

BUCKNER

HEAVYLIFT CRANES

Contents	
Sheet	Description
001	Title Page
002	Build Sheet
003	Rod Plan
004	Counterweight Arrangement
005	Hook Blocks
006	Reeving Plan – S Head
007	Reeving Plan – Aux Block
008	Reeving Plan – Derrick
009	Erection & Takedown 1
010	Erection & Takedown 2
011	Erection & Takedown 3
012	Load Chart 1
013	Load Chart 2
014	Load Chart 3
015	Load Chart 4

PROJECT: LR13000 SDB 102m

LOCATION: -----
 BUCKNER CONTACT: Dan Ives, PE
 Dani@BucknerHeavyLift.com
 LIFT PLAN BY: Dan Ives, PE
 Dani@BucknerHeavyLift.com

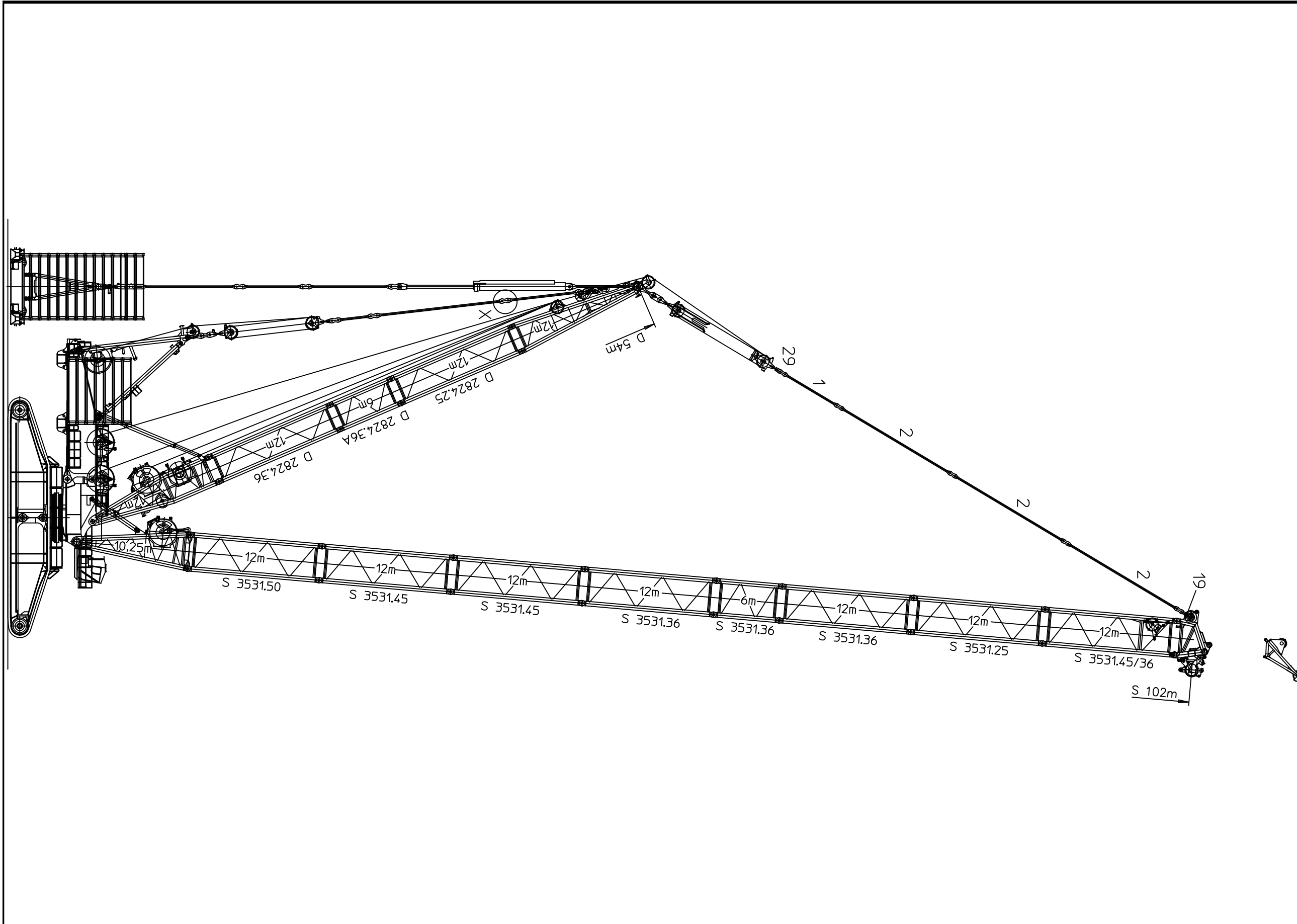
DRAWING NOTES:
 Title Page

FILE: C:\Users\Dan Ives\OneDrive – Buckner HeavyLift
 Cranes\Engineering\Drawings\BHL\Buckner\Build
 Sheets\LR 13000\LR 13000 SDB 102m (335ft).dwg
 CREATED: 11.08.2024 @ 11:28:55 AM
 EDITING TIME: 0h50m FILE SIZE: 2943.17Kb
 PAPER SIZE: ANSI B (17.00 x 11.00 Inches)
 SAVED: 11.08.2024 @ 11:28:55 AM
 PLOTTED: 11.08.2024 @ 11:28:57 AM

Revisions		
All Sheets Same Revision Level		
Rev.	Date	Description
000	11.08.2024	Preliminary Planning & Initial Layout
001	----	----
002	----	----
003	----	----
004	----	----
005	----	----
006	----	----
007	----	----
008	----	----
009	----	----
010	----	----

SHEET: 001 OF 015





PROJECT:
LR13000 SDB 102m

LOCATION: -----
BUCKNER CONTACT: Dan Ives, PE
Dani@BucknerHeavylift.com

LIFT PLAN BY: Dan Ives, PE
Dani@BucknerHeavylift.com

DRAWING NOTES:
Build Sheet

FILE: C:\Users\Dan Ives\OneDrive - Buckner Heavylift
Cranes\Engineering\Drawings\BHL\Buckner\Build
Sheets\LR 13000\LR 13000 SDB 102m (335ft).dwg
CREATED: 11.08.2024 @ 11:28:55 AM
EDITING TIME: 0h50m FILE SIZE: 2943.17Kb
PAPER SIZE: ANSI B (17.00 x 11.00 Inches)
SAVED: 11.08.2024 @ 11:28:55 AM
PLOTTED: 11.08.2024 @ 11:28:57 AM

Revisions
All Sheets Same Revision Level

Rev.	Date	Description
000	11.08.2024	Preliminary Planning & Initial Layout
001	----	----
002	----	----
003	----	----
004	----	----
005	----	----
006	----	----
007	----	----
008	----	----
009	----	----
010	----	----

SHEET: 002 OF 015



Pos.	Item	Description	Page
1	965646108	ROD CPL.	6M
2	965522908	ROD CPL.	12M
4	968244508	ROD CPL.	
5	966191408	ROD CPL.	6M
6	966377608	ROD CPL.	8.2M
7	966203408	ROD CPL.	3.55M
8	966160008	ROD CPL.	12M
19	966467008	BRACKET CPL.	1.0M
20	966593708	ROD CPL.	
21	966593808	BRACKET CPL.	
22	966594008	BRACKET CPL.	
23	966640408	ROD CPL.	
24	966093308	BRACKET CPL.	
25	966432708	BRACKET WITH BOARD	
26	965661408	BRACKET CPL.	1.20M
27	966593608	BRACKET CPL.	
28	10492950	TENSION DYNAMOMETER	0-7500KN
29	966649908	BRACKET CPL.	
1000	988623608	RODS/ PULL RODS LR 13000	F. SDB

PROJECT:
LR13000 SDB 102m

LOCATION: -----
BUCKNER CONTACT: Dan Ives, PE
Dani@BucknerHeavylift.com
LIFT PLAN BY: Dan Ives, PE
Dani@BucknerHeavylift.com

DRAWING NOTES:
Rod Plan

FILE: C:\Users\Dan Ives\OneDrive - Buckner Heavylift
Cranes\Engineering\Drawings\BHL\Buckner\Build
Sheets\LR 13000\LR 13000 SDB 102m (335ft).dwg
CREATED: 11.08.2024 @ 11:28:55 AM
EDITING TIME: 0h50m FILE SIZE: 2943.17Kb
PAPER SIZE: ANSI B (17.00 x 11.00 Inches)
SAVED: 11.08.2024 @ 11:28:55 AM
PLOTTED: 11.08.2024 @ 11:28:58 AM

Revisions

All Sheets Same Revision Level

Rev.	Date	Description
000	11.08.2024	Preliminary Planning & Initial Layout
001	----	----
002	----	----
003	----	----
004	----	----
005	----	----
006	----	----
007	----	----
008	----	----
009	----	----
010	----	----

SHEET: 003 OF 015



7.12.2021	LIEBHERR	LR 13000 (098405) RODS/ PULL RODS LR 13000 F. SDB	967146708 Page: 7
-----------	-----------------	--	----------------------

1 Crane operation with 2 hoist ropes F= 617 kN and d= 52 mm (EST1)



Note

► The total boom length can be limited depending on the reeving and the hook block weight. The basis of the noted values is crane-specific data.

Crane-specific data	
Rope diameter	52.0 mm
Rope weight	0.01350 t/m
Boom piecing	6 m
Boom length minimum	60 m
Boom length maximum	246 m
Number Hoist winches	2
Hoist rope length	2100 m
Derrick to hoist rope change over	52.5 m
Minimum height above ground	0.0 m

1.1 Hook block 1250 t / 1250 t load (2 x 5 rope pulleys)

1.1.1 Hook block weight 30.0 t to 46.0 t

Reeving	Maximum possible total boom length for following hook block weight:				
	30.0 t without auxiliary weights	34.0 t for 2 auxiliary weights	38.0 t for 4 auxiliary weights	42.0 t for 6 auxiliary weights	46.0 t for 8 auxiliary weights
2 x 11	60 m	72 m	78 m	90 m	96 m
2 x 10	72 m	78 m	90 m	96 m	108 m
2 x 9	78 m	90 m	102 m	114 m	120 m
2 x 8	90 m	102 m	114 m	126 m	138 m
2 x 7	108 m	120 m	132 m	150 m	162 m
2 x 6	126 m	144 m	162 m	180 m	192 m

1.1.2 Hook block weight 50.0 t to 62.0 t

Reeving	Maximum possible total boom length for following hook block weight:			
	50.0 t for 10 auxiliary weights	54.0 t for 12 auxiliary weights	58.0 t for 14 auxiliary weights	62.0 t for 16 auxiliary weights
2 x 11	102 m	114 m	120 m	132 m
2 x 10	120 m	126 m	138 m	144 m
2 x 9	132 m	144 m	156 m	168 m

LWE/419500-05-02/en

Reeving	Maximum possible total boom length for following hook block weight:	
	77.8 t with 1 hooks	89.1 t with 2 hooks
8	216 m	216 m
7	246 m	246 m
6	246 m	246 m
5	246 m	246 m
4	246 m	246 m
3	246 m	246 m
2	246 m	246 m
1	246 m	246 m

2 Crane operation with 1 hoist rope F= 310 kN and d= 38 mm (EST6)

2.1 Hook block 100 DM / 92 t load (1 rope pulley)

Load	Number of pulleys	Maximum reeving	Net weight without installed auxiliary weights	Net weight with installed auxiliary weights
92.0 t	1	3	3.5 t	5.5 t for 2 auxiliary weights 7.5 t for 4 auxiliary weights

2.2 Hook block 200 DM / 120 t load (3 rope pulleys)

Load	Number of pulleys	Maximum reeving	Net weight without installed auxiliary weights	Net weight with installed auxiliary weights
120.0 t	3	4	3.5 t	5.5 t for 2 auxiliary weights 7.5 t for 4 auxiliary weights 9.5 t for 6 auxiliary weights

LWE/419500-05-02/en

PROJECT:
LR13000 SDB 102m

LOCATION: -----
BUCKNER CONTACT: Dan Ives, PE
Dani@BucknerHeavyLift.com
LIFT PLAN BY: Dan Ives, PE
Dani@BucknerHeavyLift.com

DRAWING NOTES:
Hook Blocks

FILE: C:\Users\Dan Ives\OneDrive - Buckner HeavyLift\Cranes\Engineering\Drawings\BHL\Buckner\Build Sheets\LR 13000\LR 13000 SDB 102m (335ft).dwg
CREATED: 11.08.2024 @ 11:28:55 AM
EDITING TIME: 0h50m FILE SIZE: 2943.17Kb
PAPER SIZE: ANSI B (17.00 x 11.00 Inches)
SAVED: 11.08.2024 @ 11:28:55 AM
PLOTTED: 11.08.2024 @ 11:28:58 AM

Revisions

All Sheets Same Revision Level

Rev.	Date	Description
000	11.08.2024	Preliminary Planning & Initial Layout
001	----	----
002	----	----
003	----	----
004	----	----
005	----	----
006	----	----
007	----	----
008	----	----
009	----	----
010	----	----

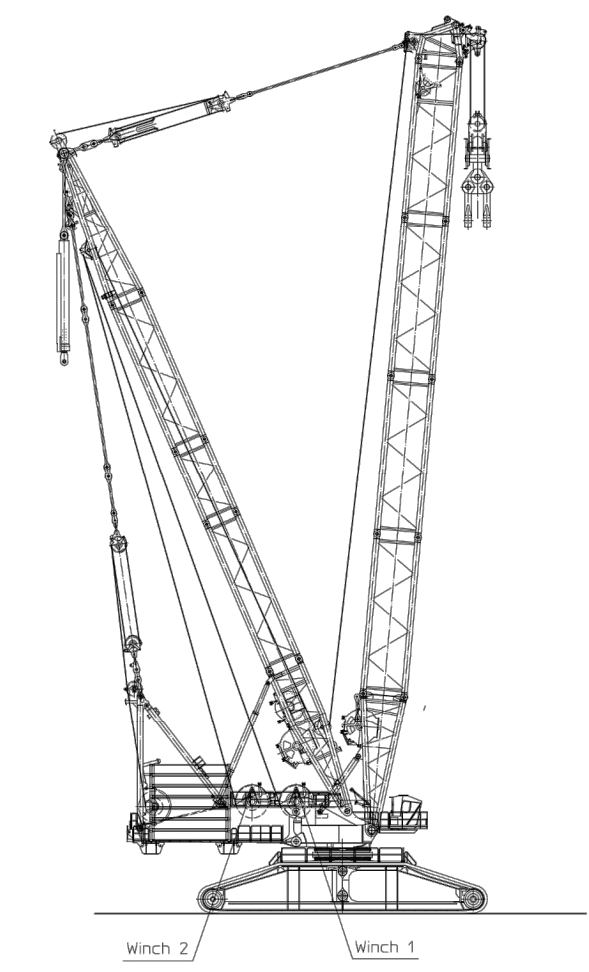
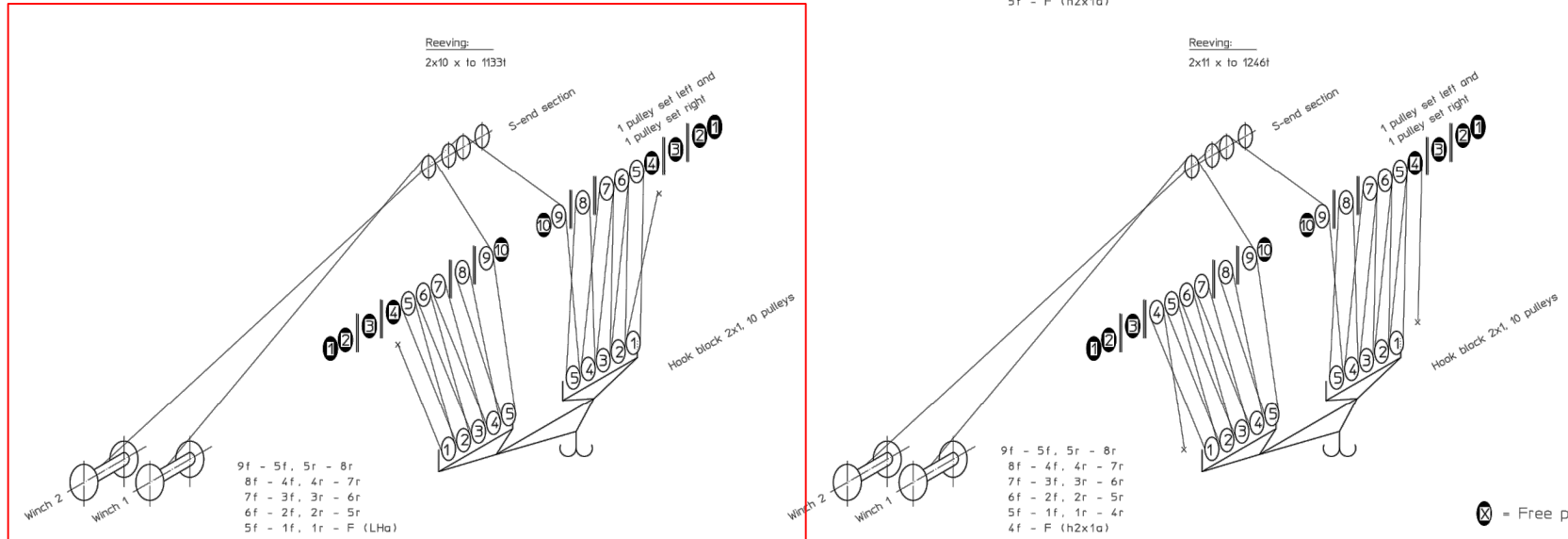
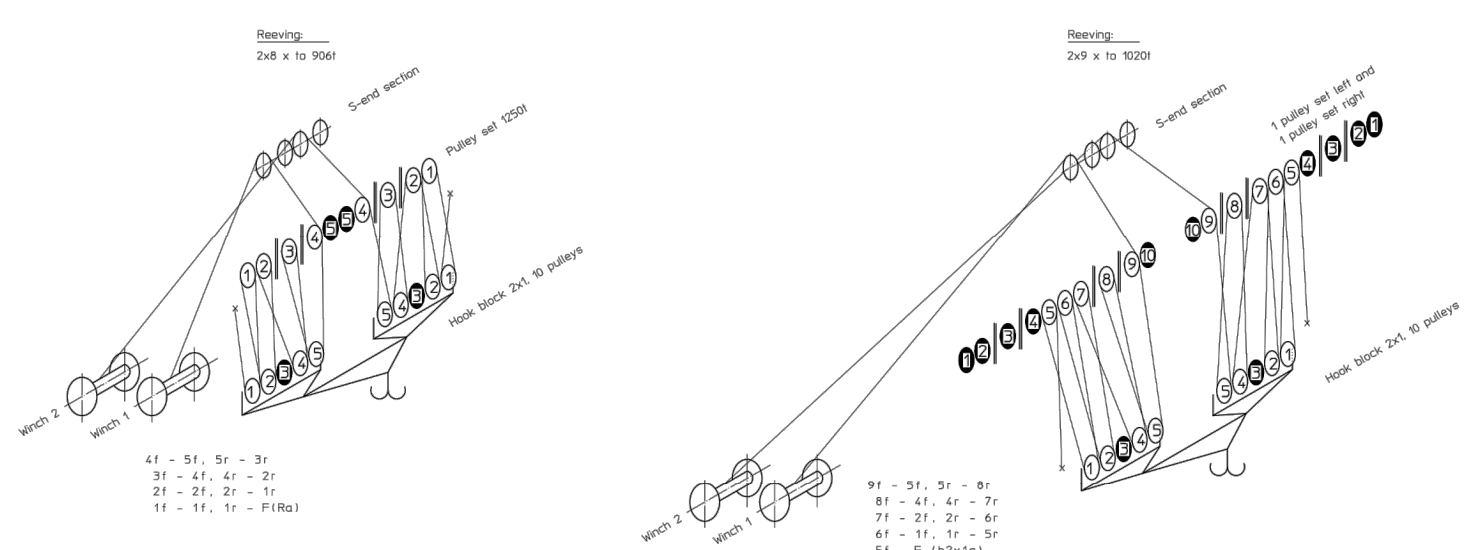
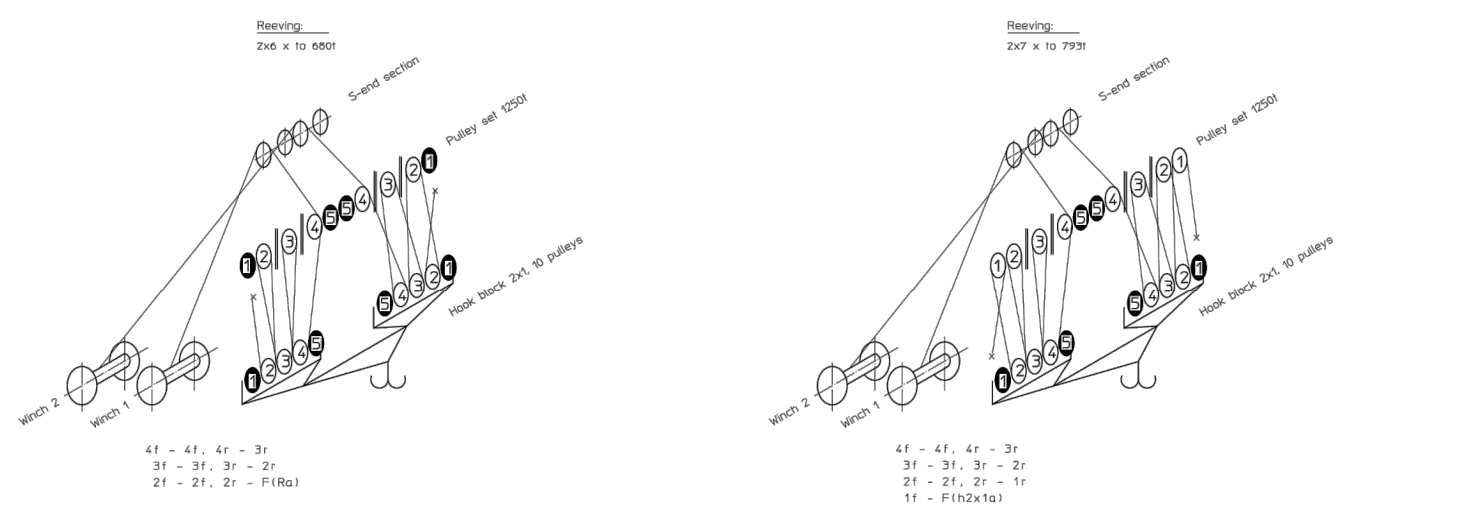
SHEET: 005 OF 015



PROJECT:
LR13000 SDB 102m

LOCATION: -----
BUCKNER CONTACT: Dan Ives, PE
Dani@BucknerHeavylift.com
LIFT PLAN BY: Dan Ives, PE
Dani@BucknerHeavylift.com

DRAWING NOTES:
Reeving Plan – S Head



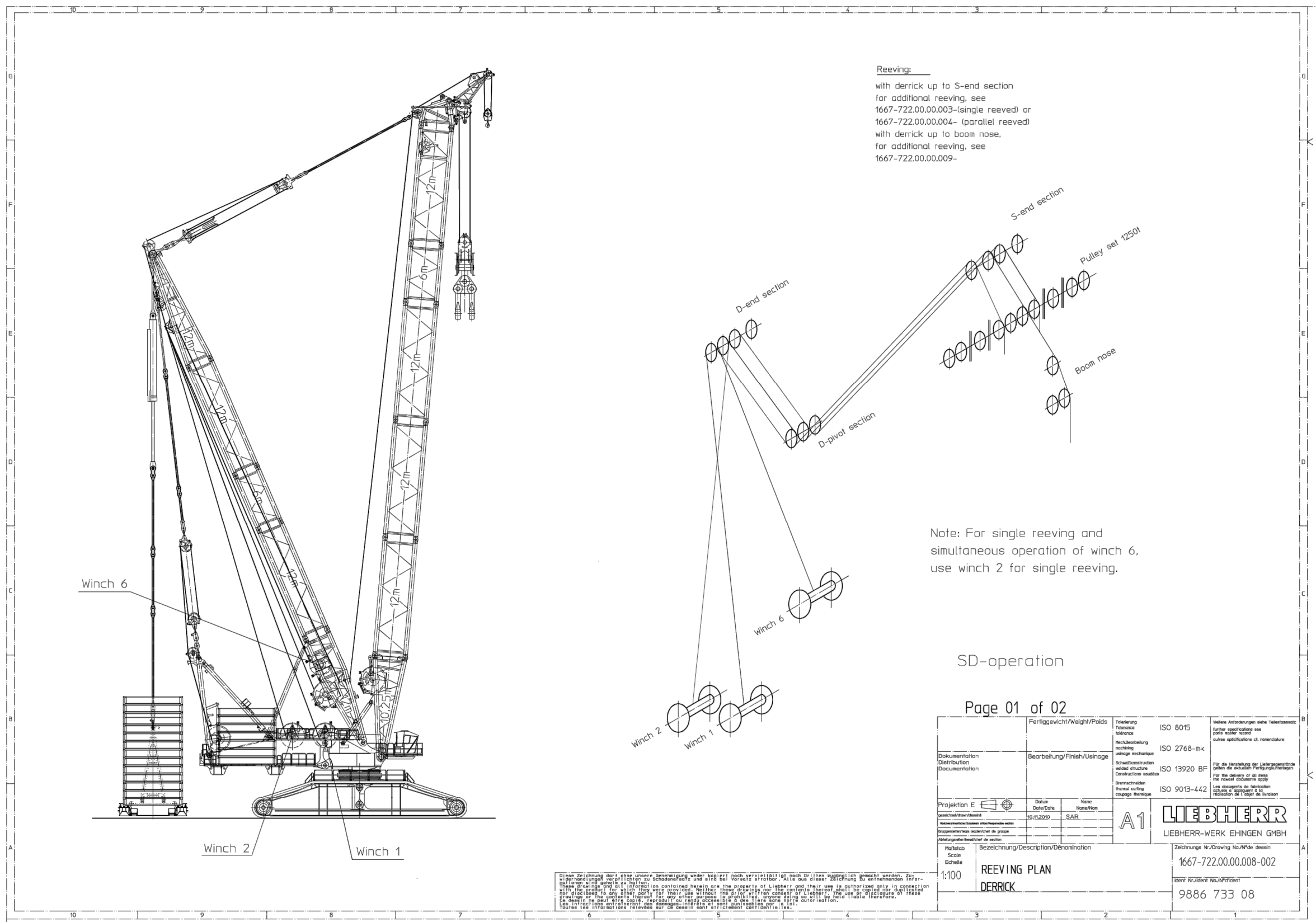
Reeving S-end section
(loads for the USA)
parallel reeved.
with left pulley set
with hook block 2x1, 10 pulleys
parallel reeved.
with pulley set left and right
with hook block 2x1, 10 pulleys

Page 01 from 06

Fertiggewicht/Weight/Poids		ISO 8015	Technische Zeichnung
Dokumentation		ISO 2768-mk	Technische Zeichnung
Dokumentation		ISO 15920 BF	Technische Zeichnung
Dokumentation		ISO 9013-442	Technische Zeichnung
Projektion E	Datum	05.02.2011	SAR
Zeichnung		A0	
Beschreibung/Description		REEVING PLAN S-HEAD PARALLEL	
Scale		1:100	
Zeichnung Nr./Drawing No./No. de dessin		1667-722.0100.004-004	
Client Nr./Client No./No. du client		9888 083 08	

Revisions		
All Sheets Same Revision Level		
Rev.	Date	Description
000	11.08.2024	Preliminary Planning & Initial Layout
001	----	----
002	----	----
003	----	----
004	----	----
005	----	----
006	----	----
007	----	----
008	----	----
009	----	----
010	----	----

SHEET: 006 OF 015
BUCKNER
HEAVYLIFT CRANES



PROJECT:
LR13000 SDB 102m

LOCATION: -----
 BUCKNER CONTACT: Dan Ives, PE
 Dani@BucknerHeavyLift.com
 LIFT PLAN BY: Dan Ives, PE
 Dani@BucknerHeavyLift.com

DRAWING NOTES:
Reeving Plan – Derrick

FILE: C:\Users\Dan Ives\OneDrive – Buckner HeavyLift\Cranes\Engineering\Drawings\BHL\Buckner\Build Sheets\LR 13000\LR 13000 SDB 102m (335ft).dwg
 CREATED: 11.08.2024 @ 11:28:55 AM
 EDITING TIME: 0h50m FILE SIZE: 2943.17Kb
 PAPER SIZE: ANSI B (17.00 x 11.00 Inches)
 SAVED: 11.08.2024 @ 11:28:55 AM
 PLOTTED: 11.08.2024 @ 11:29:01 AM

Revisions		
All Sheets Same Revision Level		
Rev.	Date	Description
000	11.08.2024	Preliminary Planning & Initial Layout
001	----	----
002	----	----
003	----	----
004	----	----
005	----	----
006	----	----
007	----	----
008	----	----
009	----	----
010	----	----

SHEET: 008 OF 015
BUCKNER
 HEAVYLIFT CRANES

**SDB – and SDB0 – operation
Derrick 54m
S-end section with 2 pulley sets without heavy load device**

TAB 195 00 001-00
Page: 1 of 6

SDB: Turntable ballast 400t / Central ballast 0t
SDB0: Turntable ballast 400t to 750t / central ballast 150t

System: S 3531.50/45/36/25
D 2824.36/25

on crawlers 17.3m x 14.0m x 2.4m

SDB/SDB0 DR 21m DBR 21m		Permissible weight of hook block [t] on main boom							
		for derrick ballast [t] for derrick radius (DR) 21m / derrick ballast radius (DBR) 21m							
		0	100	200	300	400	500	600	700
Boom length [m]	60	170	•	•	•	•	•	•	•
	66	140	180	•	•	•	•	•	•
	72	105	145	180	•	•	•	•	•
	78	80	115	150	185	•	•	•	•
	84	50	85	115	150	180	•	•	•
	90	30	60	90	120	150	180	•	•
	96	-	35	65	95	120	150	175	•
	102	-	20	45	75	100	125	155	180
	108	-	-	25	50	75	100	125	150
	114	-	-	10	35	55	80	105	130
	120	-	-	-	15	35	60	80	105
	126	-	-	-	-	20	40	65	85
132	-	-	-	-	-	20	40	60	

- Hook block weight to 200t permissible

For loads above 2154t a heavy load device is required.
If a heavy load device is installed, the weight of the heavy load device must be deducted from the permissible weight of the hook block.

LWE/19650-07-02/en

**SDB – and SDB0 – operation
Derrick 54m
S-end section with 2 pulley sets without heavy load device**

TAB 195 00 001-00
Page: 2 of 6

SDB: Turntable ballast 400t / Central ballast 0t
SDB0: Turntable ballast 400t to 750t / central ballast 150t

System: S 3531.50/45/36/25
D 2824.36/25

on crawlers 17.3m x 14.0m x 2.4m

SDB/SDB0 DR 21m DBR 21m		Permissible weight of hook block [t] on main boom							
		for derrick ballast [t] for derrick radius (DR) 21m / derrick ballast radius (DBR) 21m							
		800	900	1000	1100	1200	1300	1400	1500
Boom length [m]	60	•	•	•	•	•	•	•	•
	66	•	•	•	•	•	•	•	•
	72	•	•	•	•	•	•	•	•
	78	•	•	•	•	•	•	•	•
	84	•	•	•	•	•	•	•	•
	90	•	•	•	•	•	•	•	•
	96	•	•	•	•	•	•	•	•
	102	•	•	•	•	•	•	•	•
	108	175	•	•	•	•	•	•	•
	114	150	175	•	•	•	•	•	•
	120	125	150	170	185	•	•	•	•
	126	105	125	150	165	180	190	190	190
132	80	105	125	135	135	135	135	135	

- Hook block weight to 200t permissible

For loads above 2154t a heavy load device is required.
If a heavy load device is installed, the weight of the heavy load device must be deducted from the permissible weight of the hook block.

LWE/19650-07-02/en

PROJECT:
LR13000 SDB 102m

LOCATION: -----
BUCKNER CONTACT: Dan Ives, PE
Dani@BucknerHeavyLift.com
LIFT PLAN BY: Dan Ives, PE
Dani@BucknerHeavyLift.com

DRAWING NOTES:
Erection & Takedown 1

FILE: C:\Users\Dan Ives\OneDrive – Buckner HeavyLift
Cranes\Engineering\Drawings\BHL\Buckner\Build
Sheets\LR 13000\LR 13000 SDB 102m (335ft).dwg

CREATED: 11.08.2024 @ 11:28:55 AM
EDITING TIME: 0h50m FILE SIZE: 2943.17Kb
PAPER SIZE: ANSI B (17.00 x 11.00 Inches)
SAVED: 11.08.2024 @ 11:28:55 AM
PLOTTED: 11.08.2024 @ 11:29:02 AM

Revisions

All Sheets Same Revision Level

Rev.	Date	Description
000	11.08.2024	Preliminary Planning & Initial Layout
001	----	----
002	----	----
003	----	----
004	----	----
005	----	----
006	----	----
007	----	----
008	----	----
009	----	----
010	----	----

SHEET: 009 OF 015



SDB – and SDB0 – operation
Derrick 54m
S-end section with 2 pulley sets without heavy load device

TAB 195 00 001-00

Page: 3 of 6

SDB: Turntable ballast 400t / Central ballast 0t
SDB0: Turntable ballast 400t to 750t / central ballast 150t

System: S 3531.50/45/36/25
 D 2824.36/25

on crawlers 17.3m x 14.0m x 2.4m

SDB/SDB0 DR 25m DBR 25m		Permissible weight of hook block [t] on main boom							
		for derrick ballast [t]							
		for derrick radius (DR) 25m / derrick ballast radius (DBR) 25m							
		0	100	200	300	400	500	600	700
Boom length [m]	60	190	•	•	•	•	•	•	•
	66	150	195	•	•	•	•	•	•
	72	110	155	•	•	•	•	•	•
	78	85	125	165	•	•	•	•	•
	84	60	95	130	170	•	•	•	•
	90	35	70	105	140	175	•	•	•
	96	15	45	80	110	145	175	•	•
	102	-	30	60	90	120	150	180	•
	108	-	10	35	65	95	125	150	180
	114	-	-	20	50	75	105	130	155
	120	-	-	-	25	55	80	105	130
	126	-	-	-	15	35	60	85	110
	132	-	-	-	-	15	40	65	85

- Hook block weight to 200t permissible

For loads above 2154t a heavy load device is required.
 If a heavy load device is installed, the weight of the heavy load device must be deducted from the permissible weight of the hook block.

LWE/19550-07-02/en

SDB – and SDB0 – operation
Derrick 54m
S-end section with 2 pulley sets without heavy load device

TAB 195 00 001-00

Page: 4 of 6

SDB: Turntable ballast 400t / Central ballast 0t
SDB0: Turntable ballast 400t to 750t / central ballast 150t

System: S 3531.50/45/36/25
 D 2824.36/25

on crawlers 17.3m x 14.0m x 2.4m

SDB/SDB0 DR 25m DBR 25m		Permissible weight of hook block [t] on main boom							
		for derrick ballast [t]							
		for derrick radius (DR) 25m / derrick ballast radius (DBR) 25m							
		800	900	1000	1100	1200	1300	1400	1500
Boom length [m]	60	•	•	•	•	•	•	•	•
	66	•	•	•	•	•	•	•	•
	72	•	•	•	•	•	•	•	•
	78	•	•	•	•	•	•	•	•
	84	•	•	•	•	•	•	•	•
	90	•	•	•	•	•	•	•	•
	96	•	•	•	•	•	•	•	•
	102	•	•	•	•	•	•	•	•
	108	•	•	•	•	•	•	•	•
	114	185	•	•	•	•	•	•	•
	120	155	180	•	•	•	•	•	•
	126	135	160	170	170	170	170	170	170
	132	110	115	115	115	115	115	115	115

- Hook block weight to 200t permissible

For loads above 2154t a heavy load device is required.
 If a heavy load device is installed, the weight of the heavy load device must be deducted from the permissible weight of the hook block.

LWE/19550-07-02/en

PROJECT:
 LR13000 SDB 102m

LOCATION: -----
 BUCKNER CONTACT: Dan Ives, PE
 Dani@BucknerHeavyLift.com
 LIFT PLAN BY: Dan Ives, PE
 Dani@BucknerHeavyLift.com

DRAWING NOTES:
 Erection & Takedown 2

FILE: C:\Users\Dan Ives\OneDrive – Buckner HeavyLift
 Cranes\Engineering\Drawings\BHL\Buckner\Build
 Sheets\LR 13000\LR 13000 SDB 102m (335ft).dwg

CREATED: 11.08.2024 @ 11:28:55 AM
 EDITING TIME: 0h50m FILE SIZE: 2943.17Kb
 PAPER SIZE: ANSI B (17.00 x 11.00 Inches)
 SAVED: 11.08.2024 @ 11:28:55 AM
 PLOTTED: 11.08.2024 @ 11:29:03 AM

Revisions

All Sheets Same Revision Level

Rev.	Date	Description
000	11.08.2024	Preliminary Planning & Initial Layout
001	----	----
002	----	----
003	----	----
004	----	----
005	----	----
006	----	----
007	----	----
008	----	----
009	----	----
010	----	----

SHEET: 010 OF 015



SDB – and SDB0 – operation
Derrick 54m
S-end section with 2 pulley sets without heavy load device

TAB 195 00 001-00
 Page: 5 of 6

SDB: Turntable ballast 400t / Central ballast 0t
SDB0: Turntable ballast 400t to 750t / central ballast 150t

System: S 3531.50/45/36/25
 D 2824.36/25

on crawlers 17.3m x 14.0m x 2.4m

SDB/SDB0 DR 30m DBR 30m		Permissible weight of hook block [t] on main boom							
		for derrick ballast [t]							
		for derrick radius (DR) 30m / derrick ballast radius (DBR) 30m							
		0	100	200	300	400	500	600	700
Boom length [m]	60	•	•	•	•	•	•	•	•
	66	160	•	•	•	•	•	•	•
	72	120	175	•	•	•	•	•	•
	78	95	140	190	•	•	•	•	•
	84	65	110	155	195	•	•	•	•
	90	45	85	125	165	•	•	•	•
	96	20	60	95	135	170	•	•	•
	102	-	40	75	110	145	180	•	•
	108	-	20	55	85	120	150	185	•
	114	-	-	35	70	100	130	160	190
	120	-	-	15	45	75	105	135	160
	126	-	-	-	30	55	85	115	135
132	-	-	-	10	35	65	80	80	

- Hook block weight to 200t permissible

For loads above 2154t a heavy load device is required.
 If a heavy load device is installed, the weight of the heavy load device must be deducted from the permissible weight of the hook block.

LWE/19550-07-02/en

SDB – and SDB0 – operation
Derrick 54m
S-end section with 2 pulley sets without heavy load device

TAB 195 00 001-00
 Page: 6 of 6

SDB: Turntable ballast 400t / Central ballast 0t
SDB0: Turntable ballast 400t to 750t / central ballast 150t

System: S 3531.50/45/36/25
 D 2824.36/25

on crawlers 17.3m x 14.0m x 2.4m

SDB/SDB0 DR 30m DBR 30m		Permissible weight of hook block [t] on main boom							
		for derrick ballast [t]							
		for derrick radius (DR) 30m / derrick ballast radius (DBR) 30m							
		800	900	1000	1100	1200	1300	1400	1500
Boom length [m]	60	•	•	•	•	•	•	•	•
	66	•	•	•	•	•	•	•	•
	72	•	•	•	•	•	•	•	•
	78	•	•	•	•	•	•	•	•
	84	•	•	•	•	•	•	•	•
	90	•	•	•	•	•	•	•	•
	96	•	•	•	•	•	•	•	•
	102	•	•	•	•	•	•	•	•
	108	•	•	•	•	•	•	•	•
	114	•	•	•	•	•	•	•	•
	120	190	•	•	•	•	•	•	•
	126	135	135	135	135	135	135	135	135
132	80	80	80	80	80	80	80	80	

- Hook block weight to 200t permissible

For loads above 2154t a heavy load device is required.
 If a heavy load device is installed, the weight of the heavy load device must be deducted from the permissible weight of the hook block.

LWE/19550-07-02/en

PROJECT:
 LR13000 SDB 102m

LOCATION: -----
 BUCKNER CONTACT: Dan Ives, PE
 Dani@BucknerHeavyLift.com
 LIFT PLAN BY: Dan Ives, PE
 Dani@BucknerHeavyLift.com

DRAWING NOTES:
 Erection & Takedown 3

FILE: C:\Users\Dan Ives\OneDrive – Buckner HeavyLift
 Cranes\Engineering\Drawings\BHL\Buckner\Build
 Sheets\LR 13000\LR 13000 SDB 102m (335ft).dwg

CREATED: 11.08.2024 @ 11:28:55 AM
 EDITING TIME: 0h50m FILE SIZE: 2943.17Kb
 PAPER SIZE: ANSI B (17.00 x 11.00 Inches)
 SAVED: 11.08.2024 @ 11:28:55 AM
 PLOTTED: 11.08.2024 @ 11:29:03 AM

Revisions

All Sheets Same Revision Level

Rev.	Date	Description
000	11.08.2024	Preliminary Planning & Initial Layout
001	----	----
002	----	----
003	----	----
004	----	----
005	----	----
006	----	----
007	----	----
008	----	----
009	----	----
010	----	----

SHEET: 011 OF 015

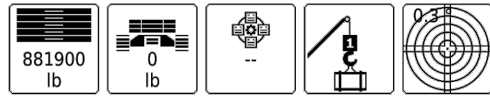


LR 13000 -- 098406

T195.002.00008

EN 13000

SDB: S-335ft D-177ft B

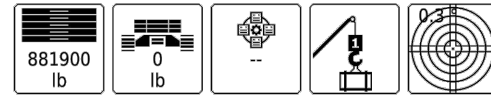


LR 13000 -- 098406

T195.002.00008

EN 13000

SDB: S-335ft D-177ft B



PROJECT: LR13000 SDB 102m

LOCATION: BUCKNER CONTACT: Dan Ives, PE Dani@BucknerHeavyLift.com LIFT PLAN BY: Dan Ives, PE Dani@BucknerHeavyLift.com

DRAWING NOTES: Load Chart 1

Table with columns for height (ft) and load capacity (x1000lb) for various crane configurations. Includes a summary row at the bottom with values like 0.0, 220.5, 440.9, etc.

Table with columns for height (ft) and load capacity (x1000lb) for various crane configurations. Includes a summary row at the bottom with values like 2645.5, 2866.0, 3086.4, etc.

FILE: C:\Users\Dan Ives\OneDrive - Buckner HeavyLift\Cranes\Engineering\Drawings\BHL\Buckner\Build Sheets\LR 13000\LR 13000 SDB 102m (335ft).dwg
CREATED: 11.08.2024 @ 11:28:55 AM
EDITING TIME: 0h50m FILE SIZE: 2943.17Kb
PAPER SIZE: ANSI B (17.00 x 11.00 Inches)
SAVED: 11.08.2024 @ 11:28:55 AM
PLOTTED: 11.08.2024 @ 11:29:04 AM

Revisions table with columns: Rev., Date, Description. Contains one entry: 000, 11.08.2024, Preliminary Planning & Initial Layout.

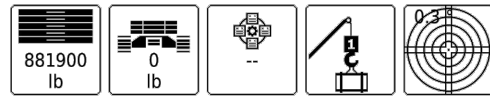
SHEET: 012 OF 015
BUCKNER HEAVYLIFT CRANES

LR 13000 -- 098406

T195.002.00008

EN 13000

SDB: S-335ft D-177ft B

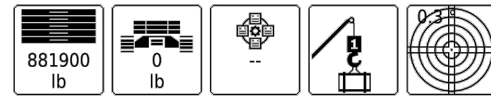


LR 13000 -- 098406

T195.002.00008

EN 13000

SDB: S-335ft D-177ft B



PROJECT: LR13000 SDB 102m

LOCATION: BUCKNER CONTACT: Dan Ives, PE DanI@BucknerHeavyLift.com LIFT PLAN BY: Dan Ives, PE DanI@BucknerHeavyLift.com

DRAWING NOTES: Load Chart 2

Table with columns for height (ft) and load capacity (x1000lb) for LR 13000 crane. Includes summary rows for x1000lb, ft, EST1, and ft/s.

Table with columns for height (ft) and load capacity (x1000lb) for LR 13000 crane. Includes summary rows for x1000lb, ft, EST1, and ft/s.

FILE: C:\Users\Dan Ives\OneDrive - Buckner HeavyLift\Cranes\Engineering\Drawings\BHL\Buckner\Build Sheets\LR 13000\LR 13000 SDB 102m (335ft).dwg
CREATED: 11.08.2024 @ 11:28:55 AM
EDITING TIME: 0h50m FILE SIZE: 2943.17Kb
PAPER SIZE: ANSI B (17.00 x 11.00 Inches)
SAVED: 11.08.2024 @ 11:28:55 AM
PLOTTED: 11.08.2024 @ 11:29:05 AM

Revisions

All Sheets Same Revision Level

Revisions table with columns: Rev., Date, Description. Includes entry 000: Preliminary Planning & Initial Layout.

SHEET: 013 OF 015



