

PROJECT:
LR 1750 SW 42m+56m

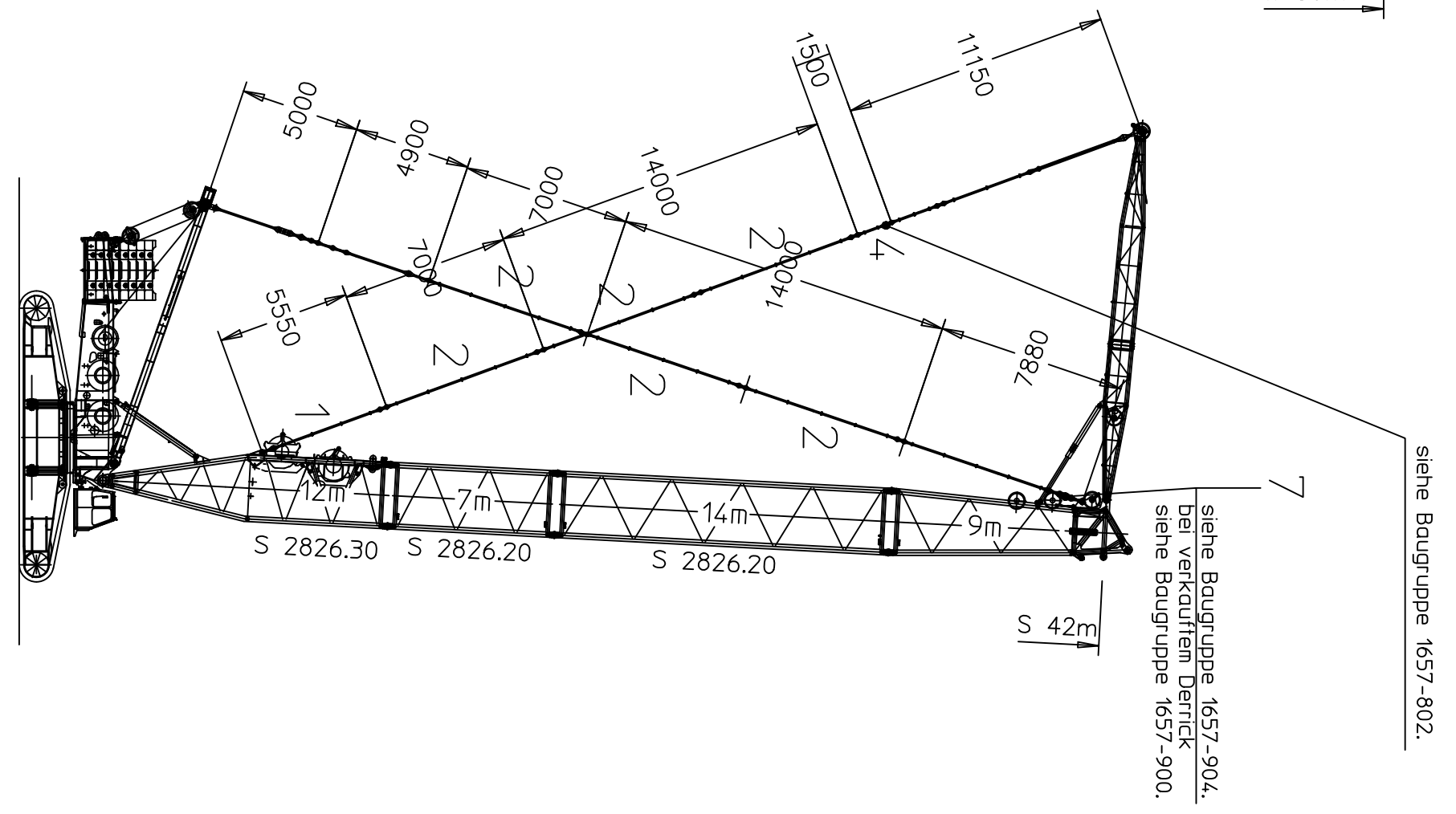
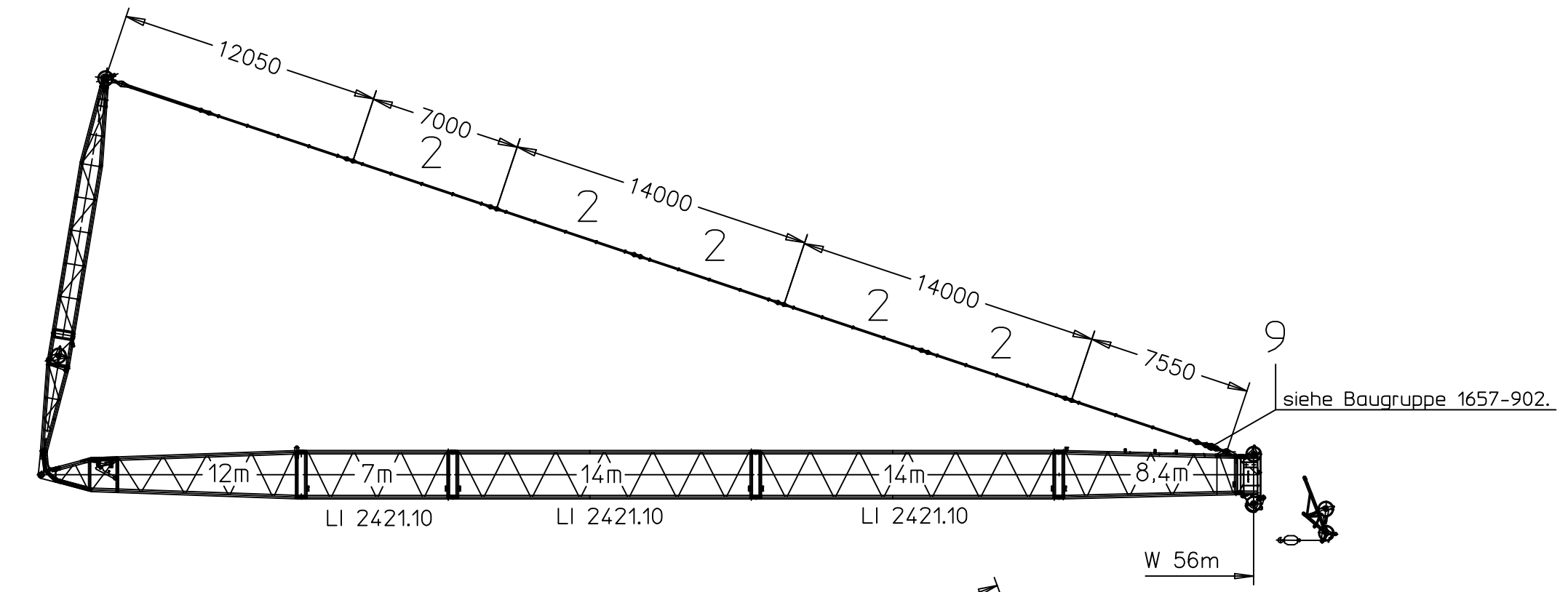
LOCATION: -----
BUCKNER CONTACT: Dan Ives, PE
Dani@BucknerCompanies.com
LIFT PLAN BY: Dan Ives, PE
Dani@BucknerCompanies.com

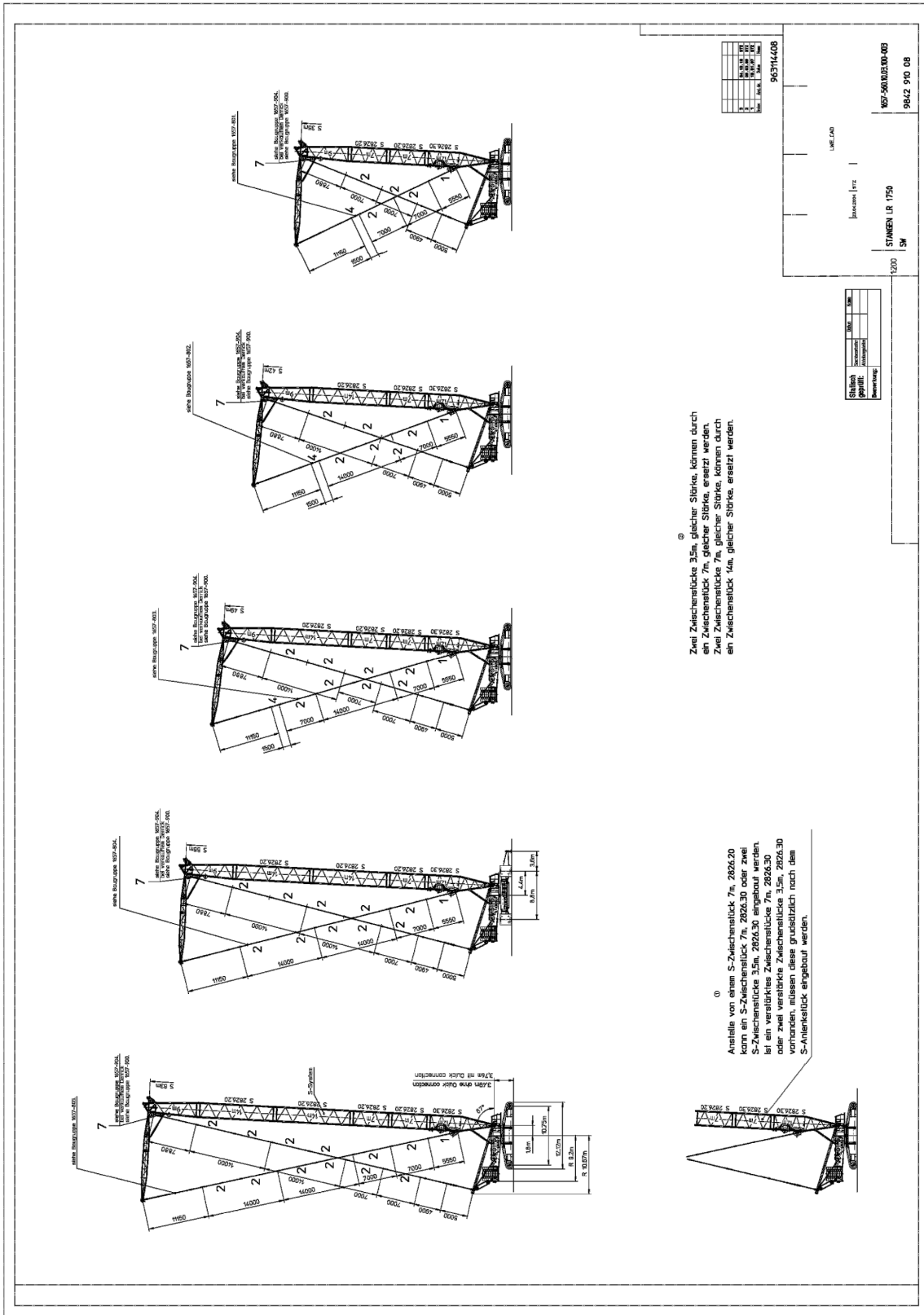
DRAWING NOTES:
Build Sheet

FILE: C:\Users\Dan Ives\OneDrive - Buckner Heavylift
Cranes\Engineering\Drawings\BHL\Buckner\Build
Sheets\LR 1750-1\LR 1750 - SW 42m + 56m (138'
CREATED: 09.03.2024 @ 8:58:47 AM
EDITING TIME: 3h30m FILE SIZE: 7235.96Kb
PAPER SIZE: ANSI B (17.00 x 11.00 Inches)
SAVED: 09.03.2024 @ 8:58:17 PM
PLOTTED: 09.03.2024 @ 8:58:22 PM

Revisions		
All Sheets Same Revision Level		
Rev.	Date	Description
000	09.03.2024	Preliminary Planning & Initial Layout
001	----	----
002	----	----
003	----	----
004	----	----
005	----	----
006	----	----
007	----	----
008	----	----
009	----	----
010	----	----

SHEET: 002 OF 008
BUCKNER
HEAVYLIFT CRANES





2.3.2011

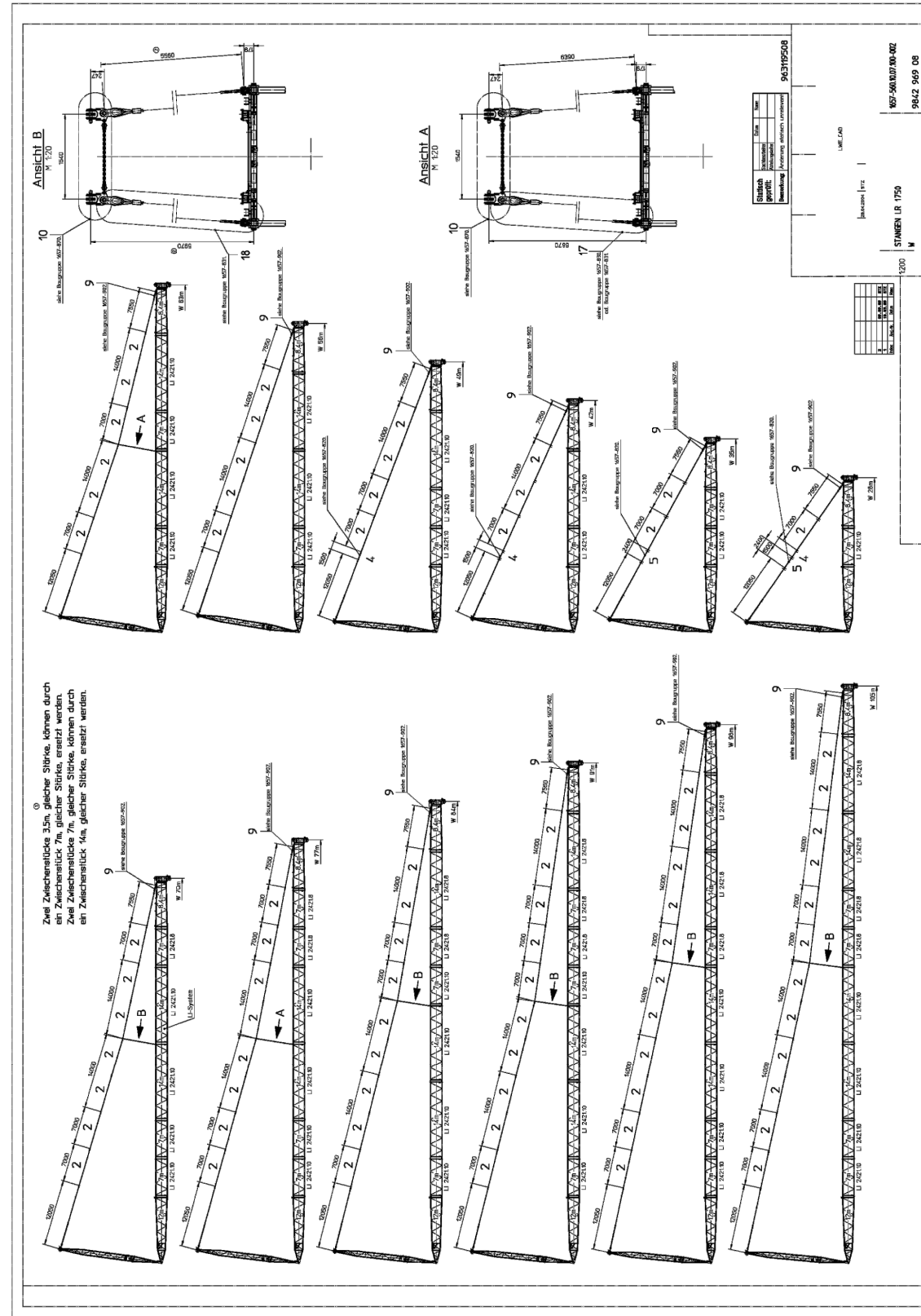
LIEBHERR

LR 1750 (074724)

STANGEN LR 1750
RODS/ PULL RODS LR 1750

963114408

Seite: 5



2.3.2011

LIEBHERR

LR 1750 (074724)

STANGEN LR 1750
RODS/ PULL RODS LR 1750

963119508

Seite: 9

PROJECT:
LR 1750 SW 42m+56m

LOCATION: -----
BUCKNER CONTACT: Dan Ives, PE
Dani@BucknerCompanies.com
LIFT PLAN BY: Dan Ives, PE
Dani@BucknerCompanies.com

DRAWING NOTES:
Rod Plan

FILE: C:\Users\Dan Ives\OneDrive - Buckner Heavylift
Cranes\Engineering\Drawings\BHL\Buckner\Build
Sheets\LR 1750-1\LR 1750 - SW 42m + 56m (138'
CREATED: 09.03.2024 @ 8:58:17 PM
EDITING TIME: 3h30m FILE SIZE: 7235.96Kb
PAPER SIZE: ANSI B (17.00 x 11.00 Inches)
SAVED: 09.03.2024 @ 8:58:17 PM
PLOTTED: 09.03.2024 @ 8:58:22 PM

Revisions

All Sheets Same Revision Level

Rev.	Date	Description
000	09.03.2024	Preliminary Planning & Initial Layout
001	----	----
002	----	----
003	----	----
004	----	----
005	----	----
006	----	----
007	----	----
008	----	----
009	----	----
010	----	----

SHEET: 003 OF 008

BUCKNER
HEAVYLIFT CRANES

PROJECT:
LR 1750 SW 42m+56m

LOCATION: -----

BUCKNER CONTACT: Dan Ives, PE
Dani@BucknerCompanies.com

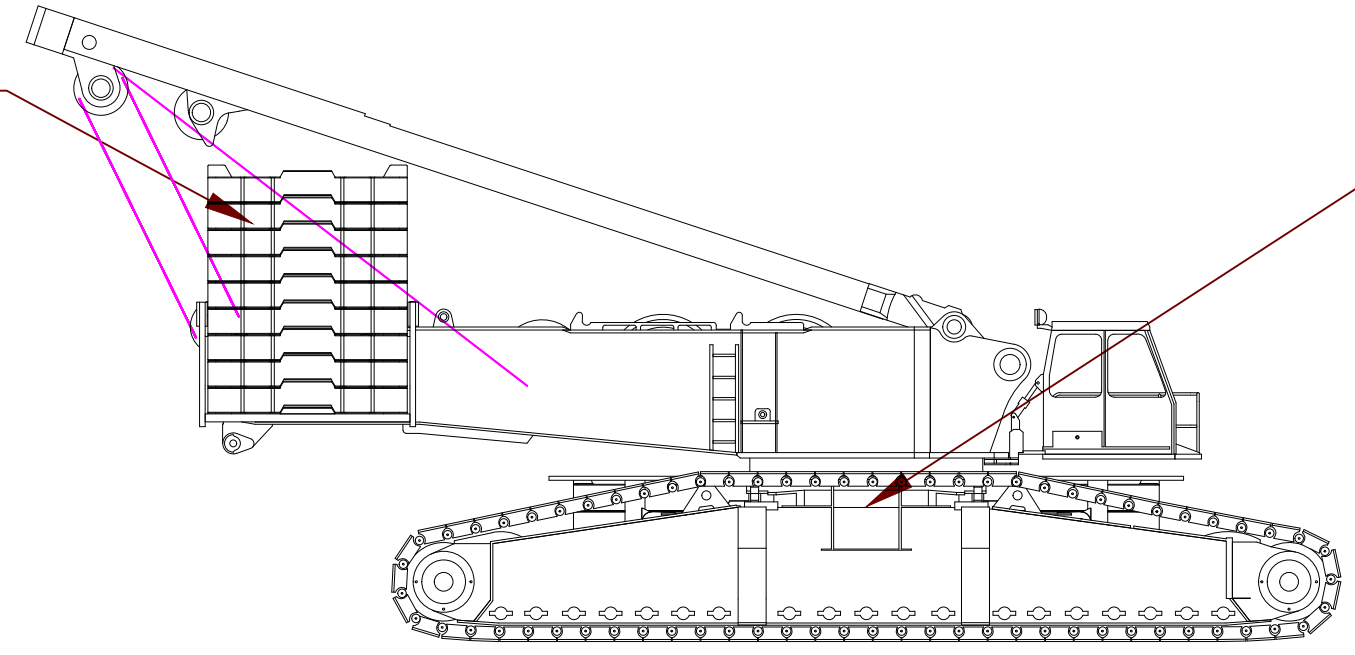
LIFT PLAN BY: Dan Ives, PE
Dani@BucknerCompanies.com

DRAWING NOTES:
Counterweight Arrangement

Superstructure
245 tonnes
18 rocks
12.5 tons each

OR
8 rocks
25 tons each
+2 rocks
12.5 tons each

Carbody
95 tonnes
6 rocks
12.5 tons each



FILE: C:\Users\Dan Ives\OneDrive - Buckner Heavylift
Cranes\Engineering\Drawings\BHL\Buckner\Build
Sheets\LR 1750-1\LR 1750 - SW 42m + 56m (138'
CREATED: 09.03.2024 @ 8:58:47 AM
EDITING TIME: 3h30m FILE SIZE: 7235.96Kb
PAPER SIZE: ANSI B (17.00 x 11.00 Inches)
SAVED: 09.03.2024 @ 8:58:17 PM
PLOTTED: 09.03.2024 @ 8:58:23 PM

Revisions		
All Sheets Same Revision Level		
Rev.	Date	Description
000	09.03.2024	Preliminary Planning & Initial Layout
001	----	----
002	----	----
003	----	----
004	----	----
005	----	----
006	----	----
007	----	----
008	----	----
009	----	----
010	----	----

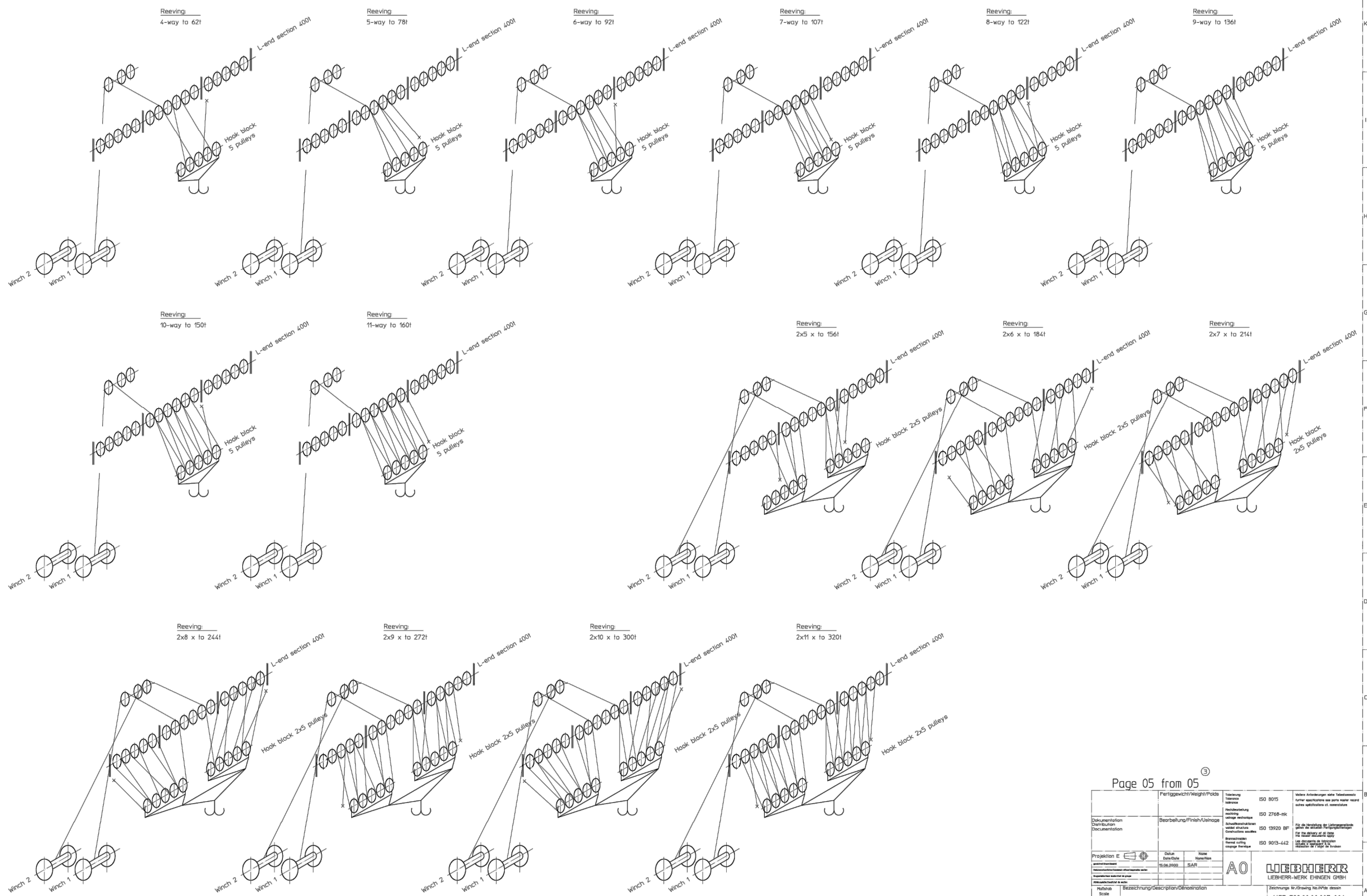
SHEET: 004 OF 008



PROJECT:
LR 1750 SW 42m+56m

LOCATION: -----
BUCKNER CONTACT: Dan Ives, PE
Dani@BucknerCompanies.com
LIFT PLAN BY: Dan Ives, PE
Dani@BucknerCompanies.com

DRAWING NOTES:
Reeving Plan – L Head



FILE: C:\Users\Dan Ives\OneDrive - Buckner Heavylift
Cranes\Engineering\Drawings\BHL\Buckner\Build
Sheets\LR 1750-1\LR 1750 - SW 42m + 56m (138'
CREATED: 09.03.2024 @ 8:58:47 AM
EDITING TIME: 3h30m FILE SIZE: 7235.96Kb
PAPER SIZE: ANSI B (17.00 x 11.00 Inches)
SAVED: 09.03.2024 @ 8:58:17 PM
PLOTTED: 09.03.2024 @ 8:58:23 PM

Revisions

All Sheets Same Revision Level

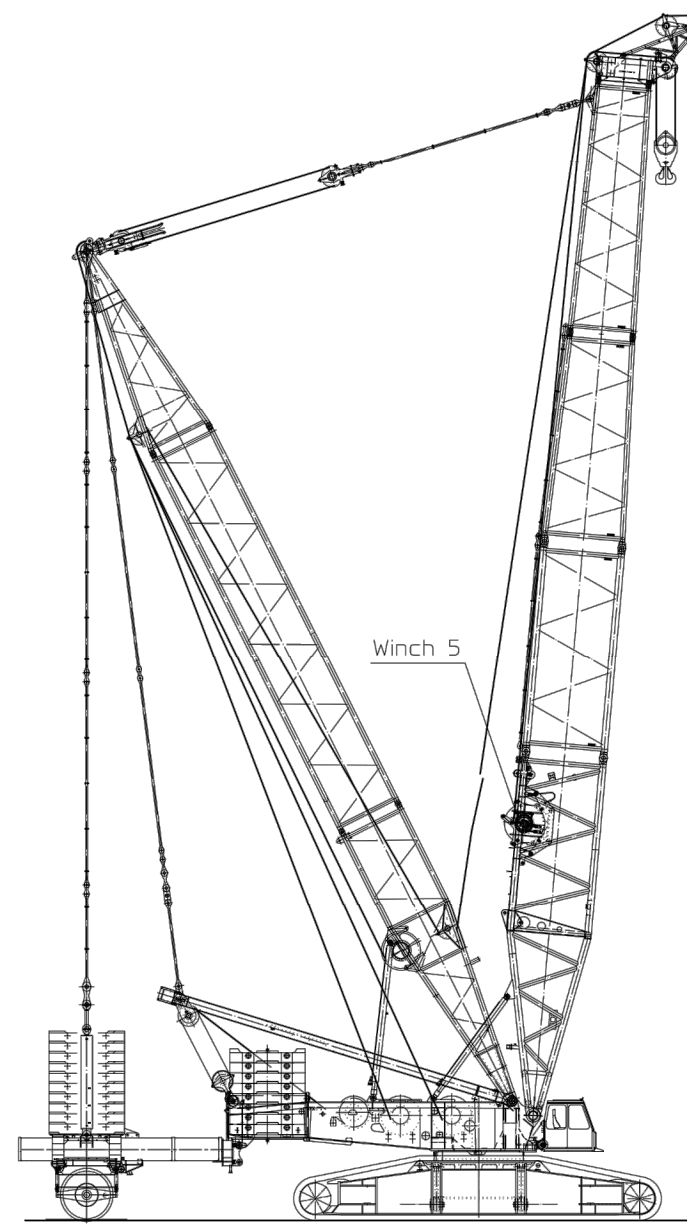
Rev.	Date	Description
000	09.03.2024	Preliminary Planning & Initial Layout
001	----	----
002	----	----
003	----	----
004	----	----
005	----	----
006	----	----
007	----	----
008	----	----
009	----	----
010	----	----

SHEET: 005 OF 008



Page 05 from 05

Dokumentation Distribution Documentation	Bearbeitung/Finish/Usinage Distribution Documentation	Fertigezeit/Height/Proof 09.03.2024 SAR	Zeichnung Name Funktion	ISO 9015 Nachzeichnung Zeichnung ISO 2768-MK ISO 13920 BP ISO 9015-442	Weitere Anforderungen siehe Technische Zeichnung Ferner spezifizieren die parts name sowie spezifizieren die dimensionen
Projektion E Datum 09.03.2024 Name SAR		Zeichnung Name Funktion		A0 LIEBHERR LIEBHERR-WERK EHINGEN GMBH	
Maßstab Scale 1:100		Bezeichnung/Description/Designation REEIVING PLAN L-HEAD		Zeichnungs-Nr./Drawing No./No. des 1657-722.00.007-006 Blatt Nr./Sheet No./No. de 9812 529 08	

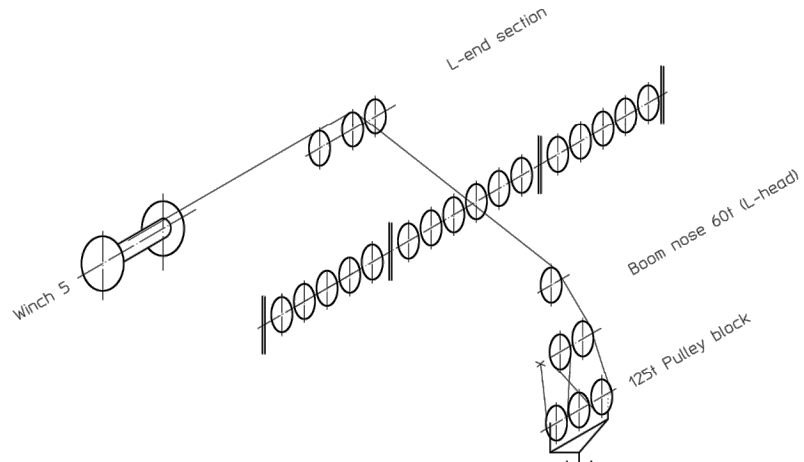
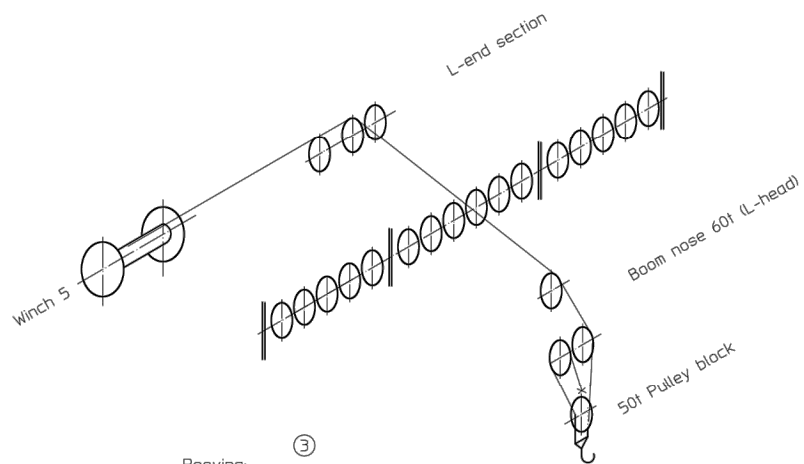
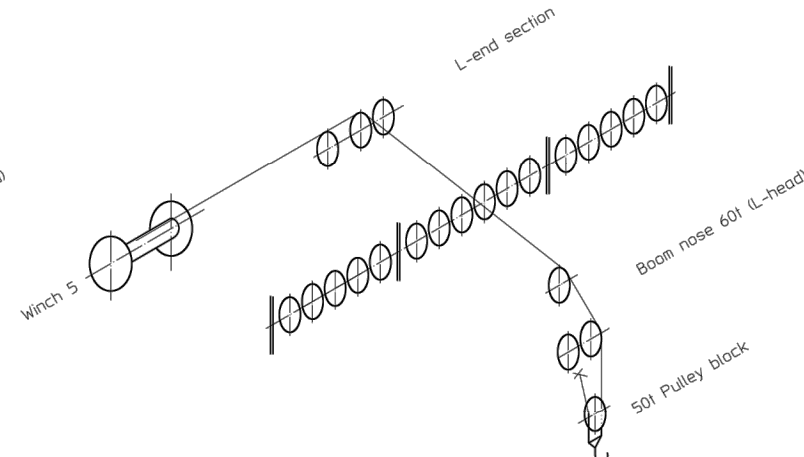
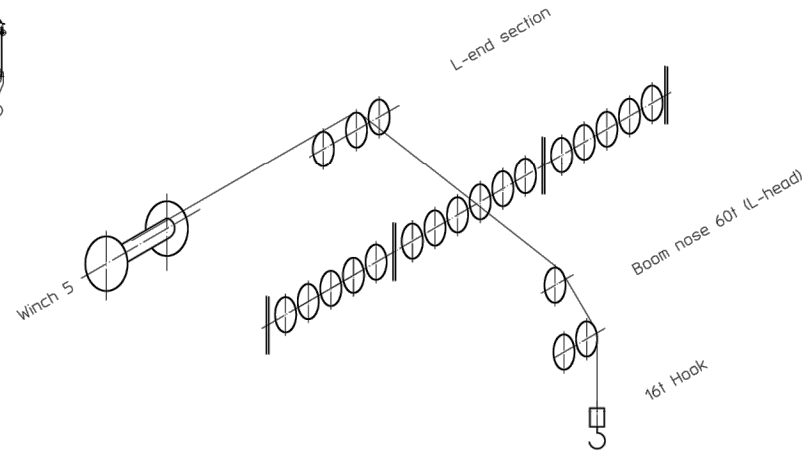


Reeving:
1-way to 16t

Reeving:
2-way to 31t ②

Reeving:
3-way to 47t

Reeving:
4-way to 60t ③



For the US, restricted load capacities apply for the following reeving.

Ropes with wire strength	
2160N/mm	1960N/mm
1-way to 15t	1-way to 14t
2-way to 30t	2-way to 29t
3-way to 45t	3-way to 44t
4-way to 60t	4-way to 58t
5-way to 75t	5-way to 73t
6-way to 90t	6-way to 88t
7-way to 105t	7-way to 102t
8-way to 120t	8-way to 117t
9-way to 135t	9-way to 132t
	10-way to 146t
	11-way to 161t
	12-way to 176t
	13-way to 190t

Reeving Boom nose 60t (L-head)

Index	Change No.	Date	Name
4	15.05.13	SAR	
3	16.02.05	SAR	
2	15.01.03	SAR	
1	12.04.02	SAR	

Diese Zeichnung darf ohne unsere Genehmigung weder kopiert noch veröffentlicht noch Dritten zugänglich gemacht werden. Zuwiderhandlungen verpflichten zu Schadenersatz und sind strafbar. Alle aus dieser Zeichnung zu entnehmenden Informationen sind geistiges Eigentum der Liebherr Group. In the product in which they were produced, all the contents thereof shall be directed to any other party for their use without the prior written consent of Liebherr. The use or disclosure of these drawings of the contents thereof for any other purpose is prohibited, anyone doing so will be held liable hereafter. Il est formellement interdit de reproduire par quelque moyen que ce soit, de divulguer à un tiers, de communiquer à des tiers, toutes les informations figurant, être lues, de ce dossier, sans la permission écrite de Liebherr. Toute violation s'exposant à une action en dommages et intérêts et même à des poursuites pénales.

Documentation Distribution	Bearbeitung/Finish/Usinage	Fertig Gewicht/Weight/Poids	Tolerierung Tolerance	ISO 8015	Weitere Anforderungen siehe Teilleistungsset
			Nachbearbeitung machining usinage mécanique	ISO 2768-mk	Kurther specifications see parts master record
			Schweißkonstruktion welded structure	ISO 13920 BF	autres applications cf. nomenclature
			Brennschneiden thermal cutting	ISO 9013-442	For the delivery of all items the newest documents apply
Projektion E	Datum Date/Date	Name Name/Name	Für die Herstellung der Liefergegenstände gelten die aktuellen Fertigungsunterlagen		
geschreibend/authoring	15.06.2000	SAR	Les documents de fabrication actuels s'appliquent à la réalisation de l'objet de livraison		
Zeichner/drawing section			For the delivery of all items the newest documents apply		
Druckverleger/printer			Les documents de fabrication actuels s'appliquent à la réalisation de l'objet de livraison		
Abteilungsleiter/head of section			For the delivery of all items the newest documents apply		
Abteilungsleiter/head of section			Les documents de fabrication actuels s'appliquent à la réalisation de l'objet de livraison		
Maßstab Scale	Bezeichnung/Description/Dénomination		Zeichnungs Nr./Drawing No./N°de dessin		
Echelle	REEVING PLAN		1657-722.00.00.002-005		
1:100	BOOM N.60T/L-HEAD		Ident Nr./Ident No./N°ident		
			9812 524 08		

PROJECT:
LR 1750 SW 42m+56m

LOCATION: -----
BUCKNER CONTACT: Dan Ives, PE
Dani@BucknerHeavylift.com
LIFT PLAN BY: Dan Ives, PE
Dani@BucknerHeavylift.com

DRAWING NOTES:
Reeving Plan – Boom Nose

FILE: C:\Users\Dan Ives\OneDrive – Buckner Heavylift\Cranes\Engineering\Drawings\BHL\Buckner\Build Sheets\LR 1750-1\LR 1750 – SW 42m + 56m (138'
CREATED: 09.03.2024 @ 8:58:47 AM
EDITING TIME: 3h30m FILE SIZE: 7235.96Kb
PAPER SIZE: ANSI B (17.00 x 11.00 Inches)
SAVED: 09.03.2024 @ 8:58:17 PM
PLOTTED: 09.03.2024 @ 8:58:26 PM

Revisions		
All Sheets Same Revision Level		
Rev.	Date	Description
000	09.03.2024	Preliminary Planning & Initial Layout
001	----	----
002	----	----
003	----	----
004	----	----
005	----	----
006	----	----
007	----	----
008	----	----
009	----	----
010	----	----

SHEET: 006 OF 008
BUCKNER
HEAVYLIFT CRANES

ERECTION AND TAKE DOWN CHARTS

SW - Operation (on crawlers)
without / with 400 t pulley set on S- head

TAB: 12800005
System: S 2826.20
W 2421.10
W 2421.8
Page 1 of 2

- A: 9,1 m x 8,8 m
Slewing platform / central ballast 245 / 95 t
- B: 9,1 m x 8,8 m; with installed supports
Slewing platform / central ballast 245 / 20 t

Erection, take down to the side with auxiliary support (support points 8,0 m before center RDV)												
Boom [m]	Permissible weight of hook block on W - boom head [t]											
	W 28	W 35	W 42	W 49	W 56	W 63	W 70	W 77	W 84	W 91	W 98	W 105
S 35	25,0	25,0	25,0	25,0	25,0	25,0	25,0	25,0	25,0	25,0	24,0	19,3
S 42	25,0	25,0	25,0	25,0	25,0	25,0	25,0	25,0	25,0	25,0	23,4	18,7
S 49	25,0	25,0	25,0	25,0	25,0	25,0	25,0	25,0	25,0	25,0	22,8	17,0
S 56	18,0	25,0	25,0	25,0	25,0	25,0	25,0	25,0	25,0	23,0	20,0	15,0
S 63	10,0	15,0	22,8	25,0	25,0							

Erection, take down 360° without auxiliary support												
Boom [m]	Permissible weight of hook block on W - boom head [t]											
	W 28	W 35	W 42	W 49	W 56	W 63	W 70	W 77	W 84	W 91	W 98	W 105
S 35	25,0	25,0	25,0	25,0	25,0	25,0	25,0	24,7	19,8	15,2	11,4	7,6
S 42	25,0	25,0	25,0	25,0	25,0	25,0	25,0	24,2	19,4	14,9	11,1	7,3
S 49	21,9	25,0	25,0	25,0	25,0	25,0	25,0	24,1	19,0	14,5	10,8	7,1
S 56	5,8	9,4	18,1	25,0	25,0	25,0	25,0					

Erection of S 56 / W 70 is only possible with **unpinned** S- head pulley set

Note: Erect operating modes SW_77° and SW_67° first as SW_87° and then luff into the corresponding position.

PROJECT:
LR 1750 SW 42m+56m

LOCATION: -----
BUCKNER CONTACT: Dan Ives, PE
Dani@BucknerCompanies.com
LIFT PLAN BY: Dan Ives, PE
Dani@BucknerCompanies.com

DRAWING NOTES:
Erection and Takedown

FILE: C:\Users\Dan Ives\OneDrive - Buckner Heavylift
Cranes\Engineering\Drawings\BHL\Buckner\Build
Sheets\LR 1750-1\LR 1750 - SW 42m + 56m (138'
CREATED: 09.03.2024 @ 8:58:47 AM
EDITING TIME: 3h30m FILE SIZE: 7235.96Kb
PAPER SIZE: ANSI B (17.00 x 11.00 Inches)
SAVED: 09.03.2024 @ 8:58:17 PM
PLOTTED: 09.03.2024 @ 8:58:27 PM

Revisions

All Sheets Same Revision Level

Rev.	Date	Description
000	09.03.2024	Preliminary Planning & Initial Layout
001	----	----
002	----	----
003	----	----
004	----	----
005	----	----
006	----	----
007	----	----
008	----	----
009	----	----
010	----	----

SHEET: 007 OF 008



