

BUCKNER

HEAVYLIFT CRANES

Contents	
Sheet	Description
001	Title Page
002	Build Sheet
003	Rod Plan
004	Counterweight Arrangement
005	Reeving Plan – Main
006	Erection and Takedown
007	Load Chart

PROJECT:
LR1400 S 49m (161')

LOCATION: -----
BUCKNER CONTACT: Dan Ives, PE
Dani@BucknerCompanies.com
LIFT PLAN BY: Dan Ives, PE
Dani@BucknerCompanies.com

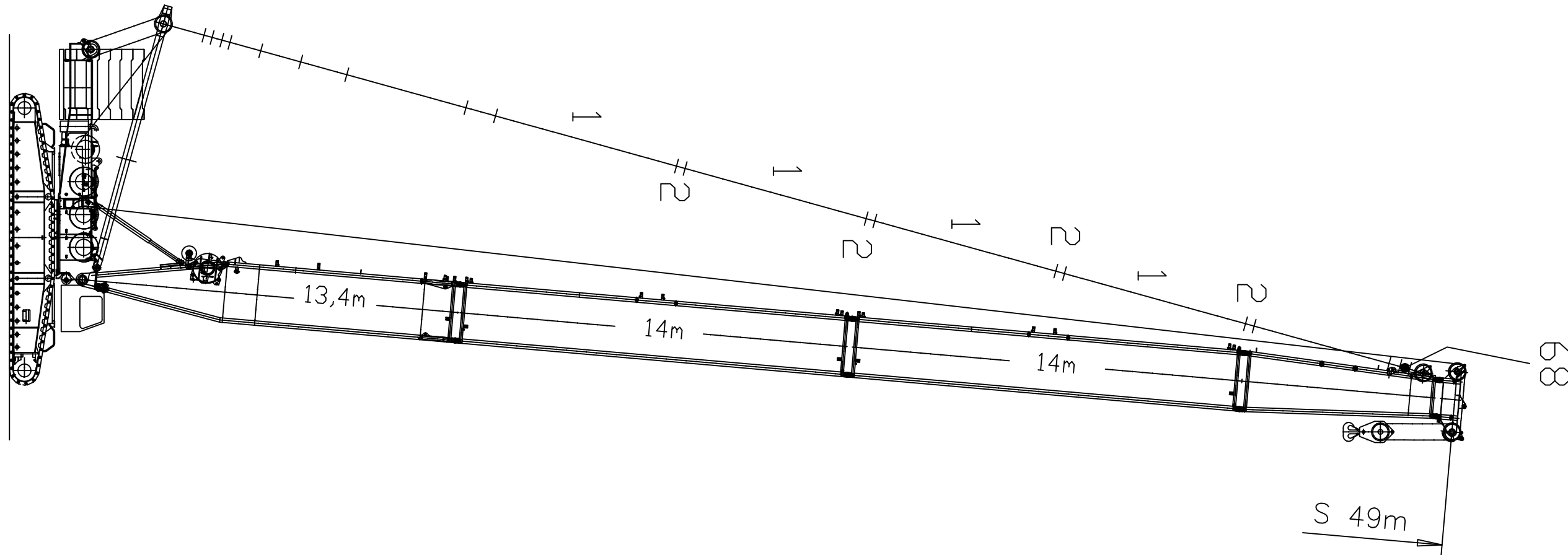
DRAWING NOTES:
Title Page

FILE: C:\Users\Dan Ives\OneDrive – Buckner Heavylift
Cranes\Engineering\Drawings\BHL\Buckner\Build
Sheets\LR 1400\LR 1400 – S 49m (161') – 43t +
CREATED: 10.10.2024 @ 5:46:45 AM
EDITING TIME: 6h35m FILE SIZE: 3278.29Kb
PAPER SIZE: ANSI B (17.00 x 11.00 Inches)
SAVED: 10.31.2024 @ 11:48:11 AM
PLOTTED: 10.31.2024 @ 11:48:14 AM

Revisions		
All Sheets Same Revision Level		
Rev.	Date	Description
000	10.31.2024	Preliminary Planning & Initial Layout
001	----	----
002	----	----
003	----	----
004	----	----
005	----	----
006	----	----
007	----	----
008	----	----
009	----	----
010	----	----

SHEET: 001 OF 007





PROJECT:
LR1400 S 49m (161')

LOCATION: -----
BUCKNER CONTACT: Dan Ives, PE
Dani@BucknerCompanies.com
LIFT PLAN BY: Dan Ives, PE
Dani@BucknerCompanies.com

DRAWING NOTES:
Build Sheet

FILE: C:\Users\Dan Ives\OneDrive - Buckner Heavylift
Cranes\Engineering\Drawings\BHL\Buckner\Build
Sheets\LR 1400\LR 1400 - S 49m (161') - 43t +
CREATED: 10.10.2024 05:43:45 AM
EDITING TIME: 6h35m FILE SIZE: 3278.29Kb
PAPER SIZE: ANSI B (17.00 x 11.00 Inches)
SAVED: 10.31.2024 11:48:11 AM
PLOTTED: 10.31.2024 11:48:15 AM

Revisions

All Sheets Same Revision Level

Rev.	Date	Description
000	10.31.2024	Preliminary Planning & Initial Layout
001	----	----
002	----	----
003	----	----
004	----	----
005	----	----
006	----	----
007	----	----
008	----	----
009	----	----
010	----	----

SHEET: 002 OF 007



Pos.	Item	Quantity	Description	Bezeichnung	Serie	K
1	96 34 978 08	30	ROD WITH BOARD	STANGE MIT SCHILD		
(1)	95 43 721 08	1	ROD 40X6896X174	STANGE		
(2)	97 35 676 08	1	PLATE IDENTIFICATION NUMBER IDENT-NR	SCHILD IDENTNR.		
2	92 51 733 08	38	BRACKET COMPL. 0.320M	LASCHE KPL.		
3	96 34 935 08	2	ROD	STANGE		
(1)	95 43 738 08	1	ROD 35X6886X139	STANGE		
(2)	97 35 676 08	1	PLATE IDENTIFICATION NUMBER IDENT-NR	SCHILD IDENTNR.		
4	92 51 730 08	4	BRACKET COMPL. 0.295M	LASCHE KPL.		
16	92 13 444 08	2	ROD CPL. 0.900M	STANGE KPL.		
25	95 43 835 08	82	PIN RD65X190 35NI	BOLZEN		
27	92 11 375 08	1	ROD CPL.	STANGE KPL.		
28	95 43 857 08	10	PIN RD55X170 35NI	BOLZEN		
29	43 31 050 08	101	RETAINING SPRING 6 A3C	SICHERUNGSFEDER		
32	92 11 296 08	1	ROD CPL.	STANGE KPL.		
			→ 3 560 101 92 11 296 08			
37	96 28 317 08	2	ROD CPL. 6.705M	STANGE KPL.		
			→ 3 655 306 96 28 317 08			
38	96 28 318 08	4	BRACKET COMPL. 0.295M	LASCHE KPL.		
			→ 3 655 308 96 28 318 08			
39	96 28 319 08	1	ROD CPL. 6.850M	STANGE KPL.		
			→ 3 655 307 96 28 319 08			
40	96 28 320 08	1	ROD CPL. 6.560M	STANGE KPL.		
			→ 3 655 305 96 28 320 08			
44	94 83 596 08	10	PIN RD54X235 35NICRMOV125	BOLZEN		
52	96 34 901 08	4	ROD WITH BOARD	STANGE MIT SCHILD		
(1)	95 46 778 08	1	ROD 40X3391X174	STANGE		
(2)	97 35 676 08	1	PLATE IDENTIFICATION NUMBER IDENT-NR	SCHILD IDENTNR.		
82	92 14 254 08	2	ROD WITH BOARD 1.380M	STANGE MIT SCHILD		
83	92 14 255 08	2	ROD CPL. 0.530M	STANGE KPL.		
98	92 11 252 08	1	CROSS-MEMBER	TRAVERSE SCHWK.		
103	97 00 790 08	1	PIN 85x310	BOLZEN		
104	92 11 373 08	2	ROD CPL.	STANGE KPL.		
105	96 30 043 08	2	ROD CPL. 6.08M	STANGE KPL.		
			→ 3 560 103 96 30 043 08			
106	43 30 103 08	2	SPLIT PIN DIN 94 10X80 ST VERZ.	SPLINT		
107	96 37 435 08	2	ROD WITH BOARD 5.805M	STANGE MIT SCHILD		
108	96 37 440 08	2	ROD CPL. 1.675M	STANGE KPL.		

12.3.2008	etk_en_de_074340 LR 1400/2	<input type="checkbox"/> 400 (4/4)
LIEBHERR	RODS / PULL RODS STANGEN	→ 3 561 91 52 552 08

Untitled (26).max

PROJECT:
LR1400 S 49m (161')

LOCATION: -----
BUCKNER CONTACT: Dan Ives, PE
Dani@BucknerCompanies.com
LIFT PLAN BY: Dan Ives, PE
Dani@BucknerCompanies.com

DRAWING NOTES:
Rod Plan

FILE: C:\Users\Dan Ives\OneDrive - Buckner Heavylift
Cranes\Engineering\Drawings\BHL\Buckner\Build
Sheets\LR 1400\LR 1400 - S 49m (161') - 43t +
CREATED: 10.10.2024 05:46:45
EDITING TIME: 6h35m FILE SIZE: 3278.29Kb
PAPER SIZE: ANSI B (17.00 x 11.00 Inches)
SAVED: 10.31.2024 @ 11:48:11 AM
PLOTTED: 10.31.2024 @ 11:48:15 AM

Revisions

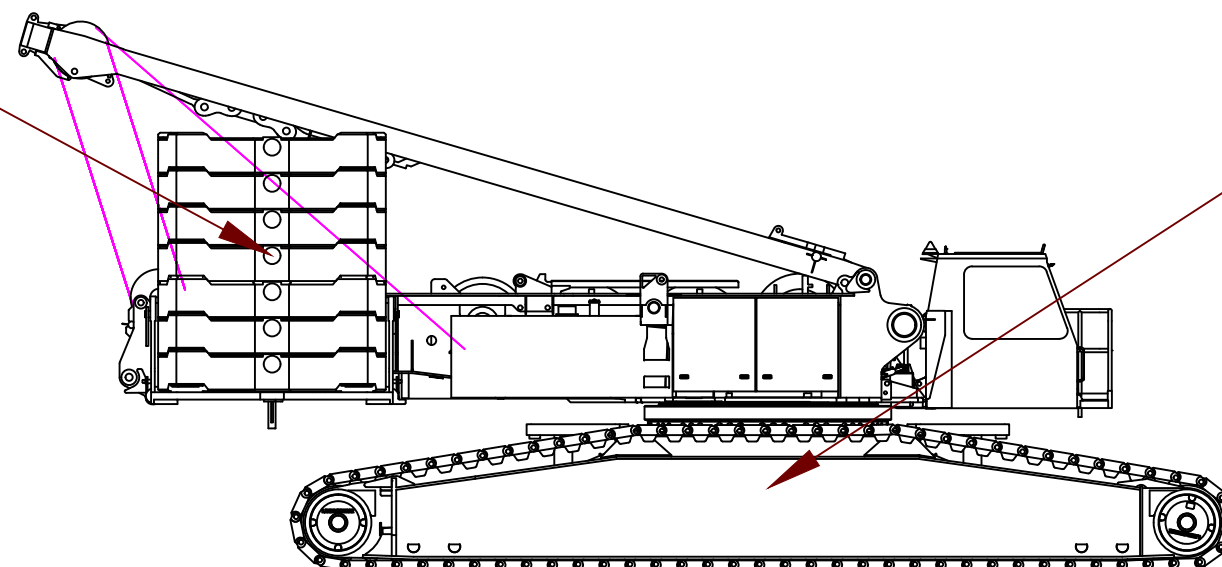
All Sheets Same Revision Level

Rev.	Date	Description
000	10.31.2024	Preliminary Planning & Initial Layout
001	----	----
002	----	----
003	----	----
004	----	----
005	----	----
006	----	----
007	----	----
008	----	----
009	----	----
010	----	----

SHEET: 003 OF 007



Superstructure
 155 tonnes
 14 rocks
 10 tons each



Carbody
 43 tonnes

PROJECT:
 LR1400 S 49m (161')

LOCATION: -----
 BUCKNER CONTACT: Dan Ives, PE
 Dani@BucknerCompanies.com

LIFT PLAN BY: Dan Ives, PE
 Dani@BucknerCompanies.com

DRAWING NOTES:
 Counterweight Arrangement

FILE: C:\Users\Dan Ives\OneDrive - Buckner Heavylift
 Cranes\Engineering\Drawings\BHL\Buckner\Build
 Sheets\LR 1400\LR 1400 - S 49m (161') - 43t +
 CREATED: 10.10.2024 @ 11:45 AM
 EDITING TIME: 6h35m FILE SIZE: 3278.29Kb
 PAPER SIZE: ANSI B (17.00 x 11.00 Inches)
 SAVED: 10.31.2024 @ 11:48:11 AM
 PLOTTED: 10.31.2024 @ 11:48:16 AM

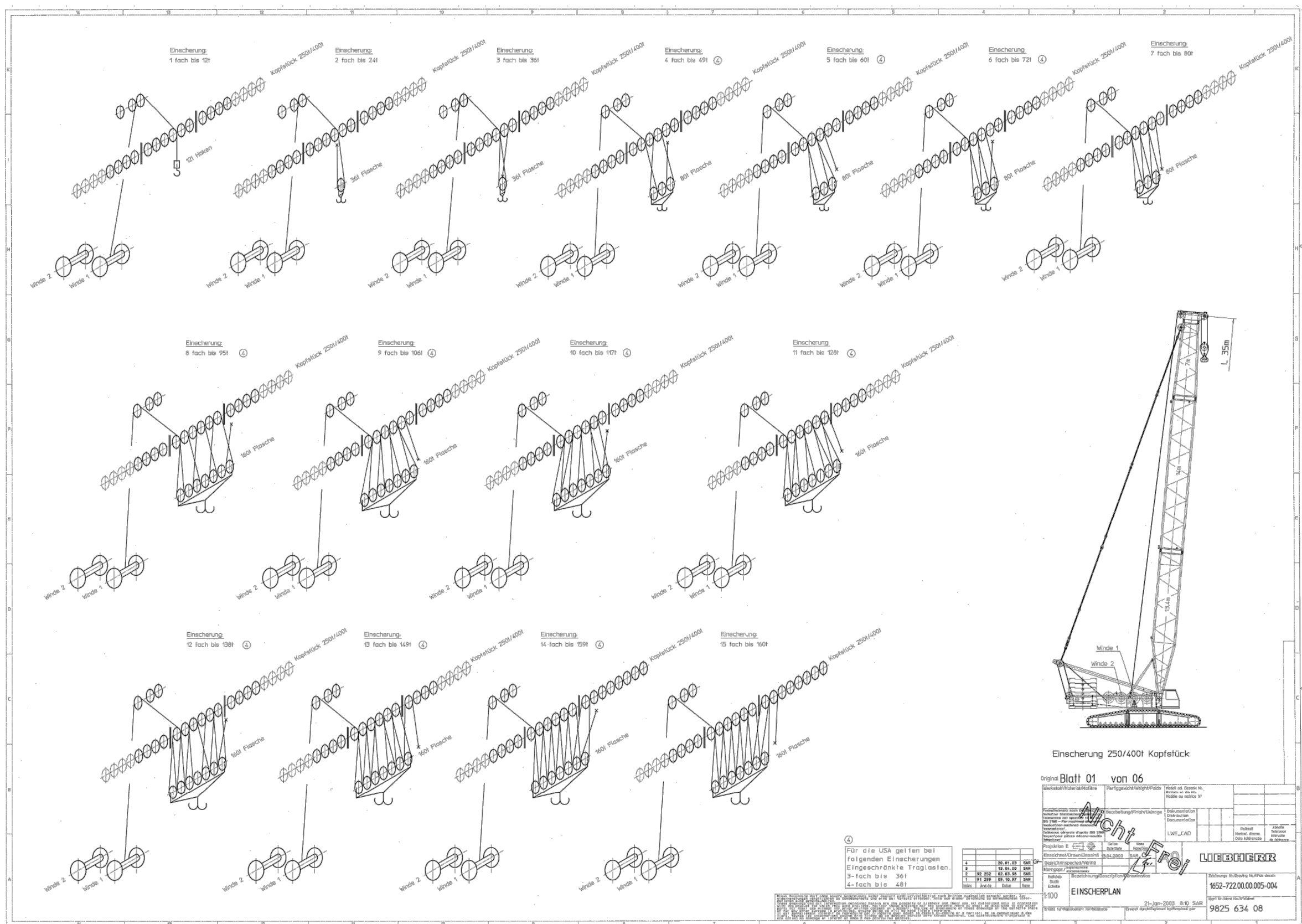
Revisions

All Sheets Same Revision Level

Rev.	Date	Description
000	10.31.2024	Preliminary Planning & Initial Layout
001	----	----
002	----	----
003	----	----
004	----	----
005	----	----
006	----	----
007	----	----
008	----	----
009	----	----
010	----	----

SHEET: 004 OF 007





PROJECT:
 LR1400 S 49m (161')

LOCATION: -----

BUCKNER CONTACT: Dan Ives, PE
 Dani@BucknerCompanies.com

LIFT PLAN BY: Dan Ives, PE
 Dani@BucknerCompanies.com

DRAWING NOTES:
 Reeving Plan – Main

FILE: C:\Users\Dan Ives\OneDrive – Buckner Heavylift
 Cranes\Engineering\Drawings\BHL\Buckner\Build
 Sheets\LR 1400\LR 1400 – S 49m (161') – 43t +

CREATED: 10.10.2024 05:43:45 AM
 EDITING TIME: 6h35m FILE SIZE: 3278.29Kb

PAPER SIZE: ANSI B (17.00 x 11.00 Inches)

SAVED: 10.31.2024 11:48:11 AM

PLOTTED: 10.31.2024 11:48:16 AM

Revisions		
All Sheets Same Revision Level		
Rev.	Date	Description
000	10.31.2024	Preliminary Planning & Initial Layout
001	----	----
002	----	----
003	----	----
004	----	----
005	----	----
006	----	----
007	----	----
008	----	----
009	----	----
010	----	----

SHEET: 005 OF 007

BUCKNER
 HEAVYLIFT CRANES

RAISING - AND LOWERING CHARTS

S - mode
with 250 / 350 t head section

TAB: 12400014
System: S 2620.20

Note: raising, lowering 360°
Supporting base 7,80 m×7,50 m×1,20 m, **without** additional supports

Operating mode	Slewing platform- / central ballast [t] / [t]	Main boom	max. permissible hook block weight on main boom [t]
		S (m)	
S	155 / 43	21 - 63	8,0
		70	7,2
		77	3,6
	135 / 43	21 - 63	8,0
		70	5,0
		77	1,5
	95 / 43	21 - 49	8,0
		56	7,6
		63	3,9
55 / 43	21 - 42	8,0	
	49	5,8	
	56	2,0	
0 / 43	21 - 28	8,0	
	35	3,5	
95 / 11	21 - 49	8,0	
	56	5,9	
	63	2,4	
55 / 11	21 - 35	8,0	
	42	7,8	
	49	3,8	
0 / 11	21	8,0	
	28	4,6	

PROJECT:
LR1400 S 49m (161')

LOCATION: -----
BUCKNER CONTACT: Dan Ives, PE
Dani@BucknerCompanies.com
LIFT PLAN BY: Dan Ives, PE
Dani@BucknerCompanies.com

DRAWING NOTES:
Erection and Takedown

FILE: C:\Users\Dan Ives\OneDrive - Buckner Heavylift
Cranes\Engineering\Drawings\BHL\Buckner\Build
Sheets\LR 1400\LR 1400 - S 49m (161') - 43t +
CREATED: 10.10.2024 @ 15:46:46
EDITING TIME: 6h35m FILE SIZE: 3278.29Kb
PAPER SIZE: ANSI B (17.00 x 11.00 Inches)
SAVED: 10.31.2024 @ 11:48:11 AM
PLOTTED: 10.31.2024 @ 11:48:18 AM

Revisions		
All Sheets Same Revision Level		
Rev.	Date	Description
000	10.31.2024	Preliminary Planning & Initial Layout
001	----	----
002	----	----
003	----	----
004	----	----
005	----	----
006	----	----
007	----	----
008	----	----
009	----	----
010	----	----

SHEET: 006 OF 007



ISO DIN

S	--
161 ft	

074414

*** 056 06.01

ft > < x 1000 lb		CODE >0029<		L124 7400	
ft	161				
28	474.0				
30	443.0				
32	417.0				
34	392.0				
36	370.0				
38	350.0				
40	331.0				
45	291.0				
50	259.0				
55	232.0				
60	209.0				
65	188.0				
70	169.0				
75	153.0				
80	140.0				
85	128.0				
90	118.0				
95	109.0				
100	101.0				
105	94.0				
110	87.5				
115	82.0				
120	77.0				
125	72.5				
130	68.0				
135	64.5				
140	61.0				
* n *	20				
ft/s	42				

	S	--	342,000 lbs	95,000 lbs			
	161 ft						

PROJECT:
LR1400 S 49m (161')

LOCATION: -----
BUCKNER CONTACT: Dan Ives, PE
Dani@BucknerCompanies.com
LIFT PLAN BY: Dan Ives, PE
Dani@BucknerCompanies.com

DRAWING NOTES:
Load Chart

FILE: C:\Users\Dan Ives\OneDrive - Buckner Heavylift
Cranes\Engineering\Drawings\BHL\Buckner\Build
Sheets\LR 1400\LR 1400 - S 49m (161') - 43t +
CREATED: 10.10.2024 @ 10:45 AM
EDITING TIME: 6h35m FILE SIZE: 3278.29Kb
PAPER SIZE: ANSI B (17.00 x 11.00 Inches)
SAVED: 10.31.2024 @ 11:48:11 AM
PLOTTED: 10.31.2024 @ 11:48:19 AM

Revisions		
All Sheets Same Revision Level		
Rev.	Date	Description
000	10.31.2024	Preliminary Planning & Initial Layout
001	----	----
002	----	----
003	----	----
004	----	----
005	----	----
006	----	----
007	----	----
008	----	----
009	----	----
010	----	----

SHEET: 007 OF 007

