

# BUCKNER

## HEAVYLIFT CRANES

Contents	
Sheet	Description
001	Title Page
002	Build Sheet
003	Rod Plan
004	Counterweight Arrangement
005	Reeving Plan – Main
006	Reeving Plan – Aux.
007	Erection and Takedown
008	Load Chart

PROJECT:  
LR1400 S 49m (161')

LOCATION: -----  
BUCKNER CONTACT: Dan Ives, PE  
Dani@BucknerCompanies.com  
LIFT PLAN BY: Dan Ives, PE  
Dani@BucknerCompanies.com

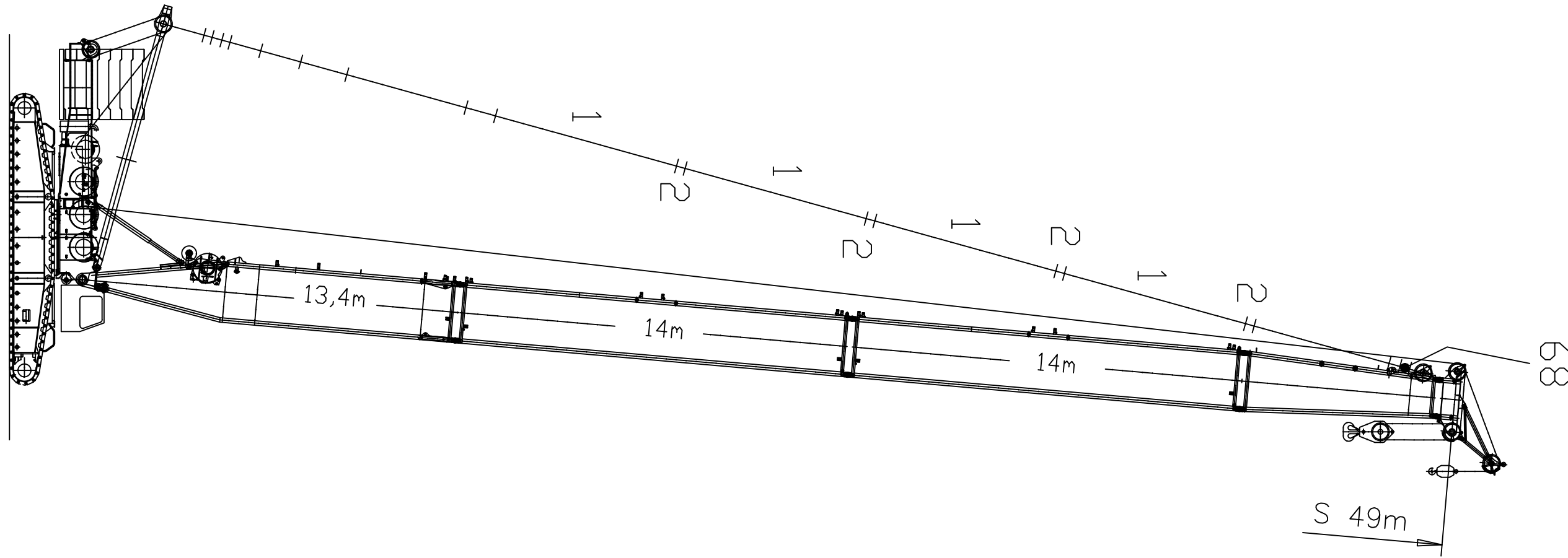
DRAWING NOTES:  
Title Page

FILE: C:\Users\Dan Ives\OneDrive – Buckner Heavylift  
Cranes\Engineering\Drawings\BHL\Buckner\Build  
Sheets\LR 1400\LR 1400 – S 49m (161') – 43t +  
CREATED: 10.10.2024 @ 10:56:33 AM  
EDITING TIME: 6h32m FILE SIZE: 3311.59Kb  
PAPER SIZE: ANSI B (17.00 x 11.00 Inches)  
SAVED: 10.10.2024 @ 10:56:31 AM  
PLOTTED: 10.10.2024 @ 10:56:33 AM

Revisions		
All Sheets Same Revision Level		
Rev.	Date	Description
000	10.10.2024	Preliminary Planning & Initial Layout
001	----	----
002	----	----
003	----	----
004	----	----
005	----	----
006	----	----
007	----	----
008	----	----
009	----	----
010	----	----

SHEET: 001 OF 008





PROJECT:  
LR1400 S 49m (161')

LOCATION: -----  
BUCKNER CONTACT: Dan Ives, PE  
Dani@BucknerCompanies.com  
LIFT PLAN BY: Dan Ives, PE  
Dani@BucknerCompanies.com

DRAWING NOTES:  
Build Sheet

FILE: C:\Users\Dan Ives\OneDrive - Buckner Heavylift  
Cranes\Engineering\Drawings\BHL\Buckner\Build  
Sheets\LR 1400\LR 1400 - S 49m (161') - 43t +  
CREATED: 10.10.2024 10:56:43 AM  
EDITING TIME: 6h32m FILE SIZE: 3311.59Kb  
PAPER SIZE: ANSI B (17.00 x 11.00 Inches)  
SAVED: 10.10.2024 10:56:31 AM  
PLOTTED: 10.10.2024 10:56:34 AM

Revisions

All Sheets Same Revision Level

Rev.	Date	Description
000	10.10.2024	Preliminary Planning & Initial Layout
001	----	----
002	----	----
003	----	----
004	----	----
005	----	----
006	----	----
007	----	----
008	----	----
009	----	----
010	----	----

SHEET: 002 OF 008



Pos.	Item	Quantity	Description	Bezeichnung	Serie	K
1	96 34 978 08	30	ROD WITH BOARD	STANGE MIT SCHILD		
(1)	95 43 721 08	1	ROD 40X6896X174	STANGE		
(2)	97 35 676 08	1	PLATE IDENTIFICATION NUMBER IDENT-NR	SCHILD IDENTNR.		
2	92 51 733 08	38	BRACKET COMPL. 0.320M	LASCHE KPL.		
3	96 34 935 08	2	ROD	STANGE		
(1)	95 43 738 08	1	ROD 35X6886X139	STANGE		
(2)	97 35 676 08	1	PLATE IDENTIFICATION NUMBER IDENT-NR	SCHILD IDENTNR.		
4	92 51 730 08	4	BRACKET COMPL. 0.295M	LASCHE KPL.		
16	92 13 444 08	2	ROD CPL. 0.900M	STANGE KPL.		
25	95 43 835 08	82	PIN RD65X190 35NI	BOLZEN		
27	92 11 375 08	1	ROD CPL.	STANGE KPL.		
28	95 43 857 08	10	PIN RD55X170 35NI	BOLZEN		
29	43 31 050 08	101	RETAINING SPRING 6 A3C	SICHERUNGSFEDER		
32	92 11 296 08	1	ROD CPL.	STANGE KPL.		
			→ 3 560 101 92 11 296 08			
37	96 28 317 08	2	ROD CPL. 6.705M	STANGE KPL.		
			→ 3 655 306 96 28 317 08			
38	96 28 318 08	4	BRACKET COMPL. 0.295M	LASCHE KPL.		
			→ 3 655 308 96 28 318 08			
39	96 28 319 08	1	ROD CPL. 6.850M	STANGE KPL.		
			→ 3 655 307 96 28 319 08			
40	96 28 320 08	1	ROD CPL. 6.560M	STANGE KPL.		
			→ 3 655 305 96 28 320 08			
44	94 83 596 08	10	PIN RD54X235 35NICRMOV125	BOLZEN		
52	96 34 901 08	4	ROD WITH BOARD	STANGE MIT SCHILD		
(1)	95 46 778 08	1	ROD 40X3391X174	STANGE		
(2)	97 35 676 08	1	PLATE IDENTIFICATION NUMBER IDENT-NR	SCHILD IDENTNR.		
82	92 14 254 08	2	ROD WITH BOARD 1.380M	STANGE MIT SCHILD		
83	92 14 255 08	2	ROD CPL. 0.530M	STANGE KPL.		
98	92 11 252 08	1	CROSS-MEMBER	TRAVERSE SCHWK.		
103	97 00 790 08	1	PIN 85x310	BOLZEN		
104	92 11 373 08	2	ROD CPL.	STANGE KPL.		
105	96 30 043 08	2	ROD CPL. 6.08M	STANGE KPL.		
			→ 3 560 103 96 30 043 08			
106	43 30 103 08	2	SPLIT PIN DIN 94 10X80 ST VERZ.	SPLINT		
107	96 37 435 08	2	ROD WITH BOARD 5.805M	STANGE MIT SCHILD		
108	96 37 440 08	2	ROD CPL. 1.675M	STANGE KPL.		

12.3.2008	etk_en_de_074340 LR 1400/2	<input type="checkbox"/> 400 (4/4)
<b>LIEBHERR</b>	RODS / PULL RODS STANGEN	→ 3 561 91 52 552 08

Untitled (26).max

PROJECT:  
LR1400 S 49m (161')

LOCATION: -----  
BUCKNER CONTACT: Dan Ives, PE  
Dani@BucknerCompanies.com  
LIFT PLAN BY: Dan Ives, PE  
Dani@BucknerCompanies.com

DRAWING NOTES:  
Rod Plan

FILE: C:\Users\Dan Ives\OneDrive - Buckner Heavylift  
Cranes\Engineering\Drawings\BHL\Buckner\Build  
Sheets\LR 1400\LR 1400 - S 49m (161') - 43t +  
CREATED: 10.10.2024 10:56:46 AM  
EDITING TIME: 6h32m FILE SIZE: 3311.59Kb  
PAPER SIZE: ANSI B (17.00 x 11.00 Inches)  
SAVED: 10.10.2024 10:56:31 AM  
PLOTTED: 10.10.2024 10:56:34 AM

### Revisions

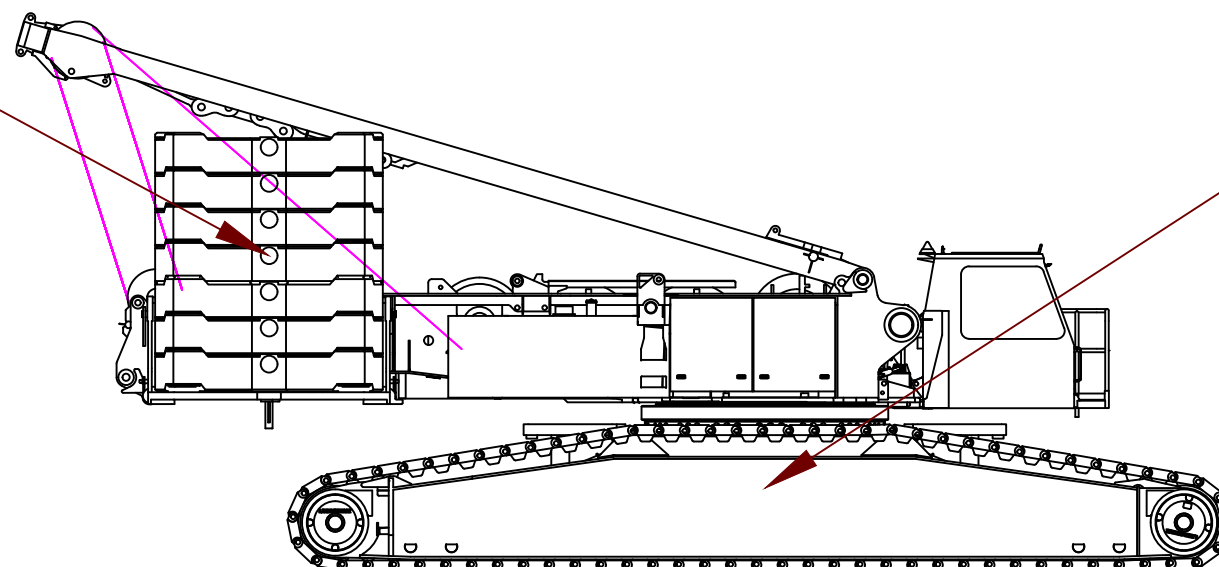
All Sheets Same Revision Level

Rev.	Date	Description
000	10.10.2024	Preliminary Planning & Initial Layout
001	----	----
002	----	----
003	----	----
004	----	----
005	----	----
006	----	----
007	----	----
008	----	----
009	----	----
010	----	----

SHEET: 003 OF 008



Superstructure  
 155 tonnes  
 14 rocks  
 10 tons each



Carbody  
 43 tonnes

PROJECT:  
 LR1400 S 49m (161')

LOCATION: -----  
 BUCKNER CONTACT: Dan Ives, PE  
 Dani@BucknerCompanies.com  
 LIFT PLAN BY: Dan Ives, PE  
 Dani@BucknerCompanies.com

DRAWING NOTES:  
 Counterweight Arrangement

FILE: C:\Users\Dan Ives\OneDrive - Buckner Heavylift  
 Cranes\Engineering\Drawings\BHL\Buckner\Build  
 Sheets\LR 1400\LR 1400 - S 49m (161') - 43t +  
 CREATED: 10.10.2024 @ 10:56:43 AM  
 EDITING TIME: 6h32m FILE SIZE: 3311.59Kb  
 PAPER SIZE: ANSI B (17.00 x 11.00 Inches)  
 SAVED: 10.10.2024 @ 10:56:31 AM  
 PLOTTED: 10.10.2024 @ 10:56:35 AM

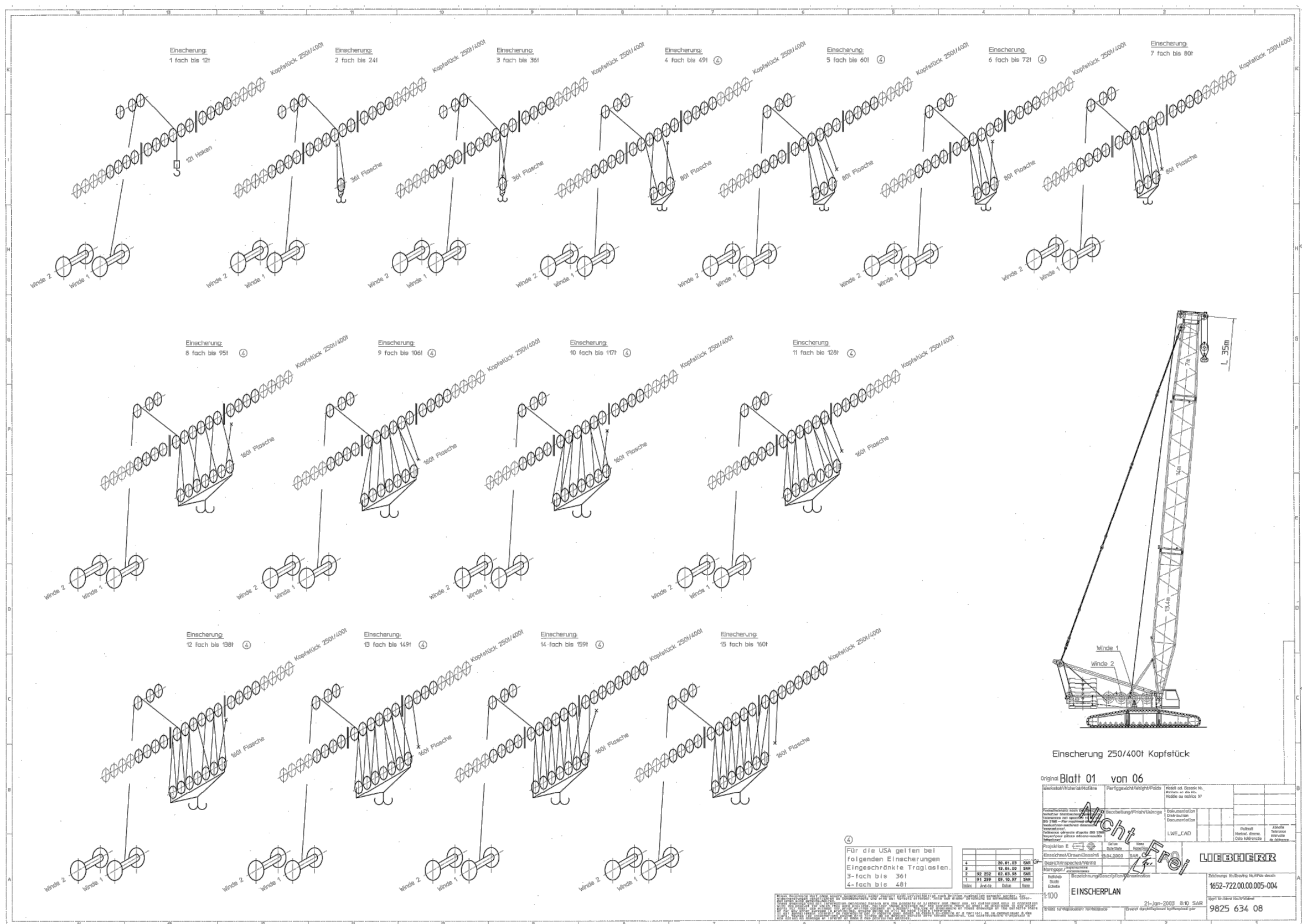
Revisions

All Sheets Same Revision Level

Rev.	Date	Description
000	10.10.2024	Preliminary Planning & Initial Layout
001	----	----
002	----	----
003	----	----
004	----	----
005	----	----
006	----	----
007	----	----
008	----	----
009	----	----
010	----	----

SHEET: 004 OF 008





PROJECT:  
LR1400 S 49m (161')

LOCATION: -----

BUCKNER CONTACT: Dan Ives, PE  
Dani@BucknerCompanies.com

LIFT PLAN BY: Dan Ives, PE  
Dani@BucknerCompanies.com

DRAWING NOTES:  
Reeving Plan – Main

FILE: C:\Users\Dan Ives\OneDrive – Buckner Heavylift  
Cranes\Engineering\Drawings\BHL\Buckner\Build  
Sheets\LR 1400\LR 1400 – S 49m (161') – 43t +

CREATED: 10.10.2024 05:43:45 AM

EDITING TIME: 6h32m FILE SIZE: 3311.59Kb

PAPER SIZE: ANSI B (17.00 x 11.00 Inches)

SAVED: 10.10.2024 10:56:31 AM

PLOTTED: 10.10.2024 10:56:35 AM

Revisions		
All Sheets Same Revision Level		
Rev.	Date	Description
000	10.10.2024	Preliminary Planning & Initial Layout
001	----	----
002	----	----
003	----	----
004	----	----
005	----	----
006	----	----
007	----	----
008	----	----
009	----	----
010	----	----

SHEET: 005 OF 008

**BUCKNER**  
HEAVYLIFT CRANES

Original Blatt 01 von 06

**Wicht Frei**

**LOEBCHNER**

1652-722.00.00.005-004

9825 634 08

21-Jan-2005 8:30 SAR

④ Für die USA gelten bei folgenden Einsicherungen Eingeschränkte Traglasten:  
3-fach bis 36t  
4-fach bis 48t



PROJECT:  
LR1400 S 49m (161')

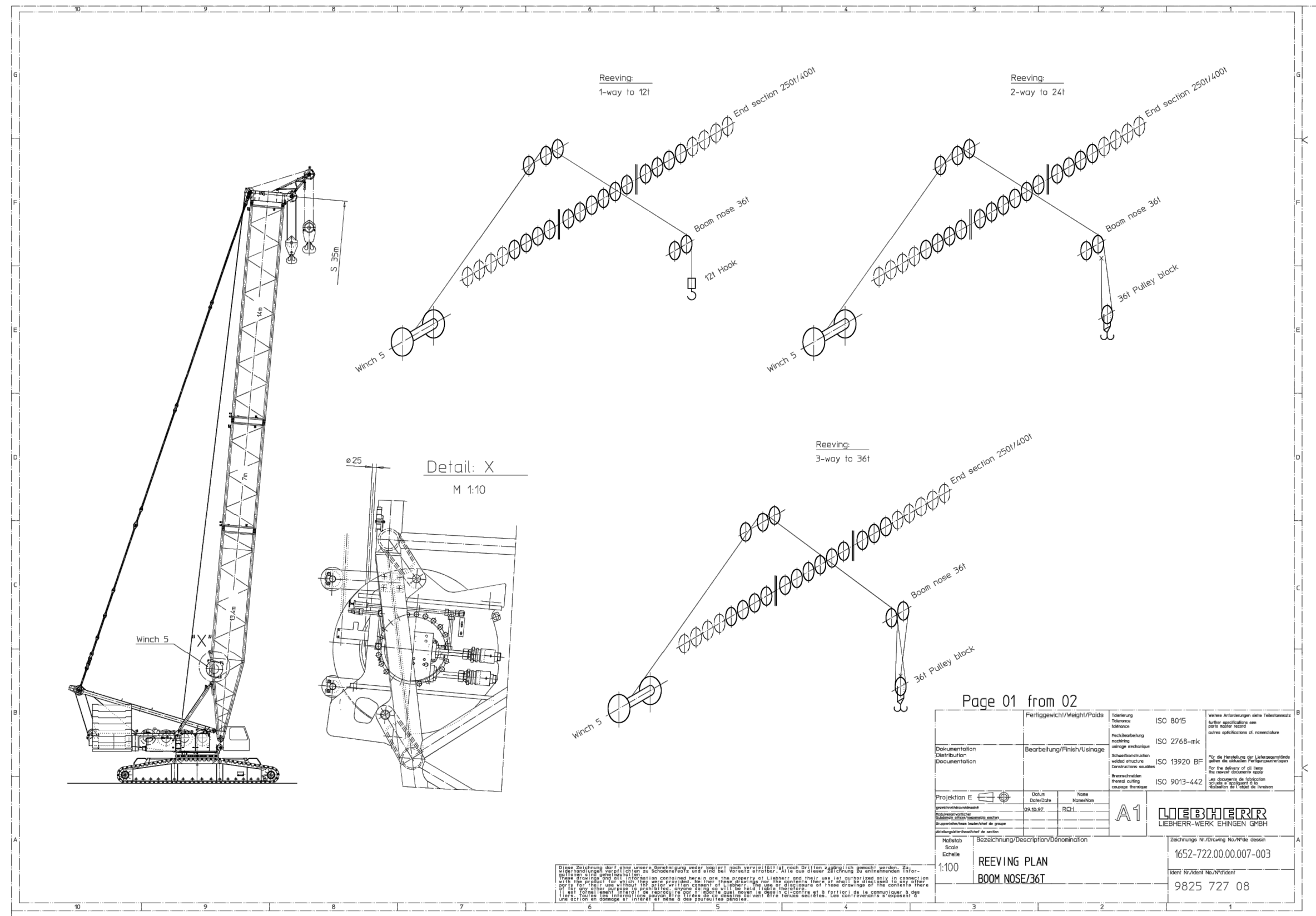
LOCATION: -----  
BUCKNER CONTACT: Dan Ives, PE  
Dani@BucknerHeavyLift.com  
LIFT PLAN BY: Dan Ives, PE  
Dani@BucknerHeavyLift.com

DRAWING NOTES:  
Reeving Plan - Aux.

FILE: C:\Users\Dan Ives\OneDrive - Buckner HeavyLift\Cranes\Engineering\Drawings\BHL\Buckner\Build Sheets\LR 1400\LR 1400 - S 49m (161') - 43t +  
CREATED: 10.10.2024 05:43:45 AM  
EDITING TIME: 6h32m FILE SIZE: 3311.59Kb  
PAPER SIZE: ANSI B (17.00 x 11.00 Inches)  
SAVED: 10.10.2024 10:56:31 AM  
PLOTTED: 10.10.2024 10:56:37 AM

Revisions		
All Sheets Same Revision Level		
Rev.	Date	Description
000	10.10.2024	Preliminary Planning & Initial Layout
001	----	----
002	----	----
003	----	----
004	----	----
005	----	----
006	----	----
007	----	----
008	----	----
009	----	----
010	----	----

SHEET: 006 OF 008



Page 01 from 02

Dokumentation Distribution Documentation	Bearbeitung/Finish/Usage	Fertiggewicht/Weight/Poids	Tolerierung Tolerance tolérance	ISO 8015	Weitere Anforderungen siehe Teilleistung Further specifications see parts master record autres applications cf. nomenclature
			MechBearbeitung machining usinage mécanique	ISO 2768-mk	
			Schweißstruktur welded structure Canaux soudés	ISO 13920 BF	Für die Herstellung der Liefergegenstände gemäß der aktuellen Fertigungsunterlagen For the delivery of all items the newest documents apply
			Stanzschneiden thermal cutting coupage thermique	ISO 9013-442	Les documents de fabrication précisés s'appliquent à la réalisation de l'objet de livraison
Projektion E Scale Echelle	1:100	DATE Date/Date	NAME Name/Nom	RCH	
Bezeichnung/Description/Dénomination			Zielungs Nr./Drawing No./N° de dessin		
REEVING PLAN BOOM NOSE/36T			1652-722.00.007-003		
			Ident Nr./Ident No./N° ident		
			9825 727 08		

This drawing shall not be used, copied, reproduced, or otherwise disclosed to any third party without the prior written consent of Liebherr. The use or disclosure of these drawings or the contents thereof for any other purpose is prohibited, anyone doing so will be held liable therefore. Les documents de fabrication précisés s'appliquent à la réalisation de l'objet de livraison. Les contrevenants s'exposent à une action en dommages et intérêts et même à des poursuites pénales.

RAISING - AND LOWERING CHARTS

**S - mode**  
with 250 / 350 t head section

TAB: 12400014  
System: S 2620.20

**Note:** raising, lowering 360°  
Supporting base 7,80 m×7,50 m×1,20 m, **without** additional supports

Operating mode	Slewing platform- / central ballast [t] / [t]	Main boom	max. permissible hook block weight on main boom [t]
		S (m)	
S	155 / 43	21 - 63	8,0
		70	7,2
		77	3,6
	135 / 43	21 - 63	8,0
		70	5,0
		77	1,5
	95 / 43	21 - 49	8,0
		56	7,6
		63	3,9
55 / 43	21 - 42	8,0	
	49	5,8	
	56	2,0	
0 / 43	21 - 28	8,0	
	35	3,5	
95 / 11	21 - 49	8,0	
	56	5,9	
	63	2,4	
55 / 11	21 - 35	8,0	
	42	7,8	
	49	3,8	
0 / 11	21	8,0	
	28	4,6	

PROJECT:  
LR1400 S 49m (161')

LOCATION: -----  
BUCKNER CONTACT: Dan Ives, PE  
Dani@BucknerCompanies.com  
LIFT PLAN BY: Dan Ives, PE  
Dani@BucknerCompanies.com

DRAWING NOTES:  
Erection and Takedown

FILE: C:\Users\Dan Ives\OneDrive - Buckner Heavylift  
Cranes\Engineering\Drawings\BHL\Buckner\Build  
Sheets\LR 1400\LR 1400 - S 49m (161') - 43t +  
CREATED: 10.10.2024 @ 10:56:31 AM  
EDITING TIME: 6h32m FILE SIZE: 3311.59Kb  
PAPER SIZE: ANSI B (17.00 x 11.00 Inches)  
SAVED: 10.10.2024 @ 10:56:31 AM  
PLOTTED: 10.10.2024 @ 10:56:39 AM

Revisions		
All Sheets Same Revision Level		
Rev.	Date	Description
000	10.10.2024	Preliminary Planning & Initial Layout
001	----	----
002	----	----
003	----	----
004	----	----
005	----	----
006	----	----
007	----	----
008	----	----
009	----	----
010	----	----

SHEET: 007 OF 008



ISO DIN

S	--
161 ft	

074414

\*\*\* 056 06.01

ft > < x 1000 lb		CODE >0029<	L124 7400
ft	161		
28	474.0		
30	443.0		
32	417.0		
34	392.0		
36	370.0		
38	350.0		
40	331.0		
45	291.0		
50	259.0		
55	232.0		
60	209.0		
65	188.0		
70	169.0		
75	153.0		
80	140.0		
85	128.0		
90	118.0		
95	109.0		
100	101.0		
105	94.0		
110	87.5		
115	82.0		
120	77.0		
125	72.5		
130	68.0		
135	64.5		
140	61.0		
* n *	20		

ft/s 42

	S	--	342,000 lbs	95,000 lbs			
	161 ft						

PROJECT:  
LR1400 S 49m (161')

LOCATION: -----  
BUCKNER CONTACT: Dan Ives, PE  
Dani@BucknerCompanies.com  
LIFT PLAN BY: Dan Ives, PE  
Dani@BucknerCompanies.com

DRAWING NOTES:  
Load Chart

FILE: C:\Users\Dan Ives\OneDrive - Buckner Heavylift  
Cranes\Engineering\Drawings\BHL\Buckner\Build  
Sheets\LR 1400\LR 1400 - S 49m (161') - 43t +  
CREATED: 10.10.2024 @ 10:56:46 AM  
EDITING TIME: 6h32m FILE SIZE: 3311.59Kb  
PAPER SIZE: ANSI B (17.00 x 11.00 Inches)  
SAVED: 10.10.2024 @ 10:56:31 AM  
PLOTTED: 10.10.2024 @ 10:56:39 AM

Revisions		
All Sheets Same Revision Level		
Rev.	Date	Description
000	10.10.2024	Preliminary Planning & Initial Layout
001	----	----
002	----	----
003	----	----
004	----	----
005	----	----
006	----	----
007	----	----
008	----	----
009	----	----
010	----	----

SHEET: 008 OF 008

