

LIEBHERR

Crawler crane with lattice mast

LR 11350

LR 11350-005

Operating instructions

BAL No.: 19004-04-02

Pages: 1934

Serial No.	
Date	

ORIGINAL OPERATING MANUAL

The operating manual is part of the crane!

It must always be available within reach!

The regulations for crane operation must be observed!

Liebherr-Werk Ebingen GmbH

Postfach 1361

D-89582 Ebingen / Donau

+49 (0) 7391 502-0

+49 (0) 7391 502-3399

info.lwe@liebherr.com

www.liebherr.com

Preface

General

This crane was built according to the state of technology and recognized safety technical regulations. Despite that, dangers to body and life for the user and / or third persons or damage to the crane and / or other material assets can occur.

This crane may only be used:

- in impeccable technical condition.
- for destined use.
- by trained personnel, which acts in a safety and danger conscious way.
- when no safety relevant problems are present.
- when no modifications were made on the crane.

Any problems, which could affect safety must be fixed immediately.

Modifications on the crane may only be made with written approval by Liebherr-Werk Ebingen GmbH.

Data recording device

This crane is equipped with a data recording device. Among others, the following data is recorded:




- Date and time of day
- Entered configuration of the crane
- Actual load
- Percentage of utilization of the crane
- Working radius
- Main boom angle, luffing jib angle
- Total telescopic boom length, length of each telescopic section
- Every actuation of bypass devices

The recorded data can be read with a respective software.

Safety and warning notes

Safety and warning notes are directed to all persons who work with the crane.


The terms **DANGER**, **WARNING**, **CAUTION** and **NOTICE** used in the crane documentation are intended to point out certain rules of conduct to all persons working with the crane.

Warn- ing signs	Signal word	Explanation
	DANGER	Designates a dangerous situation which will lead to death or serious injury if it is not prevented ¹⁾
	WARNING	Designates a dangerous situation, which can lead to death or serious injury if it is not prevented. ¹⁾
	CAUTION	Designates a dangerous situation, which can lead to slight or medium-grade injuries if it is not prevented. ¹⁾
	NOTICE	Designates a dangerous situation, which can lead to property damage if it is not prevented.

¹⁾ This could also result in property damage.

Additional notes

The term **Note** is used in the crane documentation to make all persons working with the crane aware of useful information and tips.

Sign	Signal word	Explanation
	Note	Designates useful information and tips.

Crane documentation

The crane documentation is comprised of:

- all supplied documents on paper and in digital form.
- all supplied programs and applications.
- all subsequently supplied information, updates and addenda for the crane documentation.

The crane documentation:

- makes it possible for you to operate the crane safely.
- supports you to utilize the permissible application possibilities of the crane.
- provides you with information about the functionality of important components and systems.



Note

Terminology in the crane documentation.

Certain expressions are used in the crane documentation.

- ▶ In order to avoid misunderstandings, the same expressions should always be used.

Translations from the German version of the crane documentation: The crane documentation has been translated to be best of one's knowledge. Liebherr-Werk Ehingen GmbH assumes no liability for translation errors. The German version of the crane documentation is solely applicable for factual accuracy. If you find any errors or if any misunderstandings arise when reading the crane documentation, please contact Liebherr-Werk Ehingen GmbH immediately.



WARNING

Danger of accident due to incorrect operation of the crane!

Incorrect operation of the crane can lead to accidents!

Personnel can be killed or seriously injured!

This could result in property damage!

- ▶ Only authorized and trained expert personnel are permitted to work on the crane.
- ▶ The crane documentation is part of the crane and must be accessible on the crane.
- ▶ The crane documentation and on-site regulations and specifications (such as accident prevention regulations) must be observed.

Using the crane documentation:

- **makes it easier** to become familiar with the crane.
- **avoids** problems due to improper operation.

Observing the crane documentation:

- **increases** reliability in use.
- **extends** the service life of the crane.
- **minimizes** repair costs and downtime.

Place the crane documentation accessible in the driver's cab or in the crane cab.

**WARNING**

Outdated version of crane documentation!

If subsequently supplied information, updates and addenda to the crane documentation are not observed and added, there is a danger of accidents!

Personnel can be killed or seriously injured!

This could result in property damage!

- ▶ Observe and add all subsequently supplied information, updates and addenda for the crane documentation.
 - ▶ Make sure that all affected persons always know and understand the latest version of the crane documentation.
-

**WARNING**

Crane documentation is not understood!

If parts of the crane documentation are not understood and the tasks are carried out on or with the crane, then there is a danger of accidents!

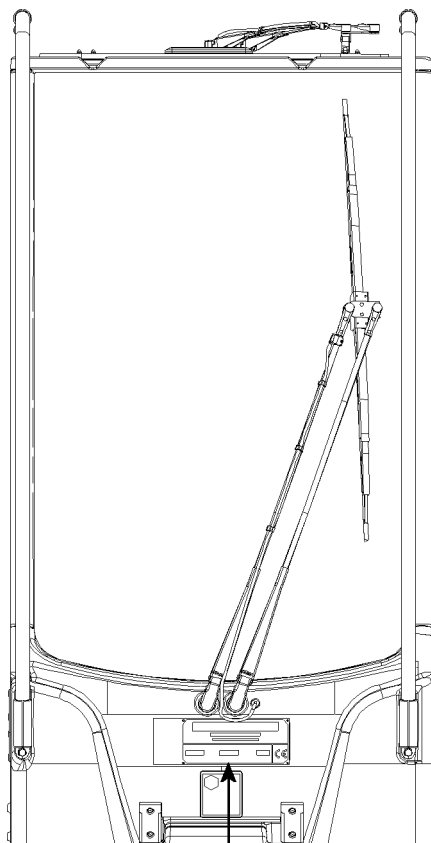
Personnel can be killed or seriously injured!

This could result in property damage!

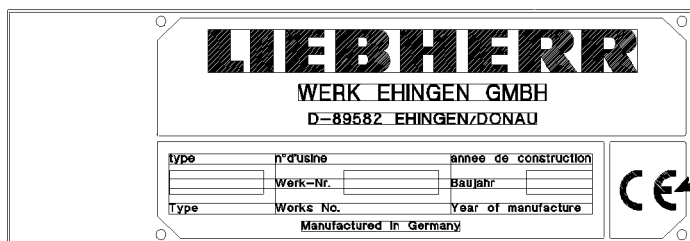
- ▶ Clear up open questions regarding the crane documentation with Liebherr Service before carrying out the respective task.
-

This documentation may not be reproduced or duplicated, distributed or used for purposes of competition, neither in part nor in excerpts. All rights are expressly reserved in accordance with copyright laws.

All accident prevention guidelines, operating instructions, load charts etc. are based on destined use of the crane.



1



2



LWE/LR 11350-005/19004-04-02/en

Fig.110001

CE marking

The CE marking is a mark according to EU laws:

- Cranes with CE-marking according to the European machinery directive 2006/42/EC and the EN 13000! Data tag Crane with CE-marking, see illustration 1.
- Cranes which are operated outside the respective area of application do not require a CE marking. Data tag Crane without CE marking, see illustration 2.
- It is prohibited to market and operate cranes without CE marking, which do not meet the product-specific regulations valid in Europe, when a CE marking is specified for the country.
- It is prohibited to operate cranes with a tipping load utilization of 85 % which are programmed according to ASME B30.5 within the European Union or in countries which permit a lower stationary stability utilization (for example ISO 4305)! The national regulations apply. These cranes may not have a CE marking!

Destined use

The destined use of the crane consists solely in vertical lifting and lowering of free and non-adhered loads, whose weight and center of gravity are known.

To do so, a hook or hook block approved by Liebherr must be reeved on the hoist rope and it may only be operated within the permissible crane configurations.

Driving with the crane, with or without an attached load is only permissible if a corresponding driving or load chart is available. The set up configurations intended for it and the safety conditions must be observed according to the corresponding crane documentation.

Any other use or any other exceeding utilization is **not** destined use.

Destined use also includes the adherence of the required safety guidelines, conditions, prerequisites, set up conditions and working steps in the crane documentation (for example: Operating instructions, load charts, erection and take down charts, job planner).

The manufacturer is **not** liable for damages, which are caused by non-destined use or improper use of the crane. Any associated risk it is carried solely by the owner, the operator and the user of the crane.

Non-destined use

Non-destined use is:

- Working outside the permissible set up configurations according to the load chart.
- Working outside the permissible boom radii and slewing ranges according to the load chart.
- Selecting load charts, which do not correspond to the actual set up configuration.
- Selection of a set up configuration via code or via manual entry, which does not correspond to the actual set up configuration.
- Working with bypassed / deactivated safety devices, for example bypassed load moment limitation or with bypassed hoist limit switch.
- Increasing the radius of the lifted load after a LMB shut off, for example by diagonally pulling the load.
- Using the support pressure display as a safety function against tipping over.
- Use of equipment parts which are not approved for the crane.
- Using the crane at sports and recreational events, especially for "Bungee" jumps and / or "Dinner in the sky".
- Driving on a public road in non-permissible driving condition (axle load, dimension).
- Driving with the equipment in place in a non-permissible driving condition.
- Pushing, pulling or lifting loads with the leveling regulation, the sliding beams or the support cylinders.
- Pushing, pulling or lifting loads by actuating the slewing gear, the luffing gear or the telescoping gear.
- Ripping stuck objects loose with the crane.
- Utilizing the crane for a longer period of time for material handling tasks.
- Releasing the crane suddenly (grapple or dumping operation).

- Utilizing the crane when the weight of the load, which is suspended on the crane is changed, for example by filling a container suspended on the load hook, except:
 - The load moment limiter was checked before for function with a known load.
 - The crane cab is occupied.
 - The crane is operational.
 - The container size is selected in such a way that an overload of the crane with full load is eliminated within the valid used load chart.

The crane may **not** be used for:

- Attaching a stuck load for which the weight and center of gravity are not known and which is released only by flame cutting, for example.
- Letting persons drive along outside the driver's cab.
- Transporting personnel in the crane cab while driving.
- Transporting personnel with the lifting equipment and on the load.
- Transporting of persons with work baskets (cherry pickers), if the national regulations of the responsible work safety organization are not observed.
- Transporting loads on the chassis.
- Two hook operation without auxiliary equipment.
- Extended material handling operation.
- Crane operation on a barge if the conditions are not determined and the written release by **Liebherr Werk Ehingen GmbH** is not present.

The crane documentation must be read and used by all persons who are involved in use, operation, assembly and maintenance of the crane.

Safety systems

Special attention must be paid to the safety systems built into the crane. The safety systems must constantly be checked for functionality. The crane may not be operated if the safety systems are not working or not working correctly.



Note

Your motto must always be:

► **Safety first!**

The crane has been built in accordance with the applicable crane operation and driving regulations and has been approved by the relevant authorities.

Equipment and spare parts



WARNING

Danger to life if original equipment parts are **not** used!

If the crane is operated with equipment parts, which are **not** original, then the crane can fail and cause fatal accidents!

Crane components can be damaged!

- Operate the crane only with original equipment parts!
- Crane operation with equipment parts, which do **not** belong to the crane is prohibited!
- If there is any doubt about the origin of equipment parts, contact Liebherr Service!



WARNING

The crane permit and the manufacturer's warranty will become void!

If any original installed parts are modified, manipulated or replaced (e.g. removal of parts, installation of non-original Liebherr parts), both the crane permit and the manufacturer's warranty will become void.

- Leave installed original parts unchanged!
- Do not remove installed original parts!
- Use only Original Liebherr spare parts!
- If there is any doubt about the origin of spare parts, contact Liebherr Service!

For ordering equipment and spare parts, always keep the crane number handy and provide it.

Definition of directional data for mobile cranes

Driving forwards: Driving with the driver's cab on the front.

Driving in reverse: Driving with the taillights of the crane chassis on the front.

Front, rear, right, left in the **driver's cab** refer to the crane chassis. The driver's cab is always in the front.

Front, rear, right, left in the **crane operator's cab** refer to the superstructure. Front is always in direction of the placed down boom.

Definition of directional data for crawler cranes

Driving forwards: Driving forward from the view of the crane operator seated in the crane cab. Turntable in 0° or 180° position.

Driving in reverse: Driving backward from the view of the crane operator seated in the crane cab. Turntable in 0° or 180° position.

Front, rear, right, left always orient themselves on the **crawler track** from the position of the chain tension devices. The chain tension devices on the crawler track are always on the front.

Front, rear, right, left refer to the direction of view of the crane operator seated in the **crane cab**. Front is always in direction of the placed down boom.

Optional equipment and functions

The equipment marked with * and the functions are optionally available and are **not** part of the standard crane (optional equipment).

Conversion chart



Note

► If the crane is used in countries where US-units are customary, you can use the conversion factors in this chart for conversion of metric measuring units into US-units!

	Unit of Measure	Multiply by	To obtain
Length	millimeter (mm)	0.03937	inch (in)
	millimeter (mm)	0.00328084	foot (ft)
	meter (m)	39.37	inch (in)
	meter (m)	3.28084	foot (ft)
	meter (m)	1.09361	yard (yd)
	kilometer (km)	0.62137	mile (mi)
Area	square centimeter (cm ²)	0.155	square inch (in ²)
	square meter (m ²)	10.7639	square foot (ft ²)
	square meter (m ²)	1.196	square yard (yd ²)
	square kilometer (km ²)	0.3861	square mile (mi ²)
Volume	cubic centimeter (cm ³)	0.06102	cubic inch (in ³)
	cubic meter (m ³)	35.3147	cubic foot (ft ³)
	cubic meter (m ³)	1.308	cubic yard (yd ³)
	liter (L)	61.024	cubic inch (in ³)

	Unit of Measure	Multiply by	To obtain
	liter (L)	0.035	cubic foot (ft ³)
	liter (L)	0.264	gallon (U.S.) (gal)
Weight	gram (g)	0.03527	ounce (oz)
	kilogram (kg)	2.20462	pound (lb)
	metric ton (t)	2204.62262	pound (lb)
	metric ton (t)	1.102	short tons (U.S.)
Mass divided by length	kilogram per meter (kg/m)	0.055998	pound per inch (lb/in)
	kilogram per meter (kg/m)	0.67197	pound per foot (lb/ft)
Force	newton (N)	0.2248	pound-force (lbf)
	kilonewton (kN)	224.809	pound-force (lbf)
	kilonewton (kN)	0.2248	kip (1 kip = 1000 lbf)
Torque	newton meter (N·m)	8.85075	pound-force inch (lbf·in)
	newton meter (N·m)	0.73756	pound-force foot (lbf·ft)
Power	horsepower (metric)	0.73549	kilowatt (kW)
	horsepower (metric)	0.98632	horsepower (U.K.)
	kilowatt (kW)	1.34102	horsepower (U.K.)
Pressure	kilopascal (kPa)	0.01	bar (bar)
	kilopascal (kPa)	0.1450377	pound-force per square inch (psi)
	bar (bar)	14.50377	pound-force per square inch (psi)
	newton per square centimeter (N/cm ²)	1.450377	pound-force per square inch (psi)
	newton per square meter (N/m ²)	0.0001450377	pound-force per square inch (psi)
Speed	meter per second (m/s)	39.37	inch per second (in/s)
	meter per second (m/s)	3.28084	foot per second (ft/s)
	kilometer per hour (km/h)	0.62137	mile per hour (mi/h)
	liter per minute (l/min)	0.26417	gallon per minute (gal/min)
Temperature	degree Celsius (°C)	$([^{\circ}\text{C}] \cdot 1.8) + 32$	degree Fahrenheit (°F)
	kelvin (K)	$([\text{K}] \cdot 1.8) - 459.67$	degree Fahrenheit (°F)

Conversion chart version 1

Contents

1 Description of crane	21
1.01 Terminology	22
1 Component overview	23
2 Boom systems	27
1.02 Product description	34
1 Crawler travel gear	35
2 Crane superstructure	35
3 Boom systems	37
4 Auxiliary equipment	37
1.03 Technical data	40
1 Dimensions and weights	41
2 Load handling equipment	67
3 Ground pressure	67
4 Workplace-related emission value	68
5 Vibrations	68
6 Crane speeds	68
7 Ropes	68
2 Safety	71
2.03 Job planning	72
1 Planning Crane operation	73
2.04 General safety technical guidelines	74
1 Danger zone of crane	75
2 Traffic endangerment and environmental damage	75
3 Endangering air traffic	75
4 Movement on the crane	76
5 Emergency exit	76
6 Personal protective equipment	79
7 Securing persons to prevent them from falling	84
8 Rescuing the assembly personnel	86
9 Crane cab with retractable / extendable step	87
10 Crane cab with incline adjustment	88
11 Safety bar	89
12 Closing the windows	90
13 Rigging and fastening points	91
14 Heated crane components	92
15 Crane operator responsibilities	92
16 Selecting the operating site	94
17 Slopes and ditches	98
18 Permissible ground pressures	101
19 Support	103
20 Aligning the crane	105
21 Checking the safety measures	106

22	Safety guidelines in case of external power supply	107
23	Grounding	107
24	Working in the vicinity of transmitters	109
25	Crane operation in case of thunderstorms	110
26	Wind influences	111
27	Lifting a load with two cranes	117
28	Working ranges overlap	119
29	Hand signals for guidance	119
30	Crane operation with a load	128
31	Lifting of personnel	131
32	Securing personnel on shut off crane	132
33	Welding work on the load	134
34	Travel and crane operation	135
2.04.10	Ladders	140
1	Safety guidelines	141
2	Safety signs	141
3	Ladder inspection	145
4	User guidelines	145
5	Ladder access	146
2.05	Signs on the crane	156
1	Signs	157
2.05.10	Labeling of load lifting equipment	190
1	Identifications on the hook block or load hooks	191
2	Identifications on single hook or double hook	192
3	Identifications on auxiliary weights	193
2.06	Antifall guards on the crane	196
1	Personal protective equipment	197
2	Fall protection equipment on the crawler track	199
3	Fall protection equipment on the turntable	205
4	Fall protection equipment on counterweights	207
5	Fall protection equipment on the boom pivot sections and on the lattice sections	209
6	Fall protection equipment on the ballast trailer	219
2.08	Working in low temperatures	220
1	Working in low temperatures	221
2	Working in ambient temperatures up to -40 °C	221
3	Working in ambient temperatures below -40 °C	227
2.15	General safety technical notes for operation with ballast trailer	230
1	Safety guidelines	231
2	Inspection of tires and disk wheels	232
3	Crane assembly	235
3.01	Crawler carrier assembly	236
1	Component overview Crawler travel gear	237
2	Installing the crawler travel gear	241
3	Removing the crawler travel gear	259

3.02 Turntable assembly	276
1 Component overview	277
2 Dimensions and weights	279
3 Assembly	281
4 Disassembly	293
3.04 Mechanical auxiliary support	304
1 Components	305
2 Assembly	305
4 Operation of crane superstructure	309
4.01 Operating and control instruments on the crane superstructure	310
1 Operating and control instruments	311
4.02 LICCON computer system	330
1 General	331
2 LICCON computer system boot up	335
3 Operating mode preselection on the LICCON computer system	335
4 Operating elements of the LICCON computer system on monitor 0	339
5 The set up program	343
6 The crane operation program on monitor 0	369
7 Operating elements of the LICCON computer system on monitor 1	435
8 The crane operation program on monitor 1	437
9 The Control parameter program	481
10 The Engine monitoring program	489
11 LICCON computer system in stand-by mode	497
4.03 Crane start up and taking the crane out of service	500
1 Checks before start up	501
2 Work station - Crane operator's cab	503
3 Starting and stopping the engine	511
4 LICCON computer system after engine start	517
5 Load weighing and load display	523
4.04 Safety equipment	528
1 General	529
2 Quick test Crane geometry	529
3 Quick test Overload protection	529
4 LICCON computer system	529
5 Safety devices on the crane	535
4.05 Crane operation	548
1 General	549
2 LICCON computer system	557
3 Winch and master switch assignment to operating modes	557
4 Lifting / lowering	559
5 Luffing	567
6 Turning	571
4.06 Rope reeving	576
1 Wire ropes and rope end connections	577
2 Reeving the hoist rope	578

3	Reeving the hook block in and out	581
4	Attaching and removing the load hook*	585
5	Attaching / removing the hoist limit switch weight	588
6	Assembling / disassembling the wedge lock	590
7	Rope reeving	591
4.07 Counterweight		592
1	General	593
2	Assembly	603
3	Disassembly	611
4.08 Working with a load		616
1	Safety technical instructions for working with a load	617
2	Checks before starting to work with the crane	617
3	Crane movement - Telescoping	618
4	Taking on a load	621
5	Crane operation	627
4.10 Driving from the crane operator's cab		630
1	Prerequisites for driving / moving crawler cranes (crawler operation)	631
2	Driving with a load and / or Derrick ballast	636
3	Driving without a load and without derrick ballast	637
4	Driving uphill / downhill	639
5	Driving the crawler crane	649
4.20 Procedure for shut off of crane movements		668
1	General	669
2	Instructions for resuming crane movements for cranes with CE mark	673
3	Instructions for resuming crane movements for cranes without CE mark	721
5 Equipment		769
5.01 Safety technical notes for assembly and disassembly		770
1	Checking the retaining elements	771
2	Rope pulleys	771
3	Checking the ropes	771
4	Control measures	772
5	Dangerous conditions without shut off	775
6	Transporting components	775
7	Pneumatic springs for assembly support of components	775
8	Manual rope winches for assembly support of components	776
9	Weights	776
10	Guy rods	776
11	Auxiliary guying	777
12	Bypassing the overload protection	777
13	Bypassing the hoist top shut off	779
14	Assembly / disassembly	780
15	Erection / take down	824
5.02 SA-frame		830
1	SA-frame	831
5.03 Boom systems		838

1	Boom components	839
2	Arrangement of intermediate sections on the boom	839
3	Auxiliary guying	843
5.05 D-boom		846
1	Components and fastening points	847
2	Assembly	849
3	Disassembly	875
5.07 SW/SDW boom combination		896
1	Component overview W-lattice jib / WA-frames	897
2	Fastening points	897
3	Assembly	902
4	Erecting the boom	932
5	Crane operation	936
6	Placing the boom down	938
7	Disassembly	941
5.08 WV-lattice jib		966
1	General	967
2	Assembly	969
3	Crane operation	983
4	Disassembly	985
5.10 Boom nose lattice boom		990
1	Boom nose 62 t	991
2	Boom nose 120 t	1015
5.14 Pulley set 675t		1038
1	General	1039
2	Assembly	1043
5.19 Hook blocks		1044
1	Procedure in case of slack rope	1045
2	Hook block 1350 t	1047
3	Hook block 630 t	1065
4	Assembling / disassembling the auxiliary weights	1079
5.30 Pin pulling device		1098
1	Pinning and unpinning with pin pulling device	1099
5.35 Derrick ballast - Ballast trailer		1104
1	General	1105
2	Assembly	1115
3	Setting the ballast trailer radii	1139
4	Changing the wheel sets	1147
5	Driving with the ballast trailer	1161
6	Crane operation with derrick ballast	1173
7	Disassembly	1195
8	Emergency operation	1213
9	Maintenance intervals for the ballast trailer	1217
10	Maintenance	1219
11	Fill quantities	1221

12	Fill quantities for ballast trailer	1221
13	Lubrication schedule	1223
5.36	Derrick ballast - Suspended ballast	1224
1	General	1225
2	Derrick radii	1229
3	Assembly	1233
4	Crane operation with derrick ballast	1249
5	Crawler operation with derrick ballast	1269
6	Disassembly	1271
5.38	S/SL-boom	1280
1	Components and fastening points	1281
2	Assembling the S-boom	1287
3	Operating the crane	1317
4	Disassembly	1319
5.39	LD/SLD/SD-boom combination	1332
1	Components and fastening points	1333
2	Assembling the SLD/SD-boom	1337
3	Operating the crane	1375
4	Disassembling the SLD/SD-boom	1377
5.44	PD - boom combination	1392
1	Components	1393
2	Fastening points	1393
3	Assembly PD-boom	1401
4	Operating the crane	1463
5	Disassembly PD-boom	1465
5.61	Pulley cart	1506
1	Components	1507
2	Fastening points Pulley cart	1508
3	Assembly variations Pulley cart	1508
4	Assembly	1509
5	Disassembly	1511
6	Additional equipment	1513
6.01	Heater / engine pre-heating	1514
1	Heating the crane cab	1515
2	The „Air conditioning settings“ menu	1515
6.05	Emergency take-down	1548
1	Emergency operation	1549
2	Emergency operation with assembly plate Variation 1 (V1)	1555
3	Emergency operation of slewing gear(s) with assembly plate Variation 1 (V1)	1561
4	Emergency operation with assembly plate(s) Variation 2 (V2)	1565
5	Emergency operation slewing gear(s) with assembly plate(s) Variation 2 (V2)	1575
6	Emergency operation of winch 4 (W IV) on the LR1600/2 and LR1600/2-W	1579
7	Ending emergency operation	1583
7	Service and maintenance	1585

7.01 Maintenance and service - General	1586
1 Technical safety instructions	1587
2 Warranty and coverage	1591
3 Liebherr Service	1591
4 Oil and lubricant analysis	1592
5 Cleaning	1593
6 Disposal	1594
7.02 Maintenance intervals Crawler chassis	1596
1 Maintenance and inspection schedule	1597
7.02.50 Maintenance intervals ballast trailer	1600
1 Maintenance and inspection schedule	1601
7.03 Maintenance intervals - Crane superstructure	1604
1 Maintenance and inspection schedule	1605
7.03.50 Maintenance intervals - Crane boom	1612
1 Maintenance and inspection schedule	1613
7.04 Maintenance guidelines - Crane chassis	1616
1 Servicing the travel gear	1617
2 Servicing the central lubrication system of the crawler carrier	1625
3 Servicing the track chain	1633
7.05 Maintenance guidelines - Crane superstructure	1646
1 Crane engine	1647
2 Pump distributor gear	1651
3 Hydraulic system	1653
4 Central lubrication system	1661
5 Slewing ring connection	1666
6 Winches	1669
7 Slewing gear	1677
8 Electrical system - Lighting	1677
7.05.50 Maintenance guidelines - Crane boom	1680
1 Lattice mast boom	1681
2 Rope pulleys and guide pulleys	1682
3 Crane ropes	1682
7.06 Fill quantities, lubrication schedule	1696
1 Fill quantities	1697
2 Lubrication schedule	1698
7.07 Service fluids and lubricants	1700
1 Specified service items and lubricants for Liebherr cranes	1701
7.15 Procedure in case of problems	1708
1 Procedure to follow in case of a problem	1709
2 Carrying out error diagnostics	1713
3 Measures in clear problem cases	1725
4 Measures for defective components	1731
8 Inspections of cranes	1739

8.01	Periodic crane inspections	1740
1	General	1741
2	Inspection of carrying crane structures, especially steel structures	1742
3	Inspection of the rope feed mechanism in the telescopic boom	1816
4	Inspection of locking system of telescopic boom	1818
5	Inspection of safety ropes and anchor points	1820
6	Inspection of membrane accumulator	1822
7	Inspection of relapse cylinders	1822
8	Inspection of rope pulleys	1823
9	Inspection of extension conditions of sliding beams	1824
10	Inspecting the function of the overload protection	1824
11	Inspecting the roller slewing ring connection	1824
12	Inspection of the mounting of the load bearing equipment	1824
13	Inspection of the tele extension with eccentric, illustration 1	1826
14	Inspection of change over pulleys, illustration 2	1826
15	Inspection of the oil and fuel reservoirs	1826
16	Inspection of the auxiliary reeving winch, recovery winch and spare wheel winch	1826
8.03	Inspecting the hoist and retracting winches	1828
1	Inspecting the hoist and retracting winches	1829
2	Checking the groove diameter	1829
3	Inspection intervals	1829
4	Checking the oil level	1829
5	Evaluating oil color	1830
6	Checking for solid foreign substances	1830
7	Visual inspection for leaks	1830
8	Inspecting the gear brakes	1830
9	Documenting the completed inspection	1831
10	Requirements for monitoring the winches	1831
8.04	Inspection of crane wire ropes	1840
1	Importance of inspection	1841
2	Personal protective equipment	1841
3	Qualification Inspection personnel	1841
4	Unscheduled inspection	1841
5	Intervals	1841
6	Areas	1842
7	Documentation of inspection results	1843
8	Wire ropes and rope end connections	1843
9	Degree of severity	1845
10	Abbreviations Rope diameter	1845
11	Distortions and mechanical damage	1845
12	Removal criteria Overview	1845
13	Checking for broken strands	1846
14	Determining the number of broken wires	1847
15	Checking of rope diameter	1851
16	Checking for corrosion	1853
17	Corkscrew-like distortion	1856
18	Basket formation	1857
19	Protruding, distorted insert or strand	1857
20	Loop formation	1858

21	Kinking or rope loops pulled closed	1859
22	Buckles	1860
23	Effects of heat, arcs	1861
24	Combined degree of severity	1861
25	Flattenings	1861
26	Current checklist	1864
8.05 Inspection of load hooks		1866
1	Safety guidelines	1867
2	Inspection intervals	1867
3	Inspecting and monitoring the load hook	1867
8.06 Inspection of hydraulic hose lines		1870
1	Safety guidelines	1871
2	Inspection intervals	1871
3	Checking the end of the service life	1871
4	Inspecting the hydraulic hose lines for damage	1872
5	Inspecting the hydraulic hose lines for leaks	1873
6	Documenting the inspection	1873
7	Replacing hydraulic hose lines	1873
8.12 Inspection of safety switching on the relapse supports		1876
1	S-boom relapse retainer	1877
2	Derrick relapse retainer	1879
3	W-lattice jib	1881
8.14 Inspection of accumulator pressure in relapse cylinder		1888
1	Checking jib stop cylinder pressure	1889
8.15 Inspection of guy rods		1890
1	Safety guidelines	1891
2	Inspection intervals	1891
3	Checking the guy rods	1891
8.17 Inspection of ladders		1894
1	Safety guidelines	1895
2	Inspection intervals	1895
3	Inspecting ladders	1895
4	Inspection sheet and check list	1895
8.90 Inspection chart for cranes		1900
1	Inspection chart for recurring inspections of Liebherr cranes	1901
90 Attachment		1911
90.01 Foreword to attachment		1912
1	Preface	1913
90.05 Update confirmation		1914
1	Update confirmation	1915
2	Customer information	1915

1 Description of crane

LWE/LR 11350-005/19004-04-02/en

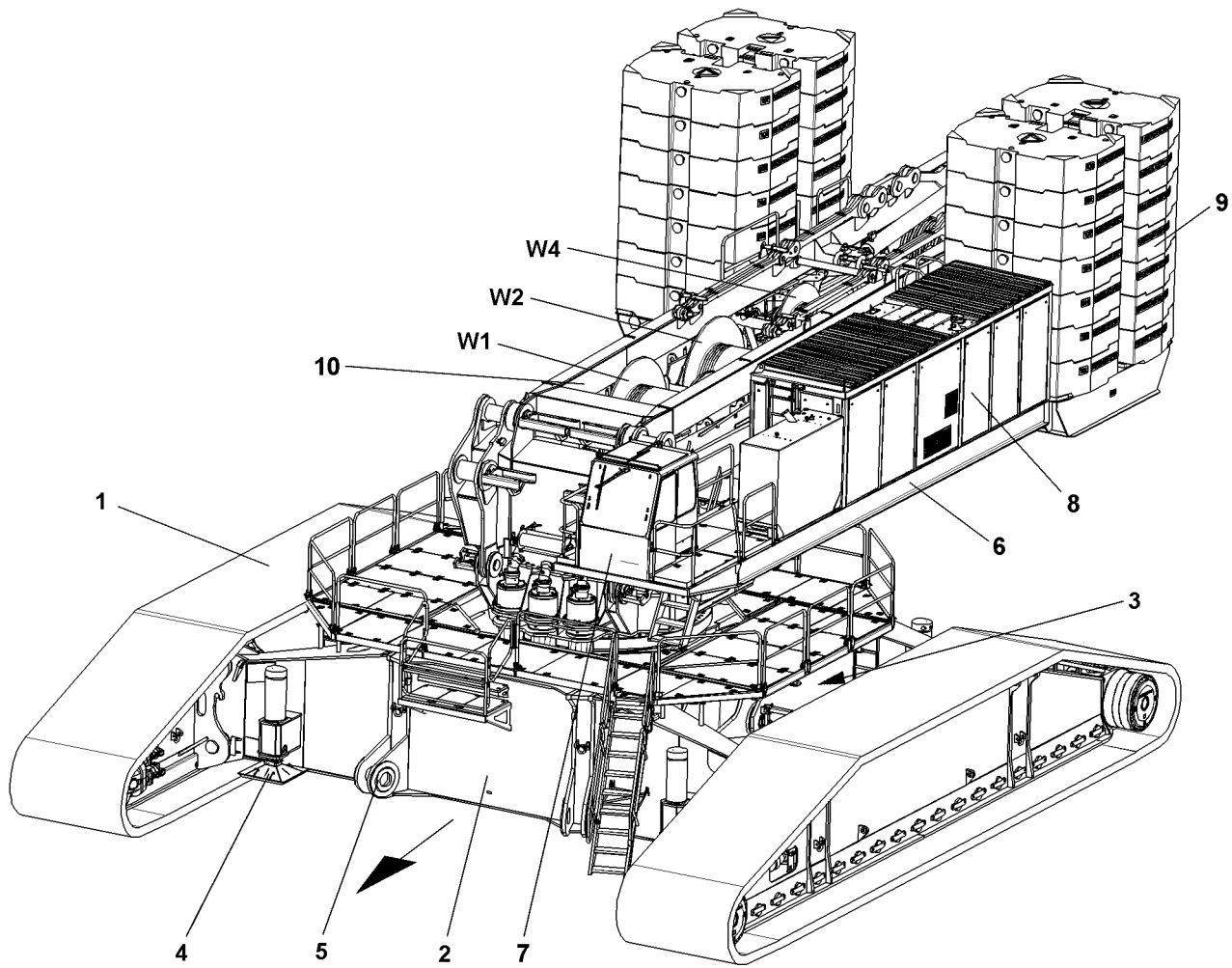


Fig.102385

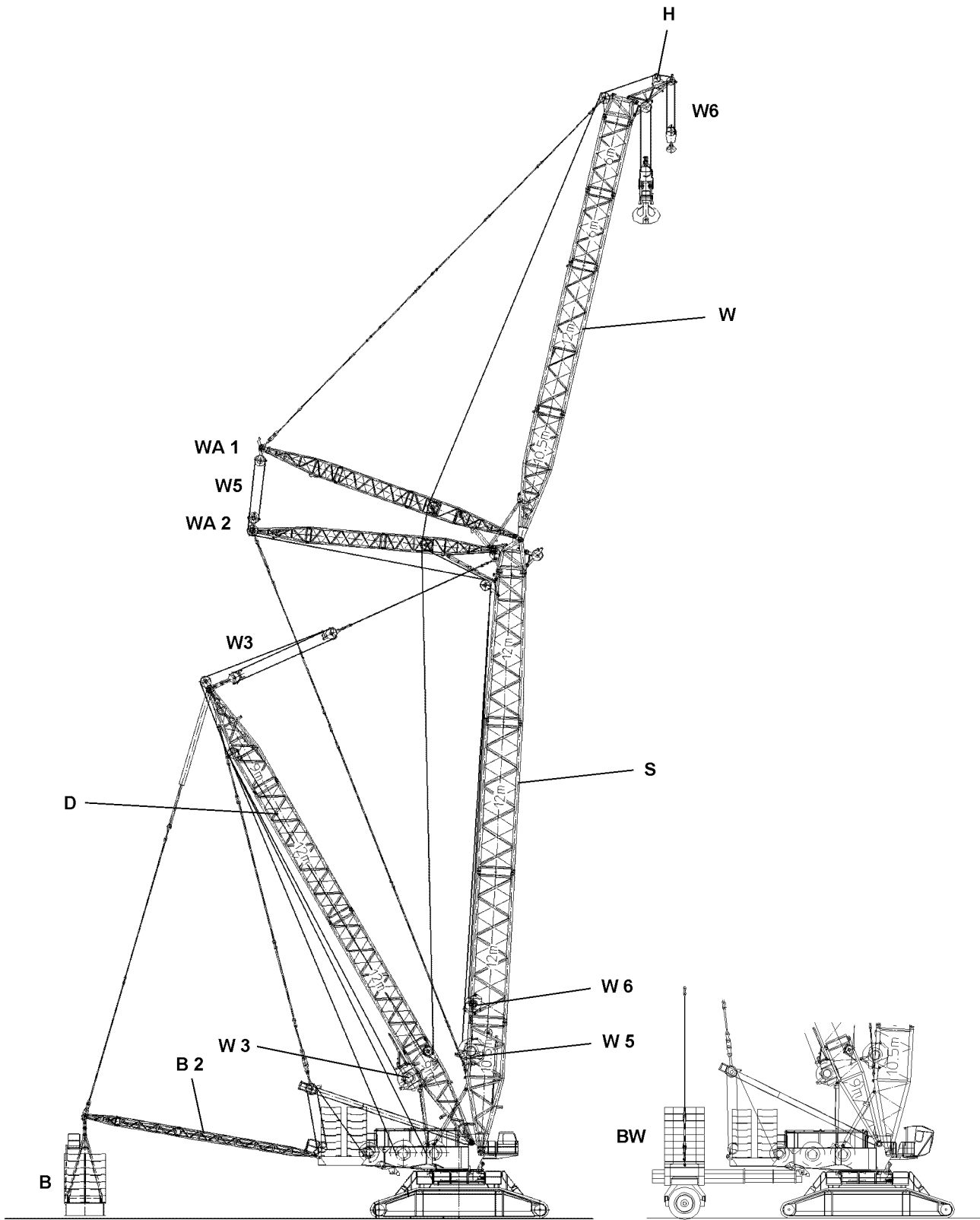
1 Component overview

1.1 Crawler travel gear

- 1 Crawler carrier
- 2 Cross carrier
- 3 Crawler center section with turning device
- 4 Hydraulic assembly supports
- 5 Mechanical auxiliary supports

1.2 Turntable

- 6 Turntable
- 7 Crane operator's cab
- 8 Crane engine
- 9 Counterweight
- 10 SA-frame
- W1** Winch 1
- W2** Winch 2
- W4** Winch 4



LWE/LR 11350-005/19004-04-02/en

Fig.104753

1.3 Boom

- WA1** WA-frame 1
- WA2** WA-frame 2
- W3** Winch 3
- W5** Winch 5
- W6** Winch 6
- H** Boom nose
- W** Luffing lattice jib
- S** Lattice mast - main boom, heavy duty version
- D** Derrick

1.4 Derrick ballast



Note

- The suspended ballast and ballast trailer are generally referred to as **derrick ballast**.
-

- B** Suspended ballast **without** guide
- B2** Suspended ballast **with** guide
- BW** Ballast trailer

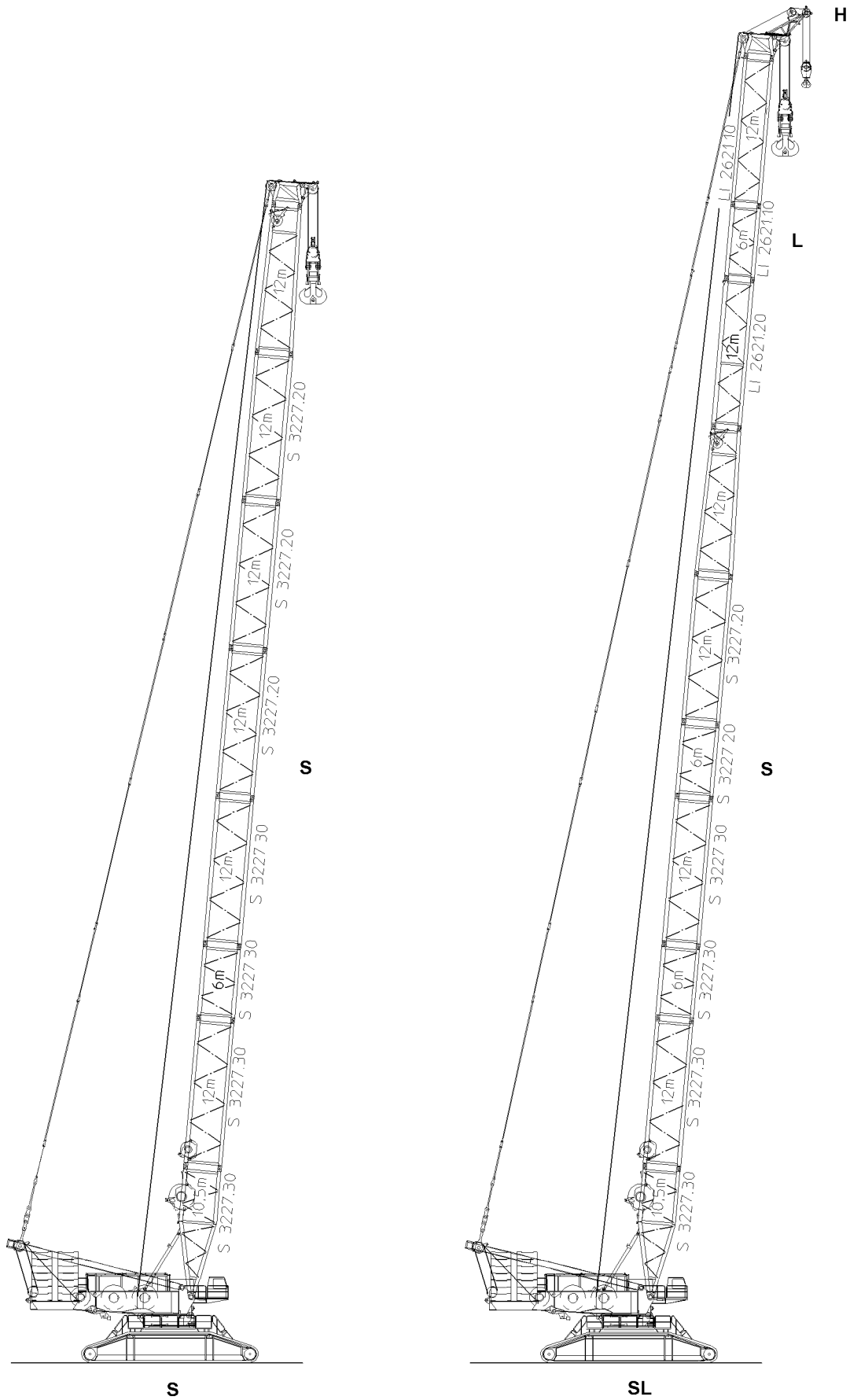


Fig.104487

LWE/LR 11350-005/19004-04-02/en

2 Boom systems

2.1 Abbreviations

S = Lattice mast - main boom (heavy duty version)

SL = Lattice mast - main boom **S**, supplemented on top with light **L** lattice sections

W = Luffing lattice jib with **long** WA-frames, 21.5m

W2 = Luffing lattice jib with **short** WA-frames, 15.5m

H = Boom nose

2.1.1 S - boom combination

S = Lattice mast - main boom, heavy duty version

S = 30.00 m – 90.00 m

2.1.2 SL - boom combination

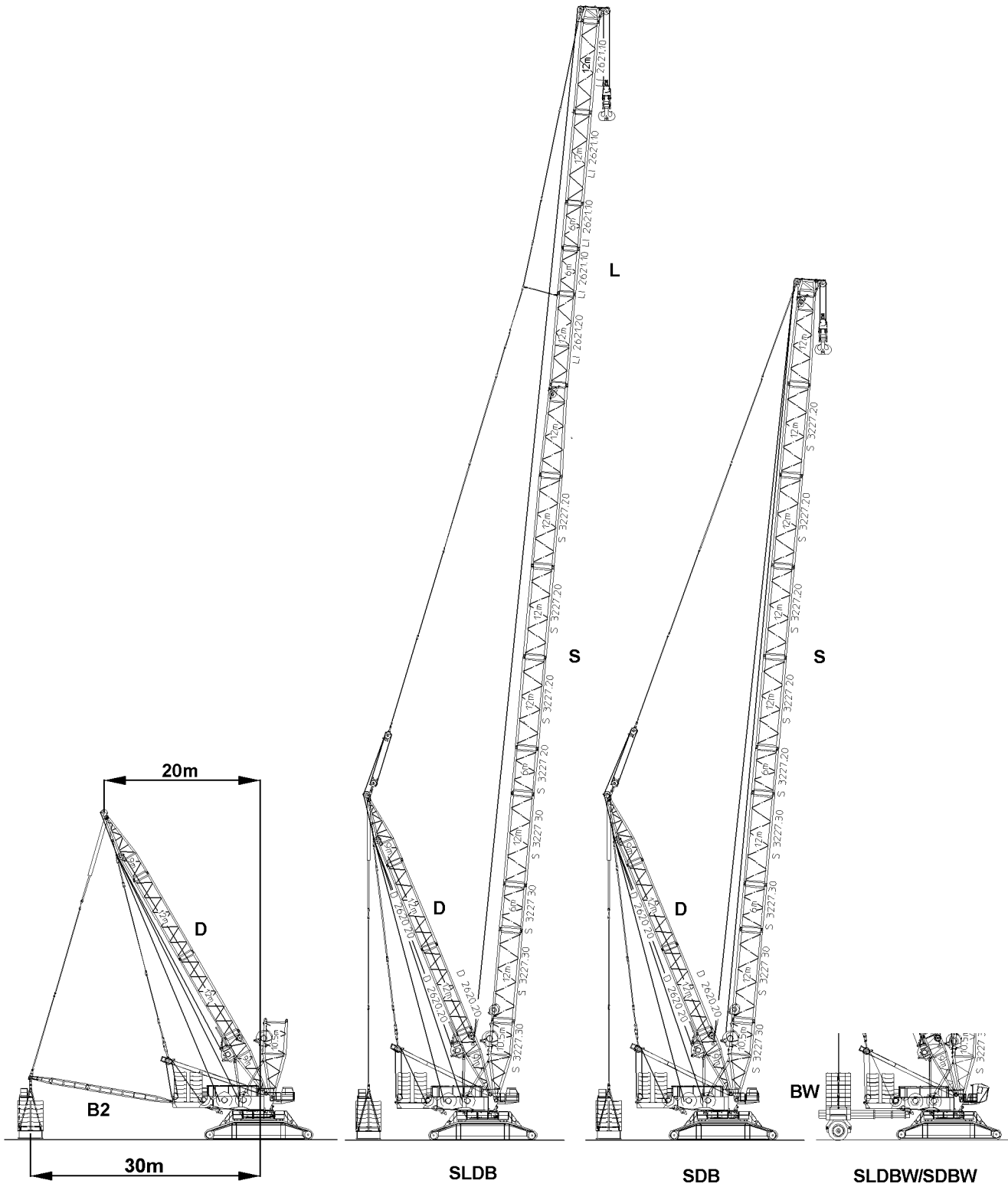
SL = Lattice mast - main boom **S**, supplemented on top with light **L** lattice sections

SL = 42.00 m – 102.00 m

2.1.3 SL(H) - boom combination

SL = Lattice mast - main boom **S**, supplemented on top with light **L** lattice sections

SL(H) = 42.00 m – 90.00 m



LWE/LR 11350-005/19004-04-02/en

Fig.104488

2.1.4 SLDB/SLDB2 - boom combination

SLDB = SL-boom with derrick and suspended ballast

SL = 48.00 m – 144.00 m

D = 42.00 m

2.1.5 SDB/SDB2 - boom combination

SDB = S-boom with derrick and suspended ballast

SDB = 48.00 m – 150.00 m

D = 42.00 m

2.1.6 SLDBW - boom combination

SLDBW = SL-boom with derrick and ballast trailer

SL = 48.00 m – 144.00 m

D = 42.00 m

2.1.7 SDBW - boom combination

SDBW = S-boom with derrick and ballast trailer

S = 48.00 m – 150.00 m

D = 42.00 m

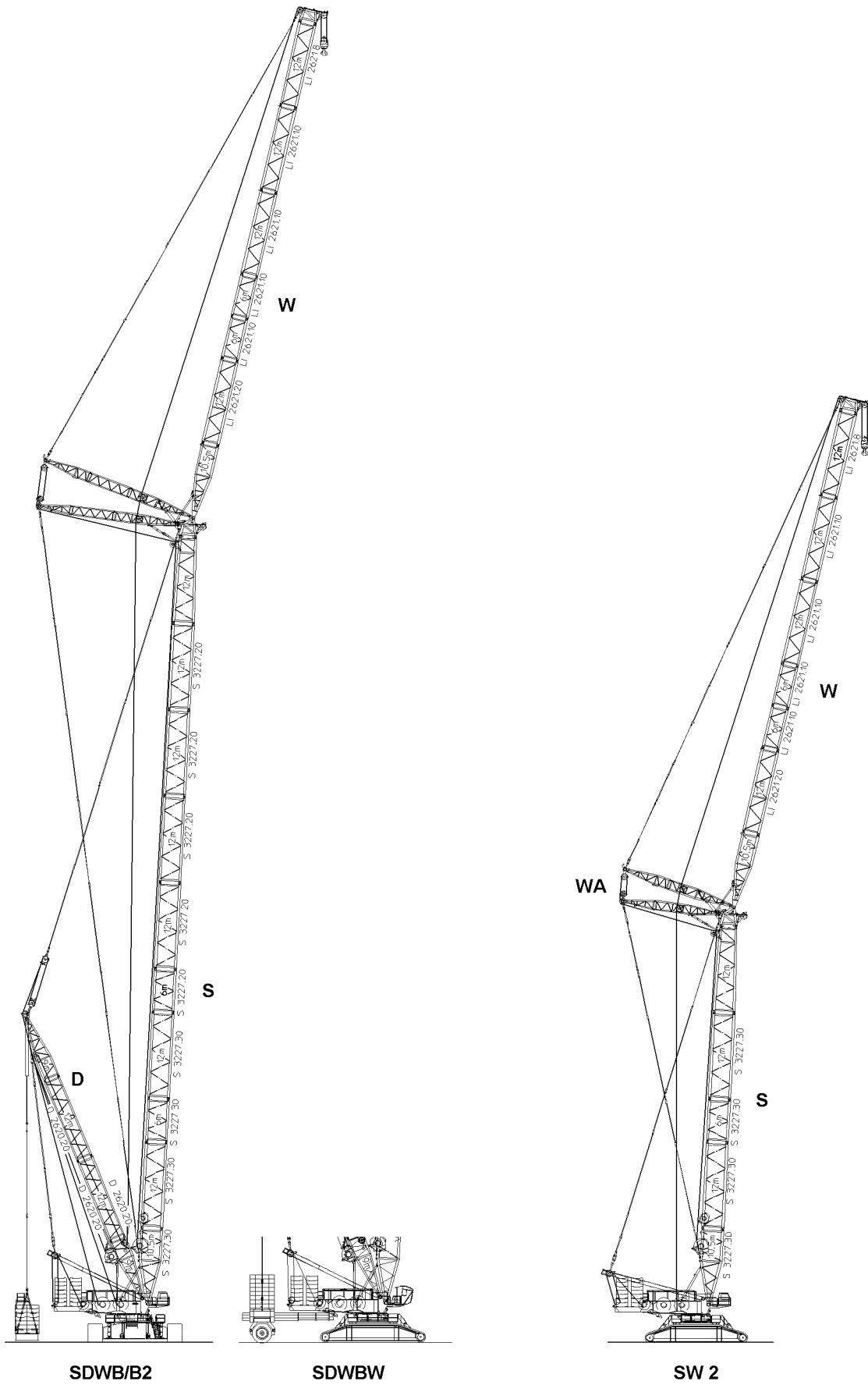


Fig.104751

LWE/LR 11350-005/19004-04-02/en

2.1.8 SDWB/SDWB2 - boom combination

SDWB = S-boom with derrick, luffing lattice jib and suspended ballast

S = 48.00 m – 114.00 m

D = 42.00 m

W = 36.00 m – 72.00 m

with **long** WA-frames 21.5 m

2.1.9 SDWBW - boom combination

SDWBW = S-boom with derrick, luffing lattice jib and ballast trailer

S = 48.00 m – 114.00 m

D = 42.00 m

W = 36.00 m – 72.00 m

with **long** WA-frames 21.5 m

2.1.10 SW2 - boom combinations

SW = S-boom with luffing lattice jib and short WA-frames

S = 54.00 m

W = 84.00 m

S = 66.00 m

W = 48.00 m



Note

► W2 designates short WA-frames (15.5m)

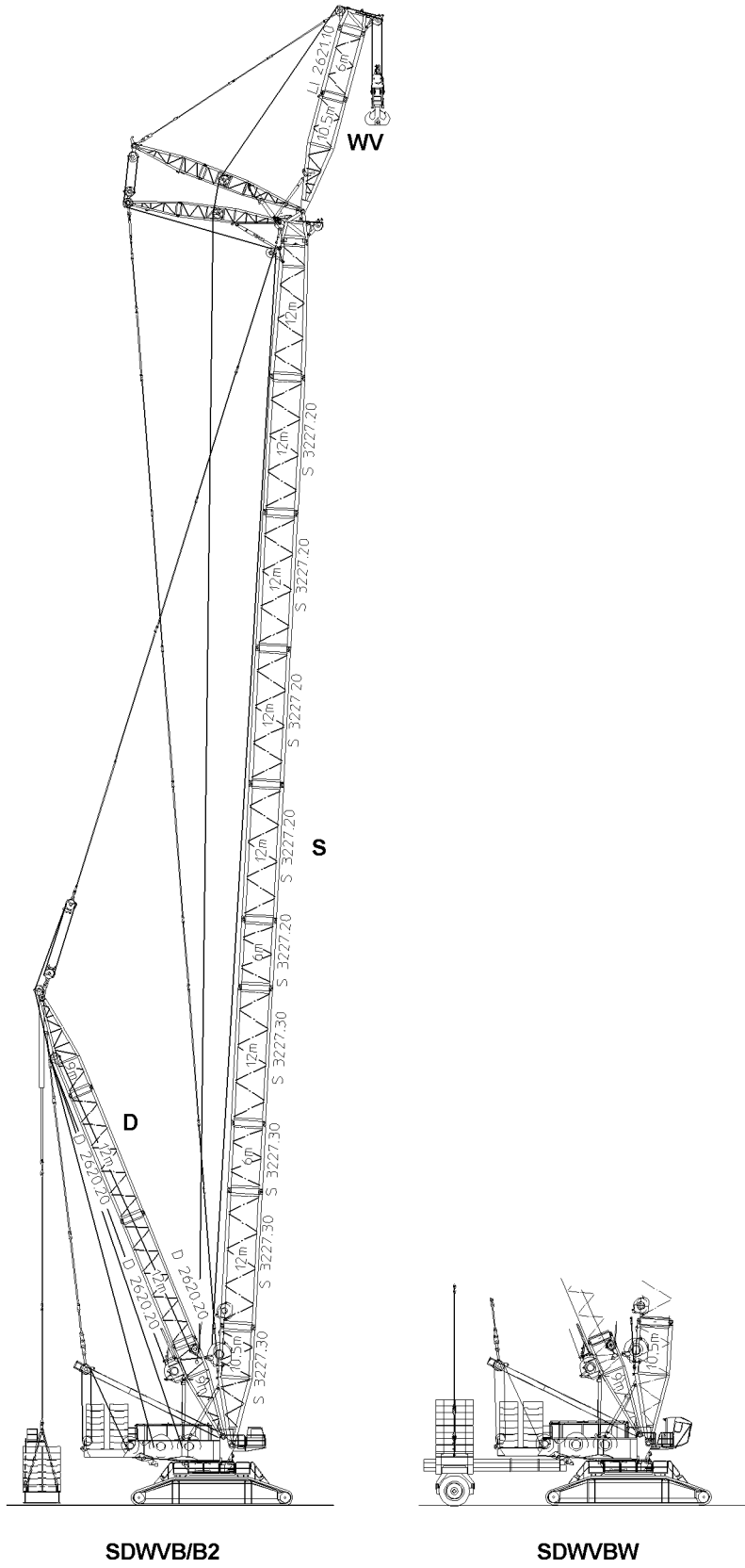


Fig.104752

2.1.11 SDWVB/SDWB2 - boom combination

SDWVB = S-boom with derrick, WV-lattice jib with an operating range of 12° to 20° to S-boom, suspended ballast

Length of WV-lattice jib, 12.00 m **or** 18.00 m

S = 48.00 m to 114.00 m

D = 42.00 m

with **short** WA-frames 15.5 m

2.1.12 SDWVBW - boom combination

SDWVBW = S-boom with derrick, WV-lattice jib with an operating range of 12° to 20° to S-boom, ballast trailer

Length of WV-lattice jib, 12.00 m **or** 18.00 m

S = 48.00 m to 114.00 m

D = 42.00 m

with **short** WA-frames 15.5 m

Fig.195219

LWE/LR 11350-005/19004-04-02/en

1 Crawler travel gear

1.1 Frame

In-house manufactured, distortion-resistant welding structure made from high-strength, close-grained structural steel, consisting of a center section, two cross carriers and two crawler carriers.

The crawler carriers can be removed and can be installed / removed by the crane itself.

1.2 Tracks

Maintenance free, dirt protected crawler track with flat track pads.

Pad width: 2.0 m

Pad width: 2.5 m *

Track width: 11.0 m

1.3 Central ballast

30 t consisting of four ballast plates with 7.5 t each.

1.4 Drive

Drive: 4 way

Hydraulic travel drives with planetary gears.

The crawler chains can be controlled independently and in the opposite direction.

There is no preferred travel direction.

1.5 Travel power

Stepless speed from 0 km/h to 1.05 km/h.

2 Crane superstructure

2.1 Frame

Liebherr turntable frame, consisting of turntable front section, turntable rear section with winch 4, SA-frame and machine house with catwalk and crane operator's cab.

Connection to the crawler center section via roller ring connection, with 360° rotation.

2.2 Diesel engine

- Number of cylinders: 6
- Make: CUMMINS

2.2.1 Engine type QSK23 860

Performance: 641 KW at 2100 rpm

Maximum torque: 3525 Nm at 1400 rpm

2.3 Winch 1

Standard hoist winch. Hydraulically driven via axial piston displacement pumps and integrated planetary gears.

2.4 Winch 2

Second hoist winch.

2.5 Winch 4

Intake gear.

2.6 Reeving winch

Auxiliary winch to reeve in the hoist ropes or control ropes.

2.7 Slewing gear

Two slewing gears.

Hydraulically driven via axial piston displacement pumps and integrated planetary gears.

2.8 Crane operator's cab

With safety glass, tiltable to the rear, heat deflecting glass, roof window with impact-proof glass, with operating elements and control instruments, warm water auxiliary heater*.

2.9 Crane control

All crane movements are controlled independently of each other via joysticks.

2.10 Counterweight

340.0 t , consists of: Two consoles 2 x 10.0 t and 32 counterweight plates* with 10.0 t each.

2.11 Safety systems

LICCON overload system, hoist limitation, electronic incline display, safety valves against pipe and hose bursts.

2.12 Electrical system

24 Volt direct current, 4 batteries with 225 Ah each.

3 Boom systems

3.1 Main boom S-system

With end section for maximum load capacity on the S-system.

Boom lengths from S 36 m to S 90 m.

Boom lengths from SDB 48 m to SDB 150 m with derrick system.

3.2 Main boom P-system

Only in connection with derrick system D.

With end section for maximum load capacity on the P-system.

Boom lengths of PD(B) 48 m to PD B150 m.

3.3 Luffing lattice jib W-system

Can be installed on S-system.

Can be installed on P-system.

With end section for maximum load capacity on the W-system.

Lengths of luffing lattice jib from 36 m to 84 m.

For crane operation with luffing lattice jib, winch 5 is required.

3.4 Heavy duty jib WV

Use of existing lattice sections of W-system.

Can be installed on S-system.

Can be installed on P-system.

Operating range between 12° and 20° to S-boom.

Lengths: 12 m or 18 m

3.5 Derrick boom D-system

For crane operation with derrick boom, winch 3 is required.

4 Auxiliary equipment

4.1 Ballast pallet B

For maximum Derrick ballast of 600 t.

Stepless derrick ballast radius: 15 m to 25 m.

Maximum possible derrick ballast radius with guide frame: 30 m.

4.2 Ballast trailer BW

For maximum Derrick ballast of 600 t.

Stepless derrick ballast radius: 15 m to 25 m or 20 m to 30 m.

Maximum possible derrick ballast radius: 30 m.

4.3 Derrick ballast

Ballast plates with a total weight of 600 t.

4.4 Winch 3

Adjustment of main boom in derrick operation.

4.5 Winch 5

Adjustment of luffing lattice jib.

4.6 Winch 6

Auxiliary hoist gear

4.7 Boom nose 60 t

For installation on S-, SL-, W- or WV-end section.

4.8 Hydraulic assembly support

Consisting of four support cylinders including support plates, installed on cross carriers of crawler travel gear.

Lifting the basic machine for installation or removal.

4.9 Mechanical auxiliary support

To erect long boom combinations without derrick ballast.

4.10 Hydraulic assembly cylinder

For self-assembly / self-disassembly of crawler travel gear.

4.11 Pin pulling device

Including mobile hydraulic aggregate.

For pinning and unpinning the S-, L- and W-lattice sections.

Empty page!

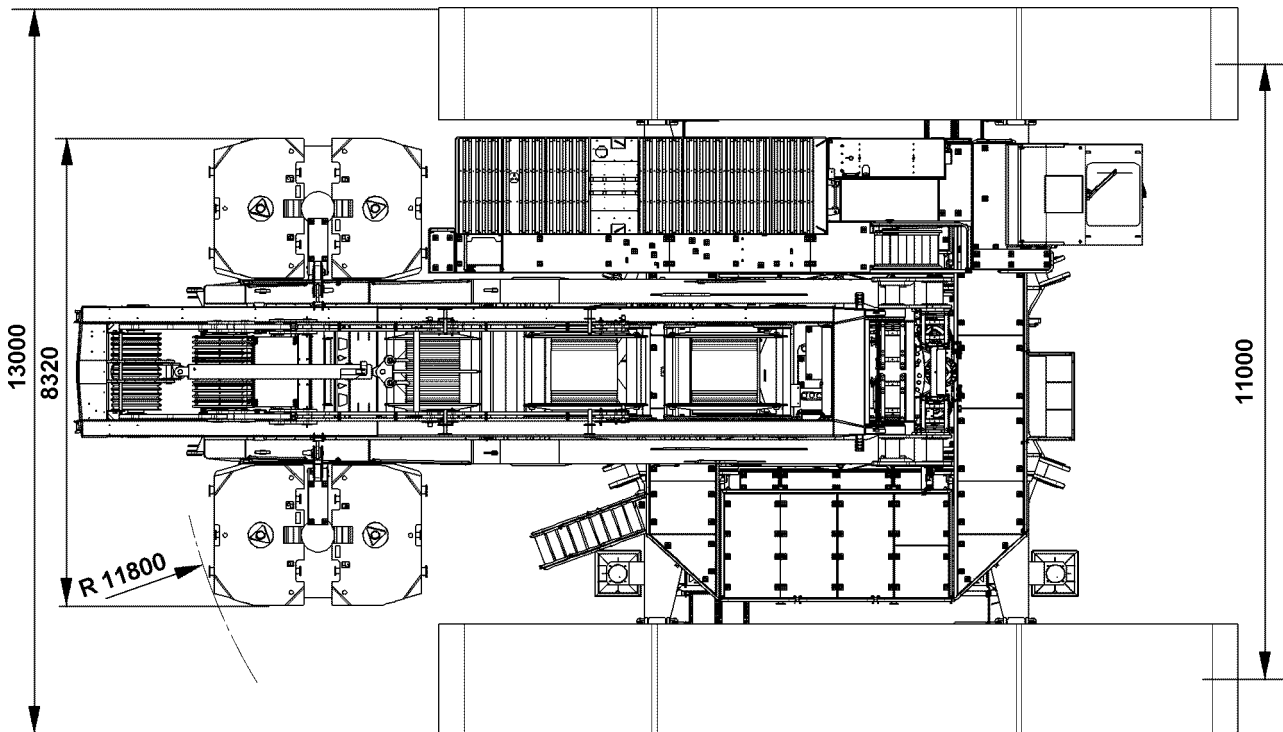
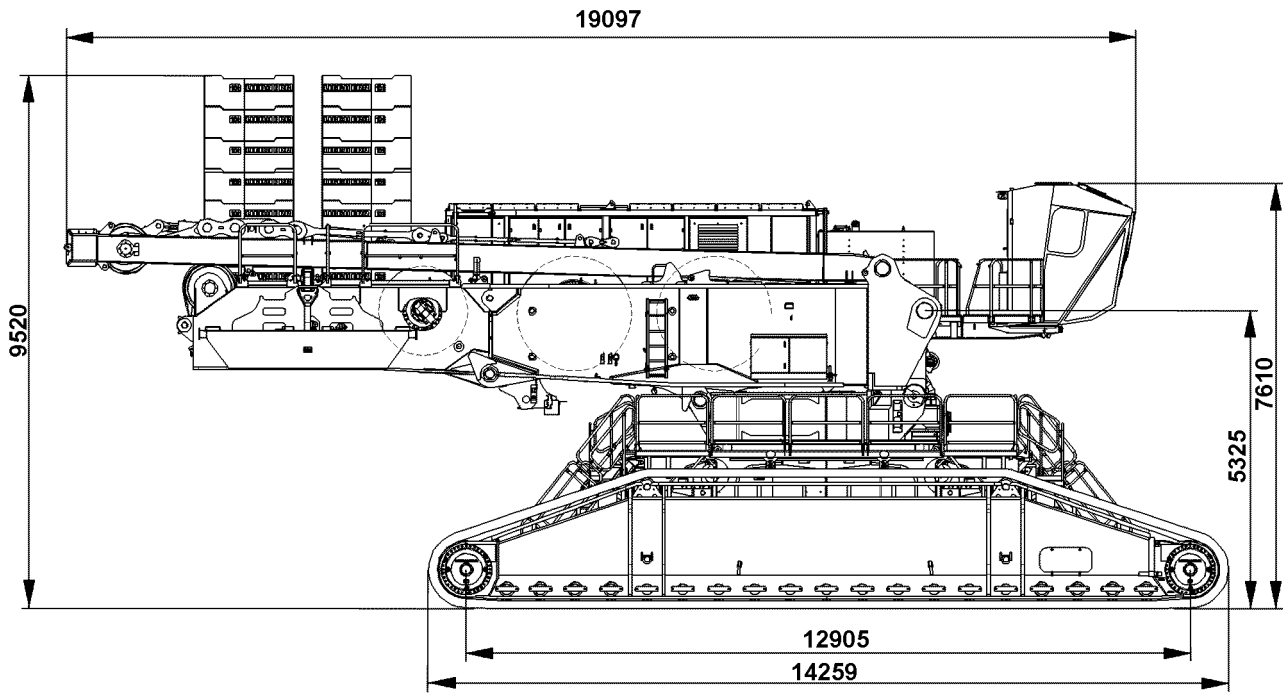


Fig.102880

LWE/LR 11350-005/19004-04-02/en

1 Dimensions and weights

1.1 Dimensions of crawler travel gear with crane superstructure

**Note**

► For dimensions, see opposite illustration.

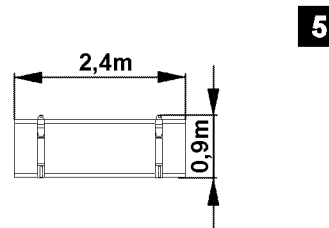
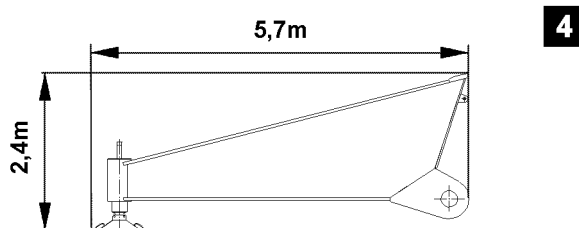
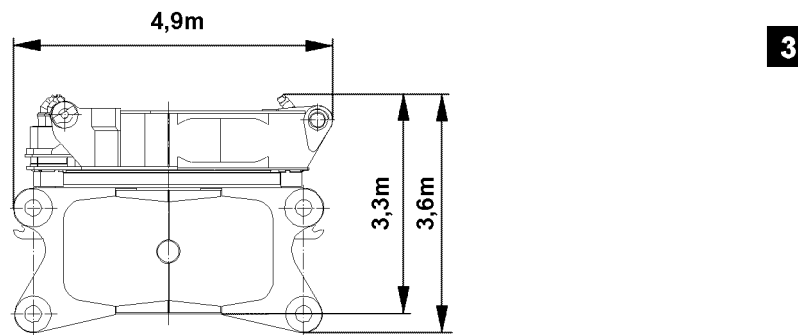
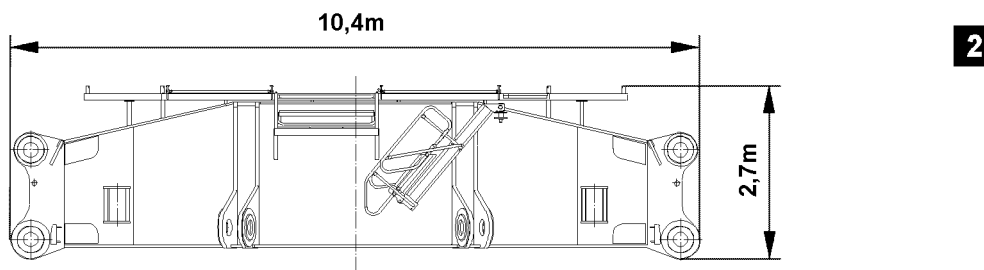
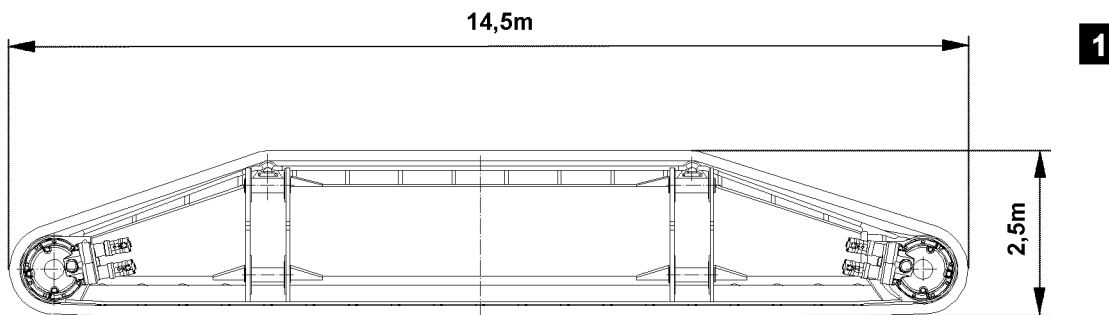


Fig.103124

LWE/LR 11350-005/19004-04-02/en

1.2 Crawler carrier

1 See illustration

Component	Weight
Crawler carrier including two travel drives and track pads ¹⁾	70.5 t
Crawler carrier including two travel drives without track pads	38.5 t

1) Track pad width: 2,0 m

1.3 Cross carrier

See illustration 2.

Weight	Width
45.0 t	2.6 m

1.4 Crawler center section with turning device

See illustration 3.

Weight	Width
43.0 t	3.5 m

1.5 Mechanical auxiliary support

See illustration 4.

Weight	Width
5.8 t	0.9 m

1.6 Auxiliary weight crawler travel gear

See illustration 5.

Weight	Width
7.5 t	1.2 m

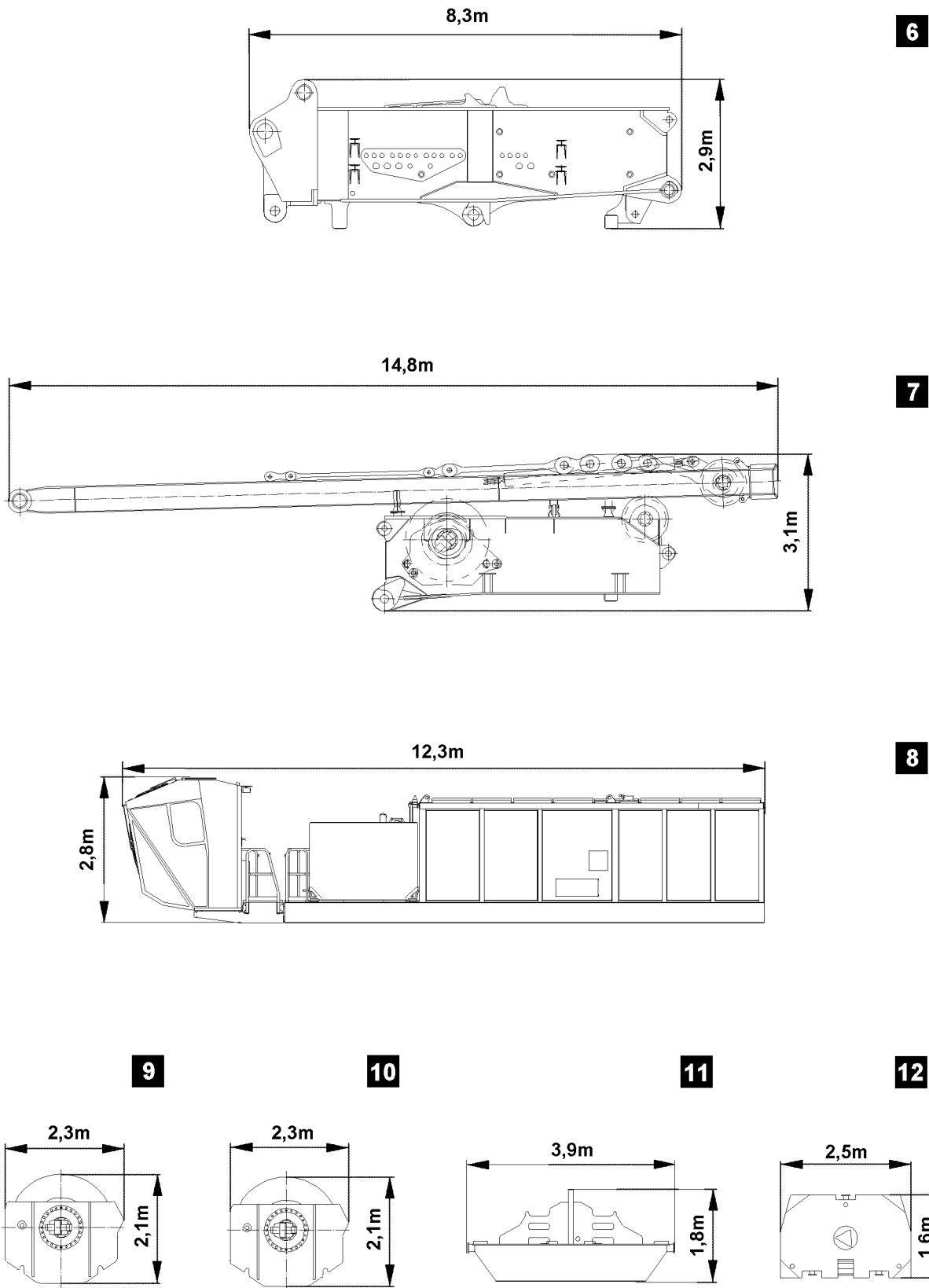


Fig.103125

LWE/LR 11350-005/19004-04-02/en

1.7 Turntable, front section

See illustration 6.

Weight	Width
30.8 t	3.4 m

1.8 Turntable, rear section with SA-frame and winch 4

See illustration 7.

Weight	Width
44.0 t	3.3 m

1.9 Machine house with catwalk and cab

See illustration 8.

Weight	Width
17.6 t	2.5 m

1.10 Winch 1

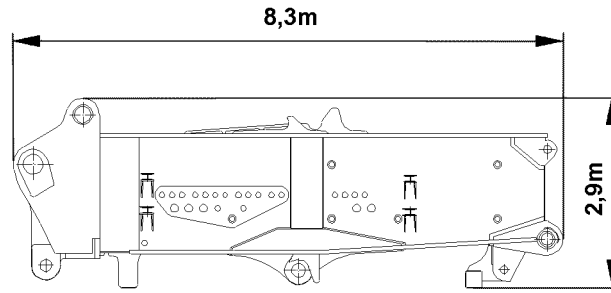
See illustration 9.

Weight	Width
22.8 t	2.3 m

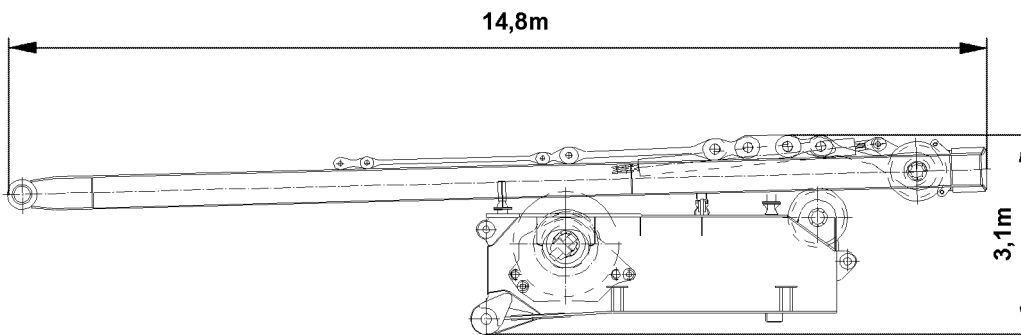
1.11 Winch 2

See illustration 10.

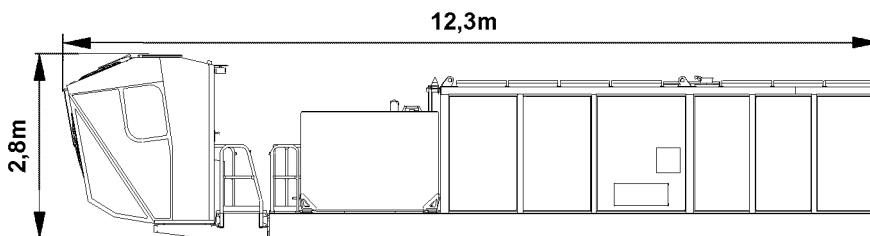
Weight	Width
22.8 t	2.3 m



6

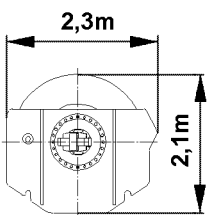


7

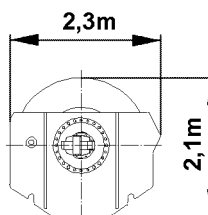


8

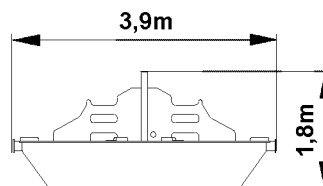
9



10



11



12

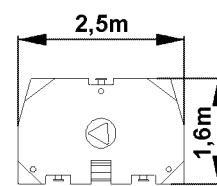


Fig.103125

1.12 Base plate counterweight

See illustration 11.

Weight	Width
10.2 t	2.5 m

1.13 Counterweight

See illustration 12.

Weight	Width
10.0 t	0.6 m

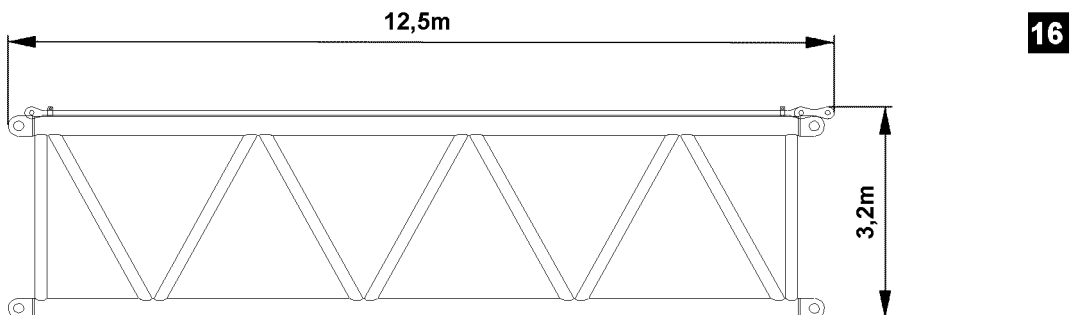
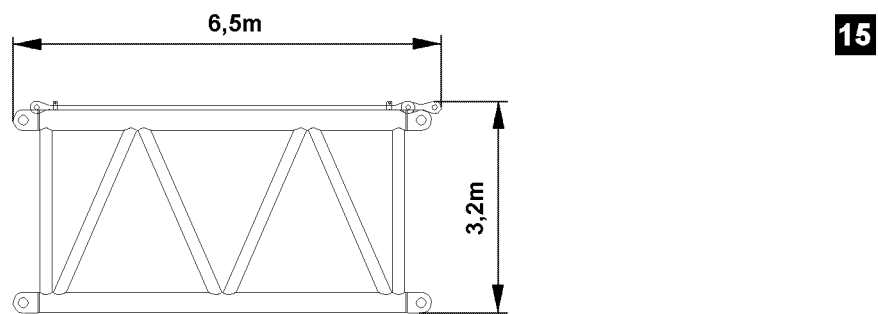
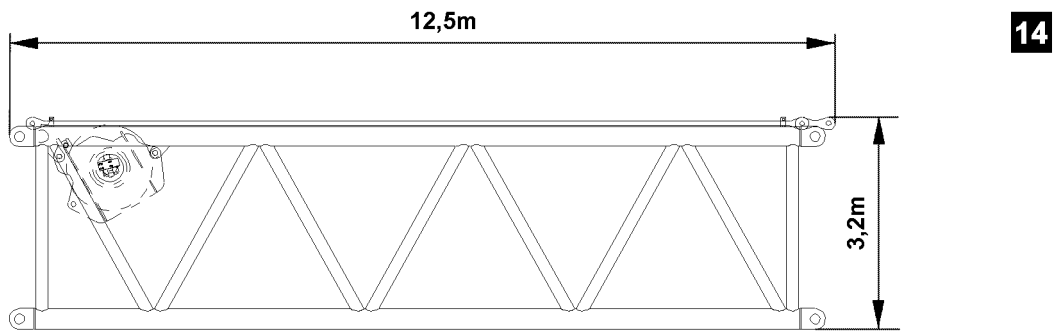
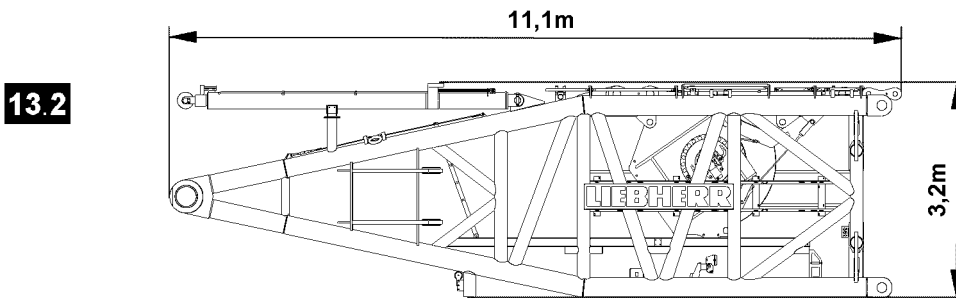
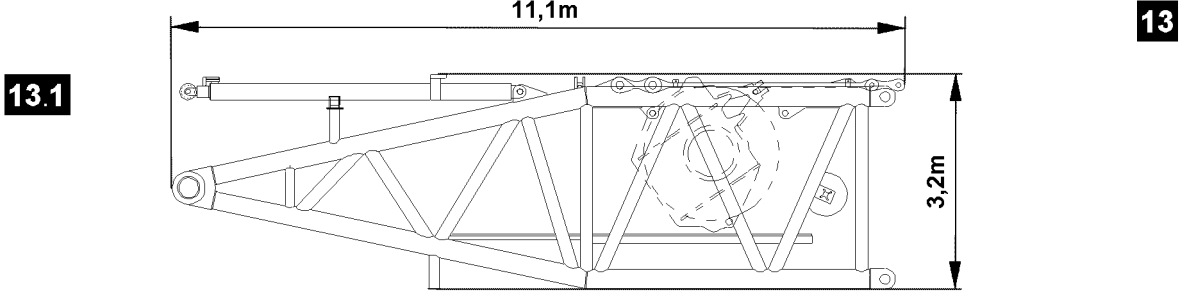


Fig.115417

LWE/LR 11350-005/19004-04-02/en

1.14 S-pivot section 10.5 m for S-operating modes

See illustration 13.1.

Weight	Width
48.4 t ¹⁾	3.5 m
26.2 t ²⁾	3.5 m

1) with winch 5

2) without winch 5

1.15 S-pivot section 10.5 m reinforced, for S-operating modes and P-operating modes

See illustration 13.2.

Weight	Width
56.5 t ¹⁾	3.5 m
35.5 t ²⁾	3.5 m

1) with winch 5

2) without winch 5

1.16 S-intermediate section 12 m , 3227.30

See illustration 14.

Weight	Width
25.6 t ¹⁾	3.5 m
18.4 t ²⁾	3.5 m

1) with winch 6

2) without winch 6

1.17 S-intermediate section 6 m , 3227.30

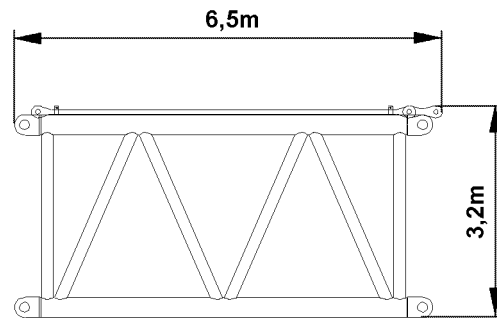
See illustration 15.

Weight	Width
9.9 t	3.5 m

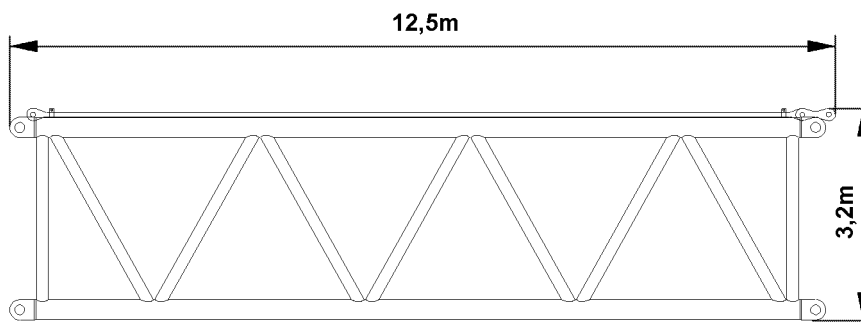
1.18 S-intermediate section 12 m , 3227.30

See illustration 16.

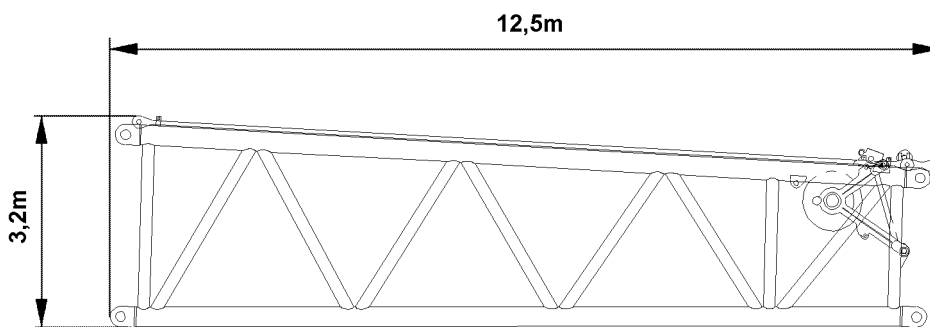
Weight	Width
18.2 t	3.5 m



17

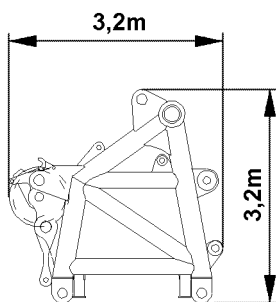


18

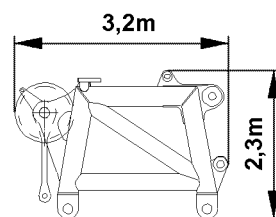


19

20



21



22

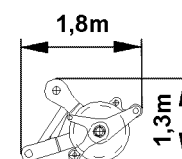


Fig.103136

LWE/LR 11350-005/19004-04-02/en

1.19 S-intermediate section 6 m , 3227.20

See illustration 17.

Weight	Width
8.8 t	3.5 m

1.20 S-intermediate section 12 m , 3227.20

See illustration 18.

Weight	Width
15.5 t	3.5 m

1.21 S-adapter 12 m

See illustration 19.

Weight	Width
17.9 t	3.5 m

1.22 W-connector head 1.5 m , 675 t

See illustration 20.

Weight	Width
10.0 t	3.5 m

1.23 S/W-end section 1.5 m , 1350 t

See illustration 21.

Weight	Width
8.8 t	3.5 m

1.24 Pulley set 675 t

See illustration 22.

Weight	Width
2.8 t	1.9 m

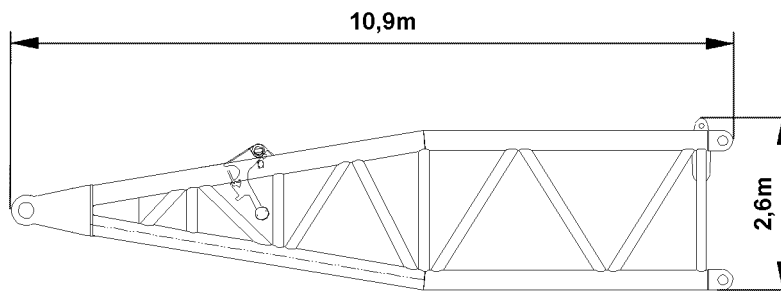
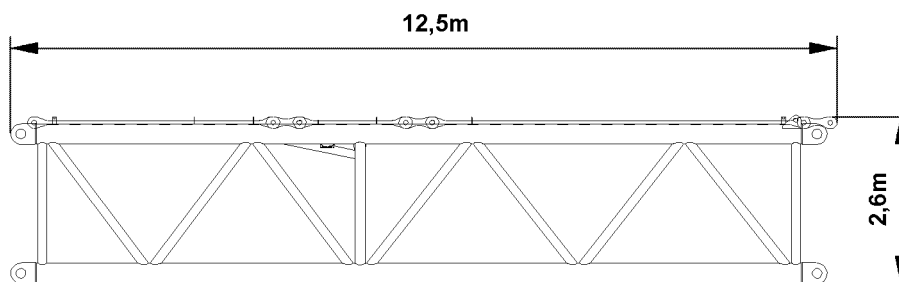
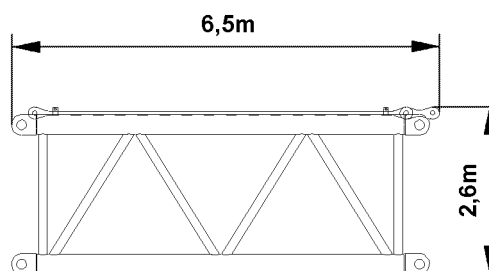
**23****24****25**

Fig.103137

1.25 W-pivot section 10.5 m

See illustration 23.

Weight	Width
12.6 t	3.0 m

1.26 LI-intermediate section 12 m , 2621.20

See illustration 24.

Weight	Width
11.5 t	3.0 m

1.27 LI-intermediate section 6 m , 2621.20

See illustration 25.

Weight	Width
5.9 t	3.0 m

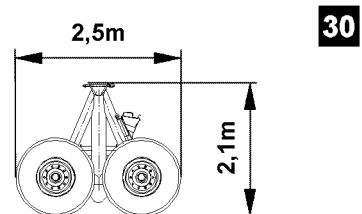
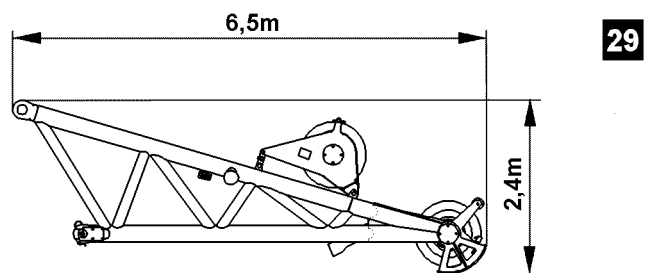
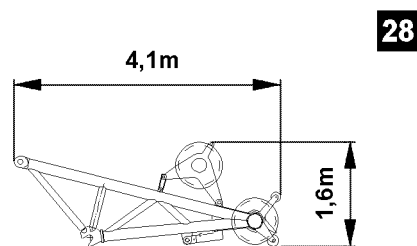
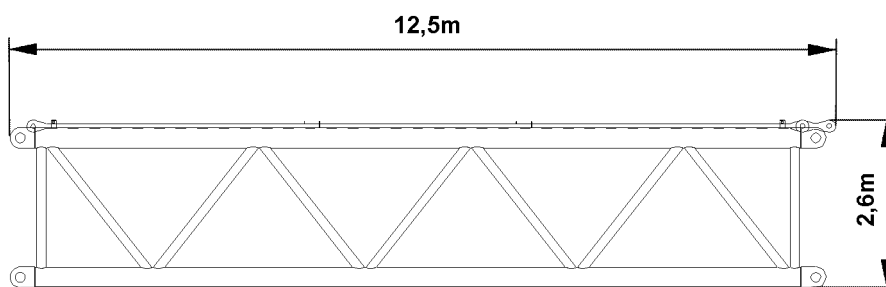
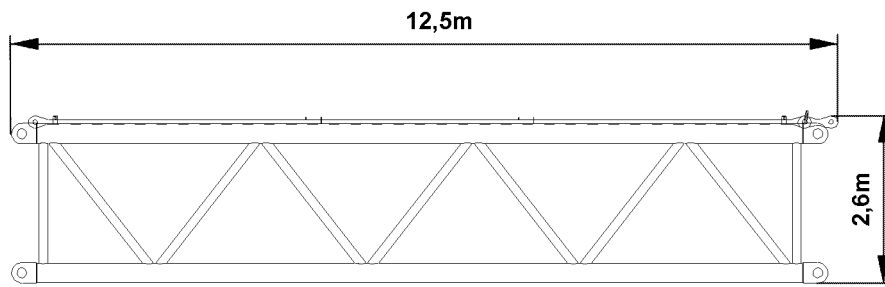


Fig.103138

1.28 LI-intermediate section 12 m , 2621.10

See illustration 26.

Weight	Width
9.8 t	3.0 m

1.29 LI-intermediate section 12 m , 2621.8

See illustration 27.

Weight	Width
8.2 t	3.0 m

1.30 Boom nose 62 t

See illustration 28.

Weight	Width
1.3 t	1.1 m

1.31 Boom nose 120 t

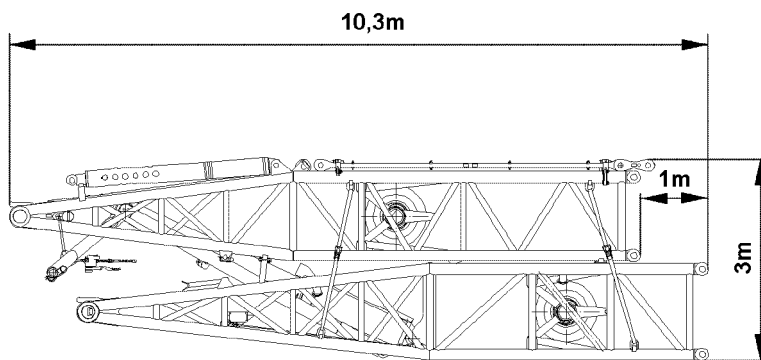
See illustration 29.

Weight	Width
3.8 t	2.3 m

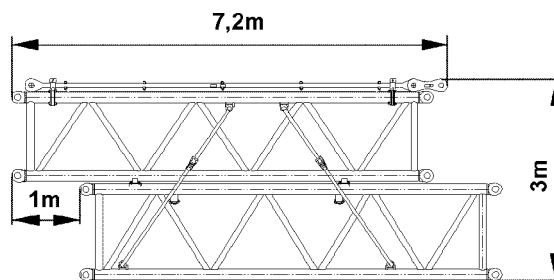
1.32 Erection cart

See illustration 30.

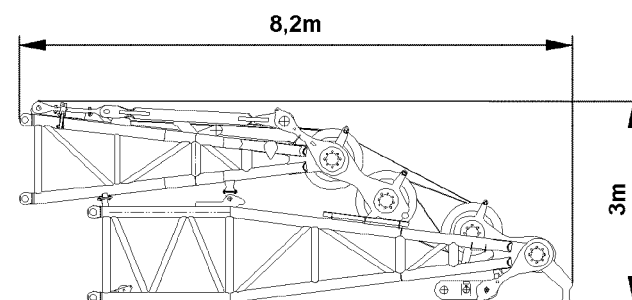
Weight	Width
3.4 t	3.1 m



31



32



33

Fig.102877

LWE/LR 11350-005/19004-04-02/en

1.33 WA-frame 1 + WA-frame 2, pivot section 9 m

See illustration 31.

Weight	Width
15.0 t	3.0 m

1.34 WA-frame 1 + WA-frame 2, intermediate section 6 m

See illustration 32.

Weight	Width
4.9 t	2.9 m

1.35 WA-frame 1, end section 8 m + WA-frame 2, end section 4.5 m

See illustration 33.

Weight	Width
13.0 t	2.9 m

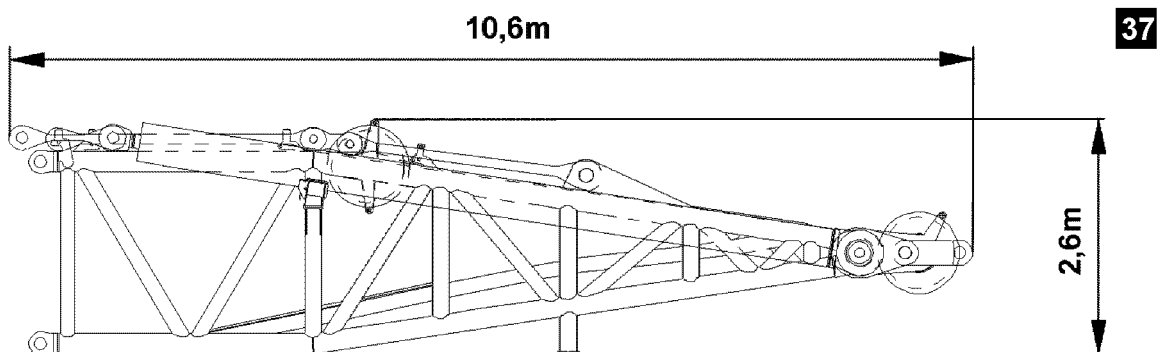
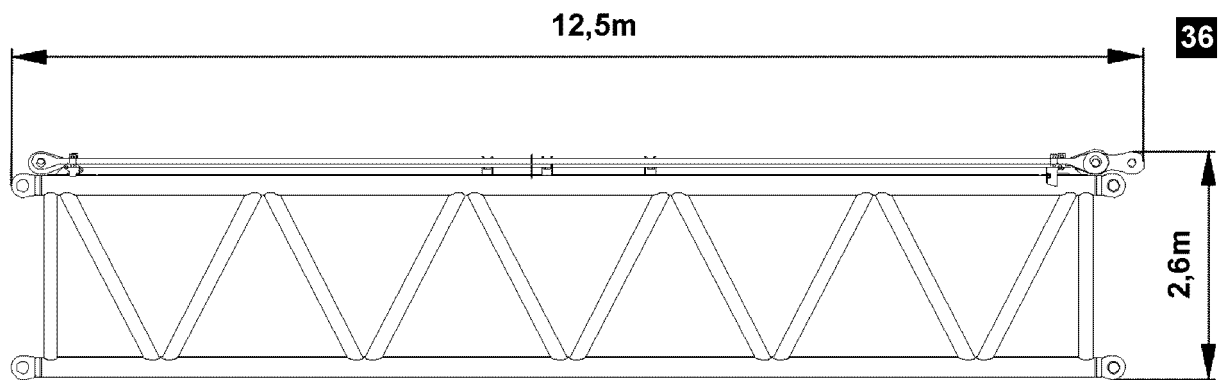
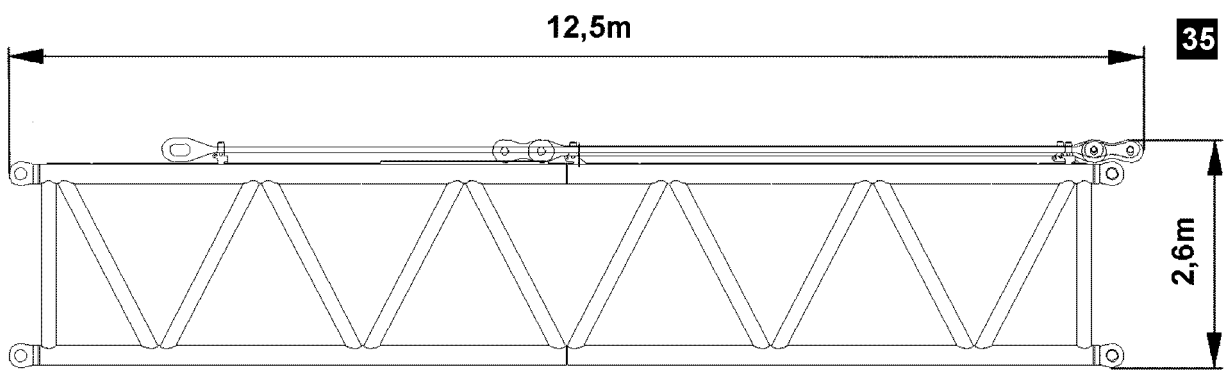
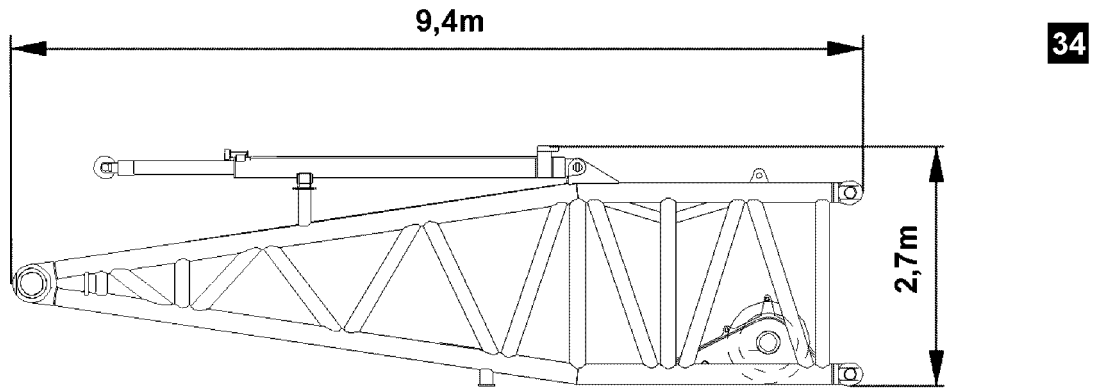


Fig.102878

LWE/LR 11350-005/19004-04-02/en

1.36 D-pivot section 9 m

See illustration 34.

Weight	Width
12.4 t	3.0 m

1.37 D-intermediate section 12 m

See illustration 35.

Weight	Width
12.5 t	3.0 m

1.38 D-reducer section 12 m

See illustration 36.

Weight	Width
12.2 t	3.0 m

1.39 D-end section 9 m

See illustration 37.

Weight	Width
35.6 t	3.5 m

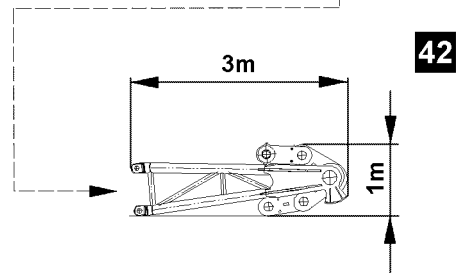
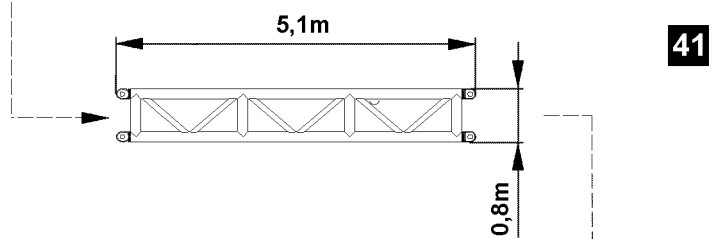
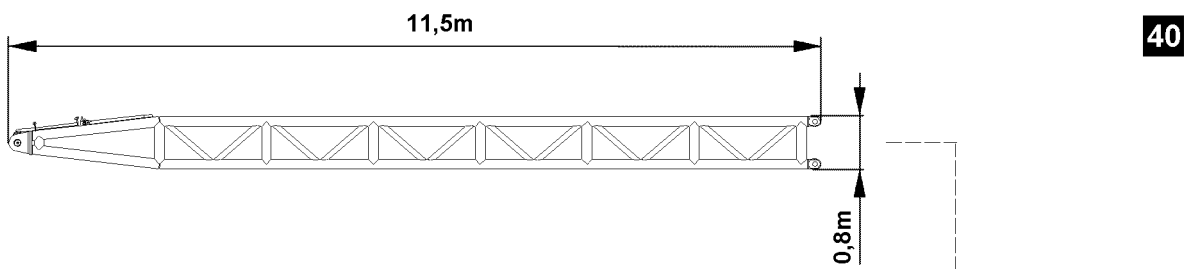
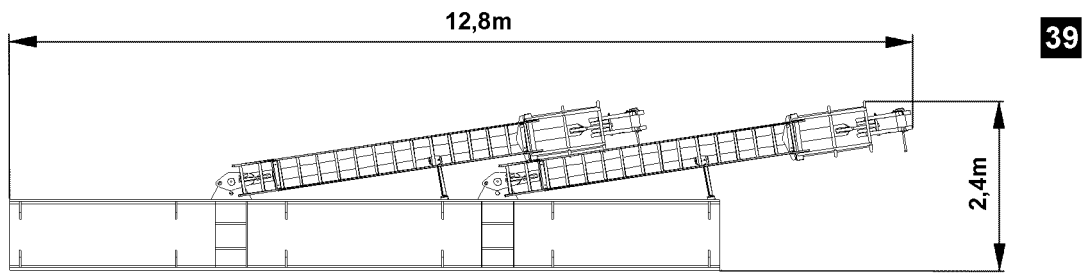
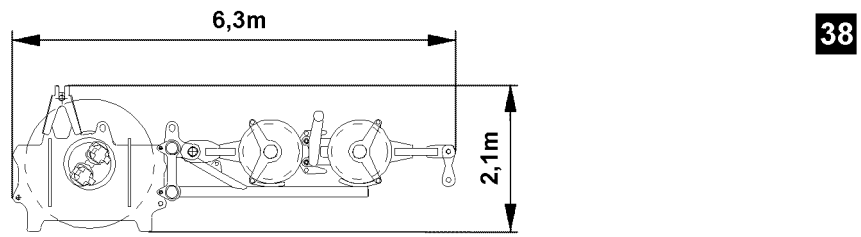


Fig.103139

LWE/LR 11350-005/19004-04-02/en

1.40 Winch 3 with pulley blocks

See illustration 38.

Weight	Width
29.5 t	2.9 m

1.41 Ballast pallet

See illustration 39.

Weight	Width
21.1 t	3.0 m

1.42 Suspended ballast guide pivot section

See illustration 40.

Weight	Width
2.8 t	3.0 m

1.43 Suspended ballast guide intermediate section

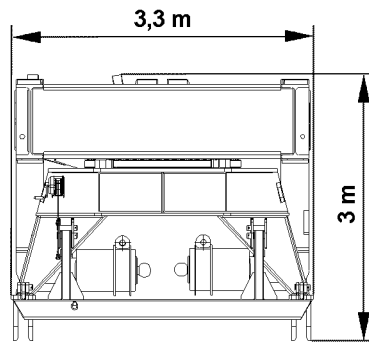
See illustration 41.

Weight	Width
1.2 t	3.0 m

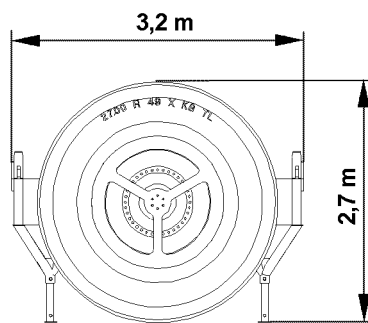
1.44 Suspended ballast guide end section

See illustration 42.

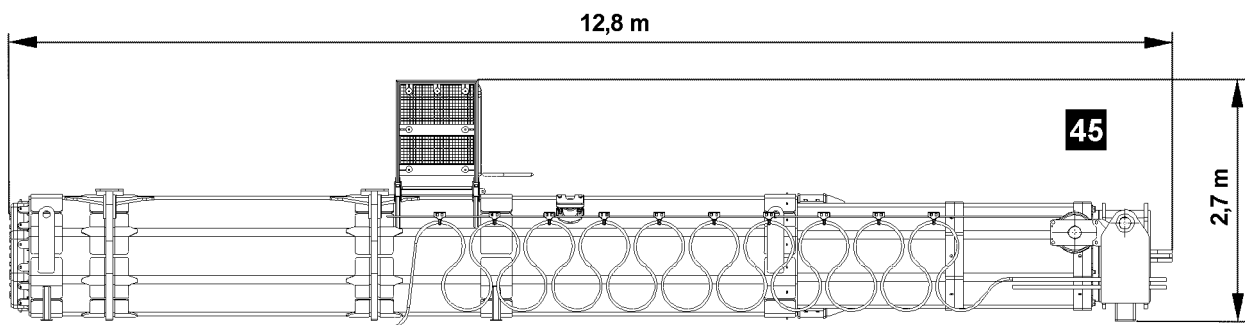
Weight	Width
3.1 t	4.3 m



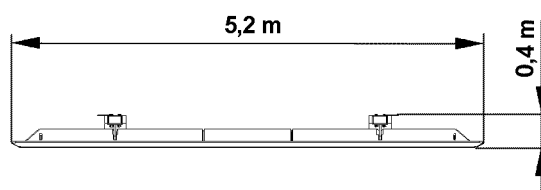
43



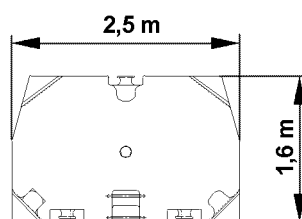
44



45



46



47

Fig.105484

1.45 Ballast trailer frame

See illustration 43.

Weight	Width
35.1 t	10.0 m

1.46 Wheel set

See illustration 44.

Weight	Width
24.0 t	4.8 m

1.47 Ballast trailer guide

See illustration 45.

Weight	Width
35.5 t	2.5 m

1.48 Support plate

See illustration 46.

Weight	Width
2.4 t	1.2 m

1.49 Ballast plate

See illustration 47.

Weight	Width
10.0 t	0.6 m

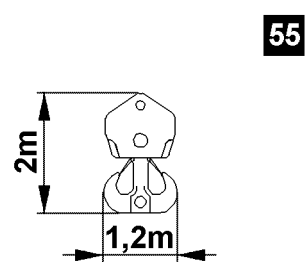
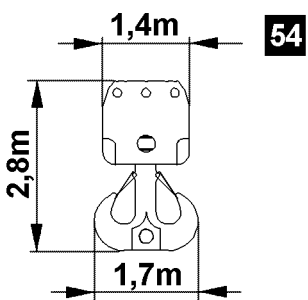
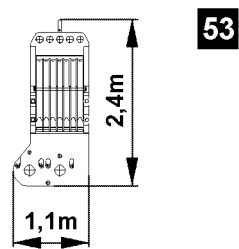
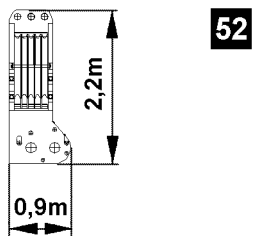
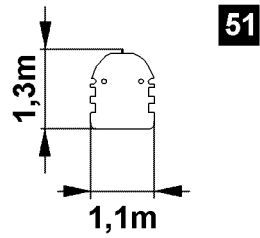
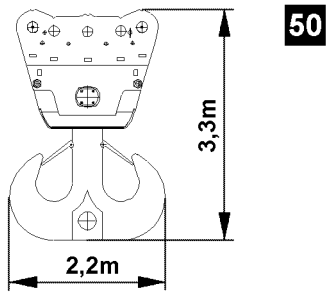
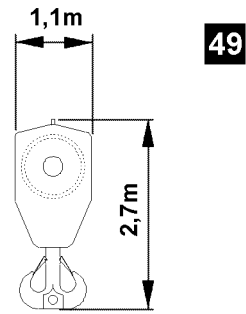
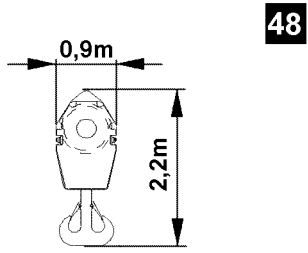


Fig.105485

LWE/LR 11350-005/19004-04-02/en

1.50 Hook block 125DM

See illustration 48.

Weight	Width
5.5 t	1.0 m

1.51 Hook block 200DM

See illustration 49.

Weight	Width
11.9 t	1.4 m

1.52 Hook block 1350DMZ

See illustration 50.

Weight	Width
12.8 t	1.2 m

1.53 Auxiliary weight

See illustration 51.

Weight	Width
1.0 t	0.2 m

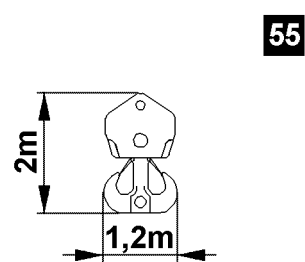
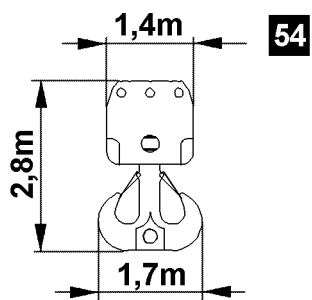
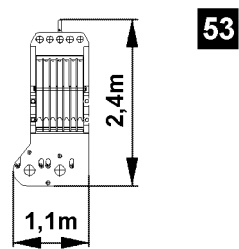
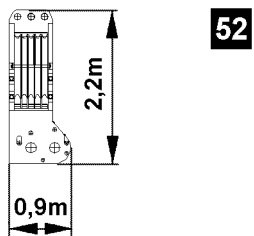
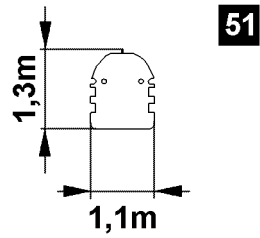
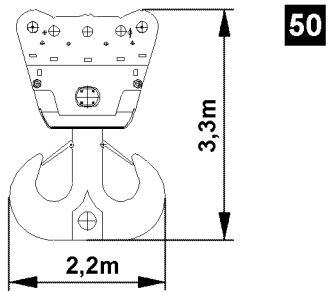
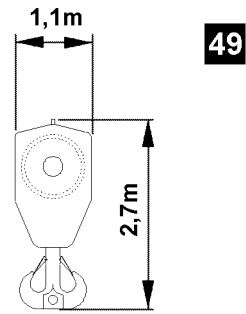
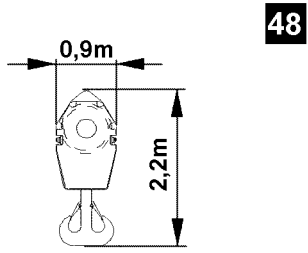


Fig.105485

1.54 Pulley block

See illustration 52.

Weight	Width
3.7 t	1.1 m

1.55 Pulley block

See illustration 53.

Weight	Width
4.7 t	1.1 m

1.56 Hook with traverse 630DZ

See illustration 54.

Weight	Width
6.0 t	1.0 m

1.57 Hook with traverse 320DZ

See illustration 55.

Weight	Width
3.7 t	1.0 m

2 Load handling equipment



Note

► For load handling equipment, see load chart manual.

3 Ground pressure

Ground pressure	
Maximum ground pressure at nominal load	1850 kN/m ²

4 Workplace-related emission value

Sound pressure level at nominal engine rpm	Stationary noise L_{pAeq}	
	Left ear	Right ear
Crane operator's cab	72 db(A)	

5 Vibrations

Vibrations transferred to the operator	Value
Total vibration value to which the upper body limbs are exposed	not more than 2.5 m/s ²
Effective value of weighted acceleration to which the entire body is exposed to	not more than 0.5 m/s ²

6 Crane speeds

Crane speeds at an engine rpm of 1800 rpm.

Drives	
Winch 1, 2	0 m/min to 112 m/min for single strand
Winch 3	0 m/min to 119 m/min for single strand
Winch 5	0 m/min to 119 m/min for single strand
Winch 6	0 m/min to 123 m/min for single strand
Winch 4	2 x 62 m/min for single strand
Slewing gear	0 rpm to 0.82 rpm

7 Ropes

7.1 Hoist ropes

	Rope diameter	Rope category number RCN
Winch 1	38 mm	See Rope certificate
Winch 2	38 mm	See Rope certificate
Winch 6	38 mm	See Rope certificate
Winch 6	28 mm	See Rope certificate

7.2 Control ropes

	Rope diameter	Rope category number RCN
Winch 3	38 mm	See Rope certificate
Winch 4	38 mm	See Rope certificate
Winch 5	38 mm	See Rope certificate

7.3 Guy ropes

	Rope diameter	Rope category number RCN
Auxiliary guying	54 mm	See Rope certificate
Auxiliary guying	36 mm	See Rope certificate

7.4 Assembly rope

	Rope diameter	Rope category number RCN
Assembly winch	8 mm	See Rope certificate

Empty page!

LWE/LR 11350-005/19004-04-02/en

2 Safety

LWE/LR 11350-005/19004-04-02/en

Fig.195219

LWE/LR 11350-005/19004-04-02/en

1 Planning Crane operation

In addition to a perfectly working crane and a well-trained crew, the **planning for crane operation** is an important principle for safe crane operation.



WARNING

Missing information!

Death, severe bodily injuries, property damage.

► Obtain the required information and adhere to it.

Obtain the following information before crane operation and adhere to it:

- Type of crane operation
- National laws and regulations
- Height and width clearance measurements
- When mobile crane: Job site, distance and travel route
- Space prerequisites at the job site
- Electrical transmission lines with voltage data
- Movement restrictions caused by buildings
- Weight and dimensions of the load(s) to be lifted
- Geometric form and air resistance coefficient of the load(s) to be lifted
- Required lifting height and boom projection
- Ground bearing capacity at the job site
- Required space for the assembly and disassembly of the crane
- Weather data and weather forecasts

Assemble the equipment for crane operation:

- Hook block / load hook
- Auxiliary boom
- Fastening equipment
- Counterweight
- Base materials for support plates

Fig.195219

LWE/LR 11350-005/19004-04-02/en

**Note**

- ▶ The illustrations in this chapter are only examples. The illustrations may differ depending on the crane model.

1 Danger zone of crane

The danger zone of the crane is made up of the areas which are accessed during crane operation by the load or by movements of the crane or the crane components.

**WARNING**

Do not stay in danger zone!

Personnel within the danger zone can be hit by falling loads or components.

Personnel in the danger zone can be caught by moving crane components or loads.

Fatal or severe injuries can be the result.

- ▶ Warn any personnel within the danger zone with the warning device of the crane.
- ▶ After the warning is issued, wait and ensure that no personnel remains within the danger zone.
- ▶ If required, block off the danger zone with a safety distance.

2 Traffic endangerment and environmental damage

**WARNING**

Danger of slipping and skidding!

If the roadway becomes contaminated due to technical defects, open tank covers or leaking hydraulic oil, then this would pose a severe traffic endangerment.

Fatal accidents can result.

- ▶ Remove oil immediately and thoroughly.

3 Endangering air traffic

When working with crane, heights are reached which could endanger air traffic. This applies especially to areas near airports.

**WARNING**

Endangering air traffic!

If no protective measures are taken, this can result in endangerment to air traffic.

- ▶ Get the approval from agency responsible for air traffic.
- ▶ Install the airplane warning light on the boom head and turn it on.
- ▶ If the airplane warning lights is operated for a longer period of time, with the engine turned off, then the battery can be discharged and as the result the airplane warning light turns off. To prevent the battery from discharging, an external electrical power supply must be established.

4 Movement on the crane



WARNING

Danger of slipping and falling!

The traction of steps, walkways and hand rails changes due to effects of the weather, such as wetness, ice, snow, frost and dirt.

Personnel can be severely injured or killed.

The crane can be damaged.

- ▶ Step on the walkways and steps only by taking the present conditions into account, such as icing in winter or dirt.
- ▶ Step or place a load only on the approved walkways and steps.
- ▶ Observe the signage.
- ▶ Replace damaged safety signs (warning signs) immediately.

5 Emergency exit

5.1 Emergency exit - driver's cab

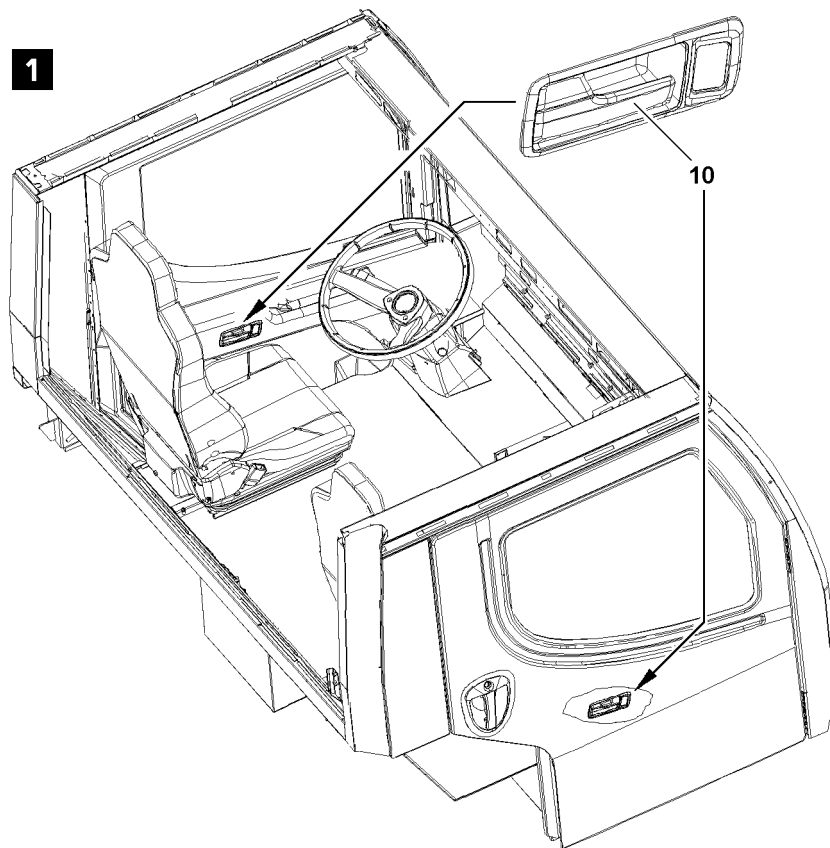


Fig.120932: Example for emergency exit - driver's cab

The driver's cab can be exited through the „left driver's door“ or the „right passenger door“, see illustration 1.



Note

- ▶ Exit the driver's cab through the „left driver's door“ or the „right passenger door“, see illustration 1: Pull and open the door handle **10** on the „left driver's door“ or the „right passenger door“.

5.2 Emergency exit crane cab



WARNING

Danger of falling!

If the crane driver cannot leave the crane cab through the door or if the crane cab is tilted, then there is a danger of falling during the emergency exit.

Death or severe injuries.

► Exit carefully in an emergency.

During the emergency exit there is an increase danger of accidents:

► Accept third-party assistance.

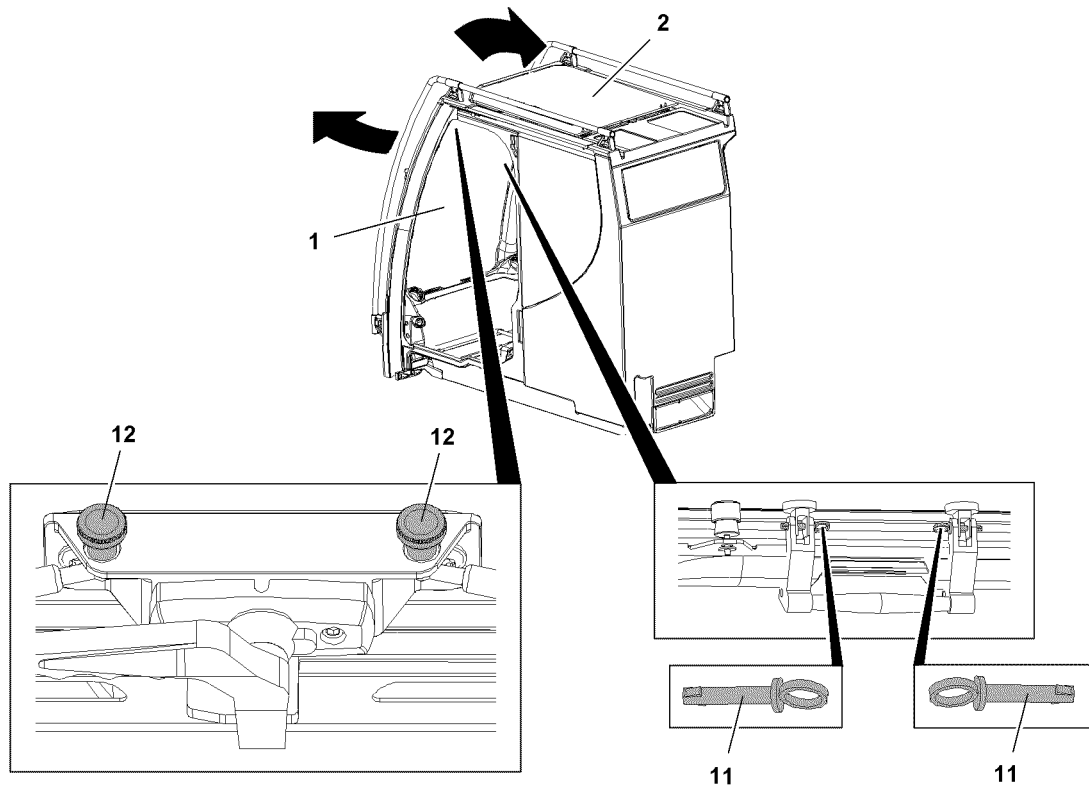


Fig.121111: Examples for emergency exit from the crane cab

If the emergency exit through the door is not possible, then the crane cab can be exited through additional openings.

The following openings are possible:

- 1 Front window
- 2 Roof window

5.2.1 Emergency exit through front window

- Unlock all turn handles.
- Open the front window 1.
- Leave the crane cab through the front window 1.

5.2.2 Emergency exit through the roof window

There are two ways to unlock the roof window 2 for the emergency exit:

- Unpin both pins 11.
- Release both thumbscrews 12.
- Unlock all turn handles.

- Unlock the roof window **2** for the emergency exit.
- Open the roof window **2**.
- Leave the crane cab through the roof window **2**.

5.2.3 Emergency exit with EMERGENCY hammer*

Certain crane types carry an EMERGENCY hammer* in the crane cab.

- Knock the window out with the EMERGENCY hammer* or a suitable object.
- Leave the crane cab.

6 Personal protective equipment

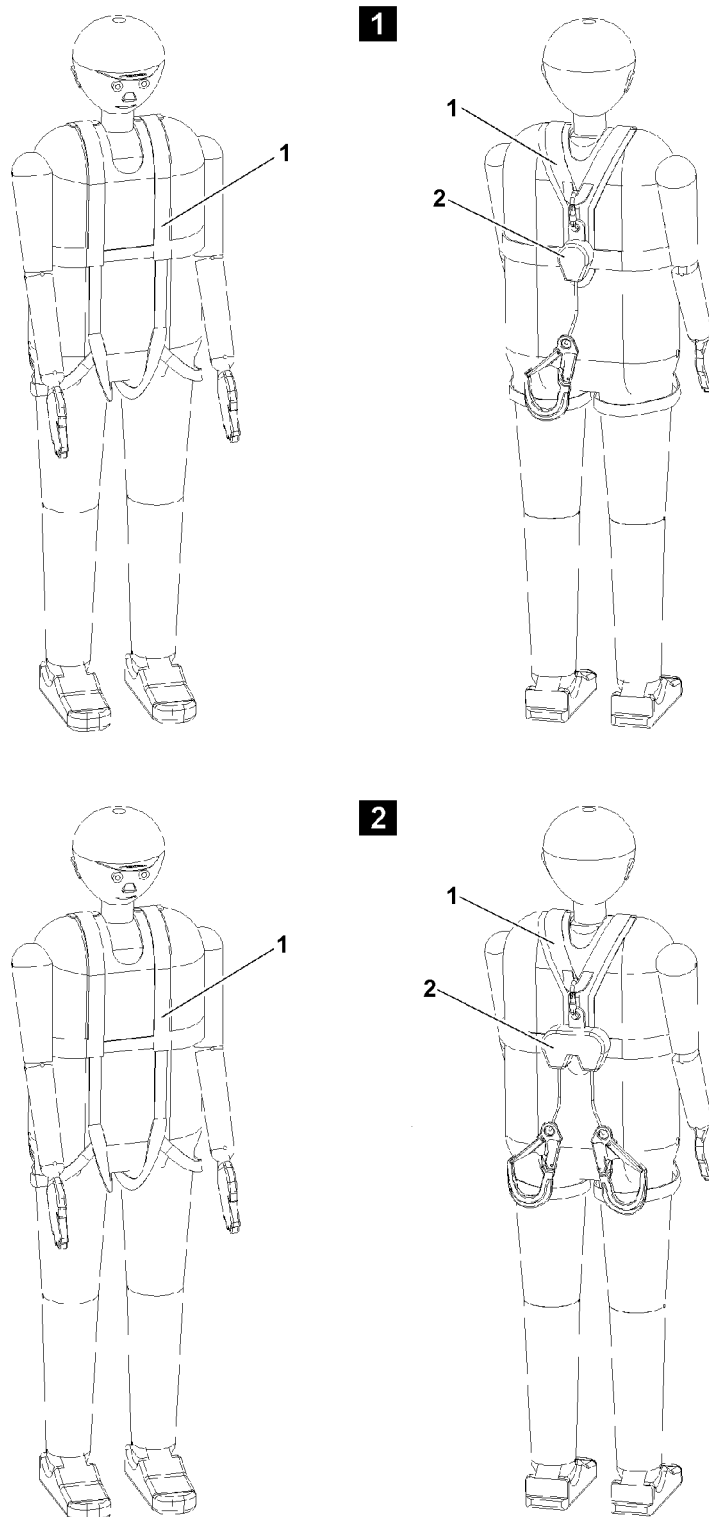


Fig.121161: Examples for safety harness and height safety equipment

**WARNING**

Danger of falling!

If personal protective equipment is not worn during assembly or maintenance work, then the assembly personnel can be killed or severely injured.

- ▶ Observe and adhere the operating instructions and maintenance instructions of the manufacturer for the personal protective equipment.
- ▶ Ensure through regular inspections that the product identification is not damaged.
- ▶ The crane operator must make personal protective equipment available for the assembly personnel.
- ▶ The crane operator must ensure that the personal protective equipment is worn by the assembly personnel.
- ▶ The assembly personnel is obligated to carry the personal protective equipment and to wear it.
- ▶ Check personal protective equipment before use for damage and completeness.
- ▶ Replace defective or damaged personal protective equipment with functioning protective equipment.

**WARNING**

Impermissible fall arrest system!

If a fall arrest system is used, which was not obtained via Liebherr-Werk Ehingen GmbH, there is a danger of falling. Another fall arrest system is **NOT** designed for the crane structure.

Personnel can be severely injured or killed.

- ▶ Utilize exclusively fall arrest systems from Liebherr-Werk Ehingen GmbH.

The personal protective equipment includes the following equipment:

- Supplied fall arrest systems (safety harness **1** and height rescue equipment **2**).
- Head protection with chin strap: Protection from falling parts at assembly and disassembly. Hitting the head during assembly and disassembly work
- Non-skid and slip resistance safety gloves
As a rule, when working with ropes, penetration safe safety gloves must be used.
- Safety shoes: Protection from falling parts at assembly and disassembly.
- Warning apparel

**WARNING**

Danger of fatal injury!

Even personal protective equipment does not provide 100 % protection.

A helmet can protect against small falling objects, but not against falling loads.

Personnel can be killed or seriously injured.

- ▶ Always remain alert.
- ▶ Always be safety conscious.
- ▶ Standing under suspended loads is prohibited.

**WARNING**

Danger of accident!

If the following measures are not carried out, personnel can be killed or severely injured.

- ▶ A plan for rescue actions, taking all possible emergencies into account, must be on hand.
- ▶ The following points can endanger the safe function of the personal protective equipment: For example extreme temperatures, routing of connecting devices, routing over or around sharp edges, chemical influences, electrical effects, cuts, abrasion, climatic influences or swing movements during falls.
- ▶ For that reason, safety preparations must be made.

**WARNING**

Important for the safety of the user.

- ▶ If the personal protective equipment is sold to another country, then the purchaser must make the manufacturer's operating instructions as well as the inspection and maintenance documents available in the language of the user country.

6.1 Identification of protective equipment

Every personal protective equipment or other equipment must be marked clearly and permanently in the language of the user country.

If the identification is no longer legible, then the personal protective equipment must be handed to an expert for inspection.

6.2 Supplied fall arrest system (safety harness and height safety equipment)

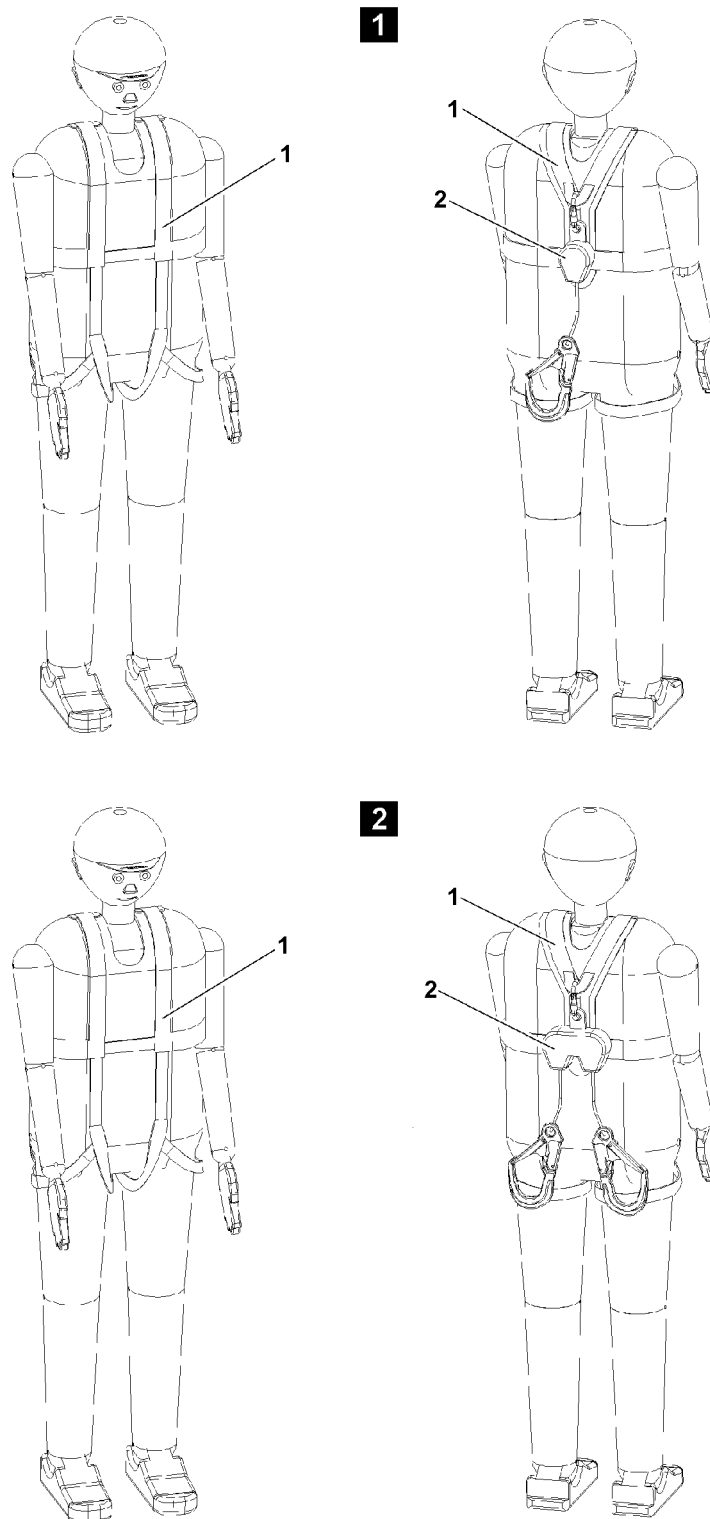


Fig.121161: Examples for safety harness and height safety equipment

The supplied fall arrest system, consisting of safety harness **1** and height safety device **2** must be worn where no other fall protection equipment, such as railings, can be installed for technical reasons.

In these cases, marked fastening and hook points for the fall arrest systems are provided on the components.

Height rescue system, see section "Saving the assembly personnel".



Note

- ▶ For cranes, which do not include the fall arrest system and the height rescue system as part of the scope of delivery can purchase the fall arrest system, consisting of safety harness **1** and height rescue equipment **2** as well as the height rescue system at the Liebherr-Werk Ehingen GmbH.

Part of the category „Aids for working aloft“ are, for example:

- Lifting platforms
- Scaffolding
- Auxiliary cranes
- Ladders



WARNING

Danger of falling.

If the fall arrest system is not worn during assembly or maintenance work, then the assembly personnel can fall down and be killed or severely injured.

- ▶ All work aloft, where there is a danger of falling must be carried out with suitable aids.
- ▶ If fall protection equipment is available, then the fall protection equipment must be used, see Crane operating instructions, chapter 2.06.
- ▶ If aids are not available and work cannot be carried out from the ground, then the assembly personnel must secure themselves with the supplied fall arrest system to prevent falling.
- ▶ The supplied fall arrest system must be fastened on the fastening and hook points as well as on the safety ropes. For safety points, see Crane operating instructions, chapter 2.06.
- ▶ The assembly personnel must be instructed in practice on how to wear the supplied fall arrest system (safety harness **1** and height safety equipment **2**). Annual practice instructions and drills must be carried out.
- ▶ The supplied fall arrest system must be used.
- ▶ The fall arrest system consists of a safety harness **1**, approved according to **EN 361** and a height safety equipment **2**, approved according to **EN 360** (for horizontal application and sharp edges).
- ▶ The supplied fall arrest system may not be changed in its configuration. Extending or shortening the fall arrest rope is prohibited.
- ▶ The fall absorber is integrated in the height safety device **2**. The utilization of an additional fall absorber is prohibited.
- ▶ The supplied fall arrest system is effective from a height of 2.5 m.
- ▶ The fall space must be free of obstacles.
- ▶ Solely the intended safety points designed for this purpose on the crane may be used.
- ▶ The operating instructions of the manufacturer for the supplied fall arrest systems (safety harnesses **1** and height safety equipment **2**) must be observed and adhered to.
- ▶ Only step on the aids, ladders and catwalks with clean shoes.
- ▶ Keep aids, ladders and catwalks free of heavy dirt.
- ▶ Keep aids, ladders and catwalks free of snow and ice.
- ▶ The safety harness **1** and the height safety equipment **2** must be inspected annually by authorized and trained expert personnel and the results must be documented in the inspection log book.
- ▶ After every fall, the safety harness **1** and the height safety equipment **2** must be removed and inspected by an authorized and trained expert and the results must be documented in the inspection log book.
- ▶ The results must be documented in the inspection log book.
- ▶ Only after written release by expert personnel may the fall arrest system be reused.

6.3 Use of single strand height safety equipment

Height safety equipment with a belt strap, see illustration **1**, is intended for all cranes which have no catwalks with safety ropes. Use the supplied height safety equipment with extendable belt strap and snap hook (**EN 362 Class A**) with link.

6.4 Use of double strand height safety equipment

Height safety equipment with two belt straps, see illustration 2, is intended for cranes with catwalks, which are equipped with two ropes as fastening device on the left and right hand side of the catwalk. For example lattice sections, lattice booms, possibly telescopic booms or assembly units. Use the supplied height safety equipment with two extendable belt straps and snap hooks (**EN 362 Class A**) with links.



WARNING

Danger of falling.

- ▶ If two safety ropes are installed on the booms, lattice sections and other components, then the height safety equipment with two belt straps must always be used and one belt strap per safety rope must be hooked.

6.5 Documentation Fall arrest systems and Height rescue system



Note

- ▶ The documentation of the fall arrest systems (safety harnesses and height safety equipment) and the height rescue system must be carried out according to the operating instructions of the respective manufacturer.
- ▶ The crane operator, who employs the user, is responsible for the creation of documentation and entry of the required data.

7 Securing persons to prevent them from falling



WARNING

Danger of falling.

- ▶ Wear the supplied fall arrest systems (safety harnesses and height safety equipment) correctly.
- ▶ When accessing a ladder, do not hold any objects in your hands.
- ▶ When accessing a ladder, adhere to the 3-point support. See Crane operating instructions, chapter 2.04.10.

7.1 Working on the telescopic boom head and / or auxiliary boom

Reeve the hoist rope in or out on the pulley head:

- For ladder work, use the supplied ladder. For fastening and hook points, see Crane operating instructions, chapter 2.06.
- For cranes, which carry a ladder along **with** hook device:
Use the hook device to secure the ladder.
- For cranes, which carry a ladder along **without** hook device:
Use the rigging belt to secure the ladder.
- When ascending, the assembly personnel must ensure a 3-point support.
- If there is a danger of falling, the assembly personnel must hook themselves with the snap hooks of the fall arrest system on the fastening points and secure themselves against falling.

7.2 Walking on the telescopic boom



WARNING

Danger of falling.

The assembly personnel can fall down by slipping on the telescopic boom and be killed or severely injured.

- ▶ The telescopic boom may only be accessed if the assembly personnel is protected with suitable safety measures to prevent them from falling.
- ▶ If safety ropes are present on the telescopic boom, then the assembly personnel must hook themselves with the supplied fall arrest system on the safety ropes of the telescopic boom on the left and right with both snap hooks and secure themselves against falling.
- ▶ Without safety measures, it is **strictly** prohibited to step on the telescopic boom.

Assembly of the hoist rope or the TY-guying:

- During assembly, the assembly personnel must hook themselves on the fastening devices on the left and right with both snap hooks of the fall arrest system and secure themselves against falling.

7.3 Access to lattice sections or booms

Climbing the ladder:

- When ascending, the assembly personnel must ensure a 3-point support.

Changing from ladder to catwalk **without** transition aid:

- From a transition height above 1.8 m: **Before** transitioning, the assembly personnel must hook at least one snap hook of the fall arrest system on a safety rope and secure themselves against falling.

Changing from ladder to catwalk **with** transition aid:

- **After** transitioning, the assembly personnel must hook at least one snap hook of the fall arrest system on a safety rope and secure themselves against falling.

7.4 Walking on lattice sections or booms

Walking on catwalks:

- When walking on catwalks, the assembly personnel must hook themselves on the safety ropes on the left and right with both snap hooks of the fall arrest system and secure themselves against falling.
- When changing the fall arrest system over to a new lattice section, the assembly personnel must be hooked with at least one snap hook of the fall arrest system one safety device.

7.5 Working on lattice sections or booms

Pinning, unpinning the lattice sections of pull rods:

- During pinning, unpinning of lattice sections or pull rods, the assembly personnel must hook themselves on the safety ropes on the left and right with both snap hooks of the fall arrest system and secure themselves against falling.

Attaching the lattice sections:

- When attaching the lattice sections, the assembly personnel must hook themselves on the safety ropes on the left and right with both snap hooks of the fall arrest system and secure themselves against falling.

7.6 Descending from lattice sections or booms

Accessing the ladder **without** transition aid:

- From a transition height above 1.8 m: **Before** stepping on the ladder, the assembly personnel must hook at least one snap hook of the fall arrest system on a safety rope and secure themselves against falling.
- When stepping on the ladder, the assembly personnel must ensure a 3-point support.

- The snap hook of the fall arrest system may only be unhooked after standing safely on the ladder (3-point support).

Accessing the ladder **with** transition aid:

- When stepping on the ladder, the assembly personnel must ensure a 3-point support.

Climbing down the ladder:

- When descending, the assembly personnel must ensure a 3-point support.

8 Rescuing the assembly personnel

The height rescue system, consisting of the rappelling rescue device, is an evacuation and rescue device. It is used to lift the fallen person to be able to unhook him from the height safety equipment and to lower him by rope.



WARNING

Danger of falling.

- ▶ The assembly personnel must be instructed and trained properly in the correct handling of the height rescue system. Annual practice instructions and drills must be carried out.
- ▶ The supplied height rescue system must be kept available.
- ▶ The operating instructions of the manufacturer for the height rescue system must be observed and adhered to.
- ▶ The height rescue system must be inspected annually by authorized and trained expert personnel and documented in the inspection log book.

8.1 First aid measures after rescue



WARNING

Mortal danger.

- ▶ After the rescue, the patient must be positioned with the upper body raised (in seated or squatting position).
- ▶ Immediate flat position or even shock position can be fatal.

9 Crane cab with retractable / extendable step

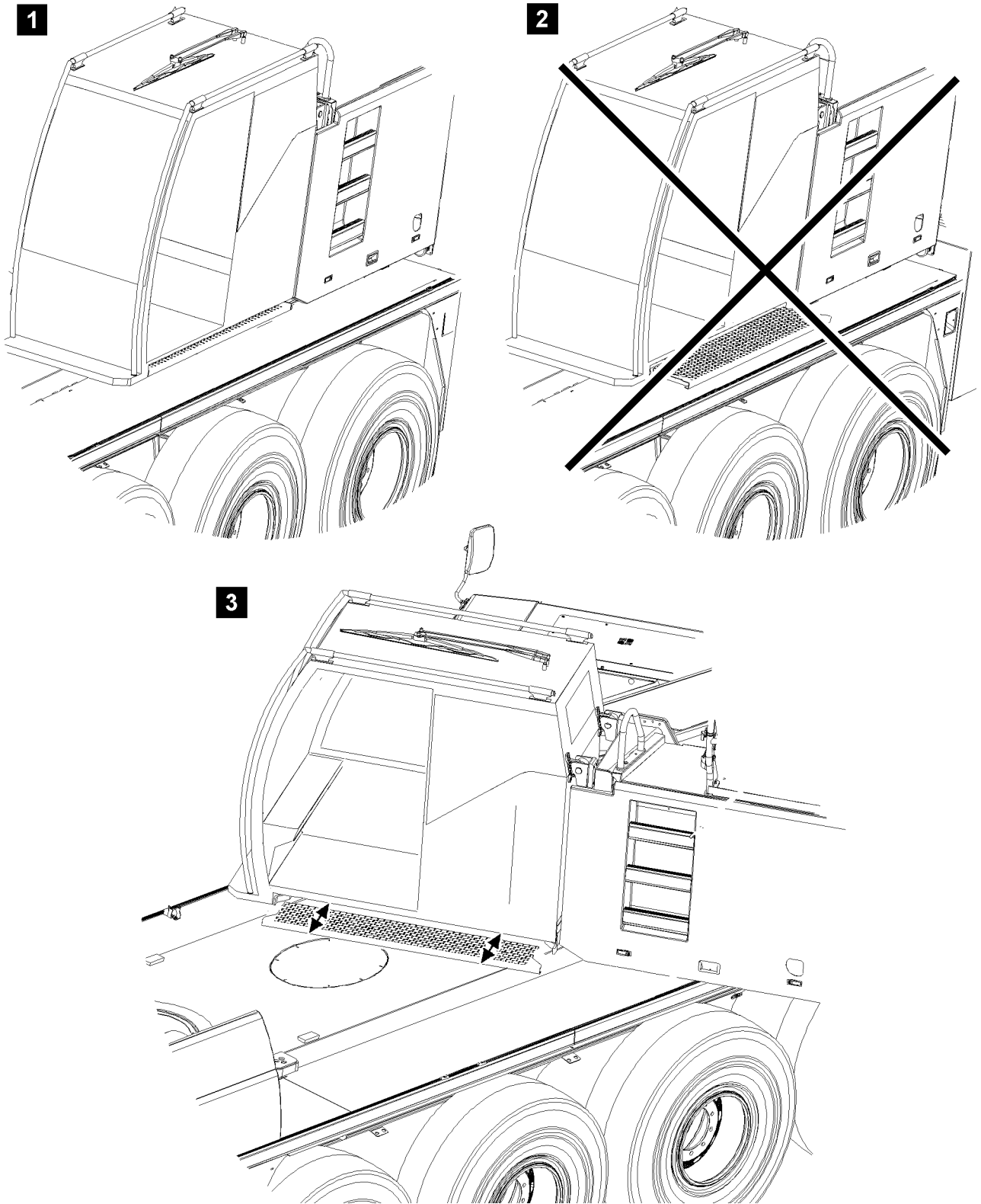


Fig.121159: Example for crane cab with retractable / extendable step

LWE/LR 11350-005/19004-04-02/en

9.1 Entering / exiting of crane superstructure alignment length axis crane chassis

See illustration 1

Before entering the crane cab or existing from the crane cab, the following prerequisites must be met:

- The crane superstructure is aligned in length axis of the crane chassis.
- The step under the crane cab is retracted.
- The crane cab with incline adjustment is in 0° position.
- Folding ladders are folded into the ascent and descent position.



Note

- ▶ When all folding ladders are folded into the ascent and descent position, then a safe descent is possible from every position. See Crane operating instructions, chapter 2.07.



WARNING

Danger of falling.

If the crane superstructure is aligned in length axis of the crane chassis and the step can **not** be moved in, then there is a danger of falling when entering / exiting. See illustration 2.

Personnel can be severely injured or killed.

- ▶ Set up a suitable access, such as a ladder or platform, to ensure safe entry into the crane cab.
- ▶ When exiting the crane cab in position crane superstructure in length axis crane chassis, always move the step in completely.

9.2 Entering / exiting a swung crane superstructure

See illustration 3

Before entering the crane cab or existing from the crane cab, the following prerequisites must be met:

- The crane superstructure is swung to the point where a safe access to walkable surfaces of the crane chassis is ensured.
- For the crane cab with incline adjustment, the crane cab is in 0° position.
- All folding ladders are folded into the ascent and descent position.



Note

- ▶ Use extendable step.
- ▶ The extended step allows comfortable entry into the crane cab as well as safe exit from the crane to the crane chassis.
- ▶ When all folding ladders are folded into the ascent and descent position, then a safe descent is possible from every position. See Crane operating instructions, chapter 2.07.

10 Crane cab with incline adjustment



WARNING

Danger of falling.

If the crane cab cannot be swung from an inclined position (for example 20° position) to the 0° position, for example due to a problem, then utmost caution must be used when entering / exiting the crane cab.

There is a danger of falling. Personnel can be severely injured or killed.

- ▶ For safety reasons, we recommend to take advantage of outside help.
- ▶ If necessary, have platforms or other suitable entry aids set up to ensure safe exit from the crane cab.

**WARNING**

Danger of accident.

If the door of the crane cab is opened in inclined position, then the door can move back suddenly. Hands can be crushed or injured.

- ▶ When the crane cab is in inclined position, open the door carefully.

11 Safety bar

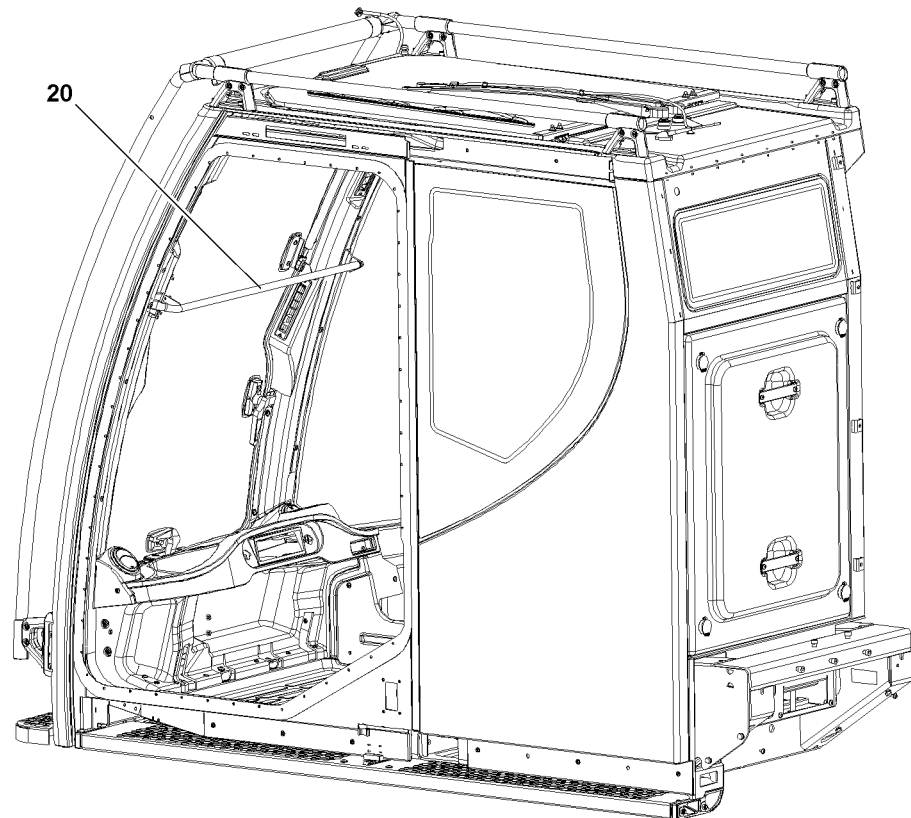


Fig.121158: Example for crane cab with safety bar

**Note**

- ▶ The safety bar **20** is installed to protect the crane operator from a danger of falling when the front windshield is open.
- ▶ Do not use the safety bar **20** as a handle.

12 Closing the windows

**WARNING**

Danger of crushing.

Never close the windows carelessly or uncontrolled. Significant crushing injuries can occur.

- ▶ During closing, watch the windows as it moves up.
 - ▶ Make sure that no personnel or objects are wedged in.
-

13 Rigging and fastening points

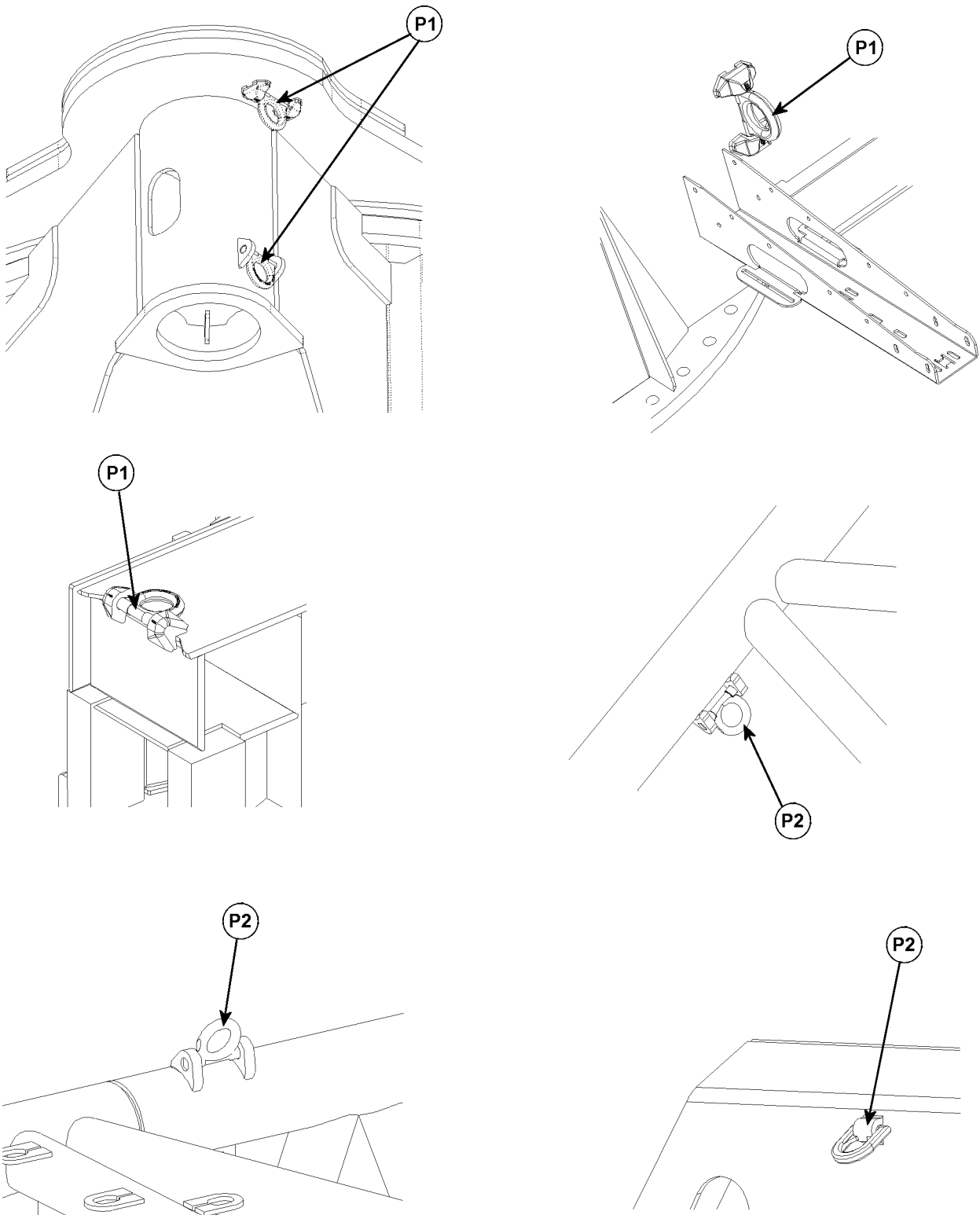


Fig.121160: Examples for rigging and fastening points

P1 Rigging points

P2 Fastening points

Before every operation and at regular intervals, check the rigging points **P1** and the fastening points **P2** for cracks of the welding seam, significant corrosion, wear and distortion.

The inspection criteria are:

- Completeness of rigging points **P1** and fastening points **P2**.
- Distortion of carrying parts.
- Mechanical damage such as severe nicks.
- Changes in diameter due to wear.
- Significant corrosion (pitting)
- Cracks on carrying parts.
- Cracks or other damage on the welding seam.



WARNING

Danger of accident.

When using rigging and fastening points which are not operationally safe, severe personal and property damage can occur.

- ▶ Have rigging and fastening points, which are not operationally safe replaced with new rigging and fastening points by authorized and trained expert personnel.
- ▶ When hooking and unhooking the rigging and fastening equipment, handle carefully to avoid crushing, sheering, catch and impact points.
- ▶ Eliminate damage of rigging and fastening equipment due to sharp edged stress loads.

14 Heated crane components



WARNING

Danger of burns.

You can get severely burnt on the surfaces of hot components.

This applies especially to exhaust systems, the engines and the respective gears in the crane chassis and in the crane superstructure.

- ▶ Let the components cool off before touching them.
- ▶ Proceed with special caution near heated crane components.

15 Crane operator responsibilities

15.1 General

The crane operator's primary responsibility is to use and operate the crane in a manner that is safe for both himself and others.

The following important safety guidelines will help you achieve this.

Many crane accidents are caused by incorrect crane operation.



WARNING

Danger due to operating error.

- ▶ In your interest and in the interest of others, make sure that you know your crane. Also learn to recognize all dangers connected with the work to be carried out.

Operating errors, which are made again and again while operating or driving a crane are especially careless while working, in particular:

- Slewing too quickly
- Stopping the load too quickly
- Pulling the load at an angle
- Allowing slack rope formation
- Overloading the crane
- Driving too fast with a load and / or equipment on an uneven roadway
- Attaching the load incorrectly
- Unsuitable operation; especially angular pulling, breaking away stuck loads

- Wind action on suspended loads
- Mistakes when driving on a road, for example:
 - Overspeeding the engine when driving downhill
 - Driving with turned on differential lock
- Crashing into bridges, roofs or high voltage wires due to insufficient headroom
- Inadequate support; support base, support under the support plates
- Mistakes during assembly or disassembly of booms

In many cases, crane damage is caused by improper maintenance:

- Insufficient oil, grease or antifreeze
- Contamination
- Broken cable wires, defective tires, worn parts
- Emergency limit switch or load torque limiter (LMB) not operating properly
- Brake and clutch failure
- Hydraulic defects; for example cracked hoses
- Loose bolts

15.2 Working on the crane superstructure or boom



WARNING

Danger of falling.

When working on the crane superstructure or boom, personnel must be secured with appropriate safety measures to prevent them from falling. If this is not observed, working personnel can fall and be killed or severely injured.

- ▶ For all work on the crane where there is a danger of falling, suitable safety measures must be taken.
- ▶ The crane superstructure or the boom may not be accessed without suitable aids.
- ▶ Suitable aids are, for example: Lifting platforms, scaffoldings, ladders, assembly platforms, auxiliary crane.
- ▶ If railings are present on the crane superstructure, then they must be swung into operating position and secured for all work, see Crane operating instructions, chapter 2.06.
- ▶ Only step on such aids with clean shoes.
- ▶ Keep aids clean and free of snow and ice.
- ▶ If the work cannot be carried out with such aids nor from the ground, then the assembly personnel must secure themselves with supplied fall arrest systems to avoid falling, see section „Personal protective equipment“.
- ▶ It is prohibited to step on the driver's cab or crane cab roof and specially marked surfaces, see Crane operating instructions, chapter 2.05.

15.3 Obligations of the crane operator

1. Before starting to work, the crane operator must check the brake function and the emergency shut off devices. He must monitor the condition of the crane for obvious defects. On wireless controlled cranes, he must check the assignment of control unit and crane.
2. The crane operator must cease crane operation in case of problems endangering the safety.
3. The crane operator must report all defects on the crane to the appropriate supervisor, also to his replacement in case of crane change.
4. The crane operator must make sure that:
 - All control devices are set to neutral or idle position before release of the energy supply to the drive components.
 - The control devices are set to neutral or idle position and the energy supply is shut off before leaving the control platform.
 - When taking down the control unit for wireless control, the control unit is secured to prevent unauthorized operation.
5. The crane operator must ensure that cranes subjected to wind are not operated past the limits which were set by the crane manufacturer, and that the boom is taken down at least when the critical wind speeds for the crane are reached and at the end of the work.

6. The crane operator must monitor the load during all crane movements or the load handling equipment when moving the crane without a load, if they could cause a dangerous situation. If observation is not possible, then the crane operator may move the crane only with the aid of a guide.
7. The crane operator must give warning signs when necessary.
8. The crane operator may not move loads over personnel.
9. Any loads attached by hand may only be moved by the crane operator after he received a clear sign from the person who attached the load, the guide or any other responsible party which was assigned to that task by the contractor. If signals must be used to communicate with the crane operator, then these signals must be agreed upon before use between the responsible party and the crane operator. If the crane operator determines that the loads are not properly attached, then he may not move these loads.
10. As long as a load is suspended on the crane, the crane operator must keep the control devices within reach. This does not apply for towing of vehicles with towing cranes.
11. The crane operator may not run up to end positions operationally, if they are limited by the emergency limit switches.
12. After a load torque limiter was triggered, the crane operator may not take on an overload by pulling in / raising the boom.
13. The crane operator may **not** bypass the overload protection to increase the hoisting power of the crane.

16 Selecting the operating site

In the following illustrations 1 to 3 the possible situations are shown as an example.

It is very important to choose an appropriate placement location in order to minimize safety risks.

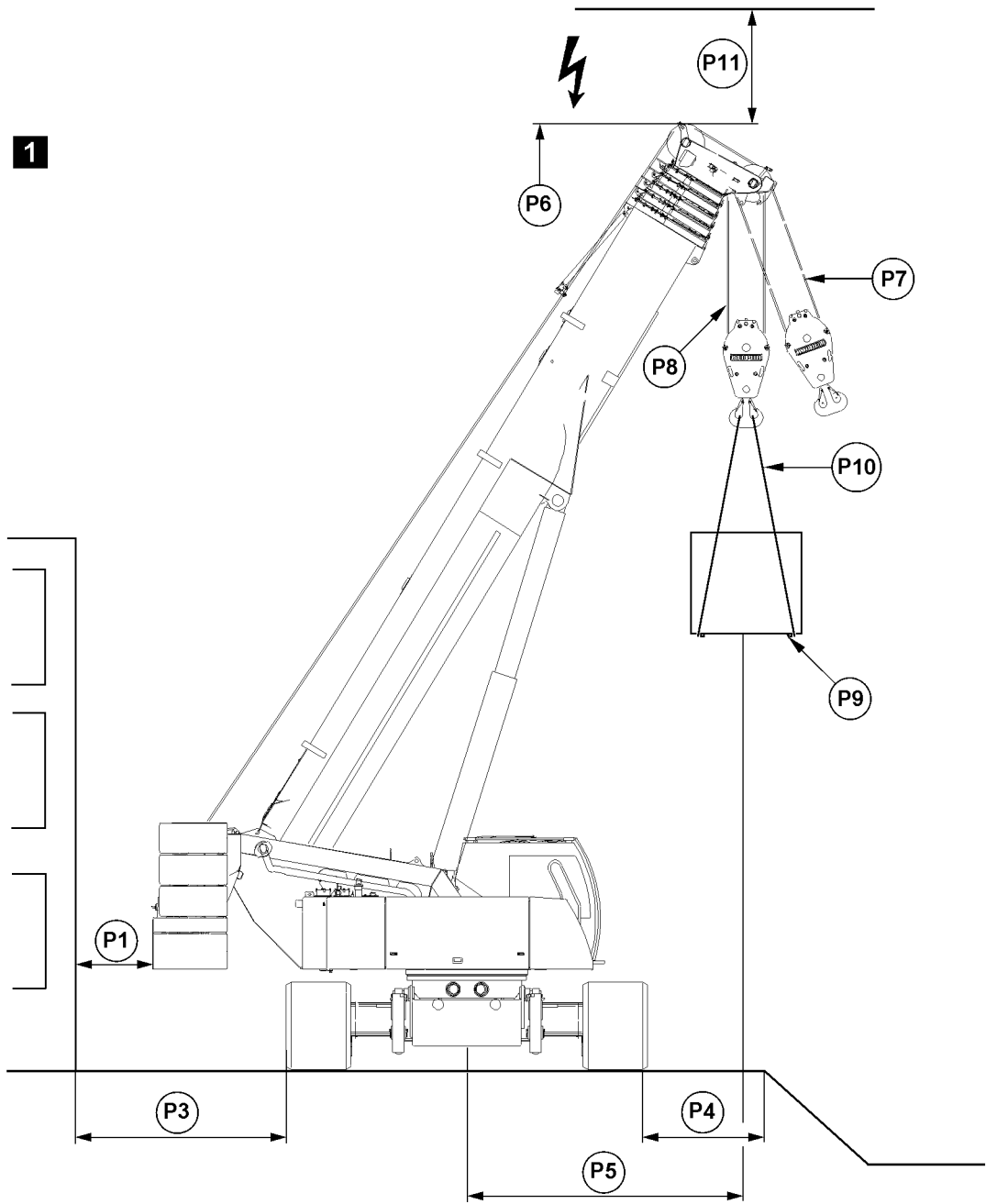


Fig.121166: Example for crawler crane with telescopic boom

LWE/LR 11350-005/19004-04-02/en

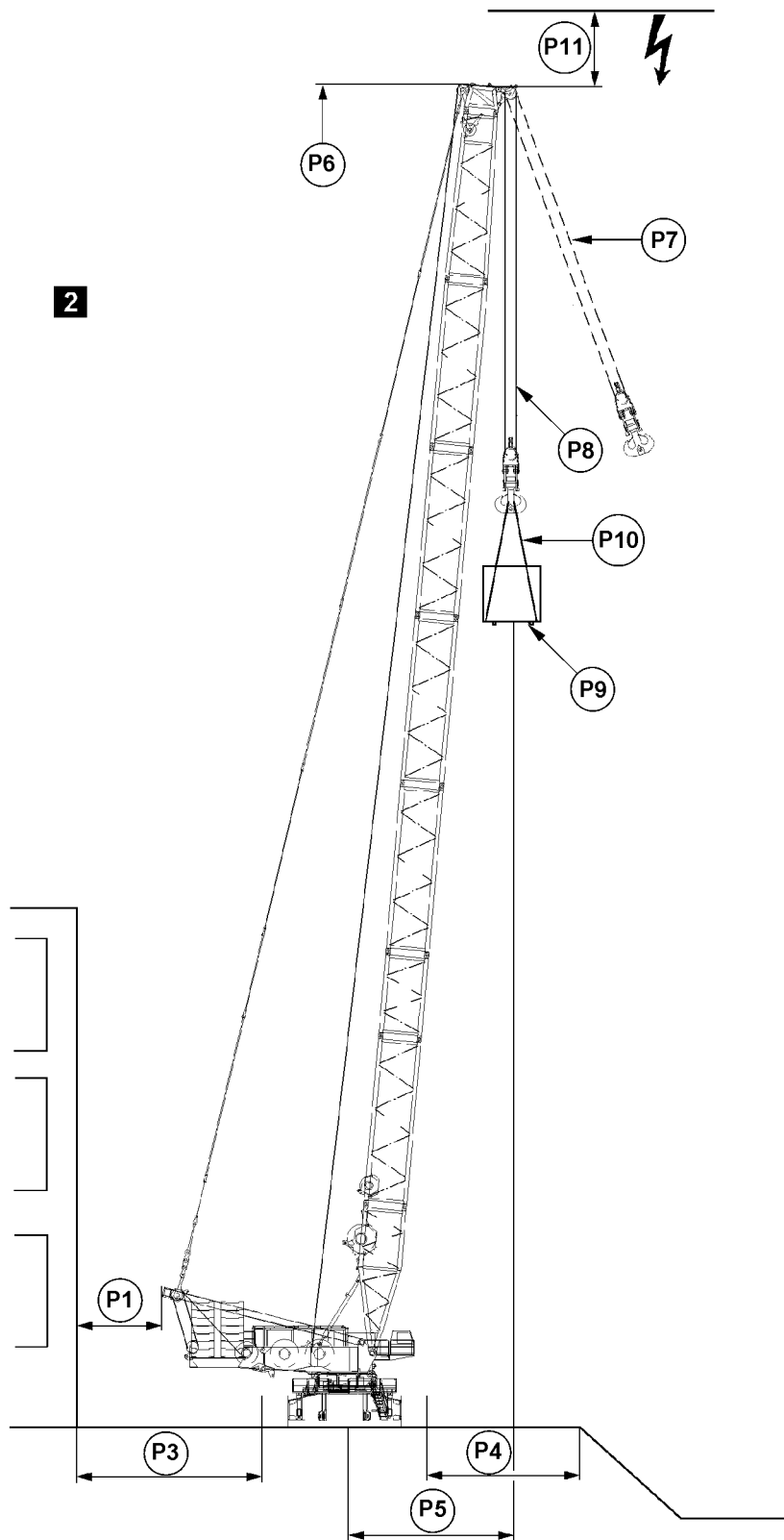


Fig.121167: Example for crawler crane with lattice mast boom

LWE/LR 11350-005/19004-04-02/en

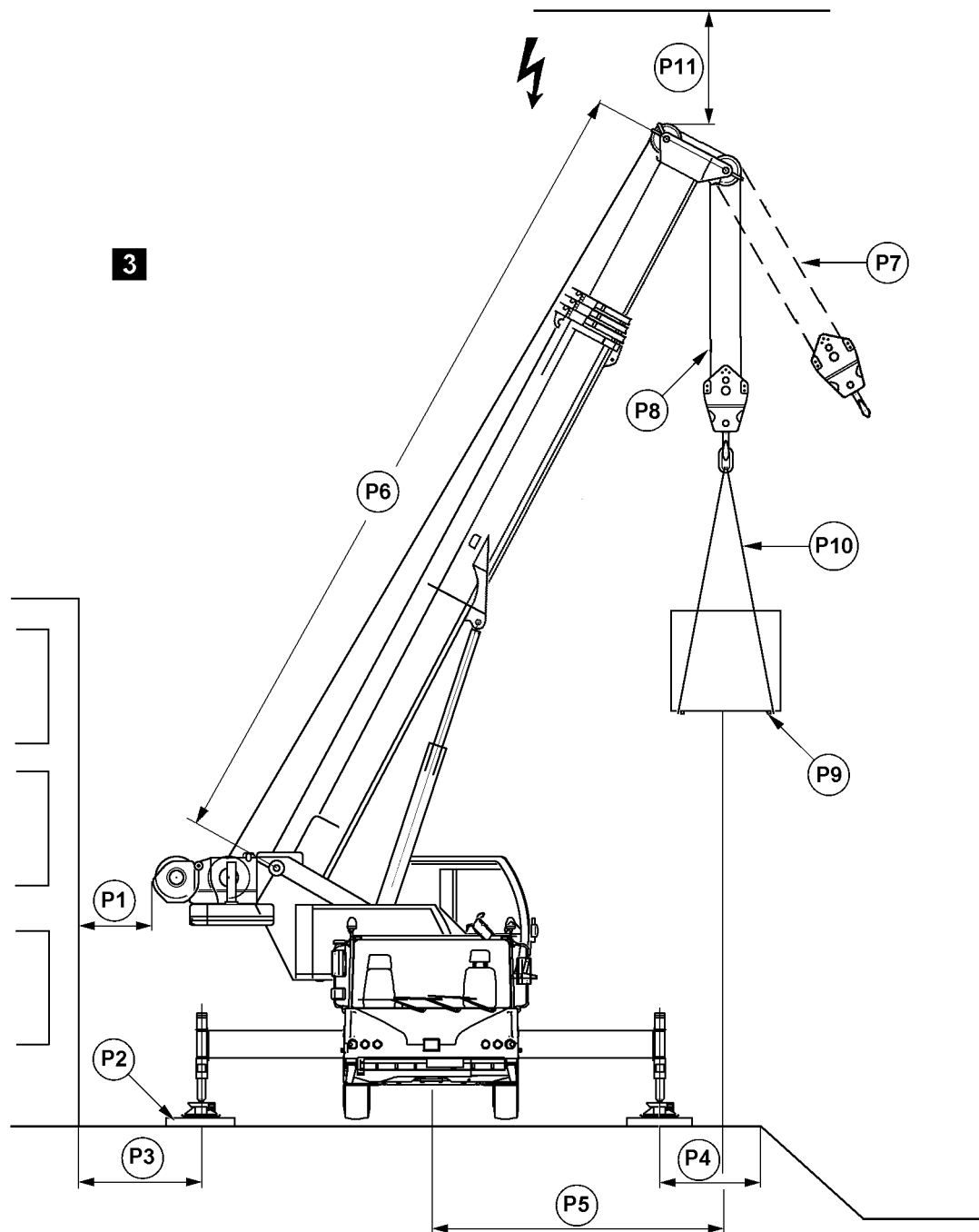


Fig.121168: Example for mobile cranes



DANGER

Danger of accidents due to ground with **insufficient** load bearing capacity.

If the crane is supported or driven on ground with **insufficient** load bearing capacity, then the crane can topple over and kill personnel.

- ▶ Only support or drive the crane on ground with sufficient load bearing capacity.
- ▶ Act responsibly when planning and selecting the crane location and route.
- ▶ Observe the following points.

Sign	When selecting the placement location for the crane, observe and adhere to the following:
P1	Select the placement location in such a way that crane movements can be carried out without collision and that the supports can be extended to the support base specified in the load charts. Make sure that no personnel is injured or killed. Always keep a safety distance of 0.5 m. If this is not possible, block the danger zone off.
P2	When crane support is required: Support the crane correctly and support the support plates large enough according to the load bearing capacity of the ground and the placement location.
P3	Keep a safety distance to basements or similar.
P4	Keep a safety distance to slopes or similar.
P5	Keep the radius to as low as possible.
P6	Select the correct boom length to the load case.
P7	Angular pull is prohibited.
P8	Select the correct reeving of the hoist rope to the load case.
P9	Bear in mind the weight and the wind exposure surface of the load.
P10	Select fastening equipment according to the weight of the load, the type of attachment and the incline angle.
P11	Keep sufficient distance to electrical overhead wiring.

17 Slopes and ditches

In the following illustrations 4 and 5 the possible situations are shown as an example.

The crane may not be set up too close to slopes or excavations. Maintain adequate safety distance **A** and safety distance **B** in accordance with the type of soil.

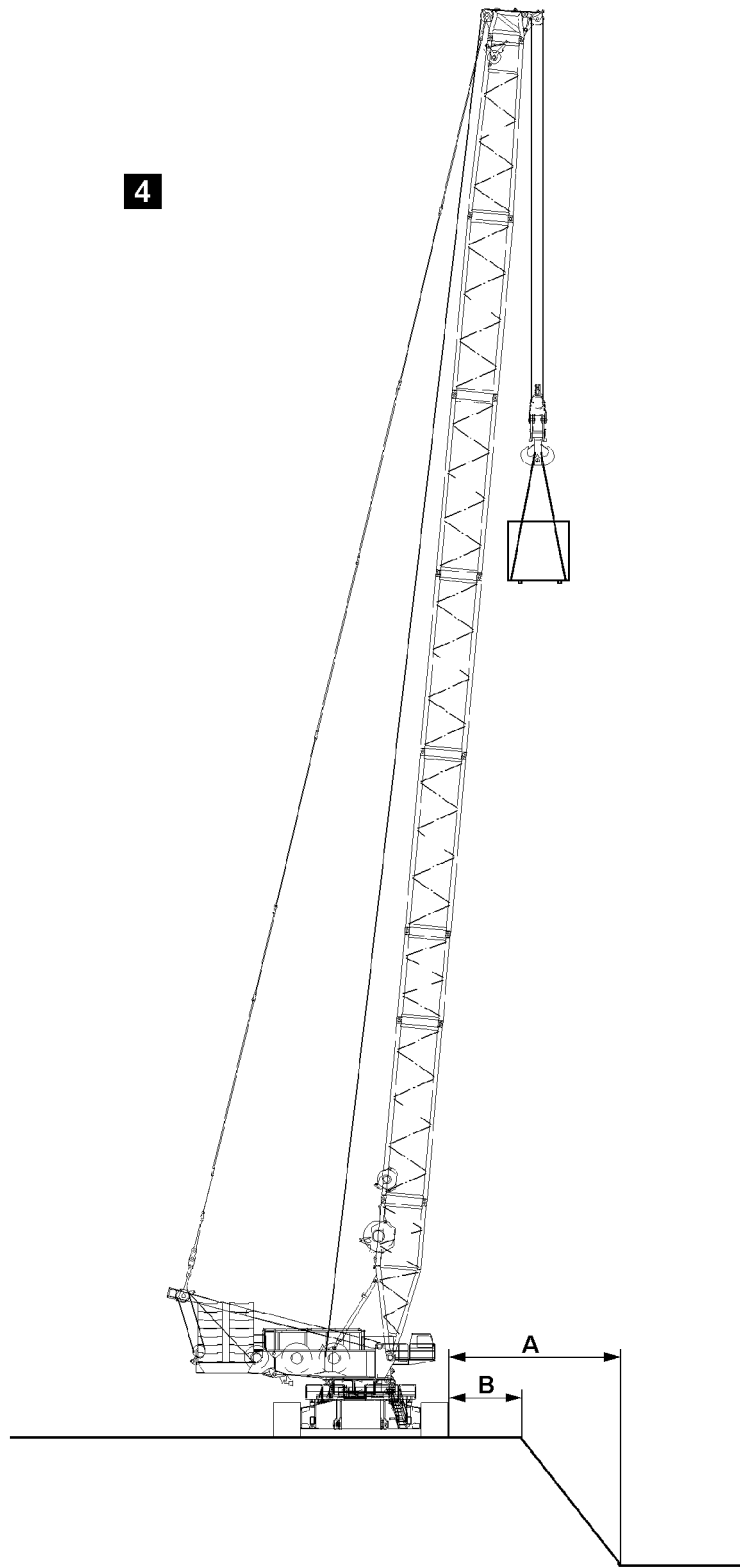


Fig.121162: Example for crawler cranes

- A** Distance to bottom of excavation
- B** Distance to excavation

LWE/LR 11350-005/19004-04-02/en

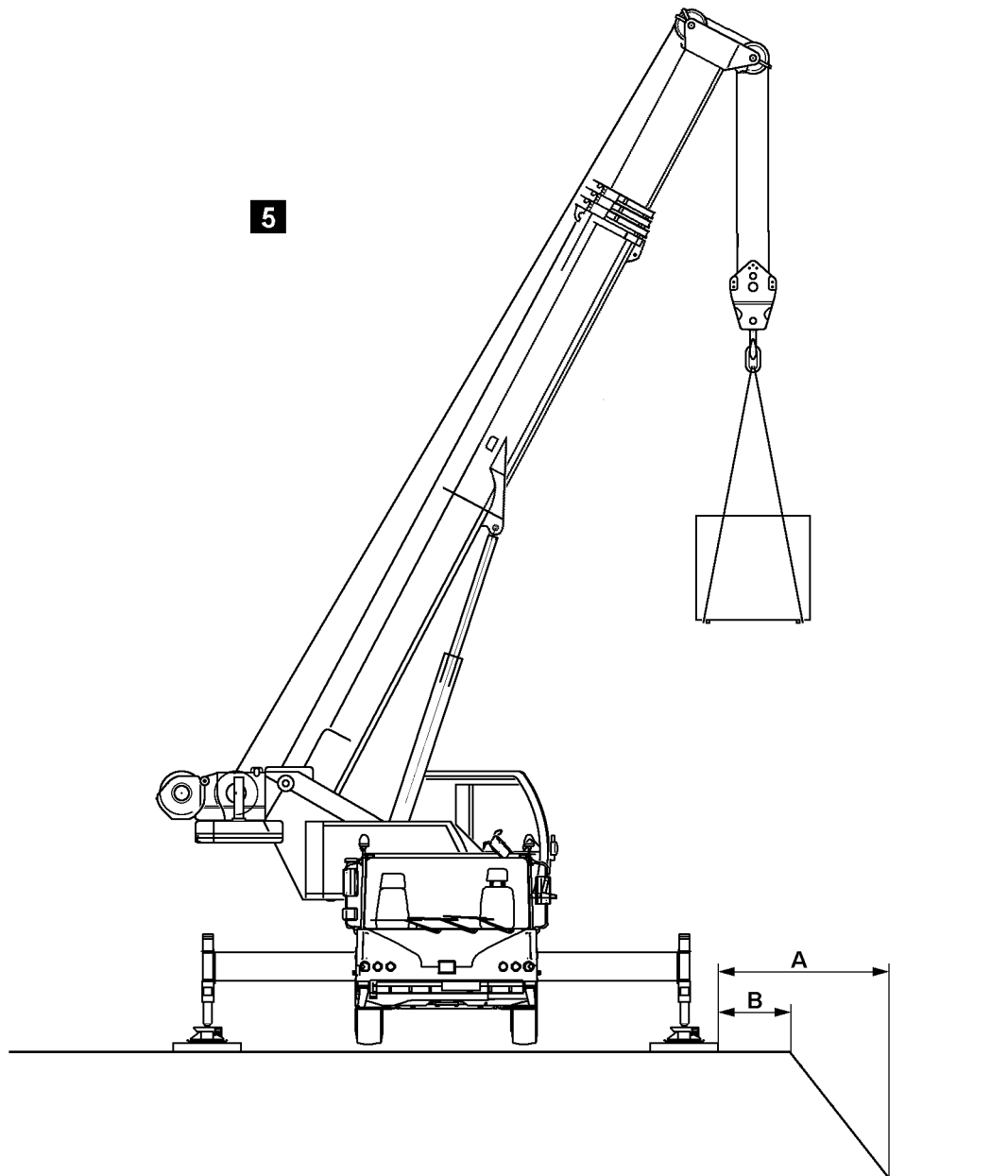


Fig.121163: Example for mobile cranes

- A** Distance to bottom of excavation **B** Distance to excavation



WARNING

Toppling crane.

The edge of the slope or excavation can break in if safety distance **A** or safety distance **B** is too small. If the edge of the slope or excavation break in, the crane can topple over and kill personnel.

► Always maintain the required safety distance **A** and safety distance **B**.

18 Permissible ground pressures

Permissible ground pressures		
Soil type		[N/cm ²]
1.	Organic ground: Peat, sludge, muck	0
2.	Uncompacted fill: Construction debris	0 to 10
3.	Non-cohesive ground: Sand, gravel, rocks and mix	20
4.	Cohesive soil: <ul style="list-style-type: none"> a) Clayed silt, mixed with topsoil b) Silt, consisting of poor clay and coarse clay c) Plastic clay, consisting of potter's clay and fill <ul style="list-style-type: none"> Stiff Semi-solid Solid d) Mixed granular ground, clay to sand, gravel and rocky areas <ul style="list-style-type: none"> Stiff Semi-solid Solid 	12 13 9 14 20 15 22 33
5.	Rock in evenly solid condition: <ul style="list-style-type: none"> a) Brittle, with traces of decomposition b) Not brittle 	150 400

If there is any doubt about the load bearing capability of the ground at the site, soil tests should be carried out by specialists using, for example, a penetrometer.



Note

- ▶ Consider that the support force, due to the counterweight, can be higher without a load than with a load.

18.1 Permitted ground pressure for crawler cranes

In crane operation, significant forces are transferred to the ground. The ground must be able to safely withstand the pressure. If the crawler area is inadequate, then the crawlers must be supported from below according to the load bearing capacity of the ground.



WARNING

Toppling crane.

If the crane is not properly supported, the crane can topple over and fatally injure personnel.

- ▶ The foundation support must be large enough for the ground conditions and constructed from solid materials, such as wood or steel plates.

18.2 Permitted ground pressure for mobile cranes

When the crane is supported, the support cylinders transmit significant forces to the ground.

In any case, the ground must be able to safely withstand this pressure. If the support pad area is inadequate, the support pads must be supported from below according to the load bearing capacity of the ground.

The required support area can be calculated from the load bearing capability of the ground and the crane support force.



WARNING

Toppling crane.

If the crane is not properly supported, the crane can topple over and fatally injure personnel.

- ▶ Only strong materials may be used for the support pad bases; for example properly dimensioned wooden timbers.
- ▶ In order to ensure that pressure is evenly distributed across the base surface, the support pads shall be positioned at the center of the base.



Note

- ▶ The following are general calculation examples. The values are used only to explain the calculation steps. The crane specific values are in chapter 1.03 of the crane operating instructions.

Example: Calculation of specific support pressure	
Maximum support force according to crane operating instructions, chapter 1.03 for example: 720 kN	720000 N
Surface of square support plate with 550 mm side length according to chapter 1.03, for example: 302500 mm ²	3025 cm ²
80 % as carrying surface of support plate: 302500 mm ² x 0.8 = 242000 mm ²	2420 cm ²
Specific support pressure = Support force / surface support plate	$720000 \text{ N} / 2420 \text{ cm}^2 = 297.52 \text{ N/cm}^2$
Specific support pressure:	298 N/cm²

The value of the specific support pressure is far higher than the permissible ground pressure for all types of granular soil. If this crane is utilized on bedrock, type of ground gravel, permissible ground pressure 20 N/cm², then the support surface must be increased.

Example: Calculation of required support surface	
Maximum support force according to crane operating instructions, chapter 1.03 for example: 720 kN	720000 N
Permissible ground pressure, for example: 20 N/cm ²	20 N/cm ²
Required support surface = Support force / permissible ground pressure	$720000 \text{ N} / 20 \text{ N/cm}^2 = 36000 \text{ cm}^2$
Required support surface:	36000 cm² = 3.6 m²

The surface of the support for each support plate must be at least **3.6 m²**.

The height of the support must be selected depending on the load distribution angle.



Note

- ▶ The corresponding support forces can be determined with the crane job planner.

18.3 LICCON job planner

The calculation of support forces and ground pressures of tracks with the LICCON job planner are based on idealized assumptions.

Side deformations of the boom system due to wind, inclined position and elastic compliancy of the steel structure are not taken into account in the LICCON job planner.

These influences can lead to an increase of support forces or increase of ground pressures of the tracks.

19 Support

19.1 Supporting the crane



DANGER

Toppling crane.

When actuating the supports with attached load and / or at loaded derrick ballast guying, the incline and the force conditions of the entire boom system change.

There is **no** shut off by the LICCON overload system.

The crane can topple over.

Personnel can be severely injured or killed.

- ▶ When a load is suspended it is prohibited to actuate the support.
- ▶ When the derrick ballast guying is loaded it is prohibited to actuate the support.

It is absolutely essential that the crane be supported exactly in accordance with the load charts to ensure safe crane operation.

The match of the sliding beams placement surfaces must be observed to ensure proper force transfer between the sliding beams.

The crane may only be supported in these extension conditions.



WARNING

Toppling crane.

If only the sliding beams on the load side are extended, then the crane can topple over and kill personnel.

- ▶ Move all 4 sliding beams and support cylinders out according to the data in the load chart and pin.
- ▶ In intermediate positions between the support bases, do **not** support.
- ▶ Pin the sliding beams to support base according to the load chart.
- ▶ Fully insert and secure the pins.



WARNING

Danger of toppling the crane due to incorrect extension of the sliding beams.

The load suspended on the hook causes tension and deformation of the hoist rope and telescopic boom. The same applies for operation with lattice jib and guy ropes. If the load is dropped from the fastening ropes or if the fastening or hoist rope breaks in this situation, a sudden relief occurs. The boom snaps back quickly. This can cause the crane to topple over.

Despite previous assumption, it might become necessary to swing the load to the opposite side. This can cause the crane to topple over.

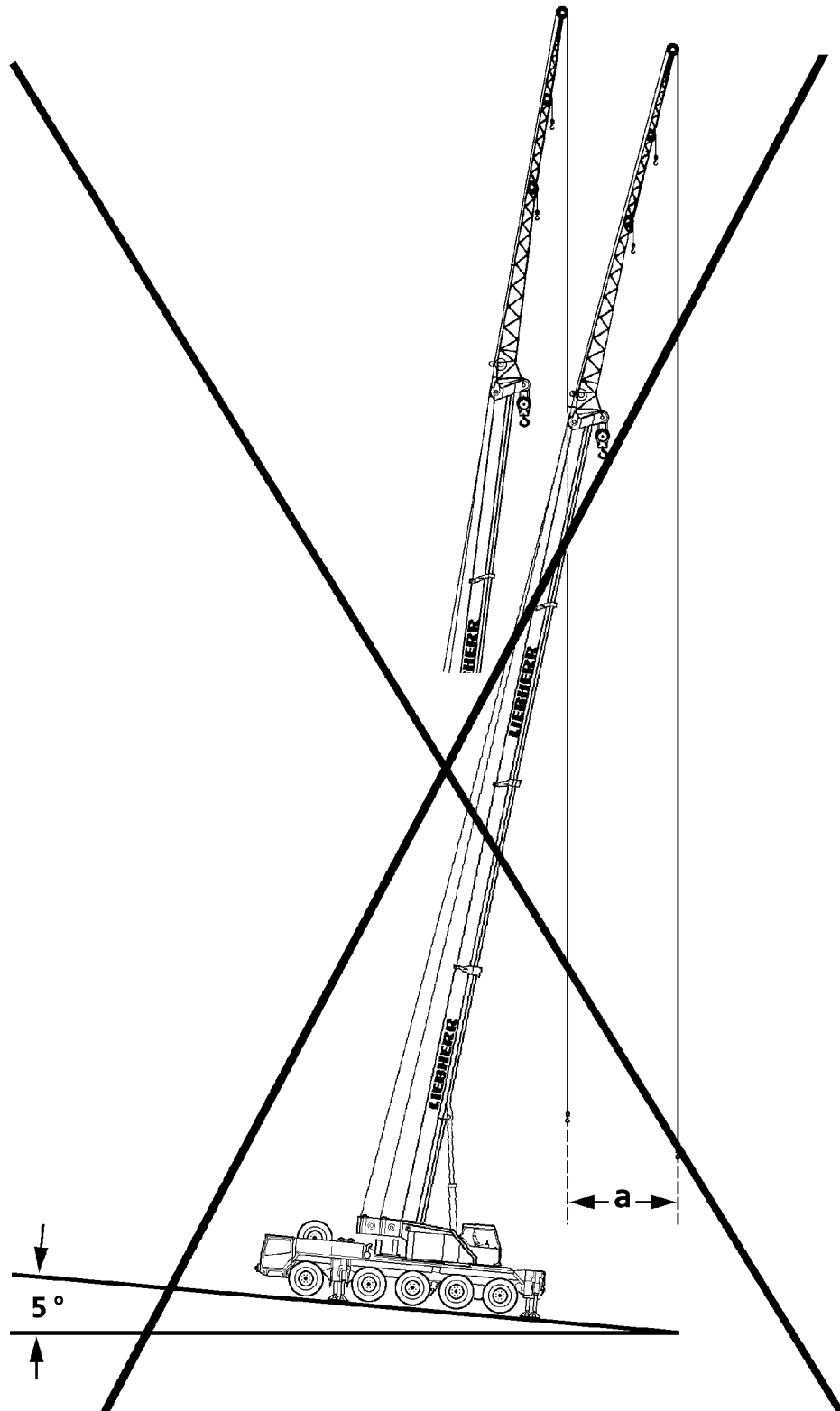
The boom and / or counterweight momentum may cause the crane to topple when slewing from the longitudinal vehicle direction.

- ▶ Move all 4 sliding beams and support cylinders out according to the data in the load chart.

19.2 Supporting the crane with *variable support*

When supporting the crane with *variable support* special measures are required. These measures are described in detail in the Crane operating instructions, chapter 6.26.

20 Aligning the crane



LWE/LR 11350-005/19004-04-02/en

Fig. 121164: Example for **non-permissible** incline position

In addition to the proper foundation for the supports, the horizontal alignment of the crane is of utmost importance for safe crane operation.

**DANGER**

The crane can topple over due to the incline position.

If the crane is positioned at an incline, and if the boom is turned towards the slope, then the radius is increased as a result.

It is possible that the slewing gear can no longer hold the crane superstructure and, in extreme cases, the crane can topple over.

Personnel can be severely injured or killed.

▶ Align the crane horizontally before starting crane operation.

If the horizontal alignment of the crane has to be readjusted:

▶ Set the load down on the ground before readjusting the crane.

For cranes on crawlers, readjustment is **not** possible:

▶ If possible, use load charts for limited terrain incline.

Example: At a boom length of 50 m, an incline of the crane by only 5° at a radius of 10 m causes an increase of the radius of $a = 4$ m.

21 Checking the safety measures

- The placement location has been selected so that the crane may be operated with minimum boom projection.
- The load bearing capacity of the ground is adequate.
- There is sufficient distance to excavations and slopes.
- There are no live transmission wires within the working range of the crane.
- There are no obstacles that will hinder required crane movements.
- The crane is horizontally aligned.
- When crane support is required:
 - All four sliding beams and support cylinders have been extended according to the support base given in the load chart.
 - The sliding beams have been secured with pins to prevent them from moving.
 - The support plates are pinned and secured in operating position.
- On mobile cranes:
 - The axle suspension is blocked.
 - The axles are relieved, which means the tires do not touch the ground.

22 Safety guidelines in case of external power supply



Fig.197720

A potential hazard exists when supplying a crane with an external power supply from a low voltage distribution system (100 V AC to 400 V AC).

A special electrical hazard is present when a protective conductor is interrupted (caused by the mechanical stress on flexible supply lines or the service connection), loose terminal connections, high wire or contact resistance, mixed up conductors, defective or missing protective equipment (FI / fault interrupters) in combination with a body contact on the crane.



WARNING

Danger of fatal injury if the body conducts current.

Water and / or defective devices can cause hazardous stray voltages when touched. The person touching the crane is subject to lethal currents.

- ▶ The external supply cable must be in good working order.

Make sure that the external flexible supply cable is in good working order.

Where applicable, we recommend the use of a power isolating transformer.

23 Grounding

23.1 Grounding the crane



WARNING

Danger of fatal injury due to electric shock.

There is a danger of electrical shock, if the crane is not properly grounded.

- ▶ Properly ground the crane.
- ▶ Make sure that there is a potential equalization between the crane and the ground.

The crane must be grounded before operation:

- Near transmitters (radio and TV transmitters, radio stations, etc.)

- Near high frequency switching stations
- In case of severe possibility of thunderstorms or potential thunderstorms

The crane can become electrostatically charged, especially if the crane is equipped with synthetic support mats or if the support mats are placed on insulating materials (such as wooden planks).

23.2 Grounding the load



WARNING

Danger of fatal injury due to electric shock.

There is a risk of electrical shock, if the load is not properly grounded.

- ▶ Properly ground the load.
 - ▶ Make sure that there is a potential equalization between the load and the ground.
-

The load must be grounded before operation:

- Near transmitters (radio and TV transmitters, radio stations, etc.)
- Near high frequency switching stations
- In case of severe possibility of thunderstorms or potential thunderstorms

The load can become electrostatically charged, even if the crane is grounded. This applies in particular if a hook block with pulleys made of synthetic material and non-conductive fastening equipment (for example plastic or manila ropes) are used.

24 Working in the vicinity of transmitters

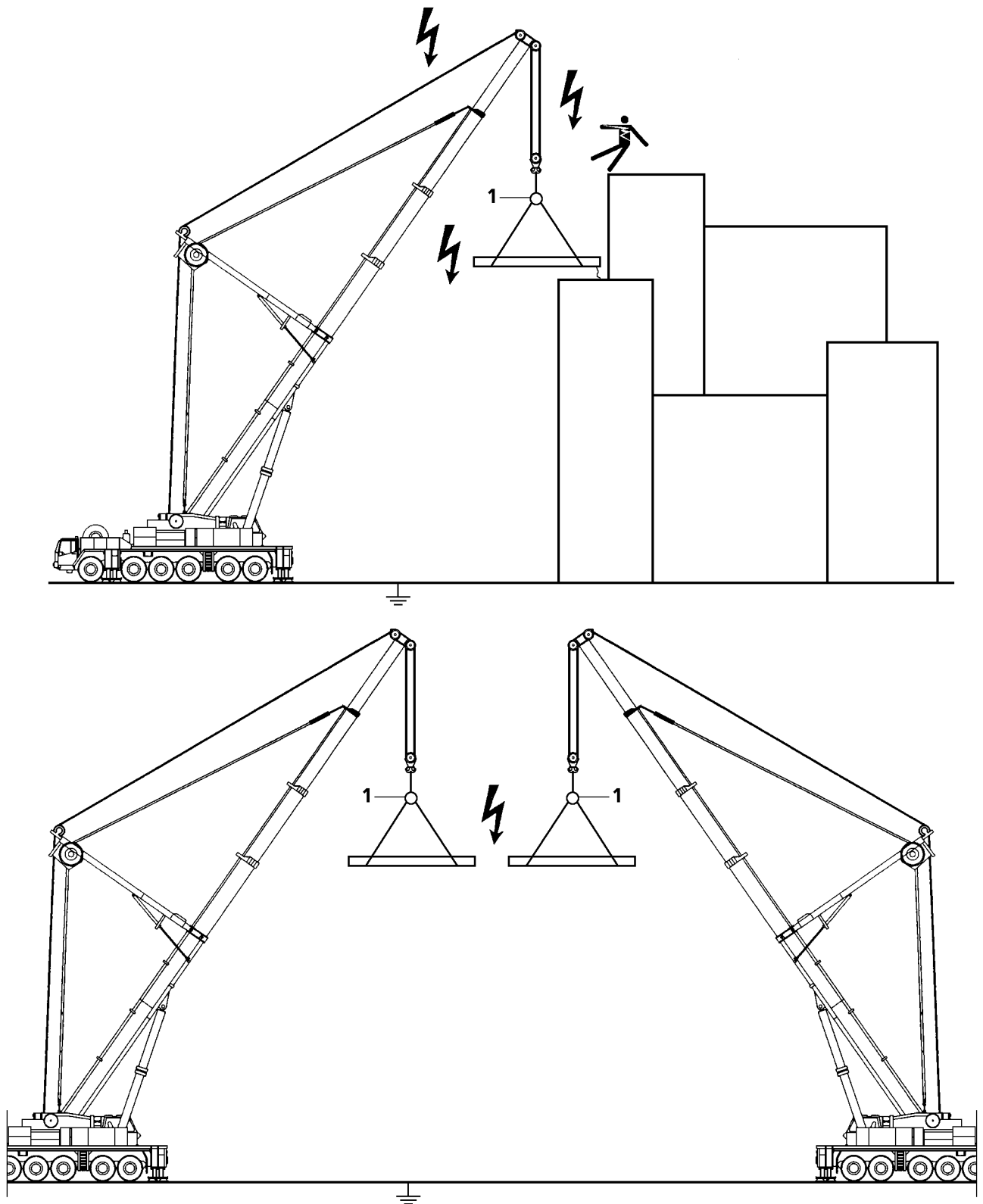


Fig.121165: Example for electrostatic charge

Strong electromagnetic fields are likely to be present if the construction site is close to a transmitter.

These electromagnetic fields can pose direct or indirect danger to persons or objects, for example:

- Effect on human organs due to temperature increase.

- Danger of burns or inflammation due to temperature increase
- Spark or electric arc formation

**DANGER**

Danger due to electromagnetic fields.

- ▶ Before operating a crane in the vicinity of transmitters, be sure to consult with Liebherr-Werk Ehingen GmbH.
- ▶ Also consult a high frequency specialist.

High frequency (HF) radiation from a transmitter requires supplementary work safety protection and special environmental specifications for crane operators and personnel:

1. Each crane must be „fully“ grounded. Check visually or with a simple continuity tester to ensure that ladder, crane cab and rope pulleys are grounded.
2. All personnel working on the crane or with large metal objects must protect themselves from burns by wearing non-conductive synthetic gloves and suitable clothing while working.
3. There is no need to panic if you feel your hand warm up. Always work under the assumption that the respective workpiece, structural steel member or support is „hot“.
4. The temperature of objects affected by high frequency radiation depends on their „size“. Cranes, carriers and coverings, for example, are „hotter“.
5. Contact with other crane loads is not permitted when operating the crane (arcing). Since defects caused by burns considerably reduce rope carrying capacity, any such occurrences must be reported immediately to the foreman so that the ropes can be inspected.
6. An insulator **1** is required at all times between the crane load hook and fastening equipment. It is strictly prohibited to remove this insulator **1**.
7. Do not touch the ropes above the insulator **1**.
8. Loads that are attached to the crane may not be touched by any unprotected parts of the body after the load has been lifted or set down.
9. Do not work with a bare upper torso or in short pants, this is prohibited.
10. To minimize absorption of high-frequency radiation, larger loads should be transported horizontally if possible.
11. Loads must be grounded, or additional insulation used (rubber material between the object and gloves) when manual work is required.
12. Use a suitable measuring instrument to check the „temperature“ of the workpiece.
For example, if 500 V can be measured on a workpiece at a distance of 1 cm to 2 cm, then the workpiece may not be touched with bare hands.
The greater the distance, the higher is the voltage on the object:
At 10 cm distance, approx. 600 V are present, at 30 cm distance approx. 2000 V are present.
13. When refueling the crane, it must be ensured that no sparks are created within a radius of 6 m, neither by handling larger metallic parts nor by other work.
14. To avoid secondary accidents, use personal protective equipment when working on components that are high off the ground.
15. Any accidents and unexpected events must immediately be reported to the local construction supervisor and the safety engineer.

25 Crane operation in case of thunderstorms

In weather conditions, which can include lightning:

- Stop work on the crane.
- If possible, place the load down.
- If possible, telescope the boom in or put it down and bring it into a safe condition.

If this is not possible, the crane cab must remain occupied by the crane operator to keep the crane and the load always under control.

**WARNING**

Danger of accidents due to lightning strikes.

- ▶ Make sure that there are no persons near the immediate area of the crane.

26 Wind influences



Note

- ▶ The wind speeds are valid for a 360° wind direction for a 3-second wind gust at the highest point of the crane.



WARNING

Disregard of permissible wind speeds.

If the permissible wind speeds are disregarded, the crane can topple over. Personnel can be severely injured or killed.

- ▶ It is prohibited to erect the crane to measure the wind speed.
- ▶ Observe the permissible wind speeds depending on the assembly / crane conditions and act accordingly, see following chart.

Assembly / crane conditions	Reference for permissible wind speed
Erection and take down of various boom configurations	Wind speed charts and / or Erection and take down charts.
Crane operation	Load chart manual
When the permissible wind speed according to the load charts is exceeded in crane operation, then crane operation is prohibited .	Wind speed charts
Interruption of crane operation when crane remains equipped	Wind speed charts
Crane out of operation, when crane remains equipped	Wind speed charts



Note

No wind speed charts available.

For a set up configuration for which no wind speed charts are available:

- ▶ Observe and adhere the maximum wind speeds of the load charts.



WARNING

Increase of support force and exceedance of permissible ground pressure.

The wind load on the crane boom has **not** been taken into account for the planning of crane operation with the LICCON job planner.

As a result, the actual values of the support forces and the ground pressure can be significantly higher than the values determined with the LICCON job planner.

The wind affecting the crane and the load, the elastic distortion of the crane structure, incline position as well as wind exposure surface (A_w) per ton of hoist load larger than 1.2 m²/t can significantly increase the support force.

The ground pressure is increased.

- ▶ Do not exceed the permissible ground pressure.



Note

- ▶ The determining factor for all crane work in the actual wind speed at the job site of the crane.
- ▶ The current wind speed can be checked at the nearest weather bureau.
- ▶ Be aware that the wind speed on the boom jib is higher than near the ground.
- ▶ Always observe the national valid regulations.

26.1 Wind speed charts for *variable support*

For *variable support*: Observe and adhere to the wind speed charts according to the support base for the smallest extension length of the sliding beams.

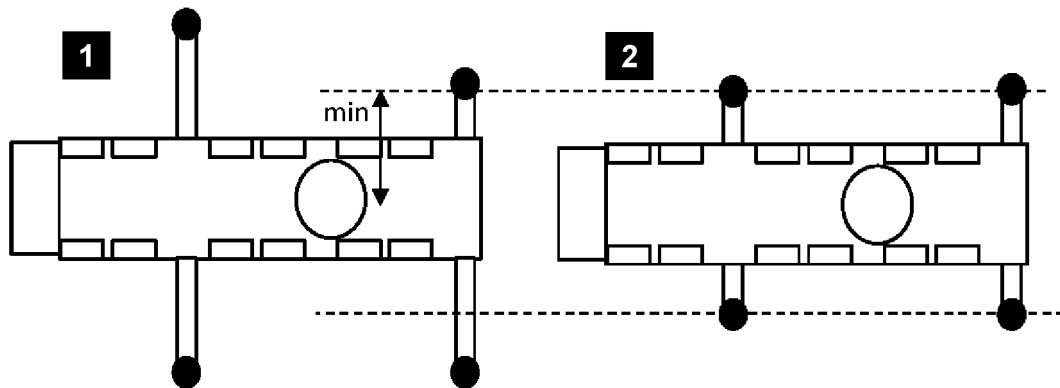


Fig.121577: Example for the selection of wind speed charts for *variable support*

Example for the selection of wind speed charts for *variable support*

- The crane is supported with *variable support* according to illustration 1.
- Select wind speed charts according to the support base in illustration 2.



Note

No wind speed charts available.

If the smallest extension length of a sliding beam is less than those of the wind speed charts on hand:

- ▶ Observe and adhere the maximum wind speeds of the load charts.

26.2 Wind speed, wind gust speed and wind direction

The depiction of the wind is made by statement of wind speed (wind force), wind gust speed and wind direction.

High above the ground, the wind is less influenced by the surface condition of the ground. In the lower layers of the atmosphere, the wind speed is reduced by the ground friction. One differentiates between roughness of terrain, influence of obstacles and influence of terrain contours. Vegetation, buildings etc have great influence on the wind speed, wind gust speed and wind direction.

The site selection is thus especially important for wind measurement.

The wind speed, wind gust speed and wind direction are subject to significant time and local fluctuations. For that reason it is important to have reliable information regarding the expected wind speed, wind gust speed and wind direction during a load lift and to carry out exact wind measurements.

For mobile cranes, always assume a wind load of 360°. The determining factor is the „3 second gust speed“ on the highest point of the boom.

26.3 Measurement of wind speed

The anemometer installed on the crane boom measures the wind speed on the tip of the boom and shows the current wind speed in the crane cab.

The function of the anemometer must be checked every time before erection of the boom by manually actuating the shell start for easy movement and proper function.

Before lifting a load, especially with large wind exposure surface, the wind speed and the wind direction expected during the lift must be known. Information can be obtained for example at the local weather bureau. The determining factor is the „3 second gust speed“ on the highest point of the boom.

**WARNING**

Overload of crane.

The acoustic wind warning is only issued if the standard wind exposure surface in the load chart is exceeded (wind surface per ton load: 1 m², drag: 1.2) given wind speed.

If the permissible wind speed must be reduced for loads due to large wind exposure surfaces, no acoustic wind warning is issued.

There is no shut off of crane movement.

- ▶ The wind exposure surface and the wind resistance coefficient for the load to be lifted must be known.
- ▶ The maximum permissible wind speed specified in the load chart must be reduced for large wind exposure surfaces as described in the load chart manual chapter "Wind influences during crane operation".

For safe determination of wind speed, the crane must be turned before application by 360°. The highest measured value while doing so must be compared with the „maximum permissible wind speed“ for the load according to the load chart. Thus the possibility that the result of the measurement is distorted due to nearby buildings, cranes or components is eliminated.

In gusty wind conditions, the probability of sudden high wind speed increases. In gusty wind conditions no large surface loads may be lifted.

**Note**

- ▶ If in doubt and in case of questions for further information and / or training in the area of „Wind influences in crane operation“ contact the Customer Service at Liebherr-Werk Ehingen GmbH.

26.4 Conversion chart for wind force

**Note**

- ▶ The influence of the wind on the surrounding is described clearly in the Beaufort scale to provide an orientation for the crane operator.
- ▶ The wind force of the Beaufort scale refers to the wind speed determined over 10 minutes at a height of 10 m.

Wind force		Wind speed		Effect of the wind Inland
Beaufort number	Description	[m/s]	[km/h]	
0	Calm	0 to 0.2	1	Calm, smoke rises vertically
1	Slight air movement (draft)	0.3 to 1.5	1 to 5	Wind direction is shown only by observing the trail of smoke, not by the wind sock
2	Light breeze	1.6 to 3.3	6 to 11	Wind can be felt on the face, the leaves rustle, wind sock moves slightly
3	Gentle breeze	3.4 to 5.4	12 to 19	Leaves and small twigs in constant motion Wind extends a flag
4	Moderate breeze	5.5 to 7.9	20 to 28	Swirls up dust and loose paper, moves twigs and thin branches
5	Fresh breeze	8.0 to 10.7	29 to 38	Small deciduous trees begin to sway, whitecaps form at sea
6	Strong breeze	10.8 to 13.8	39 to 49	Thicker branches move; telephone lines begin to whistle, umbrellas are difficult to use
7	Near gale	13.9 to 17.1	50 to 61	Entire trees swaying; difficult to walk into wind

Wind force		Wind speed		Effect of the wind Inland
Beaufort number	Description	[m/s]	[km/h]	
8	Gale force wind	17.2 to 20.7	62 to 74	Breaks branches off trees, impedes walking in open areas considerably
9	Gale	20.8 to 24.4	75 to 88	Minor damage to property (chimney caps and roofing tile are blown off)
10	Severe storm	24.5 to 28.4	89 to 102	Trees are uprooted, significant damage to property
11	Violent storm	28.5 to 32.6	103 to 117	Extensive, widespread storm damage
12	Hurricane	32.7 and more	118 and more	Major destruction

Beaufort scale

26.5 Height dependent wind speeds according to EN 13000:2010



Note

- ▶ The maximum permissible wind speed (v_{max}) and the maximum permissible wind speed according to the load chart (v_{max_TAB}) always refers to the 3 second wind gust speed, which is present in the maximum height of the crane.
- ▶ Instead of the 3 second wind gust speed, weather information services often report a wind speed (v_m), which is averaged within a time period of 10 minutes (so-called 10 minute average). It refers to the wind force on the Beaufort scale, normally to the medium value of the wind speed, which is determined within a time from of 10 minutes at a height of 10 m above ground or above sea level.
- ▶ The determining factor for the calculation of the 3 second wind gust speed in maximum height of the crane is significantly higher than the medium value of the wind speed, which is determined over a time of 10 minutes at a height of 10 m above ground.



Note

- ▶ The following chart shows the 3-second wind gust speed depending on the height and the Beaufort number and / or the wind speed determined over a time of 10 minutes at a height of 10 m.
- ▶ With the aid of this chart the 3-second wind gust speed for a certain height can be determined.

Beaufort number	3	4	5 ^a	5	6	7 ^a	7	8	9	10
v_m [m/s ^b]	5.4	7.9	10.1	10.7	13.8	14.3	17.1	20.7	24.4	28.4
z [m]	$v(z)$ [m/s]									
10	7.6	11.1	14.1	15.0	19.3	20.0	23.9	29.0	34.2	39.8
20	8.1	11.9	15.2	16.1	20.7	21.5	25.7	31.1	36.6	42.7
30	8.5	12.4	15.8	16.8	21.6	22.4	26.8	32.4	38.2	44.5
40	8.7	12.8	16.3	17.3	22.3	23.1	27.6	33.4	39.4	45.8
50	8.9	13.1	16.7	17.7	22.8	23.6	28.3	34.2	40.3	46.9
60	9.1	13.3	17.0	18.0	23.3	24.1	28.8	34.9	41.1	47.9
70	9.3	13.5	17.3	18.3	23.6	24.5	29.3	35.5	41.8	48.7
80	9.4	13.7	17.6	18.6	24.0	24.8	29.7	36.0	42.4	49.4
90	9.5	13.9	17.8	18.8	24.3	25.1	30.1	36.4	42.9	50.0
100	9.6	14.1	18.0	19.1	24.6	25.4	30.4	36.9	43.4	50.6

Beaufort number	3	4	5 ^a	5	6	7 ^a	7	8	9	10
110	9.7	14.2	18.2	19.2	24.8	25.7	30.8	37.2	43.9	51.1
120	9.8	14.3	18.3	19.4	25.1	25.9	31.1	37.6	44.3	51.6
130	9.9	14.5	18.5	19.6	25.3	26.2	31.3	37.9	44.7	52.0
140	10.0	14.6	18.7	19.8	25.5	26.4	31.6	38.2	45.1	52.5
150	10.0	14.7	18.8	19.9	25.7	26.6	31.8	38.5	45.4	52.9
160	10.1	14.8	18.9	20.1	25.9	26.8	32.1	38.8	45.7	53.2
170	10.2	14.9	19.1	20.2	26.0	27.0	32.3	39.1	46.0	53.6
180	10.3	15.0	19.2	20.3	26.2	27.1	32.5	39.3	46.3	53.9
190	10.3	15.1	19.3	20.4	26.4	27.3	32.7	39.5	46.6	54.2
200	10.4	15.2	19.4	20.6	26.5	27.4	32.8	39.8	46.9	54.6
^a Wind stages for the crane in operation: 1 light $v_m = 10.1$ m/s at $z = 10$ m $v(z) = 14.1$ m/s $q(z) = 125$ N/m ² 2 normal $v_m = 14.3$ m/s at $z = 10$ m $v(z) = 20.0$ m/s $q(z) = 250$ N/m ²										
^b Upper limit of Beaufort scale										

3-second wind gust speed depending on the height and the Beaufort number and / or the wind speed determined over a time of 10 minutes at a height of 10 m.

Sign	Unit	Definition
v_m	[m/s]	Wind speed determined over a time of 10 minutes at a height of 10 m
z	[m]	Height above level ground
$v(z)$	[m/s]	Speed effective at height z , decisive for the calculation of a 3 second gust
$q(z)$	[N/m ²]	At a height z effective quasi-static back pressure, determined from $v(z)$

Symbol

26.6 Wind influences during erection and take down



WARNING

Toppling crane.

If a boom or a boom system is erected or taken down and the expected wind speeds are larger than the maximum permissible wind speeds according to the wind speed chart, then the crane can topple over and fatally injure personnel.

- ▶ If wind speeds are expected which are larger than the maximum permissible wind speeds for erection, then erection of the boom or erection of the boom system is prohibited.
- ▶ If wind speeds are expected, which are larger than the maximum permissible wind speeds for take down, then the boom or the boom system must be taken down immediately.

**WARNING**

Wind speed higher than permissible.

When the permissible wind speed for „Crane out of operation“ is higher than the permissible wind speed for take down: Take down of the boom is not permissible in case of unexpected increase of wind speed.

Toppling crane. Death, severe injury, property damage.

- ▶ If wind speeds are expected which are higher than the maximum permissible wind speeds for "Crane out of operation", then take the equipment and the boom down.
- ▶ Always take the boom down for safety reasons if weather conditions are unclear, see Erection and take down charts.
- ▶ Observe the permissible wind speeds for take down.

26.7 Wind influences in crane operation

**WARNING**

Toppling crane.

Unforeseeable factors, such as sudden wind gusts on the crane and the load cannot be exactly predicted in advance.

- ▶ The size and shape of the load has a significant influence on the permissible wind speed during crane operation.
- ▶ Carry out a professional job planning with authorized and trained expert personnel. All environmental conditions, such as weather forecast and wind speeds must be taken into account.
- ▶ The authorized and trained expert personnel must have sufficient knowledge in the area of „Wind influences in crane operation“.

**Note**

- ▶ Calculation examples are included in the load charts. If you need further information, contact Liebherr-Werk Ehingen GmbH.

Depending on crane application, for example:

1. Lifting of large surfaced loads.
2. Working with long boom combinations.
3. Erection and take down of boom combinations.

The crane operator must check with appropriate information sources about the expected wind speeds, at:

1. The start of crane operation.
2. Interruption of crane operation.
3. Resumption of crane operation

**WARNING**

Toppling crane.

If the crane is operated at wind speeds which are larger than the maximum permissible wind speeds according to the load chart, then the crane can topple over and kill personnel.

- ▶ If wind speeds are expected which are larger than the maximum permissible wind speeds for the equipped crane, then the attachments and the boom must be taken down.
- ▶ If wind speeds are expected which are larger than the maximum permissible winds speeds for crane operation, then it is prohibited to lift a load.

26.8 Wind influences for „Crane out of operation“



WARNING

Toppling crane. Death, severe injury, property damage.

If the crane is taken out of operation in set up condition and the expected wind speeds are higher than the maximum permissible wind speeds according to the wind chart, then the crane can topple over and fatally injure personnel.

- ▶ If wind speeds are expected which are higher than the maximum permissible wind speeds for „Crane out of operation“, then take the equipment and the boom down.
- ▶ Always take the boom down for safety reasons if weather conditions are unclear, see Erection and take down charts.
- ▶ Observe the permissible wind speeds for take down.

27 Lifting a load with two cranes

Before lifting a load with two cranes, the crane operator or a representative of the operator must determine the work sequence and assign a responsible supervisory person for the operation. The responsible supervisory person must monitor the operation and remain in constant contact with the crane operator.



WARNING

Overload and toppling the cranes.

If the load is not lifted or lowered exactly evenly by both cranes, then the center of gravity changes. The cranes can be overloaded and topple over.

Personnel can be killed or seriously injured.

- ▶ Make sure that the cranes are horizontally aligned.
- ▶ Observe the national valid standards, regulations and accident prevention guidelines.
- ▶ Determine the utilization degree of the cranes in operation, depending on the complexity of the load lift.
- ▶ Plan for sufficient safety reserves.
- ▶ Avoid side load on the boom.
- ▶ Carry out crane movements synchronously and slowly.



Note

- ▶ The total weight and the center of gravity of the load must be known exactly.
- ▶ Carry out the job planning in detail and with care.
- ▶ Avoid fastening points below the center of gravity of the load.

When the operational conditions or the work to be carried out require:

- ▶ Set up an assembly plan and operating instructions for the operation.

In the drawing is shown how the center of gravity for the load changes if the load is lifted or lowered unevenly. Already a slight incline of the load can cause the crane to be overloaded.

If the load on crane 2 (F_2) is lowered, the load on crane 1 (F_1) increases. Crane 1 can thereby be overloaded.

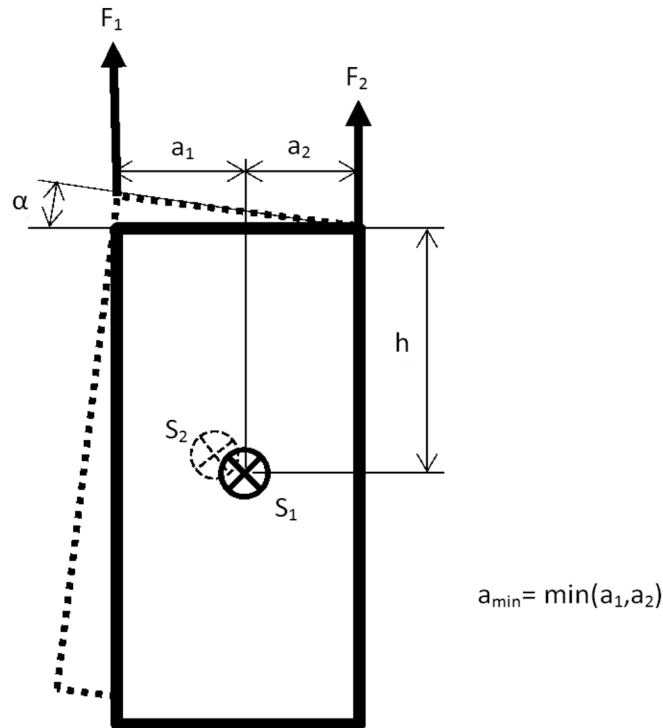


Fig. 124126: Geometric conditions

F_1	Load on crane 1	F_2	Load on crane 2
S_1	Center of gravity of load	S_2	Center of gravity of load at incline position
h	Vertical distance between center of gravity of load and fastening points	α	Angle of load at incline position
a_1	Horizontal distance between center of gravity of load and fastening point crane 1	a_2	Horizontal distance between center of gravity of load and fastening point crane 2
a_{\min}	Smallest horizontal distance between center of gravity of load and fastening point (minimum from a_1 and a_2)		

The following chart shows the dependence of the ratio of h/a_{\min} at a maximum permissible incline position of the load of 3° in reference to the permissible load utilization of cranes in percentages.

**WARNING**

Danger of accident if standing under suspended load.

- ▶ Always keep loads in sight.
- ▶ Standing under suspended loads is prohibited.

If this is not possible, the crane operator may only operate the crane if he is signed by an assigned guide.

The operator may be guided by hand signals or a two-way radio. It must be ensured that there are no misunderstandings.

**WARNING**

Danger of accident caused by misunderstood hand signals.

- ▶ Hand signals must be mutually agreed upon and clearly executed.
- ▶ In any case, **national regulations** must be observed.

29.1 Hand signals

29.1.1 Starting operation, follow my instructions

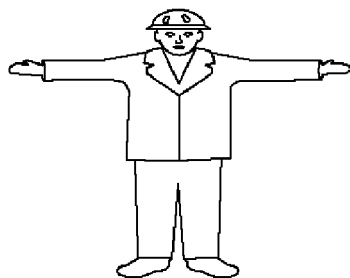


Fig.111700: Start operation, follow my instructions

Both arms stretched out horizontally with hands open and palms directed to the front.

29.1.2 Stop (normal stop)



Fig.111701: Stop (normal stop)

Lift one arm overhead with open hand and palm directed to the front.

29.1.3 Emergency stop (quick stop)

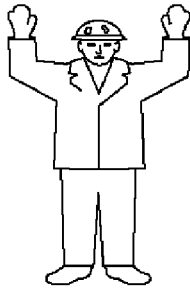


Fig.111702: Emergency stop (quick stop)

Lift both arms overhead with open hands and palms directed to the front.

29.1.4 End operation, no longer follow my instructions

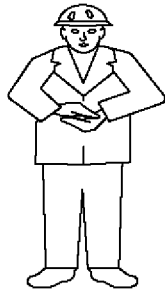


Fig.111703: End operation, no longer follow my instructions

Fold hands together at chest height in front of body.

29.1.5 Inching gear or very slow movement

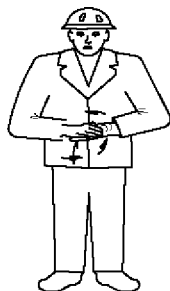


Fig.111704: Inching gear or very slow movement

Rub palms together in circular motion. After this sign, all other applicable hand signals apply.

29.2 Vertical movements

29.2.1 Showing the vertical distance

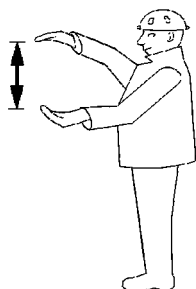


Fig.121364: Show the vertical distance

Both arms stretched out in front of the body one on top of the other, with opposing palms.

29.2.2 Lifting / lowering a load with even speed



Fig.111706: Lift / lower a load with even speed

Lift one arm overhead with closed hand and index finger pointing upward, with small horizontal circular movements with forearm.

29.2.3 Lifting slowly



Fig.121365: Lift slowly

Give lift signal with one hand, the other palm is not moving and positioned over the hand, which gives the signal.

29.2.4 Lowering the load while stationary

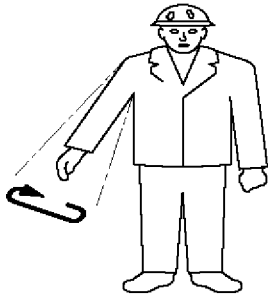


Fig.111708: Lower the load while stationary

Point one arm away from the body, downward, with hand closed and index finger pointing down. Make small circular movements with forearm.

29.2.5 Lowering slowly



Fig.121366: Lower slowly

Give lowering signal with one hand, do not move the other palm and hold it under the hand, pointing to the hand which gives the signal.

29.3 Horizontal movements

29.3.1 Moving / swinging in specified direction

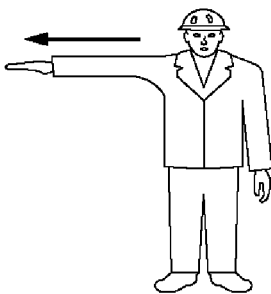


Fig.111710: Move / swing in specified direction

Hold stretched out arm horizontally into the desired direction, with the hand open and the palm pointing down.

29.3.2 Moving away from me



Fig.111711: Move away from me

Stretch out both arms simultaneously with forearms in front, with both hands open and the palms pointing down. Move the forearms repeatedly between the horizontal and vertical position up and down.

29.3.3 Moving toward me

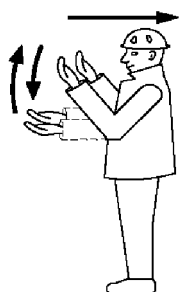


Fig.111712: Move toward me

Stretch out both arms simultaneously with forearms vertically, with both hands open and the palms pointing to the rear. Move the forearms repeatedly up and down.

29.3.4 Moving both track chains

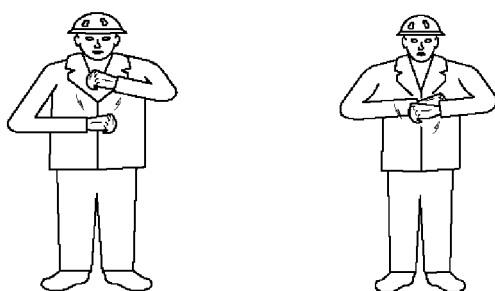


Fig.121367: Move both track chains

Turn both fists around each other in front of the body in direction of the movement (forward or reverse).

29.3.5 Moving one track chain

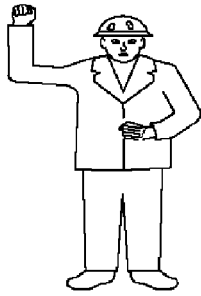


Fig.111714: Move one track chain

Lift one fist to show blockage of chain on one side. Turn the other fist vertically in front of the body to signal movement of the opposite chain.

29.3.6 Showing the horizontal distance

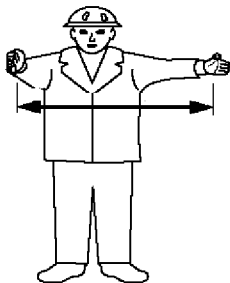


Fig.121380: Show the horizontal distance

Keep both arms stretched out horizontally in front of the body with the palms opposite each other.

29.3.7 Transfer (between two cranes or two hooks)

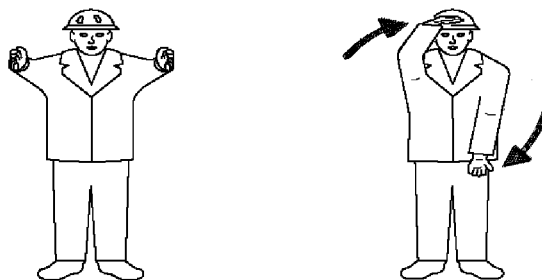


Fig.121368: Transfer (between two cranes or two hooks)

Hold both arms stretched out to the front, parallel and horizontally and turn by 90° in direction of the transfer.



WARNING

Danger of toppling the crane.

- ▶ Make sure that the load carrying capacity of the individual crane and hook is sufficient even if the transfer of the load is suddenly asymmetric.

29.4 Machine related movements

29.4.1 Lifting with main winch

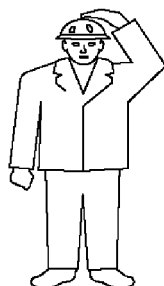


Fig.111719: Lift with main winch

Place one hand on your head and hold the other arm on the side of the body.

After this signal all other hand signals apply only for the main winch.



Note

- ▶ If two or more main winches are present, then the signaller can show the number of the crane by pointing to it or signal with one finger.

29.4.2 Lifting with auxiliary winch

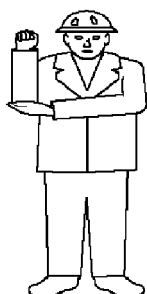


Fig.111720: Lift with auxiliary winch

Hold one forearm vertically with closed hand and touch the elbow of this arm with the other hand.

After this signal all other hand signals apply only for the auxiliary winch.

29.4.3 Lifting the boom

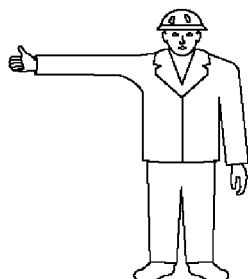


Fig.111721: Lift the boom

Hold one arm horizontally with thumb directed upward.

29.4.4 Lowering the boom

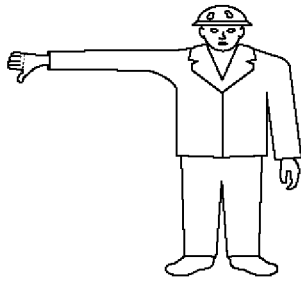


Fig.111722: Lower the boom

Hold one arm horizontally with thumb directed downward.

29.4.5 Extending the boom

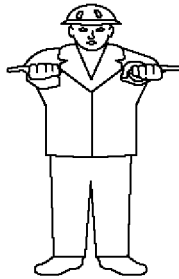


Fig.111723: Extend the boom

Hold both hands (with closed fists) stretched out to the front, with both thumbs directed away from each other.

29.4.6 Retracting the boom

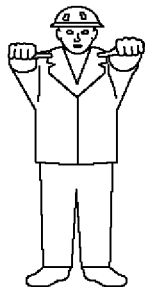


Fig.111724: Retract the boom

Hold both hands (with closed fists) stretched out to the front, with both thumbs directed toward each other.

29.4.7 Lifting the boom and lower the load at the same time

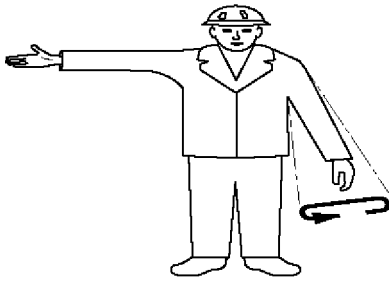


Fig.111725: Lift the boom and lower the load at the same time

Hold one arm stretched out horizontally with thumb directed upward and stretch the other arm downward and away from the body, make small flat circles with the forearm.

29.4.8 Lowering the boom and lift the load at the same time

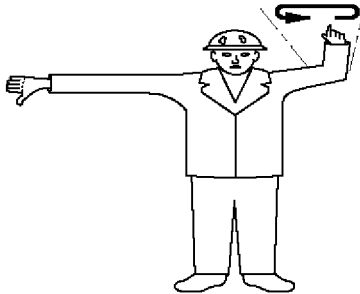


Fig.111726: Lower the boom and lift the load at the same time

Hold one arm stretched out with thumb pointing down, stretch the other forearm upward and make small flat circles.

30 Crane operation with a load



WARNING

Toppling crane.

If the crane is in condition which is **not** operationally safe, the crane can topple over or crane components can fall down.

Personnel can be severely injured or killed.

- ▶ Before starting to work, the crane operator must ensure that the crane is in operationally safe condition.
- ▶ If safe crane operation cannot be ensured by the crane operator, then crane operation is prohibited until an operationally safe condition for the crane is established.
- ▶ Safety devices, for example: Load moment limiter, hoist limit switch, brakes must be fully functioning, otherwise crane operation is prohibited.

Make sure that the following prerequisites are met:

- The load torque limiter must be adjusted according to the current set up configuration of the crane.
- The loads given in the load chart may not be exceeded.
- The crane may never be subjected with a load which exceeds those specified in the load charts.
- The weight, center of gravity and dimensions of the load to be lifted must be known.
- Load carriers, load lifting and fastening equipment must be in accordance with specified requirements.

**Note**

- Make sure that the weight of the hook block and the weight of the fastening equipment is subtracted from the load given in the load chart, see the following chart.

Example:		
Maximum permissible load according to chart		30.000 t
Weight of the hook block	350 kg	- 0.350 t
Weight of the fastening rope	50 kg	- 0.050 t
Actual load capacity of the crane		= 29.600 t

The weight of the load to be lifted, in this example, may not exceed **29.6 t**.

30.1 Counterweight and / or ballast

The type of counterweight and / or ballast required depends on the weight of the load to be lifted and the radius required for crane operation. The deciding factor for the selection of the counterweight and / or ballast is the data in the corresponding load chart.

**WARNING**

Toppling crane.

If the counterweight and / or ballast is not installed according to the load chart, then the crane can topple over and fatally injure personnel.

- Install the counterweight and / or ballast according to the load chart.

30.2 Hoist gear, hoist rope

The lifting capability of the crane depends on the pull force of the hoist gear and the number of possible hoist rope reevings. When using a single strand, the crane can only lift a load that is pulled by the hoist gear.

If the load to be lifted is heavier than the pull force of the hoist gear, then the hoist rope must be reeved as needed according to the principle of a pulley between the pulley head on the boom and the hook block.

When reeving, carefully observe the load chart specifications and the operating instructions.

**WARNING**

Breaking hoist rope.

If the maximum pull force of the hoist gear is exceeded, the hoist rope can break or the hoist gear can be damaged.

The load can fall and kill personnel.

- Observe the maximum tensile force of the hoist gear.

30.3 Crane operation

**DANGER**

There is a high risk of accidents should the following points not be observed.

- Observe the following points.

Great danger of accidents exists if:

1. The load torque limiter is not set to the current set up configuration of the crane and is therefore not able to provide proper protection.
2. The load torque limiter is defective or taken out of operation.
3. The hoist limit switches are defective or not functioning.

4. For crawler cranes and mobile cranes with luffing lattice jib:
The angle sensor and the force test brackets are not functioning.
5. For mobile cranes and crawler cranes with support:
The sliding beams of the hydraulic supports are not extended to the dimensions specified in the load chart.
6. On crawler cranes:
The crawlers are not supported with stable base material sufficiently large for the ground conditions.
7. For mobile cranes and crawler cranes with support:
The support plates are not supported with stable base materials sufficiently large for the ground conditions.
8. If the load is pulled at an angle.
Angular pulling to the side is particularly dangerous, because the boom has only minimal lateral resistance momentum.
Angular pull is prohibited.
9. Load attached during disassembly is too heavy and is freely suspended on the crane after release.
10. The load hook is used to break away stuck loads.
Even if the weight of a stuck load does not exceed the permissible load capacity, the crane can topple over backwards if the load is suddenly released due to the tension of the boom, which can cause it to jerk back violently.
11. When working when the wind is excessively strong.
Comply with the load chart specifications.
12. The crane is not aligned horizontally and the load is swung toward the slope.
13. If improper crane movements cause the suspended load to swing like a pendulum.
14. The loads and radii specified in the load charts are exceeded.
15. When working in the vicinity of electricity transmission lines:
 - The electricity transmission lines were not turned off by expert electricians
 - or the danger zone was not covered or blocked off.



WARNING

Danger of current transfer.

If electricity transmission lines are not shut off nor covered nor blocked off, then there is an increased danger due to current transfer.

► Adhere to the safety distance according to the following chart.

If the crane becomes electrified despite having taken all necessary precautions, proceed as follows:

- Remain calm!
- Do not leave the crane cab.
- Warn people outside: Stay in place and do not touch the crane.
- Move the crane away from the danger zone.

Nominal voltage	Safety clearance	
	4 m	10 ft
Up to 50 kV	4 m	10 ft
More than 50 kV to 200 kV	5 m	15 ft
More than 200 kV to 350 kV	7 m	20 ft
More than 350 kV to 500 kV	8 m	25 ft
More than 500 kV to 750 kV	11 m	35 ft
More than 750 kV to 1000 kV	14 m	45 ft
More than 1000 kV	Determination by power supplier or authorized electrician	Determination by power supplier or authorized electrician

Safety distance to electrical power lines depending on the nominal voltage

31 Lifting of personnel

31.1 Destined use

- The destined use of the crane is **lifting of loads**.
- **Lifting of personnel** is **not** considered to be destined use of the crane.



Note

- ▶ These instructions do **not** apply for work platforms, which are attached on the crane boom and are used to lift personnel. This subject is governed by international standards for mobile aerial work platforms.



WARNING

Non-designated use of the crane.
Personnel can be severely injured or killed.

- ▶ The crane is **not** intended to lift personnel.
- ▶ The crane may **not** be used for recreational purposes and exhibitions, such as lifting personnel for shows, bungee jumping or Dinner in the sky.
- ▶ The crane may **not** be used for lifting of devices with personnel on them or under the device, such as lifting of tents.
- ▶ Exception: If lifting of personnel for special work situations is the least dangerous possibility to carry out the work, then personnel may be lifted or brought into a suspended position when using lifting cages (cherry pickers).

31.2 Prerequisites for lifting of personnel

Make sure that the following prerequisites are met:

- Lifting personnel with cranes is permissible by national and local laws in the country where this crane application is carried out.



DANGER

Lifting of personnel.

Accidents which occur when lifting personnel often result in severe injuries or even death.

- ▶ This exceptional application is within the scope of responsibility of the user and is only permitted if the requirements and instructions in the next sections are observed and adhered to.
- ▶ The company, the supervisor, the crane operator and auxiliary personnel must proceed especially carefully and safety conscious.
- ▶ Before the lifting procedure, a meeting must be held with all associated personnel.
- ▶ The following warning notes and safety regulations must be strictly observed.

31.2.1 Legal prerequisites

Make sure that the following prerequisites are met:

- Special arrangements were made for the use of the lifting cage (cherry picker) according to the requirements of national laws.
- If required by national laws: The use of the crane to lift personnel was reported to the state agency for occupational health and safety. The lifting procedure may possibly require a special permit.
- Before the implementation of the lifting procedure with the aid of a work-specific risk analysis for the possibility of rescuing personnel in emergencies was defined.
- To rescue personnel in emergencies, precautionary measures must be present on the crane, if they are required by national laws.
- The measures for safe operation near power lines, depending on the conditions on the job site and the national laws / national regulations were observed and adhered to.

31.2.2 Prerequisites for crane equipment and accessories

Make sure that the following prerequisites are met:

- The hoist gear to lift personnel must also be able to be moved in emergency operation.
- Before lifting personnel, the crane was inspected. No damage was found.
- The lifting cage (cherry picker) is utilized according to national laws and / or standards and according to intended purpose.
- Before lifting personnel, the lifting cage (cherry picker) was carefully inspected. No damage was found.
- Every emergency rescue device was inspected and its operational readiness was determined, if required by national laws.
- Any hooks in use must be equipped with a latch, which prevents the hook mouth to open. According to national laws, the latch must be manually closable or lockable or must automatically close via a spring.

31.2.3 Inspection before operation

Make sure that the following inspections are made before use of the lifting cage (cherry picker):

- On every new construction site and after every modification or repair: To ensure the operating safety of the lifting cage (cherry picker) and the lifting equipment, a test with 125 % of the nominal load carrying capacity of the lifting cage (cherry picker) without personnel must be carried out. During the test, the lifting cage (cherry picker) may only be lifted just above the ground.
- A test lift with loaded lifting cage (cherry picker) without personnel must be carried out. The weight in the lifting cage (cherry picker) for the test lift must be at least as large as the weight of the personnel and the weight with the work equipment carried along. For this test lift, the course of all planned movements of the lifting procedure must be simulated.
- This test lift must be carried out for every location on a construction site, where personnel must be carried.

31.2.4 Prerequisites for operation with lifting cage (cherry picker)

Make sure that the following prerequisites are met for operation with lifting cage (cherry picker):

- The personnel and technical prerequisites for safe use and operation of the emergency control of the crane are present.
- The emergency control for emergency rescue of the person in the lifting cage is functioning.
- The rope pull is limited to 50 % of the maximum rope pull.
- The crane is utilized only to 50 % of its maximum load capacity of the valid load chart.

32 Securing personnel on shut off crane

32.1 Terms and abbreviations

- PSAgA: Personal protective equipment to prevent falling
- HSG: Height safety device

32.2 Destined use

Cranes are **not** designed to protect personnel against falling.

When the following prerequisites are met, the personnel protection may be permissible:

- A justified individual care is present.
- A project-specific written risk assessment and work procedure for the precise case by the employer is on hand.
- Specific safety measures are strictly adhered to.
- The crane is intended by the manufacturer for personnel protection.

Limitations for movement and operation:

- Moving the secured person on the crane **from** job site and **to** job site is impermissible.

- Moving the secured person on the crane **from** job site and **to** job site is permissible only in case of a rescue operation.
- Operation of the crane by the secured person is impermissible.

32.3 Prerequisites



WARNING

Prerequisites for personnel protection are **not** met.
Danger of accident. Death, severe bodily injuries.

- ▶ Carry out the personnel protection on the shut off crane only when **all** prerequisites in this section have been met.

Make sure that the following prerequisites are met:

- The country-specific, legal regulations are being observed.
- The written risk assessment shows:
 - Technical protective measures with at least the same protective effect are **not** available.
 - The normal fastening devices can **not** be used.
 - Personnel protection on the shut off crane is the safest and most useful method to carry out this work.
- Last transport and personnel protection occur independent of each other:
 - Do **not** carry out personnel protection at the same time as load transport. Simultaneous personnel movement is impermissible.
 - Riding along on the load is impermissible.
- Determination of fastening points and rescue plan for the precise case is on hand from the employer.

32.3.1 Personnel and qualification

Make sure that the following prerequisites for personnel and qualification are met:

- The crane operator is suited and competent to operate the crane.
- Person, which is secured, must be trained in handling the PSAgA.
- The following persons are present on the job site and separately instructed:
 - a supervisor
 - the crane operator
 - required number of rescue staff according to the rescue plan
- Access protection, fall protection on the shut off crane is made in accordance with the project-specific risk assessment on hand and the measures to be taken.
- The supervisor monitors the safe execution of work. He may **not** take part in the work.
- An effective communication must be ensured between crane operator and the secured person.

32.3.2 PSAgA, rescue equipment and tools

Make sure that the following prerequisites and measures are met:

- Use only HSG (height safety device) according to EN 360 in connection with a body harness according to EN 361 to secure the person.
- Connecting device is suited for the occurring stress on the edges, see Manufacturer's documentation or device identification.
- Recurring inspections have been made. There are **no** visible defects present.
- At least 1 m connecting device of the maximum possible extension length of the HSG (height safety device) must remain in the housing.
- Fasten the HSG (height safety device) with two separate connecting devices (for example Securing on crane hook and on crane pulley block).
- Position the crane in such a way that the HSG (height safety device) is at least 5 m and plumb **over** the person, which is being secured.
- Do **not** exceed the maximum permissible deflection of the HSG (height safety device)
- Keep the required space **underneath** the person, which is being secured.
- All required objects (tools, building material) for the work are secured to prevent them from falling.

32.3.3 Crane

Make sure that the following prerequisites are met:

- The maintenance intervals and recurring crane inspections of have been adhered to. There are **no** visible defects present.
- The load on the crane hook in any possible position is at least 600 kg , see Load chart (take the crane pulley block into account).
- Ensure sufficient load capacity: For the load cases catching, pendular fall and possible diagonal pull adhere to the manufacturer's instructions.
- The crane is secured against movements and inadvertent movement (remote control is deactivated, crane control is activated).
- Only for aligning loads in the end position: Carry out a minimum of crane movements with the least possible speed.
- The overload protection is active.
- Auxiliary booms are **not** used.

32.4 Fastening device

Make sure that the following prerequisites are met:

- The crane hook is equipped with the hook safety.
- On the carrying device two connecting devices separated from each other can be fastened.
- HSG (height safety device) is redundantly fastened.
- Suitable fastening devices according to EN 795 Type B are on hand:
 - Round sling or fastening rope with steel core
 - Belt loop
- Textile components must be protected against greases, oils and other aggressive substances.
- Use only steel carabiners according to EN 362 with Tri-Lock function.

32.5 Rescue

A person in an accident must be lifted or lowered with the aid of the crane.

Carry out the following measures to ensure a safe rescue operation:

- Determine the rescue plan and rescue chain at the preparation of the mission.
- Ensure the rescue of a person involved in an accident immediately with locally available means and trained personnel.
- Have the rescue mission coordinated by another person, with visual and voice contact to the crane operator, ground personnel as well as to the person, which is rescued.

32.6 Additional risks

Make sure that the following risks are taken into account:

- Wind effect and environmental influences
- Crushing and shearing points
- Endangerment by additional cranes, for example material transport

33 Welding work on the load



Note

- ▶ The load must also be grounded.

In case of welding work on the load, the screw clamp of the welding unit must be attached on the work piece to avoid current flow via hoist rope, crane superstructure or crane chassis.

34 Travel and crane operation

34.1 Before starting to work

Before driving the crane and before starting to work with the crane:

- ▶ Close all doors.
- ▶ Keep the doors closed during travel and crane operation.

34.2 During crane operation



WARNING

Defective crane.
Death, severe bodily injuries, property damage.

If an erroneous function of a crane movement is recognized during crane operation:

- ▶ Telescope the boom in completely and place it down, find the source of the problem and remedy it.

34.3 Interrupting crane operation



WARNING

Impermissible weather conditions.

If the crane is exposed to impermissible weather conditions during interruption of crane operation, situations can occur which could bring the crane into an unsafe condition.

Toppling crane, death, severe bodily injuries, property damage.

- ▶ Get the weather forecast for the entire period during which the crane is set up.

If the predicted wind speeds are above the permissible values:

- ▶ Place the boom and equipment down in time before impermissible wind speeds occur. See Crane operating instructions, wind speed charts and Erection and take down charts.

When wind conditions are present, which are above the permissible values of the wind speed chart and the boom can no longer be taken down:

- ▶ Make sure that there is no danger for persons, crane and surrounding area. Secure the crane and surrounding area of the crane far enough against access. Warn persons in the surrounding area and bring them in safety.

A weather forecast includes information about:

- Changing weather conditions
- Wind
- Ice
- Precipitation
- Flooding
- Lightning



WARNING

Defective crane.
Death, severe bodily injuries, property damage.

If a crane movement occurs during the interruption of crane operation:

- ▶ Make sure, when an unintentional crane movement occurs, for example as a result of leakage, no danger for persons, crane and surrounding is created.

Leakages can occur all on pressurized hydraulic cylinders, for example on the following cylinders:

- Support cylinder
- Luffing cylinder
- Telescoping cylinder
- Control cylinder

**Note**

- ▶ Movements can occur on hydraulic cylinders also as a result of changing oil temperature.

**WARNING**

Crane is unsupervised.

Situations during interruption of crane operation may occur which could cause the crane to become unsafe if left unsupervised.

Toppling crane, death, severe bodily injuries, property damage.

- ▶ Always watch the crane and keep it under control.

If the crane is in set up condition:

- ▶ Do **not** leave the crane.

If the crane can **not** be constantly kept under control:

- ▶ Place the equipment down and telescope the boom in and place it down.
- ▶ The boom on the crane may only be placed down if the predicted wind speeds according to the wind speed charts are less than the maximum permissible wind speeds during assembly and disassembly.

**WARNING**

Set up crane is unsupervised.

Situations during interruption of crane operation may occur which could cause the crane to become unsafe if left unsupervised.

Toppling crane, death, severe bodily injuries, property damage.

- ▶ Before the crane is unsupervised: Establish an emergency plan.

**Note**

- ▶ An emergency plan includes information how the crane is brought into a safe condition if an unforeseen event occurs.

**WARNING**

Set up crane is unsupervised.

If the set up crane is left during interruption of crane operation, situations may occur which could cause the crane to become unsafe.

Toppling crane, death, severe bodily injuries, property damage.

If possible:

- ▶ Place the equipment down and secure it.

If possible:

- ▶ Telescope the boom in and secure it.

If possible:

- ▶ Place the boom down and secure it.

For mobile crane:

- ▶ Lift the axles to the maximum position and block the hydraulic suspension.
- ▶ Place the suspended ballast down on the ground.
- ▶ Place the load fully on the ground and unhook from the crane hook.
- ▶ Remove the fastening ropes from the hook.

When the hook block remains installed:

- ▶ Lift the hook block into the highest position.
- ▶ Make sure that the hook block does not touch other crane parts or obstacles.
- ▶ If possible, turn the engines off.
- ▶ Set all control levers into neutral position or into a locked position.
- ▶ Turn all secondary systems off, except systems, which are required for restart.
- ▶ Establish the energy supply and functionality of safety devices.
- ▶ Close off all control devices, which are not in use.
- ▶ Disconnect all control devices, which are connected with cables, if possible, and secure them to prevent unauthorized use.
- ▶ Secure control devices without cables to prevent unauthorized use.
- ▶ Make sure that the batteries in control devices without cables are charged.
- ▶ Secure all keys to prevent unauthorized access.

If the construction site has limited space:

- ▶ The decision not to take the boom down while the crane is unsupervised can only be made by an authorized and qualified crane operator, who is familiar with the construction site.

If crane operation with a set up crane is interrupted:

- ▶ Make sure measures are initiated in time by trained, qualified personnel to bring the crane into a safe condition if anything happens.
- ▶ Make sure that no danger can occur for persons, crane and its surroundings should something unforeseen happen.

When the boom can **not** be placed down:

- ▶ Telescope the telescopic boom in as far as possible and erect the boom as far as possible.

When **no** park position is described:

- ▶ Bring the crane into a position, which was determined by an expert, who has knowledge about the job site, conditions, limitations, safety regulations and the expected weather conditions.
- ▶ Make sure that access to the crane and operation for unauthorized personnel is excluded: Close the driver's cab, crane cab and windows.
- ▶ Make sure that all measures were taken to keep the crane in a safe condition if something happens.

Incidents are for example:

- Vandalism
- The ground giving way due to severe rain
- Melting ice under the supports
- Storm and thunderstorm
- Storm and wind
- Lightning
- Flooding

- Landslides
- Washouts
- For mobile cranes and crawler cranes with support:
Slippage of support cylinders (leakage, temperature changes)
- For cranes with telescopic booms:
Slippage of luffing cylinders (leakage, temperature changes)

Make sure that the following prerequisites are met:

- **No** load on hook
- The fastening ropes on the hook were removed.
- The hook block is in the highest position.
- The driver's cab and the crane cab are locked.
- The predicted wind speeds during the time frame of the interruption of crane operation are within the permissible range.
- The crane poses no traffic obstacle.

34.4 Resuming crane operation

Before resuming crane operation, the crane operator is obligated, among others, but not exclusively, to inspect the crane condition, the safety devices, as well as the environmental conditions.



WARNING

Danger of accident.

When the crane operator leaves the crane cab:

- ▶ Before resuming work, check the operating mode setting and reset, if necessary.
- ▶ Check operating mode settings and reset, if necessary.

34.5 Ending crane operation

Before the crane operator may leave the crane, the following prerequisites must be met:

- ▶ Place the load fully on the ground and unhook from the crane hook.
- ▶ On crane with telescopic boom: Telescope the telescopic boom all the way in and place the boom down.
- ▶ On crane with lattice mast boom: Set down the lattice mast boom and disassemble if necessary.
- ▶ Bring the control lever (master switch) to 0-position.
- ▶ Apply the parking brake on the crane chassis.
- ▶ Turn the engine off and pull the ignition key.
- ▶ Turn the battery master switch off and remove the switch cam.
- ▶ Lock the crane cab.
- ▶ Secure the crane to prevent unauthorized use.
- ▶ For mobile crane: Make sure that the driver's cab is **not** occupied. Lock the driver's cab. Secure the crane to prevent it from rolling off unintentionally, see section „Parking the vehicle“.
- ▶ Make sure that no danger can occur for persons, crane and its surroundings should something unforeseen happen.

34.6 Turning / driving in reverse



WARNING

Danger of accidents when turning or driving in reverse.

When turning or driving in reverse, personnel can be overlooked and killed.

Objects can be severely damaged.

- ▶ When turning or driving in reverse, the driver must act in such a way that he does not endanger other traffic participants.
- ▶ The driver may only drive in reverse or reset when persons or devices are **not** endangered. If this can **not** be ensured, then he must use a guide.
- ▶ An acoustical back up warning device will never replace the guide.
- ▶ Make sure that there are no persons or objects behind the vehicle when driving in reverse.
- ▶ Make sure that no personnel is injured or killed.
- ▶ Make sure that no objects are damaged.
- ▶ Driving in reverse is only permissible at slow driving speed (maneuvering speed).
- ▶ Adhere to the national regulations.

34.7 Parking the mobile crane

Make sure that the following prerequisites are met:

- The mobile crane is standing on load bearing, level and tractive ground.
- Parking brake is applied.



WARNING

Parking brake is **not** applied.

The mobile crane can roll off, death, property damage.

- ▶ Park the mobile crane exclusively with applied parking brake.
- ▶ Turn the ignition off and pull out the ignition key.
- ▶ Turn the battery master switch off and remove the switch cam.



WARNING

Downhill or uphill slope is too large.

The mobile crane can roll off, death, property damage.

- ▶ Park the mobile crane at an downhill or uphill slope of no more than maximum 18 %.

Under the following conditions the mobile crane must be additionally secured with wheel chocks to prevent it from rolling off:

- The mobile crane is parked on a slope or an incline.
- The mobile crane is defective, particularly when the brake system is defective.



WARNING

Wheel chocks incorrectly placed.

The mobile crane can roll off, death, property damage.

- ▶ So that the wheel chocks have an immediate braking action and hold the mobile crane in park position: Place all wheel chocks tightly directly under the wheel.
- ▶ Place all specified wheel chocks.
- ▶ All wheel chocks must counteract the downhill slope force.

If necessary:

- ▶ Place wheel chocks.

Fig.195219

LWE/LR 11350-005/19004-04-02/en

1 Safety guidelines

The ladders have been built according to the present level of technology and recognized safety technical regulations. Despite that, during their use dangers to life and physical condition of the user and / or third parties can occur.

The ladders may exclusively be used in a flawless technical condition and according to their missions as well as with constant awareness of safety and dangers.

Changes on the structure may exclusively be made with written approval of the manufacturer.

The ladders are exclusively designated for the entry and exit of personnel.

Any other use is not as intended and therefore prohibited.

The manufacturer is **not** liable for damages, which are caused by unintended use or improper usage.



WARNING

Danger of falling!

If the following safety guidelines are not observed, personnel can fall down and be killed or severely injured.

- ▶ Observe and adhere to the installation and safety guidelines for ladders.
- ▶ Observe and adhere to the safety signs on the ladders.
- ▶ Install and secure the ladders properly.
- ▶ Use ladders exclusively if you are healthy enough to do this.
- ▶ Climb up / down the ladder with the 3-point support.
- ▶ Use the rungs as handles.
- ▶ Step into the rungs deep enough.
- ▶ Do not use damaged ladders and replace them immediately.
- ▶ Repair the ladder exclusively through authorized service facilities.

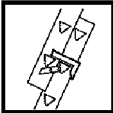
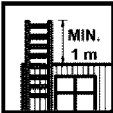


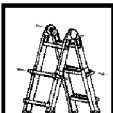
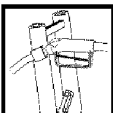
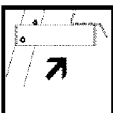
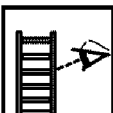


2 Safety signs





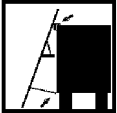

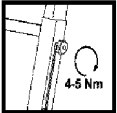









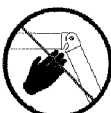

Note







- ▶ All safety signs on the ladders must be complete and always legible.
- ▶ Observe and adhere to the manufacturer's operating instructions.

Sign	Explanation
	Read the operating instructions.
	Maximum number of users on one ladder.
	Correct set up angle 65° to 75°.

Sign	Explanation
	Before use: Engage the lift out safety.
	Ladder overhang above the exit level.
	Secure the upper / lower end of the ladder.
	Before use: Tension the safety struts on stepladders.
	Before use: Engage the locking pin joints and pull pin locks.
	To open / close the tank cover and to ascent / descent: Insert the nozzle into the retainer.
	Fold the platform out before setting up the ladder.
	Before use: Check the ladder for damage.
	Check the legs of the ladder.
	Maximum load.

Sign	Explanation
	Do not use the three uppermost rungs of an extension ladders as rungs to stand on.
	Do not use the four uppermost rungs / steps of a stepladder without a platform to stand on.
	Do not use the two uppermost rungs of a stepladder with integrated extension ladder as rungs to stand on.
	If hinged ladders are used as stepladders: Spread the ladder legs to the stop.
	Place the upper placement angle flat. Hold the belt on tension.
	Hook the hook on the platform of the refueling ladder on the vehicle.
	Tighten the star knob on the beam extension tightly.
	Do not use a damaged ladder.
	Preclude any contaminants on the ground.
	Make sure the upper end of the ladder is placed correctly. Place the ladder only on safe surfaces.

Sign	Explanation
	Only one person may climb up / down on any accessible leg of the ladder.
	Avoid leaning out to the side. The body's center of gravity should be between the ladder beams.
	Face the ladder when climbing up / down the ladder.
	Use the ladder only with suitable shoes.
	Do not use a stepladder as a leaning (extension) ladder.
	Do not use the inner section of multi-part hinged ladders without outer sections as a stepladder.
	Crushing danger.
	Set the ladder up on horizontal and solid ground.
	Set the ladder up on solid ground.
	Use the ladder in the correct set up direction.

Sign	Explanation
	Do not carry along bulky objects or objects over 10 kg.
	It is not permitted to step off the ladder to the side.
	During transport, pay attention to danger due to power lines.
	Do not use the ladder as a walkway.
	Do not transport snow and ice shovels over the ladder. Use hooks!
	Danger due to shearing point.

3 Ladder inspection

Make sure that the following conditions are met:

- All ladders are inspected at least every 12 months. See Crane operating instructions, chapter 8.17.
- The inspection may be made exclusively by authorized and trained expert personnel.

4 User guidelines

Make sure that the following prerequisites are met before using the ladder:

- A risk evaluation had been made.
The national legal regulations have been taken into account.
- Use are able to use a ladder as far as your health is concerned.
- The ladder is suited for the respective application.
- The ladder is complete and not damaged (visual inspection).
- The ladder is free of contaminants, such as:
 - Ice
 - Snow

- Frost
- Wet paint
- Lubricants
- The legs of the ladders are not worn.
- Screws and connections have been checked for tight seating.
- The base is:
 - Level
 - Horizontal
 - Slip-resistant
 - Unmoveable

Before setting the ladder up:

- Secure the locking devices of the ladder.
- Tension the spreaders of the stepladder.
- Do **not** set up the ladder from above.
- Do **not** set the ladder on braces or steps.

When using the ladder:

- Make sure that no children are playing on the ladders.
- Set the ladder up in the correct set up angle.
- Subject the ladder with no more than maximum 150 kg.
- Use the ladder exclusively as described in section „Ladder access“.
- Do **not** use the ladder outside in strong wind.
- Do **not** subject the ladder excessively to loads in side assembly work.
- Face the ladder when climbing up or down the ladder.
- Step on the ladder with suitable shoes.
- Do not use the ladder as a walkway.
- Secure the ladder to prevent it from being knocked over inadvertently.
- For leaning (extension) ladders: Do not step on the uppermost three steps / rungs, in reference to the ladder placement point.
- For stepladders: Do not step on the uppermost two steps / rungs.
- For working on a ladder: Grip with one hand.
If this is not possible: Take additional safety measures, such as: Use a WORK POSITIONING SYSTEM (WPS).

For repair, maintenance and storage of a ladder:

- Have repairs and maintenance made by expert personnel according to the manufacturer's instructions.
- Store the ladders according to the manufacturer's instructions.

Before transporting the ladders:

- Lock and secure the ladders in their provided transport retainers.

5 Ladder access

Wearing the personal protection equipment to prevent falling and the ladder safeguard depend on the type of work, among others.

5.1 Ladder safeguards

The ladder can be secured to prevent it from sliding away to the side by:

- Restraint device, for example: Tether or side stops on structure
- Friction lock, for example: Rubber caps or plastic caps on the end of the ladder beam at direct placement on a surface

The ladder can be secured to prevent it from tipping to the rear by:

- the correct placement angle

5.2 3-point support

A 3-point support is ensured when:

- Two hands have a safe hold and one leg is standing safely.
- Two legs are standing safely and one hand has a safe hold.
- Two legs are standing safely in straddle position on a stepladder which can be accessed from both sides, on the third respective rungs / steps from the top. The user locks the ladder with the knees.
- Two legs are standing safely and at the same time, the body is leaned on higher rungs / steps of the leaning (extension) ladder. The center of gravity of the body must always be between the two ladder beams.
- A WORK POSITIONING SYSTEM (WPS) is used.

5.3 Light and / or heavy work

The following lists various light and heavy work

Examples for light work:

- Installing / removing retaining pins or spring retainers
- Fastening components, disengaging fastening equipment
- Pushing the transition aid out / in
- Establishing / disconnecting electrical or hydraulic connection between components
- Actuating the hand pump for the folding jib
- Reeving the auxiliary winch in / out
- Setting up / taking down foldable railings
- Carrying out maintenance and inspection work
- Refueling the crane chassis and / or crane superstructure

Examples for heavy work:

- Knocking the connector pins in / out
- Installing / removing the wind warning
- Reeving the hoist rope in / out
- Installing / removing the connector pin with assembly aid (hydraulic cylinder or mechanical assembly tool)
- Installing / removing the rope lock

5.4 Types of ladders

5.4.1 Stepladder

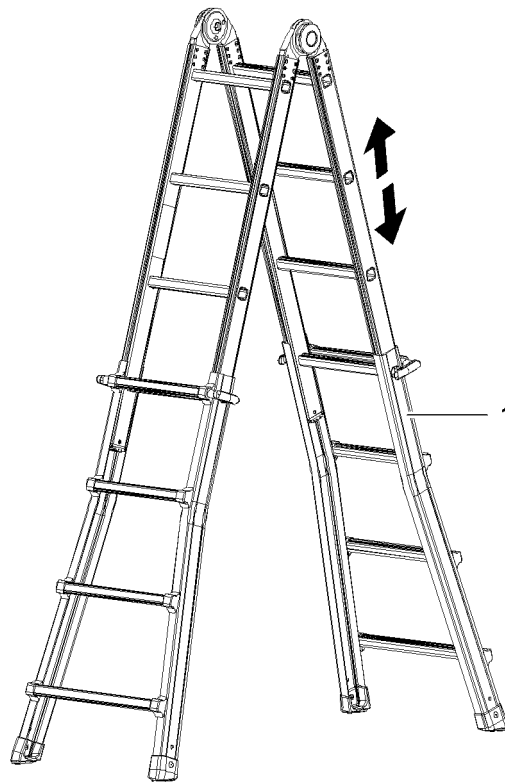


Fig.121175: Examples for stepladders



WARNING

Danger of falling when transitioning from a stepladder 1 to other components!
Personnel can fall down and be killed or severely injured.

- ▶ Do **not** transition from a stepladder 1 to other components.



WARNING

Danger of falling!
Personnel can fall down and be killed or severely injured.

- ▶ When using stepladders 1, adhere to the 3-point support.
- ▶ Adhere to the prerequisites and conditions for the use of stepladders 1.

Prerequisites for the use of stepladders 1:

- Make sure that the weight of the tool carried along is not more than 10 kg.

Access	Work
Maximum rise to the third rung / step from the top	Maximum rise to the third rung / step from the top
3-point support required	3-point support required
	Rise to 1 m: Personal protective equipment to prevent falling not required

Access	Work
	Rise above 1 m to 7 m Light work: Personal protective equipment to prevent falling not required
	Rise above 1 m to 7 m Heavy work: Personal protective equipment to prevent falling required

Conditions for access and work on stepladders 1

5.4.2 Leaning (extension) ladder

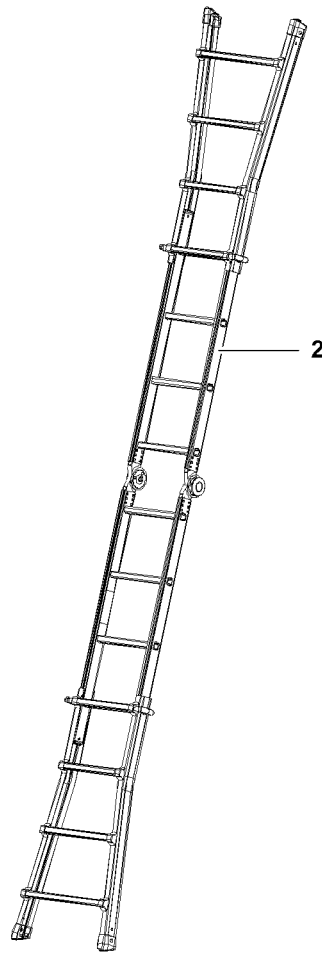


Fig.121176: Example for leaning (extension) ladders



WARNING

Danger of falling!

Personnel can fall down and be killed or severely injured.

- ▶ When using leaning (extension) ladders **2**, adhere to the 3-point support.
- ▶ Adhere to the prerequisites and conditions for the use of leaning (extension) ladders **2**.

Prerequisites for the use of leaning (extension) ladders **2**:

- Make sure that the leaning (extension) ladder **2** is positioned onto a level placement surface.

- Make sure that the leaning (extension) ladder **2** is placed in an incline angle of 65° to 75° (approx. 1:4) to the horizontal.
- Make sure that the ladder overhang when leaning it on components is selected in such a way that the leaning (extension) ladder **2** is safely placed when subjected to a load / flex due to ascending persons.
- Make sure that the weight of the tool carried along is not more than 10 kg.

Access	Work
Maximum rise to the fourth rung / step from the top, in reference to the placement point	Maximum rise to the fourth rung / step from the top, in reference to the placement point
3-point support required	3-point support required
	Rise to 1 m: Ladder safeguard not required Personal protective equipment to prevent falling not required
	Rise above 1 m to 7 m Light work: Ladder safeguard required Personal protective equipment to prevent falling not required
	Rise above 1 m to 7 m Heavy work: Ladder safeguard and protection to prevent it from tipping to the rear required Personal protective equipment to prevent falling required

Conditions for access and work on leaning (extension) ladders 2

5.4.3 Leaning (extension) ladder with transition

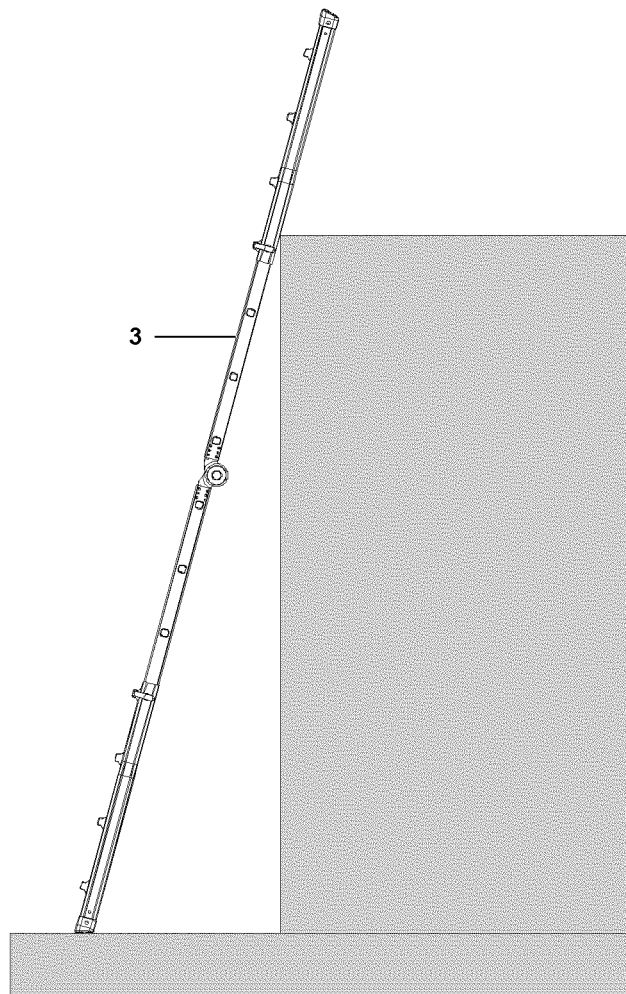


Fig.121177: Examples for leaning (extension) ladders with transition



WARNING

Danger of falling!

Personnel can fall down and be killed or severely injured.

- ▶ When transitioning, adhere to the 3-point support.
- ▶ Adhere to the prerequisites and conditions for the use of leaning (extension) ladders with transition **3**.

Prerequisites for the use of leaning (extension) ladders with transition **3**:

- Make sure that the leaning (extension) ladder with transition **3** is positioned onto a level placement surface.
- Make sure that the leaning (extension) ladder with transition **3** is placed in an incline angle of 65° to 75° (approx. 1:4) to the horizontal.
- Make sure, for transitioning to higher work locations, when no other safehold possibilities are available, that the ladders beams of the leaning (extension) ladder go past the placement location by at least 1 m.
- Make sure that the transition area is slip-resistant.
- Make sure that the ladder position can be recognized from above.
- Make sure that the ladder overhang when leaning it on components is selected in such a way that the leaning (extension) ladder is safely placed when subjected to a load / flex due to ascending persons.
- Make sure that the weight of the tool carried along is not more than 10 kg.

Access	Transition
Maximum rise to a rung / step below the placement edge	Maximum rise to a rung / step below the placement edge
3-point support required	3-point support required
Personal protective equipment to prevent falling not required	Personal protective equipment to prevent falling not required
	Rise to 1 m: Ladder safeguard not required
	Rise above 1 m to 7 m Ladder safeguard required

Conditions for access and transition to leaning (extension) ladders with transition 3

5.4.4 Vertical ladder with transition aid

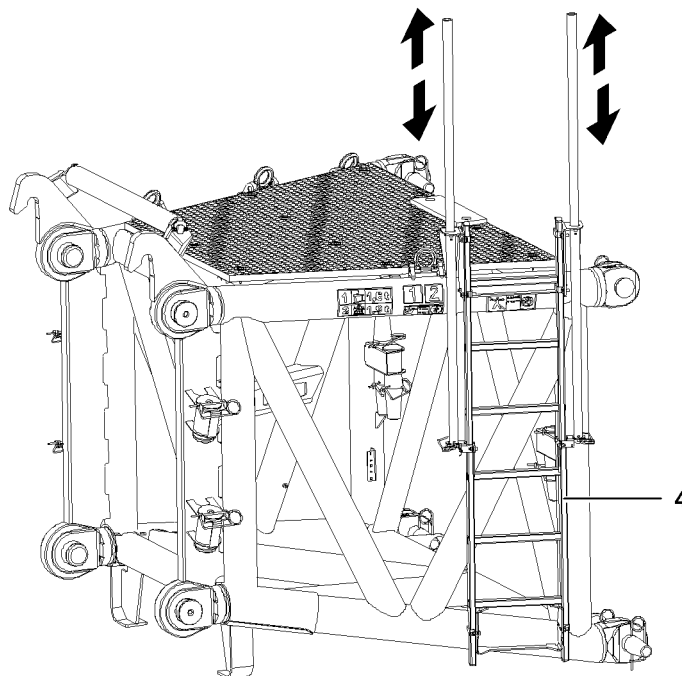


Fig.121178: Example for vertical ladder with transition aid



WARNING

Danger of falling!
Personnel can fall down and be killed or severely injured.

When using vertical ladders with transition aid 4:

- ▶ Adhere to the 3-point support.

Before transitioning:

- ▶ Hook the personal protective equipment to prevent falling on a suitable location (for example: uppermost rung, safety rope or separate hook point).
- ▶ Adhere to the prerequisites and conditions for the use of vertical ladders with transition aid 4.

Prerequisites for the use of vertical ladders with transition aid 4:

- Make sure, a centered grip reachable from the transition edge and a possibility to support oneself with the second hand is present for transitioning.
- Make sure that the transition area is slip-resistant.
- Make sure that the ladder position can be recognized from above.
- Make sure that the weight of the tool carried along is not more than 10 kg.

Access	Work
3-point support required	3-point support required
If necessary: use a WORK POSITIONING SYSTEM (WPS) in a suitable hook point	If necessary: use a WORK POSITIONING SYSTEM (WPS) in a suitable hook point

Conditions for access and work on vertical ladders with transition aid 4

Access	Transition
3-point support required	3-point support required
Rise to 5 m: Personal protective equipment to prevent falling not required	Rise to 1.8 m: without transition aid: Personal protective equipment to prevent falling not required
Rise above 5 m: Fall arrest system with moving along fall arrest device or back protection required	Rise above 1.8 m: without transition aid: Personal protective equipment to prevent falling required

Conditions for access and transition to vertical ladders with / without transition aid 4

5.4.5 Platform ladder

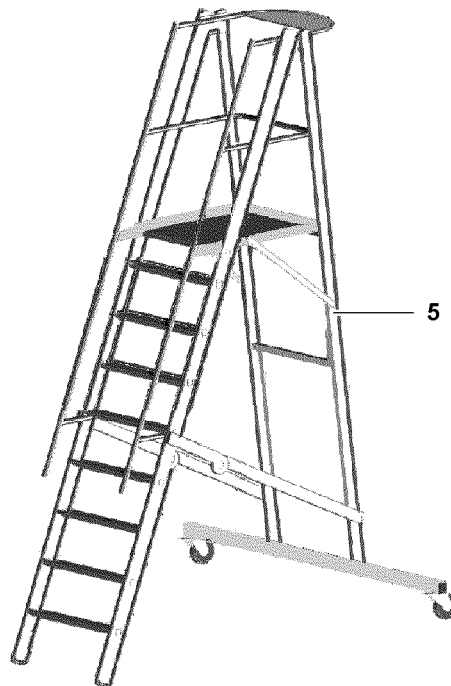


Fig.121179: Example for platform ladder

**WARNING**

Danger of falling when transitioning from a platform ladder **5** to other components!
Personnel can fall down and be killed or severely injured.

- ▶ Do **not** transition from a platform ladder **5** to other components.

**WARNING**

Danger of falling!
Personnel can fall down and be killed or severely injured.

For use of platform ladders **5**:

- ▶ Adhere to the 3-point support.
- ▶ Adhere to the prerequisite and conditions for the use of platform ladders **5**.

Prerequisite for the use of platform ladders **5**:

- Make sure that the weight of the tool carried along is not more than 10 kg.

Access	Working on the ladder	Working on the platform
Maximum rise to platform height	Maximum rise to platform height	Maximum height: Platform height
3-point support required	3-point support required	3-point support required
	Rise to 1 m: Personal protective equipment to prevent falling not required	
	Rise above 1 m to 7 m Light work: Personal protective equipment to prevent falling not required	Platform height Light work: Personal protective equipment to prevent falling not required
	Rise above 1 m to 7 m Heavy work: Personal protective equipment to prevent falling required	Platform height Heavy work: Personal protective equipment to prevent falling required

Conditions for access and work on platform ladders 5

Empty page!

LWE/LR 11350-005/19004-04-02/en

Fig.195219

LWE/LR 11350-005/19004-04-02/en

1 Signs

1.1 7725039 – Warning of high voltage



Fig.116269: Warning of high voltage



Note

► Only for certain countries.

1.2 772564008 – Swing range



Fig.116270: Swing range



Note

► Only for certain countries.

1.3 772580408 – Limitation of maximum travel speed



Fig.106035: Limitation of maximum travel speed



Note

- ▶ Only for certain countries.

1.4 Notice sign regarding vehicle height

	Notice sign regarding vehicle height
970610408	
970629508	
970596108	
970608708	
979459108	

Notice sign regarding vehicle height



Note

- ▶ Only for certain countries.
- ▶ Vehicle height x.x m (x.x ft)

1.5 Note for assembly aid

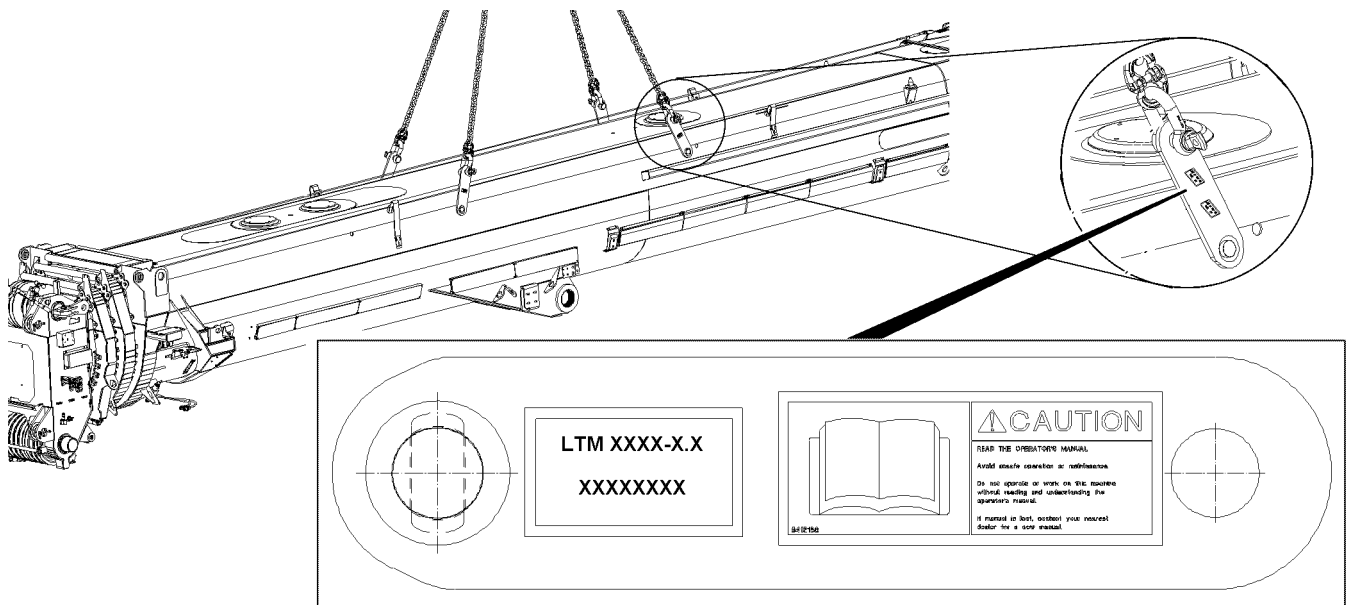


Fig.122741

Id. No.	Mobile crane
966713608	LTM 1750-9.1
968483508	LTM 1500-8.1
962961708	LTM 11200-9.1, LTM 1400-7.1, LTM 1350-6.1, LTM 1300-6.2,
	LTM 1250-6.1, LTM 1250-5.1, LTM 1220-5.2, LTM 1200-5.1,
	LTM 1160-5.2, LTM 1160-5.1, LTM 1130-5.1, LTM 1100-4.2,
	LTM 1095-5.1, LTM 1090-4.1,
	LTR 11200, LTR 1220, LTR 1100

Note for assembly aid



WARNING

Incorrect assembly aids!
Falling telescopic boom, death, property damage.

To assemble and disassemble the telescopic boom:

- ▶ Use solely the assembly aid which belong to the crane.

1.6 9412158 – Read operating instructions

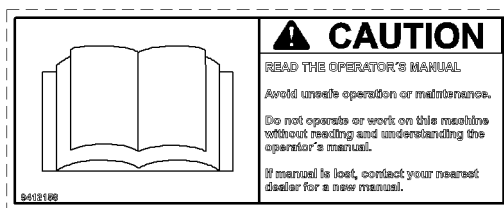


Fig.106048: Read the operating instructions

LWE/LR 11350-005/19004-04-02/en

**WARNING**

Danger of accident due to non-observance of operating instructions!

If the operating instructions are not read or understood, then this can lead to unsafe operation and improper maintenance.

Accidents with bodily injuries and property damage can result.

- ▶ The crane may only be operated if the contents of the operating instructions have been read and understood.
- ▶ Replace lost or incomplete operating instructions immediately.

1.7 97004046 – Safety harness, maximum two persons



Fig.115119: Safety harness, maximum two persons

**DANGER**

Danger of accidents due to overloaded safety ropes!

If safety ropes are used by more than two persons, then the safety ropes can be overloaded and fail in case of an accident.

Personnel can be severely injured or killed.

- ▶ Safety ropes are designed to secure a maximum of two persons against falling, one on the right and one on the left.

1.8 97017585 – Falling telescopic boom during disassembly / assembly

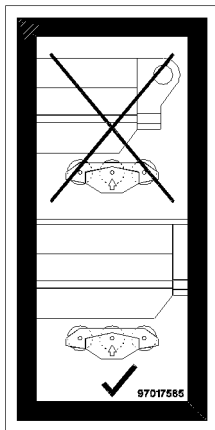


Fig.118467: Falling telescopic boom during disassembly / assembly

**WARNING**

Fatal accidents due to falling telescopic boom!

- ▶ Make sure that all pulleys are touching and carrying during the assembly and disassembly of the telescopic boom.

1.9 97018351 – Falling telescopic boom during transport!

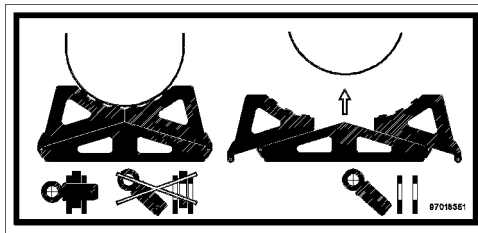


Fig.118466: Falling telescopic boom during transport



WARNING

Fatal accidents due to falling telescopic boom during transport!

- ▶ Make sure that the transport bracket on the left and right is pinned and secured.

1.10 97018564 – Falling telescopic boom during transport!

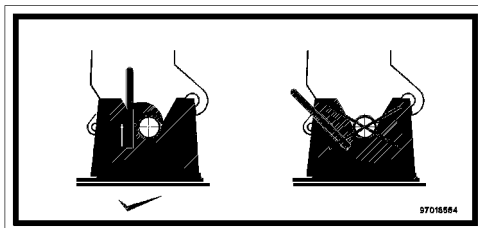


Fig.118533: Falling telescopic boom during transport



WARNING

Fatal accidents due to falling telescopic boom during transport!

- ▶ Make sure that the telescopic boom is locked in the head receptacle.

1.11 97027147 – Overloading of combi box is prohibited

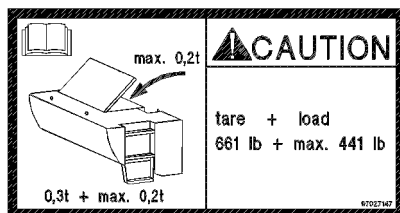


Fig.113829: Overloading of combi box is prohibited



WARNING

Danger of overload!

If the combi box is subjected to a load of more than 0.2 t, the combi box can be damaged!

- ▶ The own weight of the combi box is 0.3 t and may be loaded with a maximum payload of 0.2 t.
- ▶ Do not subject the combi box to a weight of more than 0.2 t.

1.12 97036733 – Fastening point

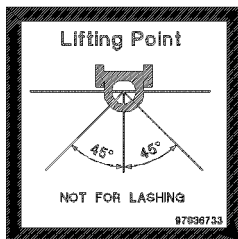


Fig.121184: Fastening point



WARNING

Damage of fastening points!

- ▶ Use the fastening point solely to lift the load.
- ▶ Observe the maximum permissible fastening angle.



Note

- ▶ Notice sign Fastening points and fastening angle.

1.13 Suspended load fastening point

Suspended load fastening point	
97038434	
97037482	
97039068	



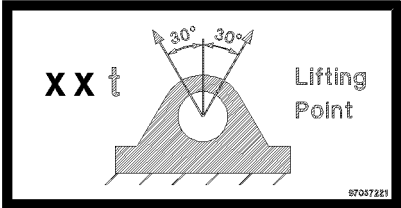
WARNING

Mortal danger if the load falls down!

If the maximum suspended load or the maximum fastening angle is exceeded, the load can fall down and kill personnel.

- ▶ Observe the maximum permissible suspended load and fastening angle.

1.14 Suspended load fastening point

Suspended load fastening point	
97037221	
97037223	



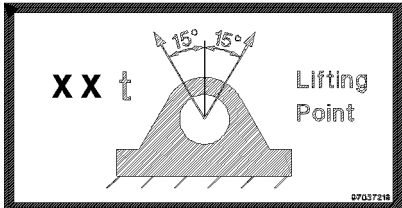
WARNING

Mortal danger if the load falls down!

If the maximum suspended load or the maximum fastening angle is exceeded, the load can fall down and kill personnel.

- ▶ Observe the maximum permissible suspended load and fastening angle.

1.15 Suspended load fastening point

Suspended load fastening point	
97037219	



WARNING

Mortal danger if the load falls down!

If the maximum suspended load or the maximum fastening angle is exceeded, the load can fall down and kill personnel.

- ▶ Observe the maximum permissible suspended load and fastening angle.

LWE/LR 11350-005/19004-04-02/en

1.16 97037625 – Suspended load Fastening points / rigging points

LIFTING AND LASHING			
Type III	Lashing Capacity		
	LC-N [daN]	LC-O [daN]	
4	4 000	2 800	
6,7	6 700	4 690	
10	10 000	7 000	
16	16 000	11 200	
31,5	31 500	22 050	

Fig.119988: Fastening points / rigging points



Note

► Notice sign for fastening points and rigging points.

1.17 97036735 – Fastening point for lattice section

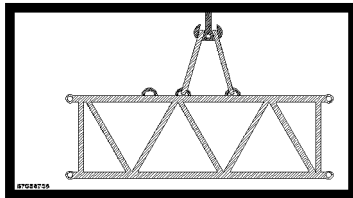


Fig.116266: Fastening point for lattice section



Note

► Notice sign for fastening points for lattice section.

1.18 97036736 – Fastening point for lattice sections

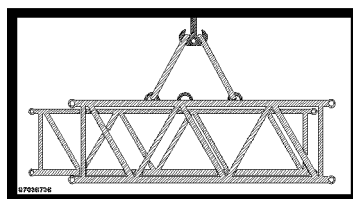


Fig.116267: Fastening point for lattice section



Note

► Notice sign for fastening points for lattice sections.

1.19 97038442 – Fastening point for lattice section

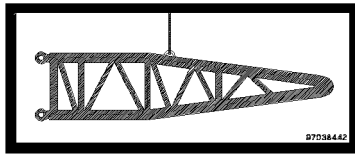


Fig.116288: Fastening point for lattice section



Note

► Notice sign for fastening point for lattice section.

1.20 97038452 – Fastening point for lattice sections

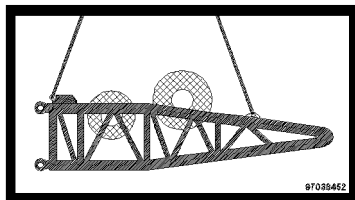


Fig.116289: Fastening point for lattice section



Note

► Notice sign for fastening points for lattice sections.

1.21 97038454 – Fastening point for lattice sections

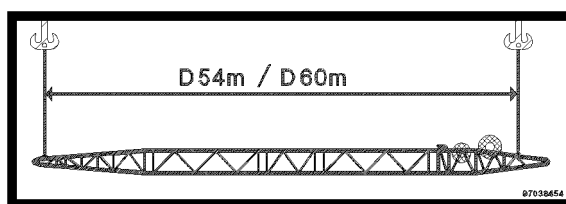


Fig.116290: Fastening point for lattice section



Note

► Notice sign for fastening points for lattice sections.

1.22 97037871 – Fastening points for lattice sections

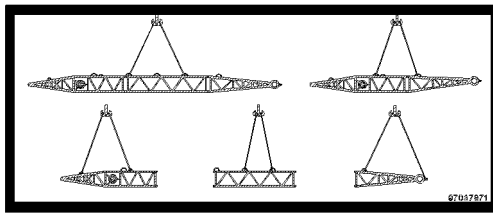


Fig.116292: Fastening points Lattice sections



Note

► Notice sign for fastening points for lattice sections.

1.23 97057767 – Fastening points for lattice sections

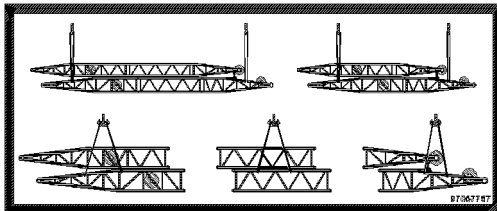


Fig.121181: Fastening points Lattice sections



Note

► Notice sign for fastening points for lattice sections.

1.24 97057524 – Fastening point for assembly of lattice sections

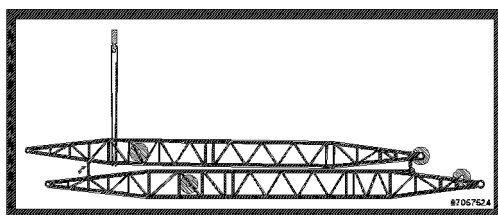


Fig.121182: Fastening point for assembly of lattice sections



Note

► Notice sign Fastening points for assembly of lattice sections.

1.25 97057097 – Fastening point to turn the component

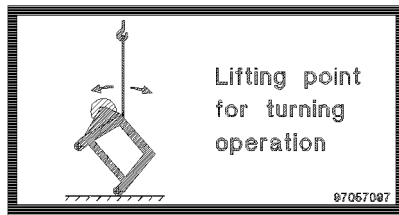


Fig.119987: Fastening point to turn the component



Note

► Notice sign for fastening point to turn the component.

1.26 97039035 – Suspended load Assembly unit

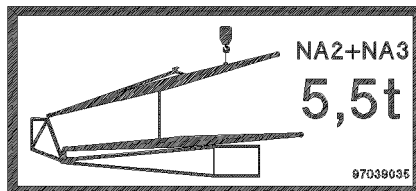


Fig.117348: Suspended load Assembly unit



Note

► Notice the suspended load.

1.27 97003109 – Access of step ladder



Fig.109032: Access of step ladder



WARNING

Danger of falling!

If the step ladder is accessed before it is completely folded out, the assembly personnel can fall and be fatally injured.

► Before stepping on the step ladder, fold the lowest step out.

1.28 97003110 – Fold the step ladder in and out

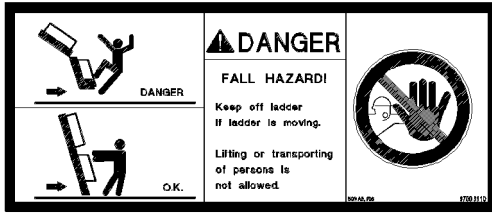


Fig.109033: Fold the step ladder in and out



WARNING

Danger of falling!

When folding the step ladder in or out or when driving the crane, no persons may remain on the step ladder or within the entire danger zone! Persons can fall from the step ladder or be killed as the step ladder folds in or out.

- ▶ Fold the step ladder in and out only if there are no persons within the danger zone.

1.29 97006167 – Identification of support base

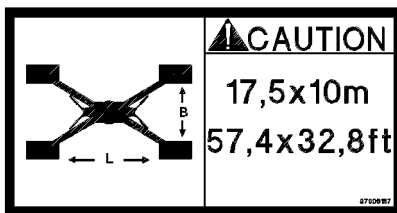


Fig.116285: Identification of support base



Note

- ▶ The support beams are swung out / extended to a support base of 17.50 m x 10.0 m ; (57.4 ft x 32.8 ft).

1.30 97006167 – Identification of support base

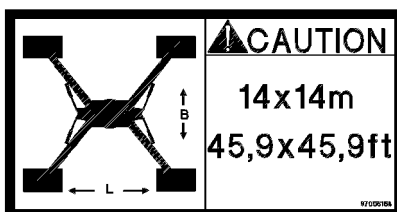


Fig.116286: Identification of support base



Note

- ▶ The support beams are swung out / extended to a support base of 14.0 m x 14.0 m ; (45.9 ft x 45.9 ft).

1.31 97008514 – Warning of head injuries



Fig.110550: Warning of head injuries



WARNING

Head injuries!

Due to falling parts, personnel can be killed or severely injured.
Hitting the head can cause injuries.

- ▶ Protect your head with a hard hat.
- ▶ Always remain aware of your surroundings and behave in a safe manner.

1.32 97009799 – Data logger

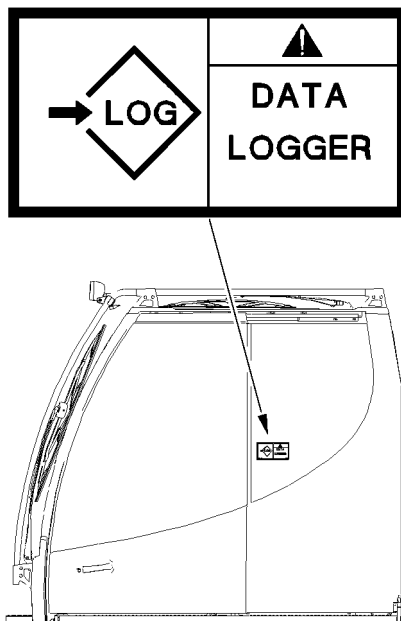


Fig.116261: Data logger



Note

- ▶ Notice sign for data logger.

1.33 97012949 – Maximum load

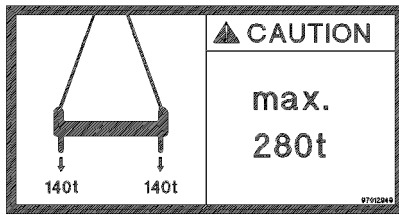


Fig.116263: Maximum load



CAUTION

Property damage due to overload!
If the cross bar is subjected to a higher load than permissible, damage can occur.

- ▶ Do not overload the cross bar.

1.34 97012095 – Maximum load

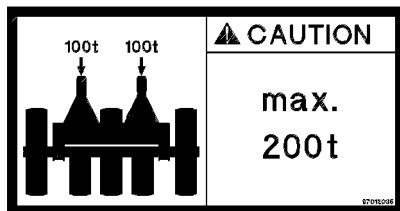


Fig.116265: Maximum load



CAUTION

Property damage due to overload!
If the pulley cart is subjected to a higher load than permissible, damage can occur.

- ▶ Do not overload the pulley cart.

1.35 97011689 – Warning of crushing danger

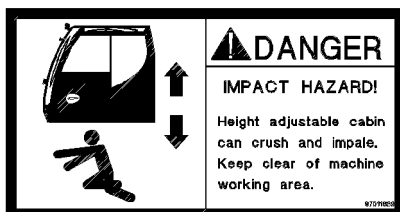


Fig.111047: Warning of crushing danger



DANGER

Danger of fatal injury!

- ▶ It is prohibited to remain within the danger zone of the cab.
- ▶ Keep away from the movement range of the cab.

1.36 97011690 – Overload of cab is prohibited

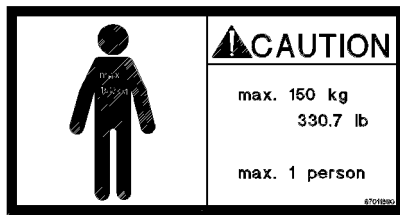


Fig.111048: Overload of cab is prohibited



WARNING

Danger of overload!

If the cab is subjected to a load of more than 150 kg then the cab or the telescoping arm can be damaged!

- ▶ Only one person at a time may remain in the cab!
- ▶ Do not subject the cab to a weight of more than 150 kg.

1.37 97016304 – Notice sign for refueling

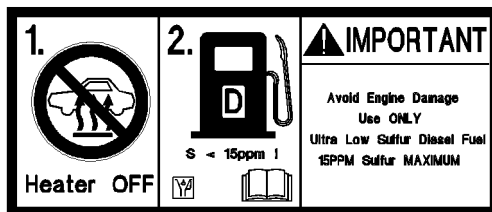


Fig.113766: Notice sign for refueling



WARNING

Danger of fire and explosion!

- ▶ Turn the auxiliary heater* off approx. 3 min before refueling the fuel tank.
- ▶ Before refueling the fuel tank, turn the engine off.

NOTICE

Property damage to the engine!

If incorrect fuel is added, the engine can be severely damaged.

- ▶ Refuel with fuel according to the Engine manufacturer's operating instructions.

1.38 97016392 – Crushing danger for feet



Fig.112474: Crushing danger for feet

**WARNING**

Crushing danger for feet!
Feet can be caught or crushed.
► Keep feet away.

1.39 97012737 – Danger of accident

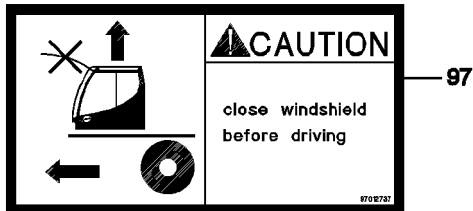


Fig.111748: Danger of accident

**WARNING**

Danger of accident!
► For driving, the windshield must be closed.

1.40 97023034 – Disassembly

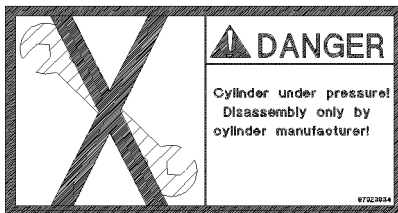


Fig.116264: Disassembly

**DANGER**

Mortal danger due to repair!
Cylinder is pressurized.
Disassembly of the cylinder can result in death or serious injuries.
► The cylinder may only be removed by the manufacturer.

1.41 97036732 – Access via 3-point support

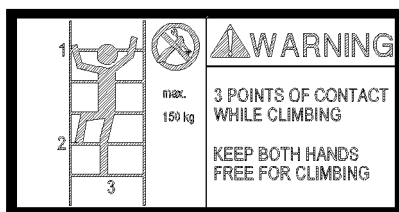


Fig.115172: Access via 3-point support



DANGER

Access via 3-point support!

While climbing up and down via a ladder, the assembly personnel can fall down and be injured severely.

- ▶ When climbing up and down, a 3-point support must be ensured.
- ▶ Use ladders only up to a weight of 150 kg.
- ▶ When climbing up and down, hands must be free.

A 3-point support is ensured when:

- two legs are standing safely and one hand has a safe hold.
- two hands have a safe hold and one leg is standing safely.

1.42 97003112 – Maximum suspended load

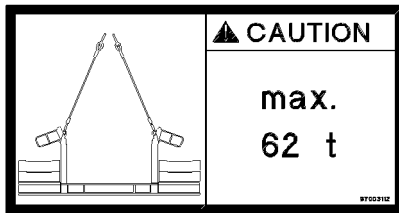


Fig.116282: Maximum suspended load



WARNING

Maximum suspended load!

If the maximum suspended load of 62 t is exceeded, the load can fall down and kill personnel.

- ▶ Observe the maximum permissible suspended load.

1.43 97036917 – Maximum suspended load

	Suspended load fastening point
97047630	
97036917	
97047630	



WARNING

Mortal danger if the load falls down!

If the maximum suspended load is exceeded, the load can fall down and kill personnel.

- ▶ Observe the maximum permissible suspended load.

LWE/LR 11350-005/19004-04-02/en

1.44 97037383 – Notice sign for urea

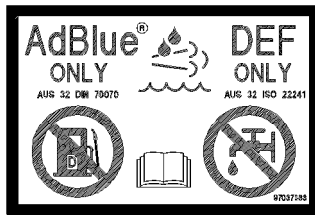


Fig.115173: Notice sign for urea



CAUTION

Property damage due to incorrect service items!

When refilling urea and the urea which is specified by the engine manufacturer is not used, then damage can occur.

- ▶ Refill **exclusively** urea.
- ▶ See engine manufacturer's operating instructions.

1.45 97037952 – Warning of fatal electric shock

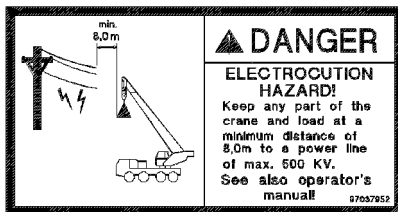


Fig.116280: Warning of fatal electric shock



DANGER

Danger of fatal injury due to electric shock!

If the boom or the hoist rope is under electric current, then death or severe injuries can occur if anyone touches the crane, the vehicle or the load.

- ▶ Keep a minimum distance of 8.0 m to current carrying parts.

1.46 97042730 – Falling luffing cylinder

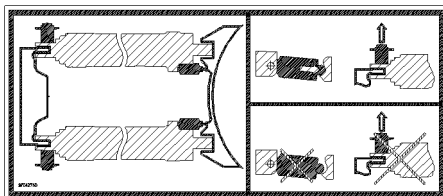


Fig.118465: Falling luffing cylinder



WARNING

Mortal danger if the luffing cylinders fall down!

- ▶ Make sure, before unpinning the luffing cylinder, that the erection cylinders are placed on both luffing cylinders.

1.47 97047810 – Pin brackets

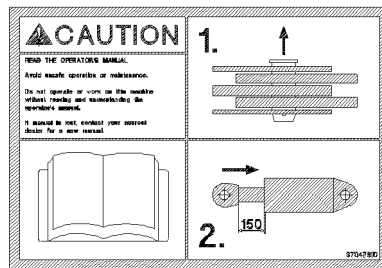


Fig.121709: Pin brackets

NOTICE

Damage of brackets due to collision!

- ▶ Make sure, before pinning and unpinning, that the hydraulic cylinder is set to a distance of 150 mm.

1.48 97042797 – Warning of overload of components

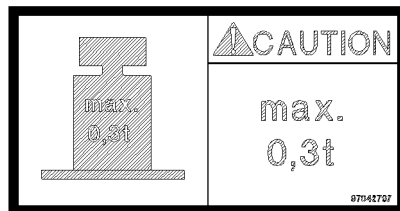


Fig.117347: Warning of overload of components



DANGER

Danger of falling due to overload!

If a component, such as a sliding beam platform, is subjected to a weight of more than 0.3 t , then the sliding beam platform can break.

Personnel can fall down and be severely injured or killed.

- ▶ Subject the component (sliding beam platform) to no more than maximum 0.3 t.

1.49 97041305 – Warning of overload of components

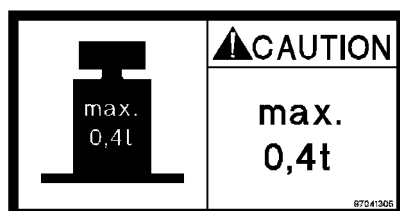


Fig.116792: Warning of overload of components



DANGER

Danger of falling due to overload!

If a component, such as a sliding beam platform, is subjected to a weight of more than 0.4 t , then the sliding beam platform can break.

Personnel can fall down and be severely injured or killed.

- ▶ Subject the component (sliding beam platform) to no more than maximum 0.4 t.

1.50 97070905 – Removing the auxiliary jib (boom nose)

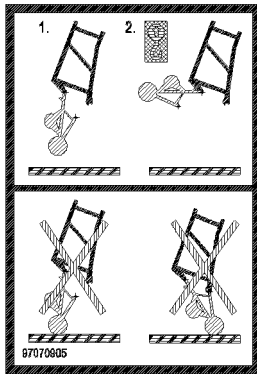


Fig.122645: Remove the auxiliary jib (boom nose)

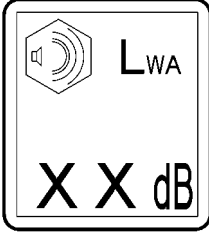
NOTICE

Property damage

Before placing the N-head down:

- ▶ Remove the auxiliary jib (boom nose).

1.51 Warranted maximum sound power level

	Notice sign for Warranted maximum sound power level
975809508	 <p style="text-align: center;"><i>Maximum sound power level</i></p>
971693308	
971693408	
971693508	
971693608	

1.52 977055908 – Fastening point for swingable sliding beam

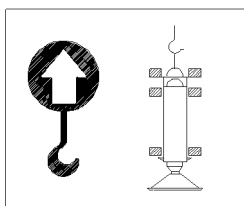


Fig.106894: Fastening point for swingable sliding beam

1.53 971494208 – Limitation of maximum travel speed

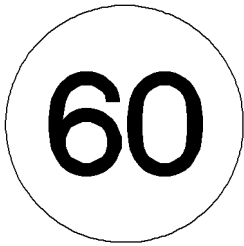


Fig.106034: Limitation of maximum travel speed



Note

► Only for certain countries.

1.54 971539808 – Warning notice for unpinning the auxiliary boom on the pulley head

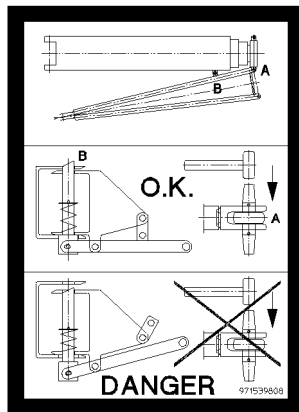


Fig.106040: Warning notice for unpinning the auxiliary boom on the pulley head



DANGER

Danger of fatal injury!

If the auxiliary boom is not locked correctly to the pivot section, it can fall down. Personnel can be severely injured or killed.

► Unpinning the auxiliary boom on the pulley head is prohibited.

1.55 971539908 – Warning notice for unlocking the auxiliary boom

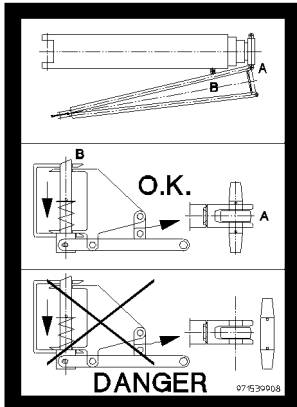


Fig.106041: Warning notice for unlocking the auxiliary boom



DANGER

Danger of fatal injury!

If the auxiliary boom is not locked correctly to the pulley head, it can fall down. Personnel can be severely injured or killed.

- ▶ Unpinning the auxiliary boom on the pivot section is prohibited.

1.56 978673908 – Warning of suspended load

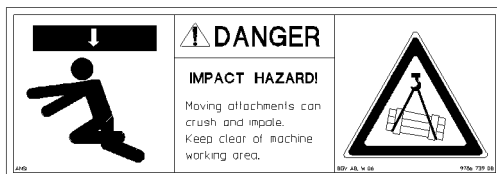


Fig.106026: Warning of suspended load



DANGER

Danger of fatal injury under suspended load!

- ▶ Standing under a suspended load is prohibited.
- ▶ Keep away from the working range of the machine.

1.57 978674008 – Access for unauthorized personnel prohibited



Fig.106037: Access for unauthorized personnel prohibited

**DANGER**

Danger of fatal injury!

If the crane or the working area is accessed by unauthorized personnel, life threatening injuries can occur as a result.

- ▶ It is prohibited for unauthorized personnel to enter the crane or the working area.

1.58 97039753 – Danger of stumbling

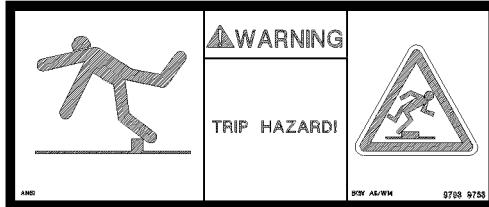


Fig.117346: Danger of stumbling

**WARNING**

Danger of stumbling!

- ▶ Move carefully.

1.59 978674108 – Warning of crushing danger

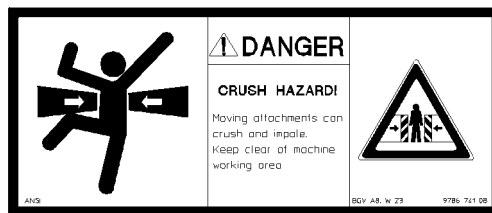


Fig.106027: Danger of crushing

**DANGER**

Mortal danger when remaining in areas with crushing danger!

- ▶ It is prohibited for anyone to remain in areas where there is a crushing danger.
- ▶ Keep away from the working range of the machine.

1.60 97016911 – Risk of collision

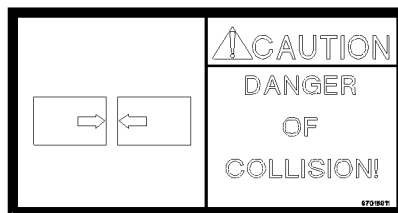


Fig.117344: Risk of collision

NOTICE

Danger of collision!

- ▶ Avoid a collision.

1.61 978674308 – Radio remote control

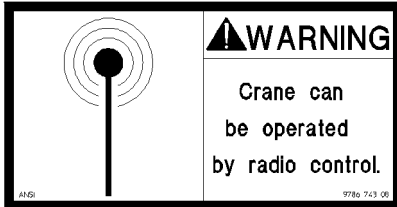


Fig.106047: Radio remote control

**WARNING**

Danger of injury due to crane operation with radio remote control!

- ▶ The crane can be operated with radio remote control!
- ▶ During crane operation, it is prohibited for anyone to remain in the danger zone!

1.62 978674408 – Danger of burning hands



Fig.106028: Danger of burning hands

**WARNING**

Danger of burns when touching hot surfaces!

- ▶ Do not touch hot surfaces.

1.63 978674508 – Warning of rotating parts

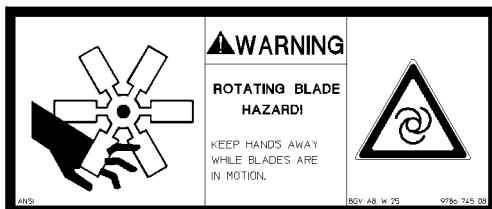


Fig.106029: Warning of rotating parts

**WARNING**

Rotating parts!

The rotating fan blade can cause finger and hand injuries.

- ▶ Keep your hands away from the rotating fan blade.

1.64 978674608 - Crushing danger for hands



Fig.106030: Crushing danger for hands



WARNING

Danger of injuries for hands!
Hands can be caught, trapped or crushed within the danger zone.
► Keep hands away from the danger zone!

1.65 978674808 – Personal protective equipment



Fig.123900: Personal protective equipment



DANGER

Danger of falling!
► Use the personal protective equipment.

1.66 978674908 – Walking on the area is prohibited



Fig.106038: Walking on the area is prohibited



WARNING

Danger of accident!
If the prohibited area is accessed, accidents can occur.
Personnel can be severely injured or killed.
► Do not access the prohibited area.

1.67 978675008 – Access prohibited



Fig.106039: Access prohibited



WARNING

Danger of falling!

If the crane is accessed by unauthorized personnel, life threatening injuries can occur.

- ▶ Do not get on the crane.

1.68 978687408 – Rigging point



Fig.112475: Rigging point



WARNING

Rigging point!

- ▶ Use the rigging point **solely** for rigging.
- ▶ Lifting on the rigging point is prohibited.

1.69 97036734 – Rigging point

Type [t]	Lashing Capacity	
	LC-N [daN]	LC-Q [daN]
4	4 000	2 800
6,7	6 700	4 690
10	10 000	7 000
18	18 000	11 200
31,5	31 500	22 050

Fig.116287: Rigging point



WARNING

Rigging point!

- ▶ Use the rigging point **solely** for rigging.
- ▶ Lifting on the rigging point is **prohibited**.

1.70 978867108 – Warning of fatal electric shock

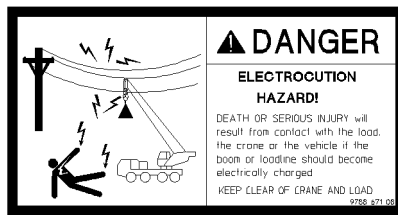


Fig.106814: Warning of fatal electric shock



DANGER

Danger of fatal injury due to electric shock!

If the boom or the hoist rope is under electric current, then death or severe injuries can occur if anyone touches the crane, the vehicle or the load.

► Keep away from the crane and the load.

1.71 979383308 – Notice sign for oil change

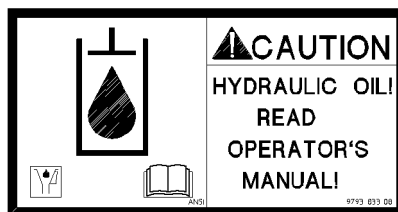


Fig.113827: Notice sign for oil change



CAUTION

Property damage through oil change!

If the oil specified in the operating instructions is not used during the oil change, it can lead to damage.

► See Crane operating instructions, chapter 7.07.

1.72 979561108 – Counterweight

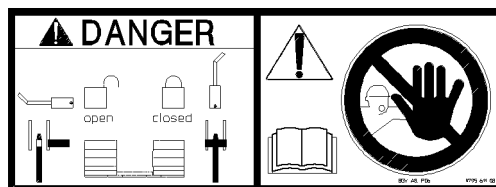


Fig.109026: Counterweight



WARNING

Counterweight can fall down!

If the auxiliary crane is removed on the counterweight before the counterweight is locked on both sides with the turntable, then the counterweight will fall down and can fatally injure assembly personnel.

► Do not remove the auxiliary crane until the counterweight is locked and secured on both sides with the turntable. See Crane operating instructions, chapter 4.07.

1.73 97001802 – Falling platform

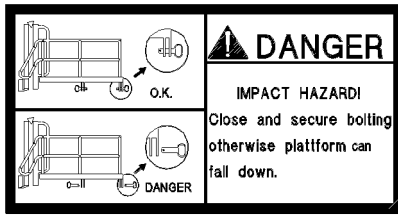


Fig.117345: Falling platform



WARNING

The platform can fall down!

- ▶ Pin and secure the platform in assembly / disassembly position.

1.74 973974408 - Transport weights of the components

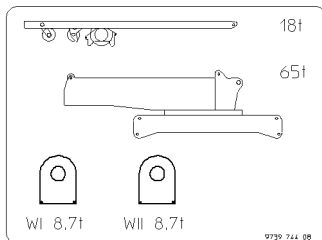


Fig.112440: Transport weights of components

1.75 973974608 - Transport weights of the components

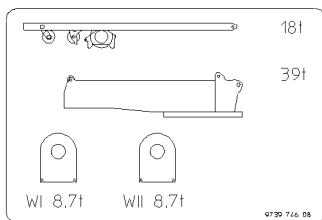


Fig.112441: Transport weights of components

1.76 97011336 - Transport weights of the components

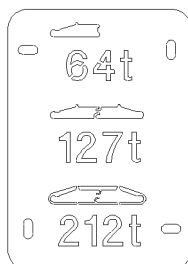
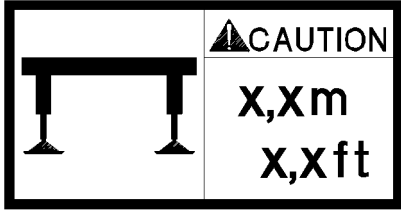


Fig.116271: Transport weights of components

1.77 Identification of sliding beam

	Identification of sliding beam
978675108	 <p style="text-align: center;"><i>Identification of sliding beam</i></p>
978675208	
978772808	
978772908	
978809308	
978809408	
978809508	
978818408	
978818508	
978875908	
978902608	
978903108	
97029203	
978903208	
979126008	
979126108	
979210508	
979210608	
979210608	
979210708	
979309108	
979309208	
97019140	
97003224	
979410808	

Identification of sliding beam

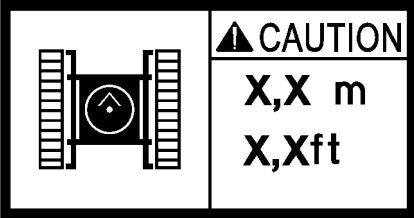


Note

▶ Extend the sliding beams to a support width of X.X m (X.X ft).

LWE/LR 11350-005/19004-04-02/en

1.78 Identification Track width retracted

Identification Track width retracted	
97009840	 <p style="text-align: center;"><i>Identification of track width</i></p>
97009841	
97017044	
97017045	
97017046	

Identification of track width



Note

► Track width retracted to x.xx m (x.x ft)

1.79 976624808 – Fasten the load

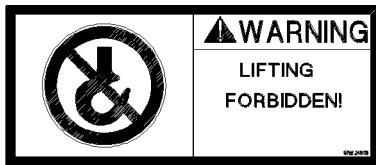


Fig.116283: Fastening the load



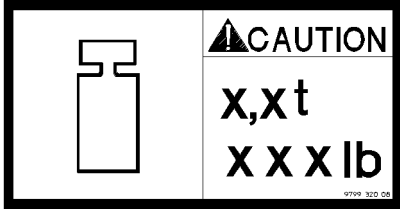
WARNING

Fastening the load is prohibited!

If the load is lifted on this point, the load can fall down and kill personnel.

► Lifting the load on unmarked locations is prohibited.

1.80 Notice Weight sliding beams

Weight of sliding beams	
979932008	 <p style="text-align: center;"><i>Weight of sliding beams</i></p>
979932108	
979932708	
979932808	



Note

► Pay attention to the weight of the sliding beams.

1.81 97047566 – Center of gravity Counterweight

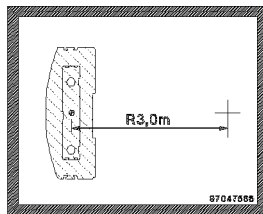


Fig.118491: Notice sign: Distance between center of gravity of counterweight and center of rotation



Note

► Noted on this notice sign is the distance between the center of rotation and the center of gravity of the counterweight.

1.82 97047566 – Center of gravity Counterweight

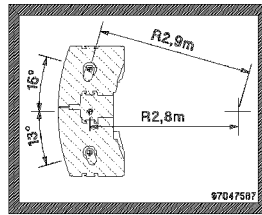


Fig.118492: Notice sign: Distance between center of gravity of counterweight and center of rotation



Note

- Noted on this notice sign is the distance between the center of rotation and the center of gravity of the counterweight.

1.83 97047566 – Center of gravity Counterweight

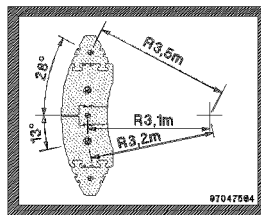


Fig.118493: Notice sign: Distance between center of gravity of counterweight and center of rotation



Note

- Noted on this notice sign is the distance between the center of rotation and the center of gravity of the counterweight.

1.84 97047566 – Center of gravity Counterweight

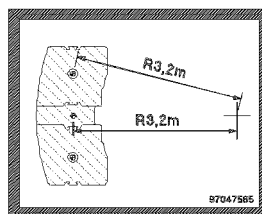


Fig.118494: Notice sign: Distance between center of gravity of counterweight and center of rotation

**Note**

- ▶ Noted on this notice sign is the distance between the center of rotation and the center of gravity of the counterweight.

1.85 97047566 – Center of gravity Counterweight

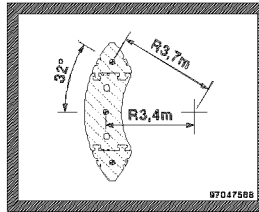


Fig.118495: Notice sign: Distance between center of gravity of counterweight and center of rotation

**Note**

- ▶ Noted on this notice sign is the distance between the center of rotation and the center of gravity of the counterweight.

1.86 97047566 – Center of gravity Counterweight

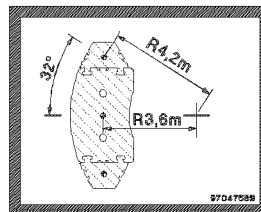


Fig.118496: Notice sign: Distance between center of gravity of counterweight and center of rotation

**Note**

- ▶ Noted on this notice sign is the distance between the center of rotation and the center of gravity of the counterweight.

Fig.195219

LWE/LR 11350-005/19004-04-02/en

1 Identifications on the hook block or load hooks

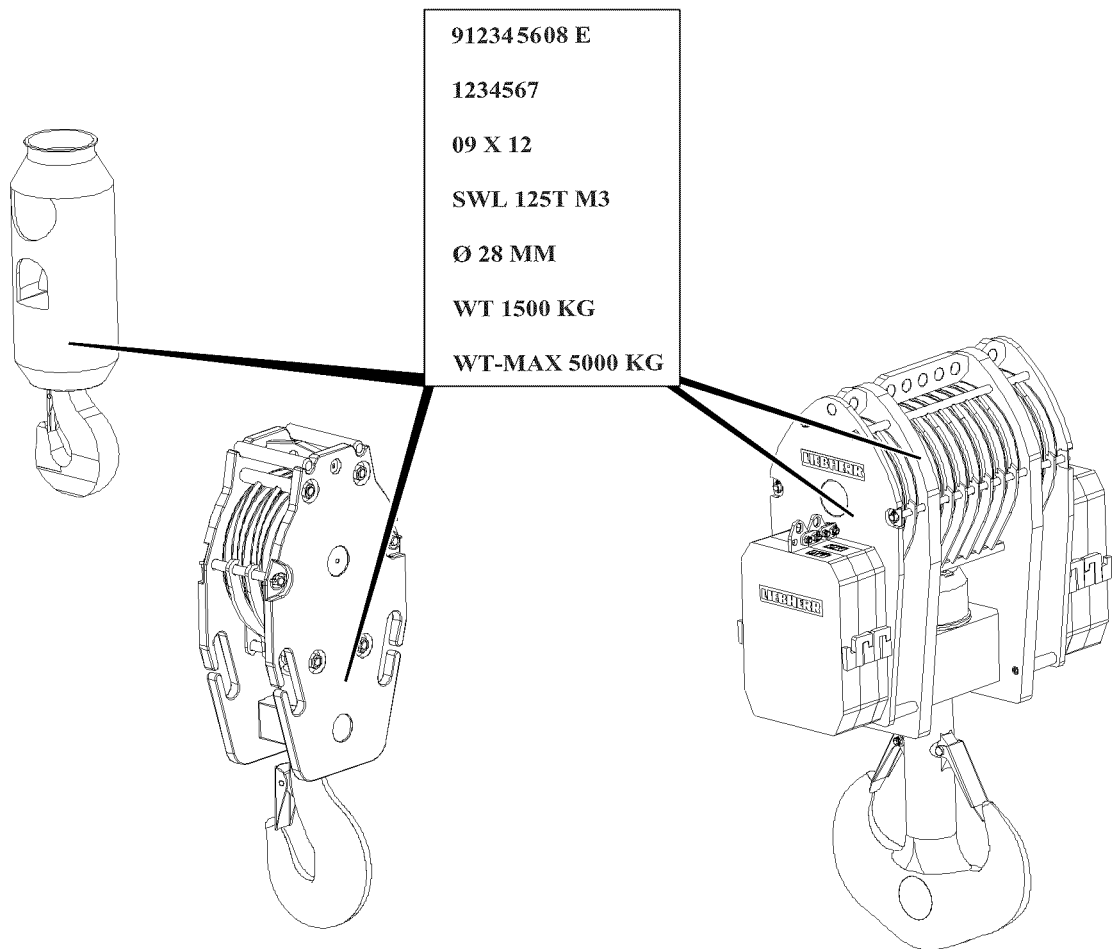


Fig.118509



Note

- ▶ For the load hooks and hook blocks approved for this crane type refer to the load chart.
- ▶ The hook blocks shown are examples only and can deviate from the existing hook block.

Punch mark area	Explanation
912345608 E	Liebherr Id. No. „E = entschärft (deburred)“
123456	Series or factory test number
09 X 12	Month of construction / supplier marks / year of construction
SWL 125T M3	SWL (Safe Working Load) = Load carrying capacity for power train group M3
Ø 28 mm	Hoist rope diameter
WT 1500 Kg	WT (Weight Tara) = Own weight (without auxiliary weights)

Punch mark area	Explanation
WT-MAX 5000 Kg	WT-Max = Maximum permissible own weight of lower pulley block and total number of progressively installed auxiliary weights
	Limits the number of installed auxiliary weights
	Determination via addition of assembled own weights (number of auxiliary weights + hook block)

Identifications on the hook block or load hooks

2 Identifications on single hook or double hook

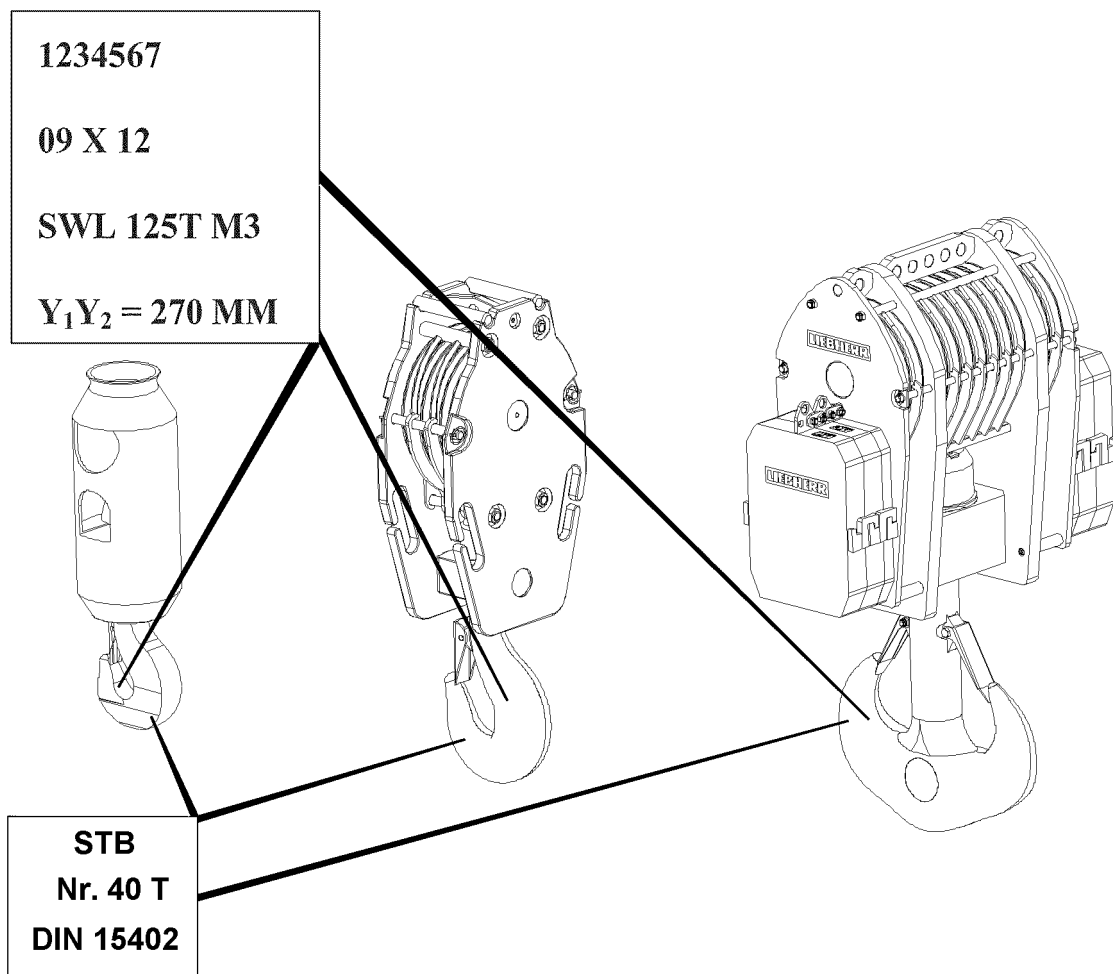


Fig.118510

Punch mark area	Explanation
STB	Hook manufacturer
40-T	Hook number + strength class according to DIN 15 400
DIN	Hook shape according to DIN 15 401 /DIN 15 402
123456	Series or factory test number
09 X 12	Month of construction / supplier marks / year of construction

Punch mark area	Explanation
SWL 125T M3	SWL (Safe Working Load) = Load carrying capacity for power train group M3
Y1Y2 = 270 mm	Dimension Y or dimension Y1 and dimension Y2 according to DIN (= Test dimensions for recurrent tests)

Identifications on single hook or double hook

3 Identifications on auxiliary weights

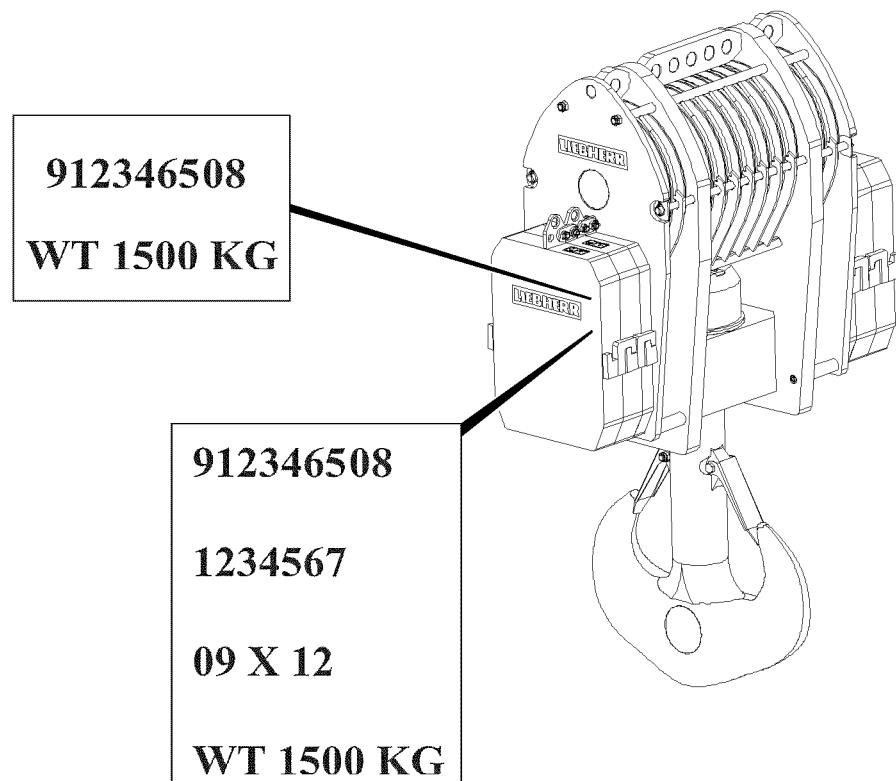


Fig.118511



Note

- The own weight of the individual auxiliary weight is noted on the side on the respective auxiliary weight.

3.1 Identifications on auxiliary weights at delivery

Punch mark area	Explanation
912346508	Liebherr Id. No.
WT 1500 Kg	WT (Weight Tara) = Own weight of individual auxiliary weight

Identifications of auxiliary weights at delivery

3.2 Identifications on auxiliary weights for reorder

Punch mark area	Explanation
912346508	Liebherr Id. No.
123456	Series or factory test number
09 X 12	Month of construction / supplier marks / year of construction
WT 1500 Kg	WT (Weight Tara) = Own weight of individual auxiliary weight

Identifications of auxiliary weights at reorder

Empty page!

LWE/LR 11350-005/19004-04-02/en

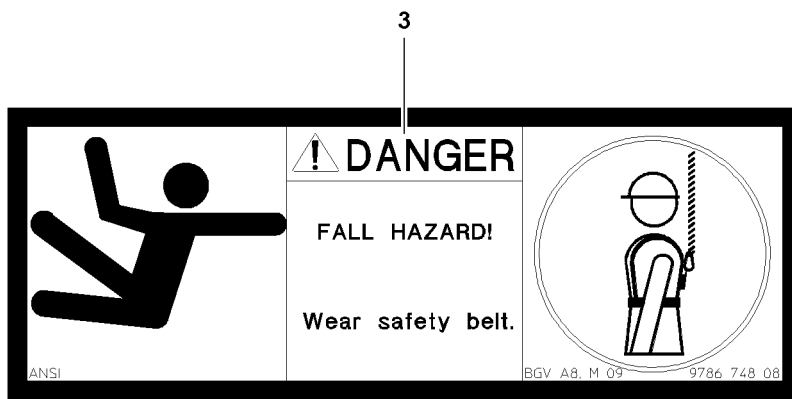


Fig.112104

1 Personal protective equipment



WARNING

Danger of falling!

During assembly / disassembly, inspection and maintenance work, personnel must be secured with appropriate aids to prevent them from falling! If this is not observed, assembly personnel could fall and suffer life-threatening or fatal injuries!

- ▶ The assembly personnel must always move carefully and anticipatory on the crane, the crane components or lattice sections!
 - ▶ All work aloft, where there is a danger of falling must be carried out with suitable aids!
 - ▶ If fall protection equipment is available, then it must be used!
 - ▶ If aids are not available and work cannot be carried out from the ground, then the assembly personnel must secure themselves with the permissible fall arrest system to prevent falling, see Crane operating instructions, chapter 2.04!
 - ▶ The fall arrest system must be attached on the fastening and hook points as well as on the safety ropes!
 - ▶ Only step on the aids, ladders and catwalks with clean shoes!
 - ▶ Keep aids, ladders and catwalks free of heavy dirt, snow and ice!
-



Note

- ▶ The sign **3** marks the fastening points, where assembly personnel must hook in the fall arrest system to secure themselves against falling!
-

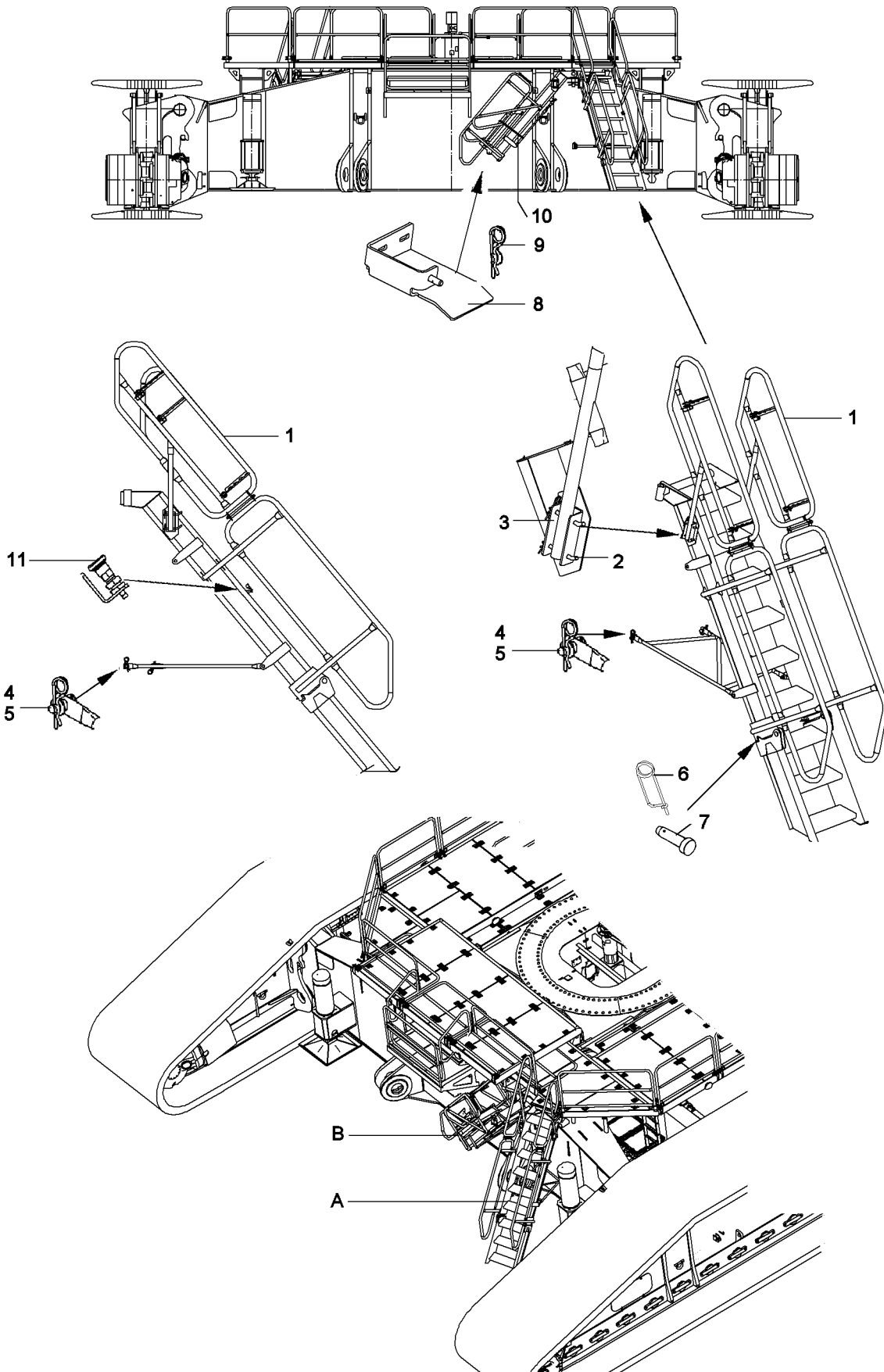


Fig.106914

LWE/LR 11350-005/19004-04-02/en

2 Fall protection equipment on the crawler track



WARNING

Danger of falling!

During assembly / disassembly, inspection and maintenance work, personnel must be secured with appropriate aids to prevent them from falling!

If this is not observed, assembly personnel could fall and suffer life-threatening or fatal injuries!

- ▶ For assembly / disassembly work, maintenance work and inspections, swing all railings and platforms into position and secure!
- ▶ Only step on the aids, ladders and platforms with clean shoes!
- ▶ Keep aids, ladders and platforms free of heavy dirt, snow and ice!
- ▶ Replace damaged ladders and platforms immediately!
- ▶ Assemble all ladders and platforms to be stable and safely accessible!

2.1 Assembling the ladders



Note

- ▶ A= operating position
- ▶ B= transport position

Swing ladder from transport position **B** into operating position **A**.

- ▶ Loosen retaining pin **9** on the mounting **8**.
- ▶ Swing ladder **1** into operating position and lock.
- ▶ Pin ladder **1** securely on the cross carrier. Insert the pin **4** and secure with spring retainer **5**.
- ▶ Loosen tension belt **10**.
- ▶ Pull pin **11** and unlock ladder lower section.
- ▶ Fold down ladder lower section. Insert the pin **7** and secure with spring retainer **6**.
- ▶ Fold and secure railings upward, left and right. Insert socket pin **2** and secure with spring retainer **3**.

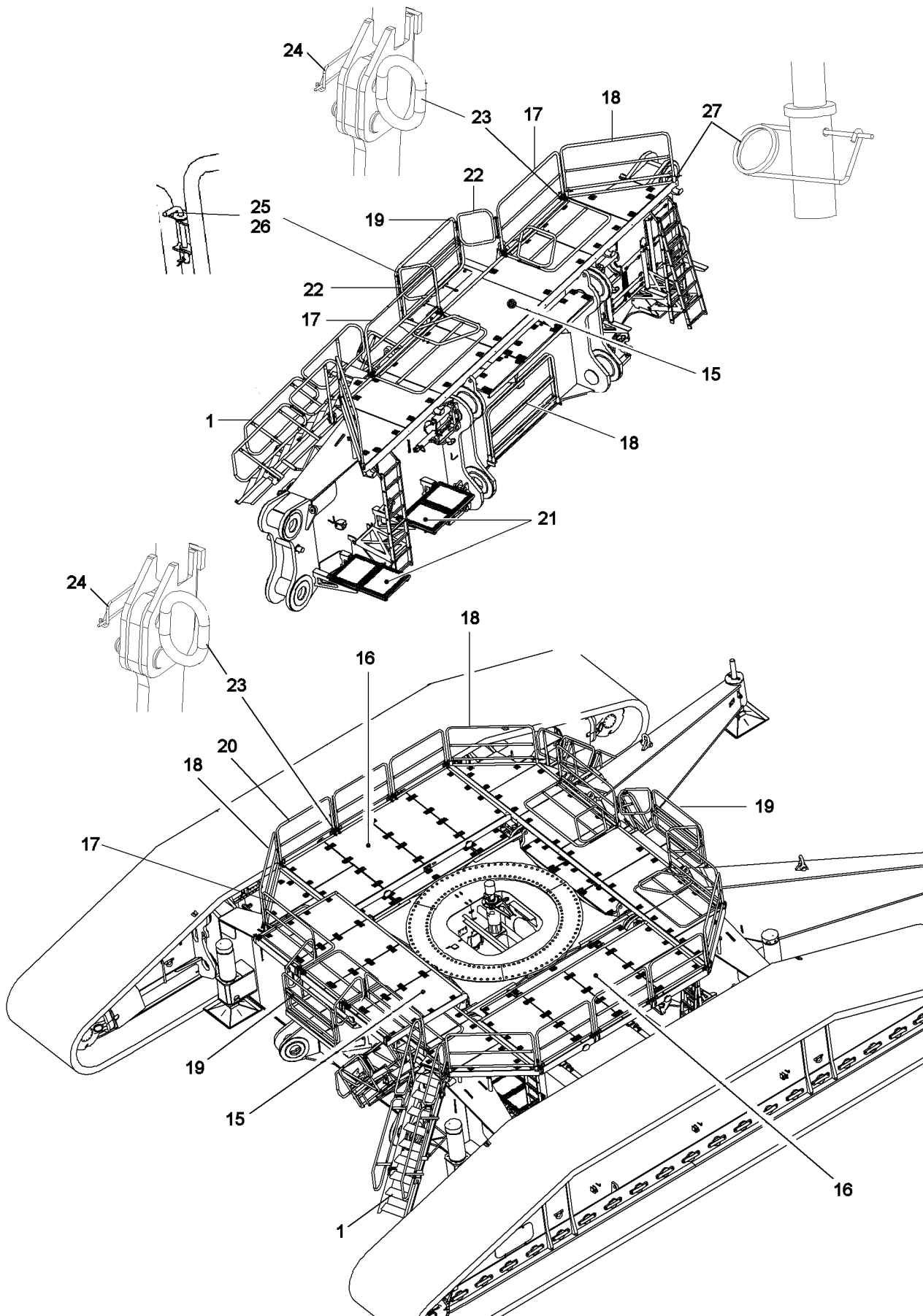


Fig.106915

LWE/LR 11350-005/19004-04-02/en

2.2 Assembling platforms and railings

Make sure that the following prerequisites are met:

- The railings **17** are placed down.
- The railings **18** are hung laterally on cross carrier.
- The ladder **21** has been folded in.



WARNING

When working aloft, there is a danger of falling!

- ▶ Assemble and secure all anti-fall guards, for example, platforms, ladders and railings properly.
-



Note

- ▶ The platforms **15** and the railings are assembled onto the cross carriers for transport.
-

- ▶ Hang platform **16** on both sides between the cross carriers into the brackets **a** on the platforms **15**.
- ▶ Erect, pin and secure railings **20**. Insert the pin **23** and secure with spring retainer **24**.
- ▶ Erect, pin and secure railings **17**. Insert the pin **23** and secure with spring retainer **24**.
- ▶ Fold up railings **19** and simultaneously swing railings **22** both sides with locking pins **25** and secure cotter pin **26**.
- ▶ Assemble railings **18** and secure with spring retainers **27**.
- ▶ Fold down platforms **21** or fold up and lock.

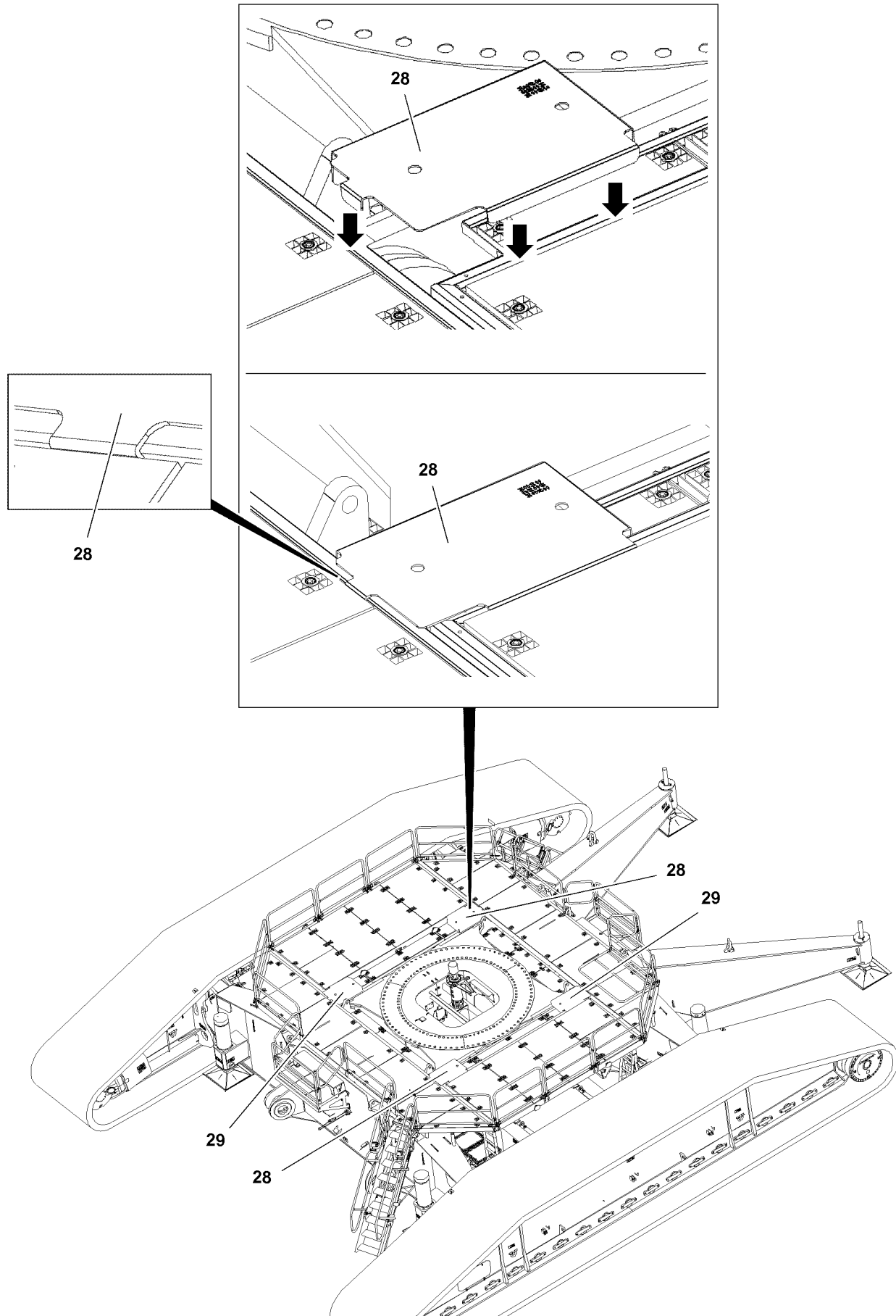


Fig.116866

LWE/LR 11350-005/19004-04-02/en

2.3 Installing the steps

Make sure that the following prerequisites are met:

- The platforms are installed.
- The railings are installed.



WARNING

When working aloft, there is a danger of falling!

- ▶ Assemble and secure all anti-fall guards, for example platforms, ladders and railings properly.
-



Note

- ▶ The installation of the step **28** is identical to the installation of the step **29**!
 - ▶ The installation of the step **28** is reversed to the installation of step **29**!
-



WARNING

Danger of injury!

If the steps are not installed before installation of the turntable, then the assembly personnel can fall when installing the turntable and later when using the step on the turntable!

Personnel can be severely injured!

- ▶ Make sure that steps **28** and steps **29** are hooked on the platform!
-



WARNING

Danger of crushing!

When hooking the step, fingers and hands can be crushed!

- ▶ Do not reach with your hands into the danger zone!
 - ▶ Hook the step **28** on the platform as shown the illustration.
 - ▶ Hook all steps on the platform as shown the illustration.
-

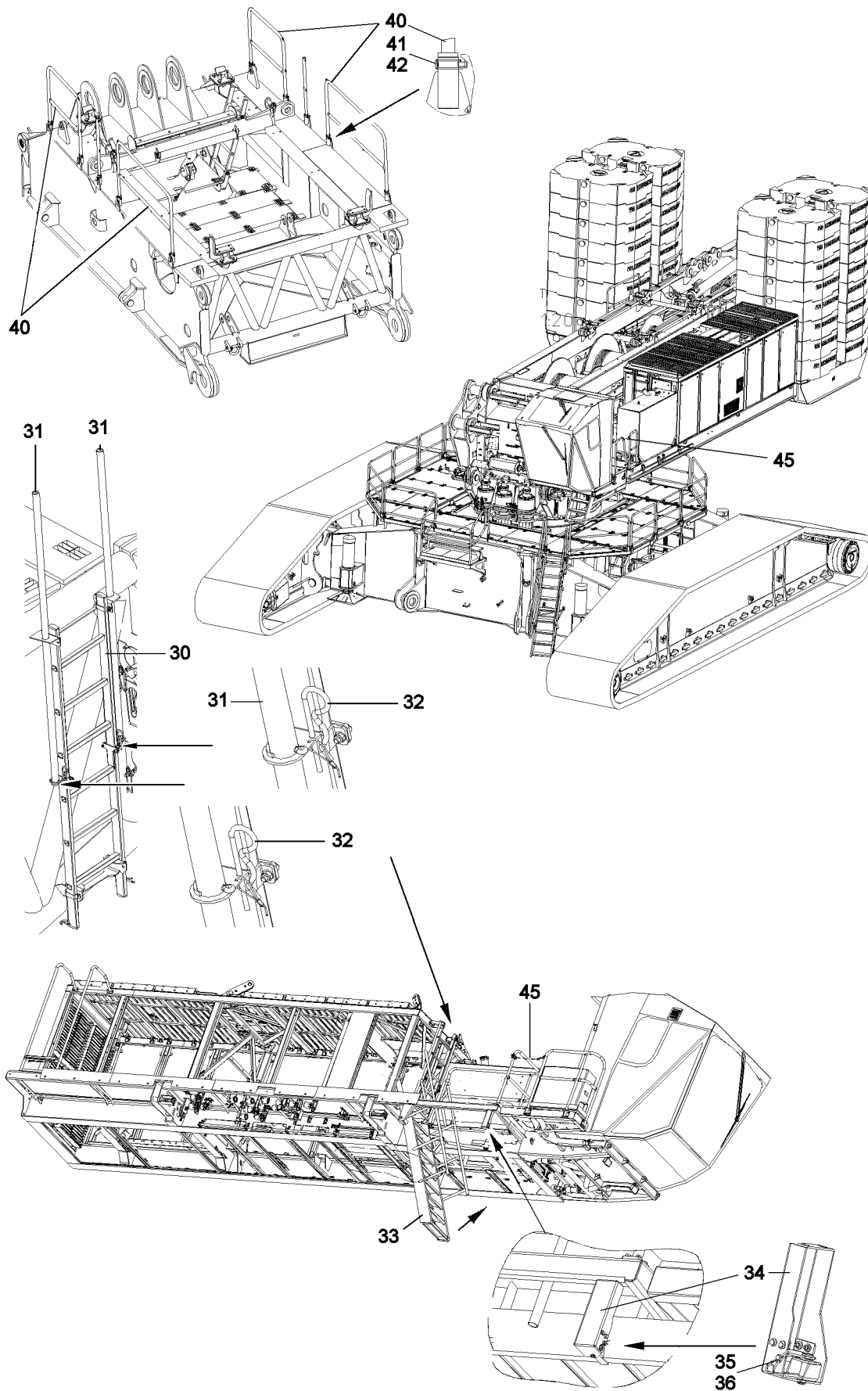


Fig.106916

LWE/LR 11350-005/19004-04-02/en

3 Fall protection equipment on the turntable



WARNING

Danger of falling!

During assembly / disassembly, inspection and maintenance work, personnel must be secured with appropriate aids to prevent them from falling!

If this is not observed, assembly personnel could fall and suffer life-threatening or fatal injuries!

- ▶ For assembly / disassembly work, maintenance work and inspections, swing all railings and platforms into position and secure!
- ▶ Only step on the aids, ladders and platforms with clean shoes!
- ▶ Keep aids, ladders and platforms free of heavy dirt, snow and ice!
- ▶ Replace damaged ladders and platforms immediately!
- ▶ Assemble all ladders and platforms to be stable and safely accessible!

3.1 Assembling the ladders



WARNING

When working aloft, there is a danger of falling!

- ▶ Pull and secure pipes **31** upward on both sides.

3.1.1 Installing the pipes in position for assembly / disassembly

- ▶ Pull the pipes **31** upward on both sides in position for installation / removal.
- ▶ Secure pipes **31** in position for installation / removal with cotter pin **32** on both sides.

3.1.2 Installing the pipes in transport position

- ▶ Remove the cotter pins **32**.
- ▶ Set both pipes **31** downward into transport position.
- ▶ Insert the cotter pin **32** into transport position.

3.1.3 Fold up ladder into transport position

- ▶ Press ladder **33** upward and lock on the console **34**.
- ▶ Remove cotter pin **35**, unpin pin **36**, swing bearing **37** and pin again. Insert the pin **36** and secure it with a cotter pin **35**.

3.2 Assembling the railings

3.2.1 Assembling railings into position for assembly / disassembly

- ▶ Insert, pin and secure the railings **40** for assembly / disassembly into the holders.
- ▶ Insert the pin **41** and secure with locking pin **42**.
- ▶ Install the retaining chains **45**.

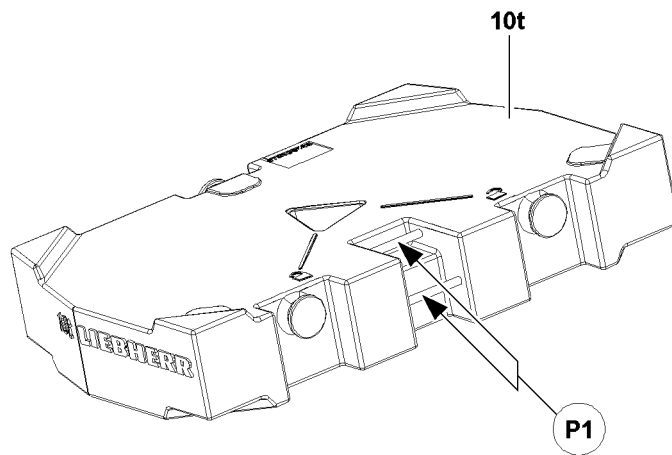


Fig.112778

LWE/LR 11350-005/19004-04-02/en

4 Fall protection equipment on counterweights

4.1 Fastening and hook points on the counterweights

The steps on the counterweight plates serve as fastening points for assembly tasks **P1** for the approved fall arrest system for assembly personnel.



WARNING

When working aloft, there is a danger of falling!

If the following notes are not observed, the assembly personnel could fall and suffer life-threatening injuries!

- ▶ Assembly personnel must wear an approved fall arrest system and protection equipment before performing any assembly / disassembly and maintenance work on the counterweights.
 - ▶ The assembly personnel must hook themselves onto the fastening points **P1** with an approved fall arrest system to prevent them from falling!
-

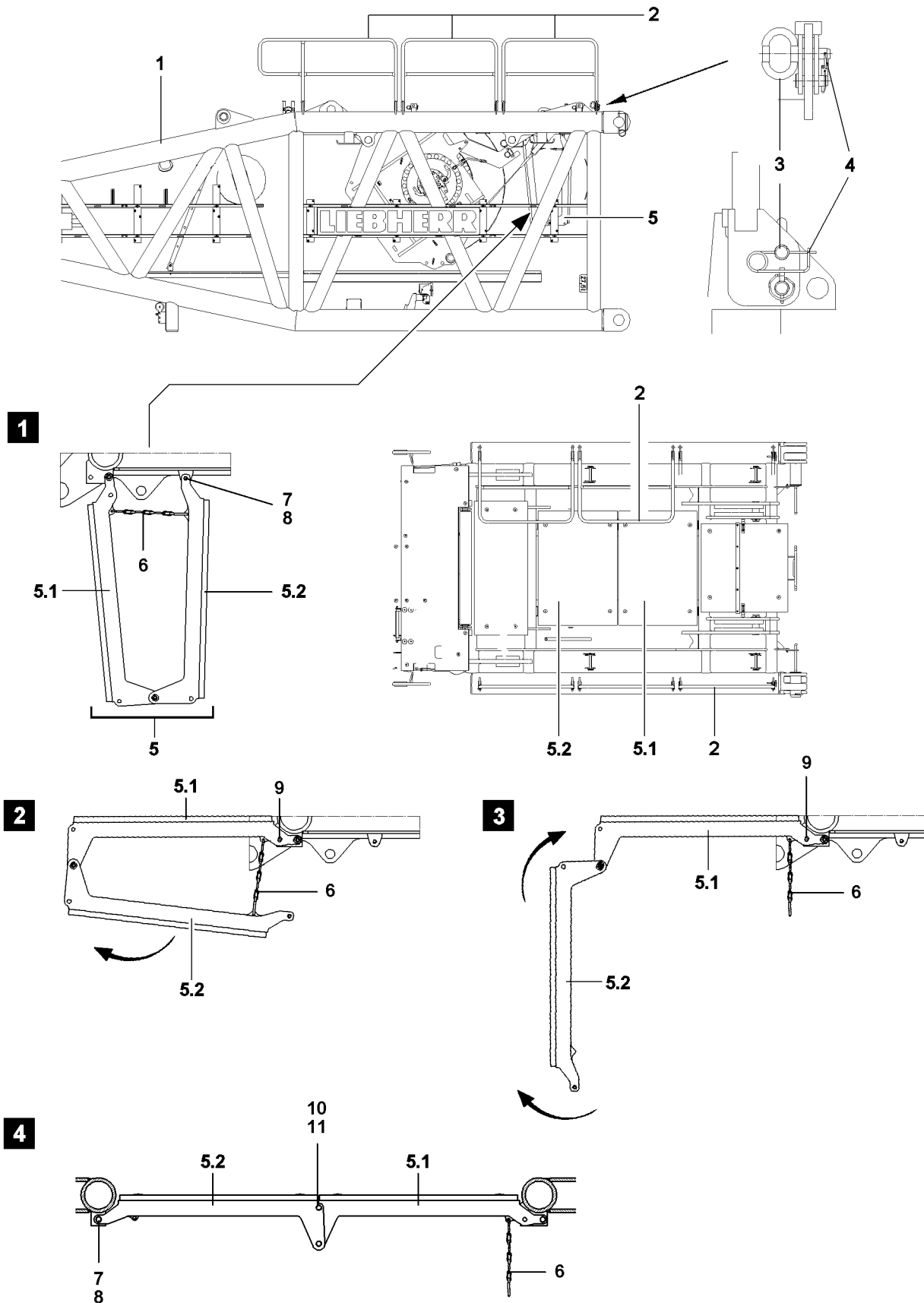


Fig.112590

5 Fall protection equipment on the boom pivot sections and on the lattice sections

5.1 Assembling the railings



WARNING

Danger of falling!

During the assembly / disassembly of the railings, the assembly personnel can fall down and be mortally injured!

- ▶ Make sure that the personal fall arrest system is worn properly and correctly fastened on the intended fastening points!

5.1.1 Installing the railings in operating position

Make sure that the following prerequisite is met:

- The railings are in transport position.
- ▶ Unpin the pin **3** in transport position: Remove the spring retainer **4** and unpin the pin **3**.
- ▶ Swing the railings **2** upward into operating position.

When the railings **2** are in operating position:

- ▶ Insert the pin **3** and secure with spring retainer **4**.

5.1.2 Installing the railings in transport position

Make sure that the following prerequisites are met:

- Winch **5** is removed on the S-pivot section or is in transport position.
- The railings are in operating position.
- ▶ Unpin the pin **3** in operating position: Remove the spring retainer **4** and unpin the pin **3**.
- ▶ Swing the railings **2** downward into transport position.

When the railings **2** are in transport position:

- ▶ Insert the pin **3** and secure with spring retainer **4**.

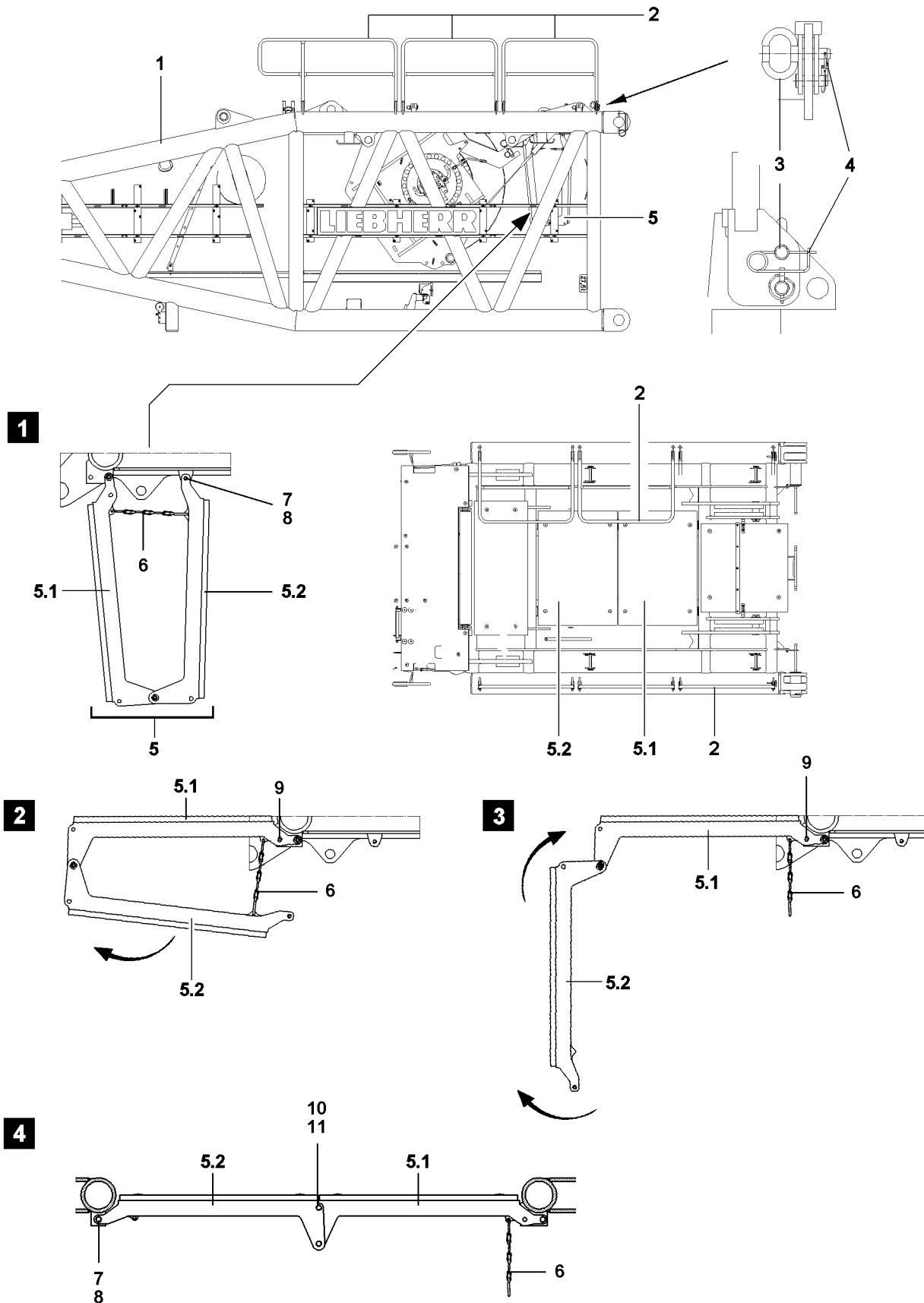


Fig.112590

5.2 Assembling the assembly platform

Make sure that the following prerequisite is met:

- The railings on the S-pivot section are in operating position.

5.2.1 Installing the assembly platform in operating position



Note

- ▶ The assembly platform can only be installed if winch 5 is not installed on the S-pivot section.



WARNING

Danger of falling!

If the assembly platform **5** is not completely folded open and not pinned, there is a danger of falling!

- ▶ The assembly platform **5** may only be accessed when it is completely folded open, pinned and secured!

- ▶ Hang the folded assembly platform **5** on the auxiliary crane.
- ▶ Release the spring retainer **7** and unpin the pin **8**, see illustration **1**.
- ▶ Pull the assembly platform **5** upward to horizontal position and pin and secure retaining pins **9**, illustration **2**.
- ▶ Hang the auxiliary crane on the folded down section **5.2** of the platform.
- ▶ Remove the chain **6** and lower the lower section **5.2** - illustration **3** - and then pull up to the horizontal position and pin, illustration **4**.
- ▶ Insert the pin **8** and secure with spring retainer **7**.
- ▶ Lock the platform in the center and pin.
- ▶ Insert the locking pin **10** and secure with spring retainer **11**.

5.2.2 Installing the assembly platform in transport position



Note

- ▶ The assembly platform can only be removed if winch 5 is not installed on the S-pivot section.

- ▶ Release and unpin the locking pin **10**.
- ▶ Fasten the front section **5.2** of the assembly platform on the auxiliary crane.
- ▶ Release and unpin the pin **8**.
- ▶ Lower the front section **5.2** of the assembly platform with the auxiliary crane and fasten on the chain **6**.
- ▶ Attach the folded assembly platform **5** on the auxiliary crane.
- ▶ Release and unpin the retaining pin **9**, illustration **3**.
- ▶ Carefully lower the assembly platform **5** with the auxiliary crane and pin and secure with pin **8** in transport position, illustration **1**.

When the assembly platform is pinned and secured in transport position:

- ▶ Remove the auxiliary crane.

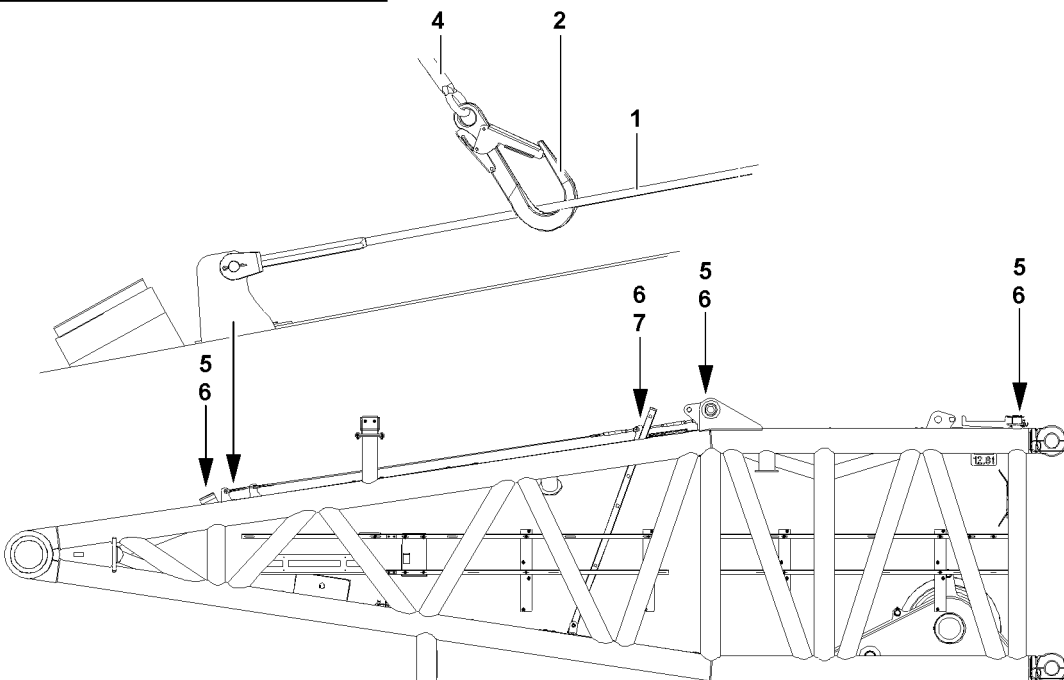
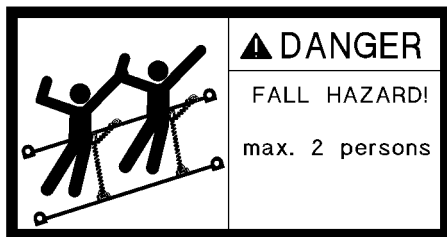
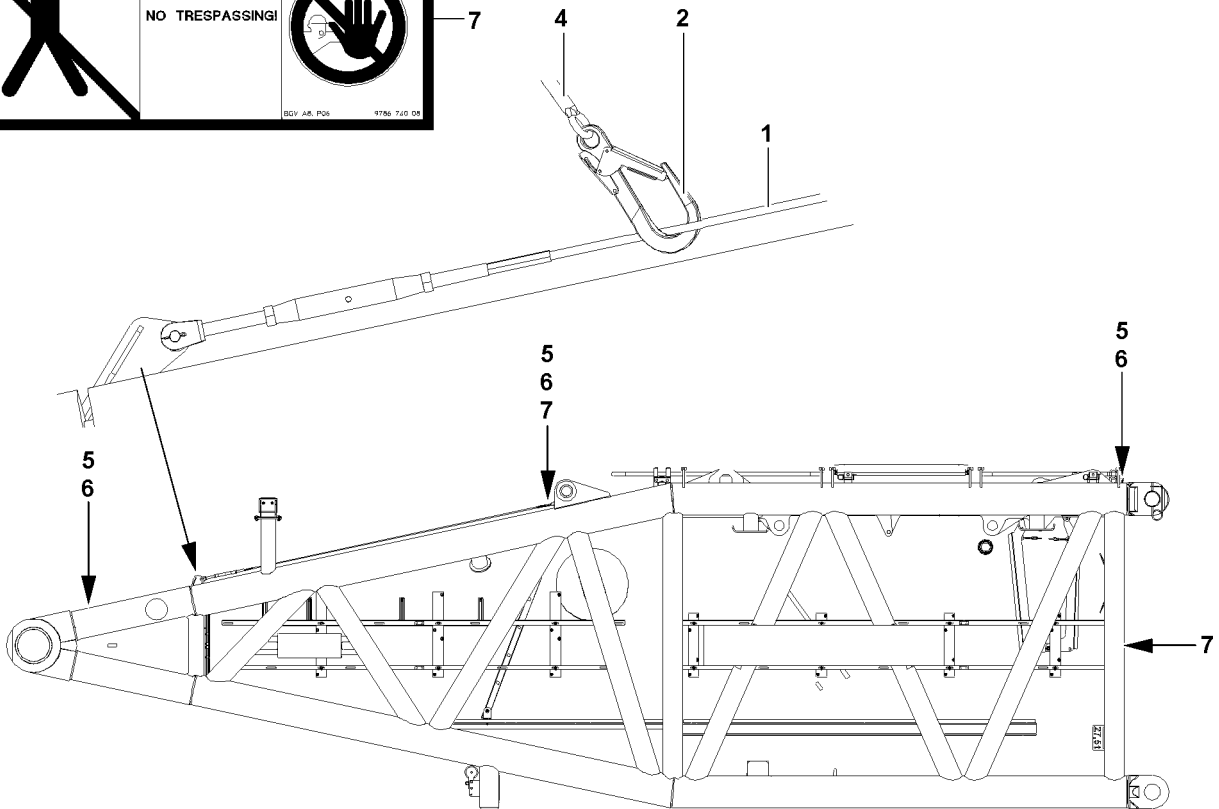


Fig.112559

LWE/LR 11350-005/19004-04-02/en

5.3 Retaining ropes on the S- and D-pivot section

On the lattice sections, on the upper left and right hand side, are retaining ropes **1** assembled as fall protection equipment.

NOTICE

Danger of damage!

By hanging loads or other objects on the retaining ropes, they can be damaged and fail in case of an emergency!

- ▶ Never hang loads or objects on the safety ropes **1**!
-



WARNING

Danger of falling!

During assembly / disassembly, inspection and maintenance work, personnel must be secured with appropriate aids to prevent them from falling!

If this is not observed, assembly personnel can fall and suffer life-threatening or fatal injuries!

- ▶ Any work, where there is a danger of falling must be carried out with suitable aids (for example: lifting platforms, scaffoldings, ladders, auxiliary crane)!
 - ▶ If the work cannot be carried out with such aids nor from the ground, then the assembly personnel must secure themselves with the fall arrest system **4** to avoid falling, see Crane operating instructions chapter 2.04!
 - ▶ The assembly personnel must hook themselves for all installation / removal work, maintenance and inspection work on the lattice mast boom with approved fall arrest systems **4** on the retaining ropes **1** on the left and right hand side with both snap hooks **2** and secure themselves to prevent them from falling (For example: Fall arrester with self-actuating blocking function and an automatic tension and pull in device for the connectors)!
 - ▶ The connector must be set to a length as short as possible so that it is impossible to hit the ground in case of a fall!
 - ▶ Fall absorbers may not be used, because they stretch too much in case of a fall!
 - ▶ On the retaining ropes **1** on the left and right hand side, no more than **maximum two persons** may hook themselves with the snap hooks **2** and secure themselves to prevent falls, see sign **5**!
 - ▶ Changing the snap hooks **2** over is only permissible on the connecting points from lattice section to lattice section!
 - ▶ When changing the snap hook **2** from lattice section to lattice section, one snap hook **2** must always be hooked on one retaining rope **1**!
 - ▶ Never release both snap hooks **2** simultaneously from the safety ropes **1**!
 - ▶ Before any assembly / disassembly work, maintenance and inspection work it must be ensured that all obstacles below the work place have been removed and that there is sufficient clearance in case of a fall!
 - ▶ During all assembly / disassembly work, maintenance work and inspections, travel or crane operation is prohibited!
-

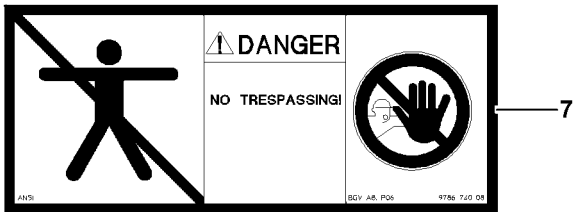
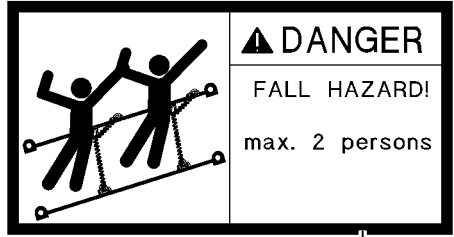
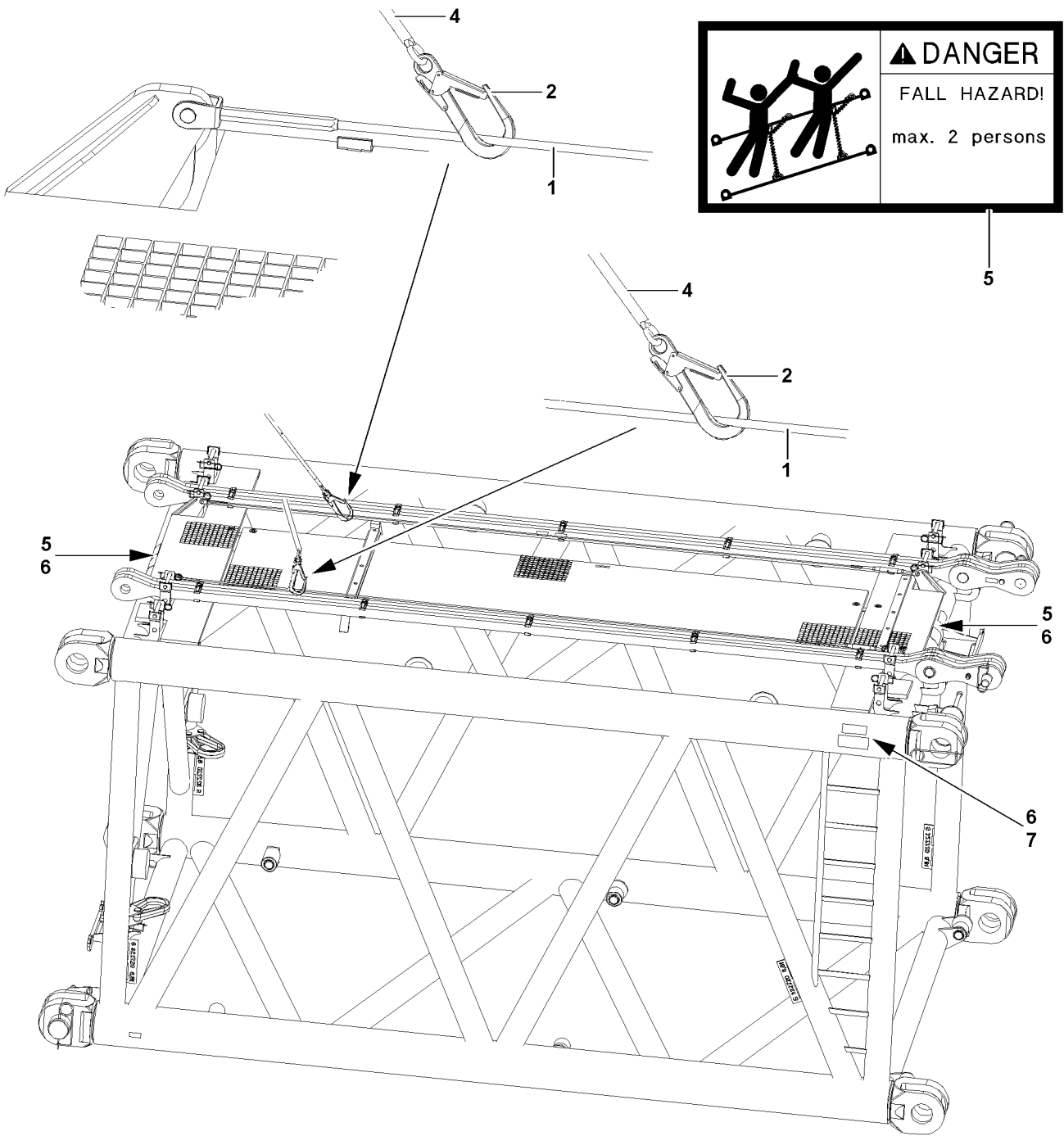


Fig.112560

LWE/LR 11350-005/19004-04-02/en

5.4 Retaining ropes on the lattice sections

On the lattice sections, on the upper left and right hand side, are retaining ropes **1** assembled as fall protection equipment.

NOTICE

Danger of damage!

By hanging loads or other objects on the retaining ropes, they can be damaged and fail in case of an emergency!

- ▶ Never hang loads or objects on the safety ropes **1**!
-



WARNING

Danger of falling!

During assembly / disassembly, inspection and maintenance work, personnel must be secured with appropriate aids to prevent them from falling!

If this is not observed, assembly personnel can fall and suffer life-threatening or fatal injuries!

- ▶ Any work, where there is a danger of falling must be carried out with suitable aids (for example: lifting platforms, scaffoldings, ladders, auxiliary crane)!
 - ▶ If the work cannot be carried out with such aids nor from the ground, then the assembly personnel must secure themselves with the fall arrest system **4** to avoid falling, see Crane operating instructions chapter 2.04!
 - ▶ The assembly personnel must hook themselves for all installation / removal work, maintenance and inspection work on the lattice mast boom with approved fall arrest systems **4** on the retaining ropes **1** on the left and right hand side with both snap hooks **2** and secure themselves to prevent them from falling (For example: Fall arrester with self-actuating blocking function and an automatic tension and pull in device for the connectors)!
 - ▶ The connector must be set to a length as short as possible so that it is impossible to hit the ground in case of a fall!
 - ▶ Fall absorbers may not be used, because they stretch too much in case of a fall!
 - ▶ On the retaining ropes **1** on the left and right hand side, no more than **maximum two persons** may hook themselves with the snap hooks **2** and secure themselves to prevent falls, see sign **5**!
 - ▶ Changing the snap hooks **2** over is only permissible on the connecting points from lattice section to lattice section!
 - ▶ When changing the snap hook **2** from lattice section to lattice section, one snap hook **2** must always be hooked on one retaining rope **1**!
 - ▶ Never release both snap hooks **2** simultaneously from the safety ropes **1**!
 - ▶ Before any assembly / disassembly work, maintenance and inspection work it must be ensured that all obstacles below the work place have been removed and that there is sufficient clearance in case of a fall!
 - ▶ During all assembly / disassembly work, maintenance work and inspections, travel or crane operation is prohibited!
-

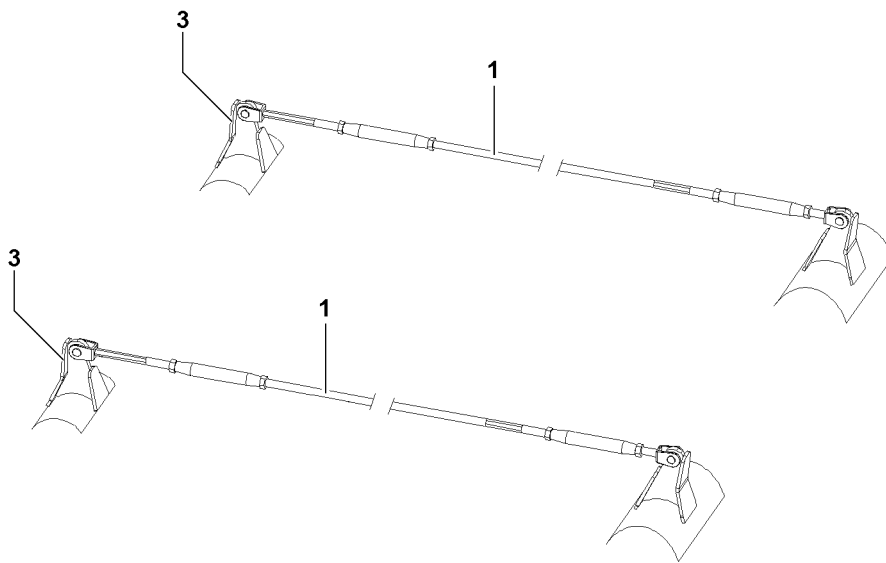


Fig.112371

LWE/LR 11350-005/19004-04-02/en

5.5 Inspection and replacement of retaining ropes

5.5.1 Replacing retaining ropes subjected by a fall

**Note**

- ▶ The illustration of the anchor points **3** is an example and can differ on the various lattice sections or crane components!

**WARNING**

Danger of accidents due to fall subjected retaining ropes!

If fall subjected retaining ropes **1** are not replaced after a fall, then the retaining ropes can fail in case of another fall!

The assembly personnel can be killed or severely injured!

- ▶ **Expert personnel** must immediately replace any retaining ropes **1** which were subjected in a fall and inspect the respective anchor points **3** for damage!
- ▶ If the anchor points **3** are damaged, then they must be replaced immediately by **expert personnel**!

5.5.2 Inspection of safety ropes and anchor points

For detailed description of "Inspection of safety ropes and anchor points" refer to the Crane operating instructions, chapter 8.01.

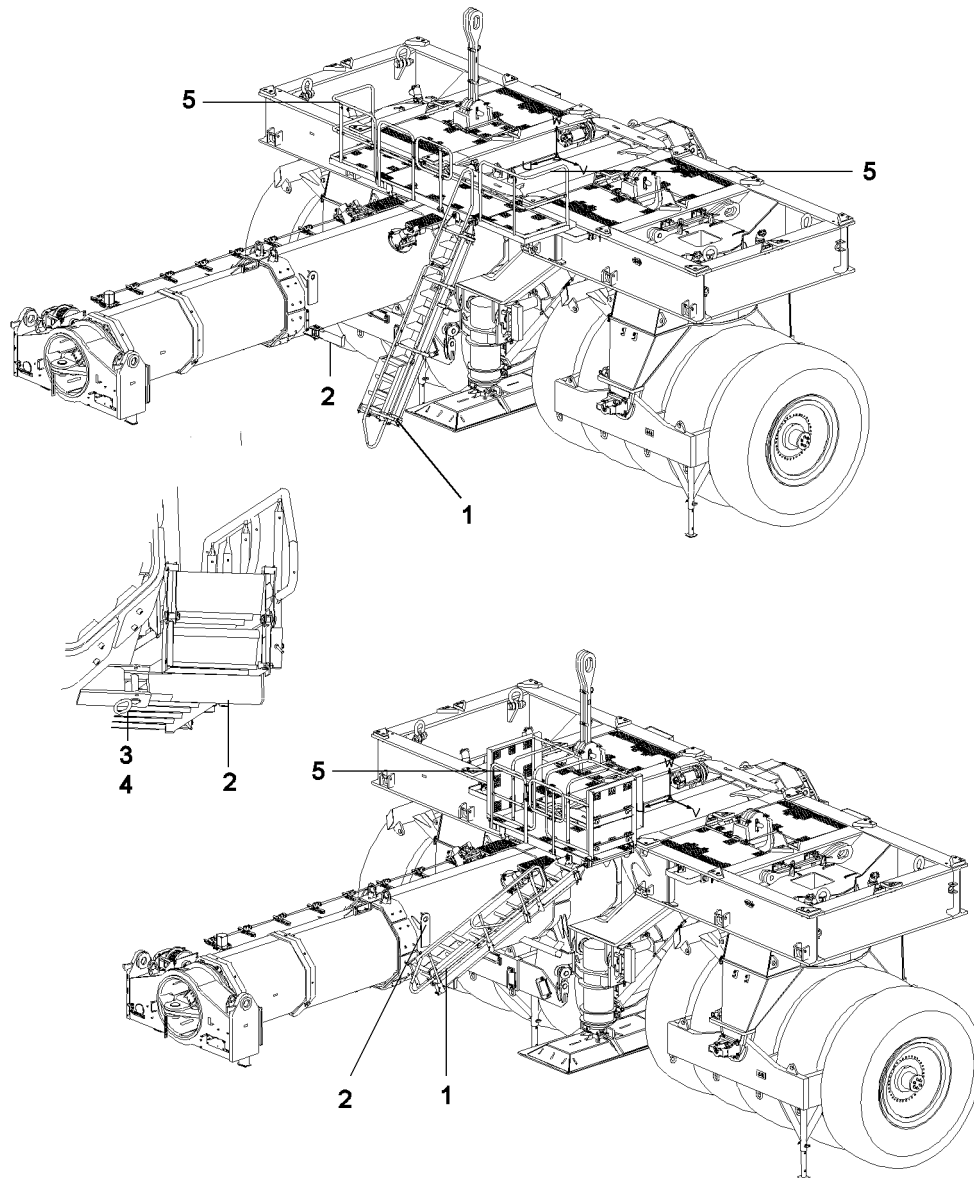


Fig.107351

6 Fall protection equipment on the ballast trailer



WARNING

Danger of falling!

During assembly and disassembly, assembly personnel must be secured with appropriate aids to prevent them from falling. If this is not observed, assembly personnel could fall and suffer life-threatening or fatal injuries!

- ▶ For assembly / disassembly work, maintenance work and inspections, assembly all railings, ladders and platforms properly, swing in position and secure!
- ▶ Only step on the ladder and platform with „clean shoes“.
- ▶ Keep ladders and platforms clean and free of snow and ice!
- ▶ Replace damaged ladders and platforms immediately!
- ▶ Assemble all ladders and platforms stable and safe to access.
- ▶ Assemble the railings properly.

6.1 Bring ladders and railings into assembly position

- ▶ Hang ladder **1** onto the auxiliary crane and lift up lightly. Unpin console **2** and swing to the guide. Remove the locking pin **4** and unpin the pin **3**.
- ▶ Place ladder **1** downward.
- ▶ Fold down and lock down latter lower section.
- ▶ Swing railings **7** upward, pin and secure.
- ▶ Fold platform **6** and railings **5** to the side on both sides, pin and securely.

6.2 Bring ladders and railings into transport position

- ▶ Fold ladder lower section upward, pin and secure.
- ▶ Swing railings **7** downward, pin and secure.
- ▶ Hang ladder **1** onto the auxiliary crane and raise.
- ▶ Remove lynch pin **4**, unpin pin **3**, and swing console **2** and swing outward, pin and secure.
- ▶ Place down ladder **1** on the console **2**.
- ▶ Unpin platforms **6** and railings **5** and fold together on both sides, pin and secure.

Fig.195219

LWE/LR 11350-005/19004-04-02/en

1 Working in low temperatures

1.1 Required auxiliary equipment*



Note

- ▶ For work in low temperatures, between -25 °C and -40 °C , or in temperatures below -40 °C , **Liebherr-Werk Ehingen GmbH** offers numerous auxiliary equipment*.



WARNING

Danger of accident when working in low temperatures!

When working in low temperatures **without** auxiliary equipment, damage can occur to crane components.

Personnel can be severely injured or killed.

- ▶ Make sure that the crane is equipped for application and for work in low temperatures.
- ▶ When working in low temperatures, always act anticipatorily, slowly and with utmost caution.
- ▶ Make sure that the following danger notices are observed and adhered to.

2 Working in ambient temperatures up to -40 °C

This section contains important notices for application of Liebherr cranes in ambient temperatures to -40 °C.

Valid for:

- Liebherr Lattice mast cranes
- Liebherr Telescopic cranes



WARNING

The crane can topple over!

Disregard of crane documentation can cause the crane to topple over!

Personnel can be severely injured or killed!

- ▶ Observe and adhere to the crane documentation.
- ▶ Make sure that you have read and understood the safety technical notices for crane operation, see Crane operating instructions, chapter 2.04.
- ▶ Make sure that you have read and understood the safety technical notices for assembly / disassembly, see Crane operating instructions, chapter 5.01.
- ▶ Make sure that you have read and understood the notices for maintenance, see Crane operating instructions, chapter 7.01.

2.1 Measures before crane operation

NOTICE

Danger of property damage!

Low temperatures, such as snow, frost and ice can impair crane operation and cause problems on the crane.

- ▶ Carry out the following measures before crane operation.

- Make sure that all winches and rope pulleys are free of snow, frost and ice.
- Make sure that all cable and hose drums are easily moveable.
- Make sure that all rope pulleys are easily moveable.
- Make sure that counterweight / ballast plates are installed smoothly.
- Make sure that the support plates are supported exclusively with suitable and sufficiently load bearing materials.
- Make sure that support plates are supported on one side of the crane with greased polyamide plates.

- Make sure that the support cylinders for crane operation are extended only to maximum 50 %.

2.1.1 Preheating hydraulic cylinders / hydraulic system on lattice mast cranes

NOTICE

Damage to hydraulic cylinders!

- ▶ Always preheat hydraulic cylinders at ambient temperatures below -25 °C - before crane operation.
-



WARNING

Death due to hydraulically actuated crane components!

When hydraulic cylinders are „warmed up“, personnel can be severely injured or killed.

- ▶ Make sure that no persons or objects are within the danger zone.
-

Preheat the pull cylinders in the derrick ballast guying before crane operation.



WARNING

The crane can topple over!

If the following points are not observed, the crane can topple over.

Personnel can be severely injured or killed.

- ▶ Make sure that a valid set up configuration has been entered and confirmed in the LICCON computer system.
 - ▶ Make sure that there is no load on the hook of the boom system.
 - ▶ Observe and adhere to the load charts.
 - ▶ For ballast trailer: Make sure that the ballast trailer guide is fully retracted.
 - ▶ Make sure that the derrick radius and the derrick ballast radius are identical.
 - ▶ Make sure that the derrick ballast is laying completely on the ground.
 - ▶ Make sure that the derrick guy rods hang vertically.
 - ▶ Make sure that the derrick guying is relieved.
 - ▶ Make sure that the F1-actual force (test point 1) is in the permissible range, see Crane operating instructions, chapter 4.02.
-

- ▶ Remove the guy rods from the pull cylinders to the derrick ballast properly, see Crane operating instructions, chapter 5.35 and chapter 5.36.

When the guy rods are properly removed:

- ▶ Retract and extend the pull cylinders several times.

Preheat additional hydraulic cylinders:

- ▶ Retract and extend hydraulic cylinders several times over the entire stroke length.

2.1.2 Preheating hydraulic cylinders / hydraulic system on telescopic cranes

NOTICE

Damage to hydraulic cylinders!

- ▶ Always preheat hydraulic cylinders at ambient temperatures below -25 °C - before crane operation.
-



WARNING

Death due to hydraulically actuated crane components!

When hydraulic cylinders are „warmed up“, personnel can be severely injured or killed.

- ▶ Make sure that no persons or objects are within the danger zone.
-

Preheat the luffing cylinder before crane operation.

NOTICE

Damage to hydraulic components!

- ▶ Make sure that the hydraulic oil - before starting crane operation with a load - has a temperature of at least 20 °C.
-

Make sure that the following prerequisites are met:

- The crane is properly supported and horizontally aligned.
- The telescopic boom is fully telescoped in.
- There is no load on the hook.

▶ Luff the telescoped in telescopic boom up and down several times.

Preheat additional hydraulic cylinders:

▶ Retract and extend hydraulic cylinders several times over the entire stroke length.

2.1.3 Reducing hoist ropes - rope / strand pull



Note

▶ When using hoist ropes in temperature ranges between -25 °C and -40 °C , **Liebherr-Werk Ehingen GmbH** recommends to reduce the rope / strand pull of the hoist ropes for crane application.

NOTICE

Rope damage due to insufficient weight of the hook block!

▶ Observe and adhere to the „minimum required hook block weight“ in the load chart.

▶ Increase the rope reeving specified in the load chart.

Result:

- The rope / strand pull of the hoist rope is reduced.

2.1.4 Increasing the hook block - hook block weight



Note

▶ The calculation of the minimum required hook block weight is described in the load chart!

▶ Depending on the temperature range in which the crane is used, increase the minimum required hook block weight, see the following chart overview.

▶ Observe the permissible hook block weights for erection and take down of the boom systems in the erection and take down charts.

Crane application in ambient temperatures	Increase of minimum required hook block weight
To -30 °C	By 10 %
To -40 °C	By 15 %

2.2 Measures for crane operation

Crane structures and crane components are subjected to special stress in low temperature application. For that reason, crane operation in low temperatures require anticipatory working procedures, adapted to the weather conditions from the crane operator.



WARNING

Breakage of crane components!

Sudden jerky initiation or slow down of crane movements can lead to breakage of crane components. Personnel can be severely injured or killed.

- ▶ Initiate and slow down crane movements sensitively and with utmost caution.
- ▶ Initiate crane movements with utmost caution and at the lowest speed.

2.2.1 Interruption of crane operation.

In areas with ambient temperatures to -40 °C , **Liebherr-Werk Ehingen GmbH** recommends to leave the engine / the engines of crane running during the entire time of the interruption.

Possible interruptions of crane work:

- Break times
- Shut down of crane over night



WARNING

An equipped crane with running engine / engines is unattended!

If an equipped crane with running engine / engines is turned off, the crane operator is obligated to carry out special measures.

If the following measures are not observed and adhered to by the crane operator, then the crane can topple over.

Personnel can be severely injured or killed.

- ▶ Make sure that the measures for interruption of crane work are adhered to, see Crane operating instructions, chapter 2.04.
- ▶ Make sure that the following measures are additionally observed.
- ▶ The crane operator bears the full responsibility for observance of all measures.

- If predicted wind speeds are higher than the maximum permissible wind speeds, see wind speed chart:
 - Place the boom down according to the erection and take down charts in time.
- Make sure that no movements can be carried out on the crane:
 - Respective electrical fuses in the control cabinet may only be removed after consultation with the **Service Department of Liebherr-Werk Ehingen GmbH**.
- Make sure that access to the crane and operation for unauthorized personnel is excluded:
 - Lock the driver's cab after leaving.
 - Pull the key of the driver's cab and store it safely.
 - Lock the crane operator's cab after leaving.
 - Pull the key of the crane operator's cab and store it safely.
- Make sure that the fill levels of Diesel fuel, engine oil and urea are regularly checked by an authorized person. Top off the fill levels if necessary.
- Make sure that the crane is checked in regular intervals by an authorized person for safe crane condition.

2.2.2 Driving two-engine cranes in low temperature application

If two engine cranes are driven in areas with ambient temperatures to $-40\text{ }^{\circ}\text{C}$, **Liebherr-Werk Ehingen GmbH** recommends to let the engine in the crane superstructure idle while driving. This requires special measures on the crane to prevent engine damage on the superstructure engine when driving on uphill or downhill gradients up to maximum 25 %.

NOTICE

Engine damage!

If the oil level on the superstructure engine is insufficient, the engine can be damaged when driving on uphill / downhill gradients up to 25 %.

- ▶ Make sure that the fill levels of Diesel fuel, engine oil and urea on the crane superstructure are regularly checked by an authorized person. Top off the fill levels if necessary.
- ▶ Make sure that the oil level is adjusted before driving the crane, with the crane in horizontal position, according the following chart.
- ▶ Observe and adhere to the following chart.

Engine in crane superstructure	Fill level engine oil
Four cylinder engine	To the max mark
Six cylinder engine	To the max mark + 2.5 l

2.2.3 Crane utilization lattice mast cranes

On lattice mast cranes with pull cylinders in the derrick ballast guying, the maximum derrick ballast must be reduced in low temperature application to -40 °C.



WARNING

The crane can topple over!

Personnel can be severely injured or killed.

- ▶ Make sure that the crane is not overloaded with reduced derrick ballast.
- ▶ Reduce the maximum derrick ballast between -30 °C and -40 °C by 15 %.

2.2.4 Crane utilization telescopic cranes

For telescopic cranes, the crane utilization must be reduced in low temperature application between -30 °C and -40 °C.

- ▶ Reduce the crane utilization between -30 °C and -40 °C by 15 %.

2.3 Measures and notices for maintenance

2.3.1 Load bearing crane structures



Note

- ▶ Check load bearing crane structures for damage according to the Crane operating instructions.

2.3.2 Lubrication and service items



Note

- ▶ Use lubrication and service items according to the lube chart / service fill.

2.3.3 Rope pulleys and hydraulic cylinders



Note

- ▶ Check rope pulleys and hydraulic cylinders for damage according to the Crane operating instructions.

2.3.4 Pretension pressures of pressure accumulators



Note

- ▶ Check the pretension pressures of pressure accumulators according to the crane operating instructions.
- ▶ In low temperature application to -40 °C , reduce the maintenance intervals.

Fig.195219

LWE/LR 11350-005/19004-04-02/en

3 Working in ambient temperatures below -40 °C

The regulations and notices for the ambient temperatures up to -40 °C apply.



WARNING

The crane can topple over!

Disregard of crane documentation can cause the crane to topple over!

Personnel can be severely injured or killed!

- ▶ Observe and adhere to the crane documentation.
- ▶ Make sure that you have read and understood the safety technical notices for crane operation, see Crane operating instructions, chapter 2.04.
- ▶ Make sure that you have read and understood the safety technical notices for assembly / disassembly, see Crane operating instructions, chapter 5.01.
- ▶ Make sure that you have read and understood the notices for maintenance, see Crane operating instructions, chapter 7.01.
- ▶ Make sure that the additional measures for crane application in ambient temperatures below -40 °C are observed and adhered to.

3.1 Measures before crane operation

- ▶ Cover exposed hose drums to protect them from ice, frost and snow.

Before operation:

- ▶ Remove snow from winches, boom, hose and cable drums, including inlet and outlet.

NOTICE

Discharging batteries!

During the preheating of the Diesel engine, the batteries can discharge and be damaged as a result.

- ▶ Make sure that the batteries are fully charged before using the preheating.
 - ▶ Make sure that the batteries are not discharged.
 - ▶ We recommend to ensure the engine preheating via an external power supply, see Crane operating instructions, chapter 2.04.
-
- ▶ Preheat the Diesel engine until it can be started.
 - ▶ Turn the preheater(s) off as soon as the Diesel engine has reached operating temperature.
 - ▶ Preheat the hydraulic system for the crane chassis and the hydraulic system for the crane superstructure for at least 30 minutes.
 - ▶ Preheat the driver's cab and the crane operator's cab at the same time with the hydraulic systems for crane chassis and crane superstructure for at least 10 minutes.

3.2 Measures for crane operation



WARNING

The crane can topple over!

The following listed property damage can cause the crane to topple over as a result.

- ▶ Make sure that the following listed property damage is prevented by appropriate measures.

NOTICE

Damage to the hydraulic system / hydraulic cylinders!

If the cold hydraulic system is actuated with high pressures, damage can occur on hydraulic cylinders, pressure accumulators and the entire hydraulic system.

Before the hydraulic system is actuated with the pressures:

- ▶ Make sure that the preheating of the hydraulic system is completed.

NOTICE

Damage of crane components!

After ending crane operation:

- ▶ Protect winches, hose and cable drums from moisture and freezing.
-

3.3 Measures and notices for maintenance

3.3.1 Lubrication and service items



Note

- ▶ Use lubrication and service items according to the lube chart / service fill.
-

Empty page!

LWE/LR 11350-005/19004-04-02/en

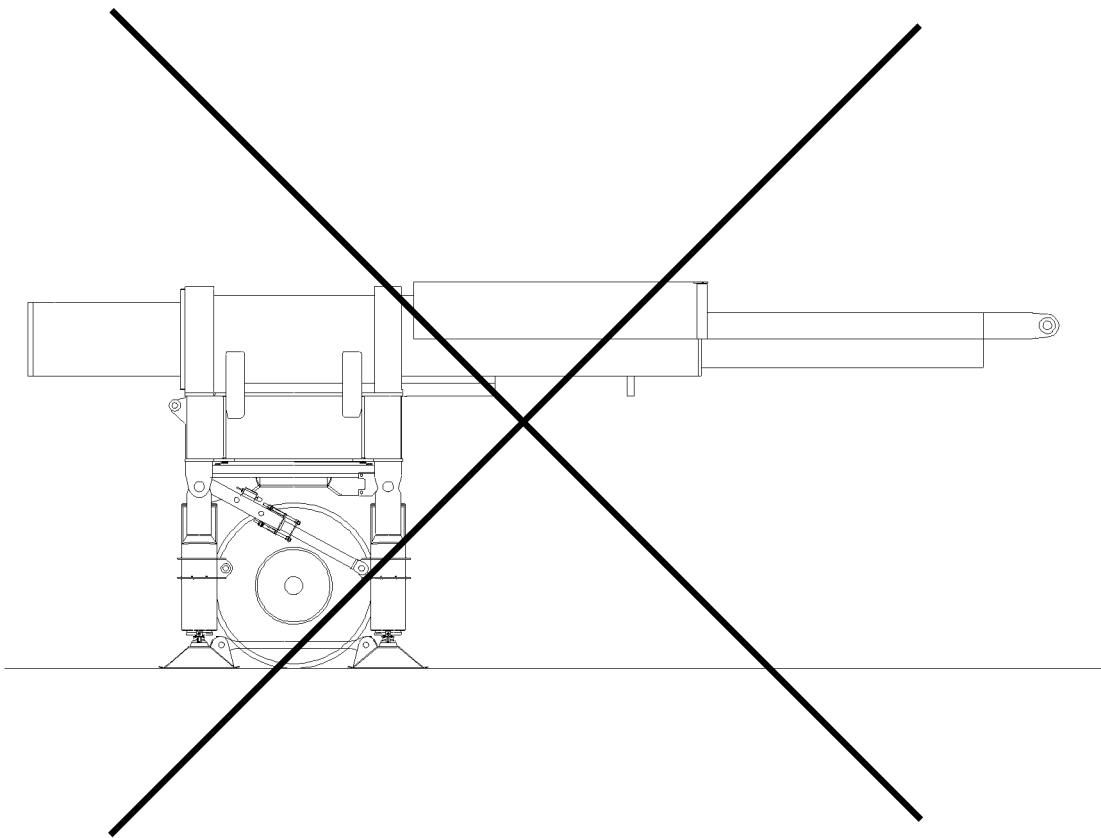
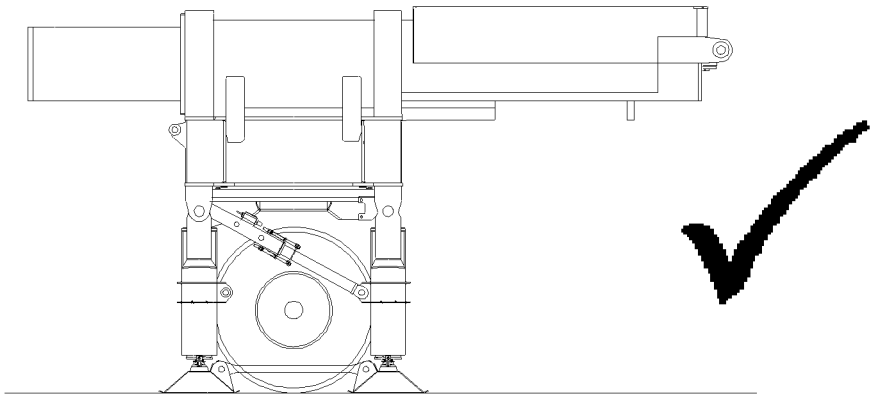


Fig.107353

LWE/LR 11350-005/19004-04-02/en

1 Safety guidelines



WARNING

Risk of falling!

- ▶ During assembly or disassembly work on the ballast trailer, assembly personnel must be secured with appropriate aids! If this is not observed, assembly personnel can fall and suffer life-threatening or fatal injuries!



WARNING

Danger of tipping the ballast trailer!

If the following notes are not observed, the freestanding ballast trailer or the ballast trailer which needs to be disassembled can tip over!

Personnel can be severely injured or killed!

- ▶ The ballast trailer may only be parked on level ground of sufficient load bearing capacity!
- ▶ The ballast trailer may only be unpinned from the crane and parked if the ballast trailer guide is fully retracted!
- ▶ The ballast trailer may only be unpinned from the crane and parked if the support cylinders are extended and the tires are relieved!
- ▶ The ballast trailer may only be unpinned from the crane and parked if the strut on the support cylinders is pinned and secured!



WARNING

Mortal danger if the permissible travel speed is exceeded!

If the permissible travel speed is exceeded, the tires can be damaged!

Personnel can be severely injured or killed!

As a result, significant property damage can occur on the crane and on the ballast trailer!

- ▶ The travel speed of the ballast trailer when turning or driving with maximum ballast on the tires may be not more than maximum 1 km/h (0.28 m/s)!



WARNING

The crane can topple over if the level of the travel path differs!

Due to impermissible level differences between the ballast trailer route and the crane placement level, the entire crane system can be pulled back suddenly!

The relapse cylinders can run to block position. The relapse cylinders and the boom system can be damaged!

Personnel can be severely injured or killed!

- ▶ Do not exceed or fall below the permissible level difference between the ballast trailer travel path and the crane placement level!
- ▶ The travel path of the crane or the circular path of the ballast trailer must be level and of sufficient load bearing capacity!
- ▶ The permissible level difference of the ballast trailer travel path and crane travel path for „towing“ and „parallel driving“ may be no more than maximum 250 mm !
- ▶ The permissible level difference of the ballast trailer path and the crane travel path in relation to the crane travel path for circular driving may be no more than maximum 250 mm - based on a constant uphill incline or constant downhill incline on a 90° turning range!



WARNING

The crane can topple over!

If the following notes are not observed, the crane can topple over!

Personnel can be severely injured or killed!

- ▶ When lifting or lowering the ballast trailer, pay attention to the horizontal alignment of the ballast trailer!
- ▶ The assembly or disassembly work must be carried out according to the Crane operating instructions, chapter 5.35 or chapter 5.11!

NOTICE

Danger of damage to the crane and the ballast trailer!

Due to steering movements on the crawler tracks while driving parallel, the crane and the ballast trailer can be significantly damaged!

- ▶ When driving parallel, steering the crawler tracks is prohibited!
- ▶ For parallel driving, the side tire distortion on the wheel sets must be observed by an instructed person over the entire travel route of the crane. If the tires distort by more than 100 mm, then the position of the wheel sets must be corrected!

**Note**

General safety technical guidelines!

- ▶ The ballast trailer guy rods must be assembled and secured according to the Rod plan. The numbering on the rod plan must be identical to the numbering on the guy rods!

2 Inspection of tires and disk wheels

**Note**

- ▶ See Crane operating instructions, chapter 8.01!

**WARNING**

Mortal danger when using non-approved tires!

Due to the use of tires, which are not explicitly approved by **LIEBHERR-Werk Ehingen GmbH**, uncontrollable operation conditions on the ballast trailer can occur due to the heavy load!

The tires can be destroyed and the ballast trailer as well as the crane can be significantly damaged! Personnel can be severely injured or killed!

- ▶ Use only spare tires which have been approved in writing by **LIEBHERR-Werk Ehingen GmbH**!
- ▶ Using spare tires which have been not explicitly approved in writing by **LIEBHERR-Werk Ehingen GmbH** is prohibited!

NOTICE

Damage to tires!

Due to external environmental influences (for example: rain, wind, snow, frost, sun exposure) and the great weight load on the tires by the ballast trailer, the tires can become porous and the body can lose its original strength!

- ▶ The tires must be replaced according to the data of the tire manufacturer at least after 5 years, or if an expert representative of the tire manufacturer states in writing, after extensive inspection of the tires, that the tires can be utilized for an additional operation period stated by the expert representative!

**Note**

Tightening torque of ballast trailer tires!

- ▶ The tightening torque for the wheel lugs is 600 Nm !
- ▶ Check the wheel lugs according to the specified maintenance intervals for tight seating, see Crane operating instructions, chapter 7.02!

2.1 Tires with air inflation

It is imperative to comply with the following instructions:

- After extended downtime, the inflation pressure must be checked before using the ballast trailer.
- The tires must be protected against UV rays during extended downtimes with tarps or wooden boards.

**Note**

Inflation pressure of ballast trailer tires!

- ▶ The inflation pressure in all tires, which were approved in writing by **LIEBHERR-Werk Ebingen GmbH** is **10 bar** !
- ▶ Check the inflation pressure according to the specified maintenance intervals for tight seating, see Crane operating instructions, chapter 7.02!

**WARNING**

Risk of accident due to damaged ballast trailer tires!

Due to extended downtime of the crane, when the ballast trailer tires are not relieved with supports, the tires can get out of round!

As a result, the tires can be destroyed and the ballast trailer as well as the crane can be significantly damaged!

Personnel can be severely injured or killed!

- ▶ During extended downtimes, the ballast trailer tires must always be relieved by the outrigger supports!

**WARNING**

Risk of accident due to damaged ballast trailer tires!

When driving the crane on insufficiently prepared ground, the tires can become damaged or punctured by large rocks or other foreign matter!

As a result, the ballast trailer as well as the crane can be significantly damaged!

Personnel can be severely injured or killed!

- ▶ The travel route of the crane or the ballast trailer must be level, of sufficient load bearing capacity and free of rocks or other foreign matter!
- ▶ The travel route of the crane must be walked off personally in advance by the crane operator!
- ▶ Rocks and other foreign matter on the travel route must be removed before starting to travel!
- ▶ If the crane operator cannot ensure that the ballast trailer tires may not be damaged when moving the crane, then the ballast trailer tires must be foamed with a special foam approved by **LIEBHERR-Werk Ebingen GmbH**. Contact **LIEBHERR-Werk Ebingen GmbH** in this regard!
- ▶ If you decide to foam the ballast trailer tires, then ballast trailer operation is only permissible if all tires of the ballast trailer have been foamed according to the specifications of **LIEBHERR-Werk Ebingen GmbH**!

2.2 Tires foamed with special foam

The tires of the ballast trailer are foamed with a special, high quality foam.

Due to extended downtime of the crane, when the ballast trailer tires are not relieved with supports, the tires can get out of round.

It is imperative to comply with the following instructions:

- Relieve the tires on the ballast trailer if it is at a standstill for more than 2 h via the support cylinders.
- The tires must be protected against UV rays during extended downtimes with tarps or wooden boards.

**WARNING**

Mortal danger when using non-approved tire foams!

Due to the use of tire foams, which are not explicitly approved by **LIEBHERR-Werk Ebingen GmbH**, uncontrollable operation conditions on the ballast trailer can occur due to the heavy load!

The tires can be destroyed and the ballast trailer as well as the crane can be significantly damaged!

Personnel can be severely injured or killed!

- ▶ Use of spare tires filled with water, air or special foam of lower quality is prohibited!
- ▶ Using spare tires which have been not explicitly approved in writing by **LIEBHERR-Werk Ebingen GmbH** is prohibited!

**WARNING**

Danger of accidents due to retreaded tires!

If tires foamed with the special foam are retreaded, the usage properties can be significantly changed negatively!

The tires can be destroyed and the ballast trailer as well as the crane can be significantly damaged!

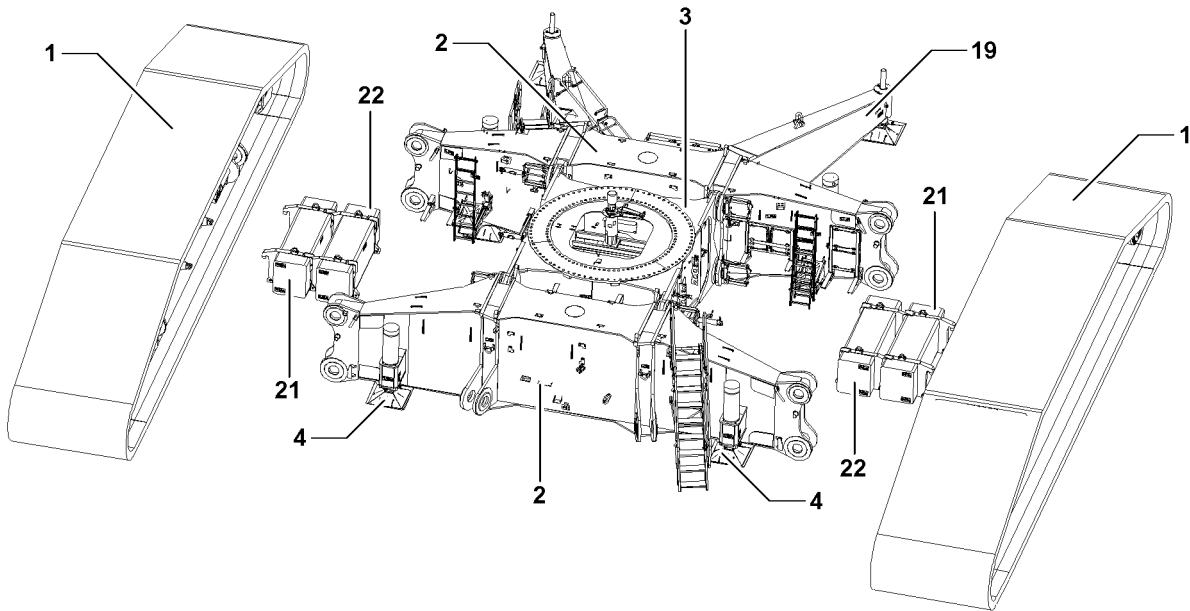
Personnel can be severely injured or killed!

- ▶ Tires which are filled with special foam may not be retreaded, except if a written approval has been issued by the tire manufacturer!
-

3 Crane assembly

LWE/LR 11350-005/190004-04-02/en

1



2

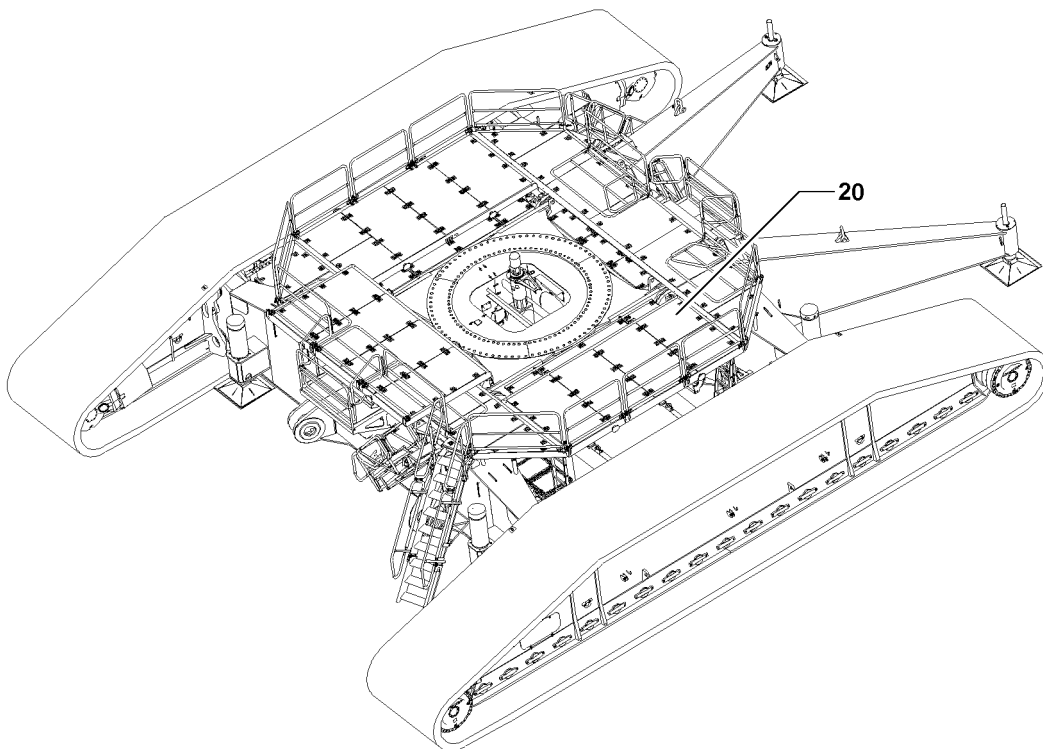


Fig.112751

LWE/LR 11350-005/19004-04-02/en

1 Component overview Crawler travel gear

- 1 Crawler carrier
- 2 Cross carrier
- 3 Crawler center section with turning device
- 4 Hydraulic assembly supports
- 19 Mechanical auxiliary support
- 20 Platform
- 21 Auxiliary weights
- 22 Auxiliary weights

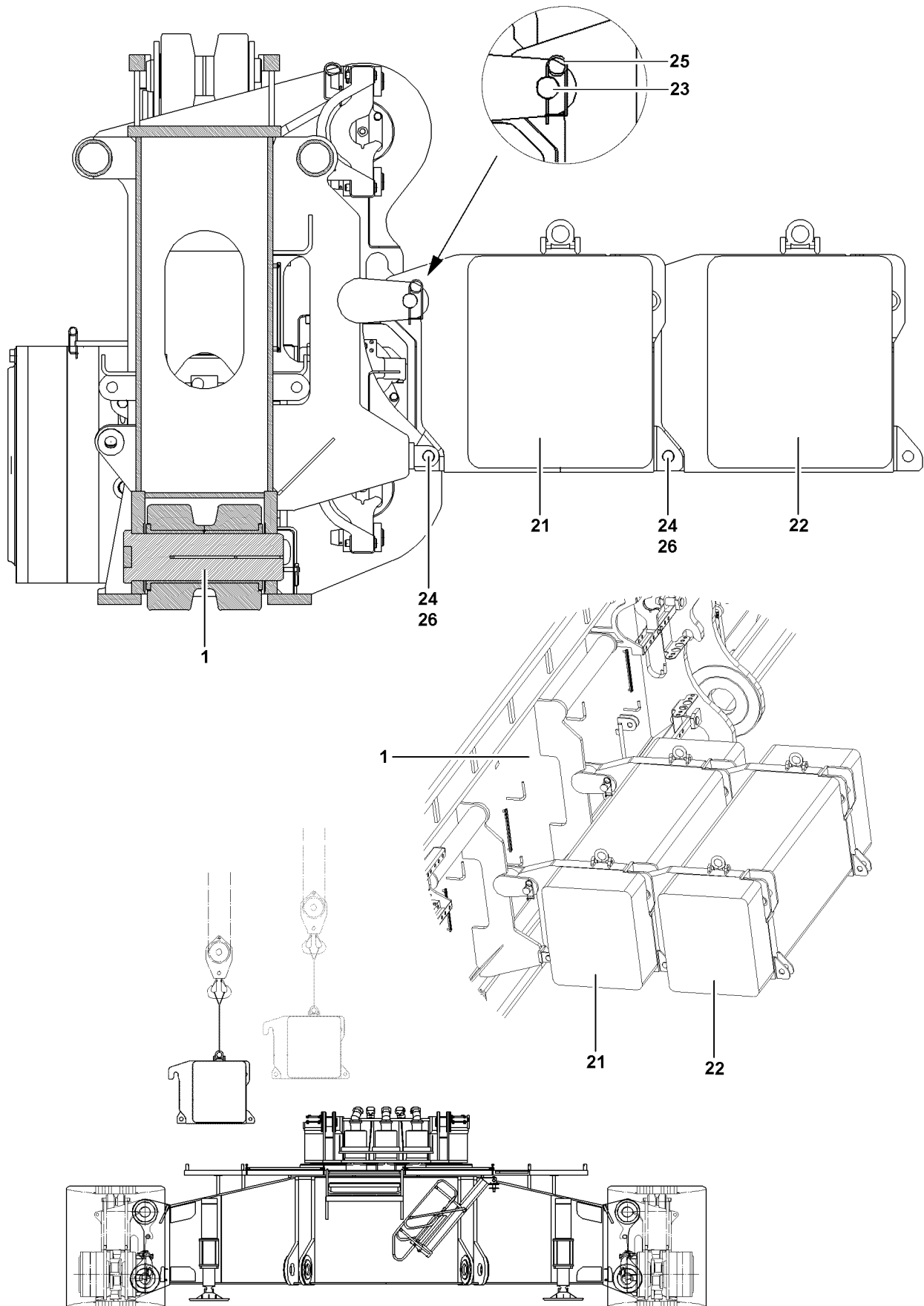


Fig.112752

LWE/LR 11350-005/19004-04-02/en

1.1 Component overview of auxiliary weights

- 21 Auxiliary weight
- 22 Auxiliary weight
- 23 Pin 23, 55 mm
- 24 Pin 24, 45 mm
- 25 Spring retainer
- 26 Linch pin

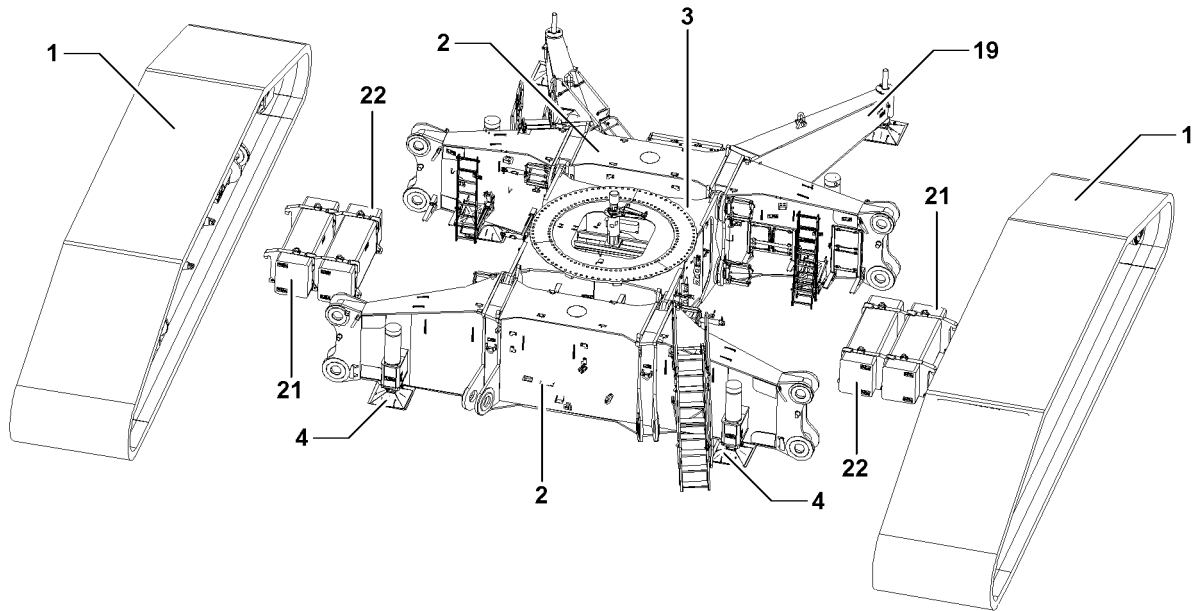
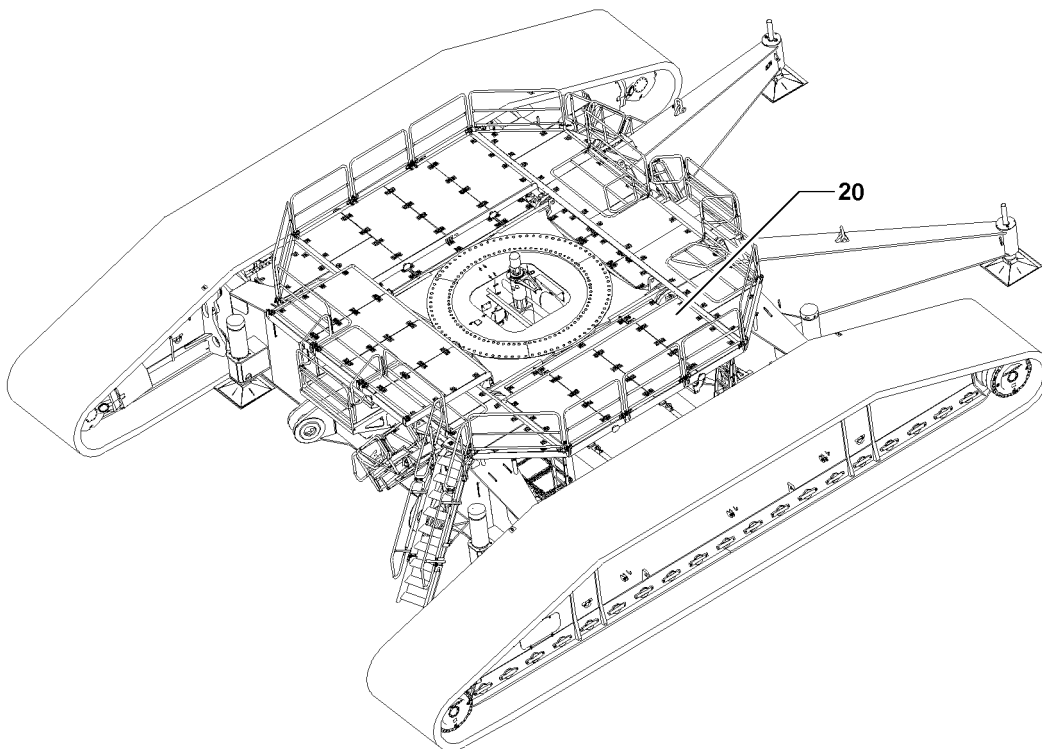
1**2**

Fig.112751

2 Installing the crawler travel gear



WARNING

Risk of falling!

During assembly / disassembly, inspection and maintenance work, personnel must be secured with appropriate aids to prevent them from falling! If this is not observed, assembly personnel could fall and suffer life-threatening or fatal injuries!

- ▶ The assembly personnel must always move carefully and anticipatory on the crane, the crane components or lattice sections!
- ▶ All work aloft, where there is a danger of falling must be carried out with suitable aids!
- ▶ If fall arrest equipment is available, then it must be used!
- ▶ If aids are not available and work cannot be carried out from the ground, then the assembly personnel must secure themselves with the permissible fall arrest system to prevent falling, see Crane operating instructions, chapter 2.04!
- ▶ The fall arrest system must be attached on the fastening and hook points as well as on the retaining ropes!
- ▶ Only step on the aids, ladders and catwalks with clean shoes!
- ▶ Keep aids, ladders and catwalks free of heavy dirt, snow and ice!



WARNING

Danger of impact / crushing!

When installing / removing crane components with the auxiliary crane, crane components can start to swing back and forth!

When lifting / lowering and positioning crane components, there is an increased danger of impacts / crushing!

Personnel can be caught and severely injured or killed!

- ▶ Make sure that personnel cannot be caught by components!
- ▶ When working in danger zones: Use aids to protect limbs!
- ▶ Guide components with suitable aids to minimize oscillation!

Make sure that the following prerequisites are met:

- The placement location must be level and have adequate load bearing capacity.
- An auxiliary crane is available.
- Suitable material must be available for the supporting base of the crawler center section.

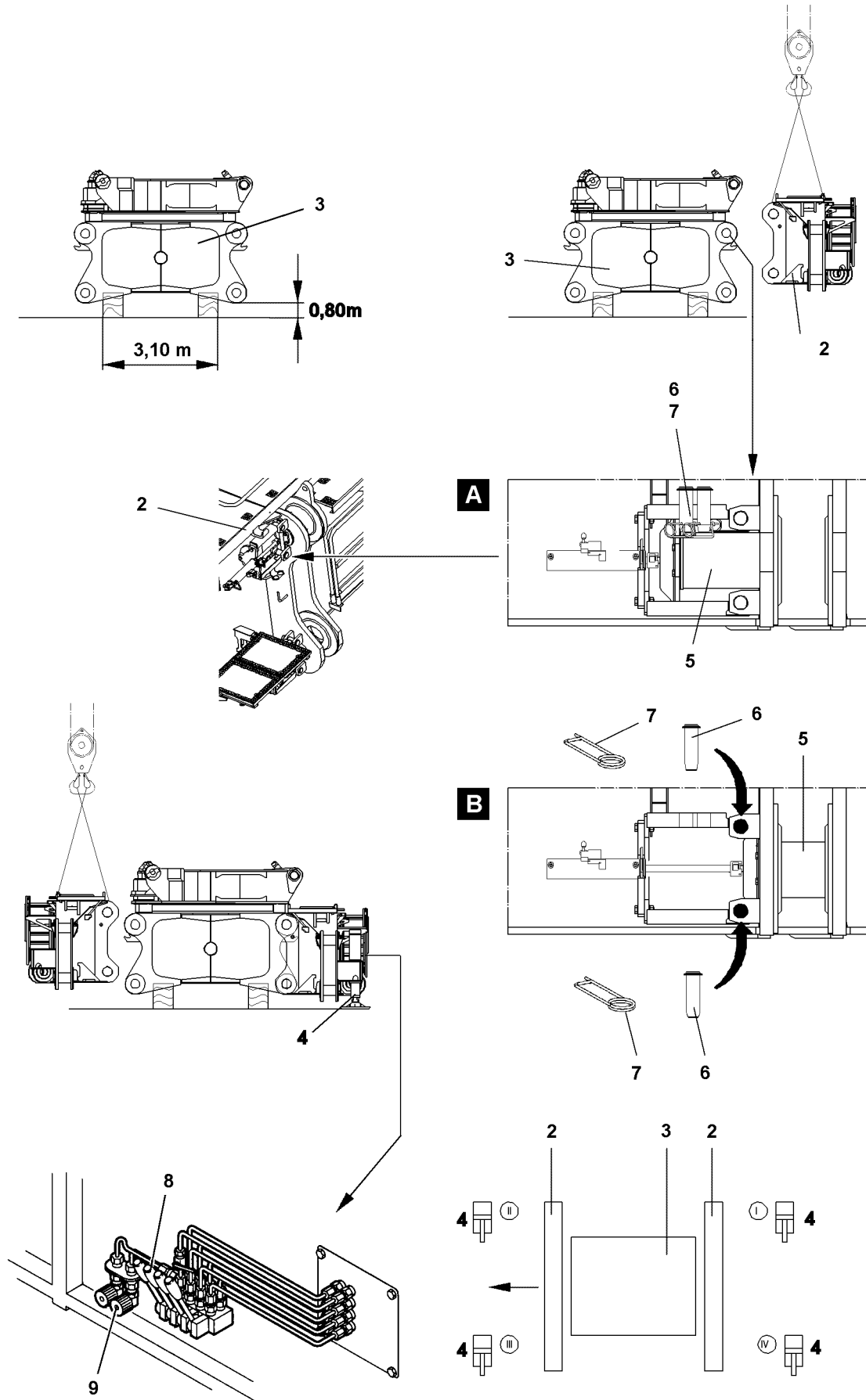


Fig.104442

LWE/LR 11350-005/19004-04-02/en

2.1 Supporting the crawler center section



WARNING

Improper support!

If the crawler center section is not properly supported from below, it can sink into the ground and severely injure personnel!

- ▶ The support must be able to safely take on the weight of the crawler center section, the turntable and the crawler carrier!
- ▶ The support must be made large enough for the ground conditions, with solid materials, such as wood, steel or concrete slabs, see Crane operating instructions, chapter 2.04!



Note

- ▶ It must be constructed in such a way that the cross carriers can be installed on the left and right without interference.
 - ▶ The support for the crawler center section must be built up to at least 0.80 m !
 - ▶ The distance between the support must be at least 3.10 m !
-
- ▶ Support the crawler center section **3** with hardwood timbers (or other suitable materials) from below.
 - ▶ Lift the crawler center section **3** with the auxiliary crane and set it onto the support.

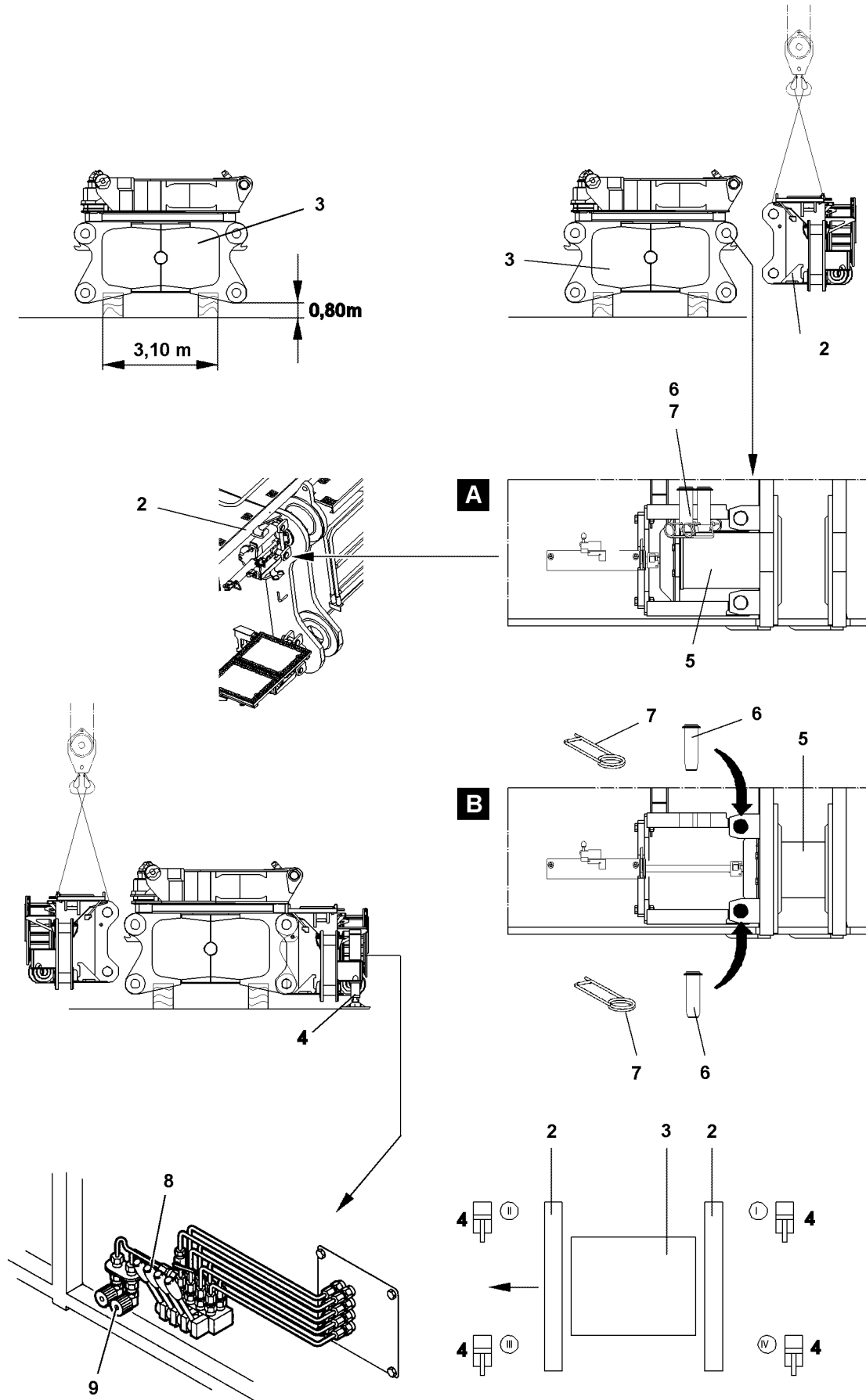


Fig.104442

LWE/LR 11350-005/19004-04-02/en

2.2 Installing the cross carrier

- ▶ **Hang the first** cross carrier **2** onto the auxiliary crane and swing it in to the pin points on the crawler center section **3** and attach.



Note

- ▶ Note the identification on the crawler center section and the cross carrier!
 - ▶ First install the cross carrier with the installed hydraulic connections. After assembly, the support cylinders must be moved out!
-
- ▶ Pin the cross carrier **2** on the crawler center section **3** „on top“: Insert the pins **5** with the hydraulic pin pulling device and secure with retaining pins **6**.
 - ▶ Secure the retaining pins **6** with spring retainers **7**.
 - ▶ Pin the cross carrier **2** on the crawler center section **3** „on the bottom“: Insert the pins **5** with the hydraulic pin pulling device and secure with retaining pins **6**.
 - ▶ Secure the retaining pins **6** with spring retainers **7**.



WARNING

Tipping of center section and cross carrier!

Without support with the assembly cylinders or without support below, the installed cross carrier can tip over! Personnel can be severely injured or killed!

- ▶ Support the cross carrier with the support cylinders or support it properly from below!
-
- ▶ Support the support plates properly from below.
 - ▶ Connect the hydraulic assembly support **4** to the hydraulic component of the pin pulling device - quick coupling **9**.
 - ▶ Actuate the hand lever **8** and extend both support cylinders to the ground or the foundation support.
 - ▶ **Hang the second** cross carrier **2** onto the auxiliary crane and swing it in to the pin points on the crawler center section **3** and attach.
 - ▶ Pin the cross carrier **2** on the crawler center section **3** „on top“: Insert the pins **5** with the hydraulic pin pulling device and secure with retaining pins **6**.
 - ▶ Secure the retaining pins **6** with spring retainers **7**.
 - ▶ Pin the cross carrier **2** on the crawler center section **3** „on the bottom“: Insert the pins **5** with the hydraulic pin pulling device and secure with retaining pins **6**.
 - ▶ Secure the retaining pins **6** with spring retainers **7**.
 - ▶ Support the support plates properly from underneath.
 - ▶ Operate the hand lever **8**, extend the assembly cylinders and horizontally lift the center section with the attached cross carriers.
 - ▶ Remove the support under the center section.

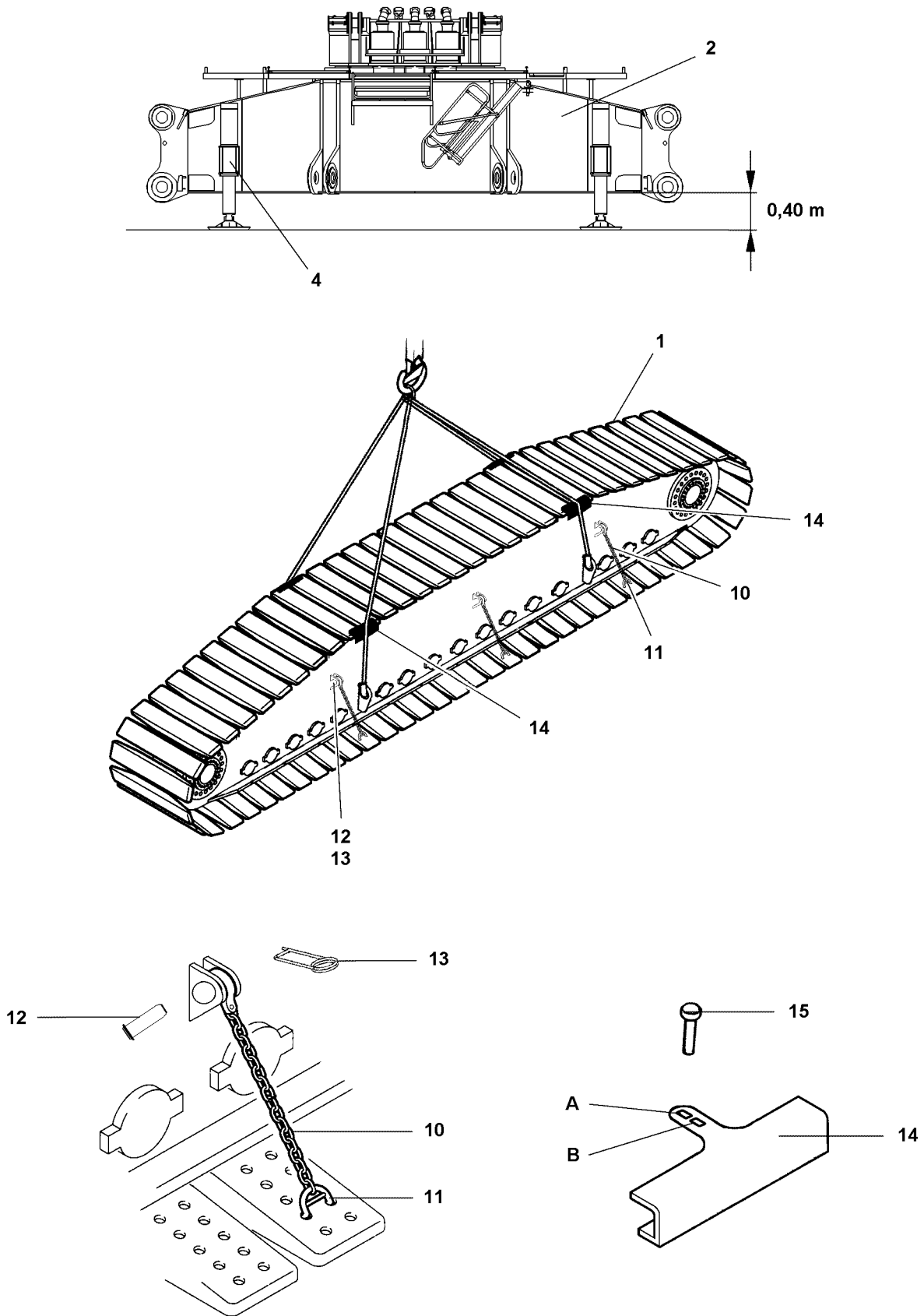


Fig.102672

LWE/LR 11350-005/19004-04-02/en

2.3 Assembling the crawler carrier

The crawler carriers can be installed two ways:

- The crawler carriers are installed with the auxiliary crane.
- The crawler carriers are installed with the SA-frame.



WARNING

Improper support!

If the crawler center section is not properly supported from below, it can sink into the ground and severely injure personnel!

- ▶ The support must be able to safely take on the weight of the crawler center section, the turntable and the crawler carrier!
- ▶ The support must be made large enough for the ground conditions, with solid materials, such as wood, steel or concrete slabs, see Crane operating instructions, chapter 2.04!

2.3.1 Installing the crawler carrier with the auxiliary crane

Make sure that the following prerequisite is met:

- The turntable has been removed.

Preparing for the installation of the crawler carrier with the auxiliary crane

- ▶ Connect the hydraulic assembly support **4** on the hydraulic aggregate of the pin pulling device - quick couplings.



Note

- ▶ Three chains must be hooked for each crawler carrier side!
- ▶ Secure the crawler carrier plates with chains **10** to prevent them from hanging down. Hang the chain **10** with bracket **11** on 3 lower track pads on both sides.
- ▶ Pin the other end of the chain on the crawler carrier: Insert the pin **12** and secure with spring retainer **13**.
- ▶ Attach the guard plate **14** on the upper track pads.



Note

- ▶ The retaining pins **15** are inserted at a track pad width of 2.0 m in bore **A**.
- ▶ The retaining pins **15** are inserted at a track pad width of 1.5 m in bore **B**.
- ▶ Insert spring retainer **15**.
- ▶ Pin the fastening equipment on the crawler carrier and guide over the guard plates **14**.
- ▶ Lift the crawler center section and cross carriers with the support cylinders to at least 0.40 m and align horizontally.

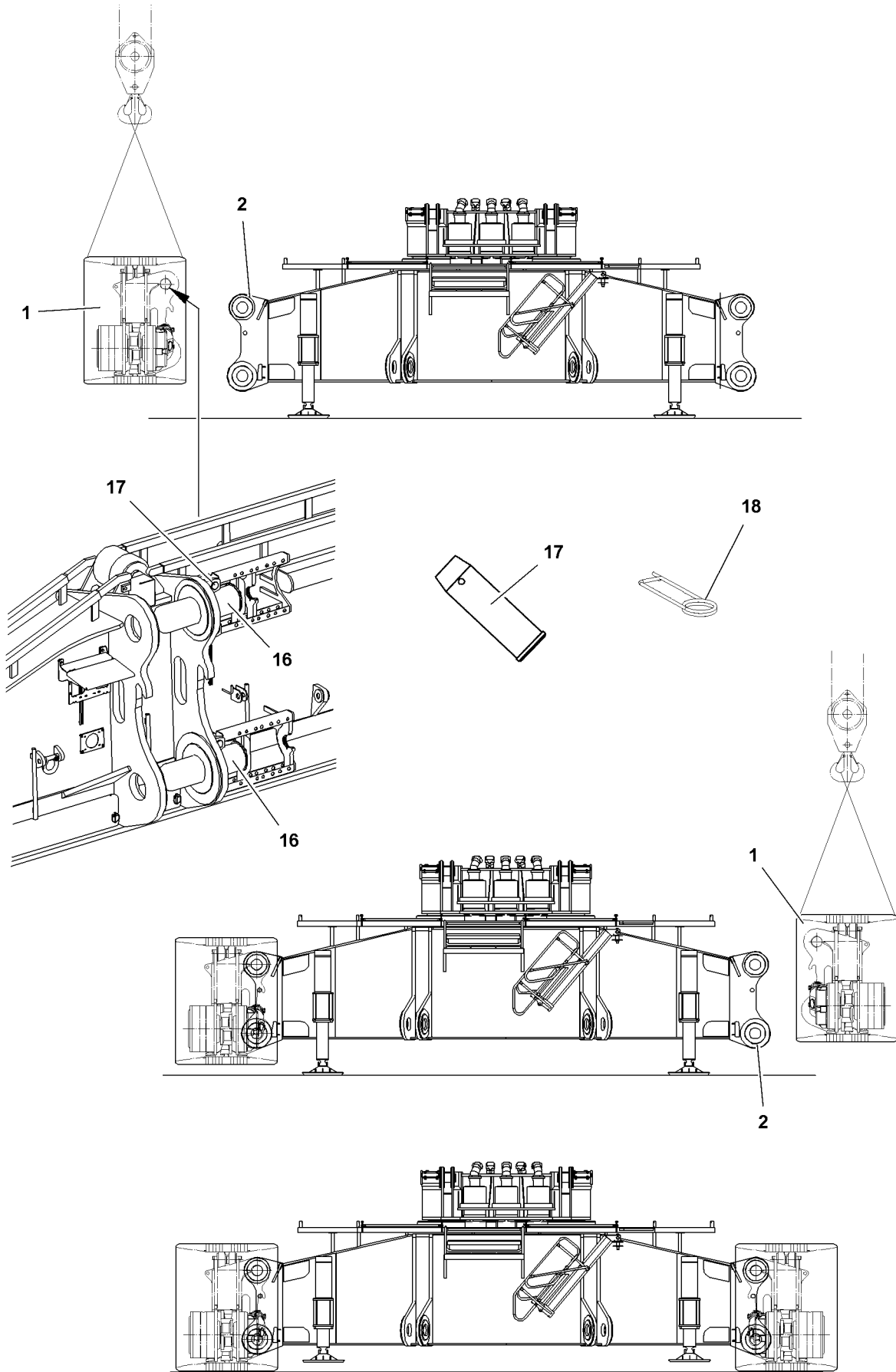


Fig.102673

Installing the crawler carrier with the auxiliary crane



WARNING

The guard plates are not installed!

If the crawler carriers are lifted without the guard plates, then the fastening equipment can be damaged or rip off! Personnel can be severely injured or killed!

- ▶ It is prohibited for anyone to remain under the crawler carrier as well as within the complete danger zone during assembly and disassembly!

Make sure that the following prerequisites are met:

- The support cylinders are raised by at least 0.40 m and the crane is horizontally aligned.
- The track pads are secured with chains to prevent them from hanging down.
- The guard plates for the fastening equipment are installed on the upper track pads.



Note

- ▶ Note the identification on the crawler carrier and the cross carrier.
- ▶ Hang the first crawler carrier **1** onto the auxiliary crane and swing in to the pin points on the cross carrier **2** and attach.
- ▶ Pin the crawler carrier **1** on the cross carrier **2** „on top“: Insert the pins **16** with the hydraulic pin pulling device and secure with retaining pins **17**.
- ▶ Secure the retaining pins **17** with spring retainers **18**.
- ▶ Fasten the second crawler carrier **1** onto the auxiliary crane and swing in to the pin points on the cross carrier **2** and attach.
- ▶ Pin the crawler carrier **1** on the cross carrier **2** „on the bottom“: Insert the pins **16** with the hydraulic pin pulling device and secure with retaining pins **17**.
- ▶ Secure the retaining pins **17** with spring retainers **18**.
- ▶ Retract the support cylinders fully and set the crawler carrier **1** down on the ground.
- ▶ Remove the fastening equipment and guard plates **14**.
- ▶ Unpin the chains **10** and disengage the bracket **11** on the track pads.

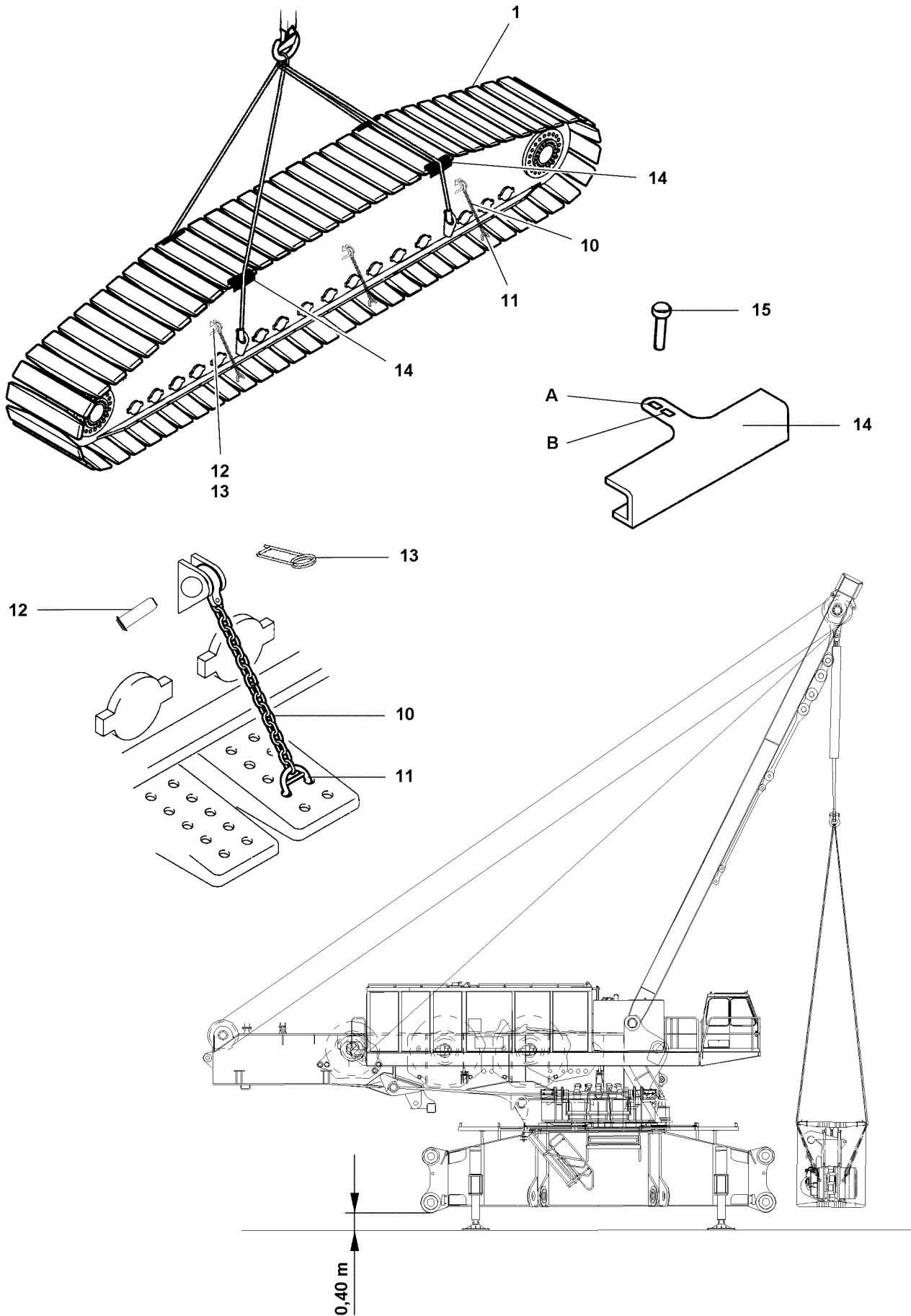


Fig.112753

LWE/LR 11350-005/19004-04-02/en

2.3.2 Installing the crawler carrier with the SA-frame

Make sure that the following prerequisites are met:

- The cross carriers are installed.
- The crawler center section and the cross carriers are horizontally aligned.
- The turntable is installed.



Note

- ▶ Install the turntable, see Crane operating instructions, chapter 3.02!

Preparing for the installation of the crawler carriers with SA-frame



WARNING

The crane can topple over!

When turning the turntable with installed counterweight on the turntable, the crane can topple over! Personnel can be severely injured or killed!

- ▶ Make sure that the counterweight on the turntable has been removed!

- ▶ Turn the turntable in lengthwise direction to the cross carriers.
- ▶ Set the assembly operating mode on the LICCON computer system according to the load chart.
- ▶ Set the SA-frame up and lower it forward above the crawler carriers to be lifted.



Note

- ▶ To set up the SA-frame, see Crane operating instructions, chapter 5.02!
- ▶ The maximum forward radius of the SA-frame is 9 m !

- ▶ Move the support cylinder out until the crawler center section and the cross carriers are raised horizontally by at least 0.40 m evenly above the ground.
- ▶ Attach the fastening equipment on the crawler carrier.
- ▶ Carry out the instructions, see section „Preparing for installation of the crawler carrier with the auxiliary crane“.

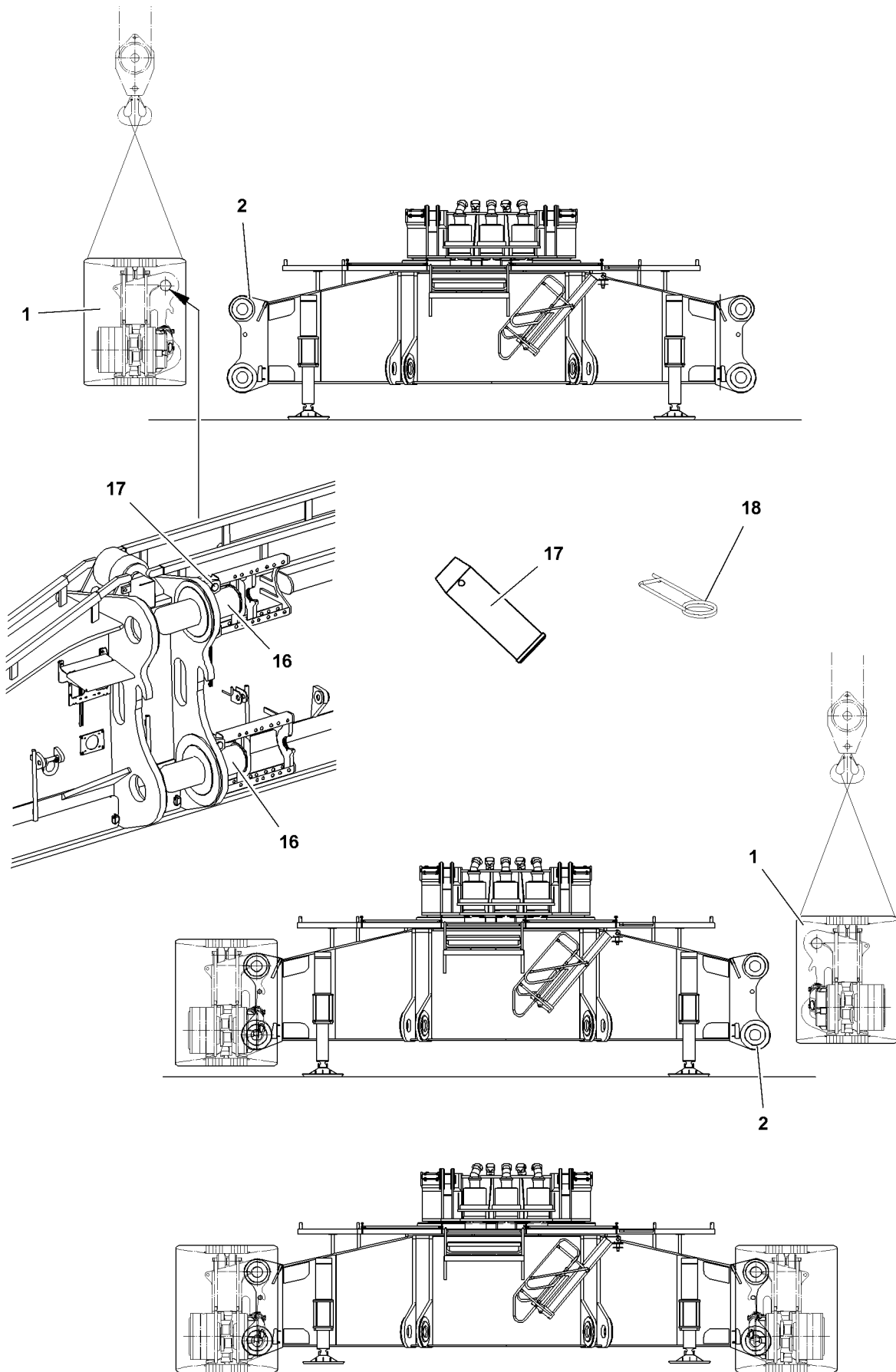


Fig.102673

LWE/LR 11350-005/19004-04-02/en

Installing the crawler carrier with the SA-frame

Make sure that the following prerequisites are met:

- The support cylinders are raised by at least 0.40 m and the crane is horizontally aligned.
- The track pads are secured with chains to prevent them from hanging down.
- The guard plates for the fastening equipment are installed on the upper track pads.



WARNING

The guard plates are not installed!

If the crawler carriers are lifted without the guard plates, then the fastening equipment can be damaged or rip off! Personnel can be severely injured or killed!

- ▶ It is prohibited for anyone to remain under the crawler carrier as well as within the complete danger zone during assembly and disassembly!



Note

- ▶ Note the identification on the crawler carrier and the cross carrier.
- ▶ Fasten the first crawler carrier **1** on the assembly cylinder and swing it in to the pin points on the cross carrier **2** and attach.
- ▶ Pin the first crawler carrier **1** on the cross carrier **2** „on top“: Insert the pins **16** with the hydraulic pin pulling device and secure with retaining pins **17**.
- ▶ Secure the retaining pins **17** with spring retainers **18**.
- ▶ Turn the turntable by 180°.
- ▶ Hang the second crawler carrier **1** on the auxiliary crane and swing it in to the pin points on the cross carrier **2** and attach.
- ▶ Pin the second crawler carrier **1** on the cross carrier **2** „on the bottom“: Insert the pins **16** with the hydraulic pin pulling device and secure with retaining pins **17**.
- ▶ Secure the retaining pins **17** with spring retainers **18**.
- ▶ Retract the support cylinders fully and set the crawler carrier **1** down on the ground.
- ▶ Remove the fastening equipment and guard plates **14**.
- ▶ Unpin the chains **10** and disengage the bracket **11** on the track pads.

Fig.195219

LWE/LR 11350-005/19004-04-02/en

2.3.3 Establish the electrical connections to the crawler carriers

**Note**

- ▶ To establish the electrical connections on the crawler carriers, see Electric wiring diagram!

Make sure that the following prerequisite is met:

- Both crawler carriers are properly installed, pinned and secured.
- ▶ Establish the electrical connections.

2.3.4 Establishing the hydraulic connections to the crawler carriers

When connecting and releasing hydraulic lines with quick-release couplings, make sure that the uncoupling procedure is carried out correctly.

**WARNING**

Pressure in the hydraulic lines!

If the pressure supply is not interrupted before connecting / releasing the hydraulic lines, the hydraulic oil can escape with high pressure!

Personnel can be severely injured or killed!

- ▶ Release the pressure in the hydraulic system before connecting / disconnecting: Interrupt the pressure supply and wait for a short time!
- ▶ Connect the coupling components (sleeve and connector) and screw together with the hand-tightened nut.
- ▶ Tighten the hydraulic couplings by hand. Rotate the hand-tightened nut until it reaches a tangible, fixed stop position.
- ▶ Establish the hydraulic connections.

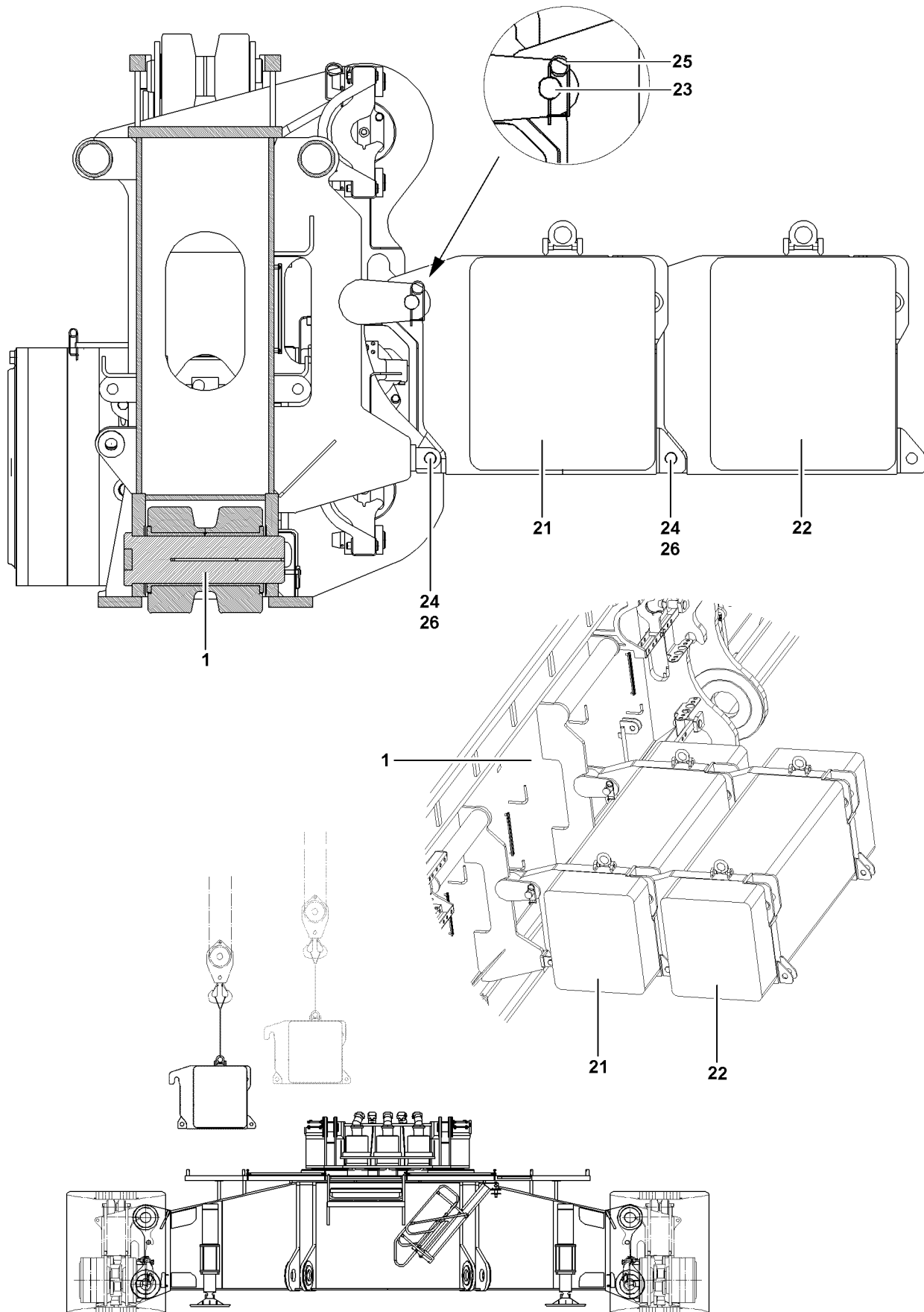


Fig.112752

LWE/LR 11350-005/19004-04-02/en

2.4 Installing the auxiliary weights



WARNING

Tipping of crawler carrier!

- ▶ If the auxiliary weights are installed on the freestanding crawler carrier, then the crawler carrier tips over! Personnel can be severely injured or killed!
- ▶ Install the auxiliary weights when the crawler carriers are pinned and secured on the cross carriers!



WARNING

Lifting of both auxiliary weights!

If both auxiliary weights are lifted together with the auxiliary crane, then the components can be overloaded! The auxiliary weights can fall down!

The crane can be damaged!

Personnel can be severely injured or killed!

- ▶ Install the auxiliary weights individually!



WARNING

Staying between the cross carriers!

When lifting the auxiliary weights from the installation area between the cross carriers, limbs can be crushed or severed! Personnel can be severely injured or killed!

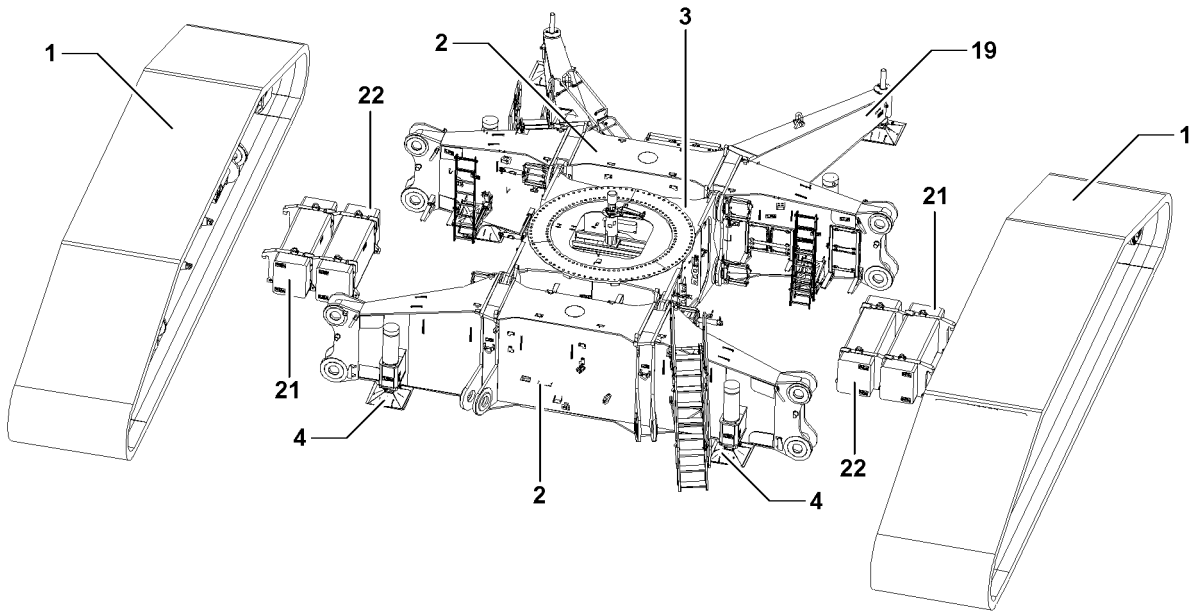
- ▶ It is prohibited for anyone to remain between the cross carriers when installing or removing the auxiliary weights!

Make sure that the following prerequisite is met:

- The crawler carriers are pinned on the cross carriers.

- ▶ Pin the auxiliary weight „on top“ on the crawler carrier: Insert the pin **23** and secure with spring retainer **25**.
- ▶ Attach the auxiliary weight **21** on the auxiliary crane.
- ▶ Swing the first auxiliary weight with the auxiliary crane to the crawler carrier.
- ▶ Hang the auxiliary weight **21** on the pin **2**.
- ▶ Pin the auxiliary weight „on the bottom“ on the crawler carrier: Insert the pin **24** and secure with lynch pin **26**.
- ▶ Hang the second auxiliary weight on the first auxiliary weight and pin „on the bottom“: Insert the pin **24** and secure with lynch pin **26**.
- ▶ Install the auxiliary weights on the second crawler carrier.
- ▶ Install the platforms, see Crane operating instructions, chapter 2.06.

1



2

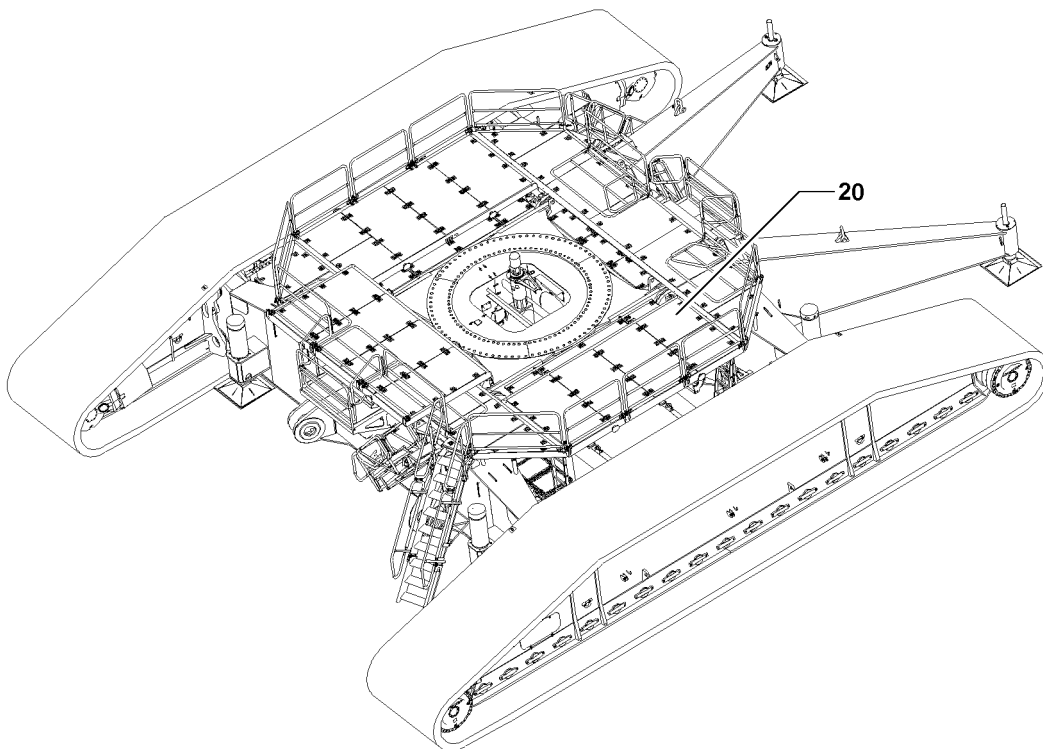


Fig.112751

LWE/LR 11350-005/19004-04-02/en

3 Removing the crawler travel gear



WARNING

Risk of falling!

During assembly / disassembly, inspection and maintenance work, personnel must be secured with appropriate aids to prevent them from falling! If this is not observed, assembly personnel could fall and suffer life-threatening or fatal injuries!

- ▶ The assembly personnel must always move carefully and anticipatory on the crane, the crane components or lattice sections!
- ▶ All work aloft, where there is a danger of falling must be carried out with suitable aids!
- ▶ If fall arrest equipment is available, then it must be used!
- ▶ If aids are not available and work cannot be carried out from the ground, then the assembly personnel must secure themselves with the permissible fall arrest system to prevent falling, see Crane operating instructions, chapter 2.04!
- ▶ The fall arrest system must be attached on the fastening and hook points as well as on the retaining ropes!
- ▶ Only step on the aids, ladders and catwalks with clean shoes!
- ▶ Keep aids, ladders and catwalks free of heavy dirt, snow and ice!



WARNING

Danger of impact / crushing!

When installing / removing crane components with the auxiliary crane, crane components can start to swing back and forth!

When lifting / lowering and positioning crane components, there is an increased danger of impacts / crushing!

Personnel can be caught and severely injured or killed!

- ▶ Make sure that personnel cannot be caught by components!
- ▶ When working in danger zones: Use aids to protect limbs!
- ▶ Guide components with suitable aids to minimize oscillation!



Note

- ▶ Remove the platforms, see Crane operating instructions, chapter 2.06!

Make sure that the following prerequisites are met:

- The platforms **20** on the crawler travel gear are removed.
- The placement location must be level and have adequate load bearing capacity.
- An auxiliary crane is available.

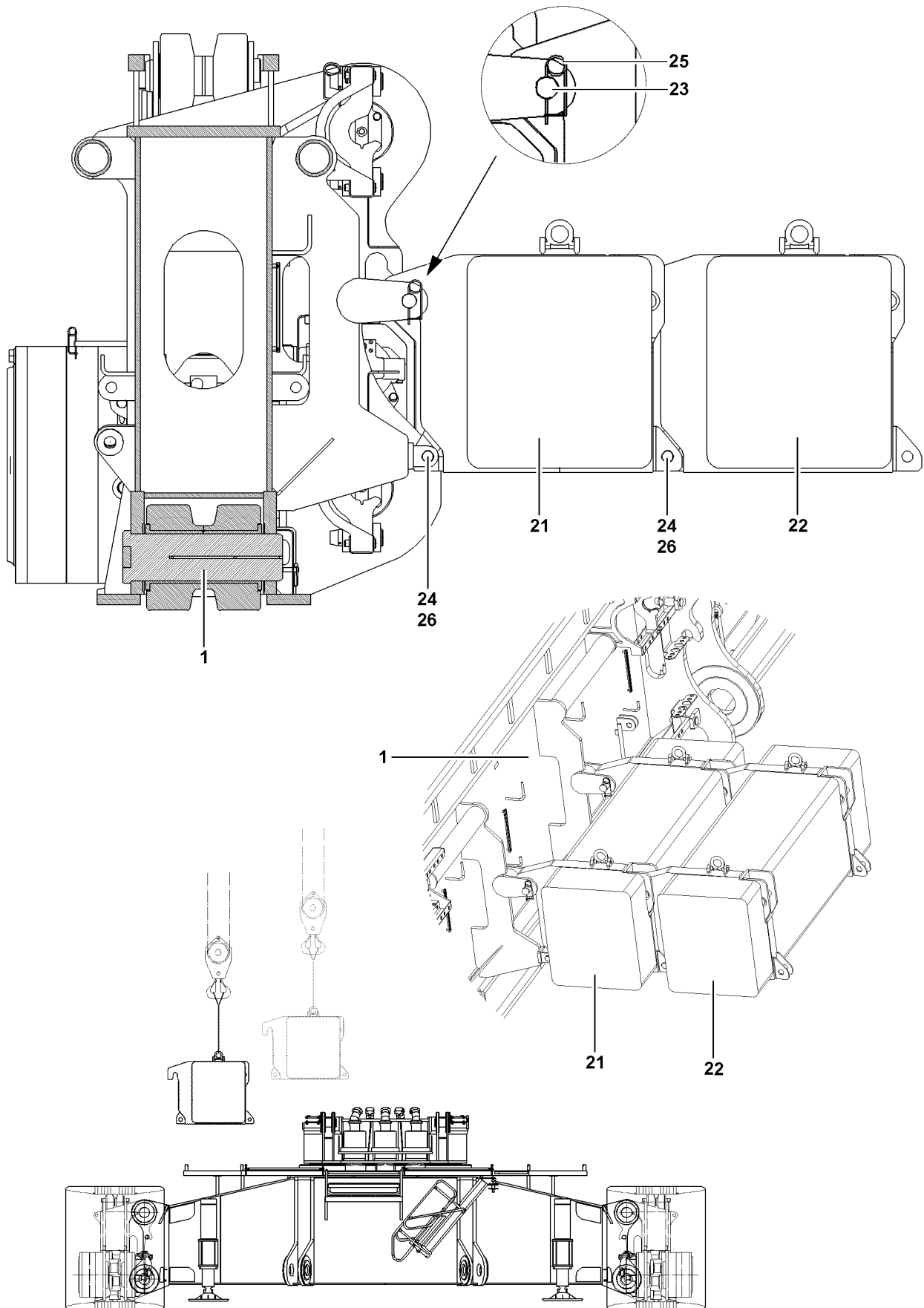


Fig.112752

LWE/LR 11350-005/19004-04-02/en

3.1 Removing the auxiliary weights

Make sure that the following prerequisite is met:

- The platforms on the crawler travel gear are removed.



WARNING

Lifting of both auxiliary weights!

If both auxiliary weights are lifted together with the auxiliary crane, then the components can be overloaded! The auxiliary weights can fall down!

The crane can be damaged!

Personnel can be severely injured or killed!

- ▶ Remove the auxiliary weights individually!



WARNING

Staying between the cross carriers!

When lifting the auxiliary weights from the installation area between the cross carriers, limbs can be crushed or severed! Personnel can be severely injured or killed!

- ▶ It is prohibited for anyone to remain between the cross carriers when installing or removing the auxiliary weights!

The auxiliary weight **22** is hung and pinned on the auxiliary weight **21**.

- ▶ Attach the auxiliary weight **22** on the auxiliary crane.
- ▶ Tension the fastening equipment until the auxiliary weight **22** is secured with the auxiliary crane.
- ▶ Unpin the auxiliary weight **22** „on the bottom“: Release and unpin the pin **24**.
- ▶ Lift the auxiliary weight **22** with the auxiliary crane and disengage on the auxiliary weight **21**.
- ▶ Remove the auxiliary weight **22**.

The auxiliary weight **21** is hung and pinned on the crawler carrier **1**.

- ▶ Attach the auxiliary weight **21** on the auxiliary crane.
- ▶ Tension the fastening equipment until the auxiliary weight **21** is secured with the auxiliary crane.
- ▶ Unpin the auxiliary weight **21** „on the bottom“: Release and unpin the pin **24**.
- ▶ Lift the auxiliary weight **21** with the auxiliary crane and disengage on the crawler carrier **1**.
- ▶ Remove the auxiliary weight **21**.
- ▶ Remove the auxiliary weights on the second crawler carrier.

Fig.195219

LWE/LR 11350-005/19004-04-02/en

3.2 Disconnecting the electrical connections on the crawler carriers

**Note**

- ▶ To disconnect the electrical connections on the crawler carriers, see Electric wiring diagram!
- ▶ Establish the electrical connections.

3.3 Disconnecting the hydraulic connections on the crawler carriers

When connecting and releasing hydraulic lines with quick-release couplings, make sure that the uncoupling procedure is carried out correctly.

**WARNING**

Pressure in the hydraulic lines!

If the pressure supply is not interrupted before connecting / releasing the hydraulic lines, the hydraulic oil can escape with high pressure!

Personnel can be severely injured or killed!

- ▶ Release the pressure in the hydraulic system before connecting / disconnecting: Interrupt the pressure supply and wait for a short time!
- ▶ Install the coupling components (sleeve and connector) with the hand-tightened nut.
- ▶ Disconnect the hydraulic connections.
- ▶ Install dust caps on the quick-release couplings.

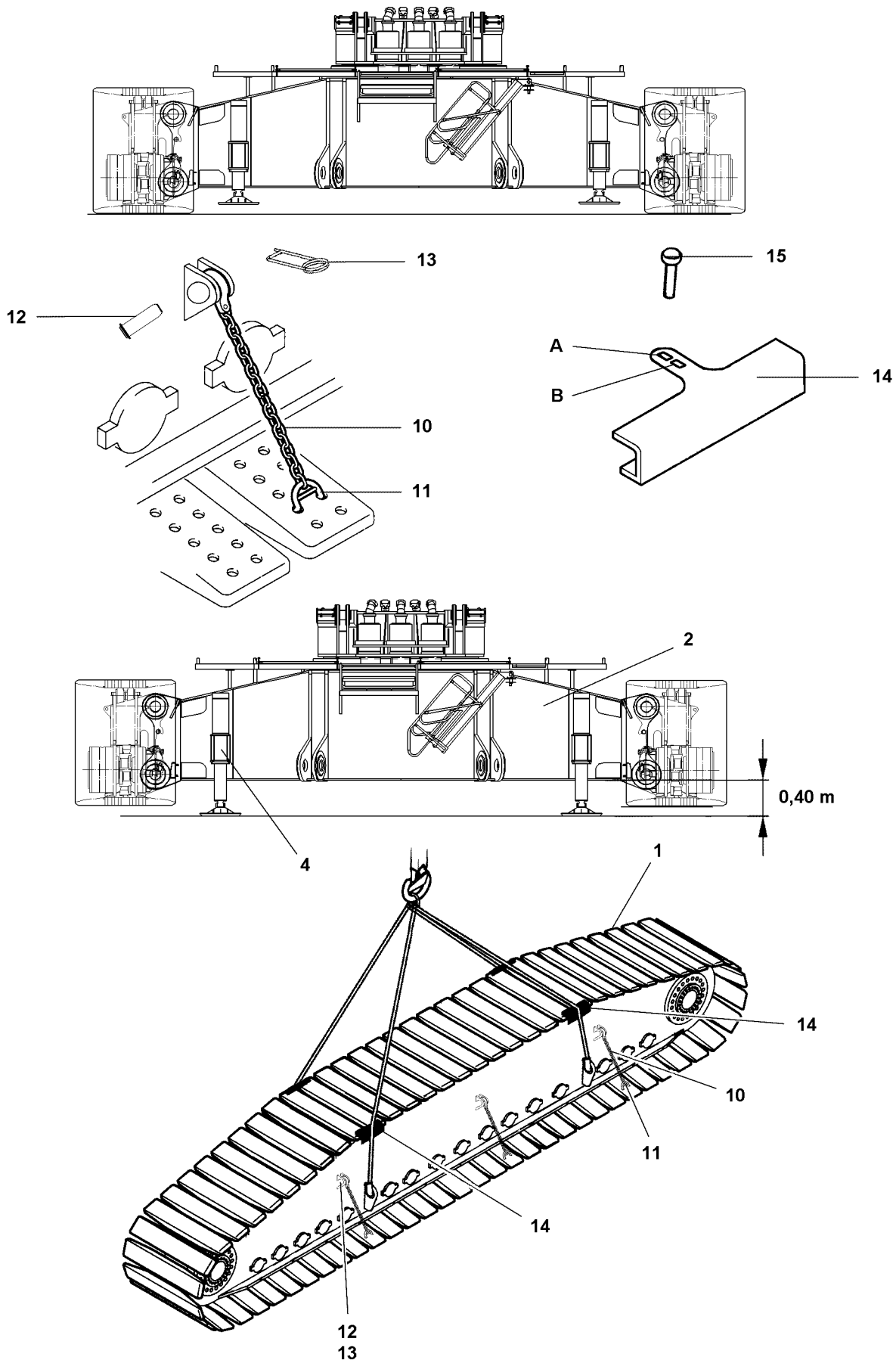


Fig.102766

LWE/LR 11350-005/19004-04-02/en

3.4 Disassembling the crawler carrier

The crawler carriers can be removed two ways:

- The crawler carriers are removed with the auxiliary crane.
- The crawler carriers are removed with the SA-frame.



WARNING

Tipping of crawler carrier!

If the auxiliary weights are installed when removing the crawler carriers, the crawler carrier tips over! Personnel can be severely injured or killed!

- ▶ Remove the auxiliary weights before removing the crawler carriers!



WARNING

Improper support!

If the crawler center section is not properly supported from below, it can sink into the ground and severely injure personnel!

- ▶ The supporting base must be able to safely take on the weight of the crawler center section, the turntable and the crawler carrier!
- ▶ The support must be made large enough for the ground conditions, with solid materials, such as wood, steel or concrete slabs, see Crane operating instructions, chapter 2.04!

Make sure that the following prerequisites are met:

- The auxiliary weights have been removed.
- Suitable material must be available for the supporting base of the crawler center section.

3.4.1 Removing the crawler carrier with the auxiliary crane

Make sure that the following prerequisites are met:

- The turntable has been removed.
- The crawler center section and the cross carriers are horizontally aligned.

Preparing for the removal of the crawler carriers with the auxiliary crane



Note

- ▶ Three chains must be hooked for each crawler carrier side!

- ▶ Secure the track pads with chains **10** to prevent them from hanging down. Hang the chain **10** with bracket **11** on 3 lower track pads on both sides.
- ▶ Pin the other end of the chain on the crawler carrier: Insert the pin **12** and secure with spring retainer **13**.



Note

- ▶ The retaining pins **15** are inserted at a track pad width of 2.0 m in bore **A**.
- ▶ The retaining pins **15** are inserted at a track pad width of 1.5 m in bore **B**.

- ▶ Fasten the guard plate **14** on the upper track pads: Insert spring retainer **15**.
- ▶ Pin the fastening equipment on the crawler carrier and guide over the guard plates **14**.
- ▶ Support the support plates properly from underneath.
- ▶ Connect the hydraulic assembly support **4** on the hydraulic aggregate of the pin pulling device - quick couplings.
- ▶ Lift the crawler center section and cross carriers with the support cylinders to at least 0.40 m and align horizontally.

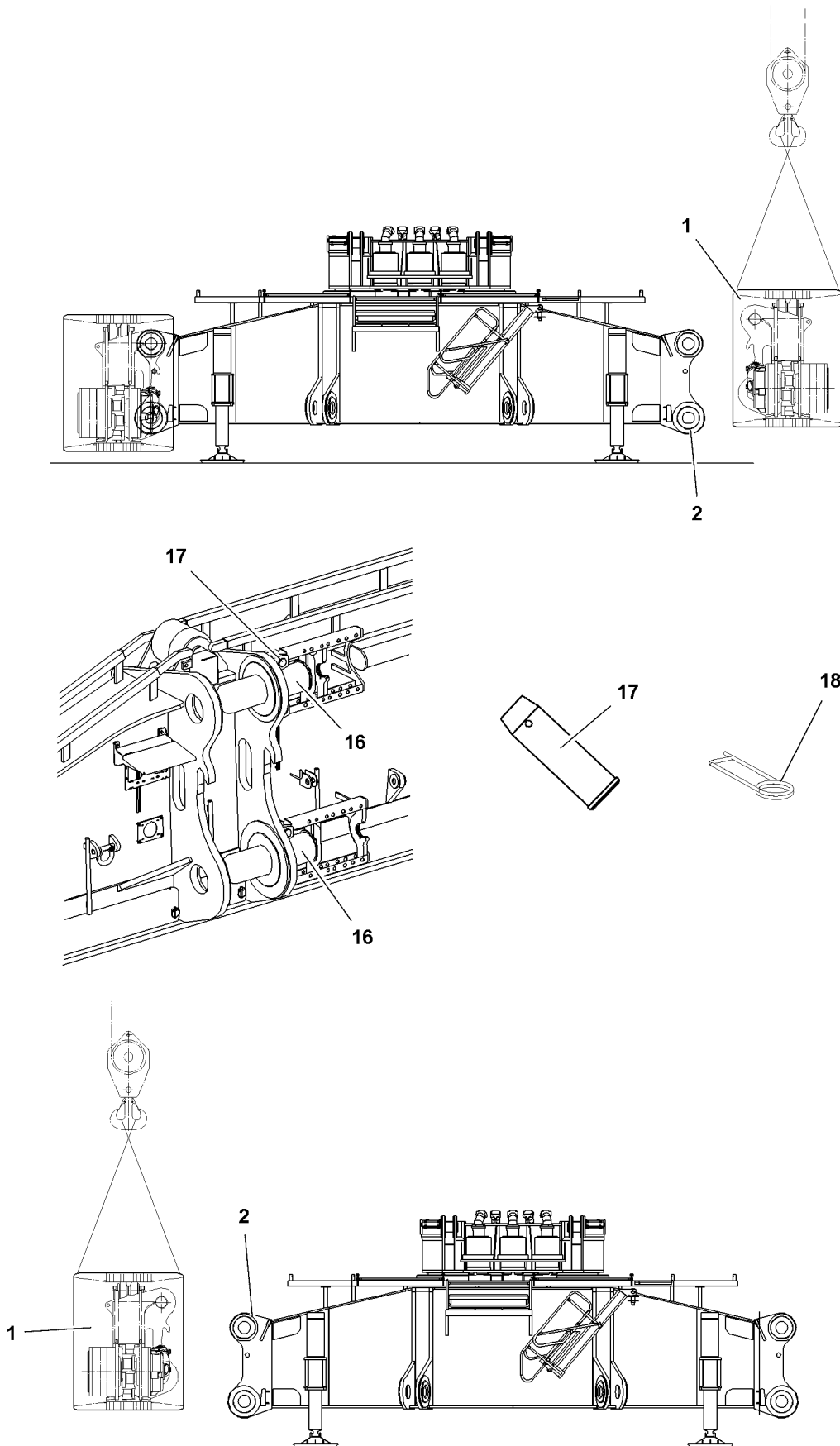


Fig.102769

LWE/LR 11350-005/19004-04-02/en

Removing the crawler carrier with the auxiliary crane



WARNING

The guard plates are not installed!

If the crawler carriers are lifted without the guard plates, then the fastening equipment can be damaged or rip off! Personnel can be severely injured or killed!

- ▶ It is prohibited for anyone to remain under the crawler carrier as well as within the complete danger zone during assembly and disassembly!

Make sure that the following prerequisites are met:

- The crawler center section and the cross carriers are horizontally aligned.
- The crawler center section and cross carriers are lifted at least 0.40 m above the ground.
- ▶ Attach the **first** crawler carrier **1** on the auxiliary crane and tension with the fastening equipment.
- ▶ Release the pin **16** „on the bottom“: Remove the spring retainer **18** and unpin the retaining pin **17**.
- ▶ Unpin the crawler carrier **1** on the cross carrier **2** „on the bottom“: Unpin the pin **16** with the hydraulic pin pulling device.
- ▶ Release the pin **16** „on top“: Remove the spring retainer **18** and unpin the retaining pin **17**.
- ▶ Unpin the crawler carrier **1** on the cross carrier **2** „on top“: Unpin the pin **16** with the hydraulic pin pulling device.
- ▶ Carefully swing out the crawler carrier **1** on the pin points on the cross carrier **2**.
- ▶ Set the crawler carrier **1** down on the ground.
- ▶ Remove the fastening equipment.
- ▶ Attach the **second** crawler carrier **1** on the auxiliary crane and tension with the fastening equipment.
- ▶ Unpin the second crawler carrier.
- ▶ Carefully swing out the crawler carrier **1** on the pin points on the cross carrier **2**.
- ▶ Set the crawler carrier **1** down on the ground.
- ▶ Remove the fastening equipment.

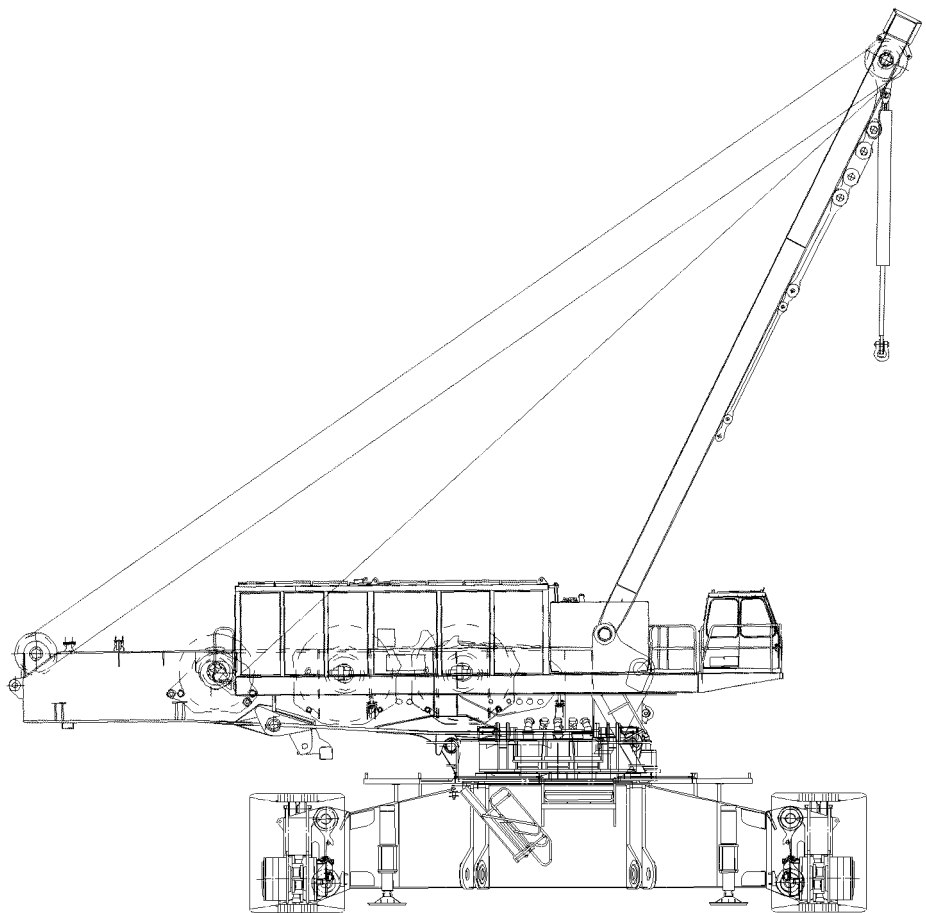


Fig.102860

3.4.2 Removing the crawler carriers with the SA-frame

Make sure that the following prerequisites are met:

- The turntable is installed.
- The boom and the derrick are removed on the turntable.
- The counterweight on the turntable has been removed.

**Note**

- Install the turntable, see Crane operating instructions, chapter 3.02!
-

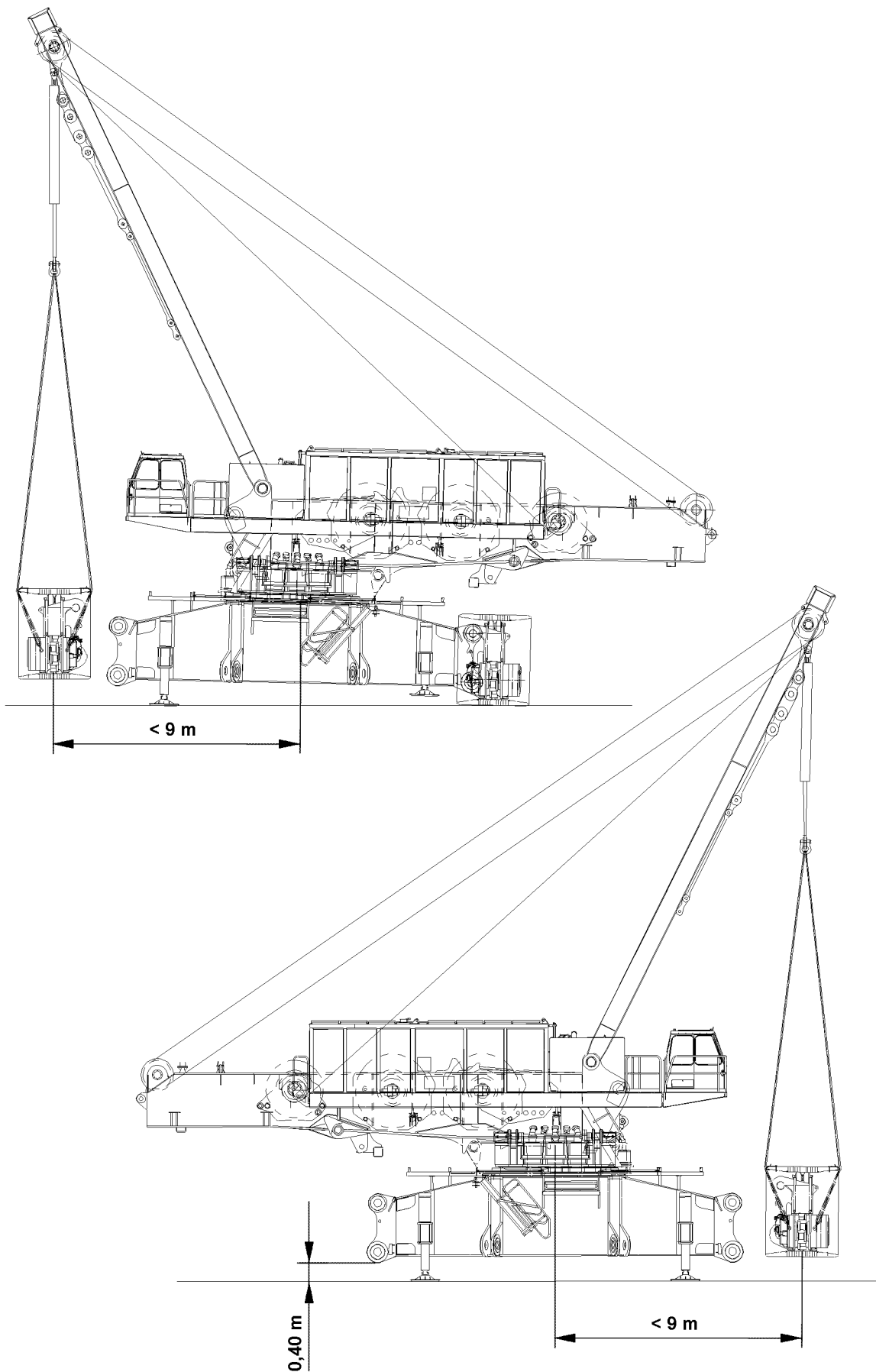


Fig.102861

LWE/LR 11350-005/19004-04-02/en

Preparing for the removal of the crawler carriers



WARNING

The crane can topple over!

When turning the turntable with installed counterweight on the turntable, the crane can topple over! Personnel can be severely injured or killed!

▶ Make sure that the counterweight on the turntable has been removed!

- ▶ Turn the turntable in lengthwise direction to the cross carriers.
 - ▶ Extend the support cylinder on the side where the crawler carrier is being removed to the point where the crawler carrier can be removed without interference.
 - ▶ Set the assembly operating mode on the LICCON computer system according to the load chart.
-



Note

- ▶ To set up the SA-frame, see Crane operating instructions, chapter 5.02!
 - ▶ The maximum forward radius of the SA-frame is 9 m !
-

- ▶ Set the SA-frame up and lower it forward above the crawler carriers to be lifted.
- ▶ Move the assembly cylinder out.
- ▶ Attach and tension the fastening equipment on the crawler carrier.
- ▶ Carry out the instructions, see section „Preparing for removal of the crawler carriers with the auxiliary crane“.

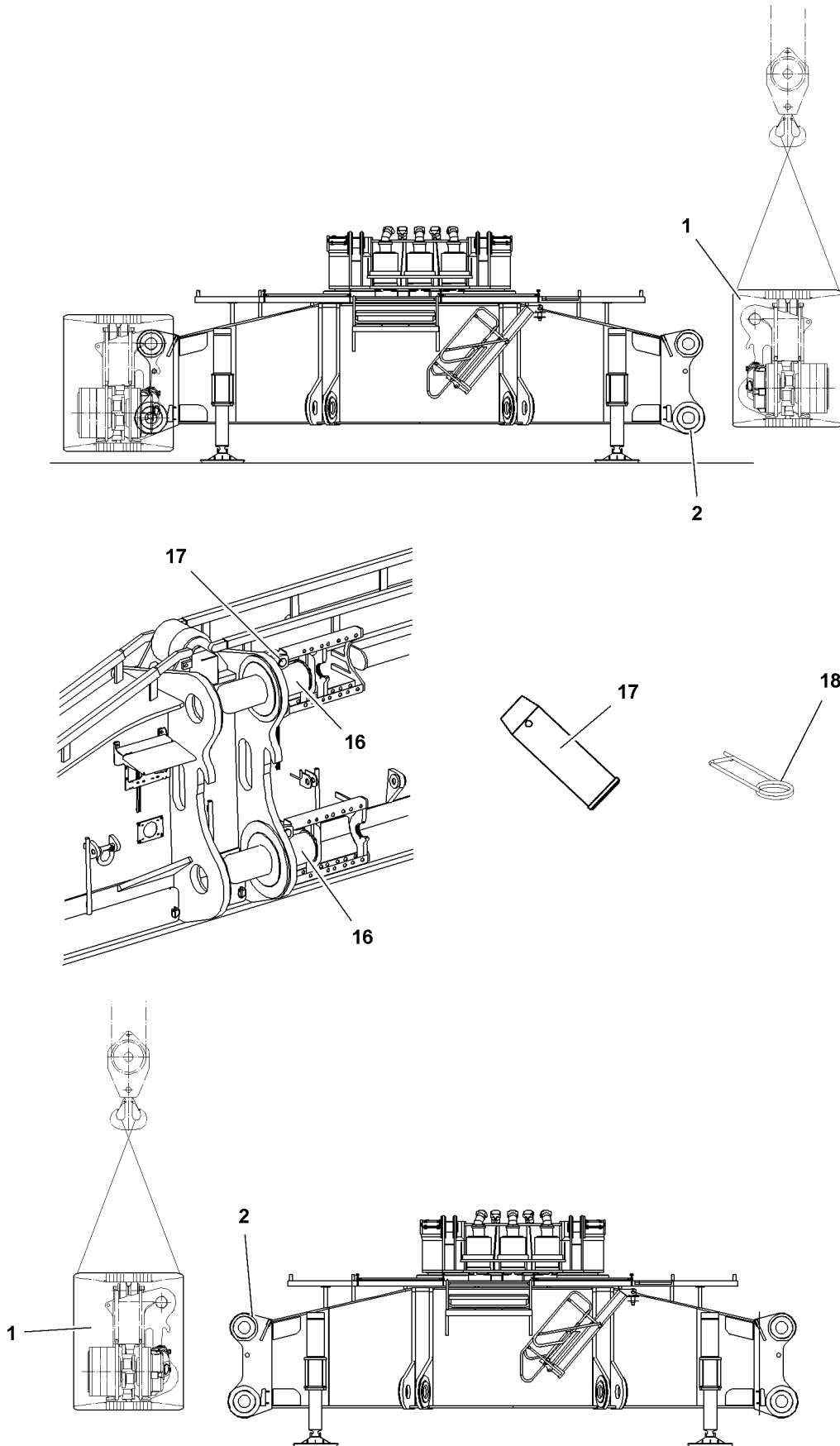


Fig.102769

LWE/LR 11350-005/19004-04-02/en

Removing the crawler carriers with the SA-frame



WARNING

The guard plates are not installed!

If the crawler carriers are lifted without the guard plates, then the fastening equipment can be damaged or rip off! Personnel can be severely injured or killed!

- ▶ It is prohibited for anyone to remain under the crawler carrier as well as within the complete danger zone during assembly and disassembly!

Make sure that the following prerequisite is met:

- The crawler center section and the cross carriers are horizontally aligned.
- The crawler center section and cross carriers are lifted at least 0.40 m above the ground.
- ▶ Attach the **first** crawler carrier **1** on the assembly cylinder and tension with the fastening equipment.
- ▶ Release the pin **16** „on the bottom“: Remove the spring retainer **18** and unpin the retaining pin **17**.
- ▶ Unpin the crawler carrier **1** on the cross carrier **2** „on the bottom“: Unpin the pin **16** with the hydraulic pin pulling device.
- ▶ Release the pin **16** „on top“: Remove the spring retainer **18** and unpin the retaining pin **17**.
- ▶ Unpin the crawler carrier **1** on the cross carrier **2** „on top“: Unpin the pin **16** with the hydraulic pin pulling device.
- ▶ Carefully swing out the crawler carrier **1** on the pin points on the cross carrier **2**.
- ▶ Set the crawler carrier **1** down on the ground.
- ▶ Remove the fastening equipment and move the assembly cylinder in.
- ▶ Turn the turntable by 180°.
- ▶ Move the support cylinder out on the side where the second crawler carrier is being removed to the point where the crawler carrier can be removed without interference.
- ▶ Attach the **second** crawler carrier **1** on the assembly cylinder and tension with the fastening equipment.
- ▶ Unpin the second crawler carrier.
- ▶ Carefully swing out the crawler carrier **1** on the pin points on the cross carrier **2**.
- ▶ Set the crawler carrier **1** down on the ground.
- ▶ Remove the fastening equipment and move the support cylinder in.
- ▶ Remove the turntable, see Crane operating instructions, chapter 3.02!

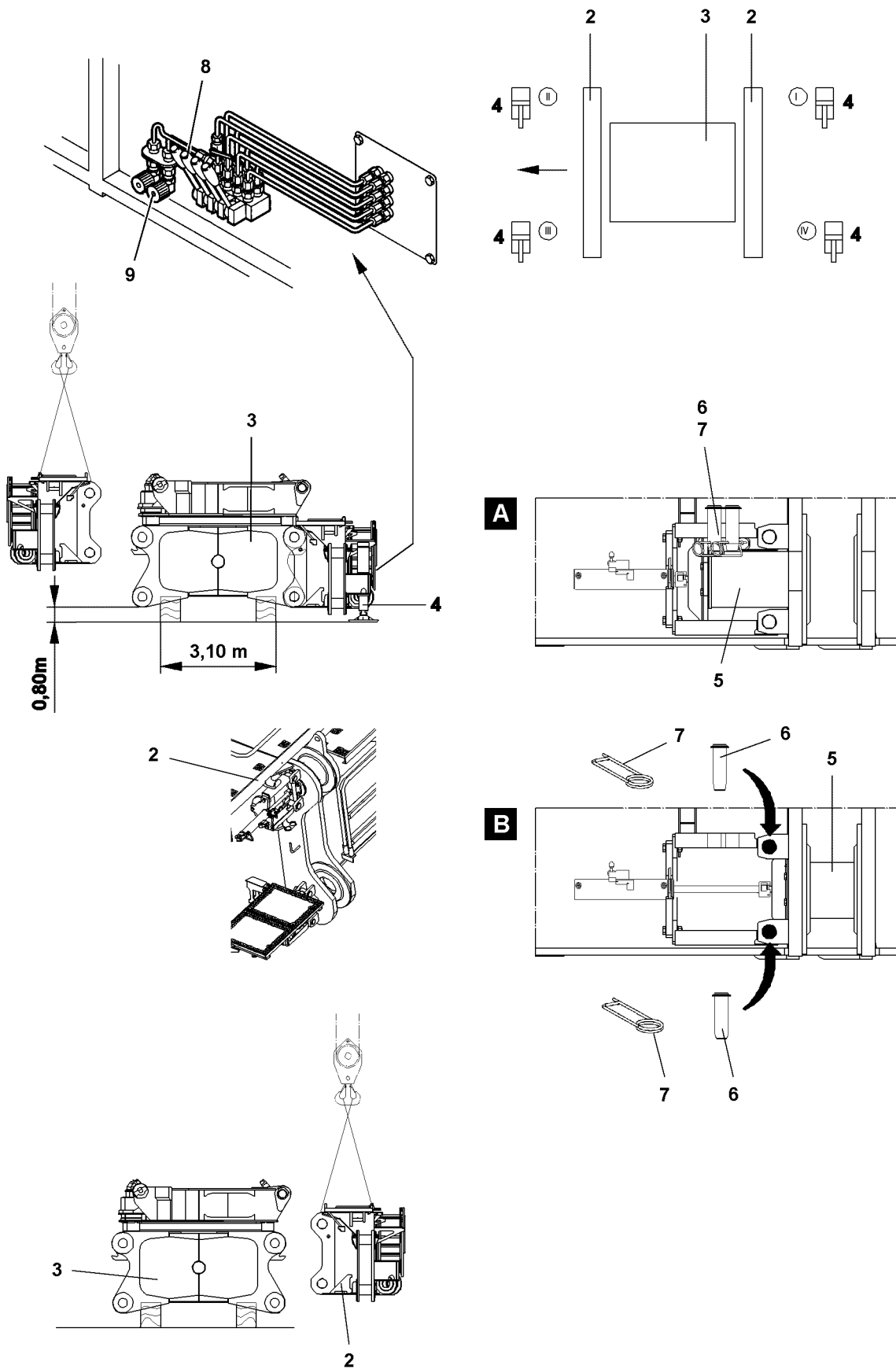


Fig.104443

3.4.3 Supporting the crawler center section

Make sure that the following prerequisites are met:

- The crawler carriers are removed.
- The turntable has been removed.



Note

- ▶ Remove the turntable, see Crane operating instructions, chapter 3.02!



Note

- ▶ The foundation must be constructed in such a way that the cross carriers can be removed on the left and right without interference!
 - ▶ The support for the crawler center section must be built up to at least 0.80 m !
 - ▶ The distance between the support must be at least 3.10 m !
-
- ▶ Support the crawler center section **3** with hardwood timbers (or other suitable materials) from below.
 - ▶ Move the support cylinder in and set the crawler center section **3** on the support foundation.

3.4.4 Removing the cross carriers



Note

- ▶ First remove the cross carrier without installed hydraulic connections!
- ▶ Move the support cylinder in only on the cross carrier without installed hydraulic connections. The opposite cross carrier must be supported with the assembly cylinders or be supported from below!



WARNING

Tipping of crawler travel gear!

Without support with the assembly cylinders the installed cross carrier can tip over! Personnel can be severely injured or killed!

- ▶ Support the cross carrier with the support cylinders or support it from below!
-
- ▶ Attach the **first** cross carrier **2** on the auxiliary crane and tension with the fastening equipment.
 - ▶ Release the pin **5** „on the bottom“: Remove the spring retainer **7** and unpin the retaining pin **6**.
 - ▶ Unpin the cross carrier **2** on the crawler center section **3** „on the bottom“: Unpin the pin **5** with the hydraulic pin pulling device.
 - ▶ Attach the **second** cross carrier **2** on the auxiliary crane and tension with the fastening equipment.
 - ▶ Release the pin **5** „on the bottom“: Remove the spring retainer **7** and unpin the retaining pin **6**.
 - ▶ Unpin the cross carrier **2** on the crawler center section **3** „on the bottom“: Unpin the pin **5** with the hydraulic pin pulling device.
 - ▶ Release the hydraulic connection of the pin pulling device to the assembly cylinders on the quick couplings **9**.

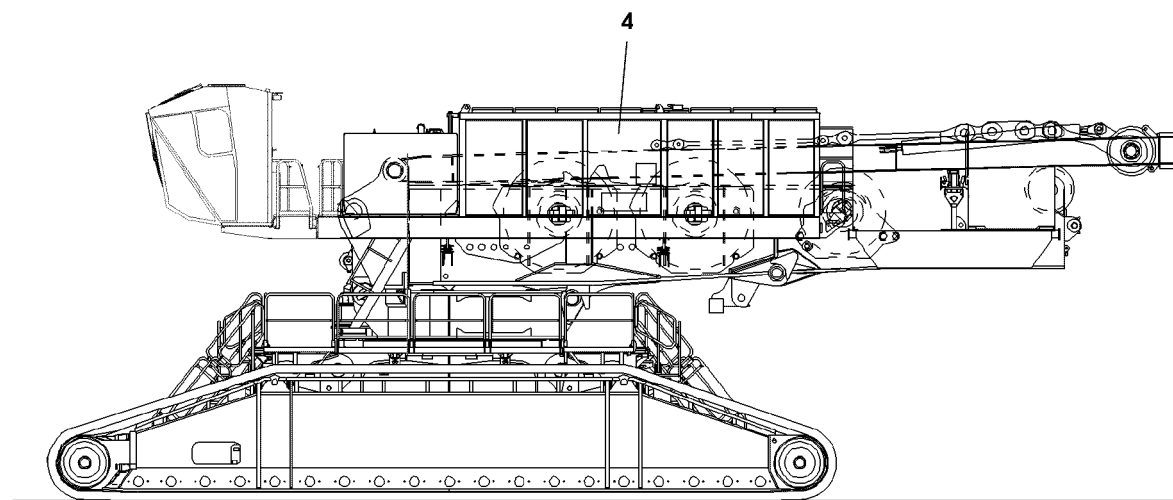
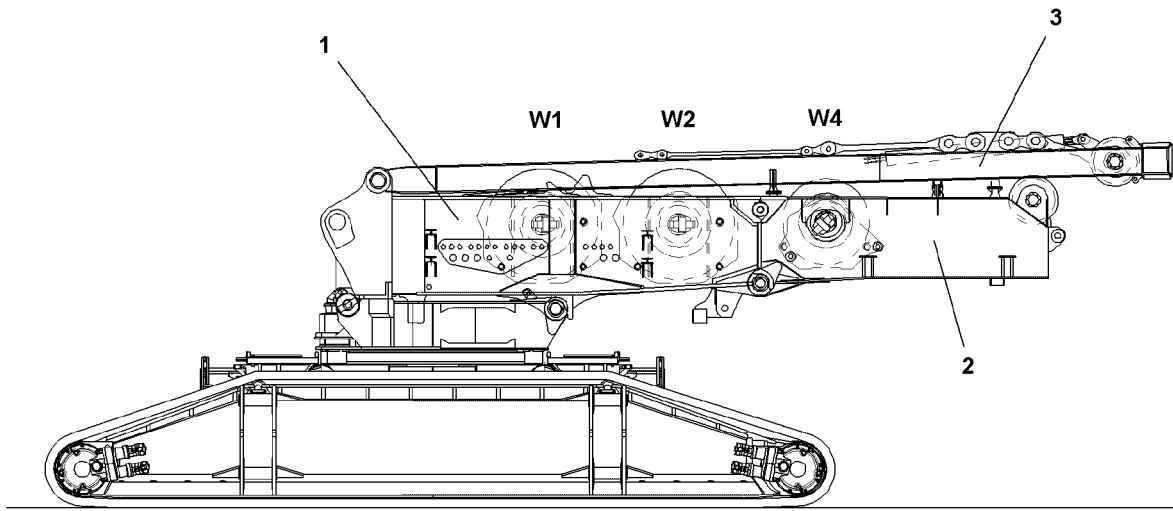


Fig.102864

1 Component overview

1.1 Turntable

- 1 Turntable, front section
- 2 Turntable, rear section
- 3 SA-frame
- 4 Engine house
- W1** Winch 1
- W2** Winch 2
- W4** Winch 4

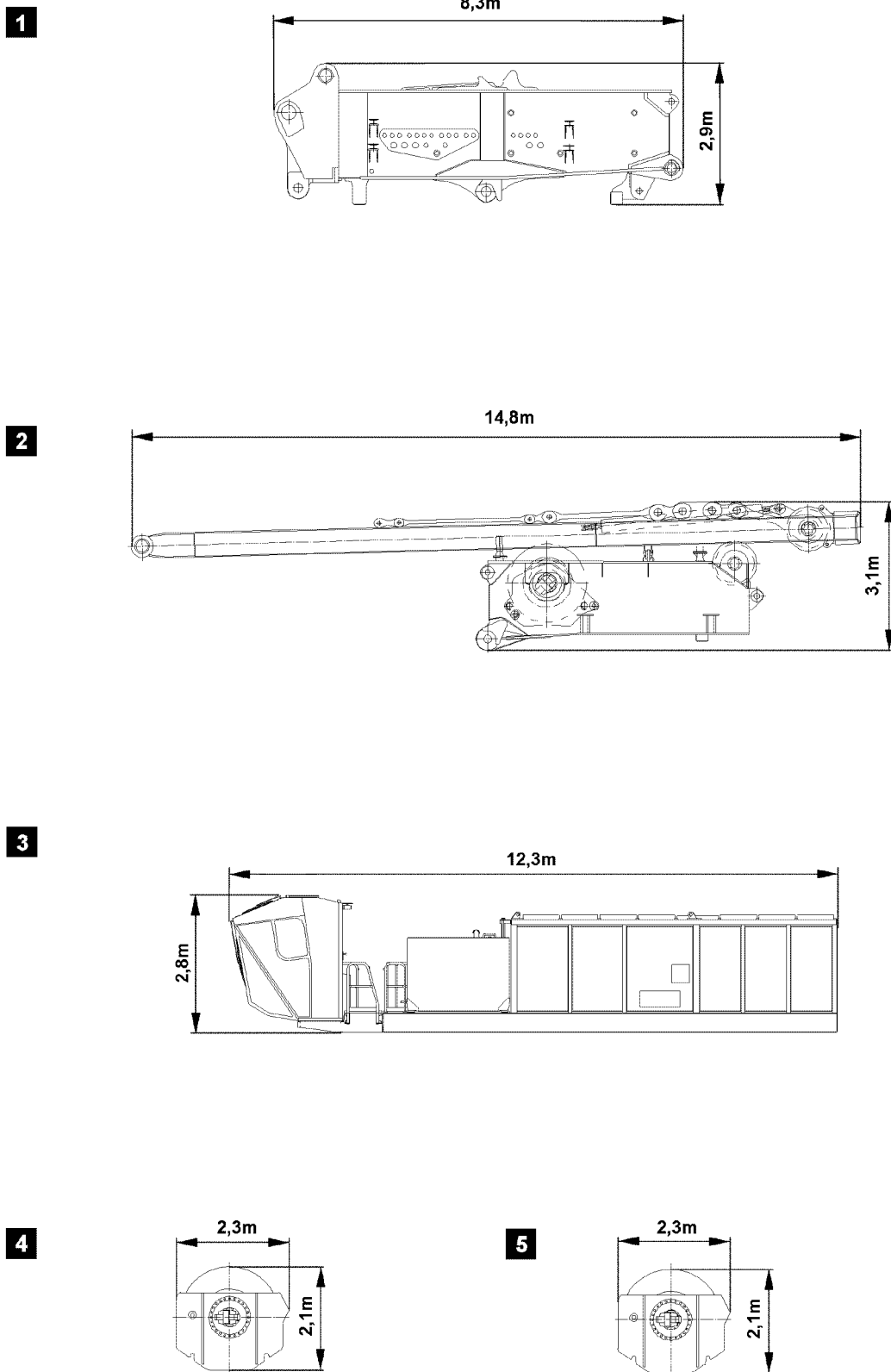


Fig.102876

LWE/LR 11350-005/19004-04-02/en

2 Dimensions and weights

2.1 Turntable, front section

See figure 1

Weight **without** winch 1 and 2: 31 t

Width: 3.40 m

2.2 Turntable, rear section

See figure 2

Weight with winch 4 and SA-frame: 45 t

Width: 3.30 m

2.3 Engine house with catwalk and cab

See figure 3

Weight 17.6 t

Width: 2.50 m

2.4 Winch 1

See figure 4

Weight 23 t

Width: 2.30 m

2.5 Winch 2

See figure 5

Weight 23 t

Width: 2.30 m

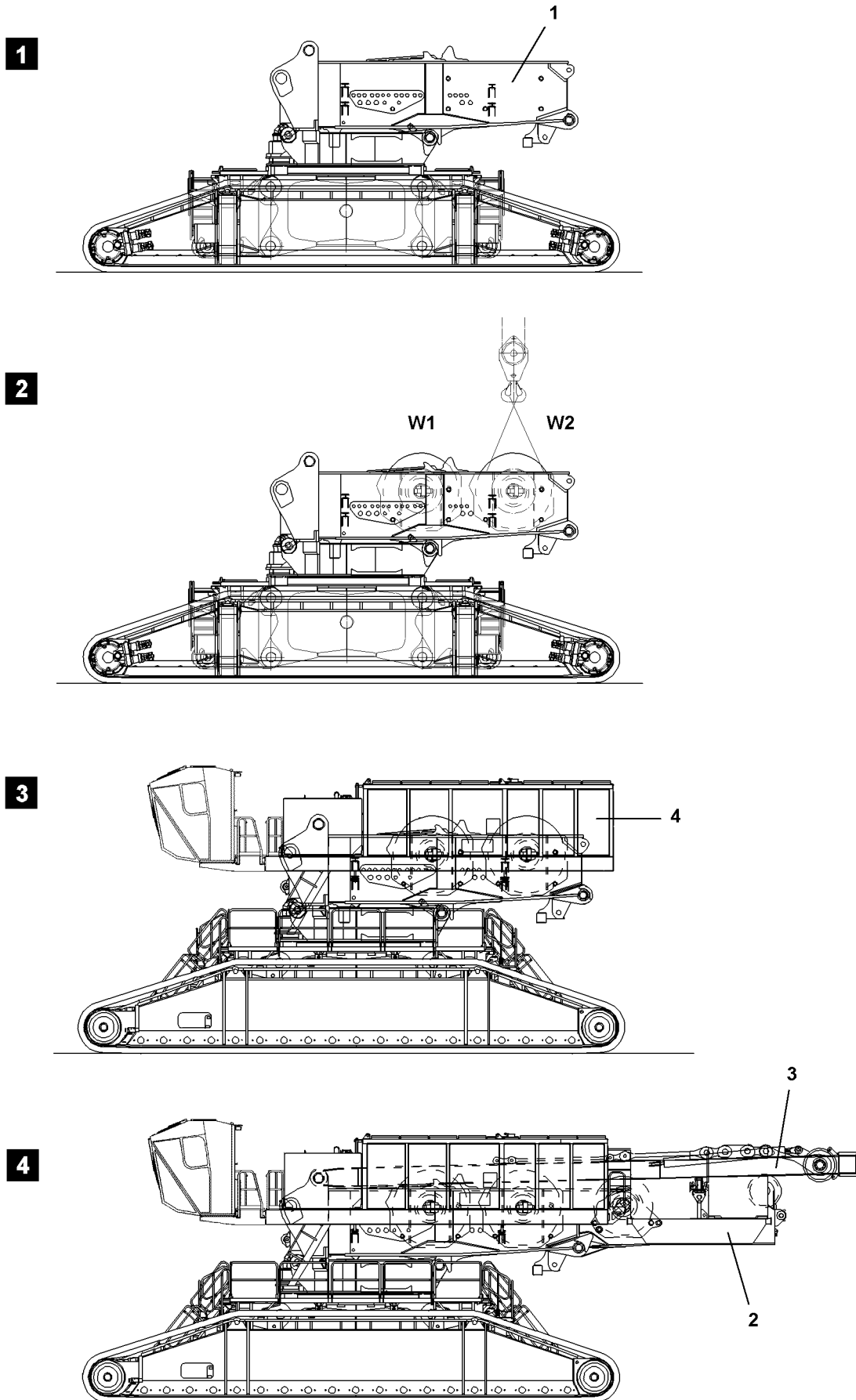


Fig.102967

3 Assembly



DANGER

Risk of accident!

During assembly and disassembly, personnel must be secured with appropriate antifaall guards to prevent them from falling. If this is not observed, personnel could fall and suffer life-threatening injuries.

- ▶ All assembly work from a height of 2 m must normally be carried out using suitable aids (lifting platforms, scaffolding, ladders, auxiliary crane etc.)! The height above which assembly/disassembly work must be carried out with aids depends on national regulations. The national regulations must be adhered to!
- ▶ If work cannot be carried out on the ground or using such aids, then assembly personnel must be secured with suitable personal protective equipment (such as safety belts) to protect against falling!
- ▶ It is prohibited for anyone to remain within the complete danger zone during assembly and disassembly.

Ensure that the following preconditions are met:

- an auxiliary crane is available
- the placement location must be level and have adequate load-bearing capacity
- the pin bores are clean
- the connector pins are clean

3.1 Short description of assembly procedure



Note

- ▶ The short description of the assembly procedure is only intended as an overview. In addition, the complete assembly description must be read and understood!

- ▶ **Fig. 1:** Install the turntable, front section **1**
- ▶ **Fig. 2:** Install winch **1 W1** and winch **2 W2**
- ▶ **Fig. 3:** Install the engine house **4**
- ▶ **Fig. 4:** Install the turntable rear section **2** and SA-frame **3**

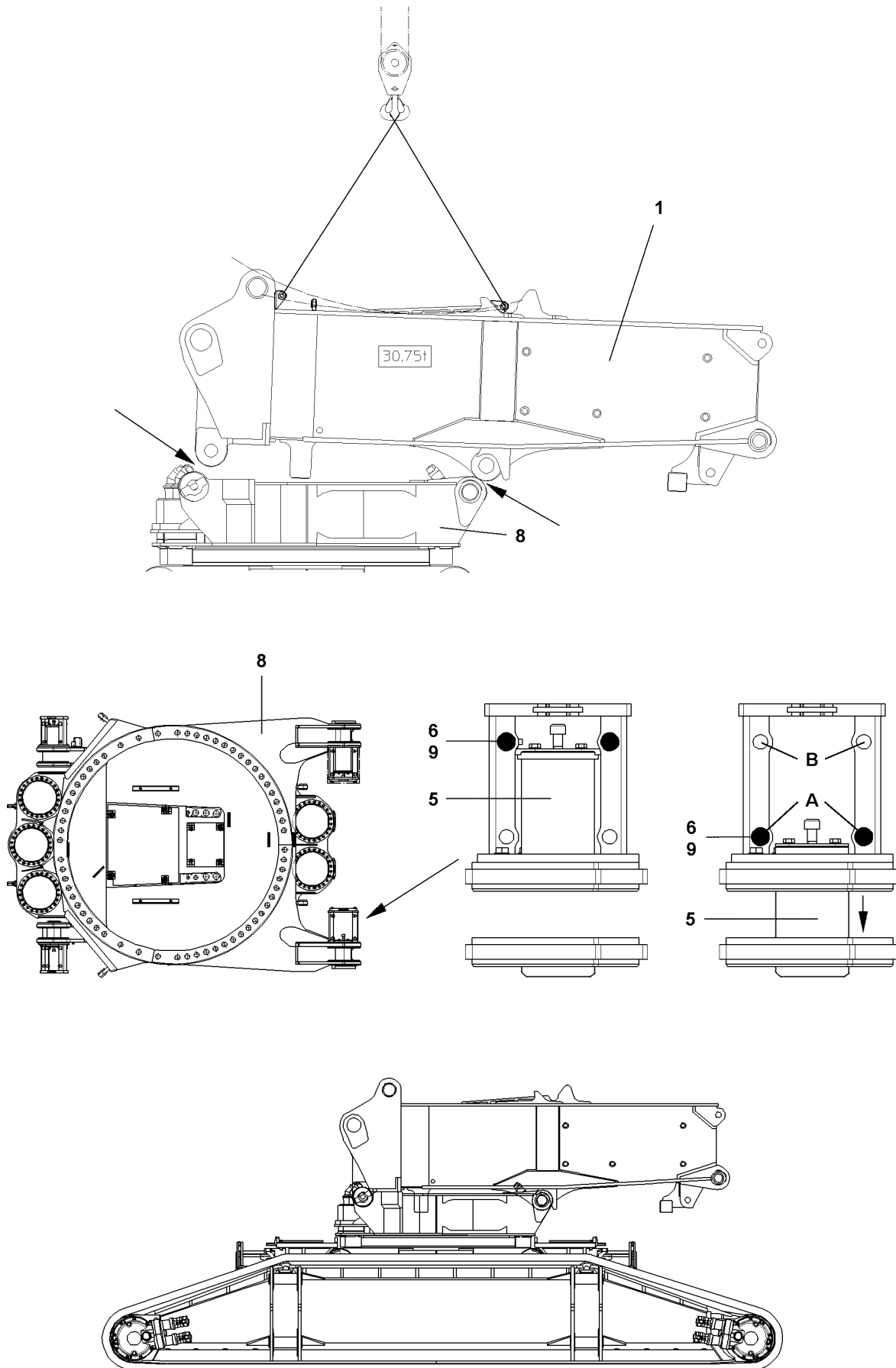


Fig.102731

3.2 Assembly turntable, front section

Ensure that the following preconditions are met:

- the tackle is pinned and secured on the assembly eye hooks
- winches 1 and 2 are not installed
- ▶ Hang the turntable front section **1** onto the auxiliary crane and swing in to the pin points on the turn section **8** and attach.
- ▶ Pin and secure the front section **1** on the turn section **8** on the front and rear.
- ▶ Insert the pins **5** with the hydraulic pin pulling device and secure with retaining pins **6**.
- ▶ Unpin the retaining pin **6** on **B** and pin on **A** and secure with linch pin **9**.
- ▶ Establish the electrical and hydraulic connections on the rotary connection to the turntable.

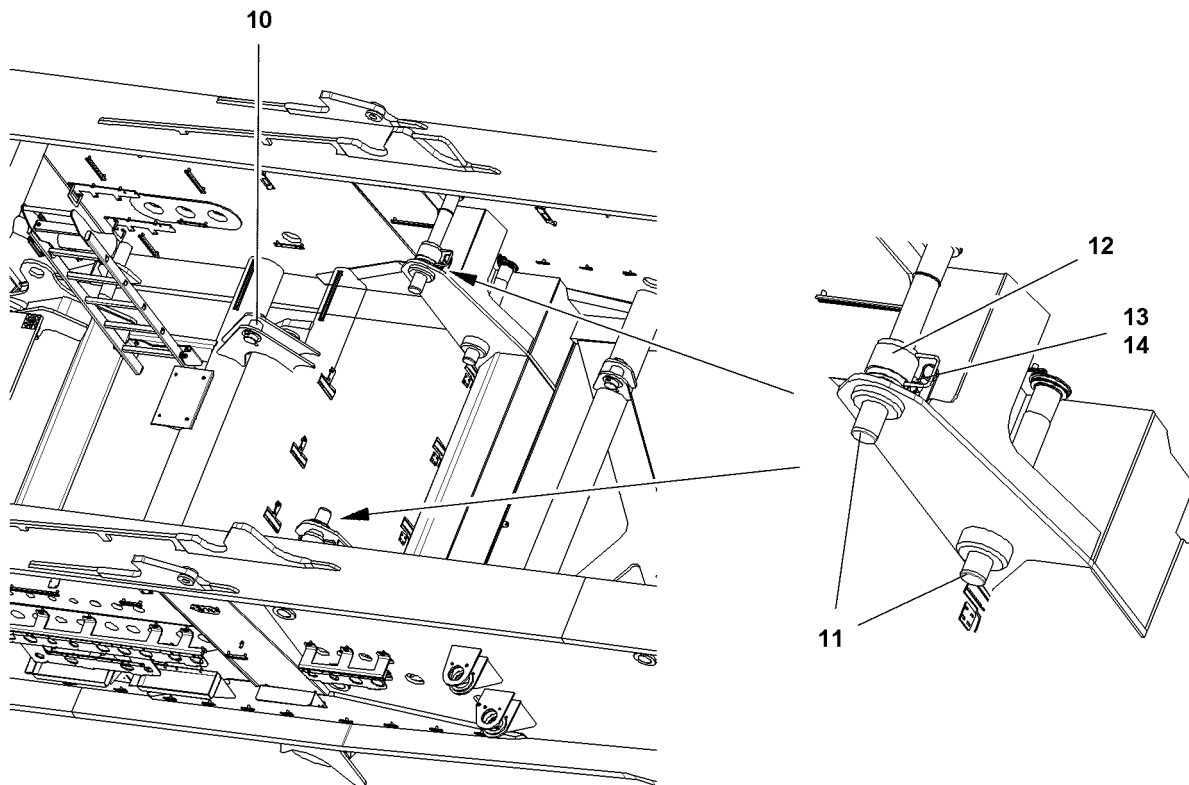
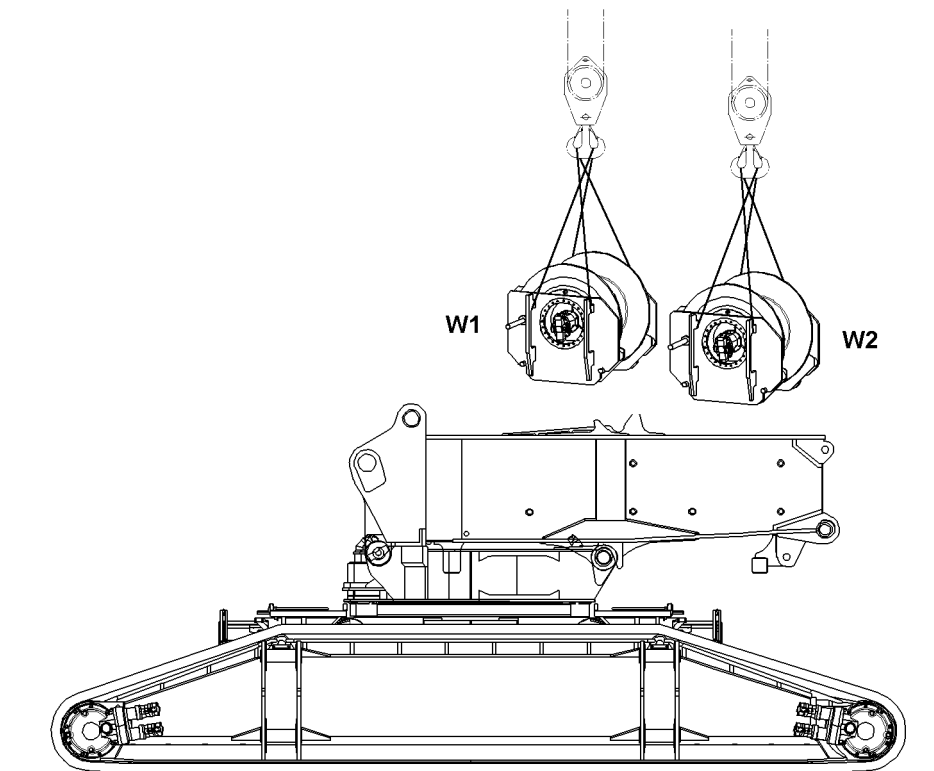


Fig.102732

LWE/LR 11350-005/19004-04-02/en

3.3 Assembly winch 1

Ensure that the following preconditions are met:

- the pins **11** are pushed back to install the winch without interference.
- ▶ Hang winch 1 **W1** on the auxiliary crane and swing in to the pin points in the turntable front section **1**, lower it and attach on pins **10**
- ▶ Pin and secure winch 1 **W1**
- ▶ Insert the pins **11** with a tappet **12** into the winch frame.
- ▶ Pin the tappet **12** to secure the pin **11** on the frame with a retaining pin **13**.
- ▶ Insert the retaining pin **13** and secure with spring retainer **14**.
- ▶ Establish the electrical and hydraulic connections to the winches

3.4 Assembly winch 2



Note

- ▶ The installation procedure of winch 2 corresponds to that of winch 1.
-

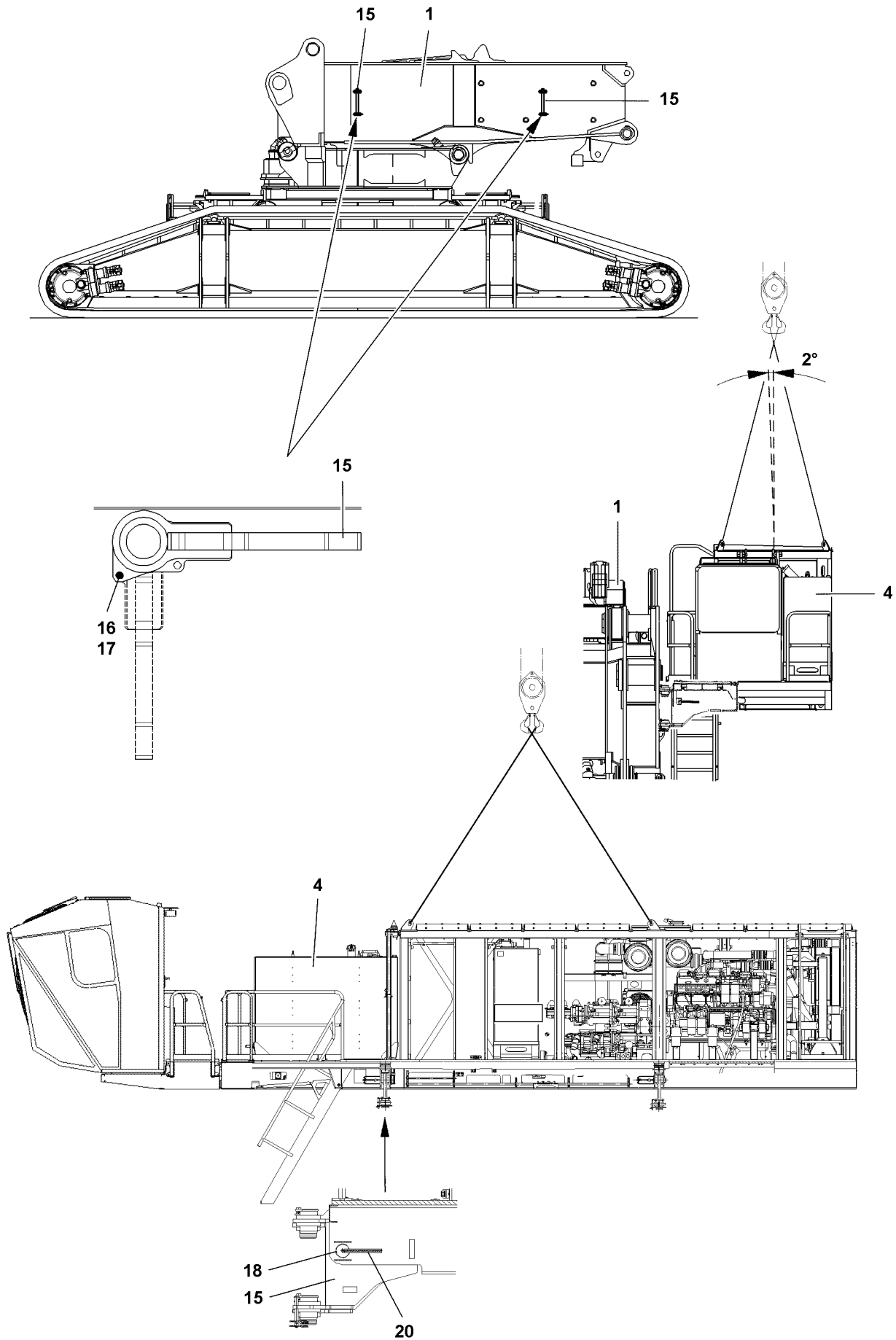


Fig.103123

LWE/LR 11350-005/19004-04-02/en

3.5 Assembly engine house

Ensure that the following preconditions are met:

- the tackle is pinned and secured on the assembly eye hooks
- the folding brackets **15** on the turntable front section **1** are folded out
- ▶ Fold the folding brackets out **15** by 90° and secure with the retaining pins **16**.
- ▶ Secure the retaining pins **16** with spring retainers **17**.
- ▶ Hang the engine house **4** onto the auxiliary crane and swing in to the folding brackets **15** on the turntable front section **1** and attach.



Note

- ▶ The engine house **4** must hang on the auxiliary crane so that it is inclined on the top about 2° to the turntable front section. This simplifies the assembly and disassembly on the folding brackets **15**.

-
- ▶ Pin and secure the engine house **4** on the folding brackets **15**.
 - ▶ Insert the pin **18** by hand and secure with spring retainer **19**.
 - ▶ Set the pin handle **20** horizontally.
 - ▶ Establish the electrical and hydraulic connections from the engine house **4** and the cab to the turntable.

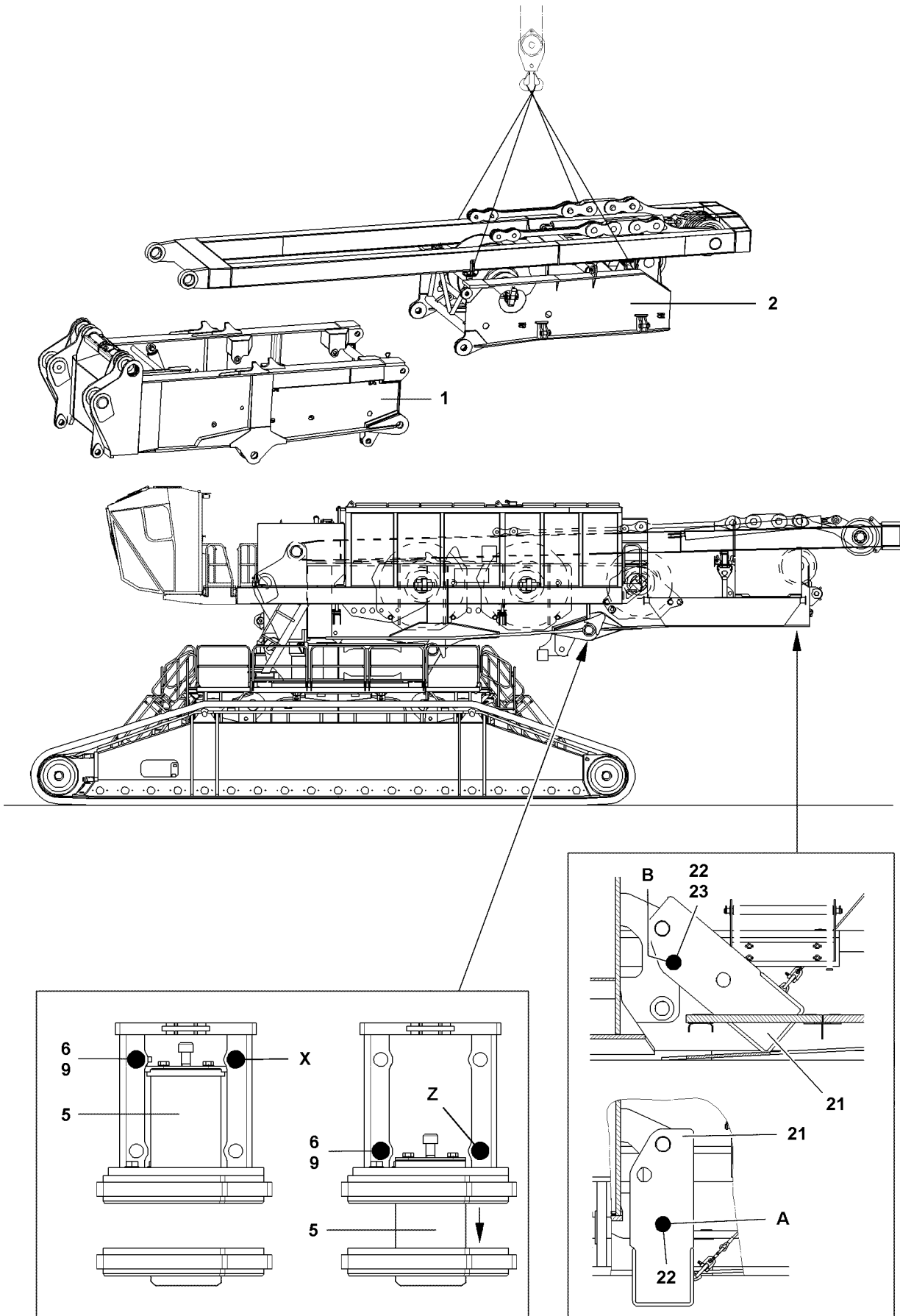


Fig.103303

3.6 Assembly turntable, rear section

Ensure that the following preconditions are met:

- the tackle is pinned and secured on the assembly eye hooks
- the SA-frame is placed and rigged on the rear section
- ▶ Hang the turntable rear section **2** onto the auxiliary crane and swing in to the pin points on the front section **1** and attach.
- ▶ Pin and secure the turntable rear section **2** on the front section **1** on the bottom and on top.
- ▶ Insert the pins **5** with the hydraulic pin pulling device and secure with retaining pins **6**.
- ▶ Secure the retaining pins **6** with linch pins **9**.
- ▶ Establish electrical and hydraulic connections.



CAUTION

If the turntable turns, the crane will be damaged!

- ▶ The shut off bracket **21** must be swung up and pinned for crane operation!
-
- ▶ Unpin the pin **22** on bore **A** and insert in bore **B**. Secure pin **22** with safety spring **23**.

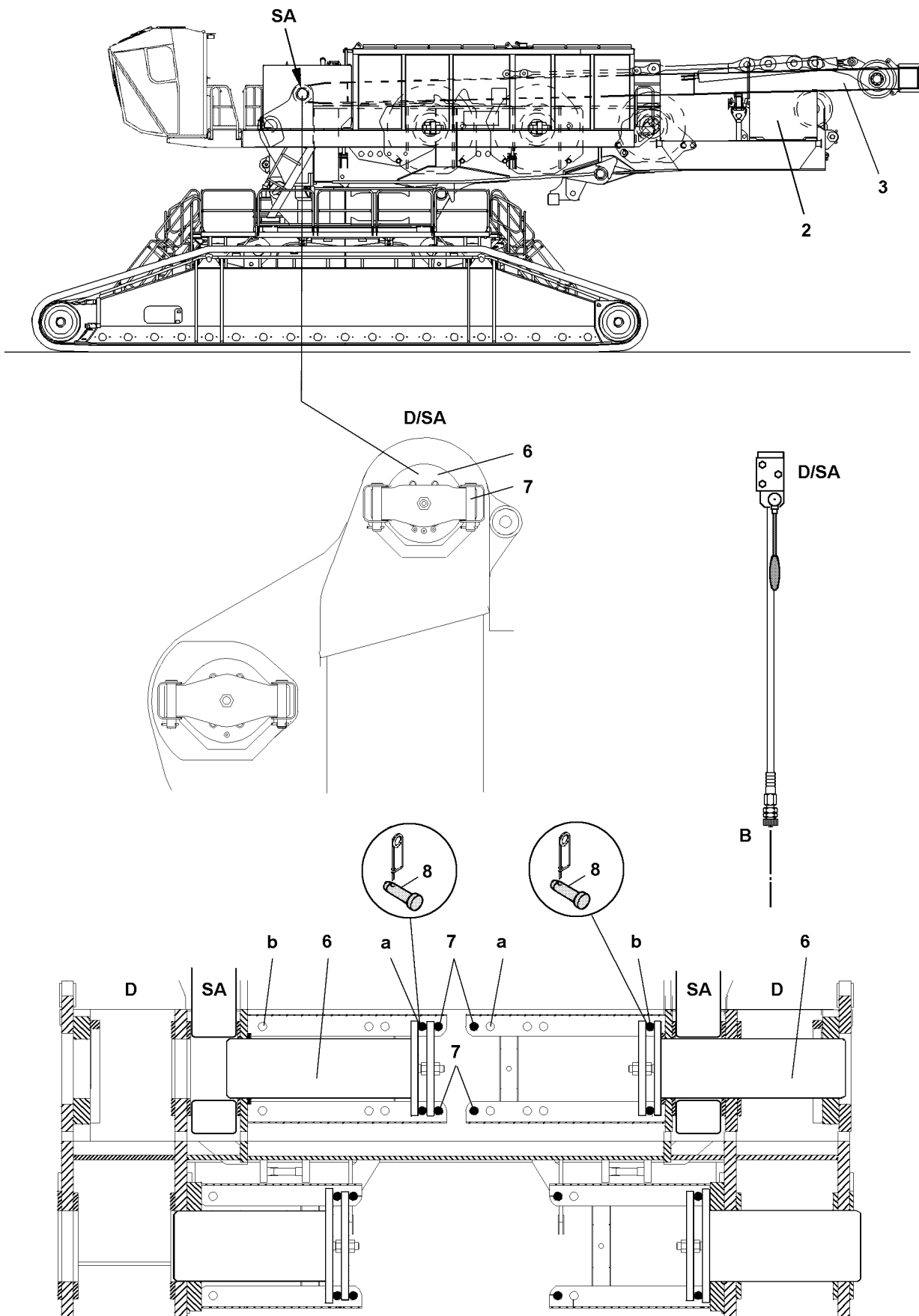


Fig.103304

LWE/LR 11350-005/19004-04-02/en

3.7 Assembly SA-frame on turntable

Ensure that the following preconditions are met:

- the tackle is pinned and secured on the turntable rear section on the assembly eye hooks and on the SA-frame.
 - the SA-frame is unriggered on the rear section
 - the pins **7** are inserted and secured
 - the pins **8** are pinned and secured in bores **a**
- ▶ Hang the SA-frame **3** onto the auxiliary crane and swing it in to the pin points on the turntable and attach.



Note

- ▶ The hand levers **SA** and the hydraulic connections **B** for the pin pulling device are on the left side of the turntable.

- ▶ Establish the hydraulic connections from the pin pulling device to the turntable
- ▶ Pin the SA-frame **3** on both sides with the pin pulling device.
- ▶ Move the hand lever **SA** and push the pins **6** all the way out.



DANGER

Risk of accident!

- ▶ If the pins are not secured, they can loosen up and the SA-frame can fall down and fatally injure personnel.
- ▶ Never leave the pins unsecured!
- ▶ Do not stand under the SA-frame or within the complete danger zone during the pinning and unpinning procedure!
- ▶ Unpin the pins **8** from the bores **a** and insert in bores **b** and secure.

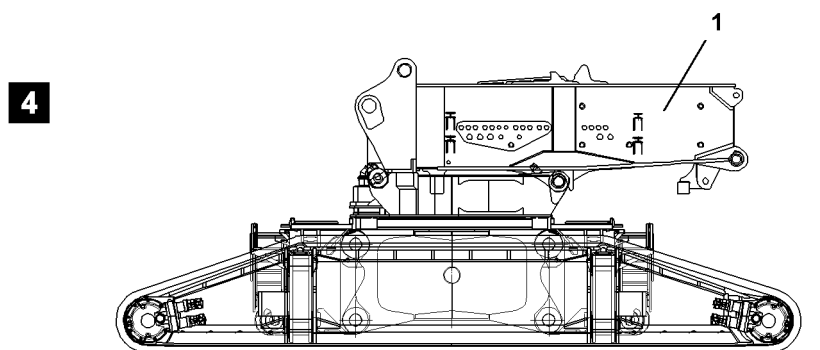
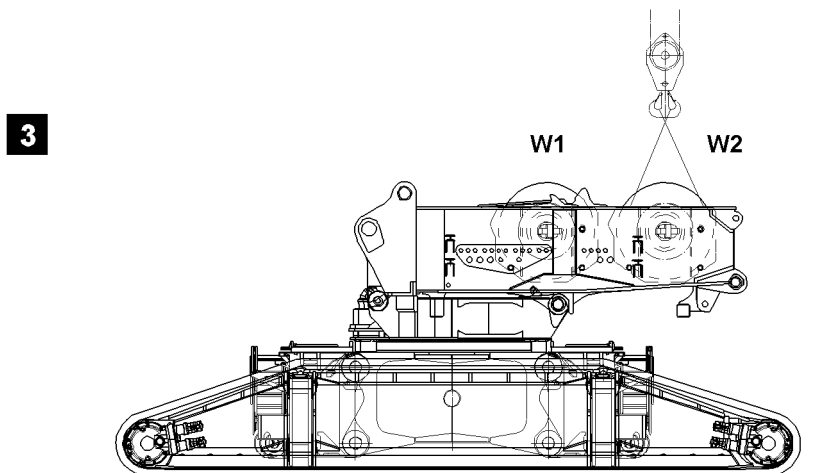
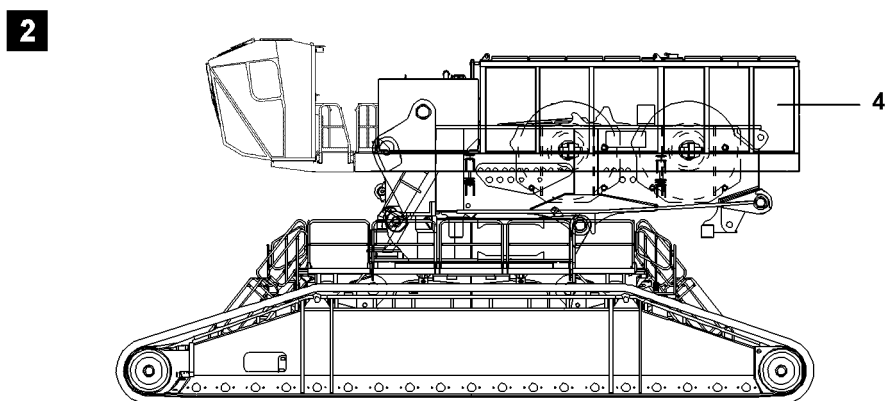
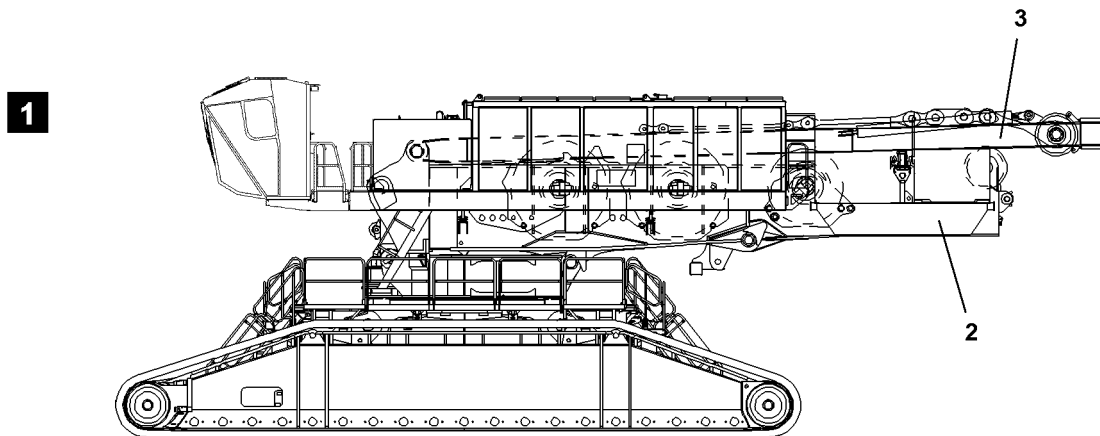


Fig.103305

LWE/LR 11350-005/19004-04-02/en

4 Disassembly



DANGER

Risk of accident!

During assembly and disassembly, personnel must be secured with appropriate antifall guards to prevent them from falling. If this is not observed, personnel could fall and suffer life-threatening injuries.

- ▶ All assembly work from a height of 2 m must normally be carried out using suitable aids (lifting platforms, scaffolding, ladders, auxiliary crane etc.)! The height above which assembly/disassembly work must be carried out with aids depends on national regulations. The national regulations must be adhered to!
- ▶ If work cannot be carried out on the ground or using such aids, then assembly personnel must be secured with suitable personal protective equipment (such as safety belts) to protect against falling!
- ▶ It is prohibited for anyone to remain within the complete danger zone during assembly and disassembly.

Ensure that the following preconditions are met:

- an auxiliary crane is available
- the boom, the derrick and the suspended ballast are removed
- the turntable counterweight is removed

4.1 Short description of disassembly procedure



Note

- ▶ The short description of the assembly procedure is only intended as an overview. In addition, the complete assembly description must be read and understood!

- ▶ **Fig. 1:** Remove the turntable rear section **2** with SA-frame **3**
- ▶ **Fig. 2:** Remove the engine house **4**
- ▶ **Fig. 3:** Remove winch **1 W1** and winch **2 W2**
- ▶ **Fig. 4:** Remove the turntable front section **1**

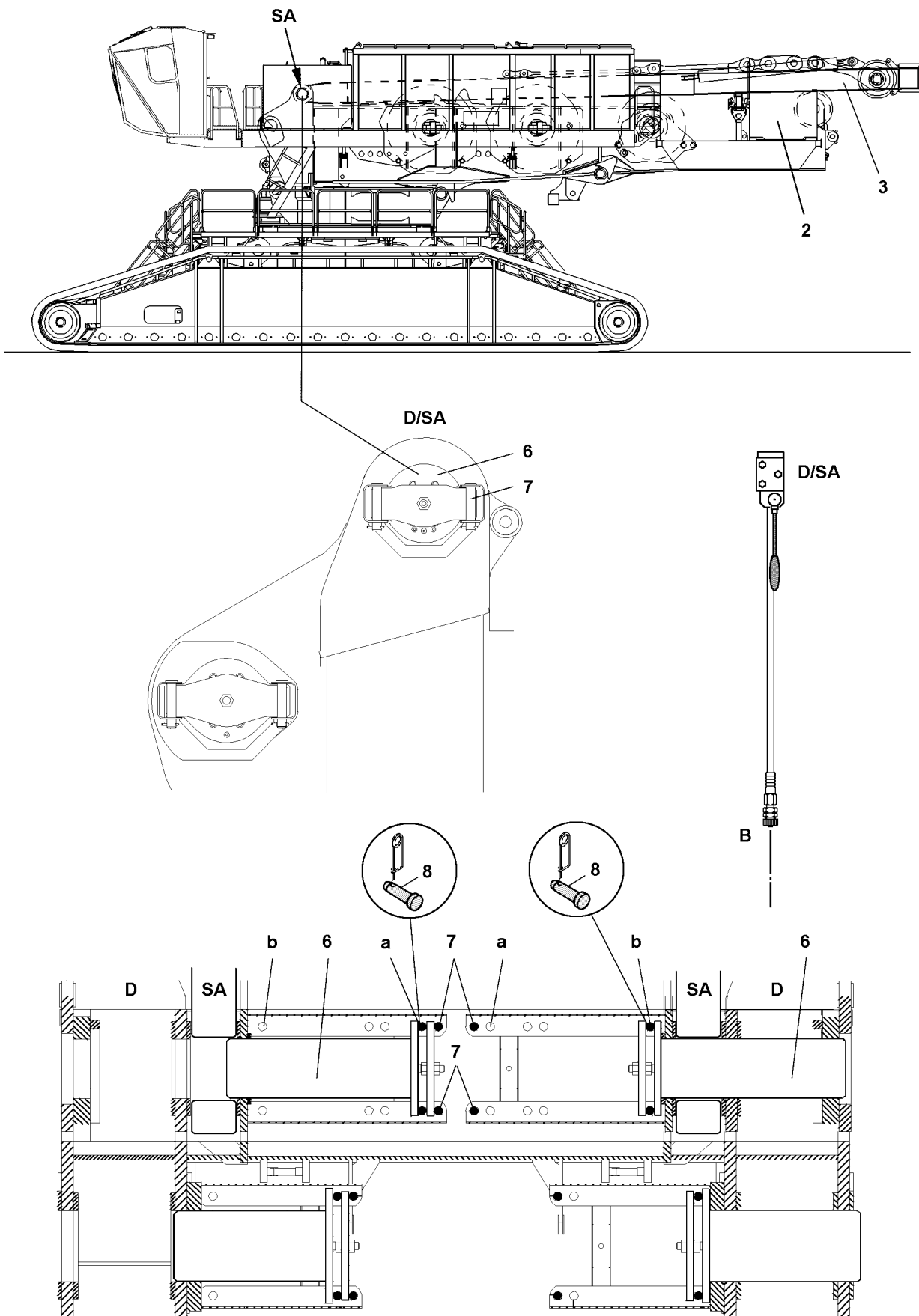


Fig.103304

LWE/LR 11350-005/19004-04-02/en

4.2 Disassembly of SA-frame on turntable

Ensure that the following preconditions are met:

- the tackle is pinned and secured on the SA-frame.
- the SA-frame is unriggered on the rear section

▶ Hang the SA-frame **3** on the auxiliary crane.



DANGER

Risk of accident!

- ▶ If the SA-frame **3** is not held by the auxiliary crane, then the SA-frame can fall down and fatally injure personnel.
- ▶ Do not stand under the SA-frame or within the complete danger zone during the pinning and unpinning procedure!

▶ Unpin the SA-frame **3** on the turntable.



Note

▶ The hand levers **SA** and the hydraulic connections **B** for the pin pulling device are on the left side of the turntable.

- ▶ Establish the hydraulic connections from the pin pulling device to the turntable.
- ▶ Unpin the SA-frame **3** on both sides with the pin pulling device.
- ▶ Unpin the pins **8** from the bores **b**.
- ▶ Move the hand lever **SA** and unpin the pins **6** all the way.
- ▶ Pin and secure pins **8** in bores **a**.
- ▶ Place down and rig the SA-frame **3** on the turntable rear section **2**.
- ▶ Disengage the tackle.

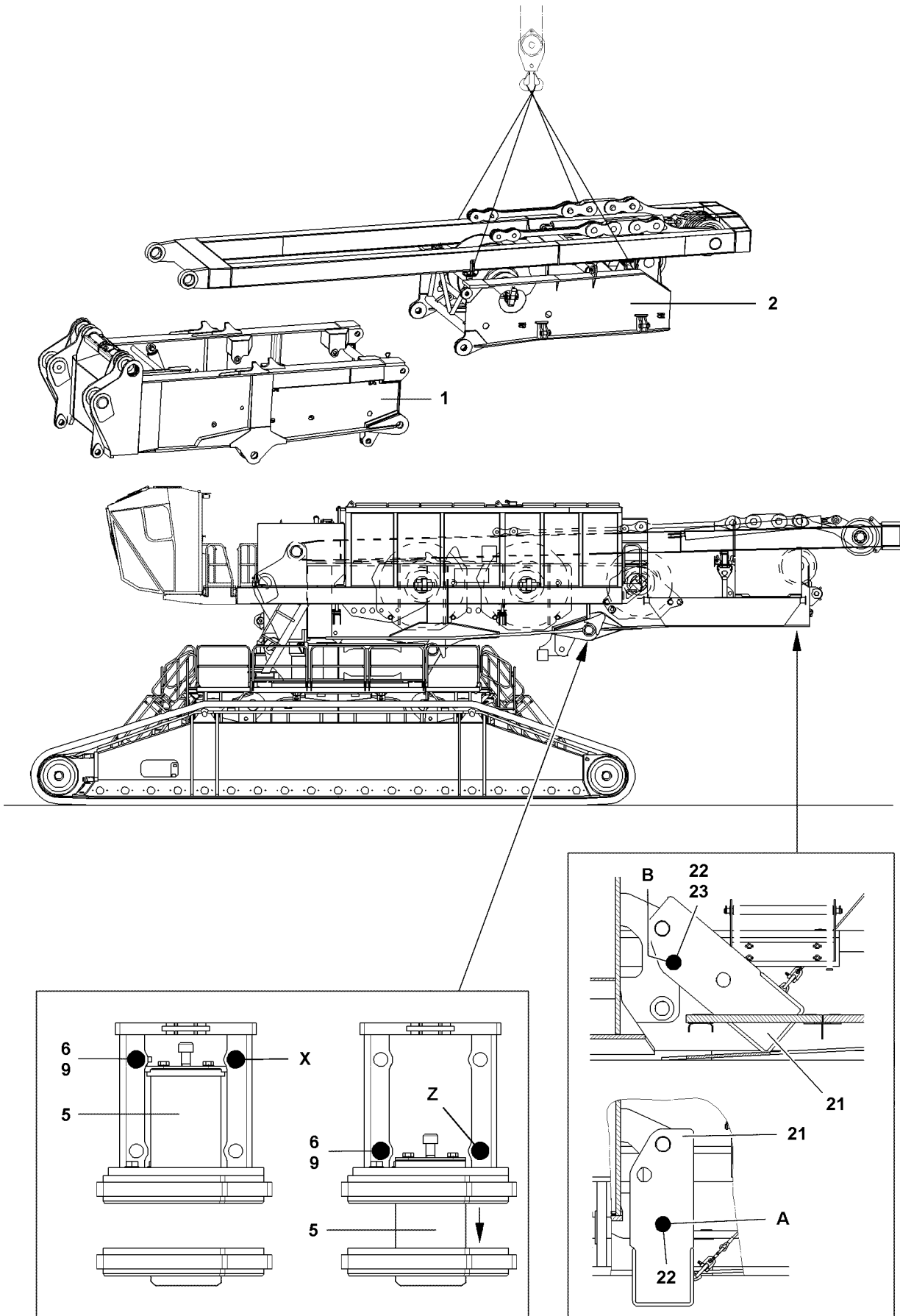


Fig.103303

4.3 Disassembly turntable, rear section

Ensure that the following preconditions are met:

- the tackle is pinned and secured on the assembly eye hooks on the turntable rear section **2**
- disconnect the electrical and hydraulic connections
- the SA-frame is placed and rigged on the turntable rear section **2**
- ▶ For disassembly, swing the shut off bracket **21** down and pin.
- ▶ Unpin the pin **22** on bore **B** and insert in bore **A**. Secure pin **22** with safety spring **23**.
- ▶ Hang the turntable rear section **2** on the auxiliary crane and tension tackle.
- ▶ Unpin and release the turntable rear section **2** on the turntable front section **1** on the bottom and on top.
- ▶ Remove the lynch pins **9** and unpin the retaining pins **6** on Z and insert in X and secure.
- ▶ Unpin the pin **5** with the hydraulic pin pulling device.
- ▶ Secure the retaining pins **6** with lynch pins **9**.

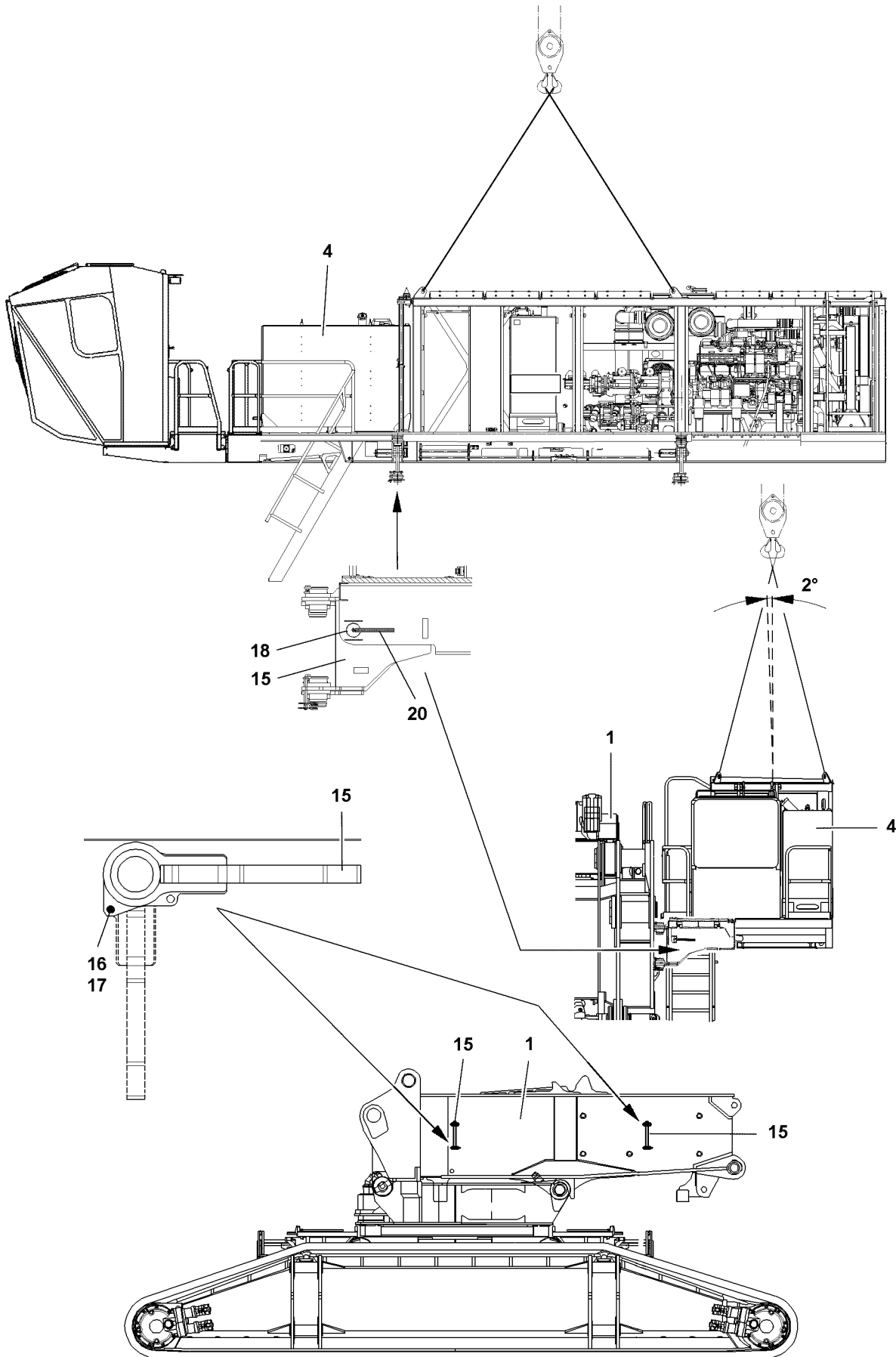


Fig.103306

LWE/LR 11350-005/19004-04-02/en

4.4 Disassembly of engine house

Ensure that the following preconditions are met:

- the tackle is pinned and secured on the assembly eye hooks
- the electrical and hydraulic connections from the engine house **4** and the cab to the turntable are disconnected



Note

- ▶ Hang the engine house **4** on the auxiliary crane so that it is inclined on the top about 2° to the turntable front section. This simplifies the assembly and disassembly on the folding brackets **15**.
-
- ▶ Release and unpin the engine house **4** on the folding brackets **15**.
 - ▶ Remove the spring retainer **19** and unpin the pin **18** by hand.
 - ▶ Swing the engine house **4** from the folding brackets **15** on the turntable front section **1**.
 - ▶ Fold the folding brackets **15** in and secure with the retaining pins **16**.
 - ▶ Secure the retaining pins **16** with spring retainers **17**.

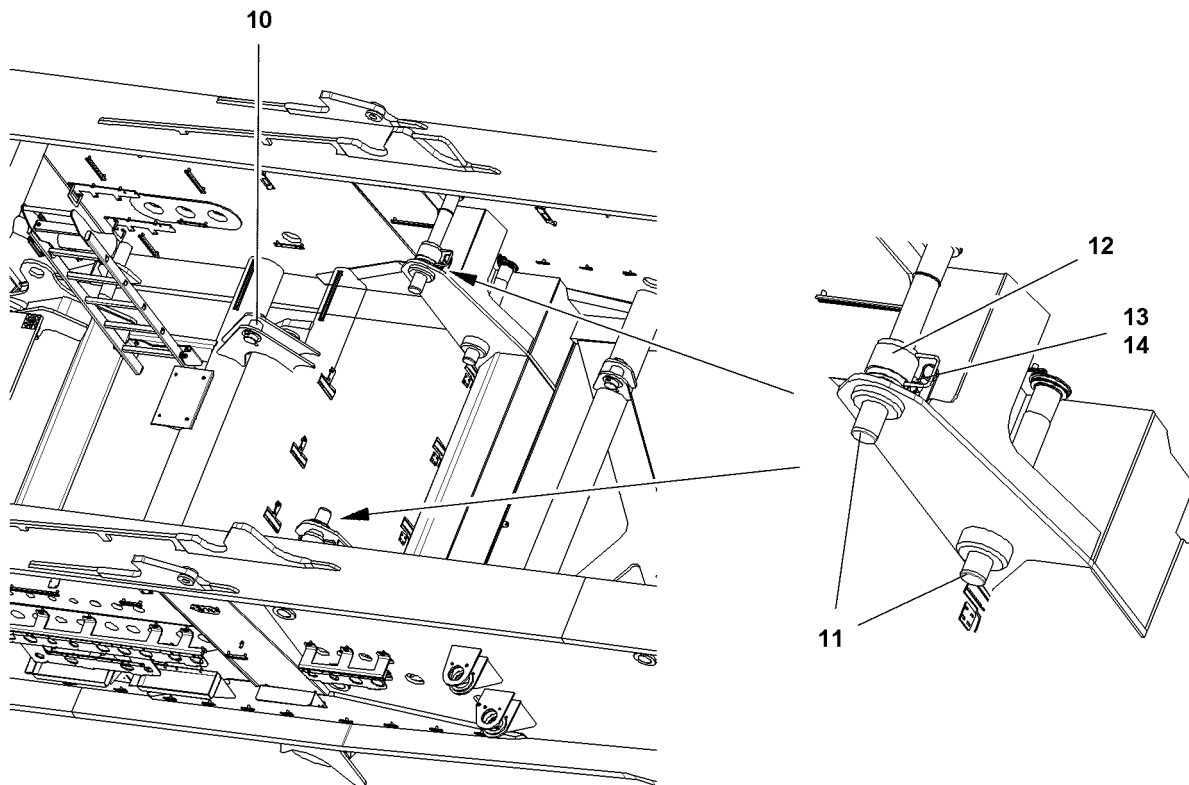
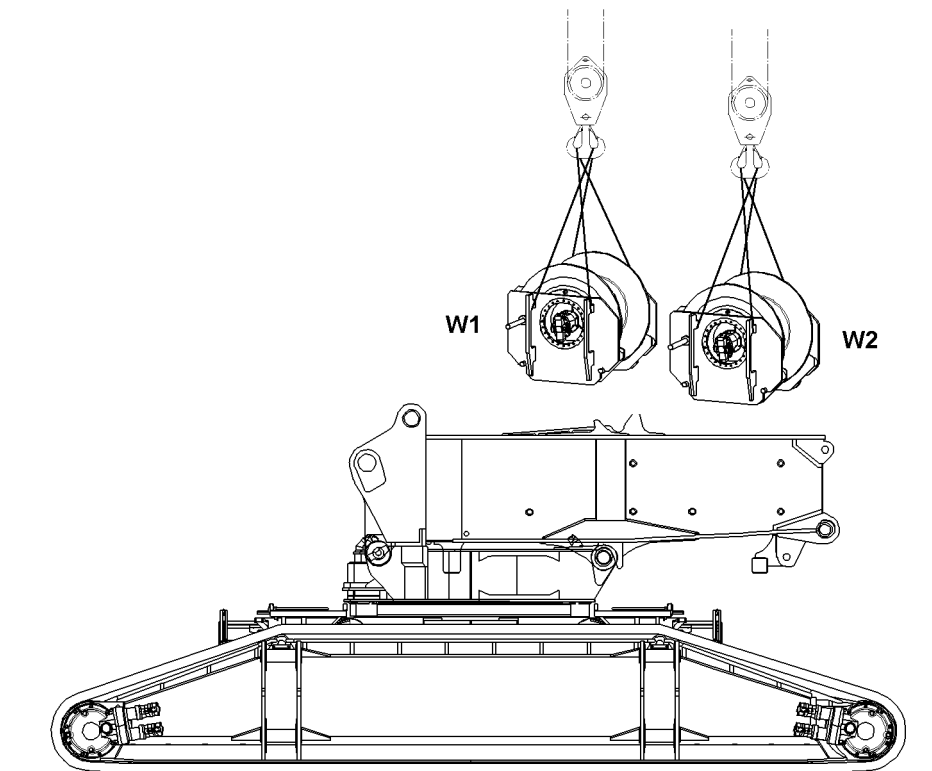


Fig.102732

LWE/LR 11350-005/19004-04-02/en

4.5 Disassembly winch 1

Ensure that the following preconditions are met:

- disconnect the electrical and hydraulic connections to the winches
 - winch 1 **W1** is pinned and secured on the auxiliary crane
 - the tackle is tensioned
- ▶ Remove the spring retainer **14** and unpin the retaining pin **13**.
 - ▶ Unpin the tappet **12** to secure the pin **11** on the frame with a retaining pin **13**.
 - ▶ Unpin the pins **11** with the tappet **12** on the winch frame.
 - ▶ Carefully lift winch 1 **W1** with the auxiliary crane from the turntable.

4.6 Disassembly winch 2



Note

- ▶ The disassembly procedure of winch 2 corresponds to that of winch 1.
-

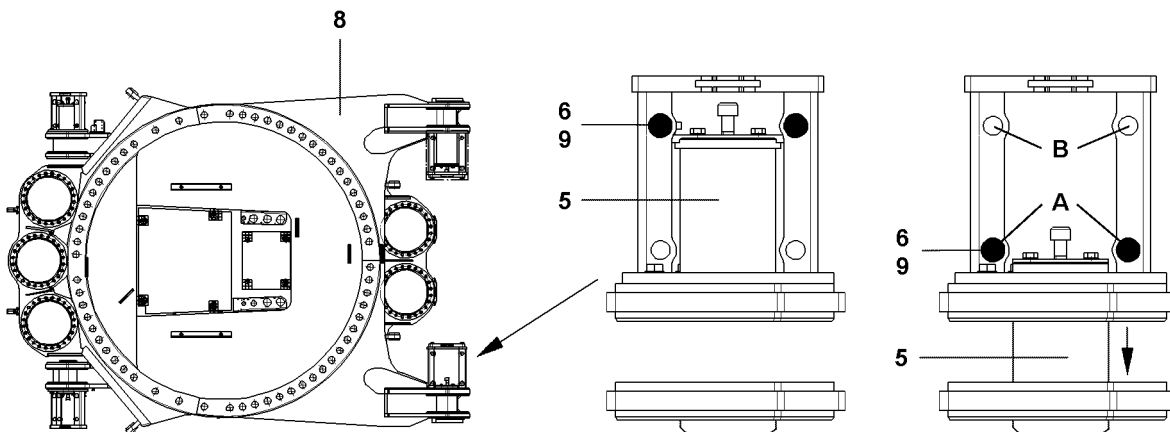
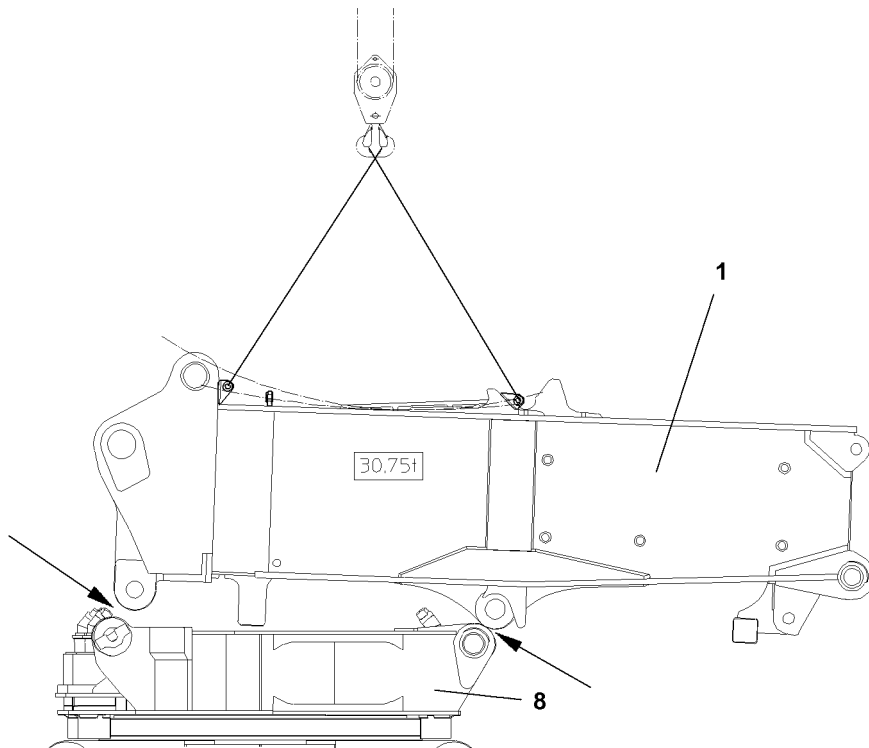
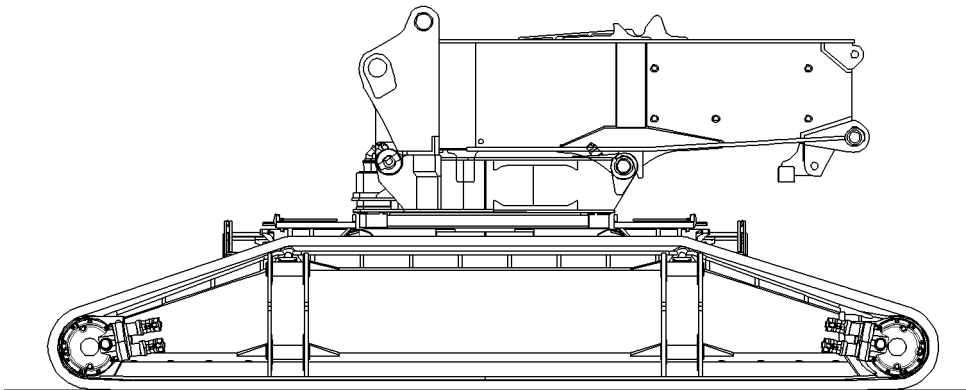


Fig.102763

LWE/LR 11350-005/19004-04-02/en

4.7 Disassembly turntable, front section

Ensure that the following preconditions are met:

- the tackle is pinned and secured on the assembly eye hooks
 - winches 1 and 2 are not installed
 - Disconnect the electric and hydraulic connections on the rotary connection to the turntable.
-
- ▶ Hang the turntable front section **1** on the auxiliary crane and tension tackle.
 - ▶ Release and unpin the turntable front section **1** on the turn section **8** on the front and rear.
 - ▶ Unpin the retaining pin **6** on **A** and pin on **B** and secure.
 - ▶ Unpin the pin **5** with the hydraulic pin pulling device.

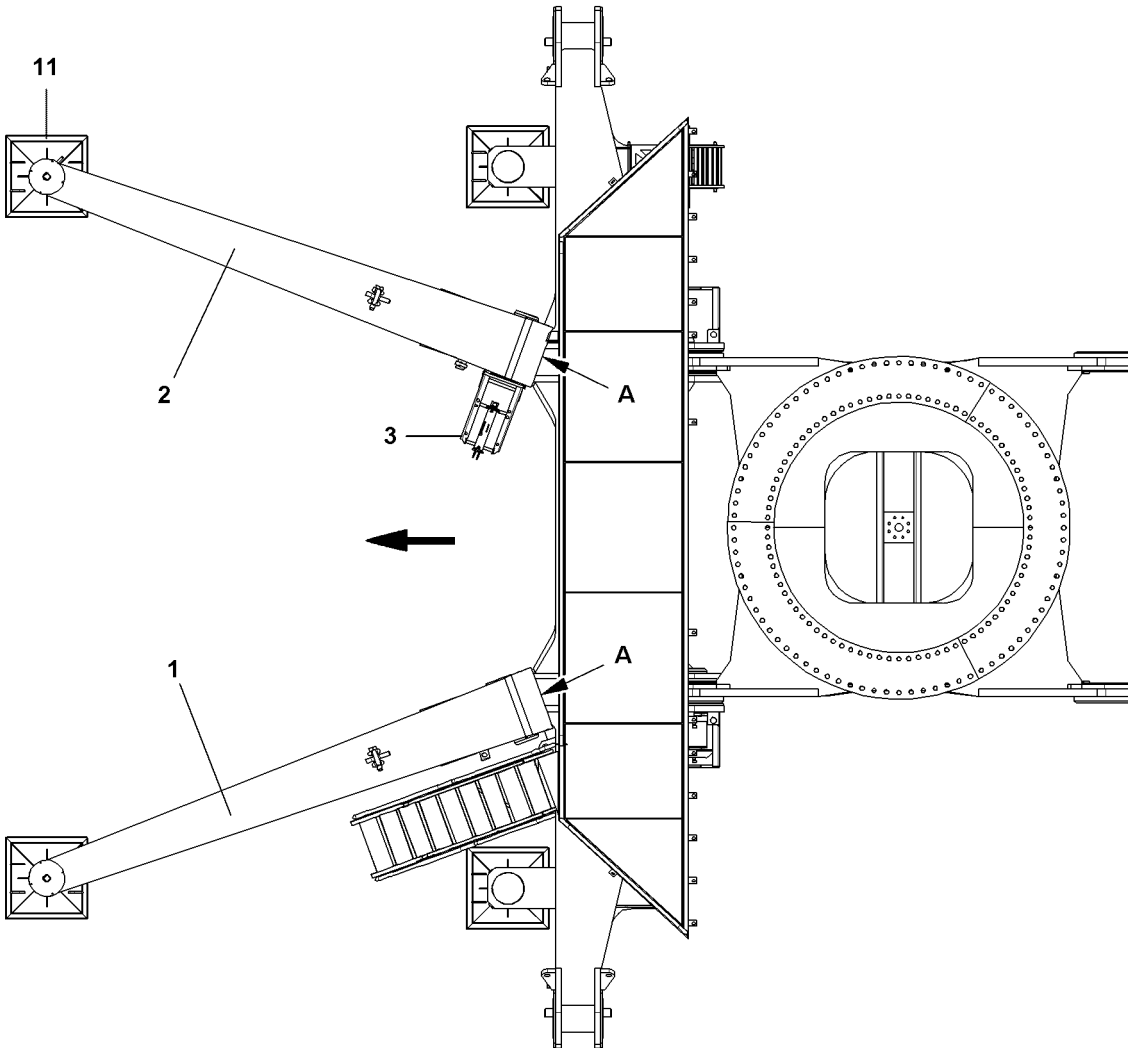
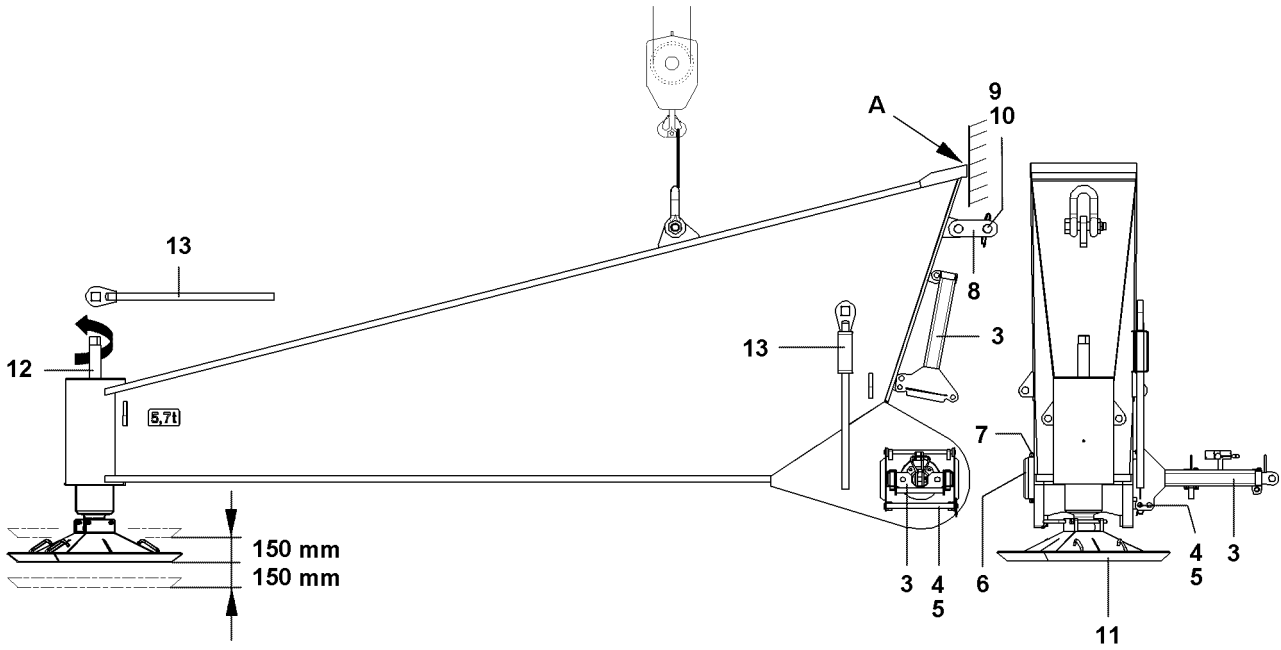


Fig.103423

1 Components

	Description	Weight
1	mech. auxiliary support, left	5.7 t
2	mech. auxiliary support, right	5.7 t
3	Cylinder retainer	—

2 Assembly

The mechanical auxiliary support is required to erect and take down long boom combinations.



Note

- ▶ Observe the data in the erection and take down charts!



DANGER

Risk of toppling the crane!

- ▶ If long boom combinations are erected or taken down without mechanical auxiliary support, the crane can tip over and fatally injure personnel.
- ▶ Pin the mechanical auxiliary support and turn the spindle to lay the support plates on the ground.

Ensure that the following preconditions are met:

- the crawler carriers are installed
- the crane is aligned in horizontal direction
- an auxiliary crane is available

2.1 Assembly procedure

- ▶ Hang the mechanical auxiliary support **1** on the auxiliary crane and swing to the pin points on the cross carrier.
- ▶ Hang the cylinder retainer **3** on the auxiliary support, pin and secure. Insert the pin **4** and secure with safety spring **5**.
- ▶ Hang the pin pulling cylinder and establish the hydraulic connection to the pin pulling unit.
- ▶ Insert pin **6** and secure with retaining pin **7**.



Note

- ▶ Repeat the same procedure with the mechanical auxiliary support **2** as described for the mechanical auxiliary support **1**.

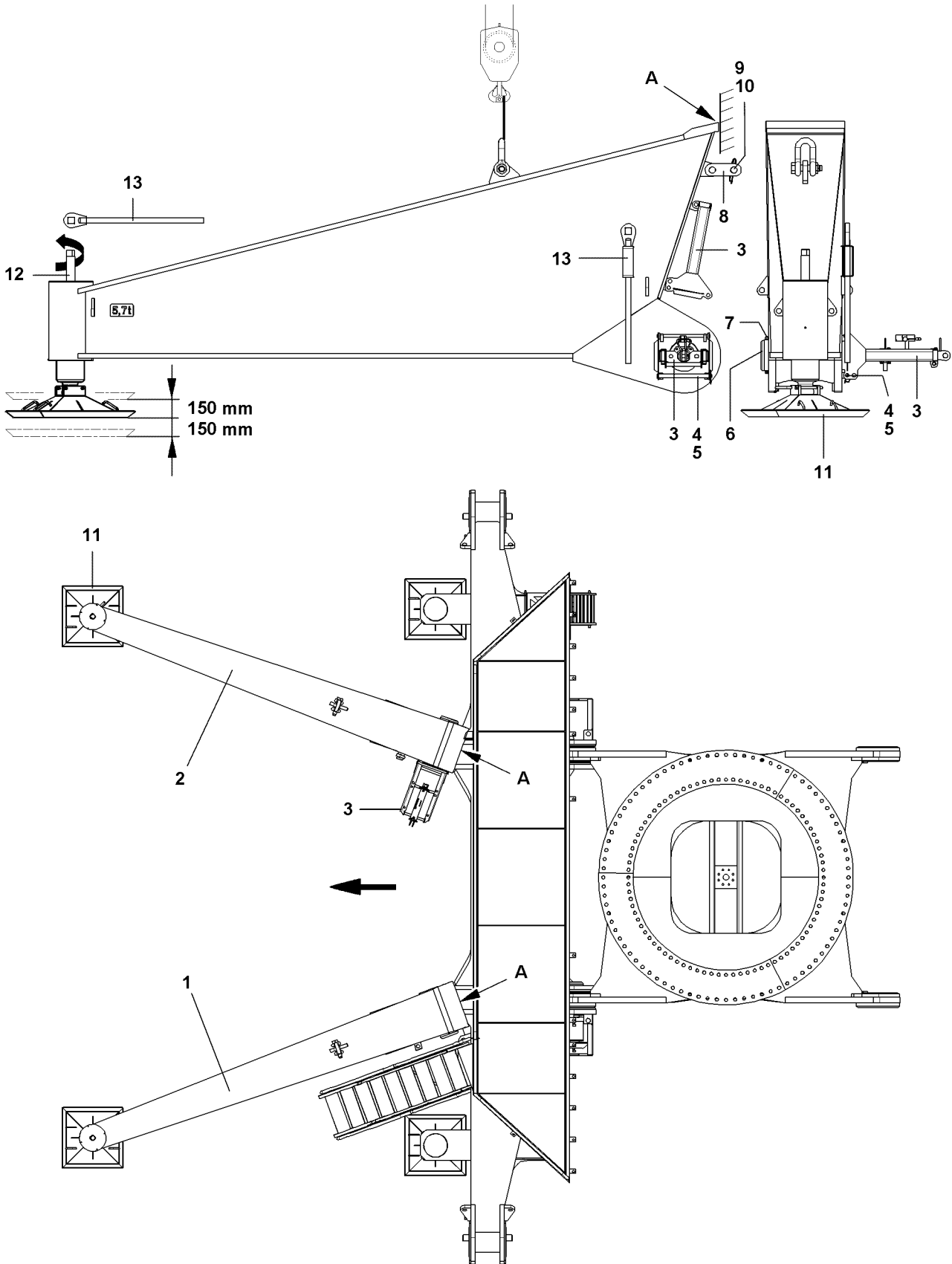


Fig.103423

**DANGER**

Risk of toppling the crane!

- ▶ The mechanical auxiliary support is only an erection and take down aid device.
- ▶ The increase of stability momentum of the mechanical auxiliary support may not be used to increase the load momentum.
- ▶ If this is not observed, the crane can tip over and fatally injure personnel.
- ▶ The support pads must be made large enough for the ground conditions, with solid materials, such as wood, steel or concrete slabs.

-
- ▶ Pin bracket **8** on the cross carrier. Insert the pin **9** and secure with safety spring **10**.
 - ▶ Lay the support pad **11** on the ground by turning the spindle **12** with the hand crank **13**.

**Note**

- ▶ Adjustment range of support pad: Height +/- 150 mm , incline 5 ° – 10 °

**DANGER**

Danger of accidents during erection and take down!

The auxiliary support must touch **on top A** on the cross carrier. If this is not observed, the boom can move jerkily during erection and take down.

- ▶ Adjust the support pad **11** with the spindle **12** until there is a tight contact with the ground.
-
- ▶ Lift the mechanical auxiliary support with the auxiliary crane until it touches **on top A** on the cross carrier.

Empty page!

LWE/LR 11350-005/19004-04-02/en

4 Operation of crane superstructure

LWE/LR 11350-005/190004-04-02/en

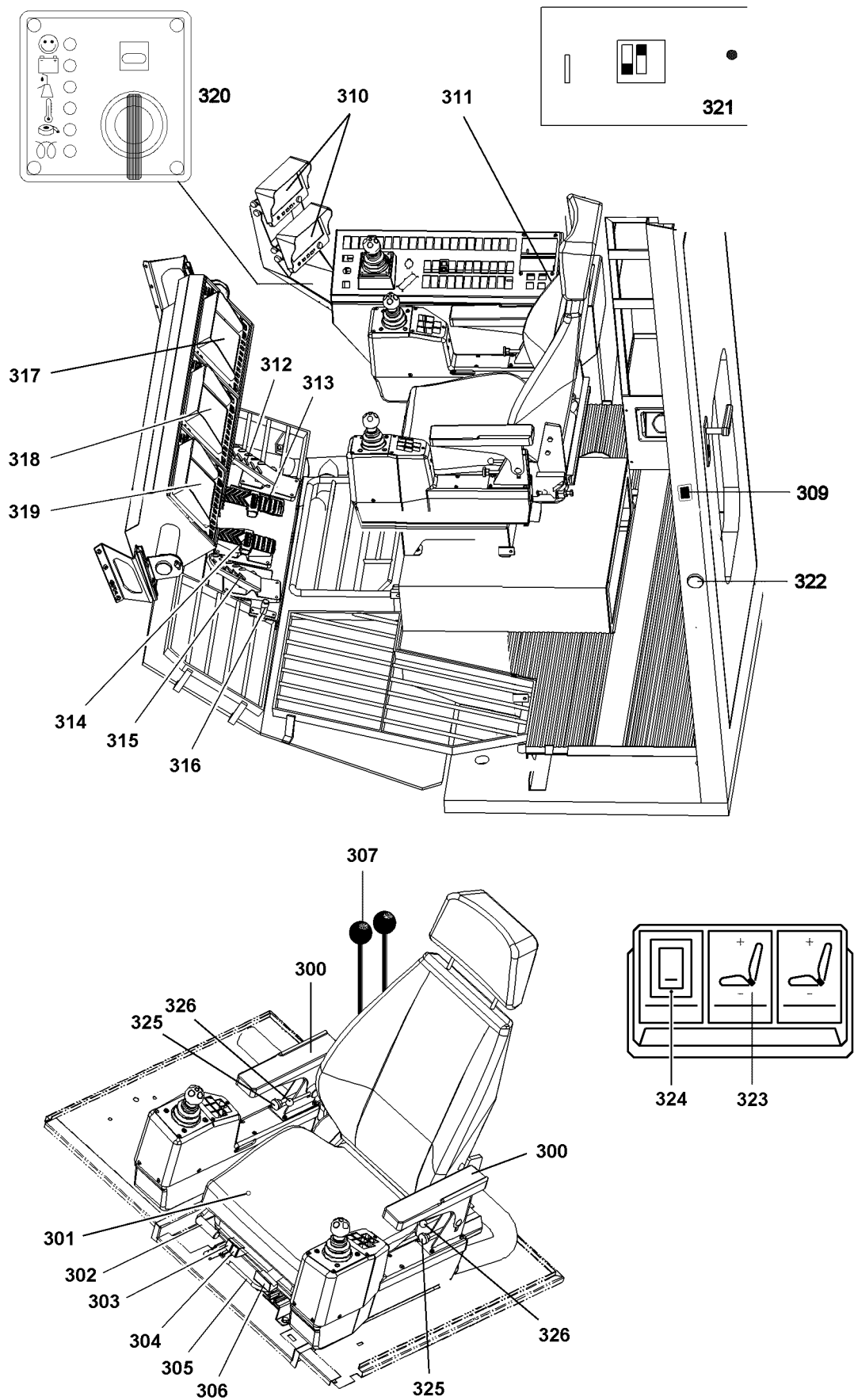


Fig.106362

LWE/LR 11350-005/19004-04-02/en

1 Operating and control instruments

1.1 General operating elements

- 300** Armrest
- 301** Seat contact button
- 302** Manual lever
 - Adjustment of seat cushion incline
- 303** Button
 - Lumbar support in lower part of backrest
- 304** Button
 - Lumbar support in upper part of backrest
- 305** Manual lever
 - Lock for horizontal seat adjustment
- 306** Manual lever
 - Backrest incline adjustment
- 307** Manual control lever
 - Insert manual control lever in foot rocker **313** and foot rocker **314**.
 - Move the crawler forward or backward on the left hand side
 - Move the crawler forward or backward on the right hand side
- 309** Switch
 - Cab lighting
- 310** Monitors
 - Camera monitoring - winches
- 311** Socket 24 V
- 312** Pedal
 - Engine regulation
- 313** Foot rocker (MS 5)
 - Move the crawler forward or backward on the right hand side
- 314** Foot rocker (MS 4)
 - Move the crawler forward or backward on the left hand side
- 315** Pedal
 - Foot brake - Slewing gear
- 316** Foot button
 - Coasting slewing gear
- 317** LICCON monitor 0
- 318** LICCON monitor 1
- 319** LICCON monitor 2
- 320** Instrument box
 - Hatz Diesel
- 321** Switch
 - Air conditioning system
- 322** EMERGENCY OFF switch
- 323** Button
 - Suspension backrest
- 324** Switch
 - Turn the seat heater on / off
- 325** Set screw
 - Adjustment of armrest incline
- 326** Locking lever
 - Armrest height adjustment

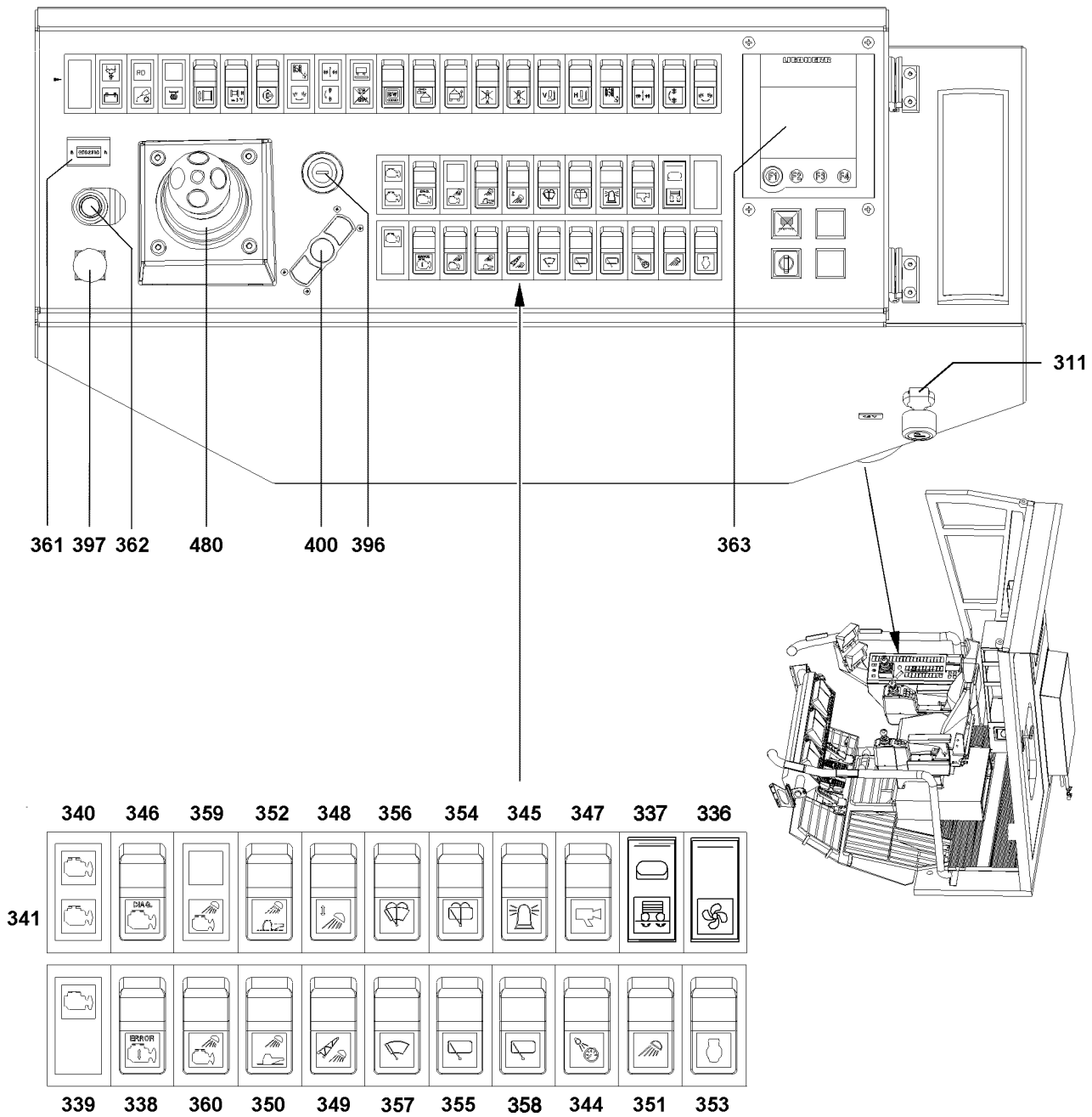


Fig.113007

1.2 Control elements - instrument panel I

- 336** Switch
 - Blower - front windshield
- 337** Switch
 - Drive of ballast trailer
- 338** Button
 - ERROR Engine

Note:
Turn on switch **346**, press button **338** and search for engine error.
- 339** Error code light
 - White, issue of error messages crane engine, see Crane operating instructions, chapter 7.15.
- 340** Error code light
 - Red, issue of error messages crane engine, see Crane operating instructions, chapter 7.15.
- 341** Error code light
 - Yellow, issue of error messages crane engine, see Crane operating instructions, chapter 7.15.
- 344** Switch
 - Instrument panel illumination, reading light
- 345** Switch
 - Airplane warning light
- 346** Switch
 - DIAGNOSTICS engine
- 347** Switch
 - Camera illumination
 - Position 1:
 - Illumination winch 3, winch 5, winch 6
 - Position 2:
 - Illumination winch 1 to winch 6
 - Illumination to the rear
- 348** Button*
 - Height adjustment working floodlight, boom pivot section
- 349** Switch*
 - Working floodlight on the boom pivot section
- 350** Switch*
 - Illumination turntable, access center section
- 351** Switch*
 - Illumination, pedestal, cab rear
- 352** Button
 - Illumination, access center section
 - When the engine is turned off, the illumination is limited to 5 minutes.
- 353** Switch
 - Electrical socket turntable
- 354** Button
 - Windshield washer system - roof window
- 355** Switch
 - Windshield wiper - roof window, 2 stages: 1 intermittent, 2 wipe
- 356** Button
 - Windshield washer system front window
- 357** Switch
 - Windshield wiper - front window, 2 stages: 1 intermittent, 2 wipe

- 358** Switch
 - Window wiper skylight
- 359** Indicator light
 - Illumination switch box and machine house
- 360** Switch
 - Illumination switch box and machine house
- 361** Operating hour meter
 - Recording of crane operating hours
- 362** Opener
 - Instrument panel
- 363** Touch display
 - Heater and air conditioning system

Empty page!

LWE/LR 11350-005/19004-04-02/en

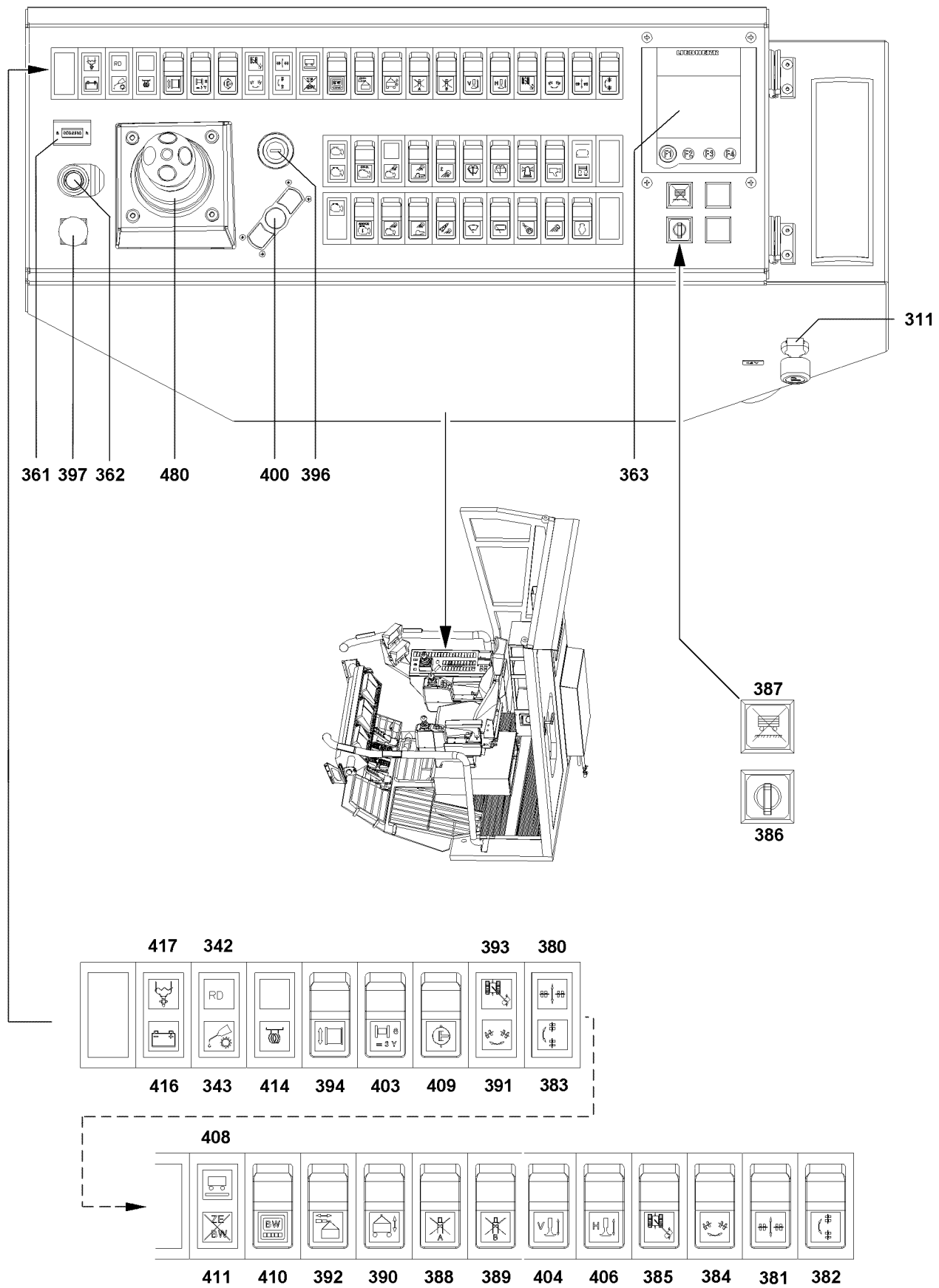


Fig.112562

LWE/LR 11350-005/19004-04-02/en

1.3 Control elements - instrument panel II

- 342** Indicator light
 - Problem central lubrication slewing ring
- 343** Indicator light
 - Operation central lubrication slewing ring
- 380** Indicator light
 - Ballast trailer wheels in towing position
- 381** Button*
 - Turn the ballast trailer wheels into towing position
- 382** Button*
 - Steering, turn ballast trailer wheels to the left and right
- 383** Indicator light*
 - Ballast trailer wheels turned to the left and right
- 384** Button*
 - Turn ballast trailer wheels in circular driving position
- 385** Button*
 - Turn ballast trailer wheels into parallel driving position
- 386** Key button
 - Ballast trailer lifted off, see Crane operating instructions, chapter 5.11.
 - Press momentarily to turn on „Ballast trailer lifted off“, self retention. This is shown by the blinking warning light in button **387**.
- 387** Button with warning light
 - Ballast trailer not lifted off
 - Press the button **387** to turn off „Ballast trailer lifted off“. The warning light in the button turns off.
- 388** Button
 - Stop cylinder (A) on the derrick ballast
- 389** Button
 - Stop cylinder (B) on the derrick ballast
- 390** Button
 - Lower and raise the derrick ballast
- 391** Indicator light*
 - Ballast trailer wheels in circular driving position
- 392** Button*
 - Telescope the ballast trailer in and out
- 393** Indicator light*
 - Ballast trailer wheels in parallel driving position
- 394** Button
 - Spool assembly winch up and out
- 396** Ignition switch
 - Engine
- 397** EMERGENCY OFF switch
- 400** Micro module (Mouse)
 - Operation LICCON job planner
- 403** Switch
 - Assignment of winch 6 on master switch MS3y
- 404** Button*
 - Support cylinder Ballast trailer front down and up
- 406** Button*
 - Support cylinder Ballast trailer rear down and up
- 408** Warning light*
 - Ballast trailer support retracted

- 409** Button
 - Pressure supply for auxiliary users
- 410** Switch*
 - Change over from Monitor 1 to Test system control ballast trailer

Note:
Can only be switched over when the engine is off.
- 411** Warning light*
 - Control ballast trailer is not running or one of the turn sensors or length sensors is defective or missing.
- 414** Warning light
 - Engine preheating, flame start system
- 416** Warning light
 - Charge monitoring
- 417** Indicator light
 - Fuel condensation drainage

Empty page!

LWE/LR 11350-005/19004-04-02/en

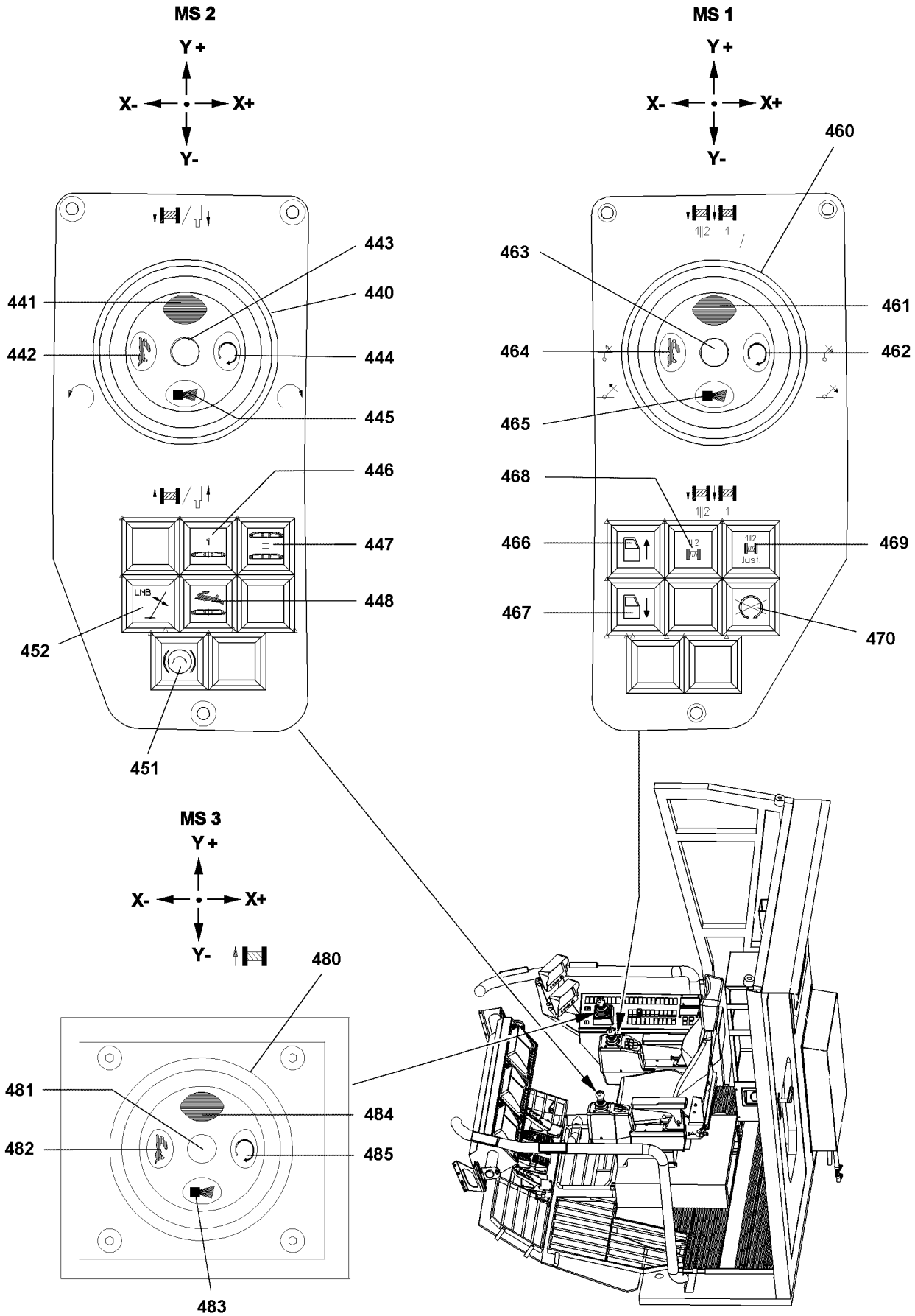


Fig.102768

LWE/LR 11350-005/19004-04-02/en

1.4 Operating elements on control panel

Control console, left:

- 440** Master switch left (MS 2)
- **Note:**
For assignment of master switches to operating modes, see Crane operating instructions, chapter 4.05.
- 441** Button
- Bypass of seat contact button. **Or** if the seat contact button is actuated: Addition of the vibration sensor **441**
- 442** Button
- Power Plus addition, crane operation
- 443** Vibration sensor
- Turn sensor, slewing gear and winches
- 444** Button
- Engine rpm lock
- Note:**
By pressing the button **444** the engine rpm is locked in the current state.
- 445** Button
- Horn
- 446** Switch **446** with indicator light
- Crawler operation On / Off
- Note:**
The indicator light lights up when crawler operation is „ON“.
- 447** Switch **447** with indicator light
- Crawler parallel driving On / Off
- Note:**
The indicator light lights up when crawler parallel driving is „on“.
- 448** Switch **448** with indicator light
- Crawler rapid gear On / Off
- Note:**
The indicator light lights up when crawler rapid gear is „on“.
- 451** Switch **451** with indicator light
- Turn slewing brake Off / On
- Note:**
The indicator light lights up when the slewing brake is „On“.
- 452** Button
- „Luffing in with suspended load“
Pressing the button releases „Luffing in with suspended load“.
- Danger:**
The exceedance of the overload protection may only be carried out if the overload with freely suspended load has been caused by a load moment increasing crane movement and the crane operator is absolutely certain that he can leave the overload range by „Luffing in with suspended load“. See Crane operating instructions, chapter 4.20.

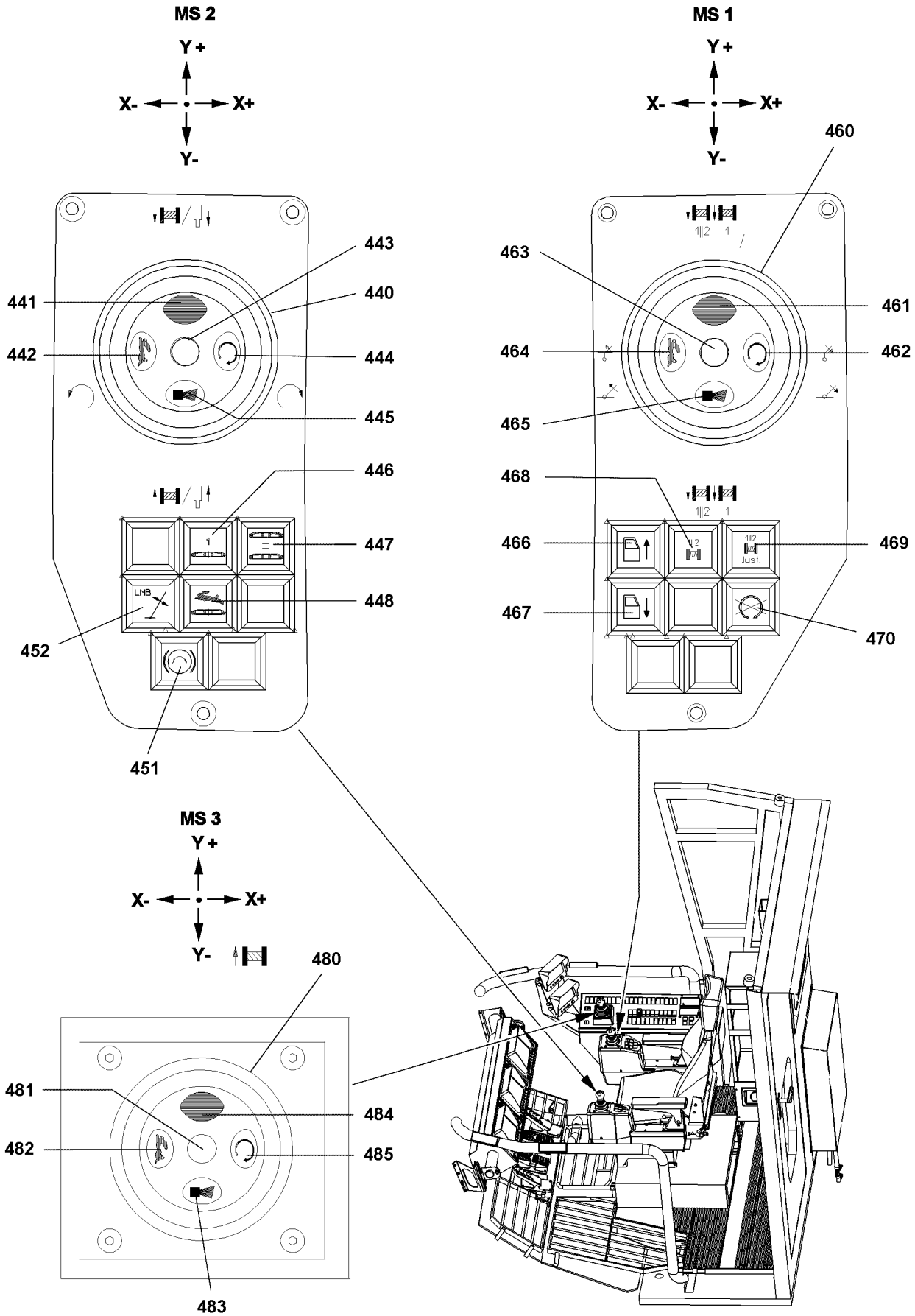


Fig.102768

LWE/LR 11350-005/19004-04-02/en

Control console, right:

- 460** Master switch - right (MS 1)
- 461** Button
 - Bypass of seat contact button. **Or** if the seat contact button is actuated: Addition of the vibration sensor **461**
- 462** Button
 - Engine rpm lock
 - Note:**
By pressing the button **462** the engine rpm is locked in the current state.
- 463** Vibration sensor
 - Turn sensor, slewing gear and winches
- 464** Button
 - Power Plus addition, crane operation
- 465** Button
 - Horn
- 466** Button
 - Tilting the cab upward
- 467** Button
 - Move the cab into horizontal position
- 468** Switch **468** with indicator light
 - Parallel operation Winch 1 II 2
 - Note:**
The indicator light lights up when parallel operation winch 1 II winch 2 is „On“.
- 469** Button
 - Adjusting parallel control Winch 1 II winch 2
 - Note:**
Adjust only with parallel hook blocks, parallel control Winch 1 II winch 2.
- 470** Button
 - Engine stop
- 480** Master switch 3 (MS 3)
- 481** Vibration sensor
 - Turn sensor, slewing gear and winches
- 482** Button
 - Power Plus addition, crane operation
- 483** Button
 - Horn
- 484** Button
 - Bypass of seat contact button. **Or** if the seat contact button is actuated: Addition of the vibration sensor **484**
- 485** Button
 - Engine rpm lock
 - Note:**
By pressing the button **485** the engine rpm is locked in the current state.

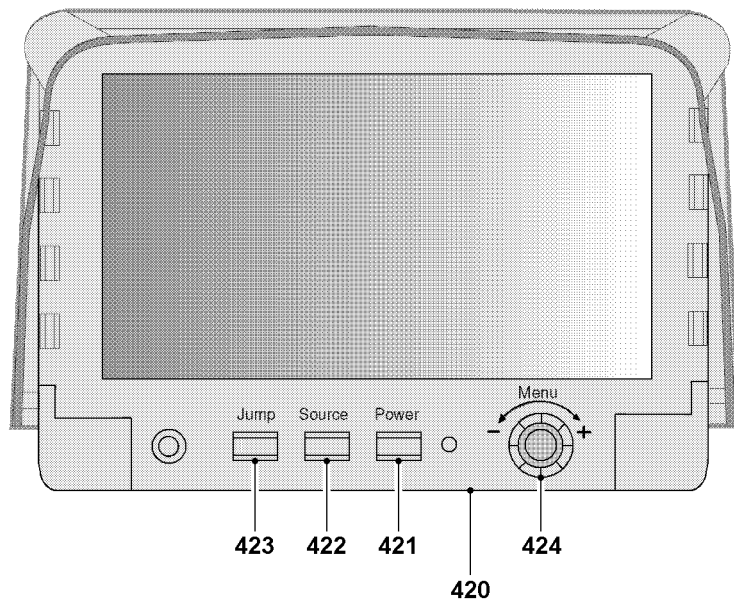


Fig.107376

1.5 Camera monitoring

1.5.1 Monitor with rotary selection switch

- 420 TFT monitor
- 421 Key „Power“
 - Monitor On / Off
- 422 Button „Source“
 - By pressing the „Source“ key in turned on condition, the view on the monitor is changed.
- 423 Button „Jump“
 - By pressing the „Jump“ key, the preset camera inputs can be selected.
- 424 Selection knob / pressure switch
 - The selection menu on the monitor is activated by pressing the selection knob / pressure switch.
 - Note:**
If no adjustments are made after activation of selection on the monitor, then the selection turns off by itself after several seconds.
 - When the selection menu is activated, a menu point can be selected by turning the selection knob / pressure switch. The selected menu point is highlighted in „Yellow“. Press the selection knob / pressure switch to change the color from „Yellow“ to „Red“. This selects the desired function.

Selection menu

- **Screen adjustments**

- Note:**

- The following adjustments can be made in the menu „Screen adjustments“.

- Brightness
 - Contrast
 - Color
 - Hue
 - Automatic brightness control
 - Direction display
 - Back

- **OSD settings**

- Note:**

- The following adjustments can be made in the menu „OSD adjustments“.

- Display
 - Distance display
 - Back

- **Camera adjustments**

- Note:**

- The following adjustments can be made in the menu „Camera adjustments“.

- Reflection
 - Changeover
 - Video outlet
 - Back

- **Reset**

- The display is reset to default settings.

- **Output**

- OSD selection is ended.

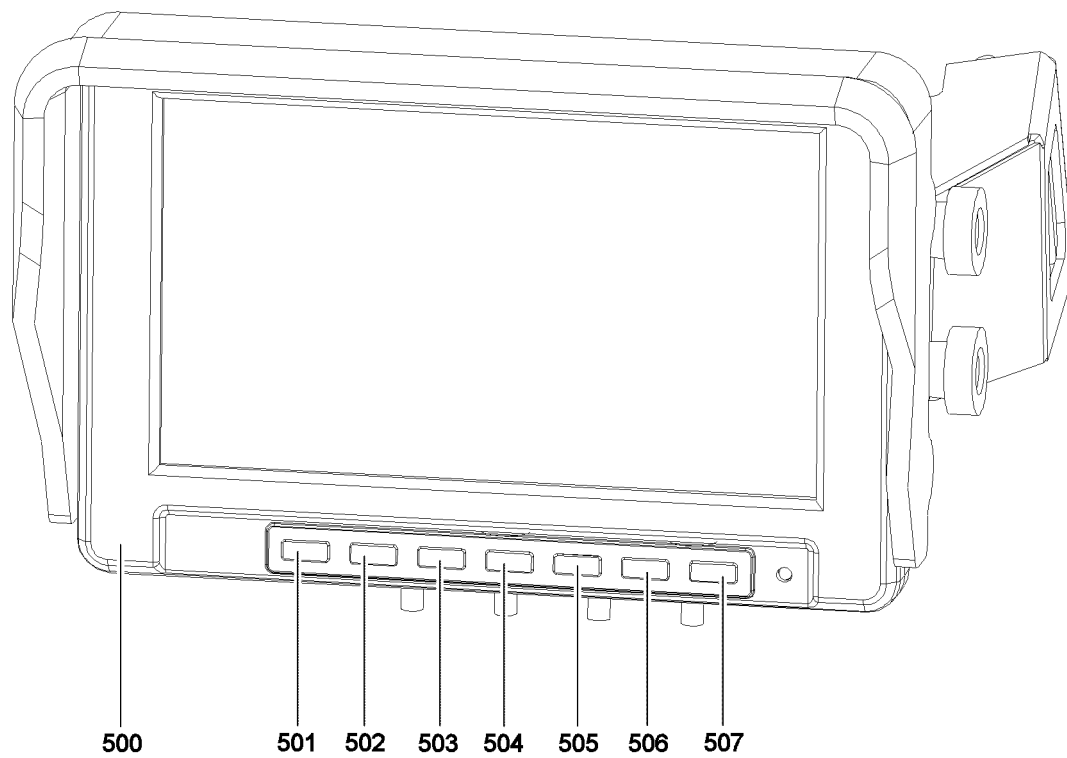


Fig.107370

1.5.2 Monitor with keypad

500 TFT monitor

501 Key

- Monitor On / Off

502 Button „MODE“

- By pressing the button „MODE“ the system changes between the individual display modes:
 - Single display mode
 - Split display mode
 - Tripled or quadrupled display mode

503 „Camera selection“ button

- By pressing the button „Camera selection“ the system changes between the cameras:
 - Single display mode:
Change between camera 1 and camera 2.
 - Split display mode:
Change between cameras 1/2, 2/3, 3/4 and camera 4/1.
 - Tripled or quadrupled display mode:
Button has no function.

504 Menu button

- By pressing the „Menu“ button, menus for various adjustments are called up and changed over, in the following order:
 - Color:
Set color saturation.
 - Brightness:
Set brightness.
 - Contrast:
Set contrast.
 - Standard:
Reset to default settings.
 - Volume:
Set volume.
 - Language:
Set language (English, French, German, Spanish, Italian, Portuguese, Polish).
 - Mirroring:
Mirror (save) the camera screen. Return to the main menu with „Enter“. End menu with „End“.

505 „Minus“ key

- By pressing the „Minus“ key, the value of a setting is reduced.

506 „Plus“ key

- By pressing the „Plus“ key, the value of a setting is increased.

507 Button „Change between day / night“

- Press the button „Change over day / night“ to match the brightness of the display to the time of day.

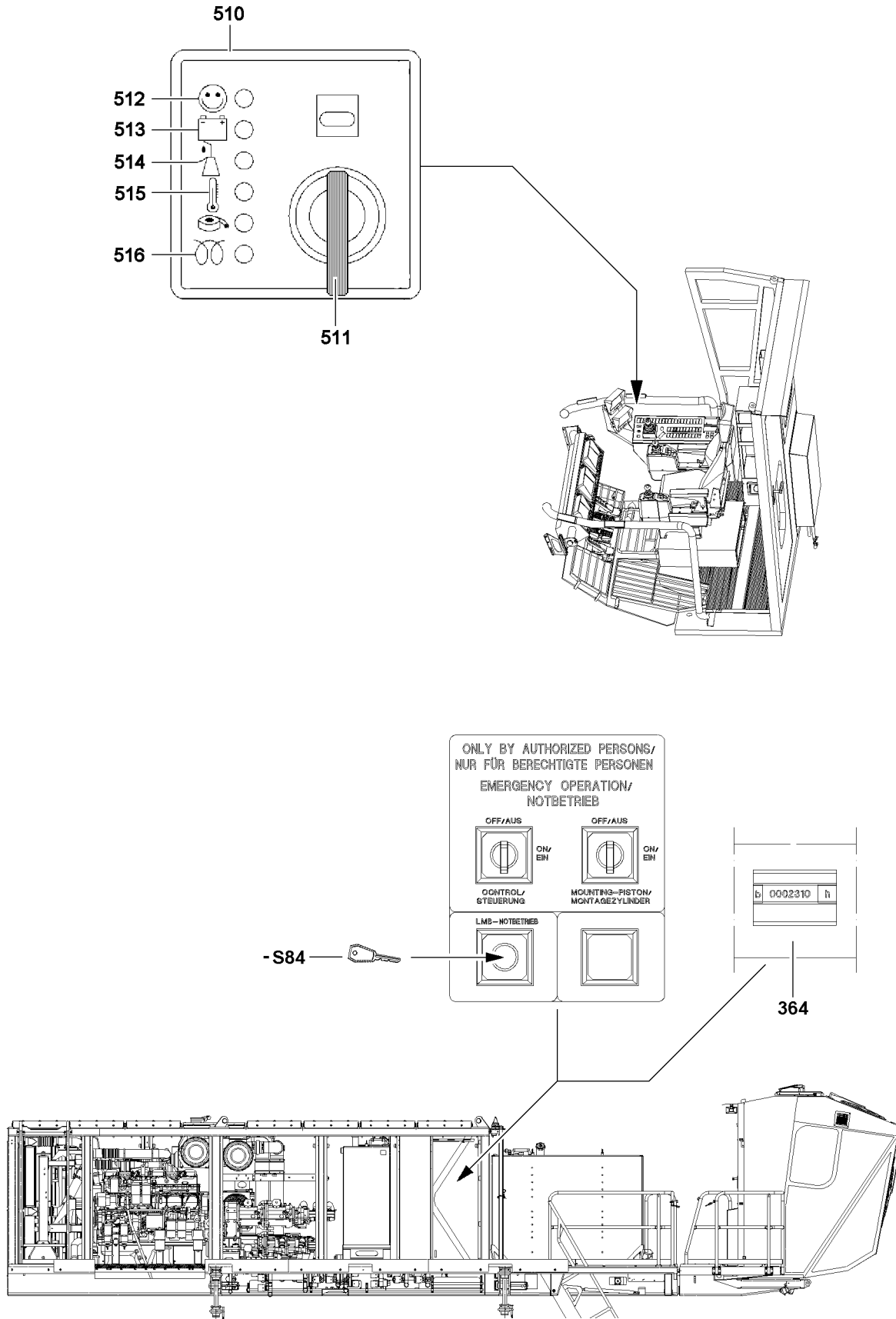


Fig.113008

1.6 Operating elements power aggregate

- 510** Operating unit
 - Power aggregate - diesel generator
- 511** Switch
 - Start the Hatz Diesel engine
- 512** Indicator light
 - Hatz Diesel engine in operation
- 513** Charge indicator light
- 514** Indicator light
 - Oil pressure
- 515** Warning light
 - Cylinder head temperature too „high“
- 516** Indicator light
 - The preglow display lights up at temperatures below 0 °C. Start the engine immediately after it turns off.

1.7 Operating elements machine house

- 364** Operating hour meter
 - Recording of crawler operating hours
- S84** Key switch
 - LMB emergency operation

Fig.199898

1 General



Note

- ▶ The monitor illustrations in this chapter are only examples!
 - ▶ The numerical values in the individual icons and charts do not have to necessarily match the crane exactly!
 - ▶ Numbers and letters can be replaced by place holders!
 - ▶ In addition, many of the illustrations show the maximum configuration of the LICCON monitor with icons!
 - ▶ In normal crane operation, an identical display will **not** appear on the LICCON monitor!
-

The LICCON computer system is a computer system for controlling and monitoring mobile and crawler cranes. In addition to the overload protection (Load moment limitation = **LMB**) there are a number of application programs that can be used for controlling and monitoring the crane movements.

Currently the LICCON computer system includes the following application programs:

- Set up program
- Crane operation program
 - Crane operation program on monitor 0
 - Crane operation program on monitor 1
- Control parameter program
- Engine monitoring program
- LICCON computer system in stand-by mode

The electrical and electronic components are linked via data bus transmission technology (Liebherr System Bus = LSB).

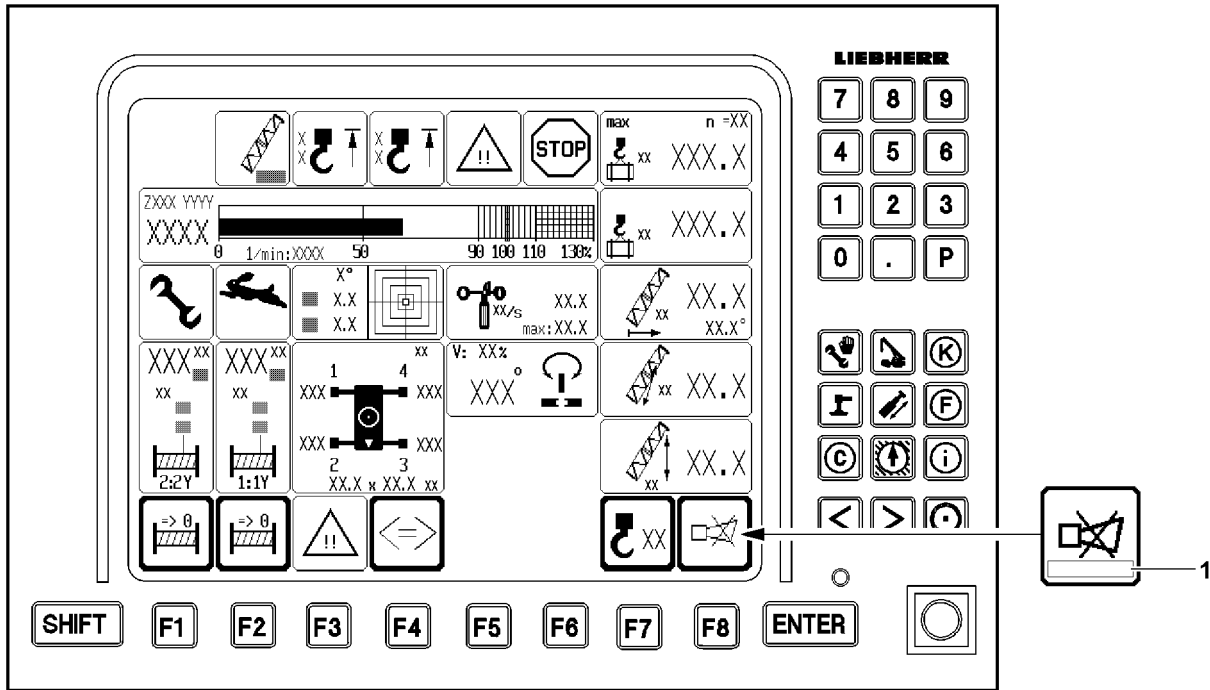


Fig.111937

1.1 Overload protection (LMB)

Overload protection is implemented in microprocessor CPU 0 of base assembly 0. The LICCON computer system works on the principle of comparing the current / actual load with the maximum permissible load according to the load chart and reeving.

1.1.1 Actual load

The current load is determined by recording variable values.

The **load on the crane** results from the load momentum and the boom momentum together. It exerts a force in the boom guying, which is measured by force test sensors.

The **boom momentum** is calculated from angle sensor information (boom angle) and the crane data (boom weights) for the set operating mode.

The **radius** is calculated with data from the angle sensors (boom angle) and the geometric data for the set operating mode. This also takes into account the boom flexation due to its own weight and the weight of the load.

The actual load is calculated from the total load, the boom momentum and the boom radius.

1.1.2 Maximum load according to load chart and reeving

Crane data such as load charts, boom weights and geometry data are stored in the central data memory of the LICCON computer system.

The „Maximum load according to the load chart and reeving“ is constantly determined for the set crane configuration, for the set reeving and for the calculated radius, based on the load charts.

1.1.3 Comparison

The actual load and the „Maximum load according to the loading chart and reeving“ are compared. When they approach the specified limit, an advance warning is issued. If this limit is exceeded, an LMB-STOP is triggered and any crane movements which increase the load momentum are turned off.

1.2 Error messages

The LICCON computer system monitors the crane permanently for operating / system errors.

If errors occur, error messages **1** are issued. Error messages appear in the horn icon of LICCON monitor 0.



Note

- ▶ Always pay attention to error messages **1**!
- ▶ For procedure in case of error messages, see Diagnostics manual and the respective chapter in the Crane operating instructions!

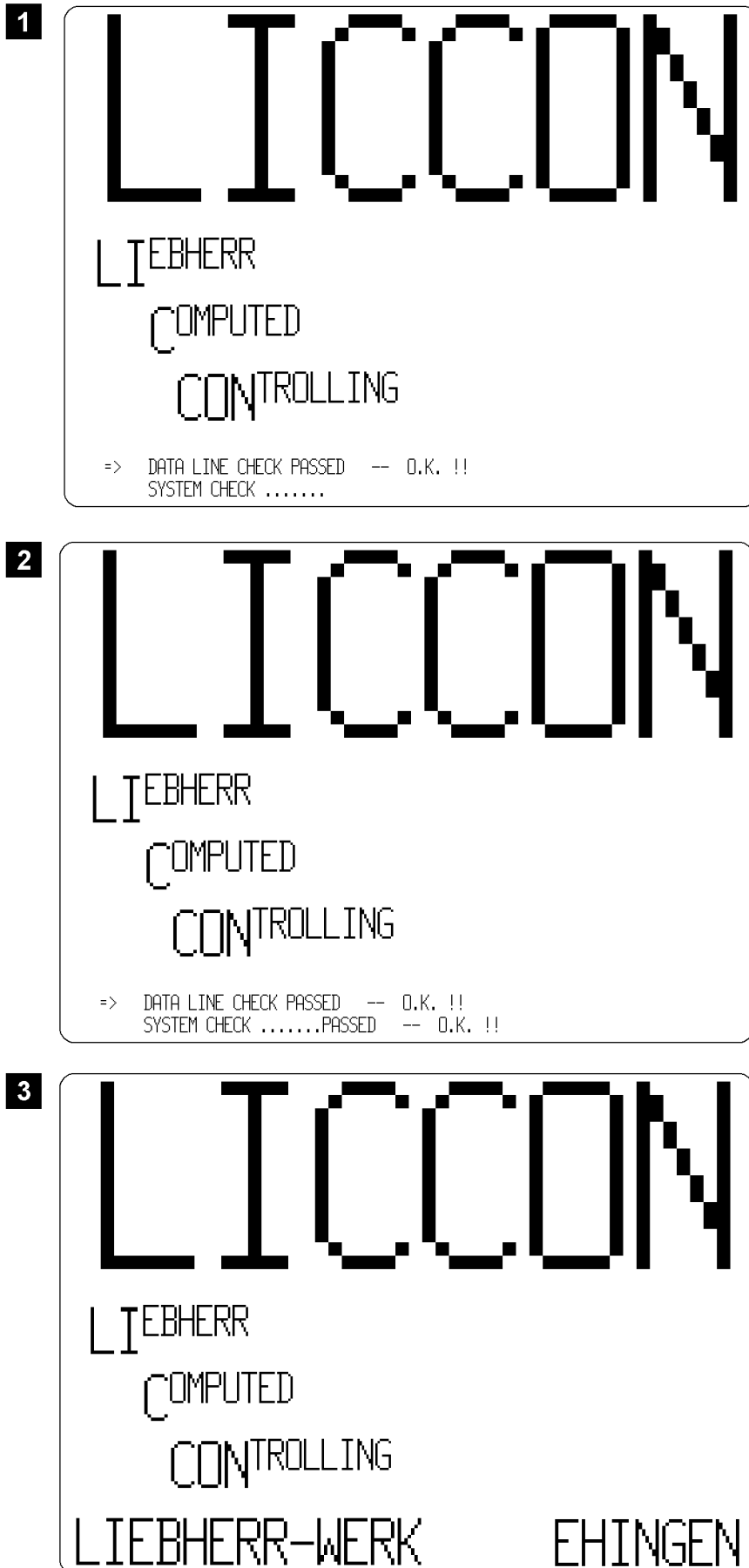


Fig.199899

2 LICCON computer system boot up

There are two operating modes for the LICCON computer system:

- LICCON computer system in normal mode (crane engine turned on).
- LICCON computer system in stand-by mode (crane engine turned off).

Starting in normal mode:

- Boot up of LICCON computer system in connection with a started crane engine.

Starting in stand-by mode:

- See Section „LICCON computer system in stand-by mode“.

After it is turned on, the LICCON computer system performs a self test.

First the connections from the microprocessor CPU (ZE 0) to the monitor are checked. If no error was found during the test, then the monitor shows the message „O.K. !!“, see illustration 1.

If the test finds no connection problems, there is a system test of all the microprocessor CPUs (CPU). The incremental sequence of the self test can be monitored on the 7 segment displays of the CPUs. If no error was found during the system test, then the monitor shows the message „O.K. !!“, see illustration 2.

Shortly after that, this general initialisation screen appears on the monitor, see illustration 3.



Note

Errors during LICCON computer system boot up!

If an error is found while the LICCON computer system boots up, then the boot up procedure is interrupted!

- ▶ For procedure if an error occurs while the LICCON computer system boots up, see Diagnostics manual!

3 Operating mode preselection on the LICCON computer system



WARNING

Danger of accident due to deviating set up configuration!

If the equipment set up configuration and the operating mode of the crane set on the LICCON computer system **does not** match, then the crane can be overloaded unnoticed and topple over!

Personnel can be severely injured or killed!

- ▶ In the operating mode preselection, only the operating mode may be selected which actually corresponds to the equipment set up configuration of the crane!

When the starting procedure is completed successfully after a successful self test of the LICCON computer system, the following appears on:

- **LICCON Monitor 0** for approx. 3 seconds the operating mode preselection screen.
- **LICCON Monitor 1** the title screen with the words: „LIEBHERR-WERK EHINGEN“

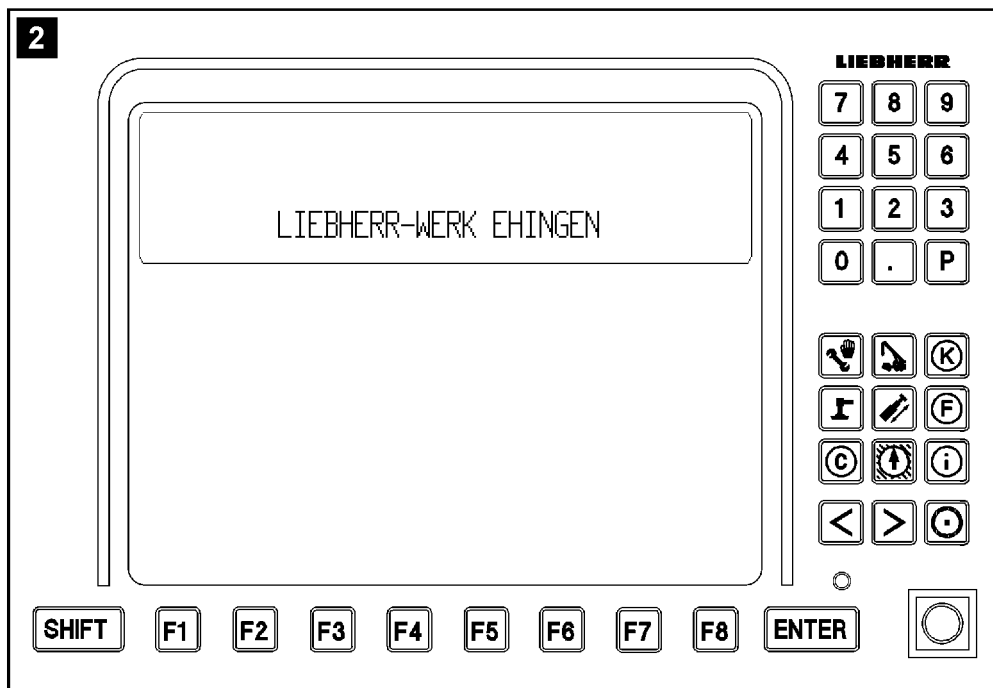
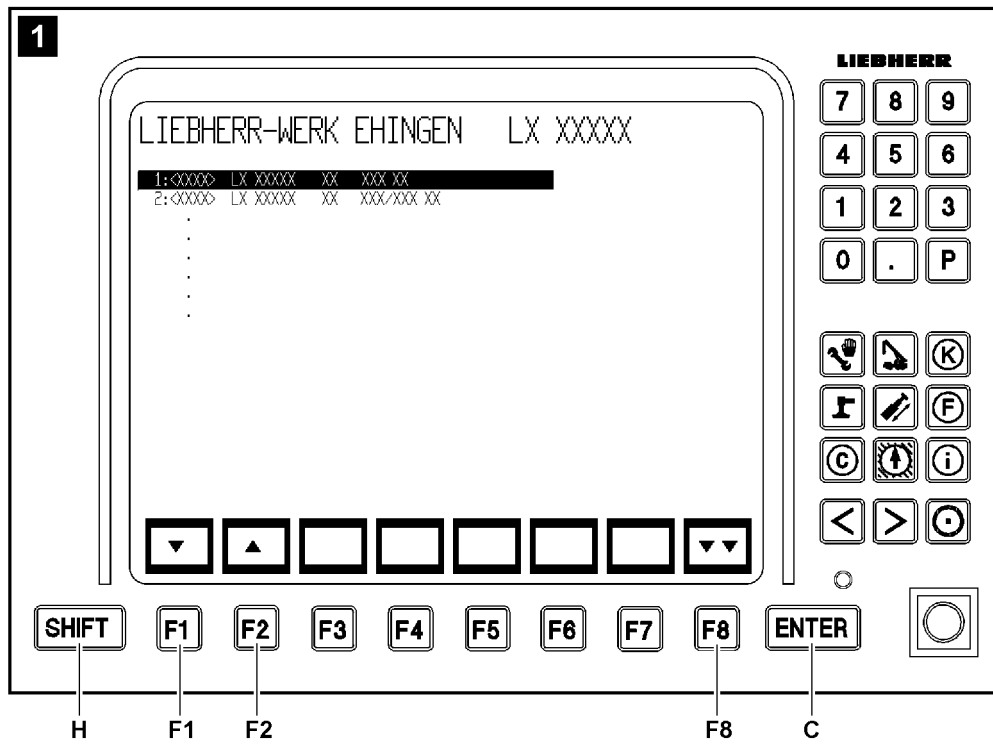


Fig.112950

LWE/LR 11350-005/19004-04-02/en

3.1 LICCON monitor 0

After successful starting procedure, the operating mode preselection screen appears on the **LICCON monitor 0** for approximately three seconds, see illustration 1.



Note

- ▶ The operating mode preselection screen is skipped if the crane only has one level! For example: The crane has only one S-boom (only S-operation possible)! In this case, the system changes directly into the set up screen for the only possible level!
- ▶ If the memory loses its data (for example as a result of a cold start) the previous operating mode is „rejected“ and the first operating mode in the operating mode selection menu is activated! In this case, the corresponding set up screen appears!

The function key **F1** or the function key **F2** is pressed within three seconds when the operating mode preselection screen appears.

Result:

- The operating mode preselection screen is retained until the settings are confirmed by pressing the function key **F8** or the ENTER key **C**.



Note

- ▶ If neither the function key **F1** nor the function key **F2** are pressed within three seconds, then the last active operating mode remains set. The corresponding set up screen appears automatically!

To select the required operating mode group for crane operation, press the function key **F1** (cursor down) or function key **F2** (cursor up).



Note

- ▶ The selected operating mode group is highlighted in black in the operating mode preselection screen on the monitor!

Press the function key **F8** or the ENTER key **C**.

Result:

- The set operating mode group is taken over into the LICCON computer system and the set up program appears with the corresponding set up screen.

3.2 LICCON monitor 1

After successful starting procedure, the title screen with the words appears on the **LICCON monitor 1**: „**LIEBHERR-WERK EHINGEN**“, see illustration 2.



Note

- ▶ Depending on the set up configuration of the crane, it is possible that a note for an operating mode appears!

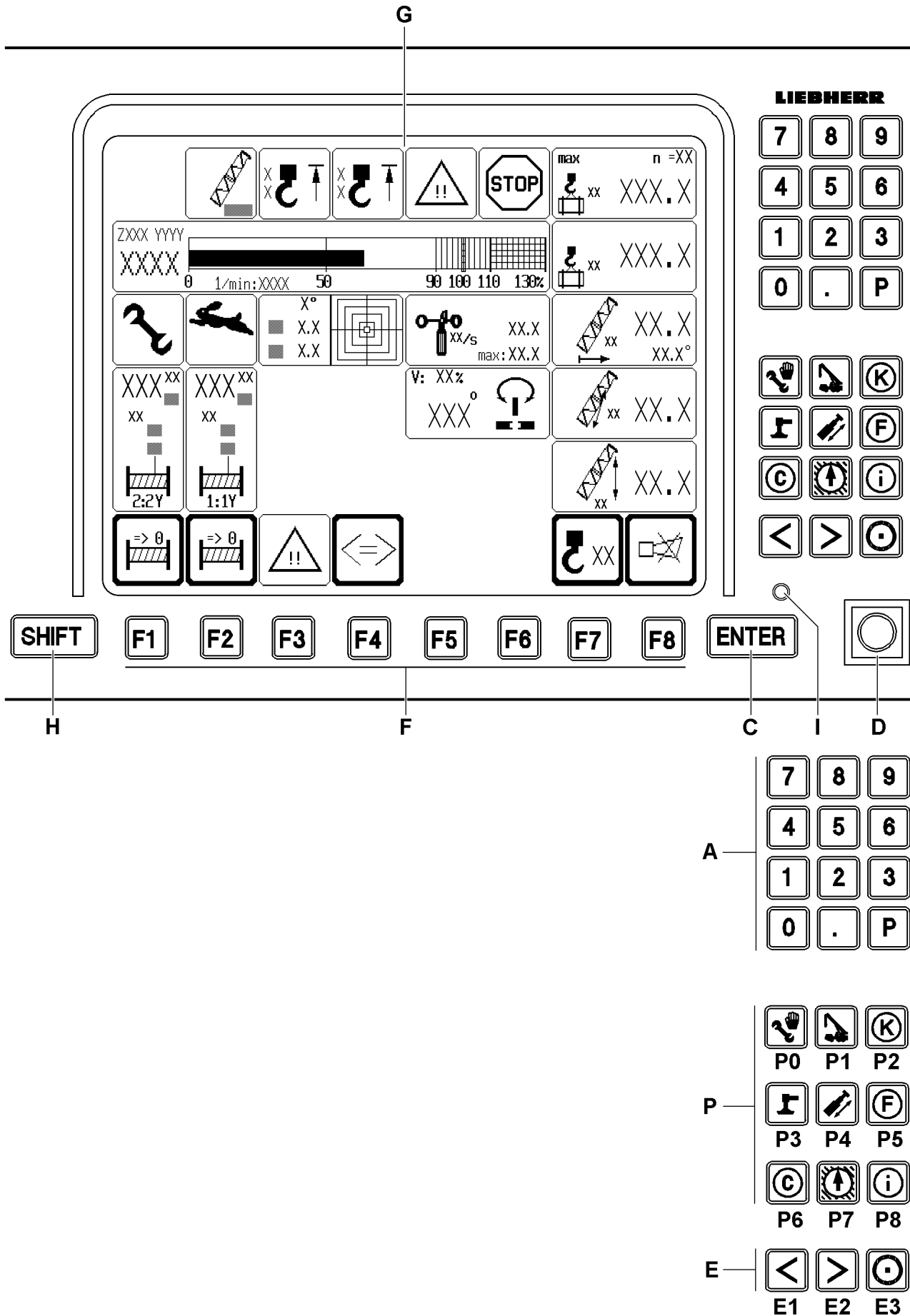


Fig.112357

4 Operating elements of the LICCON computer system on monitor 0

The functions of the individual monitor operating elements are program-dependent and can differ, depending on the LICCON program which is currently running. This will be described in more detail in the description of the individual LICCON programs.

- A** Keypad
- P** Program keys
 - Selection of the individual LICCON programs
- P0** Set up
 - **SHIFT** and **P0**: Engine monitoring
- P1** Crane operation
- P2** Crane acceptance
 - Correction coefficients (program blocked - for LIEBHERR service personnel only)
- P3** —
 - Program key not assigned!
- P4** —
 - Program key not assigned!
- P5** Input window hook block weight
- P6** Control parameter
- P7** —
 - Program key not assigned!
- P8** Test system
 - **Note:**
Description Test system, see Diagnostics manual!
- C** Input key ENTER
 - Confirmation of changes
- D** Set up key
 - Zero position (not actuated):
Normal operation
 - Touching:
Function „Exceedance of shut off limits of LICCON overload protection“ is released and / or the hoist limit switch is bypassed



Note

Double function set up key!

If the crane has **no** CE-mark, when actuating the set up key **D**, the release for the „Emergency operation LICCON overload protection“ is automatically engaged!

- ▶ Take into account, when actuating the set up key **D**, that the „Emergency operation LICCON overload protection“ is automatically released!



Note

- ▶ By actuating the set up key **D**, all erection / take down procedures can be carried out within the erection / take down charts, for which no load charts are available!

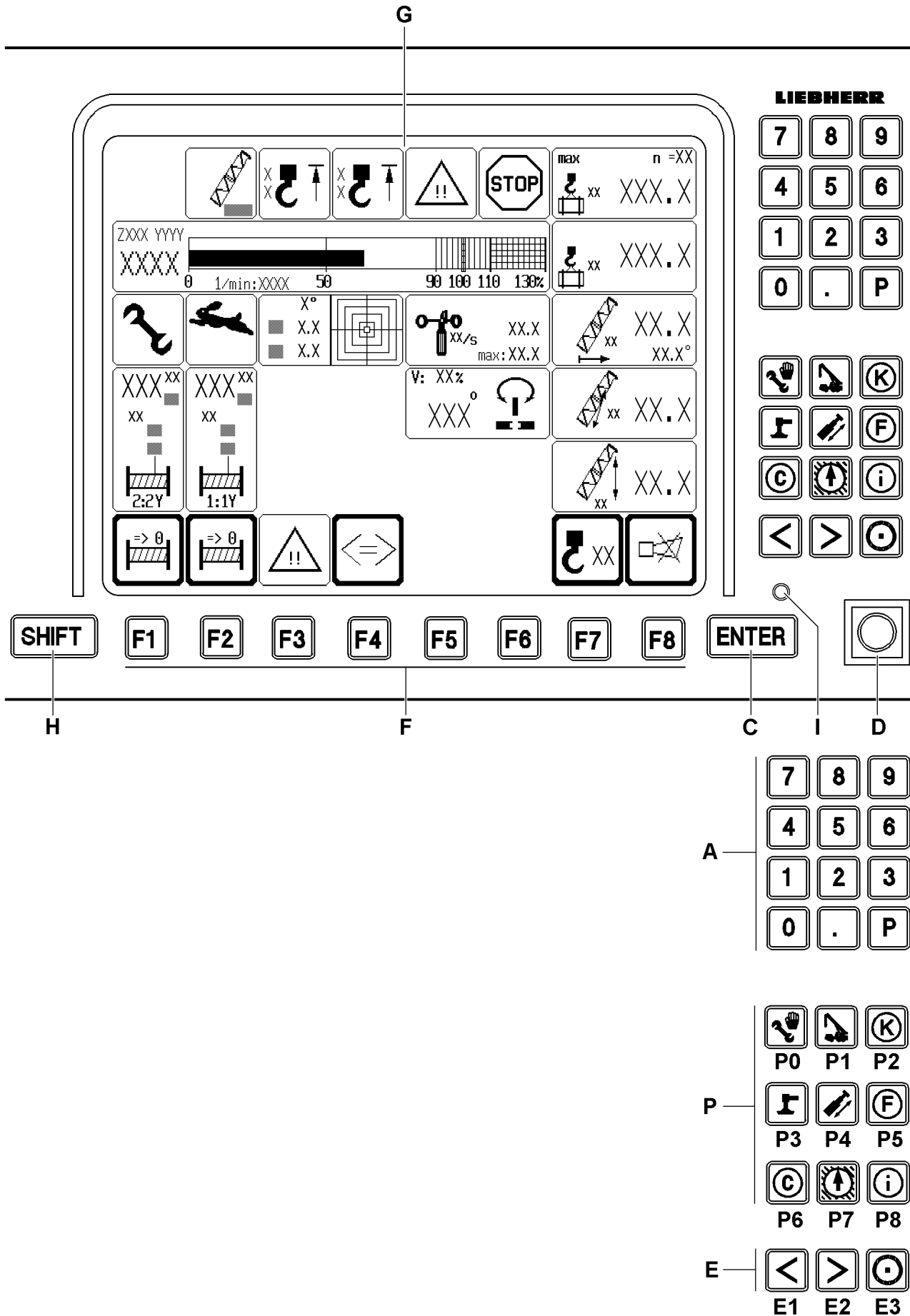


Fig.112357

LWE/LR 11350-005/19004-04-02/en

E Special function keys

- Monitor brightness adjustment
- Key combination **E3** and **E1**: Turn background illumination on / off
- Key combination **E3** and **E2**: Brightness adjustment in three stages

- **Note:**

Additional functions of the special function keys are program-dependent and are further explained in the description of the individual LICCON programs!

F Function keys

- The function keys should always be viewed in conjunction with the function key icon line displayed on the monitor

G Display

- Display of the individual programs (example: Crane operation program)

H SHIFT key

- Second-level key assignments, for example „Supervisory function“

I LED display

- Monitor supply voltage present

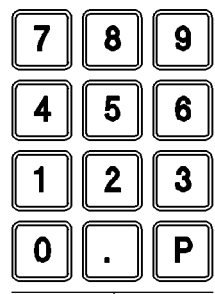
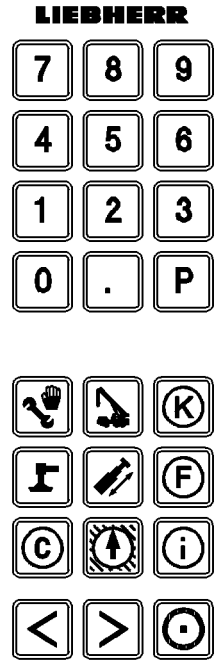
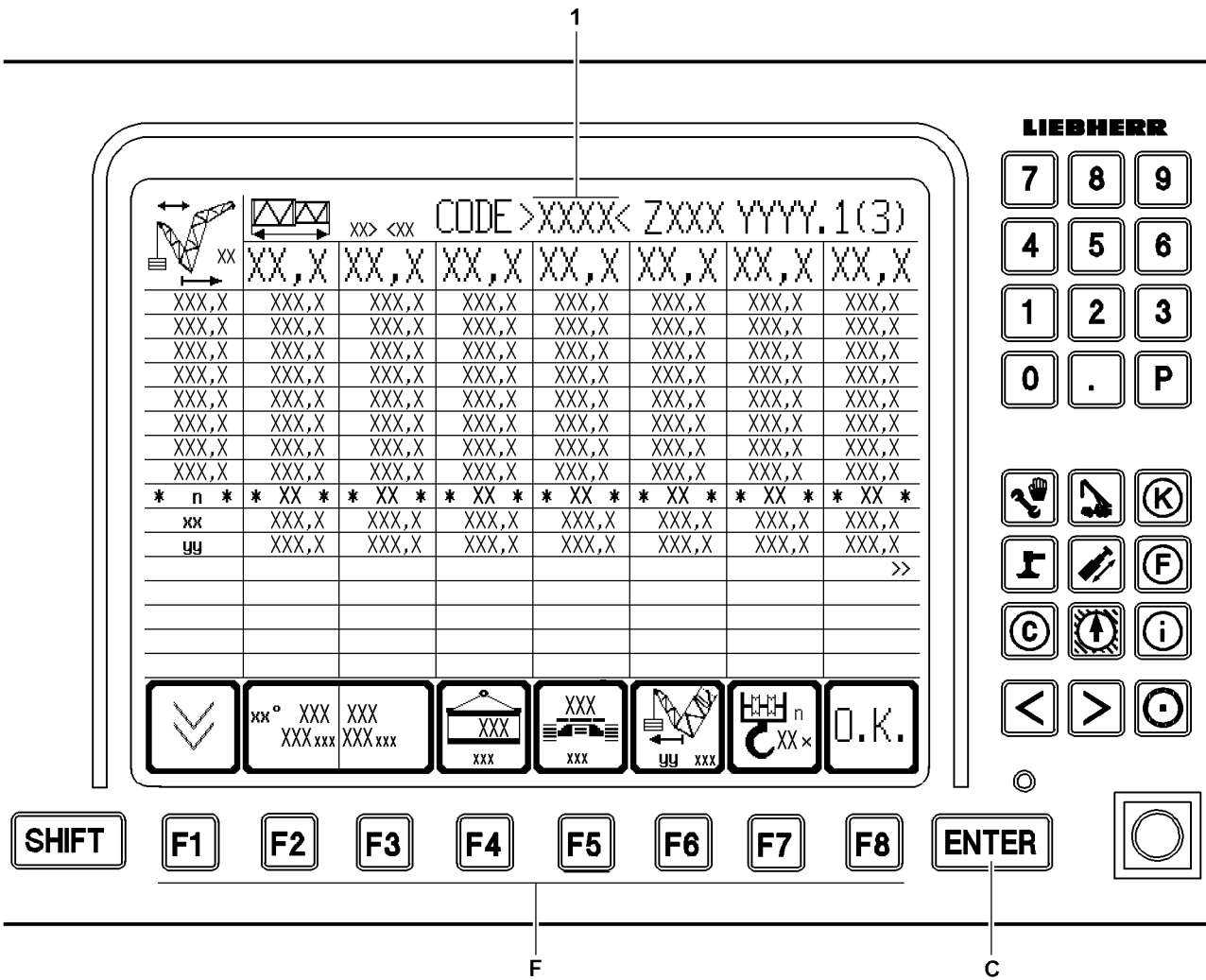


Fig.112305

5 The set up program

After the LICCON computer system boots up correctly, it changes automatically into the set up program.



Note

- ▶ All entries and settings, which are to be made by the crane operator in the set up program can only be carried out on **LICCON monitor 0!**



Note

Adjustment and display of set up configuration and reeving!

- ▶ Normally, the most recently run set up configuration and the reeving used at that time will be automatically set and displayed!
- ▶ If the computer system is started for the first time after set up of the crane, then the first valid set up configuration appears in the set up screen (first valid operating mode and reeving number „0“)!
- ▶ After a new start of the computer system, due to a „Cold start“ (for example: battery or CPU change), the first valid configuration appears in the set up screen (first valid operating mode and reeving number „0“)!

In the Set up program, the crane operator can set the current operating mode, the current set up configuration of the crane and the reeving number of the hoist rope.

In addition, in the set up program he can also see all the load charts programmed into the LICCON computer system.

5.1 Setting the operating mode and set up configuration

The crane operator can select the operating mode and the set up configuration with the function keys **F** or by entering a 4-digit short code **1**.

5.1.1 Setting the operating mode and set up configuration via the function keys

The function keys **F** are explained in the section „Function key line“ in this chapter.

- ▶ Select the respective function keys **F**.
- ▶ Press the ENTER key **C** to confirm and accept the settings.

Result:

- The data of the selected load chart can be viewed.

5.1.2 Setting the operating mode and set up configuration via the 4-digit short code

- ▶ Enter a 4-digit short code **1** with the keypad **A** on the **LICCON monitor 0**.
- ▶ Press the ENTER key **C** to confirm and accept the settings.

Result:

- The data of the selected load chart can be viewed.

5.2 Set up program areas



Note

- ▶ The monitor illustrations in this chapter are only examples!
- ▶ The numerical values in the individual icons and charts do not have to necessarily match the crane exactly!
- ▶ Numbers and letters can be replaced by place holders!
- ▶ The programmed load charts for the crane are binding!

The monitor is divided into three areas in the Set up program:

- 1 General information line
- 2 Display area of load chart values
- 3 Function key line with assigned icons

5.2.1 General information line

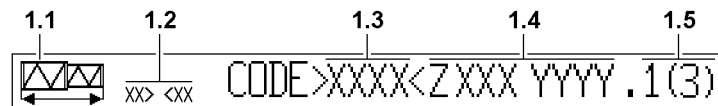


Fig.111920

- 1.1 Main boom length icon
 - The icon is identical for all operating modes
- 1.2 Measuring unit
 - For the programmed length units (LE) and weight units (GE)
- 1.3 4-digit short code
 - It is located next to the text „CODE“ inside angled brackets
 - Each short code uniquely identifies a crane configuration. The valid set up configuration and their associated short code numbers for the crane can be found in the load chart manual of the crane.
- 1.4 Organization number
 - For internal Liebherr load chart administration
- 1.5 Page number
 - Relates to the currently displayed part of the load chart
 - Separated from the organization number with „.“
 - The total number of pages in this load chart is in parentheses

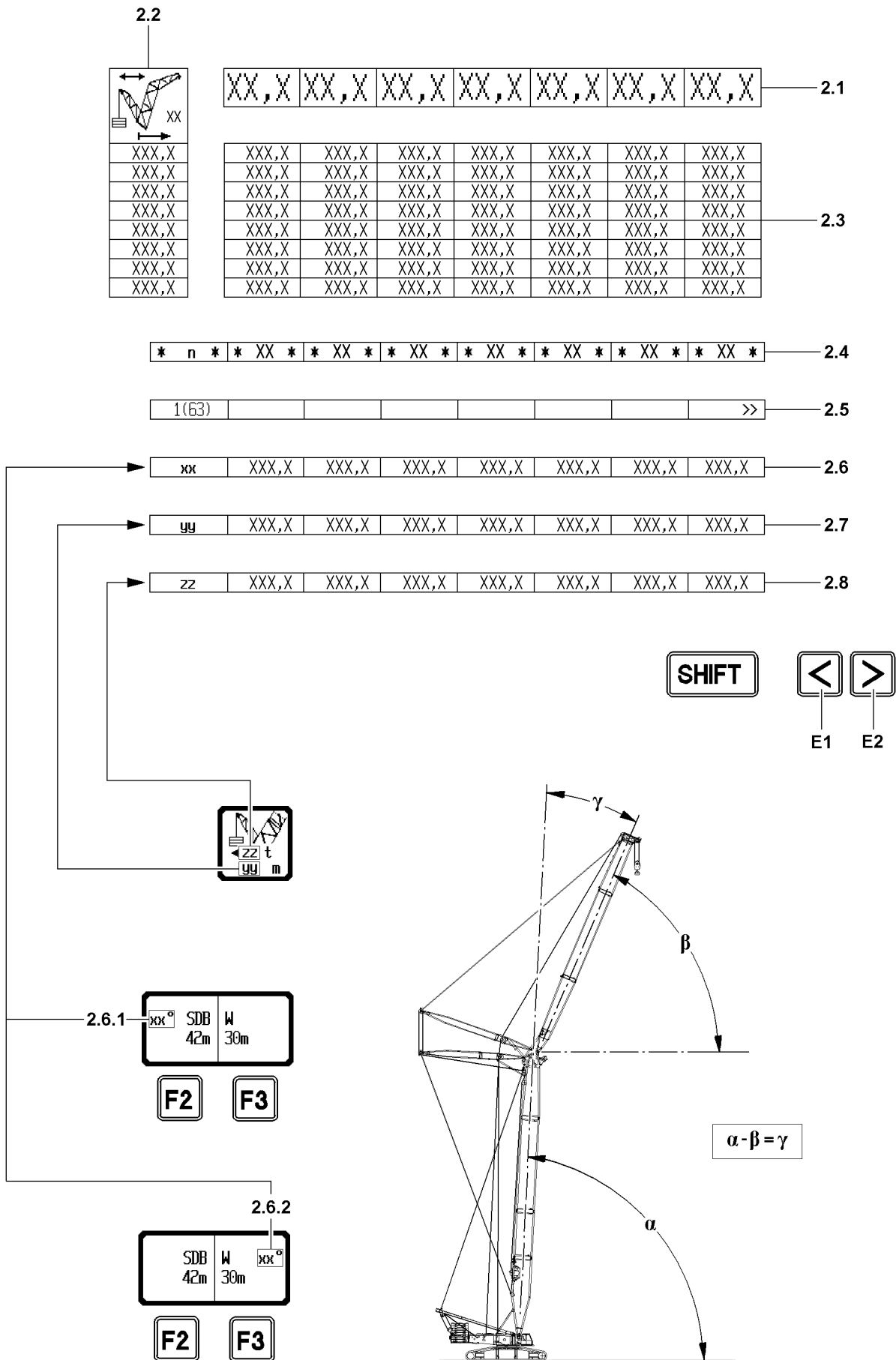


Fig.112631

LWE/LR 11350-005/19004-04-02/en

5.2.2 Display area of load chart values

2.1 Main boom lengths

- In [m] or [ft]
- Maximum of 7 columns per display page



Note

View „Boom radius“ icon **2.2!**

- ▶ Depending on the operating mode of the crane, the view changes from the „Boom radius“ icon **2.2!**
- ▶ In the illustration, the „Boom radius“ icon **2.2** shows an operating mode with (luffing) auxiliary boom / accessory, derrick boom and derrick ballast!

2.2 „Boom radius“ icon

- In [m] or [ft]
- Maximum 10 lines of radius values
- Vertical axis of load value field

2.3 Load value field

- Columns under the main boom lengths and in the lines to the right of radius values
- Load values depending on boom length and radius

2.4 Reeving number of hoist rope

- * n *

n = Reeving number of the hoist rope between the boom head and hook block, in order to be able to lift the maximum load in the corresponding load chart column in single winch operation

- Enter and confirm the reeving on the LICCON monitor 0, according to the reeving on the boom head

NOTICE

Special equipment necessary!

- ▶ If a load value in the column exceeds that of a load that can be lifted with the maximum possible reeving, then there is an exclamation mark beside the reeving number („!“). This exclamation mark indicates that special equipment is needed to lift this load!



Note

Parallel operation of hoist winches!

- ▶ For parallel operation of hoist winches (1||2), when reeving in the hoist rope, enter the total reeving of winch 1 and winch 2 on the LICCON computer system!
- ▶ **Example:** Winch 1 and winch 2 are each reeved 7ways, the total reeving is therefore n=14!
- ▶ The total reeving **must** always show an even number value in parallel operation!

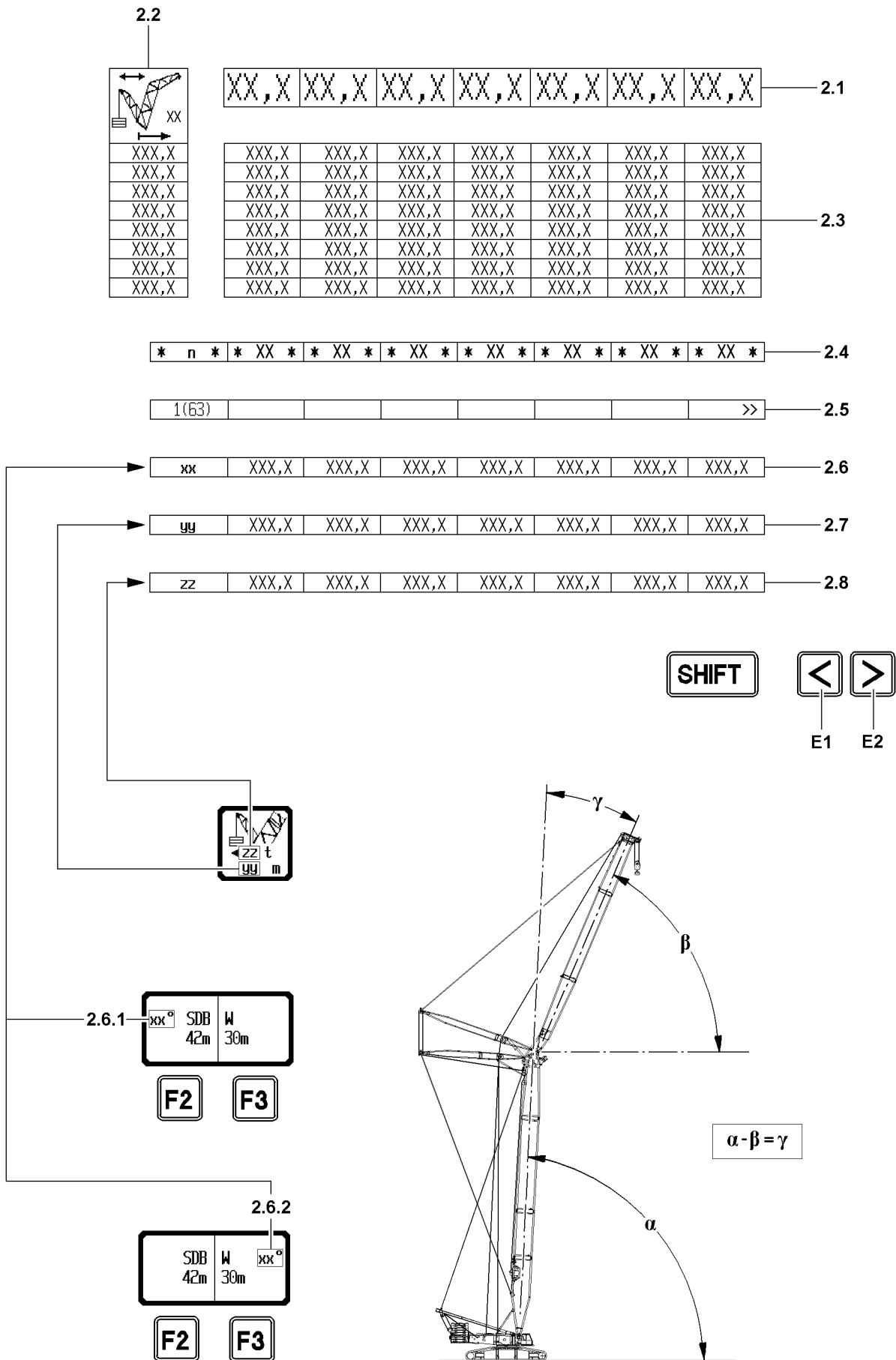


Fig.112631

LWE/LR 11350-005/19004-04-02/en

2.5 Line for special displays

- If a load chart consists of more than seven columns, it cannot be fully displayed because of the size of the monitor. In that case, marking arrows in the first or the seventh field in this line indicate that there are additional chart columns to the left or right of the displayed chart. They can be shown by pressing the key **E1** or the key **E2**.

- **Note:**

Using the key combination **SHIFT** and **E1** or **SHIFT** and **E2**, you can, where possible, scroll left or right by 7 load chart columns (corresponds to 1 page)!

2.6 Boom angle

- Line **xx**
- In [°]
- **Note:**

Appears **only** in operating modes with luffing auxiliary boom / accessory!

2.6.1 Main geometry

- Appears „**xx**“ in main geometry status icon (for example: „**xx**° SDB“) means „**xx**“ = main boom angle α in [°].
- In the line **xx** the main boom angles are listed, which must be set in order to be able to lift the load values in the corresponding load chart column.

2.6.2 Auxiliary geometry

- Appears „**xx**“ in auxiliary geometry icon (for example: „**W**“, „**xx**“) then means „**xx**“ = relative angle auxiliary boom / accessory γ in [°].
- In the load chart columns, the relative angles auxiliary boom / accessory, which must be set to be able to lift the load values in the corresponding load chart column are listed next to each other.

**Note**

- ▶ Main boom angle α : The angle of the main boom to the placement surface of the crane!
- ▶ Angle auxiliary boom / accessory β : The angle of the auxiliary boom / accessory to the placement surface of the crane!
- ▶ Relative angle auxiliary boom / accessory γ : The angle of the auxiliary boom / accessory is determined relative to the main boom!

2.7 Derrick ballast radius

- Line **yy**
- In [m] or [ft]
- **Note:**

Appears **only** in operating modes with derrick ballast!

- In the line **yy** the derrick ballast radii are listed, which must be set in order to be able to lift the load values in the corresponding load chart column.

2.8 Derrick ballast weight

- Line **zz**
- In [m] or [ft]
- **Note:**

Appears **only** in operating modes with derrick ballast!

- In the line **zz** the derrick ballast weights are listed, which must be attached in order to be able to lift the load values in the corresponding load chart column.

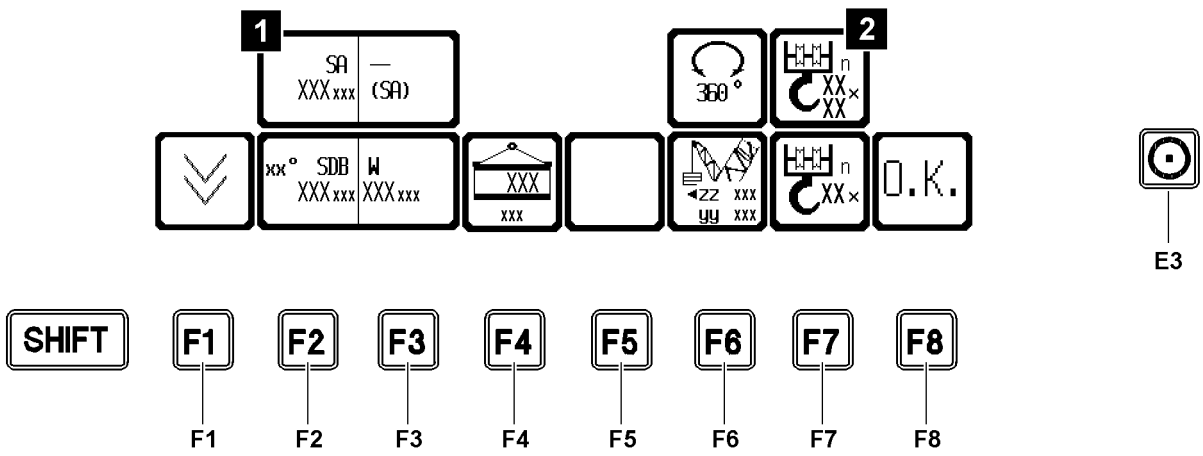


Fig.112632

5.2.3 Function key line in the set up program

The function key line consists of function keys **F1** to **F8** and the function key icon bar above it. The function keys correspond to the various function key icons above them.

Various functions are indicated by the function key icons, or they may refer to changes of:

- Operating mode and
- set up configuration.

Not all function keys have to be assigned icons on the LICCON monitor. This depends on the program selection.

Pressing a function key changes the appearance of the icon above, its meaning, or its textual content.

F1 Vertical paging

- Depending on the size of the monitor, up to 10 load chart lines can be displayed at once. If a chart consists of more than 10 lines, then the display is spread over several pages. When pressing a key, the next page of the load chart will be displayed, and the number of the current page in the „general information line“ will be counted up by 1. When the last page is reached, page 1 will appear again after pressing the function key **F1**.

F2 Main boom geometry

- Adjustment possibility of different main boom operating modes and main boom lengths of the crane (if available). The types are described by abbreviations (for example: **SDB** = heavy main boom, derrick boom and suspended ballast) and length data in the icon.
- **Note:**
In addition to the main boom operating modes, the assembly operating mode SA can be set via the function key **F2**, see illustration 1.

SHIFT and **F2**

- Previous main boom geometry (if available)

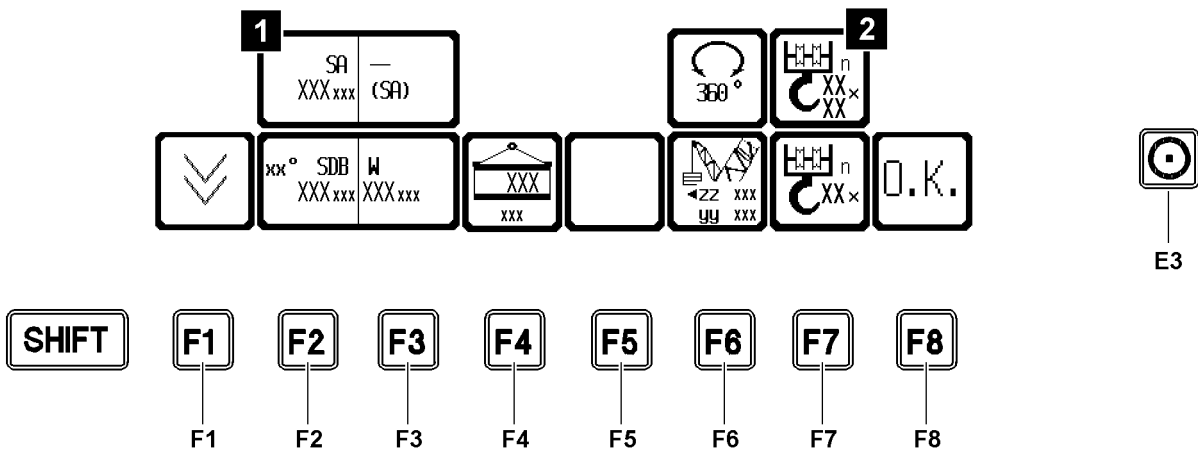


Fig.112632

F3 Boom geometry auxiliary boom / accessory

- Adjustment possibility of different auxiliary boom operating modes and auxiliary boom lengths of the crane (if available). The types are described by abbreviations (for example: **W** = luffing lattice jib) and length data in the icon. Possibly additional angle data is noted in the icon.

- **Note:**

Pressing the function key **F2** and / or the function key **F3** removes all data (operating mode, set up configuration) from the monitor and sets the short code in the general information line to „CODE >????<“!

- **Operating mode data:**

- Boom length icon in the general information line
- Length units and weight units
- Load chart organization number
- Boom radius icon
- Boom length data

- **Set up dependent data:**

- Numbering of current page number and total number of pages in load chart
- Radius values in length units
- Load values in weight units

SHIFT and **F3**

- Previous auxiliary boom geometry (if available)

F4 Counterweight

- Adjustment possibility for current counterweight, which must be on the turntable in order to obtain the values in the current chart. When pressing a key, the following icon appears with additional text in the counterweight icon.
- Example:
„ 110 t “ = total counterweight of 110 t

F5 Crane chassis

- In operating modes, where there are various crane chassis versions (for example: Ballast on crawler travel gear), this can be set with the function key **F5**.
- If there is no setting possibility, then the key has no function.

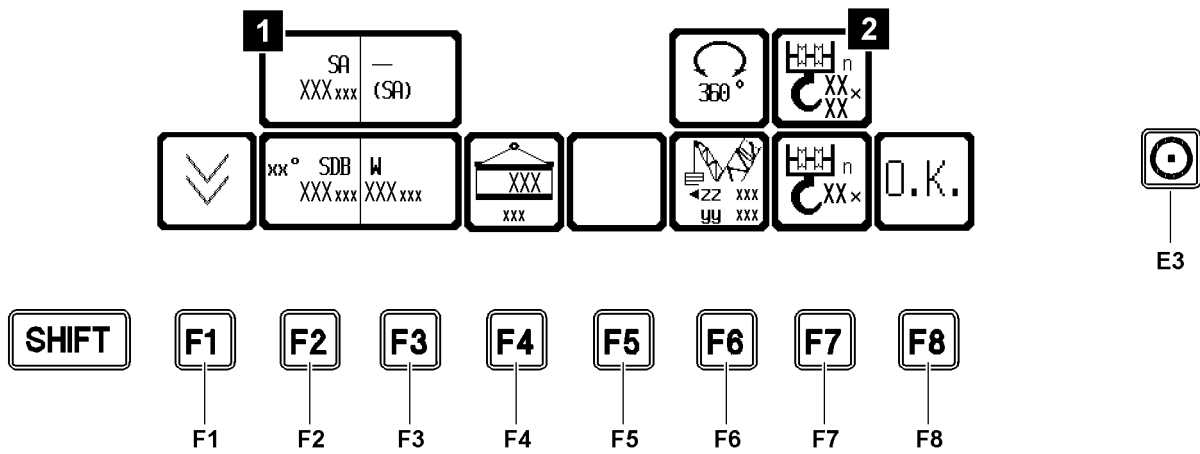


Fig.112632

**Note**

- ▶ For crane operating modes without derrick ballast, the slewing range icon crane superstructure appears at **F6!**
- ▶ For crane operating modes with derrick ballast, the derrick ballast radius icon appears at **F6!**

F6 Slewing range crane superstructure

- „Slewing range icon 360°“

or

F6 Derrick ballast radius

- Set the set up configuration derrick ballast radius **yy** in [m] or [ft]
- Set the set up status derrick ballast weight **zz** in [t] or [lbs]

F7 Hoist rope reeving

- Adjustment possibility for the **number of hoist rope strands on the boom** to obtain a certain load carrying capacity
- Press the key: Reeving number on boom is increased by 1.

SHIFT and **F7**

- Press the key: Reeving number on boom is reduced by 1.

**Note**

- ▶ The displayed number of hoist rope strands (reeving) in the icon will be increased with every keystroke by one counter, up to a fixed maximum value (depending on operating mode)! If the maximum value is exceeded, the counter starts again at the minimum value!
- ▶ If the set value is still within the minimum and maximum values when switching to another operating mode, it remains valid! Otherwise it will be set to the minimum value for the new operating mode!
- ▶ After a „cold start“ (for example loss of data in the memory), the display of the hoist rope reeving is at „0“!

**Note**

Parallel operation of hoist winches!

- ▶ For parallel operation of hoist winches (1|1|2), when reeving in the hoist rope, enter the total reeving of winch 1 and winch 2 on the LICCON computer system!
- ▶ **Example:** Winch 1 and winch 2 are each reeved 7ways, the total reeving is therefore n=14!
- ▶ The total reeving **must** always show an even number value in parallel operation!

E3 and **F7**

- Adjustment possibility for the **number of hoist rope strands on the boom nose** to obtain a certain load carrying capacity.
- Press the key: Reeving number on boom nose* (upper number in „Hoist rope reeving“ icon) is increased by 1.

SHIFT and **E3** and **F7**

- Press the key: Reeving number on boom nose* (upper number in „Reeving“ icon) is reduced by 1.

**Note**

Display reeving boom nose!

- ▶ The reeving for the boom nose is only shown (illustration 2) if the boom nose is assembled!
- ▶ If the boom nose is installed during operation, then the reeving of the boom nose must be correctly entered in the set up program!

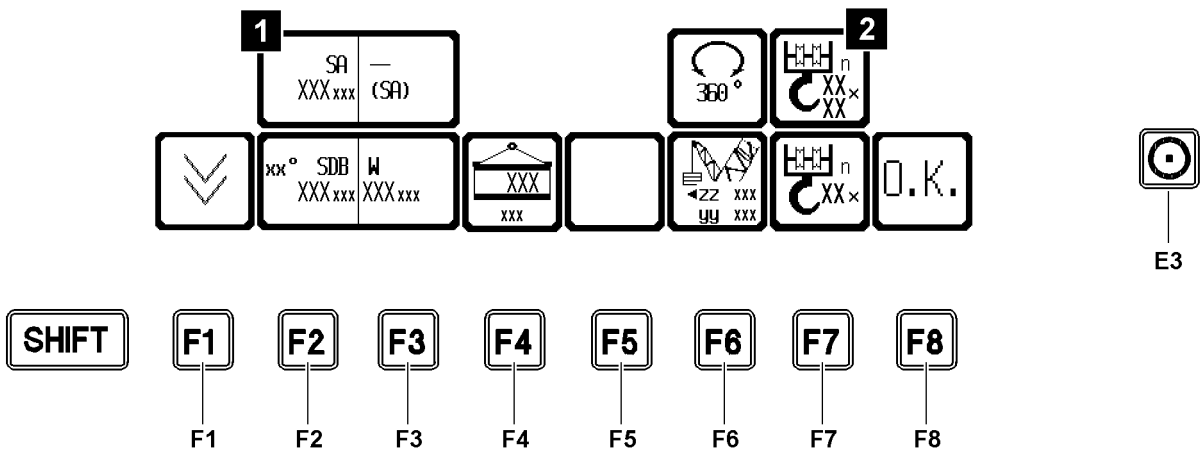


Fig.112632

F8 Confirmation key

- For confirmation of selected set up configuration
- **Prerequisites:**
 - The entry of the set up configuration must be completed all the way. A valid short code is shown and in the chart field are load values.
 - The external conditions for this set up configuration, if stipulated, must be met.
 - The crane may not be utilized by more than 20 % in the previous set up configuration (applies only if the load suspended on the hook is heavier than 0.5 t). Switching to the crane operation program can otherwise only be done with the program key **P1**. In that case, the newly entered set up configuration is not accepted.

**Note**

- ▶ Make sure that the selected set up configuration (short code) and the hoist rope reevings are taken over after switching into the operating screen!
-

**Note**

Display of operating errors from the set up program!

- ▶ Operating errors created in the set up program are displayed in the icon above the function key **F8** and are saved in the error stack for about 5 seconds!
 - ▶ If the function key **F8** is pressed within 5 seconds, the program will switch automatically to the error determination screen in the test system and the error will be displayed documentarily!
 - ▶ The operating error will not be saved!
 - ▶ Operating errors are always placed on top in the error stack, see Diagnostics manual!
-

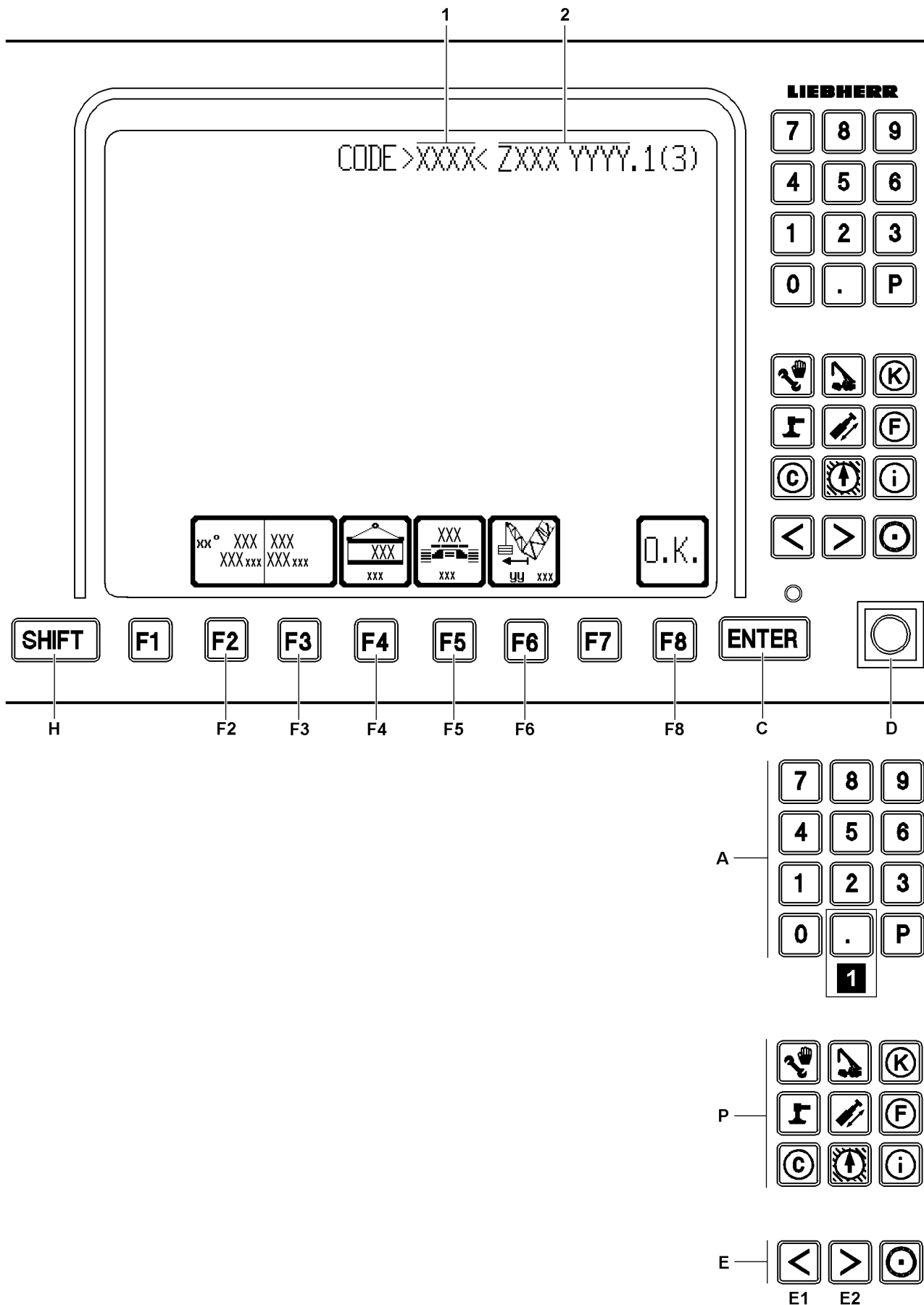


Fig.112308

LWE/LR 11350-005/19004-04-02/en

5.2.4 Operating errors in the set up program

A Keypad

- Pressing the keypad deletes all operating mode and set up configuration dependent data from the monitor
- The keys **0** to **9** on the keypad can be used to enter the short code directly into the LICCON monitor
- The key **P** and the key „**“** (illustration 1) have no function in the set up program

P Program keys

- Selection of individual programs. The settings in the set up program are discarded and the set up configuration and reeving, which were last confirmed with the function key **F8** (OK) are continued to be used.
A program currently running **cannot** be called again using its program key.

C Input key ENTER

- Confirmation of input both for short codes **1** as well as for any change in the set up configuration via the function keys
- **ENTER** after entering the short code, the short code **1** is searched for in all stored load charts. If the matching load chart has been programmed, it will be displayed in full. Otherwise there is an error message in the form of „????“ in the second part of the organization number **2** and the acoustic signal „Horn“ sounds.
- **ENTER** after a changing the operating mode using the function key **F2** and the function key **F3** searches for this operating mode. If successful, sets its first set up configuration and displays the load chart and its short code **1**. In the event of an error, the short code **1** remains on „CODE ?????“, the organization number **2** is displayed as „ZXXX????“ and the acoustic signal „Horn“ sounds.
- **ENTER** after a change in the set up configuration with the function keys **F4** and **F5** as well as the function key **F6** this load chart (if the chart exists) displays with short code **1** on the monitor. In the event of error, the short code **1** remains on „CODE ?????“ and the acoustic signal „Horn“ sounds.



Note

Use of place holders

- ▶ The Short code **1** and the Organization number **2** are shown in this chapter with place holders (for example XXXX or ZXXX) instead of real numbers and letters!

D Set up key

- Has no function in the Set up program

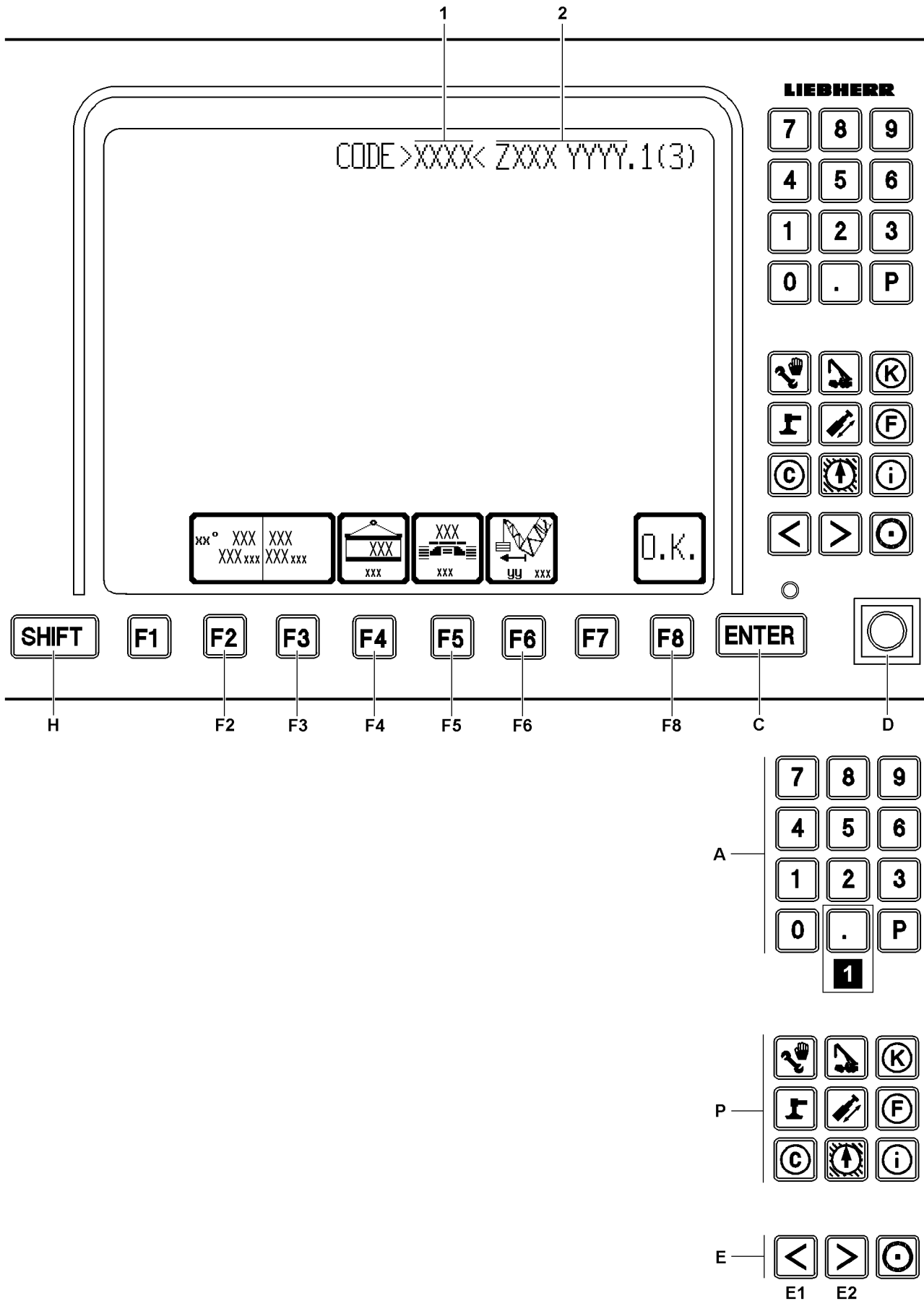


Fig.112308

LWE/LR 11350-005/19004-04-02/en

E Horizontal paging• **Note:**

The key **E1** and key **E2** only have a function if this is indicated in the „Line for special displays“!

- If a load chart consists of more than 7 columns, the first display of the set up configuration only shows columns 1 to 7
- Pay attention to the double arrow on the right (>>) and / or on the left (<<) edge of the line of the load chart! It points to additional columns in the respective direction!
- Press the key **E1** to display the next left chart column
- Press the key **E2** to display the next right chart column

• **Note:**

Using the key combination **SHIFT** and **E1** or **SHIFT** and **E2**, you can, where possible, scroll left or right by 7 load chart columns (corresponds to 1 page)!

H SHIFT key

- For example Supervisory function
- By pressing and holding down the **SHIFT** key and then pressing one of the function keys, which must correspond to the corresponding function, the previous main boom geometry, the auxiliary boom geometry and the previous reeving are reset
- **Note:**
See section „The function key line“ in the set up program!

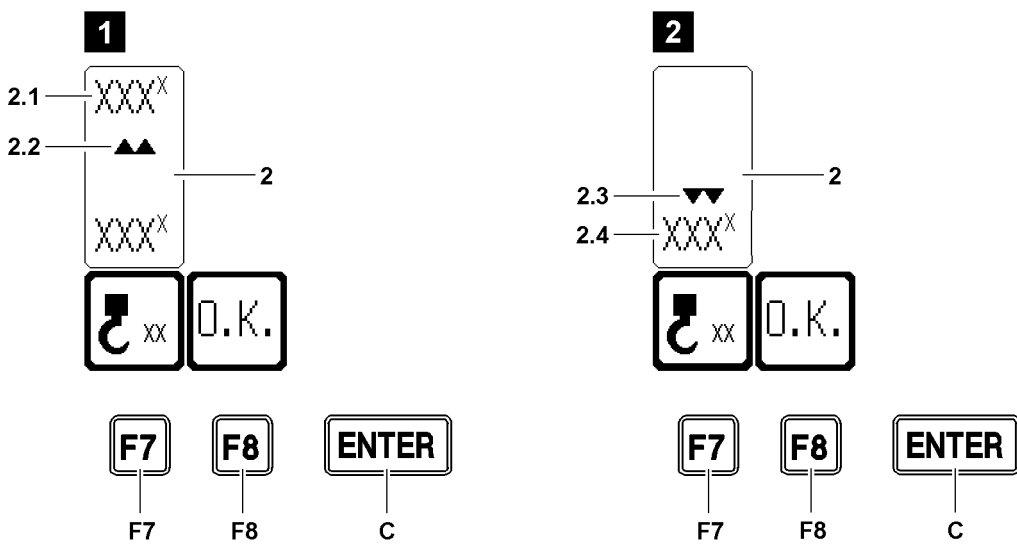
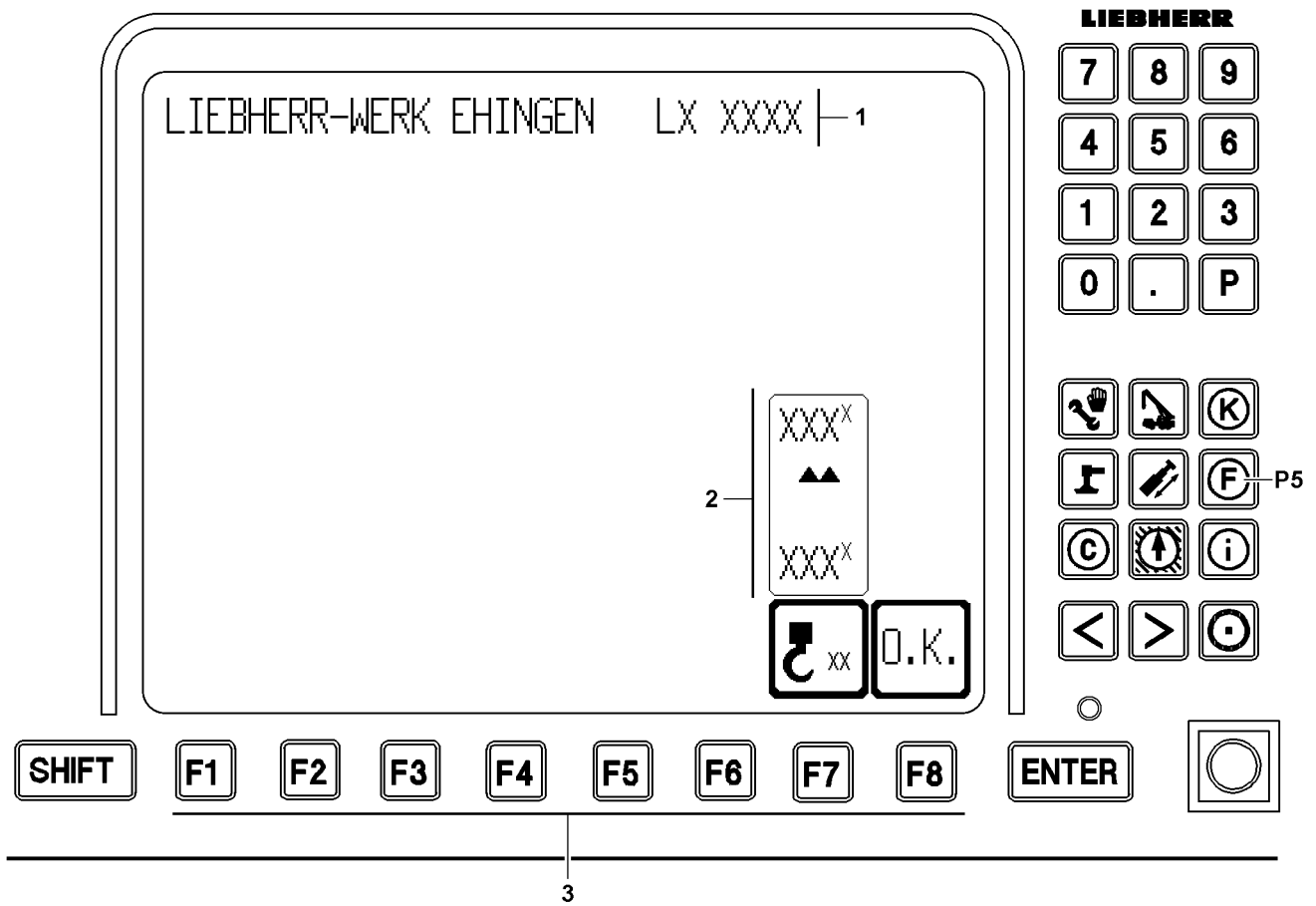


Fig.112339

5.3 Input window hook block weight

After the selected set up configuration was confirmed in the set up program with the function key **F8**, the set up parameters are taken over by the LICCON computer system. Then the input window hook block weight appears automatically.



WARNING

Deviation from specifications of erection and take down charts!

In case of a deviation from the specifications of the erection and take down charts, the crane can be overloaded and topple over!

Personnel can be severely injured or killed!

- ▶ The entered value must be taken from the erection and take down charts, depending on the selected set up configuration!
- ▶ If the actual weight of the hook block exceeds the permissible hook block weight, then the hook block must be carried along for erection / take down of the boom!
- ▶ The entered hook block weight is recorded with the data logger!

5.3.1 Starting the input window hook block weight

In the input window hook block weight, the crane operator must determine a hook block weight corresponding on the operating mode for erection / take down of the boom systems according to the erection / take down charts.

- ▶ Press the function key **F8** in the set up configuration screen.
or
Press the program key **P5**.

Result:

- The input window hook block weight appears.

5.4 User interface

- 1 Crane type identification
- 2 Hook block weight icon
 - 2.1 Input field for the hook block weight
 - 2.2 Double arrow pointing up
 - Input field is active, illustration 1
 - 2.3 Double arrow pointing down
 - Current input value is active, illustration 2
 - 2.4 Current input value of hook block weight
- 3 Function key line

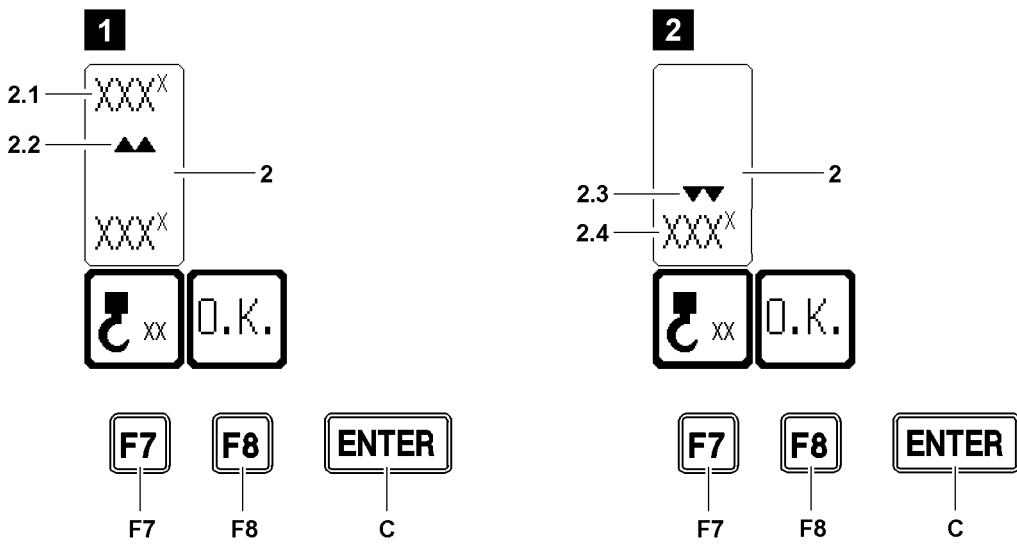
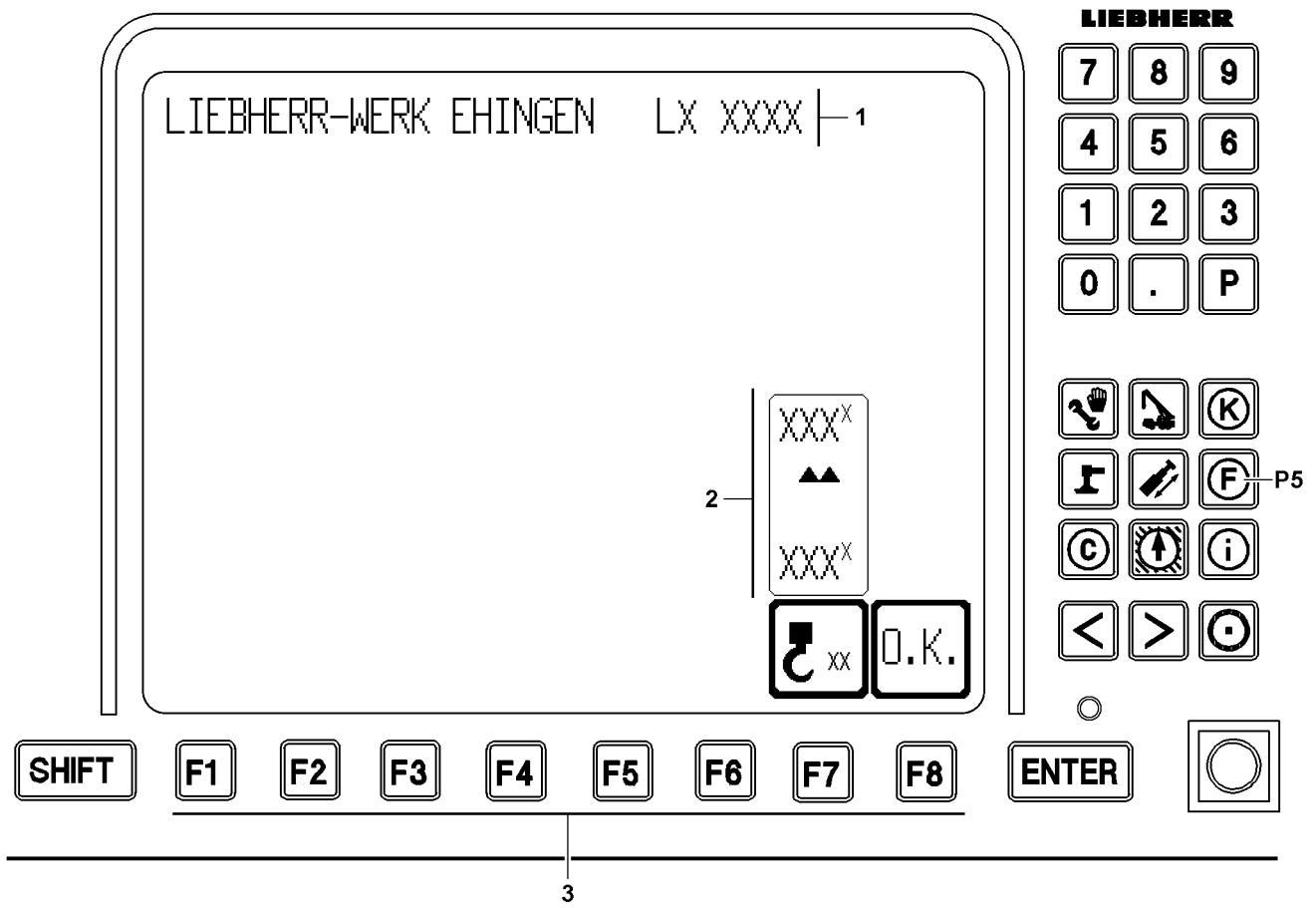


Fig.112339

5.5 Enter the hook block weight

To be able to erect / take down a boom system, a valid hook block weight must first be entered in the input window hook block weight on the LICCON computer system and confirmed.

Take permissible weight of the hook block must be taken according to the selected set up configuration from the erection and take down charts.

Make sure that the following prerequisite is met:

- A valid set up configuration is entered and confirmed.

▶ Press the function key **F7**.

Double arrow up **2.2** is shown, input field hook block weight **2.1** is active.

▶ Enter the hook block weight via the keypad.

When the entered hook block weight is shown in the input field hook block weight **2.1**:

▶ Press the ENTER **C** key.

Result:

- The hook block weight is taken over as current input value hook block weight **2.4**, illustration 2.
- The input field hook block weight **2.1** is faded out.
- Double arrow down **2.3** is shown.



Note

▶ By pressing the function key **F7** again, the entered hook block weight can be changed!

When the entered hook block weight has been accepted:

▶ Press the function key **F8(OK)**.

Result:

- The entered hook block weight is accepted into the LICCON computer system.
- The crane operating screen appears.

Problem remedy

When luffing the boom up / down **with the hook block**, the maximum load according to the load chart and reeving is exceeded and a LMB stop is triggered?

▶ Place the hook block down and carry it along.

Problem remedy

When erecting / taking down the boom **with the hook block**, a higher value than the actual weight on the hook block is shown in the „Current load“ icon (crane operating screen)?

▶ For further procedure, see section „Adapt the input value hook block weight“.

Problem remedy

When erecting / taking down the boom **without the hook block** (load weighting), a value of more than 0 t is shown in the „Current load“ icon (crane operating screen)?

▶ For further procedure, see section „Adapt the input value hook block weight“.

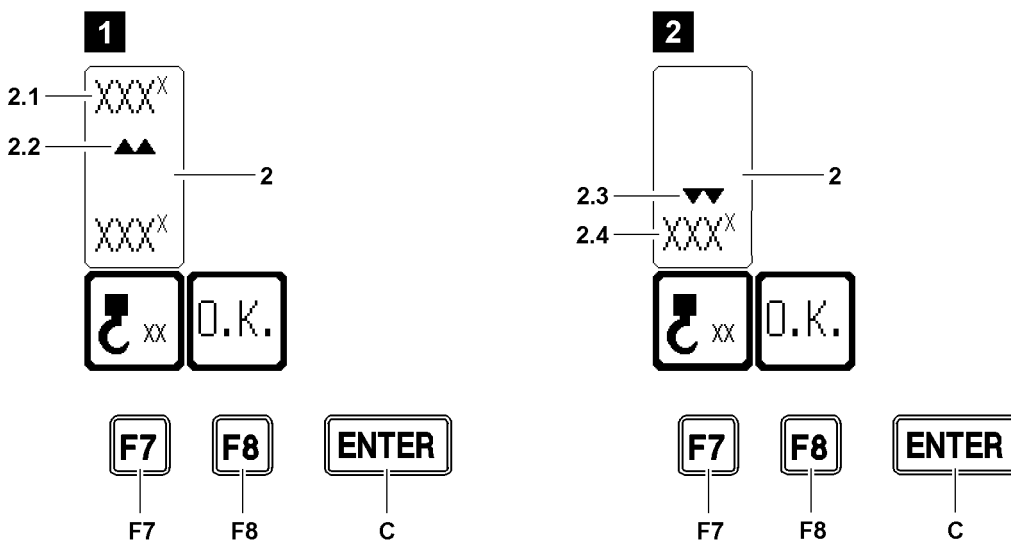
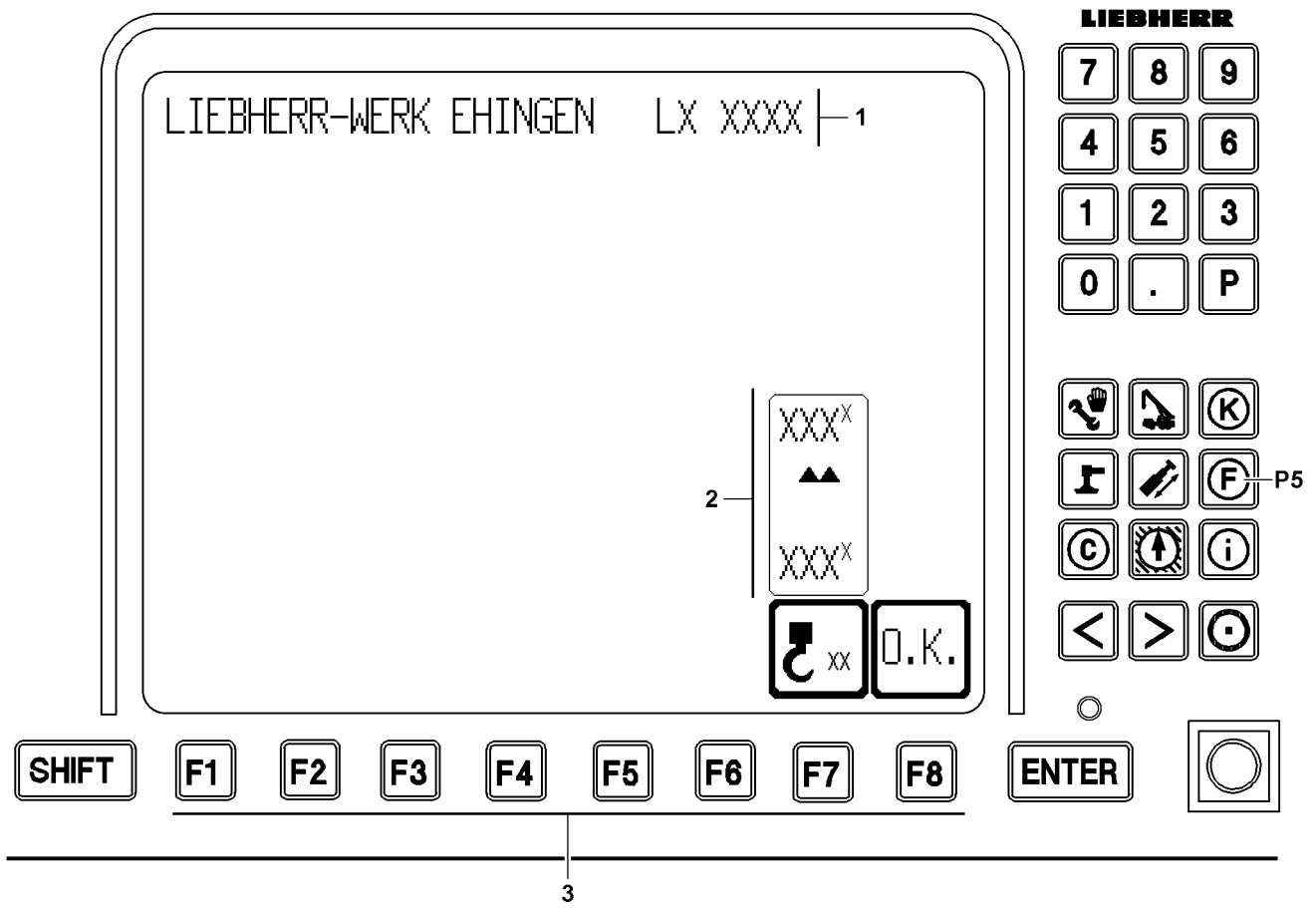


Fig.112339

5.6 Adapting the input value hook block weight

It may be possible that the crane movement is shut off due to overload when trying to erect / take down the boom.

The reason for the shut off may be a weighing error.



Note

Weighing error!

- ▶ A weighing error is a combination of environmental influences, manufacturing and sensor tolerances!
- ▶ This combination can cause an increased display value in the „Current load“ icon (crane operating screen)!

A weighing error can be compensated for by adapting the input value hook block weight.



WARNING

All-inclusive adaptation of the hook block weight!

If the input value hook block weight is adapted and no weighing error was determined, then the crane can be overloaded and topple over!

Personnel can be severely injured or killed!

- ▶ Before adapting the input value hook block weight, an existing weighing error must have been found!
- ▶ Only the determined weighing error may be added to the permissible hook block weight!

If a weighing error is suspected, then the crane operator must ensure, before carrying out additional steps, that:

- A valid set up configuration has been entered on the LICCON computer system!
- The assembled boom system matches the entered set up configuration of the crane!
- The boom system is assembled according to the rod plans!
- All attachment parts on the boom have been removed!
- No guy rods are on the boom!
- The boom is free of snow and ice!
- The wind influence onto the boom is not too great!
- The weighing error is plausible and comprehensible!

If it is ensured that the above listed prerequisites are adhered to, then the determined weighing error may be added to the permissible hook block weight and entered in the hook block weight icon.

- ▶ Enter the adapted hook block weight, see section „Entering the hook block weight“.

Problem remedy

The adapted value of the hook block weight is **not** taken over into the LICCON computer system, even though the weighing error is plausible and comprehensible?

- ▶ For erection of the boom system, carry the hook block along.

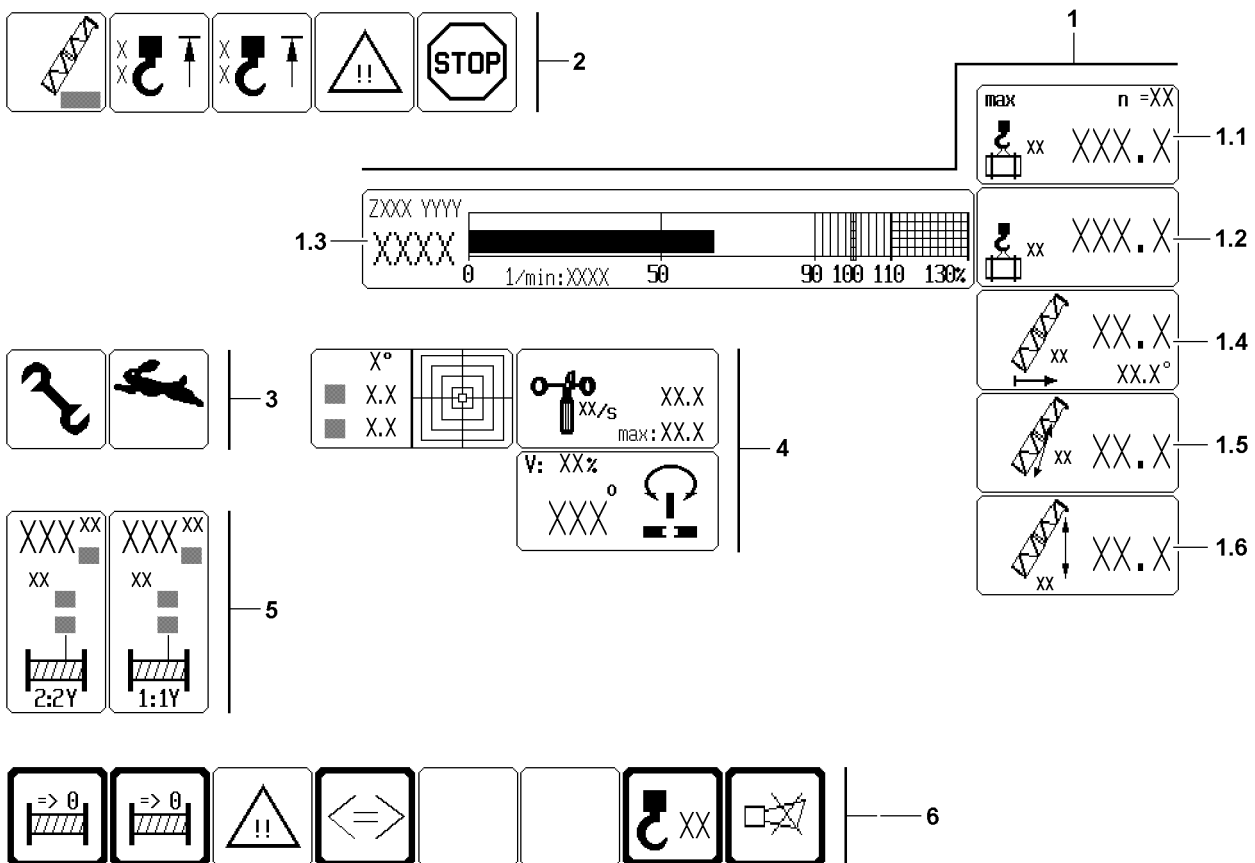
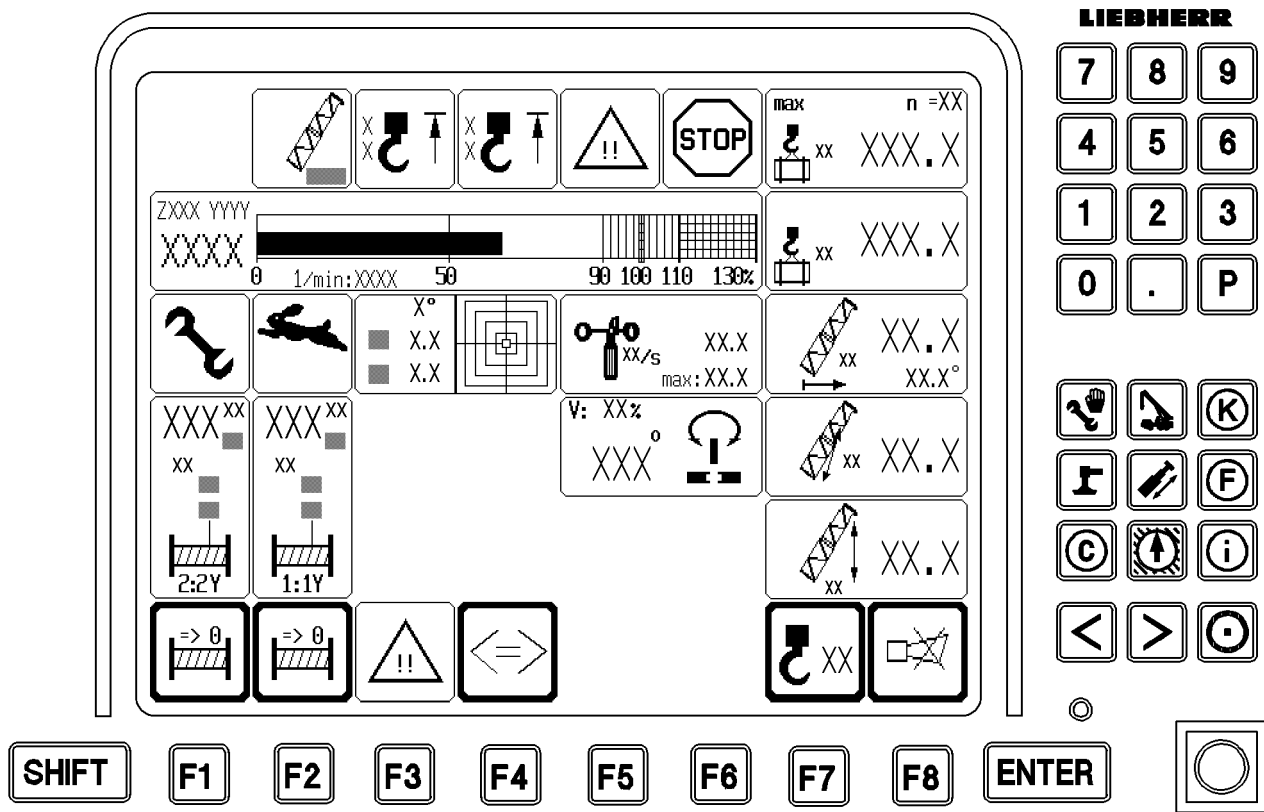


Fig.113450

LWE/LR 11350-005/19004-04-02/en

6 The crane operation program on monitor 0

The LICCON program Crane operation assists the crane operator by displaying the data needed for operating the crane clearly on **monitor 0**. An acoustic signal accompanies all critical displays. Depending on the equipment, a range of other icons may also be turned on as additional displays, either as required by the crane operator, or automatically in the event of a problem.

It also alerts the crane operator to imminent overload conditions. In the event of overload and many error conditions, which could be hazardous during crane operation, the system shuts off.

The LICCON monitor is divided into six areas in the Crane operation program:

- 1 Crane geometry and load information
- 2 Alarm functions
- 3 Special functions
- 4 Monitored auxiliary functions
- 5 Winch display
 - Winch 1 and winch 2
- 6 Function key line



Note

- ▶ The monitor illustrations in this chapter are only examples!
- ▶ The numerical values in the individual icons and charts do not have to necessarily match the crane exactly!
- ▶ The configuration of the LICCON monitor with icons is only descriptive!
- ▶ An identical icon display will **not** appear during crane operation!

6.1 Crane geometry and load information



Note

- ▶ The crane illustrations in this section are only examples and are generalized!
- ▶ They may differ from the crane type and equipment!

The information regarding crane geometry and load is shown in six icons:

- 1.1 „Maximum load“ icon
- 1.2 „Current load“ icon
- 1.3 „Dynamic utilization bar“ icon
- 1.4 „Boom radius“ icon
- 1.5 „Boom length“ icon
- 1.6 „Pulley head height“ icon

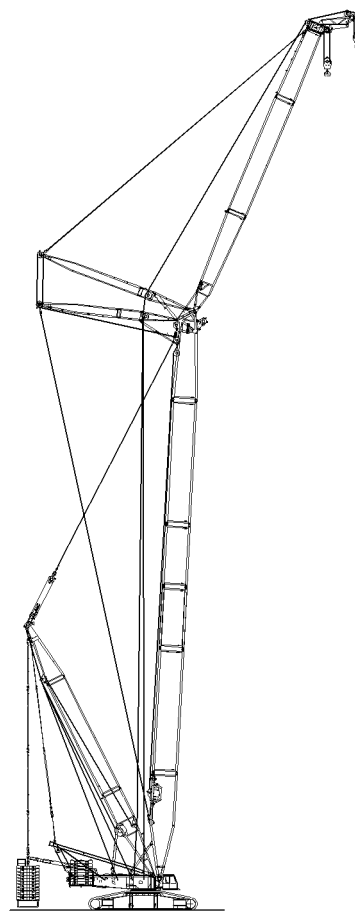
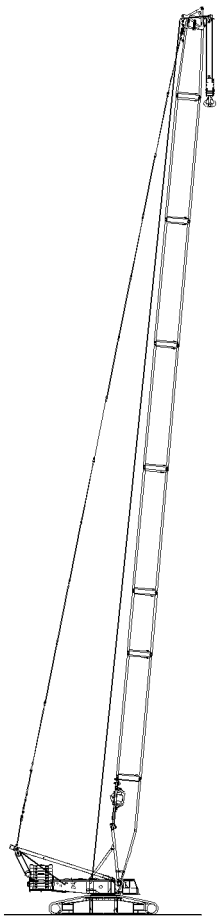
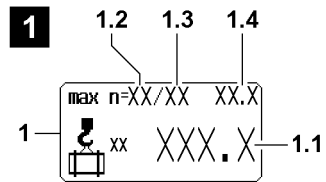
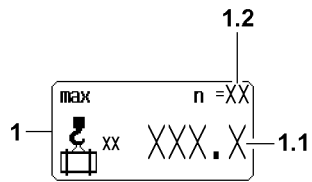


Fig.111931

LWE/LR 11350-005/19004-04-02/en

6.1.1 Maximum load

According to the set up configuration, the following changes:

- The illustration of the icon.
- The position of values in the icon, see sample illustration 1!

1 „Maximum load“ icon

- In [t] or [lbs]

• Note:

„? ? ? . ?“ is shown when no load chart value can be accessed!

An error message is issued, see Diagnostics manual!

1.1 Maximum load on the boom

- In [t] or [lbs]
- The load capacity depends on:
 - The selected operating mode
 - The selected set up configuration (load chart)
 - The boom radius
 - The various boom angles
 - The derrick ballast radius*
 - The currently pulled derrick ballast*
 - The reeving of the hoist rope on the boom



Note

- ▶ The maximum load on the boom (also: Maximum load according to the load chart and the reeving on the boom) is the load, which the crane can lift in its current operating condition with the maximum utilized ballast / counterweight!
- ▶ In assembly operating mode SA, the maximum load capacity is shown in [t] or [lbs], according to the corresponding load chart.

1.2 Reeving number hoist rope on boom

- n = reeving number of hoist rope on the pulley head selected via the load chart. The reeving number has been set first in the set up program.



Note

- ▶ In the assembly operating mode SA, the reeving number is always 0.

1.3 Reeving number of hoist rope on the boom nose*

- n = reeving number of hoist rope on the installed boom nose*. The reeving number has been set first in the set up program.

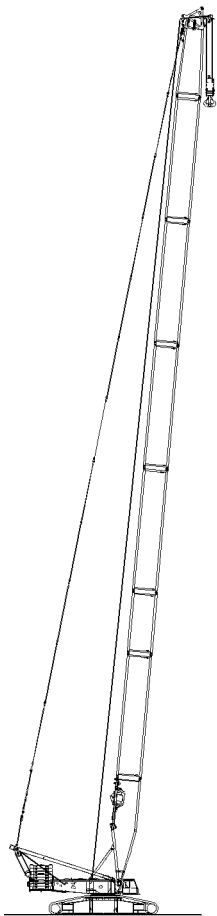
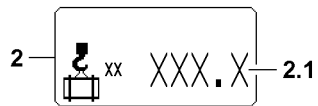
1.4 Maximum load carrying capacity of the installed boom nose*

- In [t] or [lbs]



Note

- ▶ The „Maximum load carrying capacity“ of the boom nose* depends on the set reeving of the boom nose*.
- ▶ The maximum load carrying capacities on the boom (1.1) and on the boom nose* (1.4) are monitored simultaneously. If the load on one position is exceeded, then an LMB stop is issued.



1

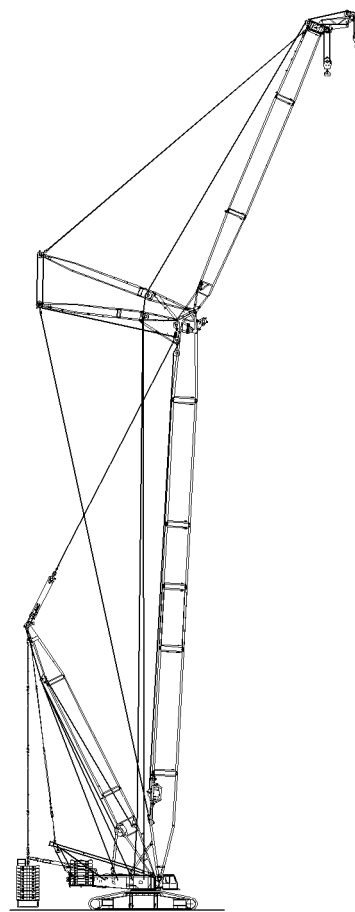
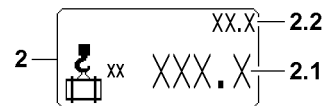


Fig.111932

LWE/LR 11350-005/19004-04-02/en

6.1.2 Current load

According to the set up configuration, the following changes:

- The illustration of the icon.
- The position of values in the icon, see sample illustration 1!

2 „Current load“ icon

- In [t] or [lbs]
- **Note:**
„? ? ? . ?“ is shown when no load chart value can be accessed!
An error message is issued, see Diagnostics manual!

2.1 Current load on the boom

- Actual load display = current load (in [t] or [lbs]) on the selected boom
- Display of the calculated total load including the weights of the carrying equipment, the lifting equipment (hook block) and / or the fastening equipment, but **without** the nominal weight of the hoist rope.



Note

Assembly operating mode SA

- ▶ In assembly operating mode SA, the SA-frame is treated as the boom!
- ▶ The current load on the SA-frame is determined via pressure sensors on the assembly cylinder and shown in the „Current load“ icon 2.

2.2 Current load on the boom nose*

- Actual load display = current load in [t] or [lbs] on the boom nose*.
- Display of the calculated total load on the boom nose*, including the weights of the carrying equipment, the lifting equipment (hook block) and / or the fastening equipment, **including** the hoist rope.



WARNING

Tolerances at actual load display!

Due to tolerances, there may be a deviation in the actual load display in the „Current load“ icon 2!
The current load display in the „Current load“ icon 2 is no calibrated weighing device!

- ▶ Always observe the actual weight of the load in connection with the load charts and the set up configuration!



Note

Net load display in the „Current load“ icon 2!

- ▶ By using the function „Tare“ (see description of function key **F7** in section „Function key icon line“) the display can be changed over to display the net load! In the icon appears additionally the word „Net“!

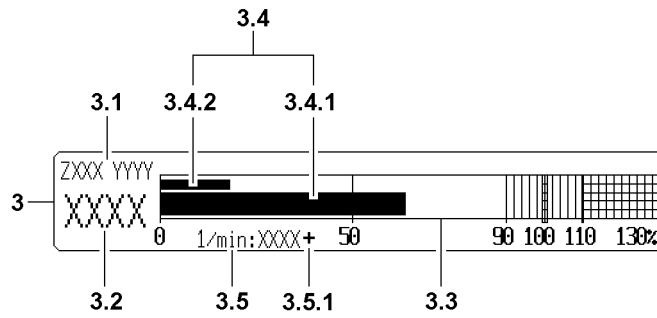


Fig.111933

6.1.3 Dynamic utilization bar

- 3 „Dynamic utilization bar“ icon
 - In percent [%]
- 3.1 Organization number
 - For internal Liebherr load chart administration
- 3.2 Short code
 - Identifies the selected set up configuration
- 3.3 Utilization scale
 - Marking from a utilization of 90 %: **Advance warning**
 - Marking at a utilization of 100 %: **STOP shut off**
- 3.4 Utilization bar
 - 3.4.1 Utilization bar of crane
 - According to load chart and reeving
 - **Note:**
The utilization bar is the measurement for the current utilization of the crane!

Utilization of crane according to load chart and reeving	=	$\frac{\text{Current load on the boom head}}{\text{Maximum load according to load chart and reeving}}$
--	---	--

- 3.4.2 Utilization bar boom nose*
 - **Note:**
Maximum load carrying capacity of the boom nose*: Load which can be lifted by the boom nose* alone!
Prerequisite: Sufficiently high load capacity on the boom head!

Utilization of the boom nose*	=	$\frac{\text{Current load carrying capacity of the boom nose*}}{\text{Maximum load carrying capacity of the boom nose*}}$
-------------------------------	---	---

- 3.5 Engine speed
 - In [rpm] or [n/min]
 - **Note:**
„????“ is displayed in case of an error in rpm value for approximately 5 seconds!
Then the nominal rpm for the diesel engine is set for the output regulation of the drives!
The set nominal rpm is shown blinking!
An error message is issued!
 - 3.5.1 Engine rpm lock
 - The engine rpm can be locked on the master switch. If the engine rpm has been locked, the icon „+“ appears behind the rpm display.

LWE/LR 11350-005/19004-04-02/en

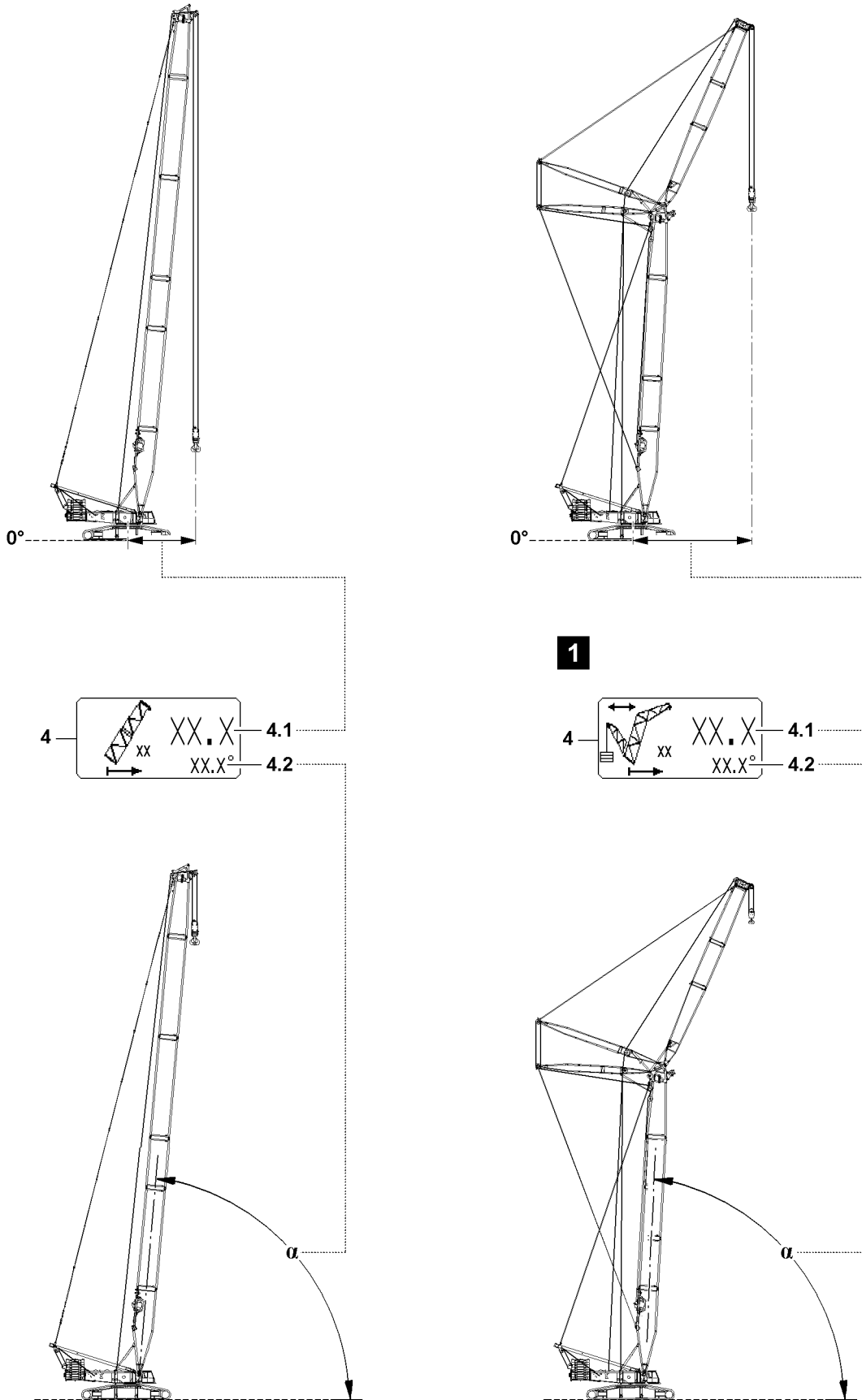


Fig.112633

LWE/LR 11350-005/19004-04-02/en

6.1.4 Radius

According to the set up configuration, the following changes:

- The illustration of the icon.
- The position of values in the icon, see sample illustration 1!

4 „Boom radius“ icon

- **Note:**

„? ? ? . ?“ is shown if the value cannot be calculated / determined!
An error message is issued, see Diagnostics manual!

4.1 Radius

- In [m] or [ft]

Denotes the horizontal distance of the load hook from the center of rotation of the crane superstructure, measured on the ground! This also takes into account the boom flexation due to its own weight and the suspended weight of the load!

4.2 Main boom angle

- In [°]

Displayed is the medium value of the angle sensor in the main boom pivot section and the angle sensor in the main boom pulley head.



Note

► Main boom angle 4.2 (angle α): The angle of the main boom to the placement surface of the crane!

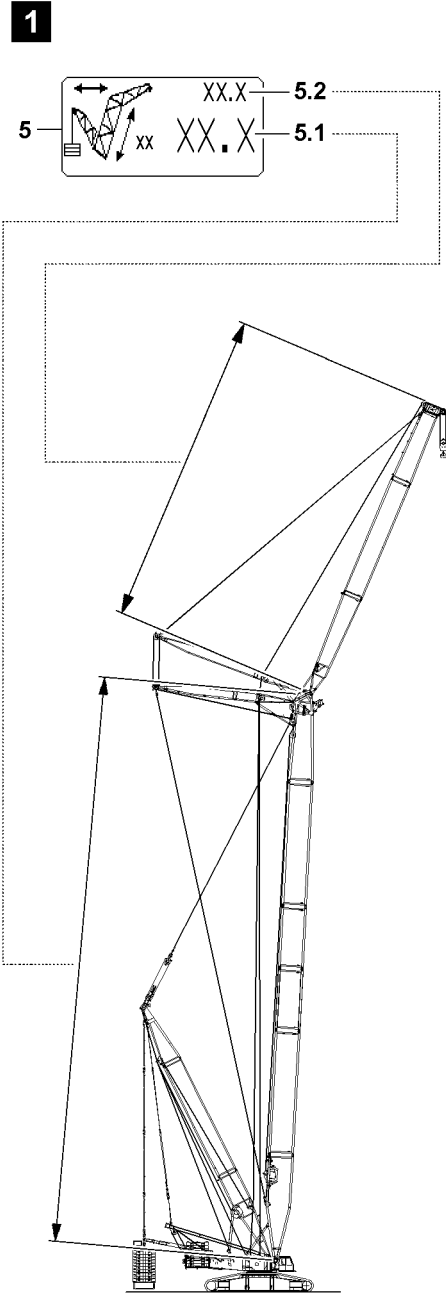
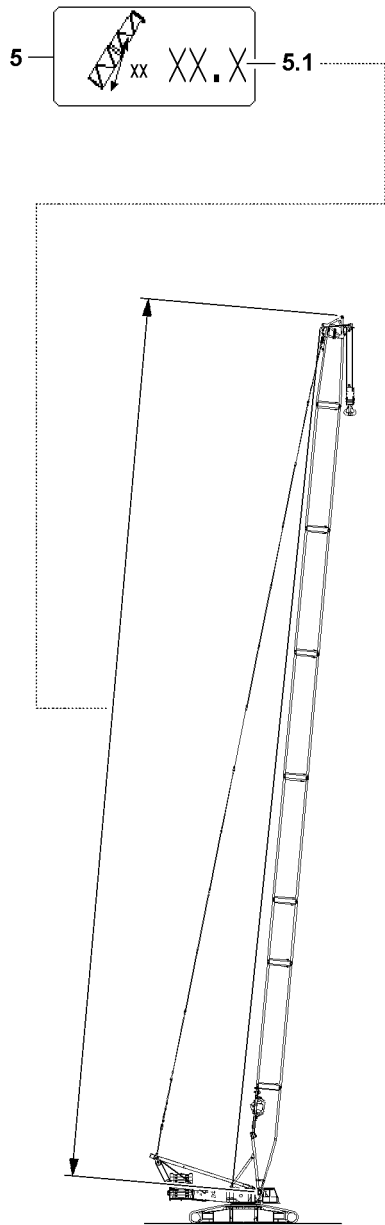


Fig.112638

LWE/LR 11350-005/19004-04-02/en

6.1.5 Boom length

According to the set up configuration, the following changes:

- The illustration of the icon.
- The position of values in the icon, see sample illustration 1!

5 „Boom length“ icon

5.1 Length of main boom

- In [m] or [ft]

5.2 Length of auxiliary boom / accessory

- In [m] or [ft]

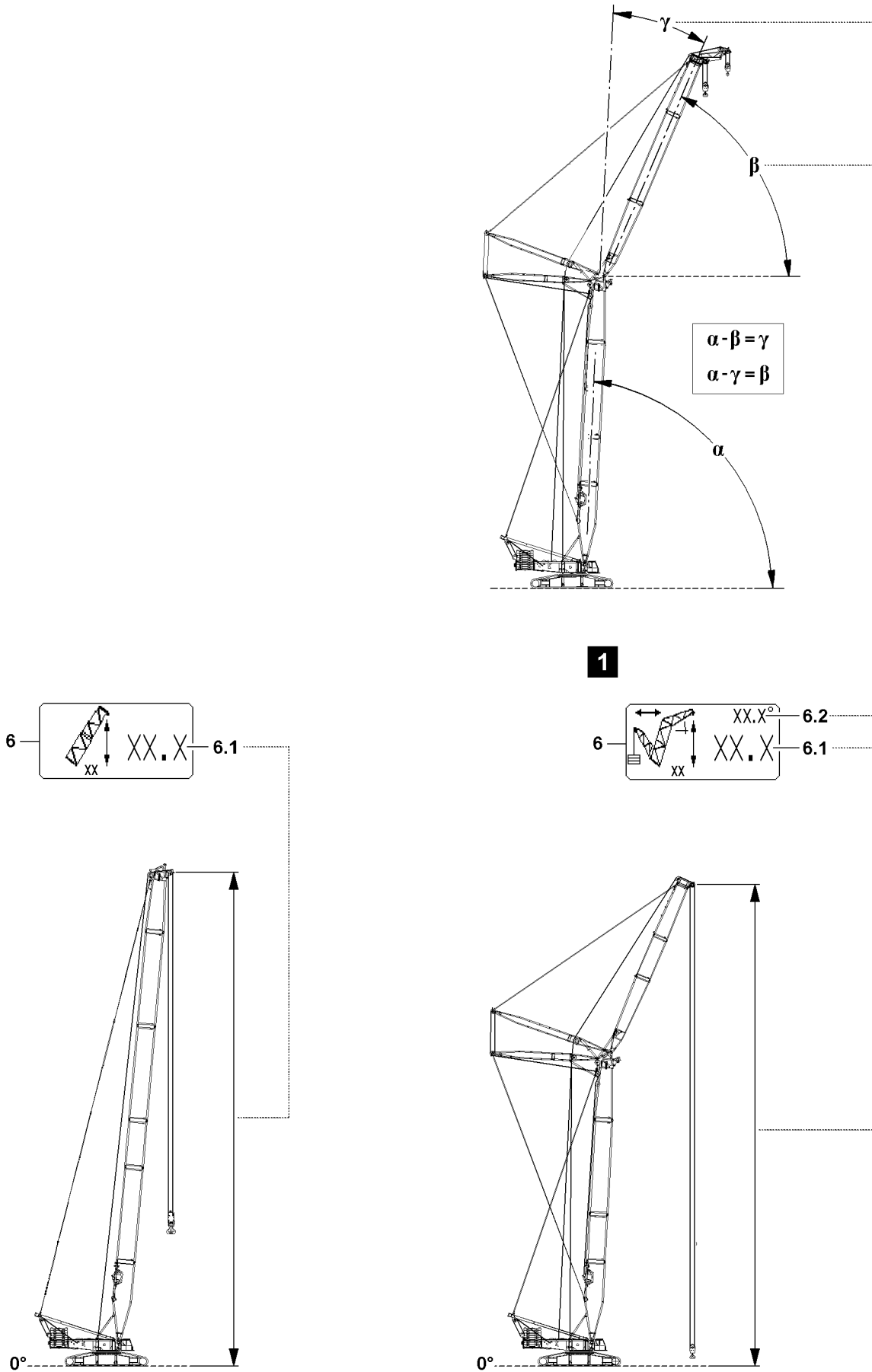


Fig.112639

LWE/LR 11350-005/19004-04-02/en

6.1.6 Pulley head height



Note

- ▶ Main boom angle α : The angle of the main boom to the placement surface of the crane!
- ▶ Angle auxiliary boom / accessory β : The angle of the auxiliary boom / accessory to the placement surface of the crane!
- ▶ Relative angle auxiliary boom / accessory γ : The angle of the auxiliary boom / accessory is determined relative to the main boom!

According to the set up configuration, the following changes:

- The illustration of the icon.
- The position of values in the icon, see sample illustration 1!

6 „Pulley head height“ icon

• Note:

- „? ? ? . ?“ is shown if the value cannot be calculated / determined!
An error message is issued, see Diagnostics manual!

6.1 Pulley head height

- In [m] or [ft]
- Marks the vertical distance from the placement surface of the crane to the selected pulley head axle.
The displayed maximum load is valid for the selected pulley head axle.

6.2 Angle auxiliary boom / accessory

- In [°]



Note

- ▶ Depending on the set up configuration and the load chart, a differentiation is made between an absolute angle display or a relative angle display!

β Absolute angle auxiliary boom / accessory

- The angle of the auxiliary boom / accessory to the horizontal (placement surface of the crane) in [°]
- Display absolute angle: For operating modes with load chart for a fixed defined main boom angle!

or

γ Relative angle auxiliary boom / accessory

- Angle between the main boom and the auxiliary boom / accessory in [°]
- Display relative angle: For operating modes with load chart for a fixed defined angle auxiliary boom / accessory!

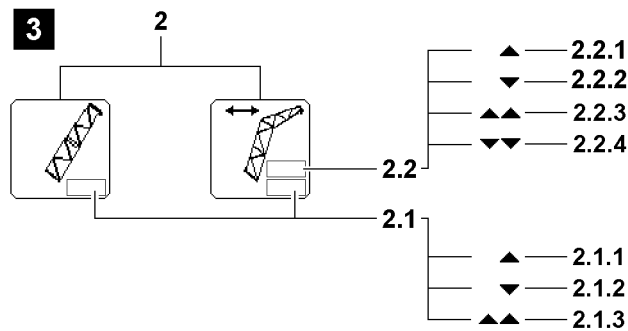
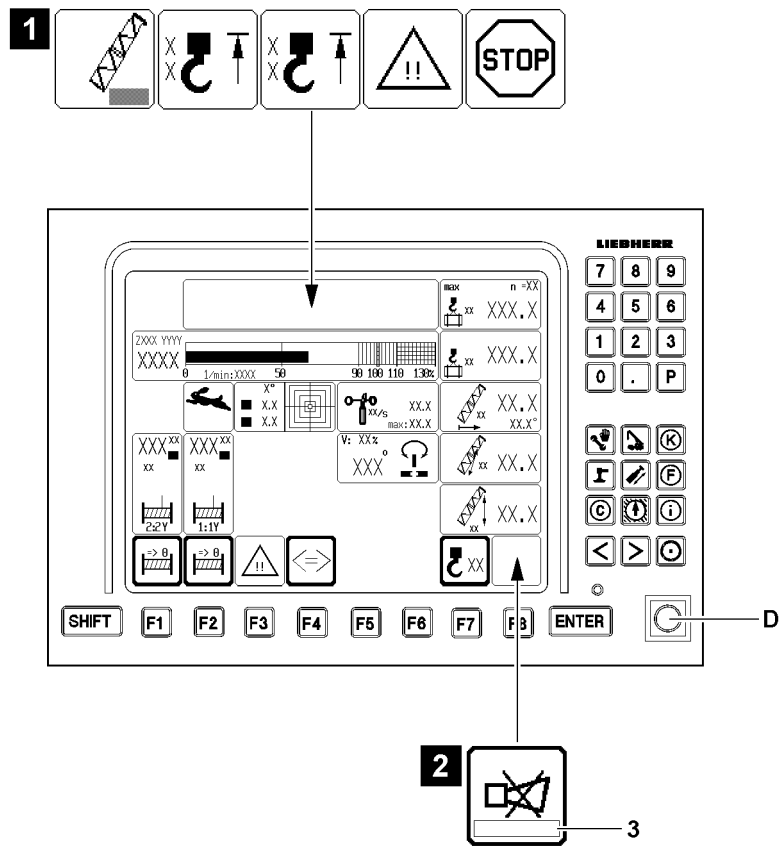


Fig.111930

6.2 Alarm functions

NOTICE

Triggered alarm function!

If an alarm function is triggered (for example a advance warning occurrence or LMB Stop), the cause must be determined!

- ▶ Always pay attention to triggered alarm functions!
- ▶ Alarm functions can flash over the monitor!

The limit ranges of the crane movements are monitored. When the limit ranges are reached, the crane operator is warned by the alarm functions.

The alarm functions are shown by the LICCON monitor:

- Optically with icons, see illustration 1.
- Acoustically by a warning sound „Horn“, see illustration 2.

In case of a failure of the relevant sensors / limit switches, special error messages 3 are added.

6.2.1 Boom limitation

See illustration 3

Limit signs main boom



Note

- ▶ The icon „Boom limitation“ 2 can change in different operating modes, but it is shown always at the same position in the LICCON monitor!
- ▶ The field 2.1 „on the bottom“ refers to the main boom!
- ▶ The field 2.2 „on the top“ refers to the auxiliary boom / accessory!

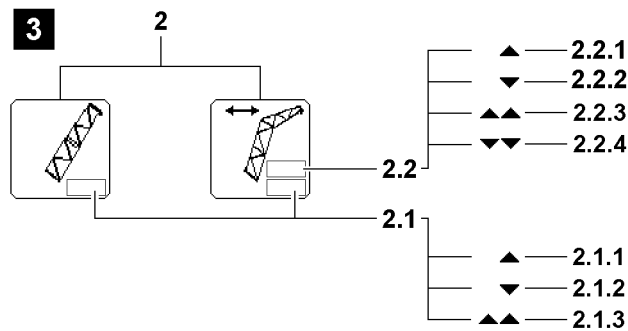
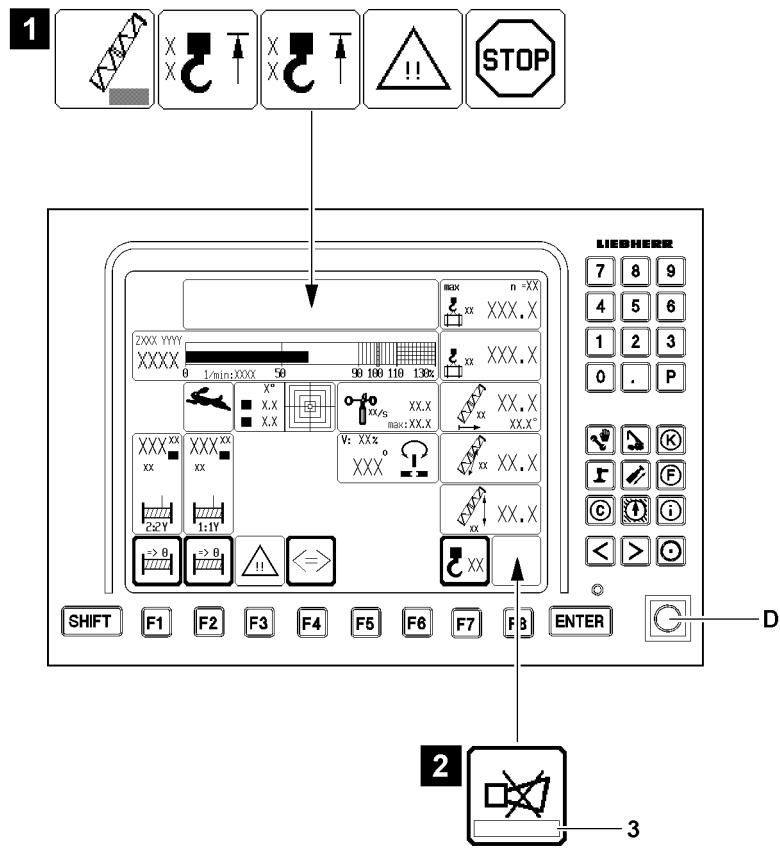




Fig.111930

2.1 „Boom limitation Main boom“ icon

- The luffing range of the main boom is limited both upwards and downwards
- This icon appears if an end position determined by the load chart is reached when luffing the boom or when luffing the boom is disabled by a proximity switch
- Exclamation marks show when an associated sensor is defective


Position	Icon	Description
2.1.1		The shut off „Luffing up the main boom“ is made by running against the upper load chart limit or Utilization larger than 95 % and falling load carrying capacity when luffing up the main boom. Note: Luffing down the main boom is still possible!
2.1.2		The shut off „Luffing down the main boom“ is made by running against the lower load chart limit. Note: Luffing up the main boom is still possible!

**WARNING**

Alarm function deactivated!

When the set up key **D** is actuated, there is no shut off of crane movement via position **2.1.1** and position **2.1.2!**

► Observe the Crane operating instructions, chapter 4.20!

Position	Icon	Description
2.1.3		The shut off „Luffing up the main boom“ is triggered by running against the block limit switch of the main boom relapse cylinders on the left / right (boom steep) or due to an error in one block limit switch of the main boom relapse cylinders. Note: Luffing down the main boom is still possible!

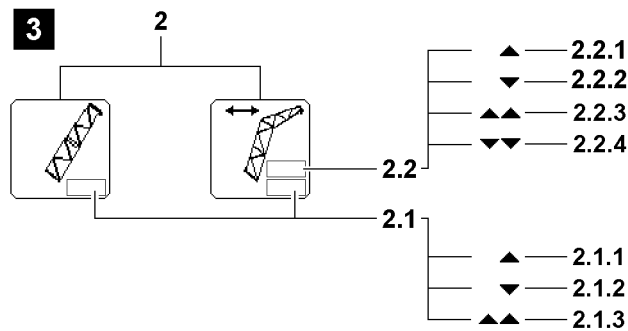
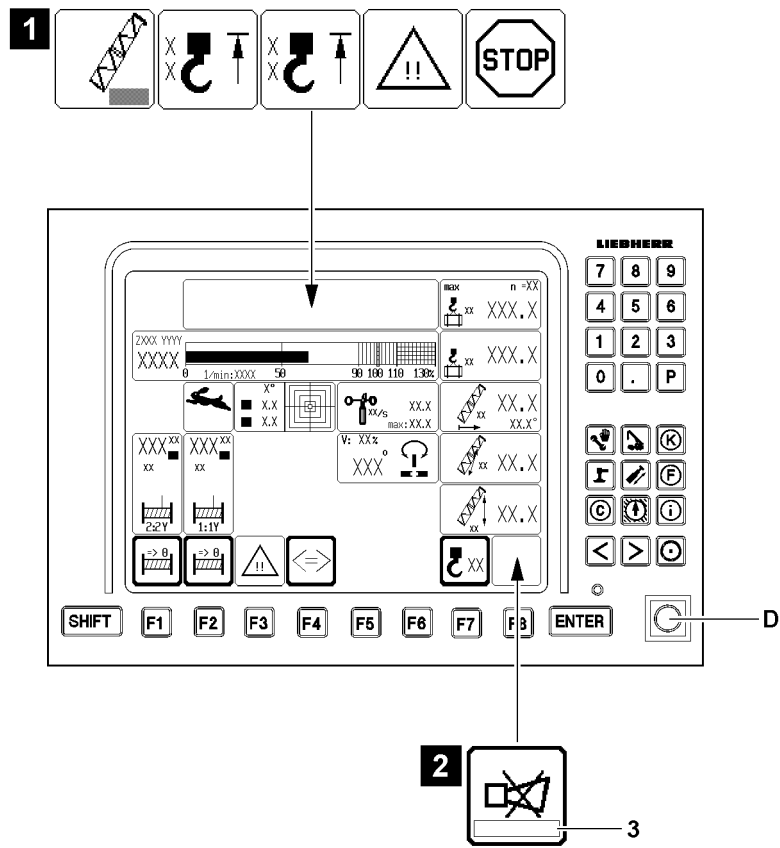


Fig.111930

Limit sign auxiliary boom / accessory



Note

- ▶ The icon „Boom limitation“ 2 can change in different operating modes, but it is shown always at the same position in the LICCON monitor!
- ▶ The field 2.1 „on the bottom“ refers to the limit sign main boom!
- ▶ The field 2.2 „on the top“ refers to the limit sign auxiliary boom / accessory!

2.2 „Boom limitation auxiliary boom / accessory“ icon

- The luffing range of the auxiliary boom / accessory is limited both upwards and downwards.
- This icon appears if an end position determined by the load chart is reached when luffing the auxiliary boom / accessory or when luffing is disabled by a limit switch.
- Exclamation marks show when an associated sensor is defective.

Position	Icon	Description
2.2.1	▲	The shut off „Luffing up the auxiliary boom / accessory“ is triggered by running against the upper load chart limit. Note: Luffing the auxiliary boom / accessory down remains possible!
2.2.2	▼	The shut off „Luffing down the auxiliary boom / accessory“ is triggered by running against the lower load chart limit. Note: Luffing the auxiliary boom / accessory up remains possible!



WARNING

Alarm function deactivated!

When the set up key **D** is actuated, there is no shut off of crane movement via position **2.2.1** and position **2.2.2**!

- ▶ Observe the Crane operating instructions, chapter 4.20!

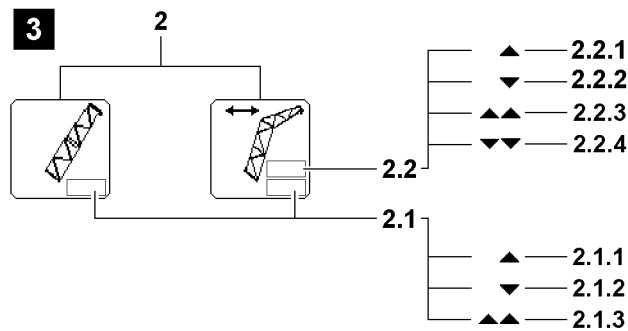
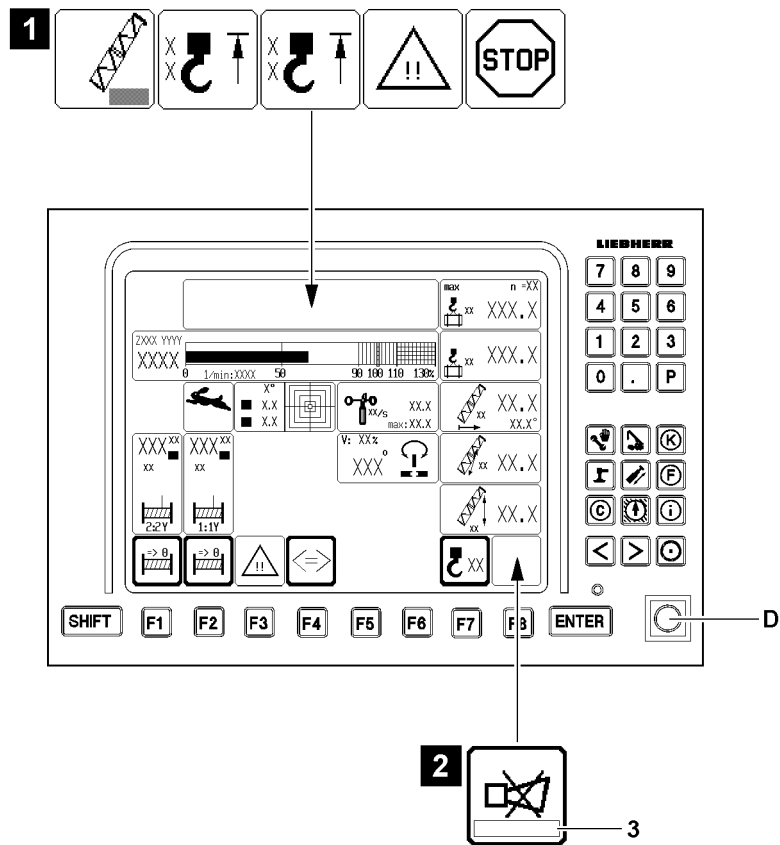




Fig.111930

Position	Icon	Description
2.2.3		<p>The shut off „Luffing up the auxiliary boom / accessory“ is triggered by running against a block limit switch of the relapse cylinders auxiliary boom / accessory</p> <p>or</p> <p>the relapse flap</p> <p>or</p> <p>an error on one limit switch occurs.</p> <p>Note: Luffing the auxiliary boom / accessory down remains possible!</p>
2.2.4		<p>The shut off „Luffing down the auxiliary boom / accessory“ is triggered by running against a block limit switch („Auxiliary boom / accessory lower left / right“)</p> <p>or</p> <p>an error on one of these limit switches occurs.</p> <p>Note: Luffing the auxiliary boom / accessory up remains possible!</p>

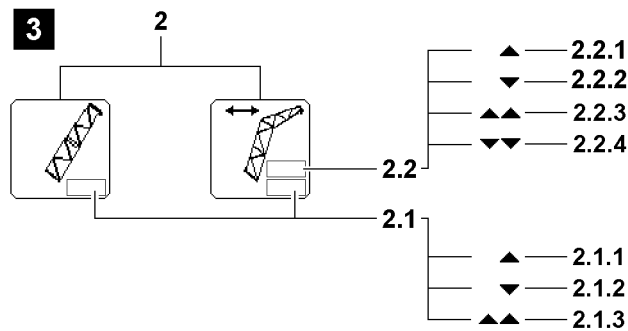
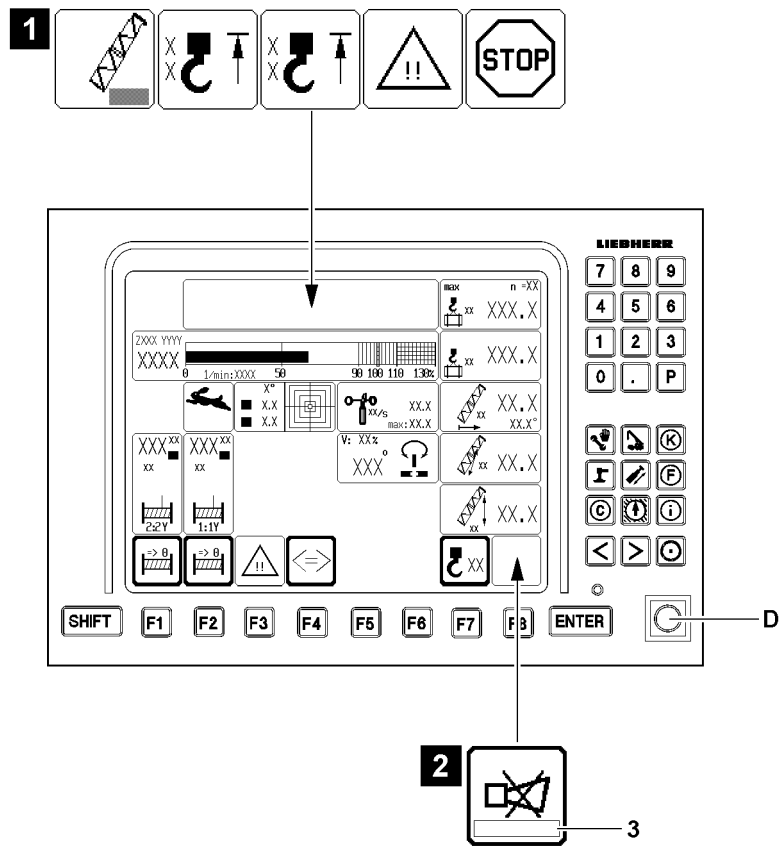


Fig.111930

6.2.2 Failure of sensor / limit switch

NOTICE

Failure of sensor / limit switch!

Depending on the classification of the sensor / limit switch, the crane can continue to be operated with limitation or is shut off by the control!

If an error message is issued in the horn icon **3**, see illustration **2**!

The error message shows defective sensors / limit switches, see Diagnostics manual!

- ▶ The error must be remedied immediately!
- ▶ Crane movements after a failure of a sensor / limit switch must be carried out anticipatorily and with extreme caution!

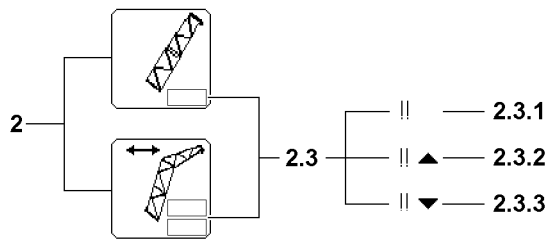


Fig.111928

Position	Icon	Description
2.3.1	!!	On the auxiliary boom / accessory, at least one associated sensor / limit switch is defective / missing. If an alarm function occurs at the same time, then the icon can be shown differently, see position 2.3.1, position 2.3.2 or position 2.3.3.
2.3.2	!!▲	
2.3.3	!!▼	Note: Not every failure of a sensor / limit switch on the boom is shown in the „Boom limitation“ icon 2. Observe the error message in Horn 3 icon!



Note

- ▶ Depending on the classification of the sensor / limit switch, the respective crane movement is shut off in case of a failure **unbypassably**!
- ▶ When deflecting the master switch, an operating error message is issued in the horn icon **3**! The operating error message shows defective sensors / limit switches!
- ▶ If the error cannot be remedied by yourself, contact Liebherr Service!

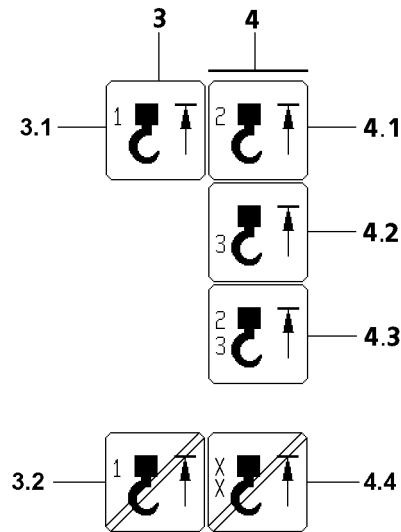


Fig.112365

6.2.3 Hoist top limit switch HES1

- 3 „Hoist top on HES1“ icon
- In order to prevent the crane from being operated without hoist limit switches (HES), the minimum hoist limit switch configuration is continuously monitored. If a hoist limit switch required for a particular operating mode is not plugged in, therefore not active on the LSB bus system, an LMB STOP is triggered and an operating error report is also issued.
 - **Note:**
HES1 (HES1A + HES1B) must be present for all operating modes with main boom!
HES1 (HES1A + HES1B) turn the same functions off as the remaining hoist limit switches!
- 3.1 HES1
- Location HES1A:
Main boom end section: left, bus address: 27
 - Location HES1B:
Main boom end section: right, bus address: 28
 - The „**HES1**“ icon appears if:
 - The hook block runs against the HES1A.
 - HES1A is not active, although it must be present on the bus.
 - HES1A has an internal error.
 - The hook block runs against the HES1B.
 - HES1B is not active, although it must be present on the bus.
 - HES1B has an internal error.
 - **Note:**
The crane movements spool the hoist winches up, luff the boom down as well as luff the derrick boom down are turned off!
- 3.2 „Hoist top on boom bypassed“ icon
- The icon appears when the „Hoist top shut off“ is bypassed.

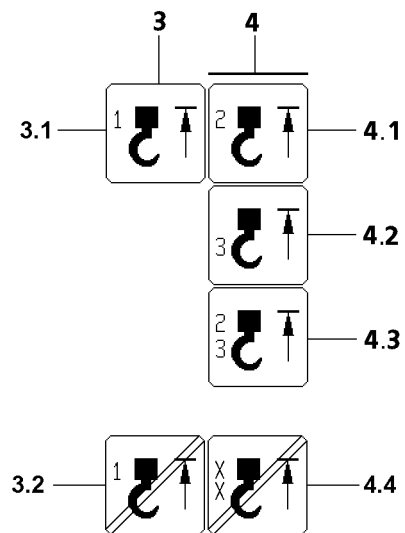


Fig.112365

6.2.4 Hoist top limit switch HES2 and HES3

4 „Hoist top on HES2 / HES3“ icon

- In order to prevent the crane from being operated without hoist limit switches (HES), the minimum hoist limit switch configuration is continuously monitored. If a hoist limit switch required for a particular operating mode is not plugged in, therefore not active on the LSB bus system, an LMB STOP is triggered and an operating error report is also issued.
- **Note:**
HES2 (HES2A + HES2B) must be present for all operating modes with auxiliary boom / accessory!
HES1 (HES2A + HES2B) turn the same functions off as the remaining hoist limit switches!
- **Note:**
HES3 must be present for all operating modes with boom nose*!
HES3 turn the same functions off as the remaining hoist limit switches!

4.1 HES2

- Installation location HES2A: Auxiliary boom / accessory*
Bus address: 27
- Installation location HES2B: Auxiliary boom / accessory*
Bus address: 28
- The „**HES2**“ icon appears if:
 - The hook block moves against the HES2A on the auxiliary boom / accessory.
 - HES2A is not active, although it must be present on the bus.
 - HES2A has an internal error.
 - The hook block moves against the HES2B on the auxiliary boom / accessory.
 - HES2B is not active, although it must be present on the bus.
 - HES2B has an internal error.
- **Note:**
The crane movements spool the hoist winches up, luff the boom down as well as luff the derrick boom down are turned off!

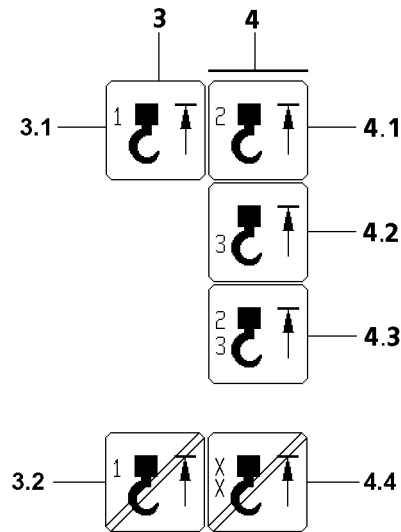


Fig.112365

4.2 „Hoist top on HES3“ icon

Installation location(s):

- Main boom boom nose 1, bus address: 24*
- Main boom boom nose 2, bus address: 25*
- Main boom boom nose 3, bus address: 26*
- Auxiliary boom / accessory boom nose 1, bus address: 24*
- Auxiliary boom / accessory boom nose 2, bus address: 25*
- Auxiliary boom / accessory boom nose 3, bus address: 26*
- The „**HES3**“ icon appears if:
 - The hook block runs against the HES3.
 - HES3 is not active, although it must be present on the bus.
 - HES3 has an internal error.

Note:

The crane movements spool the hoist winches up, luff the boom down as well as luff the derrick boom down are turned off!

4.3 HES2 and HES3

- The icon appears when icon HES2 and HES3 appear simultaneously.

4.4 „Hoist top on boom bypassed“ icon

- The icon appears when the „Hoist top shut off“ is bypassed.

Note:

Only the icons for active and bypassed hoist limit switches appear!

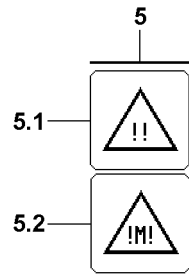


Fig.112366

6.2.5 Advance warning LMB / advance warning engine monitoring

5 „Advance warning“ icon

5.1 Advance warning LMB

- The current load chart utilization is calculated from the „current load“ and the „maximum load according to the load chart and the reeving“.
- The „Advance warning“ icon appears if:
 - The current load chart utilization of the crane, according to the „Load chart and reeving“ exceeds the programmed limit (**90 percent**) for the advance warning.
 - or**
 - The current utilization of the boom nose* exceeds the programmed limit (**90 %**) for the advance warning.

5.2 Advance warning engine monitoring

- If a warning event occurs in the engine monitoring system, the „Engine monitoring advance warning“ icon is displayed on the LICCON monitor.

NOTICE

Shut off engine monitoring!

Outside of the crane operation program, the engine monitoring is turned off!

When the engine monitoring is turned off, problems and warning occurrences are not recognized!

This could result in crane failure!

- ▶ If work is not carried out in the crane operation program, then turn the crane engine off and operate the LICCON computer system in stand-by mode, see section „LICCON computer system in stand-by mode“!
 - ▶ If work has to be carried out for a longer period outside of the crane operation program, with the engine running, then switch regularly into the engine monitoring screen!
-

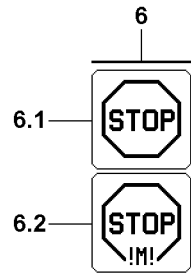


Fig.112367

6.2.6 LMB STOP / Engine monitoring STOP

6 „STOP“ icon

6.1 LMB STOP

- The „STOP“ icon appears when the load chart utilization exceeds the **100 % mark** (LMB STOP).

- **Note:**

All crane movements that increase the load momentum are shut off!

or

6.1 Sensor error

- The „STOP“ icon appears when a sensor which is required to monitor the load chart has an error (LMB STOP is actuated).

- **Note:**

All crane movements that increase the load momentum are shut off!

or

6.1 No load chart

- The „STOP“ icon appears if no load chart is available (LMB STOP is actuated).

- **Note:**

All crane movements that increase the load momentum are shut off!

6.2 Engine monitoring STOP

- If a STOP event occurs in the engine monitoring system, the system automatically switches over (from the Crane operation program) to the Engine monitoring program.

NOTICE

Shut off engine monitoring!

Outside of the crane operation program, the engine monitoring is turned off!

When the engine monitoring is turned off, problems and warning occurrences are not recognized!

This could result in crane failure!

- ▶ If work is not carried out in the crane operation program, then turn the crane engine off and operate the LICCON computer system in stand-by mode, see section „LICCON computer system in stand-by mode“!
 - ▶ If work has to be carried out for a longer period outside of the crane operation program, with the engine running, then switch regularly into the engine monitoring screen!
-

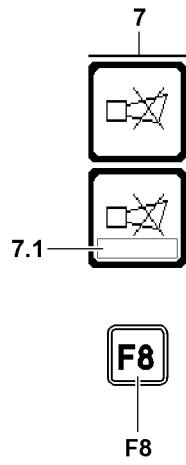


Fig.111270

6.2.7 Acoustic warning on monitor 0

Acoustic warnings on monitor 0 are indicated by the warning sound „Horn“.

The warning sound „Horn“ is divided into two categories:

- „Horn“ is a beeping sound of a duration of approximately 0.5 seconds, which is repeated in a second cycle.
- „Short horn“ is a beeping sound of a duration of approximately 0.1 seconds, which is repeated in a second cycle.

7 Horn icon

- When the horn icon is shown in the LICCON monitor, any acoustic signals which will occur can be shut off by the LICCON monitor **0** by pressing the function key **F8**.
- If an error message is shown in the horn icon **7** in field **7.1**, then the present error can be determined through it in the diagnostics manual. Pressing the function key **F8** twice, automatically changes to the error determination screen of the test system. The error is displayed there in documentary form.

Acoustic signal „Horn“

1. Sounds in addition to the visual display of an error message in field **7.1** in case of operational errors are found, which lead to a shut off of a crane movement.

Operational errors are:

- Overload
- Boom outside of the angle / radius range of the load chart

2. In case of application errors with error number (LICCON Error Code LEC). For example sensor errors, which occur due to insufficient sensor signals or a defective sensor.

The following sensors are monitored:

- Length sensors
- Angle sensors
- Pressure sensors
- Pull test brackets (force test boxes)
- Inductive sensors
- Hoist limit switch
- Wind sensor
- Battery voltage

Acoustic signal „Short horn“

Sounds in addition to the visual display of error messages without an error number and which do not lead directly to crane movement shut off by the LICCON overload protection.

Monitored error messages are:

- Maximum permissible wind speed exceeded (only for activated wind sensor*).
- Crane utilization value for „Advance warning“ (90 %) reached.

Priority acoustic signal

- The „Horn“ alarm has higher priority than the „Short horn“ alarm, i.e. „Horn“ takes preference over „Short horn“.
- The „Horn“, as well as the „Short horn“ immediately become active again if an error recurs!

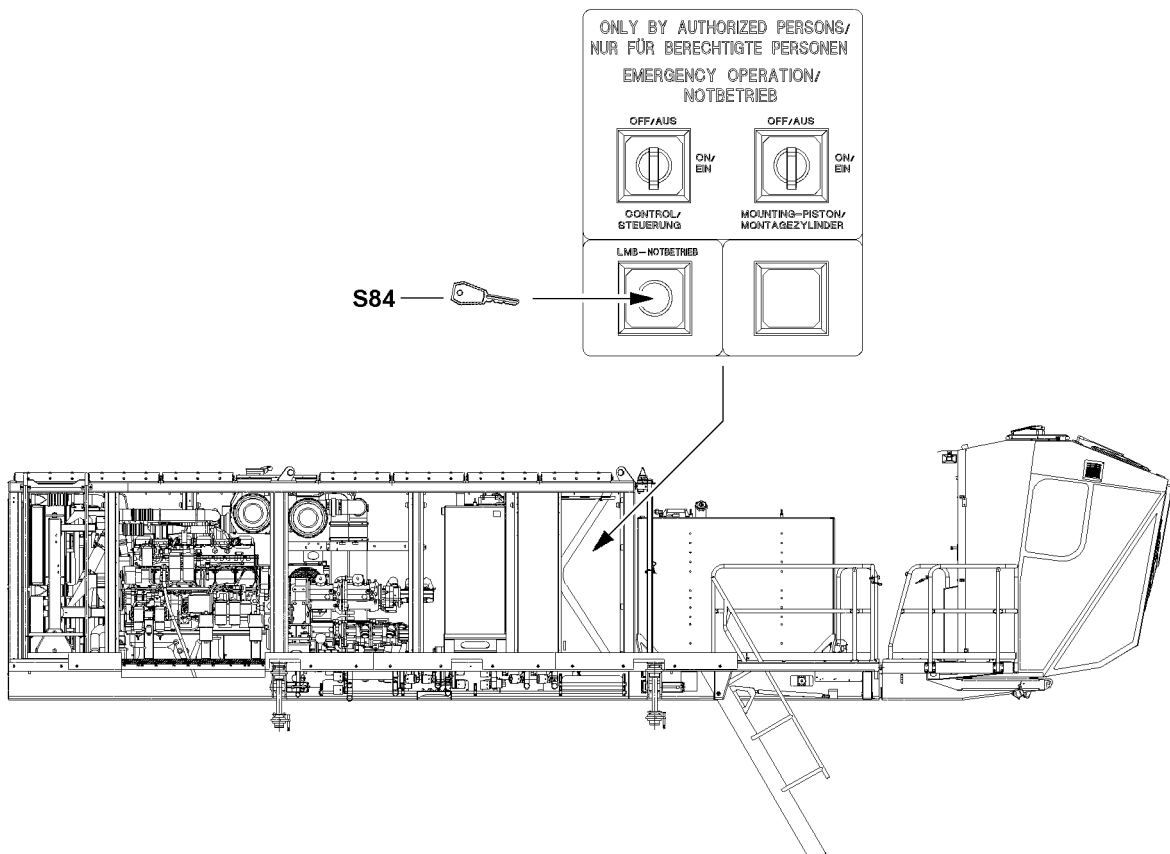
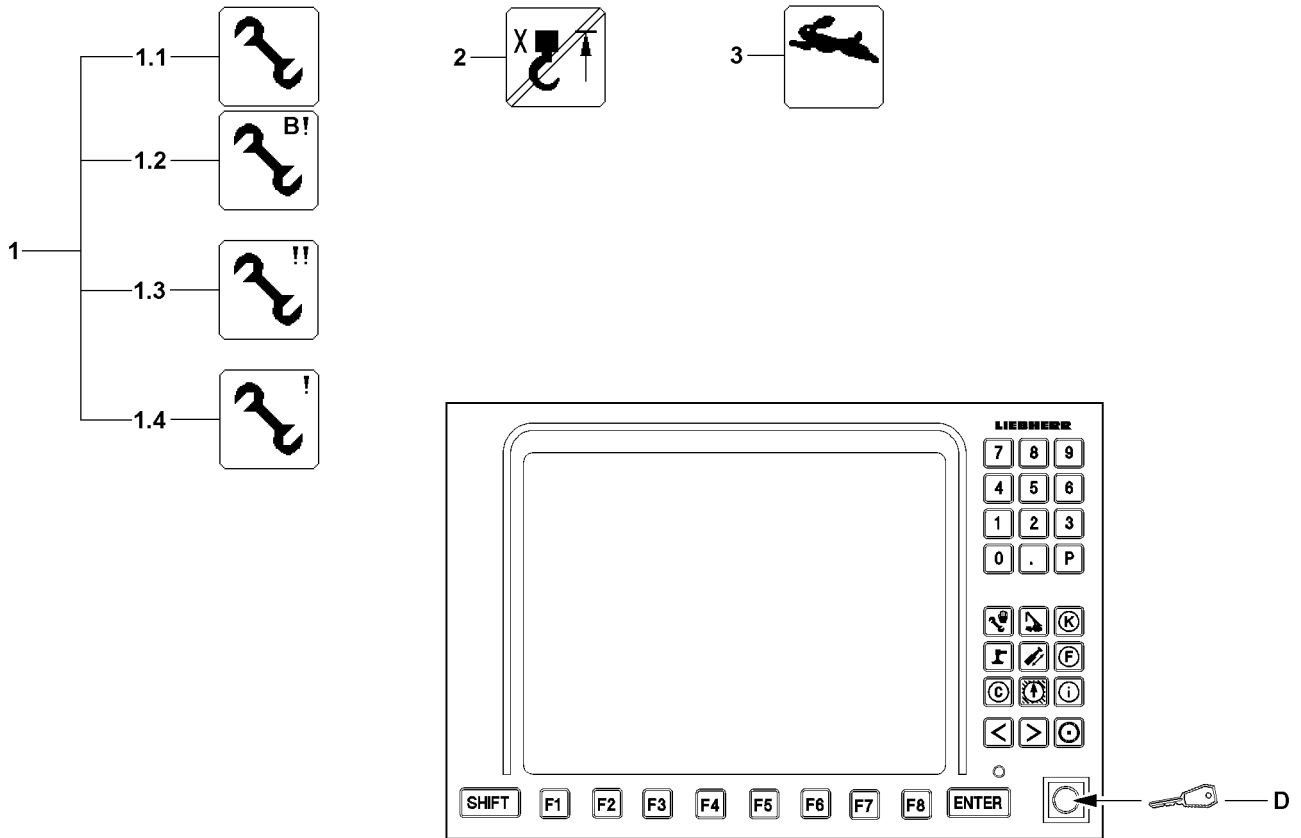


Fig.112949

6.3 Special functions



Note

Double function set up key!

If the crane has **no** CE-mark, when actuating the set up key **D**, the release for the „Emergency operation LICCON overload protection“ is automatically engaged!

- ▶ Take into account, when actuating the set up key **D**, that the „Emergency operation LICCON overload protection“ is automatically released!



Note

- ▶ The various icons **1** are shown on the same position in the LICCON monitor, depending on the operating mode, illustration **2**.

- ▶ For operation and specifications for using the set up key **D** see Crane operating instructions, chapter 4.20 and 7.15.

6.3.1 Exceeding the shut off limits of the LICCON overload protection

1.1 Exceeding the shut off limits of the LICCON overload protection

- The icon appears:
 - When the shut off limits of the LICCON overload protection are bypassed via the set up key **D**.
 - **Note:**
The Crane operation program is locked, meaning, no other program can be turned on via the program keys.

6.3.2 No load chart is available

1.2 No load chart is available

- The icon appears:
 - When the shut off limits of the LICCON overload protection are bypassed via the set up key **D** **and** no load chart is available.
 - **Note:**
By actuating the set up key **D**, all erection / take down procedures can be carried out within the erection / take down charts, for which no load charts are available!

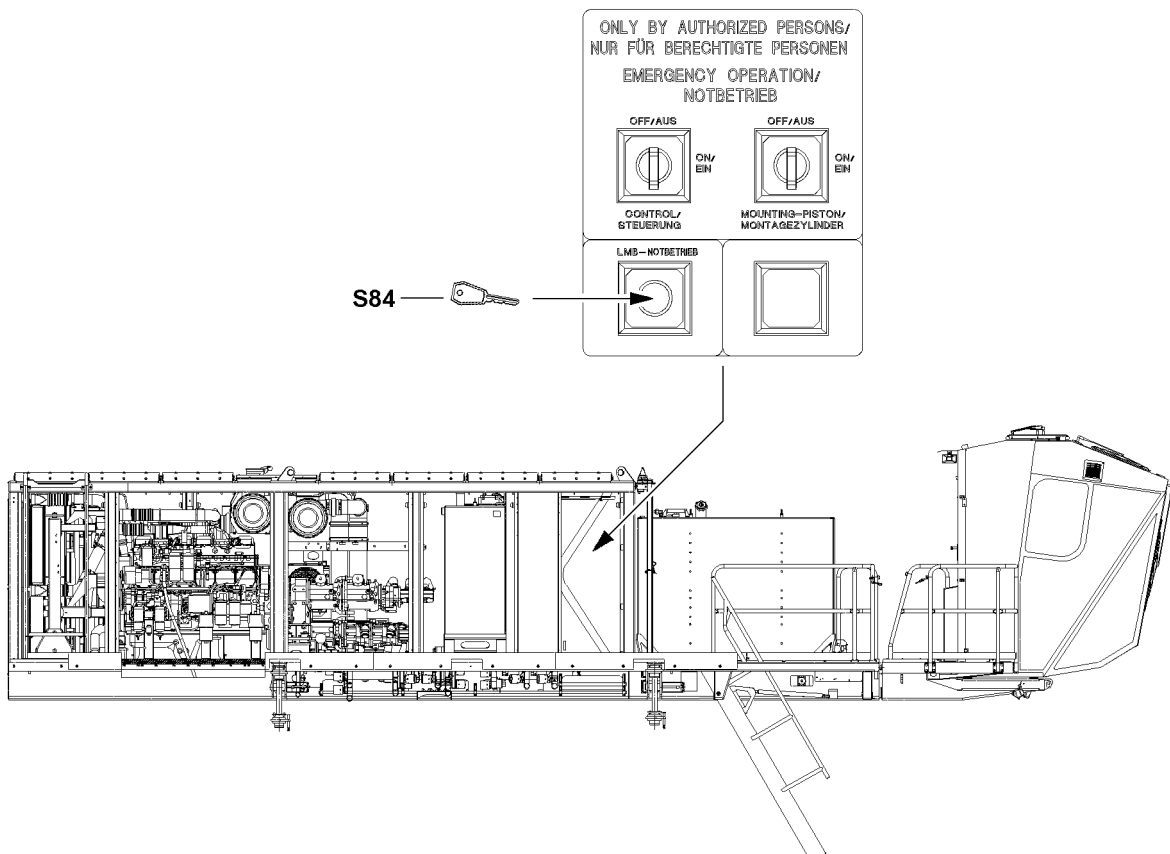
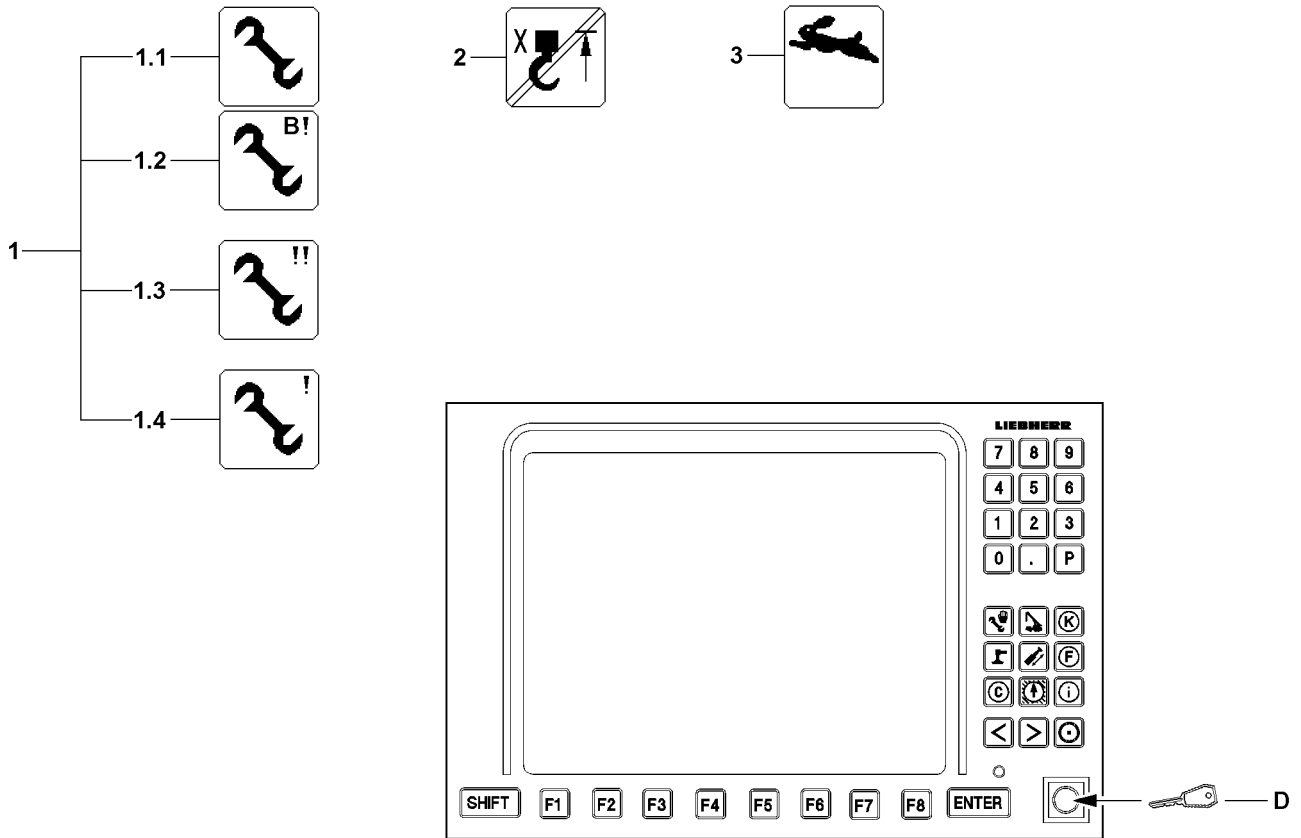


Fig.112949

6.3.3 Emergency operation LICCON overload protection (according to EN 13000:2010)

1.3 LMB emergency operation activated

- The icon appears:
 - when the LMB-emergency operation is activated via the key button **S84**.
 - **Note:**
The Crane operation program is locked, meaning, no other program can be turned on via the program keys.

6.3.4 Emergency operation LICCON overload protection (crane without CE mark)



Note

If the crane has **no** CE mark, then the functions of the „Emergency operation of the LICCON overload protection“ are also engaged by the set up key **D!**

- ▶ Only crane without CE-mark: If the emergency operation LICCON overload protection is needed, actuate the key button **S84** or the set up key **D!**

1.3 LMB emergency operation activated

- Icon appears:
 - when the LMB emergency operation is activated by the keyed button **S84** or the set up key **D**.
 - **Note:**
Depending on the reason for the LMB emergency operation, the icon for no load chart available **1.2** can also appear.
 - **Note:**
The Crane operation program is locked, meaning, no other program can be turned on via the program keys.

6.3.5 Additional emergency operating modes



WARNING

Erroneous operation of the crane!

If one of the icons for additional emergency operating modes **1.4** appears, then there is a risk of accidents due to erroneous operation of the crane!

Personnel can be killed or injured!

This could result in property damage!

- ▶ Deactivate additional operating modes **1.4** again or contact Liebherr Service and coordinate further procedure.

1.4 Additional emergency operating modes

- Icon **1.4** appears if additional emergency operating modes were activated.

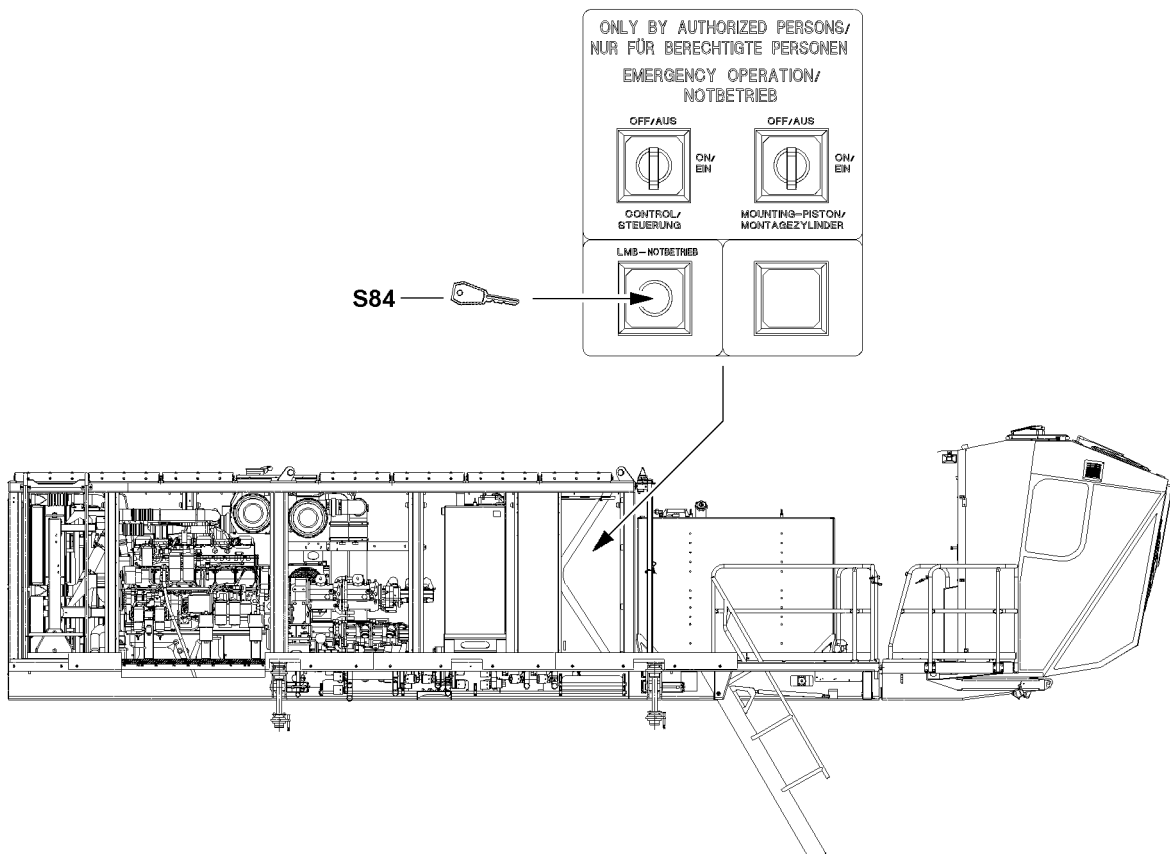
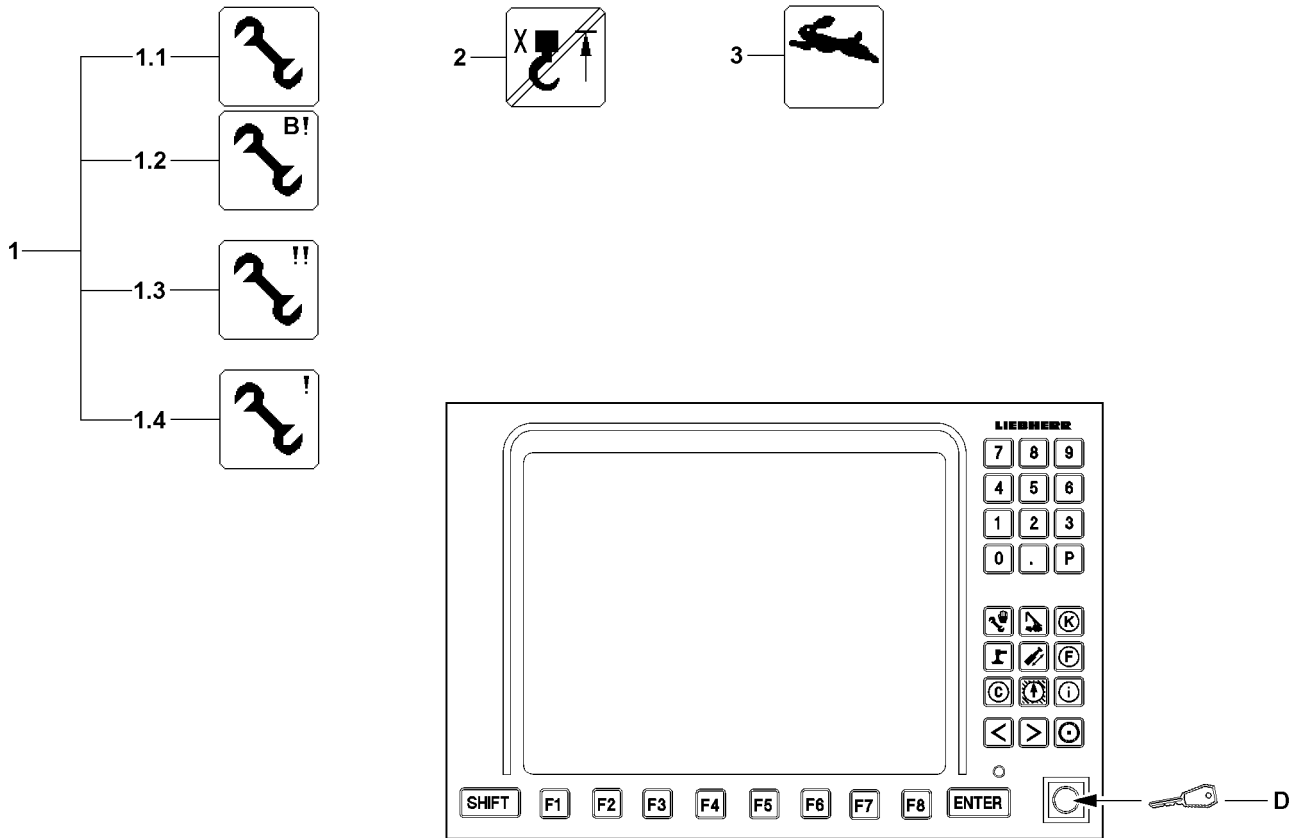


Fig.112949

6.3.6 Bypass „Hoist top“

2 Bypass „Hoist top“

- The icon appears:
 - When the shut off „hoist top“ is bypassed via the set up key **D**
 - **Note:**
The Crane operation program is locked, meaning, no other program can be turned on via the program keys.

6.3.7 Fast mode (Rapid gear)



Note

- ▶ **Crane operation without rapid gear:** The speeds of the individual crane movements are independent of each other. There is no interference of the movement speeds.
- ▶ **Crane operation with rapid gear:** If the rapid gear is added, the individual crane movements can reach the largest possible movement speed. However, this means that all crane movements can be slowed down in case of several crane movements.

Add the rapid gear only when:

- If the highest possible movement speed is to be made possible for individual crane movements **and**
- An interference of the movement speeds among them creates no problem.

3 „Rapid gear“ 3 icon

- The icon appears if the rapid gear is enabled for one or several crane movements.

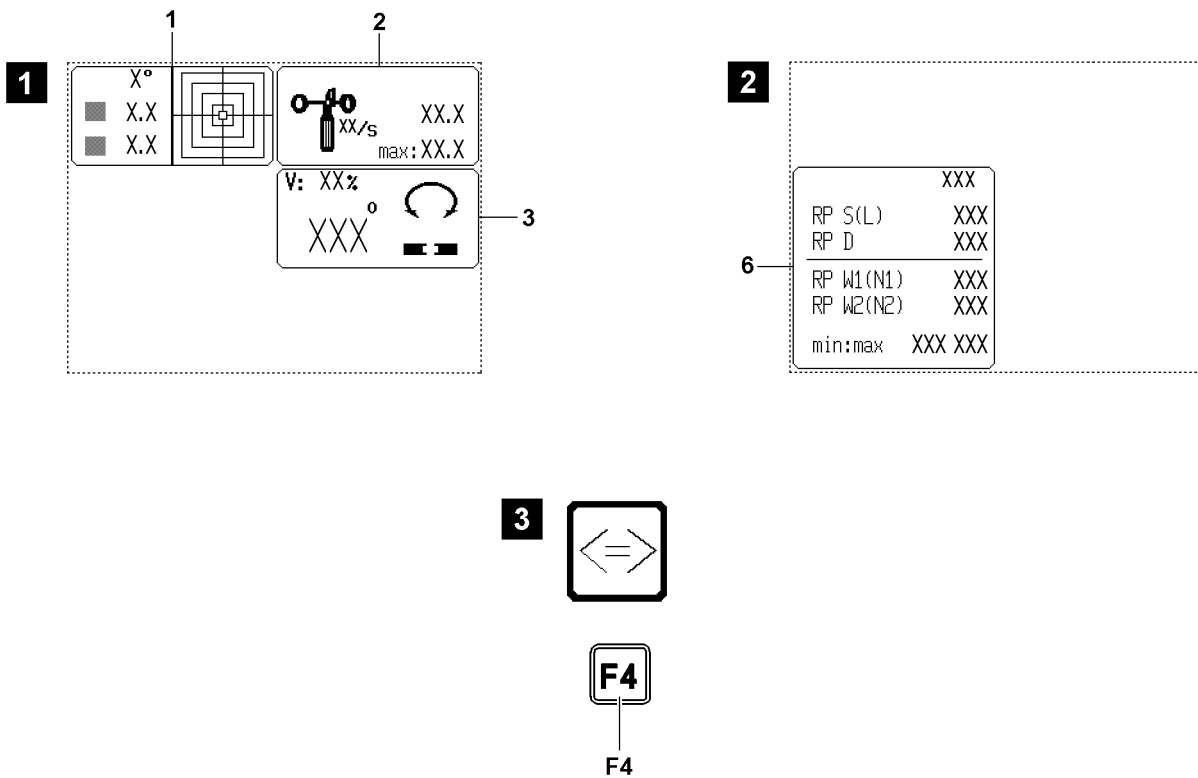
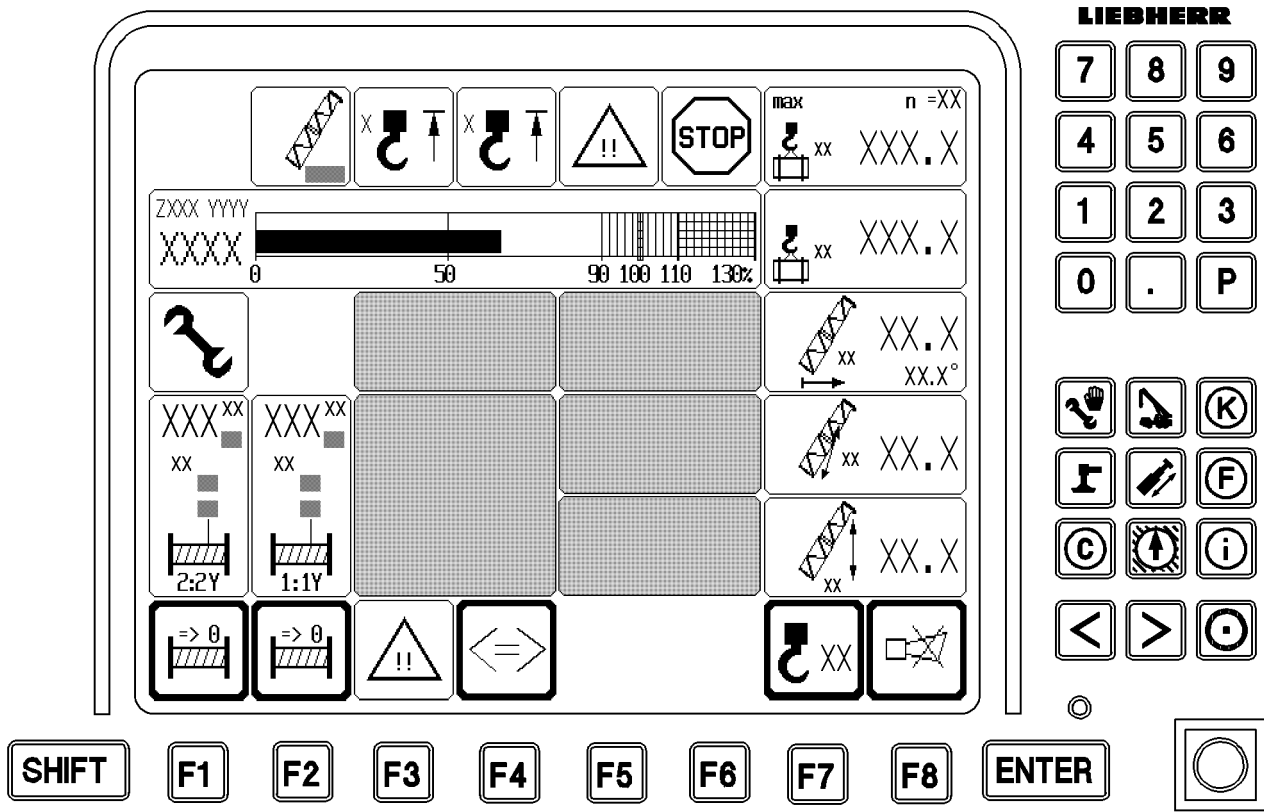


Fig.112351

6.4 Monitored auxiliary functions for crane operation

There are several monitored auxiliary functions, which can be displayed when needed or automatically.

The monitoring of all auxiliary functions is always active, only the icons can be faded out. The icons of the monitored auxiliary functions have their fixed place on the LICCON monitor.



Note

- ▶ Using the function key **F3**, you can show the icons for the monitored auxiliary functions. Since not all icons of the auxiliary functions fit on one page (at maximum assignment), they are split over two pages. The icons on page 2 (if available) can be shown with the function key **F4**!

Page 1 (illustration 1):

- 1 Crane incline
- 2 Wind speed
- 3 Slewing range

Page 2 (illustration 2):

- 6 Monitoring of relapse cylinders



Note

- ▶ Depending if the monitored auxiliary functions are turned off or on, the illustration of the monitored auxiliary functions differs!
- ▶ The „Change page“ icon can be actuated if it appears / blinks via the function key **F4**, see illustration 3!

Monitored auxiliary functions turned off:

- No error:
Icons are not shown.
- Only error in one function on page 1:
Icon is displayed on page 1.
- Only error in one function on page 2:
Icon is displayed on page 2.
- Error in a function on page 1 and 2:
Icon is displayed on page 1 and icon for „change page“ via function key **F4** blinks (= indicates an error in a function on page 2).

Monitored auxiliary functions turned on:

- No error:
Optional icons (customer request) are displayed.
If there are optional icons on page 2, the icon „Change page“ via the function key **F4** is activated (= indication for change option).
- Error in one function on page 2:
Icon „Change page“ blinks (= indication regarding an error of a function on the other page).
- Error in a function on page 1 and 2:
Icon is displayed on page 1.
Icon „Change page“ blinks (= indication regarding an error of a function on the other page).

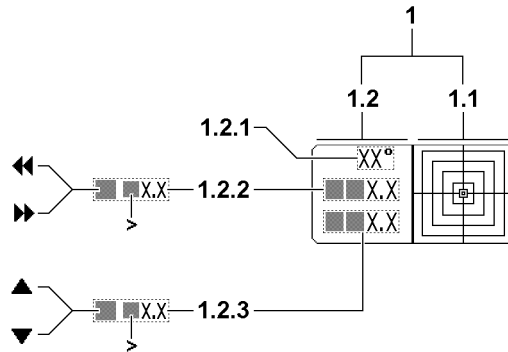


Fig.113445

6.4.1 General



Note

„?“ instead of display value!

- ▶ The value cannot be determined due to an error!
- ▶ If an error occurs and an error message is issued, see Diagnostics manual!
- ▶ Always pay attention to error messages!
- ▶ Remedy the error always as quick as possible!

6.4.2 Crane incline



WARNING

The crane can topple over!

The „larger than symbol“ shows that the crane is inclined further than can be shown!

The exact incline can then not be read!

- ▶ Do not exceed the permissible incline of the crane!

1 „Incline“ icon

- Display of the incline of the crane to the horizontal in longitudinal and lateral direction. The display is graphic as well as numeric.
- The directional data refers to the direction of the crane superstructure (view from the cab).

1.1 Graphic part

- The graphic display is in the form of a spirit level, with a moving dot representing the air bubble. The center of the dot shows the precise incline value.

1.2 Numeric part

1.2.1 Incline range

- This value describes the resolution of the graphic view. The resolution is matched automatically to the incline.

1.2.2 Lateral direction

- Incline of crane in lateral direction in [°]
- The double arrow shows the direction of the incline
- If the „larger than symbol“ appears, then the crane is inclined further than can be shown!

1.2.3 Longitudinal direction

- Incline of crane in longitudinal direction in [°]
- The arrow shows the direction of the incline
- If the „larger than symbol“ appears, then the crane is inclined further than can be shown!

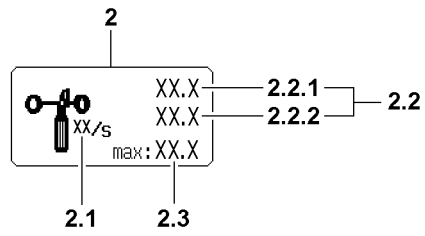


Fig.111265

6.4.3 Wind speed



WARNING

Wind speed too high!

If the maximum permissible wind speed is exceeded with erected boom system, there is a danger of accidents!

Dangerous situations can arise, such as oscillating load or shaking crane!

The crane can topple over, personnel can be severely injured or killed!

▶ **The crane movements will not be shut off!**

- ▶ The boom system must be taken down in time before exceeding the maximum permissible wind speed of the crane.
- ▶ The danger notes, see Crane operating instructions, chapter 2.04 must be strictly observed and adhered to!

2 „Wind speed“ icon

- The wind speeds are displayed in [m/sec.] or [ft/sec.] depending on the units of measurement shown in the load chart
- If a value starts to blink and the acoustic alarm „short horn“ sounds, then the maximum permissible wind speed of the crane is exceeded.

2.1 „Wind speed“ unit

- [m/s] or [ft/s]

2.2 Current wind speed

• **Note:**

If a wind sensor is connected, then the wind speed appears at **2.2.1**

If two wind sensors are connected (example: Crane operation with auxiliary boom / accessory), a second wind speed appears additionally at **2.2.2**

- **2.2.1** current wind speed WG1
- **2.2.2** current wind speed WG2



WARNING

Crane operation without display value of wind speed!

If the current wind speed **2.2** „???“ appears in the display, then a wind sensor which must be present is missing or there is an error in the wind sensor!

- ▶ Before starting to work with the crane, make sure that all wind sensors which must be present are present and functioning.
- ▶ Remedy the error immediately!
- ▶ If an error cannot be remedied, then it must be ensured that the wind speed is monitored otherwise!

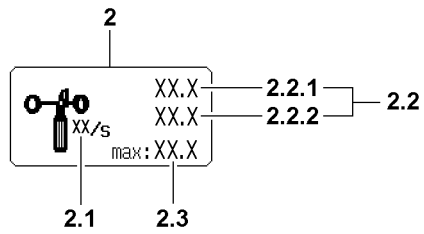


Fig.111265

**Note**

- ▶ If several wind sensors are connected, the installation location of the wind sensor determines the corresponding display in the icon „Wind speed“.
- ▶ The priority depends on the installation location of the wind sensor, from „outside“ (auxiliary boom / accessory) to „inside“ (main boom). The wind speed for the „outside“ wind sensor is shown independent from the „inside“ wind sensor.

2.3 Maximum permissible wind speed

- The value depends on the operating mode and the set up configuration
- If the current wind speed value exceeds the displayed maximum value, the maximum value starts to blink and the acoustic alarm „Short horn“ sounds!

**Note**

- ▶ If access to a load chart is not possible, then the maximum value starts to blink and the acoustic alarm „Short horn“ sounds!

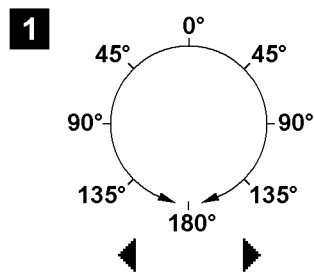
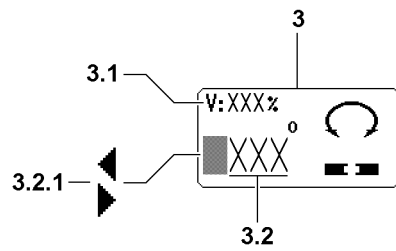


Fig.112352

6.4.4 Slewing range



DANGER

Danger of accidents in case of excessive slewing speed!

► Make the selection of the slewing speed according to the specifications in the load chart manual!

3 „Slewing range“ icon

3.1 Maximum slewing speed

- V: [%]
- Identifies the current (selected) „Maximum slewing speed“ of the slewing gear with a fully deflected master switch, relating to the maximum attainable slewing speed of the slewing gear.
This value may be selected in fixed percentage stages in the LICCON program Control parameter.

3.2 Current position of the crane superstructure

- In relation to the main working direction (0 [°]).
Increasing to the maximum value of 180°, see illustration 1.

3.2.1 Direction of deviation

- The arrow in front of the value indicates the direction of the deviation.
 - Arrow to the right: Crane superstructure is turned to the right.
 - Arrow to the left: Crane superstructure is turned to the left.

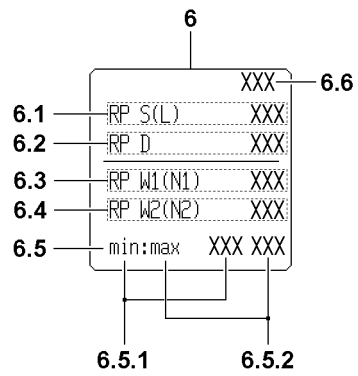


Fig.111897

6.4.5 Monitoring of relapse cylinders



Note

Display values pressure display!

- ▶ Pressure display = „0“, if these relapse cylinders are not present for the set operating mode!
- ▶ Pressure display = „??“, if the pressure sensor signal is erroneous! There is an error display with error number!

6 „Monitoring relapse cylinder“ icon

6.1 Pressure display RP S(L)

- Relapse cylinder S-, SL- or L-boom

6.2 Pressure display RP D

- Relapse cylinder Derrick boom

6.3 Pressure display RP W1(N)

- Pressure W1-relapse cylinder (=RP W1) at W-operation
- or**
- Pressure N1-relapse cylinder (=RP N1) at N-operation

6.4 Pressure display RP W2

- Pressure W2-relapse cylinder (=RP W2) at W-operation
- or**
- Pressure N2-relapse cylinder (=RP N2) at N-operation

6.5 Pressure limits

- Monitored pressure limits of relapse cylinders (W/N)
Minimum / maximum pressure for RP W1(N) and RP W2

6.5.1 Minimum pressure (W/N)

- If a pressure limit value is being exceeded, then this is shown by a blinking pressure actual value and an additional error message.
- This monitored minimum pressure is calculated from the angle of the main boom and the auxiliary boom / accessory. If one of the angles is invalid and is shown in the display with „??“, then no monitoring of the minimum pressure can occur.

6.5.2 Maximum pressure (W/N)

- If a pressure limit value is being exceeded, then this is shown by a blinking pressure actual value and an additional error message.

6.6 „Monitoring relapse cylinder“ measuring unit

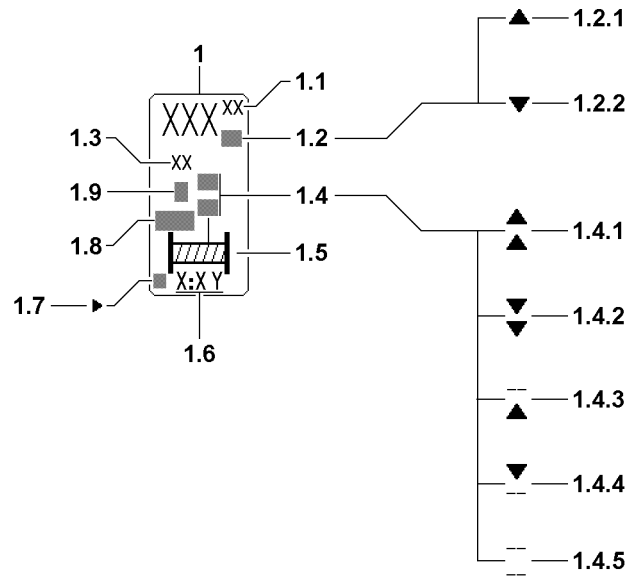


Fig.112353

6.5 Winch display

- 1 Winch icon
 - The winch 1 and winch 2 icons have the same meaning and are explained on one icon.
 - The icon for winch 1 or winch 2 is shown only on monitor 0, when the crane is equipped with the respective winch.
- 1.1 Completed path
 - In [m] or [ft]
From a zero point to be determined
 - For single operation with the reeving setting made in the Set up program: Completed hook path
 - For parallel operation with the set total reeving made in the set up program: Distance completed by hook block.
 - The positions before the decimal point are displayed with a maximum of three large digits. The digits after the decimal point are displayed with small digits. (Setting to zero point, see section „The function key line“).
 - A prerequisite for a correct display is that the reeving value entered equals the actual number of rope strands between the boom head and the hook block



Note

Display area winch displays!

- ▶ The „Completed path“ display **1.1** has only three positions before the comma, any positions before that are cut off! The crane operator must evaluate for himself if, for example 200 m rope are spooled up on a winch or 1200 m. **The display in both cases would be identical with 200 m !**
- ▶ The hook path calculation only works accurately if the load is suspended freely and is not luffed during the lifting procedure! Not taken into account are flexation and rope expansion!
- ▶ The length display (hook path display) is only accurate and the layer jump is only taken into account correctly if the winch has been calibrated and no interruptions of the CPU power supply have occurred (cold start)!

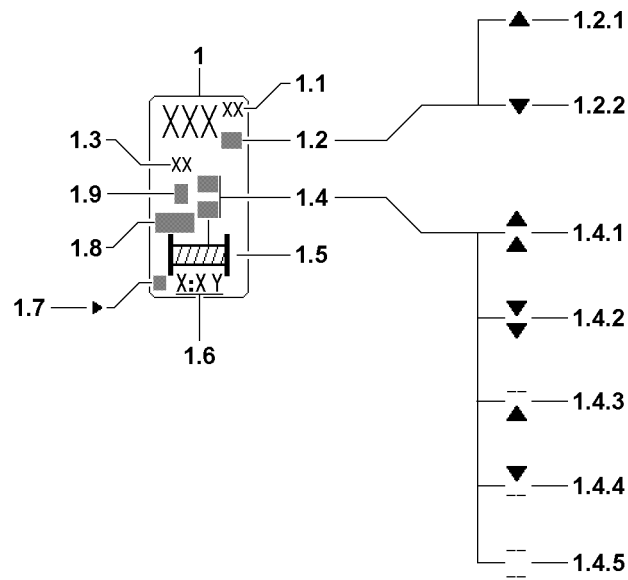


Fig.112353

1.2 Direction of hook movement

The arrows on the length value show the direction of the hook movement in relation to the zero point:

- Arrow up **1.2.1**: Hook moves upward from the zero point.
- Arrow down **1.2.2**: Hook moves downward from the zero point.

1.3 Measuring unit hook path display

1.4 Winch status display

- There are five winch status icons (all blinking):

1.4.1 Spool out

1.4.2 Spool up

1.4.3 Spooled out

- Spooling out is blocked

1.4.4 Spooled up

- Spooling up is blocked

1.4.5 Winch is deactivated or unplugged

- Spooling up and spooling out are blocked (via Control parameter program).

- **Note:**

If no winch status icon appears, the activated winch is inactive and is neither spooled up nor out!

1.5 Winch icon

- (With rope end for winch status icon)

1.6 Winch number with master switch number and master switch operating direction

- Example: 1 : 1 Y
 First digit: Winch number
 Second digit: Master switch number
 Letter: Master switch operating direction

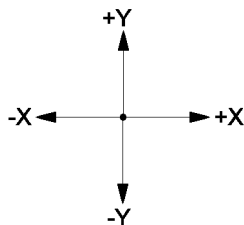


Fig.195422

1.7 Vibration sensor

- If the vibration sensor for a winch is added on the master switch, then an arrow appears in this winch icon for the added vibration sensor.

- **Note:**

The vibration sensor is added for the first actuated crane function!

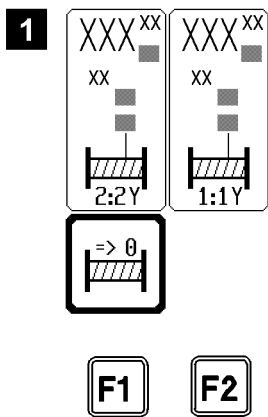
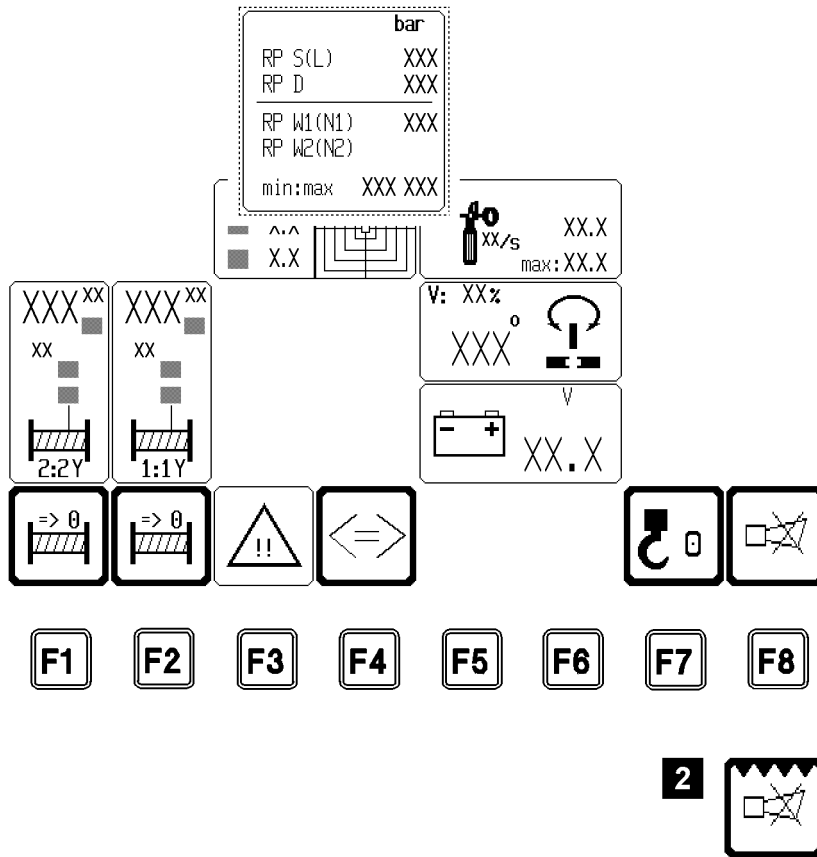


Fig.112364

6.6 The function key line in the Crane operation program

The function key line consists of function keys **F1** to **F8** and the function key icon bar above it. The function keys correspond to the various function key icons above them.

The function key icons may trigger a function or they change their appearance upon the push of a key (function keys) and thereby their definition.

Not all function keys have icons assigned to them. This depends on the „active“ program selection.

Pressing a function key changes the appearance of the icon above, its meaning, or its textual content.

F1 Function key

- Zero point for hook path display, winch 2
- Pressing the function key **F1** causes the „Set winch display to zero“ icon to appear, i.e. the winch 2 hook path display in the winch icon above is set to „000.00“ when the key is pressed. The path measurement begins here.

F2 Function key

- Zero point for hook path display, winch 1
- Pressing the function key **F2** causes the „Set winch display to zero“ icon to appear, i.e. the winch 1 hook path display in the winch icon above is set to „000.00“ when the key is pressed. The path measurement begins here.
- **Note:**
When winch 1 and winch 2 work in parallel operation, then the lengths displays of winch 1 and winch 2 can only be set together with the function key **F1** to „000.00“! Then the function key **F2** has no function, see illustration 1!

F3 Function key

- Turn monitoring icons on / off
- The function key **F3** can be used to turn all the monitored auxiliary functions in the crane on or off.
- The appearance of the icon changes according to the status:
„Thick border“ = auxiliary function icons turned off
„Thin border“ = auxiliary function icons turned on
- **Note:**

F4 Function key

- Change monitoring page (if present)
see also section „Monitored auxiliary functions for crane operation“



Note

- ▶ The monitoring of all auxiliary functions is always active, even if the monitoring icons are hidden!
- ▶ When a monitored limit is exceeded, then an acoustic warning (horn) sounds and the respective icon is shown!

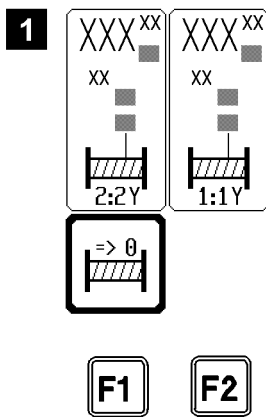
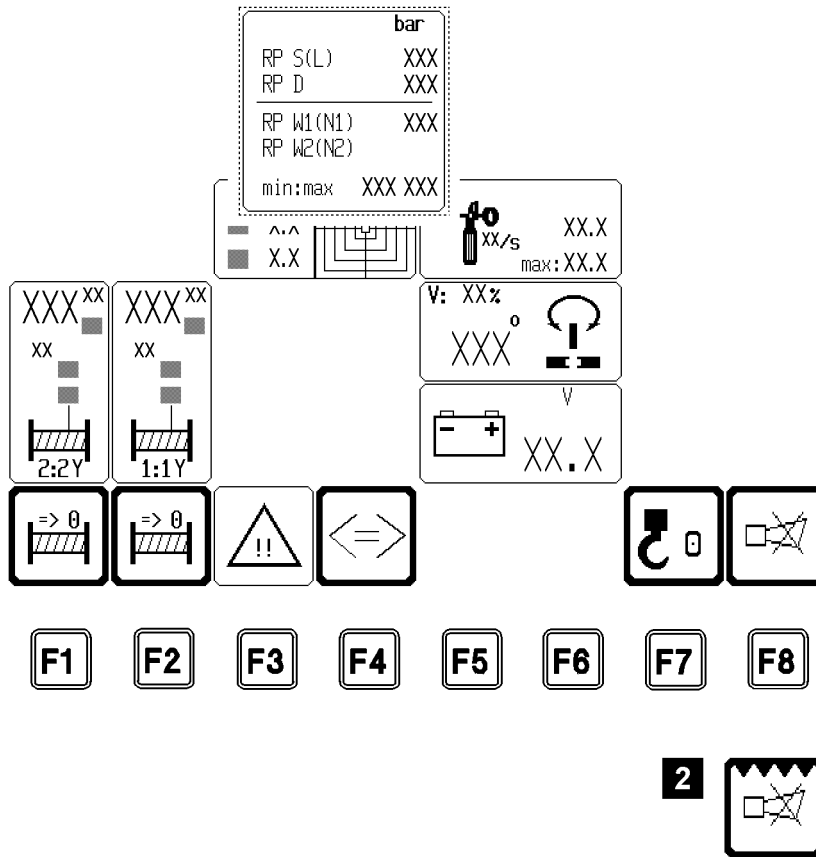


Fig.112364

- F5** Function key
- Not assigned
- F6** Function key
- Not assigned
- F7** Function key
- Taring
 - When the function key **F7** is pressed, the actual load display is set to „zero“. At the same time, the word „net“ appears in the icon of the actual load display. This function, for example, makes it possible to eliminate the weights of the hoist rope, load carriers, lifting and fastening equipment and only display the weight of the load that must be lifted (net load).
If the taring is cancelled, the word „net“ disappears from the icon „Actual load display“ and the gross load value is displayed.
 - Tare is cancelled by one of the following two actions:
 1. Pressing the function key **F7** again.
 2. By luffing by more than $\pm 4^\circ$.
 - **Note:**
The function key **F7** acts the same way to the actual load display of the boom nose, if the boom nose is installed!
- F8** Function key
- Turn off the acoustic warning
The „Horn“ and „Short horn“ acoustic warnings can be turned off by pressing the function key **F8**.
 - **Note:**
A new error turns the acoustic warning on again!



WARNING

Malfunctions in the crane control!

A special program is available for LIEBHERR crane acceptance in the LICCON computer system!

This program is blocked after conclusion of the crane acceptance!

If an additional marking is displayed in the „Horn“ icon (talons along the upper margin, see illustration 2), then the special program is activated!

- ▶ Contact LIEBHERR Service immediately!
 - ▶ In order to prevent error functions, access to the special program is only permitted for trained LIEBHERR personnel!
-

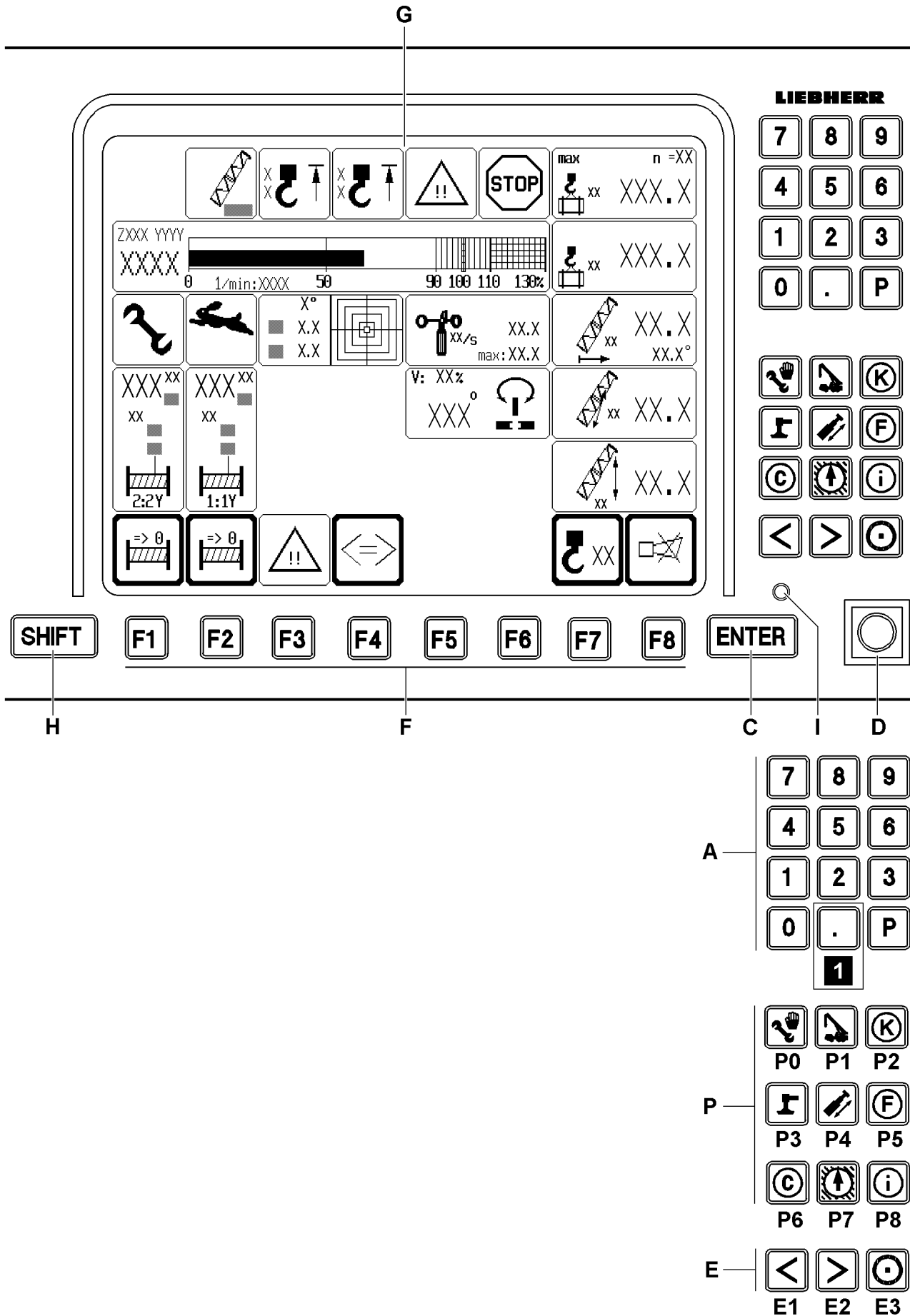


Fig.112354

6.7 Other operating elements

The following functions are assigned to the other operating elements of the display and operating unit of the LICCON computer system in the crane operation program.

A Keypad

- Keys „0“ to „9“ and „P“ have no function in the Crane operation program

- Key „.“, illustration 1

With the key „.“ the so-called test screen function is turned on and off. All existing icons appear with a test value on the LICCON monitor.

- **Note:**

The monitored auxiliary functions must be opened in the desired page to appear in the test screen!

The test screen display can be held by pressing the SHIFT key **H** and the key „.“!

By pressing the key „.“ again, the normal crane operating screen appears again!

If the test screen is not held, then the normal crane operating screen appears after 10 seconds!

P Program keys

- The program keys are used to select individual programs. However, the appropriate program-specific features (for example, switching from set up to crane operation once with „O.K.“) must be noted.

- **Note:**

A program currently running **cannot** be called again using its program key!

The programs can only be called up with their program key when the set up key was not actuated before!

C Input key ENTER

- No function in crane operation program

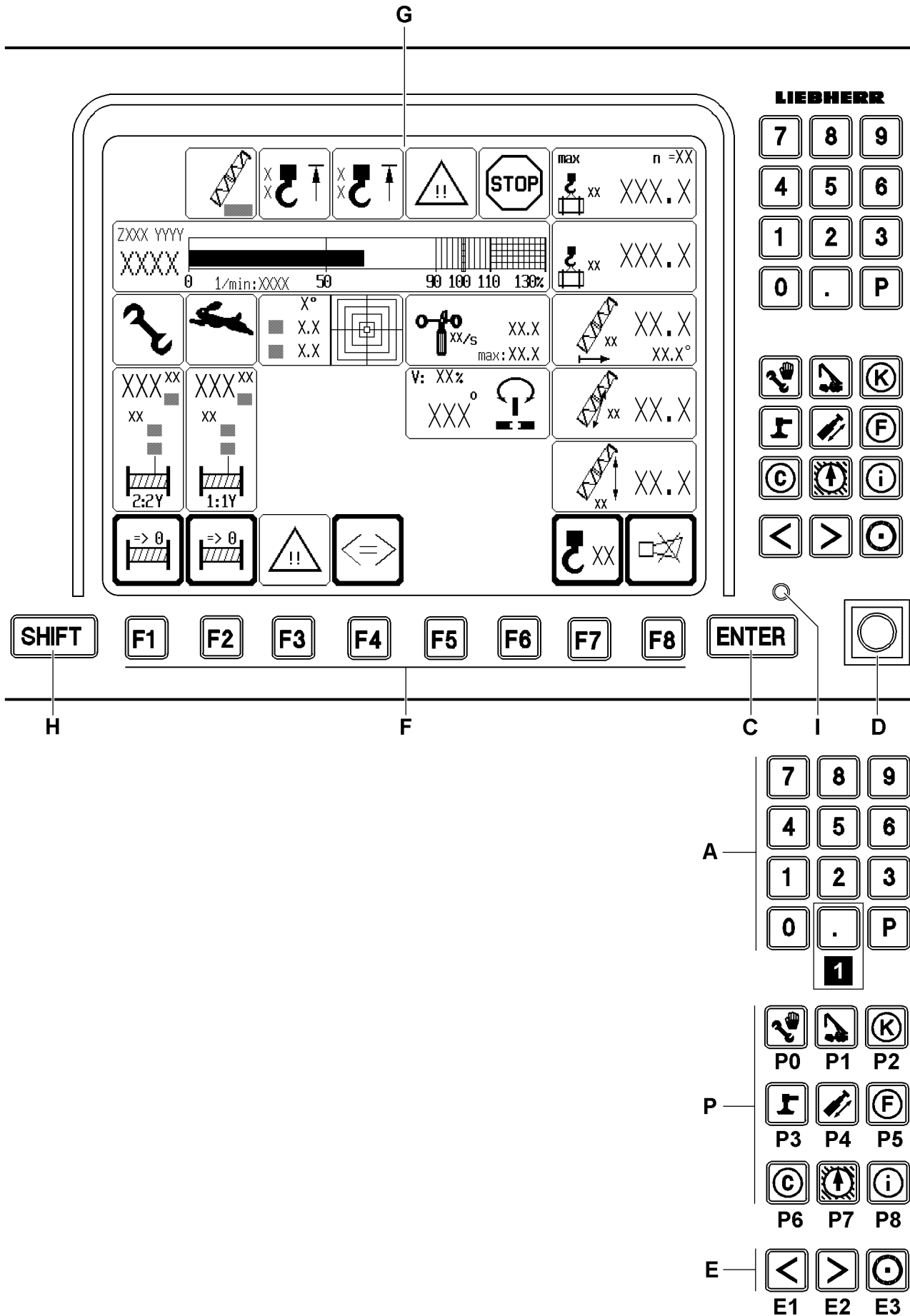


Fig.112354

LWE/LR 11350-005/19004-04-02/en

D Set up key

- Zero position (not actuated):
Normal operation
- Touching:
Function „Exceedance of shut off limits of the LICCON overload protection“ released.
- **Exceeding the shut off limits of the LICCON overload protection!**
If the shut off limits of the LICCON overload protection are exceeded, the LICCON overload protection shuts the crane movements off!
These shut offs can be exceeded by the set up key **D** in the „Right touching“ position!
To do so, chapter 4.20 in the Crane operating instructions must be observed!

**Note**

Double function set up key!

If the crane has **no** CE-mark, when actuating the set up key **D**, the release for the „Emergency operation LICCON overload protection“ is automatically engaged!

- ▶ Take into account, when actuating the set up key **D**, that the „Emergency operation LICCON overload protection“ is automatically released!
-

**Note**

Carry out the erection / take down procedures!

- ▶ By actuating the set up key **D**, all erection / take down procedures can be carried out within the erection / take down charts, for which no load charts are available!
-

- **Bypass of the hoist top shut off**

If the hook block contacts the hoist limit switch weight during its upward movement, the hoist limit switch is triggered. The crane movement „spool up winches“ and others are turned off. This shut off can be bypassed by the set up key **D** in the „right touching“ position. To do so, chapter 4.20 in the Crane operating instructions must be observed!

E Special function keys

- Monitor brightness adjustment
 - Key combination **E3** and **E1**: Turn background illumination on / off
 - Key combination **E3** and **E2**: Brightness adjustment in three stages
-

**Note**

- ▶ Additional functions of the special function keys **E** are program-dependent and are further explained in the description of the individual LICCON programs!
-

H SHIFT key

- Second level key assignment

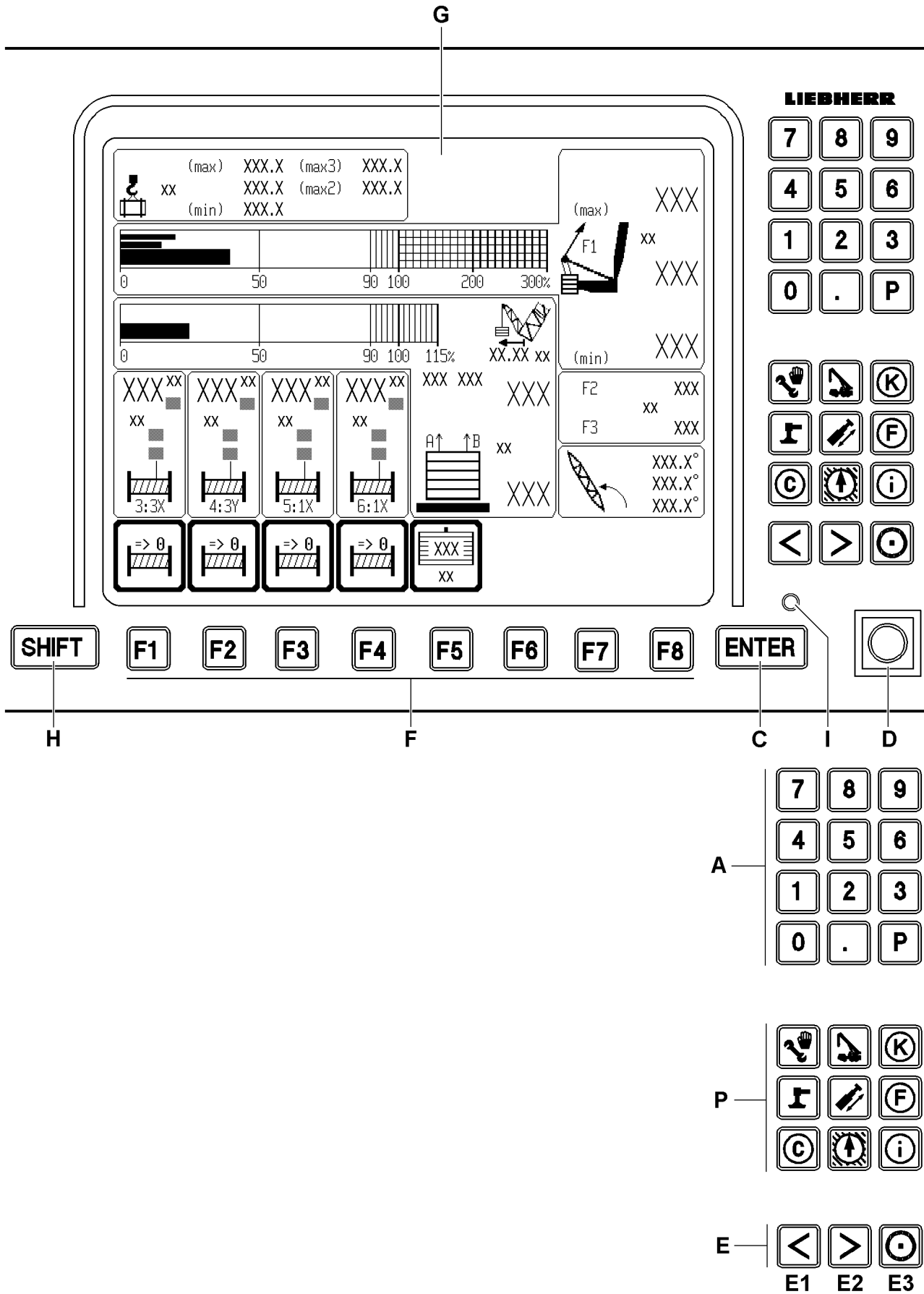


Fig.112941

7 Operating elements of the LICCON computer system on monitor 1

- A** Keypad
 - For input of derrick ballast value
- P** Program keys
 - No function
- C** Input key ENTER
 - Confirmation of changes
- D** Key button
 - Acoustic signals which can be shut off of bell / horn turntable can be shut off
- E** Special function keys
 - Monitor brightness adjustment
 - Key combination **E3** and **E1**: Turn background illumination on / off
 - Key combination **E3** and **E2**: Brightness adjustment in three stages



Note

- Additional functions of the special function keys **E** are program-dependent and are further explained in the description of the individual LICCON programs!
-

- F** Function keys
 - The function keys should always be viewed in conjunction with the function key icon line displayed on the monitor.
- G** Display
 - In the display appears „normally“ the crane operating screen of monitor 1.
- H** SHIFT key
 - No function
- I** LED display
 - Monitor supply voltage present

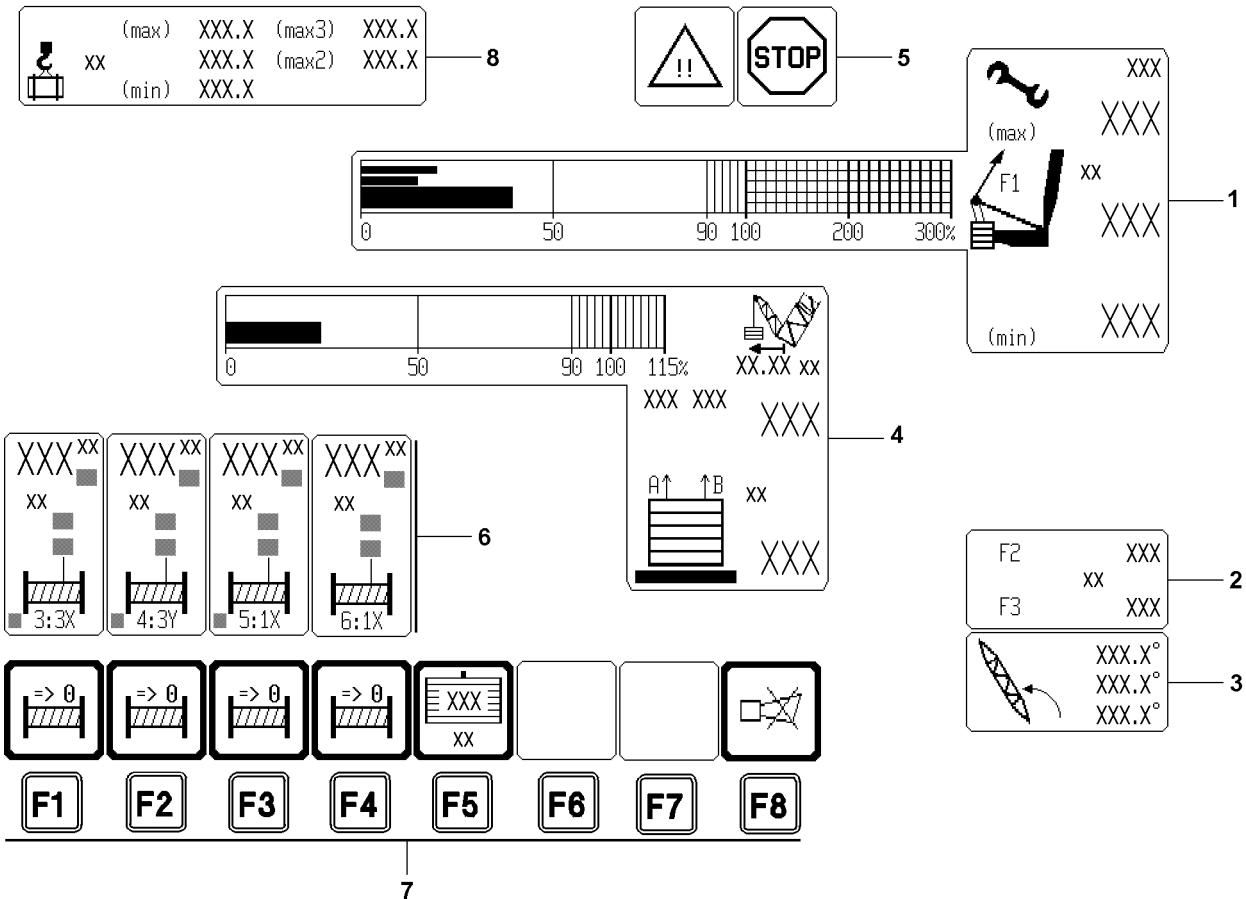
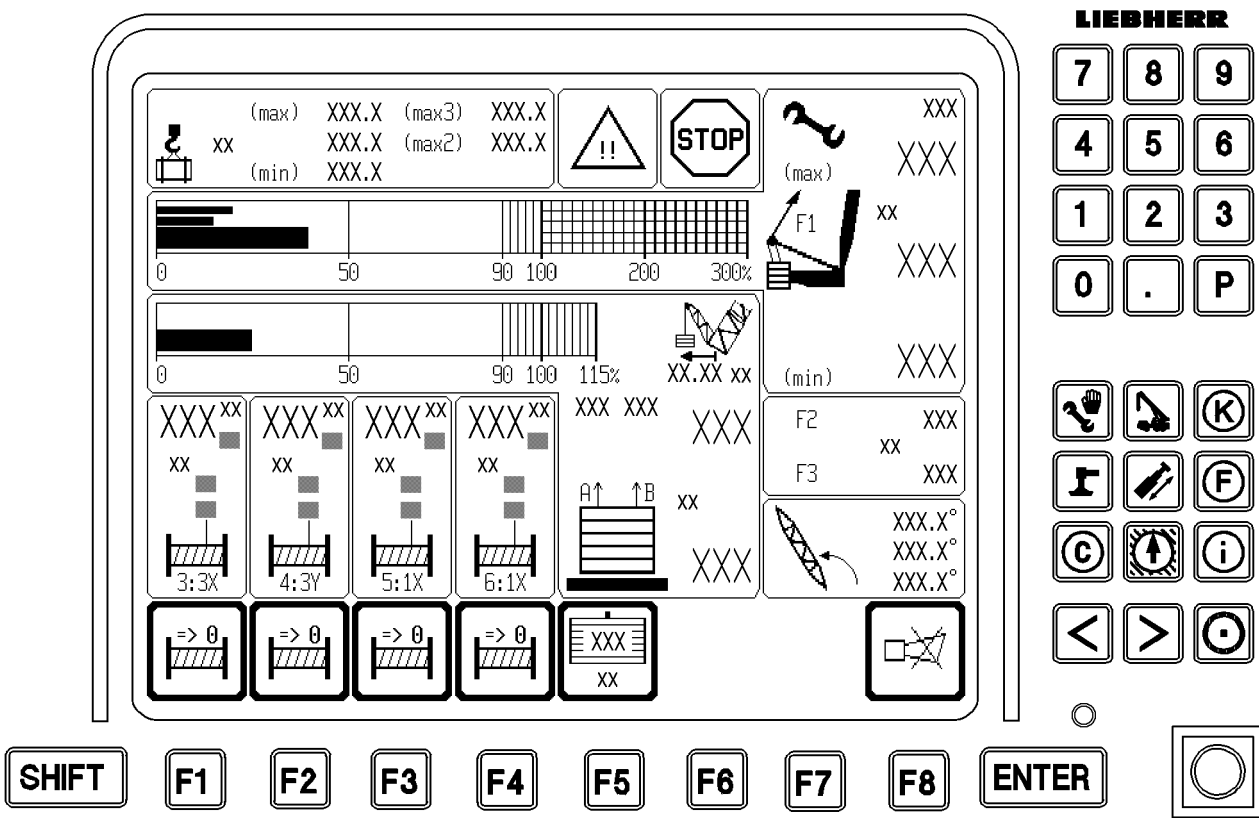


Fig.112942

LWE/LR 11350-005/19004-04-02/en

8 The crane operation program on monitor 1



Note

- ▶ The suspended ballast and the ballast trailer* are generally described as **derrick ballast!**
- ▶ The fixed compensation weight which is assembled on the turntable is generally described as the **counterweight!**

In the crane operation program on monitor 1, the monitor is divided into eight areas:

- 1 Test point 1 = F1
 - F1-load display
 - Pull test brackets on test points 1A and 1B in the SA-frame guying
- 2 Test points 2/3 = F2/F3
 - Pull test brackets on test points 2A and 2B in the N/W guying
 - Pull test brackets on test points 3A and 3B in the S-guying in derrick operation
- 3 Derrick boom angle
- 4 Derrick ballast, weight and utilization
 - Derrick ballast, placed and pulled
 - Derrick ballast radius
 - Derrick ballast utilization
- 5 Alarm functions
 - „Advance warning“ and „**STOP**“ icons
- 6 Winch displays
 - Winch 3*
 - Winch 4
 - Winch 5*
 - Winch 6*
- 7 Function key line
 - Function keys always refer to the icon shown directly above
 - **Note:**
If no icon is shown in the line directly above the function key, then no function is assigned in the program to the function key!
See for example function key F6 and function key F7!
- 8 Load min / max

8.1 Test point 1 = F1



DANGER

Overload of crane in assembly operation!

If the crane is utilized in assembly operation past the assembly limit, then crane components can be overloaded!

The crane can topple over and personnel can be severely injured or killed!

- ▶ In assembly operation, the crane operator must make sure that the crane is not subjected to loads to the assembly limit!
- ▶ The crane may always only be erected / taken down **without load**, according to the data in the operating instructions and the erection and take down charts!

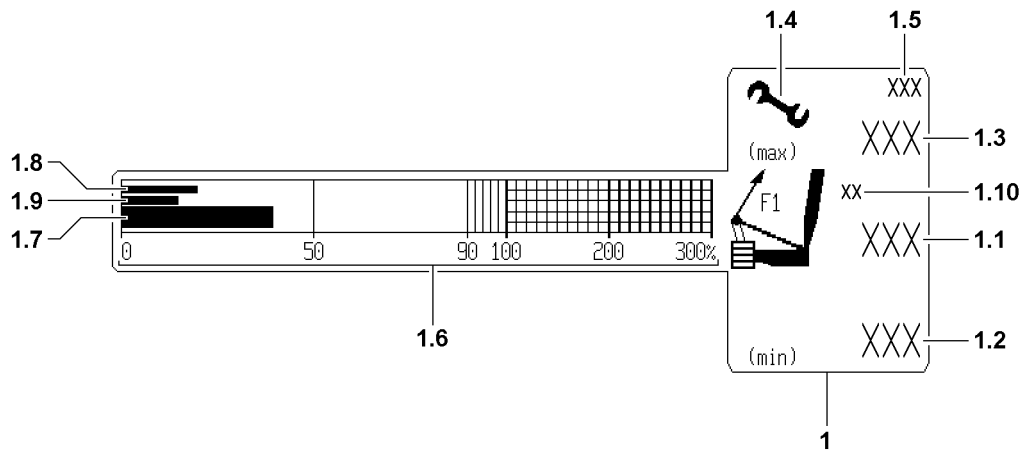


Fig.111912

8.1.1 F1-assembly maximum force

The F1-assembly-maximum force is abbreviated in the chapter as $F1_{\text{max-assembly}}$.



Note

- ▶ A load chart is available in the operating range of the crane! Outside of the operating range, no load chart is available, the specifications for assembly operation apply!
- ▶ $F1_{\text{max-assembly}} 1.5$ can be larger within the operating range for static reasons than $F1_{\text{max-assembly}} 1.5$ outside the operating range!
- ▶ When luffing out of the operating range with load chart, the value $F1_{\text{max-assembly}} 1.5$ can therefore be significantly reduced!



DANGER

Failure of angle sensor!

If angle sensor on the boom for the LMB are defective, then the LMB uses the highest permissible $F1_{\text{max-assembly}} 1.5$ as the non-bypassable maximum value!

This ensures that the boom can always be taken down, even with a defective angle sensor!

If the crane is not taken down after a failure of the angle sensors exactly according to the data in the operating instructions and the erection / take down charts, then it can be overloaded!

The crane can topple over and personnel can be severely injured or killed!

- ▶ Take the crane down if needed exactly according to the data in the operating instructions and the erection / take down charts!

Operating modes without derrick boom

For operating modes without derrick boom, there is a unbypassable F1-limit value:

- $1.5 F1_{\text{max-assembly}}$
as upper limit for erection / take down of the boom
and
for crane operation with load chart

Operating modes with derrick boom

For operating modes with derrick boom there are two F1-limit values

- $F1_{\text{max-assembly}} 1.5$ outside the operating range
For erection and assembly of the crane (non-bypassable)
- $1.3 F1_{\text{max-operation}}$
As upper limit for crane operation with load chart (and a few angle degrees next to it)

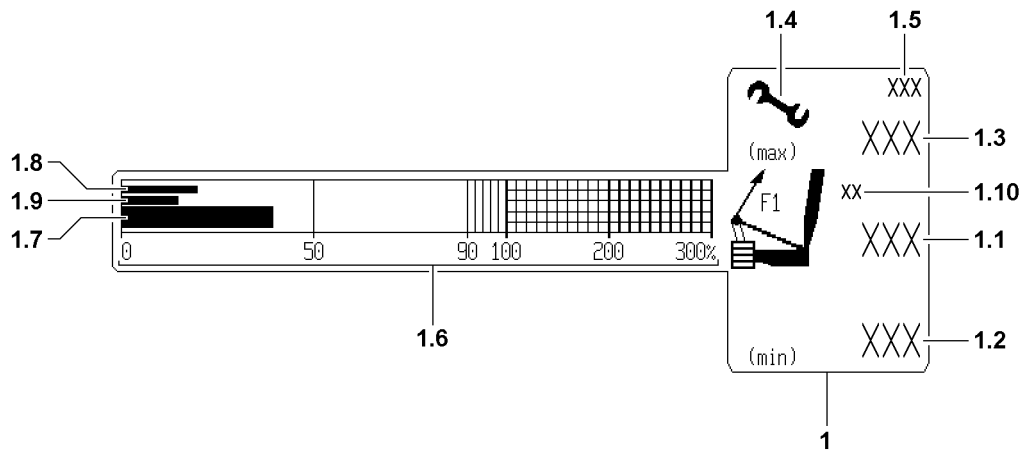


Fig.111912

8.1.2 Test point 1 = F1 / icon description

Pull test brackets Test point 1A and 1B are in the SA-frame guying

Position	Icons / display values	Type of display	Is shown
1	Icon „Test point 1“	Static	Always
1.1	F1-actual force = $F1_{actual}$ $F1_{actual} = F1A_{actual} + F1B_{actual}$ $F1A_{actual} = F1$ -actual force test point 1A (SA-frame left) $F1B_{actual} = F1$ -actual force test point 1B (SA-frame right)	Static „???“ blinking	For valid value For invalid value
1.2	F1-minimum force = $F1_{min}$	Static	Always when $F1_{min}$ is larger than 0 Note: A shut off occurs when falling below $F1_{min}$ If no value is shown $F1_{min} = 0!$
1.3	F1-operational maximum force = $F1_{max-operation}$	Static	Only in operating modes with derrick ballast (DB/DBW) Note: $F1_{max-operation}$ is the maximum value which may be reached in crane operation! In crane operation, the shut off occurs at $F1_{actual}$ larger than $F1_{max-operation} + F1_{addition}$ for shut off For cranes with maximum load carrying capacity of more than 1000 t applies $F1_{addition}$ for shut off = 40 t



Note

Shut off $F1_{min}$

- ▶ If the utilization of the derrick ballast is below 50 %, then there is no immediate shut off when falling below $F1_{min}$ **1.2!**
- ▶ The acoustical and optical warnings remain unaffected by the utilization of the derrick ballast!

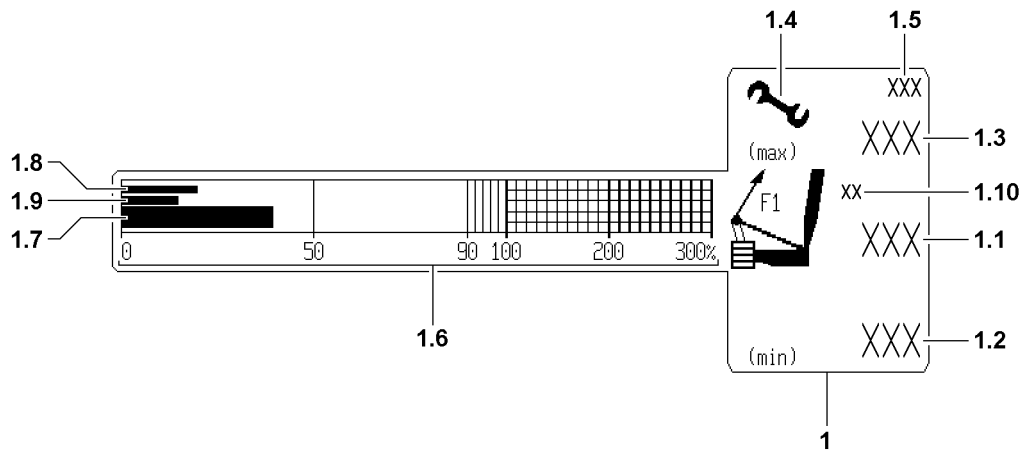


Fig.111912

Position	Icons / display values	Type of display	Is shown
1.4	Assembly icon	Static / blinking	In „Assembly operation: Boom not in operating range“ and / or Advance warning / shut off: Observe F1 limit values!
1.5	F1-assembly maximum force = $F1_{\text{max-assembly}}$	Static / blinking	In „Assembly operation: Boom not in operating range“ and / or Advance warning / shut off: Observe F1 limit values! Note: Appears if $F1_{\text{actual}}$ is larger than 90 % of $F1_{\text{max-assembly}}$
1.6	F1-utilization scale in percent [%]	Static	Always
1.7	F1-utilization bar = Ratio $F1_{\text{actual}}$ to $F1_{\text{max-operation}}$ No display (0 percent) at: $F1_{\text{max-operation}} = 0$ or No value or $F1_{\text{min}} = \text{invalid}$	Dynamic	In operating modes with derrick ballast (DB/DBW)

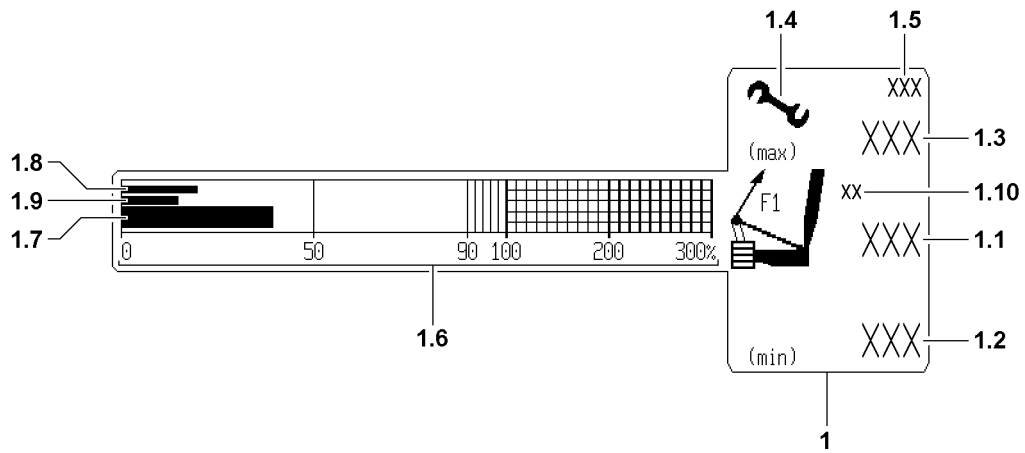


Fig.111912

Position	Icons / display values	Type of display	Is shown
1.8	<p>F1-Min-warning bar =</p> <p>Ratio $F1_{\text{min-warning value}}$ to $F1_{\text{max-operation}}$</p> <p>($F1_{\text{min-Warning value}} =$ $F1_{\text{min}} + \Delta_{F1}$)</p> <p>No display (0 percent) at:</p> <p>$F1_{\text{max-operation}} = 0$</p> <p>or</p> <p>No value</p> <p>or</p> <p>$F1_{\text{max-operation}} = \text{invalid}$</p>	Dynamic	<p>In operating modes with derrick ballast (DB/DBW)</p> <p>$\Delta_{F1} = 30 \text{ t}$ for cranes with max. load capacity of $\geq 1000 \text{ t}$</p>
1.9	<p>F1-Min-Stop bar =</p> <p>Ratio $F1_{\text{min}}$ to $F1_{\text{max-operation}}$</p> <p>0 percent [%] for:</p> <p>$F1_{\text{max-operation}} = 0$</p> <p>or</p> <p>No value</p> <p>or</p> <p>$F1_{\text{max-operationb}} = \text{invalid}$</p>	Dynamic	In operating modes with derrick ballast (DB/DBW)
1.10	Measuring unit icon	Static	Always

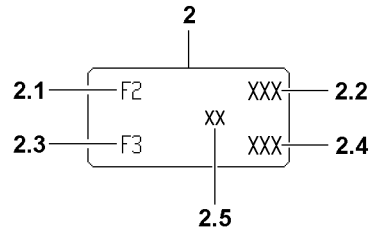


Fig.111913

8.2 Test point 2 = F2 and test point 3 = F3

Pull test brackets test point 2A and 2B are in the N/W-guying

Pull test brackets test point 3A and 3B are in the guying derrick boom / main boom on the main boom head

Position	Icons / display values	Type of display	Is shown
2	Icon for N/W-guy force and main boom guy force in derrick operation	Static	In operating modes with auxiliary boom / accessory and / or derrick boom
2.1	Icon F2 for N/W-guy force test point 2	Static	In operating modes with auxiliary boom / accessory
2.2	$F2_{\text{actual}} = F2_{\text{actual}}$	Static	In operating modes with auxiliary boom / accessory and valid F2-value
	$F2_{\text{actual}} = F2A_{\text{actual}} + F2B_{\text{actual}}$ Test point 2A = left Test point 2B = right	„???“ blinking	In operating modes with auxiliary boom / accessory and invalid F2-value
2.3	Icon F3 for main boom guy force test point 3	Static	In operating modes with derrick boom
2.4	$F3_{\text{actual}} = F3_{\text{actual}}$	Static	In operating modes with derrick boom and valid F3-value
	$F3_{\text{actual}} = F3A_{\text{actual}} + F3B_{\text{actual}}$ Test point 3A = left Test point 3B = right	„???“ blinking	In operating modes with derrick boom and invalid F3-value
2.5	Measuring unit icon	Static	Always

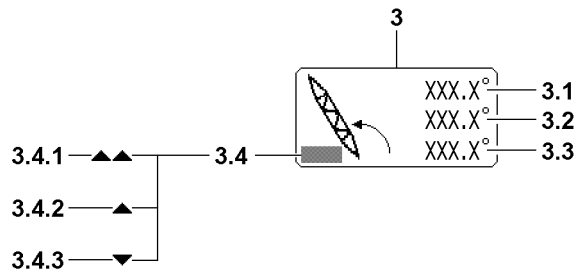


Fig.111914

8.3 Derrick boom angle

Position	Icons / display values	Type of display	Is shown
3	Derrick boom angle icon	Static	In operating modes with derrick boom
3.1	Maximum derrick boom angle in crane operation = angle-D _{max} in [°]	Static	In operating modes with derrick boom and angle-D _{current} smaller or same as angle-D _{max}
		Blinking	In operating modes with derrick boom and angle-D _{current} larger than angle-D _{max}
3.2	Current derrick boom angle = angle-D _{current} in [°]	Static	In operating modes with derrick boom and valid value
		„???“ blinking	In operating modes with derrick boom and invalid value
3.3	Minimum derrick boom angle during crane operation = angle-D _{min} in [°]	Static	In operating modes with derrick boom and angle-D _{current} larger or same as angle-D _{min}
		Blinking	In operating modes with derrick boom and angle-D _{current} smaller than angle-D _{min}
3.4	Alarm functions derrick boom		Limitation / monitoring of relapse cylinders Note: As an icon appears, an error message is issued!
3.4.1	Two arrows pointing up	Static	Relapse cylinder on block (limit switch actuated) or sensor / limit switch defective
3.4.2	Arrow pointing up	Static	In angle-D _{current} larger than angle-D _{max}
3.4.3	Arrow pointing down	Static	In angle-D _{current} smaller than angle-D _{min}

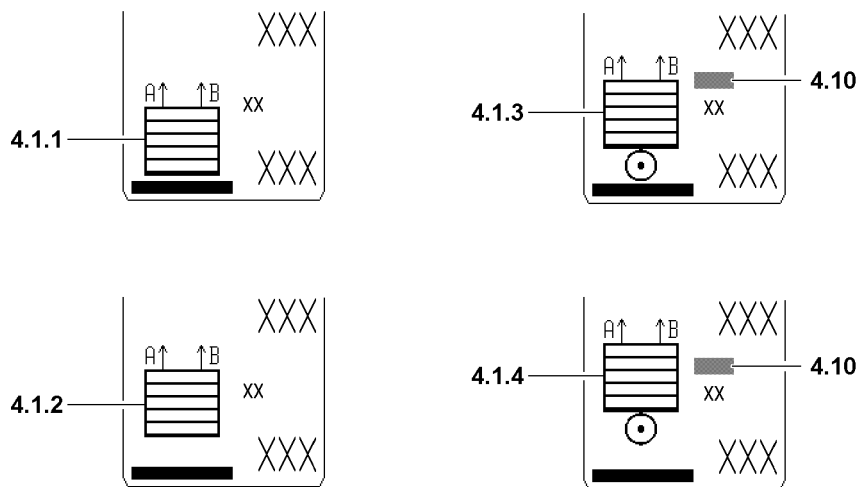
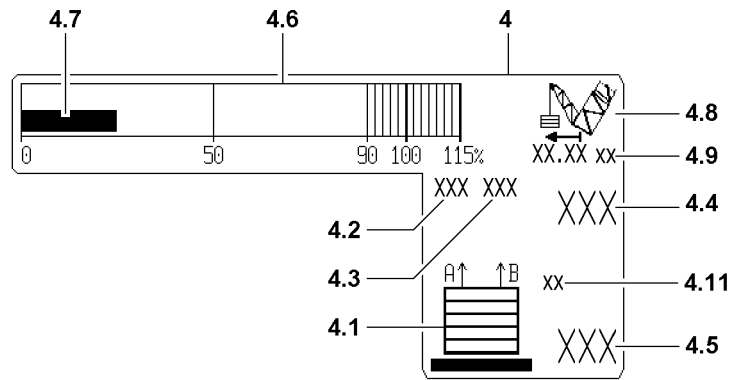


Fig.112943

8.4 Derrick ballast, weight and utilization

Test points derrick ballast guying A are:

- Test point 4A = pressure sensor ring surface left F4A
- Test point 5A = pressure sensor piston surface left F5A

Test points derrick ballast guying B are:

- Test point 4B = pressure sensor ring surface right F4B
- Test point 5B = pressure sensor piston surface right F5B

Position	Icons / display values	Type of display	Is shown
4	„Derrick ballast, weight and utilization“ icon	Static	In operating modes with derrick ballast
4.1	„Derrick ballast“ icon	Static	In operating modes with derrick ballast, depending on the type and the condition of the derrick ballast (see 4.1.1 - 4.1.4)



Note

- ▶ The view of the „derrick ballast“ **4.1** icon changes depending on if the derrick ballast is set up as a suspended ballast or as a ballast trailer!
- ▶ During crane operation observe the respective chapters for suspended ballast or ballast trailer in the Crane operating instructions!

Position	Icons / display values	Type of display	Is shown
4.1.1	„Suspended ballast on the ground“ icon	Static	Ground contact sensor reports „Suspended ballast not suspended “
4.1.2	„Suspended ballast suspended“ icon	Static	Ground contact sensor reports „Suspended ballast suspended “
4.1.3	„Ballast trailer on the ground“ icon	Static	Key button ballast trailer in position „Ballast trailer not suspended “
4.1.4	„Ballast trailer suspended“ icon	Static	Key button ballast trailer in position „Ballast trailer suspended “

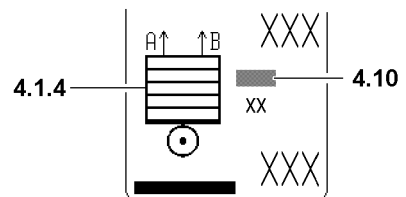
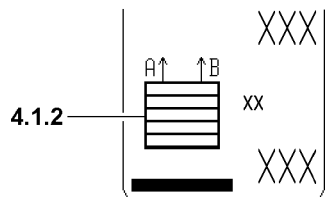
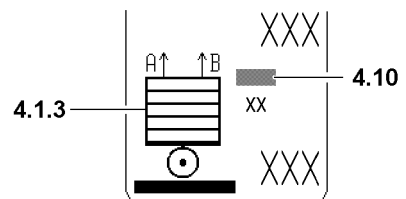
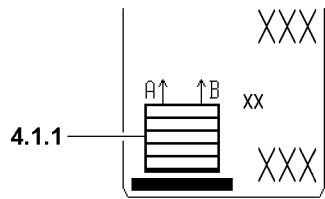
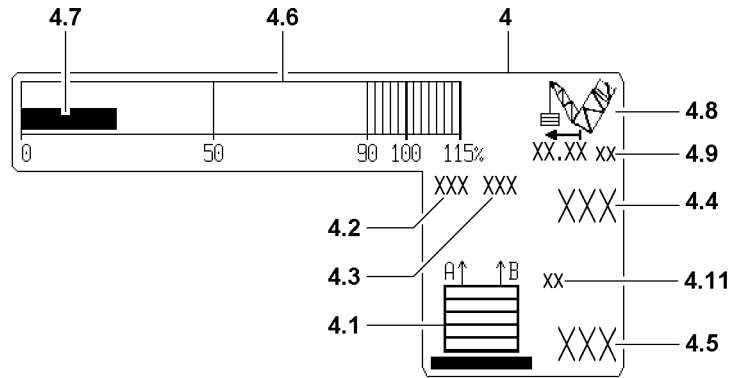


Fig.112943

Position	Icons / display values	Type of display	Is shown
4.2	Force Derrick ballast guying A (left) Test point 4A Test point 5A	Static	„Values test points“ valid
		Blinking	„Values test points“ valid and Difference between guy force A and B is larger than permissible
		„???“ Blinking	At least one „Value test point“ invalid
4.3	Force Derrick ballast guying B (left) Test point 4B Test point 5B	Static	„Values test points“ valid
		Blinking	„Values test points“ valid and Difference between guy force A and B is larger than permissible
		„???“ Blinking	At least one „Value test point“ invalid

**Note**

Failure of pressure sensor!

- ▶ If only one pressure sensor fails, for example F5A (test point 5A) invalid, then the LICCON computer system assumes F5A = F5B in the interim! An error message is issued!
- ▶ The error must be remedied immediately!

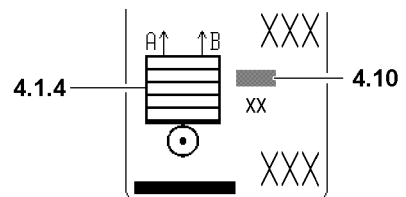
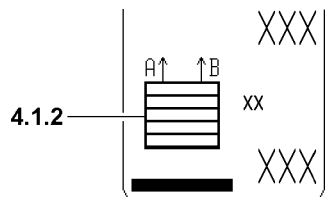
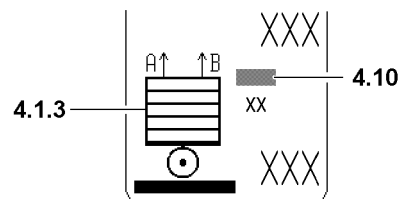
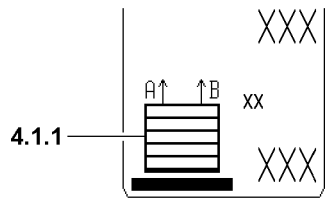
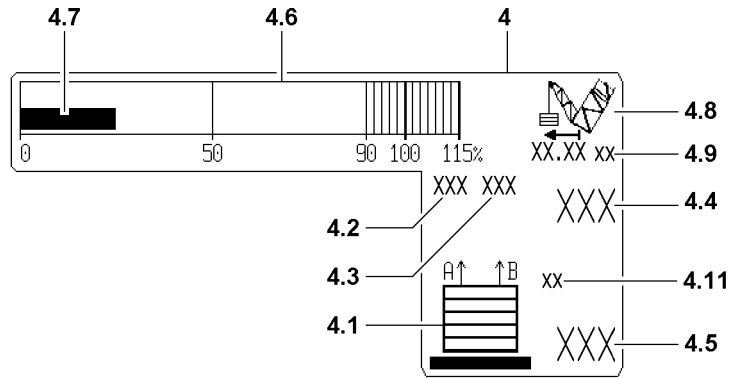


Fig.112943

Position	Icons / display values	Type of display	Is shown
4.4	Pulled derrick ballast = BA_{pulled} = vertical force components in derrick ballast guying, calculated from test points 4A, 4B, 5A and 5B Note: The sum of forces in the derrick ballast guying A and B is larger or the same as the pulled derrick ballast (BA_{pulled})!	Static	If value BA_{pulled} valid
		„???“ Blinking	If value BA_{pulled} invalid or Operating mode with BW and derrick ballast radius invalid
4.5	Placed derrick ballast = BA_{placed} Note: This value has been entered by hand and confirmed with the ENTER key! The value is saved when turning off and is valid again after turning on until it is changed with the function key „ F5 “!	Static	If value BA_{placed} permissible
		Blinking	If value BA_{placed} questionable
		„???“ blinking	If value BA_{placed} invalid

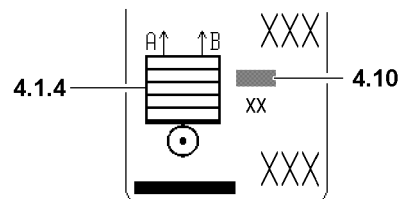
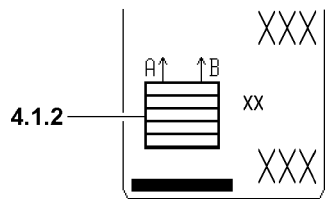
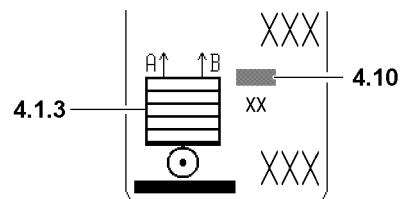
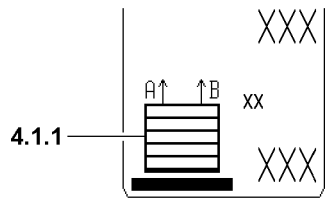
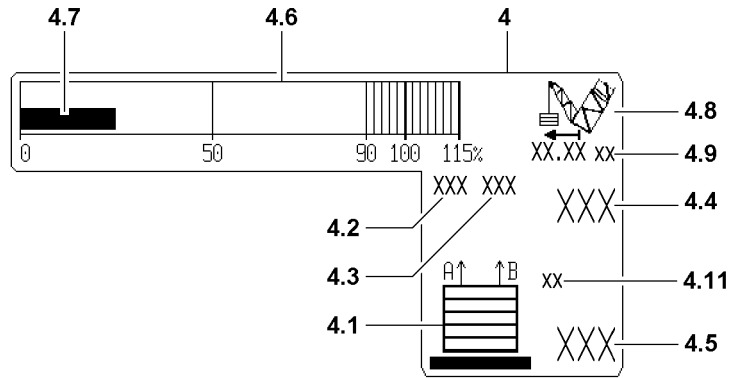


Fig.112943

Position	Icons / display values	Type of display	Is shown
4.6	Ballast utilization scale	Static	Always
4.7	Derrick ballast utilization bar = Ratio BA_{pulled} to BA_{placed} in percent Derrick ballast utilization bar is 0 at: BA_{placed} smaller than BA_{placed_min} or BA_{pulled} = invalid	Dynamic	In operating modes with derrick ballast Note: The utilization bar can show max. 115 %!
4.8	„Derrick ballast radius“ icon	Static	In operating modes with derrick ballast
4.9	Display of derrick ballast radius with measuring unit	Static	When value derrick ballast radius valid
		„???“ blinking	When value derrick ballast radius invalid
4.10	Alarm functions ballast trailer	If actuated	Note: See section „Alarm functions ballast trailer“.
4.11	Measuring unit Derrick ballast weight	Static	Always

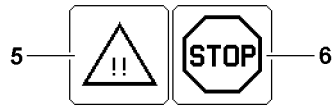


Fig.112317

8.5 Alarm functions

8.5.1 Alarm functions General

NOTICE

Triggered alarm function!

If an alarm function is triggered (for example a advance warning occurrence or LMB Stop), the cause must be determined!

- ▶ Always pay attention to triggered alarm functions!
- ▶ Alarm functions can flash over the monitor!



Note

Shut off delay LMB stop!

- ▶ A LMB stop with shut off delay remains for a certain period of time! Possible fluctuating movements of the crane can be thereby minimized!

Position	Icons / display values	Type of display	Is shown
5	„Advance warning“ icon	Blinking	If an advance warning occurs, for example: $F1_{\text{min-advance warning}}$ $F1_{\text{actual}}$ smaller than $F1_{\text{min-warning value}}$
6	„STOP“ icon	Blinking	If an LMB stop occurrence results, for example: At $F1_{\text{min-stop}}$ ($F1_{\text{is}}$ smaller than $F1_{\text{min}}$) with shut off delay 3 s or At $F1_{\text{max-operation stop}}$ ($F1$ larger or same as $F1_{\text{max-operation shut off value}}$) with shut off delay three seconds or $F1_{\text{max-assembly-stop}}$ ($F1_{\text{is}}$ larger or same as $F1_{\text{max-assembly}}$) with shut off delay three seconds Note: $F1_{\text{max-operation shut off value}} = F1_{\text{max-operation}} + F1_{\text{addition for shut off}}$

LWE/LR 11350-005/19004-04-02/en

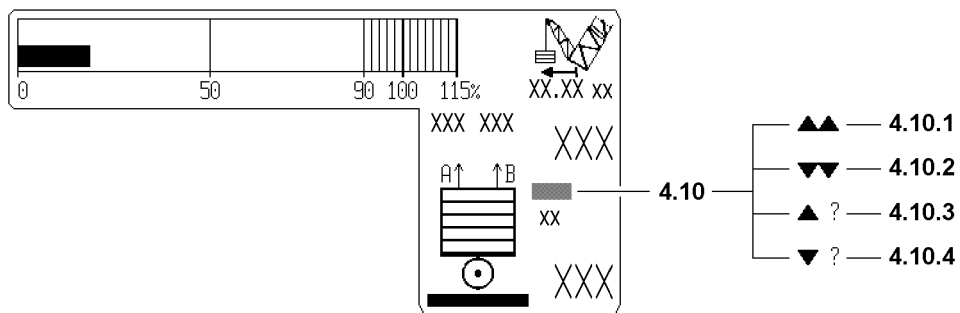


Fig.112944

8.5.2 Alarm functions ballast trailer

4.10 Limit signs ballast trailer



Note

- ▶ The **limit signs ballast trailer 4.10** are displayed exclusively for ballast trailer operation, to the extent that a corresponding event applies!
- ▶ The level difference between the placement surface of the crane and the ballast trailer is limited both upward and downward. In order to avoid damages to the crane or ballast trailer, the upper and lower stop positions are monitored by limit switches. If one of the stop positions is reached, the corresponding limit signs „ballast trailer block position“ on LICCON monitor 1. Movements on the crane or on the ballast trailer described below are turned off!

4.10.1 Two arrows pointing up

- display the **shut off** of movements.
 - Driving the crawler
 - Turning the turntable
 - Telescoping the ballast trailer guide.
 - Lifting the ballast trailer via the support cylinders.
 - Lifting the ballast trailer via the pull cylinders.
 - Derrick adjustment by spooling out winch 4, triggered by: Running against the „block position ballast trailer up“.

4.10.2 Two arrows pointing down

- display the **shut off** of movements.
 - Driving the crawler
 - Turning the turntable
 - Telescoping the ballast trailer guide.
 - Lowering the ballast trailer via the support cylinders
 - Lowering the ballast trailer via the pull cylinders
 - Derrick adjustment by spooling up winch 4, triggered by: Running against the „block position ballast trailer down“.

4.10.3 Arrow pointing up with?

- There is at least one limit switch - „block position ballast trailer up“ - defective.

Note:

There is no shut off when reaching the block position up or down!

Defective limit switches must be replaced immediately with new limit switches and subjected to a function test!

4.10.4 Arrow pointing down with?

- There is at least one limit switch - „block position ballast trailer down“ - defective.

Note:

There is no shut off when reaching the block position up or down!

Defective limit switches must be replaced immediately with new limit switches and subjected to a function test!

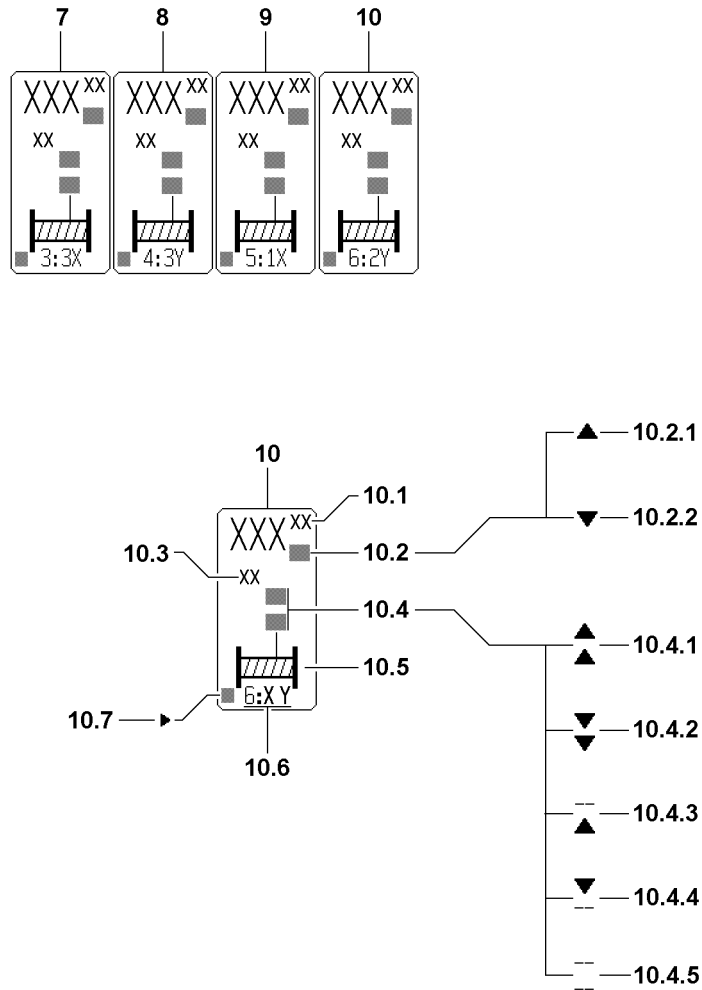


Fig.112945

8.6 Winch displays

8.6.1 Winches 3 to 6

The icons for winch 3*, winch 4, winch 5* and winch 6* are only shown on monitor 1, if the crane is equipped with these winches and the winches are activated.

The display of winches is the same as the display of winch 1 and 2 on LICCON monitor 0.



Note

- ▶ If one of the winches is used as hoist winch according to the set operating mode, then the **completed hook path** is shown in the winch icon. The value, which was tared by the corresponding function key is still shown unchanged, even after turning off and on or after an operating mode change!
- ▶ If one of the winches is used as a control winch, then the current **rope length on the winch drum** is shown, not the hook path. Then taring is possible, but after turning on and off again or after an operating mode change, the original value „Rope length on the rope drum“ is shown again!

Position	Icons / display values	Type of display	Is shown
7	Winch display winch 3*	Static	For installed and activated winch 3*
8	Winch display winch 4	Static	For installed and activated winch 4
9	Winch display winch 5*	Static	For installed and activated winch 5*
10	Winch display winch 6*	Static	For installed and activated winch 6*



Note

Assignment control winch / hoist winch

- ▶ „Winch 3*“, „winch 4“ and „winch 5*“ are always calculated as control winches!
- ▶ „Winch 6*“ is always calculated as hoist winch in operating system "Boom nose"!
- ▶ „Winch 6*“ in single operation of winch I and winch II, no master switch is assigned. If winch 1 and winch 2 are parallel operated, then winch 6 is assigned the master switch of winch 2, MS2Y!

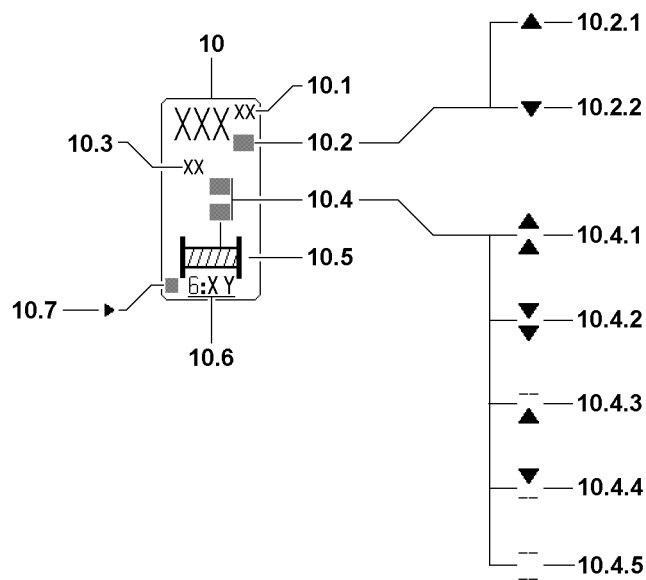
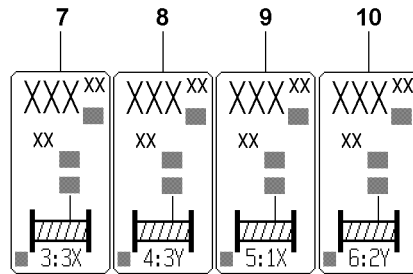


Fig.112945

8.6.2 Winch display

The winch 3 and winch 6 icons have the same meaning, which are explained for the „Winch 6“ **10** icon.



Note

Display area winch displays!

- ▶ The „Completed path“ display **1.1** has only three positions before the comma, any positions before that are cut off! The crane operator must evaluate for himself if, for example 200 m rope are spooled up on a winch or 1200 m. **The display in both cases would be identical with 200 m !**
- ▶ The hook path calculation only works accurately if the load is suspended freely and is not luffed during the lifting procedure! Not taken into account are flexation and rope expansion!
- ▶ The length display (hook path display) is only accurate and the layer jump is only taken into account correctly if the winch has been calibrated and no interruptions of the CPU power supply have occurred (cold start)!



Note

Error in winch path measurement!

- ▶ In case of an error in the winch path measurement, blinking „???“ appear as display value **10.1!**
- ▶ If an error occurs and an error message is issued, see Diagnostics manual!

10 „Winch 6“ icon

10.1 Completed hook path

- In [m] or [ft]
From a zero point to be determined

• Note:

Is statically shown when the winch is calculated as **hoist winch** and a manually entered reeving must be assigned to this winch!

or

10.1 Rope length of the winch drum

- In [m] or [ft]

• Note:

Is statically shown when the winch is calculated as **control winch!**



Note

- ▶ For winch 4 (intake gear), the rope length is valid equally for the left and the right half of the rope drum!

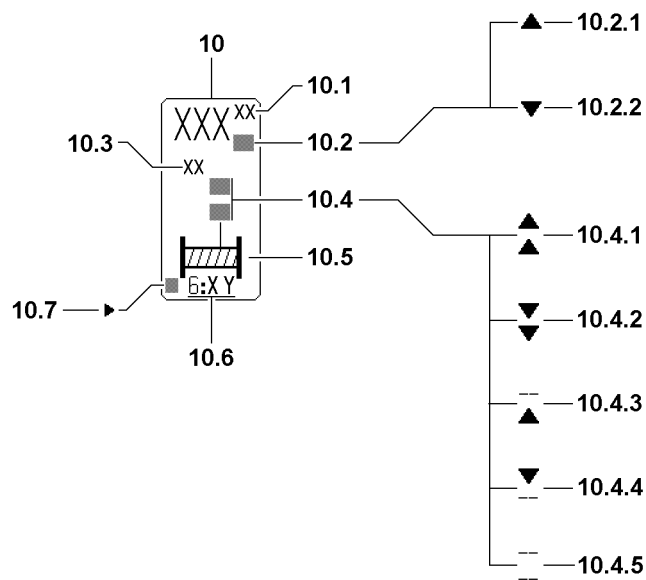
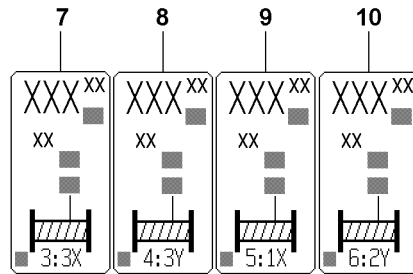


Fig.112945

10.2 Direction of hook movement

The arrows on the length value show the direction of the hook movement in relation to the zero point:

- Arrow up **10.2.1**: Hook has moved upward from the zero point.
- Arrow up **10.2.2**: Hook has moved down from the zero point.

10.3 Length unit for hook path display

- In [m] or [ft]

10.4 Winch status display

- There are five winch status icons (all blinking):

10.4.1 Spool out**10.4.2** Spool up**10.4.3** Spooled out

- Spooling out is blocked

10.4.4 Spooled up

- Spooling up is blocked

10.4.5 Winch is deactivated

- Spooling up and spooling out are blocked (via Control parameter program).

• **Note:**

If no winch status icon appears, the activated winch is inactive and is neither spooled up nor out!

10.5 Winch icon

- (With rope end for winch status icon)

10.6 Winch number with master switch number and master switch operating direction

- Example: 6:2Y
First digit: Winch number
Second digit: Master switch number
Letter: Master switch operating direction

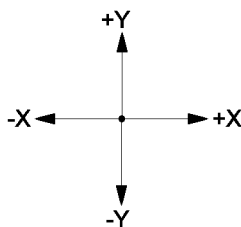


Fig.199930

10.7 Vibration sensor

- If the vibration sensor for a winch is added on the master switch, then an arrow appears in this winch icon for the added vibration sensor.

• **Note:**

The vibration sensor is added for the first actuated crane function!

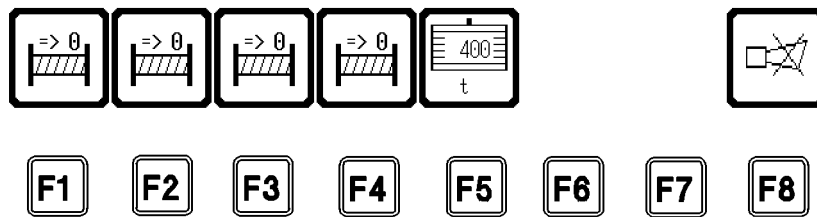


Fig.199942

8.7 Function key line

Position	Function / function key line	Type of display	Is shown
F1	Tare length display of winch 3* Note: Tare = length display is set to 0!	Static	If winch display for winch 3* is shown
F2	Tare the length display of winch 4 Note: Tare = length display is set to 0!	Static	If winch display for winch 4 is shown
F3	Tare length display of winch 5* Note: Tare = length display is set to 0!	Static	If winch display for winch 5* is shown
F4	Tare length display of winch 6* Note: Tare = length display is set to 0!	Static	If winch display for winch 6* is shown

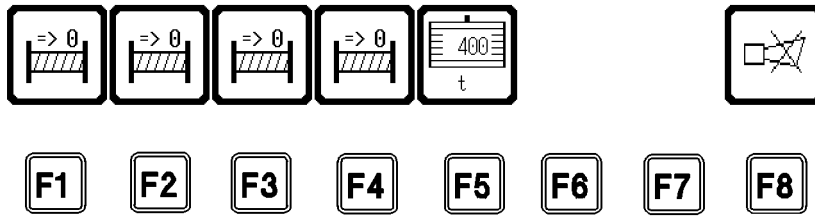


Fig.199942

Position	Function / function key line	Type of display	Is shown
F5	<p>Ballasting key*</p> <p>When pressing function key F5, the thick icon frame changes to a thin icon frame. A blinking cursor appears in the ballast input field. The value for the placed ballast can only be entered in the displayed weight unit [t] or [kips] via the keypad on monitor 1.</p> <p>The ballast input can be ended by:</p> <ul style="list-style-type: none"> - Pressing the ENTER key C <p>= Take over value The entered value appears now as value for the placed ballast (BA_{placed}) in the ballast icon</p> <p>or</p> <ul style="list-style-type: none"> - Pressing „F5“ key <p>= abort ballast input. The change is discarded. The old value of BA_{placed} remains in the ballast icon.</p>	Static	In operating modes with derrick ballast

**Note**

- ▶ When entering the ballast, make sure to observe the respective section regarding the derrick ballast, see Crane operating instructions, chapter 4.03!

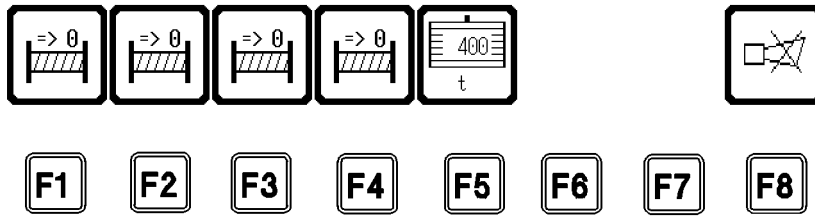


Fig.199942

Position	Function / function key line	Type of display	Is shown
F5*	Ballast input value (BA _{edit})* = entered ballast value in function key icon of „F5“	Static	For valid ballast input value
		„???“ blinking	For invalid ballast input value
F6	Not assigned		
F7	Not assigned		
F8	„Horn“ icon - Turn off the acoustic signal „Horn“ on monitor 1 by pressing the „F8“ key.	Blinking	If the acoustic signal „Horn“ sounds on monitor 1. See paragraph „Acoustic warning on monitor 1“.

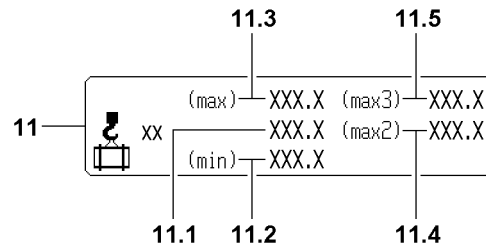


Fig.112946

8.8 Load min / max

The „load capacity min / max“ **11** icon appears on monitor 1 only if an operating mode with derrick ballast has been selected.

- 11** Load min / max
 - In [t] or [kips]

11.1 Current load on the boom

- Actual load display = **Load**, which currently hangs on the selected boom.
- Display of the calculated total load including the weights of the carrying equipment, the lifting equipment (hook block) and / or the fastening equipment, but **without** the nominal weight of the hoist rope

- **Note:**

The „current load on the boom“ **11.1 cannot** „be tared“ and set to zero on monitor 1. If the „current load on the boom“ **2.1** was not tared („zeroed out“) on monitor 0, then the following applies:

The „current load on the boom“ **11.1** of monitor 1 and the „current load on the boom“ **2.1** of monitor 0 are identical. The displayed values must match.

11.2 Min-load

- Is the minimum load which the crane must pull in the current operating condition with the currently pulled derrick ballast, so that $F1_{\text{actual}}$ is larger than $F1_{\text{min}}$ and no $F1_{\text{min}}$ -shut off occurs as a result.
If this „min-load“ is **not** reached, then the $F1_{\text{min}}$ -shut off occurs.
- The „min-load“ is an approximate calculated value, which can still change slightly when lifting / setting down the load.
- When the „min-load“ is larger then the weight of the hook and the tackle, then this means that the load can only be set down if the pulled derrick ballast is also reduced. This means a suspended derrick ballast must be set down on the ground, otherwise the $F1_{\text{min}}$ -shut off occurs.

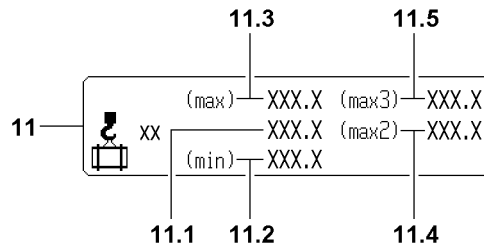


Fig.112946

11.3 Max-load

- Is the maximum load („maximum load according to load chart and reeving on the boom“ **1.1**), which the crane can lift in the current operating condition with the currently **pulled** derrick ballast

Note:

Die „max-load“ on monitor 1 and the „Maximum load“ on monitor 0 are identical. The displayed values must always match.

11.4 Max2-load

- Is the maximum load, which the crane can lift in the current operating condition, when the **placed** derrick ballast is fully **pulled**

11.5 Max3-load

- Is the maximum load, which the crane can lift in the current operating condition, when the **optimum** derrick ballast is placed and fully **pulled**

Note:

The optimum derrick ballast is reached when a further increase of the derrick ballast results in **no higher maximum load**.

**Note**

The following display values of the „min / max load“ **11** icon correspond:

- ▶ The „current load on the boom“ **11.1** and the actual force „F_{1_{is}}“ **1.1**.
- ▶ The „min-load“ **11.2** and the minimum force „F_{1_{min}}“ **1.2**.
- ▶ The „max-load“ **11.3** and the maximum operating force „F_{1_{max-operation}}“ **1.3**.

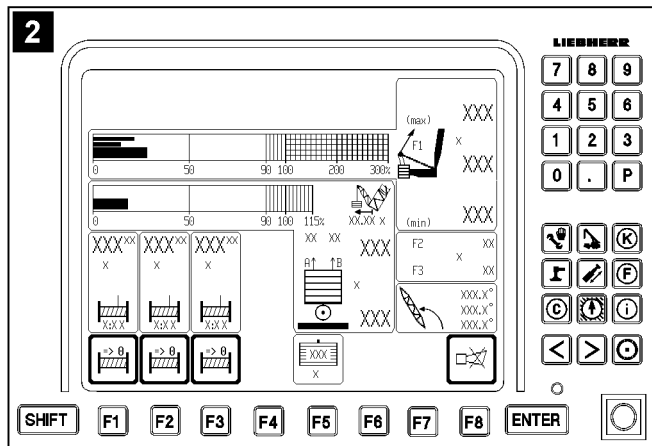
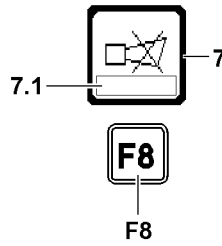
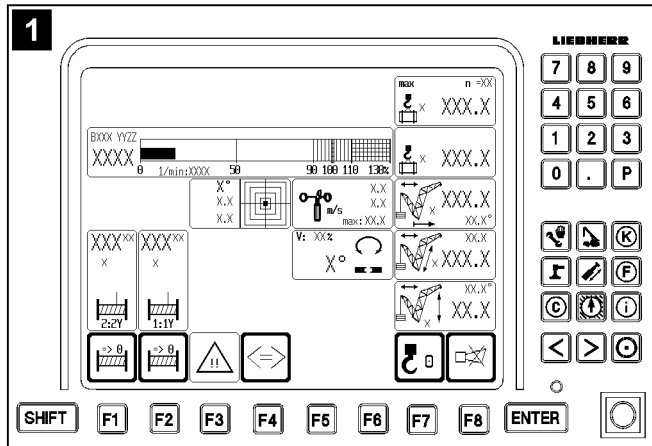


Fig.112359

8.9 Acoustic warning on monitor 1

Acoustic warnings on monitor 1 (illustration 2) are indicated by the warning sound „Horn“.

Error messages are only shown in the Horn icon 7 of LICCON monitor 0 (illustration 1).

The warning sound „Horn“ is divided into two categories:

- „Horn“ is a beeping sound of a duration of approximately 0.5 seconds, which is repeated in a second cycle.
- „Short horn“ is a beeping sound of a duration of approximately 0.1 seconds, which is repeated in a second cycle.

7 Horn icon

- When the Horn icon 7 is shown in the LICCON monitor, any acoustic signals which will occur can be shut off by the LICCON monitor 1 by pressing the function key **F8**.

8.9.1 Acoustic signal „Horn“

For some operational errors found on the CPU 1, which can lead to a shut off of a movement, it is important to check the operating screen on monitor 1 and monitor 0. These errors are reported by the acoustic signal „Horn“ on monitor 1 and additionally as visual display of the error message 7.1 on monitor 0.

Operational errors are:

- Exceeding of test point 1 - Assembly maximum threshold
- Exceeding of test point 1 - Operation -Max- shut off threshold
- Exceeding of test point 1 - Minimum threshold
- Exceeding of maximum derrick boom angle
- Falling below minimum derrick boom angle

Operational errors with error messages (LICCON-Error-Code LEC) are:

- Derrick ballast input error.
- Derrick ballast guy force: Difference between right (A) and left (B) too large.



Note

- ▶ The sensor monitored by CPU1 (pull test brackets, pressure sensors, angle sensors) are shown in case of an error by an error message on LICCON monitor 0!
- ▶ There is **no** acoustic signal „Horn“ on monitor 1!

8.9.2 Acoustic signal „Short horn“

Sounds in addition to the visual display of error messages without an error number and which do not lead directly to crane movement shut off by the LICCON overload protection.

Monitored error messages are:

- Advance warning threshold of test point 1 - minimum force has been reached.

8.9.3 Priority acoustic signal

- The „Horn“ alarm has higher priority than the „Short horn“ alarm, i.e. „Horn“ takes preference over „Short horn“.
- The „Horn“, as well as the „Short horn“ immediately become active again if an error recurs!

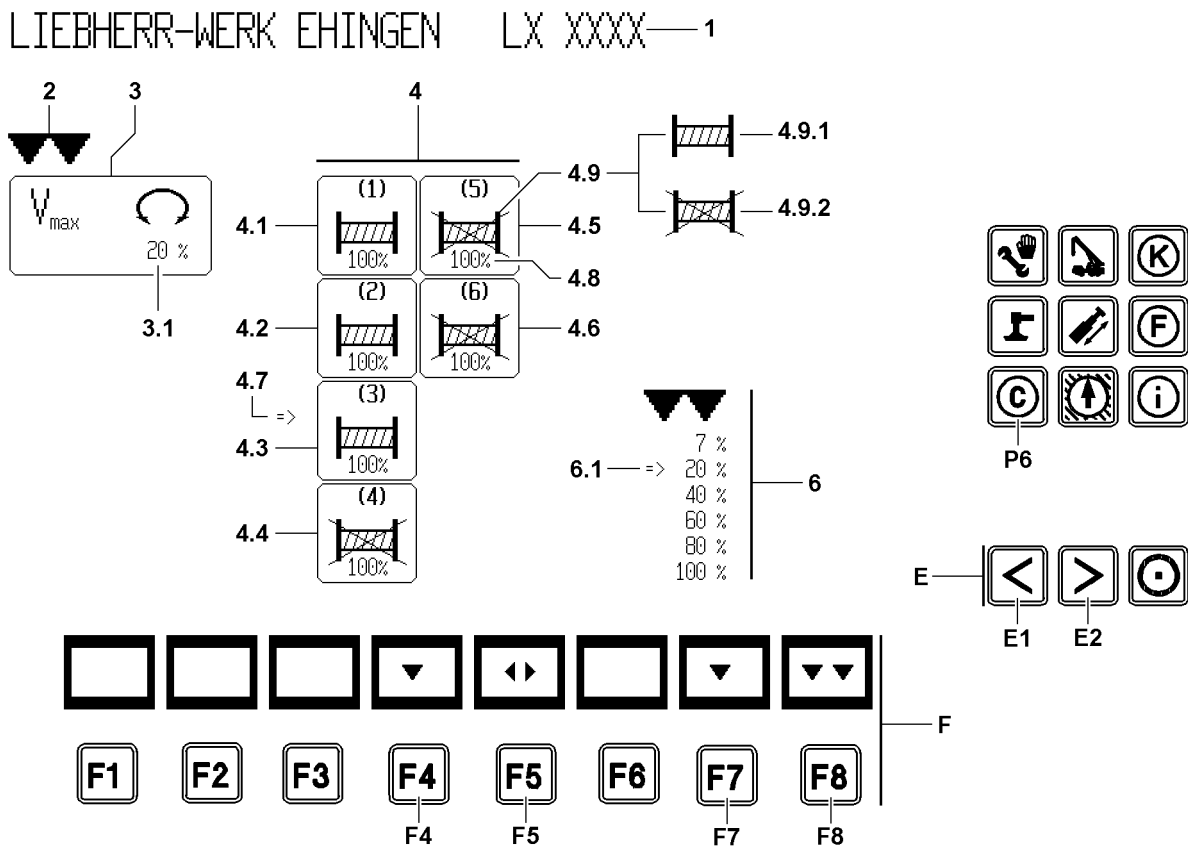
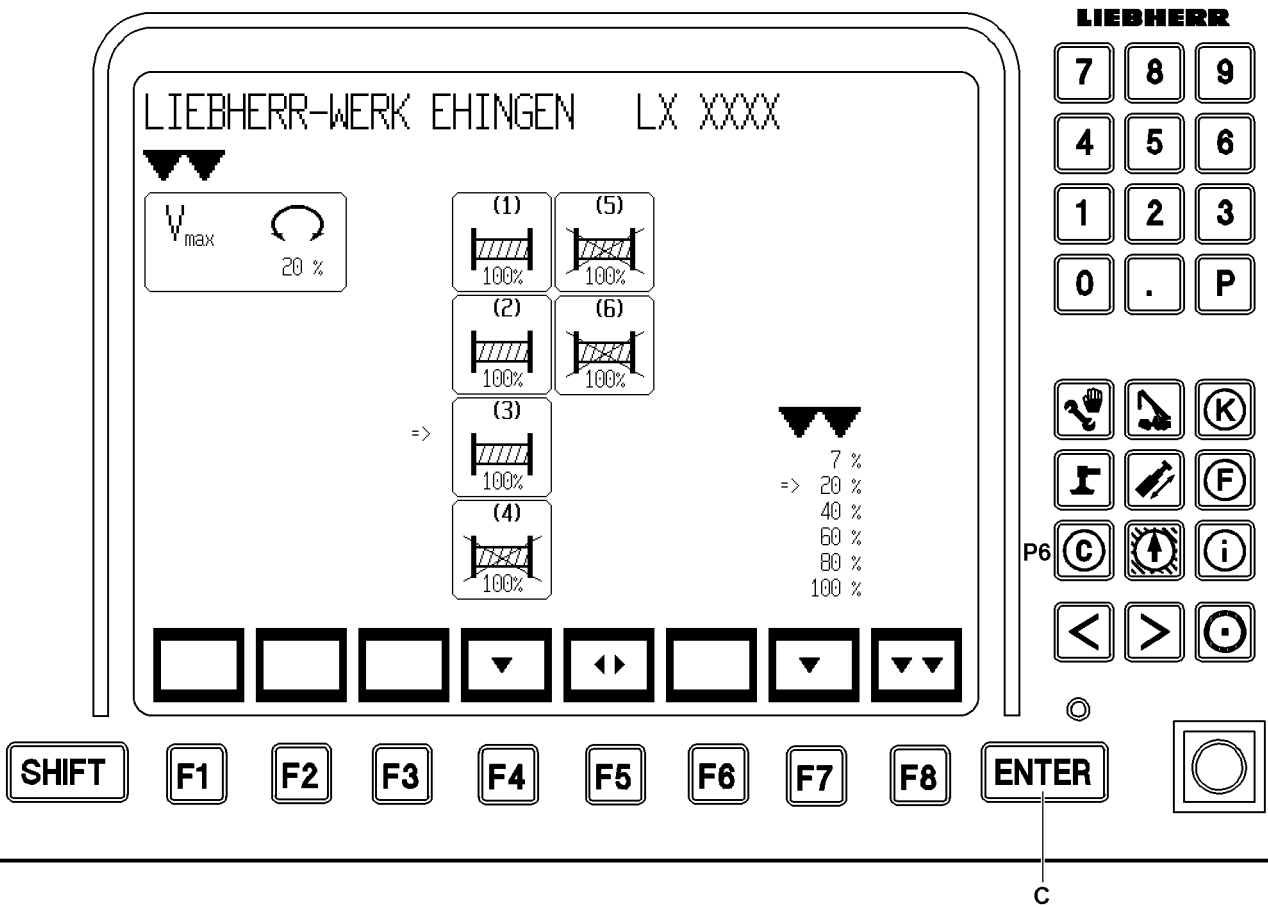


Fig.112947

LWE/LR 11350-005/19004-04-02/en

9 The Control parameter program

The Control parameter program offers the following possibilities:

- Preselection of maximum slewing speed of slewing gear.
- Preselection of maximum rotation speed of individual winches.
- Activation / deactivation of individual winches.

During the Control parameter program, the exceedance of shut off limits of the LICCON overload protection may not be activated. Otherwise the system switches back immediately into the Crane operation program.



DANGER

Danger of accident!

- ▶ **Never** change the speeds or the activation / deactivation of the winches while actuating a crane movement!
-

9.1 Starting the program

- ▶ Press the program key **P6**.

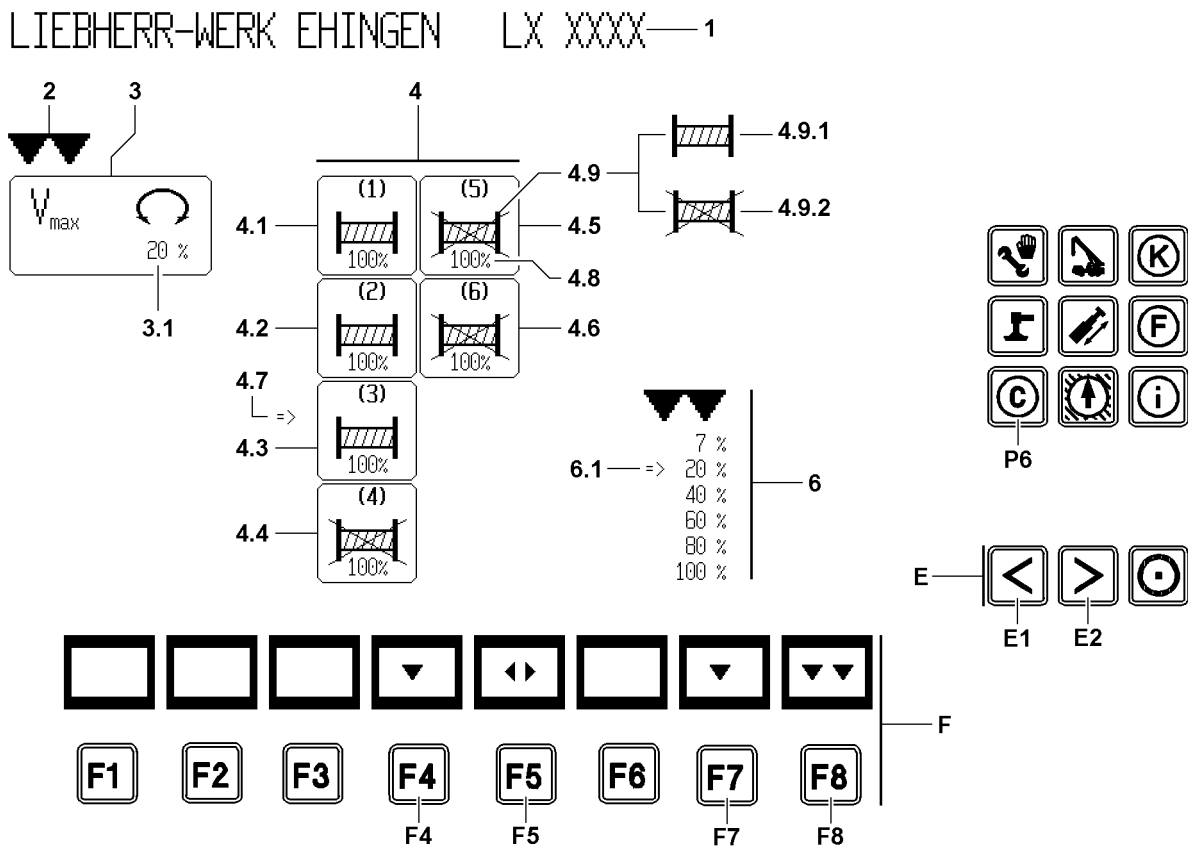
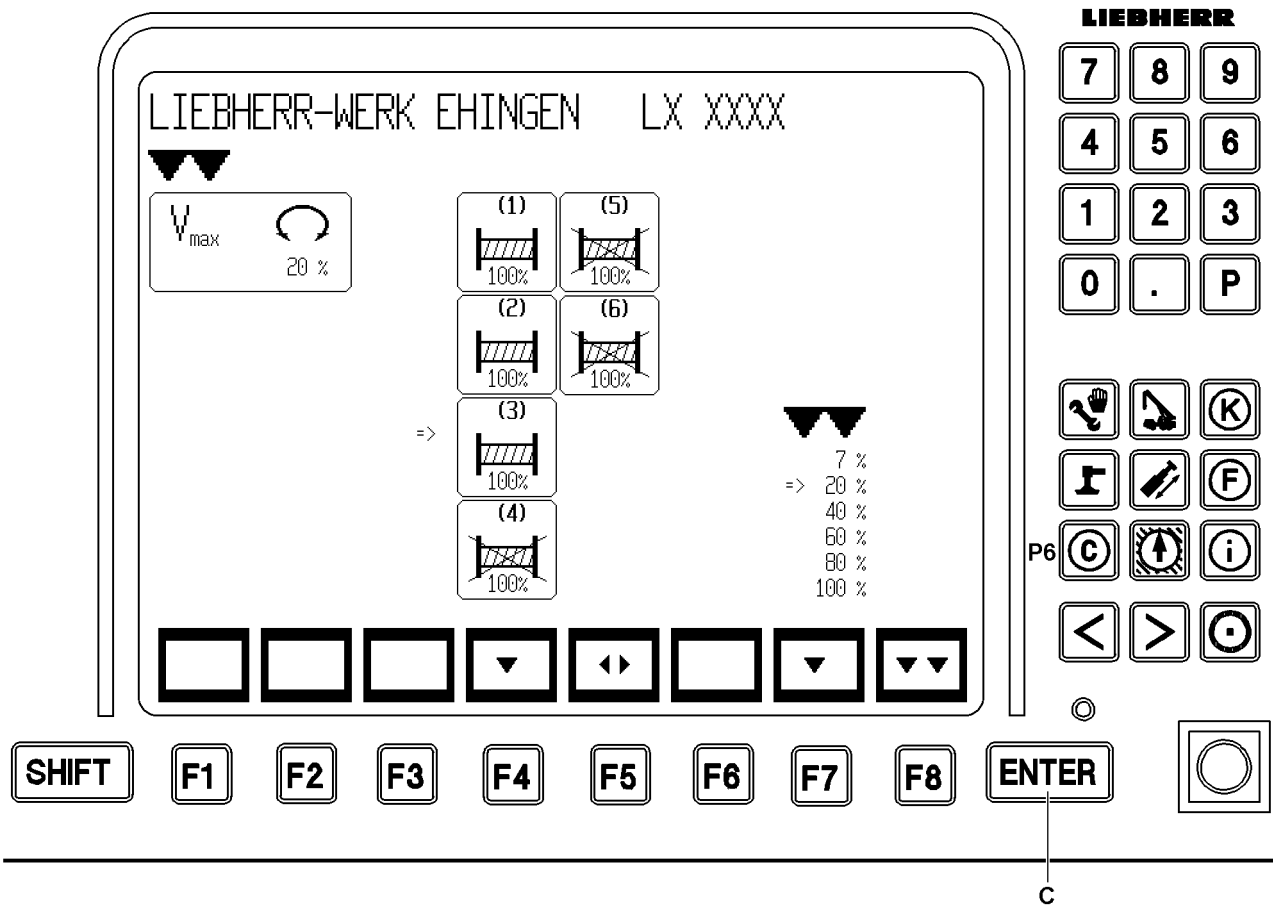


Fig.112947

LWE/LR 11350-005/19004-04-02/en

9.2 User interface

- 1 Crane type
- 2 Selector „Icon selection“
 - Shown via double arrow down
 - Select icon
- 3 „Slewing gear“ icon
- 3.1 „Maximum rotation speed“
 - V_{max} in percent [%]
- 4 „Winches“ icon group



Note

- The setting possibilities are the same for all winches and are explained on the Winch 5* icon **4.5!**

- 4.1 Winch 1
- 4.2 Winch 2*
- 4.3 Winch 3*
- 4.4 Winch 4
- 4.5 Winch 5*
- 4.6 Winch 6*
- 4.7 Winch selector
 - Shown via arrow to right
 - Select the winch, for which the „properties“ are to be changed
- 4.8 Winch speed
 - In percent [%]
 - Current for the selected speed for the respective winch
- 4.9 Winch icon
- 4.9.1 Winch activated
- 4.9.2 Winch deactivated
- 6 Value field with selector
 - The percentage values describe the speed with maximum deflection of the manual control lever, always in relation to the maximum achievable speed of the drive, with 100 % preselected speed. Six stages may be preselected.
- 6.1 Speed selector
 - Arrow to the right
 - Select percentage value(s) for speed stages
- F Function key line
- F4 Function key
 - Select winch
- F5 Function key
 - Activate / deactivate selected winch(es)
- F7 Function key
 - Select percentage value of corresponding speed in value field
- F8 Function key
 - Return to the crane operation program and take over parameter
- C Input key ENTER
 - Take over the selected speed setting for the preset functions
- E Special function keys
- E1 Special function key
 - Move the selector **2** for selecting icons to the left
- E2 Special function key
 - Move the selector **2** for selecting icons to the right

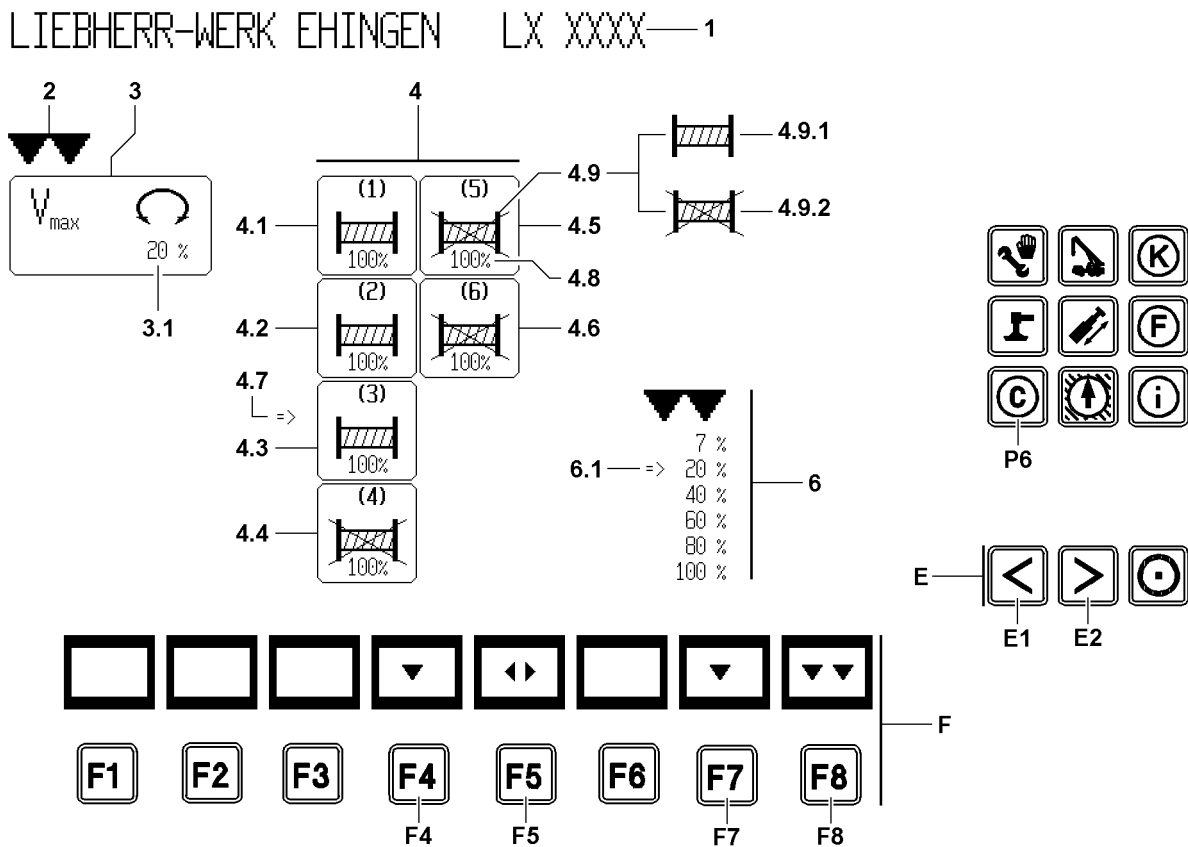
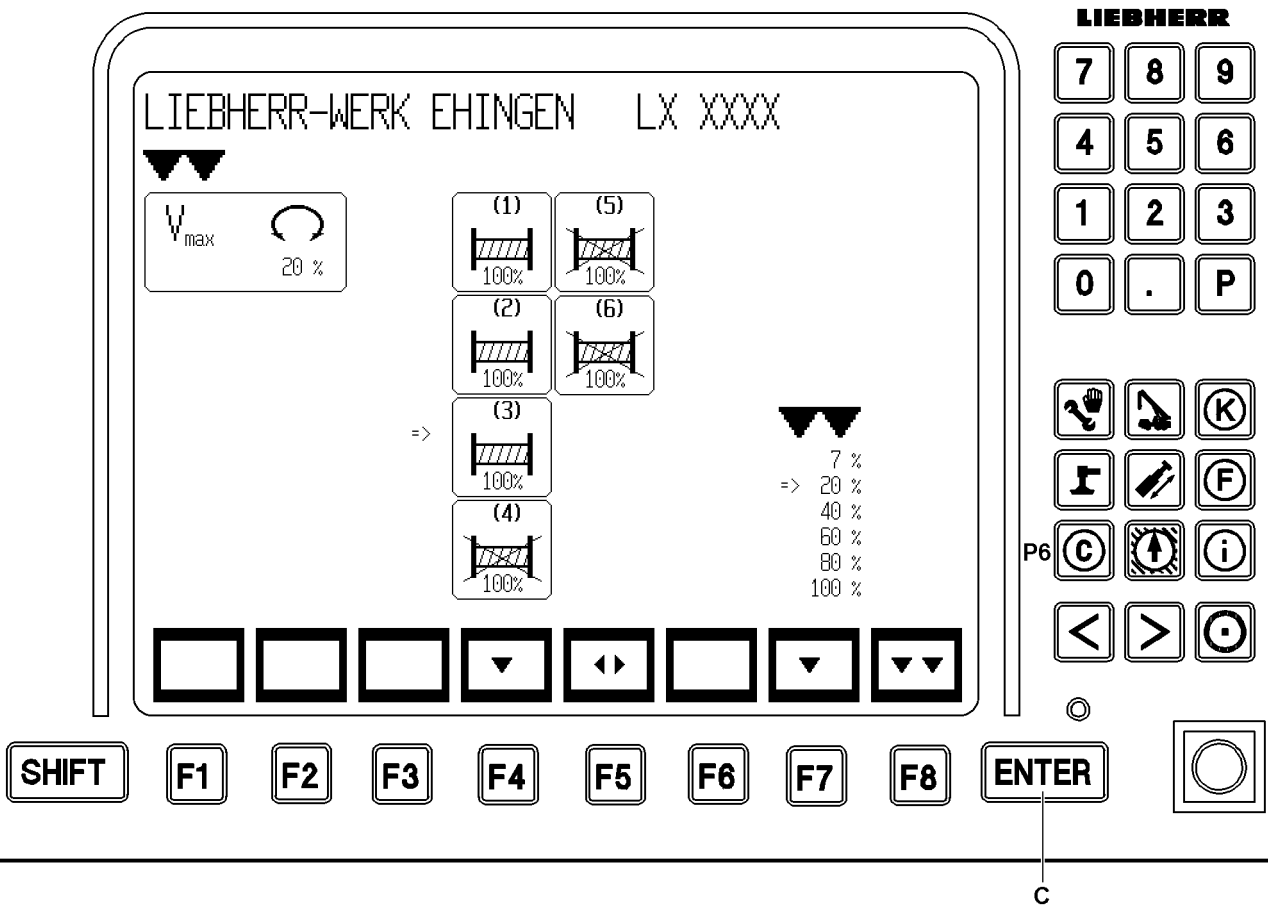


Fig.112947

LWE/LR 11350-005/19004-04-02/en

9.3 Changing the maximum rotation speed of slewing gear



DANGER

Danger of accident!

- ▶ During crane operation with load, always adhere to the maximum rotation speeds depending on boom length and operating modes (according to load charts)!
- ▶ The longer and heavier the boom is and the greater the load, the smaller the set „Maximum rotation speed“ must be!
- ▶ **Never** deflect the master switch for the slewing gear to the stop at maximum load!

- ▶ Use the special function key **E1** or special function key **E2** to select the „slewing gear“ icon **3**.

Result:

- Selector (double arrow down) **2** appears above the „slewing gear“ icon **3**.

- ▶ Select the maximum rotation speed in percent with function key **F7**.

Result:

- Selector (arrow to right) **6.1** shows the selected percentage value.

- ▶ Use the ENTER key **C** to confirm the selected „Maximum rotation speed“.

Result:

- The value of the „maximum rotation speed“ is shown in the icon and taken over into the control.

9.4 Winches

9.4.1 Changing maximum winch speed

- ▶ Using the special function key **E1** or special function key **E2**, select the icon group „Winches“ **4**.

Result:

- Selector (double arrow down) **2** appears above the icon group „Winches“.

- ▶ With the function key **F4**, select the icon for „winch 1“, **or** „winch 2“, **or** „winch 3“*, **or** „winch 4“, **or** „winch 5“* **or** winch 6* **4.6**.

Result:

- Selector (arrow to right) **4.7** shows the selected winch.

- ▶ Select the „maximum winch speed“ in percent with function key **F7**.

Result:

- Selector (arrow to right) **6.1** shows the selected percentage value.

- ▶ Use the ENTER key **C** to confirm the selected „maximum winch speed“.

Result:

- The value of the „maximum winch speed“ is shown in the selected winch icon and taken over into the control.

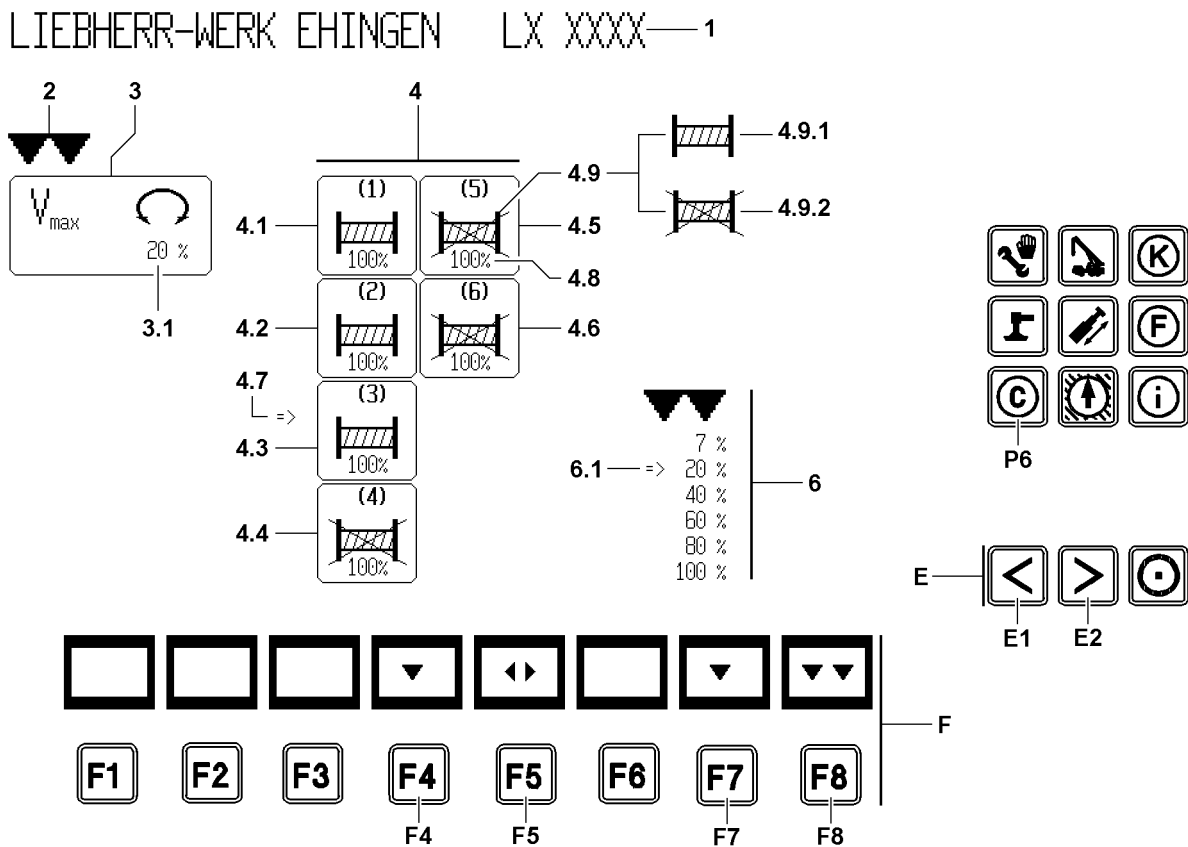
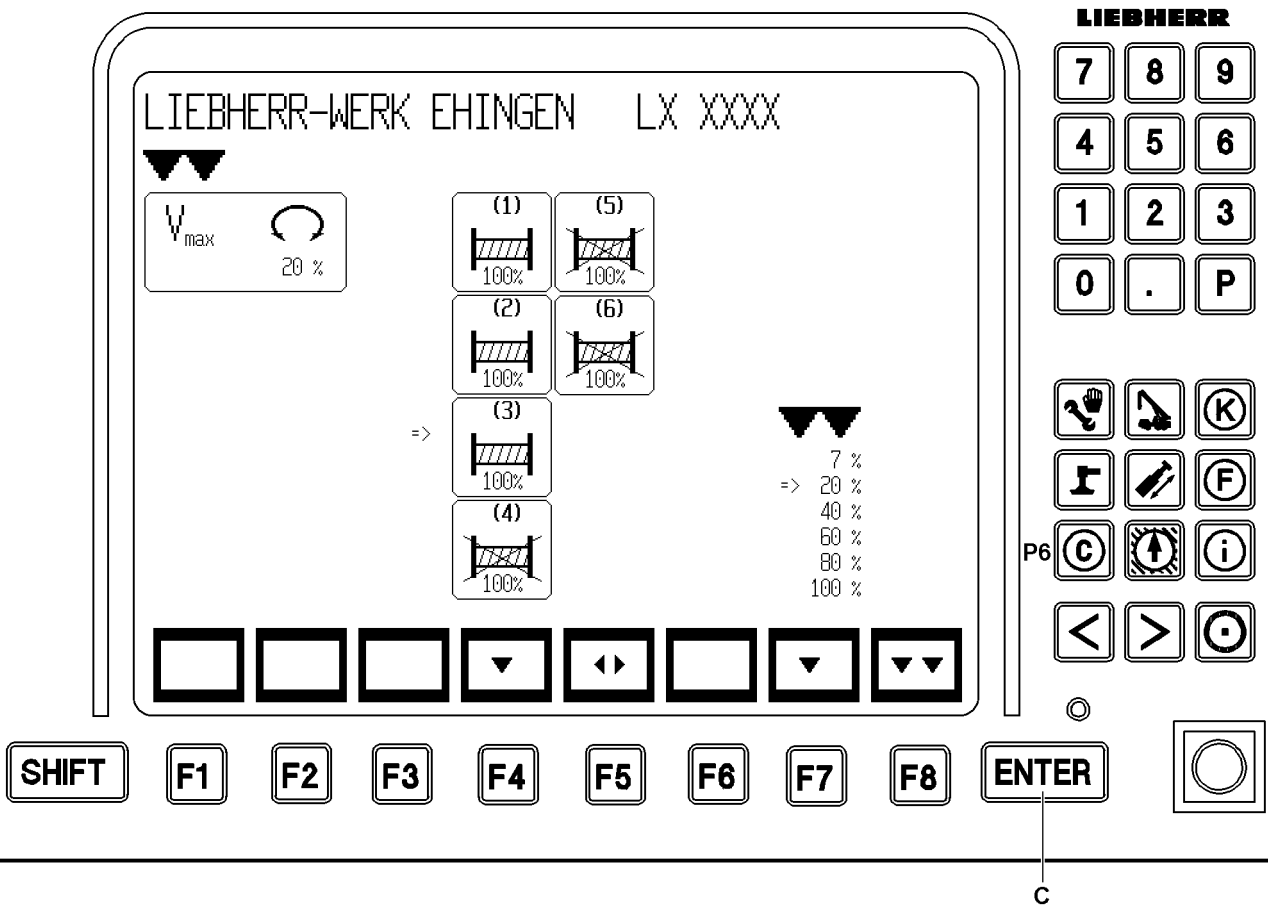


Fig.112947

LWE/LR 11350-005/19004-04-02/en

9.4.2 Activating / deactivating individual winches

In order to prevent unintentional activation of a winch that is currently not required, deactivate individual winches.

- ▶ Using the special function key **E1** or special function key **E2**, select the icon group „Winches“ **4**.

Result:

- Selector (double arrow down) **2** appears above the icon group „Winches“ **4**.

- ▶ With the function key **F4**, select the icon for „winch 1“, or „winch 2“*, or „winch 3“*, or „winch 4“, or „winch 5“ *.

Result:

- Selector (arrow to right) **4.7** shows the selected winch.

- ▶ Using the function key **F5**, activate or deactivate the selected winch.

Result:

- The winch icon in the icon changes the appearance.

Winch icon not crossed out = winch activated **4.9.1**.

Winch icon crossed out = winch deactivated **4.9.2**.

9.5 Switching back to the crane operation program

- ▶ Press the function key **F8**.

Result:

- The parameters previously confirmed with the ENTER key **C** will be taken over into the control.

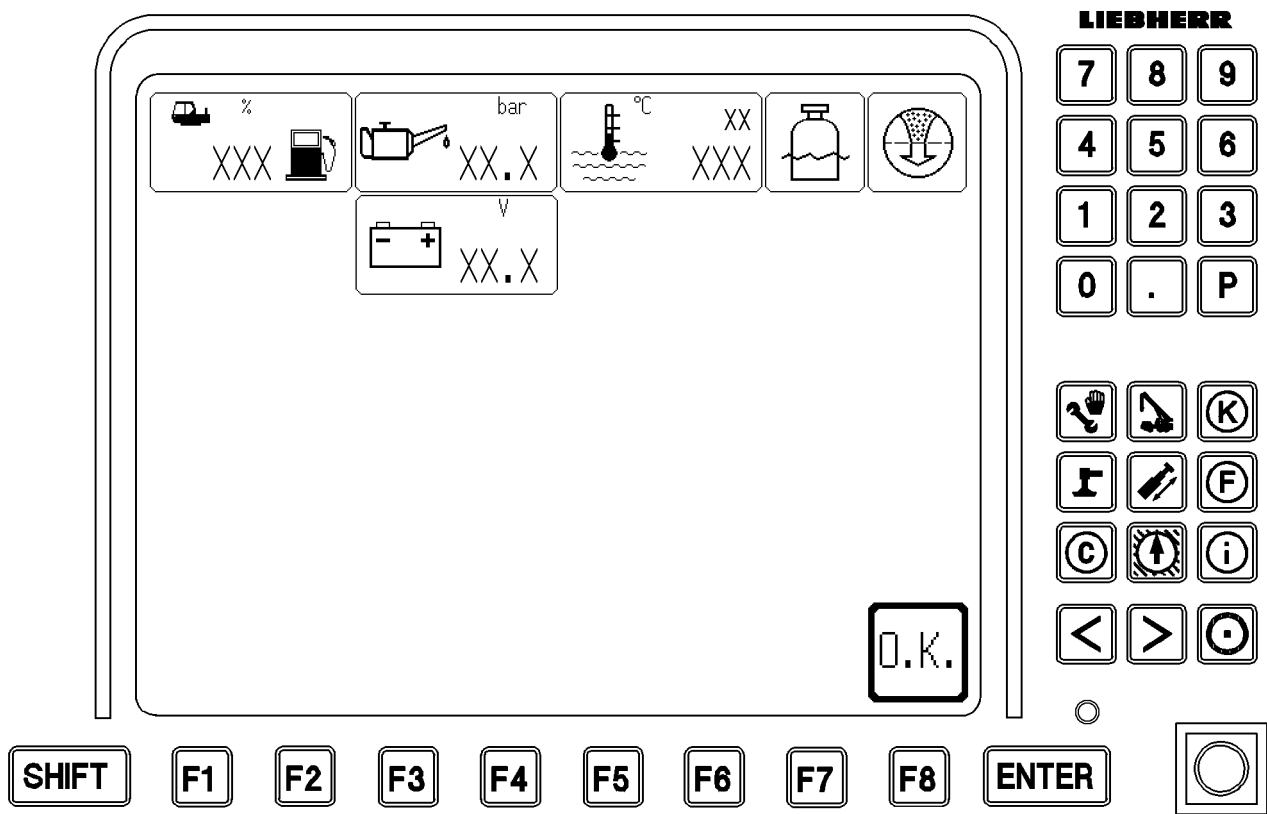
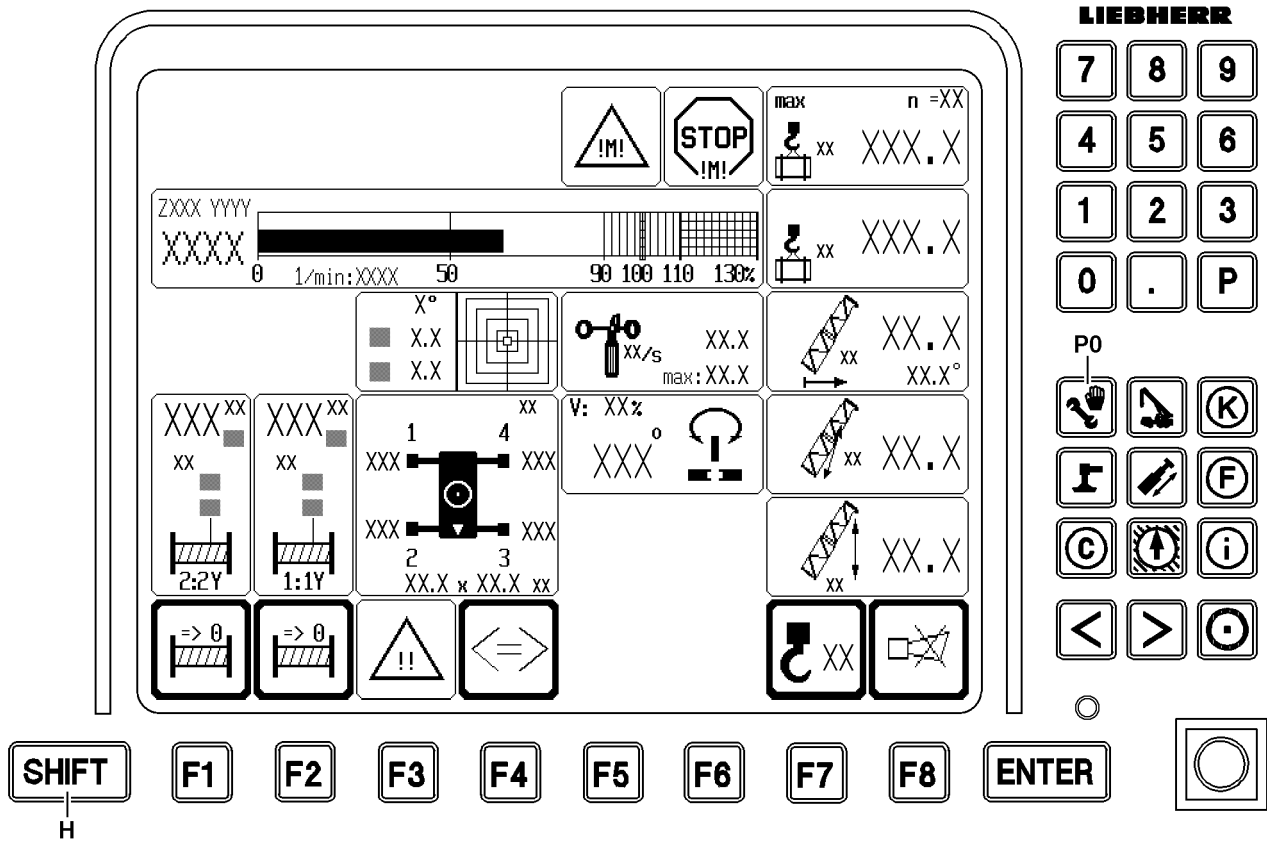


Fig.112361

10 The Engine monitoring program

All engine-related data is displayed by the engine monitoring program, such as the engine oil pressure, coolant temperature etc. The change from the crane operation into the engine monitoring program is made automatically in case of a problem.

10.1 Starting the program

NOTICE

Danger of severe engine damage!

If the engine monitoring program reports a problem and / or warning occurrence, then you must react immediately and remedy the problem!

- ▶ React to problems and / or warning occurrences immediately and remedy the problem!
 - ▶ If necessary, stop crane operation and turn the engine off!
-

NOTICE

Shut off engine monitoring!

Outside of the crane operation program, the engine monitoring is turned off!

When the engine monitoring is turned off, problems and warning occurrences are not recognized!

This could result in crane failure!

- ▶ If work is not carried out in the crane operation program, then turn the crane engine off and operate the LICCON computer system in stand-by mode, see section „LICCON computer system in stand-by mode“!
 - ▶ If work has to be carried out for a longer period outside of the crane operation program, with the engine running, then switch regularly into the engine monitoring screen!
-

The program starts automatically:

- ▶ Once if a STOP event of the engine monitoring takes place during **crane operation** on the crane operation program (at least one master switch is deflected or activated). The engine monitoring screen is displayed for approx. 5 seconds and then automatically reverts to the crane operating screen.

or

At an advance warning, warning or STOP event of the engine monitoring during the boot up of the LICCON computer system.

This is how you start the program at the prompt:

- ▶ Press the key combination SHIFT **H** + program key **P0**.

Result:

- The engine monitoring screen is shown.
- All **load moment increasing** crane movements are blocked or turned off.

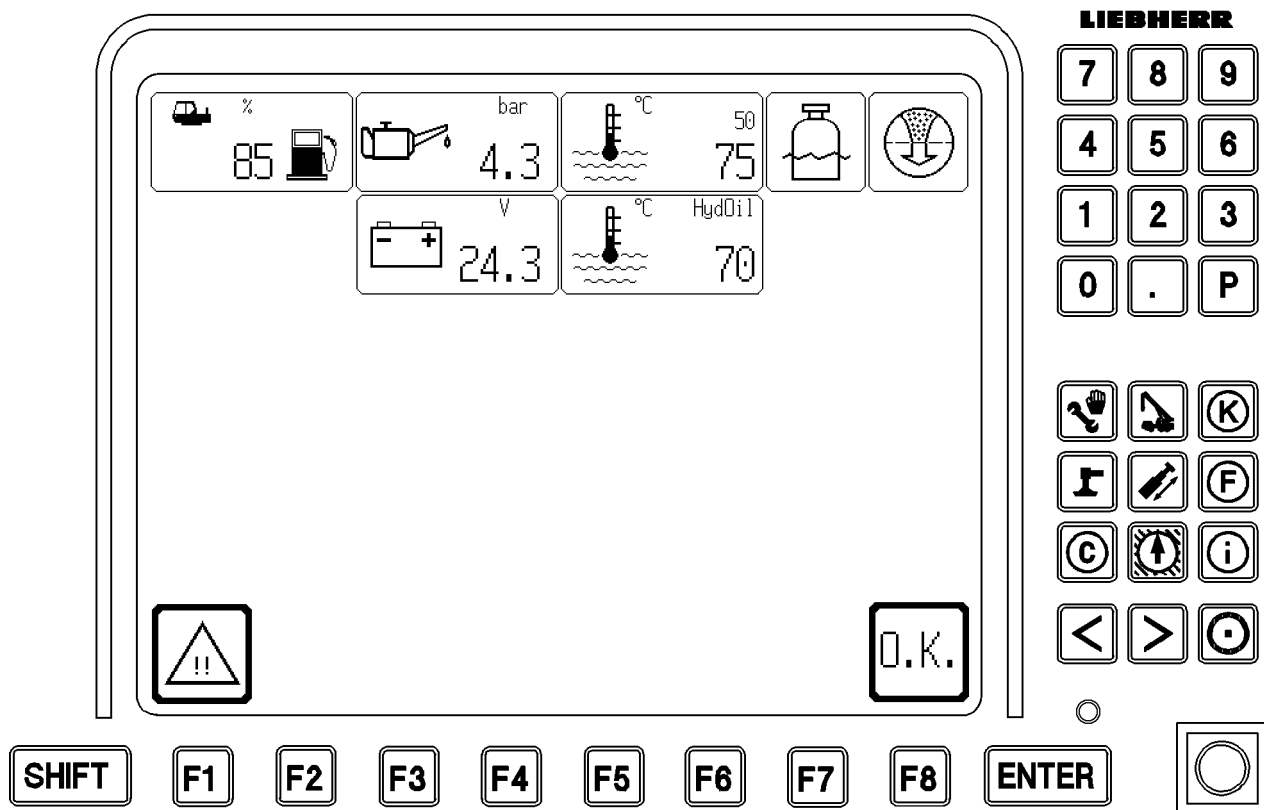
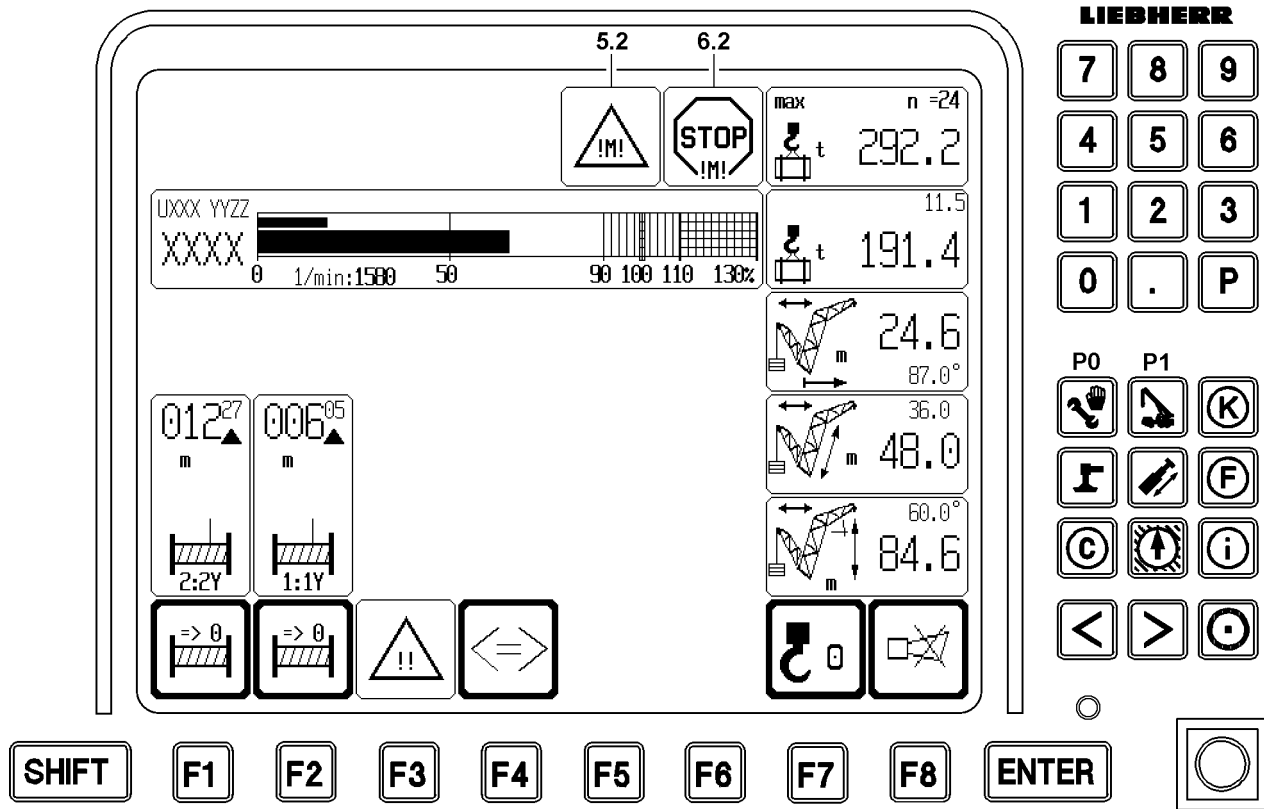
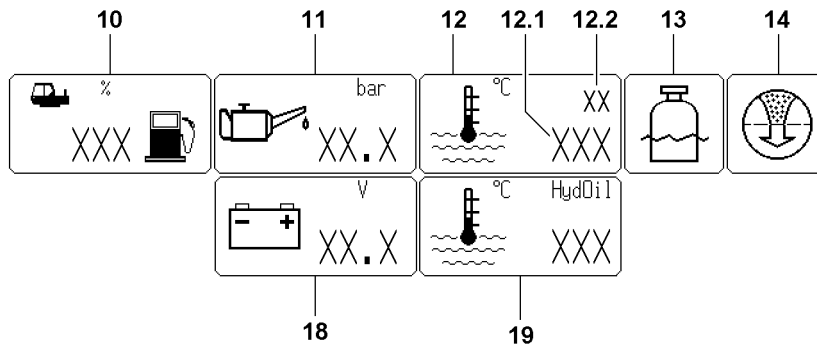


Fig.199923

10.2 Possible engine monitoring advance warning, warning and STOP events

Events	Advance warning	Warning 5.2	STOP 6.2
Engine oil pressure (display value) missing		x	
Erroneous engine oil pressure (display value)		x	
Engine oil pressure warning active			x
Coolant / charge air temperature (display value) missing		x	
Erroneous coolant / charge air temperature (display value)		x	
Coolant / charge air temperature warning active			x
Coolant level warning active			x
Hydraulic oil temperature (display value) missing	x		
Erroneous hydraulic oil temperature (display value)	x		
Hydraulic oil temperature (display value) too high		x	
Air filter monitoring		x	
Battery voltage (display value) missing	x		
Erroneous battery voltage (display value)	x		
Battery voltage not between 16 V and 36 V	x		
Fuel reserve (display value) missing	x		
Erroneous fuel reserve (display value)	x		
Fuel reserve (display value) 10 % or less	x		
Fuel reserve (display value) 6 % or less		x	
Fuel reserve (display value) 1 %			x

If the system automatically switches to the „Engine monitoring“ program when an engine STOP event occurs, there is an option for retaining the engine monitoring screen within 5 seconds (retaining the engine monitoring screen is achieved by pressing the function key **F1**). Switch back to the operating screen using the function key **F8** (OK) or the program key **P1** (crane operation). If the engine monitoring screen is **not** retained, then after 5 seconds the system switches back automatically to the „Crane operation“ program.



F1



F8

Fig.112948

10.3 Retaining the engine monitoring screen

The automatic change over into the engine monitoring screen is only made from the „Crane operation“ program.

If you confirm a monitoring event in the engine monitoring screen with the function key **F8**, then there will be **no** automatic change over to the engine monitoring screen for the same event.

On switching back to the „Crane operation“ program, the STOP icon **6.2** or the Advance warning icon **5.2** appears. Advanced warnings are **not** pointed out in the „Crane operation“ program.



WARNING

There is a danger of severe damage to the engine if STOP events are ignored!

If other programs are used for extended periods of time, for example the „Set up“ or „Test system“, it is essential to switch occasionally to the engine monitoring screen in order to ensure that no engine monitoring events have occurred, which could lead to damage or destruction of the engine.

▶ Switch over occasionally to the engine monitoring screen!

▶ Press function key **F1**.

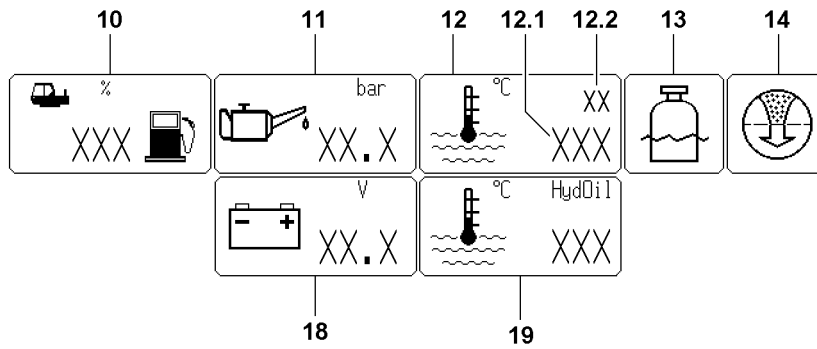
Result:

- Icon frames are displayed with a thin border.
- All crane movements that increase the load moment will be turned off or blocked.

▶ Press function key **F8**.

Result:

- System switches back to the „Crane operation“ program.
- The block of the load moment increasing crane movements will be lifted.
- The advance warning or STOP icons are faded into the „Crane operation“ program.



F1



F8

Fig.112948

10.4 Engine monitoring icons

10.4.1 Crane engine

- 10 Tank contents
 - In percent [%]
Icon blinks if the fuel reserve is less than 10 %
- 11 Oil pressure
 - In [bar]
Numeric display in icon blinks if the engine oil pressure is too low.
- 12 Coolant / charge air temperature
 - In [°C]
- 12.1 Coolant temperature
 - Numeric display blinks if the coolant temperature is too high
- 12.2 Charge air temperature
 - Numeric display blinks if the charge air temperature is too high
- 13 Coolant level too low
 - Icon appears if the coolant level is too low
- 14 Air filter is dirty
 - Icon appears if the air filter is dirty
- 18 Battery voltage
 - In [V]
Numeric display in icon blinks if the operating voltage is less than 16 V or above 36 V
- 19 Hydraulic oil temperature
 - In [°C]
• Numeric display blinks if the hydraulic oil temperature is too high.

10.5 Function key line

- F1 Function key
 - Retaining the engine monitoring screen
- F8 Function key
 - Switching back to the crane operation program



Note

► The function keys „F2“ to „F7“ are **not** used in the engine monitoring program!

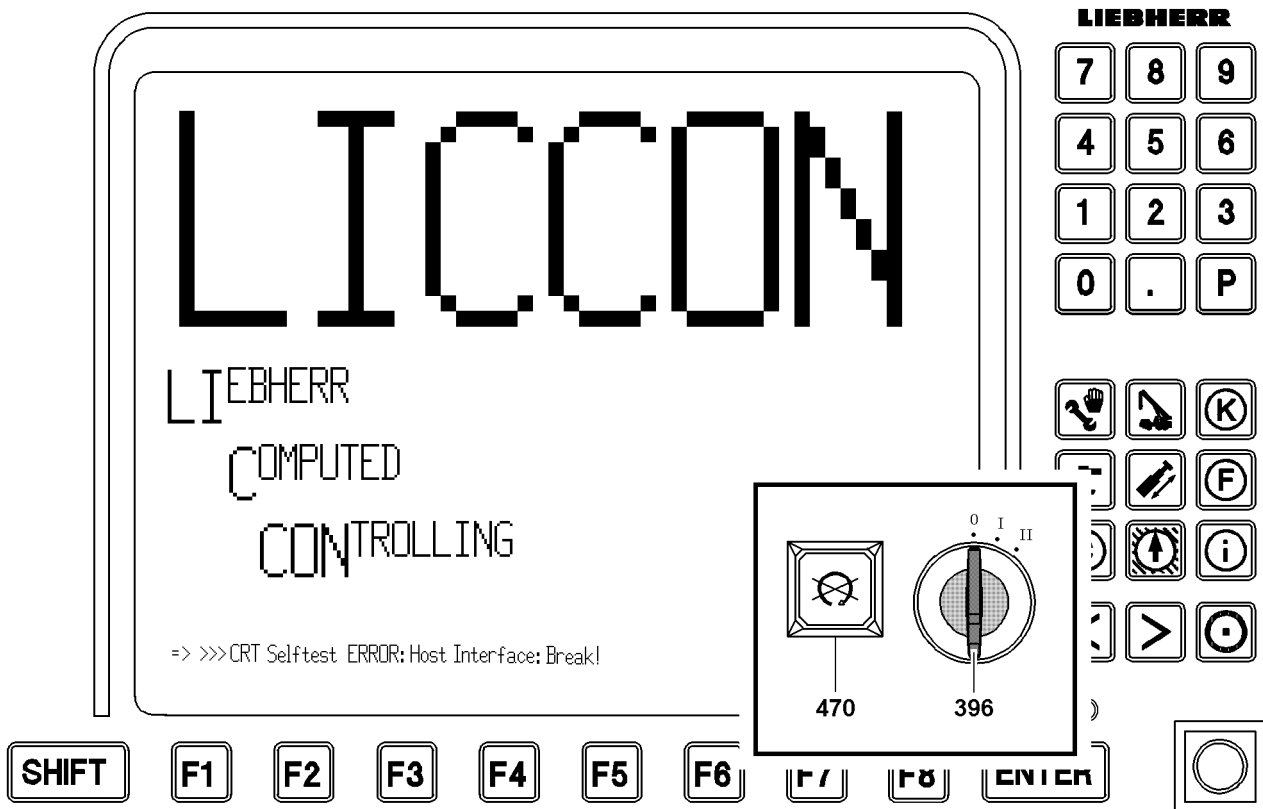
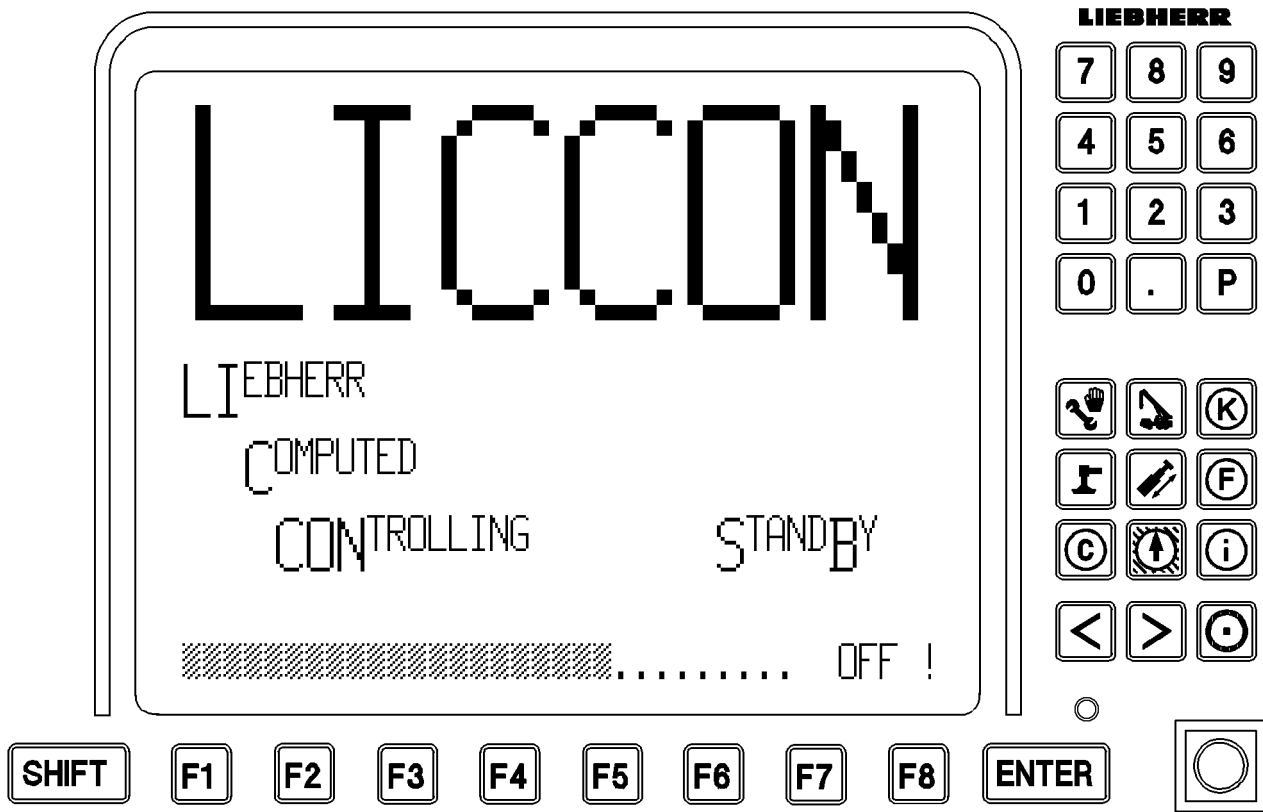


Fig.105191

11 LICCON computer system in stand-by mode

11.1 Starting LICCON computer system in stand-by mode

There are two ways of achieving stand-by mode with the LICCON computer system.

Possibility 1: Starting the LICCON computer system without the engine running:

- ▶ Turn the ignition switch **396** to position „I“ and leave it there.

Result:

- The LICCON computer system runs and the LICCON monitor shows the set up screen, or alternatively for a stop / warning / advance warning, the engine monitoring screen.

- ▶ Press function key **F8** (O.K.).

Result:

- System switches to the „Crane operation“ program.

Possibility 2: Turning off the running engine with the engine stop button 470:

- ▶ Press the engine stop button **470**.
- ▶ Leave the ignition switch **396** in position „I“.

Result:

- The engine is turned off, the LICCON computer system continues to run.



Fig.105191

11.2 Active stand-by operation / alarm

The operating programs and the monitor displays function exactly the same as in the turn-on procedure for the LICCON computer system with engine start (crane operation).

No crane movements are possible. If a crane movement is selected anyway, a message appears on the LICCON monitor.

Example: **Control turning shut off, the crane engine is not running.**

The duration of the stand-by operation is 15 minutes, of which 3 minutes are the stand-by alarm. Operating the LICCON computer system during stand-by operation automatically extends the stand-by time.

► In **Stand-by operation** no keys are pressed on the monitor.

Result:

- The stand-by alarm (horn) is reached after 12 minutes.
- This screen appears on the monitor: **STANDBY** (see illustration).
- Now press any key on the LICCON monitor.

Result:

- System switches back to the interrupted program.
- The stand-by time is extended by another 15 minutes.
- During the **stand-by alarm** (Duration: 3 minutes) **no** keys on the monitor are pressed.

Result:

- The LICCON computer system shuts completely off. The shut off is announced by acoustical signals 60 seconds in advance (short horn) and 30 seconds in advance (long horn). The power supply of the LICCON computer system turns off.
- This screen appears on the LICCON monitor: **CRT self test: ERROR: Host Interface: Break!** (see illustration). In this case, this is not an error message from the LICCON computer system, the error message appears only on the monitor because the connection between the monitor and the CPU is broken.

11.3 Start prevention

Starting the engine again after complete shut down of the LICCON computer system:

- Return the ignition switch **396** first to position „0“.
- Turn the ignition switch **396** to position „I“ (note the preheating time).
- Turn the ignition switch **396** briefly to position „II“.

Result:

- The engine starts.

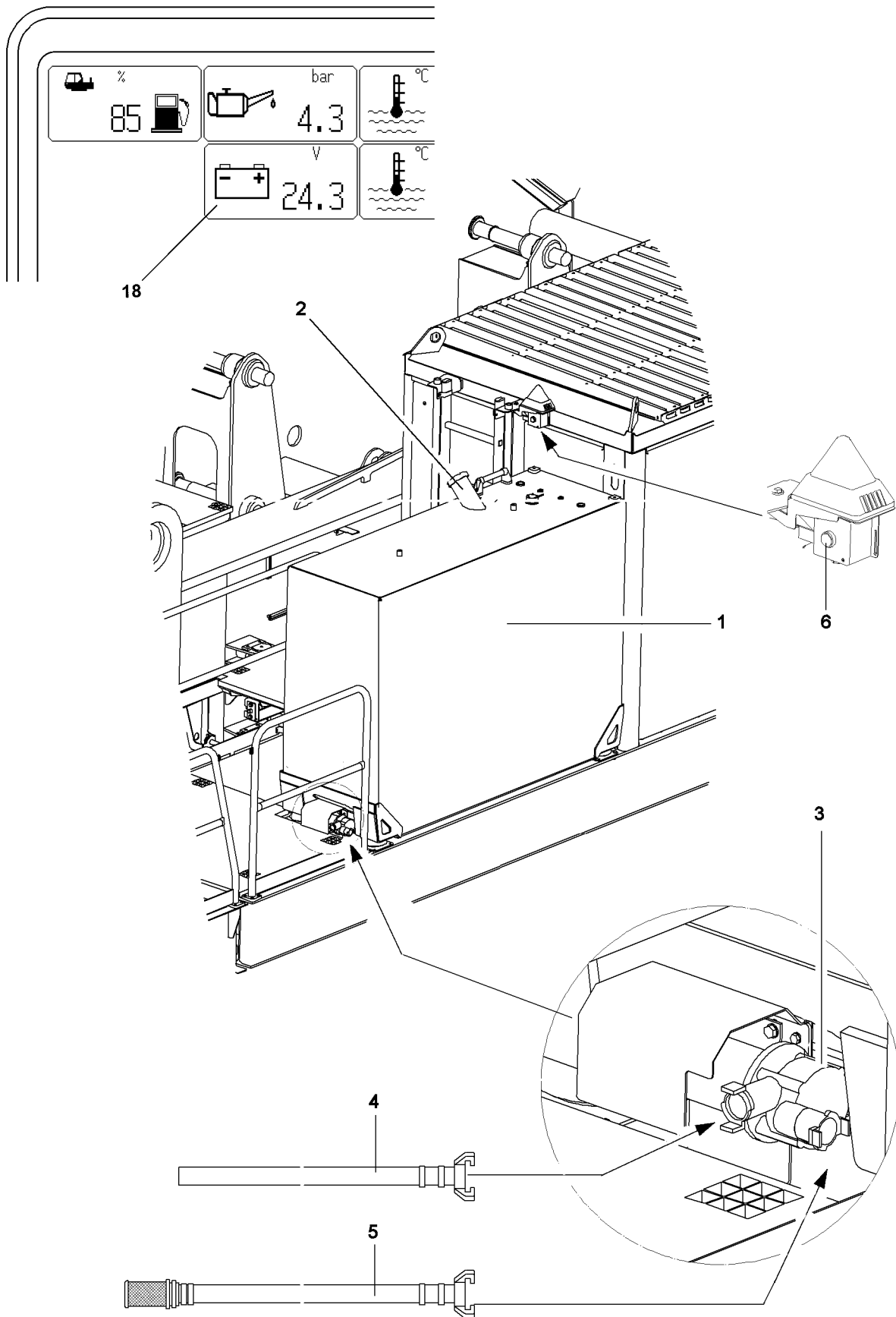


Fig.110810

LWE/LR 11350-005/19004-04-02/en

1 Checks before start up

Various checks must be performed before operating the crane.

1.1 Checking the oil level and filters

- ▶ Check the engine oil level.
- ▶ Check the oil level in the hydraulic tank.
- ▶ Check the filter on the hydraulic tank.

1.2 Checking the fuel level



Note

Bleed the fuel system.

If the fuel tank has been run dry, then the fuel system must be bled.

- ▶ Do not run the fuel tank dry.

On the LICCON monitor, the tank content is given in the form of a numerical display in percent [%].

- ▶ Check the tank contents on LICCON monitor.

1.3 Filling the fuel tank

To refill fuel from a tanker, connect the tank hoses on the tank pump.

- ▶ Connect tank hose **4** and tank hose **5** on the tank pump **3**.
- ▶ Insert tank hose **4** into filler pipe **2**.
- ▶ Direct tank hose **5** to the tank car.
- ▶ Actuate the tank pump **3**: Press the button **6**.
- ▶ Check the tank contents on LICCON monitor.

1.4 Checking the coolant level



WARNING

Danger of injury due to scalding of the skin!

- ▶ Check the coolant level only when the engine is cold.

The coolant expansion tank must be filled up to overflow on the filler neck.

- ▶ Check the coolant level.

1.5 Checking the battery voltage



Note

The battery voltage must be checked in regular intervals - especially if the crane has been „out of service“ for a longer period of time and users, such as the airplane warning light are turned on - and the battery must be recharged if necessary!

- ▶ Recharge the battery, see Crane operating instructions, chapter 7.05!



Note

Reduced battery performance requires greater power requirements!

- ▶ Ensure that batteries are well charged, particularly during the colder months!

- ▶ Check the battery voltage, see icon **18**.

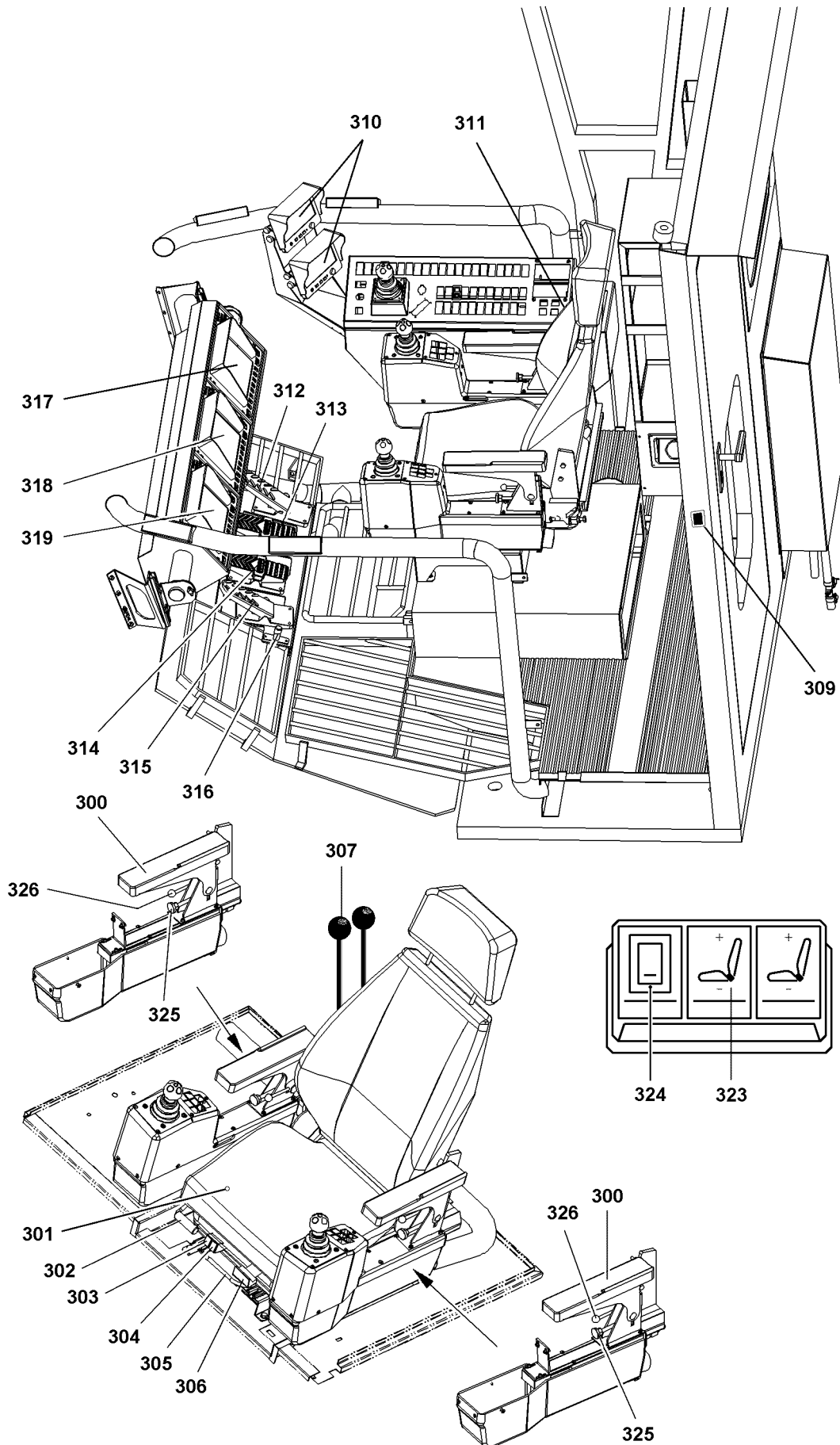


Fig.102765

LWE/LR 11350-005/19004-04-02/en

1.6 Checking the central lubrication system

The grease container must always be filled with grease as specified in the lubrication chart, see Crane operating instructions, chapter 7.05.

- ▶ Check the grease container.

1.7 Checking the general condition of the crane



DANGER

Danger of accident due to falling parts!

- ▶ Before raising the boom, check that there are no loose parts on the main boom and / or the auxiliary boom, such as pins, spring retainers or ice.
- ▶ Check if the crane is horizontally aligned.
- ▶ Check if the gear ring of the slewing ring connection is clean and greased.
- ▶ Check if the air supply to the oil and water cooler is clear.
- ▶ Check if the side covers are closed and locked.
- ▶ Ensure that there are no people or objects within the danger zone of the crane.
- ▶ Make sure that the cable / rope drum and the limit switches are free of snow and ice.
- ▶ Make sure that there are no loose parts on the superstructure and the boom.

2 Work station - Crane operator's cab

2.1 Adjusting the crane operator's seat

The crane operator's seat can be adjusted to suit different body sizes.

- ▶ With the lever **302** adjust the seat incline.
- ▶ With the lever **302** adjust height of seat.
- ▶ With the button **303** adjust the pneumatic lumbar support in lower part of backrest.
- ▶ With the button **304** adjust the pneumatic lumbar support in upper part of backrest.
- ▶ Unlock the horizontal seat adjustment with the bar **305**.
- ▶ With the lever **306** adjust the angle of the backrest.
- ▶ Set with adjusting screw **325** to adjust angle of armrests.
- ▶ Set with lever **326** to adjust height of armrests.

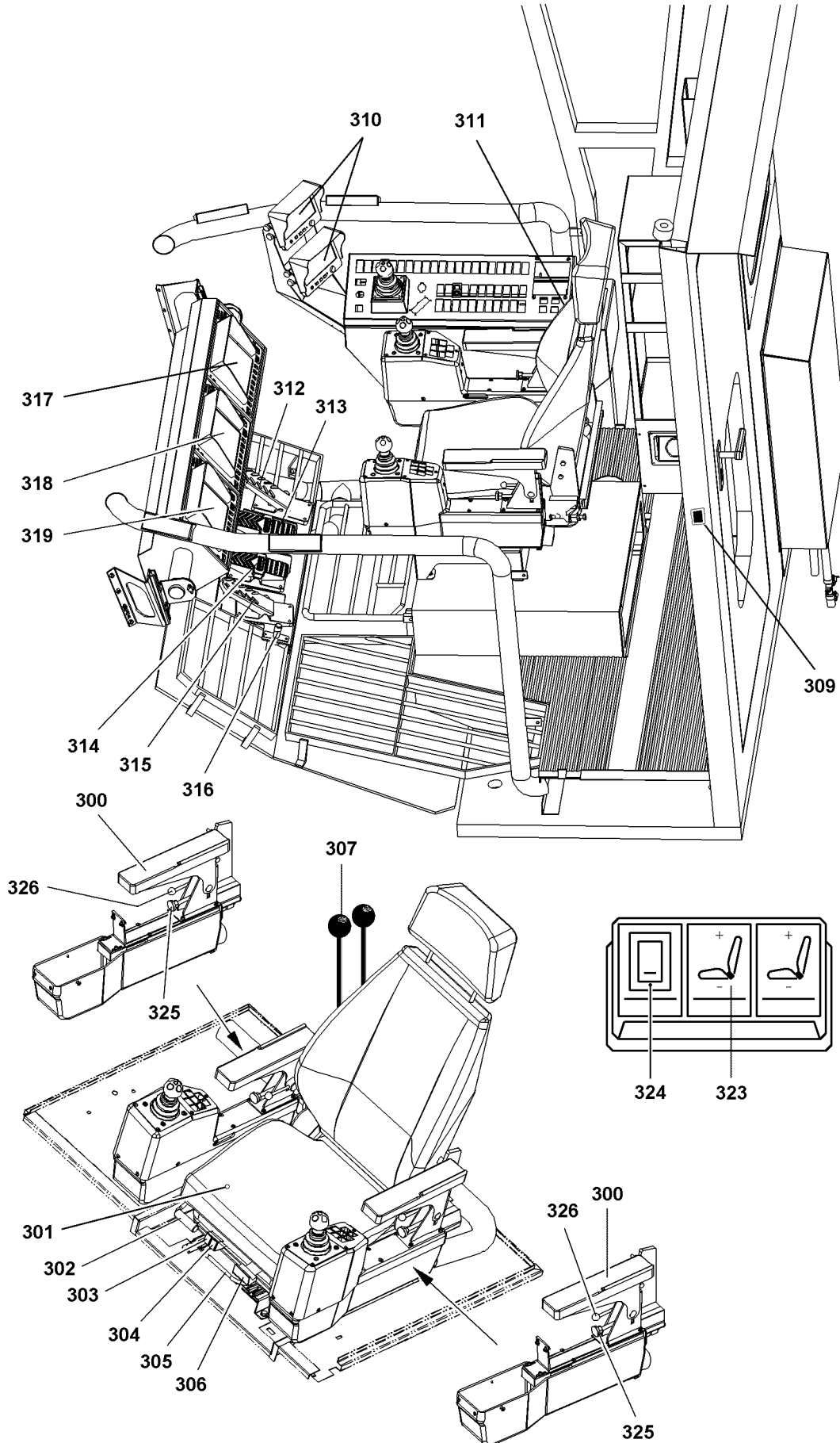


Fig.102765

LWE/LR 11350-005/19004-04-02/en

2.2 Turning the seat heater* on

- ▶ Actuate the switch **324**.

Result:

- The seat is heated.

2.3 Turning the heater and climate control on

The crane operator's cab can be heated or ventilated, depending on the desired temperature. For a detailed description see Crane operating instructions, chapter 6.01.

2.4 Suspension backrest*

- ▶ Press the button **323**.

Result:

- The suspension of the backrest is adjusted.

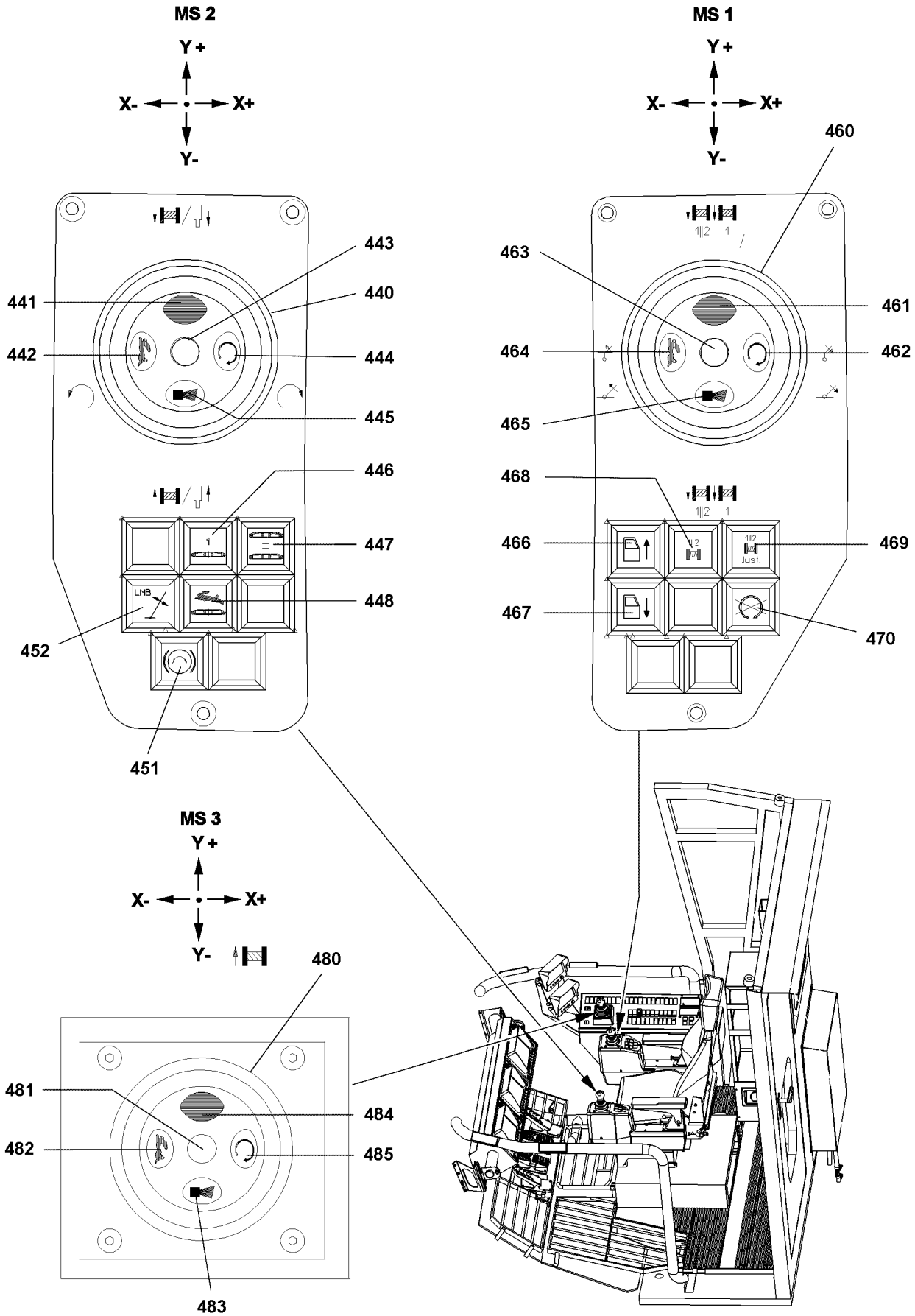


Fig.102768

LWE/LR 11350-005/19004-04-02/en

2.5 Tilting the crane cab

To give the crane driver a better field of vision, the cab can be tilted upwards.

When you have finished working with the crane, set it to horizontal.

2.5.1 Tilting the cab upward

- ▶ Press the button **466**.

Result:

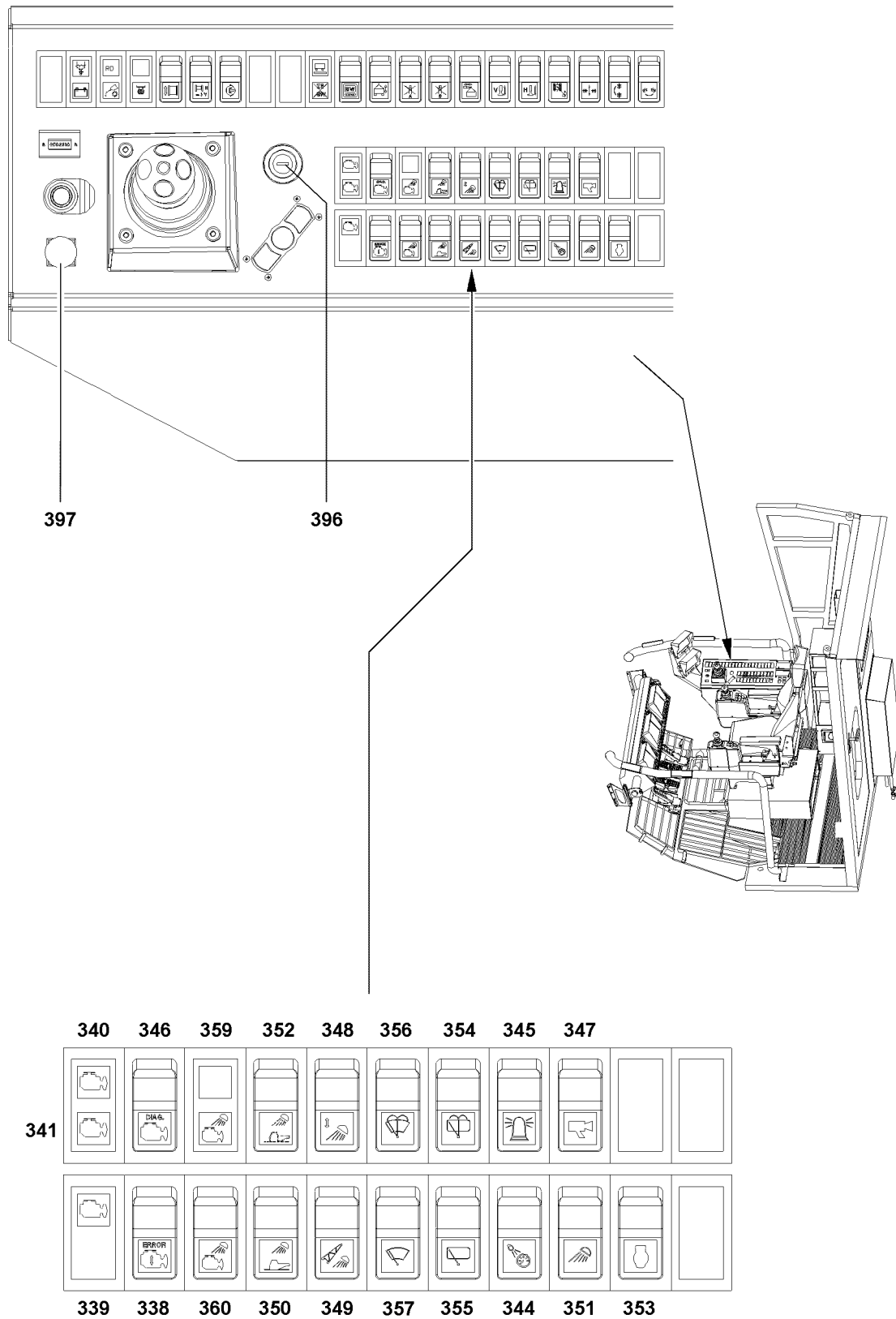
- The cab swings upward.

2.5.2 Setting the cab to horizontal position

- ▶ Press the button **467**.

Result:

- The cab swings downward.



LWE/LR 11350-005/19004-04-02/en

Fig.113071

2.6 Operating the windshield wiper / windshield washer system

2.6.1 Operating the windshield wiper

The windshield wipers for the front and the roof window are operated with a 2-stage switch (first stage - intermittent, second stage - continuous wipe).

To activate the windshield wiper on the front window:

- ▶ Actuate the switch **357**.
- or**

To activate the windshield wiper on the roof window:

Actuate the switch **355**.

2.6.2 Operating the windshield washer system

The windshield wipers on the front and roof windows can be assisted by a windshield washer system.

Before the start of the cold season, fill the container for the window washer fluid with standard anti-freeze mix.

To activate the windshield washer system for the front window:

- ▶ Press the button **356**.
- or**

To activate the windshield washer system for the roof window:

Press the button **354**.

2.7 Opening the roof window



WARNING

Danger of injuring hands if they become trapped!

- ▶ Watch your hands when closing the roof window.

A pair of nitrogen gas cylinders support the lifting movement of the roof window.

- ▶ To open from inside, press on the roof window.
- or**

If you only want to partly open the window:

Use the attached perforated strap to set the desired opening angle.

2.8 Checking the horn



Note

Use of horn!

- ▶ Only use the horn in dangerous situations to maintain its warning effect.

- ▶ Before starting work, check that the horn is functioning.

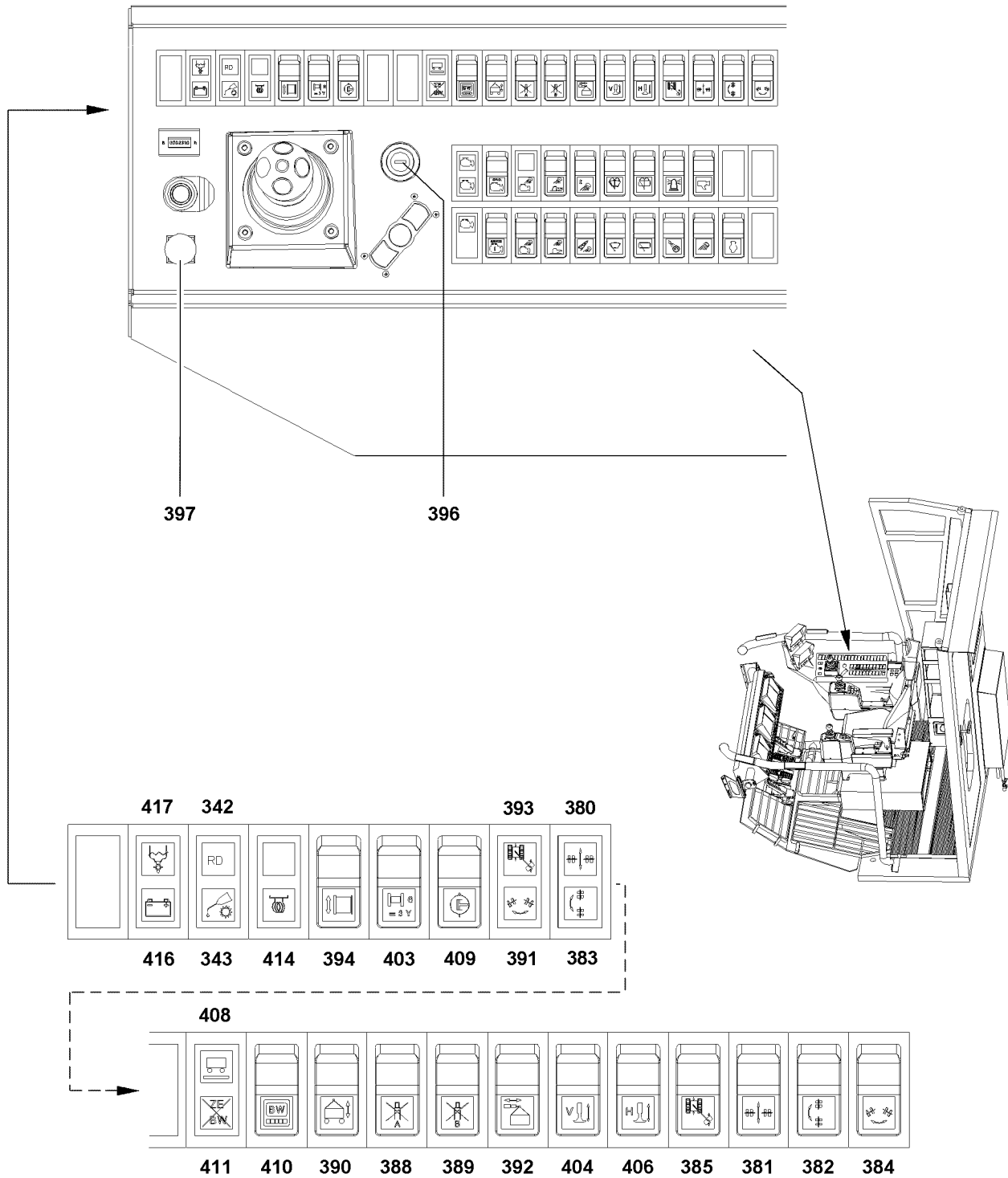


Fig.113072

LWE/LR 11350-005/19004-04-02/en

3 Starting and stopping the engine

The engine must be operated according to the separately supplied Engine operating instructions.



Note

- ▶ If the engine is started while cold - for example at low temperatures, let the engine run for several minutes in low idle speed!
- ▶ The low idle speed of the engine is increased at first after a cold start, but regulates itself with increasing engine operating time!
- ▶ During the warm up phase of the engine, the full engine power is not available!

Make sure that the following prerequisite is met:

- The battery master switch is turned on.

3.1 Starting the engine

- ▶ Turn the ignition switch **396** to position „I“.

Result:

- The control light **414** lights up.
 - The indicator light **416** lights up.
- The engine is ready to start.



Note

- ▶ The indicator light **414** turns off immediately at normal temperatures.
- ▶ In cold weather the indicator light **414** lights up for a longer period of time.
- ▶ Do not start the engine until the indicator light **414** has turned off.



CAUTION

Danger of property damage!

- ▶ Start the engine only if the indicator light **416** lights up and the indicator light **414** has turned off.
- ▶ Turn the ignition switch **396** to position „II“.
- ▶ Start the engine.



CAUTION

Damage to engine!

- ▶ Do not press down on the gas pedal during starting.
- ▶ Do not actuate the starter for longer than 30 seconds.
- ▶ Always wait for 2 minutes between starting attempts.
- ▶ Let the engine run for 3-5 minutes at low idle before placing a full load on the engine.
- ▶ Check the instruments after starting the engine.

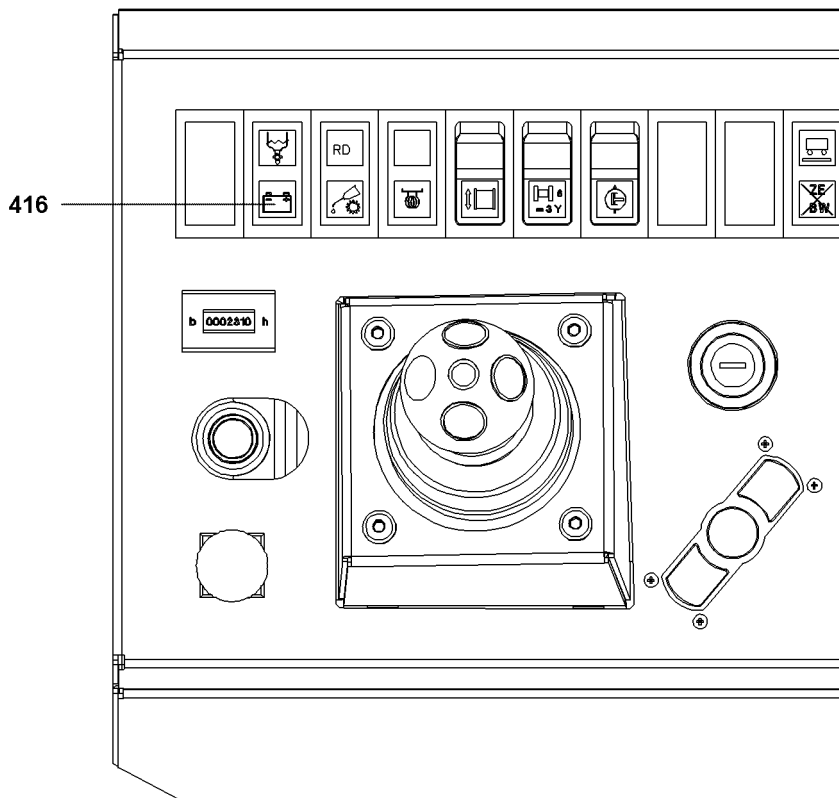
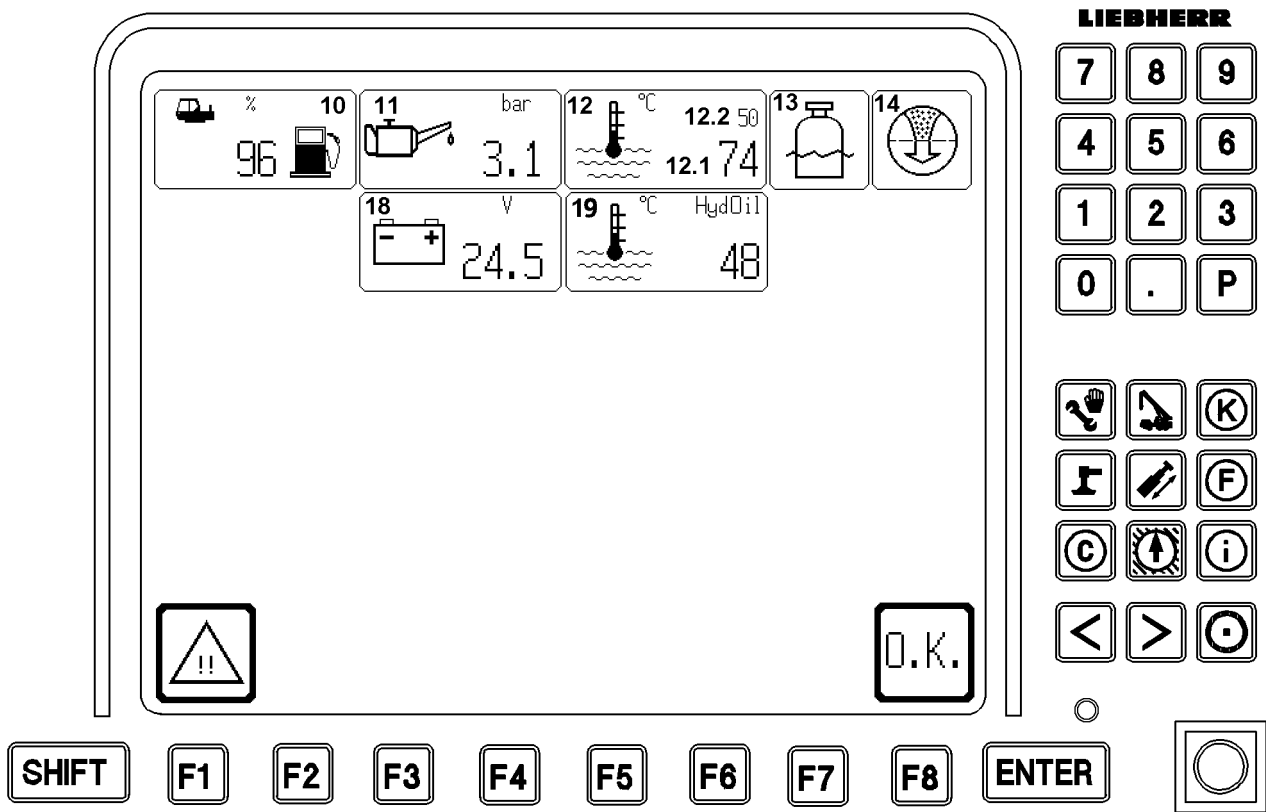


Fig.102879

LWE/LR 11350-005/19004-04-02/en

3.2 Checking the instruments after starting the engine

As soon as a stable voltage is present with the engine running, the electric crane control and the LICCON computer system are turned on automatically. A self-test of the microprocessor system follows and after a few seconds the set up screen appears on the monitor.

3.2.1 Checking the instruments on LICCON monitor

The following icons must turn off when the engine is running:

- ▶ Check the indicator light **416**.
- ▶ Check the icon **11** „Engine oil pressure“ on the LICCON monitor.

Problem remedy

Does the numerical display for the engine oil pressure in the icon **11** blink after approximately 10 seconds or does it start to blink during crane operation?

The engine oil pressure is too low. The engine can be damaged as a result of insufficient oil pressure.

- ▶ Turn the engine off immediately and determine the cause.

-
- ▶ Check the numerical display for the coolant temperature in the icon **12.1**.

Problem remedy

Does the numerical display for the „coolant temperature“ in the icon **12.1** blink during operation?

The coolant temperature is too high. Excessive coolant temperature can lead to engine damage.

- ▶ Turn the engine off immediately.

-
- ▶ Check the icon **10** for „fuel content“.
 - ▶ Check the icon **19** for „hydraulic oil temperature“.
 - ▶ Check the icon **12.2** for „charge air temperature“.
 - ▶ Check the icon **13** for „coolant level“.
 - ▶ Check the icon **14** for „air filter“.
 - ▶ Check the icon **18** for „battery voltage“.

3.3 Engine monitoring

See Crane operating instructions, chapter 4.02.

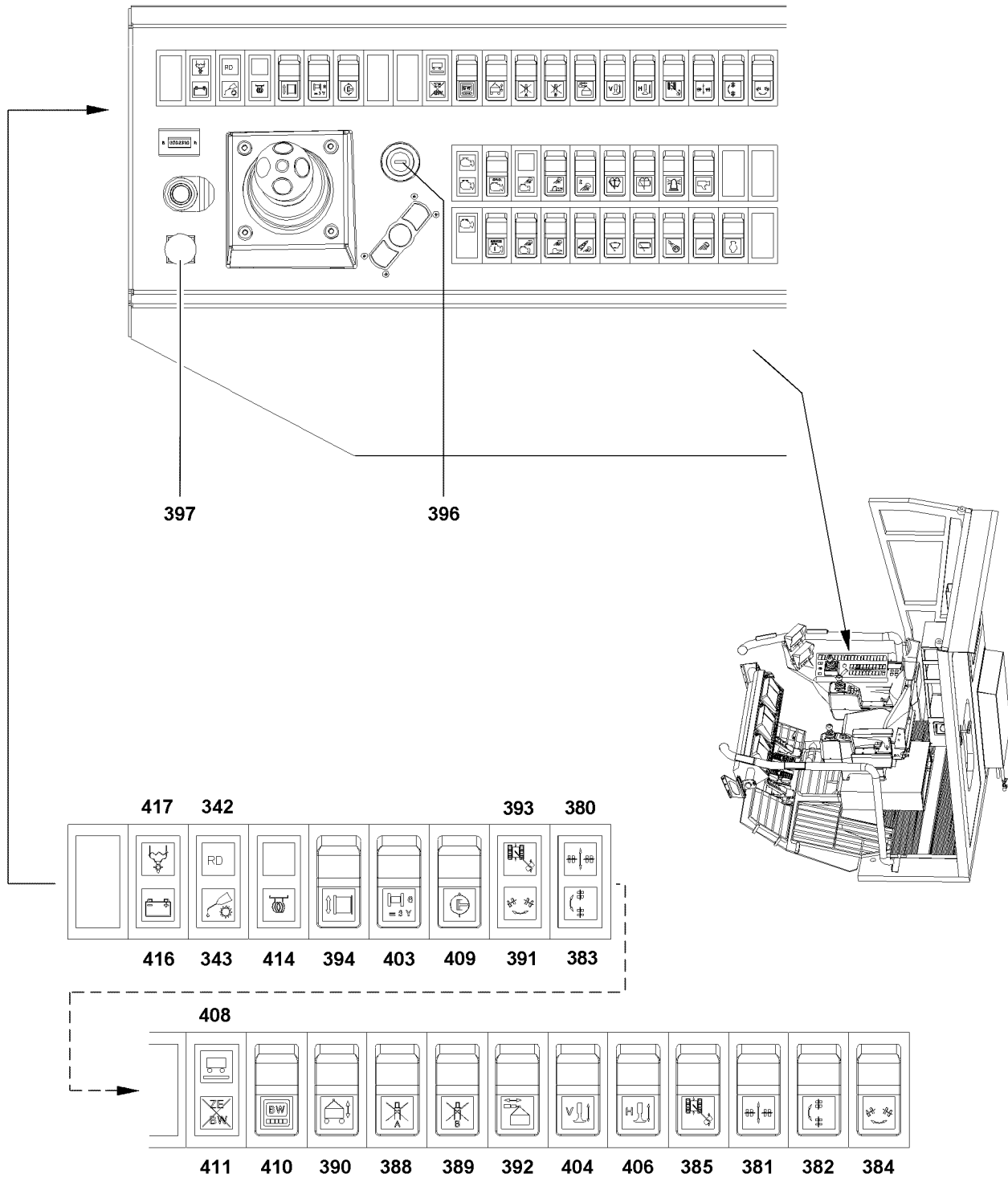


Fig.113072

LWE/LR 11350-005/19004-04-02/en

3.4 Turning the engine off

3.4.1 Turning the engine off

After operation with full engine load, let the engine run without a load for 3-5 minutes at low idle rpm.

- ▶ Turn the ignition switch **396** back to the stop.
- ▶ Pull the ignition switch **396** off and store in a safe place.

**Note**

- ▶ Turn the engine off with the button **470** into „Stand by“ mode, see Crane operating instructions, chapter 4.02!
-

3.4.2 Turning the engine off in the event of danger

**CAUTION**

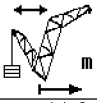
Operating the emergency off switch

- ▶ Only use the emergency off switch **397** in the event of a clear emergency. Use of the emergency off switch **397** for normal operation is not permitted!
-


- ▶ Press the emergency off switch **397**.

Result:


- The crane will be turned off immediately.




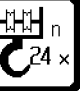
	m > t		CODE >XXXX< UXXX YYZZ .1(2)				
	48 ⁰	48 ⁰	48 ⁰	48 ⁰	48 ⁰	48 ⁰	48 ⁰
14,0	! 356,0	! 455,0	! 554,0	! 586,0	! 586,0	! 586,0	! 586,0
16,0	356,0	455,0	554,0	586,0	586,0	586,0	586,0
18,0	315,0	404,0	493,0	562,0	574,0	574,0	574,0
20,0	282,0	363,0	444,0	519,0	551,0	562,0	562,0
22,0	255,0	329,0	403,0	477,0	514,0	538,0	543,0
24,0	232,0	300,0	369,0	438,0	474,0	508,0	527,0
26,0	212,0	276,0	340,0	403,0	441,0	474,0	497,0
28,0	195,0	255,0	314,0	374,0	410,0	442,0	466,0
30,0	180,0	236,0	292,0	348,0	383,0	414,0	436,0
32,0	167,0	220,0	273,0	326,0	359,0	388,0	405,0
* n *	* 13 *	* 17 *	* 21 *	* 22 *	* 22 *	* 22 *	* 22 *
1(63)							>>
xx	87,0	87,0	87,0	87,0	87,0	87,0	87,0
yy	15,0	15,0	15,0	15,0	15,0	15,0	15,0
zz	0,0	100,0	200,0	300,0	400,0	500,0	600,0



xx° SDB
48m W
36m


 200
t


 yy m


 n
24 x

O.K.

LIEBHERR

7

8

9

4

5

6

1


2


3

0


.


P






K





F

C



i

<

>

⊙

○

SHIFT

F1

F2

F3

F4

F5

F6

F7

F8

ENTER

○

Fig.199902

4 LICCON computer system after engine start

The LICCON computer system is operational.

4.1 Waiting for the boot up phase

After being turned on, the LICCON computer system boots up and carries out a self-test, see Crane operating instructions, chapter 4.02.

- ▶ Wait for the boot up phase.

Result:

- The operating mode preselection appears.
- The set up screen appears on the LICCON monitor.
- Normally, the most recently set equipment configuration and reeving number will be displayed.

If a master switch is moved away from the zero position during the boot up phase, then the function circuit of the electrical safety chain is interrupted.

In this case:

- ▶ Turn the engine and ignition off and start again.

Problem remedy

An error message appears on the LICCON monitor?

- ▶ Turn the engine and ignition off and start again.
 - ▶ The LICCON computer system automatically displays the error determination screen.
-

Problem remedy

The LICCON monitor does not show the most recently set set up configuration and reeving number? If there has been a data loss in the memory (cold start), then the first valid set up configuration appears in the set up screen. The reeving number is set to „0“.

- ▶ Set the set up configuration and reeving number again.
-

4.2 Taking over the previously selected set up configuration and hoist rope reeving

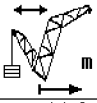
Check in the operating screen if the correct short code and the correct reeving number have been set, see Crane operating instructions, chapter 4.02.

If the settings on the operating screen are correct:


- ▶ Press the function key **F8**.

Result:

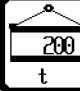
- The „Set up“ program is terminated and the adjusted parameters are accepted for the newly started „Operation“ program.





	m > t		CODE >XXXX< UXXX YYZZ .1(2)				
	48 ⁰	48 ⁰	48 ⁰	48 ⁰	48 ⁰	48 ⁰	48 ⁰
14,0	! 356,0	! 455,0	! 554,0	! 586,0	! 586,0	! 586,0	! 586,0
16,0	356,0	455,0	554,0	586,0	586,0	586,0	586,0
18,0	315,0	404,0	493,0	562,0	574,0	574,0	574,0
20,0	282,0	363,0	444,0	519,0	551,0	562,0	562,0
22,0	255,0	329,0	403,0	477,0	514,0	538,0	543,0
24,0	232,0	300,0	369,0	438,0	474,0	508,0	527,0
26,0	212,0	276,0	340,0	403,0	441,0	474,0	497,0
28,0	195,0	255,0	314,0	374,0	410,0	442,0	466,0
30,0	180,0	236,0	292,0	348,0	383,0	414,0	436,0
32,0	167,0	220,0	273,0	326,0	359,0	388,0	405,0
* n *	* 13 *	* 17 *	* 21 *	* 22 *	* 22 *	* 22 *	* 22 *
1(63)							>>
xx	87,0	87,0	87,0	87,0	87,0	87,0	87,0
yy	15,0	15,0	15,0	15,0	15,0	15,0	15,0
zz	0,0	100,0	200,0	300,0	400,0	500,0	600,0



xx° SDB
48m W
36m


 200
t


 yy m


 n
24 x

O.K.

LIEBHERR

7

8

9

4

5

6

1


2


3

0


.


P






K





F

C



i

<

>

⊙

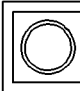


Fig.199902

4.3 Setting a new set up configuration and new hoist rope reeving

The selected and displayed set up configuration can be changed with the function keys or by entering the short code.

4.3.1 Setting a new set up configuration with the function keys

- ▶ Press the function key **F2** until the desired main geometry status is selected.
- ▶ Press the function key **F3** until the desired accessory status is selected.
- ▶ Press the function key **F4** until the desired counterweight is selected.
- ▶ Press the function key **F5** until the desired derrick ballast weight is selected.



Note

- ▶ The function key **F5** is only functioning in operating modes with derrick.

- ▶ Press the function key **F6** until the desired slewing range is selected for crane operation **without** derrick ballast.
- ▶ Press the function key **F6** until the derrick ballast radius or the derrick ballast weight is selected for crane operation **with** derrick ballast.
- ▶ Press the **ENTER** key.
- ▶ Check the set load chart.

4.3.2 Setting a new set up configuration with short code

The short code can be found in the load chart.

- ▶ Entering the 4-digit short code with the keypad **A**.
- ▶ Confirm with the **ENTER** key.

Result:

- The data of the selected load chart can be viewed.

For a more detailed description of the „Set up“ program, see Crane operating instructions, chapter 4.02.

- ▶ Check the set load chart.

4.3.3 Setting a new hoist rope reeving

- ▶ Press the function key **F7** until the desired reeving number is selected.
- or
- ▶ Press the function key **SHIFT** and the function key **F7** until the desired reeving number is selected.

4.3.4 Checking and accepting the new set up configuration and hoist rope reeving

If the settings on the set up screen are correct:

- ▶ Press the function key **F8**.

Result:

- The „Set up“ program is terminated and the adjusted parameters are accepted for the newly started „Operation“ program.
- ▶ Check in the operating screen if the correct short code and the correct reeving number have been set, see Crane operating instructions, chapter 4.02.

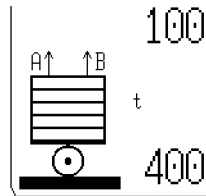
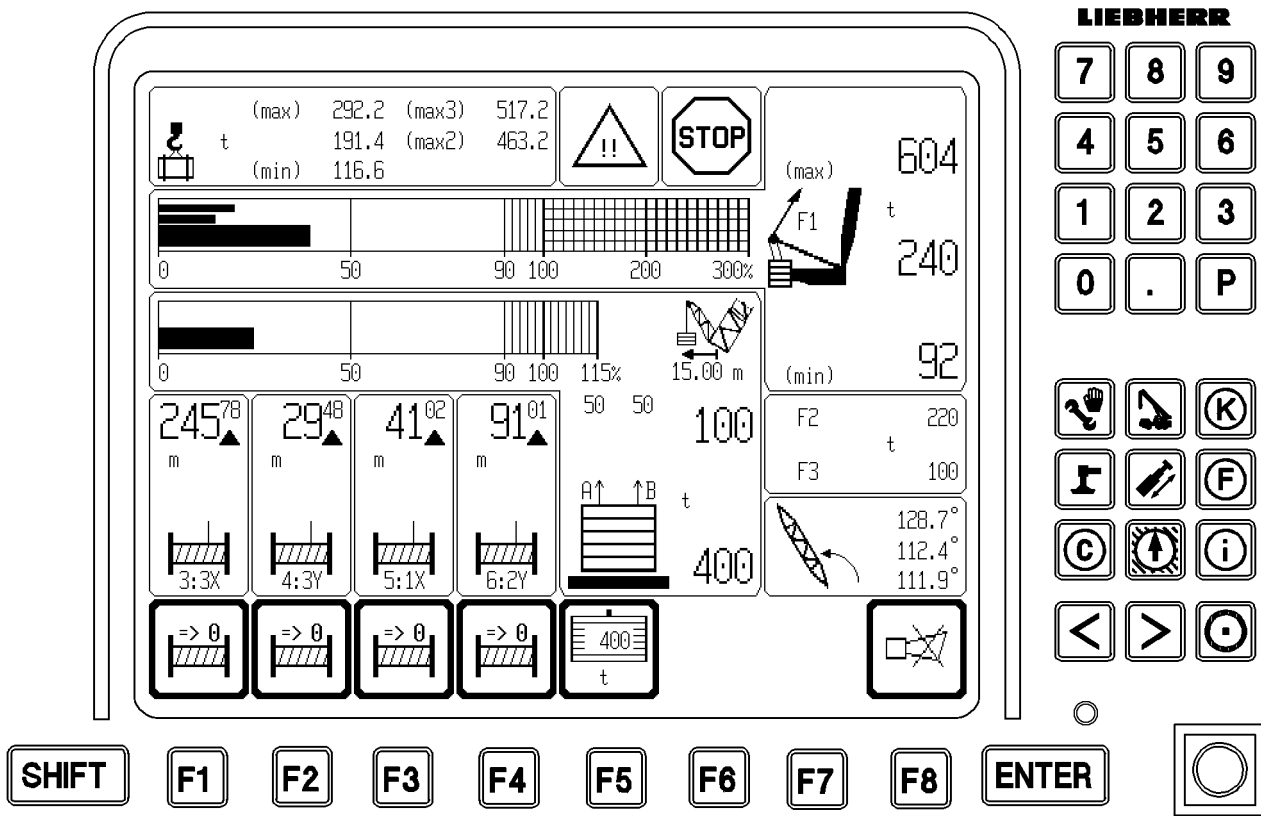


Fig.104480

4.4 Adjusting the control parameters



Note

- ▶ For detailed description to adjust the control parameters, see Crane operating instructions, chapter 4.02.

4.5 Adjusting the derrick ballast



Note

- ▶ The entry of the derrick ballast is made on the LICCON monitor 1 with key **F5**, see Crane operating instructions, chapter 4.02.



CAUTION

Danger of accident due to incorrect derrick weight entry!

- ▶ For operation with derrick ballast, always set the current size of the derrick ballast. This includes the weight of the empty ballast pallet or the empty ballast trailer and the weight of the placed derrick ballast plates.



DANGER

Risk of accident!

- ▶ The set derrick ballast value must match the actually installed derrick ballast weight. If a derrick ballast value is set, which is too low, then the derrick ballast utilization display is too large. If a derrick ballast value is set, which is too large, then the derrick ballast utilization display is too small and the ballast utilization dependent safety shut offs of test point 1 (F1min) are ineffective.



Note

- ▶ During ballast editing, the remaining monitor displays cannot be actualized. The operating view on the monitor is frozen for that time and may possibly simulate incorrect facts. Therefore: Complete ballast editing quickly. If a manual control lever is actuated during ballast editing, then ballast editing is automatically aborted. The old value of the placed ballast (BA_placed) remains in the ballast icon.

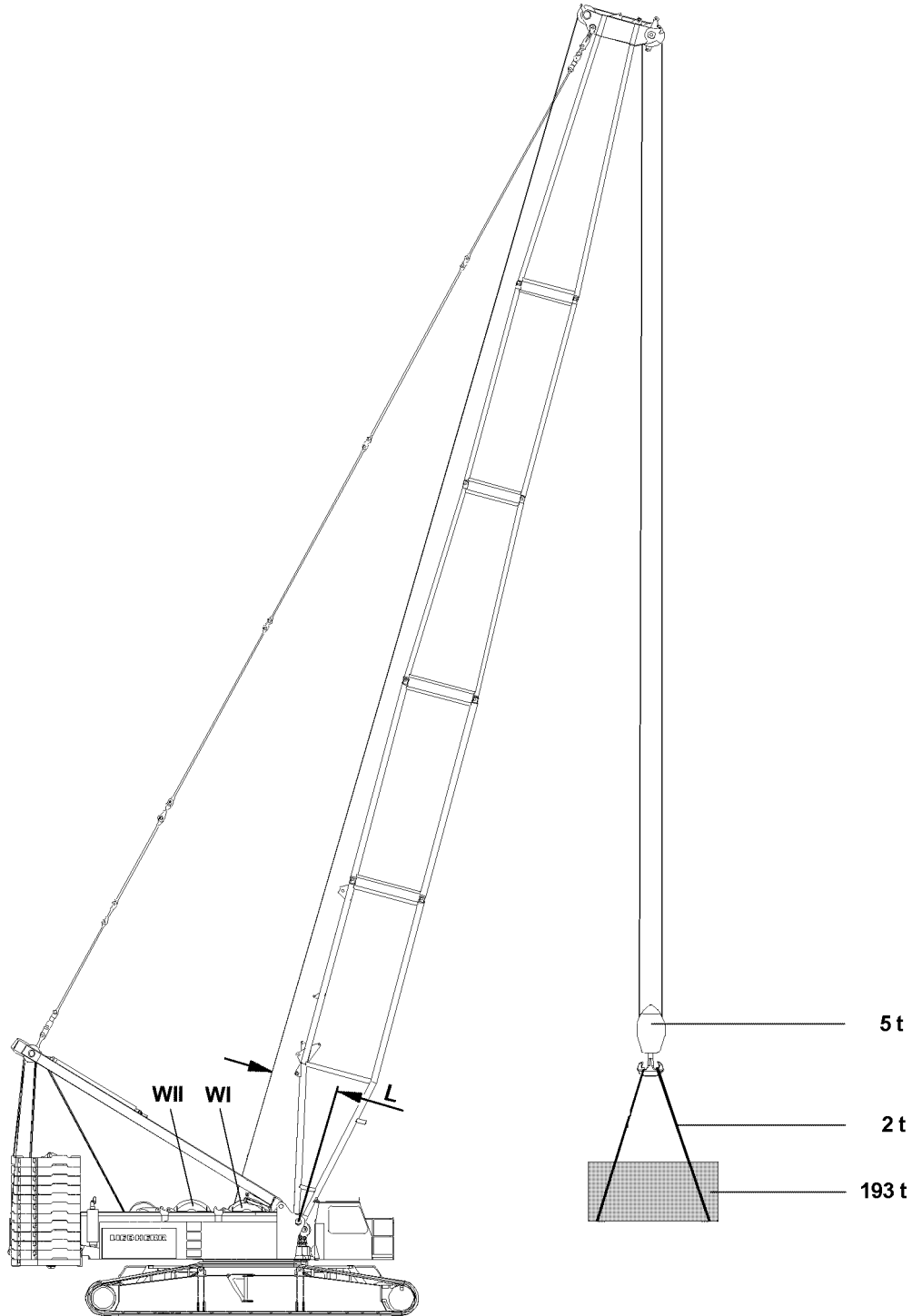


Fig.103667

LWE/LR 11350-005/19004-04-02/en

5 Load weighing and load display

Included in the load capacities given in the load charts are the weights of the load carrier, load take up equipment and fastening equipment.



Note

- ▶ The weight of the hook block and the weights of the fastening equipment must be subtracted from the load given in the load chart.

Example:		
Maximum permissible load according to chart		200 t
Weight of the hook block	5t	- 5 t
Weight of the fastening rope	2t	- 2 t
Actual load capacity of the crane		= 193 t

In this case, the load to be lifted may not exceed **193 t**.



Note

- ▶ In the LMB calculation, the lever arm to the winch **2** is not used, but always the lever arm **L** to the winch **1**.
- ▶ For that reason, to ensure an exact load weighing to lift the load on the main boom and on the fixed accessories (for example the fixed jib), winch 1 must be used.



DANGER

Danger of accidents due to overload!

In case of inaccurate load weighing or load display, a danger exists due to unrecognized overload of the crane!

- ▶ The crane operator must know the weight, the center of gravity and the dimensions of the load to be lifted before operating the crane.
- ▶ The crane operator must check, before lifting the load, if he may even lift the load according to the data in the load chart.

Fig.195219

LWE/LR 11350-005/19004-04-02/en

5.1 Load weighing

Make sure that the following prerequisites are met:

- The angle sensors are functioning.
- The incline sensors are functioning.
- The turn sensor in the turntable is functioning.
- The pressure sensors are functioning.
- The pull sensors are functioning.

The boom position where the relapse cylinders are actuated must be recognized by the LICCON exactly via the sensors, because otherwise the relapse cylinders have a strong effect on the load - weighing error.



Note

- ▶ If only one of these sensors is not functioning, the LEC error display is issued, then the load display and the load weighing are not exact.
- ▶ The calculation is made anyway, but the result is not exact.

5.1.1 Possible weighing errors

For an exact load weighing, exact signals of the pull test bracket, angle sensor, incline sensors and pressure sensors are required.

Since all sensor values are always within a certain tolerance, a weighing error can occur.

The weighing error is increasingly larger if:

- The hoist winch sits in the turntable instead of in the main boom.
- The reeving is small.
- The hoist winch sits far to the rear in the turntable.
- Several hoist winches are used (parallel operation).
- The boom, on which the load is suspended, is short.
- The boom, on which the load is suspended, is standing steeply.



DANGER

Danger of accidents due to overload!

Overload due to weighing error!

- ▶ When the prerequisites for small weighing errors not given, special caution must be exercised.

5.1.2 Adjustment of reeving

The number of reevings must be correctly set on the LICCON. The reeving should not be higher than the nominal reeving, otherwise the hoist ropes reeved above the nominal reeving count as part of the load.



Note

- ▶ The nominal reeving determines for which maximum reeving the load chart values of a load chart are valid.
- ▶ If the crane is in a position outside of the load chart, the hoist rope is added to the load, because no nominal reeving is recognized outside the load chart.

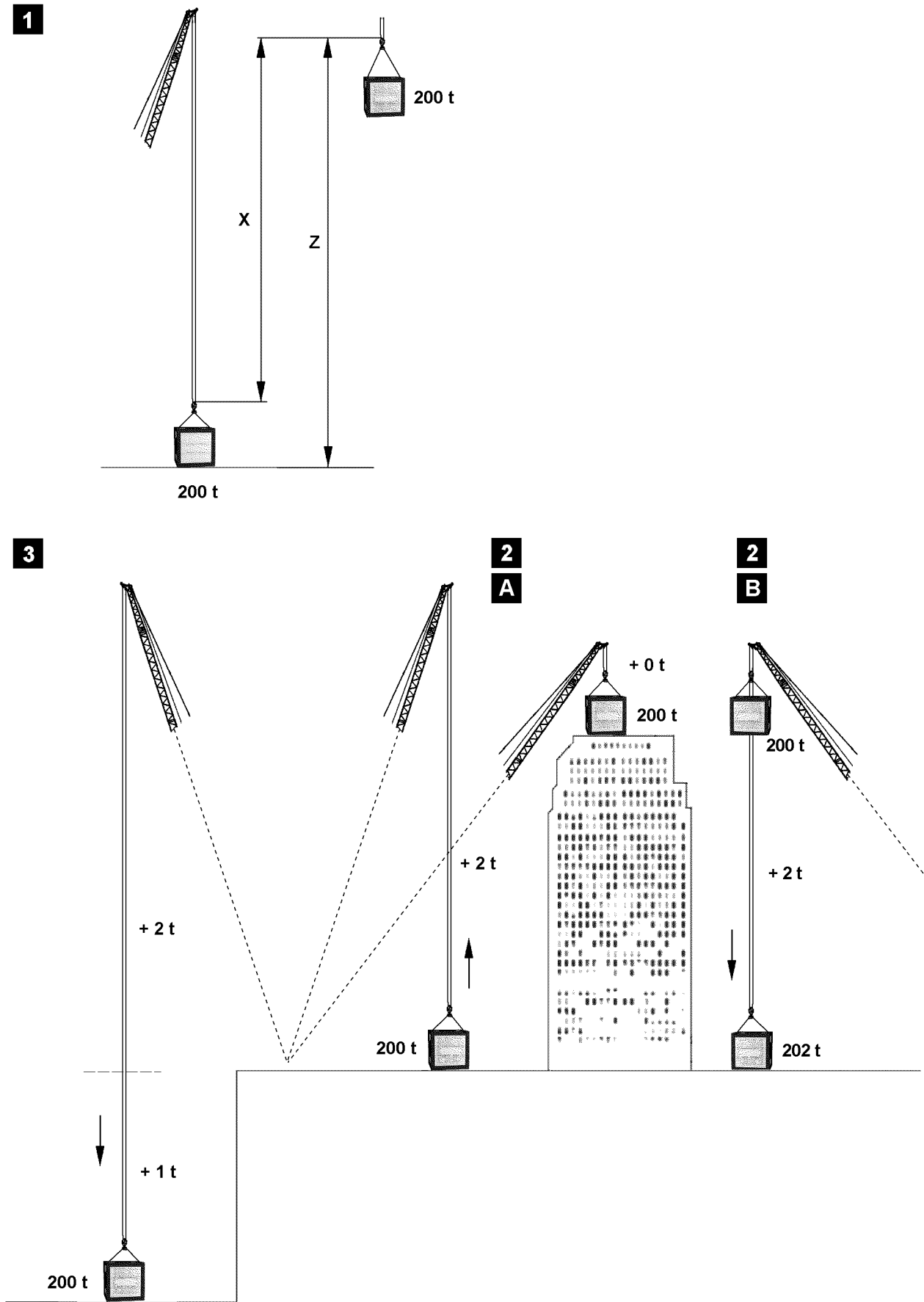


Fig.103643

LWE/LR 11350-005/19004-04-02/en

5.2 Load display

5.2.1 Lifting, illustration 1

For the calculation of the displayed actual load, total load **Z**, that hangs on the pulley head **X**, the weight of the hoist rope to the ground, see illustration 1.

In that case, the number of the reevings set on the LICCON are taken into account, but no more than the nominal reeving.



Note

- ▶ If the load is raised far above the ground, see illustration 1, then the load display is too small by the weight of the hoist rope from the load to the ground.

5.2.2 Lifting above ground level, illustration 2A

When the load is raised above the crane level (high rise), then the hoist rope to the ground is always deducted anyway for the display, therefore the load seems increasing lighter when lifting than it did on the ground.

Therefore a somewhat larger load can be lifted in large heights than on the ground, without triggering the LMB overload shut off at 100 %.

This poses no danger because the load stress for the crane is the same if, for example 200 t if load on the bottom and 2 t rope or 202 t load on top and 0 t rope hang on the pulley head.

5.2.3 Load take up on high rise, illustration 2B

When a load is taken up on the high rise on top (=100 %), for example 200 t, and then lowered to the ground, the weight of the hoist rope below the high rise level is calculated as load and displayed.

5.2.4 Lifting below ground, illustration 3

When a load is lowered below the crane level (excavation), then the hoist rope below the crane level is calculated as load and displayed.



DANGER

Danger of accidents due to overload!

It must be noted that the load display in illustration 2B and illustration 3 is correct, the overload of the crane is also shown in the utilization bar, but no shut off of the lowering movement occurs.

- ▶ At LMB overload, all crane movements are shut off, which would increase the danger of overload, however, lowering the load at 100 % -LMB shut off remains clear because one normally assumes that the overload was caused by lifting the load.
- ▶ However, the crane can also be overloaded by lowering the load, especially in case of high reevings with high hoist rope weight on the pulley head. The crane operator must know this, so that he can relieve the crane by careful lifting again in this special case, even though the lifting and not the lowering of the load is automatically shut off.

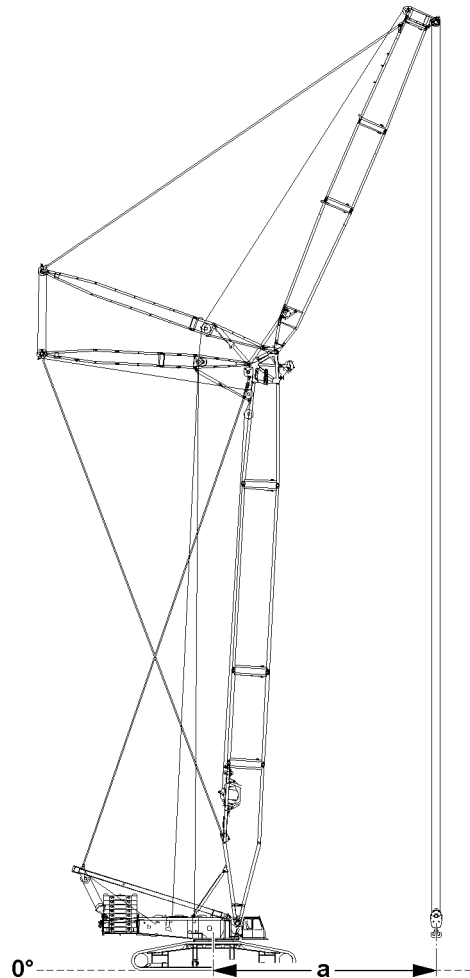
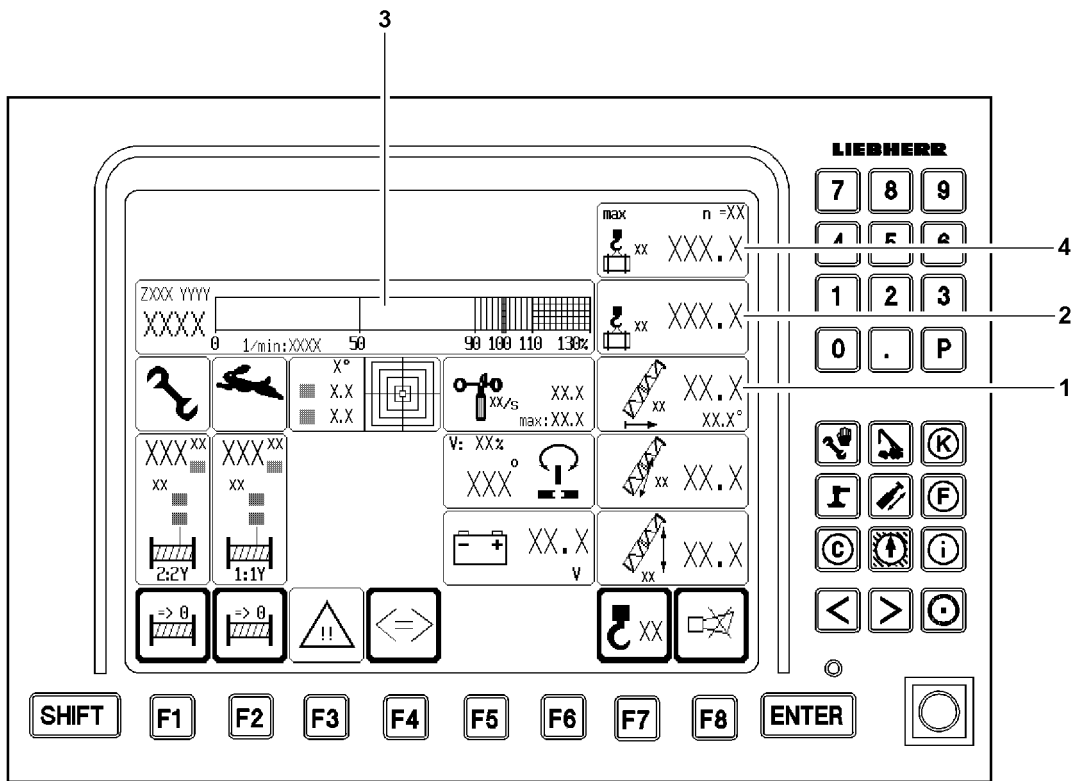


Fig.112968

LWE/LR 11350-005/19004-04-02/en

1 General

The crane operator is obligated before every crane operation to ensure that the warning and safety devices are functioning.



WARNING

Danger of accident due to defective warning and safety systems!

If the crane is operated with defective warning and safety devices, then there is a danger of accidents! Personnel can be killed or seriously injured!

This could result in property damage!

- ▶ Make sure that all warning and safety devices are functioning.
- ▶ Make sure that the overload protection is functioning.

2 Quick test Crane geometry

Make sure that the following prerequisites are met:

- The crane is aligned in horizontal direction.
- The set up status has been entered correctly into the LICCON computer system.
- There is no load on the hook.

Measure the horizontal distance of the load hook from the center of rotation of the crane superstructure on the ground:

- The value display radius **1** must match the measured value **a**.

3 Quick test Overload protection

Lift a known weight completely, such as the hook block or a counterweight plate and then set it down.

Make sure that the following prerequisite is met:

- The crane is aligned in horizontal direction.

The respective displayed values must be plausible:

- **2** Actual load display
- Utilization bar **3**: Ratio of value of Actual load display **2** to maximum load value **4**
- Example:
Value Actual load display **2** is 40 t.
Maximum load value **4** is 80 t.
Utilization bar **3** shows 50 %.

4 LICCON computer system

The LICCON computer system is a system for controlling and monitoring mobile cranes. In addition to the LICCON overload protection (Load torque limiter = LMB), there are a number of application programs that can be used for controlling and monitoring the crane movements. For a detailed description see Crane operating instructions, chapter 4.02 and chapter 4.20.

4.1 LICCON overload protection

The LICCON overload protection is programmed to **shut off** the crane movements if the permissible load moment is exceeded (LMB-STOP).

The LICCON overload protection may not be used as an operational shut off device for crane movements of any kind.

An overload protection cannot detect all occurring conditions by itself. Careful and diligent crane operation by the crane operator is important.

The basis for the calculation of the utilization of the crane are:

- The currently data and values recorded by the crane control.
- The set up configuration entered by the crane operator.

Direct influence has, for example:

- Failure of a test device (for example: Pull test brackets, angle sensor, pressure sensor).
- A set up configuration incorrectly entered by the crane operator.
- Environmental influences not considered (such as wind influence, ground with insufficient load bearing capability).
- Assembly and operating errors.



WARNING

Danger of accident due to assembly and operating errors!

Due to assembly and operating errors it is possible that the overload protection is not effective or shut off is delayed!

A set up configuration which deviates from the load chart cannot be detected by the overload protection!

Environmental influences which are not considered cannot be detected by the overload protection!

Dangerous situations and accidents can result!

Personnel can be killed or seriously injured!

This could result in property damage!

- ▶ Always assemble and operate the crane carefully!



WARNING

Operational utilization of the overload protection!

If the LICCON overload protection is utilized as an operational shut off device for crane movements, then there is a danger of accidents!

For example, crane movements can be shut off abruptly or uncontrolled!

The behavior of load and crane cannot be foreseen in such a case!

Personnel can be killed or seriously injured!

This could result in property damage!

- ▶ Do not use the LICCON overload protection as an operational shut off device for crane movements!



WARNING

Lifting of unknown loads!

The presence of the overload protection does not relieve the crane operator of his obligation for care and attention!

The crane may not only be operated according to the displays of the LICCON overload protection!

Lifting of loads with unknown weight and unknown properties can lead to accidents!

Personnel can be killed or seriously injured!

This could result in property damage!

- ▶ Before lifting a load, its weight and properties must be known to the crane operator!
- ▶ The crane operator must check with the load chart if the crane is able to carry out the work safely!

The LICCON computer system detects various values, which result in optical and acoustical warnings if exceeded:

Within the crane operator's cab:

- Acoustic warning „Horn / short horn“ on the LICCON monitor
- Optical warning „blinking value / display“ on the LICCON monitor

Outside the crane operator's cab:

- Acoustic warning via the horn on the slewing platform
- Optical warning via the warning light on the slewing platform

All warnings, even those which do not lead to an immediate shut off must be noted by the crane operator and personnel within the danger zone.

The overload protection can **not** detect (examples of cases):

- The hooking of the load or the load suspension equipment.
- Excessive retarding forces.
- Loads falling onto the rope.
- Angular pulling.
- Driving the crane on ground with large slope.
- Collapsing ground.

4.1.1 Failure of the overload protection



WARNING

Crane operation without overload protection!

If the LICCON overload protection is no longer functioning properly because of one or more errors, then there is a danger of accidents if crane operation is continued!

Due to operation of the crane with failed LICCON overload protection, the crane can be overloaded and collapse!

Personnel can be killed or seriously injured!

This could result in property damage!

- ▶ Crane operation without overload protection is prohibited!
- ▶ Do not take up crane operation again until the overload protection is functioning again!

A failed overload protection:

- Must be repaired before the crane can be operated again.
- May only be bypasses in emergency cases or emergency situations.

4.2 Bypass of overload protection

The overload protection can be bypassed in case of:

- Failure of the overload protection.
- In an emergency situation (according to EN 13000:2010).

4.2.1 Bypass of overload protection: Failure of the overload protection



Note

- ▶ Does **not** apply for cranes with CE-mark and configuration according to EN 13000:2010!

To bring the crane into safe condition after failure of a component required for the overload protection, it can be necessary that the overload protection has to be bypassed.



WARNING

Bypassed overload protection!

If the overload protection is bypassed, crane movements are no longer monitored!

The crane can be overloaded and collapse!

Personnel can be killed or seriously injured!

This could result in property damage!

- ▶ Only carry out crane movements within the range of the load chart as well as the erection / take down charts!



Note

- ▶ For procedure in case of problems, see Crane operating instructions, chapter 7.15.
- ▶ For procedure of shut off of crane movement, see Crane operating instructions, chapter 4.20.

4.2.2 Bypass of overload protection: Failure of overload protection (according to EN 13000:2010)



Note

- ▶ Applies **only** apply for cranes configuration according to EN 13000:2010!

To bring the crane into safe condition after failure of a component required for the overload protection, it can be necessary that the overload protection has to be bypassed.

With the specification that:

- The bypass is automatically reset at engine stop.
- The bypass is automatically reset after no later than 30 minutes.
- The bypass of the overload protection limits the working speed to no more than maximum 15%.



WARNING

Bypassed overload protection!

If the overload protection is bypassed, crane movements are no longer monitored!

The crane can be overloaded and collapse!

Personnel can be killed or seriously injured!

This could result in property damage!

- ▶ Only carry out crane movements within the range of the load chart as well as the erection / take down charts!



Note

- ▶ For procedure in case of problems, see Crane operating instructions, chapter 7.15.
- ▶ For procedure of shut off of crane movement, see Crane operating instructions, chapter 4.20.

4.2.3 Bypass of overload protection: Emergency situation (according to EN 13000:2010)

In an emergency situation, a bypass of the overload protection may become necessary.

With the specification that:

- The bypass is automatically reset at engine stop.
- The bypass is automatically reset after no later than 30 minutes.
- The bypass of the overload protection limits the working speed to no more than maximum 15%.



DANGER

Overload of crane!

After a bypass of the overload protection, the crane movements are no longer shut off in case of a danger of overload of the crane!

A bypass of the crane can result in severe damage or collapse!

Personnel can be killed or seriously injured!

This could result in property damage!

- ▶ Do not subject the crane to such a load that it collapses!
- ▶ Clear and secure the danger zone of the crane!



Note

- ▶ Location of bypass device, see Crane operating instructions, chapter 4.01 and chapter 4.02.

Empty page!

LWE/LR 11350-005/19004-04-02/en

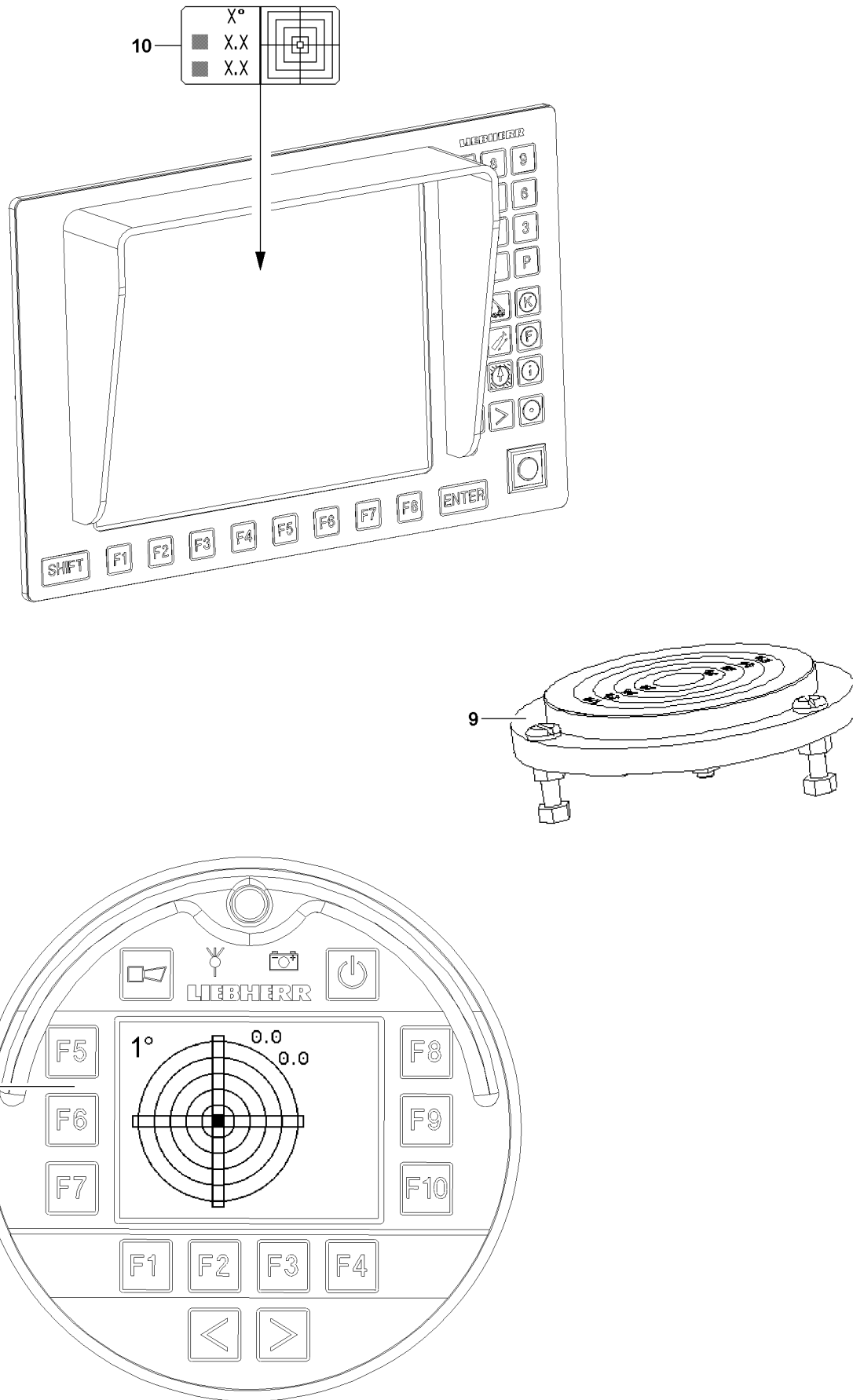


Fig.112969

5 Safety devices on the crane

5.1 Leveling instruments

To ensure the working safety of the crane, the crane must be aligned on level ground with sufficient load bearing capacity according to the load chart.

The current values are continuously shown in the Incline icon **10**, see Crane operating instructions, chapter 4.02.

The incline is shown manually in the sight gauge **9** on the crawler travel gear.



WARNING

The crane can topple over!

If the leveling instruments are defective or incorrectly adjusted, there is a danger that the crane is not aligned according to the load chart!

A crane which is not aligned according to the load chart can topple over!

Personnel can be killed or seriously injured!

This could result in property damage!

► Make sure to align the crane according to the load chart!

5.1.1 Leveling instruments in the LICCON monitor

The incline of the crane is shown in the Incline icon **10** graphically as well as numerically, see Crane operating instructions, chapter 4.02.

5.1.2 Leveling instrument in the BTT

Only LR1600/2-W.

The incline of the crane is shown in the Incline display menu **11** graphically as well as numerically, see Crane operating instructions, chapter 3.10 and chapter 5.31.

5.1.3 Quick test Leveling instrument



Note

The horizontal alignment of the crane can be checked with a spirit level on the top of the slewing ring, for example.

► The alignment of the top of the slewing ring is the determining factor for the incline display.

Make sure that the following prerequisites are met:

- The crane is aligned in horizontal direction.
- There is no load on the hook.

For horizontally aligned crane:

- The sight gauge **9** on the crawler travel gear must show 0°.
- In the incline icon **10** 0° must be shown.

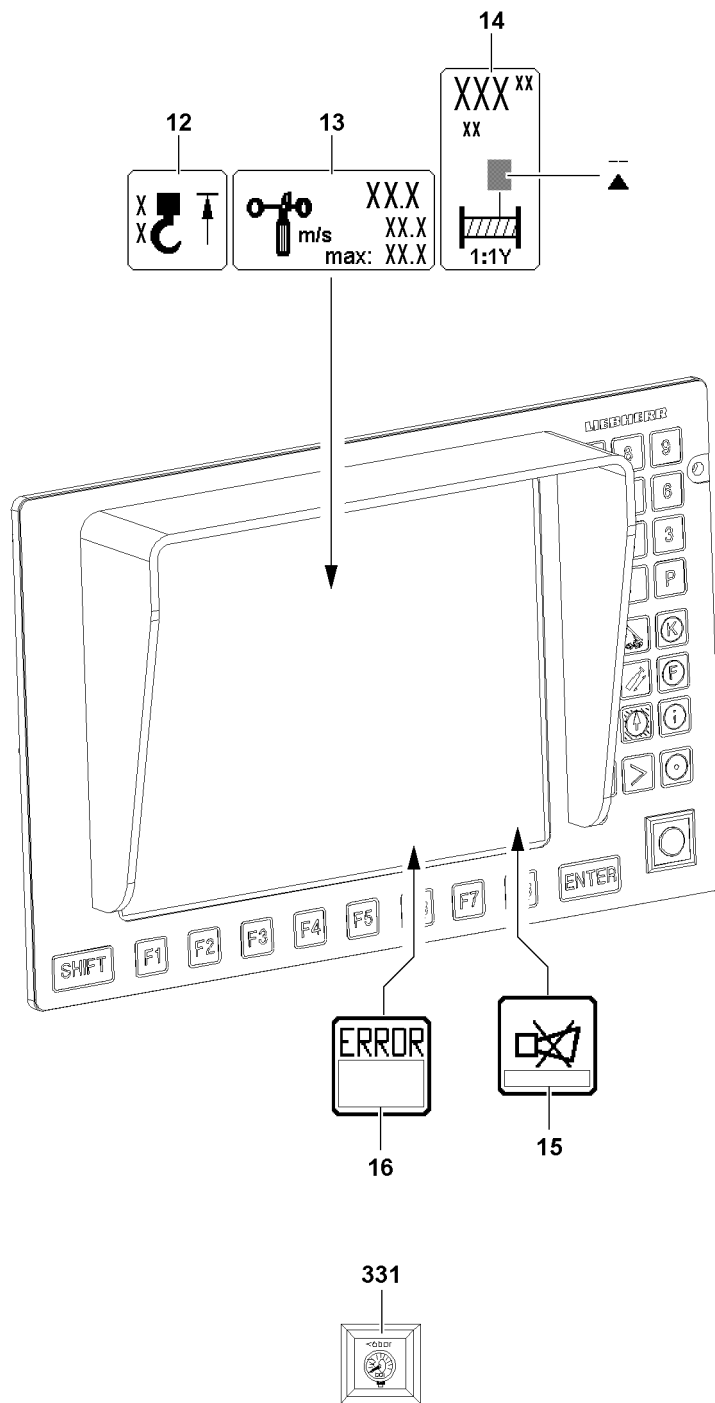


Fig.112972

5.2 Acoustic and optical warning devices



Note

► Overview of acoustic and optical warnings, see Crane operating instructions, chapter 4.20.

- The acoustic and optical warning devices must be functioning and operational.
- Take care of any possible detriments in function, such as snow on the warning lights.

5.3 Hoist limit switch „Hoist top“

The hoist limit switch is intended to prevent the hook block from running against the boom head.

Before every crane application, the function of the hoist limit switch must be checked by running against the switch weight with the hook block.

For installation purposes and in emergency cases, the hoist limit switch can be bypassed, see Crane operating instructions, chapter 4.20.



WARNING

Falling load and property damage!

If the hoist limit switch is defective, there is the danger that the hook block or the load hook is pulled against the pulley head!

Falling load and property damage can result!

Personnel can be severely injured or killed!

- Crane operation without or with defective hoist limit switch is prohibited!
- Repair or replace a defective hoist limit switch!

The hoist limit switch must actuate when the hoist limit switch weight is lifted by the load hook / hook block:

- When the hoist limit switch is actuated, the icon **12** „Hoist top“ appears in the operating screen. The crane movement „Spool winch up“ as well as other crane movements which have an influence on the hoist rope are shut off.

5.3.1 Quick test Hoist limit switch

When the hoist limit switch weight is lifted:

- The icon **12** „Hoist top“ must appear in the operating screen.
- The actuated crane movement must be shut off.

5.4 Error messages by the LICCON computer system

Two types are differentiated (all crane types except LR1400/2):

- Operating errors
 - Displayed in field **15** by error number / LEC: B.....
- System errors in LICCON computer system
 - Displayed in field **15** by error number / LEC: E.....

Only LR1400/2:

- Error messages
 - Displayed in field **16**

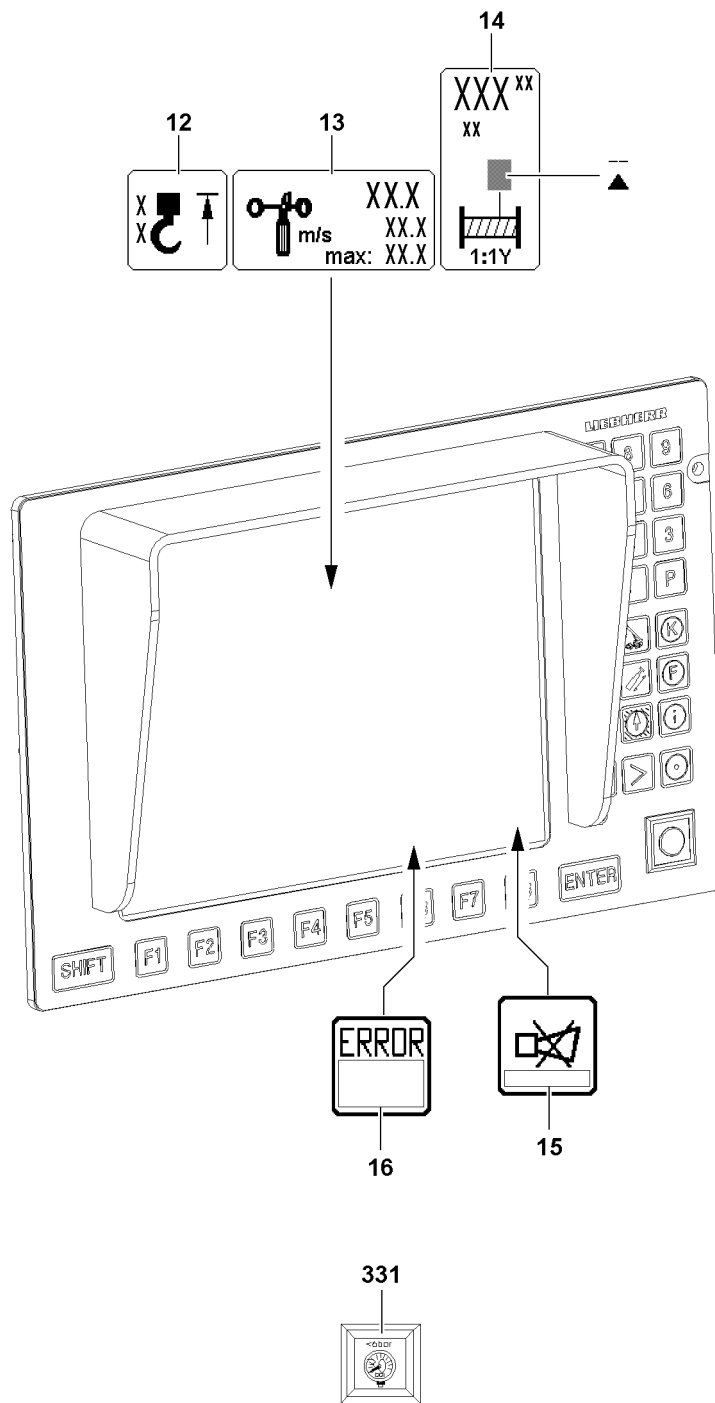


Fig.112972

5.5 Wind speed sensor

The wind warning by the warning speed sensor appears in the operating screen of the LICCON computer system.



WARNING

The crane can topple over!

If the crane is operated with a defective wind speed sensor, then there is the danger that excessively high wind speeds are not recognized!

The crane can topple over!

Personnel can be killed or seriously injured!

This could result in property damage!

- ▶ Crane operation with a defective wind speed sensor is prohibited!
- ▶ Repair / replace a defective wind speed sensor!

If wind occurs, then the wind speed sensor must report it speed:

- If the actual wind speed value exceeds the displayed maximum value, the value in the icon **13** „Wind speed“ starts to blink and the acoustic alarm „Short horn“ sounds on the LICCON monitor. But there is **no shut off** of crane movements.

5.5.1 Quick test Wind speed sensor

When blowing in the cups:

- The wind speed sensor must start to move.
- An actual value must be shown in the icon **13** „Wind speed“.

5.6 Limit switch winch spooled out

The limit switches for the winches are adjusted at the factory. If used properly, the winches will not need readjustment.



Note

Minimum rope coils on the shut off point!

For the winches, a minimum of three rope coils are set for each drum.

- ▶ The shut off must occur **before** reaching the third minimum rope coil.



WARNING

The load can fall off!

If the limit switch „Winch spooled out“ does not turn off **before** three minimum rope coils are reached, then there is the danger, when it is further spooled out, that the rope mounting locks are ripped out and the load falls down!

Falling load can cause the crane to sway and / or topple over!

Personnel can be severely injured or killed!

This could result in property damage!

- ▶ Crane operation with an incorrectly or non-adjusted winch is strictly prohibited!
- ▶ If the winch falls below the three minimum rope coils per winch, have it readjusted by **Liebherr Service!**

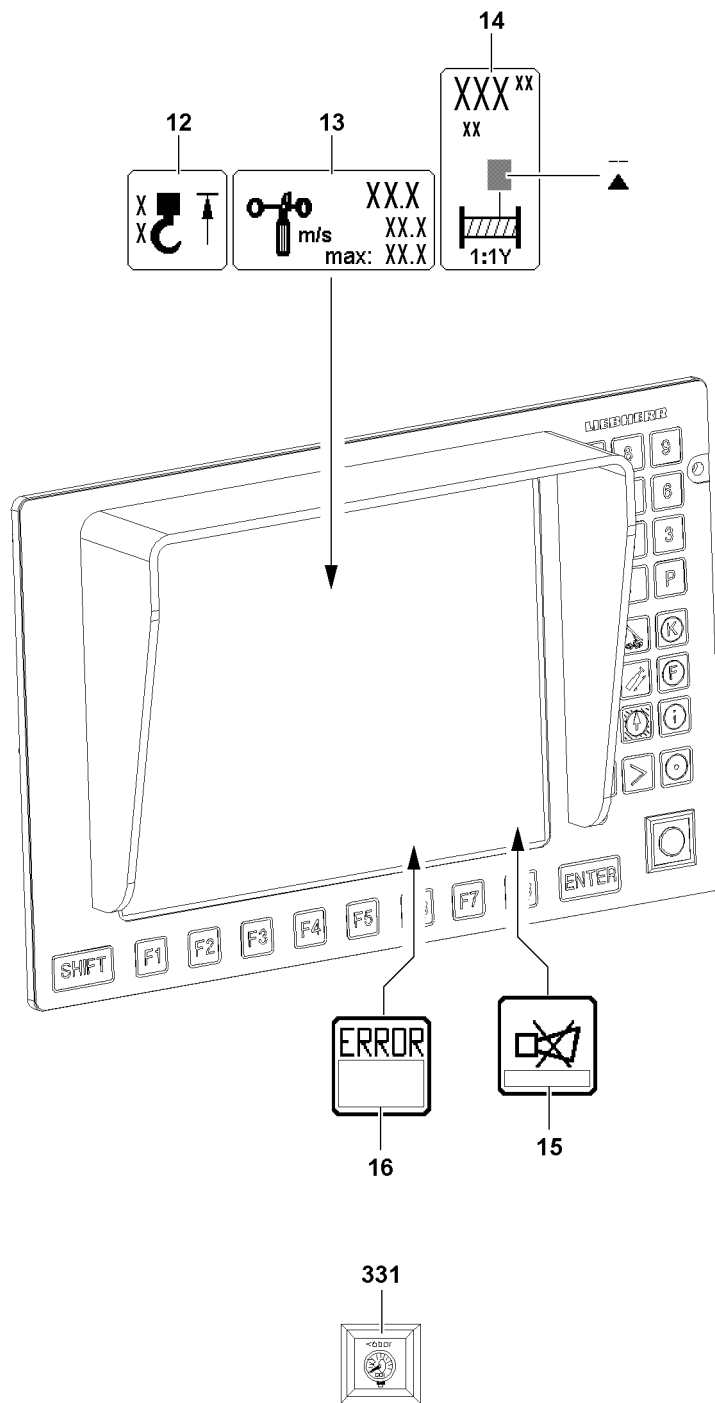


Fig.112972

**WARNING**

The load can fall off!

If the rope is not spooled up or out properly, then the adjustment of the limit switch „Winch spooled out“ is changed!

If the adjustment of the limit switch „Winch spooled out“ has changed, then the minimum rope coils are fallen below!

The load can fall down!

Falling load can cause the crane to sway and / or topple over!

Personnel can be severely injured or killed!

This could result in property damage!

- ▶ **Never** pull the end of rope underneath the winch by spooling up the rope winch!
- ▶ **Never** pull the rope from the „stationary“ winch!
- ▶ If you suspect that the limit switch „Winch spooled out“ is not adjusted correctly: Check the shut off without a load on the hook!

The limit switch „Winch spooled out“ must shut off when the minimum rope coils for the winch are reached:

- When the minimum rope coil for the winch is reached, then the display „Winch spooled out“ appears in the Winch icon **14**, see illustration. The crane movement „Spool winch out“ is shut off.

5.6.1 Quick test Limit switch winch

When the minimum rope coil is reached:

- The display „Winch spooled out“ must appear in the Winch icon **14**.
- The crane movement „Spool winch out“ must be shut off.

5.7 Servo oil pressure monitoring in the winches

All crane types except LR1400/2:

- If no servo oil pressure is present when the master switch is actuated, a corresponding error message appears in field **15**.

Only LR1400/2:

- If the servo oil pressure is too low, then the indicator light **331** in the right instrument panel appears.

5.8 Pressure monitoring in the relapse cylinders

Pressure sensors are installed in the hydraulic cylinders. The pressure measured with the pressure sensor is shown on the LICCON monitor, see Crane operating instructions, chapter 4.02.

**WARNING**

Risk of accident due to crane toppling over or destruction of the crane!

If the pressure drops, the relapse cylinder can no longer stabilize the boom!

The crane can topple over or be destroyed!

Personnel can be severely injured or killed!

- ▶ During crane operation: Constantly monitor the pressure in the relapse cylinders!

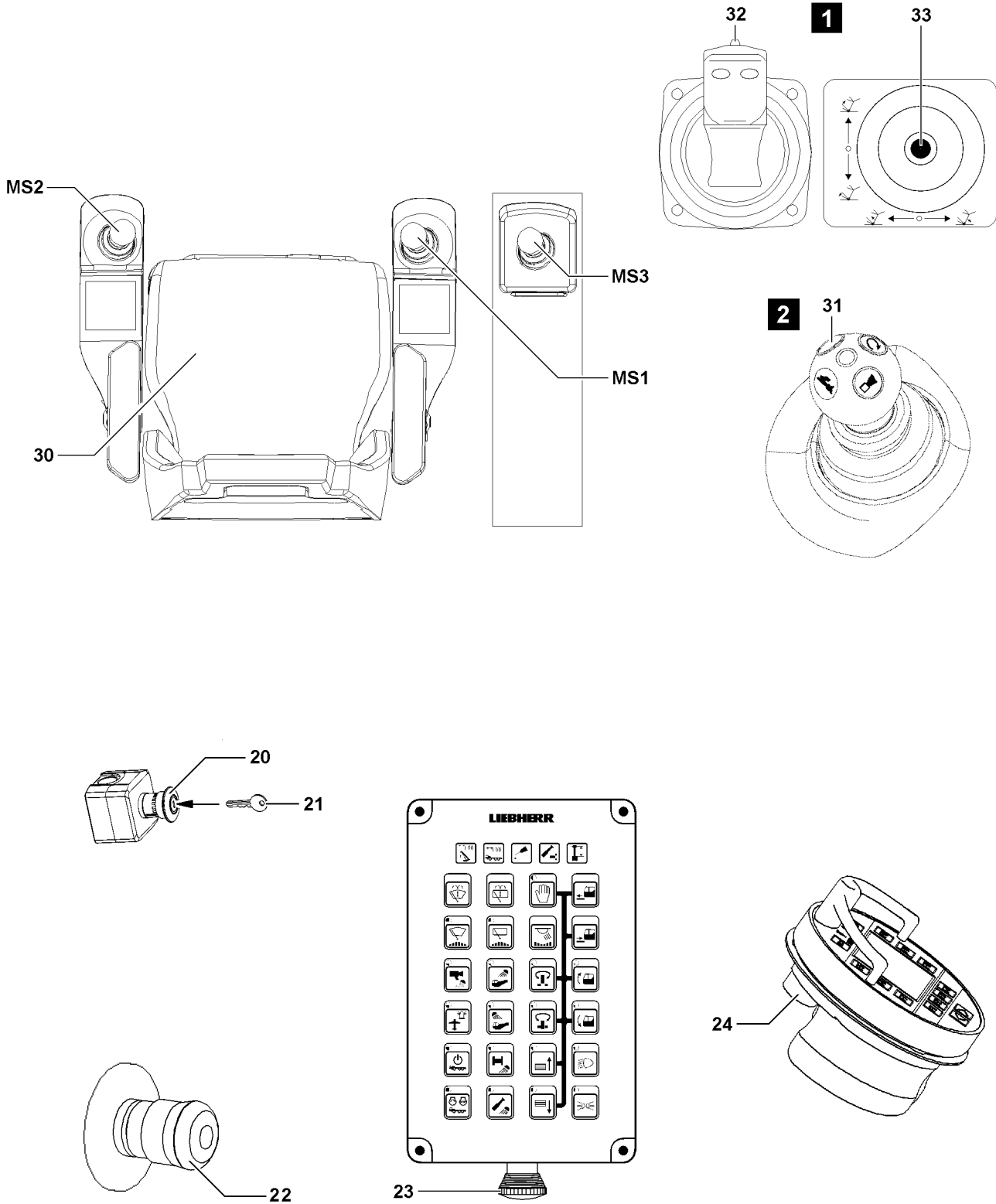


Fig.112970

LWE/LR 11350-005/19004-04-02/en

5.9 EMERGENCY STOP switch / EMERGENCY OFF switch

If an EMERGENCY STOP switch / EMERGENCY OFF switch is actuated, then the crane movement can be stopped with it.



WARNING

Defective EMERGENCY STOP switch / EMERGENCY OFF switch!

If the crane is operated with a defective EMERGENCY STOP switch / EMERGENCY OFF switch, then the crane movement cannot be stopped by actuating the EMERGENCY STOP switch!

This could result in accidents!

Personnel can be killed or seriously injured!

This could result in property damage!

- ▶ Crane operation with a defective EMERGENCY STOP switch / EMERGENCY OFF switch is prohibited!
- ▶ Repair or replace a defective EMERGENCY STOP switch / EMERGENCY OFF switch!

NOTICE

Operational actuation of the EMERGENCY STOP switch / EMERGENCY OFF switch

Actuation of the EMERGENCY STOP switch / EMERGENCY OFF switch causes the crane movement to stop abruptly!

Abruptly stopping the crane movement can cause the load to swing!

Swinging loads can cause accidents!

- ▶ Do not use the EMERGENCY STOP switch / EMERGENCY OFF switch operationally!
- ▶ Use the EMERGENCY STOP switch / EMERGENCY OFF switch only in emergency situations!

The EMERGENCY STOP switch / EMERGENCY OFF switch is available in various versions, depending on the crane type:

- After actuation of a switch of version* **20**, the release is only obtained by an authorized person with key **21** and by subsequently turning the ignition „Off - On“ momentarily.
- After actuation of the switch of version* **22**, the release is obtained by turning and unlocking the knob and subsequently turning the ignition „Off - On“ momentarily.
- After actuation of the switch of version* **23**, the release is obtained by turning and unlocking the knob and subsequently turning the ignition „Off - On“ momentarily.
- After actuation of the switch of version* **24**, the release is obtained by turning and unlocking the knob and subsequently turning the ignition „Off - On“ momentarily.



Note

- ▶ Which EMERGENCY STOP switch / EMERGENCY OFF switch is on the crane depends on the crane type.
- ▶ The switch **24** on the BTT is only activated when working with the BTT.

5.9.1 Quick test EMERGENCY STOP switch / EMERGENCY OFF switch

After actuation of the EMERGENCY STOP switch / EMERGENCY OFF switch:

- The crane movements must be stopped.
- No crane movements must be possible until the release was issued by turning and unlocking the knob and then turning the ignition „Off - On“ momentarily.

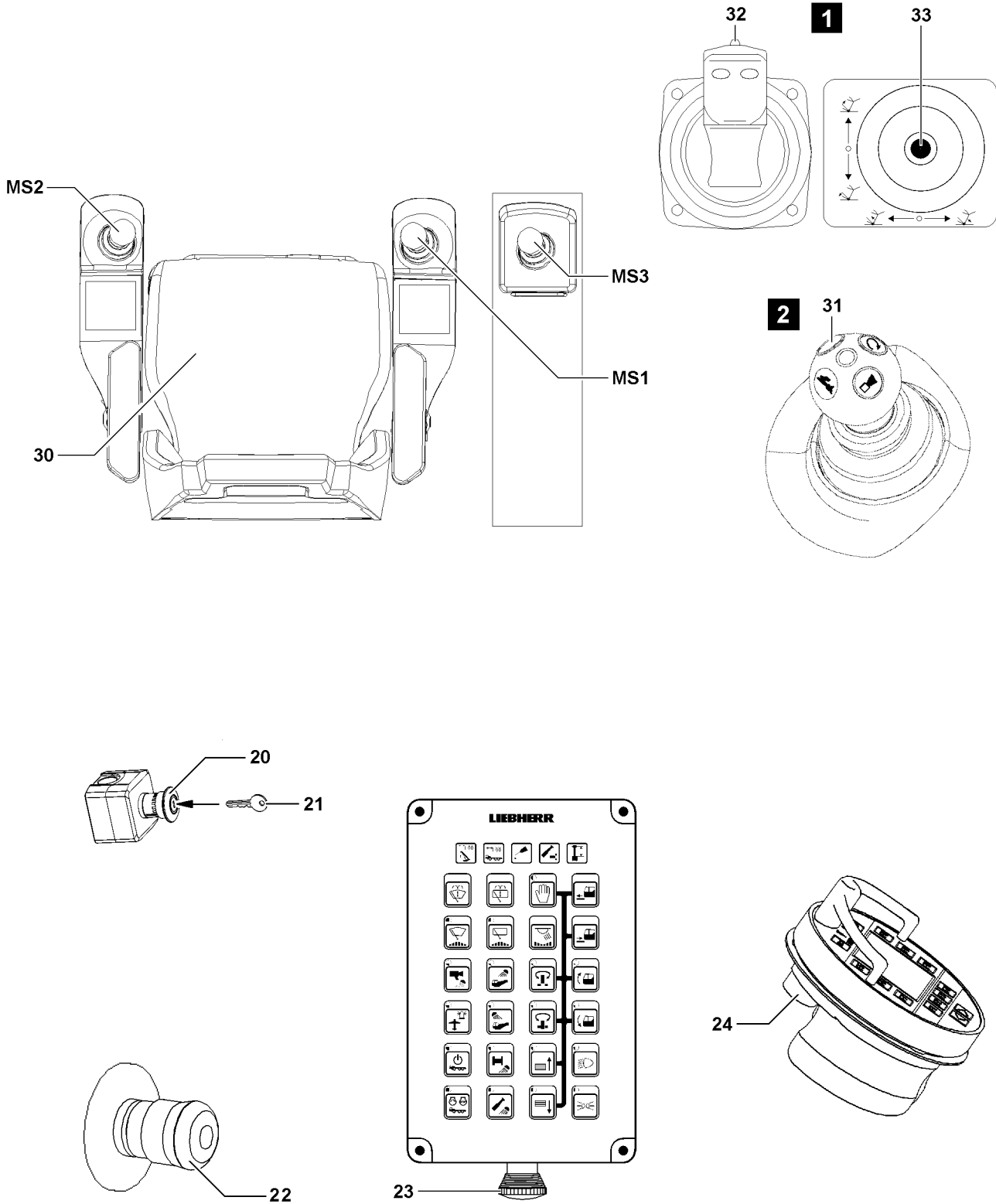


Fig.112970

LWE/LR 11350-005/19004-04-02/en

5.10 Control release

The control release can be made via three switches:

- **30** Seat contact button
- Button **31** on master switch **MS1** and **MS2** and **MS3**.
- or
- Button **32** on master switch **MS1** and **MS2** (only LR1400/2)
- Button **33** on master switch **MS3** (only LR1400/2)

The seat contact button **30** shuts down the crane control as soon as the crane operator gets up from the seat.

This prevents unintended crane movements by accidentally touching the master switch, for example when getting in or out of the cab.

Button **31** or button **32** and the button **33** bypass the seat contact switch **30**, if necessary, for example, when work must be performed standing.

5.11 Hydraulic safety valves

A differentiation is made between three types:

- Pressure relief valves
 - Prevent pipe and hose bursts due to excessive pressure.
- Shut off valves
 - Control and secure the working cylinders.
- Check valves
 - Control and secure the flow direction.

5.12 Gravity actuated relapse retainer



Note

- ▶ Only for cranes with luffing accessories.

The gravity actuated relapse retainer (oscillation guard / flap / relapse support) prevent luffing accessory from tipping to the rear in „steepest position“.



WARNING

The crane can topple over!

If the gravity actuated relapse retainer (oscillation guard / flap / relapse support) is hard to move, then it will no longer function.

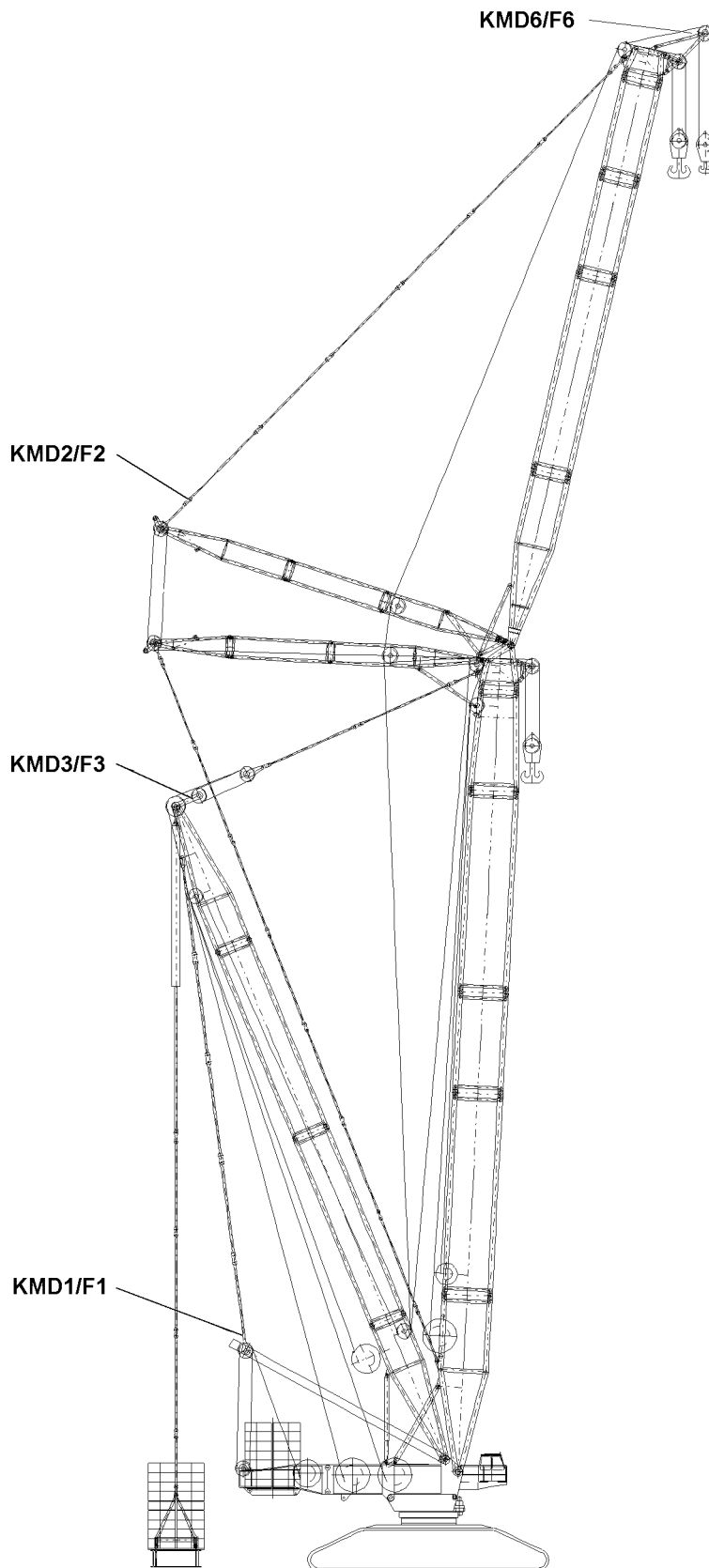
Shut off and limit functions can be set out of service!

The crane can be overloaded and topple over!

Personnel can be killed or seriously injured!

This could result in property damage!

- ▶ Before erecting the crane, check the relapse retainer for easy movement!
- ▶ Crane operation with hard to move relapse retainer is prohibited!



LWE/LR 11350-005/19004-04-02/en

Fig.112971

5.13 Angle sensors

Component	Description - Angle sensor (WG)
S-pivot section	Main boom bottom
S/W-end section, if used on boom	Main boom top
S/W-end section, if used on luffing jib	Luffing jib up
W-pivot section	Luffing jib bottom
W-connector head	Main boom top
D-pivot section	Derrick bottom
D-end section	Derrick top
SA-frame	SA-frame

5.14 Test brackets (KMD = force test box)

The test brackets measure the force in the guying, which results from the load and the boom momentum.

The test brackets are located:

- **KMD 1**, in the boom guying, SA-frame to boom for all operating modes **without** derrick
- **KMD 1**, in the derrick guying, SA-frame to derrick for all operating modes **with** derrick
- **KMD 2**, in the lattice jib guying, WA-frame 1 to lattice jib end section
- **KMD 3**, in the boom guying, derrick to boom for all operating modes **with** derrick
- **KMD 6**, in the boom nose (not LR1400/2)

5.15 Limit switch Boom system



WARNING

Danger of toppling or destroying the crane!

If the crane movement is stopped by the block limit switches, then the load forces cannot be absorbed and calculated by the control!

The crane can be overloaded and topple over!

Personnel can be hit and killed or seriously injured!

This could result in property damage!

- ▶ Do **not** use the hoist limit switch as an operational shut off device!
- ▶ Do not actuate the block limit switches!

Fig.195219

LWE/LR 11350-005/19004-04-02/en

1 General

Make sure that the following prerequisites are met:

- The crane is aligned in horizontal direction.
- The counterweight is attached and secured according to the data in the load chart.
- The ground is able to carry the weight of the crane, the load and the load tackle.
- The hook block is correctly reeved as shown in reeving plan.
- The crawler operation is turned off.
- The crane engine is running.
- All safety systems have been adjusted according to the data in the load chart.
- There are no persons or objects in the danger zone.



DANGER

Danger of accident!

- ▶ In order to protect the crane and reduce the danger of accidents always use the master switch slowly and sensitively.
 - ▶ Ensure that there are no obstacles in the working range of the crane and that there are no persons within the danger zone.
 - ▶ Give a warning signal before initiating a crane movement.
 - ▶ Observe the danger notes for crane operation in chapter 5.01.
-

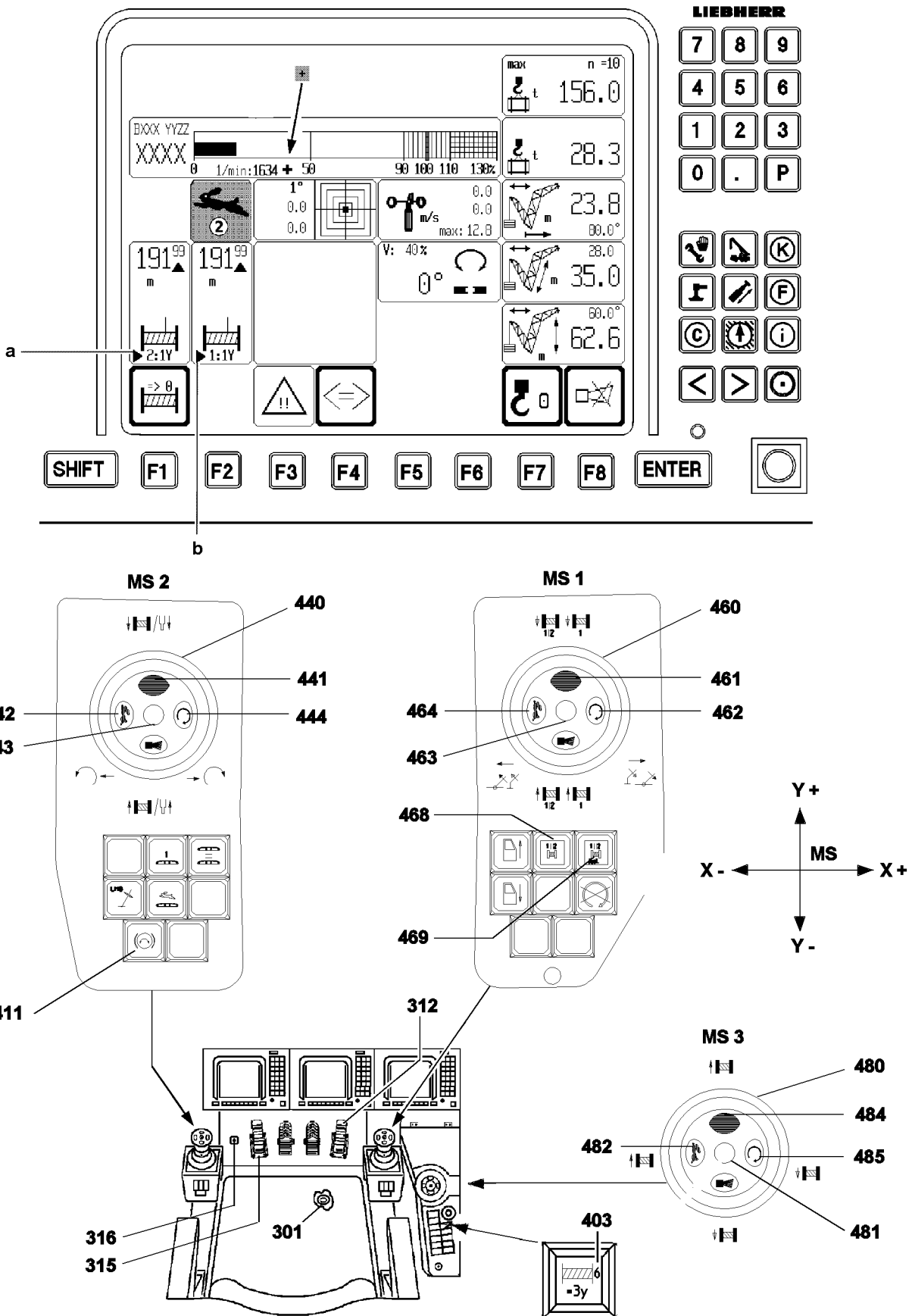


Fig.113073

LWE/LR 11350-005/19004-04-02/en

1.1 Engine speed

1.1.1 Locking the engine rpm

Locking the engine rpm relieves the crane operator if he needs to work for an extended period with constant rpm. The engine regulation can be locked in any position.

- ▶ Press the pedal **312** down for the engine regulation until the desired rpm is reached.
- ▶ Press the button **444**.
or
Press button **462** or button **485**.

Result:

- The pedal **312** is locked.
- The „+“ symbol appears on the monitor.

1.1.2 Releasing the engine rpm lock

If the engine rpm is locked:

- ▶ Press the button **444** again.
or
Press button **462** or button **485** again.

Result:

- The lock is released.
- The „+“ symbol extinguishes on the monitor.

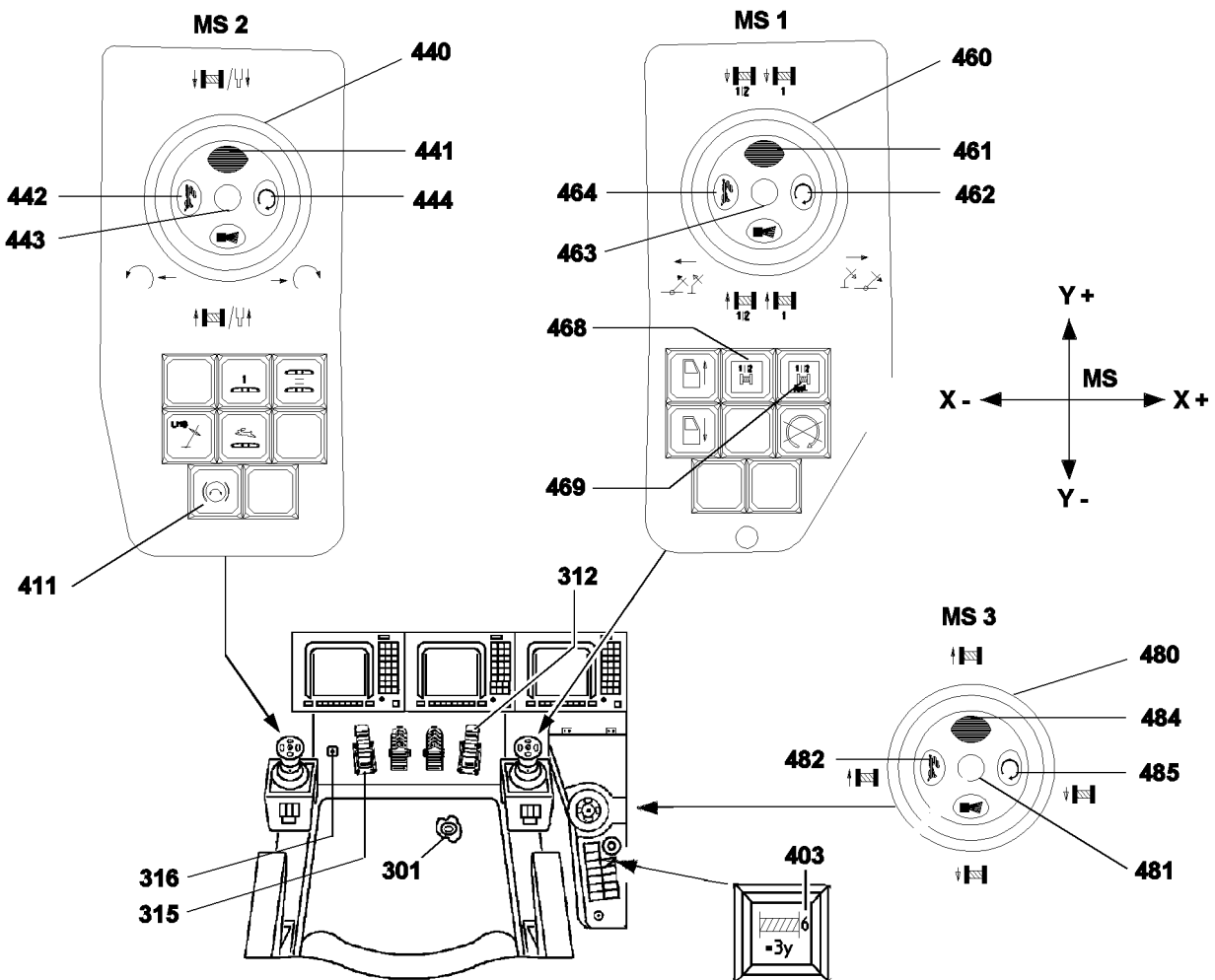
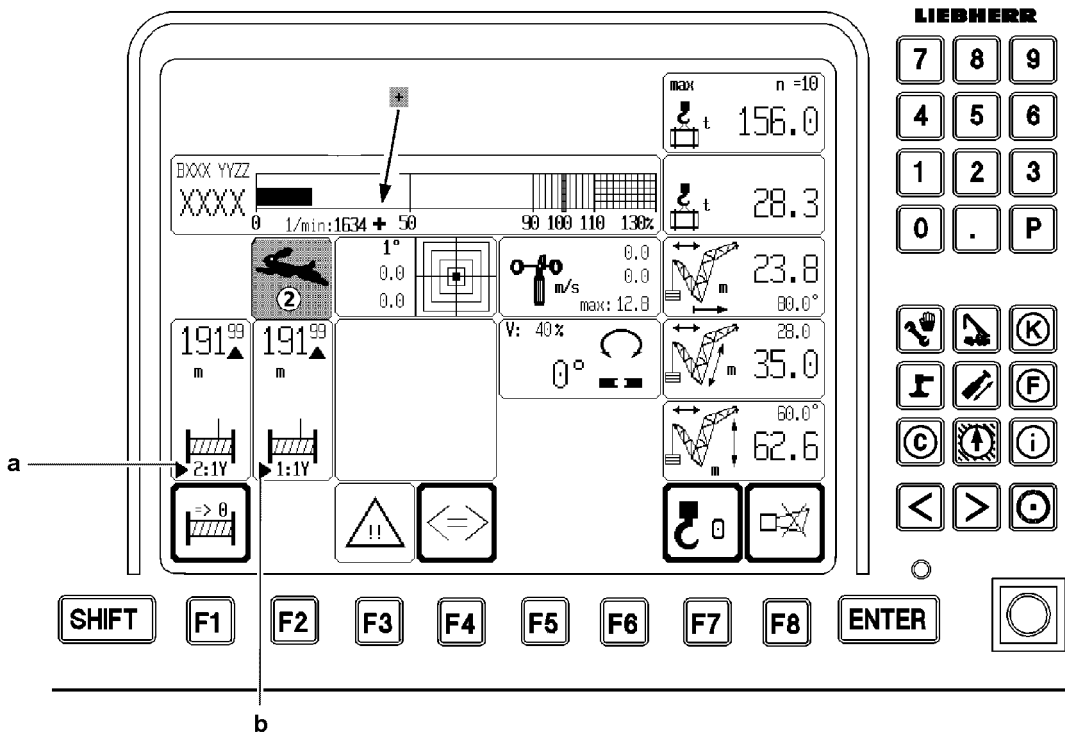


Fig.113073

1.1.3 Power Plus



Note

Please note!

- ▶ If a crane movement has reached its maximum speed due to the current utilization, then no speed increase is possible by adding the „Power Plus“.
- ▶ If the total power requirement of all actuated crane movements is larger than the available power, then those crane movements are reduced which require the most power.
- ▶ If another crane movement is added or taken back to one or more actuated crane movements then this has an influence on the other movements. For that reason we recommend in situations in which an interference of the individual crane movements is troublesome, not to add the Power Plus or to turn the Power Plus off.

Adding „Power Plus“

Using the button **442** or the button **464** will increase the speed of the crane movement for „lifting / lowering“.



DANGER

Danger of accidents in case of single to triple sheave reeving!

- ▶ Do **not** turn on Power Plus if the crane is loaded to more than 50 % of its maximum permitted load carrying capacity for the respective boom radius.

- ▶ Press the button **442**.
or
Press the button **464** or **482**.

Result:

- Power Plus is added.
The icon **2** appears on the LICCON monitor.

Turning the „Power Plus“ off

If Power Plus is added:

- ▶ Press the button **442** again.
or
Press button **464** or **482** again.

Result:

- Power Plus is turned off.
The icon **2** turns off on the LICCON monitor.

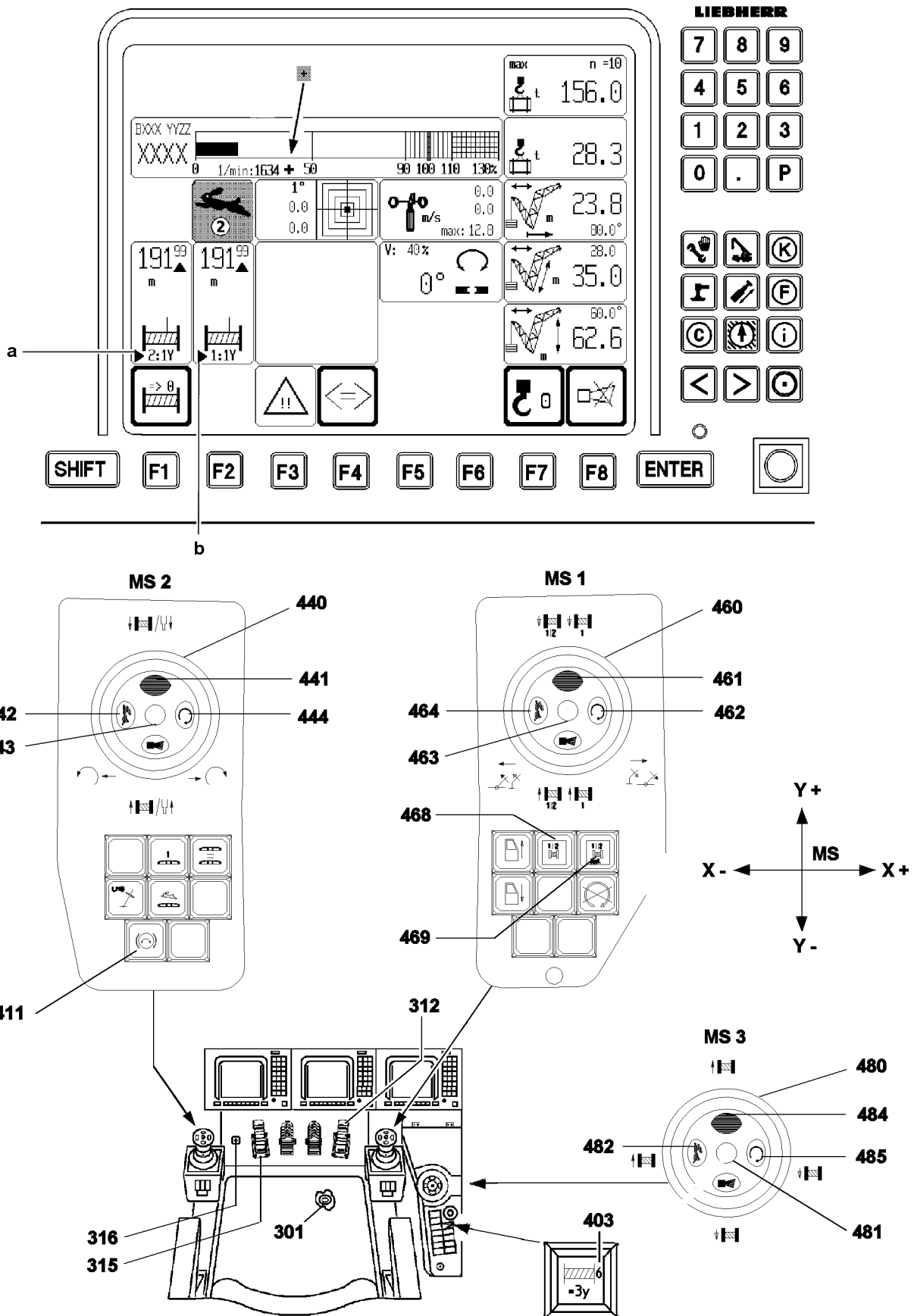


Fig.113073

LWE/LR 11350-005/19004-04-02/en

1.1.4 Vibration sensor

By adding the vibration sensor, a crane movements can be detected by vibration of the master switch.

Make sure that the following prerequisite is met:

- The seat contact switch **301** is activated.

Winch 1

- ▶ Press the button **461**.

Result:

- The vibration sensor **463** is turned on.
The icon **b** is turned on.

When the vibration sensor **463** is turned on:

- ▶ Press the button **461** again.

Result:

- The vibration sensor **421** is turned off.
The icon **b** is turned off.

Winch 2 or slewing gear

If winch 2 and the slewing gear are operated, the vibration sensor **443** will react to the first deflecting movement.

- ▶ Press the button **441**.

Result:

- The vibration sensor **443** is turned on.
The icon **a** is turned on.

When the vibration sensor **443** is turned on:

- ▶ Press the button **441** again.

Result:

- The vibration sensor **443** is turned off.
The icon **a** is turned off.

Fig.195219

LWE/LR 11350-005/19004-04-02/en

2 LICCON computer system

See chapter 4.02.



WARNING

Danger of accidents due to overload.

- ▶ Constantly monitor the displays on the LICCON monitor.
- ▶ Observe changing utilization conditions and forces.



Note

- ▶ The crane operator must evaluate constantly if the data shown in the operating view can even be correct. He may not rely blindly on the LICCON system but must think for himself and must recognize a possible error or overload conditions.

2.1 The crane engine is running.

Make sure that the following prerequisites are met:

- The batteries are charged by the alternator.
- A stable voltage is present.

2.2 Stand-by mode

No crane movements are possible, see chapter 4.02, section 10, „LICCON Computer system in Stand-by Mode“.

3 Winch and master switch assignment to operating modes

The assignment of the master switches to the winches is different, according to the operating modes.



WARNING

The crane can topple over!

If the master switch assignment in the electric wiring diagram is ignored, the crane can topple over!

Personnel can be severely injured or killed!

Severe damage on the crane can result!

- ▶ The winch use is regulated in the master switch assignment in the Electric wiring diagram. The winches may only be operated according to this master switch assignment specified in the Electric wiring diagram.

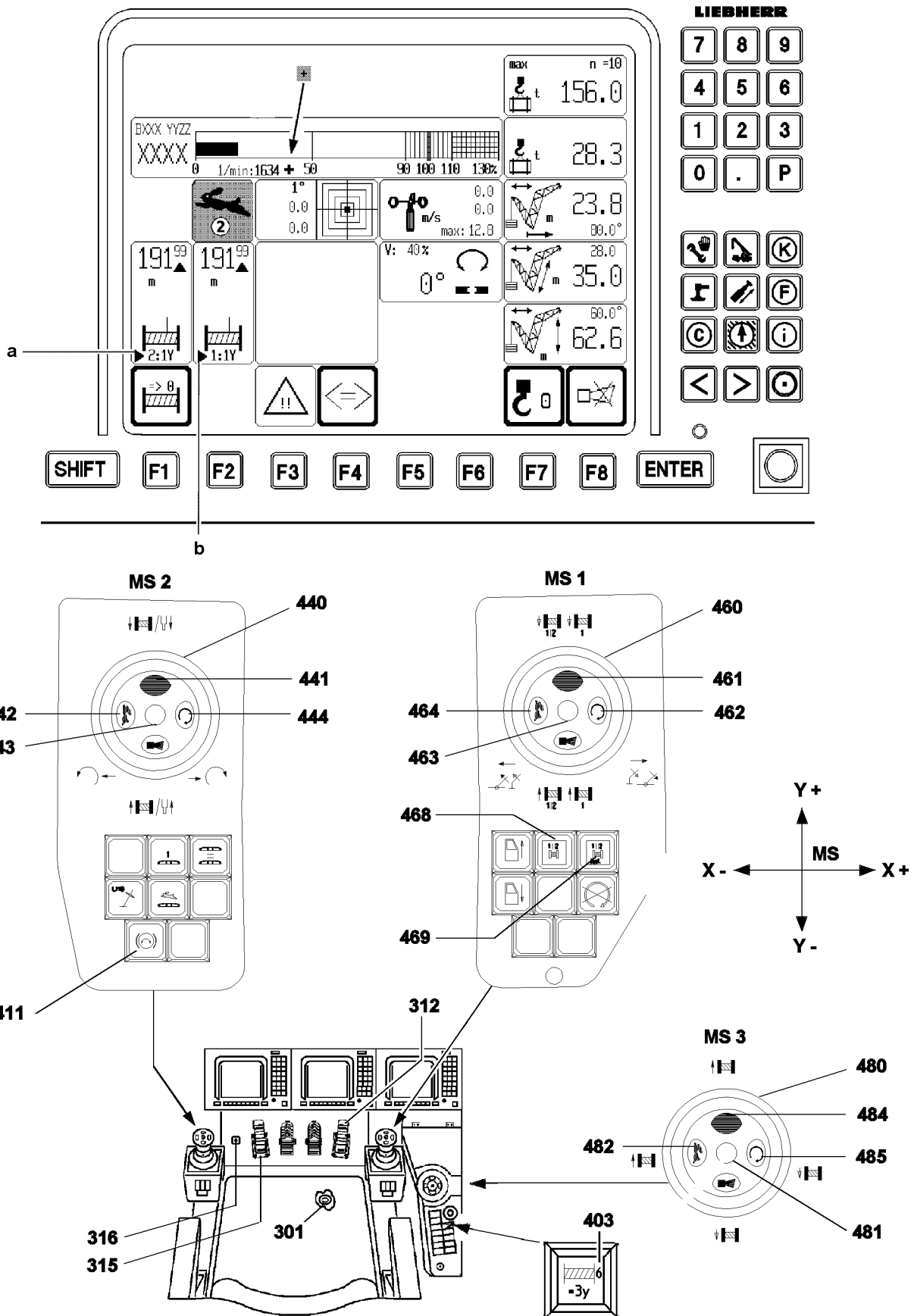


Fig.113073

LWE/LR 11350-005/19004-04-02/en

4 Lifting / lowering



CAUTION

Risk of rope damage!

- ▶ When spooling the winches up or out, make sure that no slack rope forms.

The speed of crane movement „lifting and lowering“ is controlled via the deflection of the corresponding master switch and via the pedal **312** of the engine regulation.

In the „Control Parameter“ program, it is possible to preselect the maximum winch speed. It is also possible to deactivate or activate the individual winches.

See chapter 4.02, section „Control parameter“.

4.1 Winch 1 - hoist winch

In the winch icon is shown that the winch is turning, even if no hook movement is visible due to multiple reeving and low speed.

- ▶ Deflect master switch 1 **460** in direction Y+.

Result:

- Winch 1 spools out and the load is lowered.

- ▶ Deflect master switch 1 **460** in direction Y-.

Result:

- Winch 1 spools up, the load is raised.

4.2 Winch 2 - hoist winch

In the winch icon is shown that the winch is turning, even if no hook movement is visible due to multiple reeving and low speed.

- ▶ Deflect master switch 2 **440** in direction Y+.

Result:

- Winch 2 spools out and the load is lowered.

- ▶ Deflect master switch 2 **440** in direction Y-.

Result:

- Winch 2 spools up and the load is lifted.

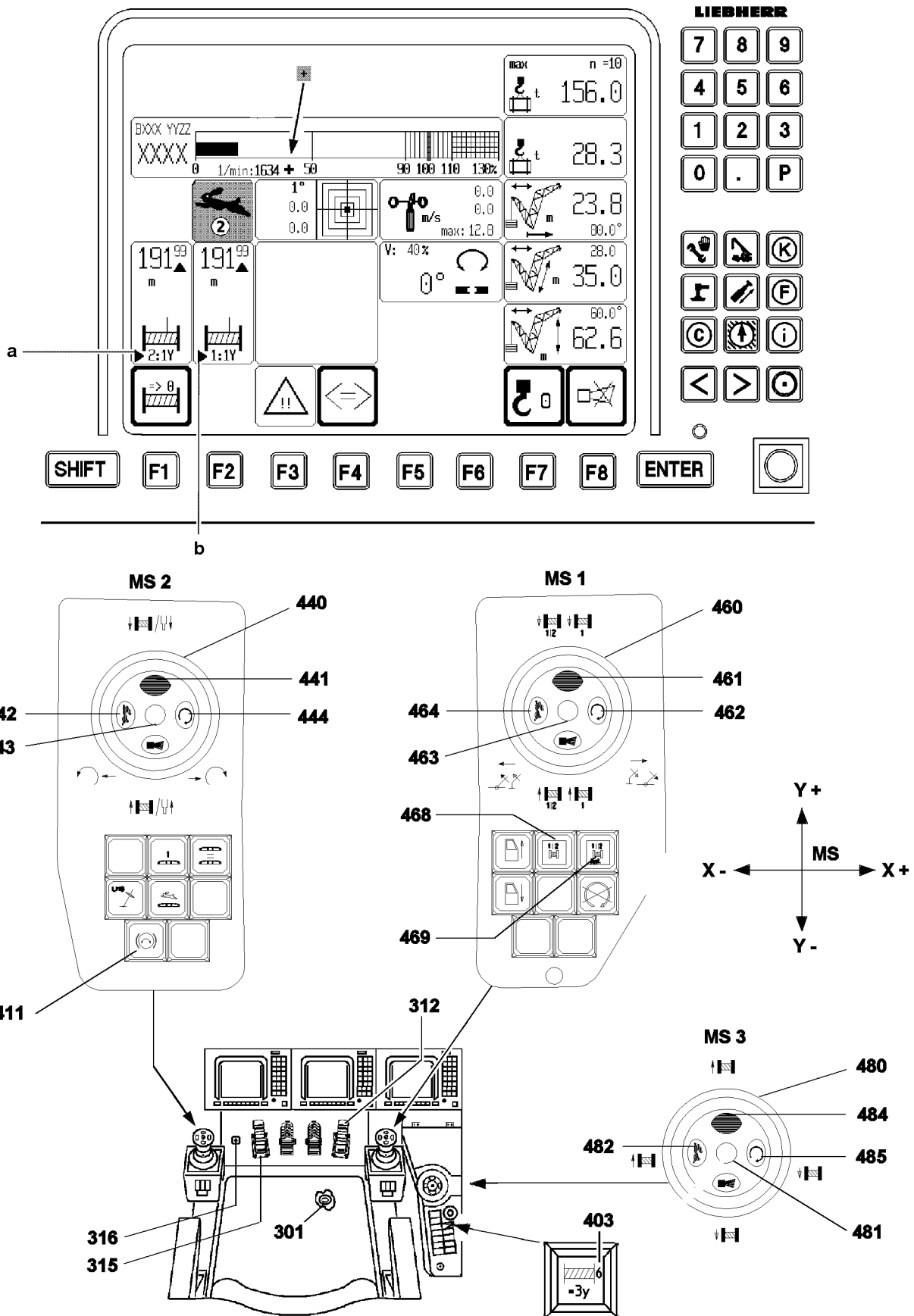


Fig.113073

LWE/LR 11350-005/19004-04-02/en

4.3 Winch 6 - hoist winch boom nose

In the winch icon is shown that the winch is turning, even if no hook movement is visible due to multiple reeving and low speed.



Note

- ▶ In individual operation of winch 1 and winch 2, no master switch is assigned to winch 6.
- ▶ To be able to run winch 6 in individual operation, the **switch 403** must be turned on, this assigns winch 6 to the master switch MS3y.
- ▶ In parallel operation, winch 1 and winch 2 are actuated with the master switch MS1y. The master switch MS2y is then assigned to winch 6. The switch 403 is turned off.

4.3.1 Operation with winch 6 with turned on parallel operation of winch 1 II 2

- ▶ Turn on switch **468**.

Result:

- The parallel control of winch 1 and winch 2, **1II2** is turned on. Master switch MS2y is assigned to winch 6.

- ▶ Deflect master switch 2 **440** in direction Y+.

Result:

- Winch 6 spools out and the load is lowered.

- ▶ Deflect master switch 2 **440** in direction Y-.

Result:

- Winch 6 spools up and the load is lifted.

4.3.2 Operation with winch 6 in individual operation of winch 1 + 2

- ▶ Turn the switch **403** on. Winch 6 is switched to master switch MS3y.
- ▶ Deflect master switch 3 **480** in direction Y+.

Result:

- Winch 6 spools out and the load is lowered.

- ▶ Deflect master switch 3 **480** in direction Y-.

Result:

- Winch 6 spools up and the load is lifted.

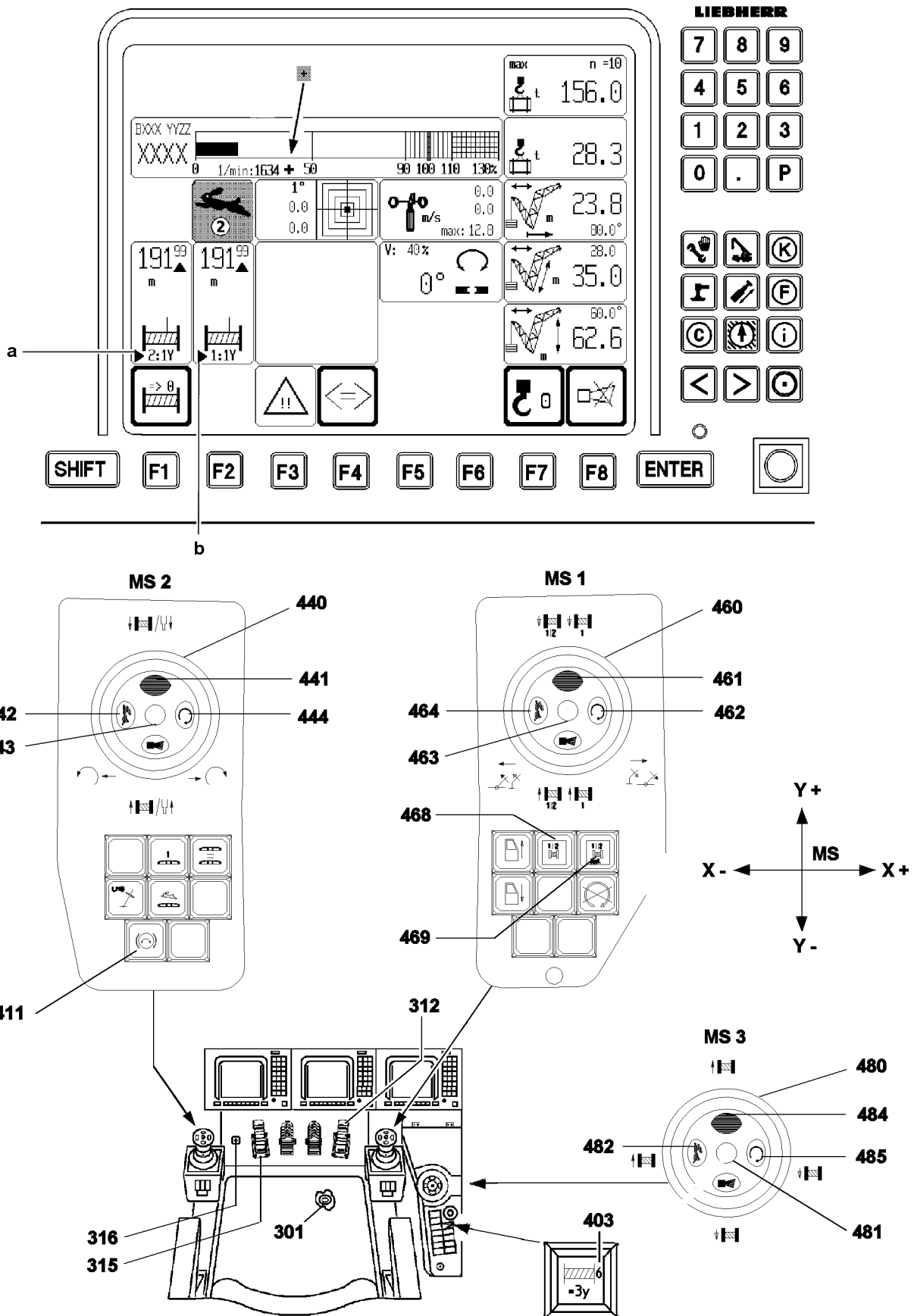


Fig.113073

LWE/LR 11350-005/19004-04-02/en

4.4 Parallel operation

For parallel operation, winch 1 and winch 2 are used.

In parallel operation, winch 1 and 2 are only jointly activated only via master switch MS1y.

Make sure that the following prerequisites are met:

- The double hook blocks are assembled together, see chapter 4.06.
- The double hook blocks are reeved in according to the load charts.
- The double hook blocks are properly reeved according to the reeving plan, see chapter 4.06.
- The total reeving has been entered on the LICCON monitor.
- The reeving number on both winches 1 and 2 must be the same and even.



DANGER

Danger of accident!

- ▶ The total reeving number on both winches 1 and 2 must be the same and even in parallel operation. If the minimum value of the reeving is uneven, then - in parallel operation - the next higher, even reeving must be selected.
- ▶ Remove the transporting pin on the hook blocks prior to the horizontal alignment and prior to the crane operation.
- ▶ Make sure that the danger zone of the hook block is free of any personnel.

4.4.1 Aligning the hook blocks horizontally

Make sure that the following prerequisites are met:

- Individual operation for winch 1 and winch 2 is set.
- ▶ Manually align the hook blocks horizontally, visual check.
- ▶ Move master switch 1 **460** or master switch 2 **440** into direction Y.

Result:

- Winch 1 or winch 2 spools out or up until the hook blocks are horizontally aligned, visual check.

4.4.2 Adjusting the parallel control of winch 1 and winch 2

Make sure that the following prerequisites are met:

- The double hook blocks are horizontally aligned, visual check.
- There is no load on the hook.
- ▶ Turn on the switch **468** for the parallel operation. Press button **469** and adjust winch 1 and winch 2.

Result:

- The parallel control of winch 1 and winch 2 is adjusted.

Fig.195219

LWE/LR 11350-005/19004-04-02/en

4.4.3 Parallel operation

**WARNING**

Danger of accidents due to different level of hook blocks!

The electronic parallel control only monitors the same rotational speed of the two winches, however, it does **not** consider the following errors:

- Uneven rope length
- Different rope diameters
- Different winding behavior
- Uneven reeving

▶ The crane operator must ensure and is responsible for that the hook blocks are always on the same level, despite electronic monitoring!

**Note**

▶ The winch movement is shut off if the difference range of the parallel control is being exceeded. In that case, the winches must be again parallel adjusted.

**DANGER**

Danger of accident!

The compensating cross bar on the double hook blocks must always be horizontal.

Considerable load increases occur on individual hook blocks when the compensating cross bar is in an inclined position.

If this is not observed, then the hook block, boom or rope can be overloaded, resulting in property damage and personal injury.

▶ Make sure that the compensating cross bar is always horizontal.

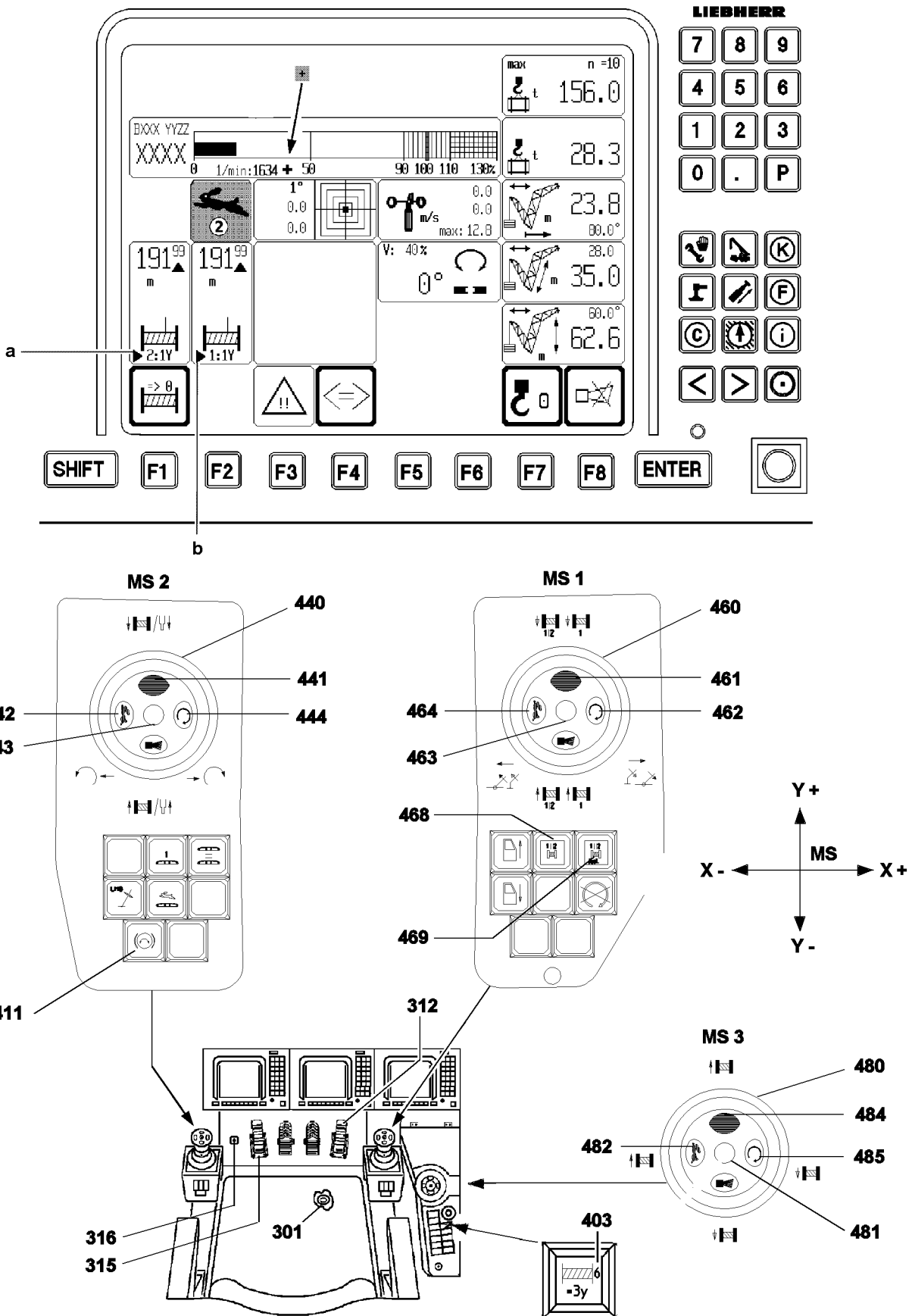


Fig.113073

LWE/LR 11350-005/19004-04-02/en

5 Luffing



DANGER

Crane can be damaged or topple over!

If the LICCON overload protection turns off when attempting to lift the load with the winch, do not luff up the boom.

▶ Do not lift the load by luffing up the boom, see chapter 4.04.

The speed of crane movement „luffing“ is controlled by the deflection of the corresponding master switch and via the pedal **312** of the engine regulation.

5.1 Luffing the boom during S/SL/SD/SLD/SDWV(B/BW) operation

▶ Deflect the master switch 1 **460** in direction X-.

Result:

– The boom is luffed up.

▶ Deflect the master switch 1 **460** in direction X+.

Result:

– The boom is luffed down.

5.2 Luffing the boom in SW2-operation

Make sure that the following prerequisites are met:

– The switch **403** is **not** switched to winch 6, master switch MS3y.

▶ Deflect master switch 3 **480** in direction Y-.

Result:

– The boom is luffed up.

▶ Deflect master switch 3 **480** in direction Y+.

Result:

– The boom is luffed down.

5.3 Luffing the boom during SDW/(B/BW) operation

▶ Deflect the master switch 3 **480** in direction X-.

Result:

– The boom is luffed up.

▶ Deflect the master switch 3 **480** in direction X+.

Result:

– The boom is luffed down.

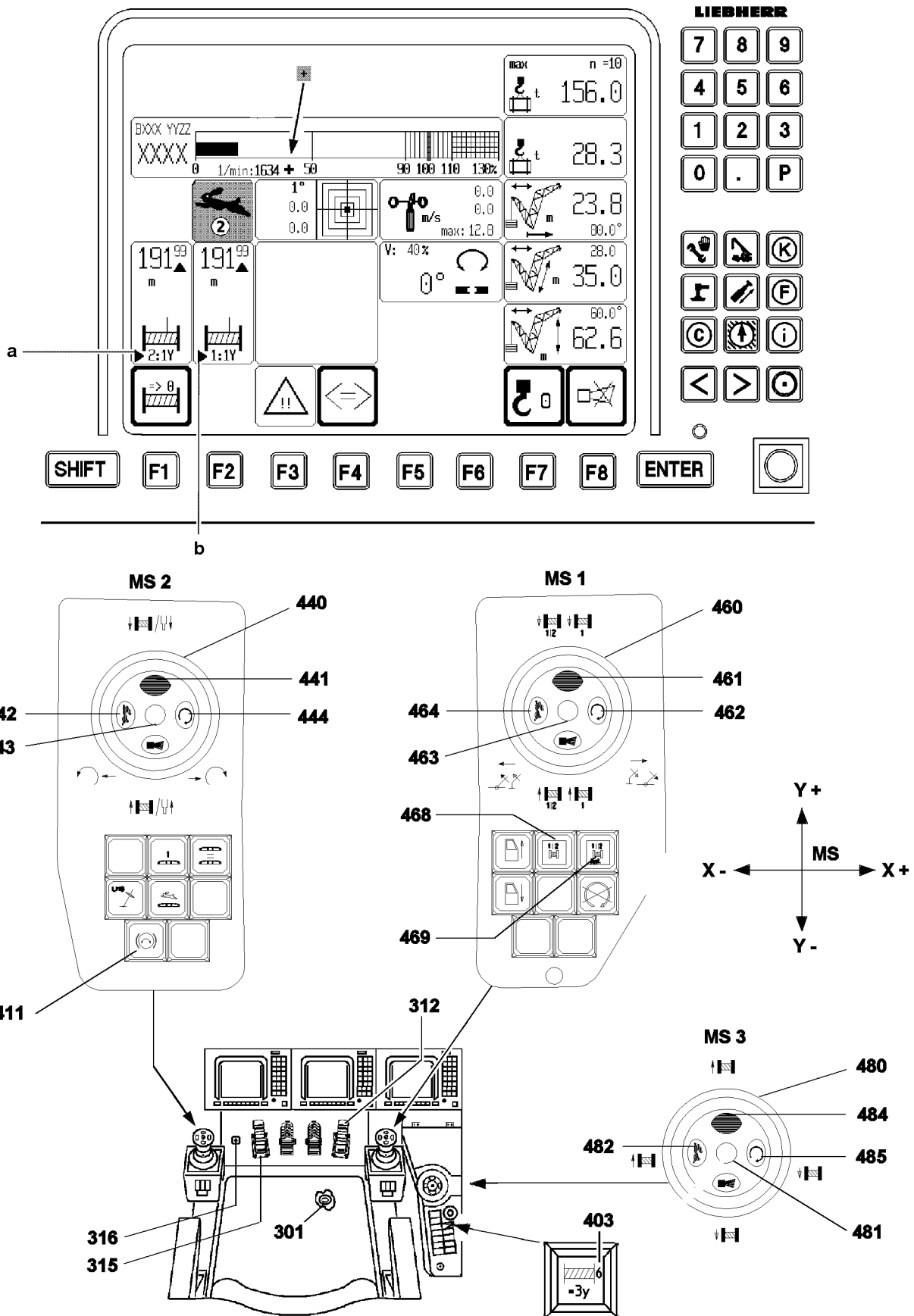


Fig.113073

LWE/LR 11350-005/19004-04-02/en

5.4 Luffing the lattice jib during SW2/SDW/(B/BW) operation

- ▶ Deflect the master switch 1 **460** in direction X-.

Result:

- The lattice jib is luffed up.

- ▶ Deflect the master switch 1 **460** in direction X+.

Result:

- The lattice jib is luffed down.

5.5 Luffing the lattice jib during SDWV/(B/BW) operation

- ▶ Deflect the master switch 3 **480** in direction X-.

Result:

- The lattice jib is luffed up.

- ▶ Deflect the master switch 3 **480** in direction X+.

Result:

- The lattice jib is luffed down.

5.6 Luffing the derrick, for all D-operating modes

Make sure that the following prerequisites are met:

- The switch **403** is **not** switched to winch 6, master switch MS3y.

- ▶ Deflect master switch 3 **480** in direction Y-.

Result:

- The derrick is luffed up.

- ▶ Deflect master switch 3 **480** in direction Y+.

Result:

- The derrick is luffed down.

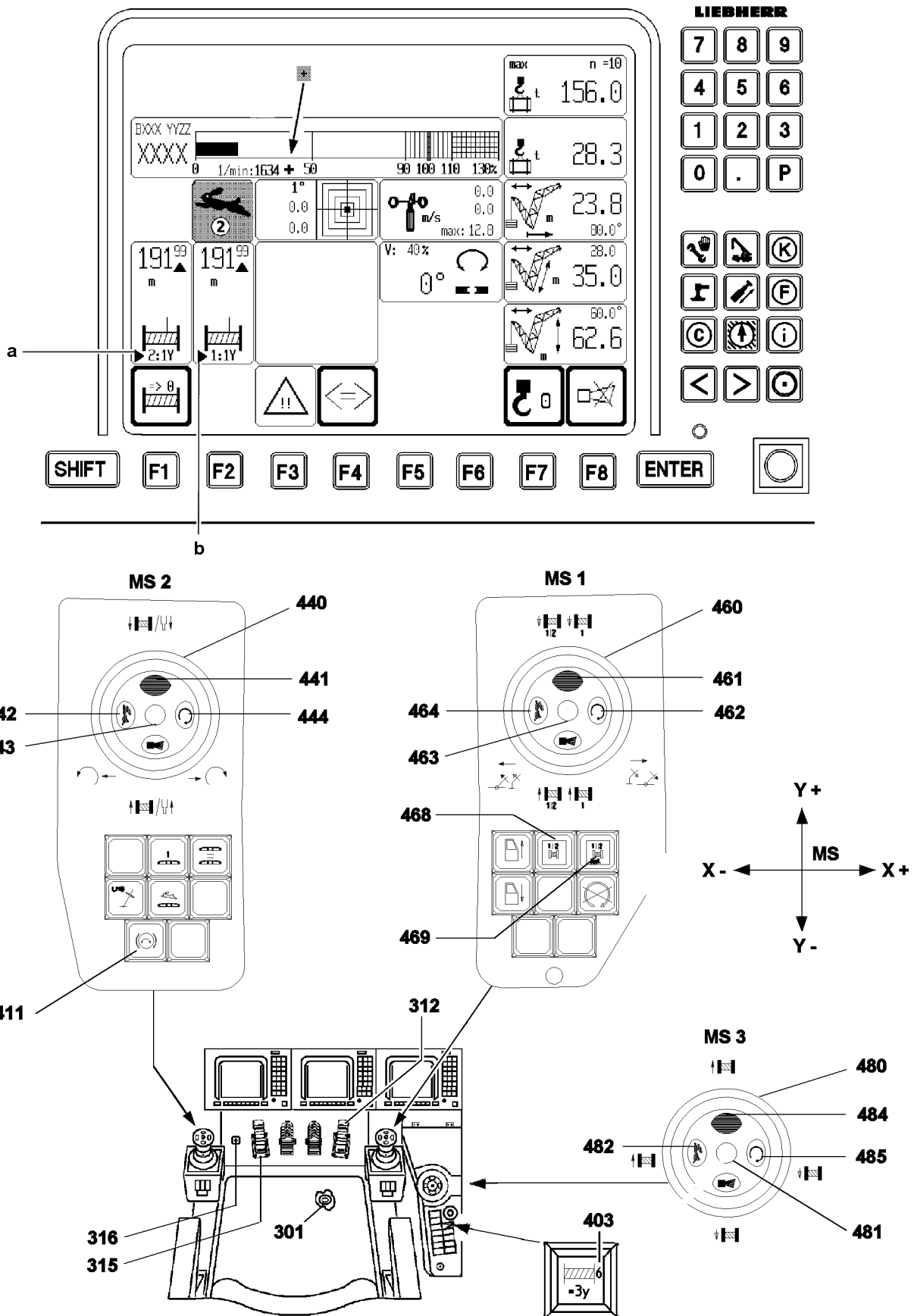


Fig.113073

6 Turning

The speed of the „turning“ crane movement is controlled via the deflection of master switch 2 **440** and via the pedal **312** of the engine regulation.

The basic principle is that with a longer boom and a heavier load the crane should be operated at lower speed.

In the „Control Parameter“ program, it is possible to preselect the maximum rotational speed.

See chapter 4.02 „LICCON computer system“, section „Control Parameters“.

The load chart manual lists the maximum slewing speeds in percentages. These values depend on the boom length and the operating mode, and may not be exceeded under any circumstances.

6.1 Turning the crane superstructure



DANGER

Danger of fatal injury!

- ▶ Ensure that there are no obstacles in the crane's working area and no persons in the danger zone.
- ▶ Give a short warning signal (horn) before starting a crane movement.



DANGER

Danger of fatal injury!

A swaying load can damage the crane and cause it to topple.

- ▶ When turning with a load, initiate and slow down the turning movement very sensitively.

- ▶ Deflect the master switch 2 **440** in direction X+.

Result:

- The crane superstructure turns to the right.

- ▶ Deflect the master switch 2 **440** in direction X-.

Result:

- The crane superstructure turns to the left.

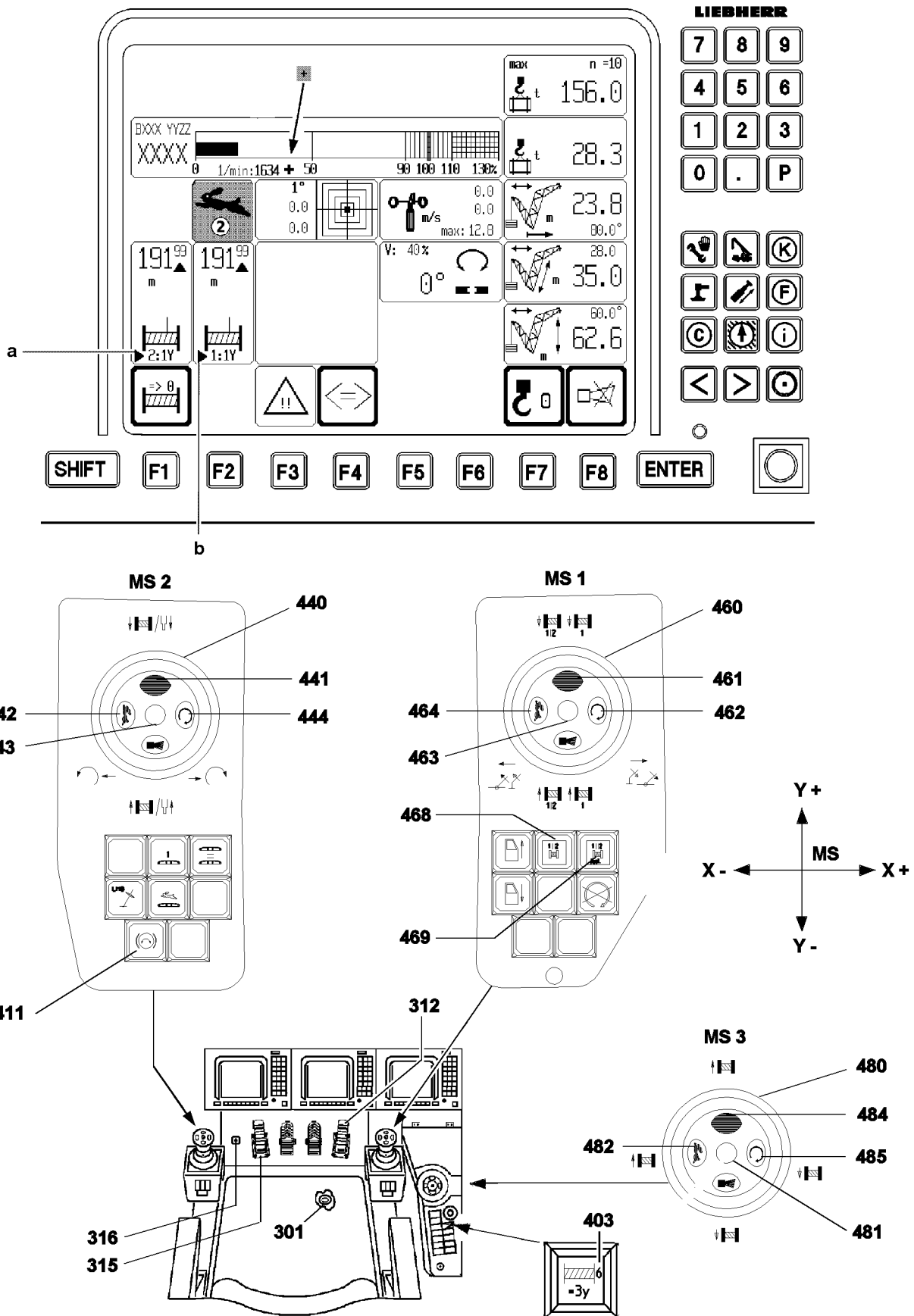


Fig.113073

6.2 Slewing gear, general

This crane is equipped with a „closed slewing gear“.

With a „closed slewing gear“, the braking effect starts as soon as master switch 2 **440** is moved towards the neutral position.

The parking brake is released as soon as master switch 2 **440** is moved away from the neutral position.

6.2.1 Turning the parking brake on / off

If the parking brake is turned off, then the load can be held by the slewing gear brake **315**.

The parking brake turns on automatically if:

- The seat contact switch is **not** activated.
- The engine is turned off.

The parking brake can **not** be turned off if:

- The slewing gear was turned off by the LICCON overload protection.
- The working range limitation is active.

- ▶ Actuate the switch **411**.

Result:

- The parking brake is turned off.



DANGER

Uncontrolled turning crane!

If the parking brake is turned off and the master switch 2 **440** is **not** deflected, the crane superstructure, as a result of external forces (such as wind, incline position of the crane, etc.), can turn slowly due to leakage in the closed hydraulic circuit.

- ▶ With the parking brake turned off and the master switch 2 **440 not** deflected, check that the crane does not turn uncontrollably!

- ▶ Press switch **411** again.

Result:

- The parking brake is turned on.

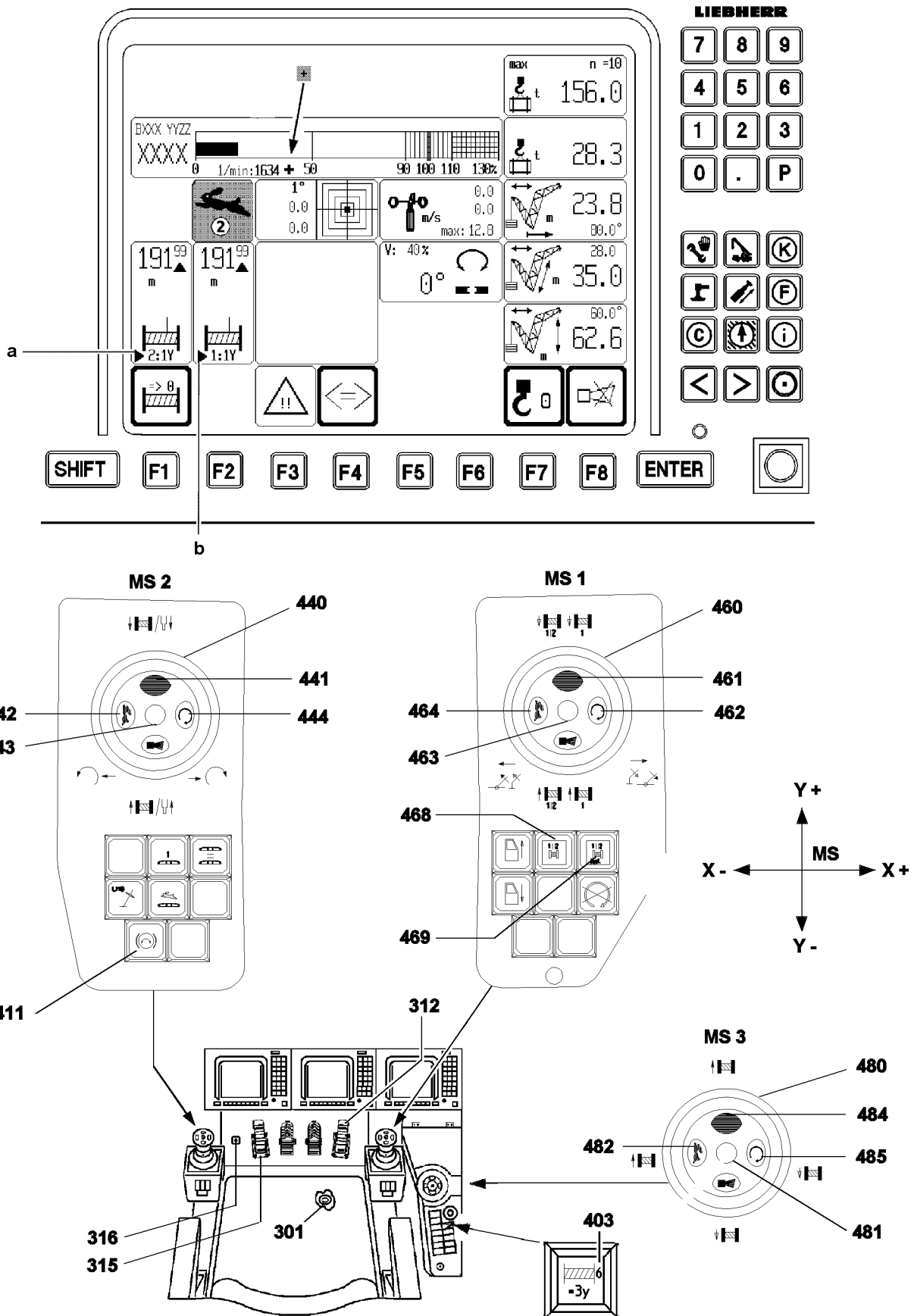


Fig.113073

6.3 Switching the slewing gear to coasting

In order to position the boom over the load more easily, the slewing gear can be switched to coasting.

The master switch 2 **440** may not be deflected while doing so.

The slewing gear **cannot** be switched to coasting in these situations:

- The slewing gear was turned off by the LICCON overload protection.
- The working range limitation is active.

- ▶ Press the foot button **315**.

Result:

- The slewing gear is switched to coasting.

Problem remedy

With the slewing gear released, the superstructure turns unintentionally to the side (for example due to wind).

- ▶ Do not release the foot button **315**.
 - ▶ Deflect the master switch 2 **440** in slewing direction and then release the foot button **315**.
 - ▶ Slow down the slewing movement by slowly resetting the master switch 2 **440**.
-

6.4 Applying the slewing gear brake



CAUTION

Risk of damaging the crane or the roller ring connection!

The slewing gear brake cannot brake all the torque.

- ▶ For that reason, the slewing gear brake **315** may only be used at minimum turning speeds, in other words with master switch 2 **440** almost at the neutral position.
 - ▶ Do not brake the slewing movement of the crane by moving master switch 2 **440** abruptly to the neutral position and / or by abruptly applying the slewing gear brake **315**!
-

The slewing gear brake **315** is only to be used in the following situations:

1. Starting out in strong side wind
2. Stopping the slewing movement in strong side wind

6.4.1 Starting out in strong side wind

When turning against the wind in strong side wind and with a long boom system, then the superstructure will turn into the opposite direction due to leakage in the hydraulic motor.

This can be avoided as follows:

- ▶ Actuate the slewing gear brake **315** and move master switch 2 **440** to the desired turning direction.
- ▶ Slowly release the slewing gear brake **315** until the superstructure turns in the desired slewing direction.

6.4.2 Stopping the slewing movement in strong side wind

- ▶ Slow down the crane with master switch 2 **440** to minimum slewing speed.
- ▶ Apply the slewing gear brake **315** carefully until the crane has come to a standstill at the desired position.

Fig.195219

LWE/LR 11350-005/19004-04-02/en

1 Wire ropes and rope end connections

1.1 Wire ropes

Check if a **rotating resistant** or a **non-rotating** rope is required for the application. The selected type of rope then requires the corresponding rope end connections, see Crane operating instructions, chapter 8.04.



Note

- ▶ Correct choice and use of the wire rope and the rope end connections are a decisive precondition for proper and accident-free crane operation.



DANGER

Incorrect rope type!

Danger of severe injuries to personnel and property damage.

- ▶ **Never** use rotation-resistant ropes with a rotating rope end connection.
- ▶ **Never** install a twist compensator / swivel.

1.2 Rope end connections

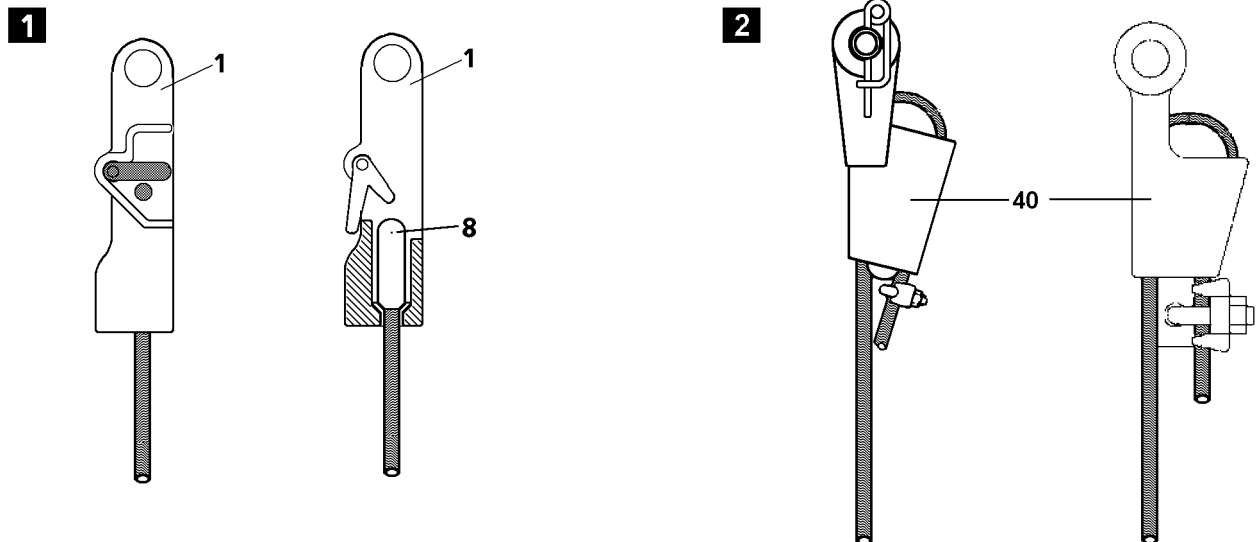


Fig.122724: Rope end connections

Rope end connections are grouped into:

- Rope end connections with rope clamp **8**
For that, use a rope lock **1**, see illustration **1**
- Rope end connections without rope clamp
For that, use a wedge lock **40**, see illustration **2**

2 Reeving the hoist rope



WARNING

Slipping at assembly work!

Danger of falling.

Death, severe injury, property damage.

- ▶ The boom system may only be accessed if the assembly personnel is protected with suitable safety measures to prevent them from falling.
 - ▶ If retaining ropes are present on the boom system, then the assembly personnel must hang an approved fall arrest system to the retaining ropes of the boom system on the left and right with both snap hooks and secure themselves to prevent them from falling.
 - ▶ Without appropriate safety measures it is **strictly** prohibited to step on the boom system.
 - ▶ If railings are present for the crane, then they must be brought into the corresponding position and secured for assembly / disassembly.
 - ▶ Carry out all assembly work from a safe location.
 - ▶ Observe the assembly guidelines in the Crane operating instructions, chapter 5.01.
-

Make sure that the following prerequisites are met:

- The ground is level and of sufficient load bearing capacity.
- **Only for cranes with crane support:** The crane is properly supported.
- The crane is aligned in horizontal direction.
- The crane is ballasted according to the load chart.
- The LICCON overload protection has been set according to the load chart.
- The slewing gear brake is applied.
- The boom end section is just above the ground.

2.1 Reeving in the hoist rope with the assembly winch

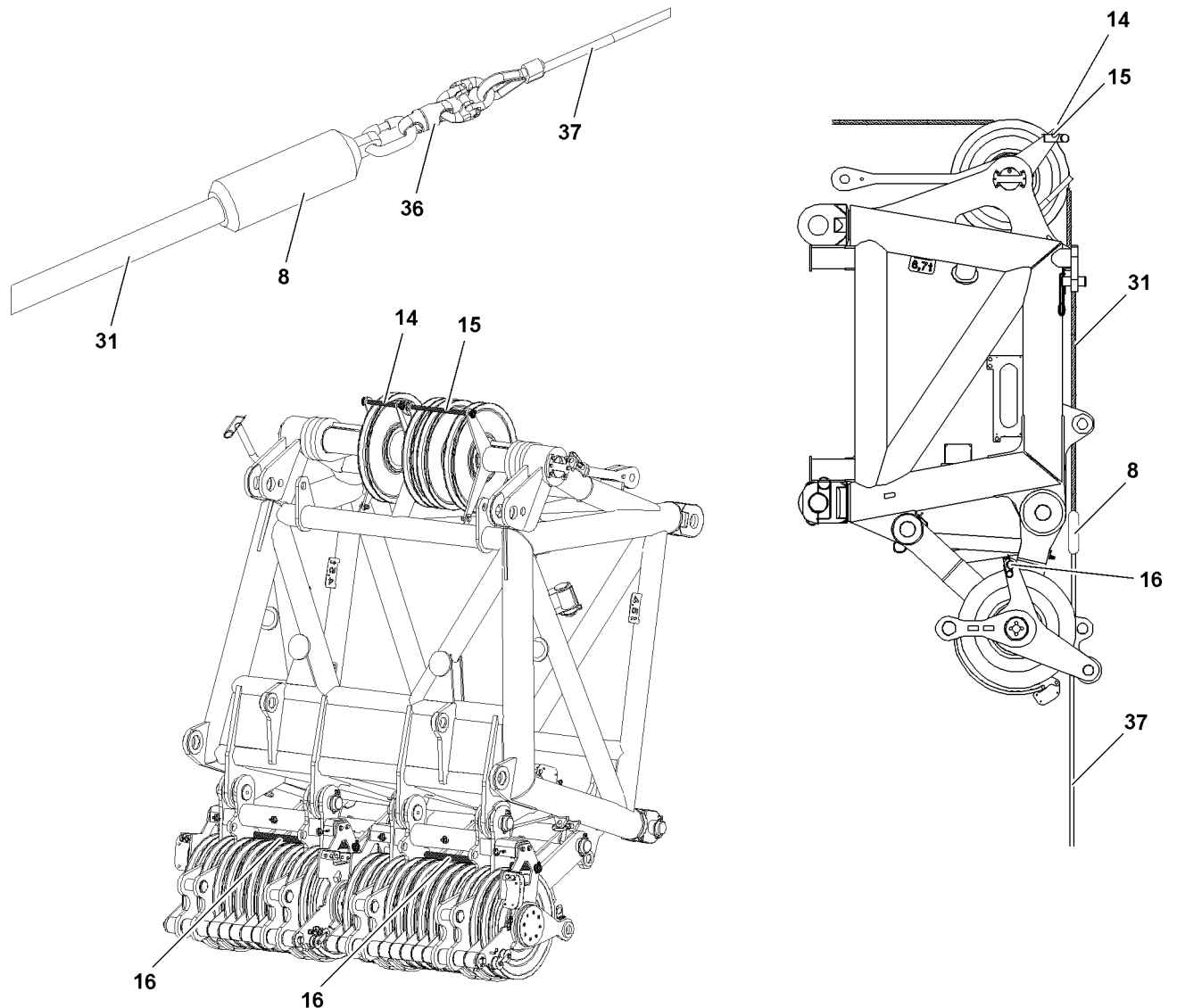


Fig.121853: Reeving with assembly winch

- ▶ Wear approved fall arrest system and protective equipment, see Crane operating instructions, chapter 2.04.
- ▶ Bring the fall protection equipment on the crane superstructure and on the lattice boom in operating position and secure, see Crane operating instructions, chapter 2.06.
- ▶ Properly hang the fall arrest system on the intended safety ropes and / or fastening points.
- ▶ Switch the assembly winch to freewheel.
- ▶ Remove the rope retaining pin **14**, rope retaining pin **15** and rope retaining pin **16**.
- ▶ Connect the auxiliary rope **37** with the auxiliary reeving rope (hemp rope).
- ▶ Reeve in the auxiliary rope **37** in the reverse direction between the hook block and the pulley head.
- ▶ Bring the auxiliary rope **37** with the auxiliary reeving rope (hemp rope) upward over the back pulley, which is to be reeved according to the reeving plan.
- ▶ Pull the auxiliary rope **37** to the rear to the hoist winch.
- ▶ Release the auxiliary reeving rope (hemp rope) from the auxiliary rope **37**.

When the auxiliary rope is on the hoist winch:

- ▶ Connect the auxiliary rope **37** with the hoist rope **31**: Open the connector link **36**, connect it with the eyehook of the lock clamp **8** and close the connector link **36**.
- ▶ Turn the freewheel off on the assembly winch.

NOTICE

Hoist rope tension too low!

Slack rope formation.

▶ Permit no slack rope on the hoist winch and the assembly winch.

▶ Reeve in the hoist rope **31**: Spool the hoist rope **31** from the hoist winch and simultaneously spool up the auxiliary rope **37** on the assembly winch.

When the hoist rope **31** is reeved:

▶ Release the auxiliary rope **37** from the hoist rope **31**.

▶ Spool the auxiliary rope on the assembly winch.

▶ Pin and secure the rope retaining pin **14**, rope retaining pin **15** and rope retaining pin **16**.

▶ Hang the hoist rope properly in on the rope lock, see section „Hanging the hoist rope in on the rope lock“.

When the hoist rope is properly hung in on the rope lock:

▶ Attach the hoist limit switch weight, see section „Attaching the hoist limit switch weight“.

**Note**

Parallel operation of winch 1 and winch 2!

▶ Repeat the above described reeving procedure with the second hoist rope.

▶ Observe the reeving plan.

3 Reeving the hook block in and out

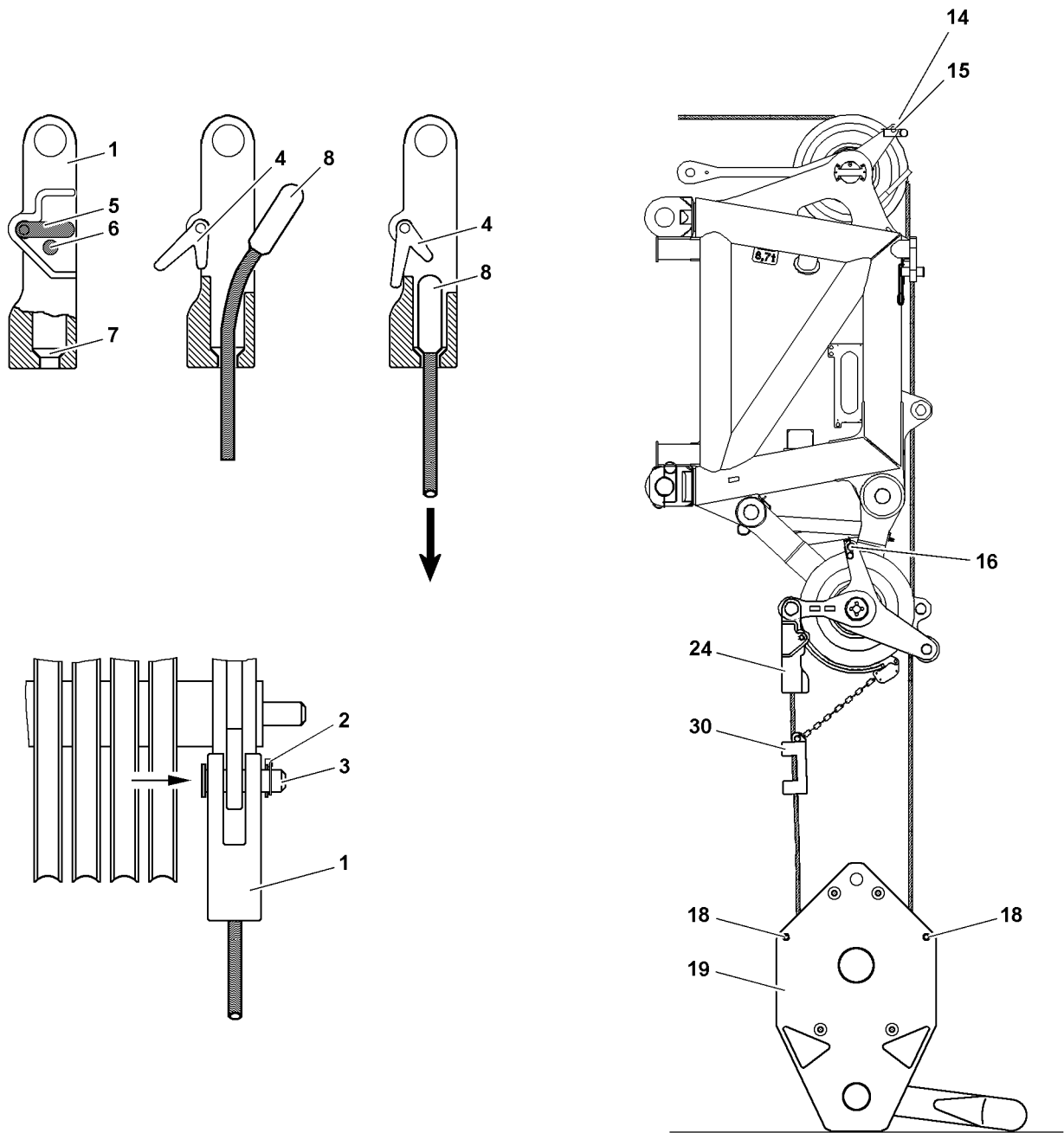


Fig.121855: Details Reeving Hook block

LWE/LR 11350-005/190004-04-02/en

3.1 Reeving in the hook block



WARNING

Toppling of hook block!

If the retaining pins are **not** pinned in the pulley block / the pulley blocks of the hook block before placing the hook block down, then the pulley blocks / the hook block can topple over when unreeving the hoist rope.

Death, severe injury, property damage.

- ▶ Pin the retaining pins, see Crane operating instructions, chapter 5.19 or separate operating instructions.

3.1.1 Preparing the hook block

Make sure that the following prerequisites are met:

- The crane is aligned in horizontal direction.
- The slewing gear brake is applied.
- The hook block is set down on the ground properly.
- The boom is luffed down to the point where the pulley head is above the hook block.
- An assistant is present to guide the hoist rope.



WARNING

Danger of accident due to side wind!

If the slewing gear brake is released after reeving / unreeving the hook block / the load hook, then the crane can turn uncontrolled in strong side wind.

Death, severe injury, property damage.

The crane can collide with close-by structures or objects.

- ▶ Make sure that the current wind speed does not exceed the values from the wind speed chart when releasing the slewing gear brake.

NOTICE

Hook block incorrectly reeved!

Damage to the hoist rope.

- ▶ Always carry out the reeving of the hoist rope according to the reeving plan.
- ▶ The rope fixed point on the hook block is to be selected in such a way that the last strand runs parallel to the remaining rope strands, as much as possible.
- ▶ Set the required hook block under the boom head.
- ▶ At the hook block **19**, remove the spring retainers **18** for both rope retaining pins and pull them both out.



WARNING

Slipping at assembly work!

Danger of falling.

Death, severe injury, property damage.

- ▶ The boom system may only be accessed if the assembly personnel is protected with suitable safety measures to prevent them from falling.
- ▶ If retaining ropes are present on the boom system, then the assembly personnel must hang an approved fall arrest system to the retaining ropes of the boom system on the left and right with both snap hooks and secure themselves to prevent them from falling.
- ▶ Without appropriate safety measures it is **strictly** prohibited to step on the boom system.
- ▶ If railings are present for the crane, then they must be brought into the corresponding position and secured for assembly / disassembly.
- ▶ Carry out all assembly work from a safe location.
- ▶ Observe the assembly guidelines in the Crane operating instructions, chapter 5.01.

- ▶ Reeve the hook block.
- ▶ Insert the rope retaining pins again and secure with spring retainers.

3.1.2 Hook the hoist rope on the rope lock

NOTICE

Hoist rope is incorrectly installed!
Damage to the hoist rope.

▶ Always insert the pins **3** from „inside to outside“ and secure from the outside.

- ▶ The rope lock **1** must be pinned in either at the pulley head or on the hook block and secured with locking pins **2**, depending on reeving.
- ▶ On the rope lock **1**, push the retaining pin **6** in.
- ▶ Swing the lever **5** „down“ and hold it in this position.

Result:

– The latch **4** is swung „downward“.

- ▶ Attach the rope end with the locking clamp **8** in the rope lock **1** and pull „down“ firmly (in direction of arrow), until the locking clamp **8** is touching in the cone **7**.



WARNING

Locking clamp is incorrectly installed!
Danger of accident.
Death, severe injuries, property damage.

- ▶ The locking clamp **8** must touch on the cone **7** after hanging it into the rope lock **1** and must be secured by the latch **4**.

- ▶ Release the lever **5**.

Result:

– The lever **5** returns to the initial position and is locked by the retaining pin **6**.

- ▶ Check the rope retainer. Visual check.

3.2 Unreeving the hook block



WARNING

Toppling of hook block!

If the retaining pins are **not** pinned in the pulley block / the pulley blocks of the hook block before placing the hook block down, then the pulley blocks / the hook block can topple over when unreeving the hoist rope.

Death, severe injury, property damage.

- ▶ Pin the retaining pins, see Crane operating instructions, chapter 5.19 or separate operating instructions.

Make sure that the following prerequisites are met:

- The ground is level and of sufficient load bearing capacity.
- **Only for cranes with crane support:** The crane is properly supported.
- The crane is aligned in horizontal direction.
- The crane is ballasted according to the load chart.
- The LICCON overload protection has been set according to the load chart.
- The slewing gear brake is applied.
- The boom end section is just above the ground.



WARNING

Danger of accident due to side wind!

If the slewing gear brake is released after reeving / unreeving the hook block / the load hook, then the crane can turn uncontrolled in strong side wind.

Personnel can be severely injured or killed.

The crane can collide with close-by structures or objects.

- ▶ Make sure that the current wind speed does not exceed the values from the wind speed chart when releasing the slewing gear brake.

3.2.1 Lowering the hook block



WARNING

Crushing of hands!

When unreeving the hook block, it can topple over.

Death, severe injury, property damage.

- ▶ Use the handles in the safe area of the hook block.
- ▶ Make sure the hook block is safely positioned.
- ▶ Lower the hook block and set it on the ground.
- ▶ Remove the hoist limit switch weight.

3.2.2 Detaching the hoist rope

- ▶ On the rope lock **1**, push the retaining pin **6** in.
- ▶ Swing the lever **5** „down“ and hold it in this position.

Result:

- The latch **4** is swung downward.
- The locking clamp **8** is released.
- ▶ Push the hoist rope up and detach the locking clamp **8**.
- ▶ Release and unpin the rope retaining pin on the hook block.
- ▶ Unreeve the hoist rope from the hook block and the pulley head.
- ▶ Insert the rope retaining pins again and secure with spring retainers.

4 Attaching and removing the load hook*

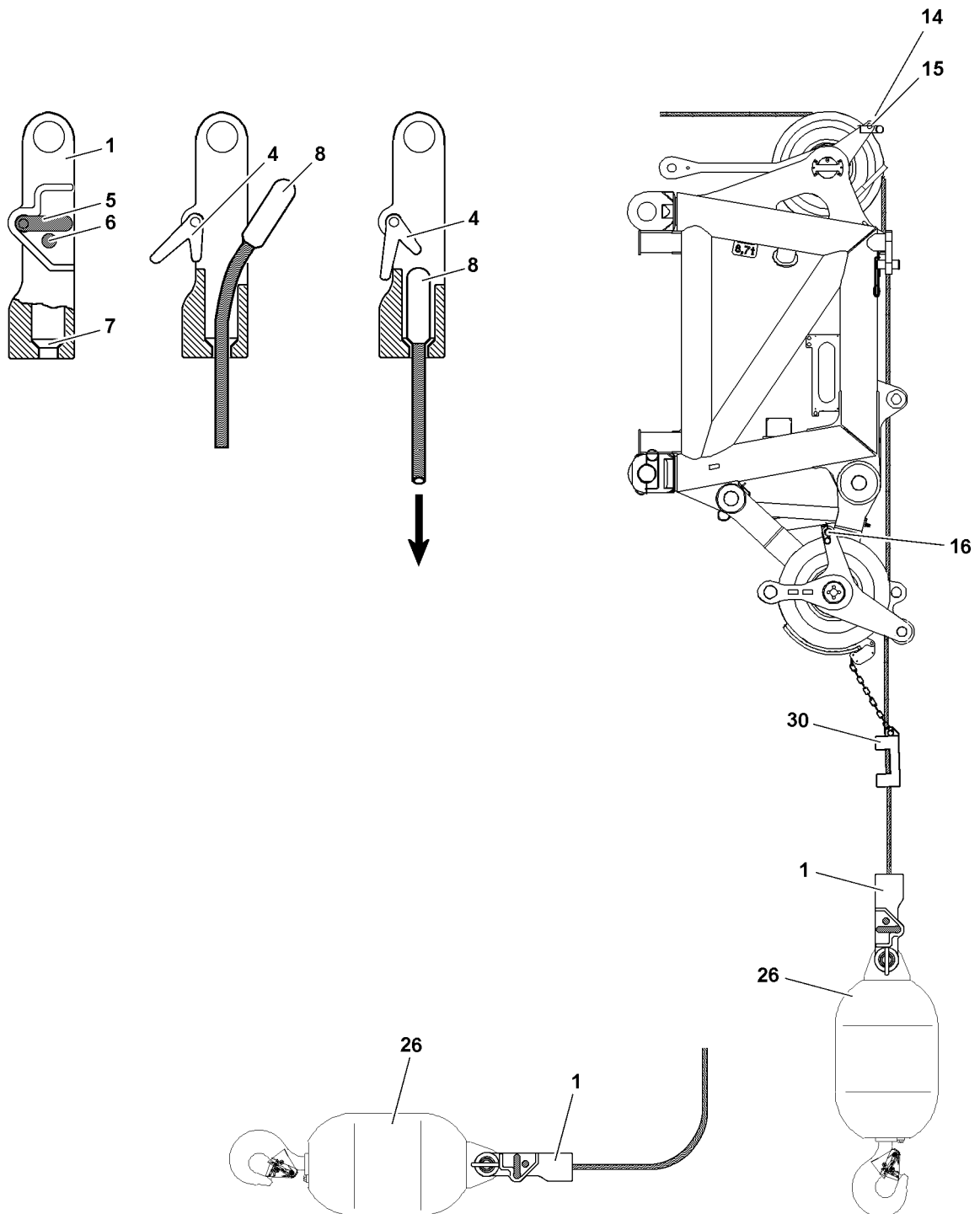


Fig.121854: Fastening load hook

4.1 Fastening the load hook*

4.1.1 Assembling the load hook*

- ▶ Place the load hook under the pulley head of the boom.
- ▶ Release and unpin the rope retaining pins on the back pulley and on the pulley head.

LWE/LR 11350-005/19004-04-02/en

**WARNING**

Slipping at assembly work!

Danger of falling.

Death, severe injury, property damage.

- ▶ The boom system may only be accessed if the assembly personnel is protected with suitable safety measures to prevent them from falling.
- ▶ If retaining ropes are present on the boom system, then the assembly personnel must hang an approved fall arrest system to the retaining ropes of the boom system on the left and right with both snap hooks and secure themselves to prevent them from falling.
- ▶ Without appropriate safety measures it is **strictly** prohibited to step on the boom system.
- ▶ If railings are present for the crane, then they must be brought into the corresponding position and secured for assembly / disassembly.
- ▶ Carry out all assembly work from a safe location.
- ▶ Observe the assembly guidelines in the Crane operating instructions, chapter 5.01.

- ▶ Place the hoist rope over the back pulley on the boom head.
- ▶ Insert the rope retaining pins again and secure with spring retainers.
- ▶ Pin the rope lock **1** in the load hook **26** and secure with spring retainers.

4.1.2 Fastening the hoist rope

Make sure that the following prerequisites are met:

- The crane is aligned in horizontal direction.
- The slewing gear brake is applied.
- The hook block is set down on the ground properly.
- The boom is luffed down to the point where the pulley head is above the hook block.
- An assistant is present to guide the hoist rope.

**WARNING**

Danger of accident due to side wind!

If the slewing gear brake is released after reeving / unreeving the hook block / the load hook, then the crane can turn uncontrolled in strong side wind.

Personnel can be severely injured or killed.

The crane can collide with close-by structures or objects.

- ▶ Make sure that the current wind speed does not exceed the values from the wind speed chart when releasing the slewing gear brake.
- ▶ On the rope lock **1**, push the retaining pin **6** in.
 - ▶ Swing the lever **5** „down“ and hold it in this position.

Result:

- The latch **4** is swung „downward“.
- ▶ Attach the rope end with the locking clamp **8** in the rope lock and pull the rope firmly „downward“ (in direction of arrow), until the locking clamp **8** is placed in the cone **7**.

**WARNING**

Locking clamp is incorrectly fastened!

Damage to locking clamp.

Death, severe injuries, property damage

- ▶ The locking clamp **8** must touch on the cone **7** after hanging it into the rope lock **1** and must be secured by the latch **4**.

- ▶ Release the lever **5**.

Result:

- The lever **5** returns to the initial position and is locked by the retaining pin **6**.

4.2 Removing the load hook*

Make sure that the following prerequisites are met:

- The ground is level and of sufficient load bearing capacity.
- **Only for cranes with crane support:** The crane is properly supported.
- The crane is aligned in horizontal direction.
- The slewing gear brake is applied.
- The load hook is prepared for installation.
- An assistant is present to guide the hoist rope.

4.2.1 Lowering the load hook



WARNING

Crushing of hands!

When unreeving the hook block, it can topple over.

Death, severe injury, property damage.

- ▶ Use the handles in the safe area of the hook block.
- ▶ Make sure the hook block is safely positioned.

- ▶ Place the load hook **26** on the ground.
- ▶ Remove the hoist limit switch weight.

4.2.2 Detaching the hoist rope



WARNING

Danger of accident due to side wind!

If the slewing gear brake is released after reeving / unreeving the hook block / the load hook, then the crane can turn uncontrolled in strong side wind.

Death, severe injury, property damage.

The crane can collide with close-by structures or objects.

- ▶ Make sure that the current wind speed does not exceed the values from the wind speed chart when releasing the slewing gear brake.

- ▶ On the rope lock **1**, push the retaining pin **6** in.
- ▶ Swing the lever **5** „down“ and hold it in this position.

Result:

- The latch **4** is swung „downward“.
- The locking clamp **8** is released.
- ▶ Push the hoist rope in the direction of the load hook and detach the locking clamp **8**.
- ▶ Remove the rope retaining pins on the pulley head and on the back pulley.
- ▶ Lift the hoist rope from the rope pulleys.
- ▶ Insert the rope retaining pins again and secure with spring retainers.

5 Attaching / removing the hoist limit switch weight

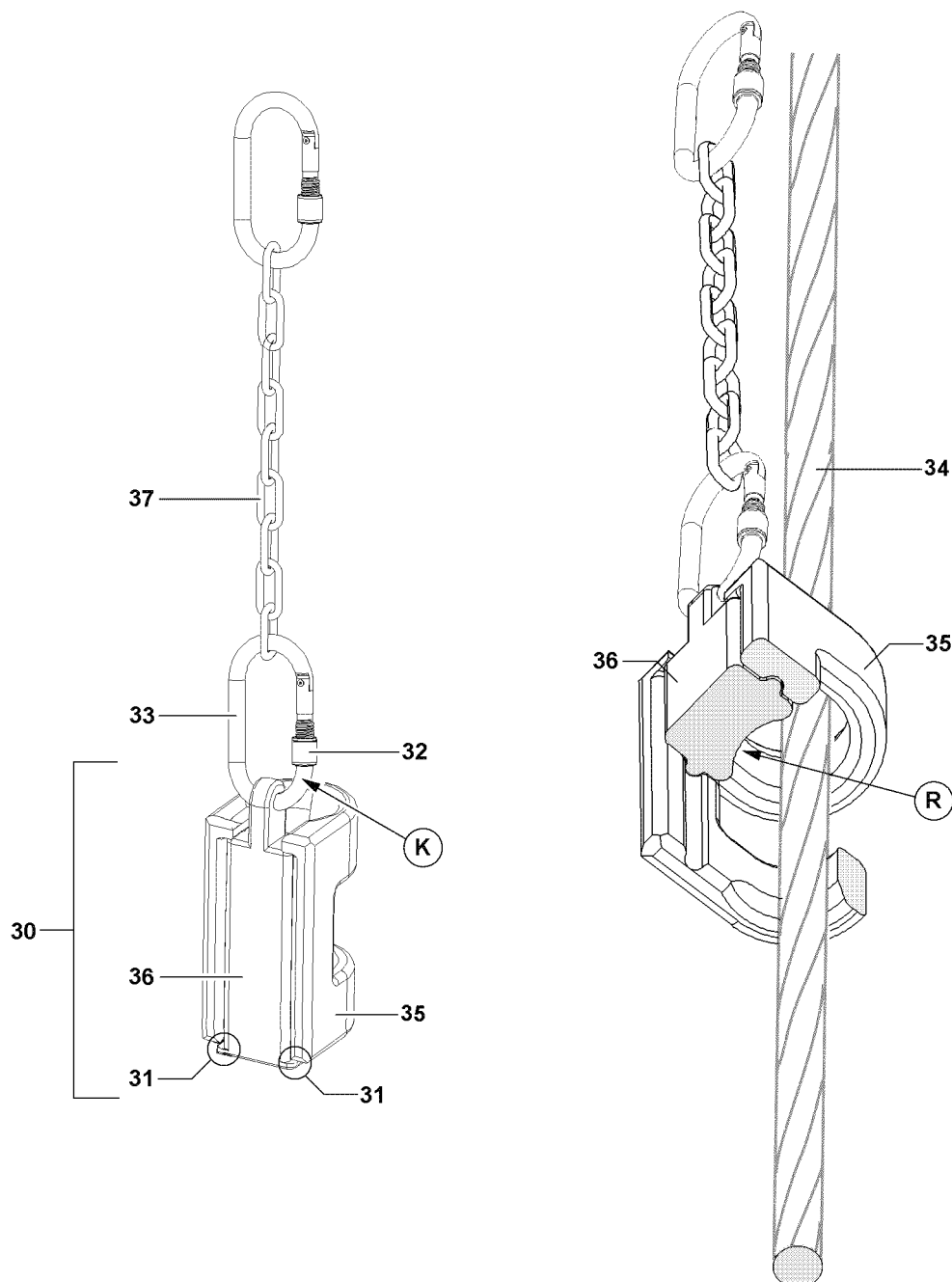


Fig.122728: Details Hoist limit switch weight

5.1 Attaching the hoist limit switch weight

The hoist limit switch weight **30** consists of two parts, which are pushed into each other:

- The weight **35**
- The carrier section **36**

► Loosen and open the screw retainer **32**.

**WARNING**

Hoist limit switch weight is incorrectly installed!

Hoist limit switch weight can fall down. Death, severe injuries.

- ▶ Do not replace the snap hook **33** with other parts, such as a shackle or similar.
- ▶ When detaching or attaching the hoist limit switch weight **30** make sure that the weight **35** and the carrier section **36** do not fall down.
- ▶ Make sure that the curvature **R** of the carrier section **36** points to the hoist rope **34**.
- ▶ Make sure that the noses **31** of the carrier section **36** is placed on the weight **35**.
- ▶ Make sure that the screw retainer **32** can be turned to be closed from top to bottom, point **K**.

The attachment of the hoist limit switch weight **30** depends on the position of the rope fixed point.

Rope fixed point on the pulley head:

- In the event of multiple hoist rope reeving, the hoist limit switch weight **30** must always be laid around the „stationary rope strand“, in other words around the rope strand that leads directly to the cable lock.

Rope fixed point on hook block:

- The hoist limit switch weight **30** is laid around the outer strand which shows the least diagonal pull, i.e. the one with the smallest angle between the hanging hoist limit switch weight and the hoist rope.

**Note**

- ▶ The chain **37** must be attached in full length during crane operation and may not be shortened.
- ▶ Push the weight **35** with one hand on the hoist rope **34** and hold.
- ▶ With the other hand, guide the carrier section **36** behind the hoist rope **34** and under the weight **35**. The curvature **R** of the carrier section **36** must point to the hoist rope **34**.
- ▶ Push the weight **35** on the carrier section **36**.
- ▶ Hang in the hoist limit switch weight **30** with the carrier section **36** in the snap hook **33**.

The snap hook **33** must be secured with the screw retainer **32**.

- ▶ Close the screw retainer **32** on the snap hook **33**.

5.2 Removing the hoist limit switch weight

**WARNING**

Hoist limit switch weight is incorrectly installed!

Hoist limit switch weight can fall down. Death, severe injuries.

- ▶ When detaching or attaching the hoist limit switch weight **30** make sure that the weight **35** and the carrier section **36** do not fall down.
- ▶ It is prohibited to remain within the danger zone.
- ▶ Release and open the screw retainer **32** on the snap hook **33**.
- ▶ Detach the hoist limit switch weight **30** from the snap hook **33**.
- ▶ Hold the weight **35** with one hand and with the other hand, push the carrier section **36** from the weight **35**.
- ▶ Store the weight **35** and carrier section **36** safely.

6 Assembling / disassembling the wedge lock

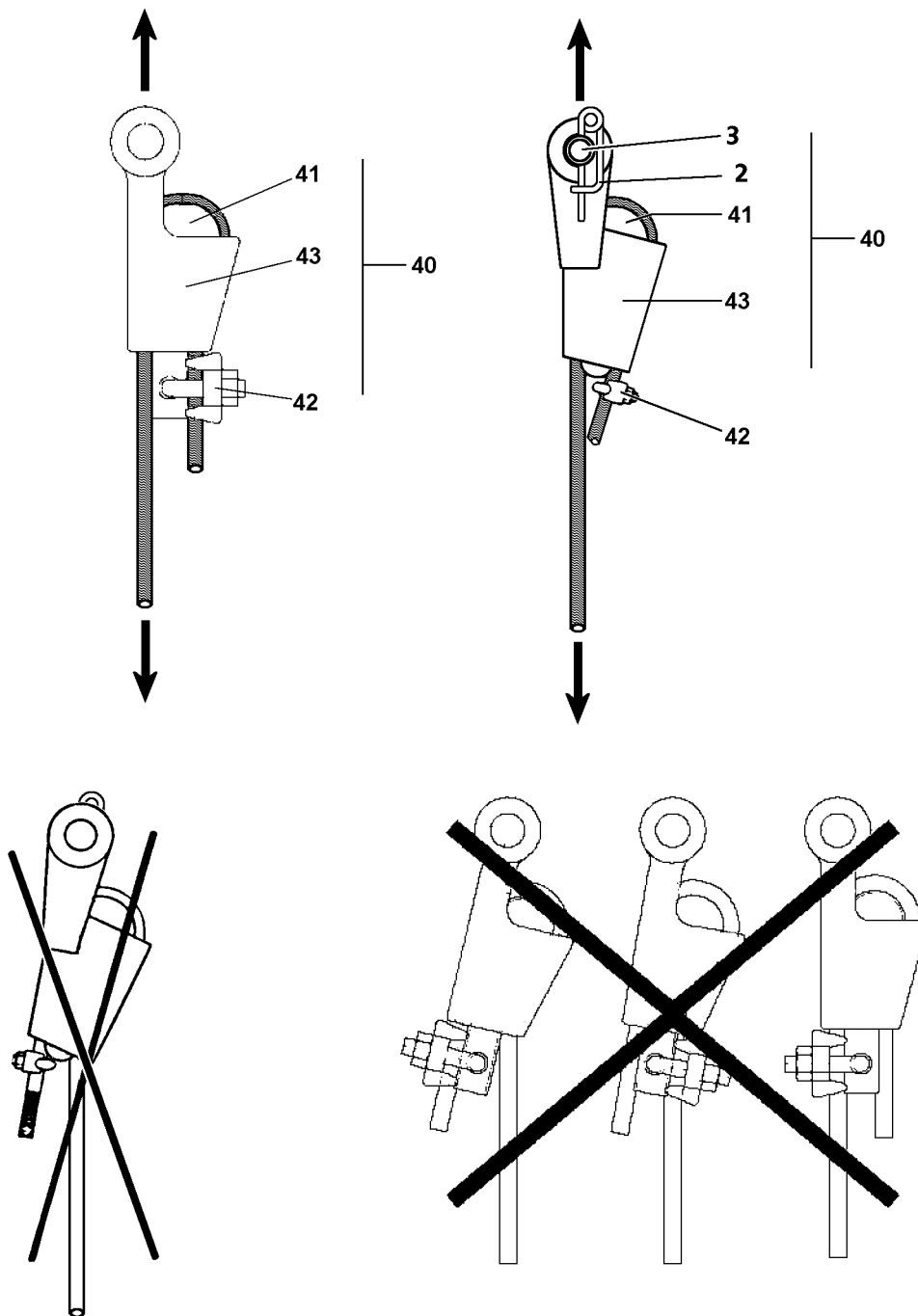


Fig.122729: Wedge lock

Make sure that the following prerequisites are met:

- The rope clamp is cut off on the hoist rope.
- The hook block or the load hook are ready for assembly.

6.1 Installing the wedge lock



WARNING

Wedge lock is incorrectly installed!

Hook block or load can fall down. Death, severe injuries, property damage.

- ▶ Use only a wedge lock **40** approved by Liebherr-Werk Ehingen.
- ▶ Install the wedge lock **40** correctly.
- ▶ Place the hoist rope with the wedge **41** into the housing **43** in such a way that the rope strand runs in the pull axle of the wedge lock **40**.
- ▶ The dead end of the rope must be secured by the clamp **42** to prevent it from being pulled through.
- ▶ It is prohibited for personnel to remain in the danger zone.

- ▶ Take a matching wedge lock **40** from the tool box.
- ▶ Place the hoist rope with the wedge **41** into the housing **43**.
- ▶ If possible, assemble the clamp **42** through the wedge **41** on the dead end of the rope.

NOTICE

Damage to the hoist rope!

If the pin **3** has been assembled incorrectly, the hoist rope may rub against the pin **3** or on the linch pin **2**.

- ▶ Always insert the pins **3** from „inside to outside“ and secure from the outside.
- ▶ Pin and secure the wedge lock **40** on the fixed point of the pulley head or on the fixed point of the hook block or on the load hook, depending on the reeving plan.

6.2 Removing the wedge lock

- ▶ Unpin the wedge lock **40** on the fixed point.
- ▶ Remove the clamp **42** and pull the hoist rope with the wedge from the housing.
- ▶ Store the wedge lock **40**.

7 Rope reeving



Note

- ▶ See separate reeving plans.

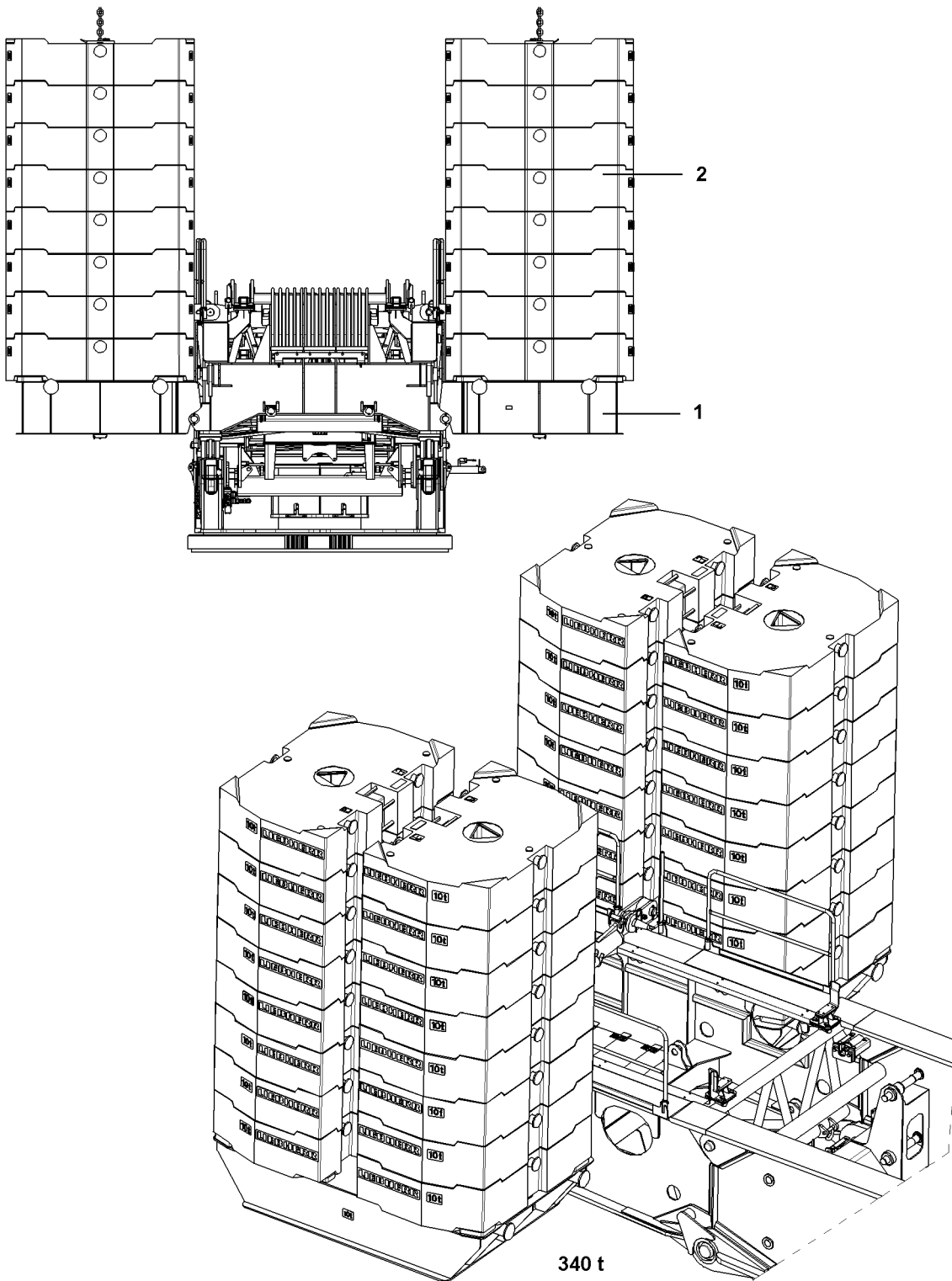


Fig.103023

LWE/LR 11350-005/19004-04-02/en

1 General

The base plates and the counterweight plates are marked with their own weight.

Weights

- Base plate **1** 10 t
- Counterweight plate **2** 10 t



DANGER

Danger of tipping the crane over during rotation!

If more than 200 t counterweight are installed on the turntable, then the crane can tip over when turning, without installed S-boom or SL-boom!

- ▶ The maximum permissible counterweight, without installed S-boom or SL-boom on the turntable is 200 t !
- ▶ It is prohibited, without installed S-boom or SL-boom, to place more than 200 t of counterweight on the turntable!



Note

- ▶ For the stabilization of the crane it is sufficient if the shortest S-boom or the SL-boom is installed on the turntable and if it is laying on the ground with its head piece. The S-guy rods do not have to be tensioned and can be slack, laying on the boom.



DANGER

Risk of accident if crane topples over!

The crane may be damaged or topple over if using a different counterweight than the one listed in the load chart.

- ▶ Attach counterweight in accordance with the information in the load chart!
- ▶ Replace damaged counterweight plates!

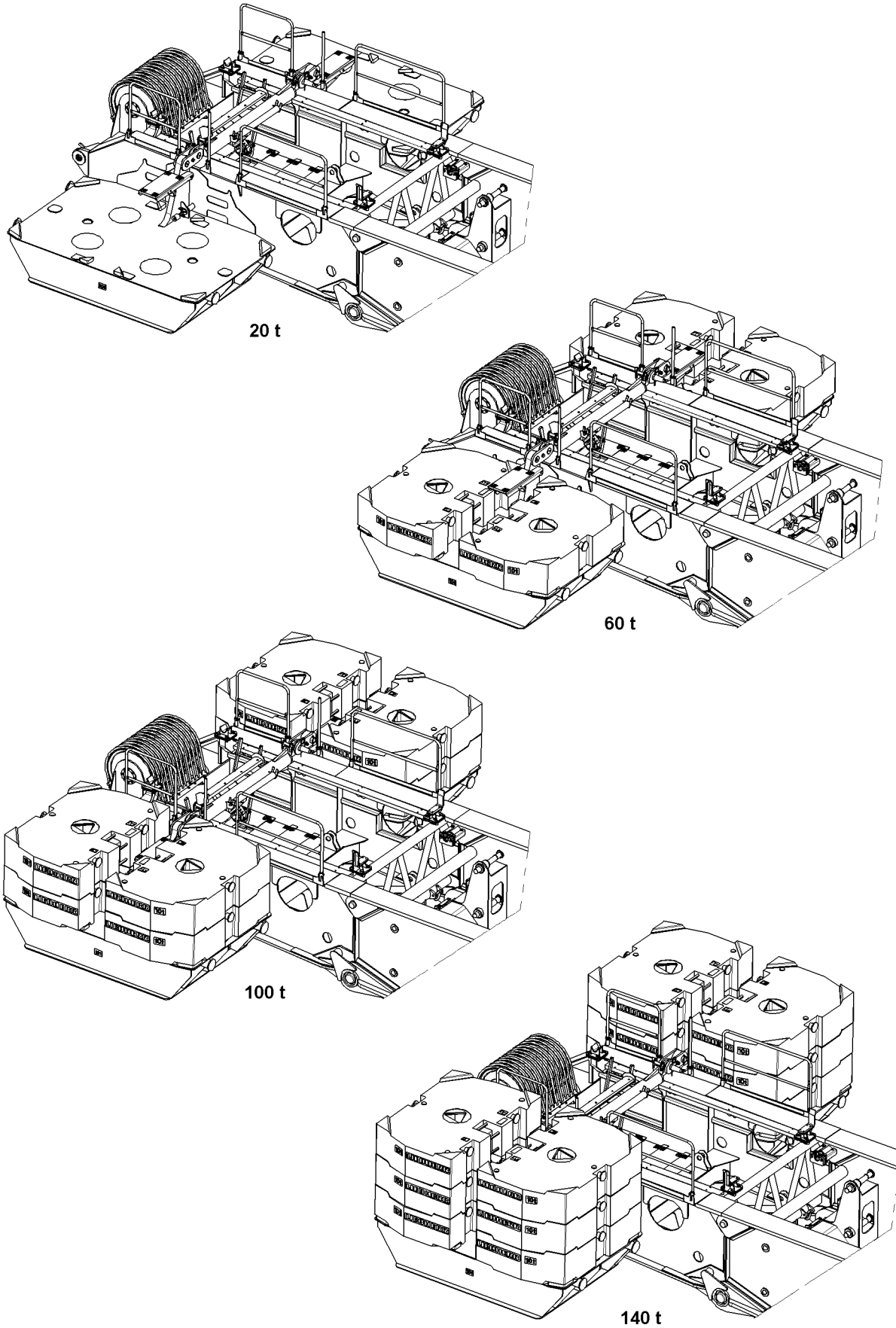


Fig.103024

LWE/LR 11350-005/19004-04-02/en

1.1 Counterweight combinations



CAUTION

Danger of damage to the crane when ballasting on the turntable!

- ▶ When reballasting, an unbalanced ballast condition of more than 50 t is not permissible!
- ▶ The weight difference between the right and the left counterweight stack may not exceed 50 t !

Counterweight [t]	Combination	Individual weight [t]
0	-	0

Counterweight [t]	Combination	Individual weight [t]
20	2 x base plate 1	10

Counterweight [t]	Combination	Individual weight [t]
60	2 x base plate 1	10
	4 x counterweight plate 2	10

Counterweight [t]	Combination	Individual weight [t]
100	2 x base plate 1	10
	8 x counterweight plate 2	10

Counterweight [t]	Combination	Individual weight [t]
140	2 x base plate 1	10
	12 x counterweight plate 2	10

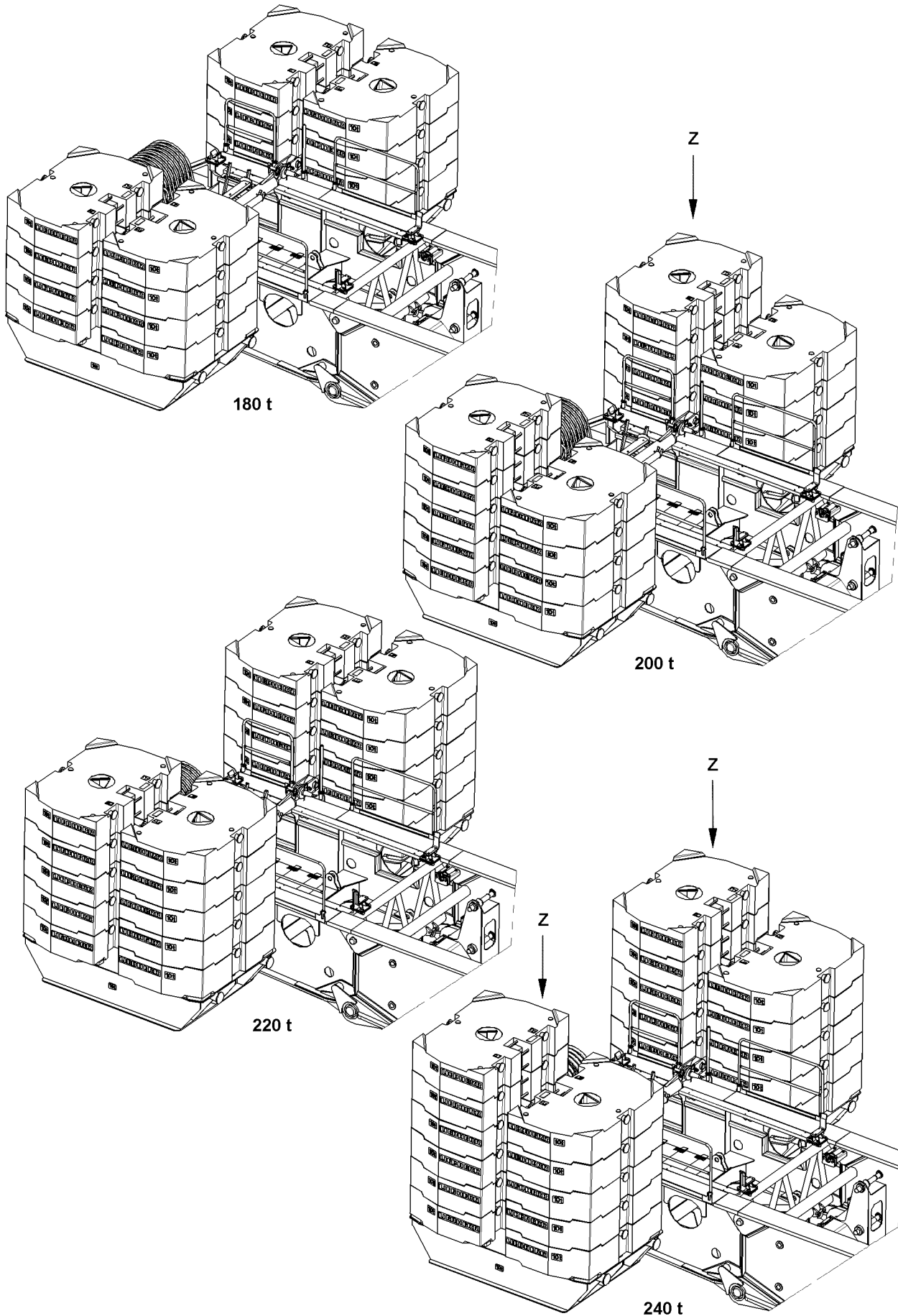


Fig.103025

LWE/LR 11350-005/19004-04-02/en

Counterweight [t]	Combination	Individual weight [t]
180	2 x base plate 1	10
	16 x counterweight plate 2	10

Counterweight [t]	Combination	Individual weight [t]
200	2 x base plate 1	10
	18 x counterweight plate 2	10

Counterweight [t]	Combination	Individual weight [t]
220	2 x base plate 1	10
	20 x counterweight plate 2	10

Counterweight [t]	Combination	Individual weight [t]
240	2 x base plate 1	10
	22 x counterweight plate 2	10

**DANGER**

Risk of accident

- ▶ In case of differing stack heights on one side, different numbers of counterweights, then the rear stack **Z** must always be the higher one.

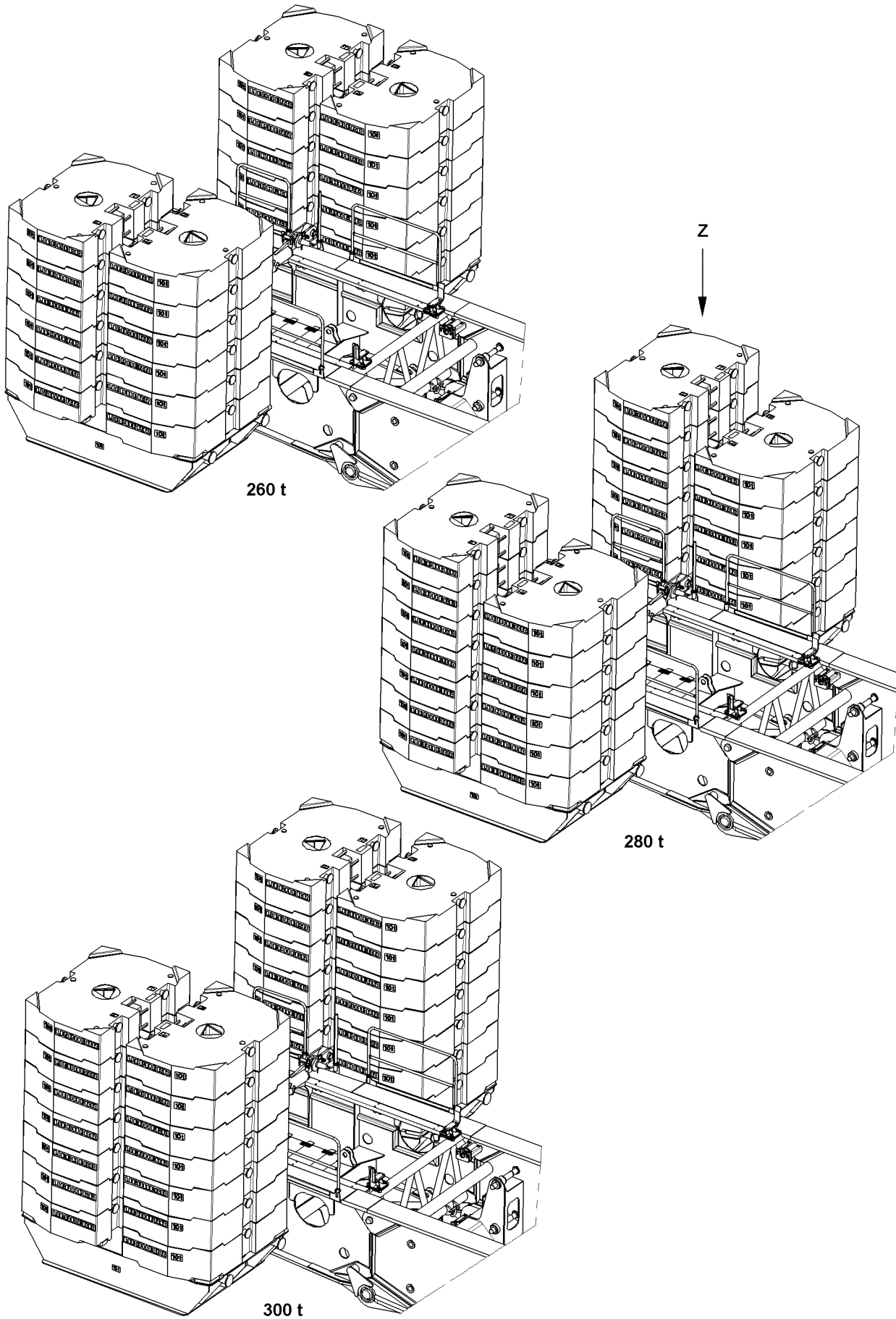


Fig.103026

LWE/LR 11350-005/19004-04-02/en

Counterweight [t]	Combination	Individual weight [t]
260	2 x base plate 1	10
	24 x counterweight plate 2	10

Counterweight [t]	Combination	Individual weight [t]
280	2 x base plate 1	10
	26 x counterweight plate 2	10

Counterweight [t]	Combination	Individual weight [t]
300	2 x base plate 1	10
	28 x counterweight plate 2	10

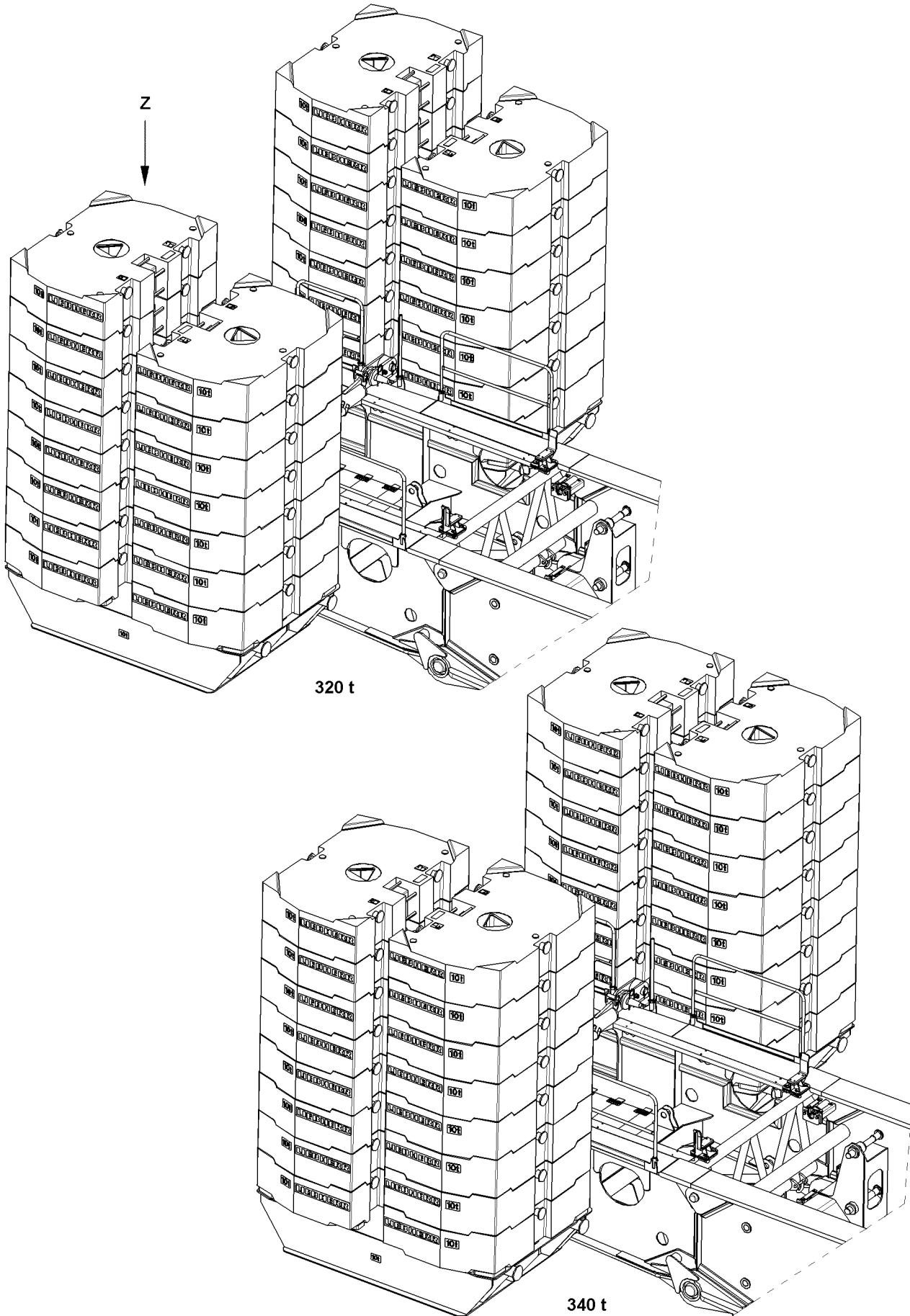


Fig.103027

LWELR 11350-005/19004-04-02/en

Counterweight [t]	Combination	Individual weight [t]
320	2 x base plate 1	10
	30 x counterweight plate 2	10

Counterweight [t]	Combination	Individual weight [t]
340	2 x base plate 1	10
	32 x counterweight plate 2	10

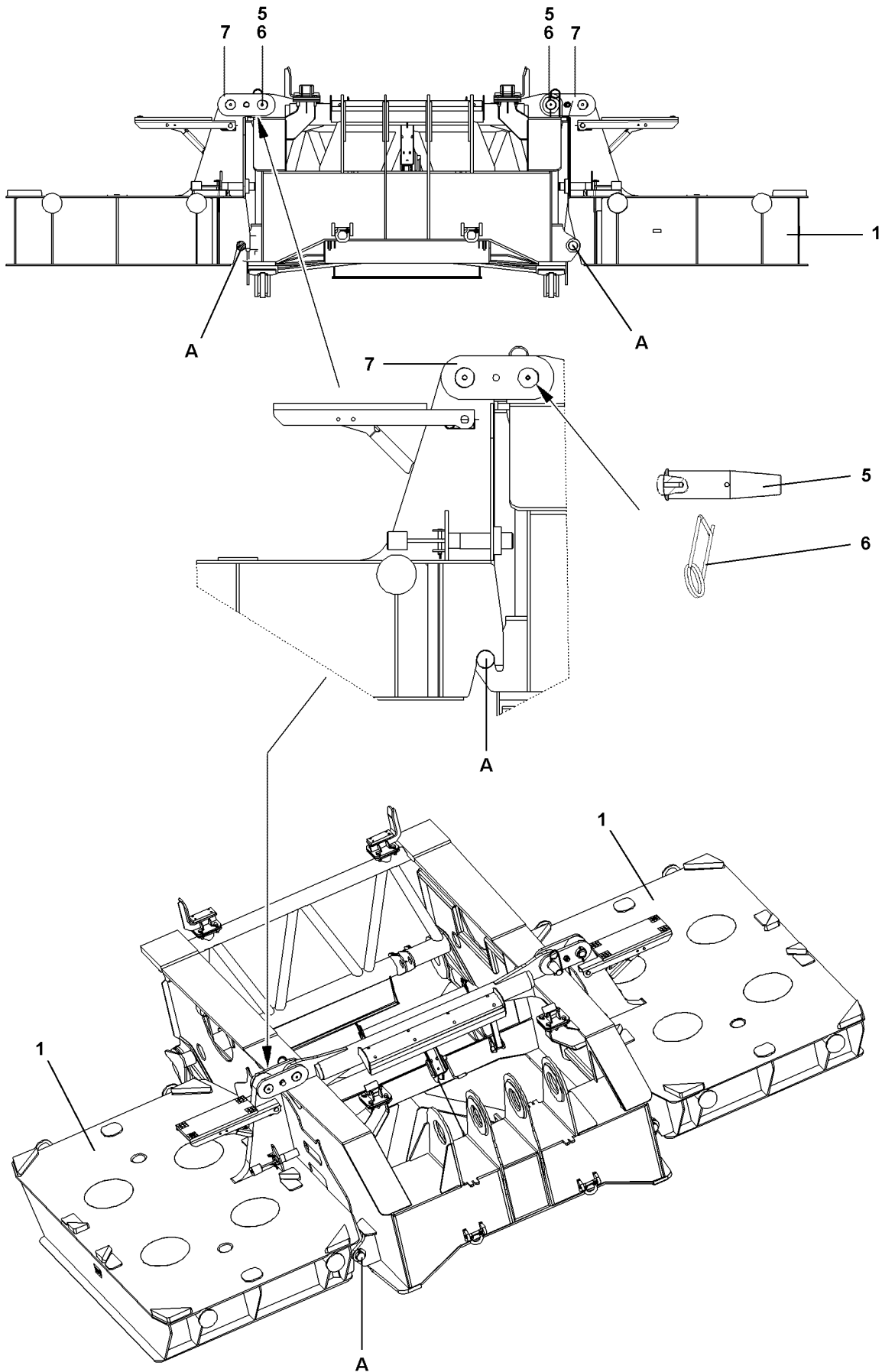


Fig.103028

LWE/LR 11350-005/19004-04-02/en

2 Assembly

Make sure that the following prerequisites are met:

- The crane is horizontally aligned.



DANGER

Risk of accident

- ▶ Ensure there are no personnel or objects within the danger zone when assembling and disassembling the counterweight!

2.1 Installing the base plate

	Component	Weight
1	Base plate	10 t
5	Pin	—
6	Cotter pin	—
7	Connector bracket	—

- ▶ Hang the base plate **1** onto the auxiliary crane.
- ▶ Hang the base plate **1** onto the turntable **A on the bottom**.
- ▶ Pin and secure the base plate **1** on the turntable **on top**.
- ▶ Insert the pin **5** and secure with spring retainer **6**.

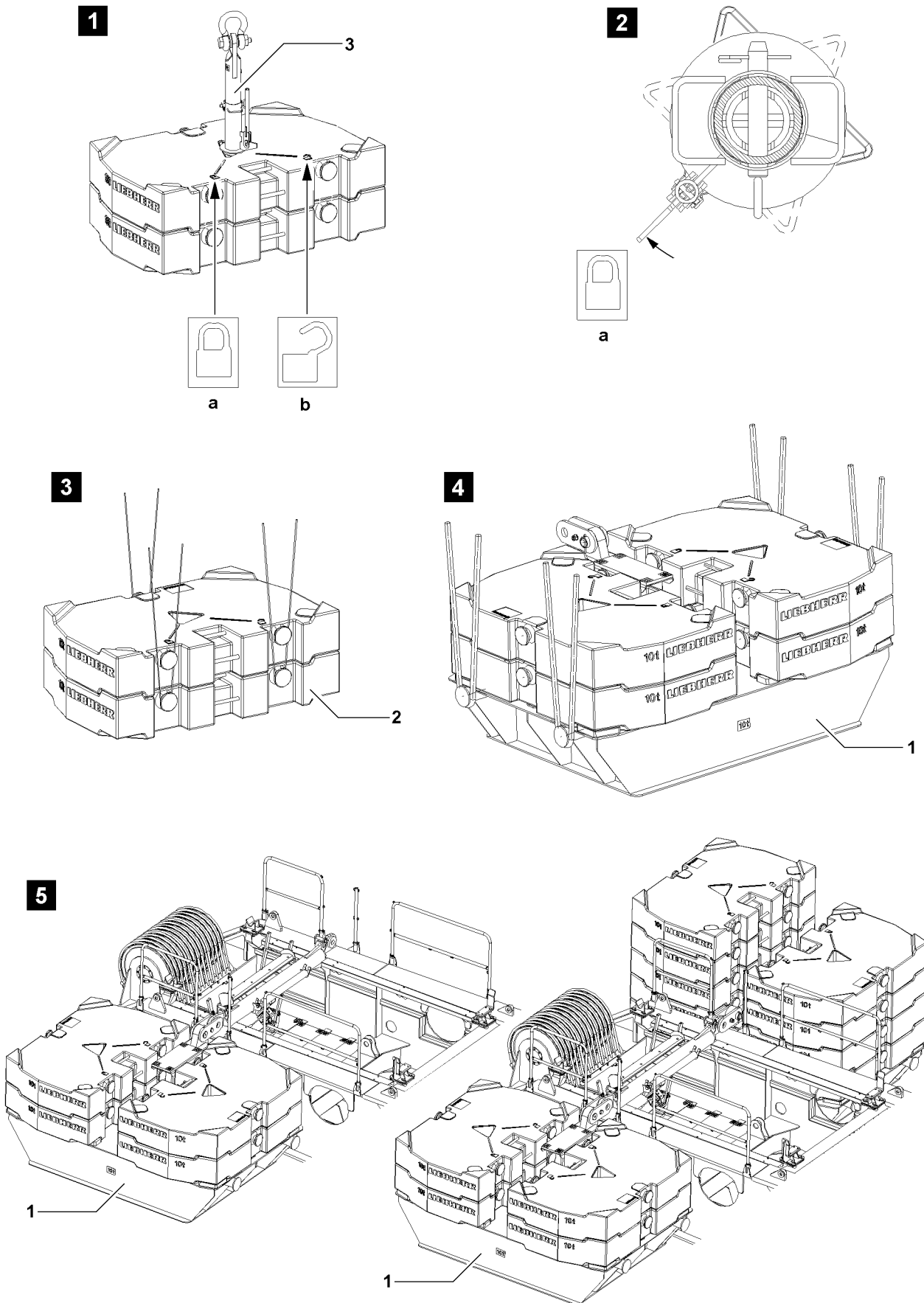


Fig.109394

LWE/LR 11350-005/19004-04-02/en

2.2 Ballasting

Make sure that the following prerequisites are met:

- The base plates **1** are pinned and secured on the turntable.



DANGER

The crane can topple over!

If more than 50 t are placed in one hoist onto the base plate **1** or on the ballast plates **2** or if the counterweight is asymmetrically installed, then the crane can topple over and kill personnel!

- ▶ Place no more than maximum 50 t ballast plates alternately on the left and right on the counterweight stack.
- ▶ Attach counterweight symmetrically.
- ▶ A weight difference between the right and left counterweight stack of more than 50 t * is prohibited!

Hang the counterweight plate **2** or ballast stack on the auxiliary crane and place on both sides on the base plates **1** or on an already placed counterweight plate **2**.



Note

- ▶ Place the counterweight plates individually or as a counterweight assembly, maximum 50 t.
- ▶ Weight difference maximum 50 t , see illustration **5**.

2.2.1 Permissible ballast assemblies



DANGER

Risk of accident

If more than the given loads are lifted with the receptacle stud **3** or the ropes, then they will be overloaded and the ballast plates can fall down and fatally injure personnel.

- ▶ Lift no more than maximum 20 t with the receptacle stud **3**.
- ▶ Lift no more than maximum 20 t with the ropes, 3 fastening points.
- ▶ Lift no more than maximum 50 t with the ropes over the base plate **1**, 4 fastening points.

Illustration **1**: 20 t Assembly **without** base plate



Note

- ▶ Position **a** = receptacle stud **3** closed
- ▶ Position **b** = receptacle stud **3** open for moving in / out

Ensure that the following prerequisite is met for lifting:

- The receptacle stud **3** must be in position **a**: receptacle stud **3** closed, see illustration **2**.

Illustration **2**: 20 t Assembly **without** base plate

Illustration **3**: 50 t Packet **with** base plate

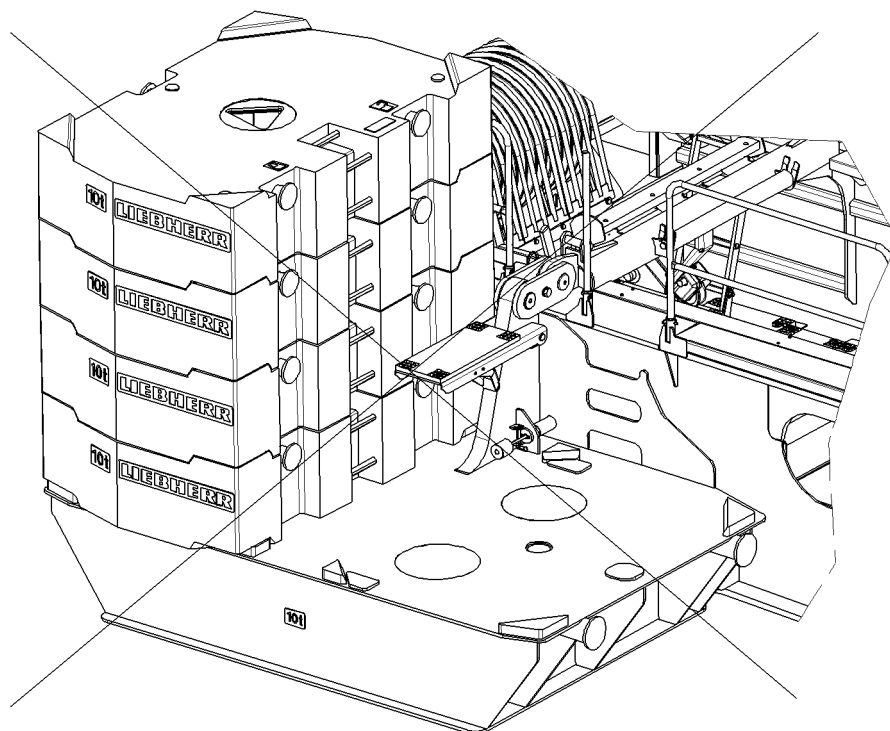
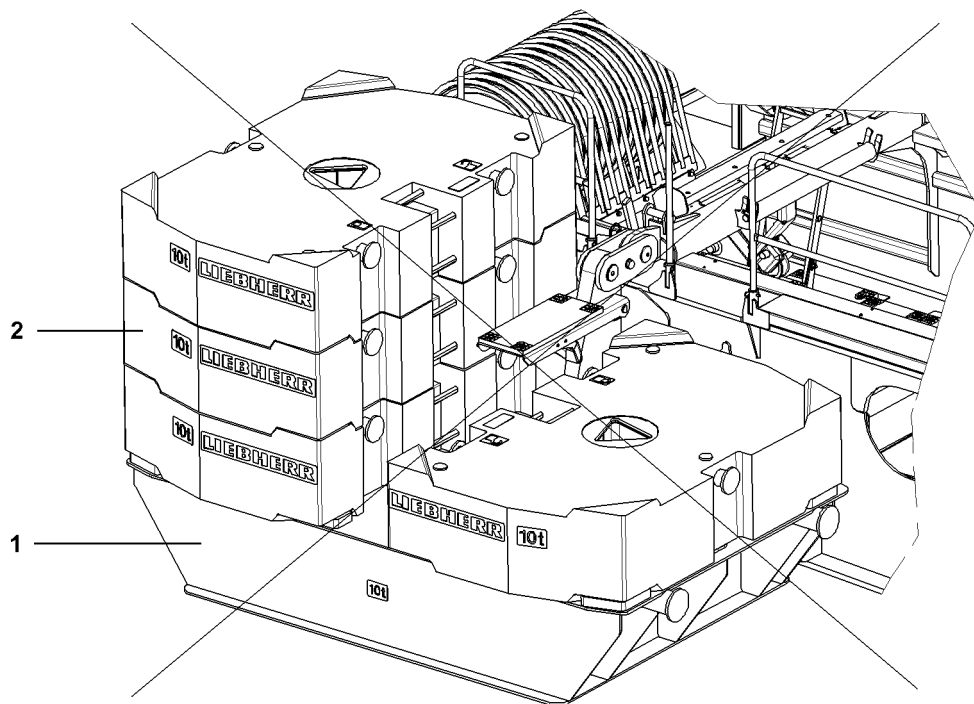


Fig.103030

2.2.2 Ballasting on a base plate



DANGER

Damage to crane!

- ▶ The stack difference on a base plate **1** may not be more than one 10 t counterweight plate **2**.
-

Place the counterweight plates **2** alternately.

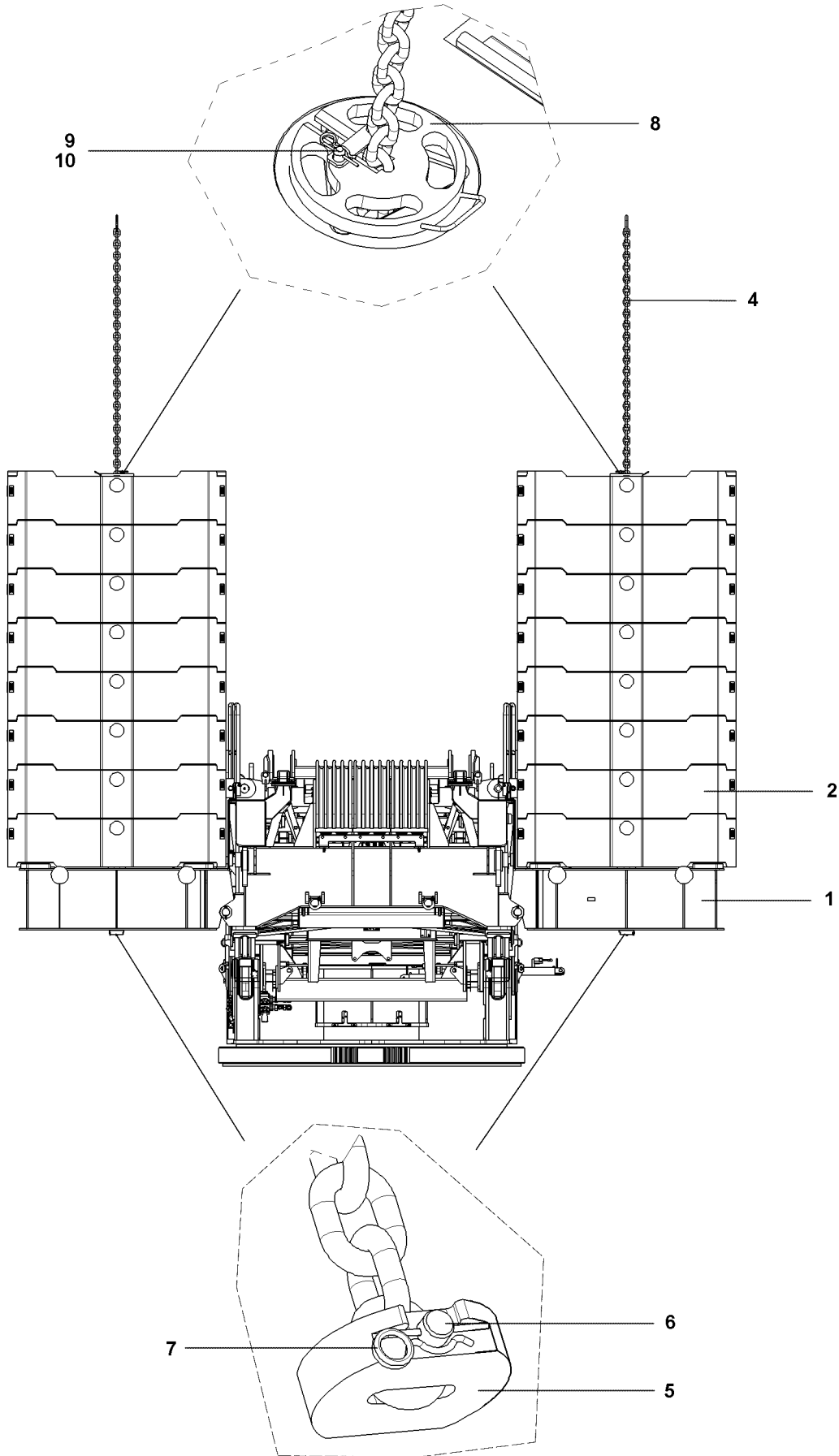


Fig.103031

LWE/LR 11350-005/19004-04-02/en

2.3 Securing the counterweight



DANGER

Risk of accident due to tipping of counterweight!

- ▶ Secure the counterweights before starting to use the crane.

Secure the counterweight stack before crane operation.

- ▶ Attach the auxiliary crane on the retaining chain **4**.
- ▶ Guide the retaining chain **4** on both sides from the top to the bottom through the counterweight assembly.
- ▶ Pin the retaining chain **4** on both sides on the bottom with the retaining plate **5** and secure.
- ▶ Insert the pin **6** and secure it with a cotter pin **7**.
- ▶ Tighten the retaining chain **4**.
- ▶ Pin the retaining chain **4** on both sides on top with retaining plate **8** and secure.
- ▶ Insert the pin **9** and secure it with a cotter pin **10**.

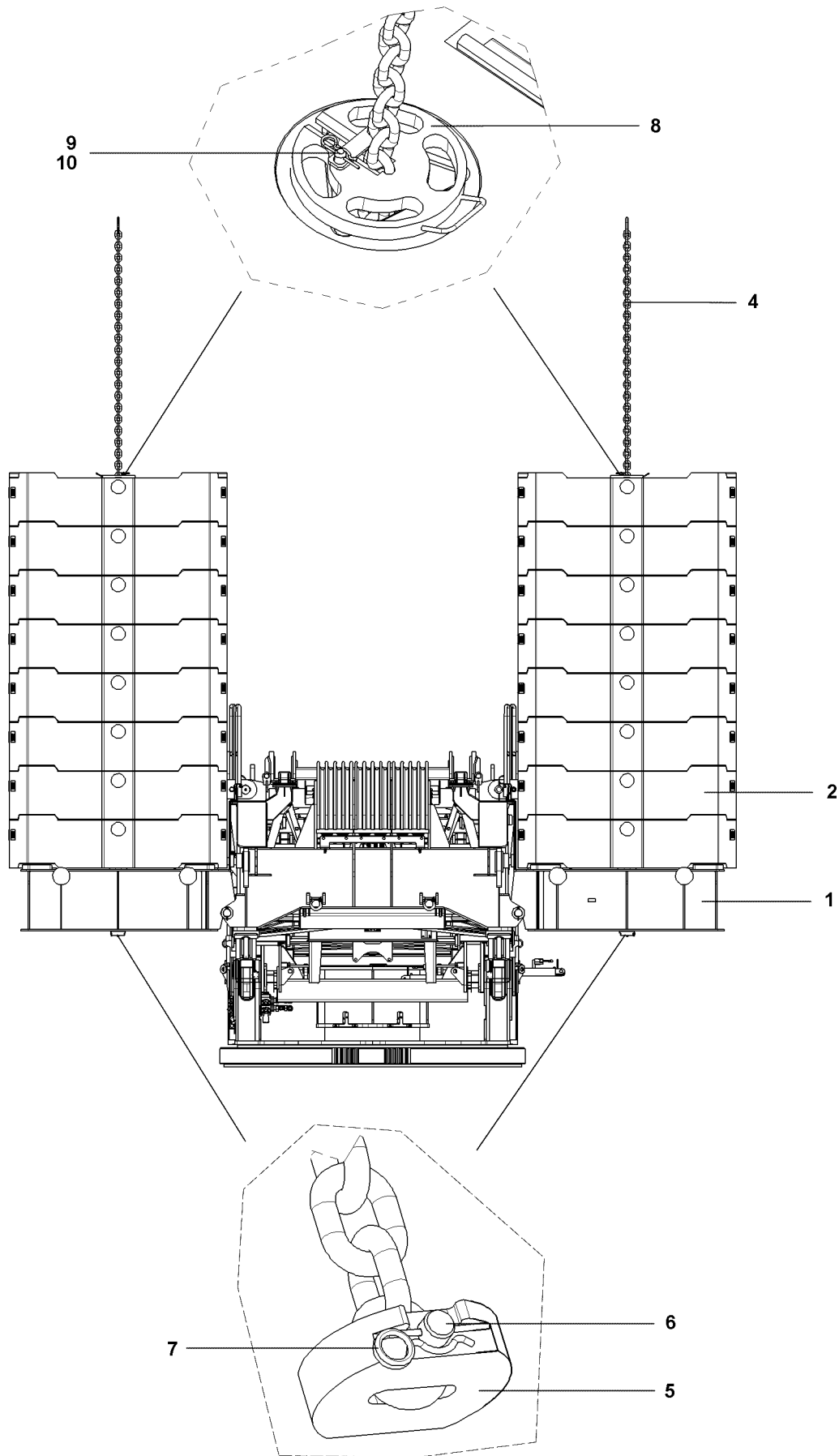


Fig.103031

LWE/LR 11350-005/19004-04-02/en

3 Disassembly

Make sure that the following prerequisites are met:

- The crane is horizontally aligned.



DANGER

Risk of accident

- ▶ Ensure there are no personnel or objects within the danger zone when assembling and disassembling the counterweight!
-

3.1 Releasing the counterweight

Attach the auxiliary crane on the retaining chain.

- ▶ Unpin the retaining chain **4** on both sides on top.
- ▶ Remove the cotter pin **10** and unpin the pin **9**.
- ▶ Guide the retaining chain **4** on both sides through the counterweight assembly to the bottom.
- ▶ Unpin the retaining plate **5** on the retaining chain **4**.
- ▶ Remove the cotter pin **7** and unpin the pin **6**.
- ▶ Pull out the retaining chain **4** through the top.

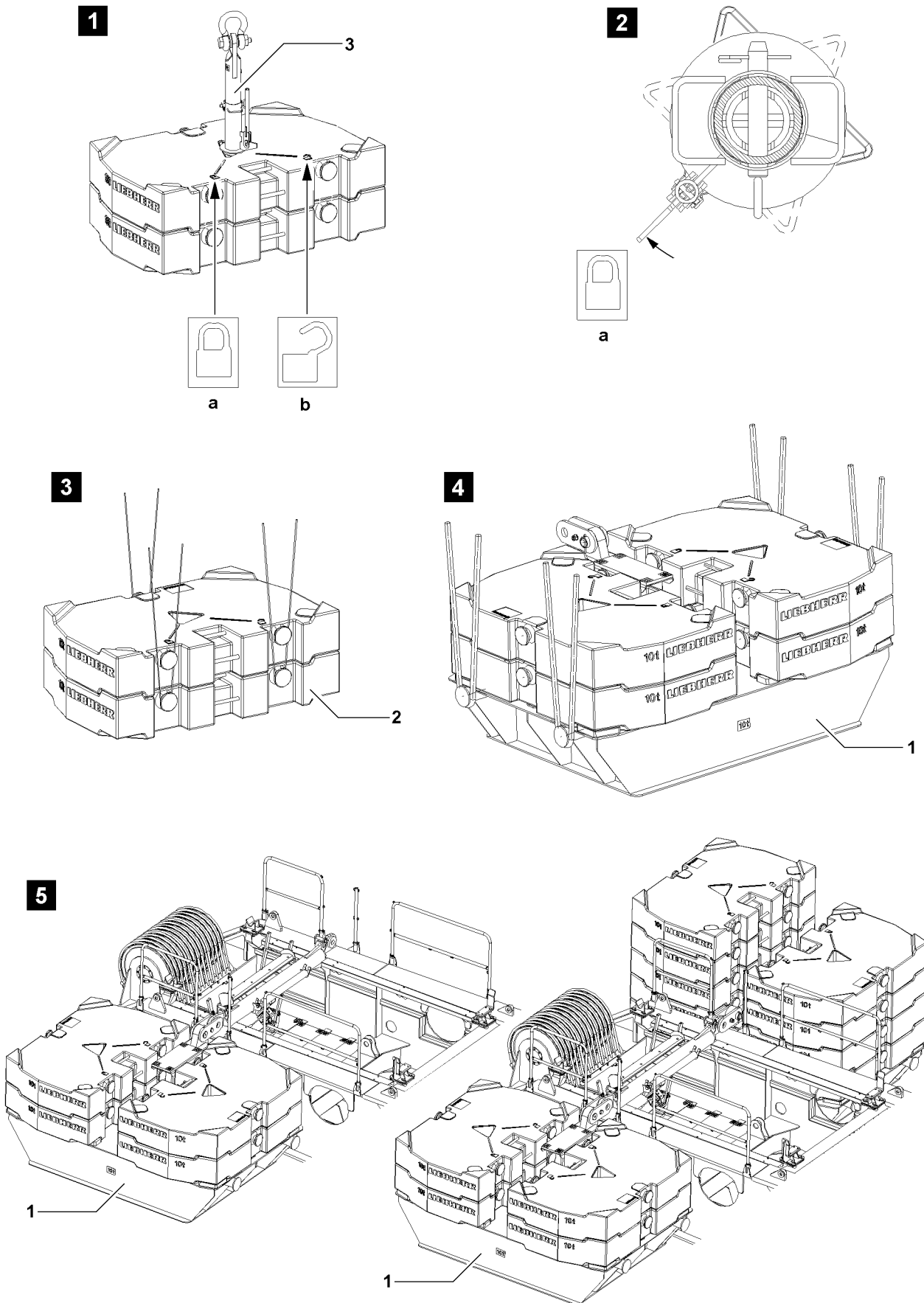


Fig.109394

LWE/LR 11350-005/19004-04-02/en

3.2 Removing the counterweight plates

Ensure that the following prerequisite is met:

- The retaining chains are disassembled.



DANGER

The crane can topple over!

If more than 50 t counterweight plates are removed on sided with one lift, then the counterweight is asymmetrically distributed by more than 50 t . The crane can topple and fatally injure personnel!

- ▶ Take no more than maximum 50 t counterweight plates alternately on the left and right from the counterweight stack, see illustration **5**!
 - ▶ A weight difference between the right and left counterweight stack of more than 50 t * is prohibited!
-



Note

- ▶ Take the counterweight plates off individually or as an assembly, illustrations **1** to **4**!
 - ▶ Observe the permissible ballast assemblies and the danger notes, see section „Ballasting“ in this chapter!
-
- ▶ Hang the counterweight plates on the auxiliary crane and take them off alternately on both sides.

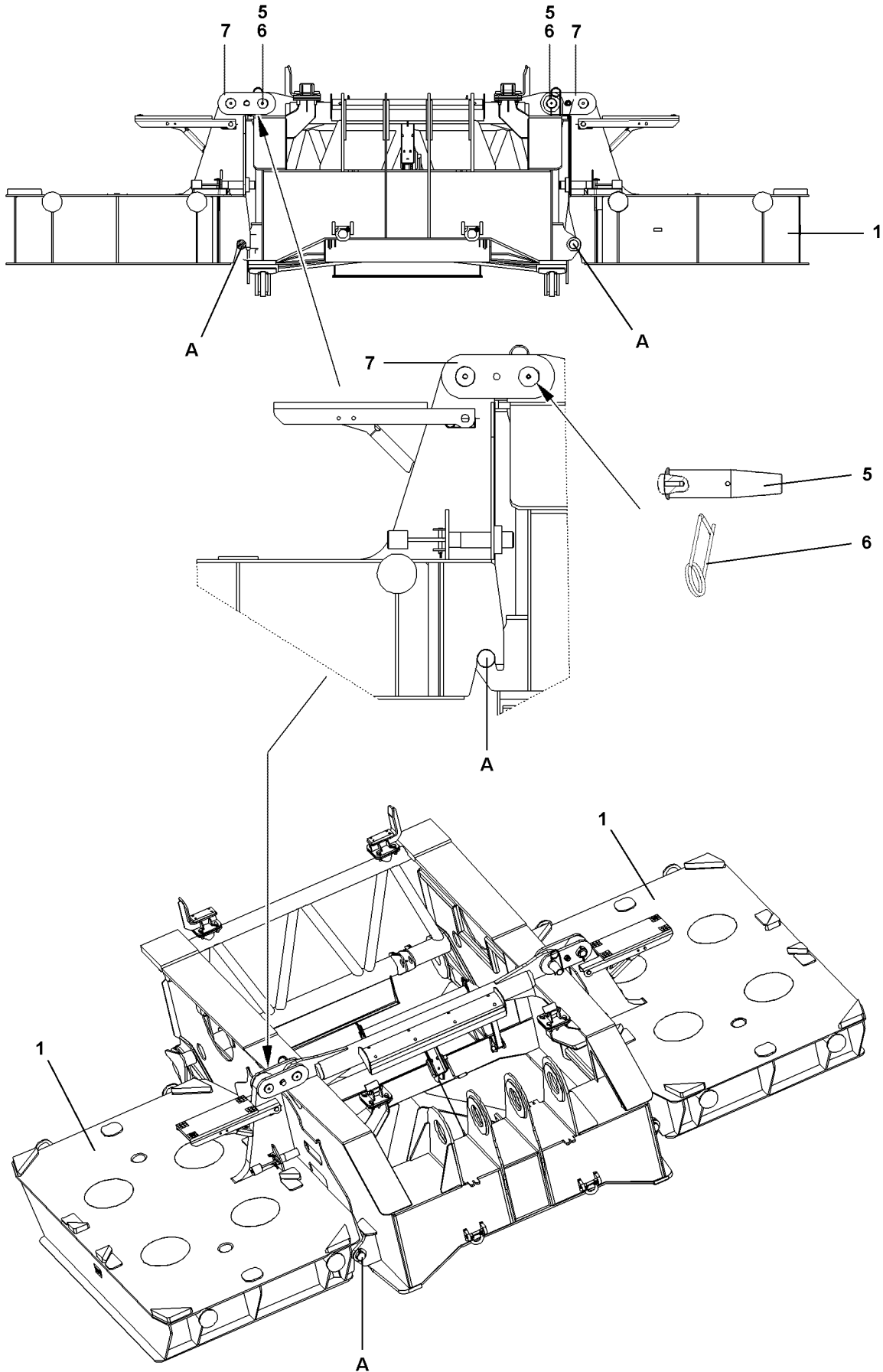


Fig.103028

LWE/LR 11350-005/19004-04-02/en

3.3 Removing the base plate

	Component	Weight
1	Base plate	10 t
5	Pin	—
6	Cotter pin	—
7	Connector bracket	—

- ▶ Hang the base plate **1** onto the auxiliary crane.
- ▶ Unpin the base plate **1** on the turntable **on top**.
- ▶ Remove the spring retainer **6** and unpin the pin **5**.
- ▶ Unhook the base plate **1** with the auxiliary crane from the turntable **A on the bottom**.

Fig.195219

LWE/LR 11350-005/19004-04-02/en

1 Safety technical instructions for working with a load



Note

► In addition to this chapter, observe Chapter 2.04 in the Crane operating instructions.



WARNING

The crane can topple over!

For steep boom positions, for which no loads are specified in the load charts there is a risk of the crane superstructure toppling when turning „backward“, i.e. towards the counterweight side.

There is a particular danger if the support basis has been reduced and supported with the sliding beams retracted.

Personnel can be severely injured or killed.

► The radii specified in the load chart must be observed.



WARNING

Danger of accident due to faulty operation!

If the reeving number on the pulley head is less than the reeving number set on the LICCON computer system and if the load is lifted with the luffing gear, it can result in an overload of the hoist rope, as a result, the hoist rope can rip, causing the load to drop.

Personnel can be severely injured or killed.

► Always comply with the reeving numbers specified in the load chart for maximum loads.

► The reeving on the pulley head and the reeving set on the LICCON computer system must match, otherwise crane operation is prohibited.



DANGER

Danger of fatal accidents due falling load!

If the number of three coils is fallen below (for example due to a technical defect), the hoist rope is ripped from the winch drum and the load falls down.

Personnel can be severely injured or killed.

► The crane operator must ensure that there are always at least three rope coils on the winch drum.

Always comply with the maximum loads specified in the load chart.

The weight of the hook block according the load chart must be taken into account.

For the lift, use the hook block which is suited best for the existing set up configuration in connection with the load chart.

Initiate all crane movements carefully. Also slow down the crane movements carefully. That way you can avoid a swinging or pendulum motion in the suspended load.

2 Checks before starting to work with the crane

Before starting work with the crane, the crane operator must carry out a further inspection to satisfy himself about the crane's operational safety:

- Check that the crane is properly supported and level.
- Check that all values in the load chart that apply to the current equipment configuration have been entered and met.
- Ensure that there are no people or objects in the crane danger zone.

**WARNING**

Danger of accidents when turning the crane superstructure!

By turning the crane superstructure in restricted space conditions on the job site, especially in the rear area of the counterweight and towards the chassis, personnel can be crushed and severely injured or killed.

- ▶ Give a short warning signal (horn) before starting a crane movement.
- ▶ Ensure before starting any slewing movement that there are no people or objects in the danger zone.

2.1 Visual check for damage

**WARNING**

Danger of accident!

If the crane is operated despite existing defects, personnel can be severely injured or killed.

- ▶ In the event of deficiencies which threaten operational safety, stop crane operations immediately.

The following deficiencies threaten the crane's operational safety:

- Damage to load-bearing parts of the crane design, such as booms, supports etc.
- Failure of the hoist gear brake and consequent slipping of the load
- Functional failures in the crane control system
- Functional defects in the indicator and warning lights
- Damage to the hoist ropes
- Functional defects in the safety devices
- Leakages on safety relevant components of the crane hydraulic

Inform the appropriate supervisor about the deficiencies on the crane and also inform your relief when crane operators are changed.

2.2 Telescopic boom distortion because of sunshine on one side

A temperature difference occurs between the side facing the sun and the side facing away from the sun for cranes with telescopic booms. This causes telescopic boom side distortion, which can reduce the load-bearing capacity of the telescopic boom.

For example, a temperature difference between the two boom sides of 30 °C and a boom length of 60 m results in a length difference caused by the temperature difference between the two sides of the telescopic boom of approximately 22 mm. With narrow boom parts, this causes the profiles to bend sideways.

If the maximum load carrying capacity is being utilized when a telescopic boom extension such as a fixed lattice jib, luffing lattice jib or folding jib is being used, then it must be ensured through a visual inspection before picking up the load that the boom is not showing signs of side deformation due to one-sided sun exposure.

**WARNING**

Danger of accident due to component overload!

If the telescopic boom has become distorted because of one-sided sunlight, this can cause component overload and therefore accidents.

- ▶ Turn the crane so that both sides of the boom are heated up equally, eliminating side deformation due to temperature difference.

3 Crane movement - Telescoping

If the telescopic boom is telescoped with the auxiliary boom or telescopic boom extension, before the telescoping procedure, ensure that:

- The crane is properly supported and horizontally aligned.
- The telescopic boom is evenly warmed up by solar radiation.

- There is no strong side wind.



WARNING

Damage of the telescopic boom or the hoist rope!

If these 3 factors are not adhered to, damage of the telescopic boom or the hoist rope can occur and lead to accidents.

- ▶ Support the crane properly and align it horizontally.
 - ▶ Keep both sides of the boom at about the same temperature.
 - ▶ Telescope only to the permissible wind speed according to the load chart.
 - ▶ If the actual wind speed is higher than the permissible wind speed noted on the load chart, telescoping is prohibited.
-

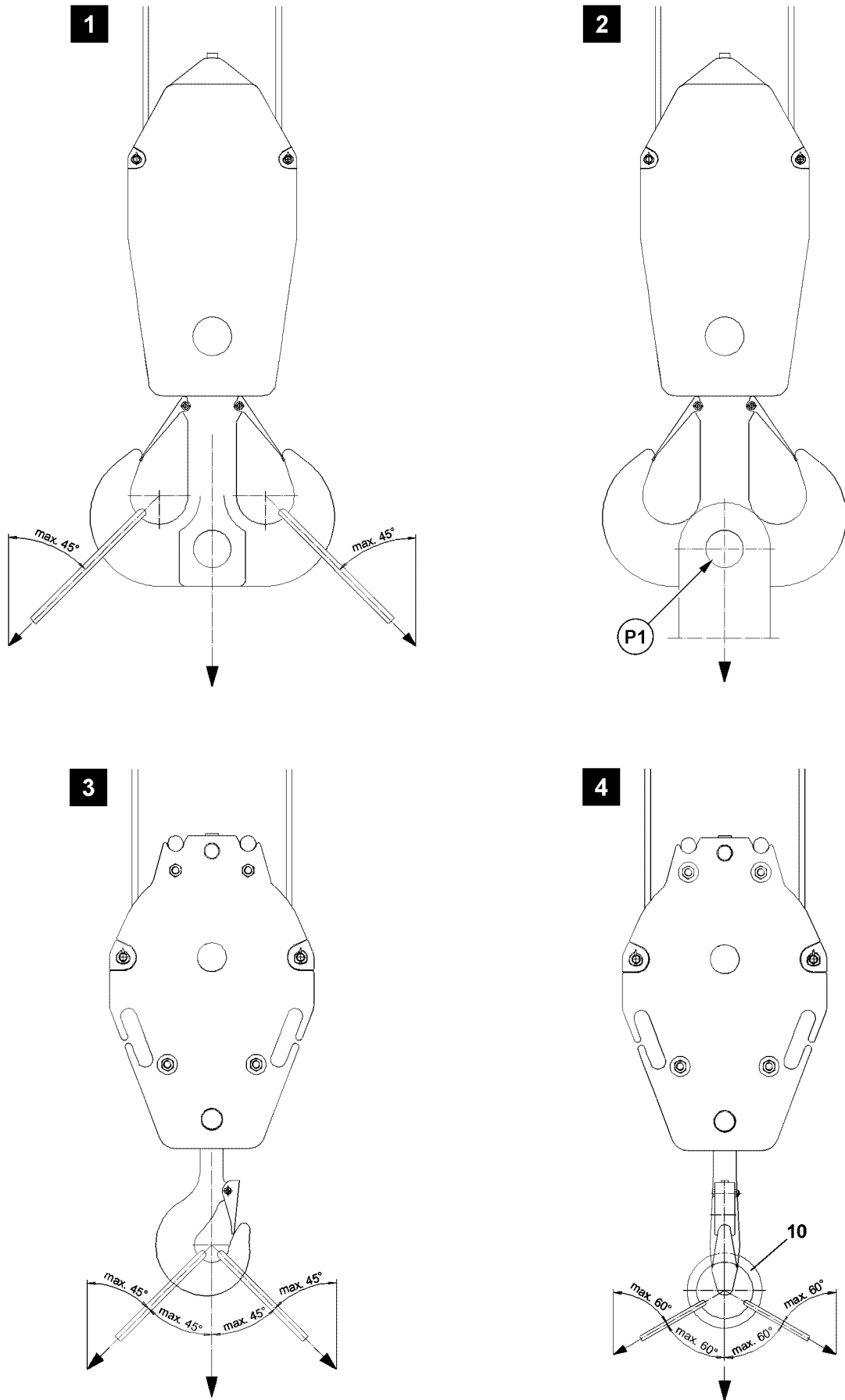


Fig.121650

LWE/LR 11350-005/19004-04-02/en

4 Taking on a load

The crane must always be operated in such a way that its load-bearing parts are not destroyed or damaged and its stability is ensured.

Make sure that the following prerequisites are met:

- The crane is supported and horizontally aligned.
- The LICCON overload protection has been set according to the load chart.
- The LICCON overload protection is active.
- The central ballast has been attached according to the load chart.
- The counterweight is installed according to the load chart.
- The derrick ballast has been installed according to the load chart.
- The hook block or the load hook is correctly reeved.

4.1 Fastening the load



WARNING

Load can be ripped off!

If impermissible fastening and / or load handling equipment is used when taking up a load on the centric bore on the double hook at point **P1** (illustration 2), then the double hook as well as the hook block can be damaged.

The load can rip off and fall down.

Personnel can be severely injured or killed.

- ▶ Lift the load via the centric bore on the double hook (point **P1**): For the technical requirements and the technical design of the fastening and / or load handling equipment contact the hook block manufacturer.



WARNING

The crane can topple over!

If the following conditions are not met, the crane can topple over.

Personnel can be severely injured or killed.

This could result in high property damage.

- ▶ Pay attention to the own weight of the load handling equipment.
- ▶ Pay attention to the load capacity of the load handling equipment!
- ▶ The maximum permissible incline of the strands fastened on the single or double hook in the hook jaws is 45°. See illustration 1 and illustration 3.

If necessary for the single hook:

- ▶ Use fastening equipment with a suspension link **10**. The maximum permissible incline is 60°. See illustration 4.
- ▶ Load a single and double hook symmetrically. A maximum deviation of $\pm 3^\circ$ from the direction of the center of gravity is permissible.

If necessary:

- ▶ Use crossbars or two cranes for taking up the load.

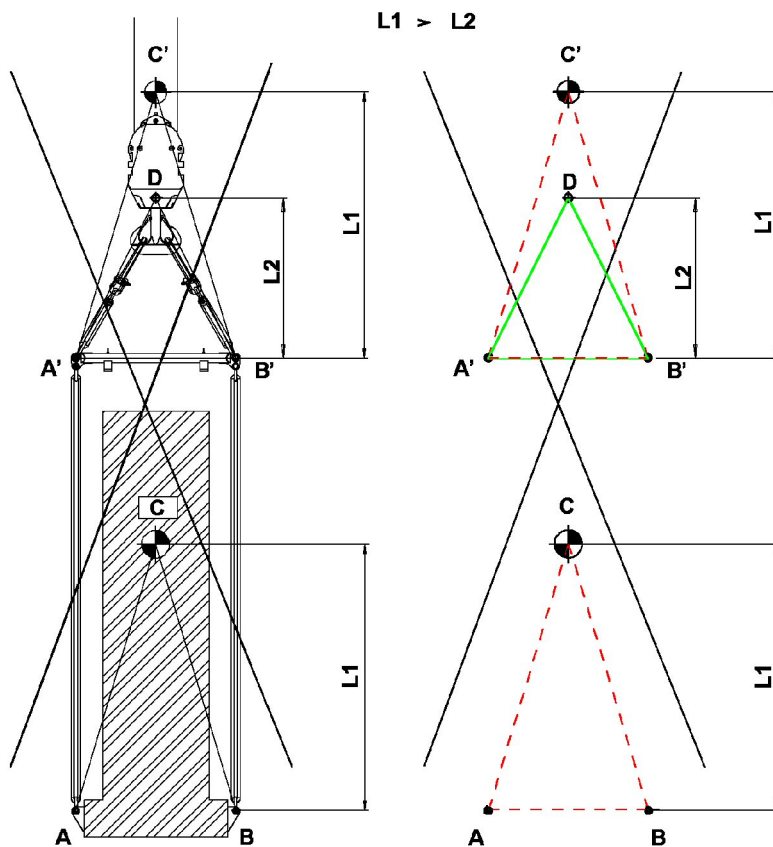
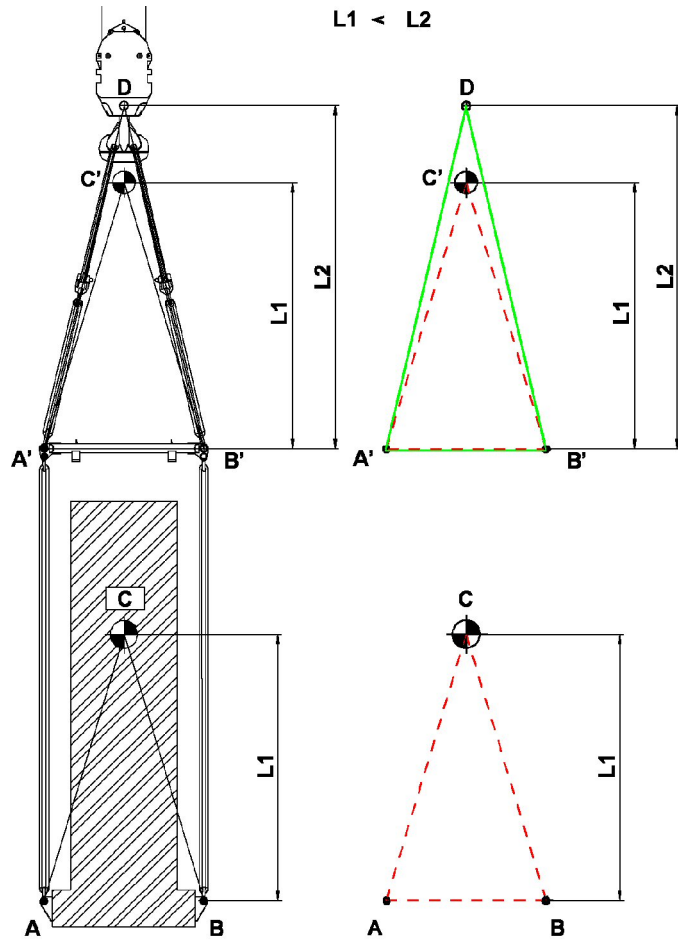


Fig.116274

LWE/LR 11350-005/19004-04-02/en

4.2 Load take up with cross bar

Cross bars are load handling equipment between crane hook and load.

The distance of the center of gravity **L1** is the vertical dimension from the fastening point of the load to the center of gravity of the load.

The cross bar height **L2** is the vertical dimension from the point of rotation of the crane hook to the next lower linkage point of the cross bar.



WARNING

Tipping of load to the side!

If fastening ropes are used which are too short, so that the load center of gravity is above the fastening point, then there is a danger of the load tipping to the side.

Personnel can be severely injured or killed.

- ▶ The load center of gravity must be below the crane hook.
 - ▶ The distance of the center of gravity **L1** must be smaller than the cross bar height **L2** ($L1 < L2$).
 - ▶ The triangle **A'B'C'** must be within the triangle **A'B'D**.
-

4.3 Transporting the hook block

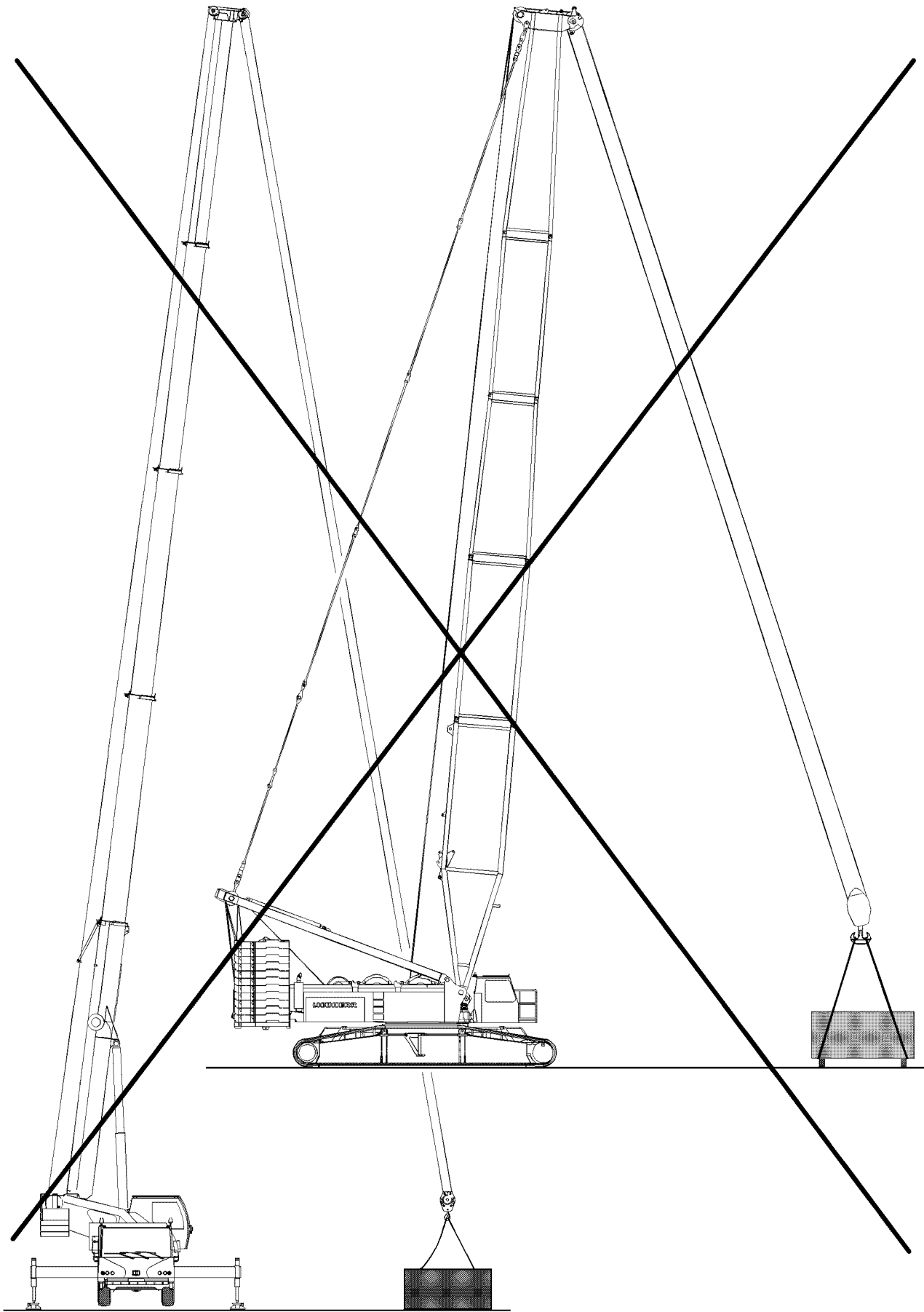


WARNING

Danger of accident!

If a hook block is fastened incorrectly for transport, personnel can be injured.

- ▶ Fasten the hook block for transport on the fixed point in the center.
 - ▶ Fastening the complete hook block on the auxiliary weights is prohibited.
-



LWE/LR 11350-005/19004-04-02/en

Fig.102716

4.4 Lifting the load



WARNING

Danger of crushing for people in the load zone!

If personnel is located between the load to be lifted and a possible interfering edge (such as a wall of a building or similar) when the load is lifted, personnel can be severely injured or killed.

- ▶ Before lifting the load it must be ensured that there are no persons within the danger zone.
- ▶ It is prohibited to remain within the danger zone.
- ▶ It is prohibited for anyone to be under the load. Keep a safety distance.
- ▶ Swinging the load is prohibited.
- ▶ Exercise extreme caution when lifting a load.



WARNING

The crane can topple over!

If an attempt to lift a load over the hoist gear causes the LICCON overload protection to turn off, then the load may not be lifted by luffing up the boom. This causes overload or toppling the crane. Personnel can be severely injured or killed.

- ▶ Do not lift the load by luffing up the boom off the ground.



Note

When using the assembly winch* observe the following:

- ▶ Use the assembly winch* only for assembly and not for lifting loads.
- ▶ Lifting of loads with the auxiliary winch is prohibited.

If the fastening rope is manually attached by an assistant to the load to be lifted:

- Make sure that the assistant's hands are not crushed by the tightened ropes between the load and the fastening rope.
- Make sure that the assistant's body parts (hands, legs etc.) are not crushed by a swaying movement of the load during lifting.

4.5 Angular pulling



WARNING

The crane can topple over!

Angular pulling can destroy the crane or cause it to topple over.

Personnel can be severely injured or killed.

- ▶ Attach (hang) the hook block always vertically over the center of gravity of the load to be lifted.
- ▶ Do not use the slewing gear to pull and set up loads.
- ▶ Angular pull is prohibited.

The crane is designed only to lift loads vertically. During angular pulling, regardless of whether this is done in the same direction as the boom or laterally, horizontal forces are generated in addition to the vertical forces, for which the boom is not designed.

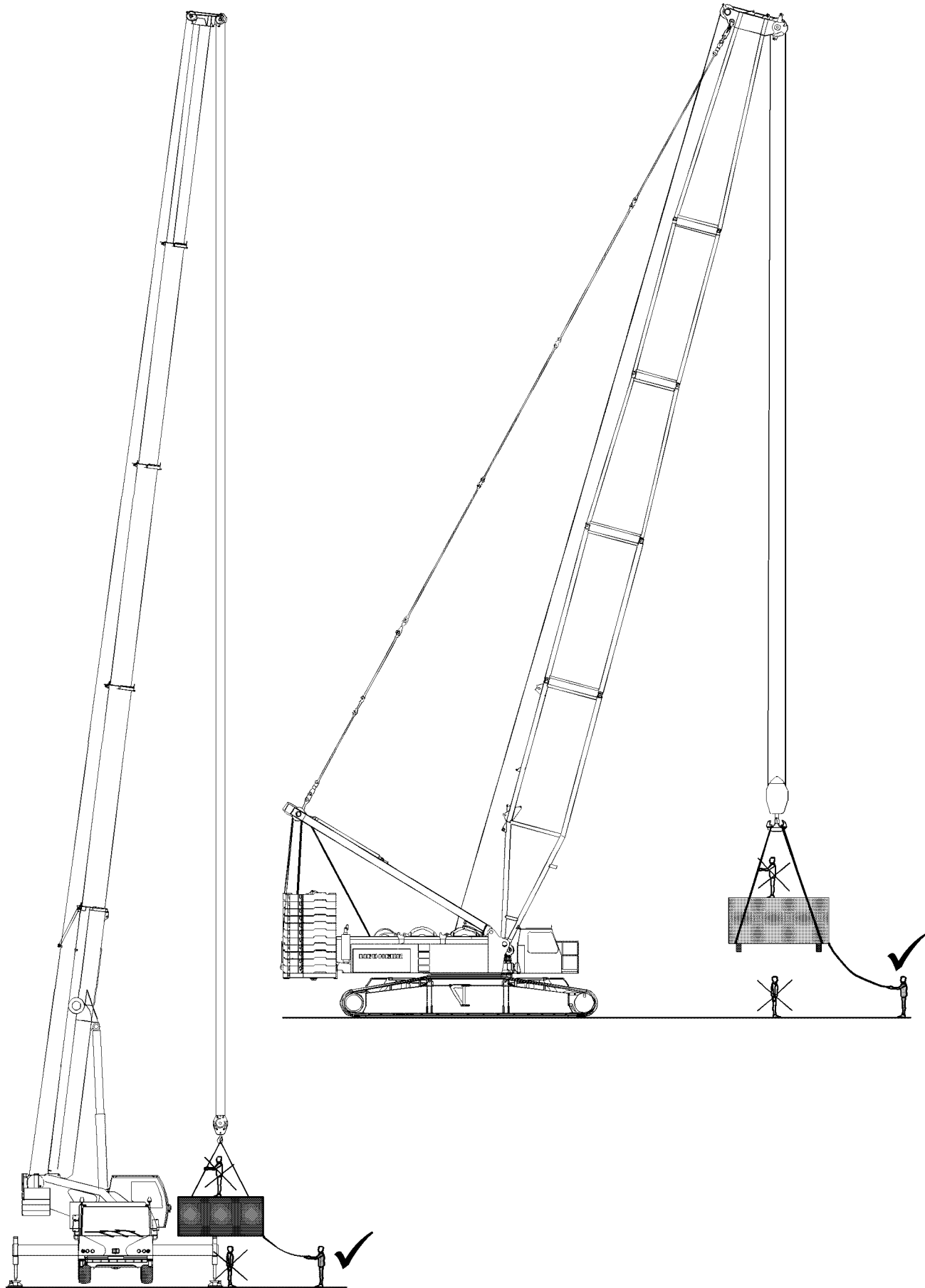


Fig.102717

LWE/LR 11350-005/19004-04-02/en

4.6 Breaking away fixed loads



WARNING

The crane can topple over!
Ripping stuck loads free can destroy the crane or cause it to topple over.
Personnel can be severely injured or killed.
▶ Ripping stuck loads free is prohibited.

5 Crane operation

The maximum load capacity of the crane is not just limited by the stability, but in many cases a load-bearing component breaks when the crane is overloaded **before** the crane topples over. Components that are susceptible to buckling such as the telescopic boom may fail suddenly **without showing signs of distortion beforehand** if the crane is overloaded.



WARNING

Danger of accidents for cranes with luffing cylinders!
When the luffing cylinder is on block position, the overload protection is not functioning.
▶ Crane operation at block position of luffing cylinders is prohibited.

5.1 General

A suspended load must always be kept under control. A fundamental requirement for this is the safe and delicate control of the crane's functions.



WARNING

Risk of accident due to swaying loads!
A swaying load can damage the crane and cause it to topple.
▶ All crane movements must be executed slowly and delicately.
▶ Initiate all crane movements slowly.
▶ Apply the brakes slowly in all crane movements.
▶ Crane operation with swaying load is prohibited.

NOTICE

Damage of rope pulleys!
▶ Place down hook blocks, booms, folding jibs, auxiliary booms and boom noses in such a way that the rope pulleys do not lie on the ground and are damaged.

5.2 Guiding the load

The use of guide ropes is recommended to help the crane operator manage the load more precisely and to prevent the load from swaying. This will prevent undesirable movements of the load and consequent damage.

5.3 Danger of crushing



WARNING

Danger of fatal injury!
Extreme care is needed when lowering a load. Mortal danger exists for personnel in the immediate area of the load being lowered.
Personnel can be severely injured or killed.
▶ Standing under a suspended loads is strictly prohibited.

5.4 Danger of falling!



WARNING

Danger of fatal injury!

If persons are on the suspended load, then they can fall down and be severely injured or killed.

- ▶ Remaining on a suspended load is strictly prohibited.
- ▶ Remaining on or within crane components (for example: At assembly of boom sections, lattice sections) which are moved during lifting, lowering, turning or closing procedures is strictly prohibited.

5.5 Working in the vicinity of electricity transmission lines

If there are electricity transmission lines in the immediate vicinity of the building site, then the electrical transmission lines must be turned off by qualified electricians. If this is not possible, the danger area must be covered over or cordoned off.



WARNING

Danger of current transfer!

If electricity transmission lines are not shut off nor covered nor blocked off, then there is an increased danger due to current transfer.

- ▶ For rated voltages to 500 kV AC: Adhere to a safety distance of 8 m.

If the crane becomes electrified despite having taken all necessary precautions, proceed as follows:

- ▶ Remain calm!
- ▶ Do not leave the crane cab.
- ▶ Warn people outside: Stay in place and do not touch the crane.
- ▶ Move the crane away from the danger zone.

5.6 Ram work or pulling sheet piles

Vibration can be transmitted to the supporting steel structure of the crane during ram work or when pulling sheet piles with the crane. This vibration can cause premature fatigue of the material and therefore cracks in the supporting steel structure.



DANGER

Important instructions for „ram work“ or „pulling sheet piles“.

If the crane is used for ram work or pulling sheet piles, then the following instructions must be followed. Failure to follow the instructions can result in damage to the crane.

- ▶ The ramming equipment may not pass on vibrations into the boom.
- ▶ When pulling sheet piles, the maximum pull force of the crane is limited according to the load chart. Restricting the maximum pull force via the crane overload protection **only** is prohibited. The pull force must be additionally checked by measuring.

Empty page!

LWE/LR 11350-005/19004-04-02/en

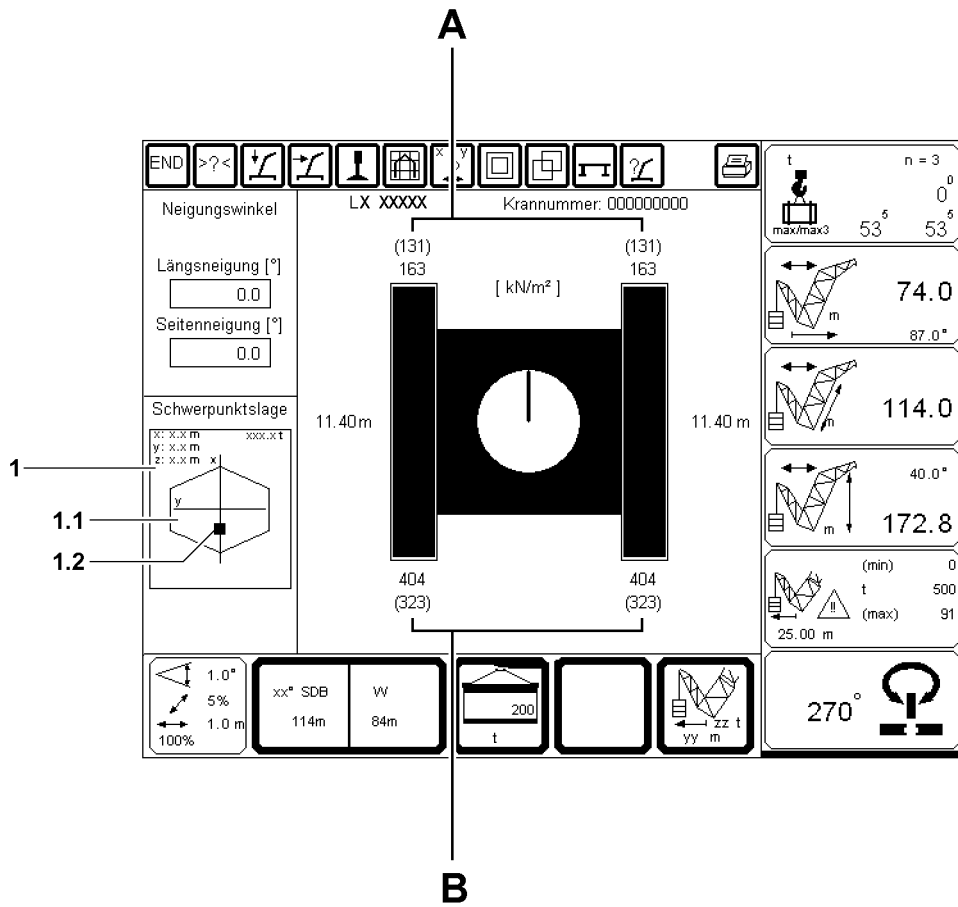


Fig.109839

1 Prerequisites for driving / moving crawler cranes (crawler operation)



WARNING

The crane can topple over!

If the following instructions are not observed, the crane can topple over.

Personnel can be severely injured or killed.

- ▶ Before moving the crane with the attachment, the optimum boom position must be determined with the aid of the job planner, to obtain as even a surface pressure on the crawler track as possible.
- ▶ The maximum permissible wind speed from the load chart is not exceeded.



WARNING

Crane with narrow crawler track!

- ▶ When moving cranes with narrow crawler track (example: LR1600/2-W) and respective equipment, in addition to the „prerequisites for driving the crane“, the special travel charts and danger notes must be observed and adhered to, see „Moving the crane with equipment in place“.



WARNING

The crane can topple over!

If the turntable is not parallel to the crawler track when driving the crane, the crawler crane can topple over.

- ▶ For downhill gradients of more than 0.3° , make sure that the turntable is aligned parallel to the crawler track in 0° or 180° position before moving the crawler crane!



WARNING

The crane can topple over!

If the following specifications, instructions and prerequisites are not observed, then the crane can topple over or be overloaded.

Personnel can be severely injured or killed.

- ▶ The crane operator is responsible for adhering to all specifications, instructions and prerequisites in the crane documentation.
- ▶ The crane operator may not drive the crane if not all specifications, instructions and prerequisites in the crane documentation can be adhered to.
- ▶ The crane operator is responsible for the correct and complete data entry into the LICCON computer system and into the LICCON job planner, if applicable.
- ▶ All acceleration and delay maneuvers must be initiated with extreme caution and at the least possible speed.
- ▶ Depending on the situation, additional observers, who are acoustically or visually connected with the crane operator (for example by radio or sight), may have to support the crane operator with shared responsibility.



WARNING

Combined crane movements at crawler operation!

- ▶ In crawler operation, do not carry out any additional crane movements.
- ▶ Carry out additional crane movements while the crane is at a standstill, if possible.

Make sure that the following prerequisites are met:

- No personnel or objects are within the danger zone.
- The crane is in operational condition.
- The crane is in a set up configuration permitted for travel operation.
- Installed ballast (central ballast, counterweight and derrick ballast) is locked and secured.
- There are no loose objects on the crane.

1.1 Travel route



WARNING

The crane can topple over!

If the following specifications, instructions and prerequisites are not observed, then the crane can topple over or be overloaded.

Personnel can be severely injured or killed.

- ▶ The transfer from the horizontal into an uphill slope and from the uphill slope into the horizontal must be made evenly, i.e.: There may be no edges which can cause the crane to topple over. Any incline changes must be made continuously.
- ▶ If the travel route cannot safely take on the surface pressure, then measures must be taken to be able to safely induce the forces into the ground.
- ▶ If measures were taken to induce the forces into the ground, then they must be checked by an expert before starting to drive for proper execution and sufficient supportability.
- ▶ An insufficient ground condition can cause accidents, for example the crane can slide away to the side and as a result get into an impermissible incline position.

Make sure that the following prerequisites are met:

- Before starting to drive, the travel route was determined.
- Before starting to drive, the condition of the ground has been checked.
- The entire travel route can safely absorb the surface pressure.
- All inclines occurring on the travel route can be driven safely by the crane.
- The entire travel route is free of obstacles.
- The friction coefficient between crawler track and ground is sufficiently large to absorb the occurring drive forces or to eliminate the crane from slipping away in an incline position.
- Possible environmental influences while driving the crane (among others precipitation and wind) were taken into account for the travel route.
- The travel route was selected and prepared in such a way that the boom system can be taken down at any time.
- Select the travel route in such a way that no steering movements are required, if possible.
- With load on the hook: Setting down the load is possible at any time.
- The entire travel route is secured as a danger zone.
- The travel route has been selected in such a way that a sufficient distance to local facilities (among others power lines) can be retained.

For falling terrain gradients outside the range of a valid load chart, the following applies additionally:

- Before starting to drive, the travel route was checked in connection with the actual set up configuration of the crane on the LICCON job planner.
- Before starting to drive, the optimum positions for the boom system were determined to obtain as even a surface pressure as possible - the LICCON job planner can be used for this purpose.



Note

- ▶ For a detailed description of the LICCON job planner on the crane, see the operating instructions LICCON job planner.
- ▶ For a detailed description of the computer program LICCON job planner, see separate description.

1.1.1 Optimizing measures for travel route

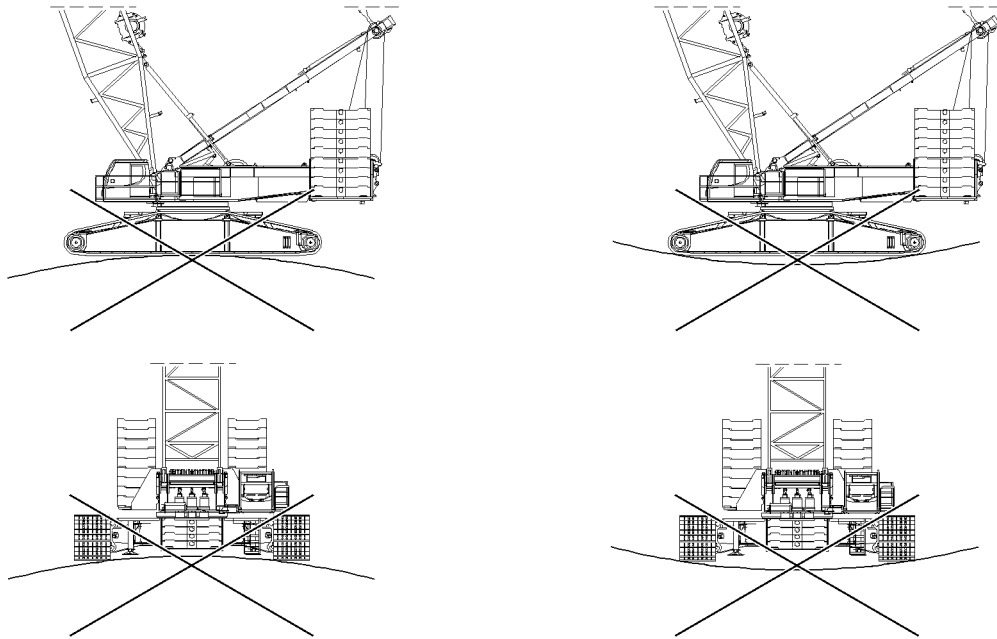


Fig.119598: Depressions, crests, track grooves and other uneven areas of the travel route cause punctiform strain to the track.

NOTICE

Damage to the track!

Continuous punctiform strain to the track causes increased wear.

Continuous increased wear can cause damage to the track.

- ▶ Set up the travel routes in such a way that the track is not subjected to continuous punctiform strain.
- ▶ For extended travel operation shorten the maintenance intervals.

Through the following configuration features of the travel route, wear on the track can be minimized:

- Shapings of the travel route (such as depressions, crests, track grooves) have been eliminated via suitable measures.
- Lay out the travel route in such a way that no steering movements are required, if possible.

1.2 Travel gears / hydraulic motors / track rollers

NOTICE

Damage to the travel gear, hydraulic motors and track rollers!

On longer travel routes and / or when driving uphill / downhill, the travel gears, hydraulic motors and / or track rollers can be overheated and damaged.

- ▶ Make sure that the travel gears - before driving the crane - are on maximum fill level.
- ▶ With suitable measuring devices make sure that the maximum permissible temperature of the travel gears, hydraulic motors and / or track rollers in travel operation over longer distances is below 90 °C. For a short time (**maximum** 10 minutes), the temperature may increase to a value between 90 °C and 100 °C.
- ▶ As soon as the maximum permissible temperature on one position is exceeded, take a break for cooling off.
- ▶ The crane operator is responsible for any damage on travel gears, hydraulic motors and / or track rollers.

When the maximum permissible temperature range on a travel gear and / or hydraulic motor is reached:

- ▶ Take a break until the temperature on travel gear(s), hydraulic motor(s) and / or track rollers had dropped considerably.

Maximum permissible temperature range on travel gear(s) / hydraulic motor(s)		
	To 90 °C	between 90 °C and 100 °C
Duration of exposure	continuous	not longer than 10 minutes

When the temperature has dropped on all travel gears / hydraulic motors under 90 °C:

- ▶ Travel operation is permissible again.

1.3 Center of gravity display



WARNING

Shifting of center of gravity!

The calculation of the values for the display of the center of gravity in the job planner are based on ideal assumptions.

- ▶ Side deformations of the boom system due to wind, inclined position and elastic resilience of the steel structure are not taken into account but they can lead to a shifting of the center of gravity.

Position	Description
1	Center of gravity display
1.1	Core surface
1.2	Center of gravity



WARNING

Center of gravity of the crane is outside the core area!

If the center of gravity **1.2** of the crane is outside the core area **1.1**, then the crane can topple over. Personnel can be severely injured or killed.

- ▶ To drive the crane, the center of gravity **1.2** must always be within the core area **1.1**.
- ▶ If the center of gravity is outside of the core area, then it is prohibited to drive the crane.



Note

- ▶ If the center of gravity **1.2** of the crane is within the core area **1.1**, then the center of gravity **1.2** is shown in green.
- ▶ If the center of gravity **1.2** of the crane is outside the core area **1.1**, then the center of gravity **1.2** is shown in red.

The following specifications and instructions must be observed:

- By luffing the boom system up and down, the position of the center of gravity **1.2** must be corrected in such a way that the overall center of gravity remains within the core area **1.1**.

1.4 Distribution of surface pressure



WARNING

Increased surface pressure!

The calculation of the values for the display of the surface pressure in the job planner are based on ideal assumptions.

- ▶ Side deformations of the boom system due to wind, inclined position and elastic resilience of the steel structure are not taken into account but they can lead to an increase of the surface pressure.

**Note**

- ▶ The boom must be luffed down before driving until the load is even distributed on the tracks.
- ▶ If the counterweight on the turntable is large, then it is required to position the boom in such a way that a suitable distribution of surface pressure for driving is obtained.

1.5 Suitable distribution of surface pressure

If the distribution of the surface pressure is even (surface pressure front and surface pressure rear approx. the same value), then steering is difficult or not possible at all.

For the suitable distribution of surface pressure, the following applies:

- A = Surface pressure on the side of the two tracks which has the lower load
- B = Surface pressure on the side of the two tracks which has the higher load
- The center of gravity must however always be within the core area **1.1**.

Distribution of surface pressure A to B			
A	/	B	= Should be greater than 0.3

In case of unfavorable distribution of surface pressure it is required to position the boom system in such a way that a suitable distribution of the surface pressure is reached for driving.

- ▶ The turntable should be turned while at a standstill: The boom system should be luffed in such a way that the crawlers are subjected to a load as evenly as possible.
- ▶ Driving uphill: The boom system should be luffed in such a way that the side of the crawler track which has less of a load is on the rear.
- ▶ Driving downhill: The boom system should be luffed in such a way that the side of the crawler track which has less of a load is on the front.

1.6 Steering ability

**Note**

High load on the crane!

When driving the crane, steering movements cause a high load on the crane travel gear.

- ▶ If possible, forego steering movements with load on the hook and / or derrick ballast.
- ▶ Select the travel route in such a way that no steering movements are required, if possible.
- ▶ If not otherwise possible, before initiating a steering movement, set down the load and / or derrick ballast.

The steering ability of the crane depends on the following factors:

- Friction conditions under the chains
- Evenness of the ground:
 - Steering is not possible if the crawler travel gear is only making contact with the ground at the front and rear.
- Load bearing capacity of the ground:
 - If the crawler travel gear sinks into the ground, then the steering ability is significantly restricted.
- Position of the overall center of gravity:
 - If the overall center of gravity - under consideration of the suspended load - is at the center of the crane, then steering is hard or not possible at all.

The steering ability can be improved by:

- Placing metal sheeting, sand, gravel, water underneath
- By taking the load bearing capacity of the ground and the position of the center of gravity into account: Changing the center of gravity.

2 Driving with a load and / or Derrick ballast



WARNING

The crane can topple over!

If the following prerequisites are not observed for crawler operation, the crane can topple over. Personnel can be severely injured or killed.

- ▶ Make sure that the prerequisites for crawler operation are read and have been understood - before „driving with a load and / or Derrick ballast“.

2.1 Prerequisites for driving with a load and / or derrick ballast



WARNING

The crane can topple over!

If load charts with lateral inclines of more than 0.3° are available, then the crane may be driven with a load within these load charts.

If the following points are not observed, the crane can topple over.

Personnel can be severely injured or killed.

- ▶ The following prerequisites for driving with a load must be adhered to.
- ▶ Driving the crane with lateral and longitudinal inclines of more than $\pm 0.3^\circ$ - with installed derrick ballast - is prohibited.



Note

- ▶ The permissible inclines from the load charts apply for driving with a load.
- ▶ Take the maximum permissible wind speed from the load charts.

Permissible inclines for driving with a load	
Overall incline	$\pm 0.3^\circ$

**WARNING**

The crane can topple over!

If the following conditions are not observed, the crane can topple over.

Personnel can be severely injured or killed.

- ▶ The ground must be level ($\pm 0.3^\circ$) and have adequate load bearing capacity.
- ▶ The ground must be able to safely take on the maximum occurring surface pressures.

**WARNING**

The crane can topple over!

If the crane is driven in lateral and longitudinal inclines of more than $\pm 0.3^\circ$ with a load or derrick ballast, then crane structures can fail and the crane can topple over.

Personnel can be severely injured or killed.

- ▶ Driving uphill / downhill with a load and / or derrick ballast is prohibited.

**WARNING**

The crane can topple over!

The crane can be driven with the given loads from the load charts, if the following prerequisites are met.

If the following prerequisites are not observed, the crane can topple over.

Personnel can be severely injured or killed.

- ▶ The maximum permissible travel speed of the crawler with load and / or derrick ballast may **not** exceed 0.05 m/s **or** 3 m/min **or** 0.18 km/h.
- ▶ Steering the crawler with suspended load and / or installed derrick ballast is difficult and often not possible at all. Make sure that the slewing gear free wheeling is actuated for steering.
- ▶ Avoid jerky driving movements.
- ▶ Secure the suspended load to avoid oscillation.
- ▶ Lift the suspended ballast no more than maximum 250 mm off the ground.
- ▶ Luff the main boom up or down until a medium utilization is obtained on test point 1 **MS1**.

3 Driving without a load and without derrick ballast

**WARNING**

The crane can topple over!

If the following prerequisites are not observed for crawler operation, the crane can topple over.

Personnel can be severely injured or killed.

- ▶ Make sure that the prerequisites for crawler operation are read and have been understood - before „driving without a load and without Derrick ballast“.

3.1 Prerequisites for driving without a load and without derrick ballast

Make sure that the following prerequisites are met:

- The maximum permissible oil fill quantity in the diesel motor is present.
- The oil level in the hydraulic oil tank must be lowered by extending the cylinders so that an overflow is not possible.
- The contents of the fuel tank must be reduced so that an overflow is not possible.
- The maximum permissible wind speed of 9 m/s is not being exceeded.
- the travel speed may not exceed 0.4 m/s or 24 m/min or 1.44 km/h
- The turntable is aligned parallel to the crawler track, 0° or 180° position.



WARNING

The crane can topple over!

When driving in lateral inclines, the crane can slip off or topple over.

Personnel can be severely injured or killed.

- ▶ Make sure that the overall center of gravity of the crane is in the center of rotation when driving in lateral inclines.
- ▶ The overall center of gravity for driving without a load must be constantly checked with the LICCON job planner.
- ▶ Make sure that the permissible lateral and longitudinal inclines are not exceeded.



Note

- ▶ By luffing the boom up and down, the position of the center of gravity **1.2** must be corrected in such a way that the overall center of gravity remains within the core area **1.1**.
- ▶ When driving the crane in terrain with a longitudinal and lateral incline, then the required boom position must be determined with the aid of the LICCON job planner via the position of the overall center of gravity, see section „Display of center of gravity“.



WARNING

The crane can topple over!

When driving in lateral inclines with boom lengths of more than 150 m the crane can topple over.

Personnel can be severely injured or killed.

- ▶ Driving in lateral inclines with boom lengths of more than 150 m is **exclusively** permitted after a written release is obtained from **Liebherr-Werk Ehingen GmbH**.



WARNING

Crane with narrow crawler track!

- ▶ When driving cranes with narrow tracks and corresponding equipment, the special travel charts and danger notes must be observed and adhered to.

Permissible lateral inclines for driving without a load / derrick ballast	
Overall length of boom	Maximum permissible lateral incline
Shorter / equal to 96 m	± 3°
97 m to 150 m	± 2°

Permissible longitudinal inclines for driving without a load / derrick ballast	
Overall length of boom	Maximum permissible longitudinal incline
To 150 m	± 10°

**WARNING**

The crane can topple over!

If the following conditions are not met when driving the crawler crane uphill / downhill, then the crane can topple over.

Personnel can be severely injured or killed.

- ▶ The ground must be able to take on the occurring surface pressures.
- ▶ The friction coefficient between the roadway and the ground must be large enough to take on the occurring drive forces.
- ▶ Slippery ground, especially ice, frost and snow can cause the crane to slide off sideways in longitudinal and lateral inclines and therefore cause the crane to topple over.
- ▶ The turntable must be parallel to the crawler carriers and secured to prevent it from turning.
- ▶ All acceleration and delay maneuvers must be initiated with extreme caution and at the least possible speed.
- ▶ The transfer from the horizontal into an uphill / downhill slope and from the uphill / downhill slope into the horizontal must be made evenly.
- ▶ Edges, over which the crane tilts are impermissible.
- ▶ Any incline changes must be made continuously.
- ▶ The surface pressures which will occur should be determined with the job planner before travel.
- ▶ The ground must be sufficiently load bearing and have sufficient traction to prevent the crane from slipping.
- ▶ The counterweight on the turntable must be secured with a chain, see chapter 4.07 of the Crane operating instructions.
- ▶ The center of gravity of the crane must lie within the core area **1.1** of the crane.
- ▶ The appropriate and permissible boom position for the respective equipment configuration must be determined with the job planner.

4 Driving uphill / downhill

The maximum climbing ability of the crawler crane is limited by the following criteria:

- The location of the center of gravity for the complete crawler crane
- The friction coefficient between roadway and track pads
- The transit between the horizontal and the uphill / downhill slope
- The maximum permissible longitudinal incline of $\pm 10^\circ$ up to a boom length of 150 m
- The oil level in the diesel engine
- The oil level in the travel gears

4.1 Calculation of required length of transfers in uphill / downhill slopes

The required length **L** for transfers results from the existing uphill angle α and the length of the tracks **LC**.

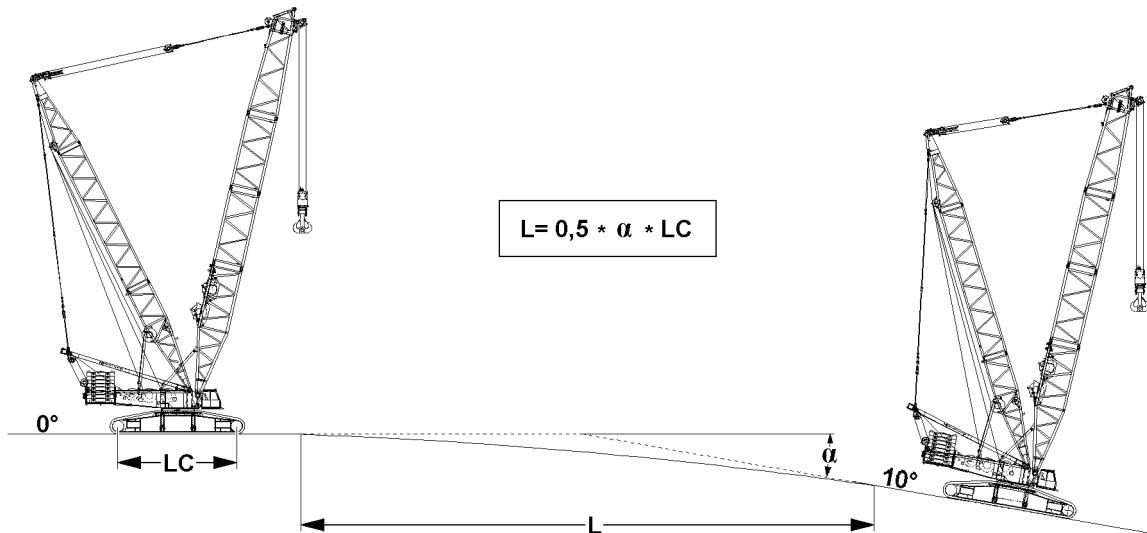


Fig.119612

Abbreviation	Description
L	Required length of transfers
α	Angle Rising / falling inclines in degrees
LC	Length of crawlers between drive wheels / steering wheels

4.1.1 Calculation example

Given:

$$\alpha = 10^\circ$$

LC = 17.3 m (use only the actual value of the crane!)

Wanted:

$$L = ?$$

Calculation formula						
L	=	0,5	*	α	*	LC
L	=	0,5	*	10	*	17.3 m
L	=	86.5				

4.2 Prerequisites for driving under observation of the boom position



Note

- ▶ The illustrations in this section are only examples and may not match to your crane.
- ▶ The determining factor for driving uphill / downhill is the exact knowledge of the existing operational conditions on the jobsite and the surface pressures, permissible boom angles and inclines as well as the overall center of gravity which were determined from them with the job planner.



WARNING

The crane can topple over!

If the following note is not observed, the crane can topple over.
Personnel can be severely injured or killed.

- ▶ Driving uphill / downhill must always be anticipatory, with utmost caution and at the slowest speed.

There are two different possibilities to drive crawler cranes uphill / downhill:

- with boom angle adjustment
- without boom angle adjustment

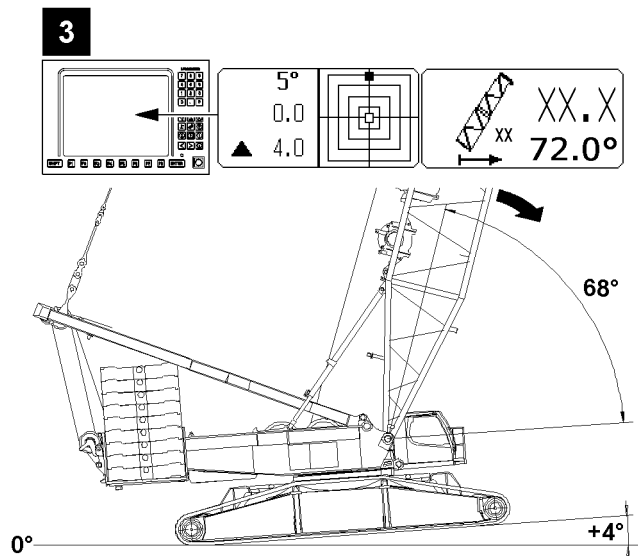
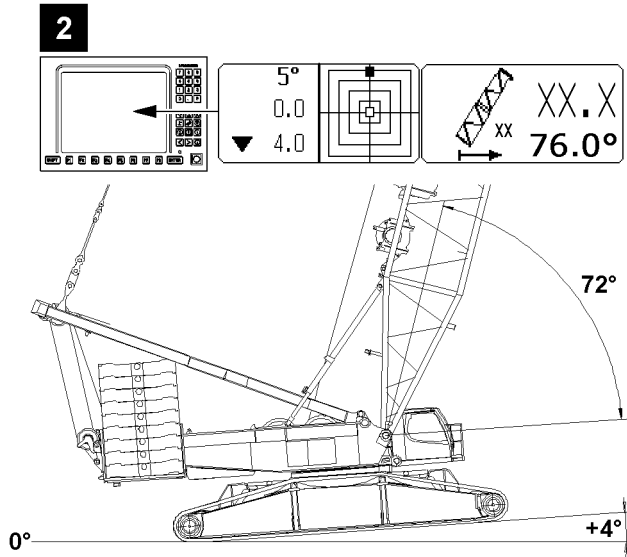
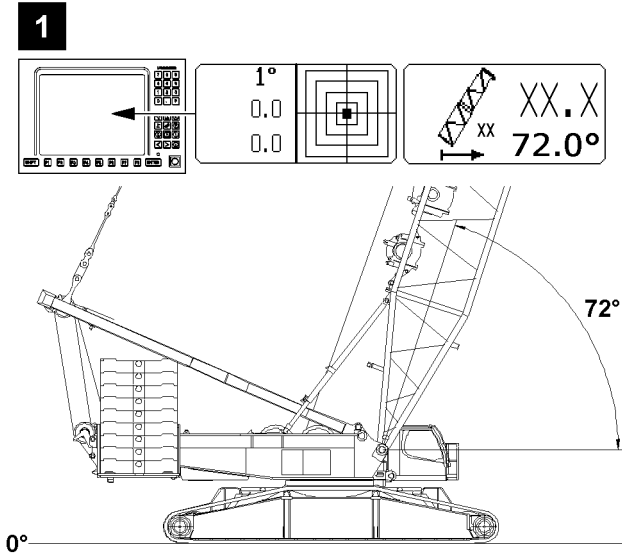


Fig.117601

LWE/LR 11350-005/19004-04-02/en

4.2.1 Prerequisites for driving on uphill / downhill slopes with boom angle adjustment



Note

- ▶ When driving into an uphill / downhill slope, during the transition between the horizontal into the uphill / downhill incline, the original boom angle must be changed continuously in such a way that the original boom angle always remains between the boom and the horizontal. This angle must be retained in the uphill / downhill incline.
- ▶ When driving out of an uphill / downhill slope, during the transition between the uphill / downhill incline into the horizontal, the original boom angle must be changed continuously in such a way that the original boom angle always remains between the boom and the horizontal.
- ▶ In addition, the overall center of gravity of the crane must be observed.



WARNING

The crane can topple over!

When driving in uphill / downhill inclines with a load or derrick ballast, structural parts can break, the carrying crane structures can be damaged or the crane can topple over.

If the boom angle is not matched to the uphill / downhill incline when driving the crane in uphill / downhill slopes, then the crane can topple over.

Personnel can be severely injured or killed.

- ▶ Driving uphill / downhill with a load and / or derrick ballast is prohibited.
- ▶ Match the boom angle to the uphill / downhill incline.

Positive longitudinal incline (illustration 1 to 3)



Note

- ▶ When driving in positive longitudinal inclines (uphill slopes), the boom / the luffing jib must be luffed down continuously - maximum by the **uphill incline angle α** .
- ▶ The uphill incline angle α is 4° in the displayed example, see opposite graphic.
- ▶ View of incline and boom angle (as seen from the crane operator's cab in the direction of travel).

– Illustration 1:

- Crane is horizontally aligned

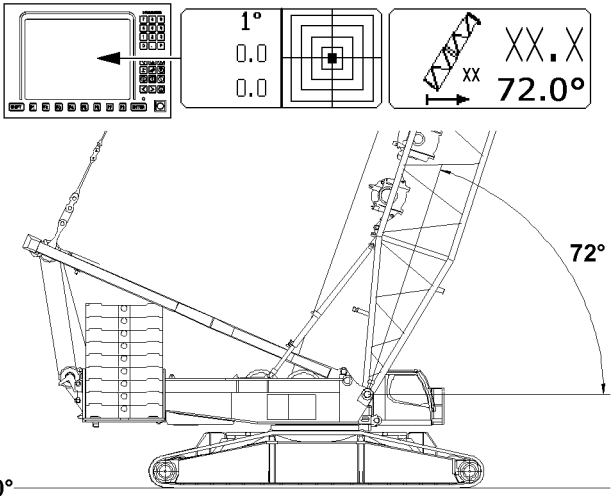
– Illustration 2:

- Crane at 4° uphill incline (positive longitudinal incline), no lateral incline
- **Note:**
The boom angle is always shown to the horizontal.
Example Display boom angle = 76° ($72^\circ + 4^\circ$)
Correct the boom angle.

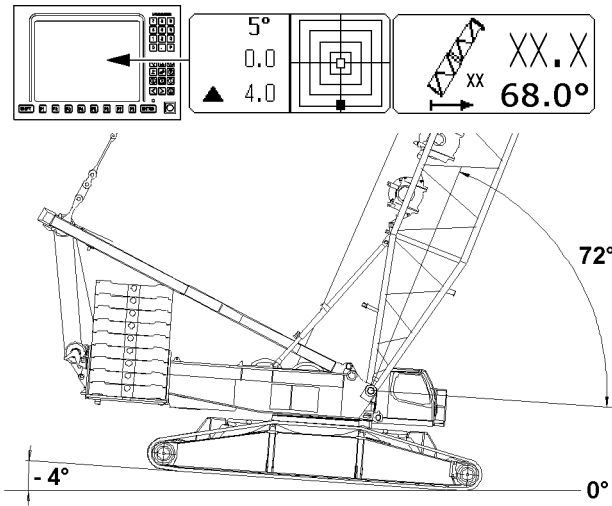
– Illustration 3:

- Crane at 4° uphill incline (positive longitudinal incline), no lateral incline
- **Note:**
The boom angle is always shown to the horizontal.
Luff the boom down by the uphill angle (4°) so that the display boom angle = 72° (68° plus 4°)

4



5



6

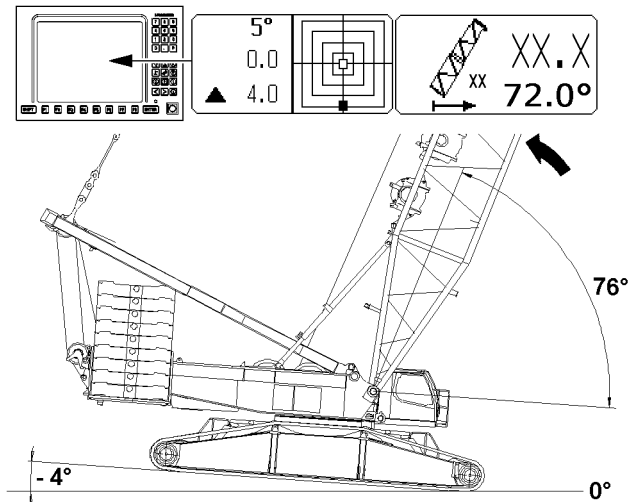


Fig.117607

LWE/LR 11350-005/19004-04-02/en

Negative longitudinal incline (illustration 4 to 6)



Note

- ▶ When driving in negative longitudinal inclines (downhill slopes), the boom / the luffing jib must be luffed up continuously - maximum by the **uphill incline angle α** .
- ▶ The uphill incline angle α is 4° in the displayed example, see opposite graphic.
- ▶ View of incline and boom angle (as seen from the crane operator's cab in the direction of travel).

– Illustration 1:

- Crane is horizontally aligned

– Illustration 2:

- Crane at 4° downhill slope (negative longitudinal incline), no lateral incline

- **Note:**

The boom angle is always shown to the horizontal.

Example Display boom angle = 68° (72° minus 4°)

Correct the boom angle.

– Illustration 3:

- Crane at 4° downhill slope (positive longitudinal incline), no lateral incline

- **Note:**

The boom angle is always shown to the horizontal.

Luff the boom up by the uphill angle (4°) so that the display boom angle = 72° (76° minus 4°)

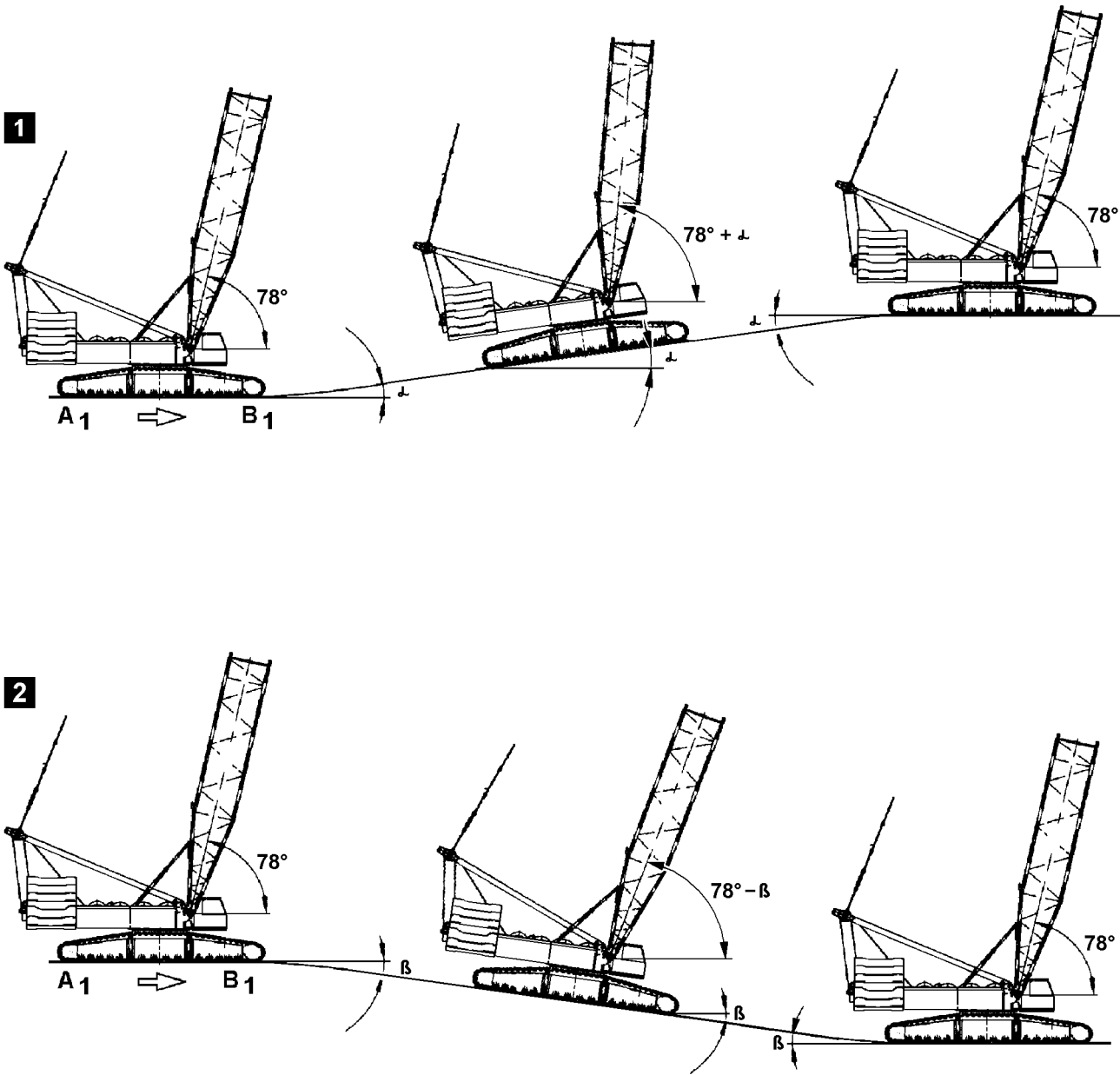


Fig.109866

LWE/LR 11350-005/19004-04-02/en

4.2.2 Prerequisites for driving on uphill / downhill slopes without boom angle adjustment



WARNING

The crane can topple over!

If the overall center of gravity of the crane is outside the core area when driving on uphill / downhill inclines without boom angle adjustment, then the crane can topple over.

Personnel can be severely injured or killed.

- ▶ Before driving into uphill / downhill slopes, check the change of the center of gravity with the job planner.
- ▶ To be able to approximately determine the changes of the center of gravity in uphill / downhill slopes with the job planner, the boom angle must be increased by the incline angle α when driving in uphill / downhill inclines, illustration 1.
- ▶ To be able to approximately determine the changes of the center of gravity in downhill slopes with the job planner, the boom angle must be decreased by the incline angle β when driving in downhill slopes, illustration 2.
- ▶ Before driving the crane, determine exactly with the job planner if the crane may drive on the intended route without changing the boom angle.
- ▶ If the intended uphill / downhill incline cannot be driven without changing the boom angle according to the job planner, then the boom angle must be changed to be able to drive on the uphill / downhill incline.

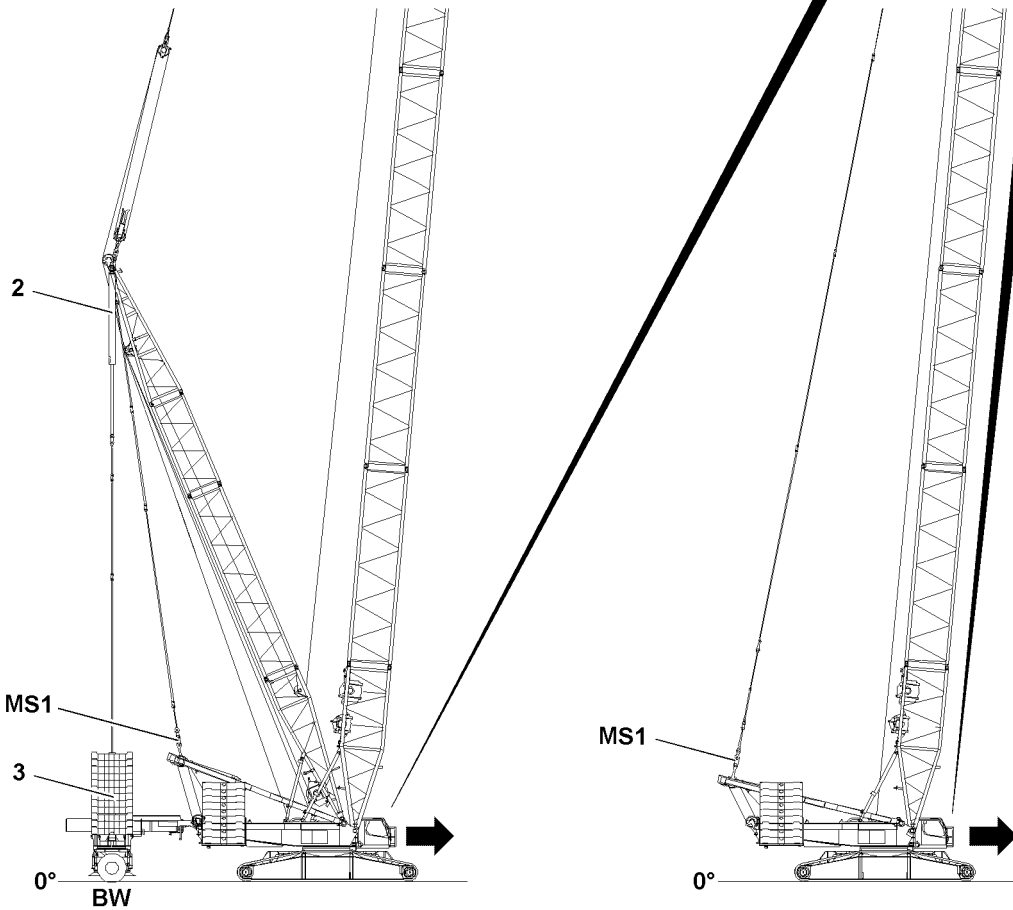
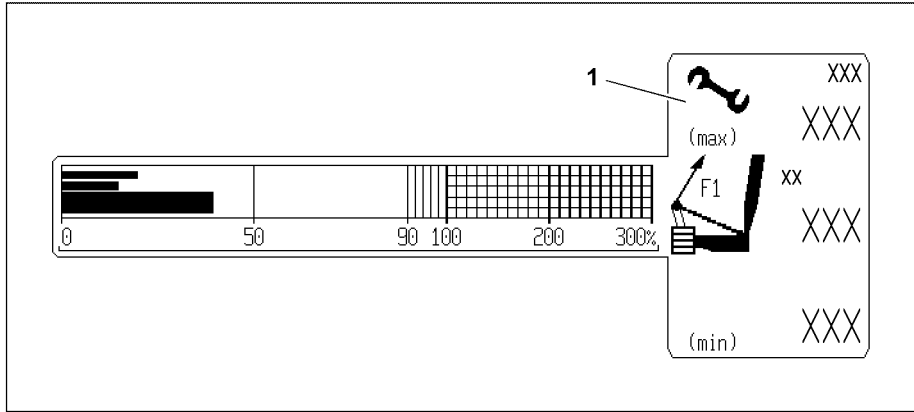


Fig.117598

LWE/LR 11350-005/19004-04-02/en

5 Driving the crawler crane



Note

- ▶ Test point 1 **MS1** = F1 in icon 1.
- ▶ For description of test point 1, see Crane operating instructions, chapter 4.02.



WARNING

The crane can topple over!

When driving the crane - this also applies for „circular travel“ - the ballast trailer **3** is raised due to ground unevenness, the force on test point 1 **MS1** increases very quickly and the crane will be overloaded.

If the ballast trailer **3** sinks while driving due ground unevenness, the force on test point 1 **MS1** drops and the ballast trailer **3** lifts off the ground, or the entire boom system is pulled backward.

There is no LMB shut off.

The crane can topple over and personnel can be severely injured or killed.

- ▶ The crane operator must constantly observe the displays on the LICCON monitor while driving the crawler crane.
- ▶ The crane operator must correct the force changes on test point 1 **MS1** to a permissible operating range already when an advance warning occurrence on the LICCON monitor is issued, by actuating the pull cylinder in the derrick ballast guying.



WARNING

The crane can topple over!

If the following instructions are not observed, the crane can topple over.

Personnel can be severely injured or killed.

- ▶ Before driving the crane with the attachment, the optimum boom position must be determined with the aid of the job planner, to obtain as even a surface pressure as possible.
- ▶ When driving crawler cranes, it must be ensured that the ground can take on the surface pressures safely, which have been calculated with the job planner, over the entire intended travel route. If this is not the case, appropriate measures must be taken to be able to discharge the forces into the ground.
- ▶ An additional monitor, who is connected by radio contact with the crane operator must ensure that there are no persons or obstacles within the danger zone of the crane.

Make sure that the following prerequisite is met:

- The crane engine is running.

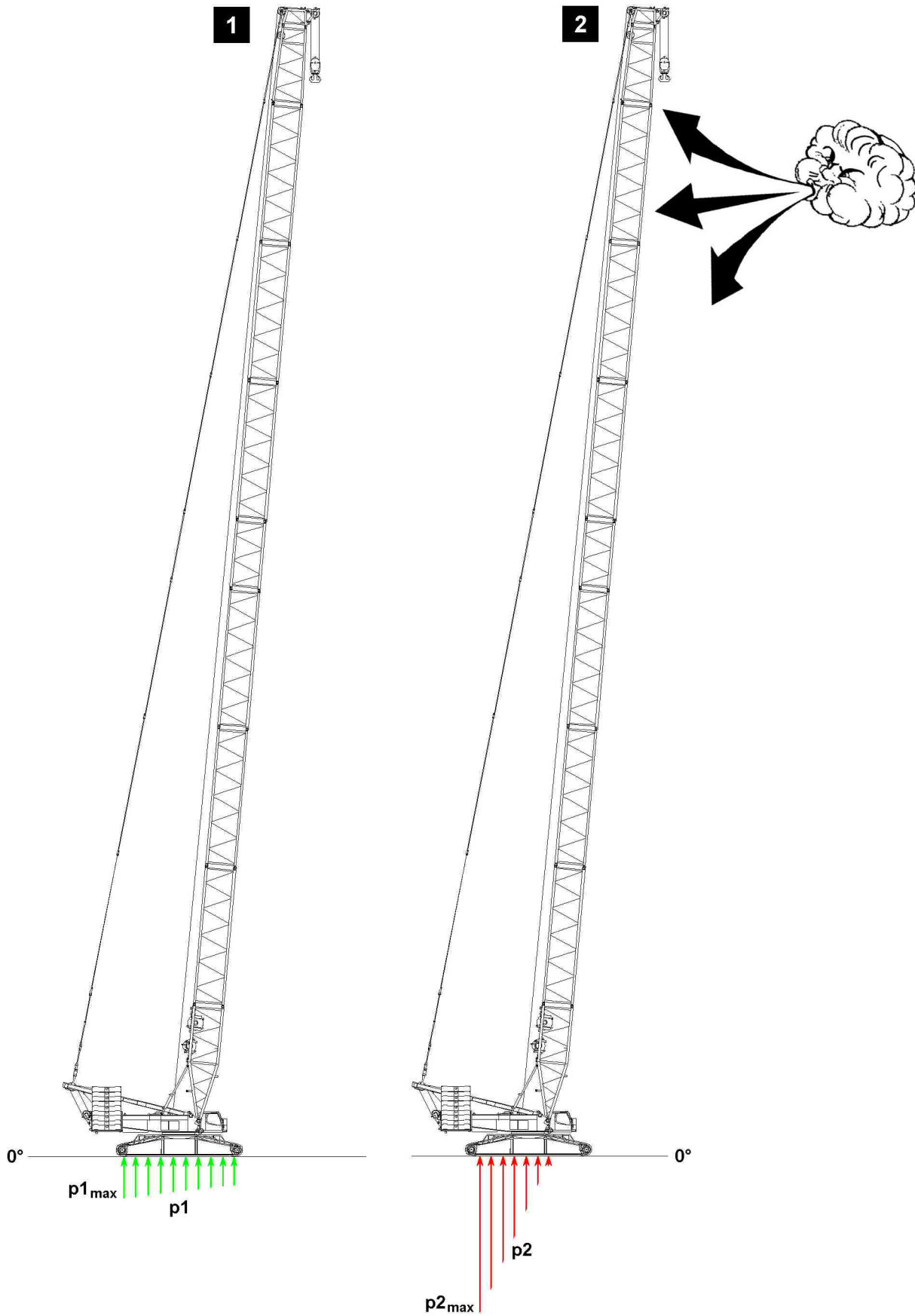


Fig.117599: $p2_{max}$ larger than $p1_{max}$

LWE/LR 11350-005/19004-04-02/en

5.1 Surface pressures and force distribution when driving the crane



WARNING

The crane can topple over!

When driving crawler cranes, surface pressures can significantly increase or change due to different factors.

This can cause the crane to topple over.

Personnel can be severely injured or killed.

- ▶ Make sure that the ground has sufficient load bearing capacity in the entire working range and / or over the entire travel route, to be able to safely take on even increased surface pressures of the crane.
- ▶ Make sure that the center of gravity is always within the core surface, see section „Prerequisites for crawler operation“ and LICCON job planner.

5.1.1 Surface pressures in case of wind load on boom



WARNING

The crane can topple over!

When driving the crane with long boom lengths and / or when driving with large sized loads and / or at high wind speeds, the surface pressures can increase significantly.

This can cause the crane to topple over.

Personnel can be severely injured or killed.

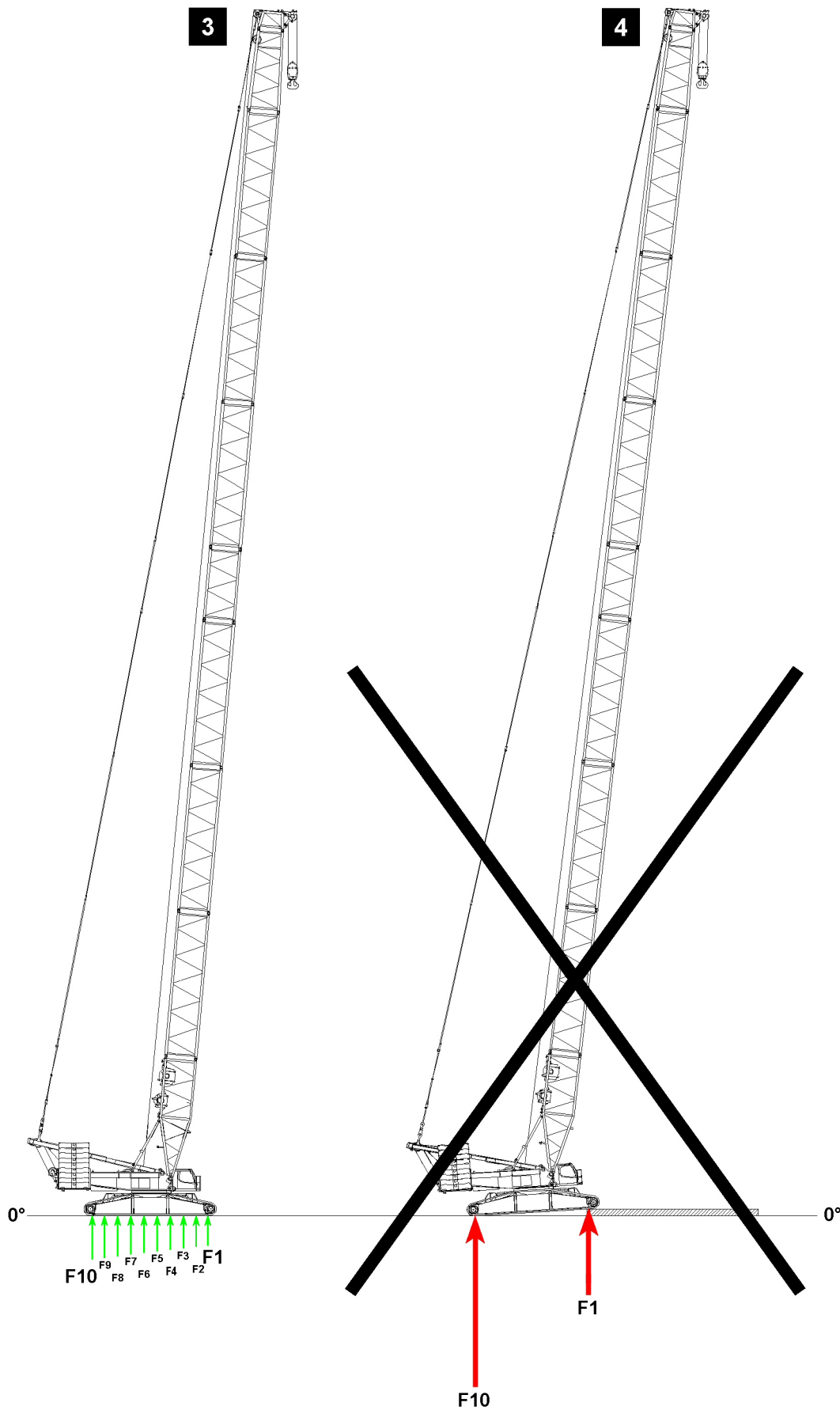
- ▶ Make sure that the entire travel route of the crane is sufficiently load bearing to be able to take on even increase surface pressures - for example if „wind is coming front the front on the boom“.
- ▶ Change of surface pressures on crawler track under wind load, see opposite graphic.

Illustration 1:

- Surface pressures **p1** on crawler track without wind load

Illustration 2:

- Surface pressures **p2** on crawler track in case of wind load from the front



LWE/LR 11350-005/19004-04-02/en

Fig.117600: Force distribution in normal operation // driving on pressure distributor plates

5.1.2 Force distribution when driving on pressure distributor plates



WARNING

The crane can topple over!

When driving the crane on pressure distributor plates, a movement of forces occurs due to the reduction of the ground contact surfaces on the crawler track. The forces concentrate at force **F1** and force **F10**, see illustration 4.

This can cause the crane to topple over.

Personnel can be severely injured or killed.

- ▶ Make sure, before driving the crane on pressure distributor plates, that a load bearing transfer (height equalization) was established, see section „Calculation of required length of transfers“.
- ▶ Driving the crane on pressure distributor plates without transfer (height equalization) is prohibited.

Illustration 3:

- Force distribution on crawler track of crane (normal operation)
 - Without wind influence

Illustration 4:

- Not permissible

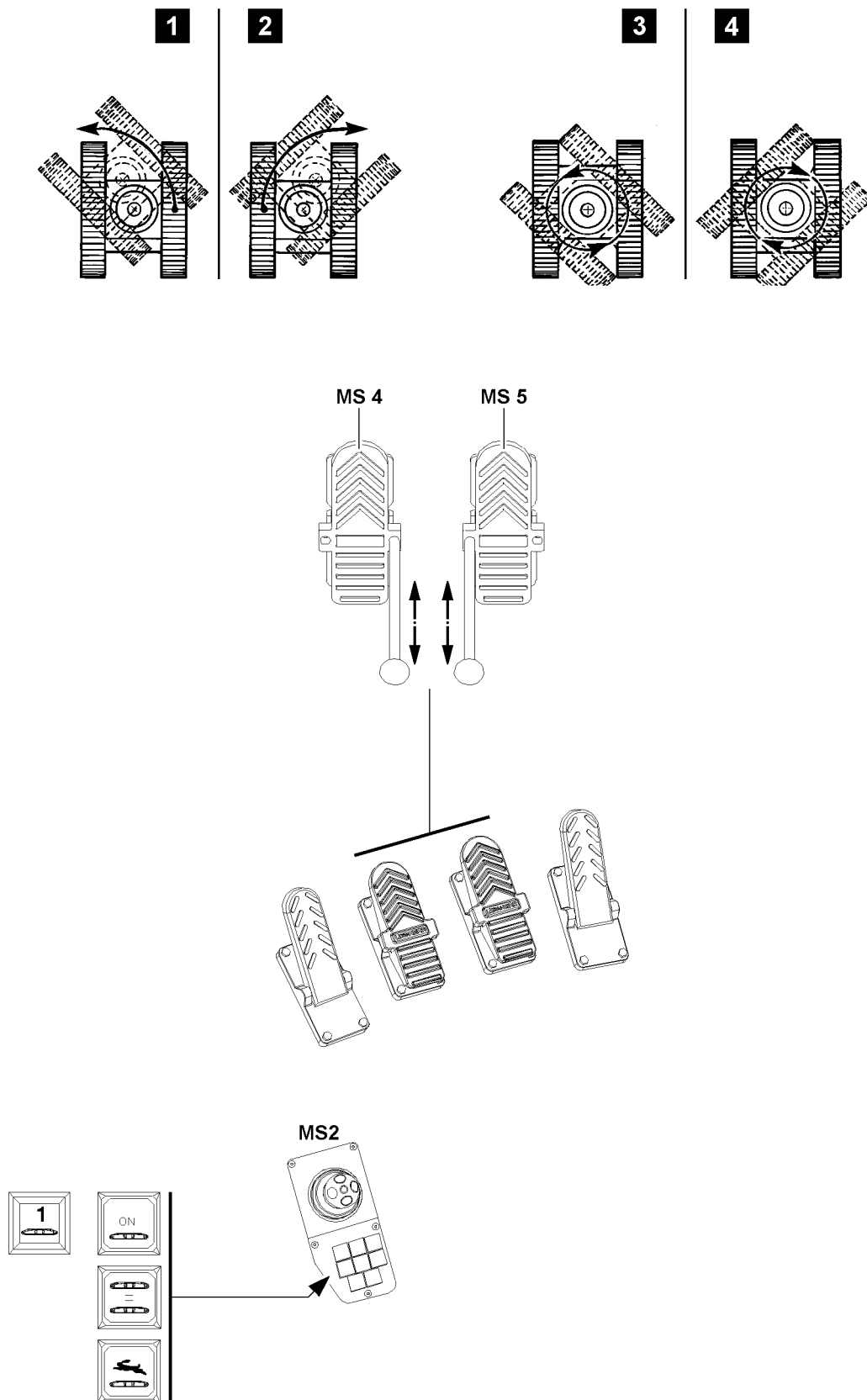






Fig.107964

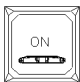
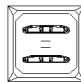

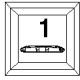
LWE/LR 11350-005/19004-04-02/en

5.2 Operating elements for the crawler operation

5.2.1 Pedal carrier

Pedal carrier (Pedal assignment, see opposite illustration)				
				
	<i>Pedal</i>	<i>Foot rocker MS4</i>	<i>Foot rocker MS5</i>	<i>Pedal</i>
Function:	Slewing gear brake	Crawler travel „left“	Crawler travel „right“	Engine regulation:
Note: See also Crane operating instructions, chapter 4.01 and chapter 4.05				

5.2.2 Switch for crawler operation

Control panel MS2			
			
	Switch „Crawler operation“	Switch „Crawler parallel travel“	Switch „Rapid gear“
	or:		
			
	Switch „Crawler operation“		
Function:	On / Off	On / Off	On / Off
Note: See Crane operating instructions, chapter 4.01.			

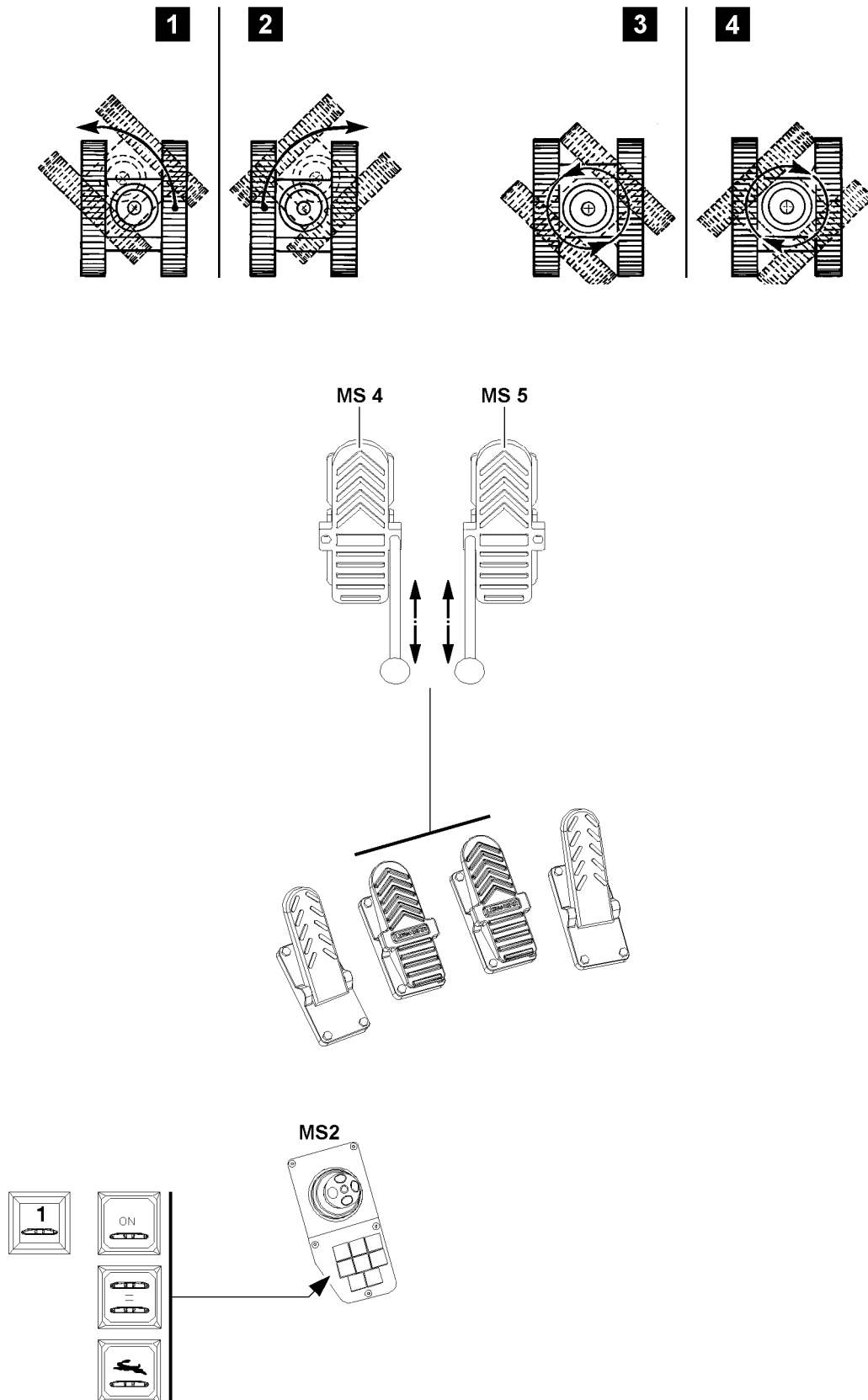


Fig.107964

LWE/LR 11350-005/19004-04-02/en

5.3 Activating crawler operation



Note

- ▶ The engine rpm is increased or decreased via the pedal „engine regulation“.
- ▶ The switch „crawler operation“ can differ somewhat, depending on the crane type.

- ▶ Actuate the switch „Crawler operation“.

Result:

- Crawler operation is activated.
- The indicator light in the switch „crawler operation“ lights up.

To deactivate crawler operation:

- ▶ Actuate the switch „Crawler operation“.

Result:

- Crawler operation is deactivated.
- The indicator light in the switch „crawler operation“ turns off.

5.4 Selecting the travel speed

This crawler crane has 2 possible speeds:

1. Speed stage 1:
Creeper gear
2. Speed stage 2:
Fast mode (Rapid gear)

5.4.1 Activating the creeper gear

Make sure that the following prerequisites are met:

- The switch „Rapid gear“ is not actuated.
- The indicator light in the switch „Rapid gear“ is off.

- ▶ Actuate the switch „Crawler operation“.

Result:

- The creeper gear is active.

5.4.2 Turning the rapid gear on



WARNING

The crane can topple over!

If the crane is driven in rapid gear with a load or derrick ballast, then the crane can topple over. Personnel can be severely injured or killed.

- ▶ Driving with a load or derrick ballast in rapid gear is prohibited.

Make sure that the following prerequisites are met:

- The switch „Parallel travel crawler“ is not actuated.
- The indicator light in switch „Parallel travel crawler“ is off.
- Inching gear is active

To select speed stage 2:

- ▶ Actuate the switch „Rapid gear“.

Result:

- The rapid gear is activated.
- The indicator light in the switch „Rapid gear“ lights up.

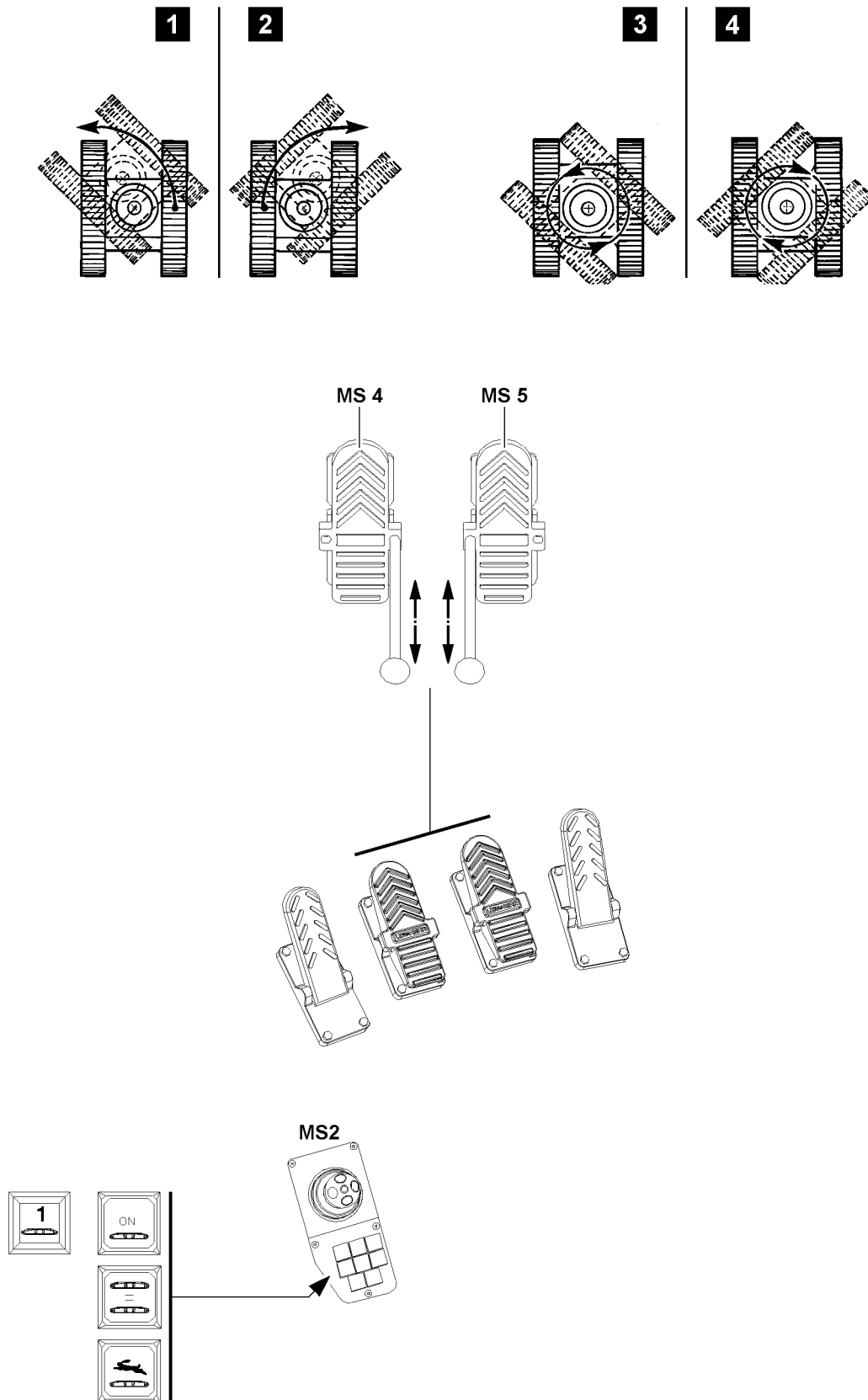


Fig.107964

LWE/LR 11350-005/19004-04-02/en

5.5 Driving the crawler



WARNING

The crane can topple over!

If a crane is driven with a load and / or derrick ballast in rapid gear, then the load and / or the boom can start to swing, structural components can be damaged and the crane can topple over.

Personnel can be severely injured or killed.

- ▶ Driving with a load and / or derrick ballast in rapid gear is prohibited.
- ▶ The maximum permissible travel speed of the crawler with load and / or derrick ballast may not exceed 0.05 m/s or 3 m/min or 0.18 km/h.
- ▶ Steering the crawler with suspended load and / or installed derrick ballast is prohibited.



WARNING

Personnel present in danger zone.

Personnel within the danger zone of the crane can be severely injured or killed.

- ▶ An additional monitor, who is connected by radio contact with the crane operator must ensure that there are no persons or obstacles within the danger zone of the crane.
- ▶ The observer may not remain in the danger zone of the crane.

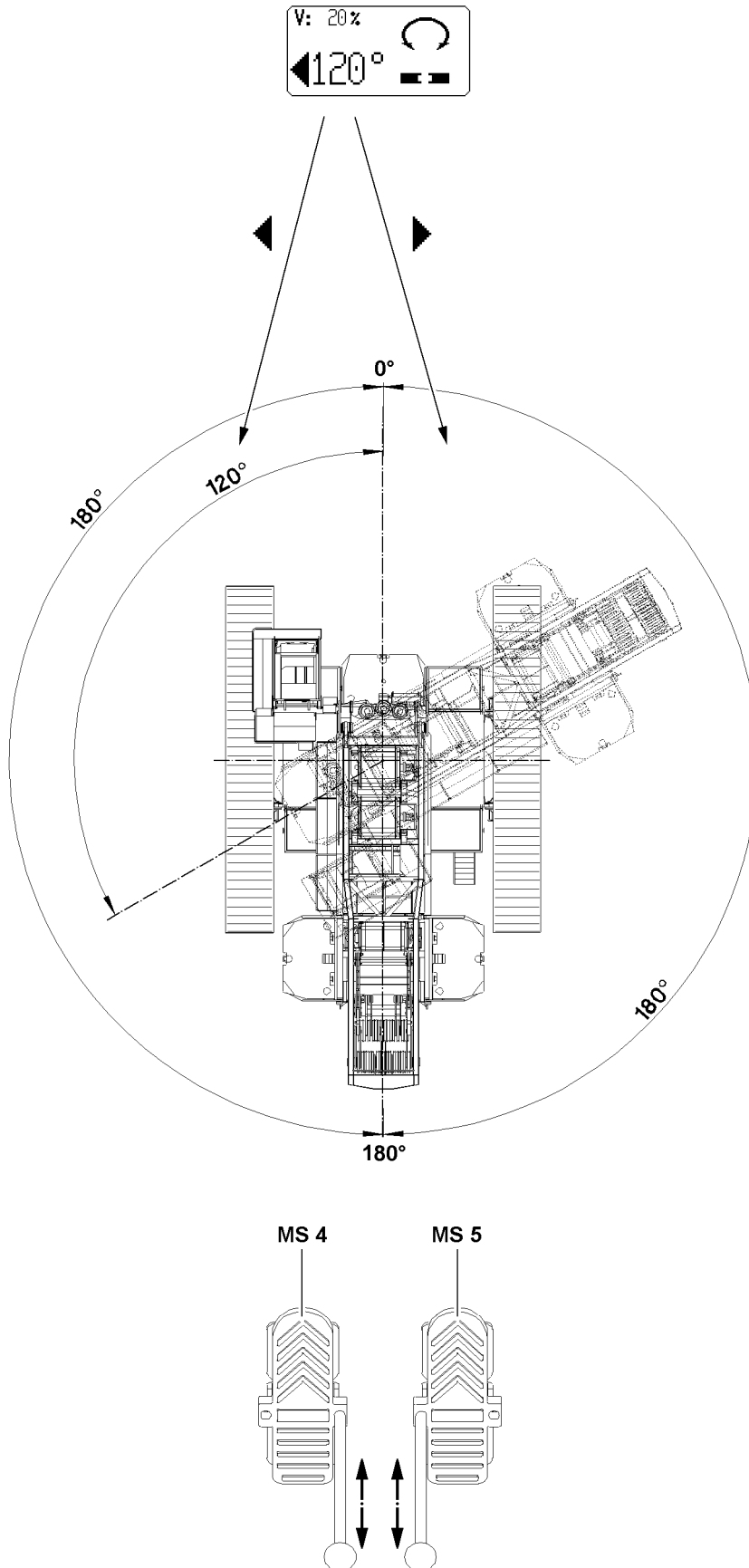


Note

- ▶ Take the hand level from the transport retainer in the crane operator's cab.
- ▶ The technical design of the hand levers is completely identical. The differentiation of the two hand levers is only in their assignment to the corresponding foot rockers in assembled (pushed on) condition.

Make sure that the following prerequisite is met:

- The switch „crawler operation“ is actuated.



LWE/LR 11350-005/19004-04-02/en

Fig.107974

5.5.1 Changing the travel direction



Note

- ▶ At 0°, the crane superstructure is exactly in position „to the front“.
 - ▶ At 180°, the crane superstructure is exactly in position „to the rear“.
-

The travel direction relates to the position of the crane superstructure:

- If the crane superstructure is turned past 90°, then the „forward / reverse“ travel direction changes.
- If the crane superstructure with actuated foot rocker **MS 4** or foot rocker **MS 5** is turned past 90°, then the travel direction remains until the corresponding foot rocker / manual control lever is „returned“ to neutral position.

This means the new travel direction becomes active only if the corresponding foot rocker / manual control lever is no longer actuated.

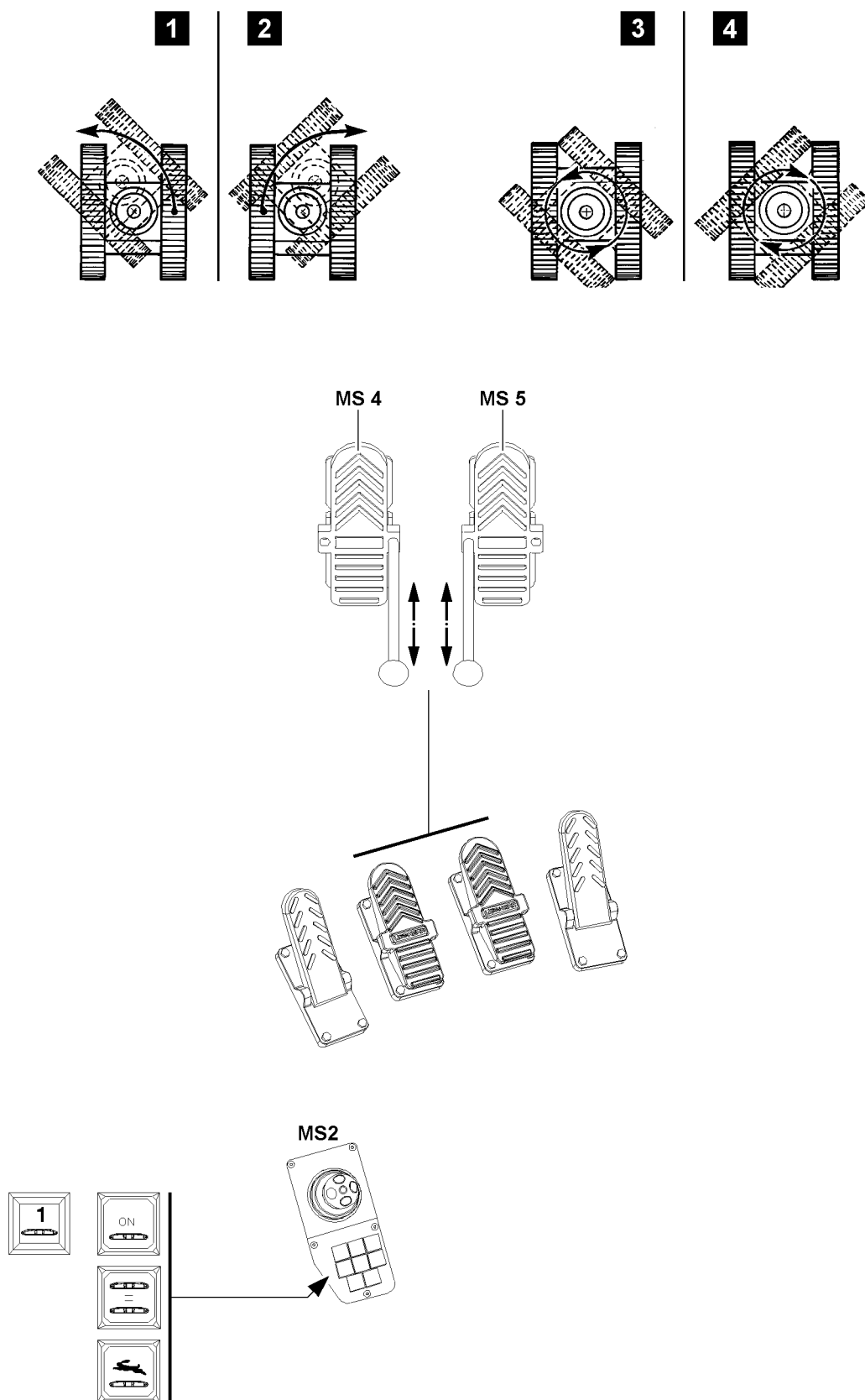


Fig.107964

LWE/LR 11350-005/19004-04-02/en

5.5.2 Driving the crawler forward and backward

The tracks can be operated with the foot rockers:

- Crawler track left: Foot rocker **MS4**
- Crawler track right: Foot rocker **MS5**

Alternatively, a manual lever can be installed (inserted) on the foot rocker **MS4** and the foot rocker **MS5** in order to control the travel movements of the crawler precisely.

Driving the crawler forward

- ▶ Push the right foot rocker **MS5** forward.
or
Move the manual lever on the foot rocker **MS5** forward.

Result:

- The right track moves forward.

- ▶ Push the left foot rocker **MS4** forward.
or
Move the manual lever on the foot rocker **MS4** forward.

Result:

- The left track moves forward.

Move the crawler backward.

- ▶ Push the right foot rocker **MS5** back.
or
Move the manual lever on the foot rocker **MS5** backward.

Result:

- The right track moves backward.

- ▶ Push the left foot rocker **MS4** back.
or
Move the manual lever on the foot rocker **MS4** backward.

Result:

- The left track moves backward.

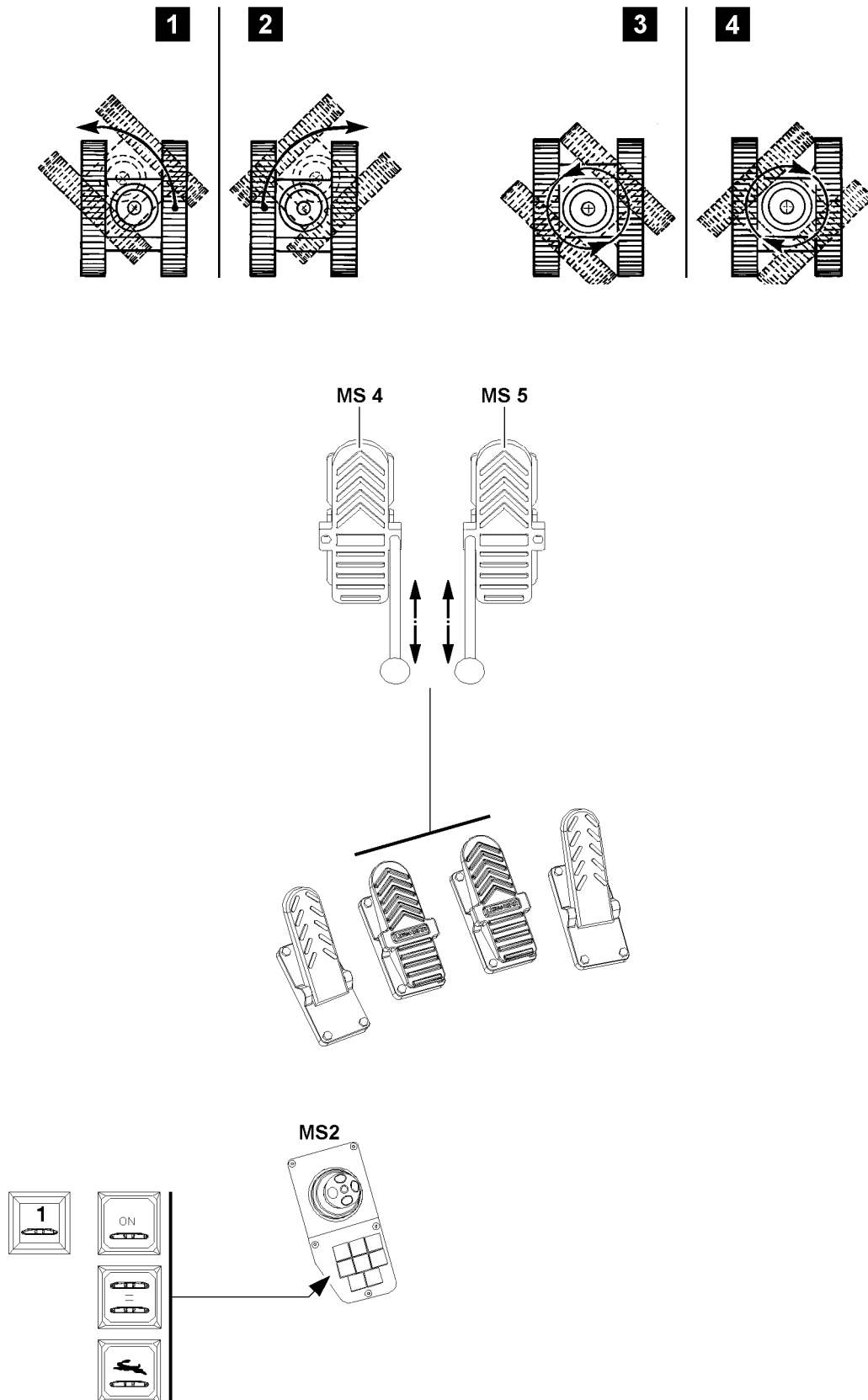


Fig.107964

LWE/LR 11350-005/19004-04-02/en

5.5.3 Activating „parallel travel“

If „parallel travel crawler“ is added, both tracks are simultaneously controlled by pressing down on foot rocker **MS4** or foot rocker **MS5**. The foot rocker, which is actuated first serves as the control for both crawler tracks. This makes it possible to drive the tracks exactly straight forward on suitable ground.



Note

- ▶ If, with the „rapid gear“ turned on, the function „parallel travel crawler“ is added, then the function „rapid gear“ is deactivated: The indicator light in the switch „rapid gear“ turns off. However, the switch remains actuated.
 - ▶ If the function „parallel travel crawler“ is turned off again, the rapid gear activates automatically: The indicator light in the switch „Rapid gear“ lights up.
-

Make sure that the following prerequisite is met:

- Rapid gear is deactivated: The indicator lights in switch „rapid gear“ is off.
- ▶ Actuate the switch „parallel travel crawler“.

Result:

- „Parallel travel crawler“ is activated.
- The indicator light in the switch „parallel travel crawler“ lights up.

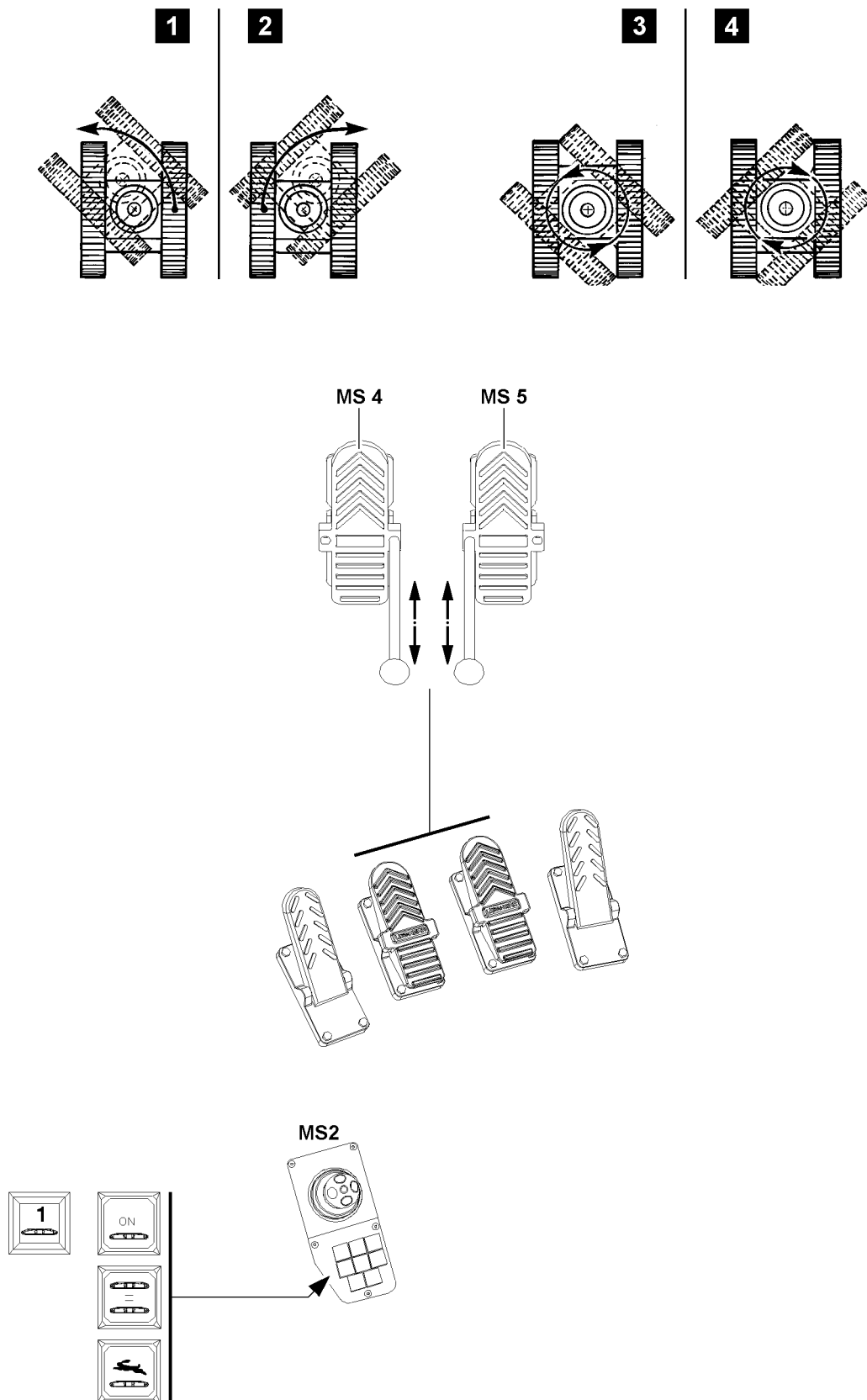


Fig.107964

LWE/LR 11350-005/19004-04-02/en

5.5.4 Steering the crane



WARNING

The crane can topple over!

If the crane is steered with applied slewing gear brake, then the boom system can be damaged due to high side acceleration.

Personnel can be severely injured or killed.

- ▶ When steering the crawler, always activate the slewing gear freewheeling.



WARNING

The crane can topple over!

If the crawler is steered with a sagging chain, then the centering cams of the track pads can no longer be centered and guided in the drive wheels and the track rollers.

The centering cams are damaged and / or the chain can jump from the drive wheels and damage them.

Personnel can be severely injured or killed.

- ▶ Stop steering movements immediately.
- ▶ Drive straight forward until all centering cams are centered again in the track rollers.
- ▶ If possible, retension the track chain, see Crane operating instructions, chapter 7.04.



WARNING

The crane can topple over!

When steering in small radii or when steering in counterrotation, the crawler tracks can „dig“ into the ground and cause the crane to topple over.

Personnel can be severely injured or killed.

- ▶ Steer the tracks in as large a radius as possible.
- ▶ Avoid counterrotation.

Steering the tracks to the left

See illustration 1.

- ▶ Push the right foot rocker **MS5** forward.
- or
- ▶ Move the manual lever on the foot rocker **MS5** forward.

Steering the tracks to the right

See illustration 2.

- ▶ Push the left foot rocker **MS4** forward.
- or
- ▶ Move the manual lever on the foot rocker **MS4** forward.

Counter-rotating the tracks to the left

See illustration 3.

- ▶ Push the right foot rocker **MS5** forward and the left foot rocker **MS4** backward.
- or
- ▶ Move the manual lever on the foot rocker **MS5** forward and move the foot rocker **MS4** backward.

Counter-rotating the tracks to the right

See illustration 4.

- ▶ Push the left foot rocker **MS4** forward and the right foot rocker **MS5** backward.
- or
- ▶ Move the manual lever on the foot rocker **MS4** forward and move the foot rocker **MS5** backward.

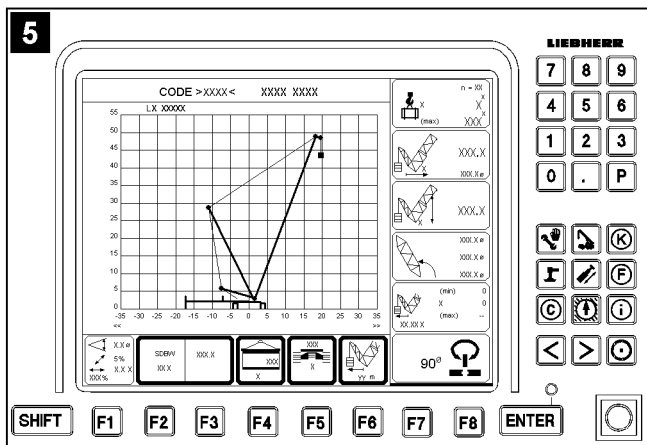
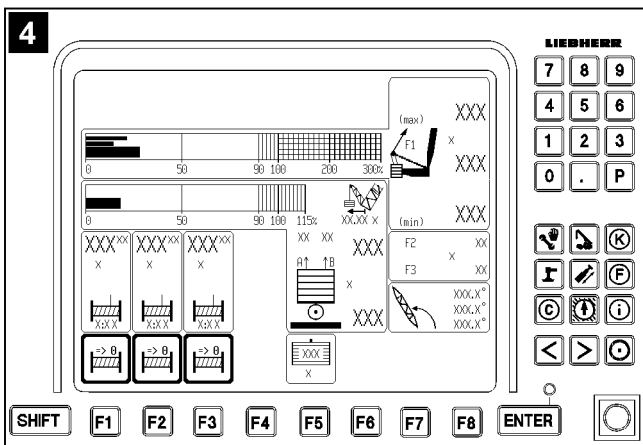
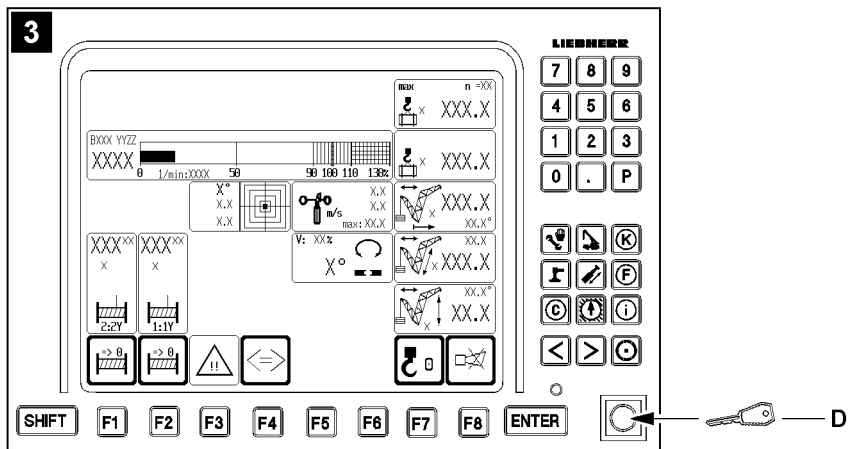
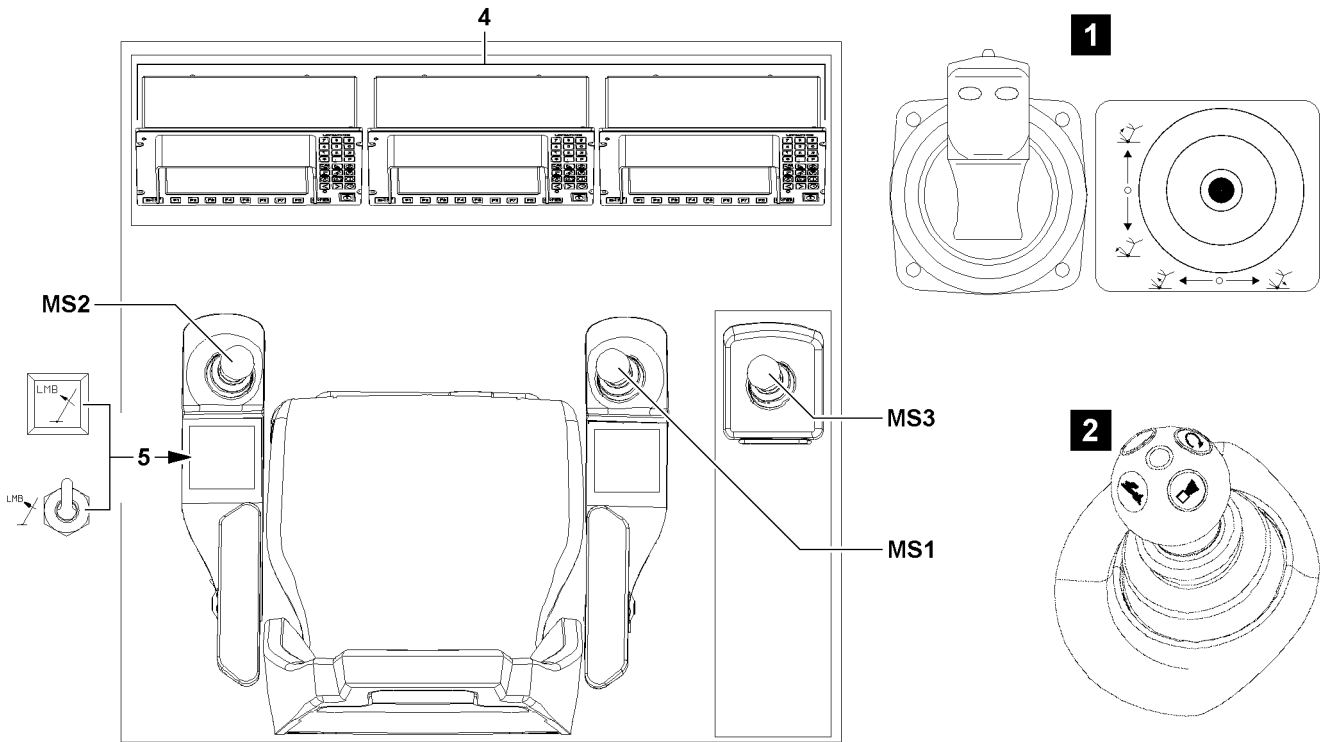


Fig.112332

LWE/LR 11350-005/19004-04-02/en

1 General

To operate the crane, three manually actuated master switches (MS1, MS2, MS3) are available.

- **MS1** Master switch
 - Right control console
- **MS2** Master switch
 - Left control console
- **MS3** Master switch
 - Right instrument panel

To monitor the crane, depending on the crane type, two or three LICCON monitors **4** are in the instrument panel.

- LICCON monitor, illustration **3**
 - User interface for entry of equipment configurations and for crane operation (crane operating screen), also described as LICCON monitor 0
- LICCON monitor, illustration **4**
 - User interface for operation with „Derrick“ boom, also described as LICCON monitor 1
- LICCON monitor, illustration **5**
 - User interface for „LICCON job planner“ (only for crane types with three monitors), also described as LICCON monitor 2

Equipment in the crane cab		
Crane type	Manually actuated master switches	LICCON monitors
LR 1350/1	Three (version illustration 2)	Two (three*)
LR 1400/2	Three (versions illustration 1)	Two
LR 1600/2	Three (version illustration 2)	Three
LR 1750	Three (version illustration 2)	Three
LG 1750	Three (version illustration 2)	Three
LR 11350	Three (version illustration 2)	Three

In the crane operator's cab, two buttons are installed to make it possible to bring the crane from an emergency situation after a shut off of the LICCON overload protection.

- Set up key **D** (Function „Exceeding the shut off limits for the LICCON overload protection“) on the LICCON monitor with crane operating screen, illustration **3**
- Button **5** „Luffing in with suspended load“ in the left control console

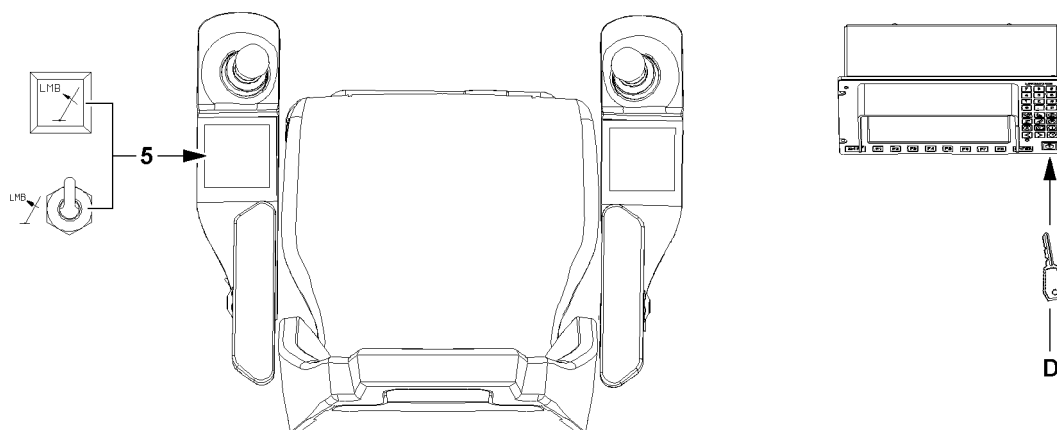


Fig. 112333

The function „Exceedance of shut off limits of the LICCON overload protection“, which is activated with the set up key **D** includes the following:

- Exceedance of the maximum permissible load moment
- Bypass of the hoist top shut off
- Exceedance of limit values from load charts
- Exceedance of maximum value test point 1 (force F1)
- Allowance of individual, limited crane movements after LMB STOP (error message)
- Completion of crane movements outside of load charts (erection / take down procedures)

NOTICE

Multi action function „Exceedance of shut off limits of the LICCON overload protection“

If the set up key **D** is actuated, then it is possible to exceed several shut off limits of the LICCON overload protection simultaneously!

The LICCON overload protection as a whole is deactivated or limited.

There is no additional protection against crane overload!

- ▶ When the set up key **D** is actuated, it must be taken into account that the LICCON overload protection as a whole is deactivated or limited.



Note

The set up key **D** has two functions, independent of each other:

- ▶ If no crane movement can be carried out due to the shut off of crane operation by the LICCON overload protection, then by pressing the set up key **D**, a 100 % utilization can be exceeded and / or an active shut off can be bypassed. The crane can thereby be controlled again in normal operating status (utilization below 100 % and no active shut off).
- ▶ When the set up key **D** is actuated, all erection / take down procedures can be carried out within the erection / take down charts (assembly operation).

**WARNING**

Danger of accident due to function „Exceedance of shut off limits of the LICCON overload protection“! If the shut off limits of the LICCON overload protection are exceeded, there is no additional protection against crane overload!

Due to erroneous operation or deliberate misuse, the crane could collapse, the boom can break off or the crane can topple over!

Personnel can be severely injured or killed!

- ▶ The button **5** „Luffing in with suspended load“ and the set up key **D** may only be actuated when it is ensured that no normal operating condition (utilization below 100 % and no active shut off) can be reached without the function „Exceedance of shut off limits of the LICCON overload protection“!
- ▶ Actuate the set up key **D** only when no normal operating condition (utilization below 100 % and no active shut off) can be reached with the button **5** „Luffing in with suspended load“!
- ▶ The function „Exceedance of shut off limits of the LICCON overload protection“ is only permissible in emergencies and for assembly purposes!
- ▶ The set up key **D** may only be actuated by persons who are aware of the effects of their acts regarding the function „Exceedance of shut off limits of the LICCON overload protection“!
- ▶ The function „Exceedance of shut off limits of the LICCON overload protection“ requires the presence of an authorized person and must be performed with utmost caution!
- ▶ Crane operation with activated function „Exceedance of shut off limits of the LICCON overload protection“ is prohibited!

**WARNING**

Expanded working / danger zone of the crane!

Due to the function „Exceedance of shut off limits of the LICCON overload protection“ it is possible that the working / danger zone of the crane is significantly expanded!

If these circumstances are not observed, collisions and accidents can occur!

Personnel can be severely injured or killed!

- ▶ With activated function „Exceedance of shut off limits of the LICCON overload protection“ take an expanded working / danger zone of the crane into account and monitor it!

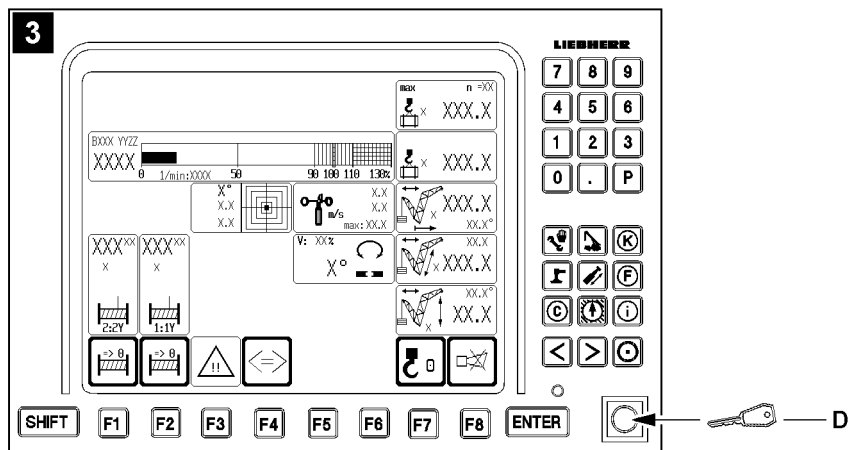
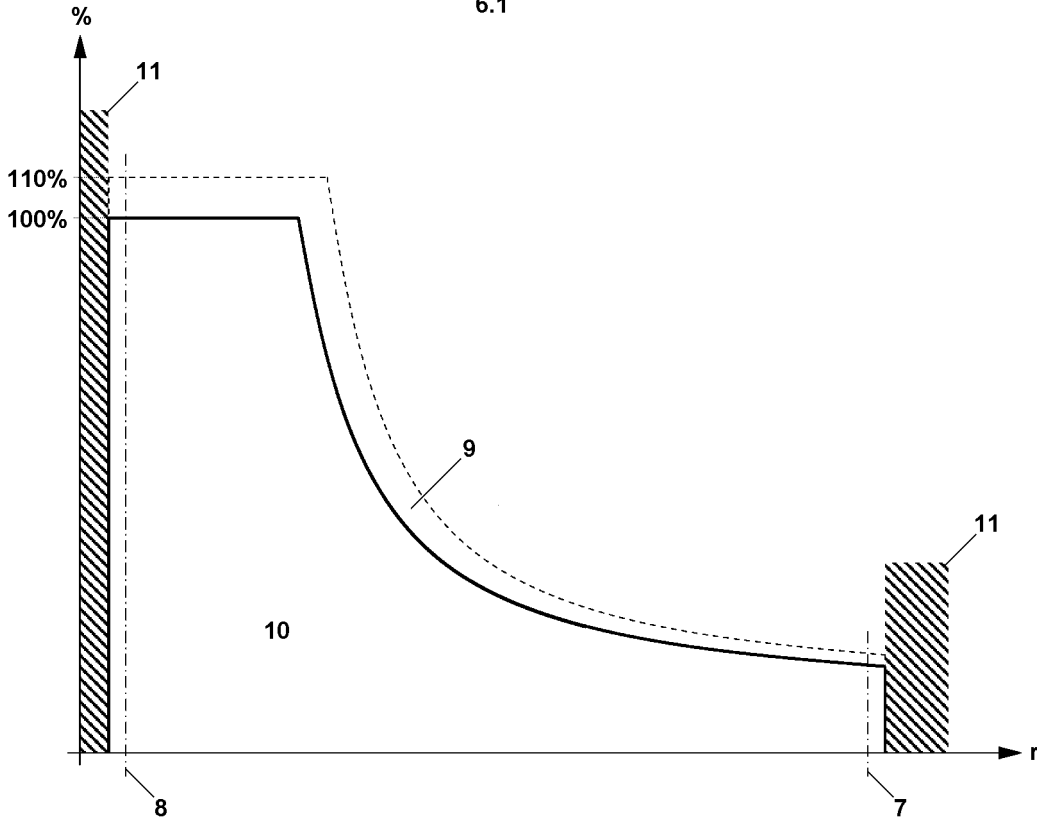
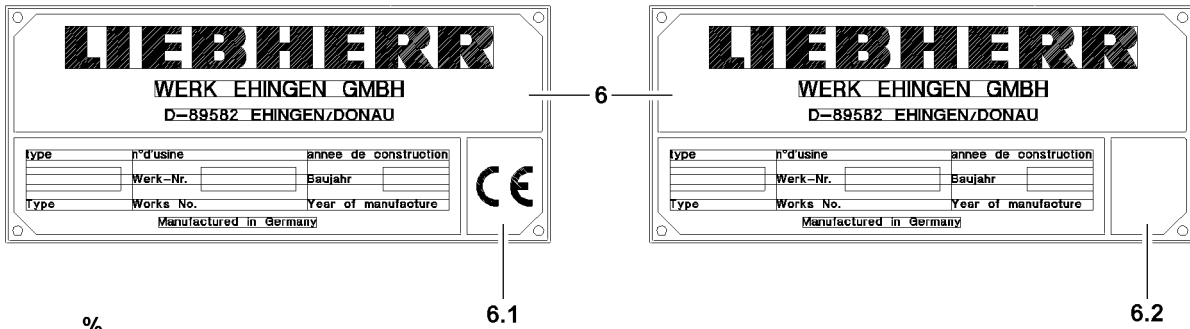


Fig.111211

LWE/LR 11350-005/19004-04-02/en

2 Instructions for resuming crane movements for cranes with CE mark



WARNING

Risk of accident!

If the following points are not observed, personnel can be severely injured or killed.

- ▶ The crane operator bears the sole and full responsibility for the adherence to measures to be taken in case of shut off of crane movement!
- ▶ The crane operator must make sure, before crane operation, that he is using the correct description for the current programming!



Note

- ▶ Check the data tag **6** to determine if your crane has a CE mark!
- ▶ The following section applies to a crane with CE mark, see data tag **6.1!**
- ▶ If your crane does not have a CE mark, see data tag **6.2**, then you must observe the description in section „Instructions for resuming a crane movement for cranes without CE mark“!

2.1 Overview load chart for cranes with CE mark

Axle	Description
r	Radius boom (working radius)
%	Utilization of the crane in percentages

Position	Description
7	Lower limit angle load chart
8	Upper limit angle load chart
9	Utilization up to 110 % with reduced working speed
10	Area „Load chart available“
11	Area „No load chart available“



Note

- ▶ If the set up key **D** (LICCON monitor with crane operating screen, illustration **3**) is actuated in the area „Load chart available“, then the working speed is reduced and all displays of the LICCON overload protection remain functional!
- ▶ If the set up key **D** is actuated in the area „No load chart available“, then the working speed is not reduced!

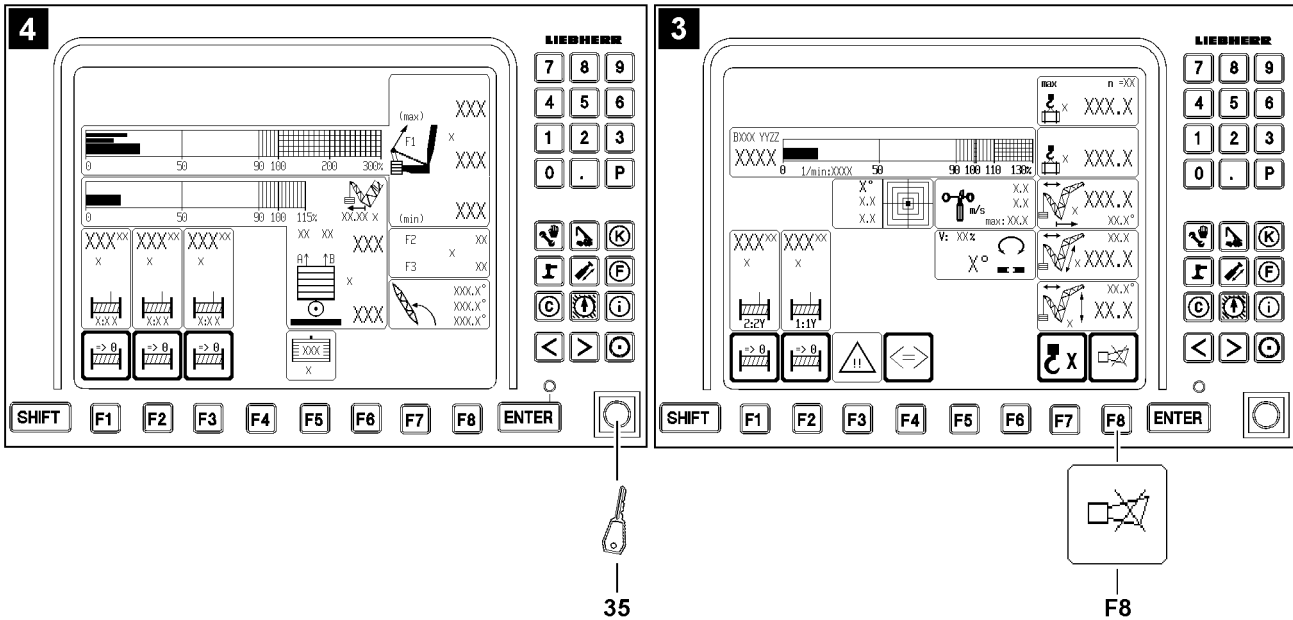
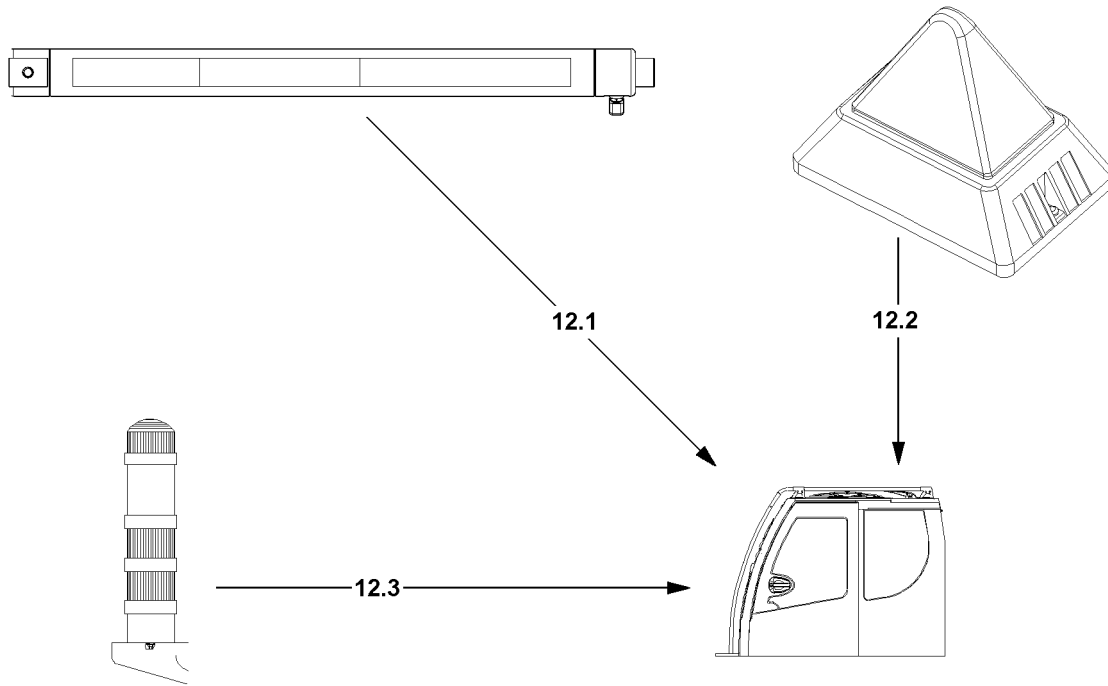


Fig.111212

2.2 Overview of acoustic / visual warnings for cranes with CE mark

- Depending on the crane type, either a warning light **12.1** or a flashing beacon **12.2** or a combination of flashing beacon **12.2** and warning light* **12.3** are installed.
- The acoustic warnings within the crane operator's cab are turned off by pressing the button **F8** on the LICCON monitor with crane operating screen (illustration **3**).
- The acoustic warnings outside the crane operator's cab are turned off by actuating the key button **35** on the LICCON monitor with derrick operating screen (illustration **4**).

2.2.1 Description of acoustic / visual warnings

The case numbers from the chart „Overview of case numbers“ are valid for the following charts in this chapter:

- „Acoustic / visual warnings on the LICCON monitor“
- „Warning light 12.1“
- „Flashing beacon 12.2“
- „Warning light 12.3“

Overview of case numbers	
Case number	Description Case
Case 001	Utilization of crane from 0 % to 89 %
Case 002	Utilization of crane from 90 % to 100 %
Case 003	Utilization of crane over 100 %
Case 004	Shut off of crane movements - LMB STOP
Case 005	Luffing in with suspended load
Case 006	Participating sensor (LMB) defective
Case 010	Exceeding the shut off limits of the LICCON overload protection
Case 011	Bypass of shut off hoist top
Case 016	Bypass of shut off luffing down the boom / auxiliary boom / accessories, „Load chart available“
Case 018	Bypass of shut off luffing down the boom / auxiliary boom / accessories, „No load chart available“
Case 020	Exceeding the shut off limits of the LICCON overload protection during erection / take down procedures, „No load chart available“

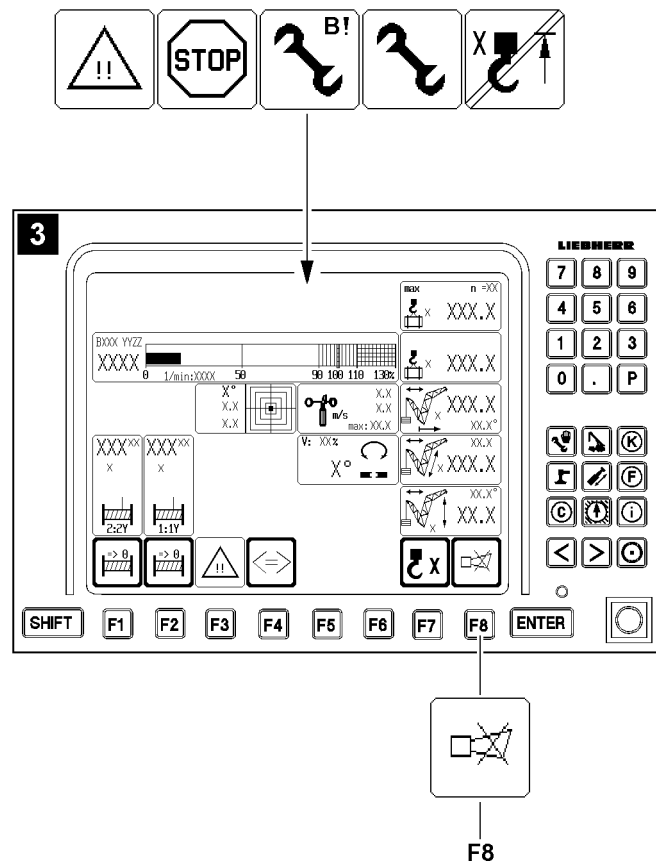


Fig.111209

2.2.2 Acoustic / visual warnings within the crane operator's cab



Note

► Description of individual case numbers, see chart „Overview of case numbers“!

Acoustic / visual warnings on the LICCON monitor									
Case number	Acoustic warning LICCON monitor at utilization of crane			Visual warning LICCON monitor					
	Short sound	Long sound	Long sound	Utilization of crane		Occurrence			
	From 90 %	Above 100 %	Always	From 90 %	Above 100 %	LMB STOP	Appears if the set up key D is actuated		
Case 001							—	—	—
Case 002	X ²			O			—	—	—
Case 003		X ²		O	O		—	—	—
Case 004			X ²		O		—	—	—
Case 005	X ²	X ²		O	O		—	—	—
Case 006			X ²			O	Cannot be bypassed ⁵		
Case 010	X ²	X ²		O	O		O		
Case 011			X ²	O	O	O	O		O
Case 016	X ²	X ²		O	O		O		
Case 018			X ²			O		O	
Case 020			X ²			O		O	

O = cannot be turned off

X² = can be turned off immediately on the LICCON monitor key **F8**

Cannot be bypassed⁵ = contact Liebherr Service

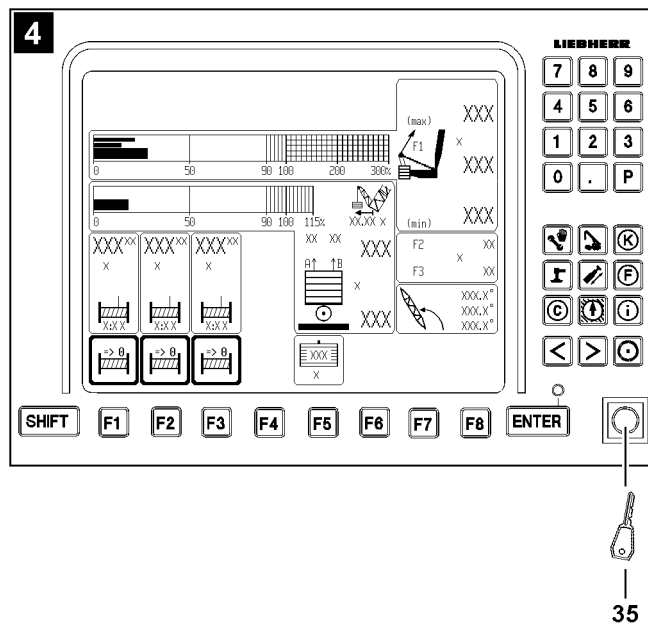
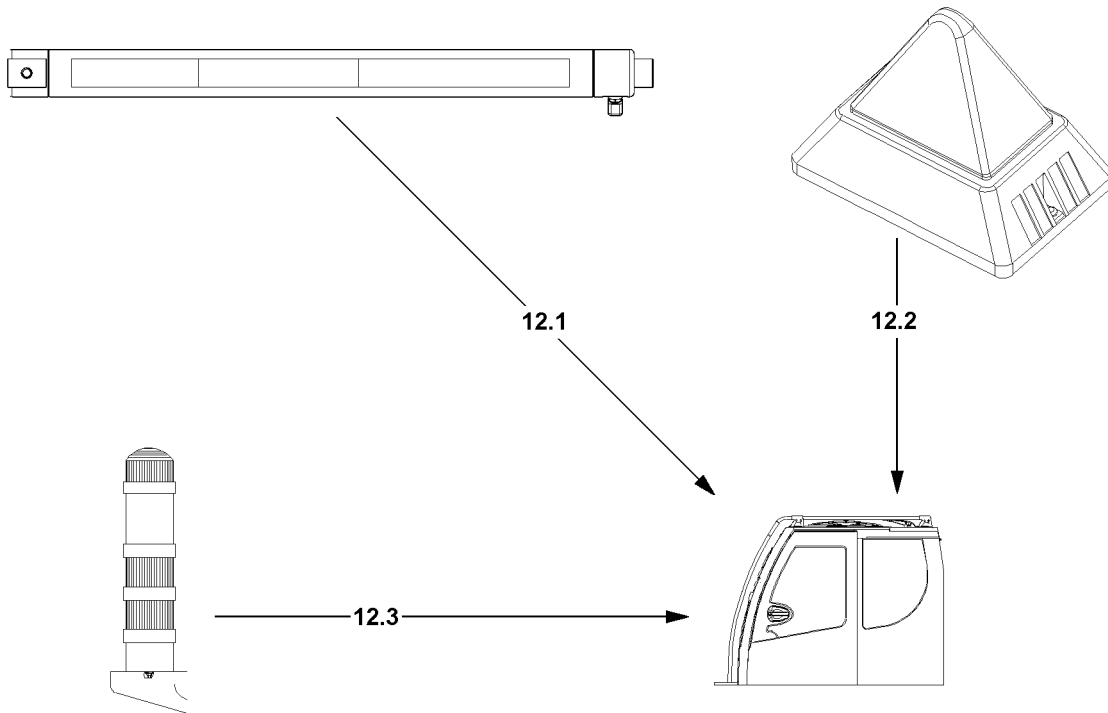


Fig.111206

2.2.3 Acoustic / visual warnings outside the crane operator's cab



Note

► Description of individual case numbers, see chart „Overview of case numbers“!

Warning light 12.1					
Case number	At utilization of crane	Acoustic warning	Visual warning		
		Signal turntable	Green	Yellow	Red
Case 001	From 0 % to 89 %		O ¹		
Case 002	From 90 % to 100 %			O ¹	
Case 003	Above 100 %	X ¹			O ¹
Case 004	-				O ¹
Case 005	From 0 % to 89 %		O ¹		
Case 005	From 90 % to 100 %			O ¹	
Case 005	Above 100 %	X ¹			O ²
Case 006	-				O ¹
Case 010	From 0 % to 89 %		O ¹		
Case 010	From 90 % to 100 %			O ¹	
Case 010	Above 100 % to 110 %			O ²	
Case 010	Above 110 %	X ¹			O ¹
Case 011	Up to 110 %			O ²	
Case 011	Above 110 %	O			O ²
Case 016	From 0 % to 89 %		O ¹		
Case 016	From 90 % to 100 %			O ¹	
Case 016	Above 100 % to 110 %			O ²	
Case 016	Above 110 %	X ¹			O ¹
Case 018	No value available			O ²	
Case 020	No value available			O ²	

O = cannot be turned off

O¹ = warning light **12.1** lights up

O² = warning light **12.1** blinks

X¹ = can be turned off by actuating (right touching) the key button **35** on the LICCON monitor with the derrick operating screen (illustration **4**), effective after at least 5 seconds

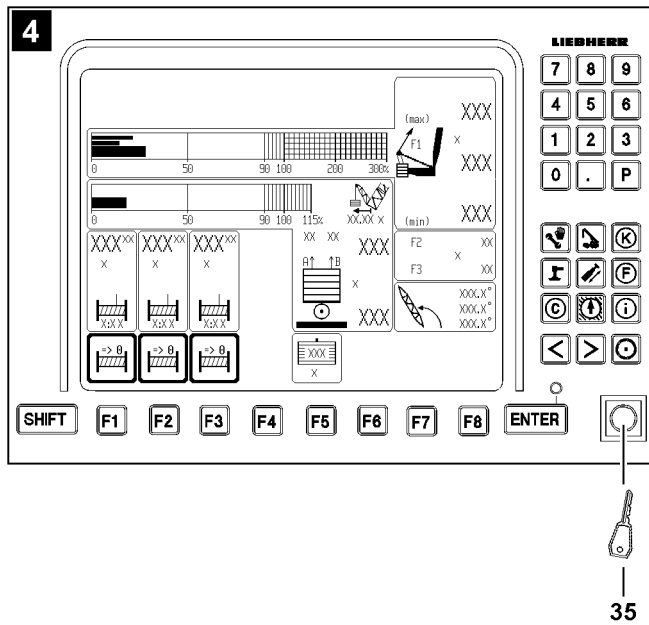
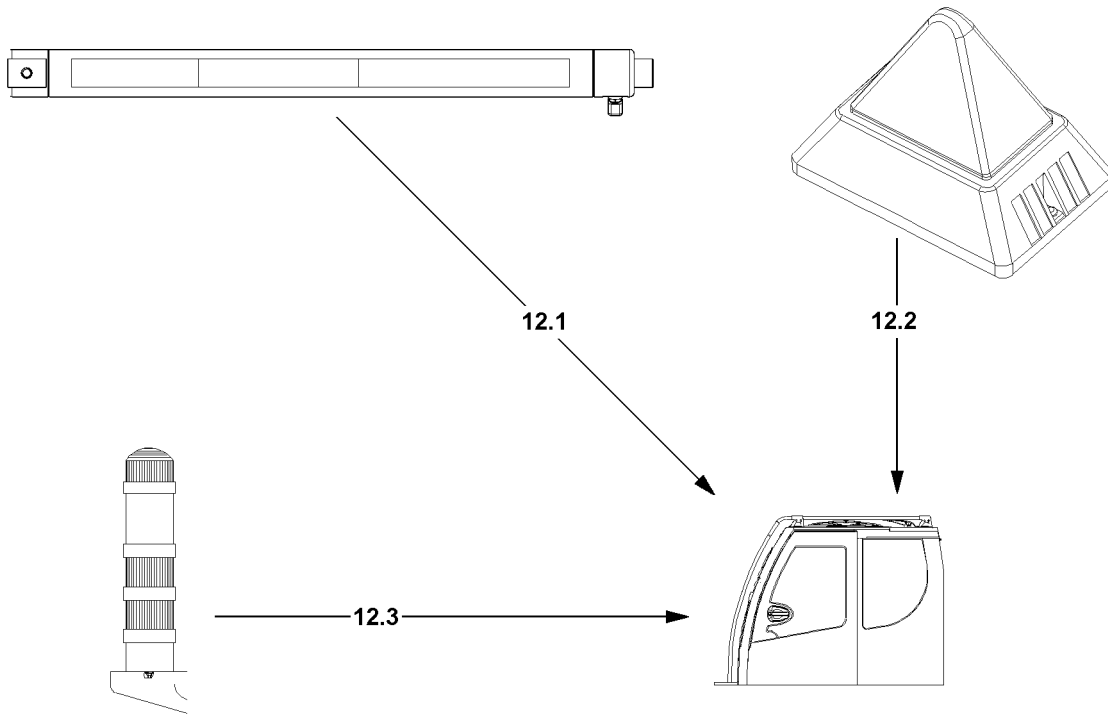


Fig.111206

**Note**

► Description of individual case numbers, see chart „Overview of case numbers“!

Flashing beacon 12.2			
Case number	At utilization of crane	Acoustic warning	Visual warning
		Signal turntable	Red
Case 001	0 % up to 89 %	-	-
Case 002	90 % up to 100 %	-	-
Case 003	Above 100 %	X ¹	O ²
Case 004	-		O ²
Case 005	Above 100 %	X ¹	O ²
Case 006	-		O ²
Case 010	Above 110 %	X ¹	O ²
Case 011	Above 110 %	X ¹	O ²
Case 016	Above 110 %	X ¹	O ²
Case 018	No value available		O ²
Case 020	No value available		O ²

O = cannot be turned off

O² = flashing beacon **12.2** blinks

X¹ = can be turned off by actuating (right touching) the key button **35** on the LICCON monitor with the derrick operating screen (illustration **4**), effective after at least 5 seconds

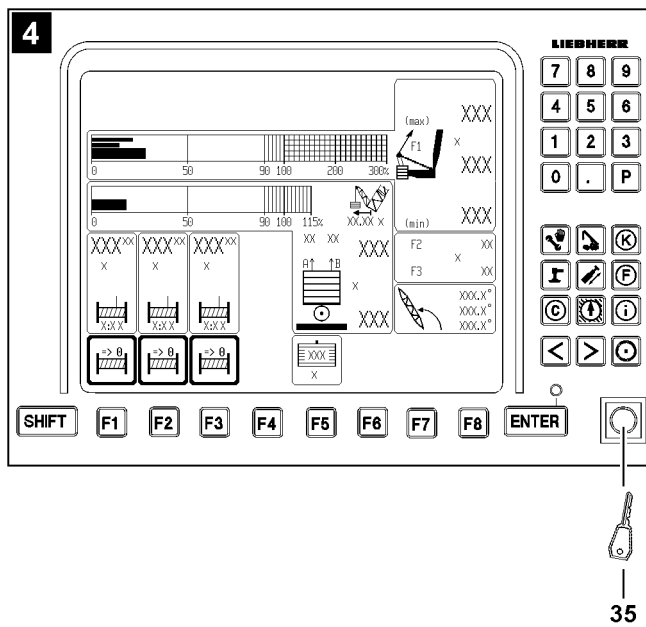
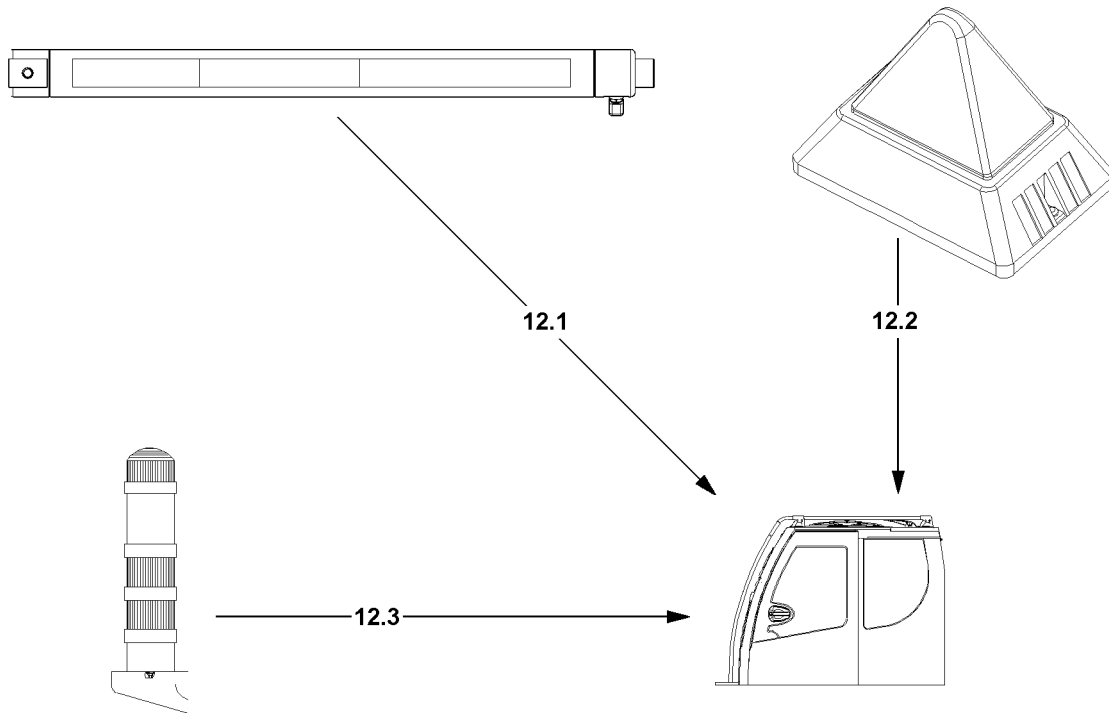


Fig.111206

**Note**

► Description of individual case numbers, see chart „Overview of case numbers“!

Warning light 12.3					
Case number	At utilization of crane	Acoustic warning	Visual warning		
		Signal turntable	Green	Yellow	Red
Case 001	From 0 % to 89 %		O ¹		
Case 002	From 90 % to 100 %			O ¹	
Case 003	Above 100 %	X ¹			O ²
Case 004	-				O ²
Case 005	From 0 % to 89 %		O ¹		
Case 005	From 90 % to 100 %			O ¹	
Case 005	Above 100 %	X ¹			O ²
Case 006	-				O ²
Case 010	From 0 % to 89 %		O ¹		
Case 010	From 90 % to 110 %			O ¹	
Case 010	Above 110 %	X ¹			O ²
Case 011	Up to 110 %			O ¹	
Case 011	Above 110 %	X ¹			O ²
Case 016	From 0 % to 89 %		O ¹		
Case 016	From 90 % to 110 %			O ¹	
Case 016	Above 110 %	X ¹			O ²
Case 018	No value available				O ²
Case 020	No value available				O ²

O = cannot be turned off

O¹ = warning light **12.3** lights up

O² = warning light **12.3** blinks

X¹ = can be turned off by actuating (right touching) the key button **35** on the LICCON monitor with the derrick operating screen (illustration **4**), effective after at least 5 seconds

2.3 Monitoring of crane movement

**Note**

- If the LICCON overload protection turns the crane movement off, then the exact cause for the shut off must be determined first.
- As a first step, try to rescind the crane movement which has caused a shut off.
- If it is not possible to rescind the affected crane movement, then the additional steps are described in the following sections of the chapter.

**Note**

- For detailed description of the individually listed icons, see Crane operating instructions, chapter 4.02.

The LICCON overload protection carries out the following shut offs if a limit value is exceeded in crane operation:

- Shut off luffing the main boom up / down
- Shut off luffing the auxiliary boom / accessory up / down
- Shut off maximum / minimum value test point 1 (force F1)
- Shut off spooling the winch up / out
- Shut off hoist top
- Shut off due to error message

The LICCON overload protection warns if the limit values are exceeded, but does not turn off:

- Minimum / maximum support forces

2.3.1 Shut off luffing the main boom up / down



Note

- ▶ In crane operation with derrick boom, it is also shown in the icon!

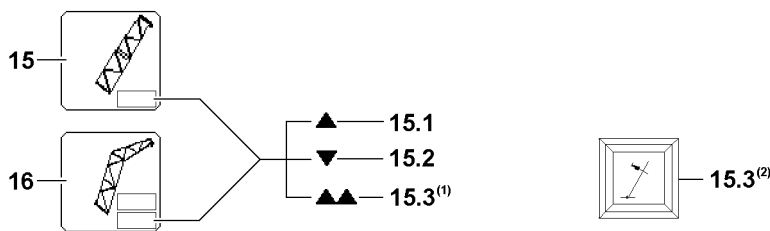


Fig.112329

⁽¹⁾not LR 1400/2

⁽²⁾only LR 1400/2

In icon **15** or icon **16** (lower field) arrow **15.1** or arrow **15.2** appear and the LICCON overload protection has shut off the crane movement.

„Luffing the main boom up“ (arrow **15.1**) or „Luffing the main boom down“ (arrow **15.2**) was shut off because the upper / lower limit angle of the selected load chart was exceeded / fallen below.

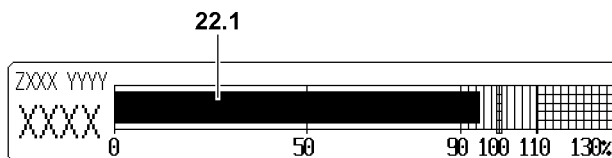


Fig.112340



Note

- ▶ If the utilization of the crane is more than 95 % (utilization bar **22.1** exceeds 95 %) and the maximum load according to the load chart (falling load capacity) drops by continuing to luff up the boom, then the arrow **15.1** also appears and the crane movement „Luffing the main boom up“ is turned off.

If the double arrow / warning light **15.3** appears, then:

- **either** it was luffed up to a limit switch or the limit switch has turned off the crane movement „Luffing the main boom up“
- **or** there is an error on one of the limit switches „Main boom top“

The arrow **15.1** appears and the crane movement „Luffing the main boom up“ was turned off:

- ▶ Luff the main boom down.

Result:

- Crane operation is possible again.

The arrow **15.2** appears and the crane movement „Luffing the main boom down“ was turned off:

- ▶ Luff the main boom up.

Result:

- Crane operation is possible again.

The double arrow / warning light **15.3** appears and the crane movement „Luffing the main boom up“ was turned off:

- ▶ Luff the main boom down.

Result:

- Crane operation is possible again.

Problem remedy

The double arrow / warning light **15.3** appears continuously?

If a double arrow / warning light **15.3** appears without having luffed the main boom up to a limit switch, then there may be an error in the limit switches „Main boom top“.

- ▶ Check if there is an error message from the LICCON computer system, see Diagnostics manual.
- ▶ If yes: Remedy the error immediately.



WARNING

Limited warning functions!

If one of the double version limit switches is not ok and the crane is continued to be operated, then the warning functions of the LICCON overload protection are limited!

- ▶ The crane can only be operated in an emergency after failure of a double version limit switch!
- ▶ Carry out crane movements in such a way that no repeated shut off by the LICCON overload protection occurs.

2.3.2 Shut off luffing the auxiliary boom / accessory up / down



Note

- ▶ In crane operation with derrick boom, it is also shown in the icon!

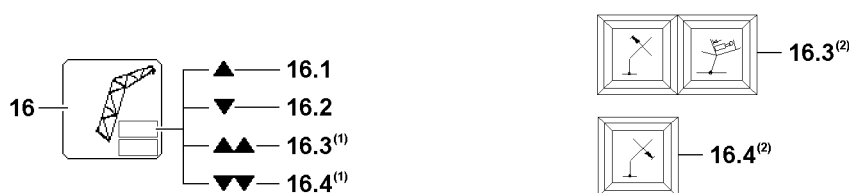


Fig. 112330

⁽¹⁾not LR 1400/2

⁽²⁾only LR 1400/2

In the icon **16** (upper field) the arrow **16.1** or arrow **16.2** appear and the LICCON overload protection has shut off the crane movement.

„Luffing the auxiliary boom / accessory up“ (arrow **16.1**) or „Luffing the auxiliary boom / accessory down“ (arrow **16.2**) was shut off because the upper / lower limit angle of the selected load chart was exceeded / fallen below.

If the double arrow / warning light **16.3** appears, then:

- **either** it was luffed up to a limit switch or the limit switch has turned off the crane movement „Luffing the auxiliary boom / accessory up“
- **or** the mechanical relapse support has turned off the crane movement „Luffing the auxiliary boom / accessory up“
- **or** there is an error on one of the limit switches „Auxiliary boom / accessory top“.

If the double arrow / warning light **16.4** appears, then:

- **either** it was luffed down to a limit switch „Auxiliary boom / accessory bottom“ and the limit switch has turned off the crane movement „Luffing the auxiliary boom / accessory up“
- **or** there is an error on one of the limit switches „Auxiliary boom / accessory bottom“

The arrow **16.1** appears and the crane movement „Luffing the auxiliary boom / accessory up“ was turned off:

- ▶ Luff the auxiliary boom / accessory down.

Result:

- Crane operation is possible again.

The arrow **16.2** appears and the crane movement „Luffing the auxiliary boom / accessory down“ was turned off:

- ▶ Luff the auxiliary boom / accessory up.

Result:

- Crane operation is possible again.

The double arrow / warning light **16.3** appears and the crane movement „Luffing the auxiliary boom / accessory up“ was turned off:

- ▶ Luff the auxiliary boom / accessory down.

Result:

- Crane operation is possible again.

Problem remedy

The double arrow / warning light **16.3** appears continuously?

If a double arrow / warning light **16.3** appears without having luffed up to a limit switch, then there may be an error in the limit switches „Auxiliary boom / accessory top“.

- ▶ Check if there is an error message from the LICCON computer system, see Diagnostics manual.
- ▶ If yes: Remedy the error immediately.

The double arrow / warning light **16.4** appears and the crane movement „Luffing the auxiliary boom / accessory down“ was turned off:

- ▶ Luff the auxiliary boom / accessory up.

Result:

- Crane operation is possible again.

Problem remedy

The double arrow / warning light **16.4** appears continuously?

If a double arrow / warning light **16.4** appears without having luffed down to a limit switch, then there may be an error in the limit switches „Auxiliary boom / accessory bottom“.

- ▶ Check if there is an error message from the LICCON computer system, see Diagnostics manual.
- ▶ If yes: Remedy the error immediately.



WARNING

Limited warning functions!

If one of the double version limit switches is not ok and the crane is continued to be operated, then the warning functions of the LICCON overload protection are limited!

- ▶ The crane can only be operated in an emergency after failure of a double version limit switch!
- ▶ Carry out crane movements in such a way that no repeated shut off by the LICCON overload protection occurs.

2.3.3 Shut off maximum / minimum value test point 1 (force F1)



Note

- ▶ The force determined on test point 1 is generally described as $F1_{\text{actual}}$ (actual value F1).
- ▶ In the icon 17 (F1-load display), the force relationship as well as the number values are shown in number values as well as a bar display (called F1-bar display).
- ▶ The value $F1_{\text{max-operation}}$ 17.3 corresponds to 100 % in the F1-bar display.
- ▶ The F1-utilization bar 17.1 shows the relationship $F1_{\text{actual}}$ 17.2 to $F1_{\text{max-operation}}$ 17.3.
- ▶ In crane operation without derrick ballast, fewer values may be shown in the icon 17 (F1-load display).

Shut off maximum value F1 in crane operation

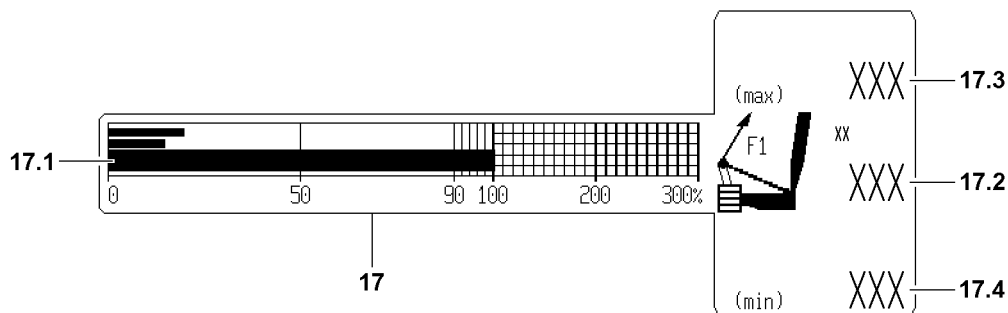


Fig. 110991

In the icon 17 (F1-load display) the F1-utilization bar 17.1 exceeds the 100 % mark and the LICCON overload protection has shut off the crane movement. The value $F1_{\text{actual}}$ 17.2 has exceeded the value $F1_{\text{max-operation}}$ 17.3.

All further movements, which lead to an increase of the force F1 (value $F1_{\text{actual}}$) are shut off.

- ▶ Reverse any crane movement which has caused the shut off.
or
Initiate an alternative crane movement, which lowers the force F1 (value $F1_{\text{actual}}$).

Result:

- Crane operation is possible again.

Problem remedy

The crane operation is limited because the value $F1_{\text{max-operation}}$ apparently is being reached too early?

- ▶ Make sure that a valid configuration status has been entered on the LICCON computer system!
- ▶ Make sure that the crane is assembled according to the assembly drawings!
- ▶ Make sure that the actual configuration status and the entered configuration status of the crane match.
- ▶ Make sure that all attachment parts and guy rods on the boom system, which are not needed, have been removed (weight)!
- ▶ Make sure that the boom system is free of snow and ice (weight)!
- ▶ Make sure that the wind influence onto the boom is not too great!

If no irregularities can be found:

- ▶ Contact LIEBHERR Service.

Shut off maximum value F1 in crane operation



Note

- ▶ A shut off minimum value F1 ($F1_{\text{min}}$) only occurs in operating modes with derrick ballast. The status $F1_{\text{actual}} = F1_{\text{min}}$ cannot be reached in all other operating modes.

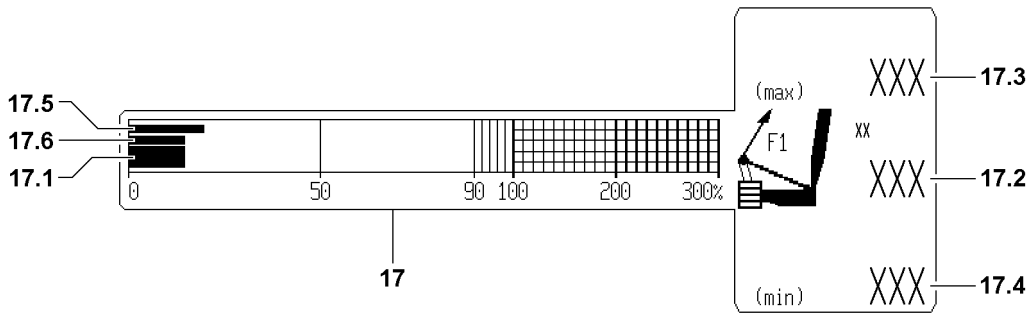


Fig.110992

In the icon **17** (F1-load display), when falling below the $F1_{\min}$ advance warning bar **17.5**, a warning of the upcoming shut off is issued by the F1-utilization bar **17.1**.

If the F1-utilization bar **17.1** falls below the $F1_{\min}$ -STOP bar **17.6**, then the LICCON overload protection shuts off the crane movement. The value $F1_{\text{actual}}$ **17.2** has fallen below the value $F1_{\min}$ **17.4**.

**Note**

Shut off $F1_{\min}$

- ▶ If the utilization of the derrick ballast is below 50 %, then there is no immediate shut off when falling below value $F1_{\min}$!

All further movements, which lead to an decrease of the force $F1$ (value $F1_{\text{actual}}$) are shut off.

- ▶ Reverse any crane movement which has caused the shut off.
or
Initiate an alternative crane movement, which increases the force $F1$ (value $F1_{\text{actual}}$).

Result:

- Crane operation is possible again.

Problem remedy

The crane operation is limited because the value $F1_{\min}$ apparently is being reached too early?

- ▶ Make sure that a valid configuration status has been entered on the LICCON computer system!
- ▶ Make sure that the crane is assembled according to the assembly drawings!
- ▶ Make sure that the actual configuration status and the entered configuration status of the crane match.
- ▶ Make sure that all attachment parts and guy rods on the boom system, which are not needed, have been removed (weight)!
- ▶ Make sure that the boom system is free of snow and ice (weight)!
- ▶ Make sure that the wind influence onto the boom is not too great!

If no irregularities can be found:

- ▶ Contact LIEBHERR Service.

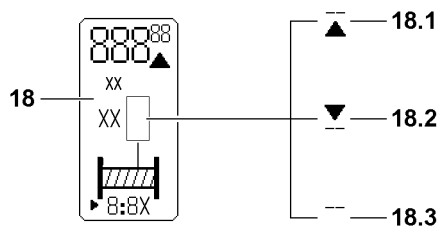
2.3.4 Shut off spooling the winch up / out

Fig.110878

In the icon **18**, the line / arrow **18.1**, arrow / line **18.2** or line / line **18.3** appears and the LICCON overload protection has shut off the crane movement.

„Spooling the winch out“ (line / arrow **18.1**) or „Spooling the winch up“ (arrow / line **18.2**) was shut off because the upper / lower limit angle of the rope for the selected winch was exceeded or fallen below.

If line / line **18.3** appears blinking in the icon **18**, then the affected winch is deactivated.

The line / arrow **18.1** appears and the crane movement „Spooling the winch out“ was turned off:

- ▶ Spool the winch up.

Result:

- Crane operation is possible again.

The arrow / line **18.2** appears and the crane movement „Spooling the winch up“ was turned off:

- ▶ Spool the winch out.

Result:

- Crane operation is possible again.

The line / line **18.3** appear and the winch is deactivated:

- ▶ Activate the winch, see Crane operating instructions, chapter 4.02.

Result:

- Crane operation is possible again.

2.3.5 Shut off hoist top

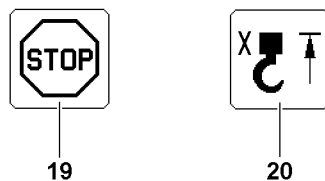


Fig.110875

The icon **19** and hoist top icon **20** appear in the LICCON monitor and the LICCON overload protection has turned off crane movement.

Spooling the hoist winch up was turned off because the hook block or the load hook has run against a hoist limit weight during the upward movement and the affected hoist limit switch was triggered.



WARNING

Property damage / falling load!

- ▶ After shut off spool hoist winch up (hoist top), for every further crane movement, the distance between the hook block / load hook and the boom head must be checked!



Note

- ▶ After a hoist top shut off occurred, further crane movements, which affect the length of the hoist rope are also shut off!

- ▶ Spool the hoist winch out.

Result:

- Crane operation is possible again.

2.3.6 Shut off due to error message

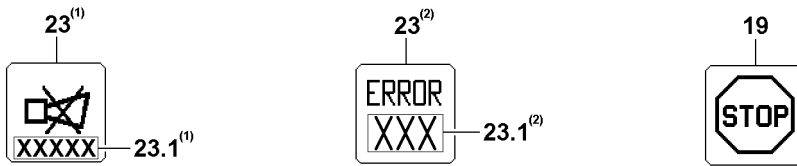


Fig.112331

⁽¹⁾not LR 1400/2

⁽²⁾only LR 1400/2

In the icon **23** appears an error message, the icon **19** appears in the LICCON monitor and the LICCON overload protection has turned off crane movement.

- ▶ Determine the existing error with the help of the error message from the error field **23.1** in icon **23**, see Diagnostics manual.
- ▶ Remedy the error.

If the error cannot be remedied:

- ▶ Contact LIEBHERR Service.

Problem remedy

The erection of the crane, for example after assembly on a new job site or with another equipment configuration, is not possible due to an error message?

- ▶ Evaluate the error message.
- ▶ Make sure that all electrical connections are established correctly.
- ▶ Check if all sensors or dummy plugs with integrated electric have been connected properly.



Note

- ▶ If there is a defect on a participating sensor (LMB), then the crane can no longer be operated in normal operating condition. Contact Liebherr Service and fix / replace the sensors.

2.3.7 Minimum / maximum support forces



Note

- ▶ Applies only for cranes with support force monitoring*.
- ▶ Description of support force monitoring, see Crane operating instructions, chapter 4.02.

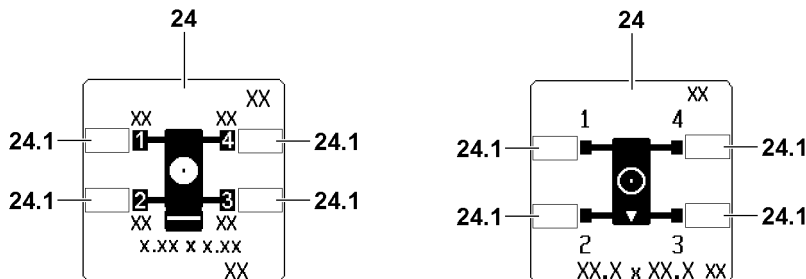


Fig.110881

**WARNING**

The crane can topple over!

When reaching the programmed minimum / maximum support forces there is no automatic shut off of crane movements!

The displayed support force values are subjected to fluctuating influences, for example crane operation, surrounding and environmental influences!

The resulting tolerance field of the determined values may not be utilized by the support force display to determine the tipping limit of the crane!

If this is disregarded, then the crane can topple over!

Personnel can be severely injured or killed!

- ▶ The displayed support force values of the support force display may not be used to utilize the crane up to the tipping limit!
- ▶ Make sure that all support force values are within the minimum / maximum support forces!

The icon **24** (depending on the crane, similar to the left or right illustration) is shown in the LICCON monitor with blinking value in one or several fields **24.1**. Blinking values in the fields **24.1** signal exceedance of the minimum / maximum support forces.

- ▶ Reverse the crane movements, which caused the support forces to be outside the minimum / maximum values.

Result:

- All values in the fields **24.1** are within the minimum / maximum support forces.
- ▶ Carry out crane movements in such a way that the support forces always remain within the minimum / maximum values.

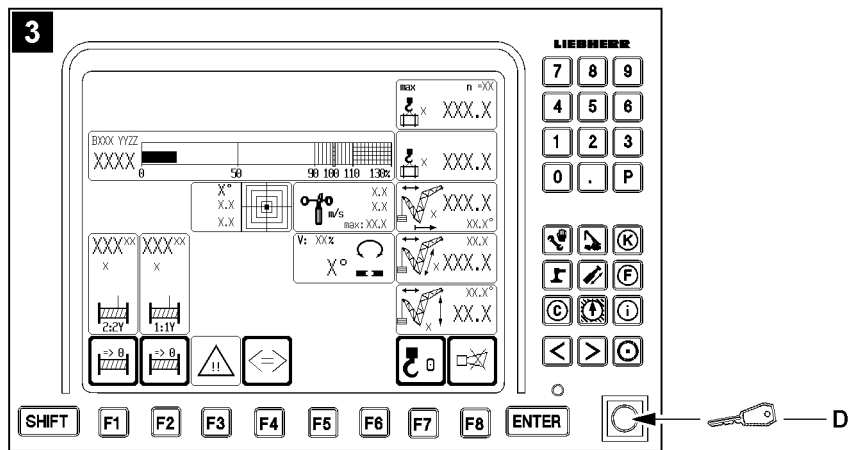
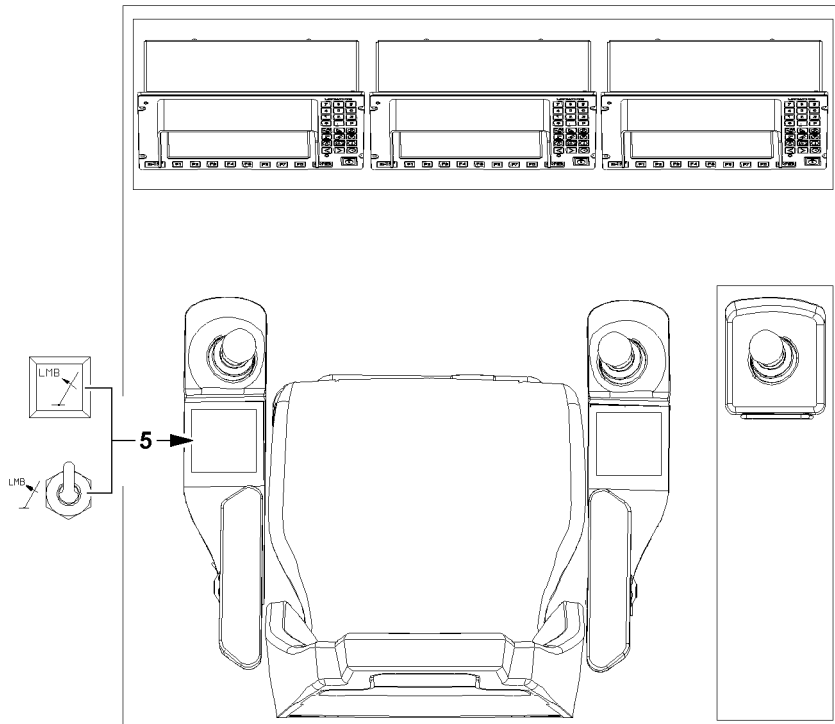


Fig.112334

2.4 Shut off of crane movement: LMB STOP by LICCON overload protection



WARNING

Risk of overload and toppling the crane!

If the shut off limits of the LICCON overload protection are exceeded without knowing the exact cause for the shut off by the LICCON overload protection, then the crane can be overloaded and topple over! Personnel can be severely injured or killed!

- ▶ Before activating the function „Exceedance of shut off limits of the LICCON overload protection“ determine the exact cause for the shut off!



WARNING

Danger of accident due to function „Exceedance of shut off limits of the LICCON overload protection“! If the shut off limits of the LICCON overload protection are exceeded, there is no additional protection against crane overload!

Due to erroneous operation or deliberate misuse, the crane could collapse, the boom can break off or the crane can topple over!

Personnel can be severely injured or killed!

- ▶ The button **5** „Luffing in with suspended load“ and the set up key **D** may only be actuated when it is ensured that no normal operating condition (utilization below 100 % and no active shut off) can be reached without the function „Exceedance of shut off limits of the LICCON overload protection“!
- ▶ Actuate the set up key **D** only when no normal operating condition (utilization below 100 % and no active shut off) can be reached with the button **5** „Luffing in with suspended load“!
- ▶ The function „Exceedance of shut off limits of the LICCON overload protection“ is only permissible in emergencies and for assembly purposes!
- ▶ The set up key **D** may only be actuated by persons who are aware of the effects of their acts regarding the function „Exceedance of shut off limits of the LICCON overload protection“!
- ▶ The function „Exceedance of shut off limits of the LICCON overload protection“ requires the presence of an authorized person and must be performed with utmost caution!
- ▶ Crane operation with activated function „Exceedance of shut off limits of the LICCON overload protection“ is prohibited!



WARNING

Expanded working / danger zone of the crane!

Due to the function „Exceedance of shut off limits of the LICCON overload protection“ it is possible that the working / danger zone of the crane is significantly expanded!

If these circumstances are not observed, collisions and accidents can occur!

Personnel can be severely injured or killed!

- ▶ With activated function „Exceedance of shut off limits of the LICCON overload protection“ take an expanded working / danger zone of the crane into account and monitor it!

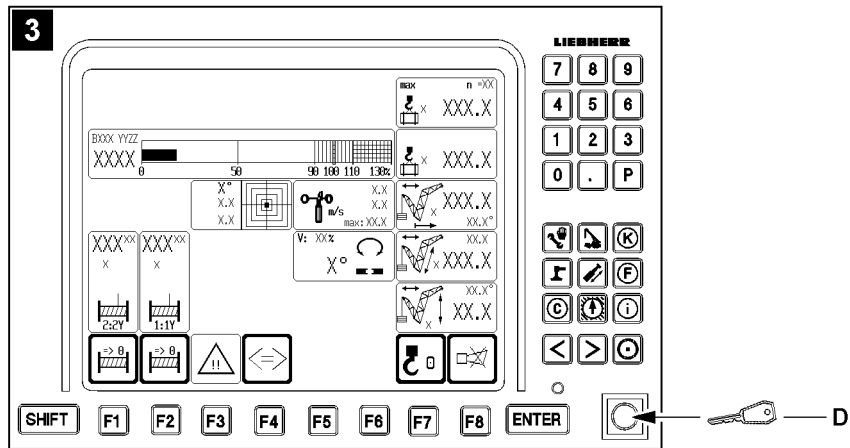
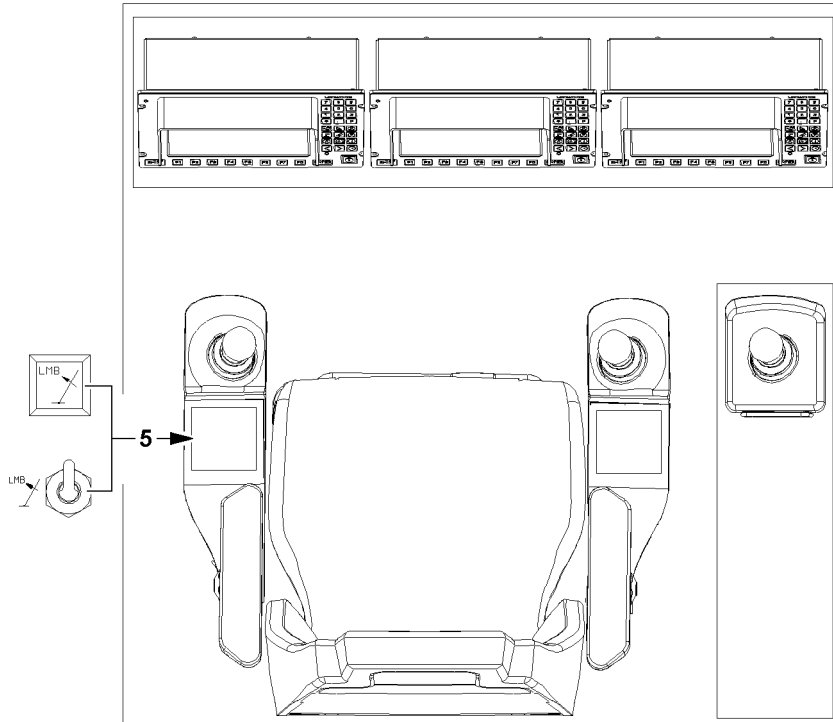


Fig.112334

LWE/LR 11350-005/19004-04-02/en

**WARNING**

Overload of crane!

When taking on a load by luffing the boom up, the crane can be overloaded!

This could result in serious accidents!

- ▶ Taking on load by luffing up the boom is prohibited!
- ▶ Take on a load only with the hoist gear!

**Note**

- ▶ If the set up key **D** is actuated in the area „Load chart available“, then the working speed is reduced!
- ▶ If the set up key **D** is actuated in the area „No load chart available“, then the working speed is not reduced!

There are two possibilities to exceed the shut off limits of the LICCON overload protection after LMB STOP:

- With button **5** „Luffing in with suspended load“ in the left control console
- With the set up key **D** on the LICCON monitor with crane operating screen, see illustration **3**

NOTICE

Danger of mix up!

The function „Exceedance of shut off limits of LICCON overload protection“ can only be activated with the set up key **D** on the LICCON monitor with crane operating screen, see illustration **3**!

The key buttons on the other monitors are not assigned with this function!

- ▶ Do not mix up the set up key **D** with the other key buttons!
- ▶ In case of mix up: Deactivate the activated function!

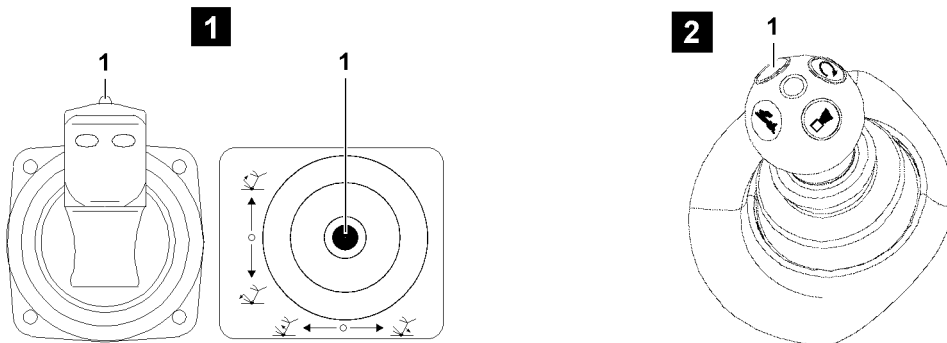
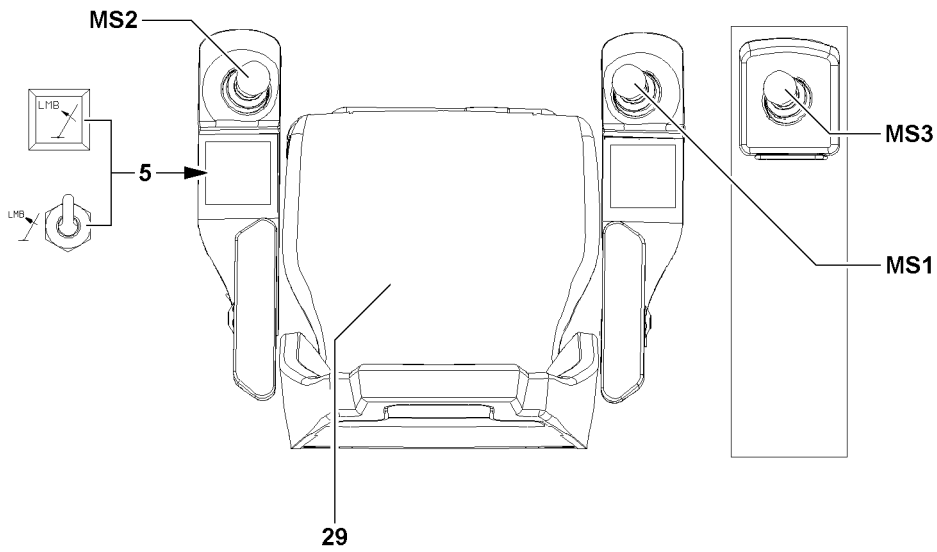
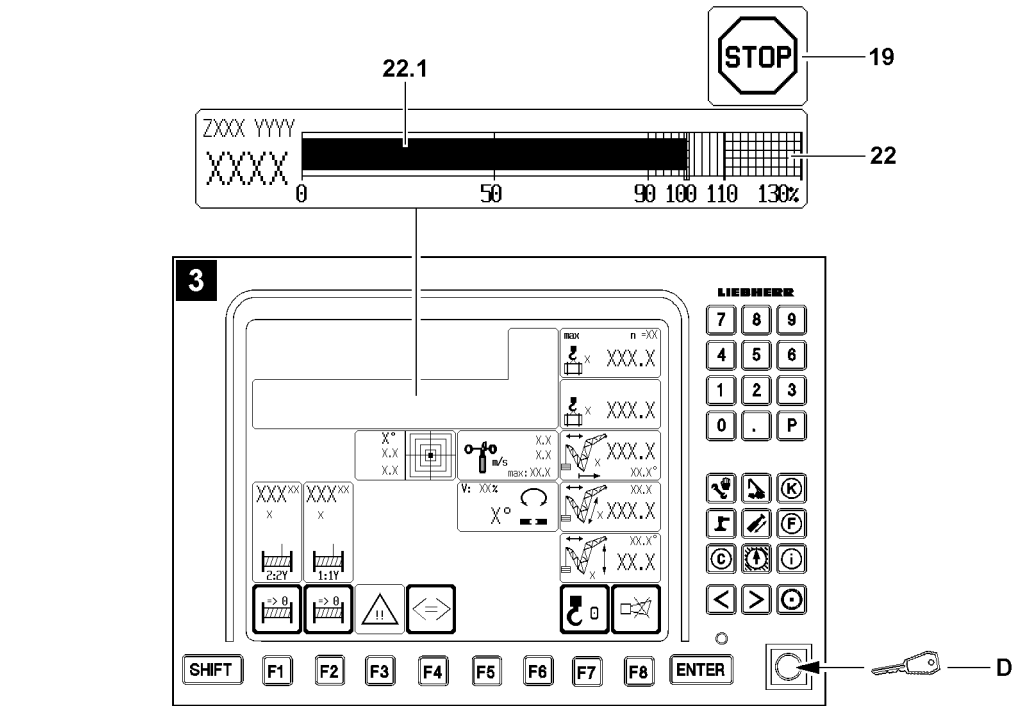


Fig.112335

2.4.1 Luffing in with suspended load

If the maximum permissible load moment is exceeded, the LICCON overload protection turns off all crane movements that increase the load moment.

In the icon **22** (load moment display) the utilization bar **22.1** has exceeded the 100 % mark and in the LICCON monitor appears the icon **19**.

This shut off limit can be exceeded by actuating the button **5** „Luffing in with suspended load“.

Make sure that the following prerequisite is met:

- Either the seat contact button **29** or one of the buttons **1** of the master switches (MS1, MS2, MS3) is actuated.



Note

- ▶ If the load is reduced by luffing up, then the button **5** „Luffing in with suspended load“ is possibly not functioning.
- ▶ For the procedure when the button **5** „Luffing in with suspended load“ is not functioning, see section „Exceedance of maximum permissible load moment“.

-
- ▶ Press the function key **5** „Luffing in with suspended load“ and hold it.

Result:

- The LICCON overload protection is inactive.

- ▶ Luff the load in.

Result:

- If the crane reaches a normal operation status (utilization below 100 % and no active shut off) then the icon **19** turns off, normal crane operation is possible again.

The function „Luffing in with suspended load“ is deactivated:

- When the function key **5** „Luffing in with suspended load“ is not longer actuated.
- When neither the seat contact button **29** nor one of the buttons **1** of the master switches (MS1, MS2, MS3) is actuated.
- In case of defect of an associated sensor (LMB).
- At engine stop.

The function „Luffing in with suspended load“ is deactivated:

- The LICCON overload protection is active.
- ▶ Carry out crane movements in such a way that no repeated shut off by the LICCON overload protection occurs.

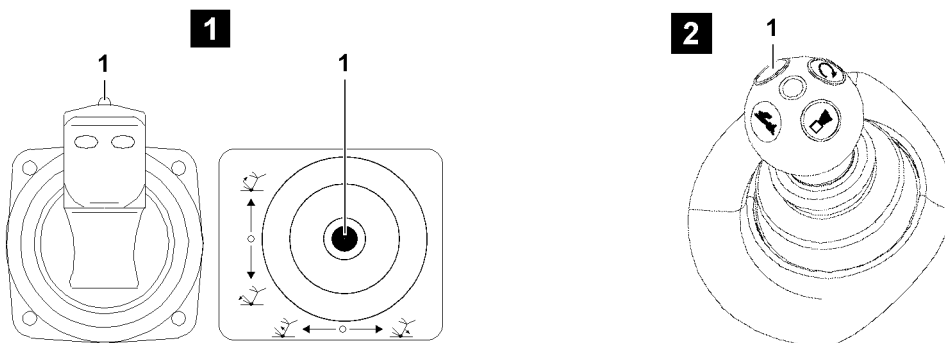
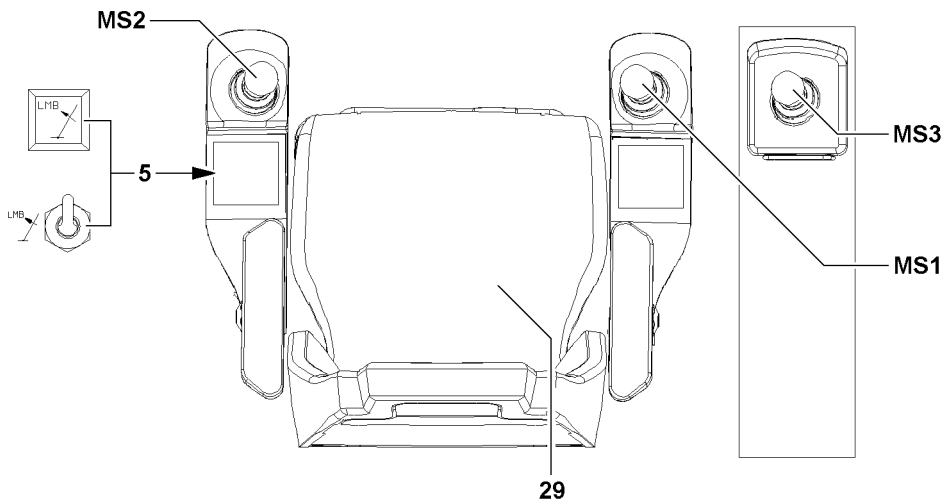
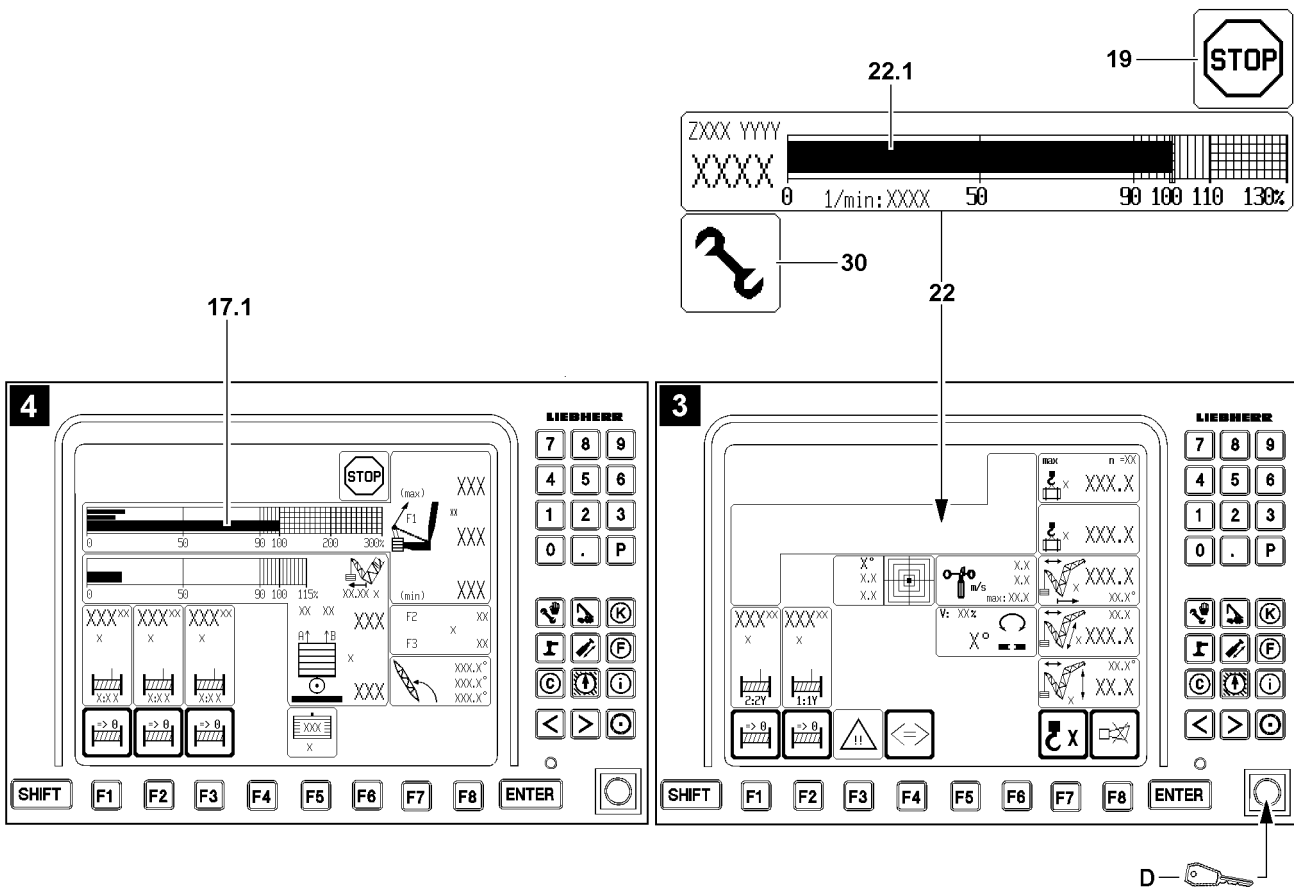


Fig.112336

2.4.2 Exceedance of the maximum permissible load moment

If the maximum permissible load moment is exceeded, the LICCON overload protection turns off all crane movements that increase the load moment.

In the icon **22** (load moment display) the utilization bar **22.1** has exceeded the 100 % mark and in the LICCON monitor appears the icon **19**.

This shut off can be exceeded by the configuration button **D** in the „right touching“ position.



WARNING

Shut off safety device!

If the function „Exceedance of shut off limits of LICCON overload protection“ is activated by actuating the set up key **D** then it is possible to exceed the maximum permissible load moment! The function „Exceedance of maximum value test point 1“ is automatically activated too. Thus there is no shut off when exceeding the maximum value test point 1!

- ▶ All notes regarding the function „Exceedance of shut off limits of LICCON overload protection“ must be observed!
- ▶ The utilization bar $F1_{\text{actual}}$ **17.1** of the F1 load display must be observed!



Note

- ▶ In emergency situations, the function „Exceedance of shut off limits of the LICCON overload protection“ can be activated with the set up key **D** and the maximum permissible load moment can be exceeded by 10 % to maximum 110 %.

The set up key **D** on the LICCON monitor has two positions:

- Operating position (not pressed): Crane is in normal operation.
- Position to right (touching): The function „Exceedance of shut off limits of the LICCON overload protection“ is activated, the assembly icon **30** appears in the LICCON monitor.

Make sure that the following prerequisites are met:

- With the button **5** „Luffing in with suspended load“ no normal operating condition (utilization below 100 % and no active shut off) can be reached.
- All master switches (MS1, MS2, MS3) are in zero position (not deflected).
- Either the seat contact button **29** or one of the buttons **1** of the master switches (MS1, MS2, MS3) is actuated.
- Radio operation* is not active.
- The load moment display 110 % has not been reached and a load chart is available.
- ▶ Turn the set up key **D** to the right (touching).

Result:

- The LICCON overload protection is inactive.
- The assembly icon **30** appears in the LICCON monitor.
- The working speed in the area „Load chart available“ is reduced for all functions.

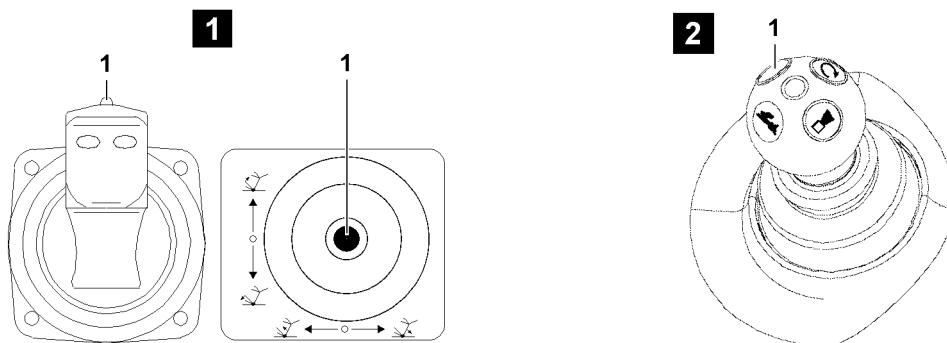
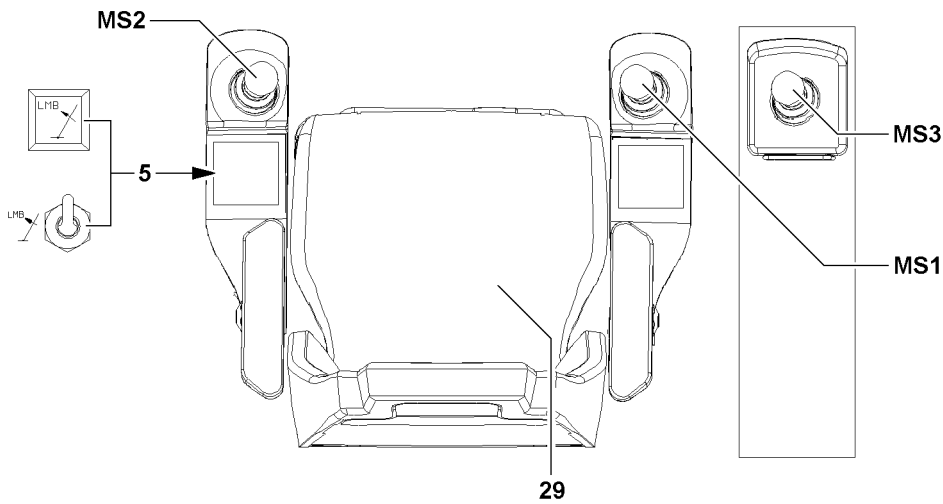
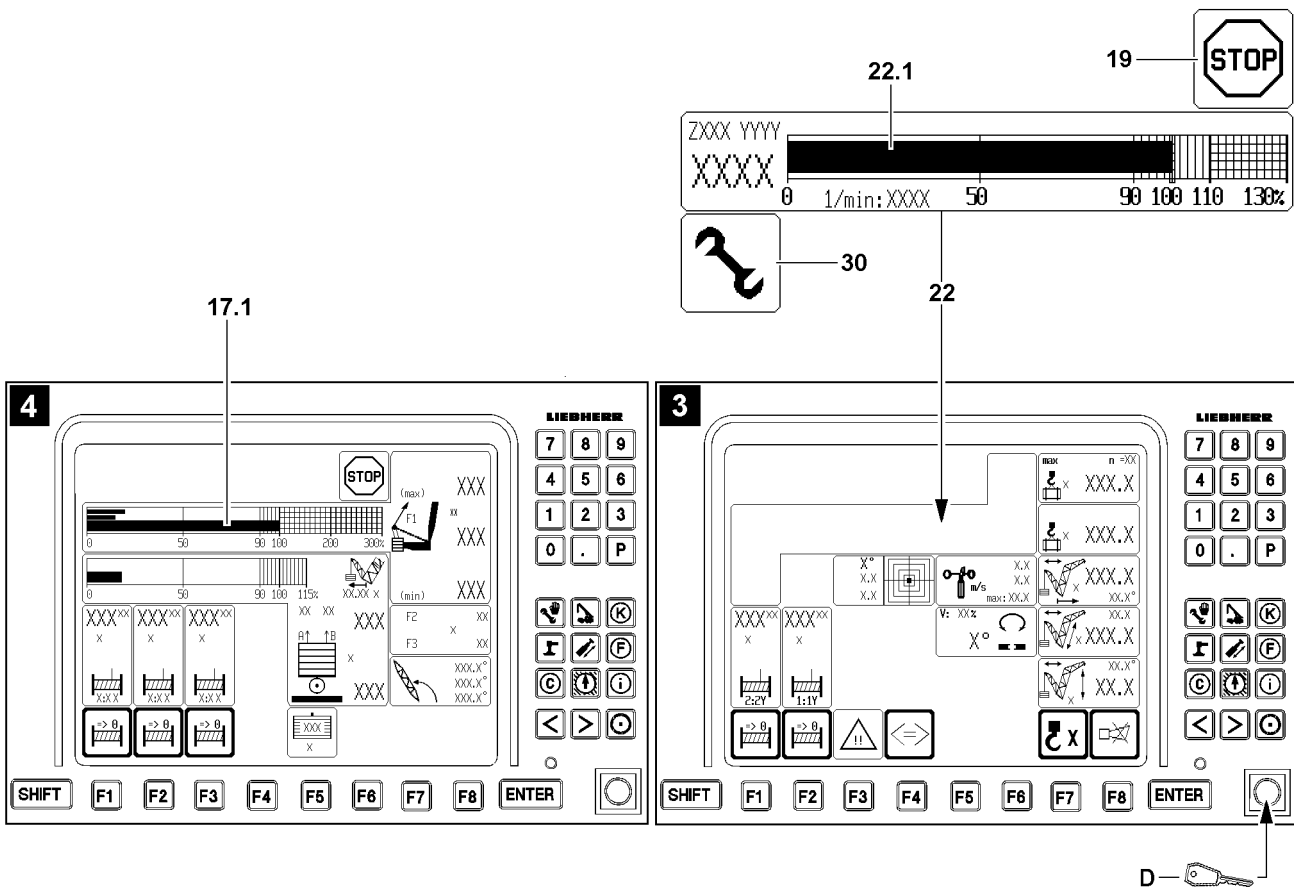


Fig.112336

- ▶ Initiate crane movements which directly lead to a normal operating status (utilization below 100 % and no active shut off).

Result:

- If a crane reaches a normal operation status (utilization below 100 % and no active shut off), then the function „Exceedance of shut off limits of the LICCON overload protection“ shuts off, the assembly icon **30** and icon **19** in the LICCON monitor turn off.

In addition, the function „Exceedance of shut off limits of LICCON overload protection“ turns off immediately:

- If the set up key **D** is actuated again.
- If all master switches (MS1, MS2, MS3) are in neutral position for 10 seconds (with load chart available).
- When neither the seat contact button **29** nor one of the buttons **1** of the master switches (MS1, MS2, MS3) is actuated.
- If radio operation* is activated.
- At engine stop.
- At hoist top shut off.
- When leaving the angle range of the load chart.
- When the utilization bar **22.1** (load moment display) exceeds a utilization of 110 %.

**Note**

- ▶ The function „Exceedance of shut off limits of the LICCON overload protection“ is only turned off when the assembly icon **30** in the LICCON monitor turns off.
- ▶ If the function „Exceedance of shut off limits of the LICCON overload protection“ does not turn off after pressing the set up key **D** once, then press the set up key **D** again until the assembly icon **30** in the LICCON monitor turns off.

The function „Exceedance of shut off limits of the LICCON overload protection“ has / was shut off:

- The assembly icon **30** in the LICCON monitor turns off.
- The working speed is reduced until all master switches (MS1, MS2, MS3) are in zero position at the same time.
- ▶ Make sure that the assembly icon **30** does no longer appear in the LICCON monitor.
- ▶ Carry out crane movements in such a way that no repeated shut off by the LICCON overload protection occurs.

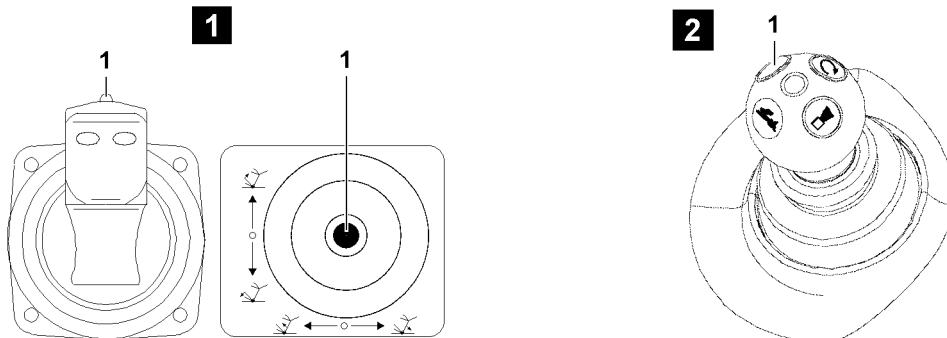
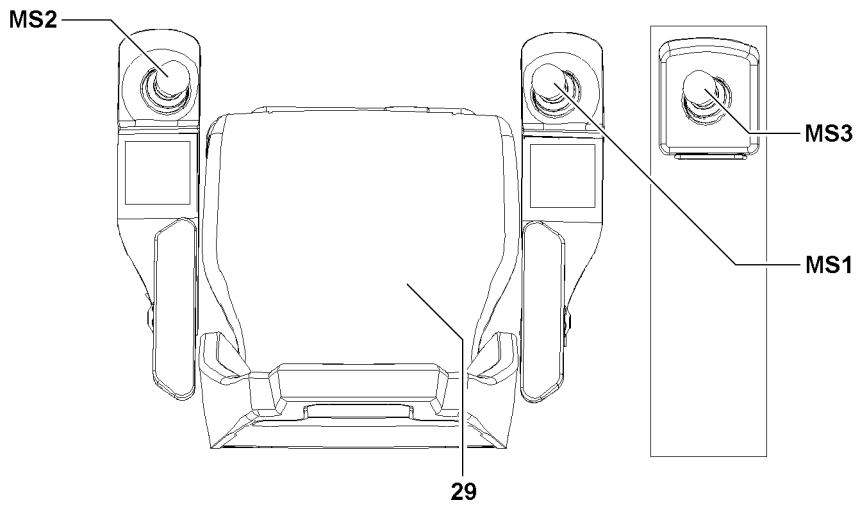
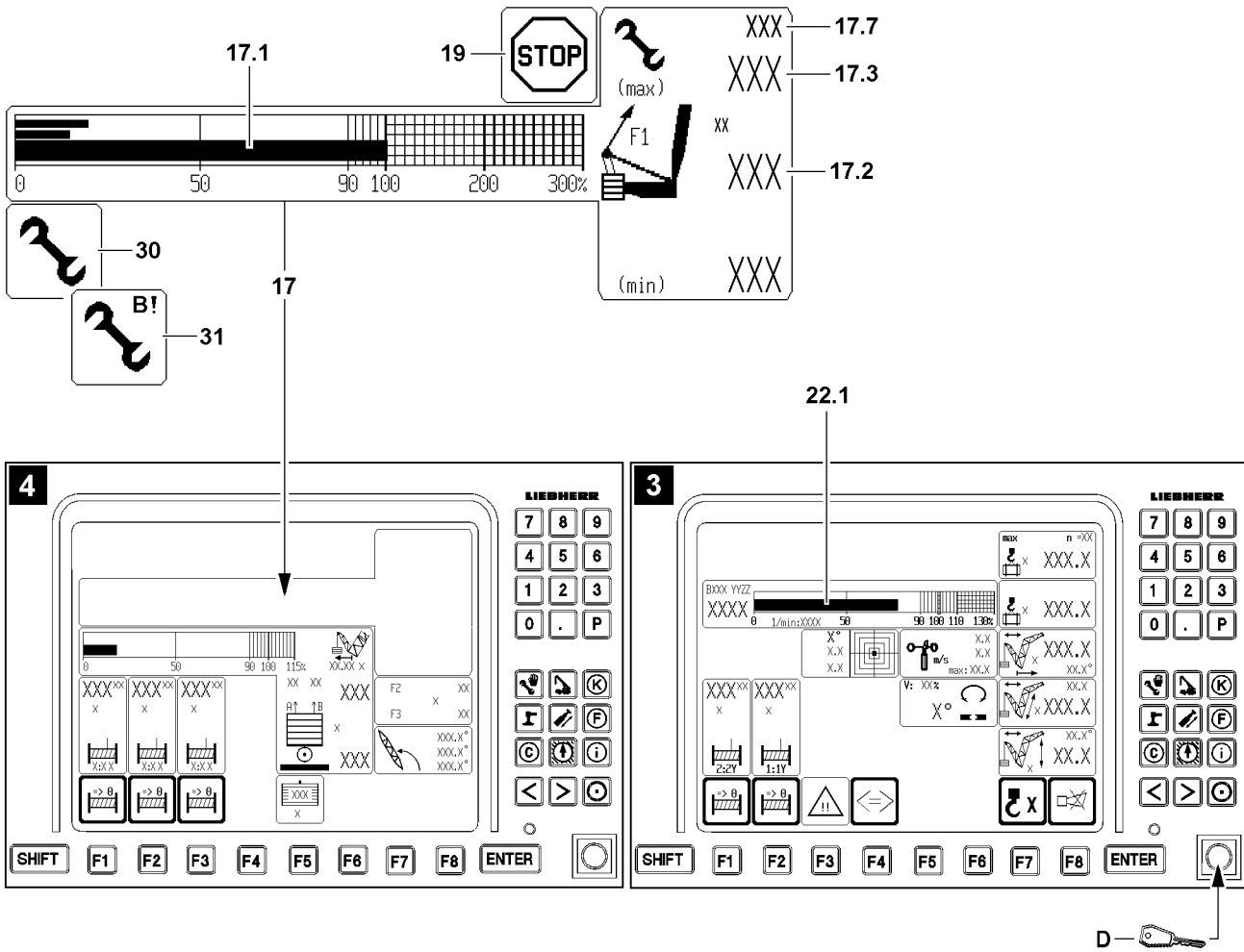


Fig.112337

2.4.3 Exceedance of maximum value test point 1 (force F1) in crane operation



WARNING

Leaving the load chart with load on hook!

If, by actuating the set up key **D**, the shut off is bypassed by value $F1_{\text{max-operation}}$ **17.3** and exceeded by more than 110 %, then the crane is in assembly operation, the assembly icon **31** appears in the LICCON monitor!

There is no load chart available any longer and various display values may not be shown any longer in the crane operating screen!

The load on the hook is no longer monitored by the load chart!

Severe accidents due to crane overload can result!

Personnel can be severely injured or killed!

▶ In assembly operation, the data in the erection / take down charts is binding!



WARNING

Shut off safety device!

If, by actuating the set up key **D**, the function „Exceedance of maximum value test point 1“ is activated, then the function „Exceedance of shut off limits of LICCON overload protection“ is also activated automatically. Thus there is no shut off if the maximum permissible load moment is exceeded!

▶ All notes regarding the function „Exceedance of shut off limits of LICCON overload protection“ must be observed!

▶ The utilization bar **22.1** of the load moment display must be observed!



Note

▶ The force determined on test point 1 is generally described as $F1_{\text{actual}}$ (actual value F1).

▶ In the icon **17** (F1-load display), the force relationship as well as the number values are shown in number values as well as a bar display (called F1-bar display).

▶ The value $F1_{\text{max-operation}}$ **17.3** corresponds to 100 % in the F1-bar display.

▶ The F1-utilization bar **17.1** shows the relationship $F1_{\text{actual}}$ **17.2** to $F1_{\text{max-operation}}$ **17.3**.

▶ In crane operation without derrick ballast, fewer values may be shown in the icon **17** (F1-load display).

▶ If the actual load is **larger** than the permissible hook block weight according to the erection / take down charts, then it can be exceeded up to maximum 110 % of $F1_{\text{max-operation}}$ **17.3**!

▶ If the actual load is **smaller** than the permissible hook block weight according to the erection / take down charts, then the assembly operation becomes active above 110 % of $F1_{\text{max-operation}}$ **17.3**. In assembly operation, there is no load chart available!

▶ The value $F1_{\text{max-assembly}}$ **17.7** appears in crane operation when 90 % of its nominal value is exceeded!

In the icon **17**(F1 load display) the utilization bar $F1_{\text{actual}}$ **17.1** exceeds the 100 % mark and the LICCON overload protection has shut off the crane movement. The value $F1_{\text{actual}}$ **17.2** has exceeded the value $F1_{\text{max-operation}}$ **17.3**.

All further movements, which lead to an increase of the force (value $F1_{\text{actual}}$) are shut off.

In the LICCON monitor with the derrick operating screen (illustration **4**) appears the icon **19**.

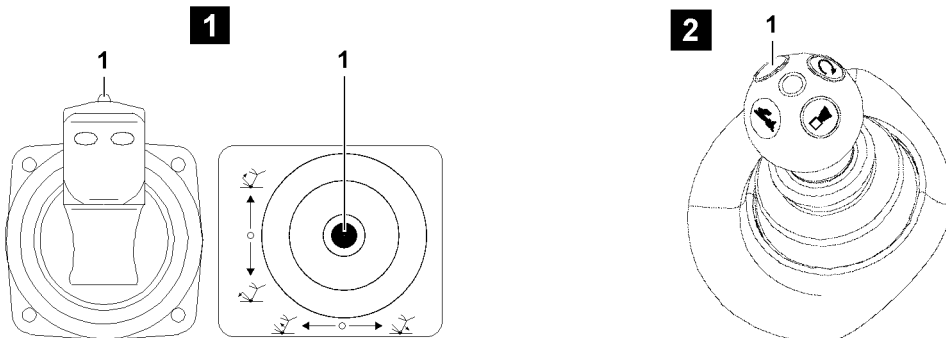
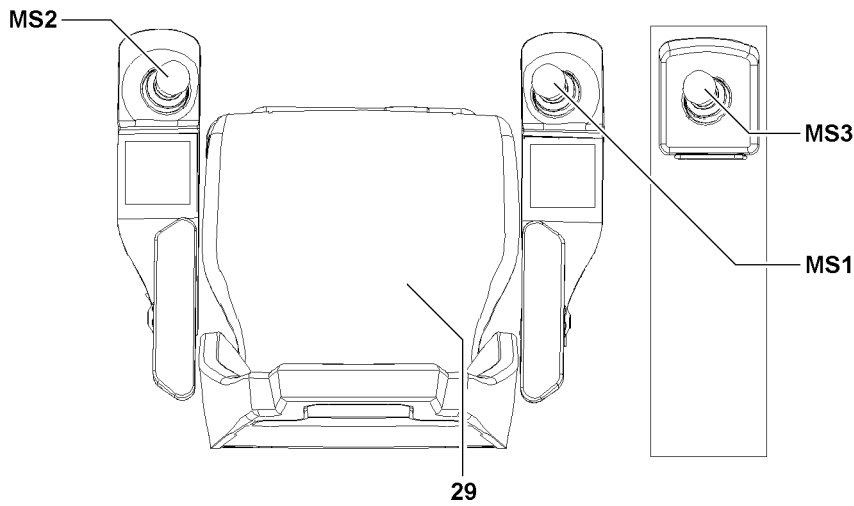
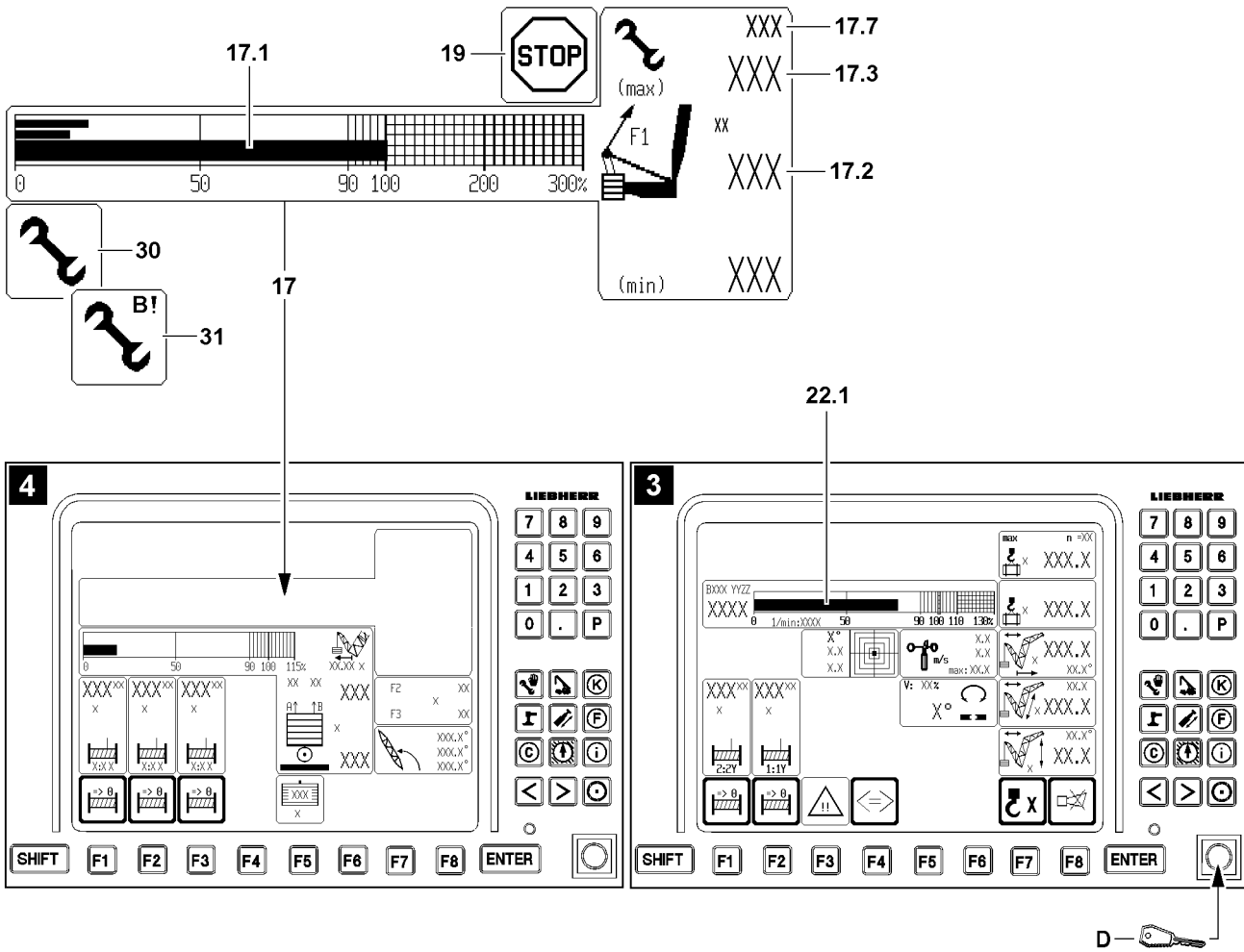


Fig.112337

LWE/LR 11350-005/19004-04-02/en

Make sure that the following prerequisites are met:

- All master switches (MS1, MS2, MS3) are in zero position (not deflected).
 - Either the seat contact button **29** or one of the buttons **1** of the master switches (MS1, MS2, MS3) is actuated.
 - Radio operation* is not active.
 - The F1 load display 110 % has not been reached and a load chart is available.
- ▶ Turn the set up key **D** to the right (touching).

Result:

- The function „Exceedance of maximum value test point 1“ is activated in connection with the function „Exceedance of the shut off limits of the LICCON overload protection“.
- $F1_{\text{max-operation}}$ **17.3** can be exceeded.

The function „Exceedance of shut off limits of the LICCON overload protection“ in connection with the function „Exceedance of the maximum value test point 1“ also shuts off immediately:

- If the set up key **D** is actuated again.
- If all master switches (MS1, MS2, MS3) are in neutral position for 10 seconds (with load chart available).
- When neither the seat contact button **29** nor one of the buttons **1** of the master switches (MS1, MS2, MS3) is actuated.
- If radio operation* is activated.
- At engine stop.
- At hoist top shut off.



Note

- ▶ The function „Exceedance of shut off limits of the LICCON overload protection“ is only turned off when the assembly icon **30** in the LICCON monitor turns off.
- ▶ If the function „Exceedance of shut off limits of the LICCON overload protection“ does not turn off after pressing the set up key **D** once, then press the set up key **D** again until the assembly icon **30** in the LICCON monitor turns off.

The function „Exceedance of shut off limits of the LICCON overload protection“ has / was shut off:

- The assembly icon **30** in the LICCON monitor turns off.
 - The working speed is reduced until all master switches (MS1, MS2, MS3) are in zero position at the same time.
- ▶ Make sure that the assembly icon **30** does no longer appear in the LICCON monitor.
- ▶ Carry out crane movements in such a way that no repeated shut off by the LICCON overload protection occurs.

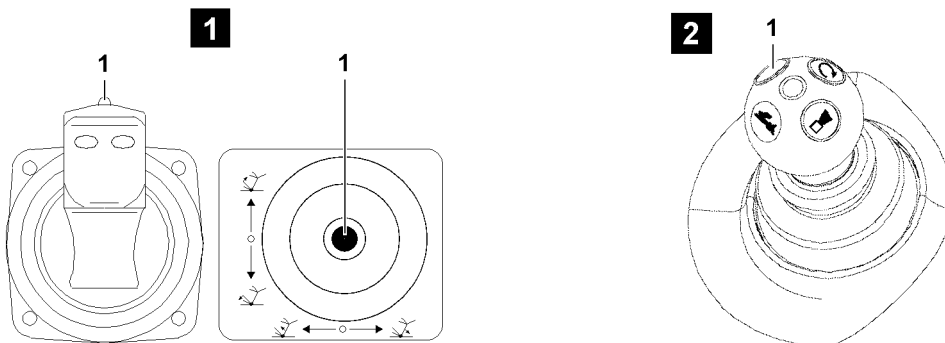
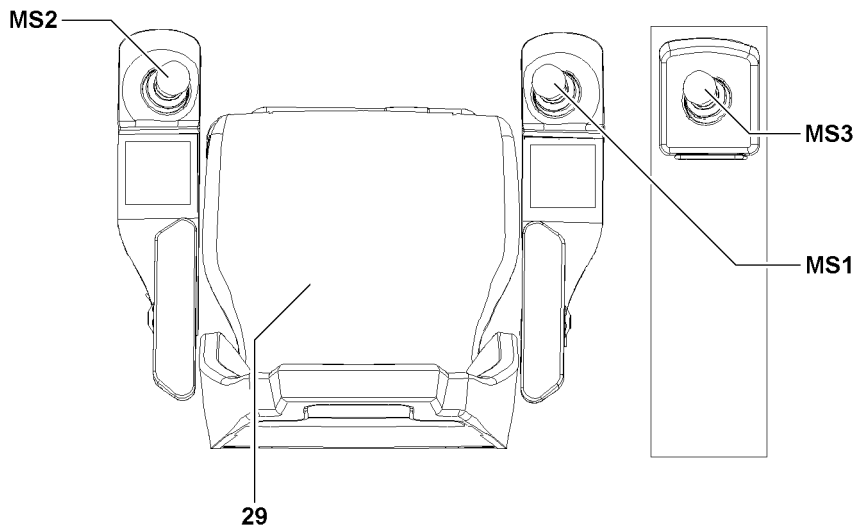
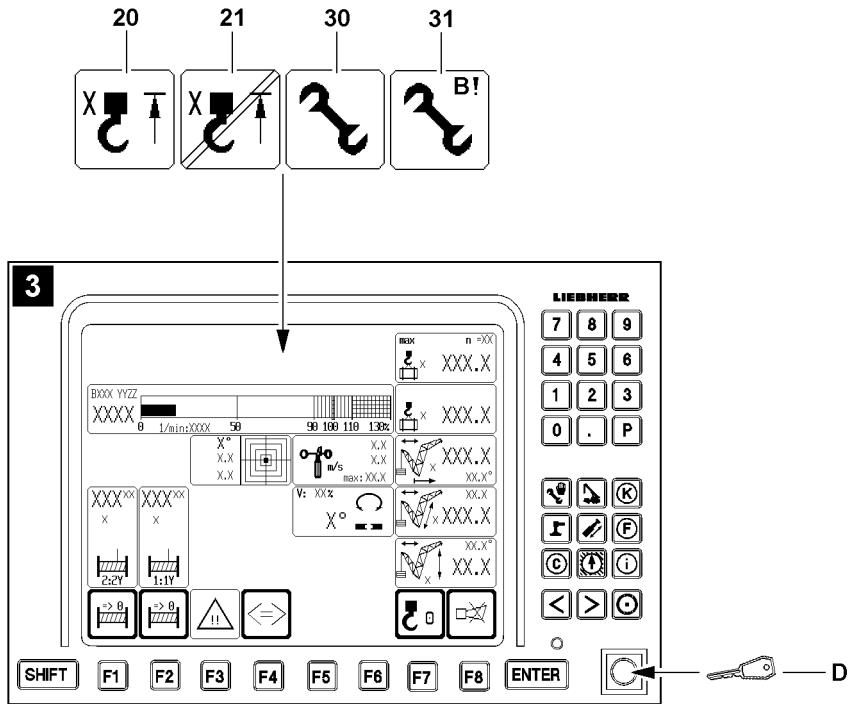


Fig.111230

2.5 Bypass of the hoist top shut off



WARNING

Improper use of the function „Bypass of hoist top shut off“!

- ▶ The function „Bypass of hoist top shut off“ may never be used to increase the lifting height during crane operation!



WARNING

Property damage and falling load!

If the function „Bypass of hoist top shut off“ is activated, there is the danger that the hook block or the load hook is pulled against the pulley head!

This danger exists especially when the hoist winch is continued to be spooled up and for crane movements which have an influence on the hoist rope, for example luffing the boom, the auxiliary boom / accessory or the derrick boom!

Property damage and falling load can result!

Personnel can be severely injured or killed!

- ▶ The function „Bypass of hoist top shut off“ may only be carried out by an authorized person, along with a guide. The guide must be in direct contact with the crane operator and must continually monitor the distance between the hook block / load hook and the boom head!
- ▶ Carry out all crane movements with utmost caution!



Note

- ▶ The activation of the function „Bypass of hoist top shut off“ is only possible if the hoist limit switch was touched and the hoist top shut off has occurred.
- ▶ If the hoist limit switch is triggered when the set up key **D** is actuated (function „Exceedance of shut off limits of the LICCON overload protection“ is active, the assembly icon **30** or the assembly icon **31** appear), then a hoist top shut off occurs and the function „Exceedance of shut off limits of the LICCON overload protection“ is deactivated.
- ▶ For assembly purposes or in emergency cases, if the activation of the function „Bypass of hoist top shut off“ **and** activation of the function „Exceedance of shut off limits of the LICCON overload protection“ is necessary, then the set up key **D** must be actuated until the icon **21** and assembly icon **30** or assembly icon **31** (assembly operation) appear.

Make sure that the following prerequisites are met:

- A hoist top shut off has occurred, the hoist top icon **20** appears in the LICCON monitor.
- Either the seat contact button **29** or one of the buttons **1** of the master switches (MS1, MS2, MS3) is actuated.
- All master switches (MS1, MS2, MS3) are in zero position (not deflected).
- The radio operation* is not active.

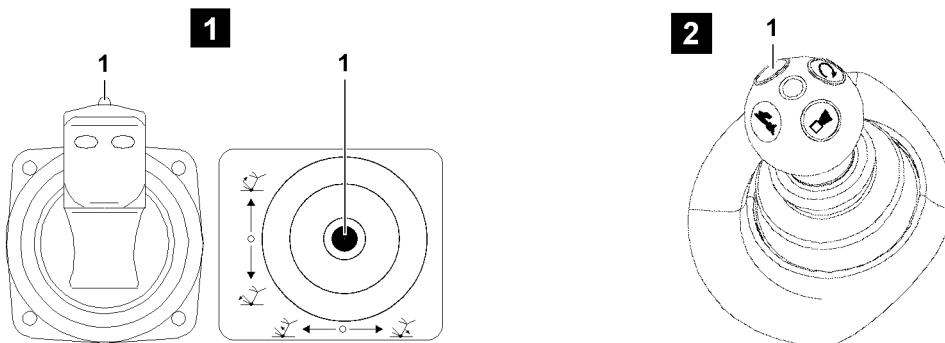
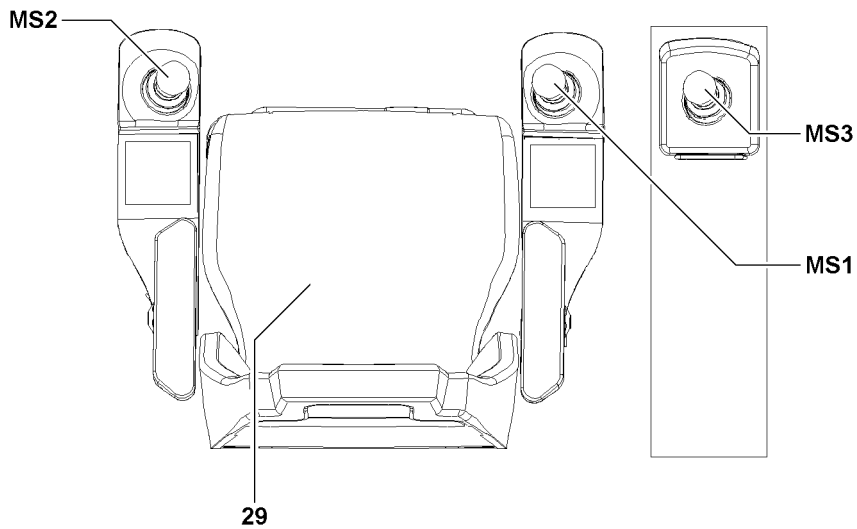
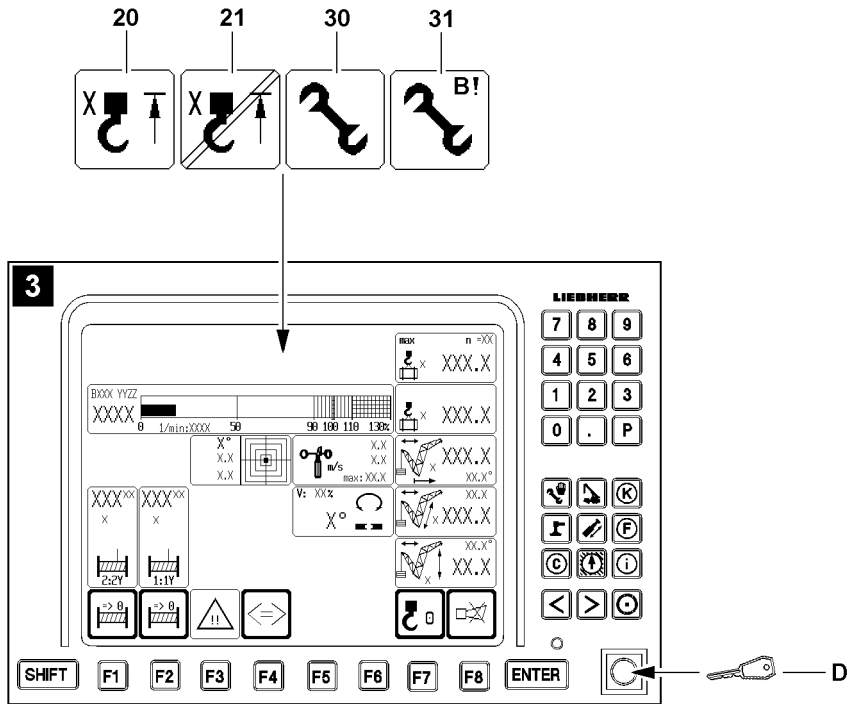


Fig.111230

- ▶ Turn the set up key **D** to the right (touching).

Result:

- The assembly icon **30** or the assembly icon **31** (assembly operation) appear in the LICCON monitor.
 - The hoist top icon **20** in the LICCON monitor changes to the icon **21**.
 - The working speed is reduced for all functions (if load chart is available).
 - All hoist limit switches are bypassed.
- ▶ Carry out a crane movement with bypassed hoist limit switches with utmost caution and by taking the safety guidelines into account.

The function „Bypass of the hoist top shut off“ turns off:

- If the set up key **D** is actuated again.
- When no master switch (MS1, MS2, MS3) was deflected for 10 seconds.
- When neither the seat contact button **29** nor one of the buttons **1** of the master switches (MS1, MS2, MS3) is actuated.
- If there is no longer a shut off of a hoist limit switch.
- If the radio operation* is active.
- At engine stop.

The function „Bypass of the hoist top shut off“ has / was turned off:

- The assembly icon **30** or the assembly icon **31** (assembly operation) in the LICCON monitor turn off.
 - The icon **21** on the LICCON monitor turns off.
 - The working speed is reduced until all master switches (MS1, MS2, MS3) are in zero position at the same time.
- ▶ Make sure that the assembly icon **30** or the assembly icon **31** (assembly operation) as well as the icon **21** no longer appear in the LICCON monitor.
 - ▶ Carry out the crane movements in such a way that no repeated hoist top shut off occurs.

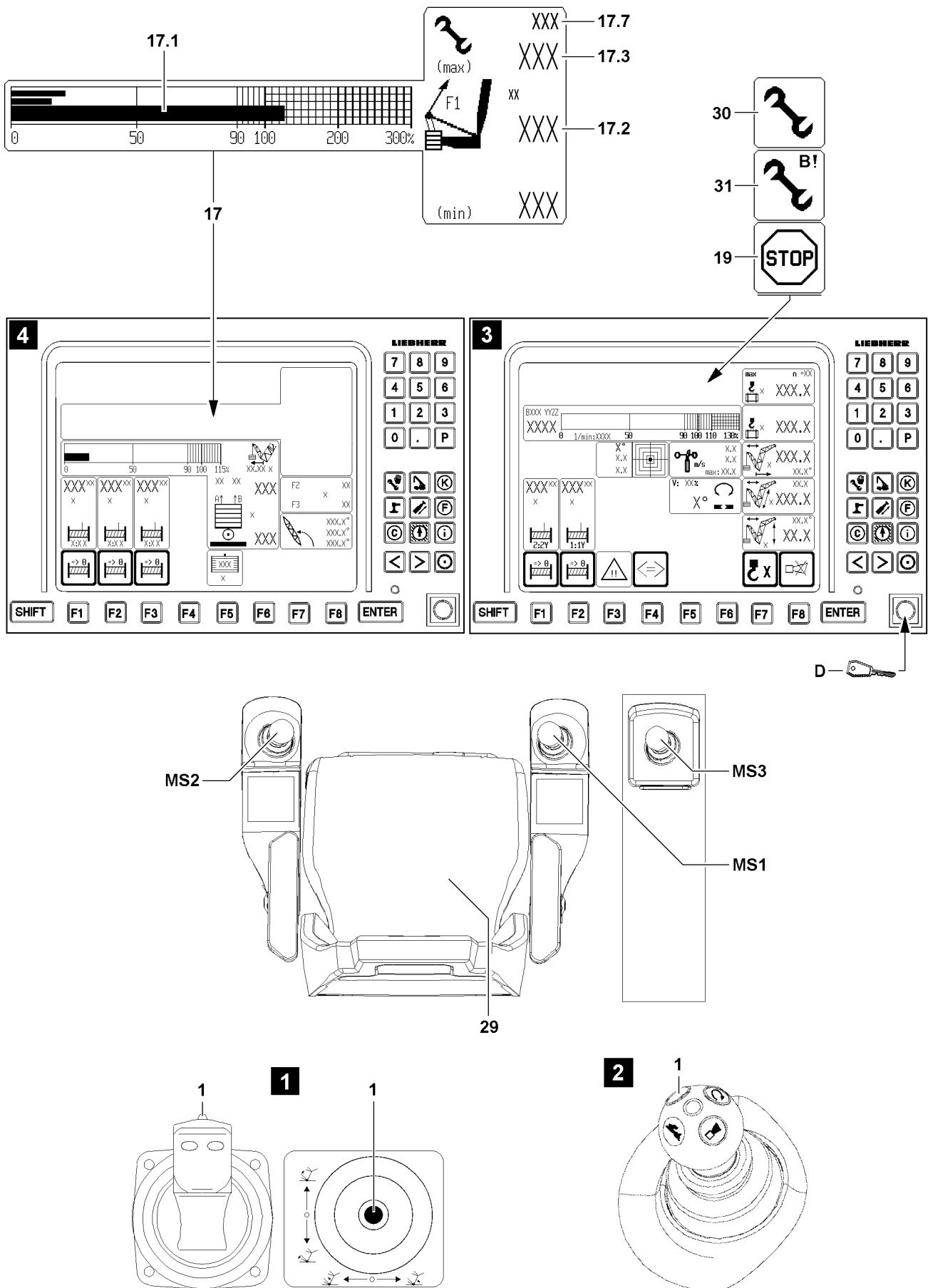


Fig.112343

LWE/LR 11350-005/19004-04-02/en

2.6 Exceeding the shut off limits of the LICCON overload protection during erection / take down procedures (assembly operation)



Note

- ▶ If the crane is in the area „No load chart available“ then there is a shut off of the crane control by the LICCON overload protection. The icon **19** appears in the LICCON monitor.
- ▶ By an actuated set up key **D**, the function „Exceedance of shut off limits of the LICCON overload protection“ can be activated, all erection / take down procedures can be carried out within the erection / take down charts, for which no load charts are available.



WARNING

Danger of accident during erection / take down procedures!

If the erection / take down charts are not observed, the crane could collapse, the boom can break off or the crane can topple over!

Personnel can be severely injured or killed!

- ▶ The erection / take down charts must be observed!
- ▶ Press the set up key **D** only when the configuration status has been entered correctly in the LICCON computer system and matches the actual situation!



Note

- ▶ The force determined on test point 1 is generally described as $F1_{\text{actual}}$ (actual value F1).
- ▶ In the icon **17** (F1-load display), the force relationship as well as the number values are shown in number values as well as a bar display (called F1-bar display).
- ▶ The value $F1_{\text{max-operation}}$ **17.3** corresponds to 100 % in the F1-bar display.
- ▶ The F1-utilization bar **17.1** shows the relationship $F1_{\text{actual}}$ **17.2** to $F1_{\text{max-operation}}$ **17.3**.
- ▶ In crane operation without derrick ballast, fewer values may be shown in the icon **17** (F1-load display).
- ▶ If a load chart is available, then the value $F1_{\text{max-operation}}$ **17.3** is valid as the limit value for a shut off of crane operation.
- ▶ When leaving the area „Load chart available“, the assembly icon **30** turns off and the assembly icon **31** appears!
- ▶ When leaving the area „Load chart available“ then $F1_{\text{max-assembly}}$ **17.7** is valid as the upper limit value!
- ▶ $F1_{\text{max-assembly}}$ **17.7** might only appear when 90 % of its nominal value is exceeded!

2.6.1 Carrying out erection procedures (assembly operation)

Make sure that the following prerequisites are met:

- All master switches (MS1, MS2, MS3) are in zero position (not deflected).
- Either the seat contact button **29** or one of the buttons **1** of the master switches (MS1, MS2, MS3) is actuated.
- Radio operation* is not active.
- The set up configuration corresponds to the erection / take down charts.
- The set up configuration has been entered correctly into the LICCON computer system.

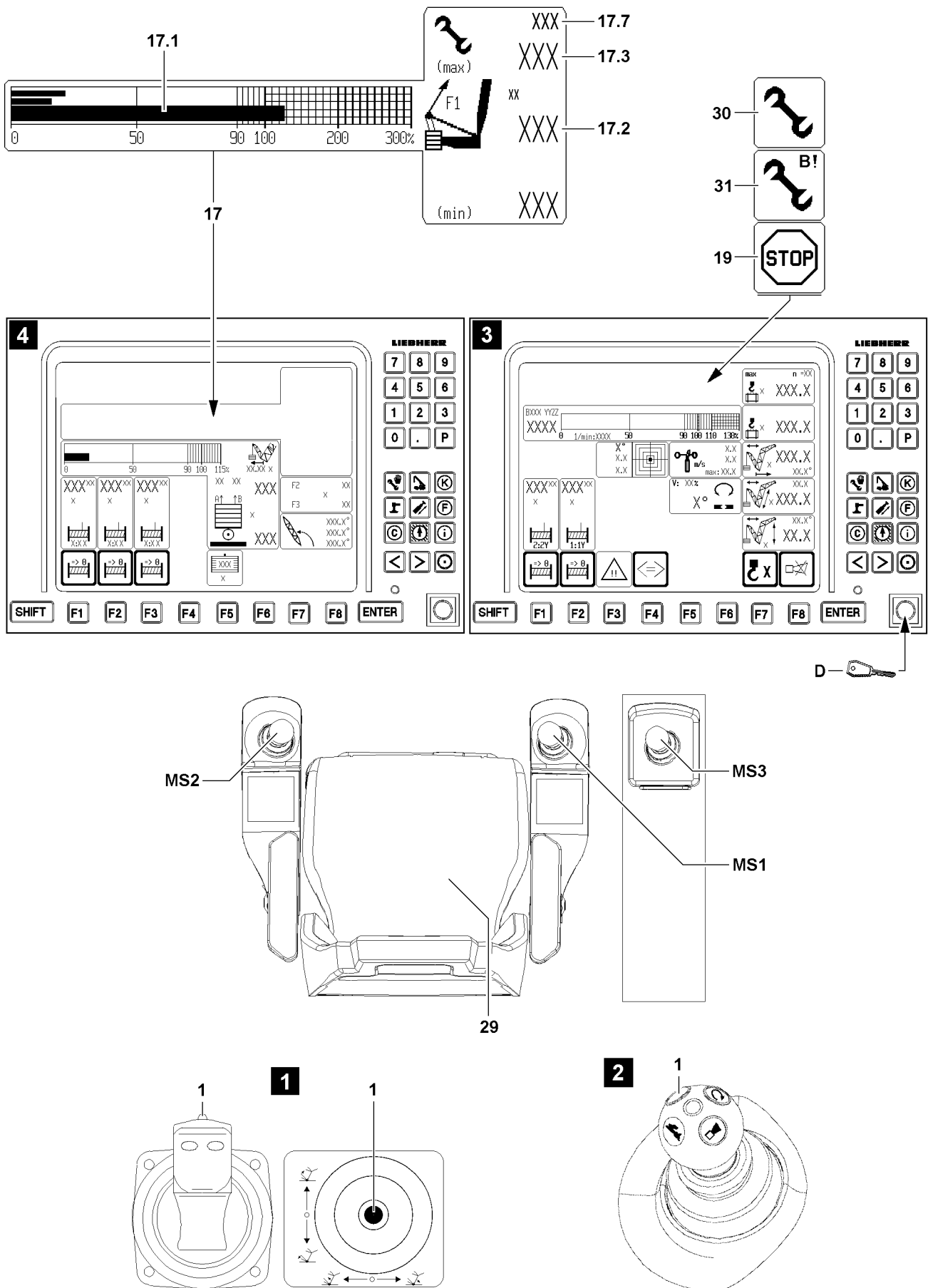


Fig.112343

LWE/LR 11350-005/19004-04-02/en

- ▶ Turn the set up key **D** to the right (touching).

Result:

- The assembly icon **31** appears in the area „No load chart available“.
- The erection / take down procedures can be carried out.
- ▶ Watch the icon **17** (F1-load display), the value $F1_{\text{actual}}$ **17.2** may not exceed the value $F1_{\text{max-assembly}}$ **17.7**.

Problem remedy

The erection / take down procedure cannot be carried out due to shut off „ $F1_{\text{max-assembly}}$ **17.7** exceeded“?

- ▶ See section „Danger of exceeding $F1_{\text{max-assembly}}$ “.
-

Problem remedy

The function „Exceedance of shut off limits of the LICCON overload protection“ can not be activated during erection / take down procedures?

- ▶ Check the error messages.
 - ▶ Check the electrical connections.
 - ▶ Check if all sensors or dummy plugs with integrated electric have been connected properly.
-

The function „Exceedance of shut off limits of the LICCON overload protection“ turns off:

- If the set up key **D** is actuated again.
- When an area with existing load chart is reached (erection procedure).
- If all master switches (MS1, MS2, MS3) are in neutral position for 10 seconds (with „Load chart available“).
- When neither the seat contact button **29** nor one of the buttons **1** of the master switches (MS1, MS2, MS3) is actuated.
- At engine stop.

The function „Exceedance of shut off limits of the LICCON overload protection“ has / was shut off:

- The assembly icon **30** or the assembly icon **31** in the LICCON monitor turns off.
- ▶ After completion of the erection / take down procedures, make sure that the assembly icon **30** or the assembly icon **31** no longer appear in the LICCON monitor.

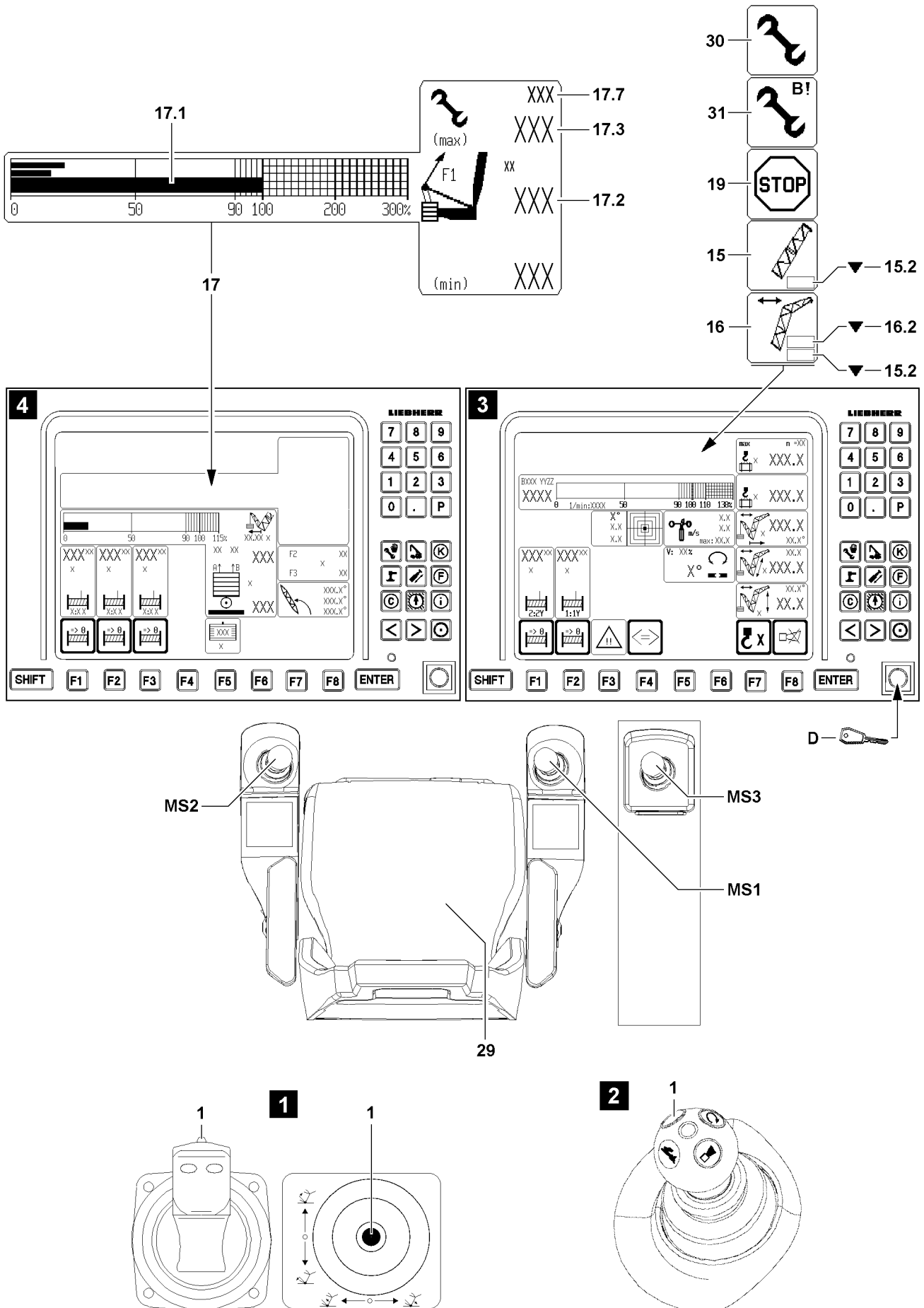


Fig.112341

2.6.2 Carrying out take down procedures (assembly operation)



WARNING

Increased danger of accidents due to bypass of shut off of luffing the main boom / auxiliary boom / accessory down!

When the shut off luffing the main boom / auxiliary boom / accessory down is bypassed, then the LICCON overload protection as a whole is deactivated or limited.

When the shut off luffing the main boom / auxiliary boom / accessory down is bypassed and the main boom and / or the auxiliary boom / accessory is further luffed down, then there is no load chart available any longer!

Crane operation with bypassed shut off luffing the main boom / auxiliary boom / accessory down is prohibited, since severe accidents can result!

Personnel can be severely injured or killed!

- ▶ Activate the bypass of the shut off luffing the main boom / auxiliary boom / accessory down only in emergency cases or for erection / take down procedures with erection / take down charts!
- ▶ Carry out all crane movements with utmost caution!

Make sure that the following prerequisites are met:

- In icon **15** or icon **16** the arrow **15.2** or arrow **16.2** appear and the LICCON overload protection has shut off the crane movement.
 - Either the seat contact button **29** or one of the buttons **1** of the master switches (MS1, MS2, MS3) is actuated.
 - All master switches (MS1, MS2, MS3) are in zero position (not deflected).
 - The radio operation* is not active.
- ▶ Turn the set up key **D** to the right (touching).

Result:

- The assembly icon **30** appears in the LICCON monitor.
- The function „Exceedance of shut off limits of the LICCON overload protection“ is activated and has bypassed the shut off luffing the main boom / auxiliary boom / accessory down.



Note

- ▶ If a load chart is available, then the value $F1_{\text{max operation}}$ **17.3** is valid as the limit value for a shut off of crane operation.
- ▶ When leaving the area „Load chart available“, the assembly icon **30** turns off and the assembly icon **31** appears!
- ▶ When leaving the area „Load chart available“ then $F1_{\text{max assembly}}$ **17.7** is valid as the upper limit value!
- ▶ If no derrick boom is installed, then the icon **17** only shows $F1_{\text{actual}}$ **17.1** and $F1_{\text{max-assembly}}$ **17.7**.
- ▶ $F1_{\text{max-assembly}}$ **17.7** might only appear when 90 % of its nominal value is exceeded!

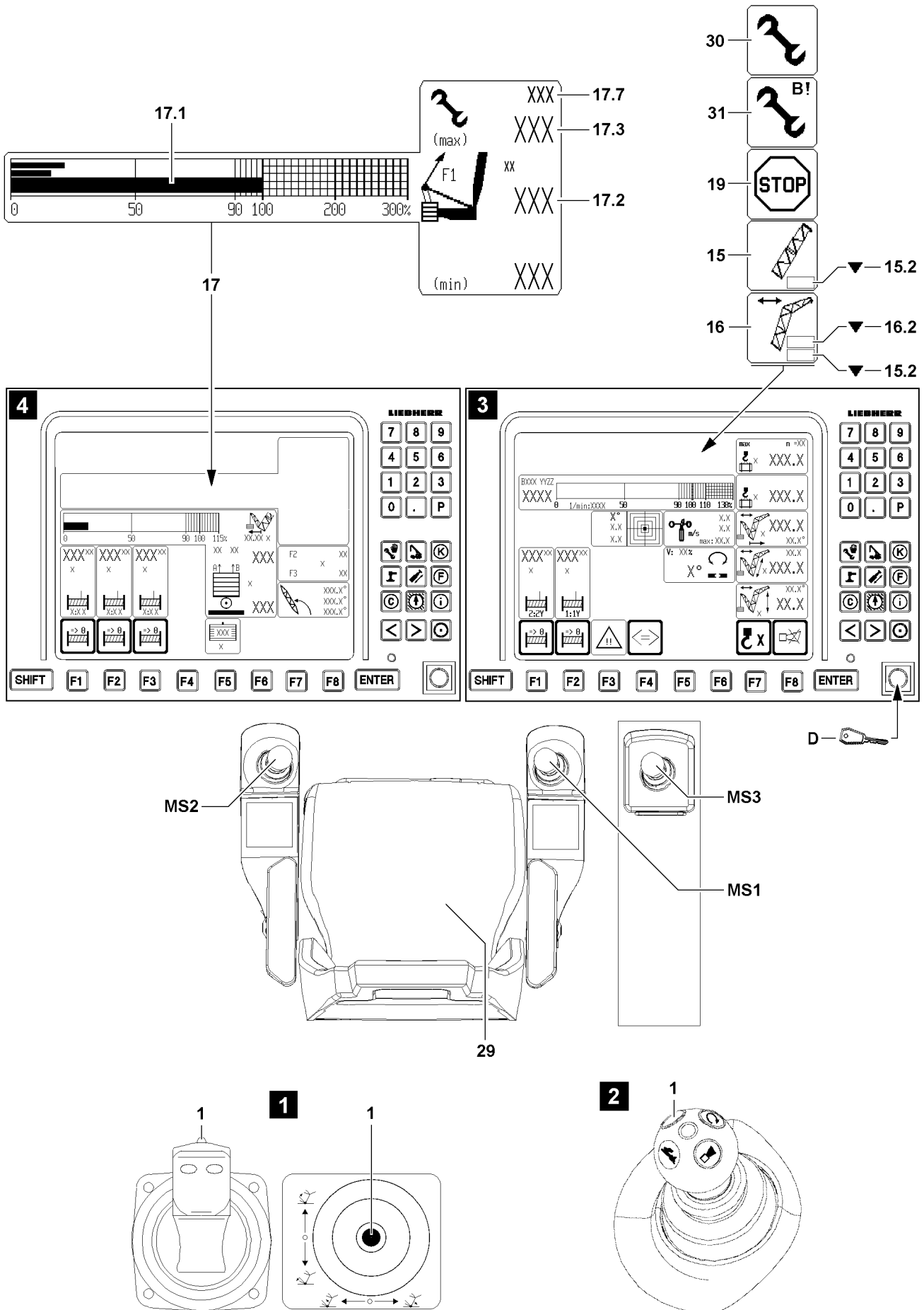


Fig.112341

**DANGER**

The crane can topple over!

There is **no** shut off of the luff down movement after reaching the limit value $F1_{\text{max assembly}}$ **17.7!**

If the warnings by the LICCON overload protection are ignored, then the crane will be overloaded or topples over!

Personnel can be severely injured or killed!

▶ The icon **17** (F1-load display) must be watched permanently! It must be ensured that the value

$F1_{\text{actual}}$ **17.2** is smaller than the value $F1_{\text{max assembly}}$ **17.7!**

▶ The luff down movement must be stopped before the value $F1_{\text{actual}}$ **17.2** exceeds the limit value $F1_{\text{max assembly}}$ **17.7!**

▶ During the take down procedure watch the icon **17** (F1-load display).

Problem remedy

The take down procedure cannot be carried out due to danger of exceeding the $F1_{\text{max assembly}}$ **17.7?**

▶ See section „Danger of exceeding $F1_{\text{max assembly}}$ “.

The bypass of the shut off luffing the main boom / auxiliary boom / accessory down turns off:

- If the set up key **D** is actuated again.
- When neither the seat contact button **29** nor one of the buttons **1** of the master switches (MS1, MS2, MS3) is actuated.
- When an area with existing load chart is reached.
- If the radio operation* is active.
- At engine stop.

The bypass of the shut off luffing the main boom / auxiliary boom / accessory down has / was turned off:

- The assembly icon **31** or the assembly icon **30** in the LICCON monitor turns off.
- ▶ Make sure that the assembly icon **30** or the assembly icon **31** no longer appear in the LICCON monitor.

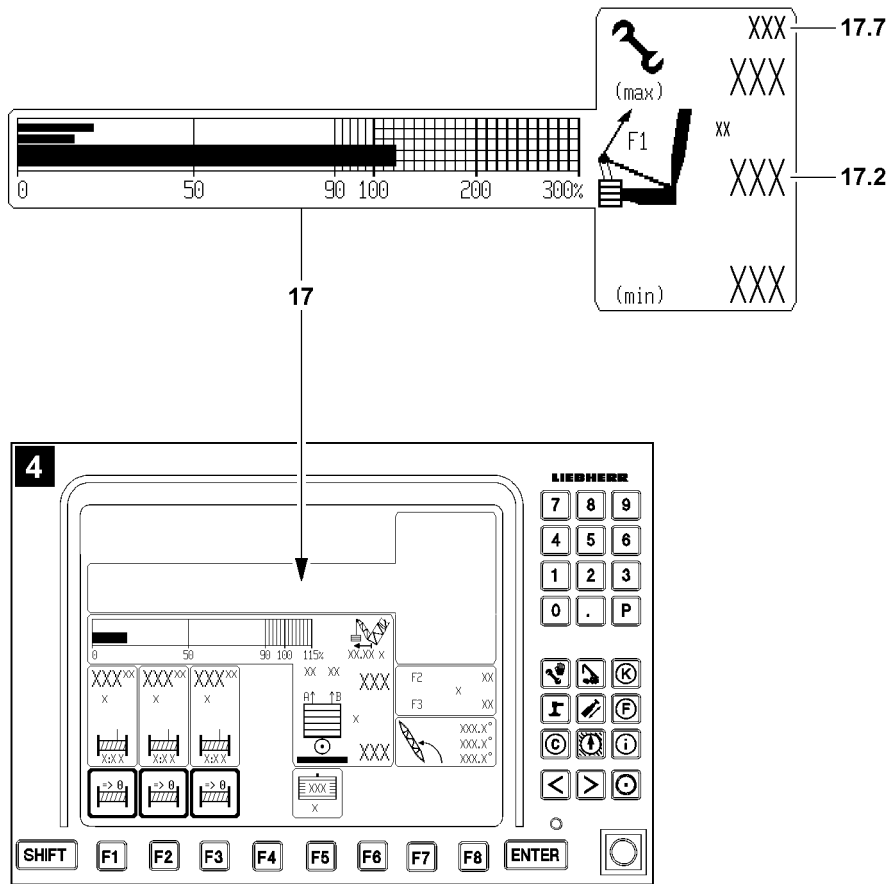


Fig.112344

2.6.3 Danger of exceeding $F1_{\text{max assembly}}$



Note

- ▶ $F1_{\text{max-assembly}}$ **17.7** might only appear when 90 % of its nominal value is exceeded!



DANGER

The crane can topple over!

There is **no** shut off of the luff down movement after reaching the limit value $F1_{\text{max assembly}}$ **17.7!**

If the warnings by the LICCON overload protection are ignored, then the crane will be overloaded or topples over!

Personnel can be severely injured or killed!

- ▶ The luff down movement must be stopped before the value $F1_{\text{actual}}$ **17.2** exceeds the limit value $F1_{\text{max assembly}}$ **17.7!**

In the icon **17** (F1-load display), the value $F1_{\text{actual}}$ **17.2** has reached the upper limit value $F1_{\text{max-assembly}}$ **17.7**.

- ▶ Check if a crane movement, which can lower the force $F1$ (value $F1_{\text{actual}}$ **17.2**) can be initiated, for example setting down the hook block / load hook.
- ▶ Check if the correct set up configuration has been entered on the LICCON computer system.
- ▶ Check if the actual set up configuration matches the entered set up configuration.
- ▶ Check if the correct hook block weight has been entered.
- ▶ Check if the respective hook block / load hook is installed.
- ▶ Check if all attachment parts and guy rods on the boom system, which are not needed, have been removed.
- ▶ Check if environmental influences (wind, snow or ice) on the crane are not too great.



Note

- ▶ Hook block weight entry and correction of weighing errors, see Crane operating instructions, chapter 4.02.

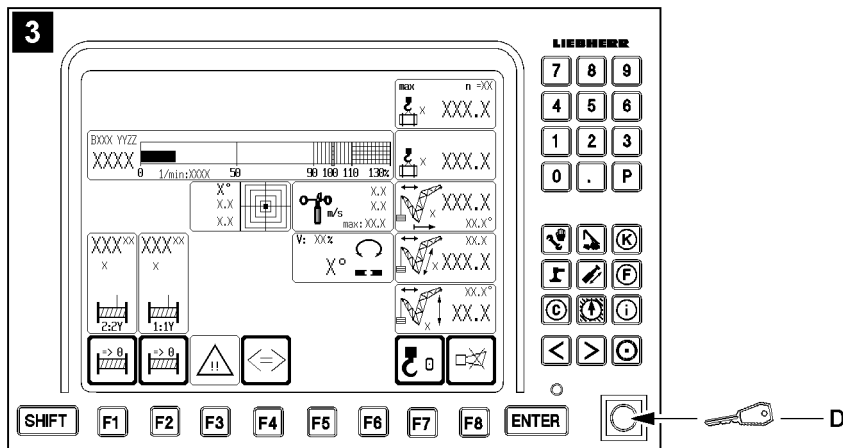
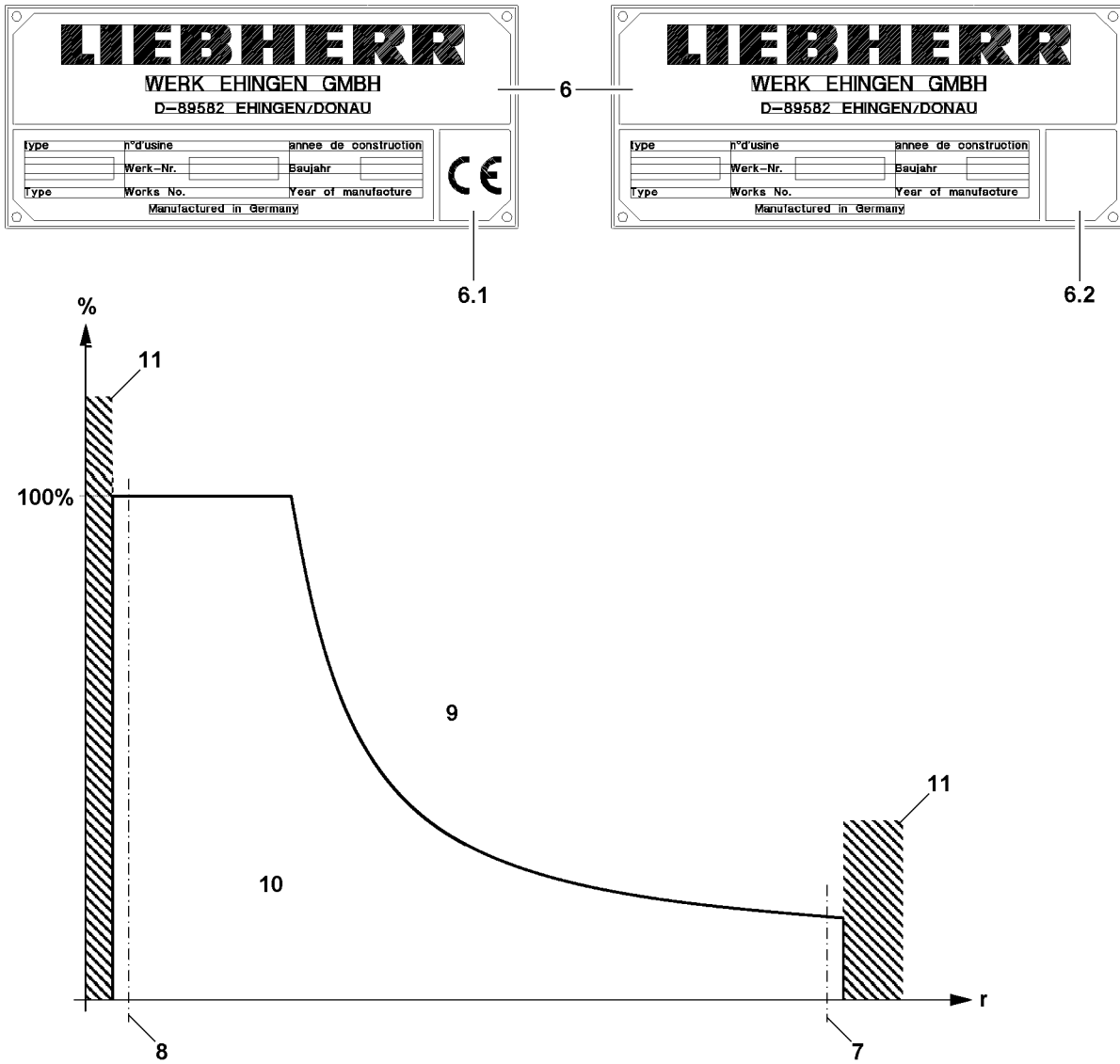


Fig.111208

LWE/LR 11350-005/19004-04-02/en

3 Instructions for resuming crane movements for cranes without CE mark



WARNING

Risk of accident!

If the following points are not observed, personnel can be severely injured or killed.

- ▶ The crane operator bears the sole and full responsibility for the adherence to measures to be taken in case of shut off of crane movement!
- ▶ The crane operator must make sure, before crane operation, that he is using the correct description for the current programming!



Note

- ▶ Check the data tag **6** to determine if your crane has a CE mark!
- ▶ The following section applies to a crane without CE mark, see data tag **6.2**!
- ▶ If your crane does have a CE mark, see data tag **6.1**, then you must observe the description in section „Instructions for resuming a crane movement for cranes with CE mark“!

3.1 Overview load chart for cranes without CE mark

Axle	Description
r	Radius boom (working radius)
%	Utilization of the crane in percentages

Position	Description
7	Lower limit angle load chart
8	Upper limit angle load chart
9	Area „Exceeding the overload protection“
10	Area „Load chart available“
11	Area „No load chart available“



Note

- ▶ If the set up key **D** (LICCON monitor with crane operating screen, illustration **3**) is actuated, the working speed is not reduced!

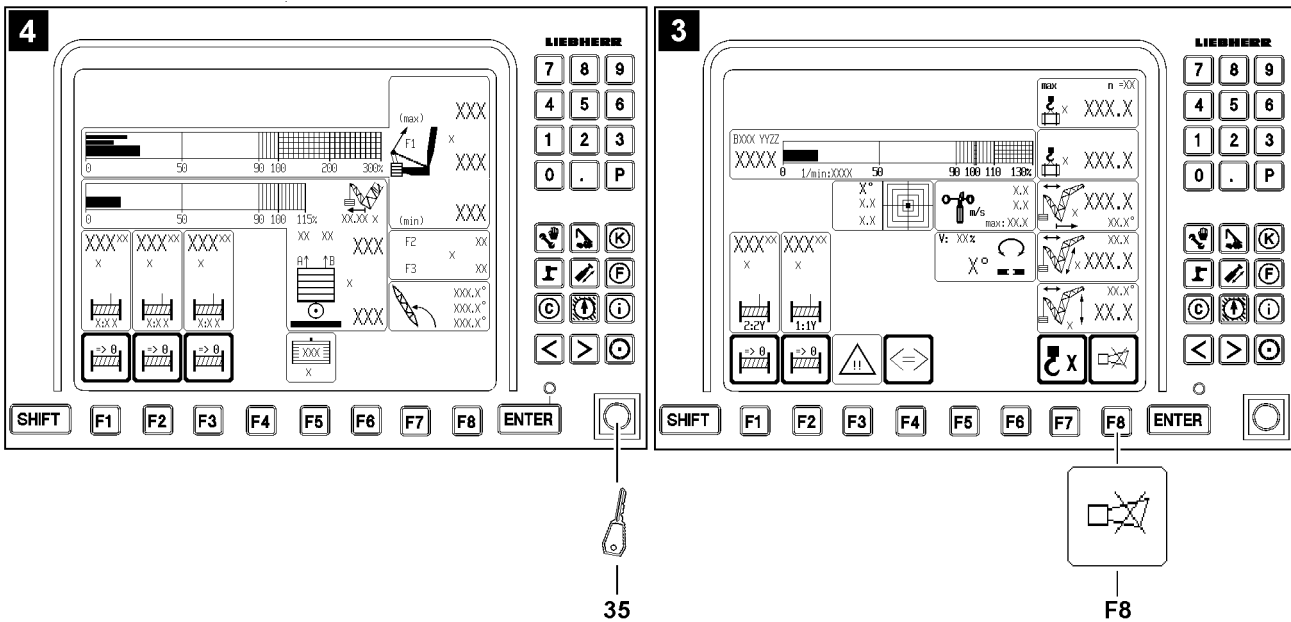
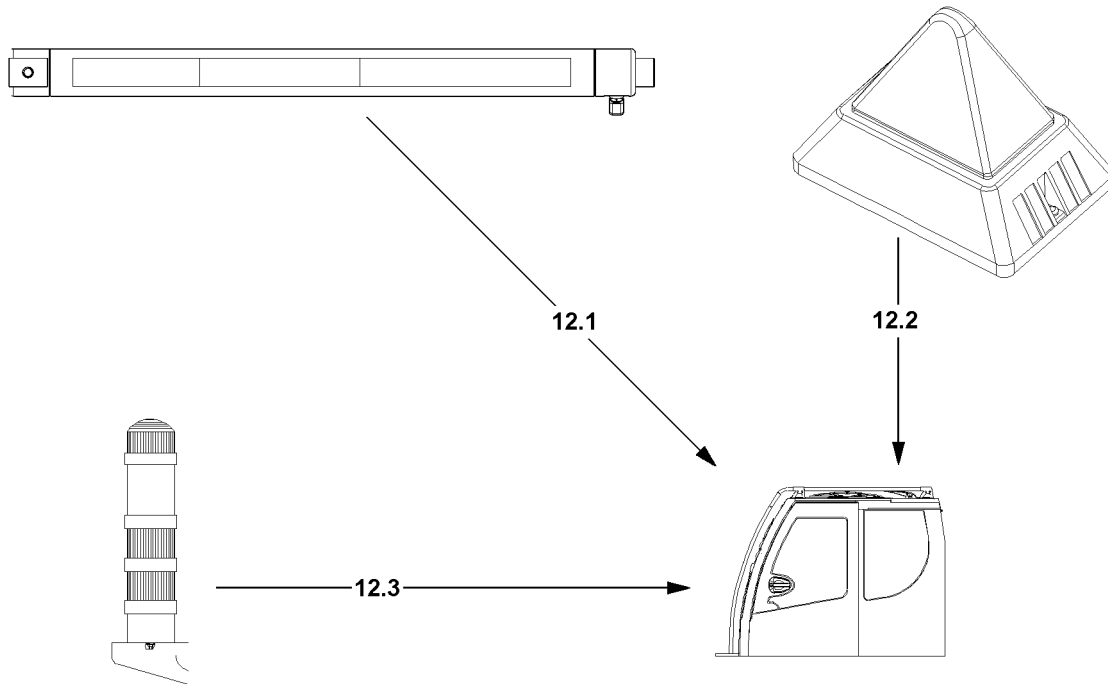


Fig.111212

3.2 Overview of acoustic / visual warnings for cranes without CE mark

- Depending on the crane type, either a warning light **12.1** or a flashing beacon **12.2** or a combination of flashing beacon **12.2** and warning light* **12.3** are installed.
- The acoustic warnings within the crane operator's cab are turned off by pressing the button **F8** on the LICCON monitor with crane operating screen (illustration **3**).
- The acoustic warnings outside the crane operator's cab are turned off by actuating the key button **35** on the LICCON monitor with derrick operating screen (illustration **4**).

3.2.1 Description of acoustic / visual warnings

The case numbers from the chart „Overview of case numbers“ are valid for the following charts in this chapter:

- „Acoustic / visual warnings on the LICCON monitor“
- „Warning light 12.1“
- „Flashing beacon 12.2“
- „Warning light 12.3“

Overview of case numbers	
Case number	Description Case
Case 001	Utilization of crane from 0 % to 89 %
Case 002	Utilization of crane from 90 % to 100 %
Case 003	Utilization of crane over 100 %
Case 004	Shut off of crane movements - LMB STOP
Case 005	Luffing in with suspended load
Case 006	Participating sensor (LMB) defective
Case 010	Exceeding the shut off limits of the LICCON overload protection
Case 011	Bypass of shut off hoist top
Case 016	Bypass of shut off luffing down the boom / auxiliary boom / accessories, „Load chart available“
Case 018	Bypass of shut off luffing down the boom / auxiliary boom / accessories, „No load chart available“
Case 020	Exceeding the shut off limits of the LICCON overload protection during erection / take down procedures, „No load chart available“

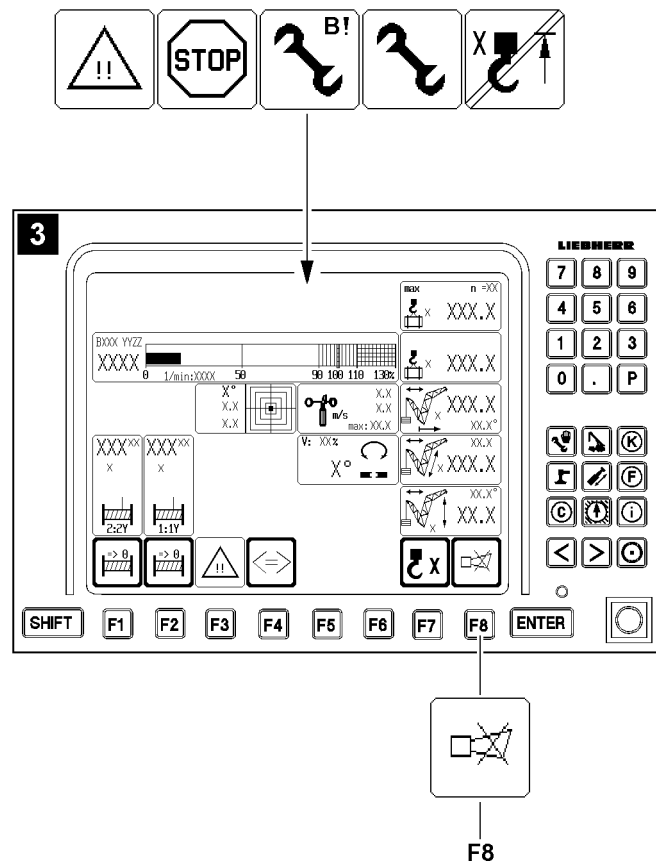


Fig.111209

3.2.2 Acoustic / visual warnings within the crane operator's cab



Note

► Description of individual case numbers, see chart „Overview of case numbers“!

Acoustic / visual warnings on the LICCON monitor									
Case number	Acoustic warning LICCON monitor at utilization of crane			Visual warning LICCON monitor					
	Short sound	Long sound	Long sound	Utilization of crane		Occurrence			
	From 90 %	Above 100 %	Always	From 90 %	Above 100 %	LMB STOP	Appears if the set up key D is actuated		
Case 001							—	—	—
Case 002	X ²			○			—	—	—
Case 003		X ²		○	○		—	—	—
Case 004			X ²		○		—	—	—
Case 005	X ²	X ²		○	○		—	—	—
Case 006			X ²			○		○	
Case 010	X ²	X ²		○	○		○		
Case 011			X ²	○	○	○	○		○
Case 016	X ²	X ²		○	○		○		
Case 018			X ²			○		○	
Case 020			X ²			○		○	

○ = cannot be turned off

X² = can be turned off immediately on the LICCON monitor key **F8**

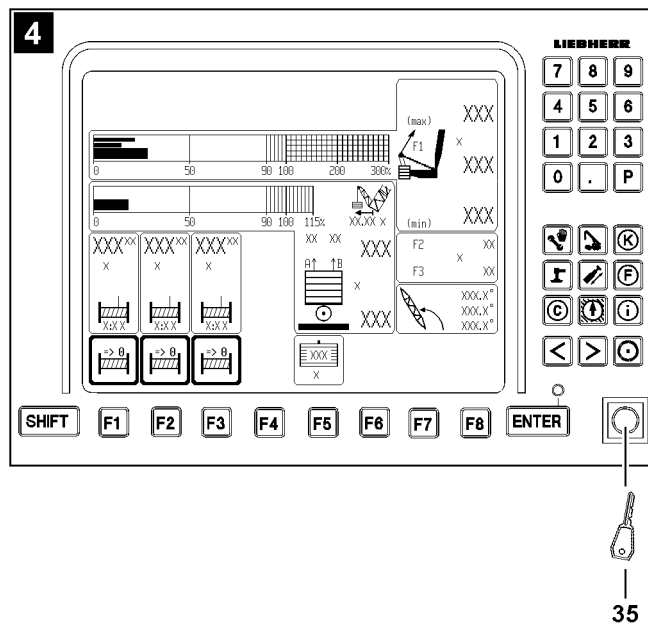
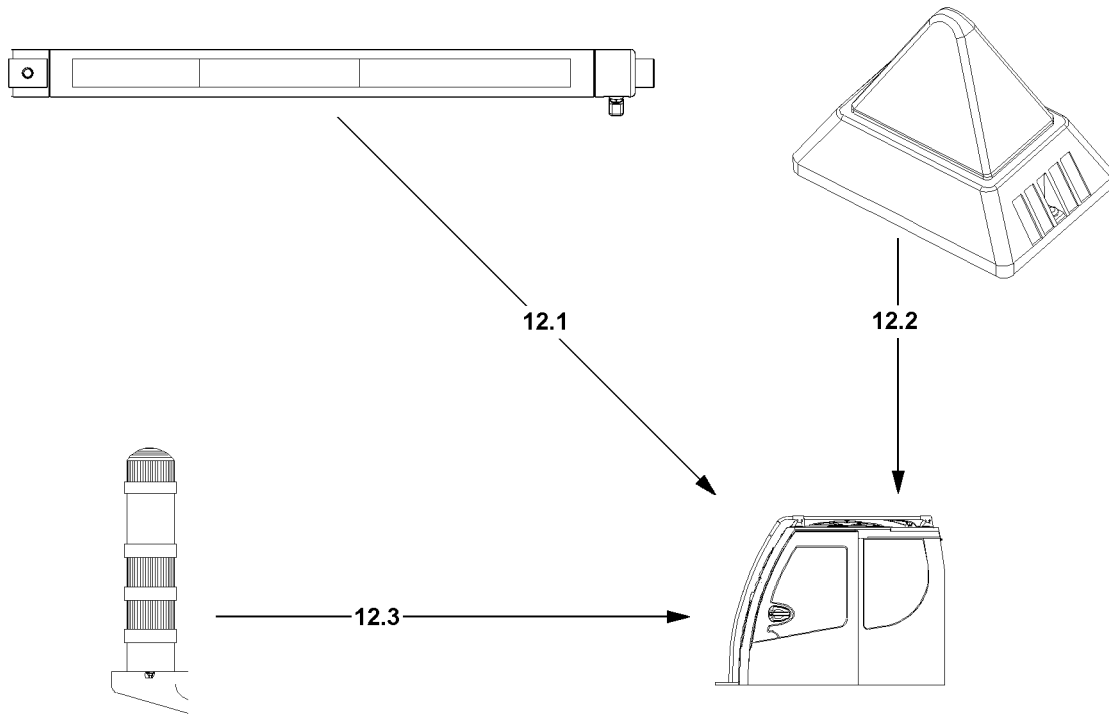


Fig.111206

3.2.3 Acoustic / visual warnings outside the crane operator's cab


Note

► Description of individual case numbers, see chart „Overview of case numbers“!

Warning light 12.1					
Case number	At utilization of crane	Acoustic warning	Visual warning		
		Signal turntable	Green	Yellow	Red
Case 001	From 0 % to 89 %		O ¹		
Case 002	From 90 % to 100 %			O ¹	
Case 003	Above 100 %	X ¹			O ¹
Case 004	-				O ¹
Case 005	From 0 % to 89 %		O ¹		
Case 005	From 90 % to 100 %			O ¹	
Case 005	Above 100 %	X ¹			O ²
Case 006	-			O ²	
Case 010	From 0 % to 89 %		O ¹		
Case 010	From 90 % to 100 %			O ¹	
Case 010	Above 100 %	O			O ²
Case 011	From 0% to 100 %			O ²	
Case 011	Above 100 %	O			O ²
Case 016	Up to 90 %		O ¹		
Case 016	Above 90 % to 100 %			O ¹	
Case 016	Above 100 %	O			O ²
Case 018	No value available			O ²	
Case 020	No value available			O ²	

O = cannot be turned off

O¹ = warning light **12.1** lights up

O² = warning light **12.1** blinks

X¹ = can be turned off by actuating (right touching) the key button **35** on the LICCON monitor with the derrick operating screen (illustration **4**), effective after at least 5 seconds

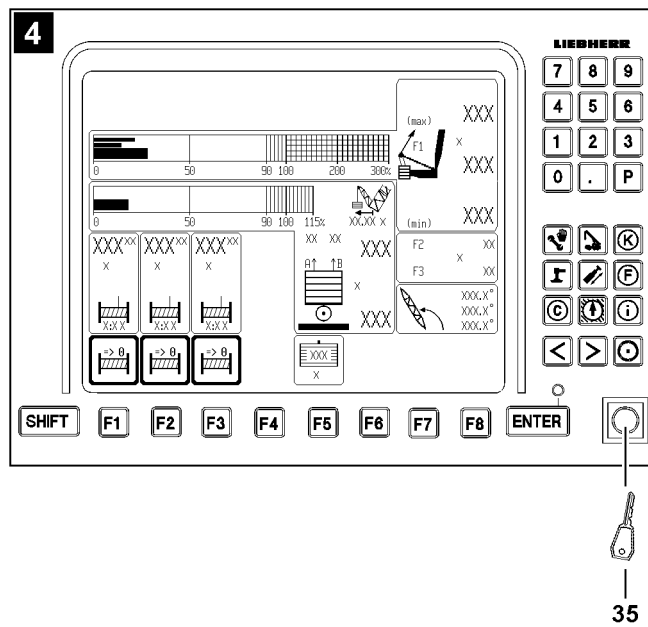
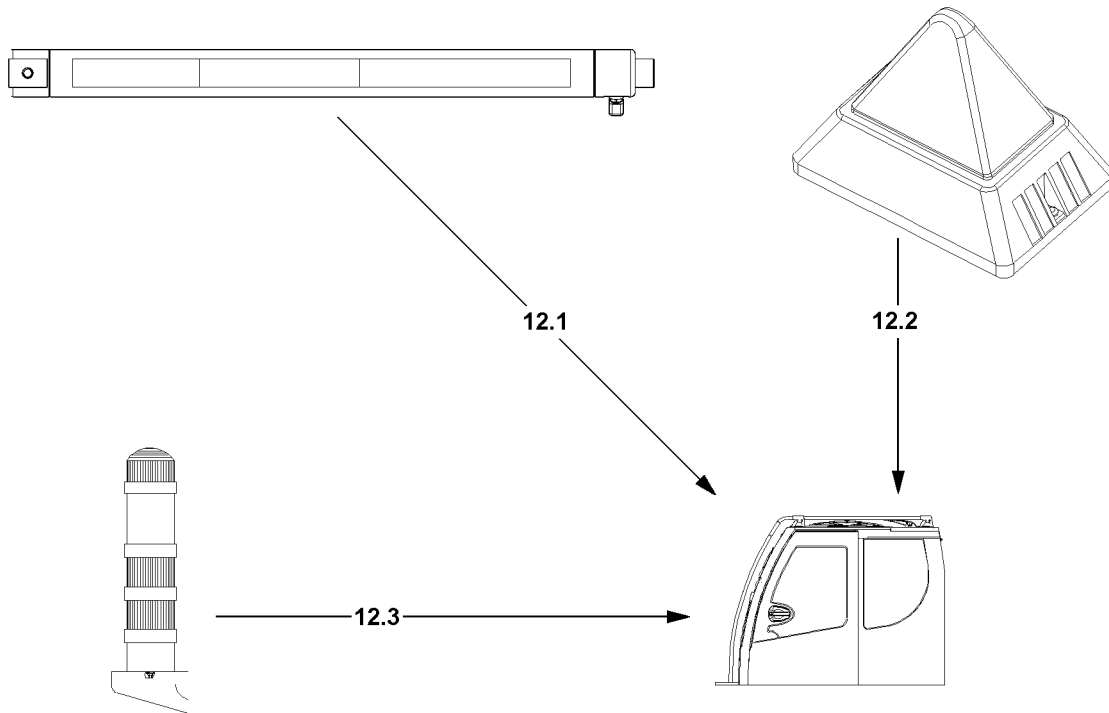


Fig.111206

**Note**

► Description of individual case numbers, see chart „Overview of case numbers“!

Flashing beacon 12.2			
Case number	At utilization of crane	Acoustic warning	Visual warning
		Signal turntable	Red
Case 001	0 % up to 89 %	-	-
Case 002	90 % up to 100 %	-	-
Case 003	Above 100 %	X ¹	O ²
Case 004	-		O ²
Case 005	Above 100 %	X ¹	O ²
Case 006	-		O ²
Case 010	Above 100 %	O	O ²
Case 011	Above 100 %	O	O ²
Case 016	Above 100 %	O	O ²
Case 018	No value available		O ²
Case 020	No value available		O ²

O = cannot be turned off

O² = flashing beacon **12.2** blinks

X¹ = can be turned off by actuating (right touching) the key button **35** on the LICCON monitor with the derrick operating screen (illustration **4**), effective after at least 5 seconds

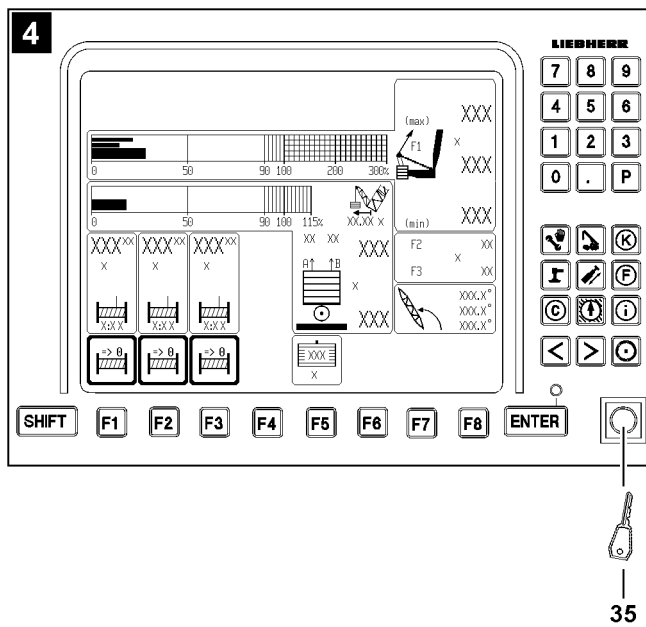
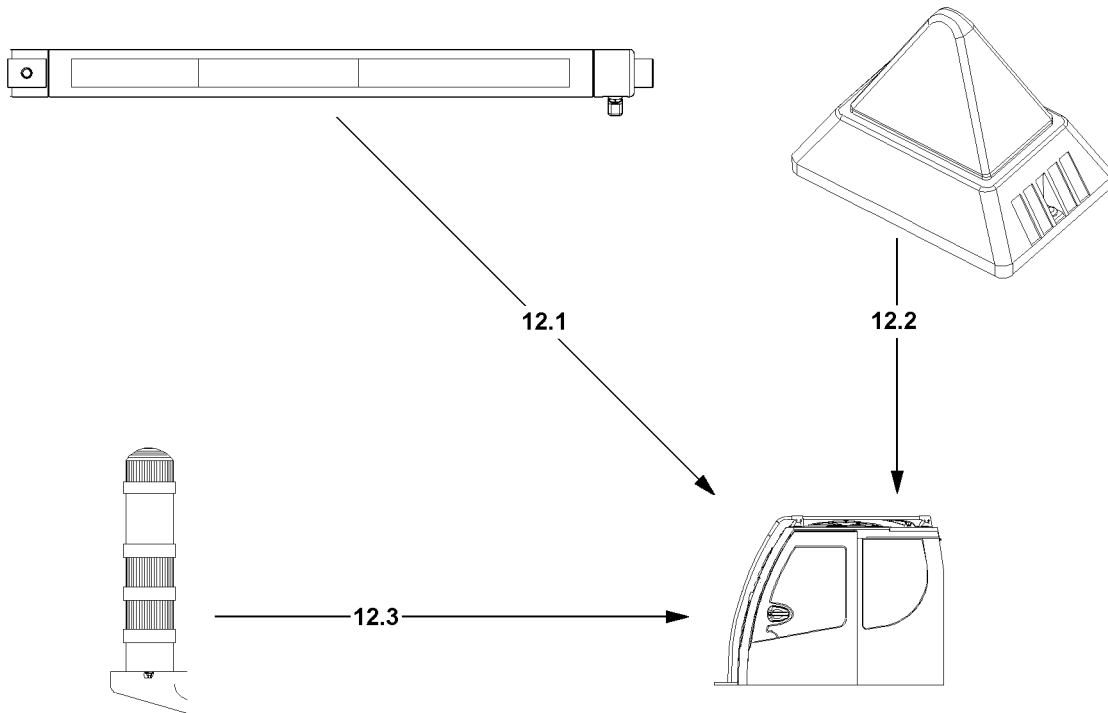


Fig.111206

**Note**

► Description of individual case numbers, see chart „Overview of case numbers“!

Warning light 12.3					
Case number	At utilization of crane	Acoustic warning	Visual warning		
		Signal turntable	Green	Yellow	Red
Case 001	From 0 % to 89 %		O ¹		
Case 002	From 90 % to 100 %			O ¹	
Case 003	Above 100 %	X ¹			O ²
Case 004	-				O ²
Case 005	From 0 % to 89 %		O ¹		
Case 005	From 90 % to 100 %			O ¹	
Case 005	Above 100 %	X ¹			O ²
Case 006	-				O ²
Case 010	From 0 % to 89 %		O ¹		
Case 010	From 90 % to 100 %			O ¹	
Case 010	Above 100 %	O			O ²
Case 011	From 0% to 100 %			O ¹	
Case 011	Above 100 %	O			O ²
Case 016	From 0 % to 89 %		O ¹		
Case 016	From 90 % to 100 %			O ¹	
Case 016	Above 100 %	O			O ²
Case 018	No value available				O ²
Case 020	No value available				O ²

O = cannot be turned off

O¹ = warning light **12.3** lights up

O² = warning light **12.3** blinks

X¹ = can be turned off by actuating (right touching) the key button **35** on the LICCON monitor with the derrick operating screen (illustration **4**), effective after at least 5 seconds

3.3 Monitoring of crane movement

**Note**

- If the LICCON overload protection turns the crane movement off, then the exact cause for the shut off must be determined first.
- As a first step, try to rescind the crane movement which has caused a shut off.
- If it is not possible to rescind the affected crane movement, then the additional steps are described in the following sections of the chapter.

**Note**

- For detailed description of the individually listed icons, see Crane operating instructions, chapter 4.02.

The LICCON overload protection carries out the following shut offs if a limit value is exceeded in crane operation:

- Shut off luffing the main boom up / down
- Shut off luffing the auxiliary boom / accessory up / down
- Shut off maximum / minimum value test point 1 (force F1)
- Shut off spooling the winch up / out
- Shut off hoist top
- Shut off due to error message

The LICCON overload protection warns if the limit values are exceeded, but does not turn off:

- Minimum / maximum support forces

3.3.1 Shut off luffing the main boom up / down



Note

- ▶ In crane operation with derrick boom, it is also shown in the icon!

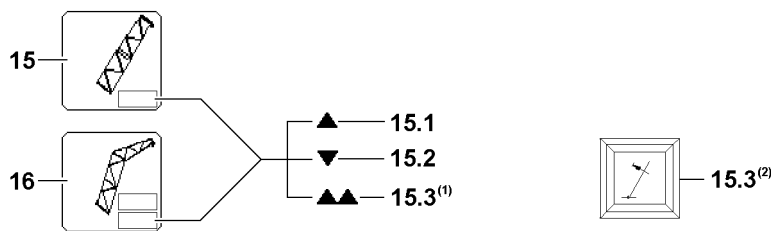


Fig.112329

⁽¹⁾not LR 1400/2

⁽²⁾only LR 1400/2

In icon **15** or icon **16** (lower field) arrow **15.1** or arrow **15.2** appear and the LICCON overload protection has shut off the crane movement.

„Luffing the main boom up“ (arrow **15.1**) or „Luffing the main boom down“ (arrow **15.2**) was shut off because the upper / lower limit angle of the selected load chart was exceeded / fallen below.

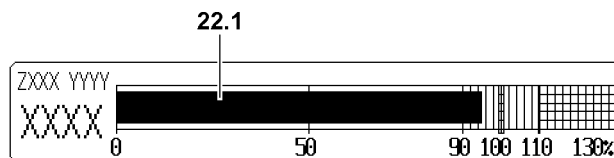


Fig.112340



Note

- ▶ If the utilization of the crane is more than 95 % (utilization bar **22.1** exceeds 95 %) and the maximum load according to the load chart (falling load capacity) drops by continuing to luff up the boom, then the arrow **15.1** also appears and the crane movement „Luffing the main boom up“ is turned off.

If the double arrow / warning light **15.3** appears, then:

- **either** it was luffed up to a limit switch or the limit switch has turned off the crane movement „Luffing the main boom up“
- **or** there is an error on one of the limit switches „Main boom top“

The arrow **15.1** appears and the crane movement „Luffing the main boom up“ was turned off:

- ▶ Luff the main boom down.

Result:

- Crane operation is possible again.

The arrow **15.2** appears and the crane movement „Luffing the main boom down“ was turned off:

- ▶ Luff the main boom up.

Result:

- Crane operation is possible again.

The double arrow / warning light **15.3** appears and the crane movement „Luffing the main boom up“ was turned off:

- ▶ Luff the main boom down.

Result:

- Crane operation is possible again.

Problem remedy

The double arrow / warning light **15.3** appears continuously?

If a double arrow / warning light **15.3** appears without having luffed the main boom up to a limit switch, then there may be an error in the limit switches „Main boom top“.

- ▶ Check if there is an error message from the LICCON computer system, see Diagnostics manual.
- ▶ If yes: Remedy the error immediately.



WARNING

Limited warning functions!

If one of the double version limit switches is not ok and the crane is continued to be operated, then the warning functions of the LICCON overload protection are limited!

- ▶ The crane can only be operated in an emergency after failure of a double version limit switch!
- ▶ Carry out crane movements in such a way that no repeated shut off by the LICCON overload protection occurs.

3.3.2 Shut off luffing the auxiliary boom / accessory up / down



Note

- ▶ In crane operation with derrick boom, it is also shown in the icon!

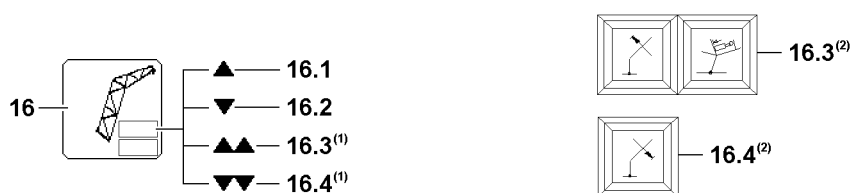


Fig. 112330

⁽¹⁾not LR 1400/2

⁽²⁾only LR 1400/2

In the icon **16** (upper field) the arrow **16.1** or arrow **16.2** appear and the LICCON overload protection has shut off the crane movement.

„Luffing the auxiliary boom / accessory up“ (arrow **16.1**) or „Luffing the auxiliary boom / accessory down“ (arrow **16.2**) was shut off because the upper / lower limit angle of the selected load chart was exceeded / fallen below.

If the double arrow / warning light **16.3** appears, then:

- **either** it was luffed up to a limit switch or the limit switch has turned off the crane movement „Luffing the auxiliary boom / accessory up“
- **or** the mechanical relapse support has turned off the crane movement „Luffing the auxiliary boom / accessory up“
- **or** there is an error on one of the limit switches „Auxiliary boom / accessory top“.

If the double arrow / warning light **16.4** appears, then:

- **either** it was luffed down to a limit switch „Auxiliary boom / accessory bottom“ and the limit switch has turned off the crane movement „Luffing the auxiliary boom / accessory up“
- **or** there is an error on one of the limit switches „Auxiliary boom / accessory bottom“

The arrow **16.1** appears and the crane movement „Luffing the auxiliary boom / accessory up“ was turned off:

- ▶ Luff the auxiliary boom / accessory down.

Result:

- Crane operation is possible again.

The arrow **16.2** appears and the crane movement „Luffing the auxiliary boom / accessory down“ was turned off:

- ▶ Luff the auxiliary boom / accessory up.

Result:

- Crane operation is possible again.

The double arrow / warning light **16.3** appears and the crane movement „Luffing the auxiliary boom / accessory up“ was turned off:

- ▶ Luff the auxiliary boom / accessory down.

Result:

- Crane operation is possible again.

Problem remedy

The double arrow / warning light **16.3** appears continuously?

If a double arrow / warning light **16.3** appears without having luffed up to a limit switch, then there may be an error in the limit switches „Auxiliary boom / accessory top“.

- ▶ Check if there is an error message from the LICCON computer system, see Diagnostics manual.
- ▶ If yes: Remedy the error immediately.

The double arrow / warning light **16.4** appears and the crane movement „Luffing the auxiliary boom / accessory down“ was turned off:

- ▶ Luff the auxiliary boom / accessory up.

Result:

- Crane operation is possible again.

Problem remedy

The double arrow / warning light **16.4** appears continuously?

If a double arrow / warning light **16.4** appears without having luffed down to a limit switch, then there may be an error in the limit switches „Auxiliary boom / accessory bottom“.

- ▶ Check if there is an error message from the LICCON computer system, see Diagnostics manual.
- ▶ If yes: Remedy the error immediately.



WARNING

Limited warning functions!

If one of the double version limit switches is not ok and the crane is continued to be operated, then the warning functions of the LICCON overload protection are limited!

- ▶ The crane can only be operated in an emergency after failure of a double version limit switch!
- ▶ Carry out crane movements in such a way that no repeated shut off by the LICCON overload protection occurs.

3.3.3 Shut off maximum / minimum value test point 1 (force F1)



Note

- ▶ The force determined on test point 1 is generally described as $F1_{\text{actual}}$ (actual value F1).
- ▶ In the icon 17 (F1-load display), the force relationship as well as the number values are shown in number values as well as a bar display (called F1-bar display).
- ▶ The value $F1_{\text{max-operation}}$ 17.3 corresponds to 100 % in the F1-bar display.
- ▶ The F1-utilization bar 17.1 shows the relationship $F1_{\text{actual}}$ 17.2 to $F1_{\text{max-operation}}$ 17.3.
- ▶ In crane operation without derrick ballast, fewer values may be shown in the icon 17 (F1-load display).

Shut off maximum value F1 in crane operation

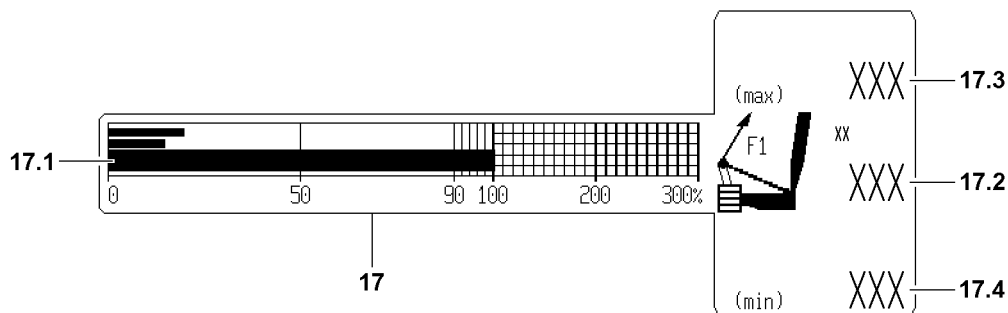


Fig. 110991

In the icon 17 (F1-load display) the F1-utilization bar 17.1 exceeds the 100 % mark and the LICCON overload protection has shut off the crane movement. The value $F1_{\text{actual}}$ 17.2 has exceeded the value $F1_{\text{max-operation}}$ 17.3.

All further movements, which lead to an increase of the force F1 (value $F1_{\text{actual}}$) are shut off.

- ▶ Reverse any crane movement which has caused the shut off.
or
Initiate an alternative crane movement, which lowers the force F1 (value $F1_{\text{actual}}$).

Result:

- Crane operation is possible again.

Problem remedy

The crane operation is limited because the value $F1_{\text{max-operation}}$ apparently is being reached too early?

- ▶ Make sure that a valid configuration status has been entered on the LICCON computer system!
- ▶ Make sure that the crane is assembled according to the assembly drawings!
- ▶ Make sure that the actual configuration status and the entered configuration status of the crane match.
- ▶ Make sure that all attachment parts and guy rods on the boom system, which are not needed, have been removed (weight)!
- ▶ Make sure that the boom system is free of snow and ice (weight)!
- ▶ Make sure that the wind influence onto the boom is not too great!

If no irregularities can be found:

- ▶ Contact LIEBHERR Service.

Shut off maximum value F1 in crane operation



Note

- ▶ A shut off minimum value F1 ($F1_{\text{min}}$) only occurs in operating modes with derrick ballast. The status $F1_{\text{actual}} = F1_{\text{min}}$ cannot be reached in all other operating modes.

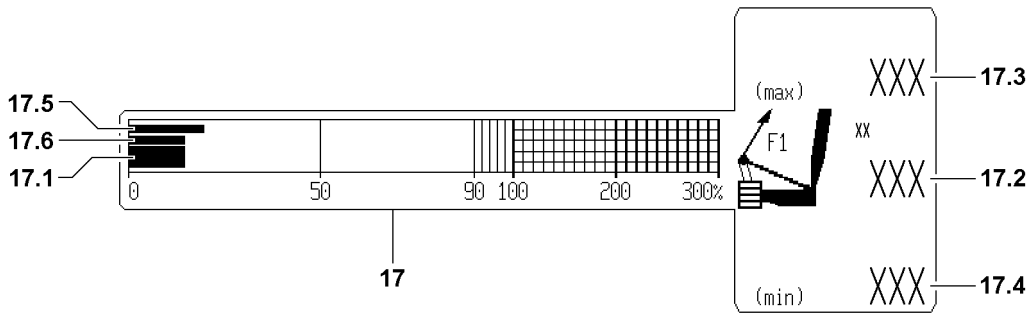


Fig.110992

In the icon **17** (F1-load display), when falling below the $F1_{\min}$ advance warning bar **17.5**, a warning of the upcoming shut off is issued by the F1-utilization bar **17.1**.

If the F1-utilization bar **17.1** falls below the $F1_{\min}$ -STOP bar **17.6**, then the LICCON overload protection shuts off the crane movement. The value $F1_{\text{actual}}$ **17.2** has fallen below the value $F1_{\min}$ **17.4**.

**Note**

Shut off $F1_{\min}$

- ▶ If the utilization of the derrick ballast is below 50 %, then there is no immediate shut off when falling below value $F1_{\min}$ **17.4**!

All further movements, which lead to an decrease of the force $F1$ (value $F1_{\text{actual}}$) are shut off.

- ▶ Reverse any crane movement which has caused the shut off.
or
Initiate an alternative crane movement, which increases the force $F1$ (value $F1_{\text{actual}}$).

Result:

- Crane operation is possible again.

Problem remedy

The crane operation is limited because the value $F1_{\min}$ apparently is being reached too early?

- ▶ Make sure that a valid configuration status has been entered on the LICCON computer system!
- ▶ Make sure that the crane is assembled according to the assembly drawings!
- ▶ Make sure that the actual configuration status and the entered configuration status of the crane match.
- ▶ Make sure that all attachment parts and guy rods on the boom system, which are not needed, have been removed (weight)!
- ▶ Make sure that the boom system is free of snow and ice (weight)!
- ▶ Make sure that the wind influence onto the boom is not too great!

If no irregularities can be found:

- ▶ Contact LIEBHERR Service.

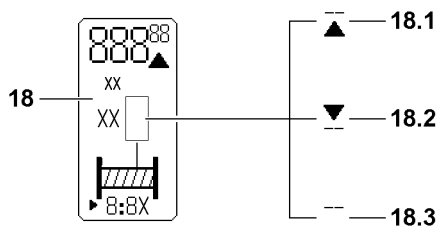
3.3.4 Shut off spooling the winch up / out

Fig.110878

In the icon **18**, the line / arrow **18.1**, arrow / line **18.2** or line / line **18.3** appears and the LICCON overload protection has shut off the crane movement.

„Spooling the winch out“ (line / arrow **18.1**) or „Spooling the winch up“ (arrow / line **18.2**) was shut off because the upper / lower limit angle of the rope for the selected winch was exceeded or fallen below.

If line / line **18.3** appears blinking in the icon **18**, then the affected winch is deactivated.

The line / arrow **18.1** appears and the crane movement „Spooling the winch out“ was turned off:

- ▶ Spool the winch up.

Result:

- Crane operation is possible again.

The arrow / line **18.2** appears and the crane movement „Spooling the winch up“ was turned off:

- ▶ Spool the winch out.

Result:

- Crane operation is possible again.

The line / line **18.3** appear and the winch is deactivated:

- ▶ Activate the winch, see Crane operating instructions, chapter 4.02.

Result:

- Crane operation is possible again.

3.3.5 Shut off hoist top

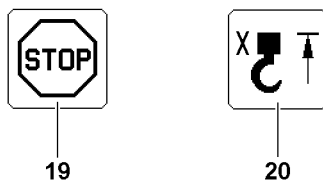


Fig.110875

The icon **19** and hoist top icon **20** appear in the LICCON monitor and the LICCON overload protection has turned off crane movement.

Spooling the hoist winch up was turned off because the hook block or the load hook has run against a hoist limit weight during the upward movement and the affected hoist limit switch was triggered.



WARNING

Property damage / falling load!

- ▶ After shut off spool hoist winch up (hoist top), for every further crane movement, the distance between the hook block / load hook and the boom head must be checked!



Note

- ▶ After a hoist top shut off occurred, further crane movements, which affect the length of the hoist rope are also shut off!

- ▶ Spool the hoist winch out.

Result:

- Crane operation is possible again.

3.3.6 Shut off due to error message

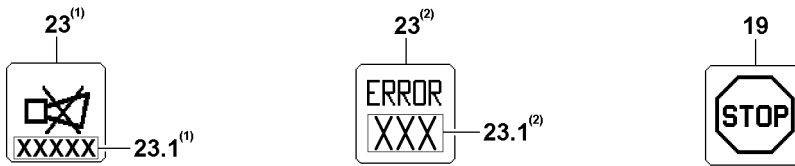


Fig.112331

⁽¹⁾not LR 1400/2

⁽²⁾only LR 1400/2

In the icon **23** appears an error message, the icon **19** appears in the LICCON monitor and the LICCON overload protection has turned off crane movement.



WARNING

Limited warning functions!

If there is a defect on a participating sensor (LMB) and the crane is continued to be operated by bypassing the sensor other otherwise, then the warning functions and the shut offs of the LICCON overload protection are deactivated!

- ▶ If there is a defect on a participating sensor (LMB), then the crane may be operated further only in emergency cases!
- ▶ Fix / replace the sensor before starting crane operation again!

- ▶ Determine the existing error with the help of the error message from the error field **23.1** in icon **23**, see Diagnostics manual.
- ▶ Remedy the error.

Problem remedy

The erection of the crane, for example after assembly on a new job site or with another equipment configuration, is not possible due to an error message?

- ▶ Evaluate the error message.
- ▶ Make sure that all electrical connections are established correctly.
- ▶ Check if all sensors or dummy plugs with integrated electric have been connected properly.

If the error cannot be remedied:

- ▶ Contact LIEBHERR Service.

3.3.7 Minimum / maximum support forces



Note

- ▶ Applies only for cranes with support force monitoring*.
- ▶ Description of support force monitoring, see Crane operating instructions, chapter 4.02.

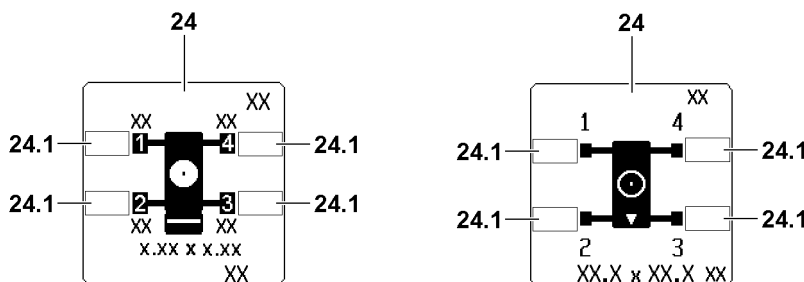


Fig.110881

**WARNING**

The crane can topple over!

When reaching the programmed minimum / maximum support forces there is no automatic shut off of crane movements!

The displayed support force values are subjected to fluctuating influences, for example crane operation, surrounding and environmental influences!

The resulting tolerance field of the determined values may not be utilized by the support force display to determine the tipping limit of the crane!

If this is disregarded, then the crane can topple over!

Personnel can be severely injured or killed!

- ▶ The displayed support force values of the support force display may not be used to utilize the crane up to the tipping limit!
- ▶ Make sure that all support force values are within the minimum / maximum support forces!

The icon **24** (depending on the crane, similar to the left or right illustration) is shown in the LICCON monitor with blinking value in one or several fields **24.1**. Blinking values in the fields **24.1** signal exceedance of the minimum / maximum support forces.

- ▶ Reverse the crane movements, which caused the support forces to be outside the minimum / maximum values.

Result:

- All values in the fields **24.1** are within the minimum / maximum support forces.
- ▶ Carry out crane movements in such a way that the support forces always remain within the minimum / maximum values.

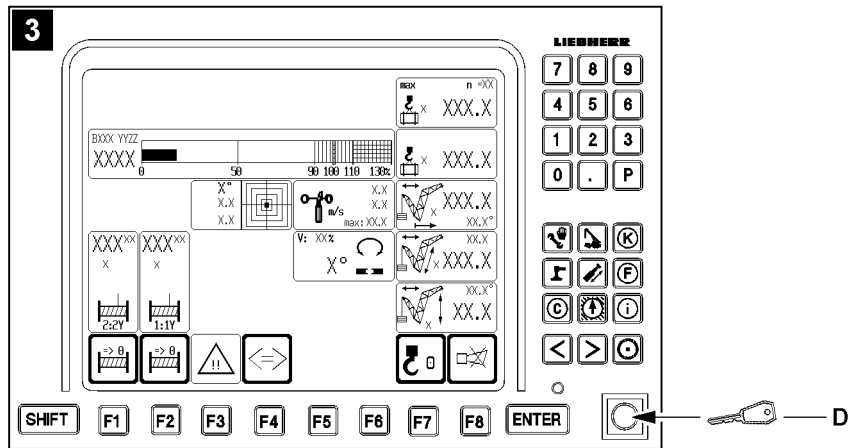
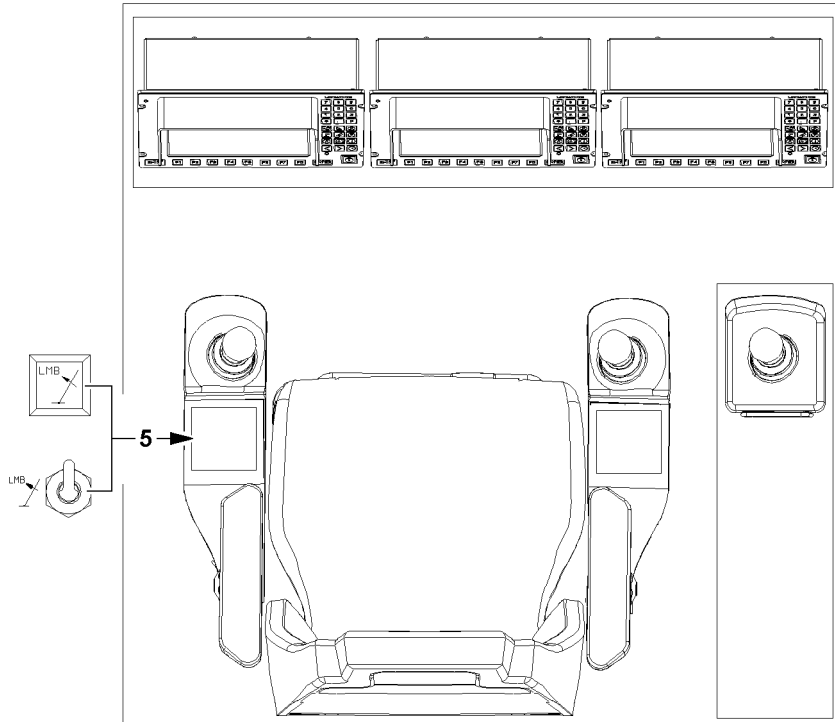


Fig.112334

LWE/LR 11350-005/19004-04-02/en

3.4 Shut off of crane movement: LMB STOP by LICCON overload protection



WARNING

Risk of overload and toppling the crane!

If the shut off limits of the LICCON overload protection are exceeded without knowing the exact cause for the shut off by the LICCON overload protection, then the crane can be overloaded and topple over! Personnel can be severely injured or killed!

- ▶ Before activating the function „Exceedance of shut off limits of the LICCON overload protection“ determine the exact cause for the shut off!



WARNING

Danger of accident due to function „Exceedance of shut off limits of the LICCON overload protection“! If the shut off limits of the LICCON overload protection are exceeded, there is no additional protection against crane overload!

Due to erroneous operation or deliberate misuse, the crane could collapse, the boom can break off or the crane can topple over!

Personnel can be severely injured or killed!

- ▶ The button **5** „Luffing in with suspended load“ and the set up key **D** may only be actuated when it is ensured that no normal operating condition (utilization below 100 % and no active shut off) can be reached without the function „Exceedance of shut off limits of the LICCON overload protection“!
- ▶ Actuate the set up key **D** only when no normal operating condition (utilization below 100 % and no active shut off) can be reached with the button **5** „Luffing in with suspended load“!
- ▶ The function „Exceedance of shut off limits of the LICCON overload protection“ is only permissible in emergencies and for assembly purposes!
- ▶ The set up key **D** may only be actuated by persons who are aware of the effects of their acts regarding the function „Exceedance of shut off limits of the LICCON overload protection“!
- ▶ The function „Exceedance of shut off limits of the LICCON overload protection“ requires the presence of an authorized person and must be performed with utmost caution!
- ▶ Crane operation with activated function „Exceedance of shut off limits of the LICCON overload protection“ is prohibited!



WARNING

Expanded working / danger zone of the crane!

Due to the function „Exceedance of shut off limits of the LICCON overload protection“ it is possible that the working / danger zone of the crane is significantly expanded!

If these circumstances are not observed, collisions and accidents can occur!

Personnel can be severely injured or killed!

- ▶ With activated function „Exceedance of shut off limits of the LICCON overload protection“ take an expanded working / danger zone of the crane into account and monitor it!

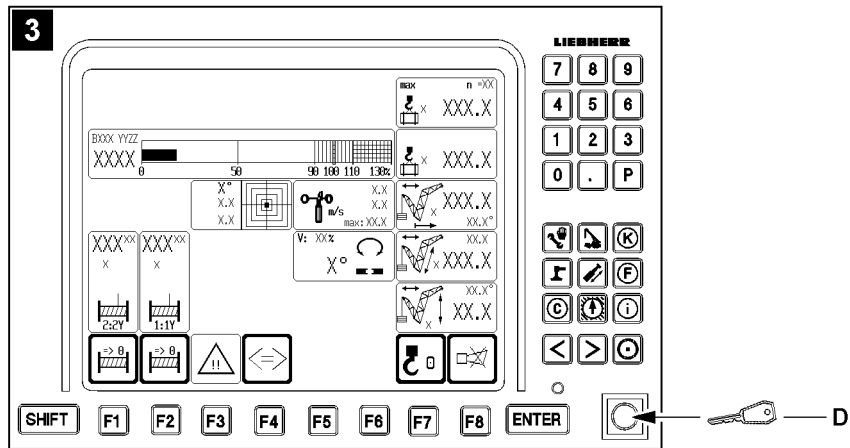
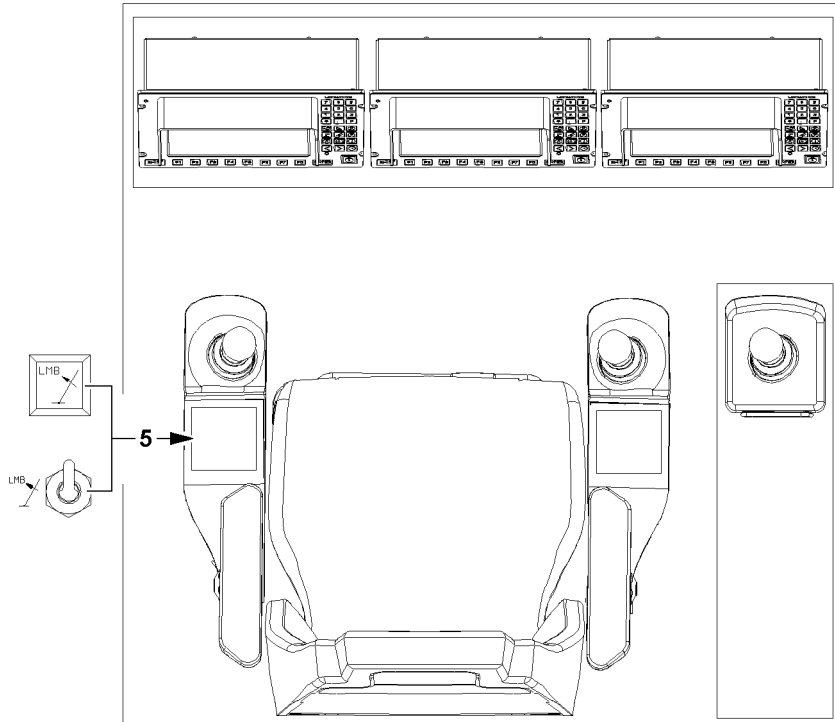


Fig.112334

**WARNING**

Overload of crane!

When taking on a load by luffing the boom up, the crane can be overloaded!

This could result in serious accidents!

- ▶ Taking on load by luffing up the boom is prohibited!
- ▶ Take on a load only with the hoist gear!

There are two possibilities to exceed the shut off limits of the LICCON overload protection after LMB STOP:

- With button **5** „Luffing in with suspended load“ in the left control console
- With the set up key **D** on the LICCON monitor with crane operating screen, see illustration **3**

NOTICE

Danger of mix up!

The function „Exceedance of shut off limits of LICCON overload protection“ can only be activated with the set up key **D** on the LICCON monitor with crane operating screen, see illustration **3**!

The key buttons on the other monitors are not assigned with this function!

- ▶ Do not mix up the set up key **D** with the other key buttons!
- ▶ In case of mix up: Deactivate the activated function!

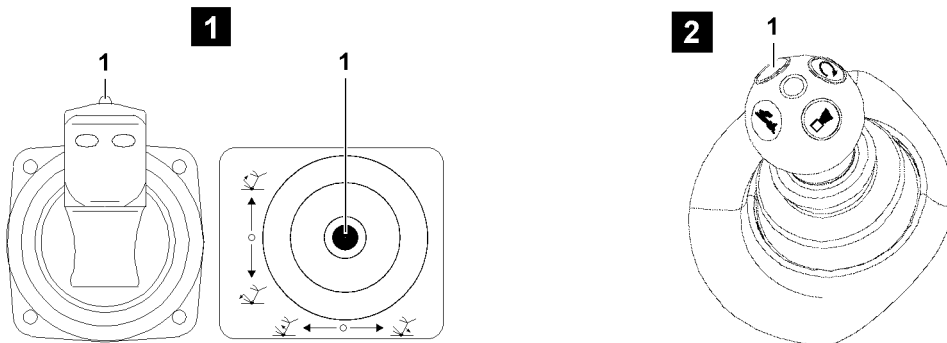
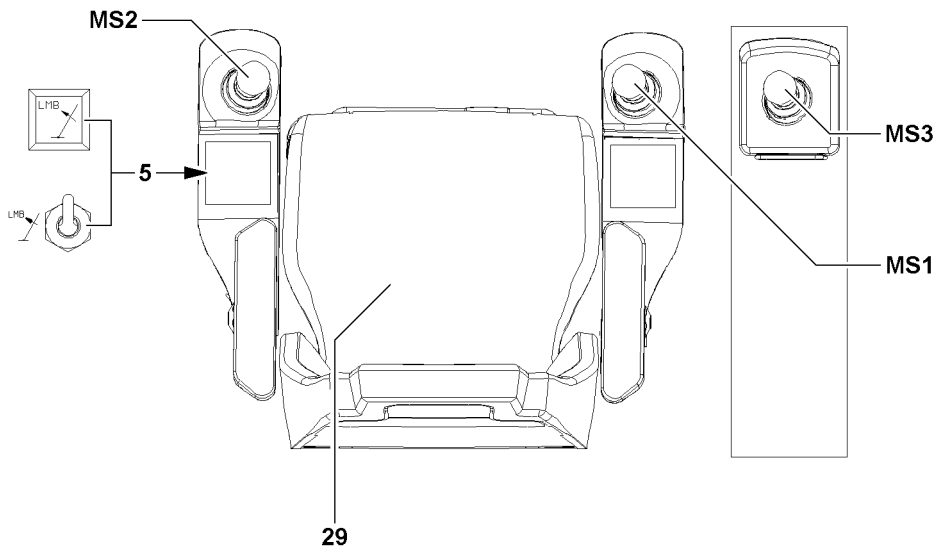
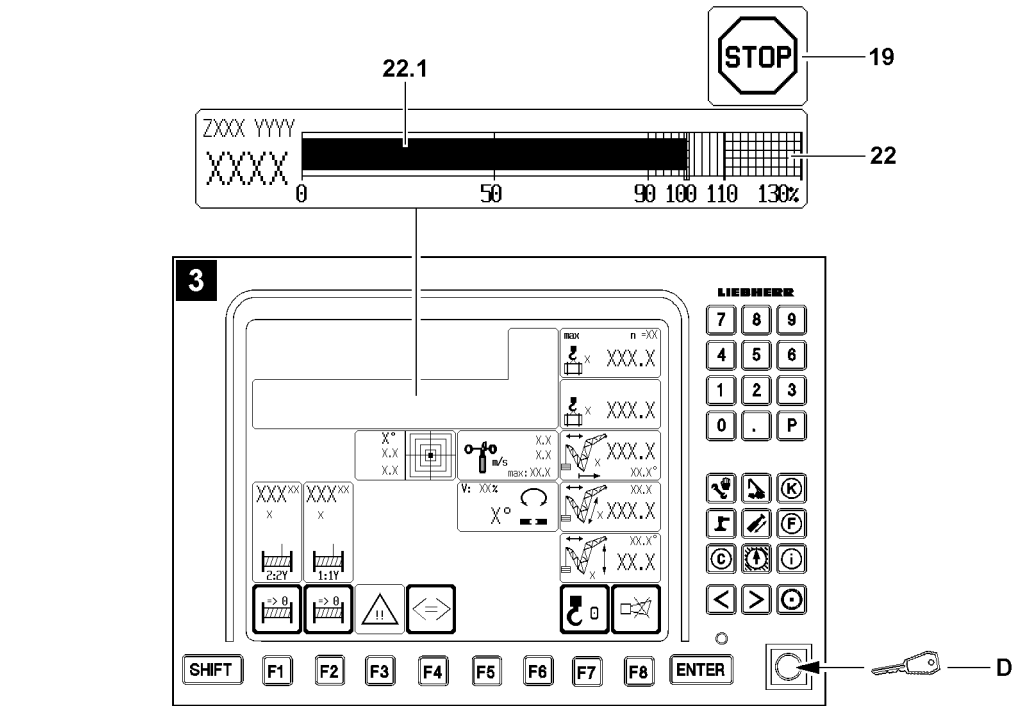


Fig.112335

3.4.1 Luffing in with suspended load

If the maximum permissible load moment is exceeded, the LICCON overload protection turns off all crane movements that increase the load moment.

In the icon **22** (load moment display) the utilization bar **22.1** has exceeded the 100 % mark and in the LICCON monitor appears the icon **19**.

This shut off limit can be exceeded by actuating the button **5** „Luffing in with suspended load“.

Make sure that the following prerequisite is met:

- Either the seat contact button **29** or one of the buttons **1** of the master switches (MS1, MS2, MS3) is actuated.



Note

- ▶ If the load is reduced by luffing up, then the button **5** „Luffing in with suspended load“ is possibly not functioning.
- ▶ For the procedure when the button **5** „Luffing in with suspended load“ is not functioning, see section „Exceedance of maximum permissible load moment“.

-
- ▶ Press the function key **5** „Luffing in with suspended load“ and hold it.

Result:

- The LICCON overload protection is inactive.

- ▶ Luff the load in.

Result:

- If the crane reaches a normal operation status (utilization below 100 % and no active shut off) then the icon **19** turns off, normal crane operation is possible again.

The function „Luffing in with suspended load“ is deactivated:

- When the function key **5** „Luffing in with suspended load“ is not longer actuated.
- When neither the seat contact button **29** nor one of the buttons **1** of the master switches (MS1, MS2, MS3) is actuated.
- At engine stop.

The function „Luffing in with suspended load“ is deactivated:

- The LICCON overload protection is active.
- ▶ Carry out crane movements in such a way that no repeated shut off by the LICCON overload protection occurs.

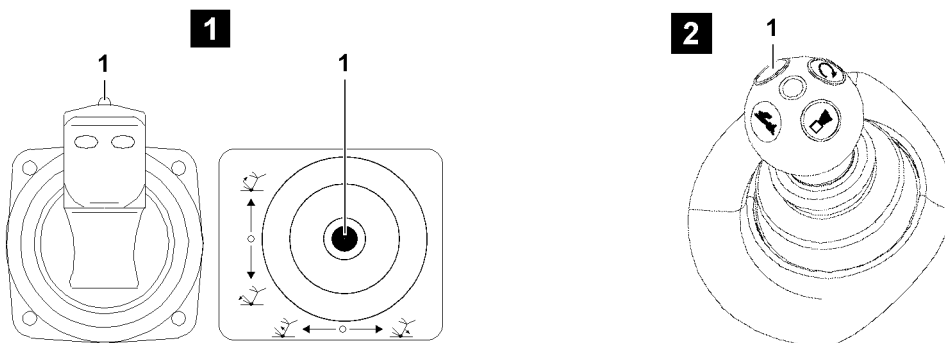
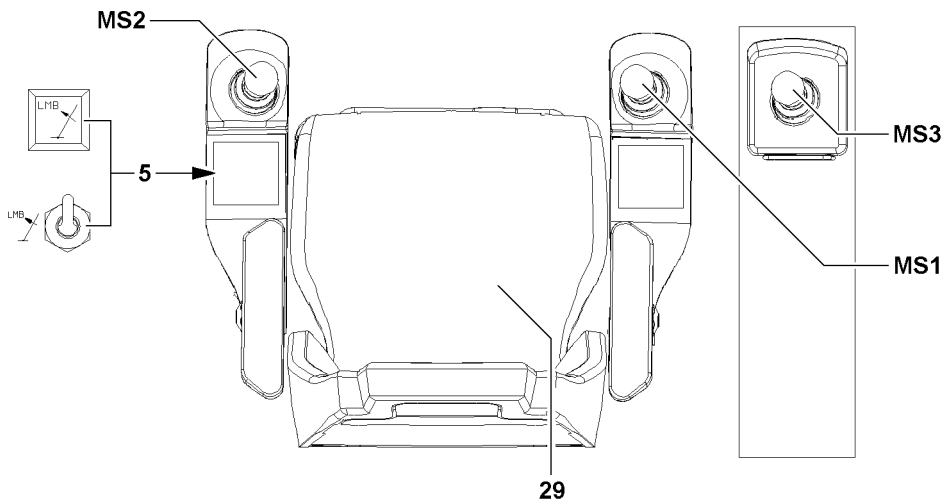
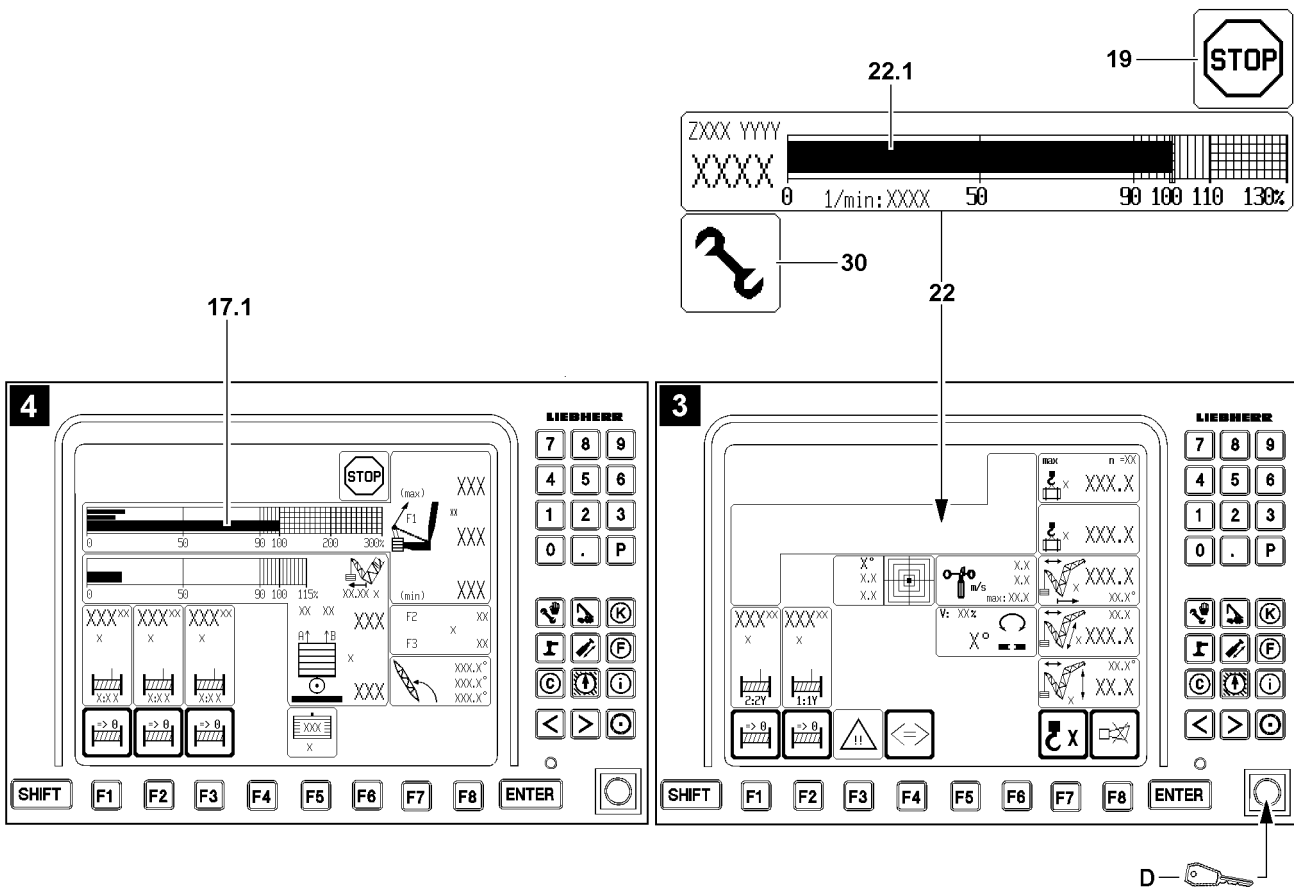


Fig.112336

3.4.2 Exceedance of the maximum permissible load moment

If the maximum permissible load moment is exceeded, the LICCON overload protection turns off all crane movements that increase the load moment.

In the icon **22** (load moment display) the utilization bar **22.1** has exceeded the 100 % mark and in the LICCON monitor appears the icon **19**.

This shut off can be exceeded by the configuration button **D** in the „right touching“ position.



WARNING

Shut off safety device!

If the function „Exceedance of shut off limits of LICCON overload protection“ is activated by actuating the set up key **D** then it is possible to exceed the maximum permissible load moment! The function „Exceedance of maximum value test point 1“ is automatically activated too. Thus there is no shut off when exceeding the maximum value test point 1!

- ▶ All notes regarding the function „Exceedance of shut off limits of LICCON overload protection“ must be observed!
- ▶ The utilization bar $F1_{\text{actual}}$ **17.1** of the F1 load display must be observed!



Note

- ▶ In emergency situations, the function „Exceedance of shut off limits of the LICCON overload protection“ can be activated with the set up key **D** and the maximum permissible load moment of 100 % can be exceeded.

The set up key **D** on the LICCON monitor has two positions:

- Operating position (not pressed): Crane is in normal operation.
- Position to right (touching): The function „Exceedance of shut off limits of the LICCON overload protection“ is activated, the assembly icon **30** appears in the LICCON monitor.

Make sure that the following prerequisites are met:

- With the button **5** „Luffing in with suspended load“ no normal operating condition (utilization below 100 % and no active shut off) can be reached.
 - All master switches (MS1, MS2, MS3) are in zero position (not deflected).
 - Either the seat contact button **29** or one of the buttons **1** of the master switches (MS1, MS2, MS3) is actuated.
 - Radio operation* is not active.
- ▶ Turn the set up key **D** to the right (touching).

Result:

- The LICCON overload protection is inactive.
- The assembly icon **30** appears in the LICCON monitor.

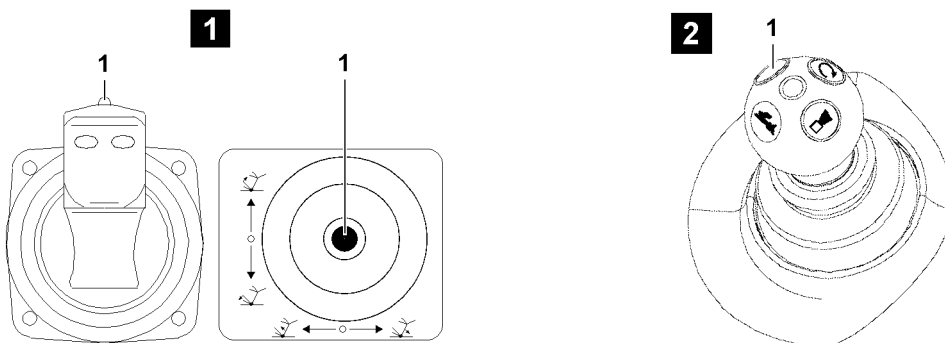
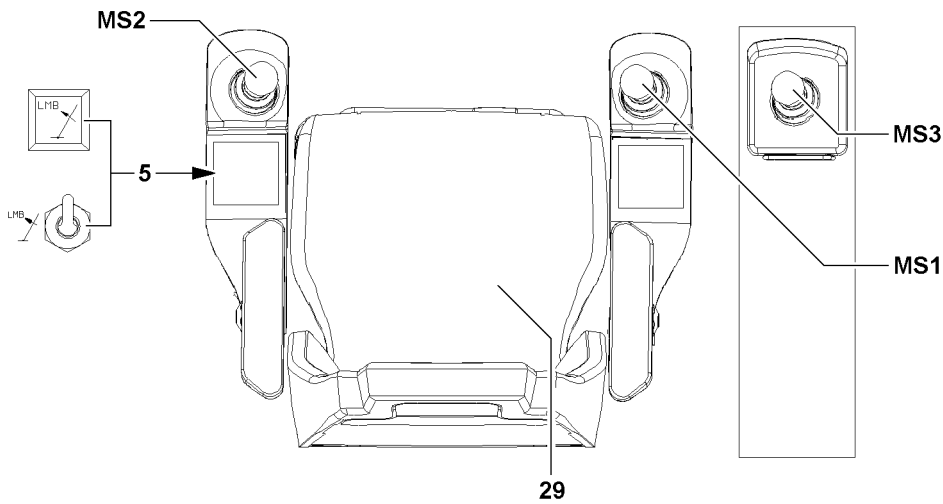
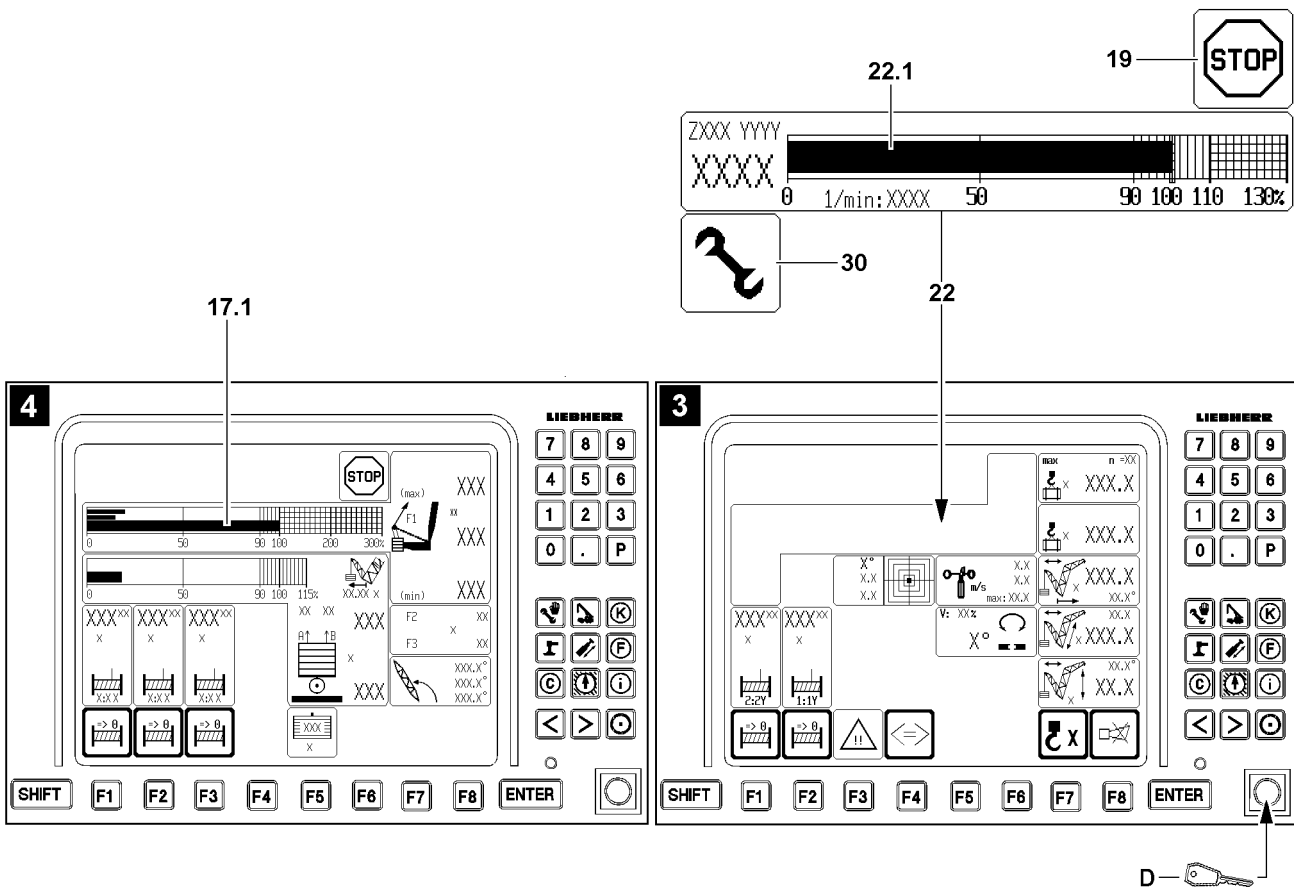


Fig.112336

LWE/LR 11350-005/19004-04-02/en

- ▶ Initiate crane movements which directly lead to a normal operating status (utilization below 100 % and no active shut off).

Result:

- If a crane reaches a normal operation status (utilization below 100 % and no active shut off), then the function „Exceedance of shut off limits of the LICCON overload protection“ shuts off, the assembly icon **30** and icon **19** in the LICCON monitor turn off.

In addition, the function „Exceedance of shut off limits of LICCON overload protection“ turns off immediately:

- If the set up key **D** is actuated again.
- If all master switches (MS1, MS2, MS3) are in neutral position for 10 seconds (with load chart available).
- When neither the seat contact button **29** nor one of the buttons **1** of the master switches (MS1, MS2, MS3) is actuated.
- If radio operation* is activated.
- At engine stop.
- At hoist top shut off.
- When leaving the angle range of the load chart.



Note

- ▶ The function „Exceedance of shut off limits of the LICCON overload protection“ is only turned off when the assembly icon **30** in the LICCON monitor turns off.
- ▶ If the function „Exceedance of shut off limits of the LICCON overload protection“ does not turn off after pressing the set up key **D** once, then press the set up key **D** again until the assembly icon **30** in the LICCON monitor turns off.

The function „Exceedance of shut off limits of the LICCON overload protection“ has / was shut off:

- The assembly icon **30** in the LICCON monitor turns off.
- ▶ Make sure that the assembly icon **30** does no longer appear in the LICCON monitor.
- ▶ Carry out crane movements in such a way that no repeated shut off by the LICCON overload protection occurs.

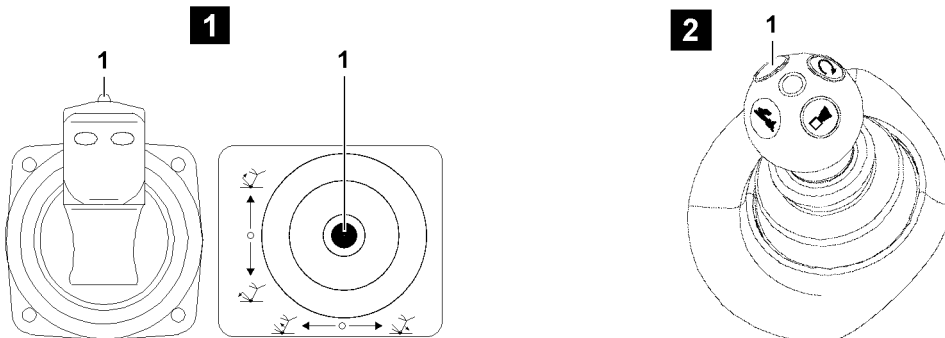
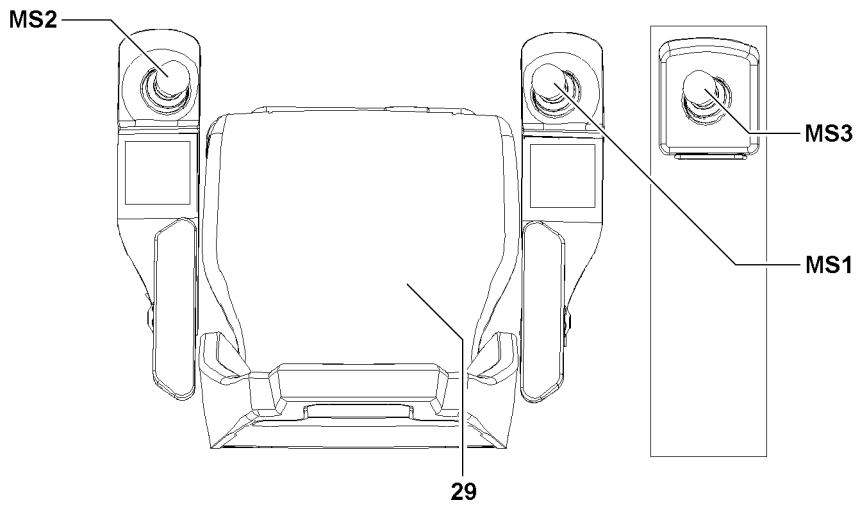
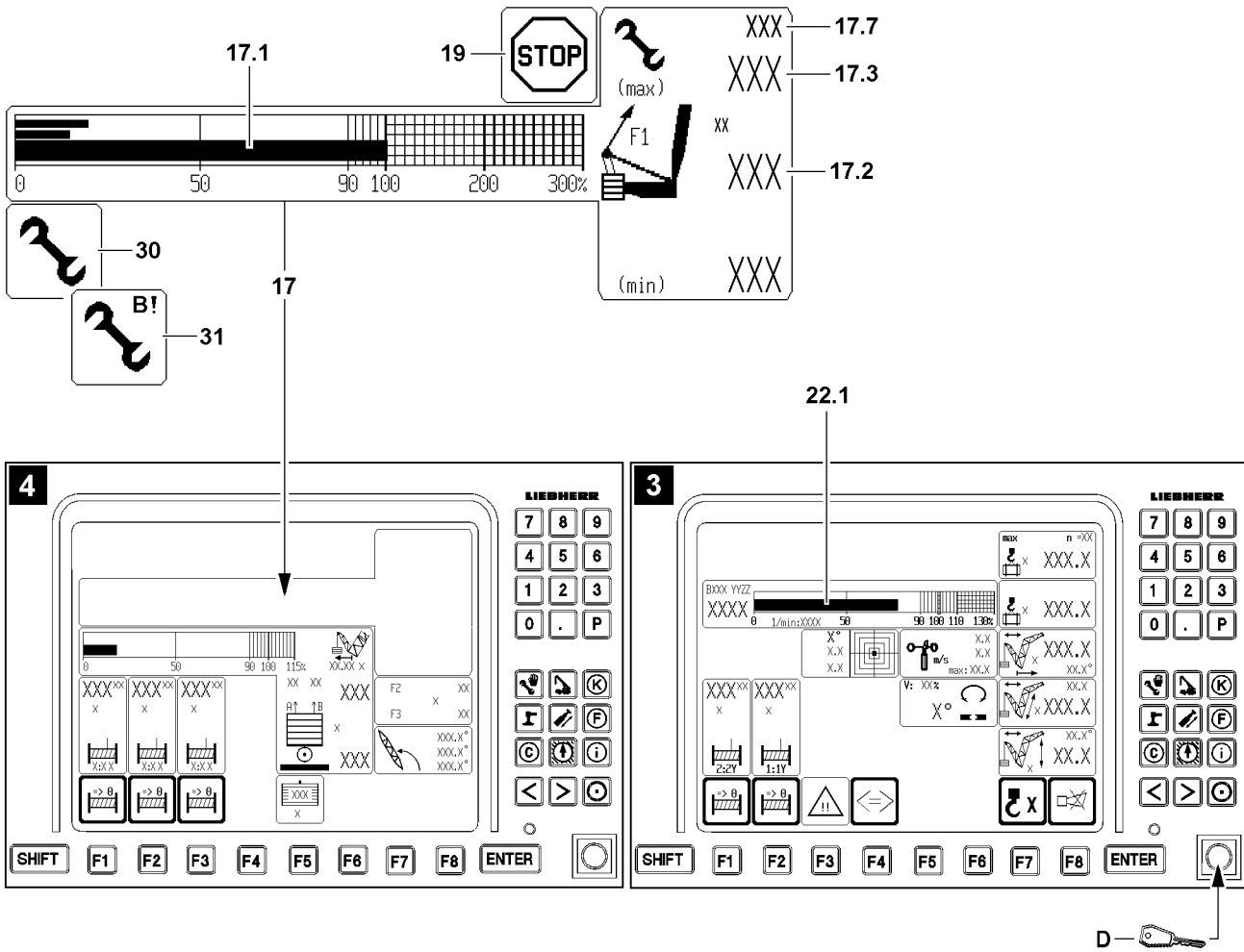


Fig.112337

3.4.3 Exceedance of maximum value test point 1 (force F1) in crane operation



WARNING

Leaving the load chart with load on hook!

If, by actuating the set up key **D**, the shut off is bypassed by value $F1_{\text{max-operation}}$ **17.3** and exceeded by more than 110 %, then the crane is in assembly operation, the assembly icon **31** appears in the LICCON monitor!

There is no load chart available any longer and various display values may not be shown any longer in the crane operating screen!

The load on the hook is no longer monitored by the load chart!

Severe accidents due to crane overload can result!

Personnel can be severely injured or killed!

▶ In assembly operation, the data in the erection / take down charts is binding!



WARNING

Shut off safety device!

If, by actuating the set up key **D**, the function „Exceedance of maximum value test point 1“ is activated, then the function „Exceedance of shut off limits of LICCON overload protection“ is also activated automatically. Thus there is no shut off if the maximum permissible load moment is exceeded!

▶ All notes regarding the function „Exceedance of shut off limits of LICCON overload protection“ must be observed!

▶ The utilization bar **22.1** of the load moment display must be observed!



Note

▶ The force determined on test point 1 is generally described as $F1_{\text{actual}}$ (actual value F1).

▶ In the icon **17** (F1-load display), the force relationship as well as the number values are shown in number values as well as a bar display (called F1-bar display).

▶ The value $F1_{\text{max-operation}}$ **17.3** corresponds to 100 % in the F1-bar display.

▶ The F1-utilization bar **17.1** shows the relationship $F1_{\text{actual}}$ **17.2** to $F1_{\text{max-operation}}$ **17.3**.

▶ In crane operation without derrick ballast, fewer values may be shown in the icon **17** (F1-load display).

▶ If the actual load is **larger** than the permissible hook block weight according to the erection / take down charts, then it can be exceeded up to maximum 110 % of $F1_{\text{max-operation}}$ **17.3**!

▶ If the actual load is **smaller** than the permissible hook block weight according to the erection / take down charts, then the assembly operation becomes active above 110 % of $F1_{\text{max-operation}}$ **17.3**. In assembly operation, there is no load chart available!

▶ The value $F1_{\text{max-assembly}}$ **17.7** appears in crane operation when 90 % of its nominal value is exceeded!

In the icon **17**(F1 load display) the utilization bar $F1_{\text{actual}}$ **17.1** exceeds the 100 % mark and the LICCON overload protection has shut off the crane movement. The value $F1_{\text{actual}}$ **17.2** has exceeded the value $F1_{\text{max-operation}}$ **17.3**.

All further movements, which lead to an increase of the force (value $F1_{\text{actual}}$) are shut off.

In the LICCON monitor with the derrick operating screen (illustration **4**) appears the icon **19**.

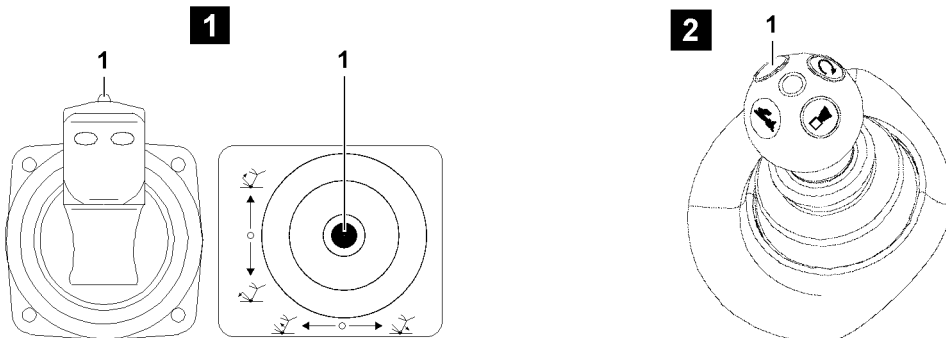
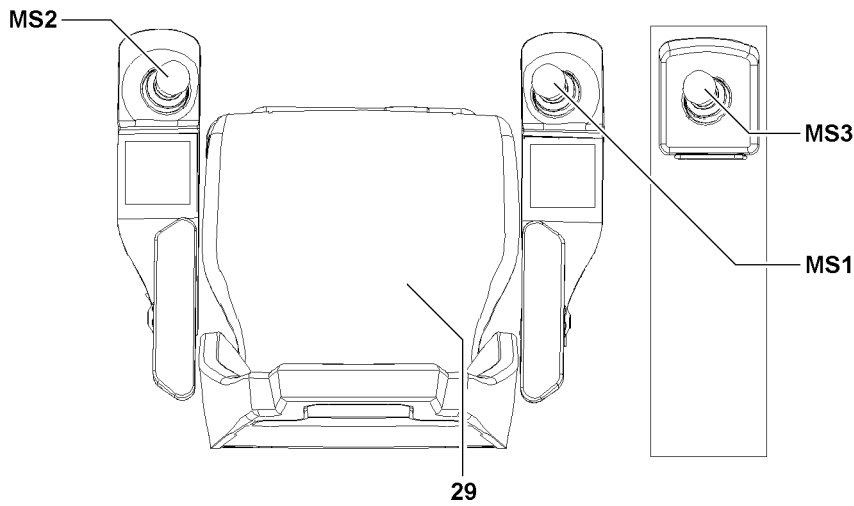
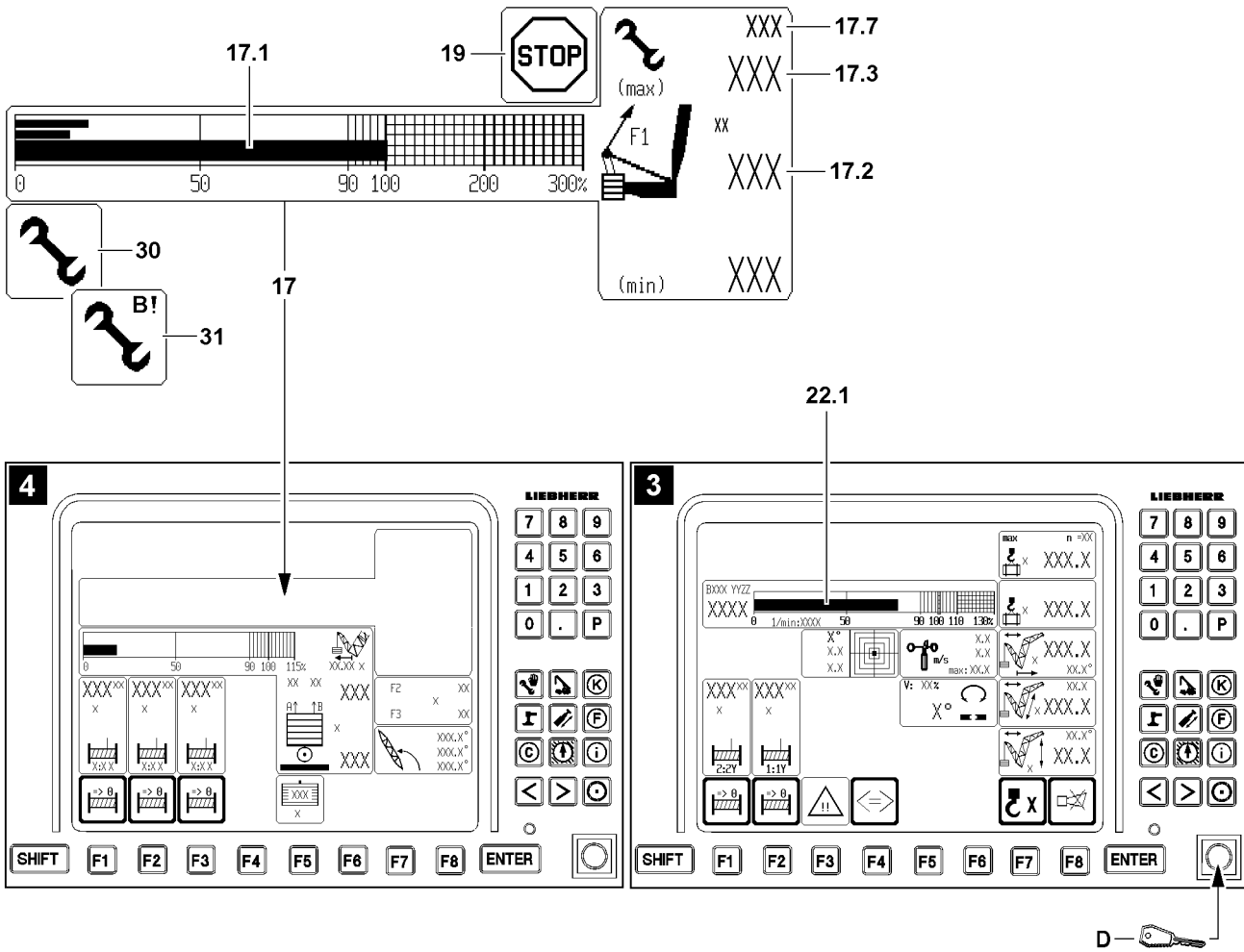


Fig.112337

LWE/LR 11350-005/19004-04-02/en

Make sure that the following prerequisites are met:

- All master switches (MS1, MS2, MS3) are in zero position (not deflected).
 - Either the seat contact button **29** or one of the buttons **1** of the master switches (MS1, MS2, MS3) is actuated.
 - Radio operation* is not active.
 - The F1 load display 110 % has not been reached and a load chart is available.
- ▶ Turn the set up key **D** to the right (touching).

Result:

- The function „Exceedance of maximum value test point 1“ is activated in connection with the function „Exceedance of the shut off limits of the LICCON overload protection“.
- $F1_{\text{max-operation}}$ **17.3** can be exceeded.

The function „Exceedance of shut off limits of the LICCON overload protection“ in connection with the function „Exceedance of the maximum value test point 1“ also shuts off immediately:

- If the set up key **D** is actuated again.
- If all master switches (MS1, MS2, MS3) are in neutral position for 10 seconds (with load chart available).
- When neither the seat contact button **29** nor one of the buttons **1** of the master switches (MS1, MS2, MS3) is actuated.
- If radio operation* is activated.
- At engine stop.
- At hoist top shut off.



Note

- ▶ The function „Exceedance of shut off limits of the LICCON overload protection“ is only turned off when the assembly icon **30** in the LICCON monitor turns off.
- ▶ If the function „Exceedance of shut off limits of the LICCON overload protection“ does not turn off after pressing the set up key **D** once, then press the set up key **D** again until the assembly icon **30** in the LICCON monitor turns off.

The function „Exceedance of shut off limits of the LICCON overload protection“ has / was shut off:

- The assembly icon **30** in the LICCON monitor turns off.
 - The working speed is reduced until all master switches (MS1, MS2, MS3) are in zero position at the same time.
- ▶ Make sure that the assembly icon **30** does no longer appear in the LICCON monitor.
- ▶ Carry out crane movements in such a way that no repeated shut off by the LICCON overload protection occurs.

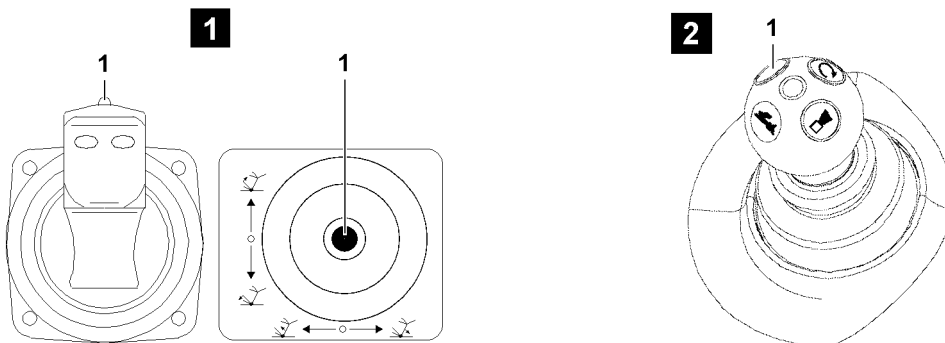
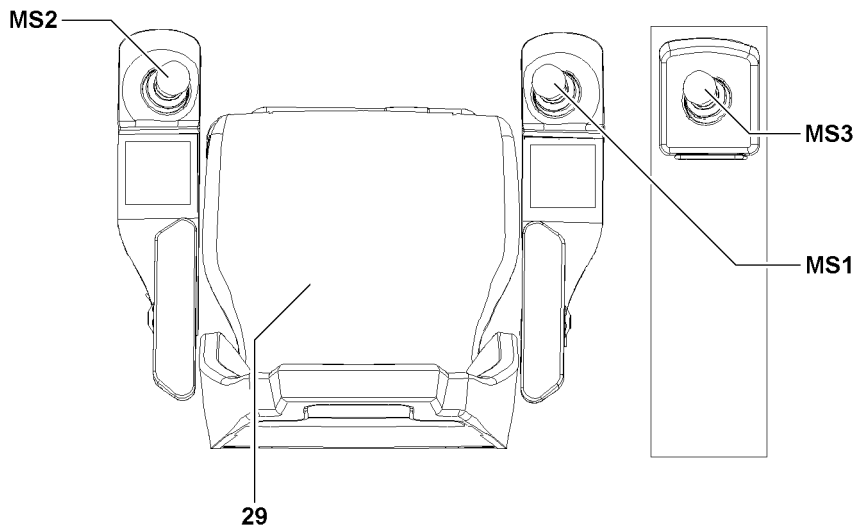
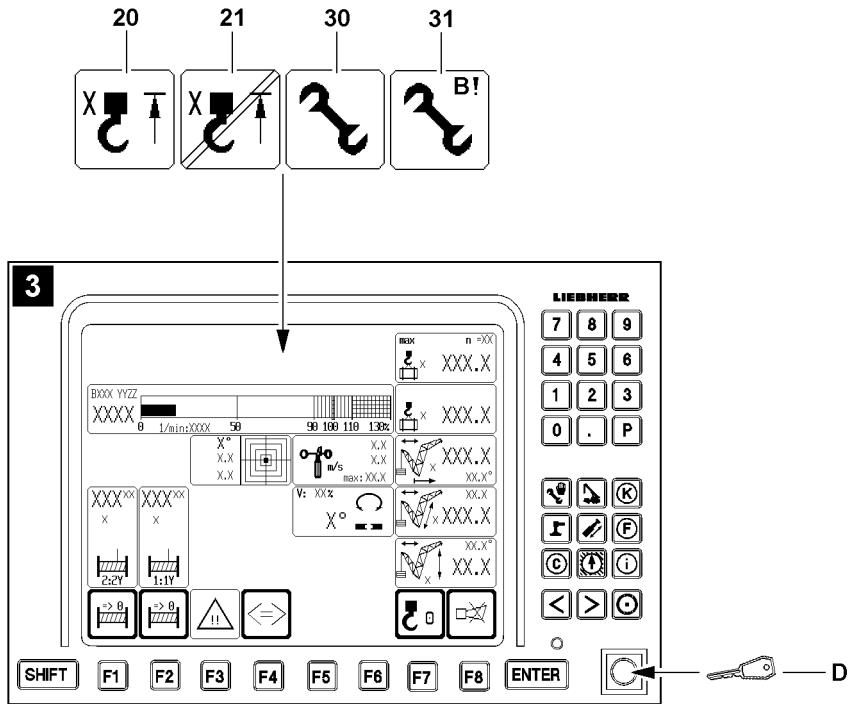


Fig.111230

3.5 Bypass of the hoist top shut off



WARNING

Improper use of the function „Bypass of hoist top shut off“!

- ▶ The function „Bypass of hoist top shut off“ may never be used to increase the lifting height during crane operation!



WARNING

Property damage and falling load!

If the function „Bypass of hoist top shut off“ is activated, there is the danger that the hook block or the load hook is pulled against the pulley head!

This danger exists especially when the hoist winch is continued to be spooled up and for crane movements which have an influence on the hoist rope, for example luffing the boom, the auxiliary boom / accessory or the derrick boom!

Property damage and falling load can result!

Personnel can be severely injured or killed!

- ▶ The function „Bypass of hoist top shut off“ may only be carried out by an authorized person, along with a guide. The guide must be in direct contact with the crane operator and must continually monitor the distance between the hook block / load hook and the boom head!
- ▶ Carry out all crane movements with utmost caution!



Note

- ▶ The activation of the function „Bypass of hoist top shut off“ is only possible if the hoist limit switch was touched and the hoist top shut off has occurred.
- ▶ If the hoist limit switch is triggered when the set up key **D** is actuated (function „Exceedance of shut off limits of the LICCON overload protection“ is active, the assembly icon **30** or the assembly icon **31** appear), then a hoist top shut off occurs and the function „Exceedance of shut off limits of the LICCON overload protection“ is deactivated.
- ▶ For assembly purposes or in emergency cases, if the activation of the function „Bypass of hoist top shut off“ **and** activation of the function „Exceedance of shut off limits of the LICCON overload protection“ is necessary, then the set up key **D** must be actuated until the icon **21** and assembly icon **30** or assembly icon **31** (assembly operation) appear.

Make sure that the following prerequisites are met:

- A hoist top shut off has occurred, the hoist top icon **20** appears in the LICCON monitor.
- Either the seat contact button **29** or one of the buttons **1** of the master switches (MS1, MS2, MS3) is actuated.
- All master switches (MS1, MS2, MS3) are in zero position (not deflected).
- The radio operation* is not active.

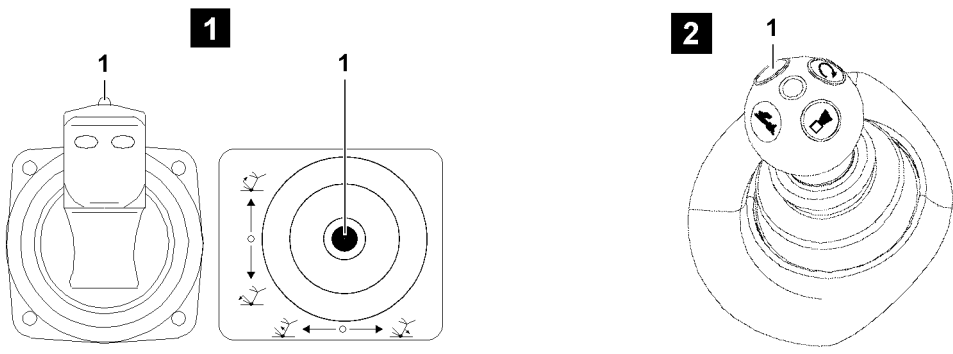
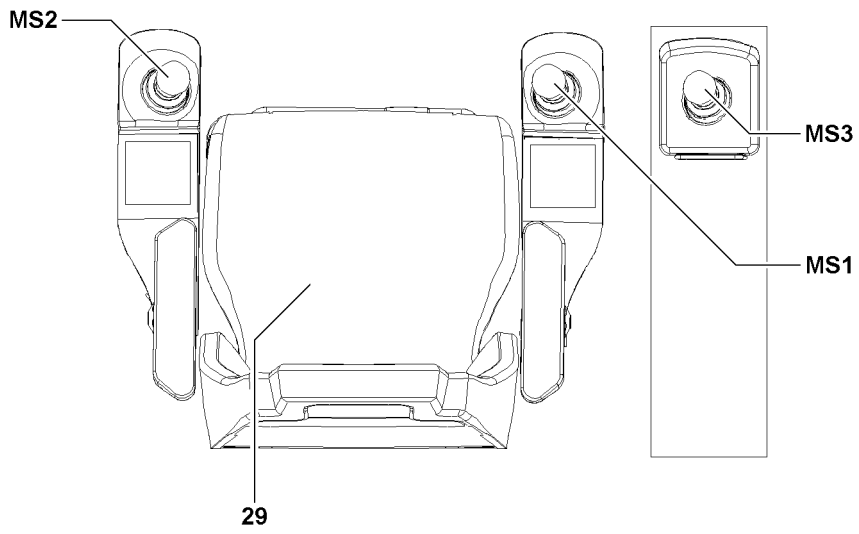
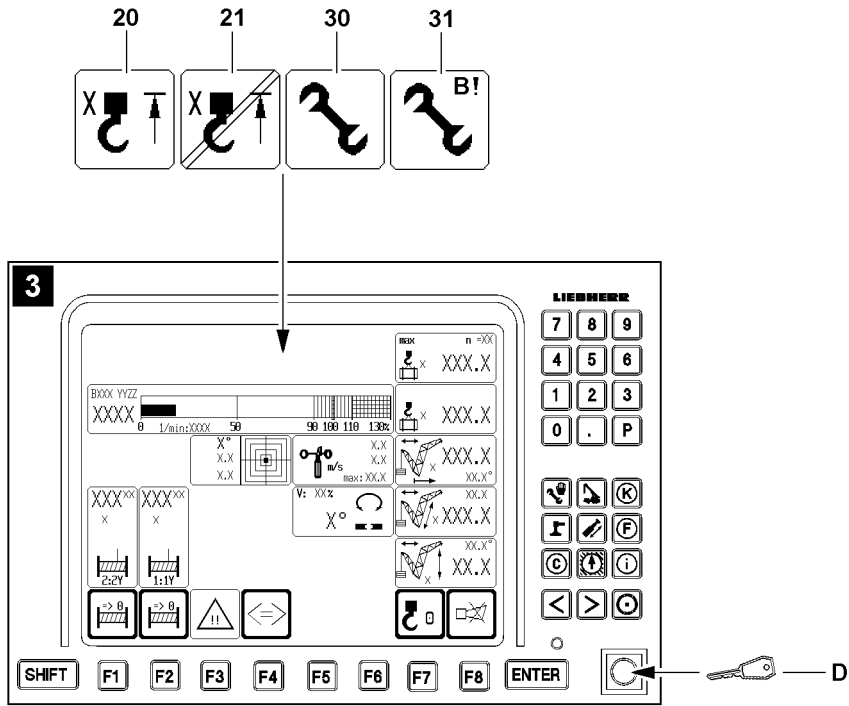


Fig.111230

LWE/LR 11350-005/19004-04-02/en

- ▶ Turn the set up key **D** to the right (touching).

Result:

- The assembly icon **30** or the assembly icon **31** (assembly operation) appear in the LICCON monitor.
 - The hoist top icon **20** in the LICCON monitor changes to the icon **21**.
 - All hoist limit switches are bypassed.
- ▶ Carry out a crane movement with bypassed hoist limit switches with utmost caution and by taking the safety guidelines into account.

The function „Bypass of the hoist top shut off“ turns off:

- If the set up key **D** is actuated again.
- When no master switch (MS1, MS2, MS3) was deflected for 10 seconds.
- When neither the seat contact button **29** nor one of the buttons **1** of the master switches (MS1, MS2, MS3) is actuated.
- If there is no longer a shut off of a hoist limit switch.
- If the radio operation* is active.
- At engine stop.

The function „Bypass of the hoist top shut off“ has / was turned off:

- The assembly icon **30** or the assembly icon **31** (assembly operation) in the LICCON monitor turn off.
 - The icon **21** on the LICCON monitor turns off.
- ▶ Make sure that the assembly icon **30** or the assembly icon **31** (assembly operation) as well as the icon **21** no longer appear in the LICCON monitor.
 - ▶ Carry out the crane movements in such a way that no repeated hoist top shut off occurs.

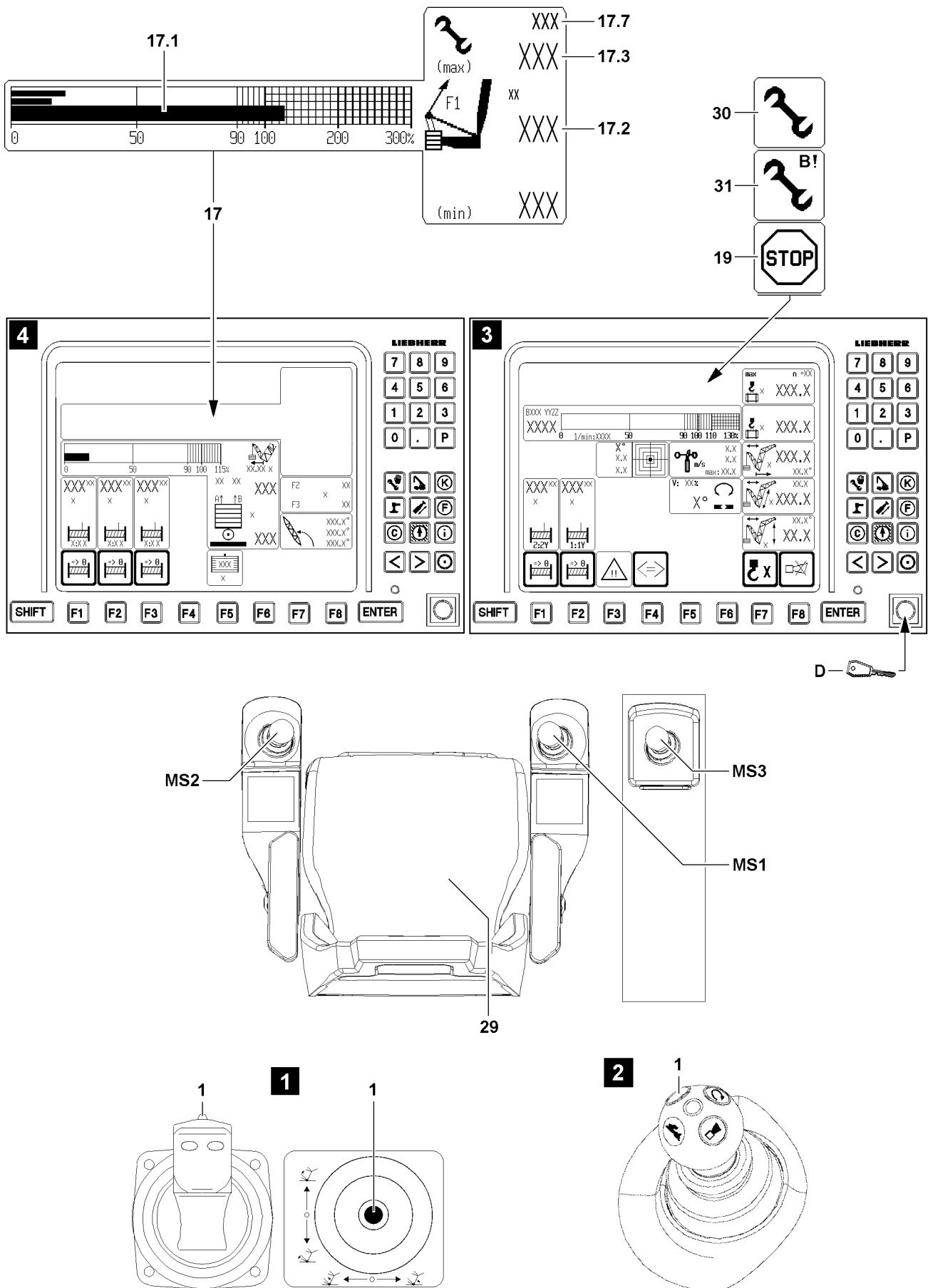


Fig.112343

LWE/LR 11350-005/19004-04-02/en

3.6 Exceeding the shut off limits of the LICCON overload protection during erection / take down procedures (assembly operation)



Note

- ▶ If the crane is in the area „No load chart available“ then there is a shut off of the crane control by the LICCON overload protection. The icon **19** appears in the LICCON monitor.
- ▶ By an actuated set up key **D**, the function „Exceedance of shut off limits of the LICCON overload protection“ can be activated, all erection / take down procedures can be carried out within the erection / take down charts, for which no load charts are available.



WARNING

Danger of accident during erection / take down procedures!

If the erection / take down charts are not observed, the crane could collapse, the boom can break off or the crane can topple over!

Personnel can be severely injured or killed!

- ▶ The erection / take down charts must be observed!
- ▶ Press the set up key **D** only when the configuration status has been entered correctly in the LICCON computer system and matches the actual situation!



Note

- ▶ The force determined on test point 1 is generally described as $F1_{\text{actual}}$ (actual value F1).
- ▶ In the icon **17** (F1-load display), the force relationship as well as the number values are shown in number values as well as a bar display (called F1-bar display).
- ▶ The value $F1_{\text{max-operation}}$ **17.3** corresponds to 100 % in the F1-bar display.
- ▶ The F1-utilization bar **17.1** shows the relationship $F1_{\text{actual}}$ **17.2** to $F1_{\text{max-operation}}$ **17.3**.
- ▶ In crane operation without derrick ballast, fewer values may be shown in the icon **17** (F1-load display).
- ▶ If a load chart is available, then the value $F1_{\text{max-operation}}$ **17.3** is valid as the limit value for a shut off of crane operation.
- ▶ When leaving the area „Load chart available“, the assembly icon **30** turns off and the assembly icon **31** appears!
- ▶ When leaving the area „Load chart available“ then $F1_{\text{max-assembly}}$ **17.7** is valid as the upper limit value!
- ▶ $F1_{\text{max-assembly}}$ **17.7** might only appear when 90 % of its nominal value is exceeded!

3.6.1 Carrying out erection procedures (assembly operation)

Make sure that the following prerequisites are met:

- All master switches (MS1, MS2, MS3) are in zero position (not deflected).
- Either the seat contact button **29** or one of the buttons **1** of the master switches (MS1, MS2, MS3) is actuated.
- Radio operation* is not active.
- The set up configuration corresponds to the erection / take down charts.
- The set up configuration has been entered correctly into the LICCON computer system.

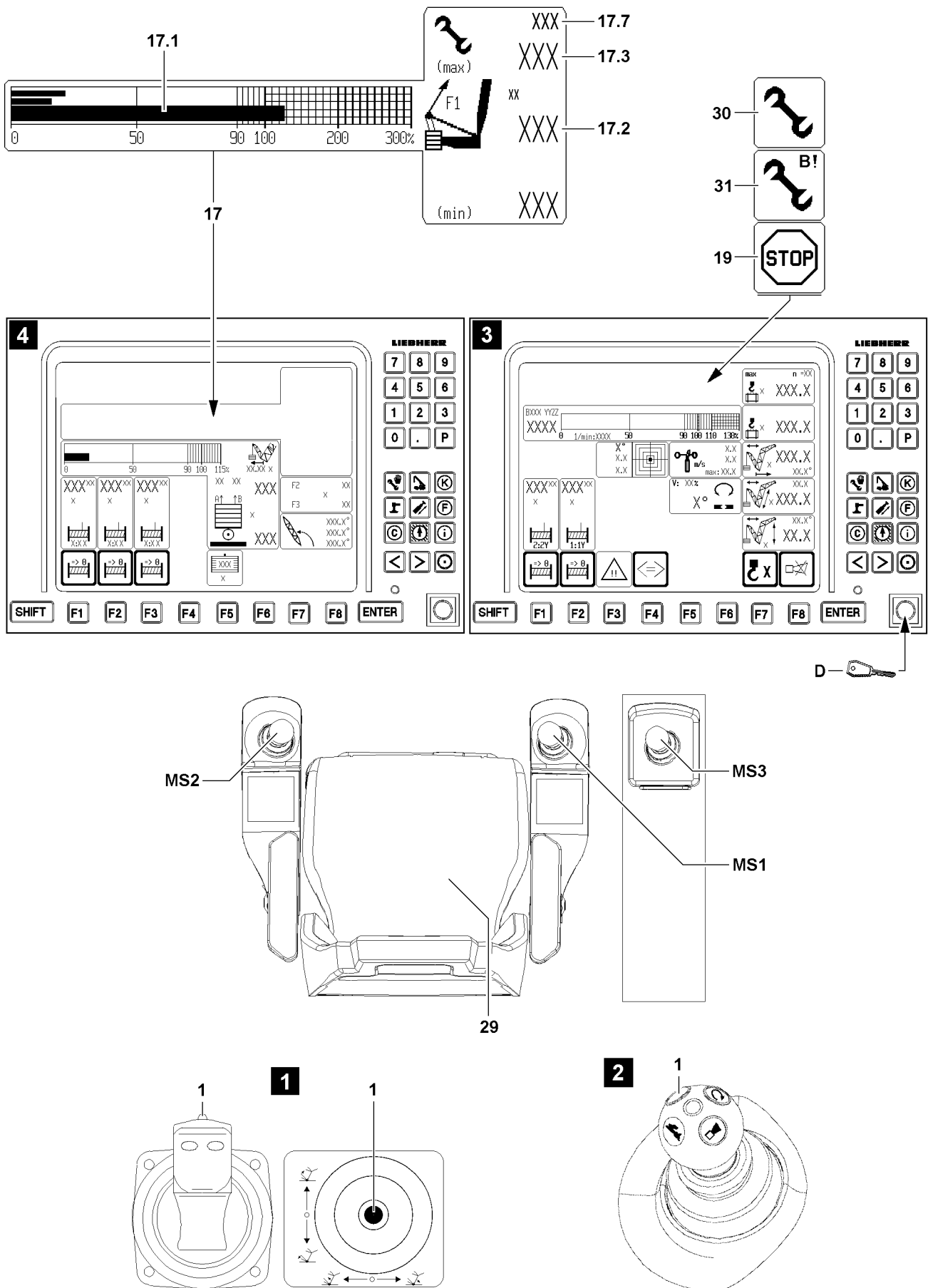


Fig.112343

- ▶ Turn the set up key **D** to the right (touching).

Result:

- The assembly icon **31** appears in the area „No load chart available“.
- The erection / take down procedures can be carried out.
- ▶ Watch the icon **17** (F1-load display), the value $F1_{\text{actual}}$ **17.2** may not exceed the value $F1_{\text{max-assembly}}$ **17.7**.

Problem remedy

The erection / take down procedure cannot be carried out due to shut off „ $F1_{\text{max-assembly}}$ **17.7** exceeded“?

- ▶ See section „Danger of exceeding $F1_{\text{max-assembly}}$ “.
-

Problem remedy

The function „Exceedance of shut off limits of the LICCON overload protection“ can not be activated during erection / take down procedures?

- ▶ Check the error messages.
 - ▶ Check the electrical connections.
 - ▶ Check if all sensors or dummy plugs with integrated electric have been connected properly.
-

The function „Exceedance of shut off limits of the LICCON overload protection“ turns off:

- If the set up key **D** is actuated again.
- When an area with existing load chart is reached (erection procedure).
- If all master switches (MS1, MS2, MS3) are in neutral position for 10 seconds (with „Load chart available“).
- When neither the seat contact button **29** nor one of the buttons **1** of the master switches (MS1, MS2, MS3) is actuated.
- At engine stop.

The function „Exceedance of shut off limits of the LICCON overload protection“ has / was shut off:

- The assembly icon **30** or the assembly icon **31** in the LICCON monitor turns off.
- ▶ After completion of the erection / take down procedures, make sure that the assembly icon **30** or the assembly icon **31** no longer appear in the LICCON monitor.

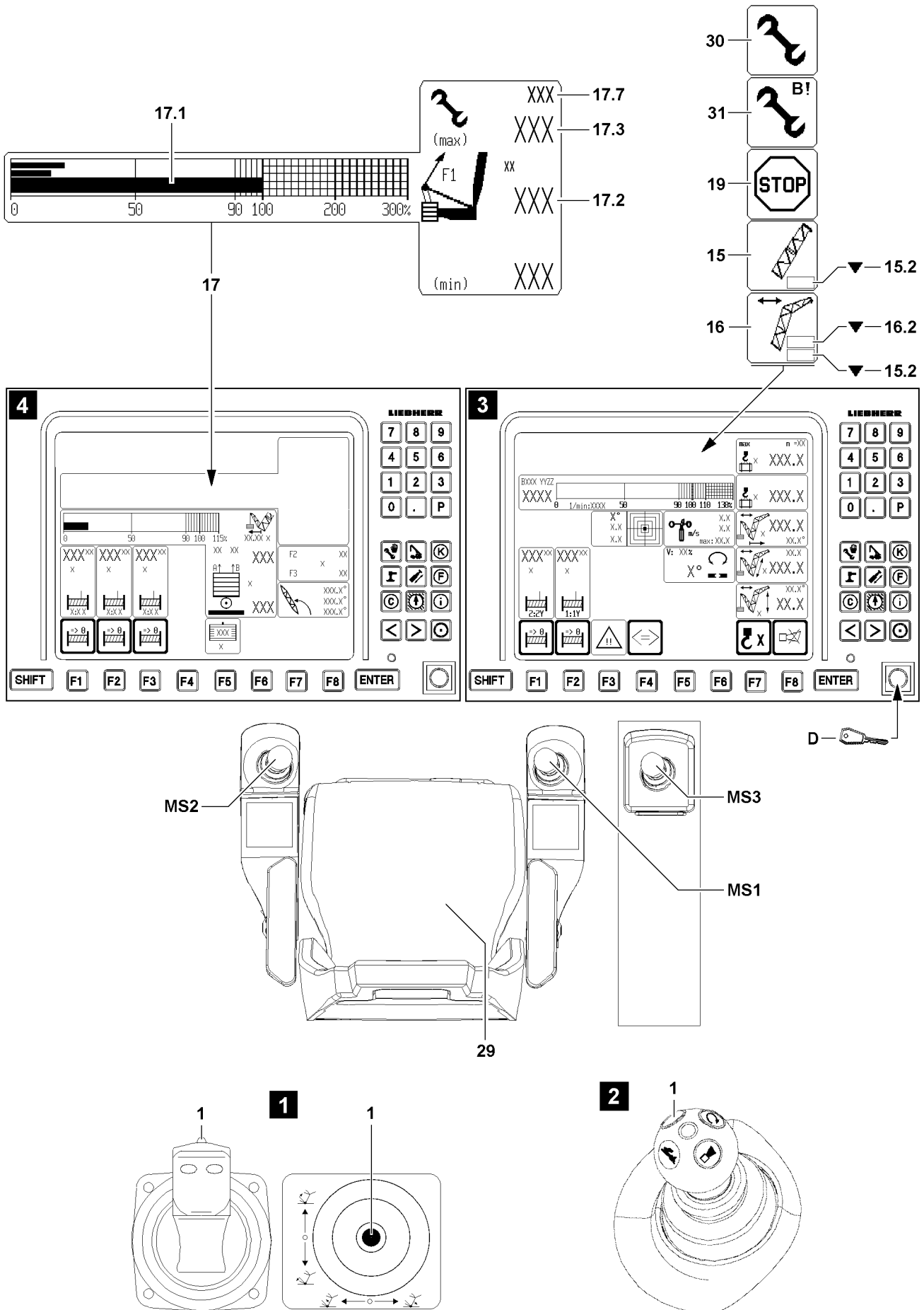


Fig.112341

LWE/LR 11350-005/19004-04-02/en

3.6.2 Carrying out take down procedures (assembly operation)



WARNING

Increased danger of accidents due to bypass of shut off of luffing the main boom / auxiliary boom / accessory down!

When the shut off luffing the main boom / auxiliary boom / accessory down is bypassed, then the LICCON overload protection as a whole is deactivated or limited.

When the shut off luffing the main boom / auxiliary boom / accessory down is bypassed and the main boom and / or the auxiliary boom / accessory is further luffed down, then there is no load chart available any longer!

Crane operation with bypassed shut off luffing the main boom / auxiliary boom / accessory down is prohibited, since severe accidents can result!

Personnel can be severely injured or killed!

- ▶ Activate the bypass of the shut off luffing the main boom / auxiliary boom / accessory down only in emergency cases or for erection / take down procedures with erection / take down charts!
- ▶ Carry out all crane movements with utmost caution!

Make sure that the following prerequisites are met:

- In icon **15** or icon **16** the arrow **15.2** or arrow **16.2** appear and the LICCON overload protection has shut off the crane movement.
- Either the seat contact button **29** or one of the buttons **1** of the master switches (MS1, MS2, MS3) is actuated.
- All master switches (MS1, MS2, MS3) are in zero position (not deflected).
- The radio operation* is not active.

- ▶ Turn the set up key **D** to the right (touching).

Result:

- The assembly icon **30** appears in the LICCON monitor.
- The function „Exceedance of shut off limits of the LICCON overload protection“ is activated and has bypassed the shut off luffing the main boom / auxiliary boom / accessory down.



Note

- ▶ If a load chart is available, then the value $F1_{\text{max operation}}$ **17.3** is valid as the limit value for a shut off of crane operation.
- ▶ When leaving the area „Load chart available“, the assembly icon **30** turns off and the assembly icon **31** appears!
- ▶ When leaving the area „Load chart available“ then $F1_{\text{max assembly}}$ **17.7** is valid as the upper limit value!
- ▶ If no derrick boom is installed, then the icon **17** only shows $F1_{\text{actual}}$ **17.1** and $F1_{\text{max-assembly}}$ **17.7**. $F1_{\text{max-assembly}}$ **17.7** might only appear when 90 % of its nominal value is exceeded!

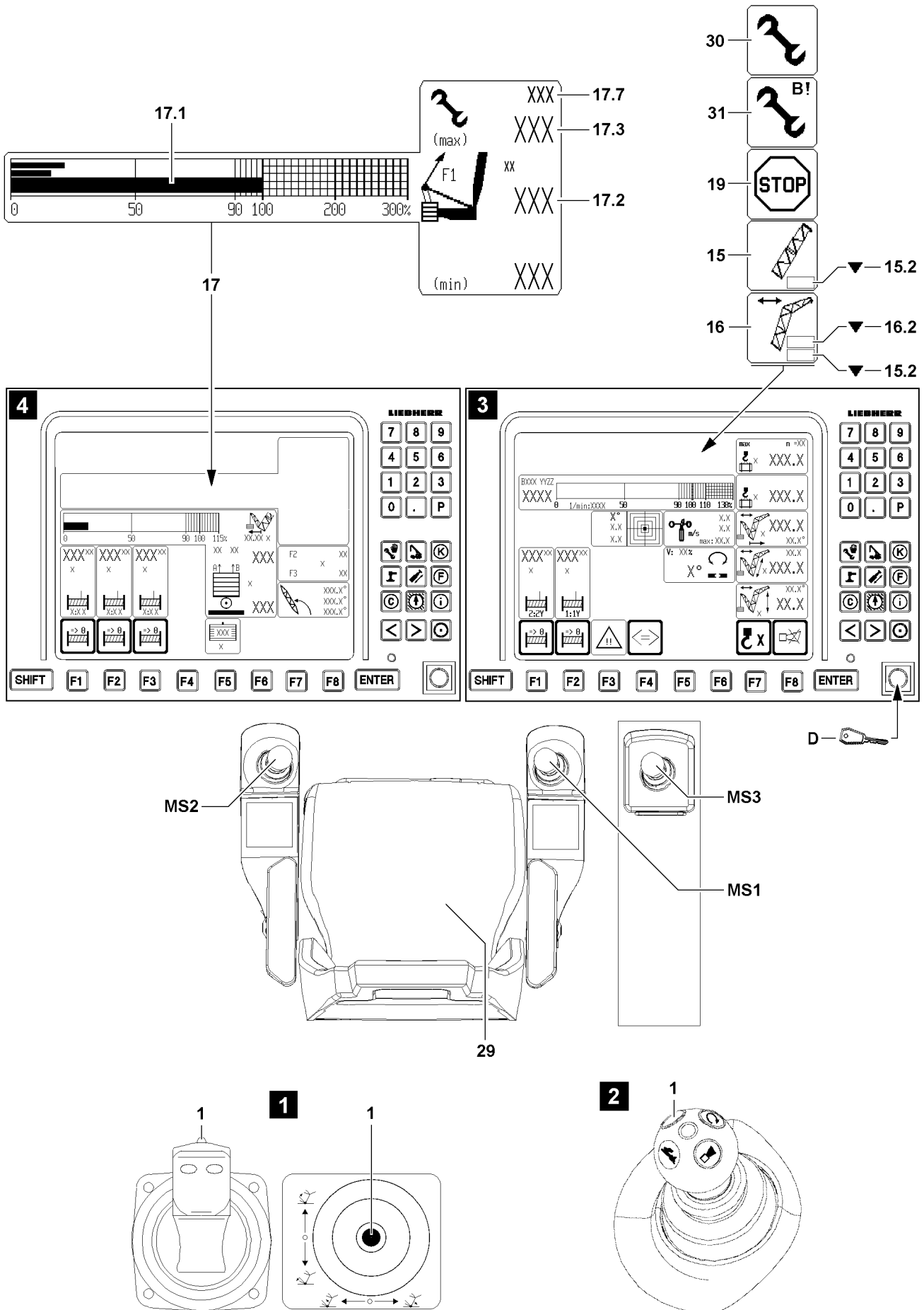


Fig.112341

**DANGER**

The crane can topple over!

There is **no** shut off of the luff down movement after reaching the limit value $F1_{\text{max assembly}}$ **17.7!**

If the warnings by the LICCON overload protection are ignored, then the crane will be overloaded or topples over!

Personnel can be severely injured or killed!

- ▶ The icon **17** (F1-load display) must be watched permanently! It must be ensured that the value $F1_{\text{actual}}$ **17.2** is smaller than the value $F1_{\text{max assembly}}$ **17.7!**
- ▶ The luff down movement must be stopped before the value $F1_{\text{actual}}$ **17.2** exceeds the limit value $F1_{\text{max assembly}}$ **17.7!**

- ▶ During the take down procedure watch the icon **17** (F1-load display).

Problem remedy

The take down procedure cannot be carried out due to danger of exceeding the $F1_{\text{max assembly}}$ **17.7?**

- ▶ See section „Danger of exceeding $F1_{\text{max assembly}}$ “.

The bypass of the shut off luffing the main boom / auxiliary boom / accessory down turns off:

- If the set up key **D** is actuated again.
- When neither the seat contact button **29** nor one of the buttons **1** of the master switches (MS1, MS2, MS3) is actuated.
- When an area with existing load chart is reached.
- If the radio operation* is active.
- At engine stop.

The bypass of the shut off luffing the main boom / auxiliary boom / accessory down has / was turned off:

- The assembly icon **31** or the assembly icon **30** in the LICCON monitor turns off.
- ▶ Make sure that the assembly icon **30** or the assembly icon **31** no longer appear in the LICCON monitor.

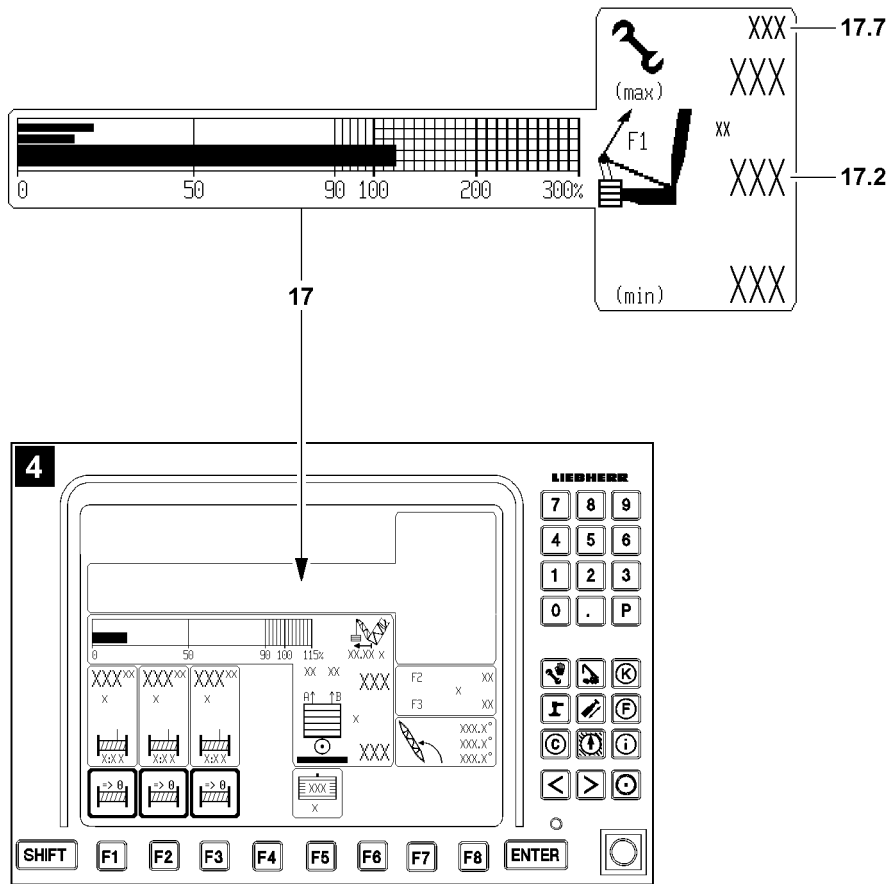


Fig.112344

3.6.3 Danger of exceeding $F1_{\text{max assembly}}$



Note

- ▶ $F1_{\text{max-assembly}}$ **17.7** might only appear when 90 % of its nominal value is exceeded!



DANGER

The crane can topple over!

There is **no** shut off of the luff down movement after reaching the limit value $F1_{\text{max assembly}}$ **17.7!**

If the warnings by the LICCON overload protection are ignored, then the crane will be overloaded or topples over!

Personnel can be severely injured or killed!

- ▶ The luff down movement must be stopped before the value $F1_{\text{actual}}$ **17.2** exceeds the limit value $F1_{\text{max assembly}}$ **17.7!**

In the icon **17** (F1-load display), the value $F1_{\text{actual}}$ **17.2** has reached the upper limit value $F1_{\text{max-assembly}}$ **17.7**.

- ▶ Check if a crane movement, which can lower the force $F1$ (value $F1_{\text{actual}}$ **17.2**) can be initiated, for example setting down the hook block / load hook.
- ▶ Check if the correct set up configuration has been entered on the LICCON computer system.
- ▶ Check if the actual set up configuration matches the entered set up configuration.
- ▶ Check if the correct hook block weight has been entered.
- ▶ Check if the respective hook block / load hook is installed.
- ▶ Check if all attachment parts and guy rods on the boom system, which are not needed, have been removed.
- ▶ Check if environmental influences (wind, snow or ice) on the crane are not too great.



Note

- ▶ Hook block weight entry and correction of weighing errors, see Crane operating instructions, chapter 4.02.

Empty page!

LWE/LR 11350-005/19004-04-02/en

5 Equipment

LWE/LR 11350-005/190004-04-02/en

Fig.195219

LWE/LR 11350-005/19004-04-02/en

1 Checking the retaining elements

Retaining elements are used to secure the pins. Due to mechanical damage / distortion, the function of the retaining elements can be compromised. In addition, the spring force of the retaining elements can be reduced significantly. Do not re-use retaining elements if there is insufficient spring force. The pin retainer must be secured with a correctly **functioning** retaining element.



WARNING

Failure of retaining element!

If the spring force of the retaining element is not sufficient or in case of mechanical damage / distortion, the retaining element can fail.

If the correct retention of the pin is no longer ensured, then the pin can unpin by itself.

Accidents with bodily injuries / property damage can result.

- ▶ Use exclusively **functioning** retaining elements in proper condition.

2 Rope pulleys



WARNING

Danger of crushing due to rotating rope pulleys!

Arms and legs can be caught and crushed or severed between the rope pulley and the rope due to rotating rope pulleys.

- ▶ It is prohibited to touch the ropes or rope pulleys during operation.
- ▶ Adhere to the safety distance to ropes and rotating rope pulleys.

3 Checking the ropes



WARNING

Danger of accident!

- ▶ The ropes must be checked by an expert before assembly and checks must be performed at regular intervals in order to detect possible damage or wear and tear at an early stage. See Crane operating instructions, chapter 8.04.

The ropes must be removed immediately if any of the following damage is detected:

- Breakage of a strand
- Wire breaks
- Broken wire nests
- Reduction in the rope diameter by 10 % or more of the nominal size
- Rope deformations

3.1 Placing the hoist / control ropes

In order to guarantee safety and operating characteristics, only original Liebherr replacement parts or parts approved by Liebherr may be used.

NOTICE

Damage of hoist / control rope!

If a hoist / control rope is placed with worn rope pulleys, damage can occur.

- ▶ Before placing a rope, check the rope pulleys. See Crane operating instructions, chapter 8.01.
- ▶ Replace worn or damaged rope pulleys.

NOTICE

If the following notes are not observed, the cam limit switch / winch turn sensor must be readjusted!

- ▶ When the hoist rope is spooled up, the end of the hoist rope must remain in front of the winch and may not be pulled over the winch.
- ▶ Pull the hoist rope end never under the winch by spooling the winch up.
- ▶ Pull the hoist rope never off from the „stationary“ winch.
- ▶ The winch turn sensor must also be readjusted, if it is determined during operation or when changing the hoist rope that the winch does not turn off when the minimum rope coils are reached.

3.1.1 Cranes with cam limit switch

The cam limit switch is adjusted at the factory that it turns off before the minimum rope coils are reached (three hoist rope coils on the winch).

**WARNING**

Danger of accident due to falling load!

If the following instructions are not observed, the hoist rope end attachment may be torn out, causing the load to topple.

- ▶ If a new hoist rope is used, the cam limit switch must be reset.
- ▶ The cam limit switch must be adjusted so that it turns off when only 3 hoist rope coils remain on the winch.

3.1.2 Cranes with winch turn sensor

The winch turn sensor is adjusted at the factory that it turns off before the minimum rope coils are reached (four hoist rope coils on the winch). If used properly, the winch turn sensor will not need readjustment.

**WARNING**

Danger of accident due to falling load!

If the following instructions are not observed, the hoist rope end attachment may be torn out, causing the load to topple.

- ▶ If a new hoist rope is placed, the winch turn sensor must be checked.
- ▶ The winch turn sensor must be set to turn off when only 4 hoist rope coils remain on the winch.

4 Control measures**WARNING**

The crane can topple over!

If the control measures are not carried out before crane operation, then accidents can occur. The crane can topple over, be overloaded or damaged.

Personnel can be killed or injured.

- ▶ Crane operation with safety devices which are **not** functioning correctly is strictly prohibited.
- ▶ Start crane operation only after all safety devices have been checked and are functioning correctly.
- ▶ Start crane operation only if the overload protection has been set according to the data in the load chart.
- ▶ Start crane operation only if the crane is properly supported and horizontally aligned.

**WARNING**

Interruption of crane operation!

If the following specifications for interruption of crane operation are not observed, accidents can occur.

- ▶ If the crane operator leaves the crane cab even if for just a short time, the crane must be secured to prevent unauthorized access.
- ▶ Before starting to work again with the crane, the crane operator is obligated to check the operating mode settings and to reset them, if necessary.



Fig.113437

Make sure that the following prerequisites are met:

- The overload protection is not bypassed.
- No assembly operation is activated.
- Crane operation can be carried out with minimum boom radius.

4.1 General control measures before crane operation

- Make sure that no visible damage is present on the crane.
- Make sure that there are no loose parts on the boom, crane chassis and crane superstructure.
- Make sure that exposed rope pulleys are free of snow, frost and ice.
- Make sure that the cable / rope drums as well as the limit switches are free of snow and ice.
- Make sure that the gear ring of the rotary connection is clean and greased.
- Make sure that the air supply to the oil and water cooler is clear.
- Make sure that steps, ladders and platforms are in the correct position for crane operation.
- Make sure that all tool boxes, compartments, coverings, covers and cabinet doors are closed.
- Make sure that no persons or objects are within the danger zone of the crane.
- Make sure that the crane is standing on level, load bearing ground.
- Make sure that the crane is sufficiently supported depending on the load case and the ground conditions.
- Make sure that there is sufficient distance to excavations and slopes.
- Make sure that no obstacles are within the working range of the crane, which obstruct the required crane movements.
- Make sure that the crane has sufficient distance to live power lines.
- Make sure that the LICCON overload protection is set according to the data in the load chart.
- Make sure that the overload protection is set according to the actual set up configuration of the crane.
- Make sure that the electrical connections, the connector plug, the pull release, the cables and the protective insulation function. Replace missing or defective parts.
- Make sure that the cable routings on the electrical connections are seated tightly. If necessary, tighten loose screw connections.
- Make sure that the existing safety devices are functioning.
- Make sure that the overload protection is functioning.
- Make sure that the hoist limit switches are functioning.
- Make sure that the limit switch boom „steepest position“ is functioning.
- Make sure that the wind speed sensor easily moves and is functioning.

4.2 Additional controls for cranes with crane support

- Make sure that the folding / sliding beams are secured with pins to prevent them from sliding.
- Make sure that the support plates are secured in the operating position.
- Make sure that the crane is properly supported.
- Make sure that the crane is horizontally aligned.
- Make sure that the axle suspension is blocked (mobile crane).
- Make sure that the tires have no contact to the ground (mobile crane).

- Make sure that the track chains are secured to prevent them from sagging (crawler crane).

4.3 Additional controls for cranes on tires on the front and supported on the rear

- Make sure that the rear folding / sliding beams are secured with pins to prevent them from sliding.
- Make sure that the rear support plates are secured in the operating position.
- Make sure that the crane is properly supported on the rear.
- Make sure that the axle pressure compensation is correctly switched.
- Make sure that the axle suspension is blocked.
- Make sure that the tires of the rear axle group have no contact with the ground.
- Make sure that a sufficient tire pressure is present in the tires.
- Make sure that the ground for the front axle group is sufficiently level.

4.4 Additional controls for cranes supported on the front and on tires on the rear

- Make sure that the front folding / sliding beams are secured with pins to prevent them from sliding.
- Make sure that the front support plates are secured in the operating position.
- Make sure that the crane is properly supported on the front.
- Make sure that the axle pressure compensation is correctly switched.
- Make sure that the axle suspension is blocked.
- Make sure that the tires of the front axle group have no contact with the ground.
- Make sure that a sufficient tire pressure is present in the tires.
- Make sure that the ground for the rear axle group is sufficiently level.

4.5 Additional controls for freestanding crane operation (on tires)

- Make sure that all prerequisites for freestanding crane operation are met.
- Make sure that sufficient tire pressure is in all tires for crane operation on tires.
- Make sure that the ground is sufficiently level for crane operation on tires.

4.6 Additional controls for cranes with derrick boom

- Make sure that the shut off via the limit switch - derrick is functioning.
- Make sure that the entire swing range of the suspended ballast / ballast trailer is free of personnel and obstacles.

4.7 Additional controls for cranes with luffing auxiliary boom / accessories

- Make sure that the shut off via the limit switch luffing auxiliary boom / accessories „steepest position“ is functioning.
- Make sure that the shut off via the limit switch luffing auxiliary boom / accessories „lowest position“ is functioning.
- Make sure that the shut off via the limit switch flap in „steepest position“ position is functioning.
- Make sure that the pendulum of the mechanical relapse retainer moves easily over the entire swing range and is functioning.

4.8 Additional controls for certain crawler cranes

For existing crawler assembly key button:

- Make sure that the crawler assembly key button is turned off.

5 Dangerous conditions without shut off

5.1 Block position of relapse cylinders when setting down the load

NOTICE

Damage to boom or relapse cylinder!

If the block position of the relapse cylinders is triggered by the boom or the derrick with attached, freely suspended load, then there is a danger of damaging the boom or the relapse cylinders when setting the load on the ground. By setting down the load, the crane is relieved, which causes the boom system to move to the rear.

There is no shut-off of the hoist gear down function.

- ▶ Actuate the opposite direction of movement which caused the block position and eliminate the block position.

6 Transporting components



WARNING

Danger of accident!

- ▶ If any components are transported on an auxiliary vehicle, then they must be properly secured. If necessary, transport these components on supports or using a special transport device.

6.1 Transporting lattice sections



WARNING

Danger of accident!

- ▶ If the lattice sections are pushed into each other for transport, the lattice sections must be safely rigged on the transport vehicle and secured on at least two independent points.

7 Pneumatic springs for assembly support of components

Pneumatic springs are installed on various crane components to simplify the installation of these components.



WARNING

Danger of crushing!

Defective pneumatic springs no longer provide the supporting properties on the movable components. Due to falling components, personnel can be killed or severely injured.

High risk of accident.

- ▶ Always check pneumatic springs for damage before actuating the corresponding components.
- ▶ Do not use components with defective pneumatic springs. Replace defective pneumatic springs immediately.
- ▶ Make sure that no persons or objects are in the movement range of the moving components which is supported by the pneumatic spring.
- ▶ It is strictly prohibited to remain or place any objects in the movement or other danger zone of the moving crane components which are supported by the pneumatic spring.

8 Manual rope winches for assembly support of components

Manual rope winches are installed on various components to simplify the installation or removal of these components.



WARNING

Danger of crushing!

Defective manual rope winches no longer provide the supporting action on the movable components. Due to falling components, personnel can be killed or severely injured.

High risk of accident.

- ▶ Always check manual rope winches for external and functional damage before actuating the respective components.
- ▶ Check the rope of the manual rope winch for damage.
- ▶ At least two rope coils must always remain on the rope drum.
- ▶ Do not use components with defective manual rope winches. Replace defective manual rope winches.
- ▶ It is strictly prohibited for personnel or objects to remain within the movement range of the components, which are supported by the manual rope winch.
- ▶ It is prohibited for personnel or objects to remain within the danger zone of the moveable components.

9 Weights



Note

- ▶ The weight of each component is specified in the chapter 1.03 or the respective chapter in the Crane operating instructions or is stated on the tag attached to the corresponding component.
- ▶ If components are pushed into one another (for example intermediate pieces) or folded together (for example the folding jib), then the total weight is given by the sum of the individual components.

NOTICE

False estimation of weights

- ▶ Contact the Service department at **Liebherr-Werk Ehingen GmbH** if the weight of the respective component is not stated on the tag or in the Crane operating instructions.
- ▶ Use an auxiliary crane with sufficient load carrying capacity including judicious reserve.

10 Guy rods



WARNING

Boom can break off!

The arrangement of the guy rods for the boom or boom systems is stipulated in the rod plan. If the arrangement of the guy rods according to the rod plan is not observed, the crane can collapse, the boom can break off or the crane can topple over.

Personnel can be severely injured or killed.

- ▶ Always carry out the arrangement of the guy rods according to the rod plan.
- ▶ If an auxiliary guying is required for a certain boom length, then it must always be installed according to the rod plan on the position defined in the rod plan.

**WARNING**

Unutilized guy rods on boom!

If guy rods are on the lattice sections which are not used for operation, then there is a danger of accidents.

Unused guy rods can loosen up and fall down.

Personnel can be severely injured or killed.

The load chart is invalid.

The load display of the LICCON computer system shows an incorrect value.

The weight of the boom is too large for erection.

- ▶ Disassemble and remove the guy rods which are not needed on the transport retainers before erecting the boom.

**Note**

▶ Inspection and maintenance of guy rods, see Crane operating instructions, chapter 8.15.

▶ In reference to the guy rods, observe section „Erection / take down“.

11 Auxiliary guying

The auxiliary guying is of significant importance for safe crane operation.

The auxiliary guying is a deciding factor in relieving the boom, or the boom system during erection and take down as well as during crane operation.

**WARNING**

The crane can topple over!

If the auxiliary guying is not installed or not installed on the position specified in the rod plan, then the crane can collapse, the boom can break off or the crane can topple over.

- ▶ If an auxiliary guying is specified in the rod plan for the required boom length, then it must be installed on the respective position.
- ▶ Make sure that the auxiliary guying is always completely installed and that all pins are properly pinned and secured.

12 Bypassing the overload protection



Fig.113438

- Illustration 1: LICCON monitor (only certain crane types).
- Illustration 2: Indicator light „Assembly“ in instrument panel crane cab (only certain crane types).

The overload protection is considered bypassed for:

- all types of assembly operations.
- all types of exceeded shut off limits of the overload protection.
- all types of emergency operation.
- all types of crane operation with deactivated or defective sensors and limit switches.
- all types of deviation from specified set up configuration of the crane.

**DANGER**

Increased danger of accident due to bypass of the overload protection!

As section 4.2.6.3.2 of EN 13000 does not put the requirements of appendix 1 of the EC machinery directive 89/37/EC into concrete terms, the overload protection has not been designed according to this definition.

Proper and destined use of the crane is ensured due to the construction of the overload protection system and observance of the information in the Crane operating instructions. All **sensibly foreseeable erroneous operations** of the crane have been taken into consideration.

Impermissible crane operation with bypassed overload protection – with the aim of increasing the maximum load capacity of the crane above the rated value in the load chart or to extend the designated working range of the crane – does not constitute a **sensibly foreseeable erroneous operation**, rather a **deliberate improper use with high risk of accident**.

The possible risks and consequences of such deliberate improper use are detailed in the Crane operating instructions.

Such deliberate improper use can neither be prevented by means of the structural design nor by means of information in the Crane operating instructions

- ▶ Bypass the overload protection only according to the Crane operating instructions.
- ▶ Exceed the shut off limits of the overload protection only according to the Crane operating instructions.
- ▶ Any other use of the crane with bypassed overload protection than that described in the Crane operating instructions is prohibited.

12.1 Bypassing the overload protection

If the maximum permissible load moment is exceeded, the overload protection turns all load moment increasing crane movements off.

This shut off can be bypassed or exceeded various ways by:

- exceeding the shut off limits (utilization more than 100 % or leaving the load chart).
- activating an assembly operation.
- activating an emergency operation.

The displays of the LICCON overload protection remain functioning when all associated sensors and limit switches are active and a load chart is available.

**WARNING**

Increased danger of accident due to bypass of the overload protection!

If overload protection is bypassed, there is no further protection against overloading the crane.

In the event of deliberate improper use, the crane could collapse, the boom can break off or the crane can topple over.

Personnel can be killed.

This could result in high property damage.

- ▶ It is only permitted to bypass the overload protection for assembly or in emergencies.
- ▶ The bypass of the overload protection may only be carried out by persons who are aware of the effects of their acts.
- ▶ Bypassing the overload protection requires the presence of a person authorized by the crane operator and must be performed with utmost caution.
- ▶ It is strictly prohibited to operate the crane when the overload protection is bypassed.

12.1.1 Bypassing the LICCON overload protection

**Note**

- ▶ Applies only for cranes with LICCON overload protection.

Depending on the crane version, one or more operating elements are available to bypass the overload protection:

- Button in the control console.
- Key button on the LICCON monitor.
- Key button in the instrument panel.

- Key button in the switch cabinet.
- Sensor for transponder on the crane cab.
- ▶ Actuate the respective operating element.

Result:

- The LICCON overload protection is bypassed / inactive.
- The „Assembly“ icon appears on the LICCON monitor.
- Depending on the circumstances, acoustical and / or optical warning signals (blinkers, flashing lights, bells and horns).

If the LICCON overload protection is to be reactivated:

- ▶ No longer actuate the respective operating element or reset.

Result:

- The LICCON overload protection is active.
- The „Assembly“ icon no longer appears on the LICCON monitor.
- The acoustical and / or optical warning signals which were triggered by the bypass are turned off again.

12.1.2 Bypassing the PAT overload protection

**Note**

- ▶ Applies only for cranes with PAT overload protection.

- ▶ Actuate the bypass key button and turn the PAT overload protection off.

Result:

- The PAT overload protection is bypassed / inactive.

- ▶ Actuate the bypass key button and turn the PAT overload protection on.

Result:

- The PAT overload protection is active.

13 Bypassing the hoist top shut off

**Note**

- ▶ Applies only for cranes with hoist limit switch.

If the hook block contacts the hoist limit switch weight during its upward movement, the hoist limit switch is triggered. The crane movements „Spool up winches“, „Luff boom down“ and „Telescope telescopic boom out“ are turned off. The shut off can be bypassed.

**WARNING**

Danger of accidents due to bypass of Hoist top shut off!

When bypassing the hoist top shut off, there is a risk that the hook block may be pulled against the pulley head when continuing to lift or luffing down the boom. This may damage the pulleys and cause the loads to fall.

- ▶ The bypass of the hoist top shut off in crane operation with a load may only be carried out by a person authorized by the crane operator with the aid of a „Guide“. The guide must be in direct contact with the crane operator and must continually monitor the distance between the hook block and the boom head.
- ▶ Carry out all crane movements with maximum care and minimum speed.

14 Assembly / disassembly



WARNING

Danger of fatal injury due to incorrect assembly or disassembly!

The assembly / disassembly of lattice sections and / or components may never be performed by untrained personnel.

An erroneous assembly / disassembly of lattice sections and / or components can cause damage on load carrying crane structures.

Crane components can fail due to improper assembly / disassembly.

Personnel can be severely injured or killed.

- ▶ Make sure that the assembly / disassembly of lattice sections and / or components is carried out only by authorized and trained expert personnel.
- ▶ Make sure that the fastening equipment on lattice sections and / or components is always fastened properly.
- ▶ Make sure that lattice sections and / or components are always properly pinned and secured at assembly.
- ▶ For assembly / disassembly of individual components, also observe the chapters relating to those components.
- ▶ The boom combinations must be assembled according to the separately supplied rod plans.
- ▶ The winch use is regulated in the master switch assignment in the Electric wiring diagram. The winches may only be operated according to this master switch assignment specified in the Electric wiring diagram.
- ▶ All components which must be transported separately must be transported with suitable auxiliary cranes and fastening equipment near ground level.



WARNING

Failure of auxiliary winch!

- ▶ Only use the auxiliary winch (assembly or reeving winch) for assembly and not to lift loads.
- ▶ Lifting of loads with the auxiliary winch is prohibited.

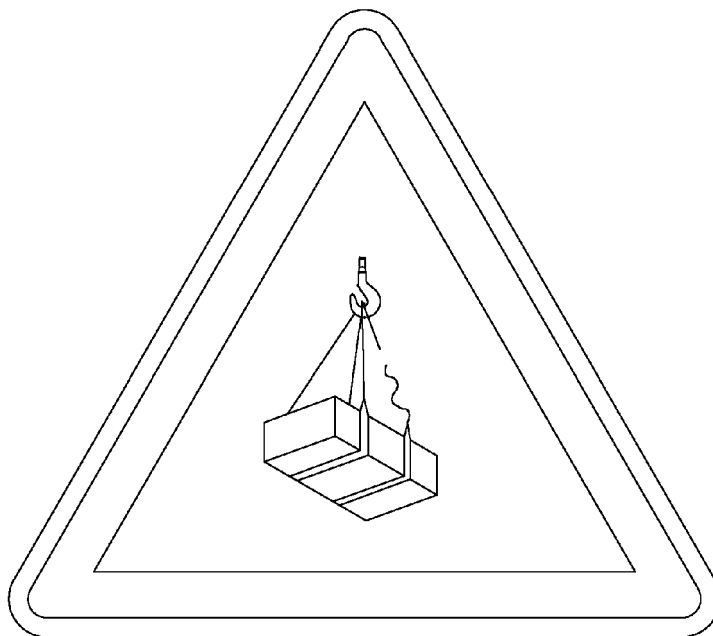


Fig.121169

**WARNING**

Danger of impact and crushing!

There is a risk of impact and crushing when standing in the vicinity of suspended loads moving sideways.

- ▶ During assembly / disassembly no one may be in the dangerous area around or underneath the suspended load before the load has been secured.

Part of the category „Aids for working aloft“ are, for example:

- Lifting platforms
- Scaffolding
- Auxiliary cranes
- Ladders

**WARNING**

Danger of falling!

During assembly / disassembly, inspection and maintenance work, assembly personnel must be secured with appropriate aids to prevent them from falling.

If this is not observed, assembly personnel could fall and suffer life-threatening or fatal injuries.

- ▶ All work aloft, where there is a danger of falling must be carried out with suitable aids.
- ▶ If fall arrest equipment is available, then it must be used, see Crane operating instructions, chapter 2.06.
- ▶ If aids are not available and work cannot be carried out from the ground, then the assembly personnel must secure themselves with the specified fall arrest system to prevent falling, see Crane operating instructions, chapter 2.04.
- ▶ The fall arrest system must be fastened on the fastening and hook points as well as on the safety ropes. For safety points, see Crane operating instructions, chapter 2.06.
- ▶ Only step on the aids, ladders and catwalks with clean shoes.
- ▶ Keep aids, ladders and catwalks free of heavy dirt, snow, frost and ice.
- ▶ Remaining on a suspended load is prohibited.
- ▶ Remaining on or within crane components (for example: At assembly of boom sections, lattice sections) which are moved during lifting, lowering, turning or closing procedures is strictly prohibited.
- ▶ During all assembly and disassembly work, maintenance work and inspections, travel or crane operation is prohibited.
- ▶ It is prohibited to step on the telescopic or an auxiliary boom without suitable protective devices.
- ▶ Stepping and walking on crane components and lattice sections, which have an incline of more than 20° is prohibited.

**WARNING**

Components not pinned and secured!

If a component is released from the auxiliary crane before having been pinned and secured, the component will fall down.

Personnel can be severely injured or killed.

- ▶ Do not disengage the auxiliary crane until the respective component is pinned and secured.

**WARNING**

The components can fall down!

If the corresponding component is unpinned without being secured by an auxiliary crane, the corresponding component can fall down and fatally injure personnel.

- ▶ Do not unpin the components until they are secured by an auxiliary crane.

**WARNING**

Falling components and tools!

Whenever working aloft, for example on the crane or on an aerial platform, components or tools can fall down. Personnel can be severely injured or killed.

- ▶ Make sure that the danger zone under the work area is blocked off and marked.

14.1 Assembly drawings



WARNING

Use of assembly drawings!

Due to sole use of assembly drawings, dangerous situations can arise up to toppling of the crane. Personnel can be severely injured or killed.

- ▶ Assembly drawings should only be considered to be **additional** and **supplementary** information.
- ▶ The respective chapters in the crane operating instructions are decisive for the assembly and disassembly of booms or equipment.
- ▶ The detailed information and danger notes in the respective chapters must be observed and adhered to.

14.2 Pin connections



WARNING

Danger due to pin connections!

If the pins / pin connections are not properly greased or lubricated before assembly, then they can corrode, seize in the pin bores and / or be damaged.

This could result in high property damage.

Personnel can be severely injured or killed due to suddenly releasing pins at disassembly.

- ▶ Make sure that all pins, which are not supplied with grease via the central lubrication system are sufficiently greased before assembly.
- ▶ Make sure that all lube points, which are equipped with a grease fitting, are properly greased at assembly and according to the respective interval specification.
- ▶ Make sure that all pins are secured with the intended retaining elements to prevent them from loosening up by themselves.
- ▶ Never pin or unpin pins by force.

14.3 Guiding crane sections, lattice sections or crane components



WARNING

Danger due to oscillating load!

During the assembly of crane sections, lattice sections or crane components with the auxiliary crane, they can start to swing back and forth.

Personnel can be severely injured or killed.

- ▶ To guide and position crane sections, lattice sections or crane components always use a guide rope.
- ▶ Make sure that the guide rope is sufficiently long and that the assembly personnel does not enter the danger zone.

14.4 Assembly / disassembly of booms



WARNING

The crane can topple over!

Angular pull can overload the crane. Overload can cause destruction of the crane or cause it to topple over.

- ▶ The hook block must always be attached (hooked) vertically over the center of gravity of the load to be lifted.
- ▶ Angular pull is prohibited.

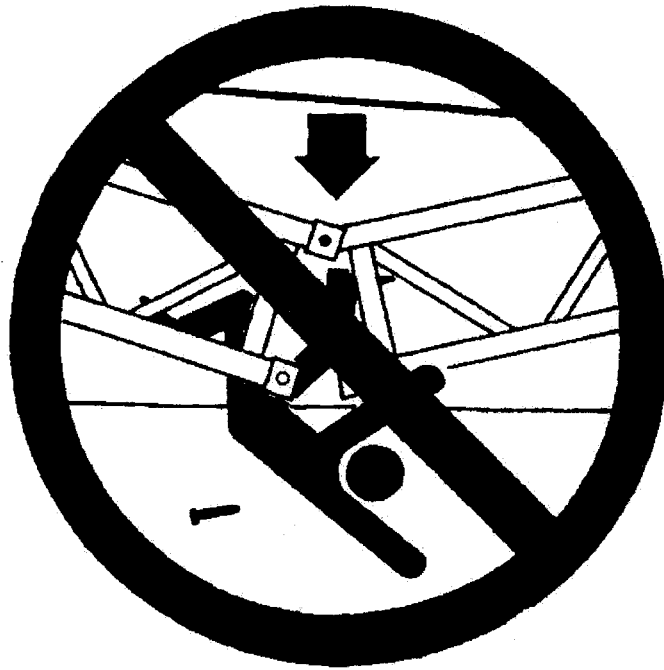


Fig.113444

**WARNING**

Danger of accident at assembly / disassembly of booms!

The disassembling of unsecured or unsupported booms may result in fatal injury or mutilation.

- ▶ Never unpin the pins under unsecured or unsupported booms.
- ▶ Never unpin the connecting pins on unsecured or unsupported booms.
- ▶ Do not stand under the booms or within the complete danger zone during the pinning and unpinning procedure of the booms.
- ▶ Secure the pins in the storage locations and in the receptacles.
- ▶ The railing at assembly and disassembly of booms must be horizontal.
- ▶ Do not lean the ladder against the component being disassembled.

**WARNING**

Danger of accident due to distorted pins!

Angular pulling or excessive / low hoisting force of the auxiliary crane may result in distortion of the pins.

Distorted parts can suddenly detach themselves when the pins are unpinned. This represents a fatal injury risk to assembly personnel.

- ▶ When the pins are unpinned, the „lifting force“ of the crane must be adapted to the „weight“ of the parts being lifted.
- ▶ Do **not** remove difficult to remove pins by force.
- ▶ Remedy the cause of the distortion.

**WARNING**

If the following specifications are not observed, accidents can result:

- ▶ Pin or unpin both pins at the same horizontal level, i.e. **left and right**.
- ▶ Pin the lower collar pins **from the inside to the outside** and unpin from the **outside to inside**.
- ▶ Insert and unpin horizontally installable double cone pins from the **outside to inside**.
- ▶ Insert and unpin vertically installable double cone pins from **top to bottom**.

Make sure that the following prerequisites are met:

- If parts of the equipment (for example lattice sections) are not in contact with the ground during assembly / disassembly, then they must be supported with suitable, stable materials.
- Select the height of the support so that the parts of the equipment are not in contact with the ground.

- Place the parts of the equipment with rope pulleys down in such a way that the rope pulleys are not damaged.
- During disassembly make sure that the auxiliary crane can lift the load vertically.
- Have an auxiliary crane with sufficient load carrying capacity available to be able to hold the load at a respective radius.

14.5 Fastening positions for assembly / disassembly of the lattice jib



WARNING

Danger of fatal accidents due falling components!

The maximum permissible tensile load on the fastening eye is engraved on the fastening eye.

The maximum permissible fastening load of the respective components can differ to the maximum permissible tensile load of the fastening eye.

Components can be damaged at overload and fall down during lifting.

- ▶ Observe the maximum permissible fastening load according to the operating instructions and the tags on the components.
- ▶ Fasten the lattice jib only according to the following descriptions.
- ▶ Do not overload the components.

14.5.1 Closing the end section

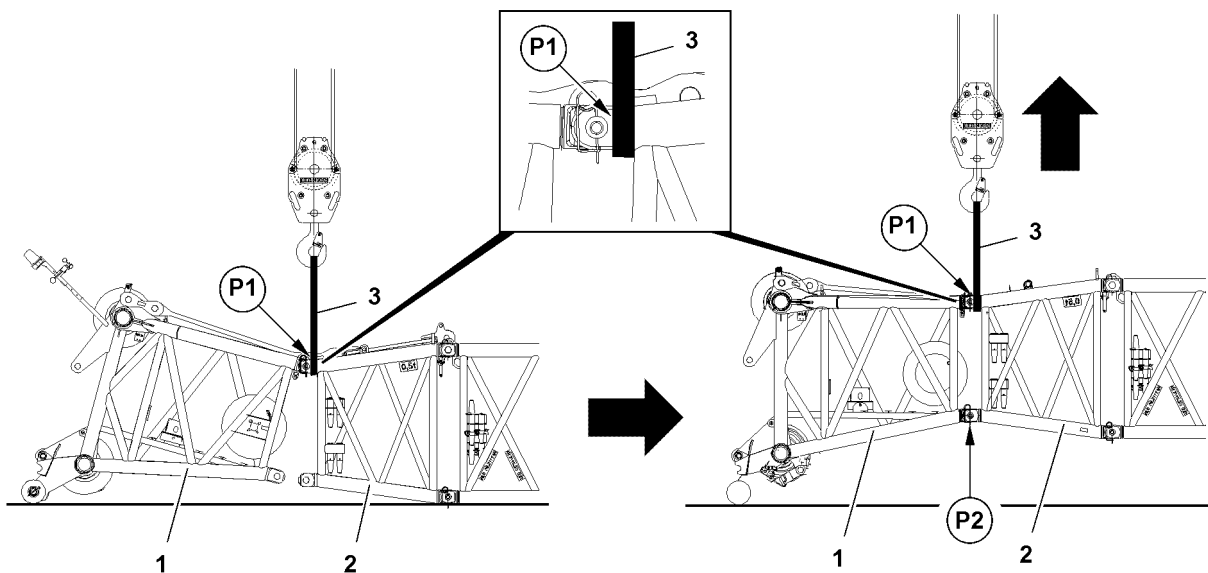


Fig.117840: Closing the end section

For closing the end section, observe the following:

- Use textile type fastening equipment **3**.
- Loop the textile type fastening equipment **3** on the left and right around on the pin points.

Before fastening:

- ▶ Check the position of the spring retainers and correct, if necessary.
- ▶ Fasten the textile type fastening equipment **3** on the upper pin points **P1** between the end section **1** and the pinned components **2**.
- ▶ Lift the lattice jib until the lower pin points **P2** align between the end section **1** and components **2**.
- ▶ Pin the end section **1** and components **2** on the lower pin points **P2** on the left and right.

After pinning:

- ▶ Remove the textile type fastening equipment **3**.

14.5.2 Placing the lattice jib into the pulley cart



Note

► The following illustrations are examples and may not match your crane exactly.

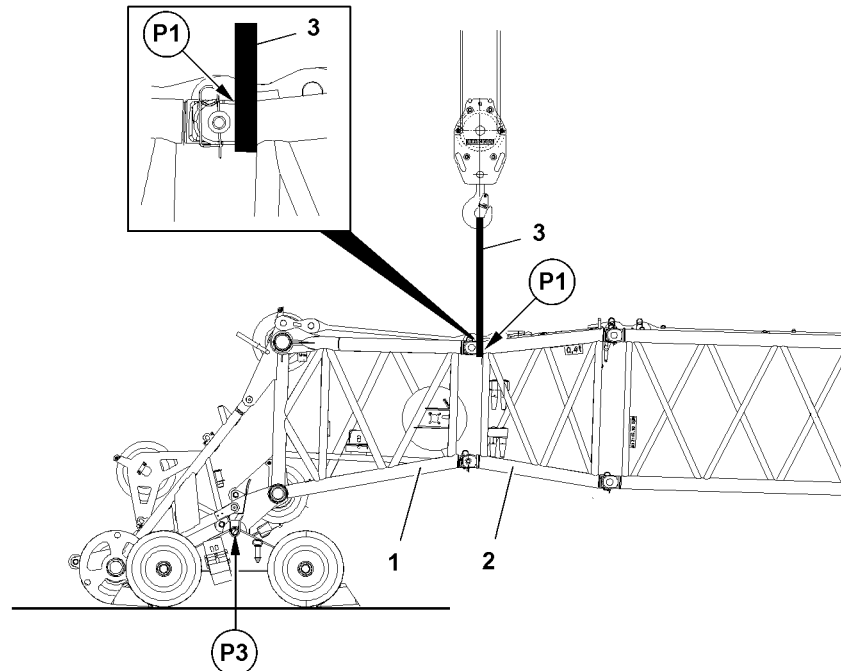


Fig.117842: Place the lattice jib into the pulley cart (telescopic crane)

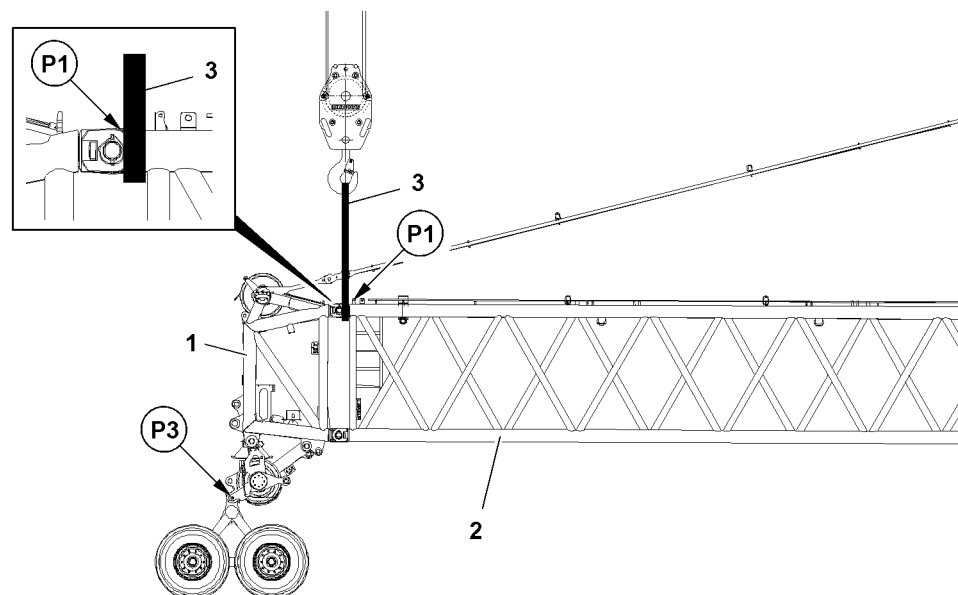


Fig.121550: Place the lattice jib into the pulley cart (lattice mast crane)

When placing it into the pulley cart, observe the following:

- The end section **1** is completely installed.
- Use textile type fastening equipment **3**.
- Loop the textile type fastening equipment **3** on the left and right around on the pin points.

Before fastening:

- Check the position of the spring retainers and correct, if necessary.

- ▶ Fasten the textile type fastening equipment **3** on the upper pin points **P1** between the end section **1** and the pinned components **2**.
- ▶ Lift the lattice jib and place it in the pulley cart **4**.
- ▶ Pin the end section **1** with the pulley cart **4** on the pin points **P3** on the left and right.
- ▶ Remove the textile type fastening equipment **3**.



Note

- ▶ The disassembly and removal of the pulley cart **4** is handled accordingly.

14.5.3 Opening the end section

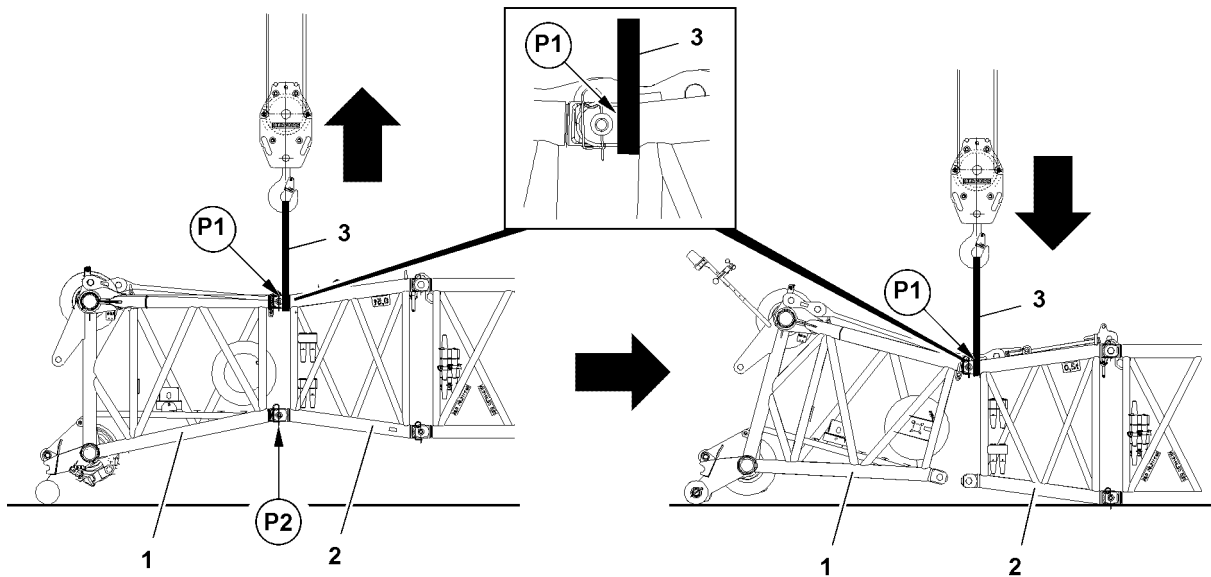


Fig.117841: Opening the end section

For opening the end section, observe the following:

- The pulley cart is disassembled and removed.
- Use textile type fastening equipment **3**.
- Loop the textile type fastening equipment **3** on the left and right around on the pin points.

Before fastening:

- ▶ Check the position of the spring retainers and correct, if necessary.
- ▶ Fasten the textile type fastening equipment **3** on the upper pin points **P1** between the end section **1** and the pinned components **2**.
- ▶ Lift the lattice jib and relieve the pins on the lower pin points **P2**.
- ▶ Unpin the end section **1** and components **2** on the lower pin points **P2** on the left and right.
- ▶ Place the lattice jib on the ground.
- ▶ Remove the textile type fastening equipment **3**.

14.5.4 Holding the luffing lattice jib

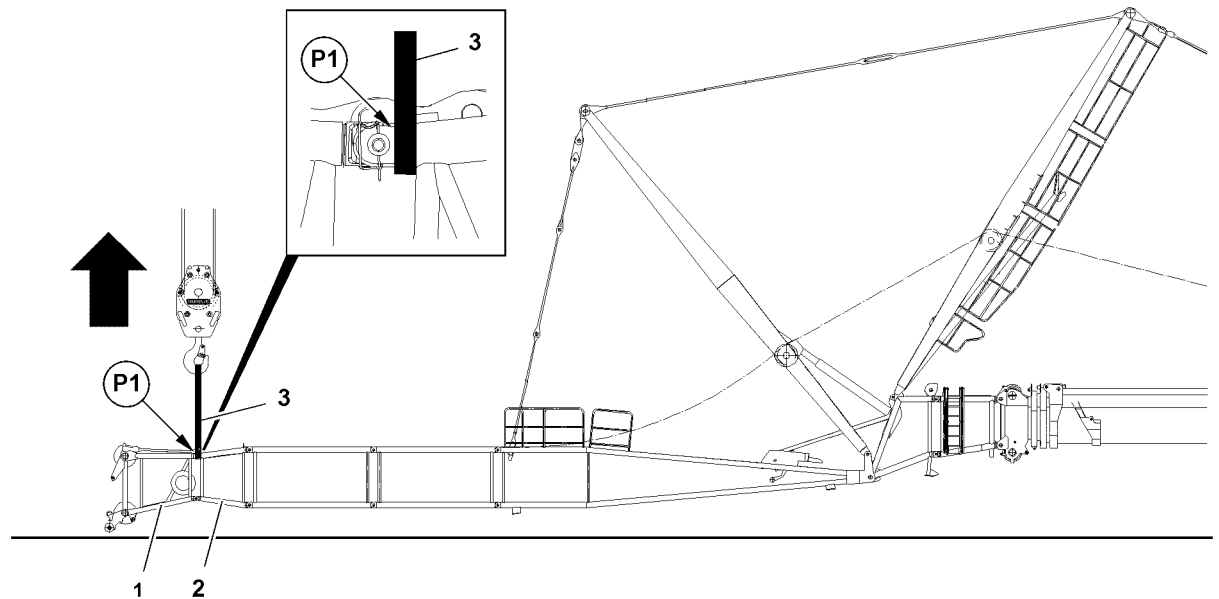


Fig. 117843: Holding the luffing lattice jib

To be able to install or remove the guy rods and "flying assembly", the luffing lattice jib must be held on the upper pin points **P1**.

When holding the luffing lattice jib, observe the following:

- The lattice jib has been completely assembled.
- Use textile type fastening equipment **3**.
- Loop the textile type fastening equipment **3** on the left and right around on the pin points.

Before fastening:

- ▶ Check the position of the spring retainers and correct, if necessary.
- ▶ Fasten the textile type fastening equipment **3** on the upper pin points **P1** between the end section **1** and the pinned components **2**.
- ▶ Lift the lattice jib and install the guy rods.

When the guy rods are installed:

- ▶ Remove the textile type fastening equipment **3**.



Note

- ▶ The removal of the guy rods is handled accordingly.

14.5.5 Assembling the fixed lattice jib on the TF-adapter



WARNING

Mortal danger if the lattice jib tilts over!

Due to unfavorable center of gravity, only certain lattice jib lengths can be installed / removed as an assembled lattice jib.

If a lattice jib length cannot be installed / removed as an assembled lattice jib, then they must be installed / removed individually in flying mode.

- ▶ Check if the respective lattice jib length can be installed / removed as an assembled lattice jib. See charts in the Crane operating instructions, chapter 5.01.10.

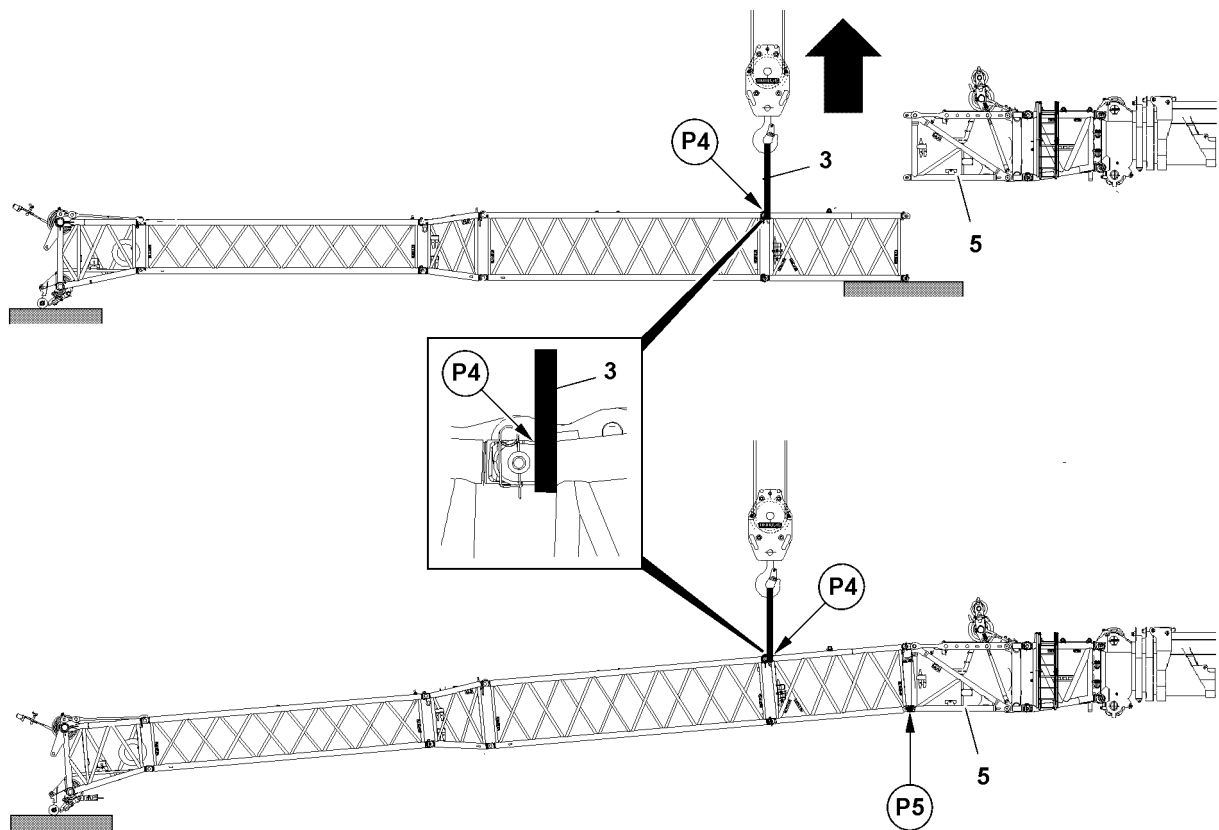


Fig.117844: Assembling the lattice jib on the TF-adapter

For installation on the TF-adapter, observe the following:

- The lattice jib has been assembled.
- The TF-adapter **5** is installed.
- Use textile type fastening equipment **3**.
- Loop the textile type fastening equipment **3** on the left and right around on the pin points.

Before fastening:

- ▶ Check the position of the spring retainers and correct, if necessary.

Fasten between the lattice sections, which are installed directly on the TF-adapter.

- ▶ Fasten the textile type fastening equipment **3** on the upper pin points **P4**.
- ▶ Lift the lattice jib and affix on the lower pin point **P5** on the TF-adapter **5**.
- ▶ Pin the lattice jib on the lower pin point **P5** with the TF-adapter **5**.

After pinning:

- ▶ Remove the textile type fastening equipment **3**.



WARNING

Mortal danger if the lattice jib tilts over!

- ▶ Make sure to observe the permissible lattice jib length at disassembly.
- ▶ Disassemble accordingly.

14.5.6 Closing the fixed lattice jib

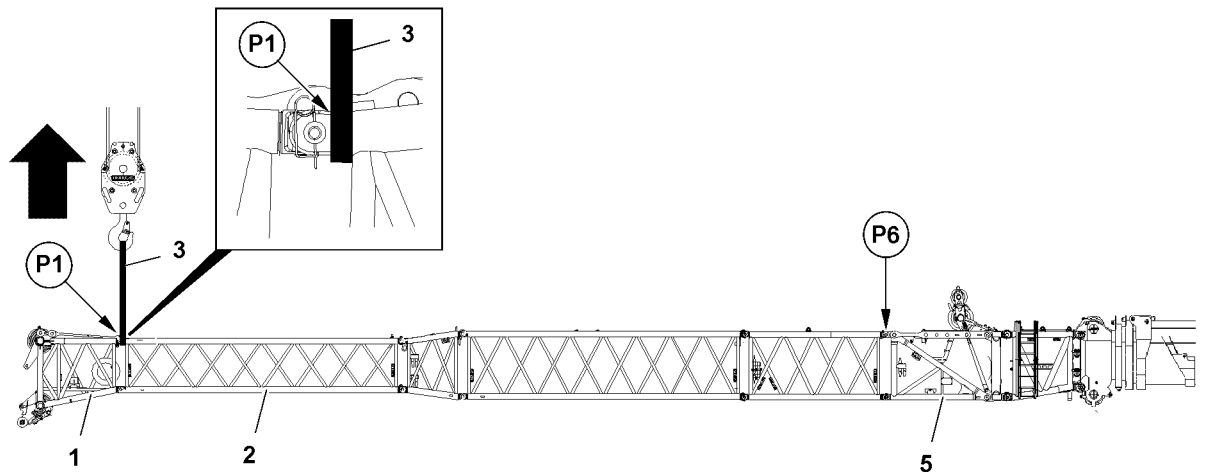


Fig.117850: Closing the lattice jib

For installation on the TF-adapter, observe the following:

- The lattice jib is pinned on the lower pin points of the TF-adapter **5**.
- Use textile type fastening equipment **3**.
- Loop the textile type fastening equipment **3** on the left and right around on the pin points.

Before fastening:

- ▶ Check the position of the spring retainers and correct, if necessary.
- ▶ Fasten the textile type fastening equipment **3** on the upper pin points **P1** between the end section **1** and the pinned components **2**.
- ▶ Lift the lattice jib and affix on the upper pin point **P6** on the TF-adapter **5**.
- ▶ Pin the lattice jib on the upper pin point **P6** with the TF-adapter **5**.

After pinning:

- ▶ Remove the textile type fastening equipment **3**.



Note

- ▶ Disassemble accordingly.

14.5.7 Angle adjustment on the fixed lattice jib

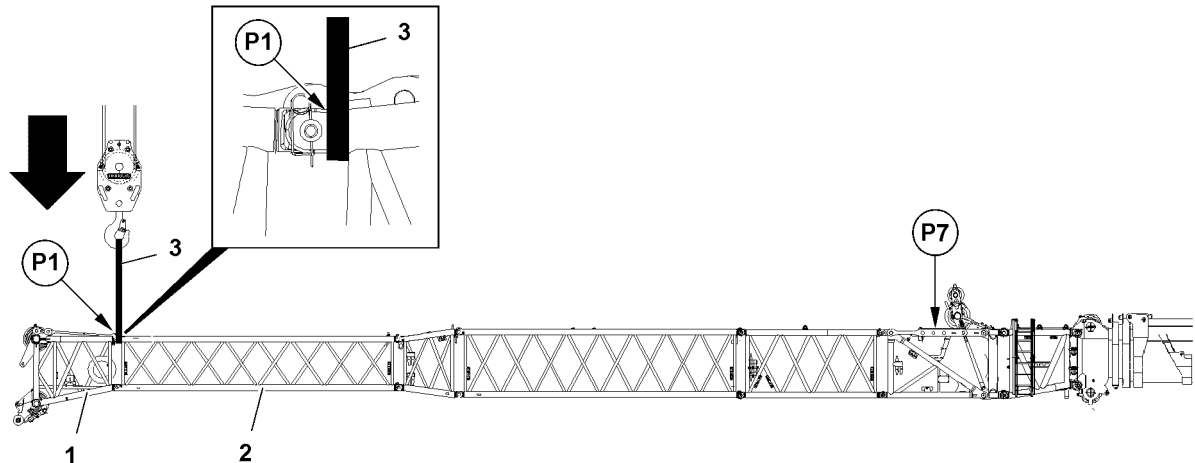


Fig.117851: Angle adjustment on the fixed lattice jib

For the angle adjustment on the fixed lattice jib, observe the following:

- The lattice jib has been completely assembled.
- Use textile type fastening equipment 3.
- Loop the textile type fastening equipment 3 on the left and right around on the pin points.

Before fastening:

- ▶ Check the position of the spring retainers and correct, if necessary.
- ▶ Fasten the textile type fastening equipment 3 on the upper pin points P1 between the end section 1 and the pinned components 2.
- ▶ Lift the lattice jib and relieve the pins on the angle adjustment P7.
- ▶ Unpin the angle adjustment P7, see Crane operating instructions, chapter 5.03.
- ▶ Set and pin a New angle on the angle adjustment P7, see Crane operating instructions, chapter 5.03.
- ▶ Lower the lattice jib.

After lowering:

- ▶ Remove the textile type fastening equipment 3.

14.5.8 Loading the preassembled lattice jib

For loading the lattice jib, observe the following:

- The lattice jib has been preassembled.
- Use textile type fastening equipment.
- Loop the textile type fastening equipment on the left and right around on the pin points.

Before fastening:

- ▶ Check the position of the spring retainers and correct, if necessary.
- ▶ Fasten the preassembled lattice jib according to the fastening points in the Crane operating instructions, chapter 5.03.

Empty page!

LWE/LR 11350-005/19004-04-02/en

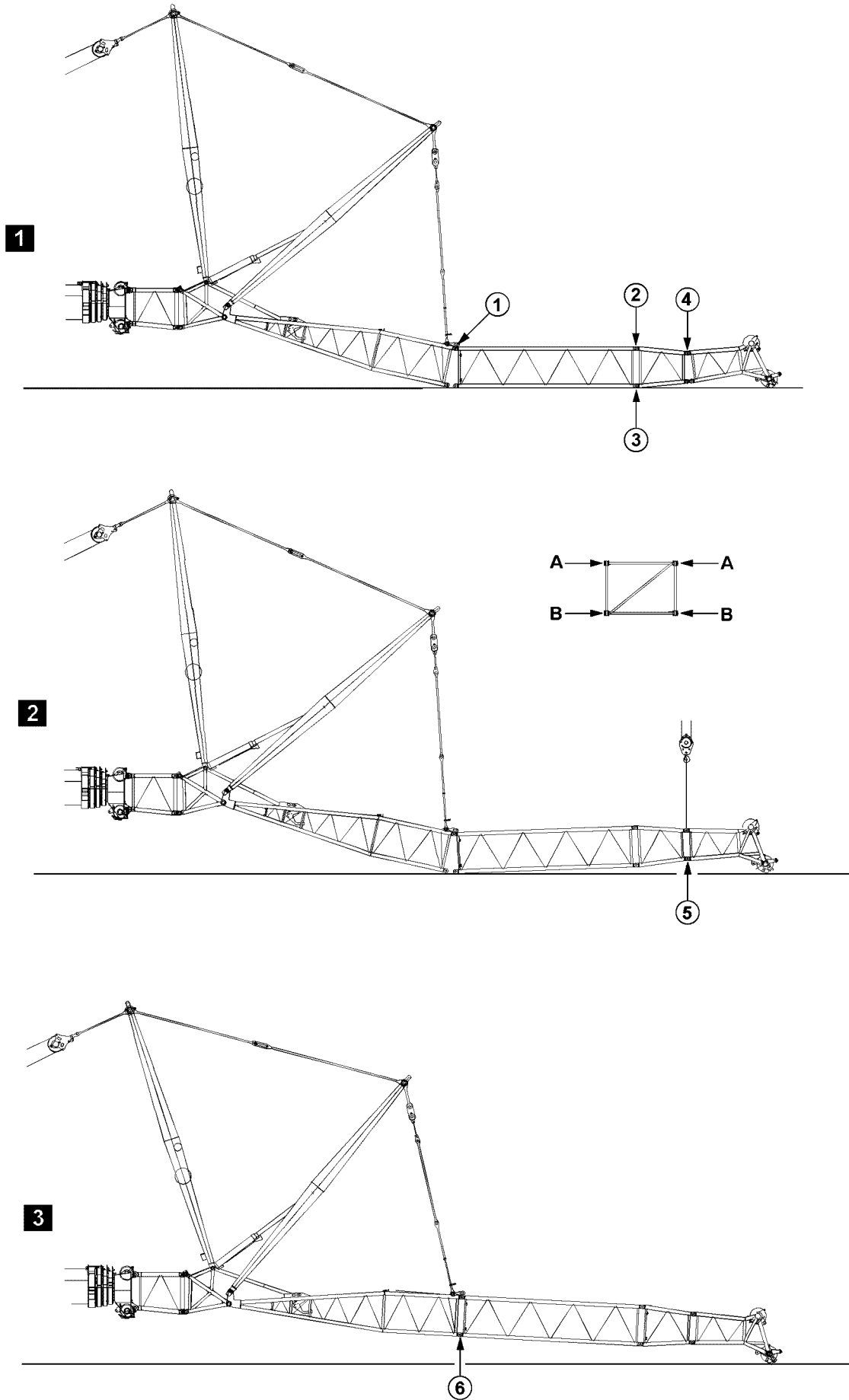


Fig.197718: Example for cranes with telescopic boom

LWE/LR 11350-005/19004-04-02/en

14.6 Assembly / disassembly of lattice sections on telescopic cranes with guyed auxiliary boom with an auxiliary crane

14.6.1 Assembly of lattice sections for guyed auxiliary boom with an auxiliary crane

The illustrations serve as examples. The illustrations may differ depending on the crane.



WARNING

Danger of fatal injury when assembling auxiliary booms!

If the pins are not pinned in the given sequence, then lattice sections may suddenly fold down or fall down.

Personnel can be killed or seriously injured.

▶ Pins must be pinned in the order specified.

- ▶ Pin and secure pins at both sides (level **A**) at point **1**, illustration 1.
- ▶ Pin and secure pins at both sides (level **A**) at point **2**, illustration 1.
- ▶ Pin and secure pins at both sides (level **B**) at point **3**, illustration 1.
- ▶ Pin and secure pins at both sides (level **A**) at point **4**, illustration 1.
- ▶ Close the end section with the auxiliary crane, illustration 2.
- ▶ Pin and secure pins at both sides (level **B**) at point **5**, illustration 2.
- ▶ Lift the lattice sections, illustration 3.
- ▶ Pin and secure pins at both sides (level **B**) at point **6**, illustration 3.

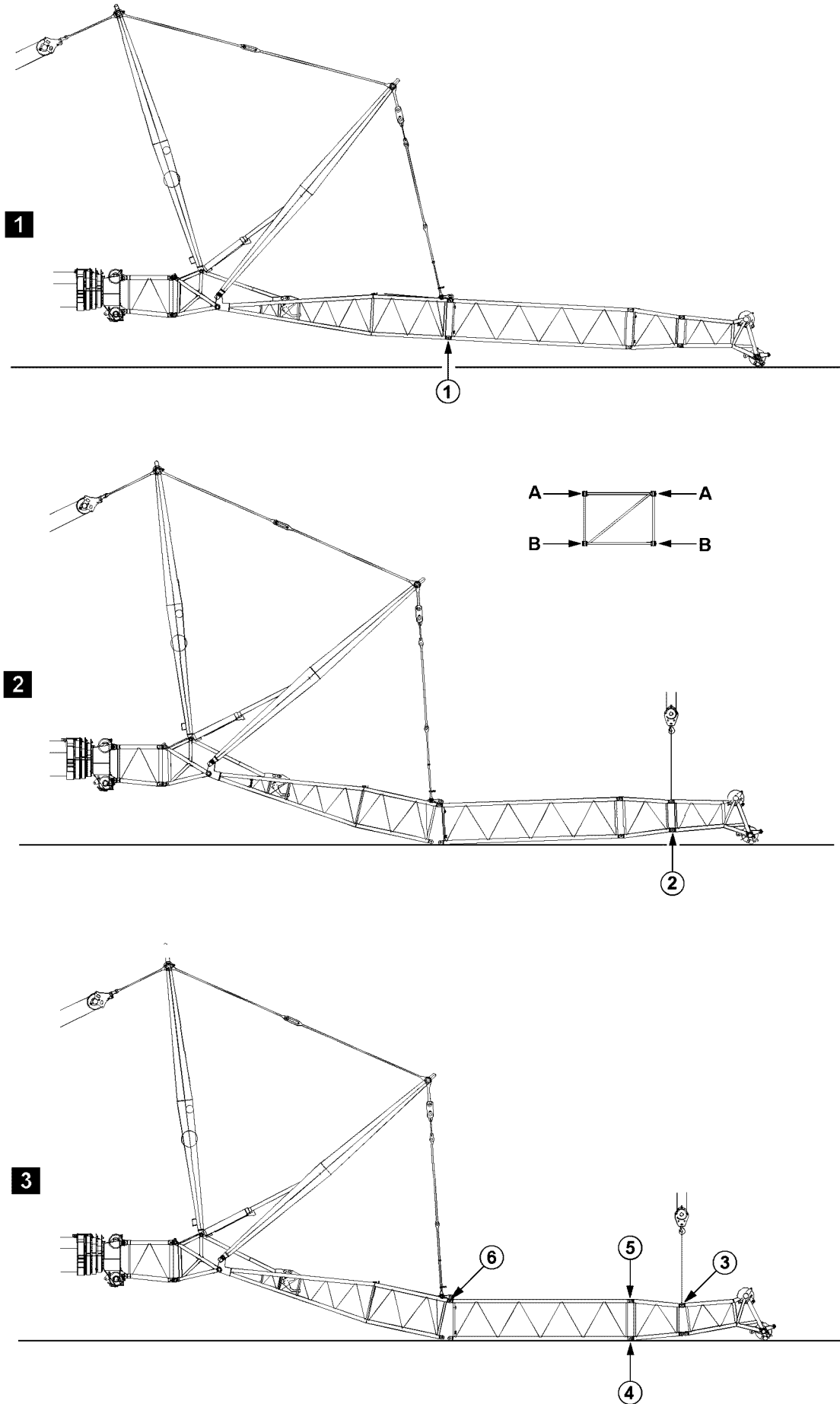


Fig.197719: Example for cranes with telescopic boom

LWE/LR 11350-005/19004-04-02/en

14.6.2 Disassembly of lattice sections for guyed auxiliary boom with an auxiliary crane

The illustrations serve as examples. The illustrations may differ depending on the crane.



WARNING

Danger of fatal injury when disassembling auxiliary booms!

If the pins are not unpinned in the given sequence, then lattice sections may suddenly fold down or fall down.

Personnel can be killed or seriously injured.

▶ Pins must be unpinned in the order specified.

- ▶ Luff the auxiliary boom down until the end section touches the ground slightly, illustration 1.
- ▶ Release and unpin the pins at both sides (level **B**) at point 1, illustration 1.
- ▶ Completely remove the lattice sections, illustration 2.
- ▶ Lift the end section with the auxiliary crane, illustration 2.
- ▶ Release and unpin the pins at both sides (level **B**) at point 2, illustration 2.
- ▶ Release and unpin the pins at both sides (level **A**) at point 3, illustration 3.
- ▶ Release and unpin the pins at both sides (level **B**) at point 4, illustration 3.
- ▶ Release and unpin the pins at both sides (level **A**) at point 5, illustration 3.
- ▶ Release and unpin the pins at both sides (level **A**) at point 6, illustration 3.

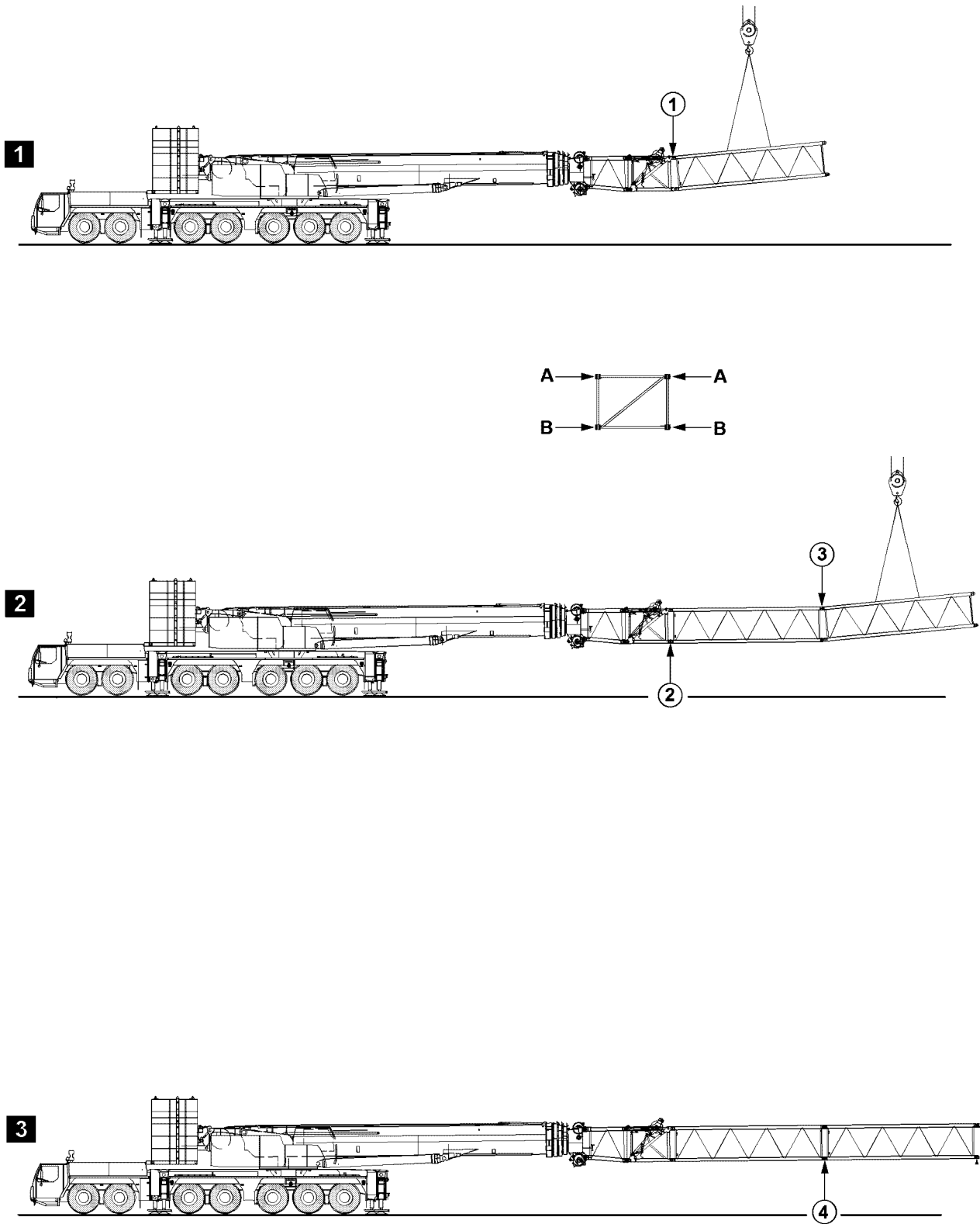


Fig.197705: Example for cranes with telescopic boom

14.7 Assembly / disassembly of lattice sections on telescopic cranes with self-supporting auxiliary boom with an auxiliary crane

14.7.1 Assembly of lattice sections on self-supporting auxiliary boom with an auxiliary crane

The illustrations serve as examples. The illustrations may differ depending on the crane.



WARNING

Danger of fatal injury when assembling auxiliary booms!

If the pins are not pinned in the given sequence, then lattice sections may suddenly fold down or fall down.

Personnel can be killed or seriously injured.

▶ Pins must be pinned in the order specified.

-
- ▶ Pin and secure pins at both sides (level **A**) at point **1**, illustration **1**.
 - ▶ Pin and secure pins at both sides (level **B**) at point **2**, illustration **2**.
 - ▶ Pin and secure pins at both sides (level **A**) at point **3**, illustration **2**.
 - ▶ Pin and secure pins at both sides (level **B**) at point **4**, illustration **3**.

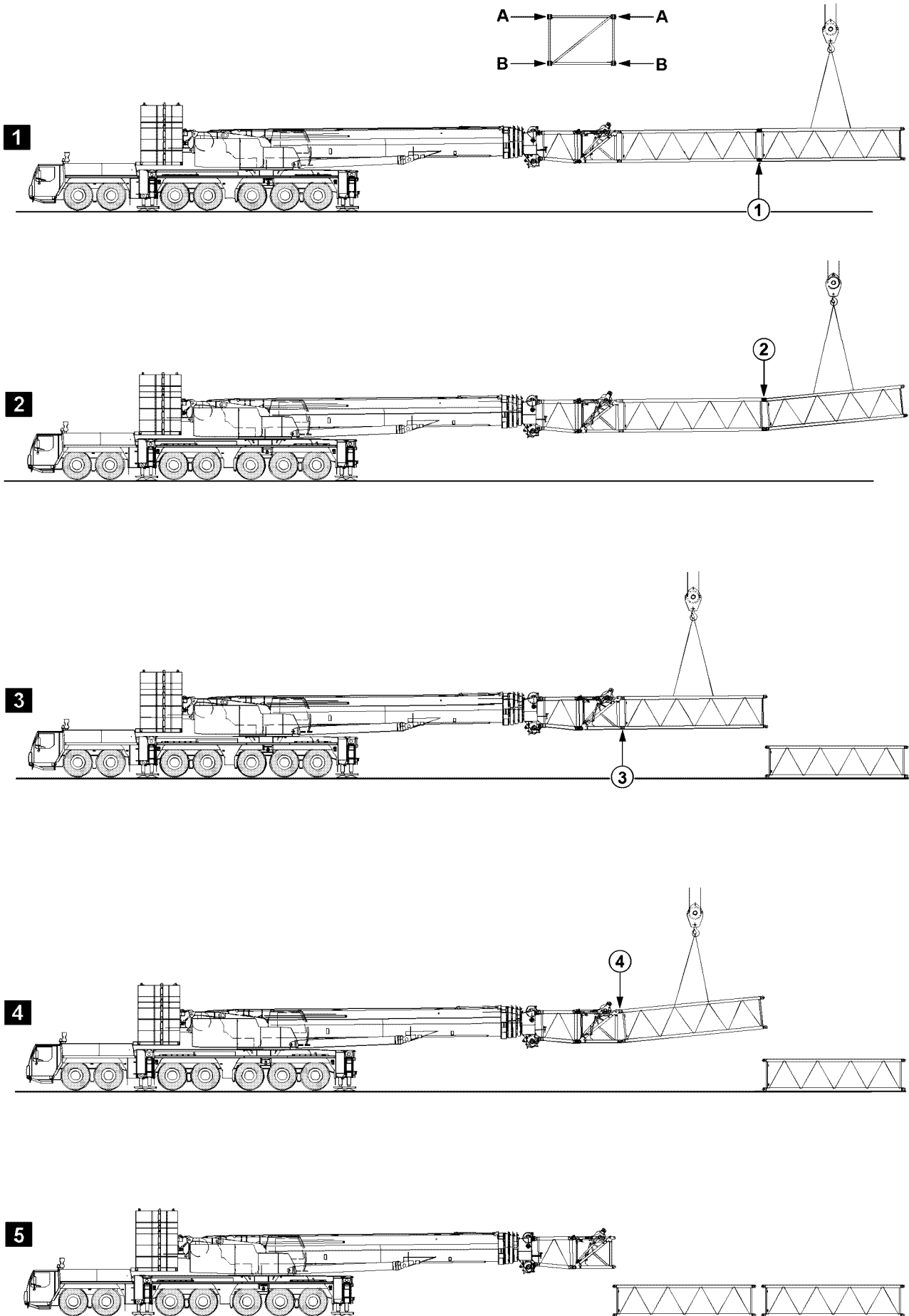


Fig.105510: Example for cranes with telescopic boom

LWE/LR 11350-005/19004-04-02/en

14.7.2 Disassembly of lattice sections on self-supporting auxiliary boom with an auxiliary crane

The illustrations serve as examples. The illustrations may differ depending on the crane.



WARNING

Danger of fatal injury when disassembling auxiliary booms!

If the pins are not unpinned in the given sequence, then lattice sections may suddenly fold down or fall down.

Personnel can be killed or seriously injured.

▶ Pins must be unpinned in the order specified.

- ▶ Release and unpin the pins at both sides (level **B**) at point **1**, illustration **1**.
- ▶ Release and unpin the pins at both sides (level **A**) at point **2**, illustration **2**.
- ▶ Release and unpin the pins at both sides (level **B**) at point **3**, illustration **3**.
- ▶ Release and unpin the pins at both sides (level **A**) at point **4**, illustration **4**.

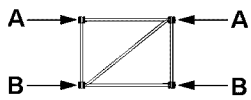
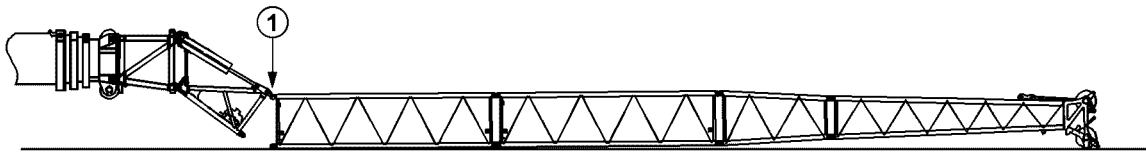
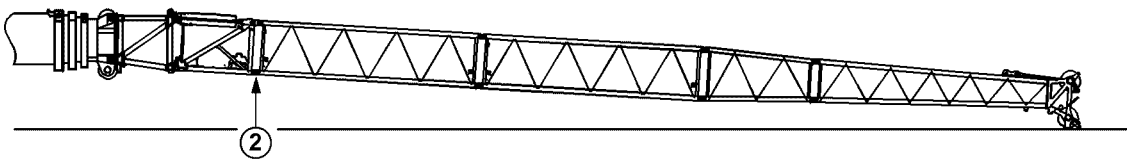
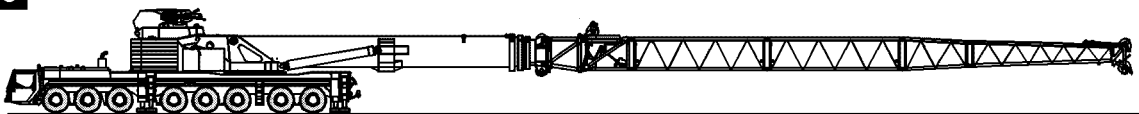
1**2****3**

Fig.197712: Example for cranes with telescopic boom

14.8 Assembly / disassembly of lattice sections on telescopic cranes with self-supporting auxiliary boom, without an auxiliary crane

14.8.1 Assembly of lattice sections on self-supporting auxiliary booms, without auxiliary crane

The illustrations serve as examples. The illustrations may differ depending on the crane.



WARNING

Danger of fatal injury when assembling auxiliary booms!

If the pins are not pinned in the given sequence, then lattice sections may suddenly fold down or fall down.

Personnel can be killed or seriously injured.

▶ Pins must be pinned in the order specified.

For cranes with hydraulic angle adjustment and self-supporting auxiliary boom, the assembly / disassembly of additional lattice sections may be performed using the crane itself.

In order to do so, proceed as follows.

- ▶ Assemble the lattice sections to the required length.
- ▶ Pin and secure pins at both sides (level **A**) at point **1**, illustration 1.
- ▶ Close the auxiliary boom until the pins can be pinned at point **2**, illustration 2.
- ▶ Pin and secure pins at both sides (level **B**) at point **2**, illustration 2.

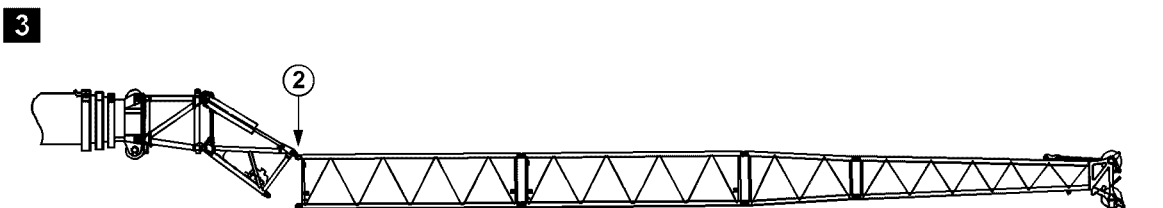
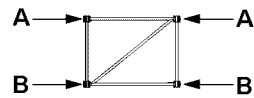
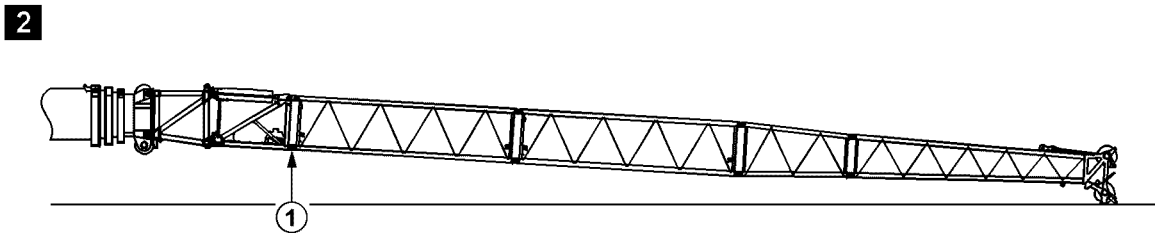
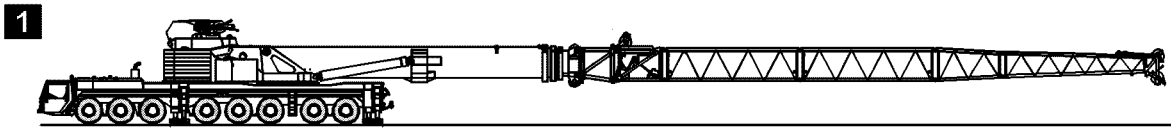


Fig.197713: Example for cranes with telescopic boom

14.8.2 Disassembly of lattice sections on self-supporting auxiliary booms, without auxiliary crane

The illustrations serve as examples. The illustrations may differ depending on the crane.



WARNING

Danger of fatal injury when disassembling auxiliary booms!

If the pins are not unpinned in the given sequence, then lattice sections may suddenly fold down or fall down.

Personnel can be killed or seriously injured.

- ▶ Pins must be unpinned in the order specified.

For cranes with hydraulic angle adjustment and self-supporting auxiliary boom, the assembly / disassembly of additional lattice sections may be performed using the crane itself.

In order to do so, proceed as follows.

NOTICE

Damage of hydraulic cylinders on the TF-adapter!

- ▶ As soon as the lattice jib is placed, stop the luff down movement.
- ▶ It is prohibited to set down the fixed lattice jib „hard“.

- ▶ Luff the main boom down until the end section touches the ground slightly, illustration 2.

If it is not possible to luff down that far:

- ▶ Adjust the TF-adapter until the end section touches the ground slightly, illustration 2.
- ▶ Release and unpin the pins at both sides (level **B**) at point 1, illustration 2.

NOTICE

Damage of hydraulic cylinders on the TF-adapter.

- ▶ As soon as the lattice jib is placed, stop the opening movement.

- ▶ Open the auxiliary boom until the lattice sections to be removed are laying completely on the ground, illustration 3.
- ▶ Release and unpin the pins at both sides (level **A**) at point 2, illustration 3.
- ▶ Completely remove the auxiliary boom.

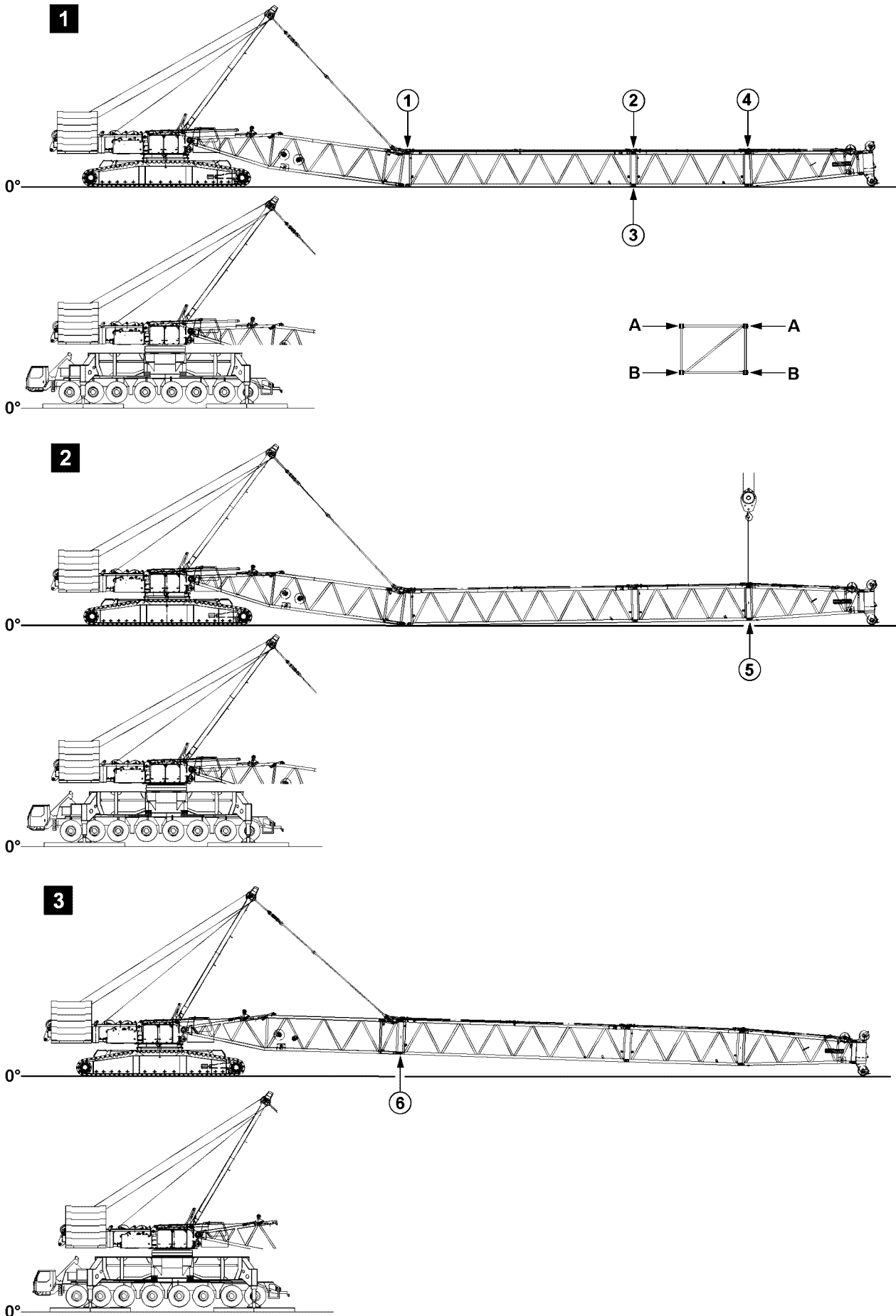


Fig.121633: Example for cranes with lattice mast booms

LWE/LR 11350-005/19004-04-02/en

14.9 Assembly / disassembly of lattice sections for lattice mast cranes

14.9.1 Assembly of lattice sections

The illustrations serve as examples. The illustrations may differ depending on the crane.



WARNING

Danger of fatal injury when assembling booms!

If the pins are not pinned in the given sequence, then lattice sections may suddenly fold down or fall down.

Personnel can be killed or seriously injured.

▶ Pins must be pinned in the order specified.

- ▶ Pin and secure pins at both sides (level **A**) at point **1**, illustration **1**.
- ▶ Pin and secure pins at both sides (level **A**) at point **2**, illustration **1**.
- ▶ Pin and secure pins at both sides (level **B**) at point **3**, illustration **1**.
- ▶ Pin and secure pins at both sides (level **A**) at point **4**, illustration **1**.
- ▶ Lift the end section with the auxiliary crane, illustration **2**.
- ▶ Pin and secure pins at both sides (level **B**) at point **5**, illustration **2**.
- ▶ Close the boom system with the SA-frame, illustration **3**.
- ▶ Pin and secure pins at both sides (level **B**) at point **6**, illustration **3**.

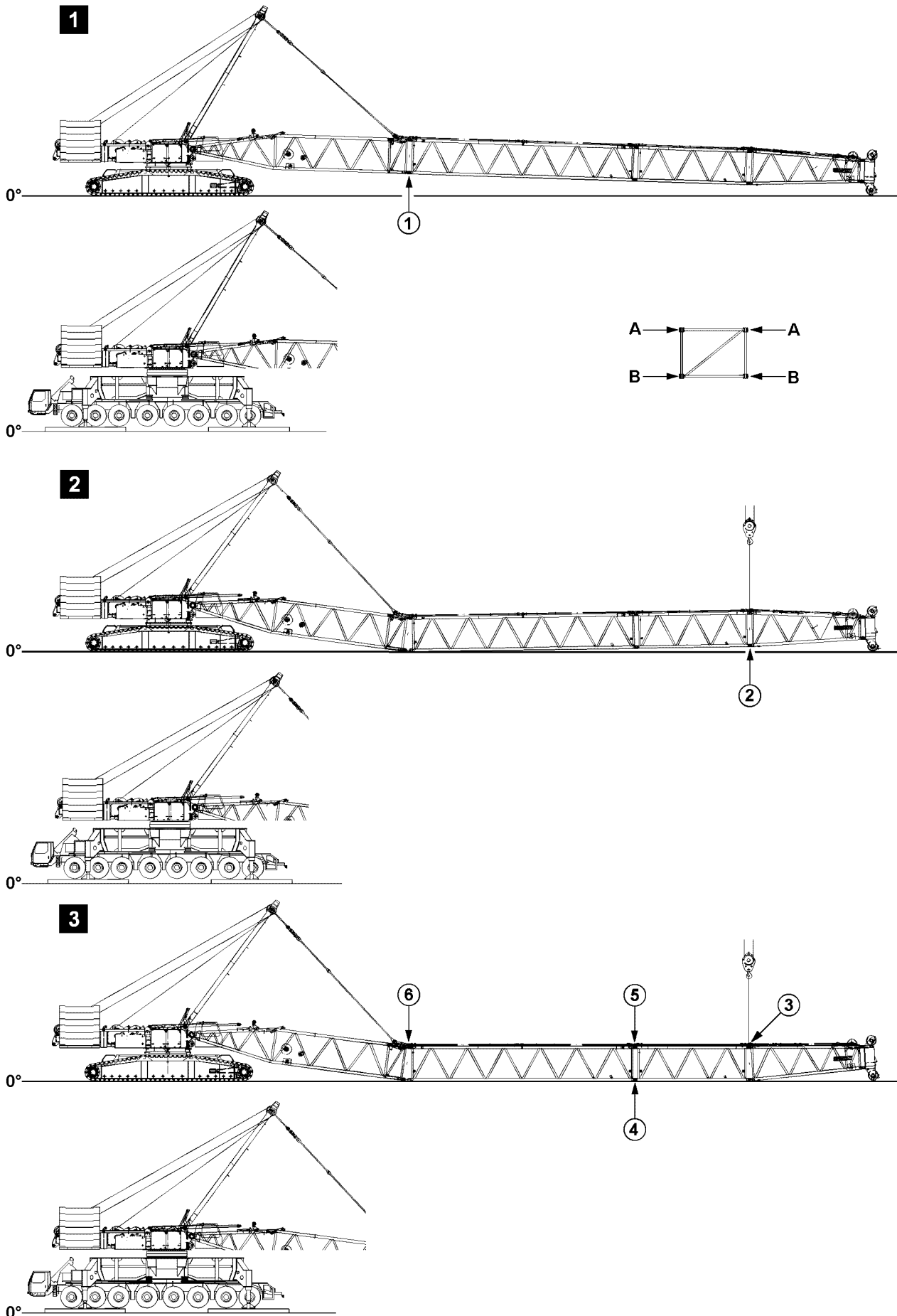


Fig.121634: Example for cranes with lattice mast booms

LWE/LR 11350-005/19004-04-02/en

14.9.2 Disassembly of lattice sections

The illustrations serve as examples. The illustrations may differ depending on the crane.



WARNING

Danger of fatal injury when disassembling booms!

If the pins are not unpinned in the given sequence, then lattice sections may suddenly fold down or fall down.

Personnel can be killed or seriously injured.

- ▶ Make sure that the SA-frame guying is tensioned before the pins are unpinned at point **1**, see illustration **1**.
 - ▶ Pins must be unpinned in the order specified.
-
- ▶ Luff the boom down until the end section touches the ground slightly, illustration **1**.
 - ▶ Guy the boom with SA-frame, illustration **1**.
 - ▶ Release and unpin the pins at both sides (level **B**) at point **1**, illustration **1**.
 - ▶ Open the boom system with the SA-frame, illustration **2**.
 - ▶ Completely remove the lattice sections, illustration **2**.
 - ▶ Lift the end section with the auxiliary crane, illustration **2**.
 - ▶ Release and unpin the pins at both sides (level **B**) at point **2**, illustration **2**.
 - ▶ Release and unpin the pins at both sides (level **A**) at point **3**, illustration **3**.
 - ▶ Release and unpin the pins at both sides (level **B**) at point **4**, illustration **3**.
 - ▶ Release and unpin the pins at both sides (level **A**) at point **5**, illustration **3**.
 - ▶ Release and unpin the pins at both sides (level **A**) at point **6**, illustration **3**.

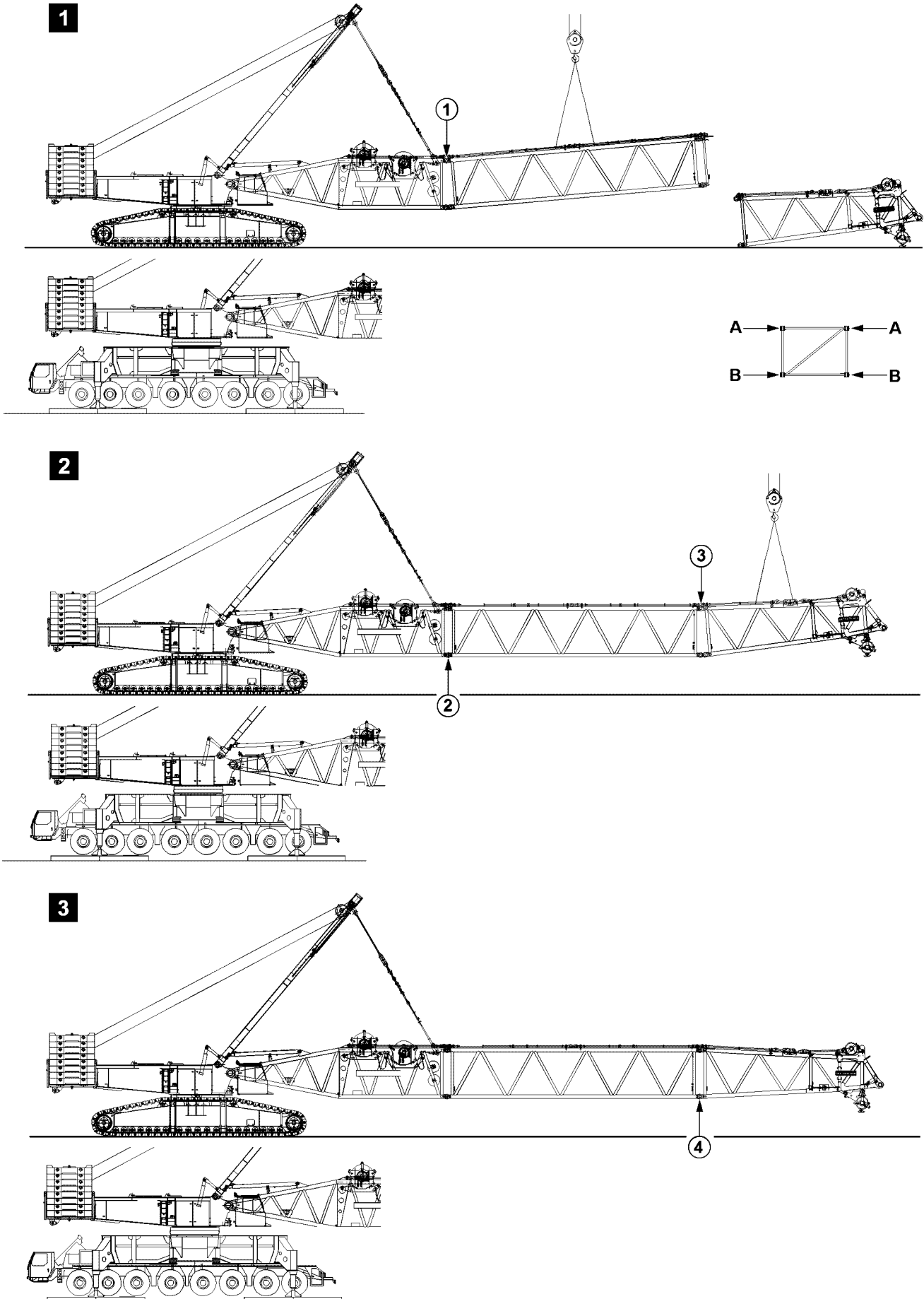


Fig.198182: Example for cranes with lattice mast booms

LWE/LR 11350-005/19004-04-02/en

14.10 Flying assembly / disassembly of lattice sections

14.10.1 Flying assembly of lattice sections

The illustrations serve as examples. The illustrations may differ depending on the crane.



WARNING

Danger of fatal injury when assembling booms!

If the pins are not pinned in the given sequence, then lattice sections may suddenly fold down or fall down.

Personnel can be killed or seriously injured.

▶ Pins must be pinned in the order specified.

- ▶ Pin and secure pins at both sides (level **A**) at point **1**, illustration **1**.
- ▶ Pin and secure pins at both sides (level **B**) at point **2**, illustration **2**.
- ▶ Pin and secure pins at both sides (level **A**) at point **3**, illustration **2**.
- ▶ Pin and secure pins at both sides (level **B**) at point **4**, illustration **3**.

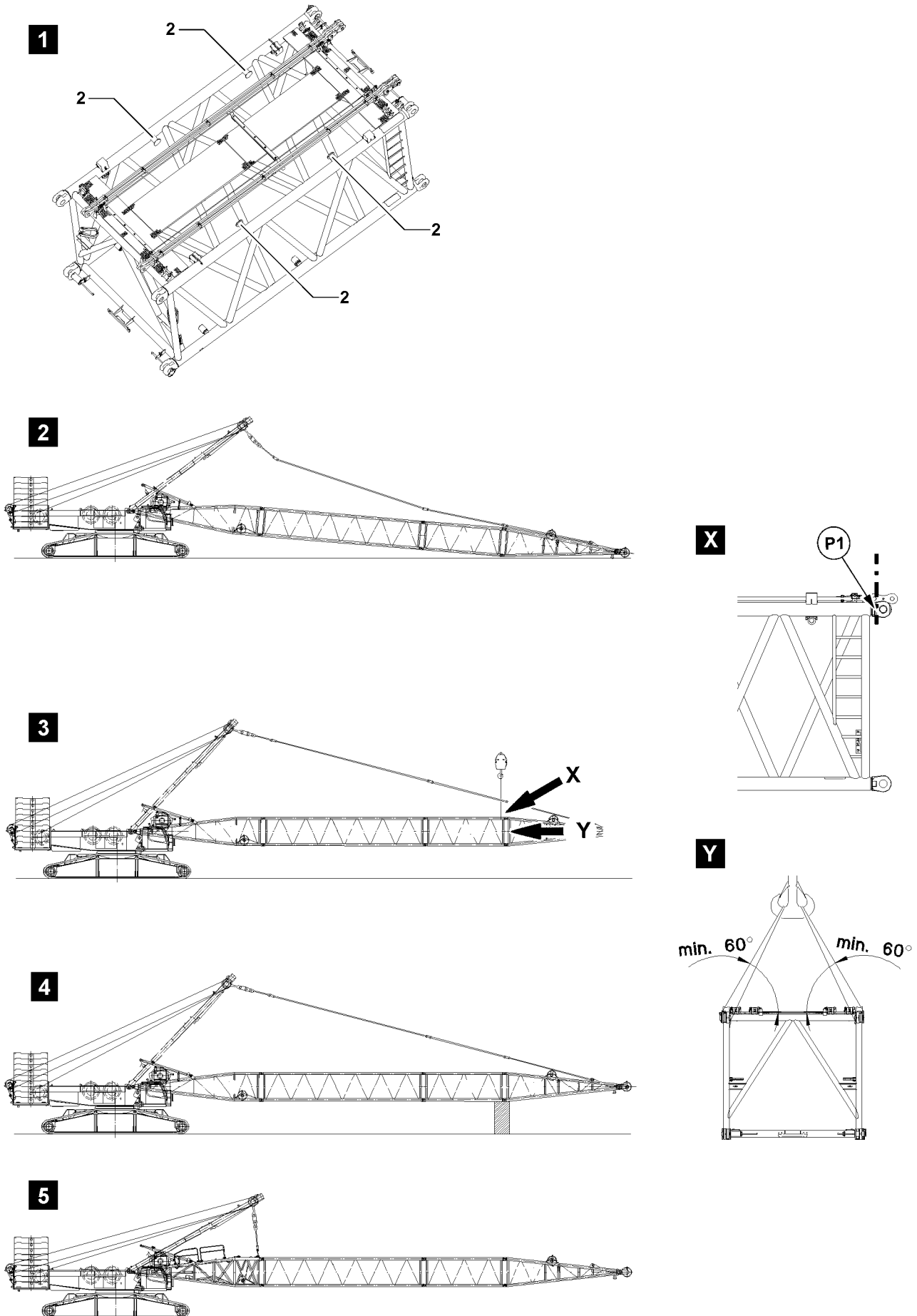


Fig.111448: Guying the pivot section with the SA-frame

LWE/LR 11350-005/19004-04-02/en

14.10.2 Flying disassembly of lattice sections

The illustrations serve as examples. The illustrations may differ depending on the crane.

The flying disassembly of lattice sections can be used on:

- Derrick boom
- Main boom

Make sure that the following prerequisite is met:

- Before guying the pivot section, secure the boom properly to prevent it from falling down!

Guying the pivot section in flying mode with the SA-frame

- ▶ Place the boom on the ground, see illustration 2.
or



WARNING

Lattice section incorrectly attached!

If the fastening equipment is attached on the bits **2** when securing the boom, then the bits will be overloaded. The lattice section will be damaged.

The boom can fall down.

Personnel can be severely injured or killed.

If the auxiliary crane is used to secure the boom for flying disassembly:

- ▶ Do **not** fasten the lattice section on the bits **2**, see illustration 1.
- ▶ Attach the fastening equipment in the area of point **P1** on both sides on the lattice section, see detail **X**.
- ▶ Make sure that the long fastening equipment is used, so that the angle between the cross section of lattice section and guyed fastening equipment is at least 60°, see detail **Y**.

Secure the boom with the auxiliary crane, see illustration 3.

or



WARNING

Falling boom!

If the boom is not properly and securely supported from below, then the boom can fall down.

- ▶ Support the boom properly and safely with suitable material.

Support the boom, see illustration 4.

Result:

- The guy rods can be disassembled.

- ▶ Place down, secure and disassemble the guy rods.
- ▶ Pin and secure the guy rods SA-frame on the pivot section.
- ▶ Tighten the guy rods SA-frame until the boom is in horizontal position.

Result:

- Pivot section is guyed in flying mode with the SA-frame, see illustration 5.
- The lattice sections can be disassembled in flying mode.

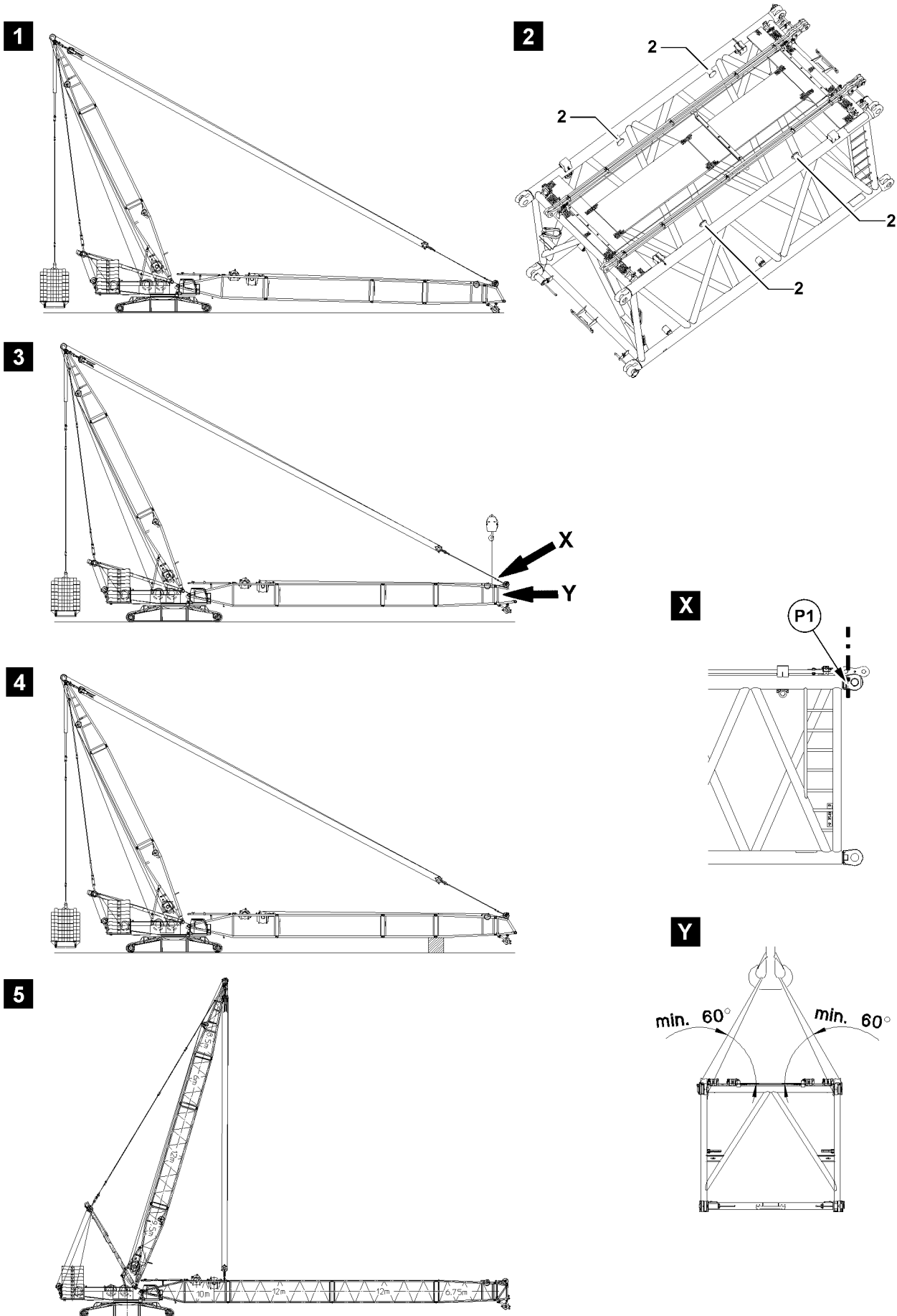


Fig.111449: Guying the pivot section with the derrick boom

LWE/LR 11350-005/19004-04-02/en

Guying the pivot section in flying mode with the derrick boom

- ▶ Place the boom on the ground, see illustration 1.
- or

**WARNING**

Lattice section incorrectly attached!

If the fastening equipment is attached on the bitts **2** when securing the boom, then the bitts will be overloaded. The lattice section will be damaged.

The boom can fall down.

Personnel can be severely injured or killed.

If the auxiliary crane is used to secure the boom for flying disassembly:

- ▶ Do **not** fasten the lattice section on the bitts **2**, see illustration 2.
- ▶ Attach the fastening equipment in the area of point **P1** on both sides on the lattice section, see detail **X**.
- ▶ Make sure that the long fastening equipment is used, so that the angle between the cross section of lattice section and guyed fastening equipment is at least 60°, see detail **Y**.

Secure the boom with the auxiliary crane, see illustration 3.

or

**WARNING**

Falling boom!

If the boom is not properly supported from below, then the boom can fall down.

- ▶ Support the boom properly and safely with suitable material.

Support the boom, see illustration 4.

Result:

- The guy rods can be disassembled.
- ▶ Place down, secure and disassemble the guy rods.
- ▶ Pin and secure the pulley block on the pivot section.
- ▶ Tighten the control rope until the boom is in horizontal position.

Result:

- Pivot section is guyed in flying mode with the derrick boom, see illustration 5.
- The lattice sections can be disassembled in flying mode.

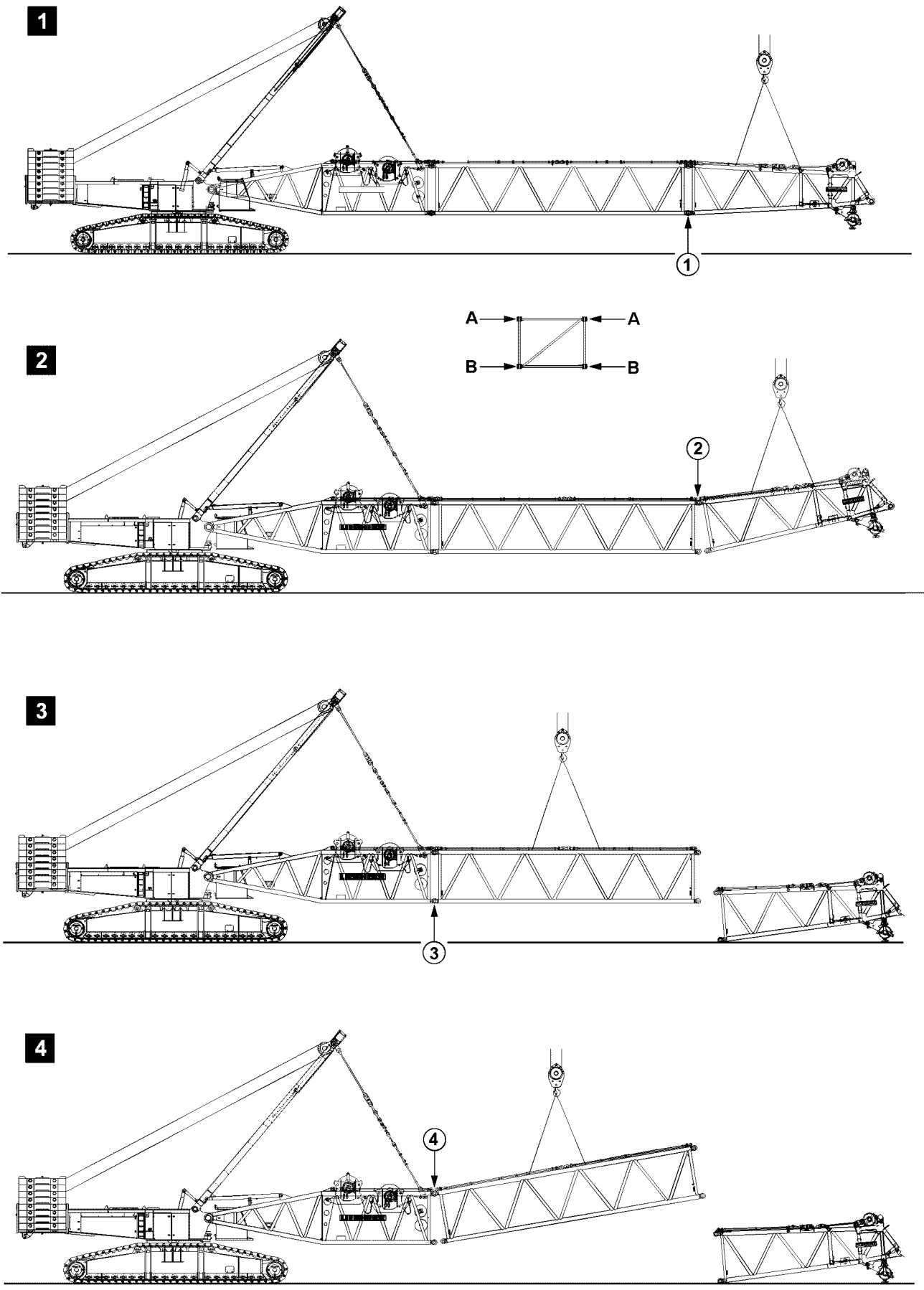


Fig.105511: Example for cranes with lattice mast booms

LWE/LR 11350-005/19004-04-02/en

Unpinning the lattice components



WARNING

Danger of fatal injury when disassembling booms!

If the pins are not unpinned in the given sequence, then lattice sections may suddenly fold down or fall down.

Personnel can be killed or seriously injured.

▶ Pins must be unpinned in the order specified.

- ▶ Release and unpin the pins at both sides (level **B**) at point **1**, illustration 1.
- ▶ Release and unpin the pins at both sides (level **A**) at point **2**, illustration 2.
- ▶ Release and unpin the pins at both sides (level **B**) at point **3**, illustration 3.
- ▶ Release and unpin the pins at both sides (level **A**) at point **4**, illustration 4.

14.11 Assembly / disassembly of boom systems for supporting on ascending terrain (assembly / disassembly schematic)



Note

- ▶ The following assembly steps are simplified and are examples and may not match your crane exactly.



WARNING

Mortal danger at assembly / disassembly of booms!

If the pins are not pinned / unpinned in the specified sequence, then lattice sections may suddenly fold down or fall down.

Personnel can be killed or seriously injured.

- ▶ Pin / unpin pins in the specified sequence, see section „Assembly of lattice sections“.
- ▶ Observe all safety technical notes in section „Assembly / disassembly“.
- ▶ Make sure that there are no persons within the danger zone.

14.11.1 Assembly of boom systems on ascending terrain

Make sure that the following prerequisites are met:

- The lattice sections are properly assembled.
- An auxiliary crane with sufficient load carrying capacity if available.

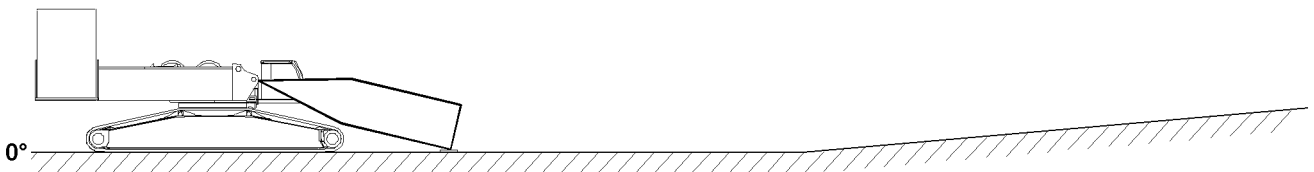


Fig. 121635: Boom - pivot section installed on turntable and placed on the ground

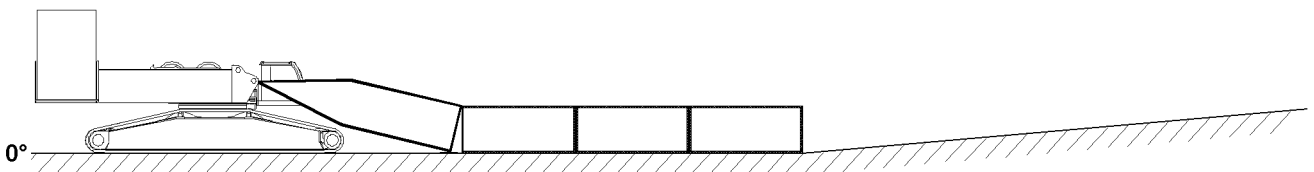


Fig. 121636: Boom - intermediate sections installed on boom - pivot section and placed on the ground

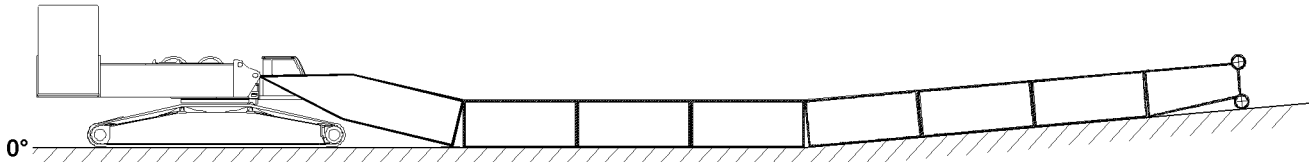


Fig.121637: Boom - intermediate sections installed and placed in ascending terrain

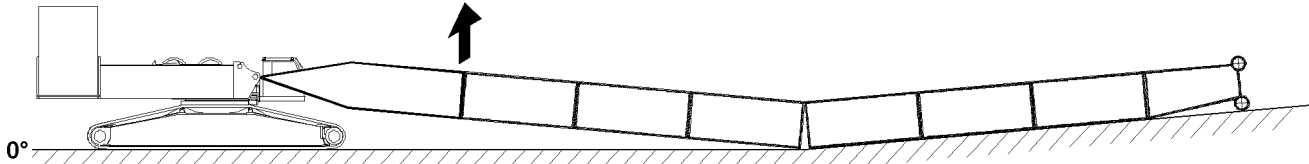


Fig.121638: Lift and close the boom system in the area of the boom - pivot section

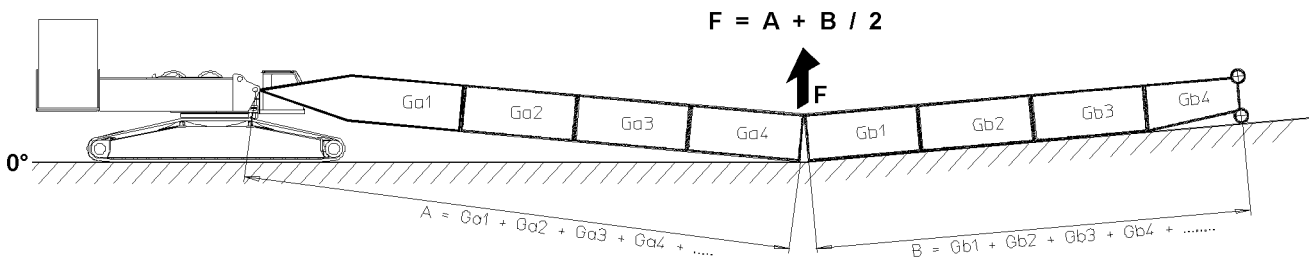


Fig.121645: Calculate the force for the closing procedure of the boom system



Note

- ▶ The abbreviations Ga1, Ga2, ... and Gb1, Gb2, ... are for the weights of the individual lattice sections.
- ▶ The weights of the lattice sections are noted on the welded on weight tags on the lattice sections.

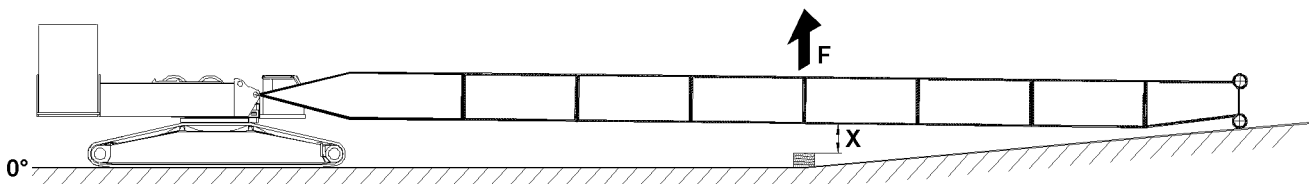


Fig.121639: Lift and close the boom system // Support the boom system



Note

- ▶ The height of the support or dimension X is noted on the respective boom assembly chapter, see Crane operating instructions, chapter 5.38 or chapter 5.39.
- ▶ Support the boom system properly after the closing procedure.

14.11.2 Disassembly of boom systems on ascending terrain

Make sure that the following prerequisites are met:

- An auxiliary crane with sufficient load carrying capacity if available.

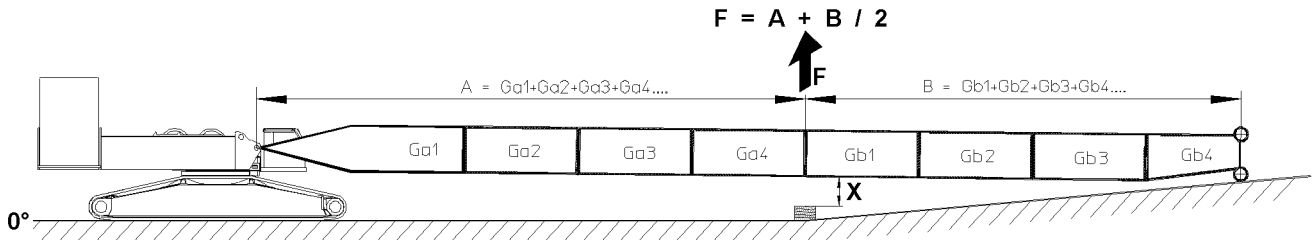


Fig. 121651: Calculation of force for opening the boom system // Lift the boom system // Remove the support // Open the boom system



Note

- ▶ The abbreviations Ga1, Ga2, ... and Gb1, Gb2, ... are for the weights of the individual lattice sections.
- ▶ The weights of the lattice sections are noted on the welded on weight tags on the lattice sections.

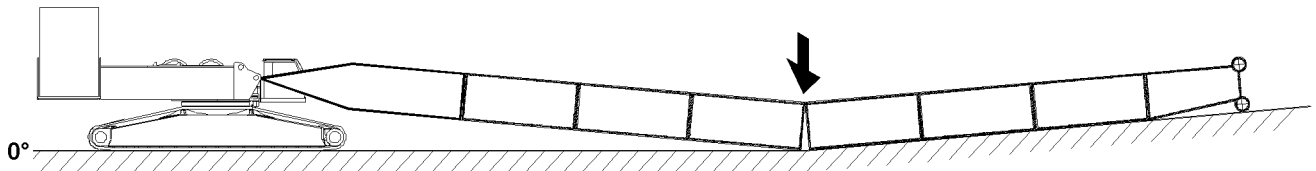


Fig. 121657: Place the boom system down

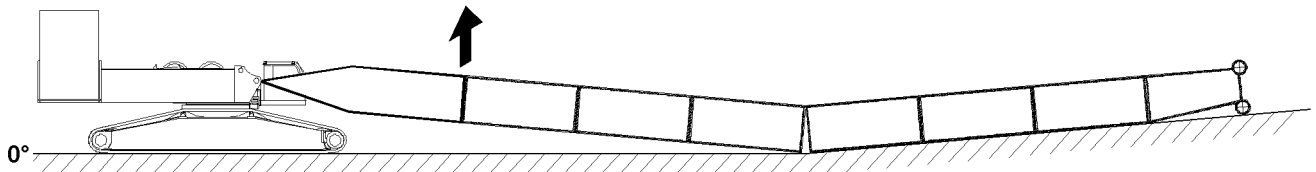


Fig. 121652: Lift and open the boom system

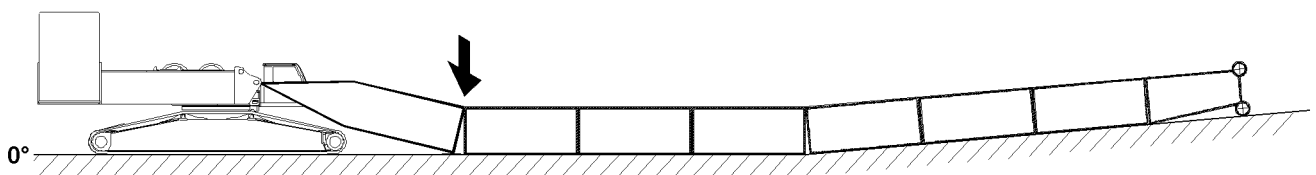


Fig. 121653: Place the boom system down

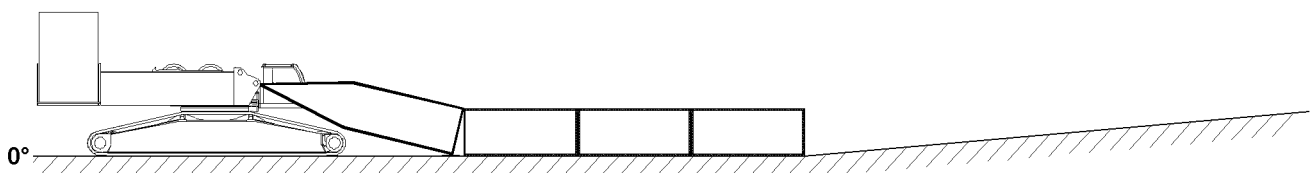


Fig. 121636: Disassemble and remove the boom - intermediate sections with the end section

LWE/LR 11350-005/19004-04-02/en

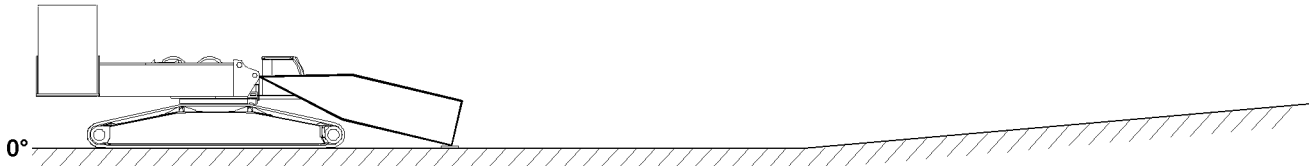


Fig.121635: Disassemble and remove the boom - intermediate sections to the boom - pivot section

- ▶ Disassemble and remove the boom - pivot section.

14.12 Assembly / disassembly of boom systems for supporting on descending terrain (assembly / disassembly schematic)



Note

- ▶ The following assembly steps are simplified and are examples and may not match your crane exactly.



WARNING

Mortal danger at assembly / disassembly of booms!

If the pins are not pinned / unpinned in the specified sequence, then lattice sections may suddenly fold down or fall down.

Personnel can be killed or seriously injured.

- ▶ Pin / unpin pins in the specified sequence, see section „Assembly of lattice sections“.
- ▶ Observe all safety technical notes in section „Assembly / disassembly“.
- ▶ Make sure that there are no persons within the danger zone.

14.12.1 Assembly of boom systems on descending terrain

Make sure that the following prerequisites are met:

- The lattice sections are properly assembled.
- An auxiliary crane with sufficient load carrying capacity if available.

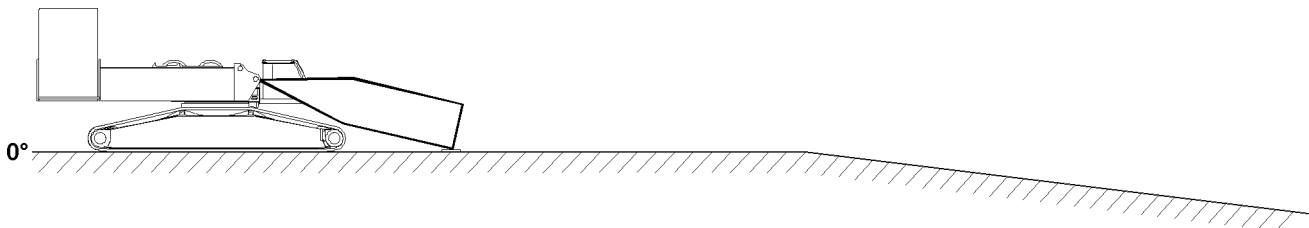


Fig.121640: Boom - pivot section installed on turntable and placed on the ground

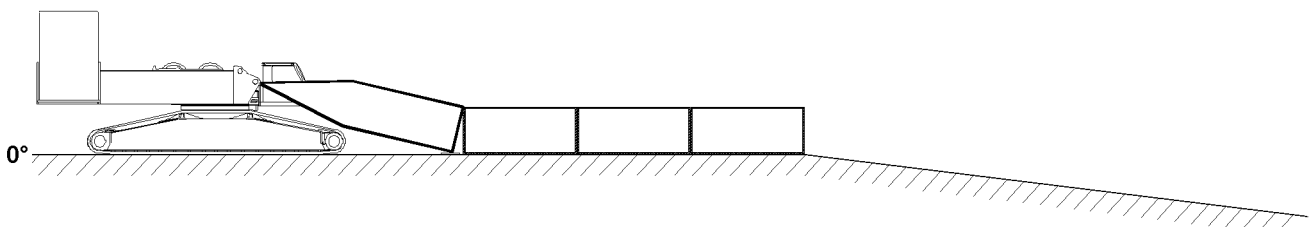


Fig.121641: Boom - intermediate sections installed on boom - pivot section and placed on the ground

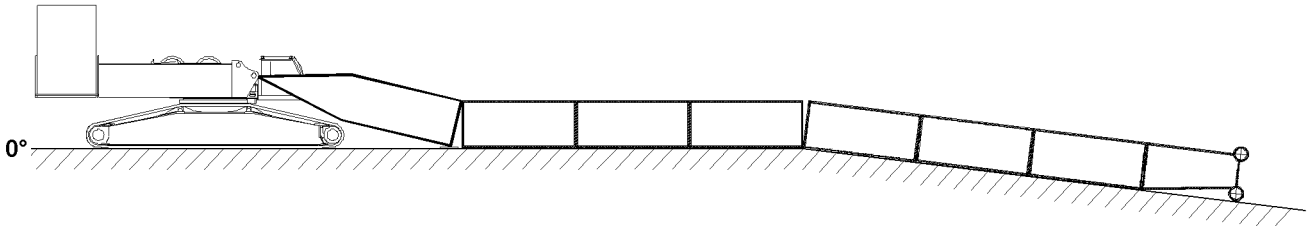


Fig.121642: Boom - intermediate sections installed and placed in descending terrain

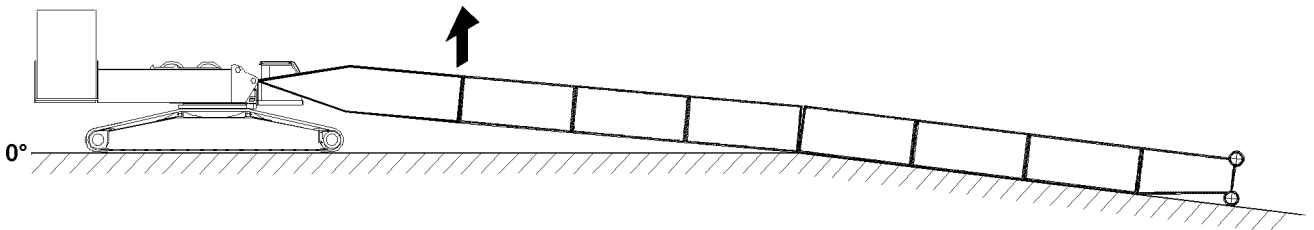


Fig.121643: Lift and close the boom system in the area of the boom - pivot section

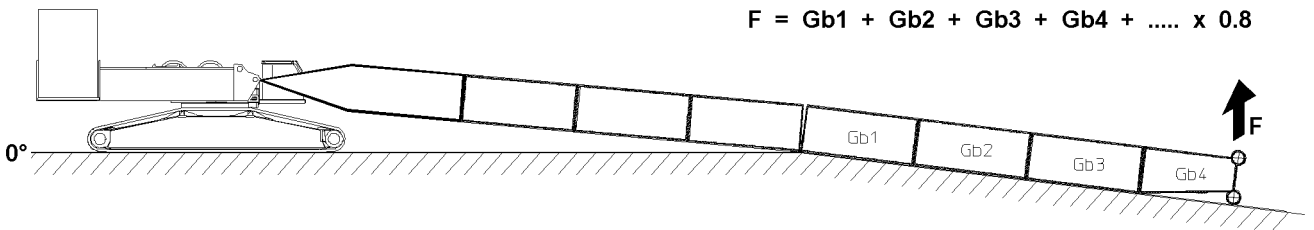


Fig.121646: Calculate the force for the closing procedure of the boom system



Note

- ▶ The abbreviations Gb1, Gb2, ... are for the weights of the individual lattice sections.
- ▶ The weights of the lattice sections are noted on the welded on weight tags on the lattice sections.

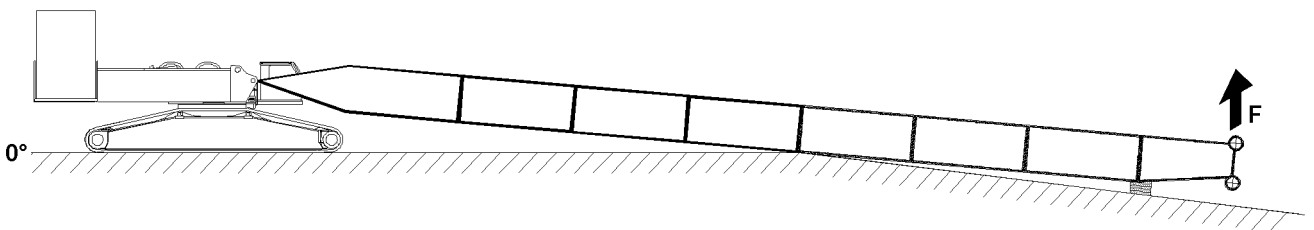


Fig.121644: Lift and close the boom system // Support the boom system



Note

- ▶ The height of the support depends on the lay of the terrain and the resulting incline of the boom system.
- ▶ Support the boom system properly after the closing procedure.

14.12.2 Disassembly of boom systems on descending terrain

Make sure that the following prerequisite is met:

- An auxiliary crane with sufficient load carrying capacity if available.

LWE/LR 11350-005/19004-04-02/en

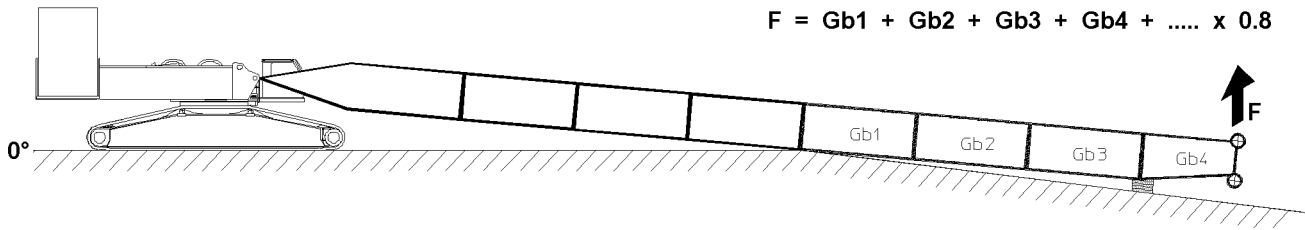


Fig.121654: Calculation of force for opening the boom system // Lift the boom system // Remove the support // Open the boom system



Note

- ▶ The abbreviations Gb1, Gb2, ... are for the weights of the individual lattice sections.
- ▶ The weights of the lattice sections are noted on the welded on weight tags on the lattice sections.

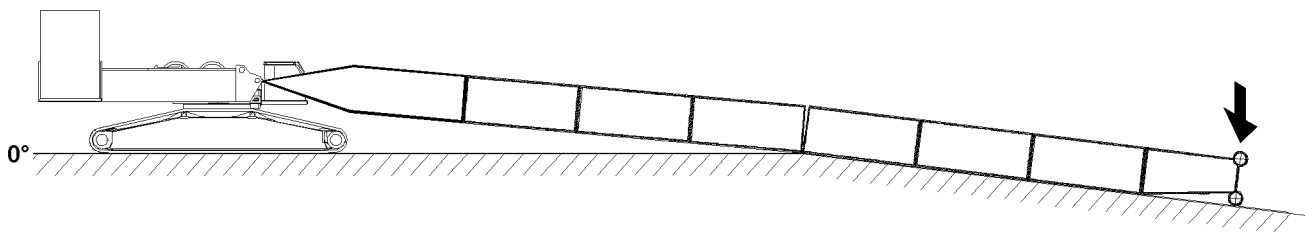


Fig.121658: Place the boom system down

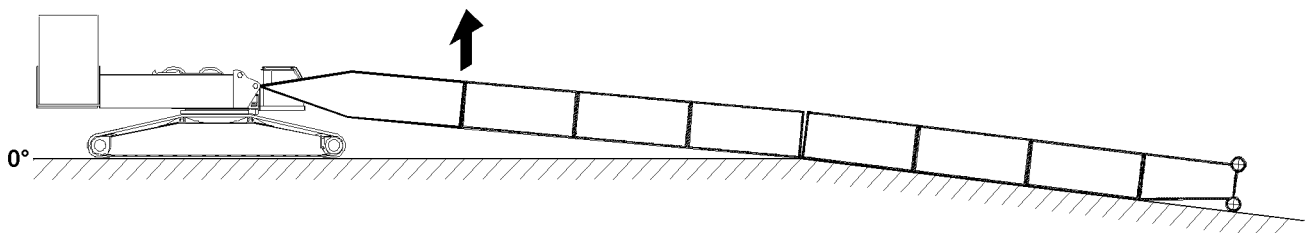


Fig.121655: Lift and open the boom system

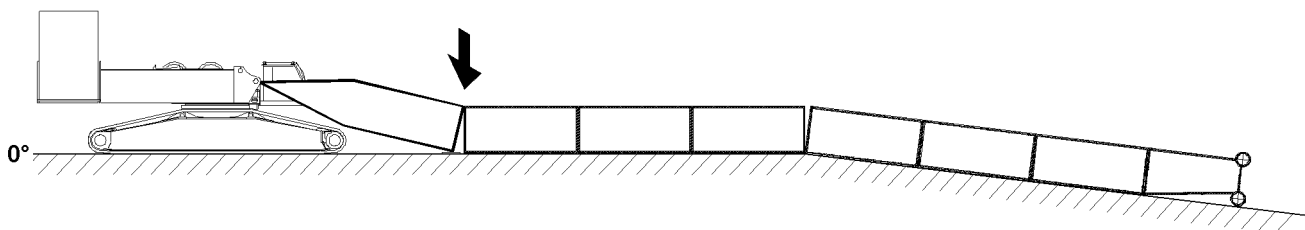


Fig.121656: Place the boom system down

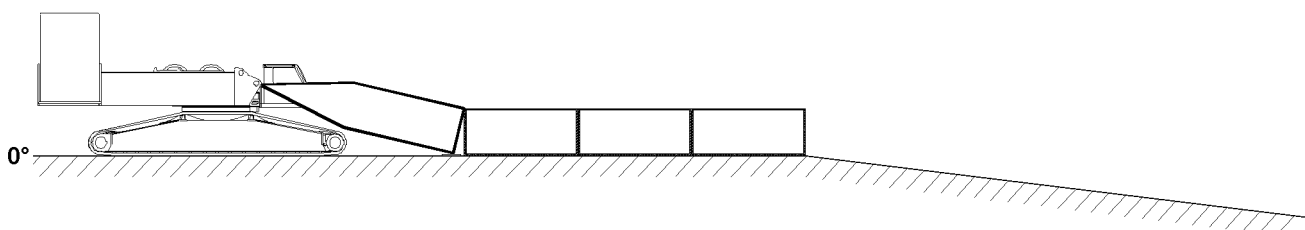


Fig.121641: Disassemble and remove the boom - intermediate sections with the end section

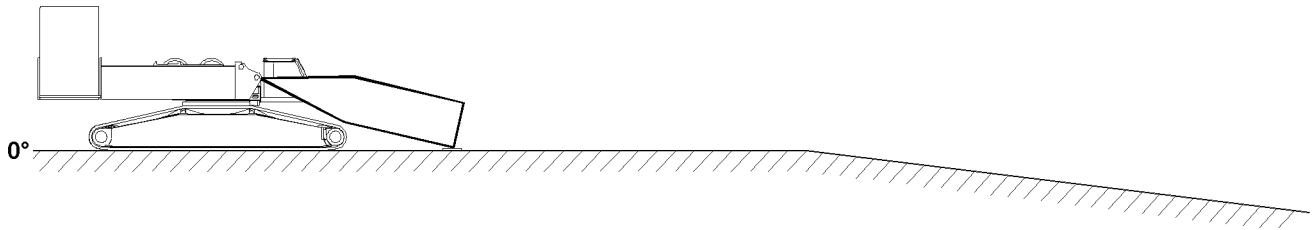


Fig.121640: Disassemble and remove the boom - intermediate sections to the boom - pivot section

- ▶ Disassemble and remove the boom - pivot section.

14.13 Bypass for assembly and disassembly

Depending on the crane version, the „Bypass at assembly and disassembly“ is activated by:

- The set up button (key button) on the LICCON monitor.
- The assembly key button in the instrument panel.



WARNING

High risk of accident in crane operation with activated „Bypass at assembly and disassembly“! At activated „Bypass at assembly and disassembly“ the overload protection and possibly bypassed hoist limit switches.

In the event of deliberate improper use, the crane could collapse, the boom can break off or the crane can topple over.

Personnel can be killed.

This could result in high property damage.

- ▶ The activation of the „Bypass at assembly and disassembly“ is only permissible for assembly and disassembly purposes.
- ▶ All other usage of the „Bypass at assembly and disassembly“ other than as described in the operating instructions is prohibited.
- ▶ The „Bypass at assembly and disassembly“ may only be activated by persons who are aware of the consequences of a bypass.
- ▶ Crane operation with activated „Bypass at assembly and disassembly“ is strictly prohibited.
- ▶ The „Bypass at assembly and disassembly“ must be deactivated immediately after assembly and disassembly work.
- ▶ The crane operator or a person authorized by him must make sure that no misuse of the bypass device is possible (remove the key and store it safely, if necessary).

14.13.1 Activating the bypass at assembly and disassembly



Note

- ▶ Applies only for cranes with LICCON overload protection.
- ▶ Indicator light „Assembly“ is only present in the instrument panel for certain crane types.



Fig.113438

- Illustration 1: LICCON monitor (only certain crane types).
- Illustration 2: Indicator light „Assembly“ in instrument panel crane cab (only certain crane types).
- ▶ Actuate the respective operating element.

Result:

- The LICCON overload protection is bypassed / inactive and the „Bypass at assembly and disassembly“ is activated.

- The „Assembly“ icon appears in the LICCON monitor and / or the indicator light „Assembly“ in the instrument panel lights up.
- Depending on the circumstances, acoustical and / or optical warning signals (blinkers, flashing lights, bells and horns).

14.13.2 Bypass at assembly and disassembly



Note

- ▶ Applies only for cranes with LICCON overload protection.
- ▶ Indicator light „Assembly“ is only present in the instrument panel for certain crane types.



Fig.113437

- ▶ No longer actuate the respective operating element or reset.

Result:

- The LICCON overload protection is active and the „Bypass at assembly and disassembly“ is deactivated.
- The „Assembly“ icon turns off in the LICCON monitor and / or the indicator light „Assembly“ in the instrument panel no longer lights up.
- The acoustical and / or optical warning signals which were triggered by the bypass are turned off again.

14.14 Bypassing during crawler assembly



Note

- ▶ Applies only for cranes with crawler assembly key button.

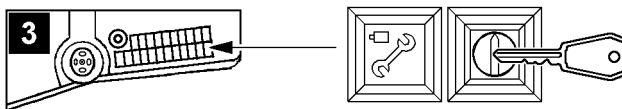


Fig.113441

- Illustration 3: Crawler assembly key button and indicator light

Make sure that the following prerequisite is met:

- The LICCON overload protection is bypassed / inactive and the „Bypass at assembly and disassembly“ is activated.



WARNING

High risk of injury in case of actuated crawler assembly key button!

If the crawler assembly key button is actuated, the overload protection is bypassed. No shut off at overload will occur in assembly operation nor in crane operation.

In the event of deliberate misuse, the crane can topple over.

Personnel can be killed.

This could result in high property damage.

- ▶ The crawler assembly key button may only be actuated for assembly tasks.
- ▶ All other usage of the crawler assembly key button other than as described in the operating instructions is prohibited.
- ▶ Operating the crane with the crawler assembly key button enabled is strictly prohibited.

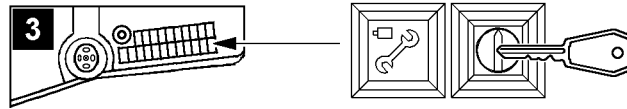


Fig. 113441

- ▶ Actuate the crawler assembly key button.

Result:

- The LICCON overload protection is inactive.
- The indicator light „Crawler assembly“ lights up.

If the bypass at crawler assembly is to be turned off:

- ▶ Turn the crawler assembly off by pressing the off button.

Result:

- The indicator light in the button turns off.

14.15 Assembling / disassembly of hydraulic lines

When connecting and releasing hydraulic lines with quick couplings, make sure that the coupling procedure is carried out correctly.

**WARNING**

Danger of accident due to loss of pressure or leakage!

Incorrectly coupled or self-loosening quick couplings (particularly return lines) can result in serious accidents due to component failure.

Personnel can be severely injured or killed.

- ▶ Check the quick couplings after assembly for correct connection.

**WARNING**

Pressure in the hydraulic lines!

If the pressure supply is not interrupted before releasing the hydraulic lines, the hydraulic oil can escape with high pressure.

Personnel can be severely injured or killed.

- ▶ Release the pressure in the hydraulic system before releasing. Interrupt the pressure supply and wait for a short time.

- ▶ Release the pressure in the hydraulic system before connecting and disconnecting: Turn the engine off and wait for short time.
- ▶ Connect the coupling components (sleeve and connector) and screw together with the hand-tightened nut.
- ▶ Tighten the hydraulic coupling by hand. Rotate the hand-tightened nut until it reaches a tangible, fixed stop position.

14.16 Assembly / disassembly of electrical lines

NOTICE

Danger of damage of electrical connections!

If the following measures are not adhered to, the electrical connections can be damaged.

- ▶ Do not plug in the plug connection or unplug them under tension.
- ▶ Do not pinch or crush electrical connections.

When pulling the cable out:

- ▶ Hold the plug and not the cable. Do not pull on the cable to release the plug connection.
- ▶ Relieve the electrical connections in operating condition.
- ▶ In case of defective or faulty electrical lines, contact Service at Liebherr-Werk Ehingen.

NOTICE

Corroding of plug connections!

The plug connections are only protected when plugged in. If the plug connections are not plugged in, then the contact surfaces can corrode.

- ▶ Always plug or screw the plug connections together properly.
- ▶ Keep plug connections clean and dry. Clean contact surfaces provide the best signal transfer.

If a pull release for the cable drum is present:

- ▶ Hang the pull release in on the fixed point and relieve the plug connections from the pull strain.

After installing the plug connections:

- ▶ Check all plug connections for proper connection.

If a plug connection is not properly connected:

- ▶ Plug or screw the plug connection together properly.

After removing the plug connections:

- ▶ Protect the electrical connections with dust caps or place them in intended parking retainers.

If locking brackets are present:

- ▶ Close the locking bracket.

15 Erection / take down

**WARNING**

The crane can topple over!

Due to an unforeseen occurrence, for example: Sudden strong wind or storm can lead to dangerous operating situations, up to toppling the crane.

Personnel can be severely injured or killed.

- ▶ The boom must be able to be placed down at any time with its current equipment, observe the erection and take down charts.
- ▶ The required counterweight must always be in direct vicinity of the crane.
- ▶ The crane operator must ensure that the required counterweight is carried along when driving the crane with the equipment in place and that the boom can be placed down at any time.

**WARNING**

Mortal danger.

- ▶ Incorrectly installed or non-functioning limit switches as well as falling parts (pins, spring retainers, ice etc.) can cause accidents.

15.1 Erection / take down for mobile cranes

Make sure that the following prerequisites are met:

- The crane is properly supported.
 - The crane is horizontally aligned.
 - The counterweight has been installed on the turntable according to the load chart or the erection / take down charts.
 - The derrick ballast (suspended ballast or ballast trailer ballast) is installed according to the load chart or the erection / take down charts.
 - The telescopic boom is fully telescoped in.
 - The boom has been installed according to the load chart and the Crane operating instructions.
 - The hoist rope has been correctly placed in the rope pulleys and prevented from jumping out with the rope retaining pins.
 - All limit switches have been correctly installed and are fully functional.
 - All pin connections have been secured.
 - No personnel is within the danger zone.
 - There are no loose parts on the boom or the auxiliary boom.
 - In winter, the exposed rope pulleys must be kept free of snow, frost and ice.
 - In winter, the telescopic boom, the auxiliary boom and their associated components (limit switches, cable drum, flashing beacon, wind speed sensor etc.) must be kept free of ice and snow.
- ▶ Check if all prerequisites have been met.

15.2 Erection / take down for crawler cranes

Make sure that the following prerequisites are met:

- The crane is horizontally aligned.
 - The crane is properly supported (cranes with support).
 - The counterweight has been installed on the turntable according to the load chart.
 - The central ballast has been installed according to the load chart.
 - The counterweight is installed according to the load chart or the erection / take down charts.
 - The derrick ballast (suspended ballast or ballast trailer ballast) is installed according to the load chart or the erection / take down charts.
 - The boom has been installed according to the load chart and the Crane operating instructions.
 - The hoist rope has been correctly placed in the rope pulleys and prevented from jumping out with the rope retaining pins.
 - All limit switches have been correctly installed and are fully functional.
 - All pin connections have been secured.
 - No personnel is within the danger zone.
 - There are no loose parts on the boom or the auxiliary boom.
 - In winter, the exposed rope pulleys must be kept free of snow, frost and ice.
 - In winter, the boom, the auxiliary boom and their associated components (limit switches, cable drum, flashing beacon, wind speed sensor etc.) must be kept free of ice and snow.
- ▶ Check if all prerequisites have been met.

15.3 Rigging the guy rods on lattice booms on placed down boom system



WARNING

Danger of fatal injury due to damaged guy rods!

If the boom system is placed on the ground or a load bearing support in strong wind or longer downtime, the guy rods can be damaged due to wind influence on the boom guying. This wind influenced oscillations can lead to fatigue on the guy rods.

As a result, the guy rods could break or rip off under load - for example when erecting the boom system or in crane operation. The boom system can therefore fall uncontrolled forward onto the ground. Personnel can be severely injured or killed.

- ▶ Make sure that the guy rods are placed completely on the lattice sections and relieved when the boom systems are placed on the ground.
- ▶ Make sure that freely suspended guy rods are rigged on the lattice boom.
- ▶ Make sure that the upper pulley block is rigged on the lattice boom in Derrick operating modes.
- ▶ Make sure, that the guying on the luffing lattice jib is removed on lattice mast cranes.
- ▶ Make sure that the guy rods are inspected before resuming crane operation and that no damage or cracks are present.
- ▶ Make sure that the maintenance intervals of the guy rods are adhered to.



Note

- ▶ In case of strong wind or longer downtimes of the crane, the boom system must be placed on the ground or on a load bearing support.
- ▶ The guying must be relieved and the guy rods must be placed on the transport receptacles.
- ▶ The following illustrations are examples and may not match your crane exactly.

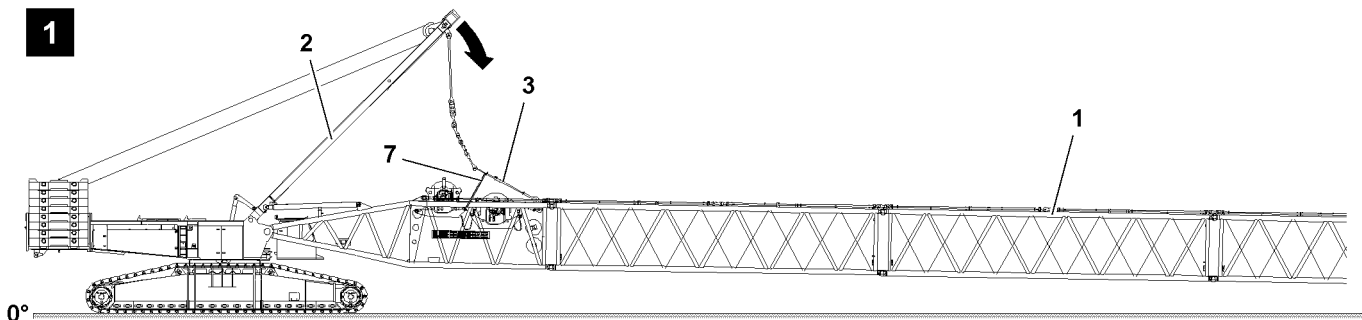


Fig.120722: Guying placed in transport receptacle and SA-frame guying relieved

- ▶ Place the guy rods on the lattice sections **1**: Luff the SA-frame **2** to the front until the guying is placed completely in the transport receptacles on the lattice sections and the SA-frame guying **3** is relieved, see illustration **1**.
- ▶ To minimize side oscillation of the SA-frame guying **3** due to wind influence: Rig the SA-frame guying **3** with suitable rigging straps / ropes **7** against the boom, see illustration **1**.

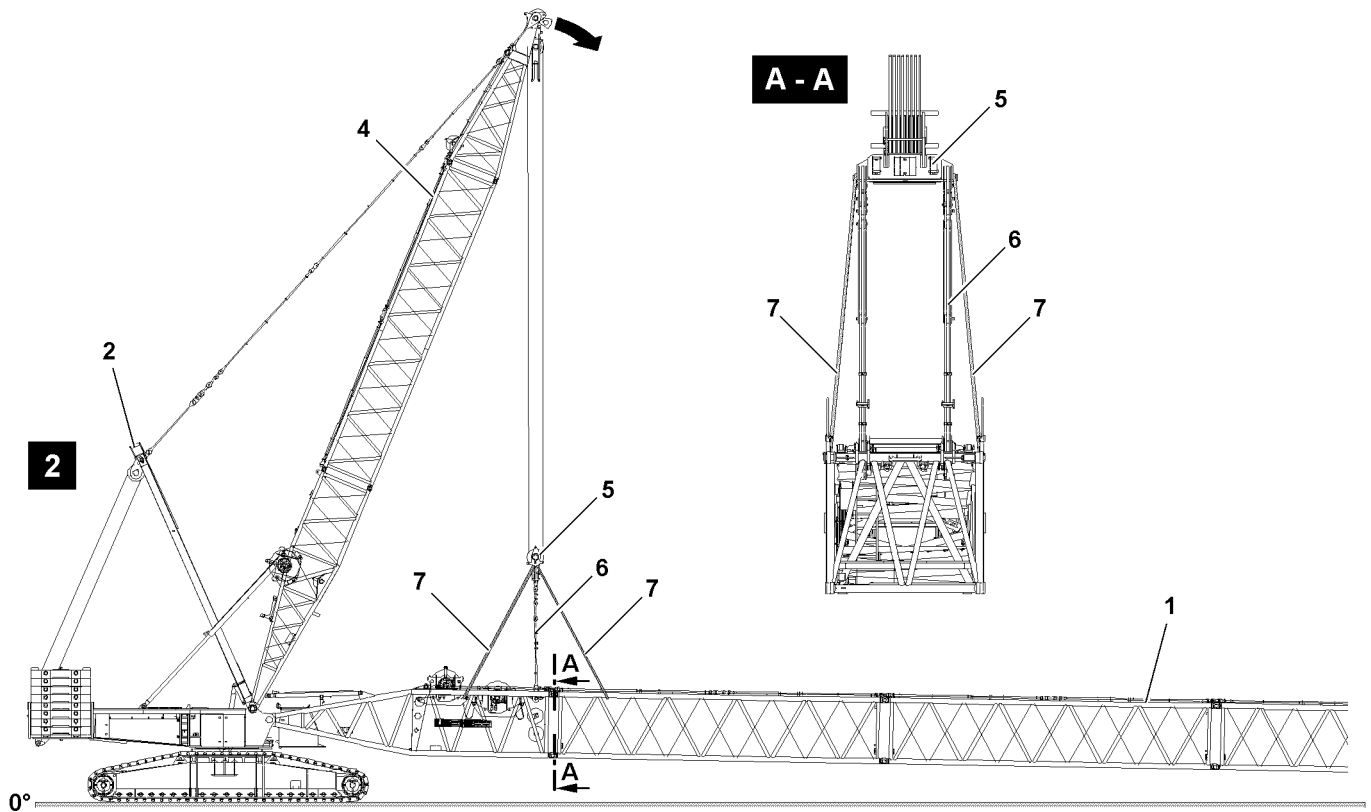


Fig.120771: Guying placed in transport receptacle and upper pulley block rigged against the boom

- ▶ Place the boom system down and - if present - release the derrick guying to the derrick ballast.
- ▶ Place the guy rods on the lattice sections 1: Luff the D-boom 4 down to the front until the main boom guying is placed completely in the transport receptacles on the lattice sections and the upper pulley block 5 is positioned over the S-pivot section, see illustration 2.
- ▶ To minimize side oscillation of the upper pulley block 5 due to wind influence: Rig the upper pulley block 5 with suitable rigging straps / ropes 7 against the boom, see illustration 2.

For lattice mast cranes with luffing lattice jib the following applies:

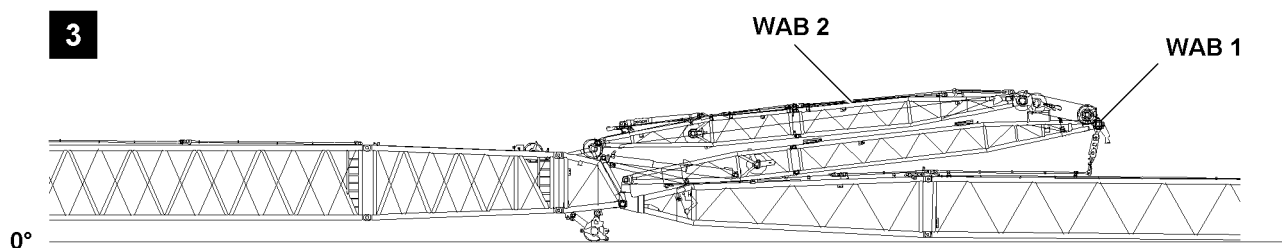


Fig.120821: Guying in transport receptacle(s) and WA-frames placed down to the front (example lattice mast crane)



WARNING

Danger of accident when removing the W-guying!

When placing down and removing the guying dangerous situations can arise.

- ▶ Make sure that the danger notes in the respective chapter of the Crane operating instructions are observed.
- ▶ Remove the guy rods on the luffing lattice jib and place them into the transport receptacles.
- ▶ Place the WA-frames (WA-frame 1 **WAB 1** and WA-frame 2 **WAB 2**) down to the front.

For telescopic cranes with luffing lattice jib the following applies:

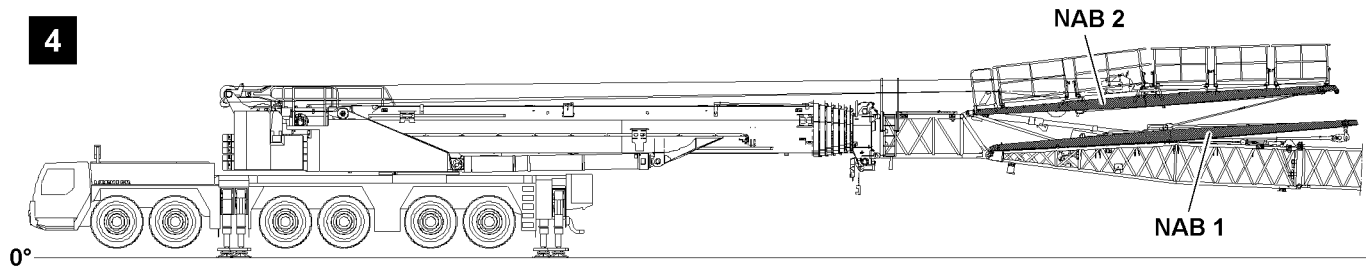


Fig. 121261: Guying in transport receptacle(s) and NA-frames placed down to the front (example telescopic crane)



WARNING

Danger of accident when placing the NA-frames down!

When placing the guy rods as well as the NA-frames down dangerous situations can arise.

- ▶ Make sure that the danger notes in the respective chapter of the Crane operating instructions are observed.
- ▶ Spool the jib control winch out and place the NA-frames down to the front so that the guy rods are relieved.

Empty page!

LWE/LR 11350-005/19004-04-02/en

Fig.195219

LWE/LR 11350-005/19004-04-02/en

1 SA-frame

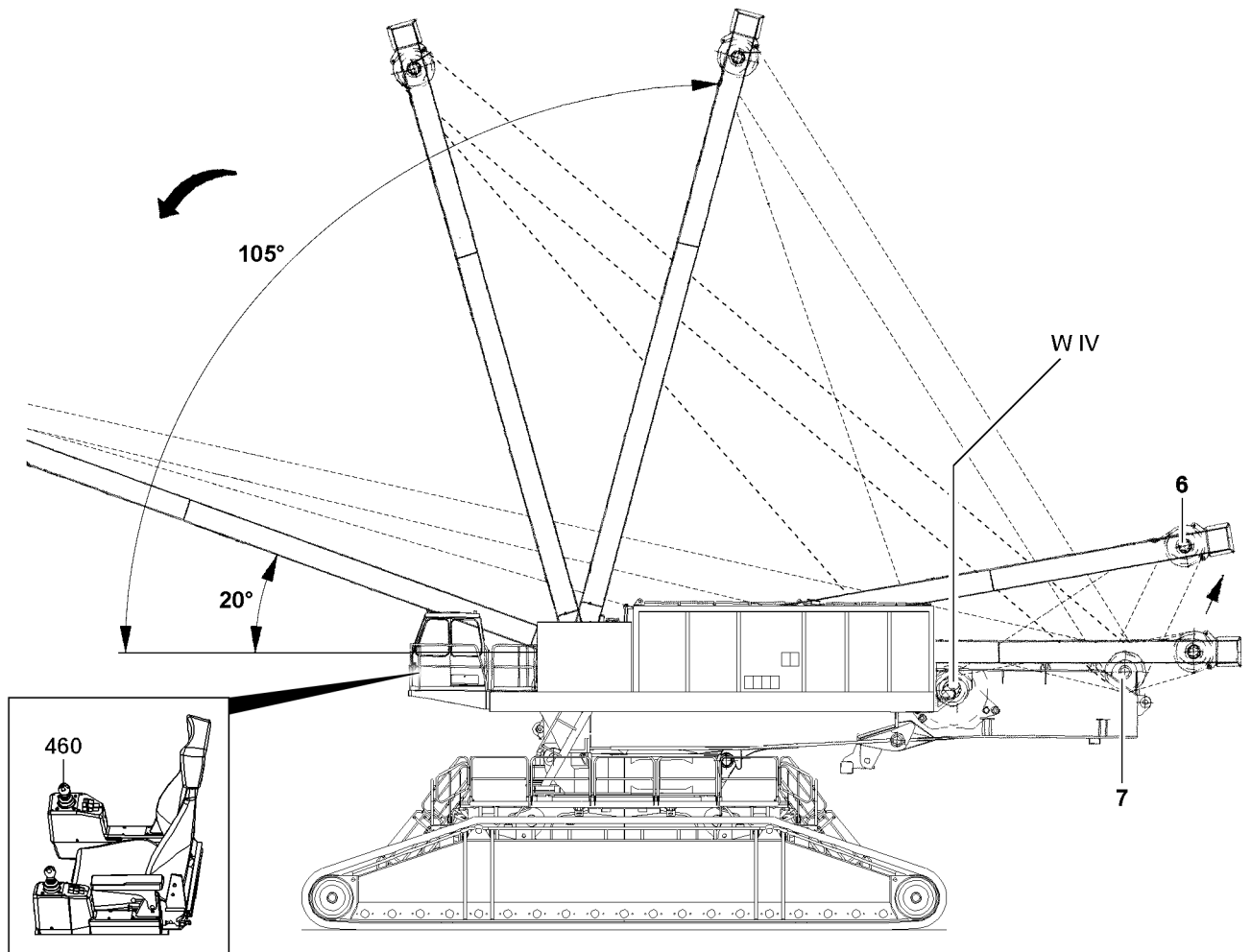


Fig.124296



Note

- ▶ The SA-frame is used in assembly operation to install the crawler travel gear, see Crane operating instructions, chapter 3.01.
- ▶ In addition, the SA-frame is used in assembly operation for closing boom systems and for guying the boom in flying assembly of lattice sections, see Crane operating instructions, chapter 5.38.

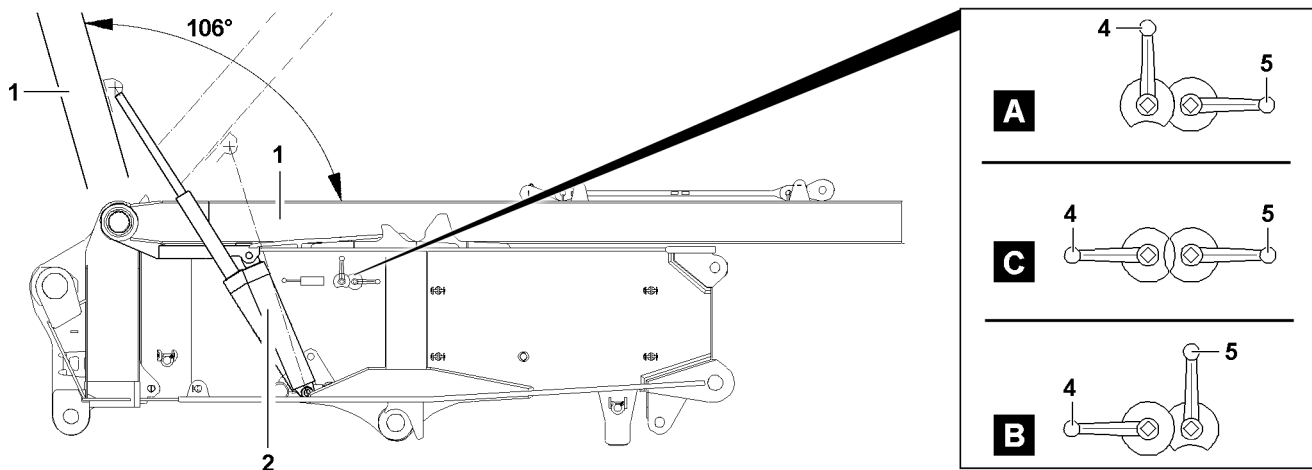


Fig.124297: Switch positions of ball valves

Switch positions of ball valves		
Switch position	Function	
A	Lower the SA-frame	Transport position
C	SA-frame stop, cylinder stop	Erection cylinders are blocked
B	Erect the SA-frame	Assembly and crane operation

1.1 Erecting the SA-frame

1.1.1 Erection procedure

Make sure that the following prerequisites are met:

- The turntable is installed.
- The SA-frame is in transport position.
- Winch 1 and winch 2 are installed in the turntable.
- There is no counterweight on the turntable.
- Winch 4 is reeved on the pulley set of the SA-frame.
- The engine is running.
- The assembly operation is engaged.
- The assembly icon on the LICCON monitor blinks.
- The SA-operating mode has been set and confirmed on the LICCON computer system.



WARNING

Danger of accident due to function „Exceedance of shut off limits of the LICCON overload protection“! If the shut off limits of the LICCON overload protection are exceeded, there is no additional protection against crane overload.

Due to erroneous operation or deliberate misuse, the crane could collapse, the boom can break off or the crane can topple over.

Death, severe bodily injuries, property damage.

- ▶ The function „Exceeding the shut off limits of the LICCON overload protection“ is only permissible in emergencies and for assembly purposes.
- ▶ The function „Exceeding the shut off limits of the LICCON overload protection“ may only be actuated by persons who know the effects of their actions regarding the function „Exceeding the shut off limits of the LICCON overload protection“.
- ▶ The function „Exceeding the shut off limits of the LICCON overload protection“ requires the presence of an authorized person and must be performed with utmost caution.
- ▶ Crane operation with activated function „Exceeding the shut off limits of the LICCON overload protection“ is prohibited.

NOTICE

Danger of slack rope formation!

If winch 4 is spooled out too quickly during the erection procedure of the SA-frame, slack rope can form.

- ▶ The intake rope of winch 4 must be tensioned during the entire erection procedure.
- ▶ The spool out speed of winch 4 must be matched to the erection speed of the erection cylinders.

**WARNING**

Independent lowering of the SA-frame!

Due to incorrect ball valve positions during the erection procedure, the SA-frame can lower backward by itself.

Death, severe bodily injuries, property damage.

It can result in slack rope formation.

- ▶ Ball valve 4 and ball valve 5 must be in position B during assembly and crane operation.
- ▶ Ball valve position A „lower“ and ball valve position C „stop“ are only permissible when lowering the SA-frame onto the turntable (transport position).

- ▶ Set the ball valve 4 and ball valve 5 in position B.

Result:

- The SA-frame is pushed upward by the erection cylinders 2 until the ropes are tensioned between the rope pulleys 6 and the rope pulleys 7.

NOTICE

Damage to ropes!

- ▶ Inspect the rope pulleys visually.
- ▶ The ropes must be laying correctly in the corresponding rope pulleys.

- ▶ Deflect the master switch MS1 460 in direction X.

Result:

- Spool out winch 4 **W IV** and SA-frame 1 is erected through the erection cylinder 2 up to 106° forward, see illustration 1.
- The „???“ turn off and the SA-operating mode is shown.

- ▶ Deflect the master switch MS1 460 in direction X.

Result:

- The SA-frame is lowered to the front and is now in the operating range of operating mode-SA (20° to 105°).

**WARNING**

Danger of accident due to function „Exceedance of shut off limits of the LICCON overload protection“! If the shut off limits of the LICCON overload protection are exceeded, there is no additional protection against crane overload.

Due to erroneous operation or deliberate misuse, the crane could collapse, the boom can break off or the crane can topple over.

Death, severe bodily injuries, property damage.

- ▶ The function „Exceeding the shut off limits of the LICCON overload protection“ is only permissible in emergencies and for assembly purposes.
- ▶ The function „Exceeding the shut off limits of the LICCON overload protection“ may only be actuated by persons who know the effects of their actions regarding the function „Exceeding the shut off limits of the LICCON overload protection“.
- ▶ The function „Exceeding the shut off limits of the LICCON overload protection“ requires the presence of an authorized person and must be performed with utmost caution.
- ▶ Crane operation with activated function „Exceeding the shut off limits of the LICCON overload protection“ is prohibited.

- ▶ Activate the LICCON overload safety device: Turn assembly operation off.

**Note**

- ▶ See Crane operating instructions, chapter 4.02.

**Note**

- ▶ Due to the own weight of the SA-frame and by spooling out winch 4 simultaneously, the SA-frame is lowered to the front.
- ▶ After reaching the SA-frame position 20°, an error message appears on the LICCON monitor and LMB - Stop is initiated.
- ▶ Spooling out winch 4 is turned off.
- ▶ Luffing down the SA-frame is blocked. Luffing the SA-frame up is only possible if the assembly operation is turned on.
- ▶ If the minimum or maximum pressure is reached in the erection cylinder, winch 4 turns off. Error is shown.

**WARNING**

Danger of accident!

Ball valve 4 and ball valve 5 must be in position B during assembly and crane operation.

Ball valve position A and ball valve position C are only permissible when lowering the SA-frame onto the turntable (transport position).

Death, severe bodily injuries, property damage.

- ▶ After assembly, secure the ball valves immediately with a lock.

- ▶ Secure the ball valves.

1.2 Placing the SA-frame onto the turntable

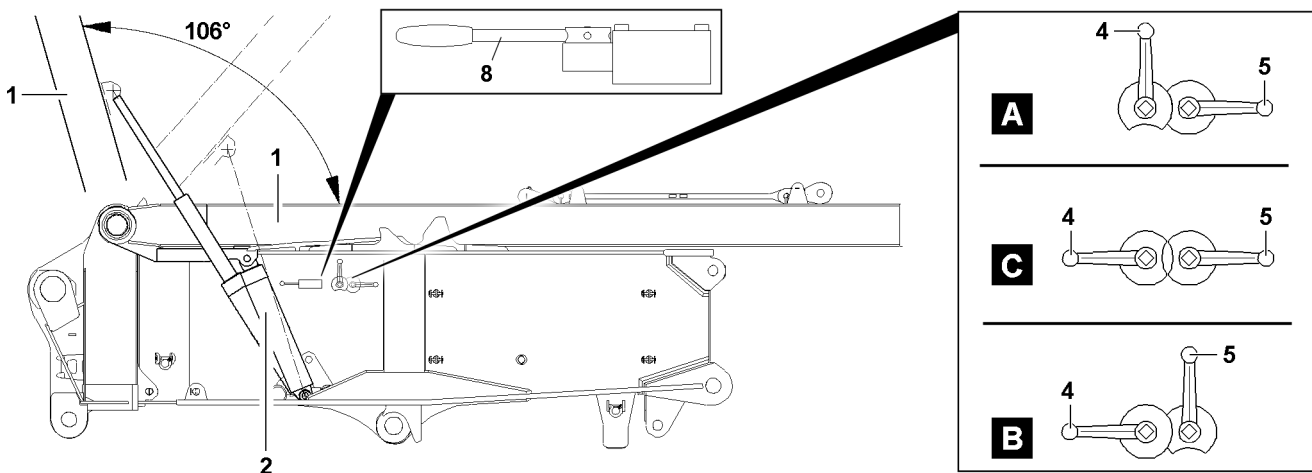


Fig.124298: Switch positions of ball valves // hand lever 8

1.2.1 Take down procedure

Make sure that the following prerequisites are met:

- The SA-operating mode has been set and confirmed on the LICCON computer system.
- Ball valve 4 and ball valve 5 are in position B.
- The SA-frame is in operating range between 20° and 105°.

- ▶ Deflect the master switch MS1 460 in direction X.

Result:

- Winch 4 spools up.
- The SA-frame is pulled back against the pressure in the erection cylinders.

**Note**

- ▶ When the SA-frame reaches the position 105° during luffing up, an **error message** and **LMB-STOP** is shown on the LICCON monitor.
- ▶ Spooling up of winch 4 is turned off.

**WARNING**

Danger of accident due to function „Exceedance of shut off limits of the LICCON overload protection“! If the shut off limits of the LICCON overload protection are exceeded, there is no additional protection against crane overload.

Due to erroneous operation or deliberate misuse, the crane could collapse, the boom can break off or the crane can topple over.

Death, severe bodily injuries, property damage.

- ▶ The function „Exceeding the shut off limits of the LICCON overload protection“ is only permissible in emergencies and for assembly purposes.
- ▶ The function „Exceeding the shut off limits of the LICCON overload protection“ may only be actuated by persons who know the effects of their actions regarding the function „Exceeding the shut off limits of the LICCON overload protection“.
- ▶ The function „Exceeding the shut off limits of the LICCON overload protection“ requires the presence of an authorized person and must be performed with utmost caution.
- ▶ Crane operation with activated function „Exceeding the shut off limits of the LICCON overload protection“ is prohibited.

- ▶ Exceeding the shut off limits of the LICCON overload protection: Engage assembly operation.

Result:

- The shut off limits of the LICCON overload protection are exceeded.
- The assembly icon appears on the LICCON monitor.

**Note**

- ▶ See Crane operating instructions, chapter 4.02.

**WARNING**

Danger of fatal injury due to SA-frame!

Death, severe bodily injuries, property damage.

- ▶ The crane operator must make sure that no persons or objects are within the danger zone.

**WARNING**

Independent lowering of the SA-frame!

Due to an incorrect ball valve position, the SA-frame can lower backward by itself.

Death, severe bodily injuries, property damage.

It can result in slack rope formation and to destruction of crane components.

- ▶ Ball valve **4** and ball valve **5** must be in position **B** during assembly and crane operation.
- ▶ The ball valve position **A** and ball valve position **C** are only permissible when lowering the SA-frame onto the turntable (transport position).

When the LICCON overload protection is exceeded:

- ▶ Deflect the master switch MS1 **460** in direction X.

Result:

- Due to the own weight of the SA-frame **1** and by spooling up winch 4 simultaneously, the SA-frame is lowered to the rear against the pressure in the erection cylinders.

NOTICE

Damage to crane!

The ball valve position **C** and the ball valve position **A** are only permissible when lowering the SA-frame from 10° onto the turntable (transport position).

- ▶ If this is not observed, parts of the crane will be destroyed.

If the SA-frame is on approx. 10°:

- ▶ Do not actuate winch 4 any longer.
- ▶ Turn assembly operation off.
- ▶ Lower the SA-frame **1** onto the turntable: Actuate the hand lever **8**.

Result:

- The erection cylinders move in.
- The SA-frame **1** lowers.

When the SA-frame **1** is lowered completely on the turntable:

- ▶ Set the ball valves into position (C) and secure.

Empty page!

LWE/LR 11350-005/19004-04-02/en

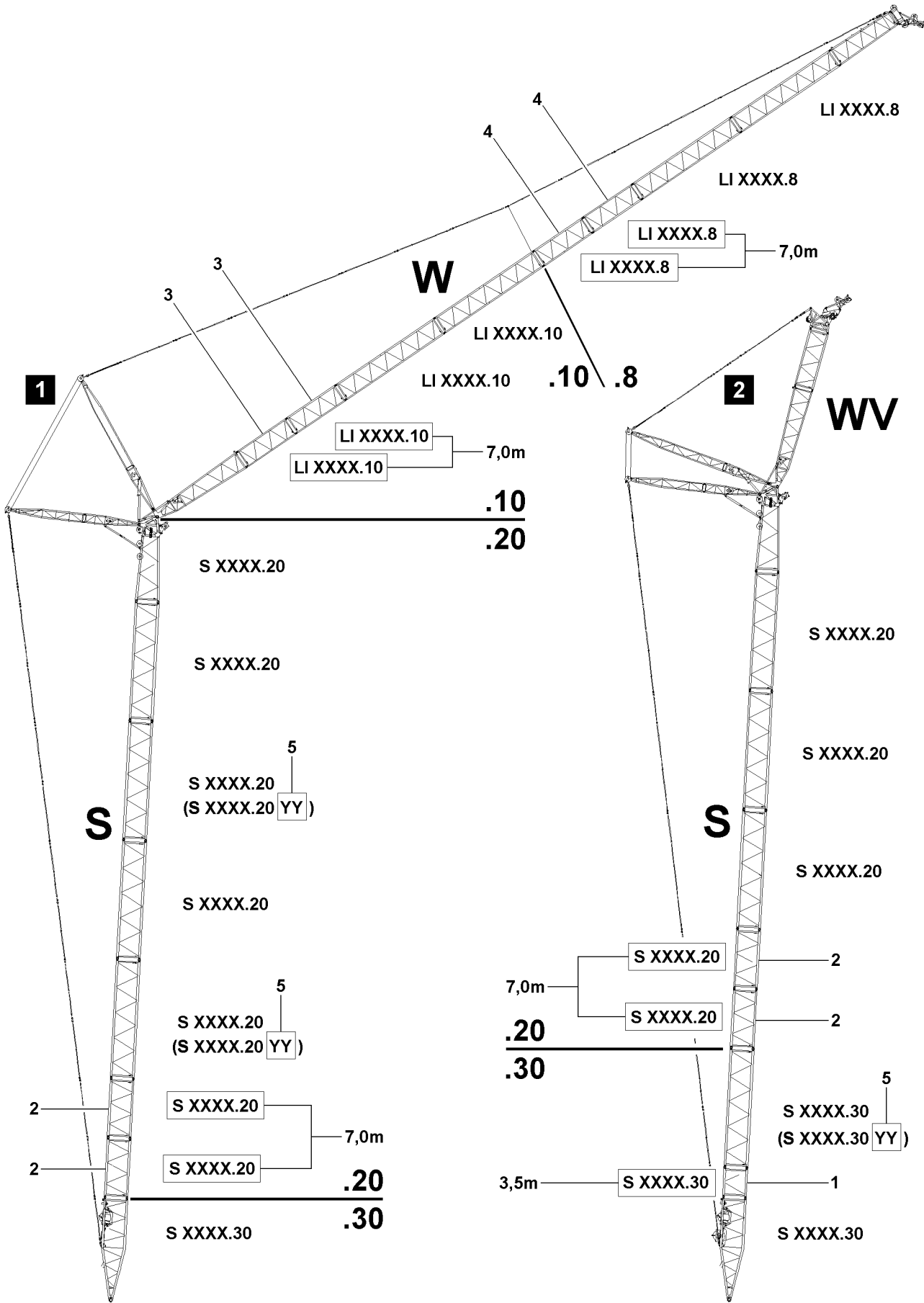


Fig.116151

1 Boom components



Note

- ▶ For boom components including associated system dimensions, lengths and component weights refer to the Crane operating instructions, chapter 1.03!

2 Arrangement of intermediate sections on the boom



Note

- ▶ The following description is an example and may not exactly match to your crane!
- ▶ Lengths, weights and system dimensions of the intermediate sections are examples and may differ from the data on your crane!
- ▶ For exact crane data refer to the respective rod plan!
- ▶ For dimensions and weights of crane components, see Crane operating instructions, chapter 1.03!



WARNING

Boom can break off!

The arrangement of the intermediate sections on booms or boom systems are based on extensive static calculations! If the arrangement of the intermediate sections according to the rod plan is not observed, the crane can collapse, the boom can break off or the crane can topple over!

Personnel can be severely injured or killed!

- ▶ Always carry out the arrangement of the intermediate sections according to the rod plan!
- ▶ If an auxiliary guying is required for a certain boom length, then it must always be installed according to the rod plan on the position defined in the rod plan!

General specifications for the configuration of booms or boom systems:

- With the same system dimension, two short intermediate sections with a length of 3.5 m are heavier than one single intermediate section with a length of 7.0 m !
- With the same system dimension, two short intermediate sections with a length of 7.0 m are heavier than one single intermediate section with a length of 14.0 m !
- With the same system dimension, two short intermediate sections with a length of 3.5 m can be replaced by one single intermediate section with a length of 7.0 m !
- With the same system dimension, two short intermediate sections with a length of 7.0 m can be replaced by one single intermediate section with a length of 14.0 m !
- For intermediate sections with the same system dimension but different lengths, always install the short intermediate sections on the bottom in the boom, due to their weight, in direction of the slewing ring, see also illustration 1 and illustration 2!
- The heavier one intermediate section is, the higher is the value of the last two digits on the system dimension plate!
- Pay attention to the last two letters following the letter combinations (YY) 5 on the last two letters on the system dimension plate and observe them!

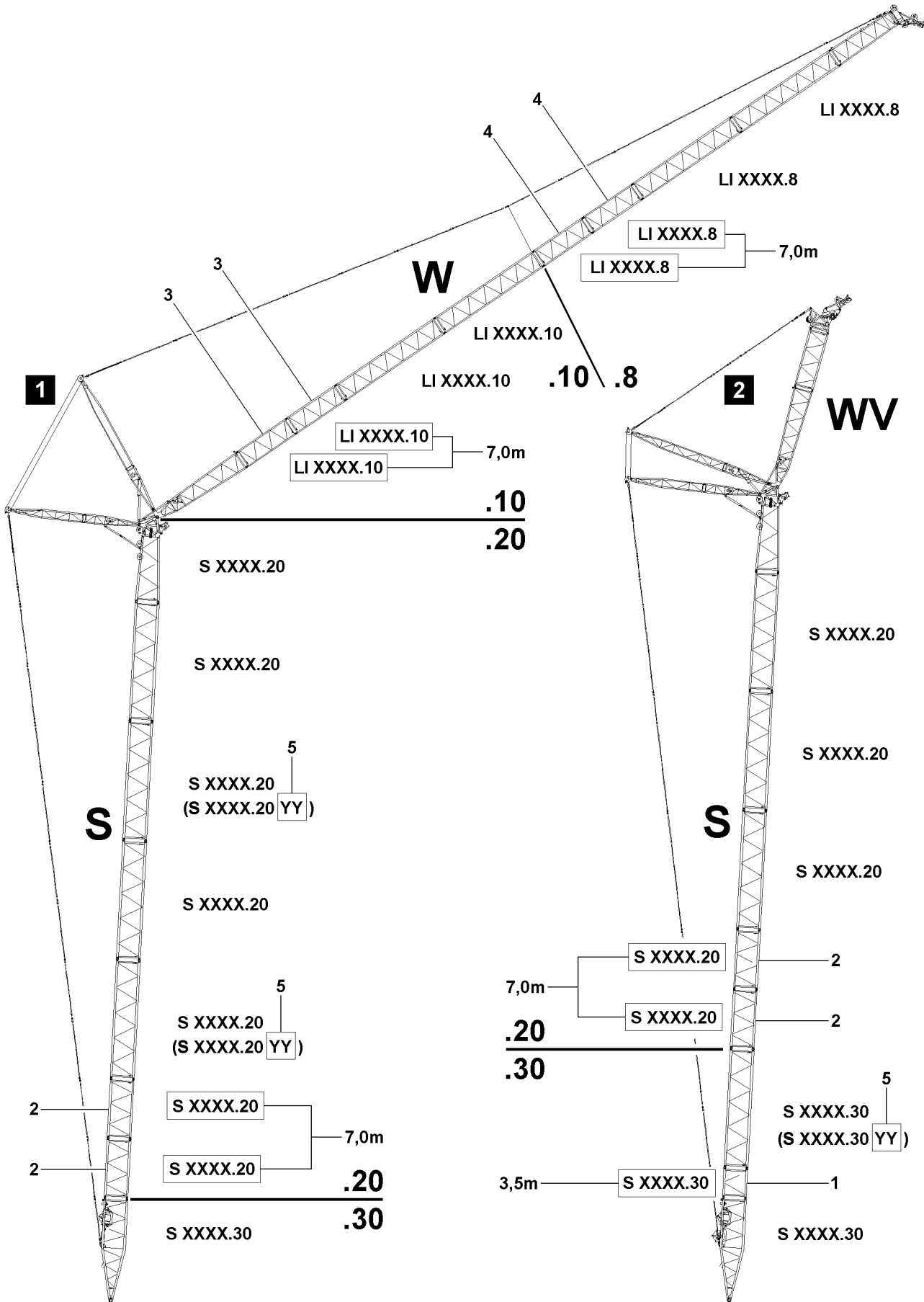


Fig.116151

System dimensions and assignment			
Position	System		
		Heavy	Light
1	S XXXX .30	X	
2	S XXXX .20		X
3	LI XXXX .10	X	
4	LI XXXX .8		X
5	S XXXX .40 YY	X	

2.1 Arrangement of intermediate sections



WARNING

Danger of accidents due to incorrectly assembled intermediate sections!

- ▶ Any other arrangement of the intermediate sections and guy rods than specified in the operating instructions or the rod plans is prohibited!
- ▶ There is the danger that intermediate sections are mixed up, they are differently sized and do not differ externally!
- ▶ The intermediate sections differ externally only by the welded on plates (.8, .10, .12, .16, .20, .25, .30, .40 YY)!
- ▶ When assembling the boom, it must be ensured that the intermediate sections are arranged and installed according to their description as stated on the rod plan!
- ▶ Observe and adhere to the additional letter combinations (YY) **5** on the system dimension plate of the intermediate sections at assembly of the intermediate sections!



WARNING

Arrangement of intermediate sections!

If the arrangement of the intermediate sections is not carried out according to the rod plan, then the boom can be overloaded, bend down and break off!

Personnel can be severely injured or killed!

This could result in high property damage!

- ▶ For intermediate sections with the same system dimension but different length, always install the shorter intermediate sections on the bottom in the boom, in direction of the slewing ring!

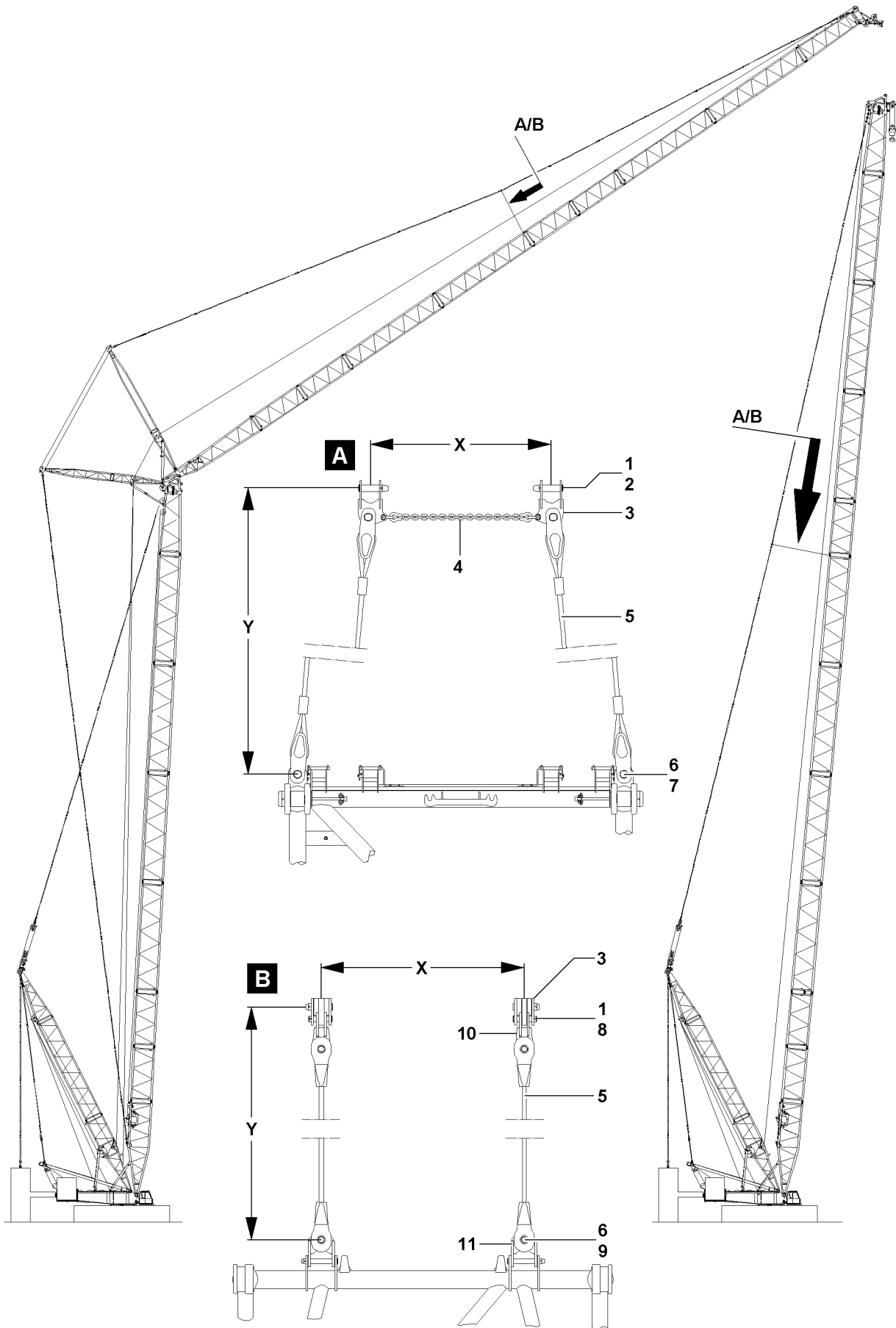


Fig.112270

LWE/LR 11350-005/19004-04-02/en

3 Auxiliary guying



Note

- ▶ The following description is an example and may not exactly match to your crane!
- ▶ For exact crane data refer to the respective rod plan!

3.1 Installing the auxiliary guying

The auxiliary guying, in regards to safe crane operation - especially for long boom systems - is of vital importance.

The auxiliary guying is a deciding factor in relieving the boom, or the boom system during erection and take down as well as during crane operation.



WARNING

The crane can topple over!

If the auxiliary guying is not installed or not installed on the position specified in the rod plan, then the crane can collapse, the boom can break off or the crane can topple over!

- ▶ If an auxiliary guying is specified in the rod plan for the required boom length, then it must be installed on the respective position!
- ▶ Make sure that the auxiliary guying is always completely installed and that all pins are properly pinned and secured!



Note

- ▶ The boom lengths, for which an auxiliary guying is required, can be seen in the rod plan!
- ▶ Depending on the crane type: To install the auxiliary guying, remove the standard lugs and install the „Lugs for the auxiliary guying“!

Components of auxiliary guying, illustration A	
Position	Description
1	Pin
2	Spring retainer
3	Bracket
4	Chain
5	Rope
6	Pin
7	Spring retainer

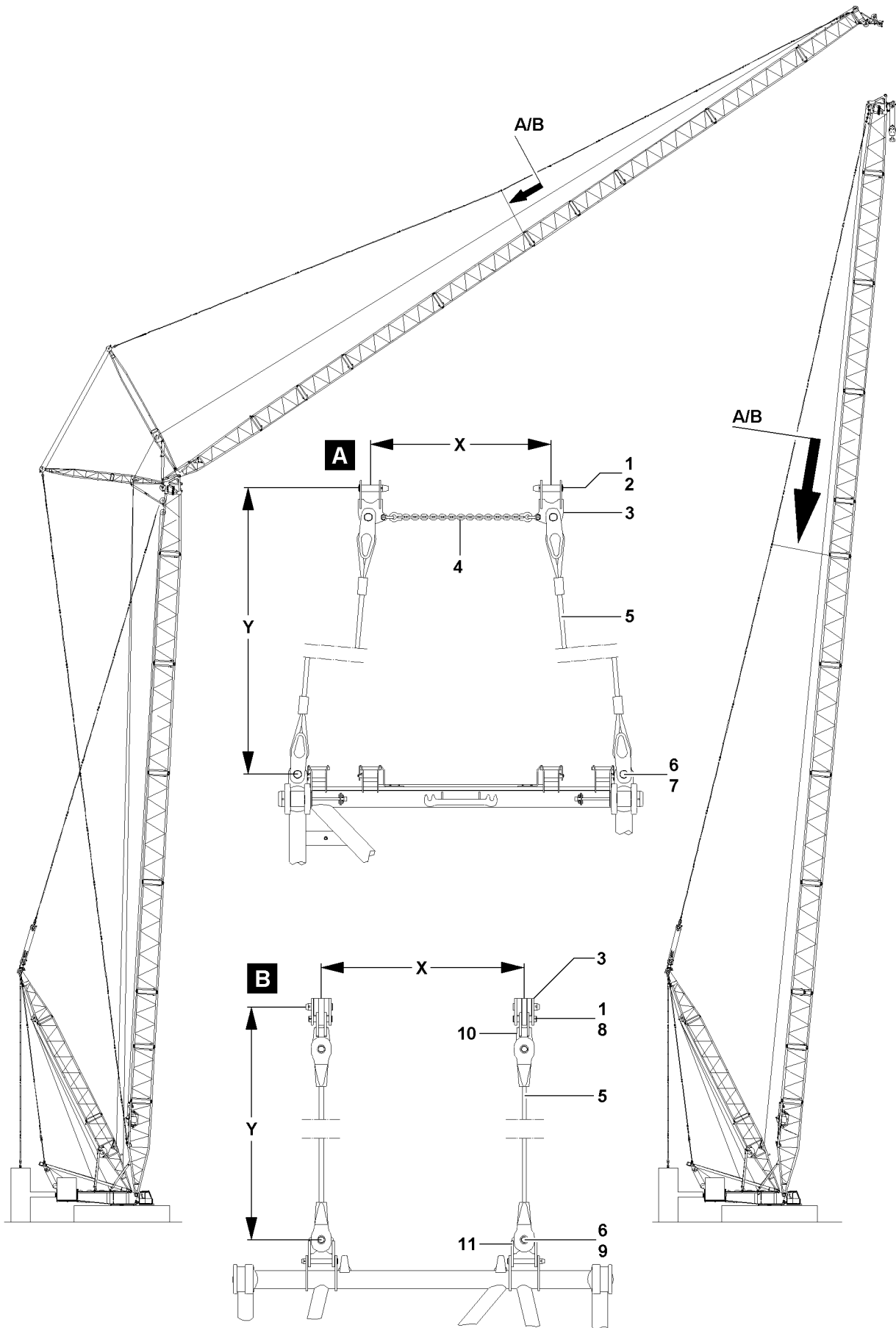


Fig.112270

LWE/LR 11350-005/19004-04-02/en

Components of auxiliary guying, illustration B	
Position	Description
1	Pin
3	Bracket
5	Rope
6	Pin
8	Linch pin
9	Linch pin
10	Cross-shaped lug
11	Cross-shaped lug

The lugs **3** must be installed in the guying instead of the standard lugs. The auxiliary guying is installed on the lugs **3**.

The guy ropes **5** are pinned on top on the lugs **3** of the guying or on the cross-shaped lugs **10**. The guy ropes **5** are pinned on the bottom on the lugs / connector points on the boom, see illustration **A** or on the cross-shaped lugs **11**, see illustration **B**.

- ▶ Install the guy ropes: Pin the guy ropes on top on the guying with pin **1** and secure with spring retainer **2**, see illustration **A**.
- or**
- Install the guy ropes: Pin the guy ropes on top on the guying with pin **1** and secure with linch pin **8**, see illustration **B**.

When the guy ropes **5** are pinned and secured on the lugs **3** of the guying or on the cross-shaped lugs **10**:

- ▶ Pin the guy ropes **5** on the lugs / connection points on the boom, see illustration **A** with pin **6** and secure with locking spring **7**.
- or**
- Pin the guy ropes **5** on the cross-shaped lugs **11** on the boom, see illustration **B** with pin **6** and secure with linch pin **9**.



WARNING

The crane can topple over!

If the chain **4** is not installed in connection with the auxiliary guying, then the guying can be damaged, the boom can break off and the crane can topple over!

Personnel can be severely injured or killed!

- ▶ The auxiliary guying must be installed according to the rod plans!
 - ▶ If a chain **4** is specified in the rod plan, then it must always be installed in connection with the auxiliary guying, otherwise the guy rods will be pulled apart!
-
- ▶ Recheck the proper and complete assembly of the auxiliary guying before erecting the boom / boom system.

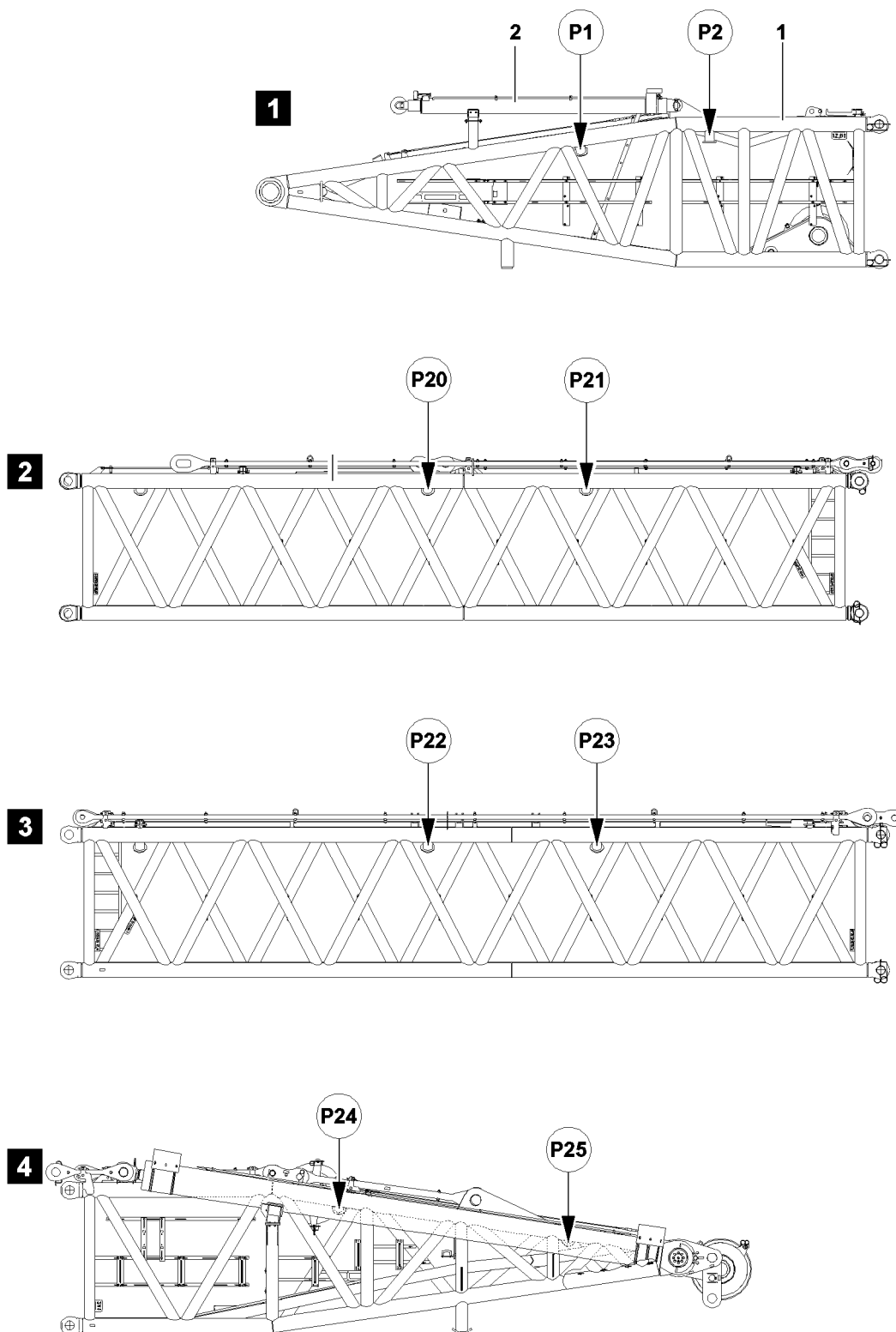


Fig.112580

LWE/LR 11350-005/19004-04-02/en

1 Components and fastening points

1.1 Component overview on D-pivot section

Position	Component	Weight ¹⁾
1	D-pivot section without winch 3	12.80 t
2	D-relapse cylinder	1.75 t

1) The stated weights are approximate.

1.2 Fastening points on the D-lattice sections

1.2.1 Fastening points on D-pivot section

Fastening points	
P1 and P2	for D-pivot section without winch 3

1.2.2 Fastening points on D-intermediate section

Fastening points	
P20 and P21	for D-intermediate section

1.2.3 Fastening points on D-reducer section

Fastening points	
P22 and P23	for D-reducer section

1.2.4 Fastening points on D-end section

Fastening points	
P24 and P25	for D-end section

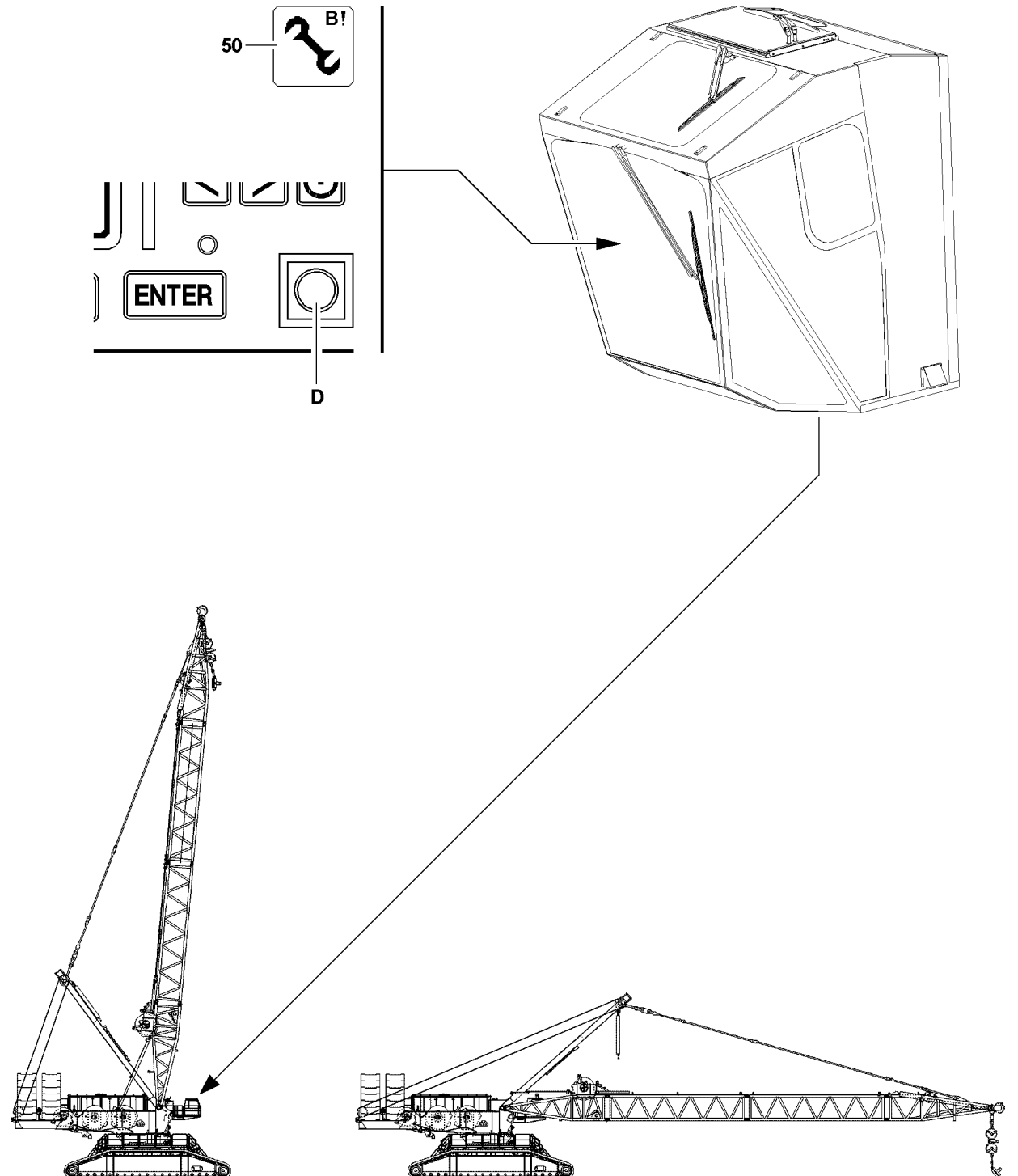


Fig.112570

2 Assembly



WARNING

Risk of falling!

During assembly and disassembly, personnel must be secured with appropriate aids to prevent them from falling. If this is not observed, assembly personnel can fall and suffer life-threatening or fatal injuries!

- ▶ Any work, where there is a danger of falling must be carried out with suitable aids (for example: lifting platforms, scaffoldings, ladders, auxiliary crane)!
- ▶ If the work cannot be carried out with such aids nor from the ground, then the assembly personnel must secure themselves with approved fall arrest systems to avoid falling, see Crane operating instructions chapter 2.04!
- ▶ If railings are present on the components, then they must be brought into the corresponding position and secured for assembly / disassembly work!
- ▶ Step on aids and fall protection equipment only with clean shoes!
- ▶ Keep aids and fall protection equipment clean and free from snow and ice!
- ▶ During all assembly and disassembly work, maintenance work and inspections, travel or crane operation is prohibited!



WARNING

Falling components!

If unsecured or non-supported components are installed or removed, they can fall down! Personnel can be severely injured or killed!

- ▶ During pinning and unpinning of the lattice sections, it is prohibited for anyone to remain **under** or **on** the components as well as within the entire danger zone!
- ▶ Support the boom and components before pinning / unpinning!
- ▶ Pin or unpin both pins laying in a horizontal, i.e. **left** and **right**!
- ▶ Secure the pins in the bearing points and in the receptacles!
- ▶ Do not disengage the auxiliary crane until each component is pinned and secured!
- ▶ It is prohibited to lean a ladder against the component being disassembled!



WARNING

Danger of impact / crushing!

When installing / removing crane components with the auxiliary crane, crane components can start to swing back and forth!

When lifting / lowering and positioning crane components, there is an increased danger of impacts / crushing!

Personnel can be severely injured or killed!

- ▶ Make sure that personnel cannot be caught by components!
- ▶ Make sure that the crane is aligned in horizontal position to avoid the support beams from swinging by themselves!
- ▶ When working in danger zones: Use aids to protect limbs!
- ▶ Guide components with suitable aids to minimize oscillation!

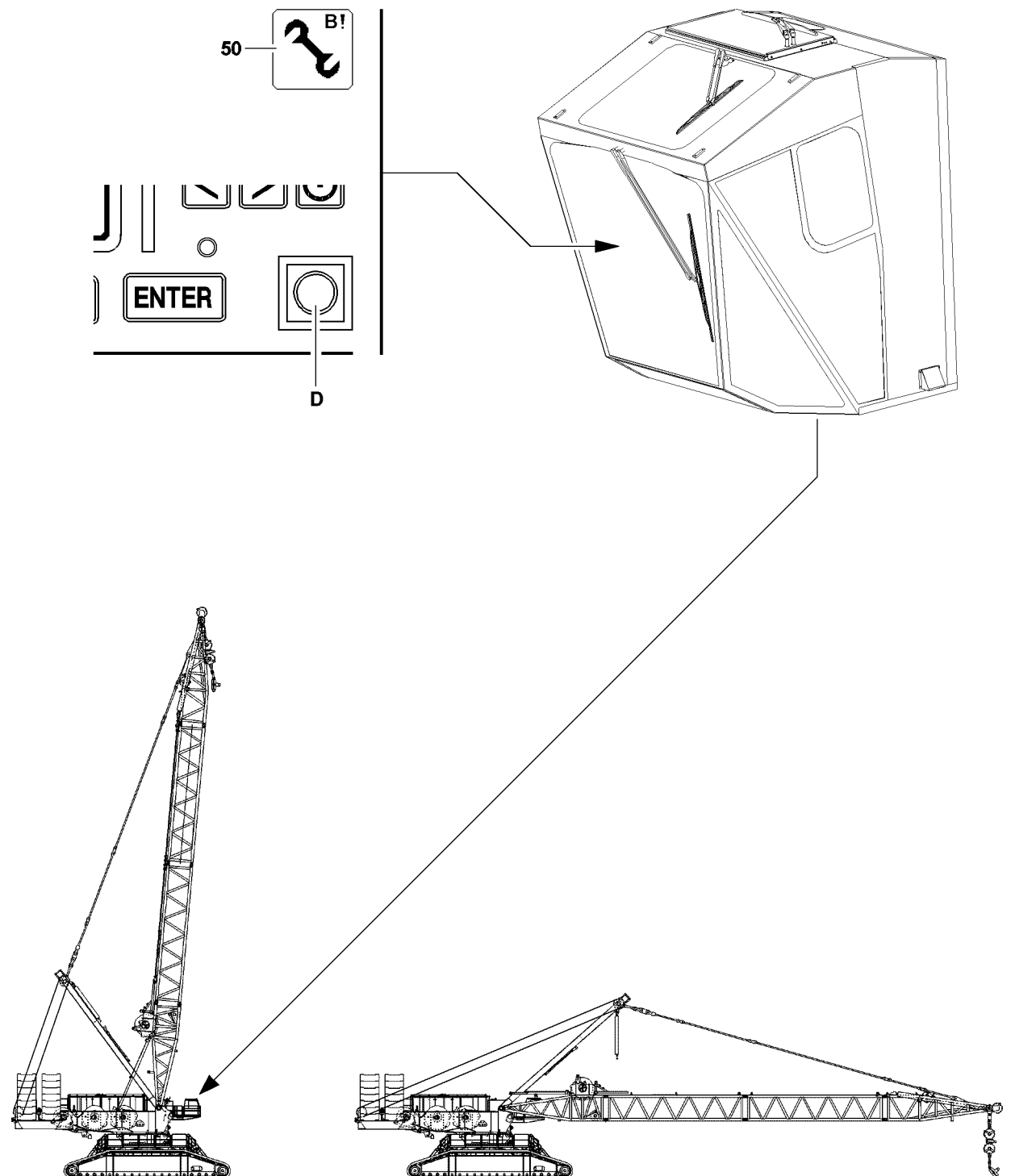


Fig.112570

NOTICE

Damage of derrick boom and SA-frame!

If the SA-frame is pulled by winch 4 (intake gear) to the rear in direction of the turntable, then the derrick boom and the SA-frame can be severely damaged!

Expensive and extensive repairs can result!

- ▶ As long as the guying between the SA-frame and the assembled D-pivot section or between the SA-frame and the assembled D-boom is **not** assembled and guyed, do not pull the SA-frame to the rear in direction of the turntable!

Make sure that the following prerequisites are met:

- The crane is aligned in horizontal direction.
- The counterweight has been installed on the turntable according to the load chart.
- The LICCON overload protection has been set according to the data in the load chart.
- An auxiliary crane is available.

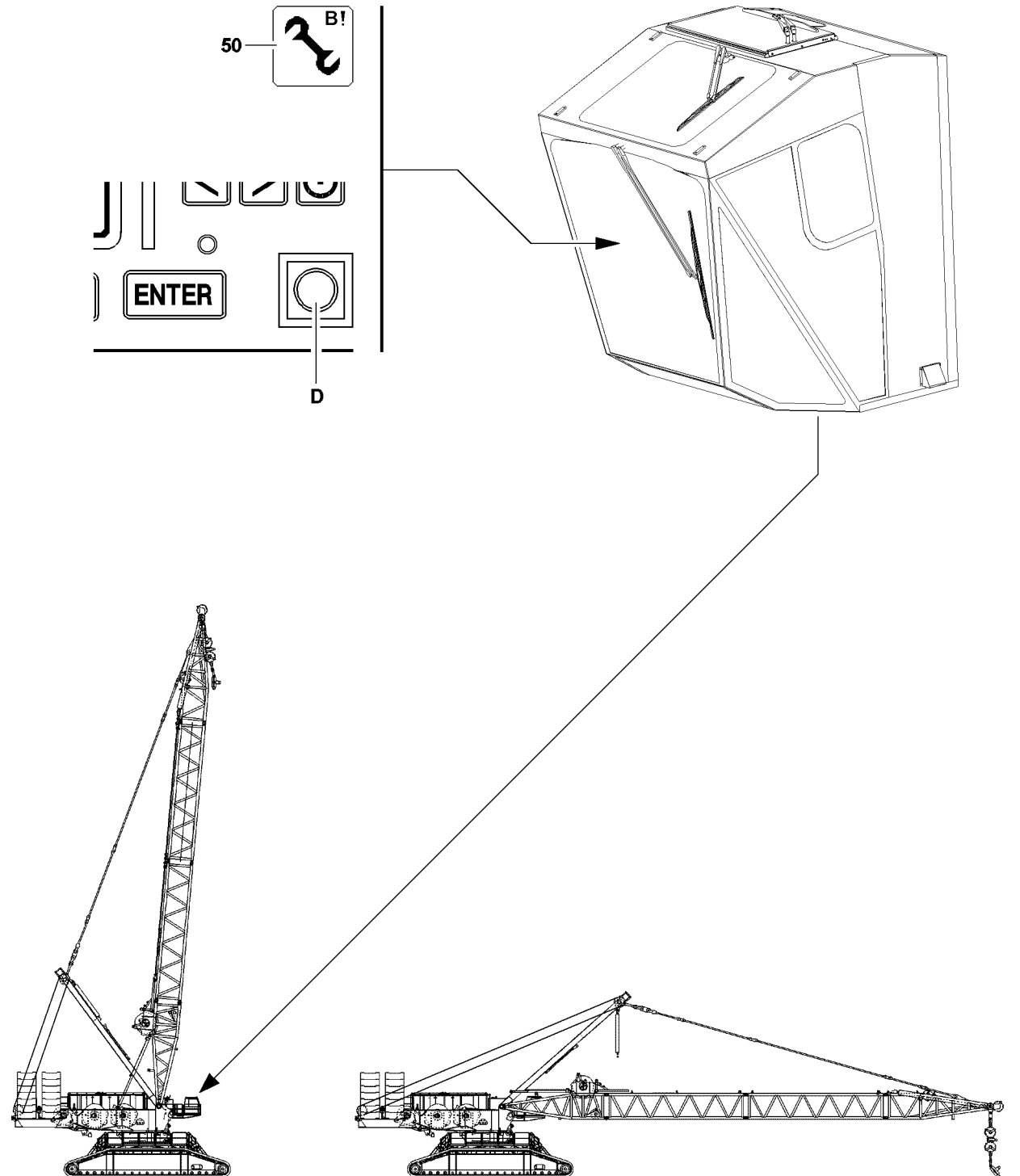


Fig.112570

2.1 Assembling the D-boom

2.1.1 Turning the turntable into assembly position



DANGER

The crane can topple over!

If the following conditions are not met before turning the turntable - **without** installed D-boom, the crane can topple over!

Personnel can be severely injured or killed!

▶ Observe the data in the erection and take down charts!

▶ Turn the turntable in longitudinal direction of the travel gear or to the side.

2.1.2 Exceeding the LICCON overload protection for assembly



WARNING

Assembly with turned on set up key!

When the set up key is engaged, the LICCON overload protection is exceeded!

In the event of deliberate improper use, the crane could collapse, the boom can break off or the crane can topple over!

Personnel can be severely injured or killed!

This could result in high property damage!

▶ The set up key **D** may only be actuated by persons who know the effects of a bypass!

▶ Press the set up key **D** only when the set up status was correctly entered into the LICCON computer system!

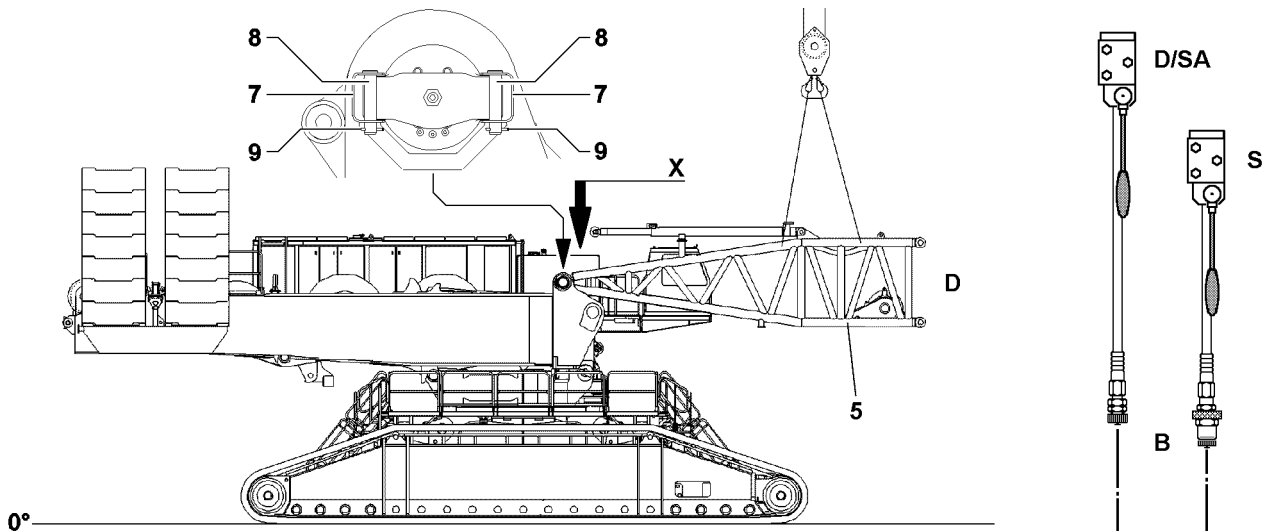
▶ Observe the erection / take down charts!

▶ Crane operation with the set up key **D** turned on is strictly prohibited!

▶ Turn the set up key **D** to the right.

Result:

- The LICCON overload protection is exceeded.
- The assembly icon **11** appears on the LICCON monitor.



0°

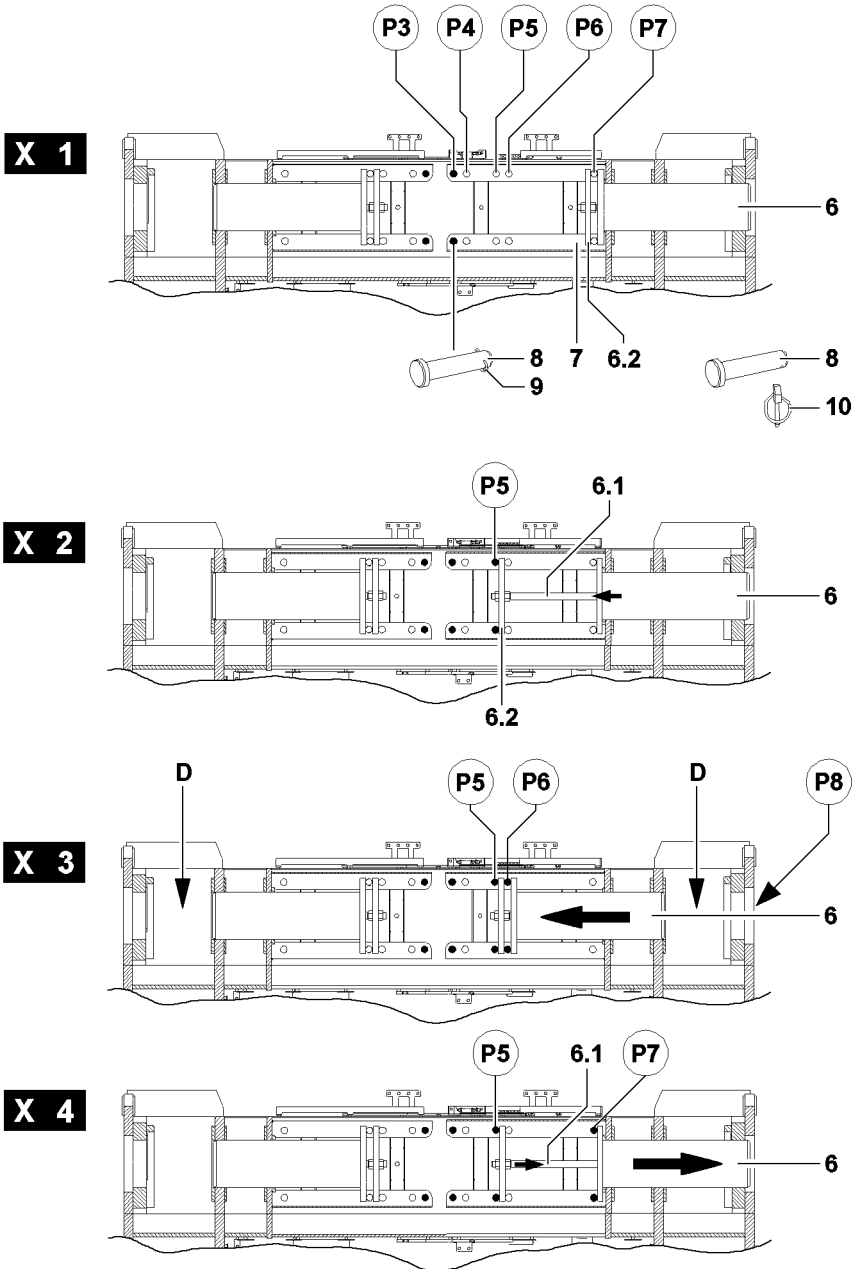


Fig.112574

LWE/LR 11350-005/19004-04-02/en

2.1.3 Pinning the D-pivot section on the turntable



DANGER

Danger of fatal accidents due falling components!

If the components are not properly pinned and secured, pins can loosen up by themselves and cause components to fall off!

Personnel can be severely injured or killed!

- ▶ All pins must be secured after assembly with the intended safety elements! Check visually!
- ▶ The guy rods must be inspected regularly, see Crane operating instructions, chapter 8.15!

NOTICE

Damage to the D-pivot section!

If the D-pivot section with installed winch 3 is installed on the turntable, then the D-pivot section can be overloaded and damaged.

- ▶ At assembly of the D-pivot section, winch 3 may be installed on the turntable, not on the D-pivot section.

Make sure that the following prerequisites are met:

- The SA-frame is erected to approx. 85°.
- The pins **6** are completely pinned on both sides on the turntable, see illustration / view **X1**.
- The pins **8** are pinned on both sides on the guide **7** at point **P3** and are secured with cotter pins **9**.



Note

- ▶ Select the fastening points on the D-pivot section in such a way that the D-pivot section hangs horizontally on the auxiliary crane at assembly, see section „Fastening points“!



WARNING

Falling SA-frame!

For the assembly of the D-pivot section, the pins **6** may not be unpinned too far, otherwise the SA-frame can fall down!

- ▶ Make sure that the pins **8** are pinned on both sides at point **P5** as stop pins before assembly of the D-pivot section **5** on the turntable.



Note

- ▶ The hand levers **S**, **D/SA** and the hydraulic connections **B** for the pin pulling device integrated in the pin **6** are on the left side of the turntable.

- ▶ Establish the hydraulic connections from the pins **6** to the turntable, see Hydraulic diagram.
- ▶ Unpin the pin **6** for derrick assembly: Insert the pin **8** on both sides as stop pin at point **P5** and secure with linch pin **10**, see illustration / view **X2**.
- ▶ Move the hand lever **D/SA** and extend the piston rod **6.1** until the plate **6.2** touches on the stop pins **8** at point **P5**, illustration / view **X2**.

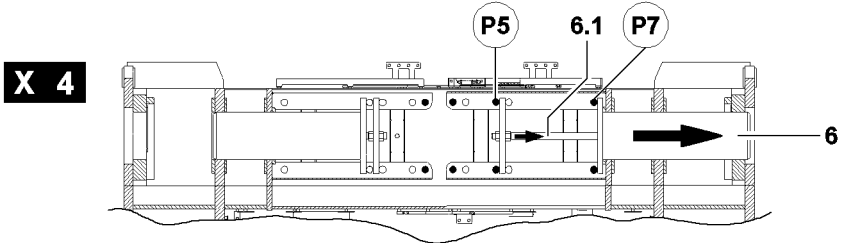
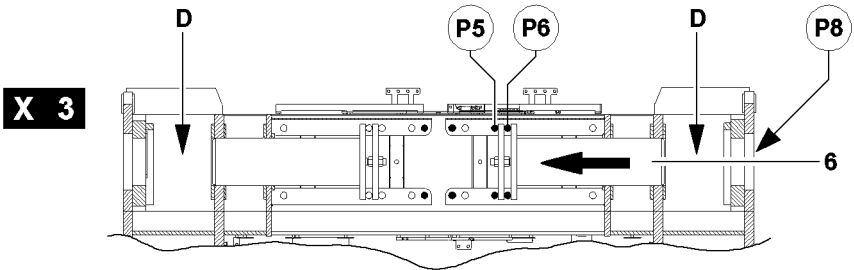
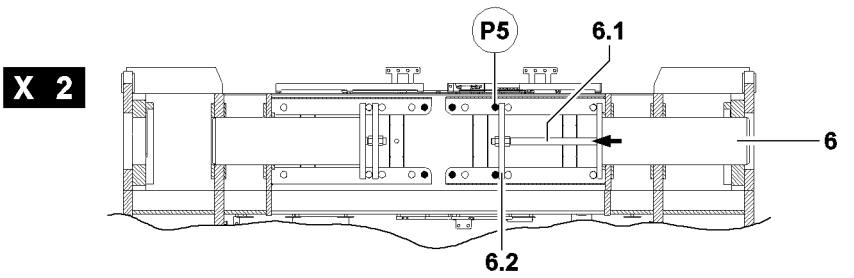
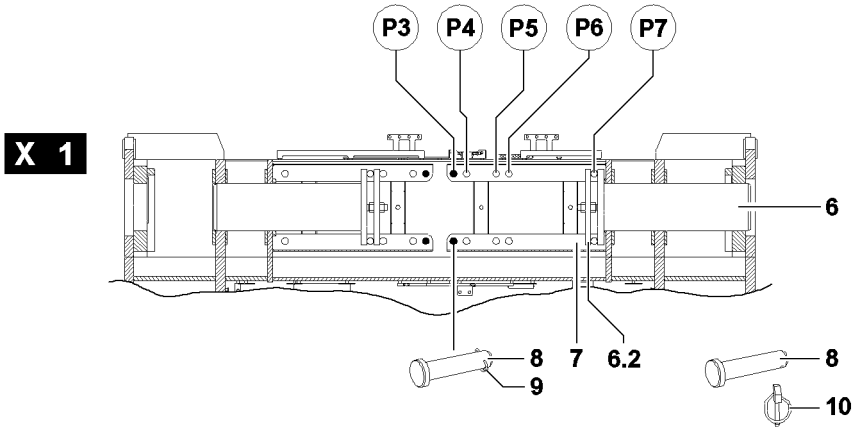
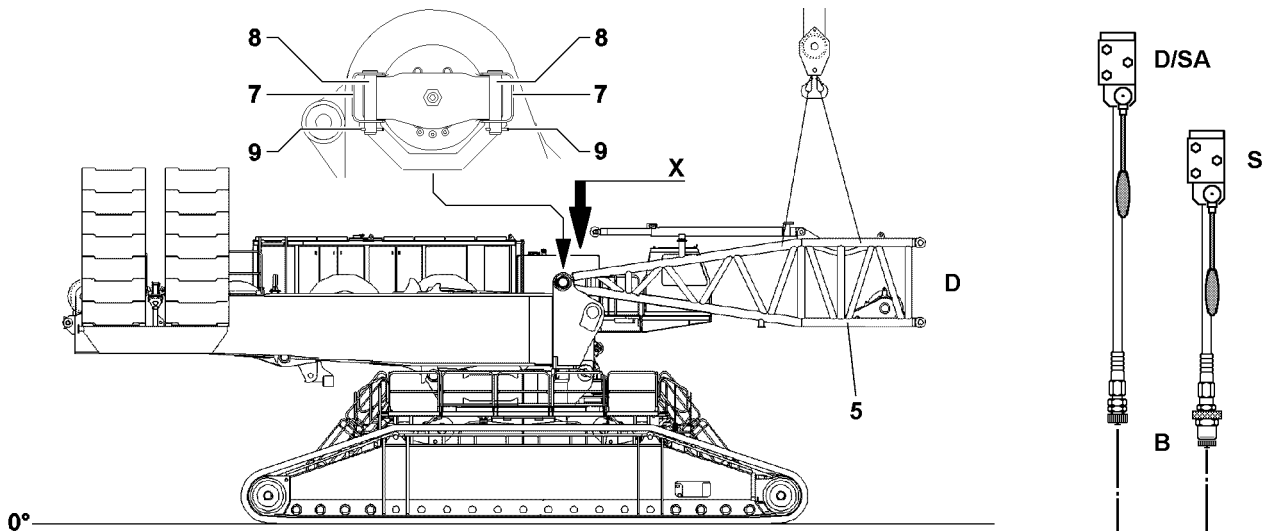


Fig.112574

LWE/LR 11350-005/19004-04-02/en

- ▶ Insert the additional pins **8** on both sides on points **P6** and secure with lynch pins **10**, see illustration / view **X2**.

Result:

- The plate **6.2** is „tensioned“ between the pins **8** at point **5** and point **P6**.
- ▶ Move the hand lever **D/SA** and unpin the pin **6** until the pin **6** touches on the pins **8** at point **P6**, illustration / view **X3**.

Result:

- The D-pivot section can be swung in to the pin bores on the turntable.
- ▶ Hang the D-pivot section **5** onto the auxiliary crane and swing in to the pin points on the turntable.

When the pin points of the D-pivot section **5** align with the pin points of the turntable:

- ▶ Pin the D-pivot section **5** on both sides with the pin pulling device: Move the hand lever **D** and insert the pins **6** completely on both sides.
- ▶ Secure the pins **6**: Release the pins **8** on both sides at point **P6** and unpin, then pin on both sides at point **P7** and secure with lynch pin **10**, illustration / view **X4**.
- ▶ Move the hand lever **D** and move the piston rod **6.1** of pin **6** all the way in.

Result:

- The pins **6** are completely pinned.

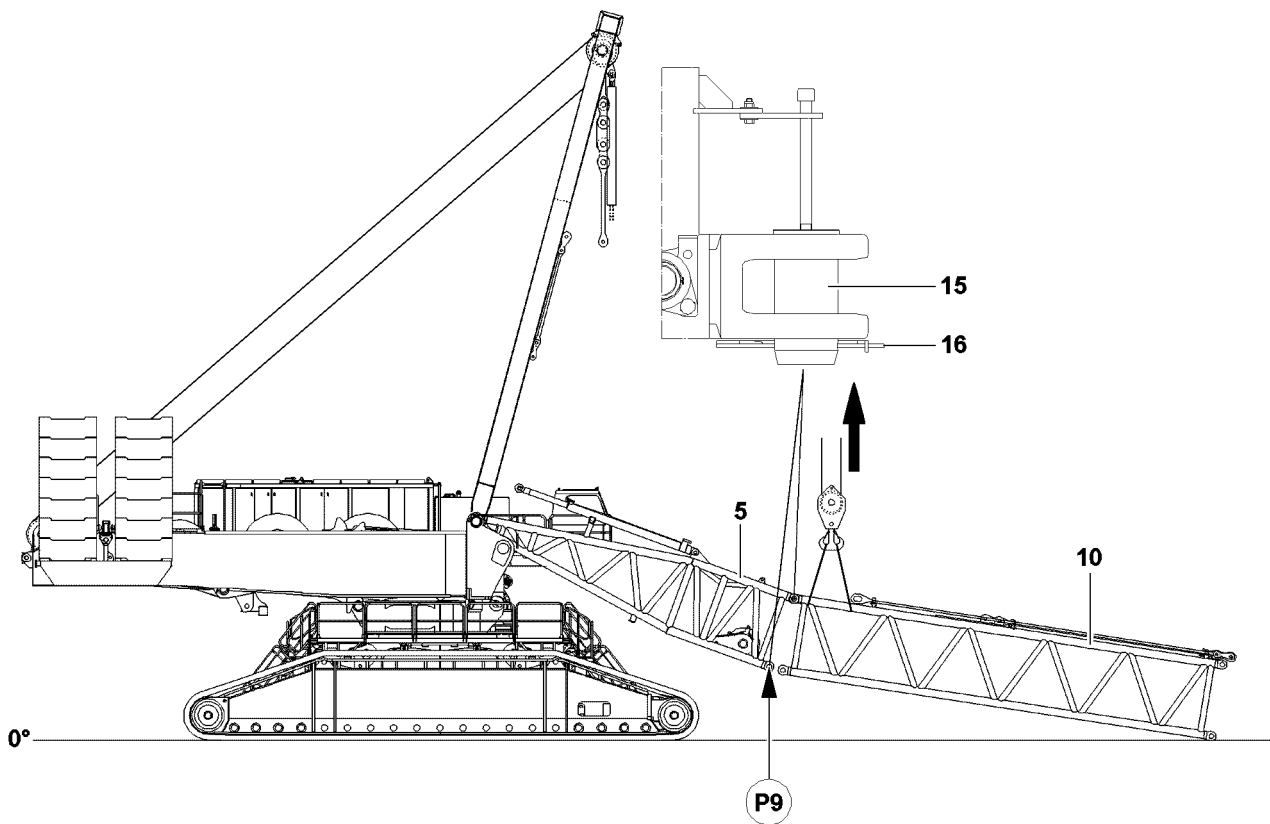
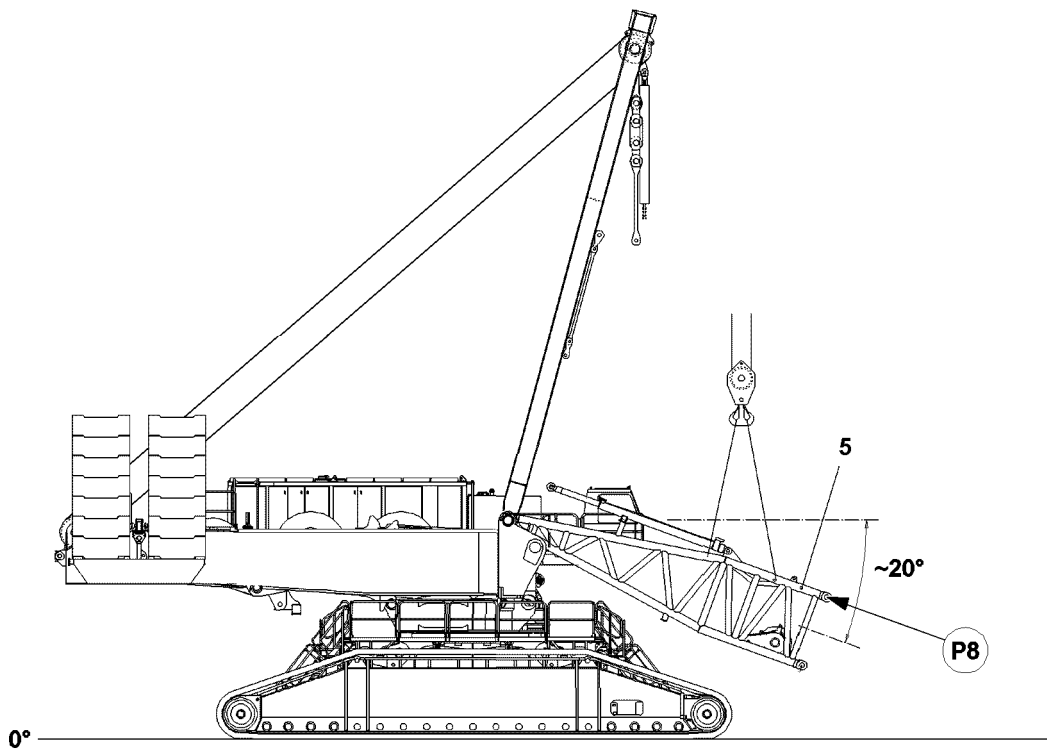


Fig.112575

LWE/LR 11350-005/19004-04-02/en

2.1.4 Assembling the D-intermediate section on the D-pivot section

Make sure that the following prerequisites are met:

- The D-pivot section is pinned and secured on the turntable.
- The D-pivot section hangs on the auxiliary crane.
- The winch 3 is **not** installed on the D-pivot section.



Note

- ▶ Always support the D-lattice sections sufficiently for easier assembly!
- ▶ Pin and unpin the D-lattice sections with the pin pulling device, see Crane operating instructions, chapter 5.30!

NOTICE

Damage to the D-pivot section!

If the D-pivot section with installed winch 3 and pinned D-intermediate section is laying on the turntable, the D-pivot section can be overloaded and damaged.

- ▶ Winch 3 may only be installed on the D-pivot section after closing the D-pivot section with the D-intermediate section.
- ▶ Lower the D-pivot section **5** with the auxiliary crane until it rests on the turntable.
- ▶ Release the auxiliary crane on the D-pivot section **5** and attach on the D-intermediate section **10**.
- ▶ Attach the D-intermediate section on the auxiliary crane and swing it in to the D-pivot section.
- ▶ Pin the D-intermediate section **10** on the D-pivot section **5** at point **P8 on top**: Insert the pin **15** and secure with spring retainer **16**.
- ▶ Close the D-intermediate section **10** and the D-pivot section **5** with the auxiliary crane and pin on both sides at point **P9 on the bottom**: Insert the pin **15** and secure with spring retainer **16**.

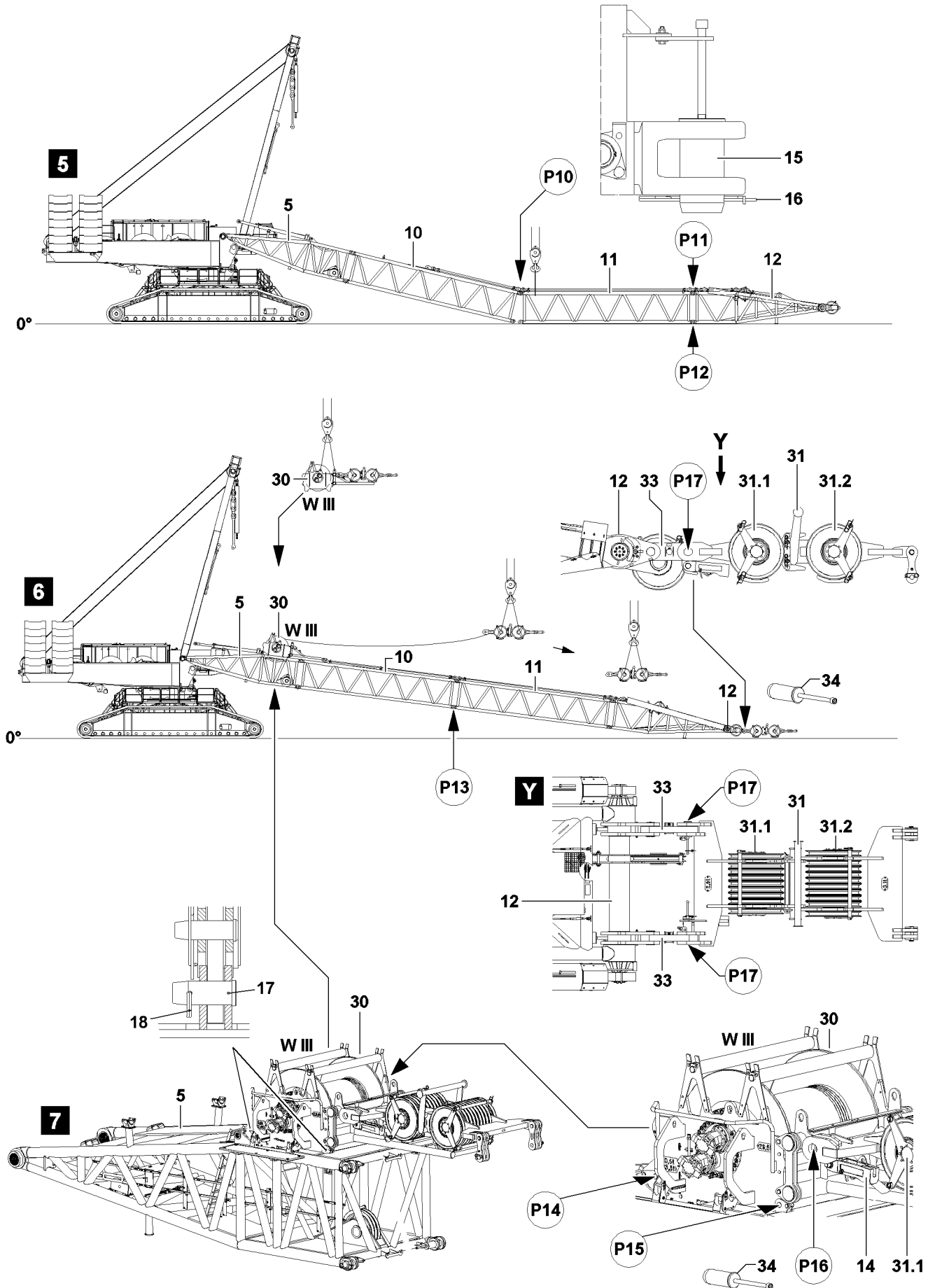


Fig.112576

LWE/LR 11350-005/19004-04-02/en

2.1.5 Assembling the D-reducer section and the D-end section

- ▶ Pin the D-reducer section **11** on the D-intermediate section **10** at point **P10 on top**: Insert the pin **15** and secure with spring retainer **16**, see illustration.
- ▶ Pin the D-end section **12** on the D-reducer section **11** at point **P11** and point **P12** on both sides: Insert the pin **15** and secure with spring retainer **16**.
- ▶ Closing the D-boom: Lift the D-reducer section **11** with the auxiliary crane until the pin bores align at point **P13 on the bottom**.

When the pin bores align:

- ▶ Insert the pin **15** on both sides at point **P13 on the bottom** and secure with spring retainer **16**.
- ▶ Position winch 3 **W III** with the auxiliary crane on the D-pivot section **5**.

When winch 3 **W III** is laying on the centering pins on the D-pivot section **5**:

- ▶ Pin winch 3 **W III**: Insert the pin **17** at point **P14** and point **P15** on both sides and secure with spring retainer **18**.

2.1.6 Assembling the pulley block on the D-end section

Make sure that the following prerequisites are met:

- Winch 3 **W III** is reeved in on the pulley block **31**.
- The rope clamp of winch 3 **W III** is installed on the lock **14** on the lower pulley block **31.1**.



WARNING

Falling pulley block!

If the pulley block **31** is not held safely by the auxiliary crane when unpinning it on the transport receptacle, then the pulley block can fall down!

Personnel can be severely injured or killed!

- ▶ The pulley block **31** must hang safely on the auxiliary crane before unpinning it on the transport receptacle!
- ▶ Attach the pulley block **31** onto the auxiliary crane.
- ▶ Unpin the pulley block **31** on the transport receptacle at point **P16**: Release and unpin the pin **34**.

NOTICE

Danger of slack rope on winch 3!

When spooling out winch 3 **W III**, the rope may slacken up!

- ▶ Spool out only as much rope as is actually needed to position the pulley block on the D-end section!
- ▶ Pull the pulley block **31** with the auxiliary crane to the D-end section **12** while spooling out winch 3 **W III** at the same time.
- ▶ Pin the pulley block **31** on the pull test brackets **33** on the D-end section **12**: Insert the pins **34** on both sides at point **P17** and secure.
- ▶ Spool up winch 3 **W III** until the control rope is slightly tensioned between the upper pulley block and the lower pulley block.

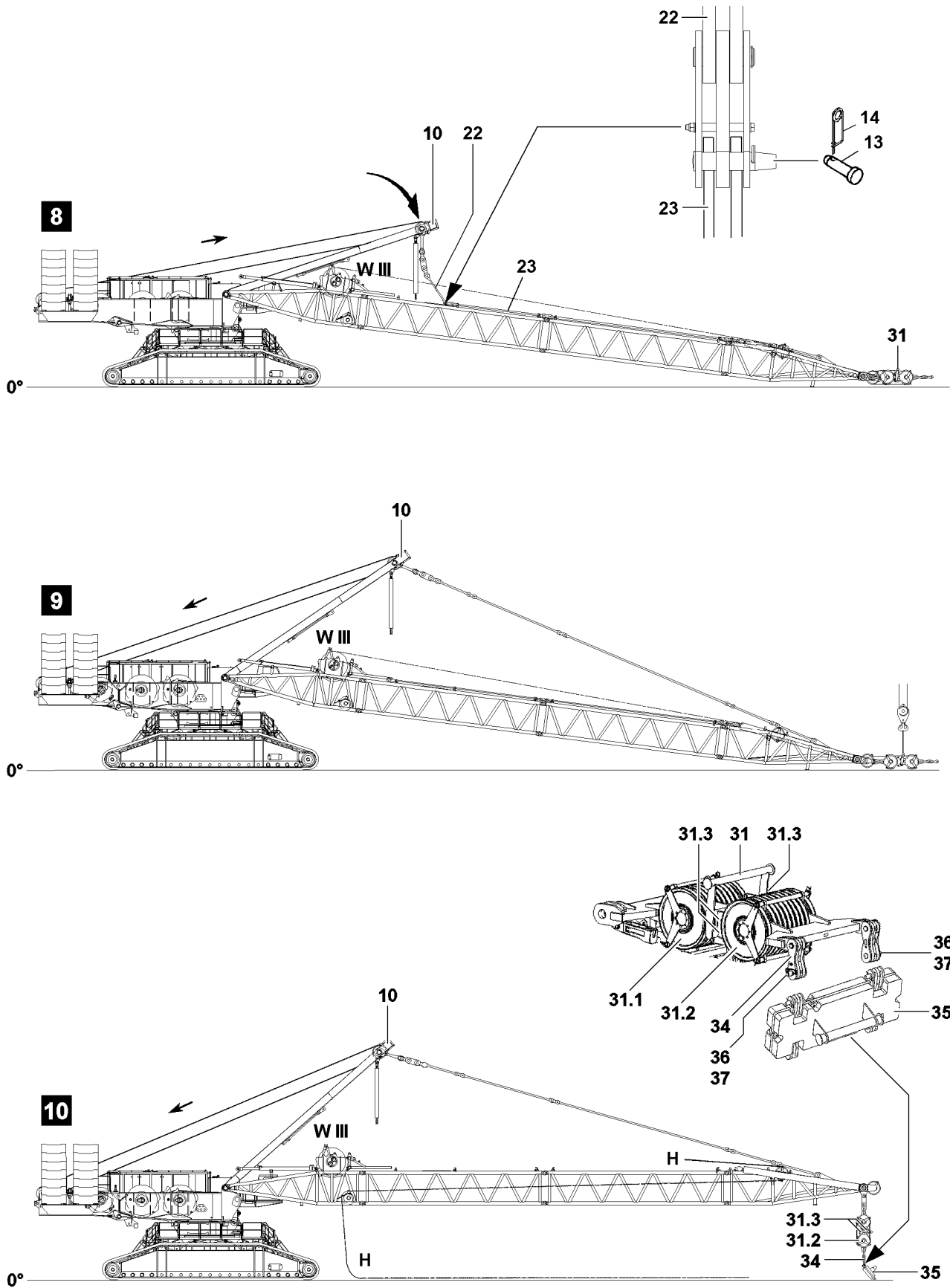


Fig.112577

2.1.7 Assembling the D-guy rods



Note

- ▶ Assemble and secure the D-guy rods according to the rod plan.
- ▶ The numbering on the guy rods must match the numbering in the rod plan.

The D-guy rods are placed and secured for transport on the D-lattice sections. Before assembly, the transport retainers must be released.

- ▶ Release the transport retainers on the guy rods.

The guy rods for the derrick ballast are placed and secured for transport **inside** on the D-lattice sections. Before assembly, they must be placed on the folded out receptacles toward the outside.

- ▶ Lower the SA-frame **10** to the front.
- ▶ Pin the guy rods **22** with the guy rods **23**: Insert the pin **13** and secure with spring retainer **14**.

When the guy rods are pinned and secured:

- ▶ Luff up the D-boom until the pulley block **31** hangs freely above the ground.
- ▶ Pin the assemble weight **35** on the lugs **34** and secure: Insert the pin **36** and secure with spring retainer **37**.



WARNING

Falling upper pulley block!

When unpinning the transport retaining pipes between the lower pulley block **31.1** and the upper pulley block, the upper pulley block **31.2** can fall down!

Personnel can be severely injured or killed!

- ▶ Make sure that the control rope of winch 3 **W III** is reeved and tensioned between the lower pulley block **31.1** and the upper pulley block **31.2**!
- ▶ Make sure that there are no persons within the danger zone when unpinning the pulley blocks!

- ▶ Release and unpin the transport retaining pipes **31.3** between the upper pulley block **31.2** and the lower pulley block **31.1**.



WARNING

Falling hoist rope!

If the hoist rope is not reeved with the respective length over the D-boom before the erection procedure, then it can fall backward due to its own weight!

Personnel can be severely injured or killed!

- ▶ Enough hoist rope **H** must be guided over the cable pulleys to prevent the hoist rope from being pulled back and fall down when erecting the D-boom!
- ▶ Do not step into the danger zone!

- ▶ Pull the hoist rope over the rope pulleys on the D-end section and the D-pivot section.

Fig.195219

LWE/LR 11350-005/19004-04-02/en

2.2 Establishing the electrical connections

Make sure that the following prerequisite is met:

- The D-boom is completely assembled.



Note

- ▶ To establish the electrical connections, see Electric wiring diagram!

- ▶ Establish the electrical connections.
- ▶ Make sure that all electrical connections on the boom are established.

2.3 Establishing the hydraulic connections

The hydraulic connections are made with quick-release couplings.

When connecting hydraulic lines with quick-release couplings, make sure that the coupling procedure is carried out correctly.



WARNING

Pressure in the hydraulic lines!

If the pressure supply is not interrupted before connecting / releasing the hydraulic lines, the hydraulic oil can escape with high pressure!

Personnel can be severely injured or killed!

- ▶ Release the pressure in the hydraulic system before connecting / disconnecting: Interrupt the pressure supply and wait for a short time!

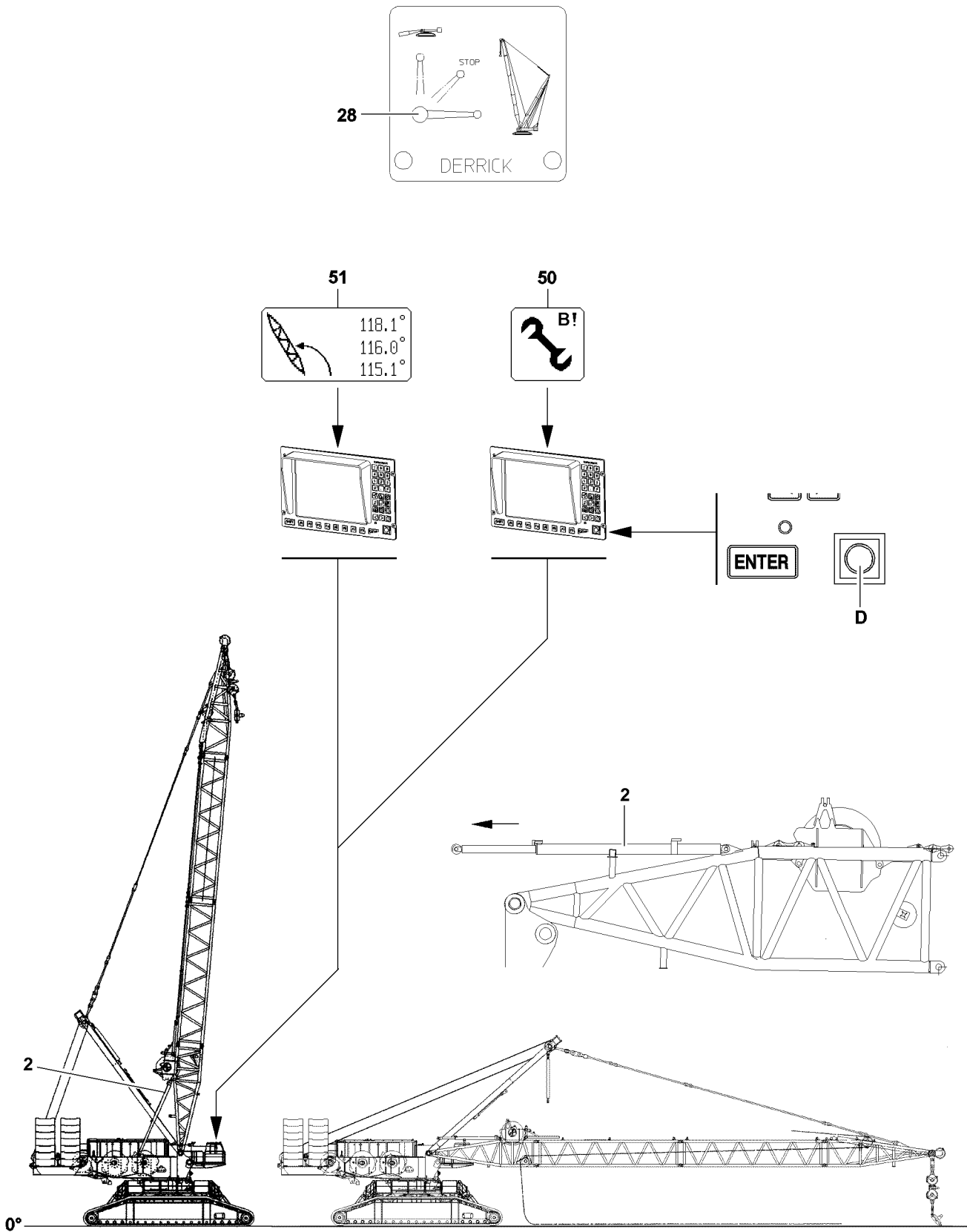


WARNING

Loss of pressure or leakage!

Incorrectly coupled or self-loosening quick-release couplings (particularly return lines) can result in serious accidents due to component failure!

- ▶ Check that the quick-release couplings have been properly connected before using the crane!
- ▶ Connect the coupling components (sleeve and connector) and screw together with the hand-tightened nut.
- ▶ Tighten hydraulic coupling by hand. Rotate the hand-tightened nut until it reaches a tangible, fixed stop position.
- ▶ Establish the hydraulic connection to the D-relapse cylinders.



LWE/LR 11350-005/19004-04-02/en

Fig.112573

2.4 Checking the function of the safety devices



WARNING

Non-functioning safety devices!

If the function of the safety devices is defective, personnel can be severely injured or killed!

▶ Crane operation with non-functioning safety devices is **prohibited!**



Note

▶ The function of the individual limit switches must be checked before erection!

▶ The function of the limit switch initiators must be checked in the test system, see Diagnostics manual!



Note

▶ If a function check on the limit switches or on the safety devices does not lead to the desired shut offs, then the plug connections on the connector boxes or the components itself must be checked!

▶ If no visible connection errors or component defects can be found, contact **Liebherr Service!**

Make sure that the following prerequisites are met:

- All electrical connections have been made.
- The crane engine is running.
- The corresponding operating mode is set on the LICCON monitor.

2.4.1 Checking the limit switch D-boom „Steepest position“



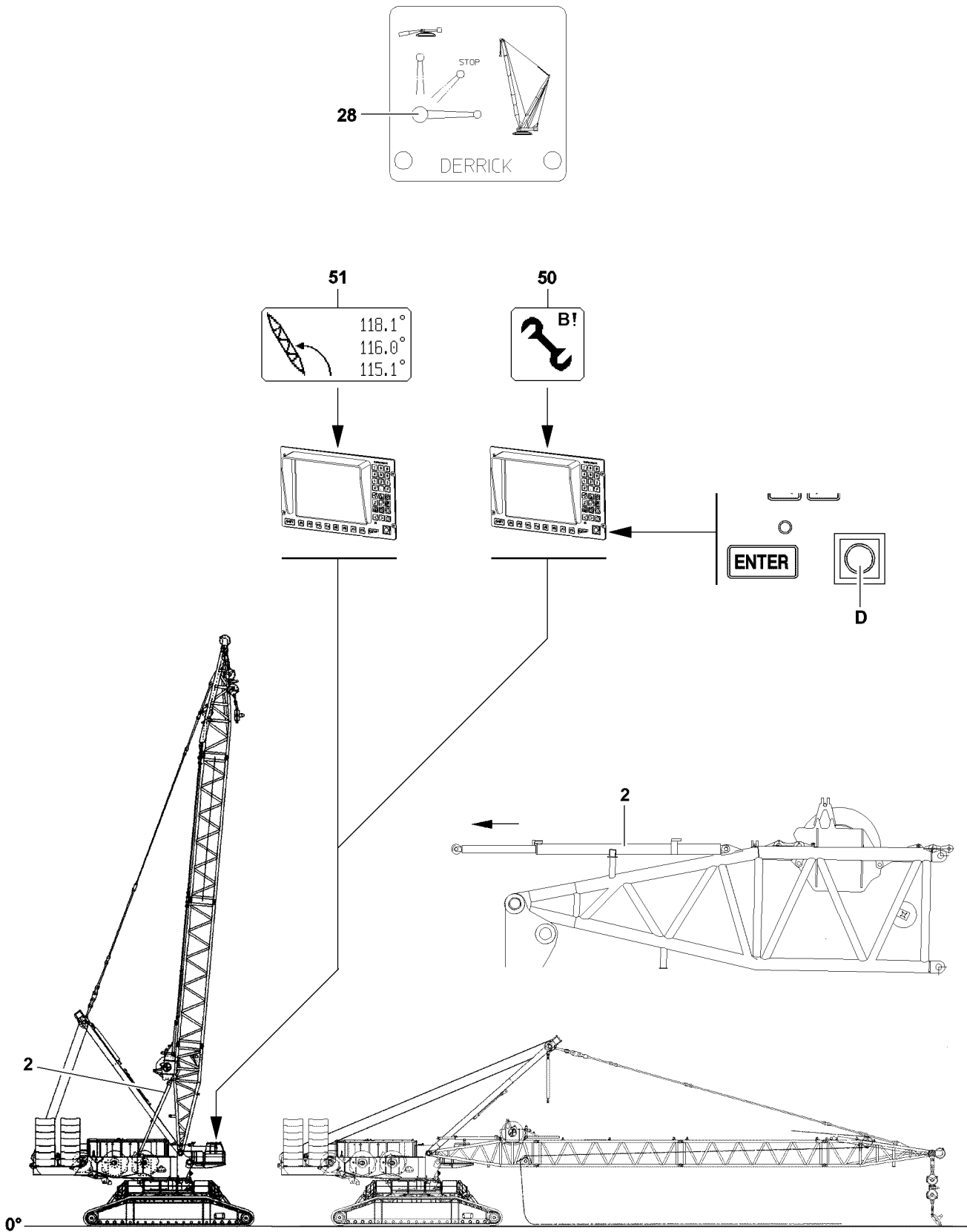
Note

▶ The limit switch functions have to be checked individually before erection!

▶ Cover the limit switch initiators on the D-relapse cylinders individually with a metal plate.

Result:

- The spool up function of the hoist winch turns off.
- The icon „Derrick boom angle“ appears on LICCON monitor 1, see illustration 51.
- The limit switch is functioning.



LWE/LR 11350-005/19004-04-02/en

Fig.112573

2.5 Erecting the D-boom



DANGER

The crane can topple over!

- ▶ It is not permitted to turn the crane during the erection procedure!
- ▶ Observe the data in the erection and take down charts!



WARNING

The crane can topple over!

If the following conditions are not met before erecting the D-boom, the crane can topple over!

Personnel can be severely injured or killed!

- ▶ Observe the safety technical notes, see Crane operating instructions, chapter 5.01!
- ▶ Extend the D-relapse cylinder **2** before erection!
- ▶ Do not allow slack cable to build up on the winch **3**!
- ▶ The ball valve cabinet must be locked!
- ▶ Always pull the key on the ball valve cabinet and hand it to an authorized person!



WARNING

Falling hoist rope!

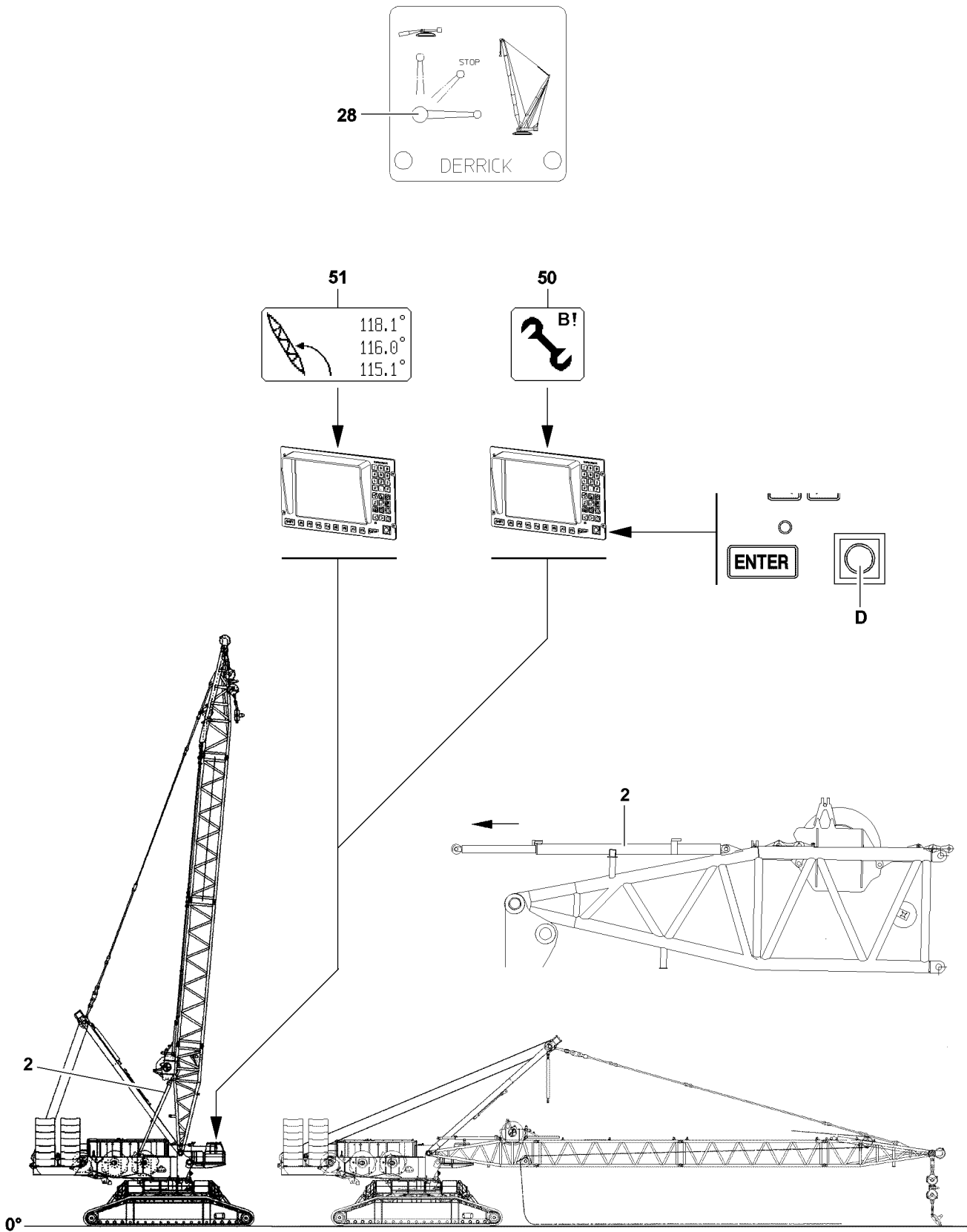
If the hoist rope is not reeved with the respective length over the D-boom before the erection procedure, then it can fall backward due to its own weight!

Personnel can be severely injured or killed!

- ▶ Reeve the hoist rope before the erection procedure with sufficient length on the D-boom!
- ▶ The hoist rope must be constantly monitored during erection!
- ▶ Do not step into the danger zone!

Make sure that the following prerequisites are met:

- The crane is aligned in horizontal direction.
- All electrical connections have been made.
- All hydraulic connections have been made.
- All limit switches are functioning.
- The counterweight has been installed on the turntable according to the load chart.
- All pin connections have been secured.
- The hoist rope has been correctly placed in the rope pulleys and is prevented from jumping out with the rope retaining pins.
- The LICCON overload protection has been set according to the data in the load chart.
- The LICCON overload protection settings have been compared with the actual crane configuration.
- The LICCON overload protection is exceeded.
- The assembly icon **50** is visible on the LICCON monitor.
- No personnel is within the danger zone.



LWE/LR 11350-005/19004-04-02/en

Fig.112573

2.5.1 Extending the D-relapse cylinder



WARNING

Mortal danger due to the D-boom!

If the D-relapse cylinders are not extended before erecting the D-boom, then the D-boom can fall backward!

Personnel can be severely injured or killed!

- ▶ The D-relapse cylinders **2** must be extended before erection of the D-boom!
- ▶ The ball valve **28** must be secured during crane operation to prevent unintended actuation!

The piston rod on the D-relapse cylinder **2** must be extended by actuating the ball valve **28**.

Ball valve positions	
Horizontal	Crane operation, extend the piston rod
Vertical	Assembly, retract the piston rod
45°	STOP (the piston rod cannot be retracted / extended)

Make sure that the following prerequisite is met:

- All hydraulic connections have been made.
- ▶ Move the ball valve **28** into horizontal position.

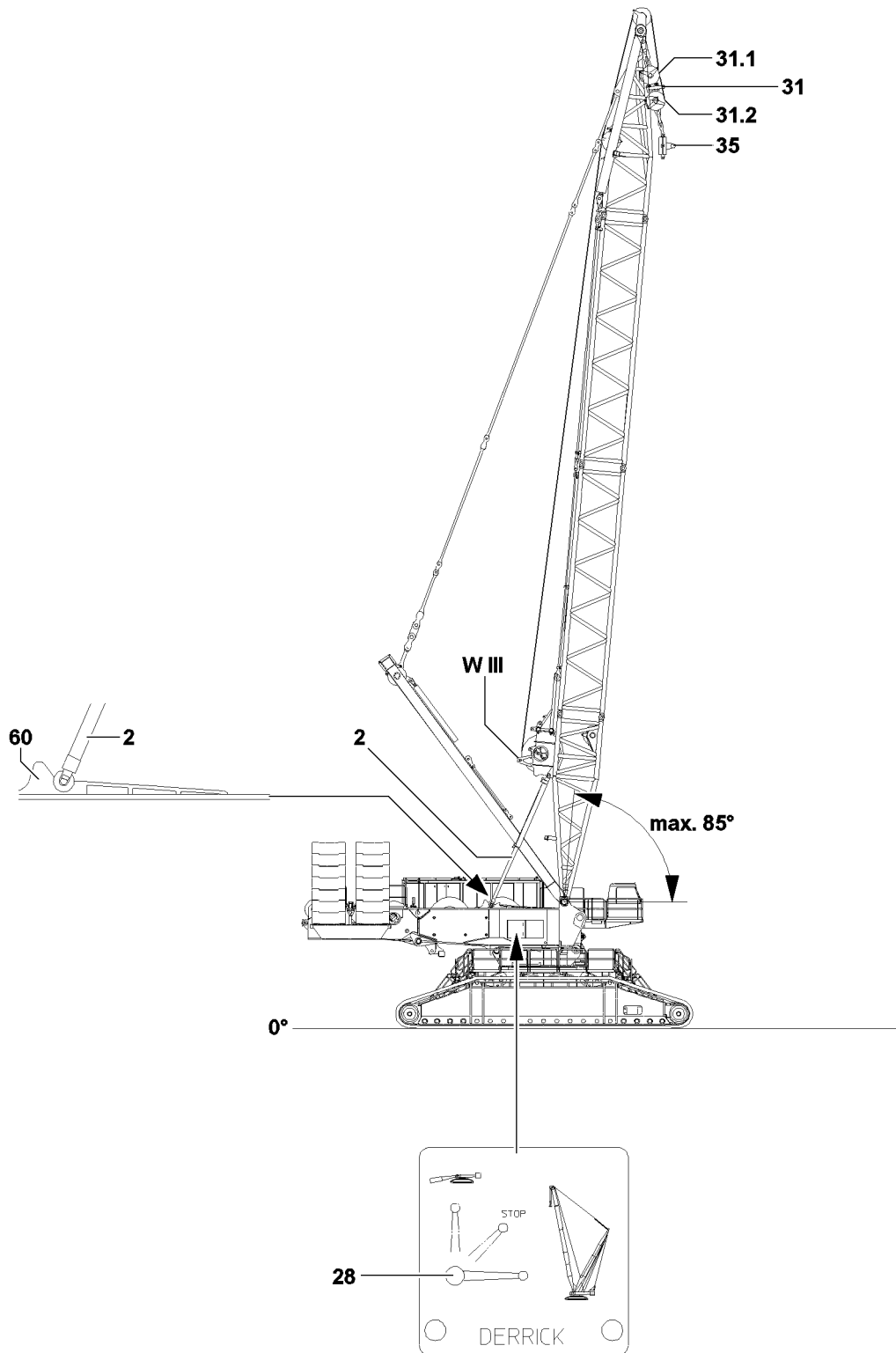
Result:

- The piston rods of the D-relapse cylinders **2** extend.



Note

- ▶ The ball valve is secured by closing the cabinet door and removing the key!
- ▶ Close the cabinet door and pull the key.
- ▶ Hand the key to an authorized person.



LWE/LR 11350-005/19004-04-02/en

Fig.112578

2.5.2 Erection procedure

Make sure that the following prerequisites are met:

- The D-relapse cylinders **2** are fully extended before erection.
- The control rope of winch 3 **W III** is properly reeved on the pulley block **31** and properly secured on the rope fixed point.
- The assembly weight **35** is assembled on the upper pulley block **31.2**.
- The transport retaining pipes between the upper pulley block **31.2** and the lower pulley block **31.1** are unpinned.



WARNING

The crane can topple over!

When erecting the D-boom, observe and adhere to the following conditions!

- ▶ It is not permitted to turn the crane superstructure during erection procedure!
 - ▶ Do not allow slack rope to build up on the winch 3 **W III**!
 - ▶ Make sure that the D-relapse supports **2** are moved into the stop rail **60**!
 - ▶ Do not erect the D-boom further than maximum 85° to the horizontal!
-
- ▶ Actuate winch 4 and erect the D-boom to an angle range of 75° to 85°.

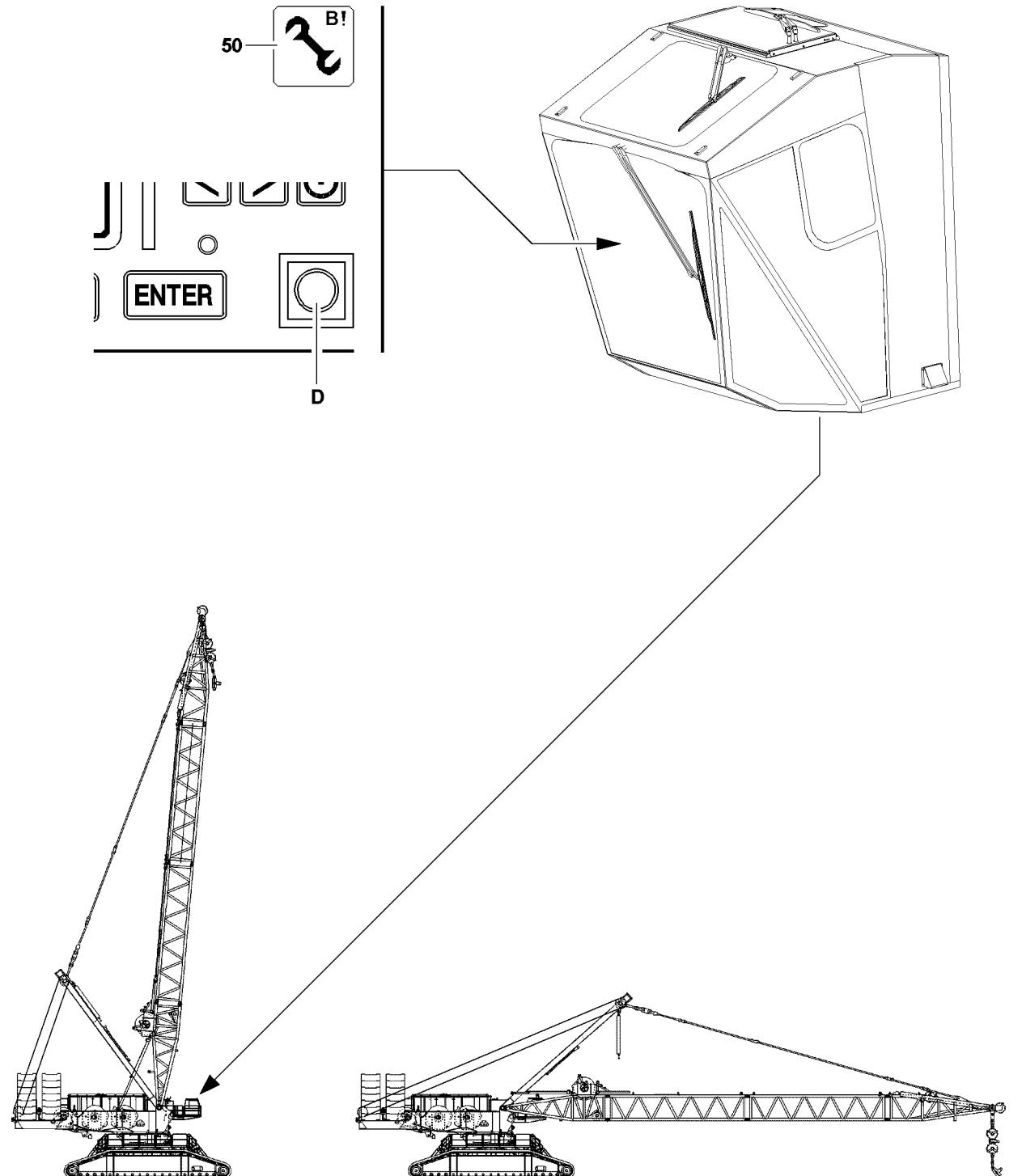


Fig.112570

3 Disassembly



WARNING

Risk of falling!

During assembly and disassembly, personnel must be secured with appropriate aids to prevent them from falling. If this is not observed, assembly personnel can fall and suffer life-threatening or fatal injuries!

- ▶ Any work, where there is a danger of falling must be carried out with suitable aids (for example: lifting platforms, scaffoldings, ladders, auxiliary crane)!
- ▶ If the work cannot be carried out with such aids nor from the ground, then the assembly personnel must secure themselves with approved fall arrest systems to avoid falling, see Crane operating instructions chapter 2.04!
- ▶ If railings are present on the components, then they must be brought into the corresponding position and secured for assembly / disassembly work!
- ▶ Step on aids and fall protection equipment only with clean shoes!
- ▶ Keep aids and fall protection equipment clean and free from snow and ice!
- ▶ During all assembly and disassembly work, maintenance work and inspections, travel or crane operation is prohibited!



WARNING

Falling components!

If unsecured or non-supported components are installed or removed, they can fall down! Personnel can be severely injured or killed!

- ▶ During pinning and unpinning of the lattice sections, it is prohibited for anyone to remain **under** or **on** the components as well as within the entire danger zone!
- ▶ Support the boom and components before pinning / unpinning!
- ▶ Pin or unpin both pins laying in a horizontal, i.e. **left** and **right**!
- ▶ Secure the pins in the bearing points and in the receptacles!
- ▶ Do not disengage the auxiliary crane until each component is pinned and secured!
- ▶ It is prohibited to lean a ladder against the component being disassembled!



WARNING

Danger of impact / crushing!

When installing / removing crane components with the auxiliary crane, crane components can start to swing back and forth!

When lifting / lowering and positioning crane components, there is an increased danger of impacts / crushing!

Personnel can be severely injured or killed!

- ▶ Make sure that personnel cannot be caught by components!
- ▶ Make sure that the crane is aligned in horizontal position to avoid the support beams from swinging by themselves!
- ▶ When working in danger zones: Use aids to protect limbs!
- ▶ Guide components with suitable aids to minimize oscillation!

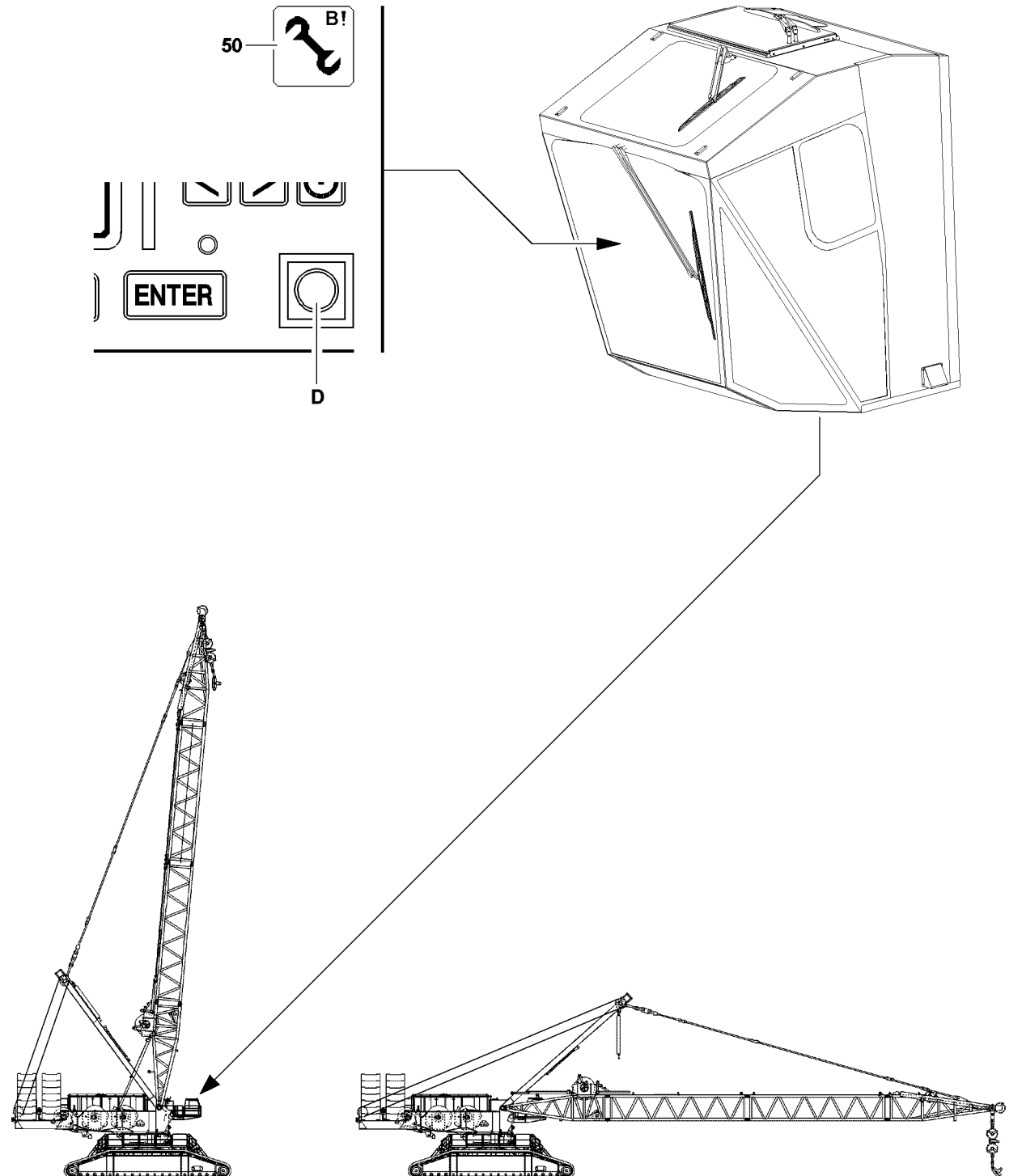


Fig.112570

3.1 Disassembling the D-boom



WARNING

Falling boom!

If the D-boom is not properly supported before disassembly or held with an auxiliary crane, then the D-boom can fall down when it is unpinned!

Personnel can be severely injured or killed!

- ▶ Before supporting the D-boom, the ground condition must be checked regarding load bearing capability and level!

If the ground condition is not classified as sufficient:

- ▶ Support the D-boom properly and safely with suitable material!

3.1.1 Turning the turntable into assembly position



DANGER

The crane can topple over!

If the following conditions are not met before turning the turntable, then the crane can topple over!

Personnel can be severely injured or killed!

- ▶ Observe the data in the erection and take down charts!

- ▶ Turn the turntable in longitudinal direction of the travel gear or to the side.

3.1.2 Exceeding the LICCON overload protection for disassembly



WARNING

Disassembly with turned on set up key!

When the set up key is engaged, the LICCON overload protection is exceeded!

In the event of deliberate improper use, the crane could collapse, the boom can break off or the crane can topple over!

Personnel can be severely injured or killed!

This could result in high property damage!

- ▶ The set up key **D** may only be actuated by persons who know the effects of a bypass!
- ▶ Press the set up key **D** only when the set up status was correctly entered into the LICCON computer system!
- ▶ Observe the erection / take down charts!
- ▶ Crane operation with the set up key **D** turned on is strictly prohibited!

- ▶ Turn the set up key **D** to the right.

Result:

- The LICCON overload protection is exceeded.
- The assembly icon **50** appears on the LICCON monitor.

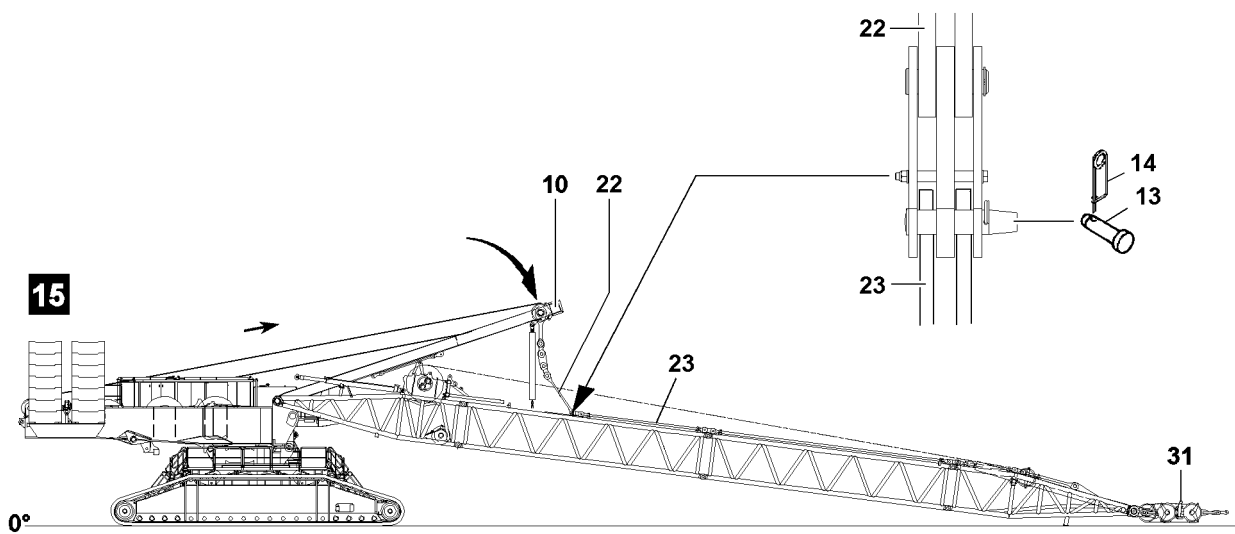
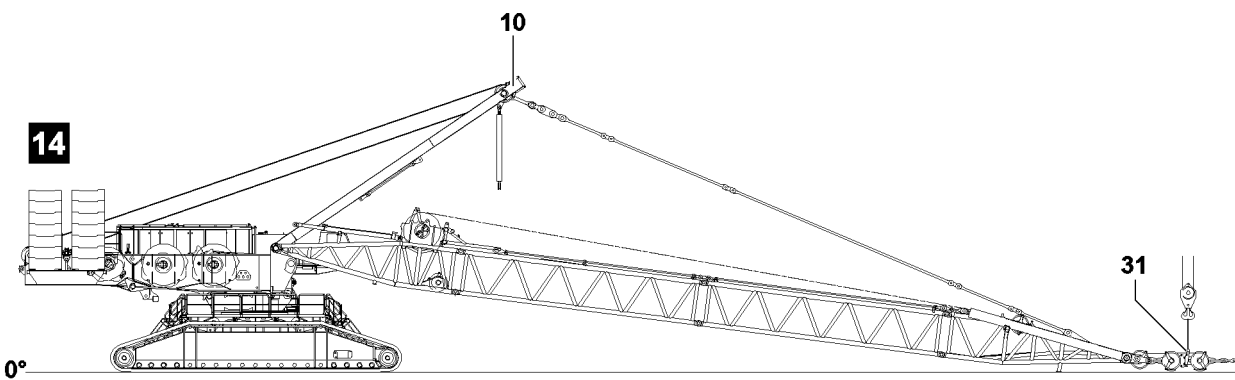
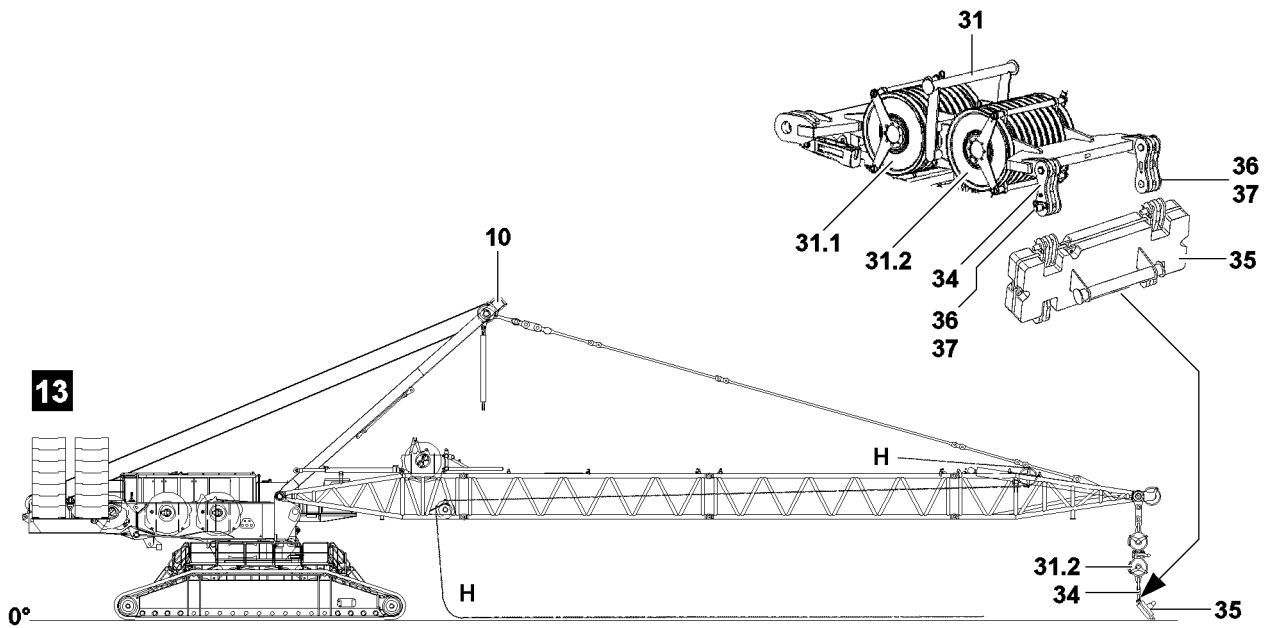


Fig.112579

LWE/LR 11350-005/19004-04-02/en

3.1.3 Luffing the D-boom down

- ▶ When luffing the D-boom down, spool up winch 3 **W III** simultaneously.

NOTICE

Damage to the pulley block!

By luffing the D-boom down too fast „in forward direction“, the pulley block can hit the ground. Significant damage can occur on the pulley block and on the D-end section!

- ▶ Luff the D-boom down carefully to the front!

-
- ▶ Luff the D-boom down to the front until the pulley block is just above the ground.

When the pulley block is just above the ground:

- ▶ Unreeve the hoist rope **H**.
- ▶ Attach the assembly weight **35** onto the auxiliary crane.
- ▶ Unpin the assembly weight **35** on the brackets **34**: Release the pins **36** and unpin.
- ▶ Remove the assembly weight **35** with the auxiliary crane.

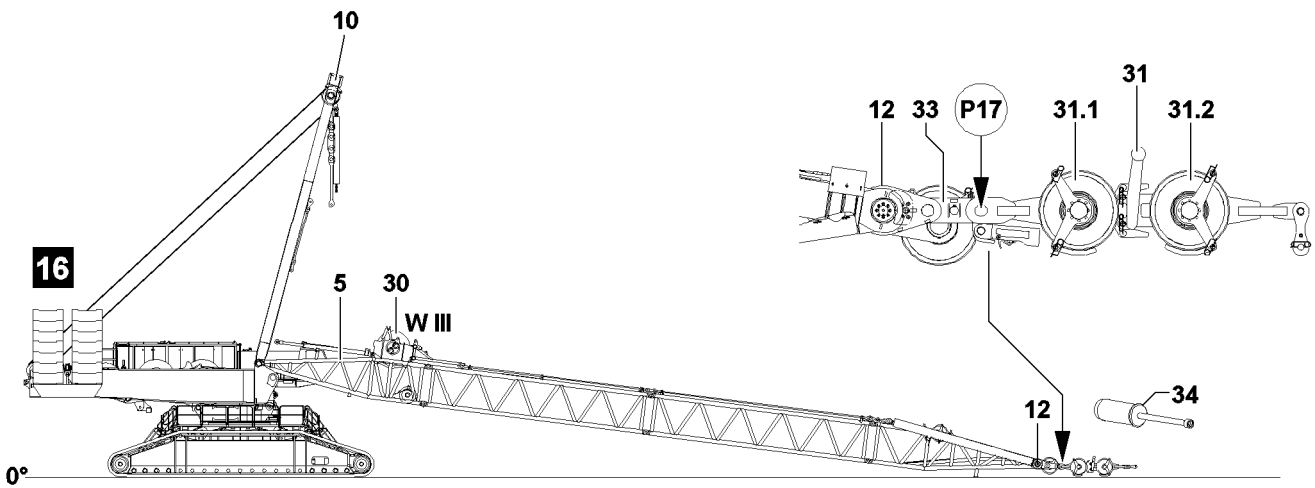
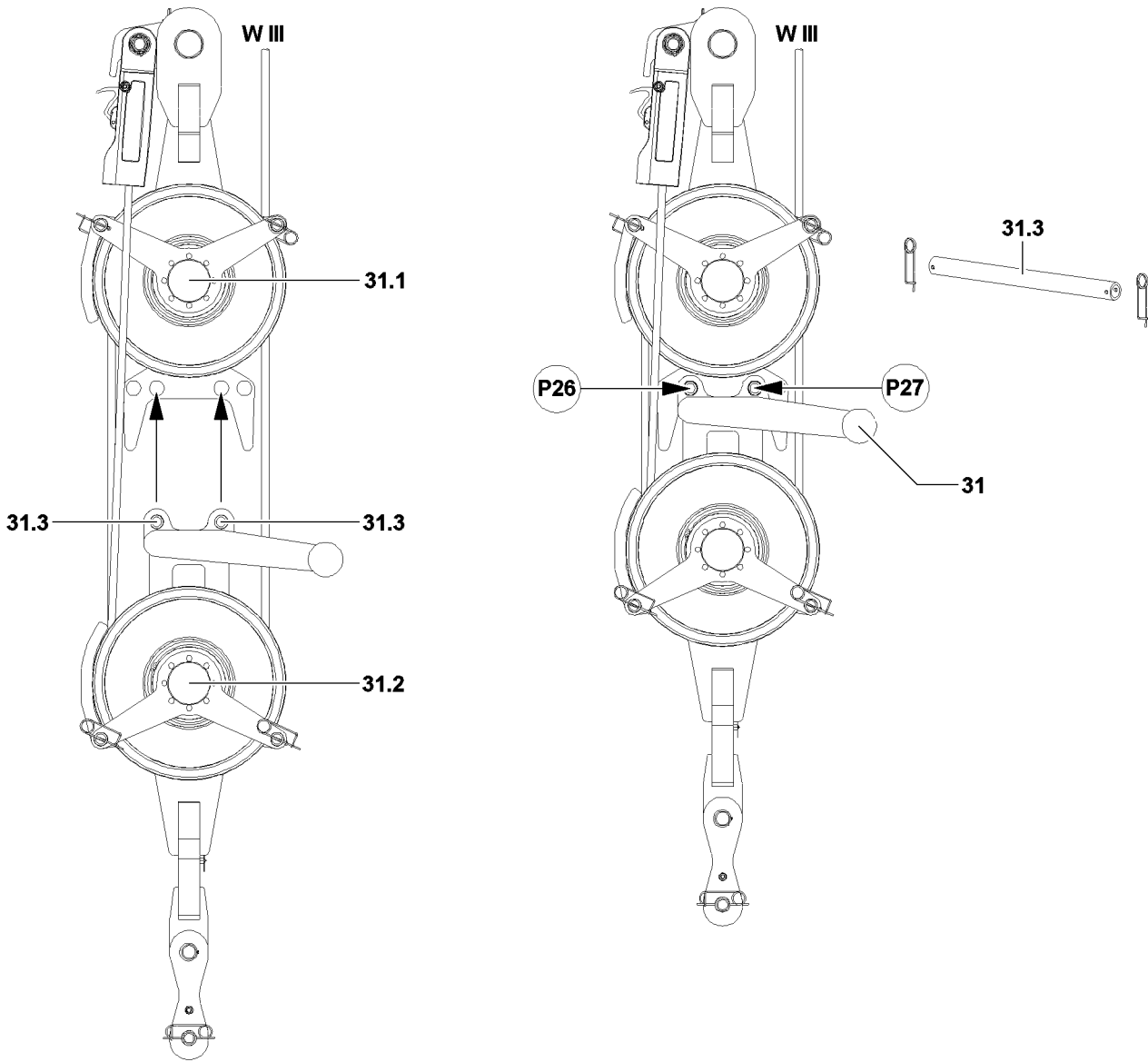


Fig.112581

LWE/LR 11350-005/19004-04-02/en

3.1.4 Pinning the upper pulley block with the lower pulley block

Make sure that the following prerequisites are met:

- The main boom is completely disassembled.
- The upper pulley block **31.2** hangs in reeved condition above the ground level.
- The transport retaining pipes **31.3** on the bracket of the lower pulley block **31.1** are unpinned.

The upper pulley block must be pinned with the lower pulley block before the complete pulley block can be placed in the transport receptacle on the D-pivot section.

- ▶ Luff the D-boom down slowly and spool up winch 3 at the same time until the upper pulley block **31.2** has moved together with the lower pulley block **31.1**.

NOTICE

Danger of property damage on the pulley block!

If the D-boom is luffed down too quickly, then significant property damage can occur on the upper as well as the lower pulley block!

- ▶ Always use a guide when connecting the upper and lower pulley block!
 - ▶ Carry out all crane movements slowly and with utmost caution!
 - ▶ When the upper pulley block and the lower pulley block are moved together completely, then the luff down movement of the D-boom must be stopped immediately!
-
- ▶ Move the upper pulley block **31.2** and the lower pulley block **31.1** completely together until the bores for the transport retaining pipes align at point **P26** and point **P27**.

When the upper pulley block and the lower pulley block are moved together completely:

- ▶ Stop winch 3 immediately.
- ▶ Pin the upper pulley block **31.2** with the lower pulley block **31.1**: Insert the transport retaining pipes **31.3** and secure with spring retainer.

Result:

- The upper pulley block **31.2** is connected with the lower pulley block **31.1** and now forms the „transport unit“ pulley block **31**.

3.1.5 Disassembling the pulley block

- ▶ Pull the pulley block **31** with the auxiliary crane up until the horizontal.
- ▶ Luff the D-boom down until the D-end section **12** is laying on the ground.
- ▶ Place the pulley block **31** carefully on the ground with the auxiliary crane.

Disassemble the pulley block on the pull test brackets **33** on the D-end section **12**:

- ▶ Release pins **34** on both sides at point **P17** and unpin.

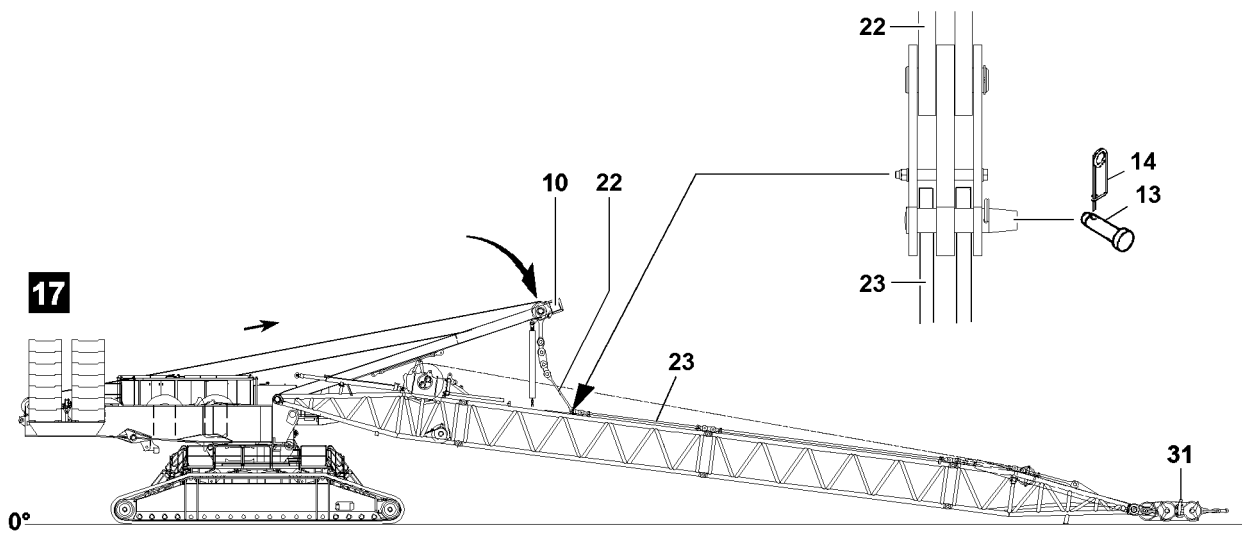


Fig.112582

3.1.6 Disassembling the D-guy rods

- ▶ Place the guy rods **22** into the transport retainers of the D-lattice sections: Lower the SA-frame **10** to the front.
- ▶ Luff the SA-frame to the front.
- ▶ Unpin the guy rods **22** on the guy rods **23**: Release spring retainer **14** and unpin the pin **13**.

The guy rods for the derrick ballast are placed and secured for transport inside on the D-lattice sections.

- ▶ Secure the guy rods in the transport retainers.
- ▶ Luff the SA-frame **10** up.

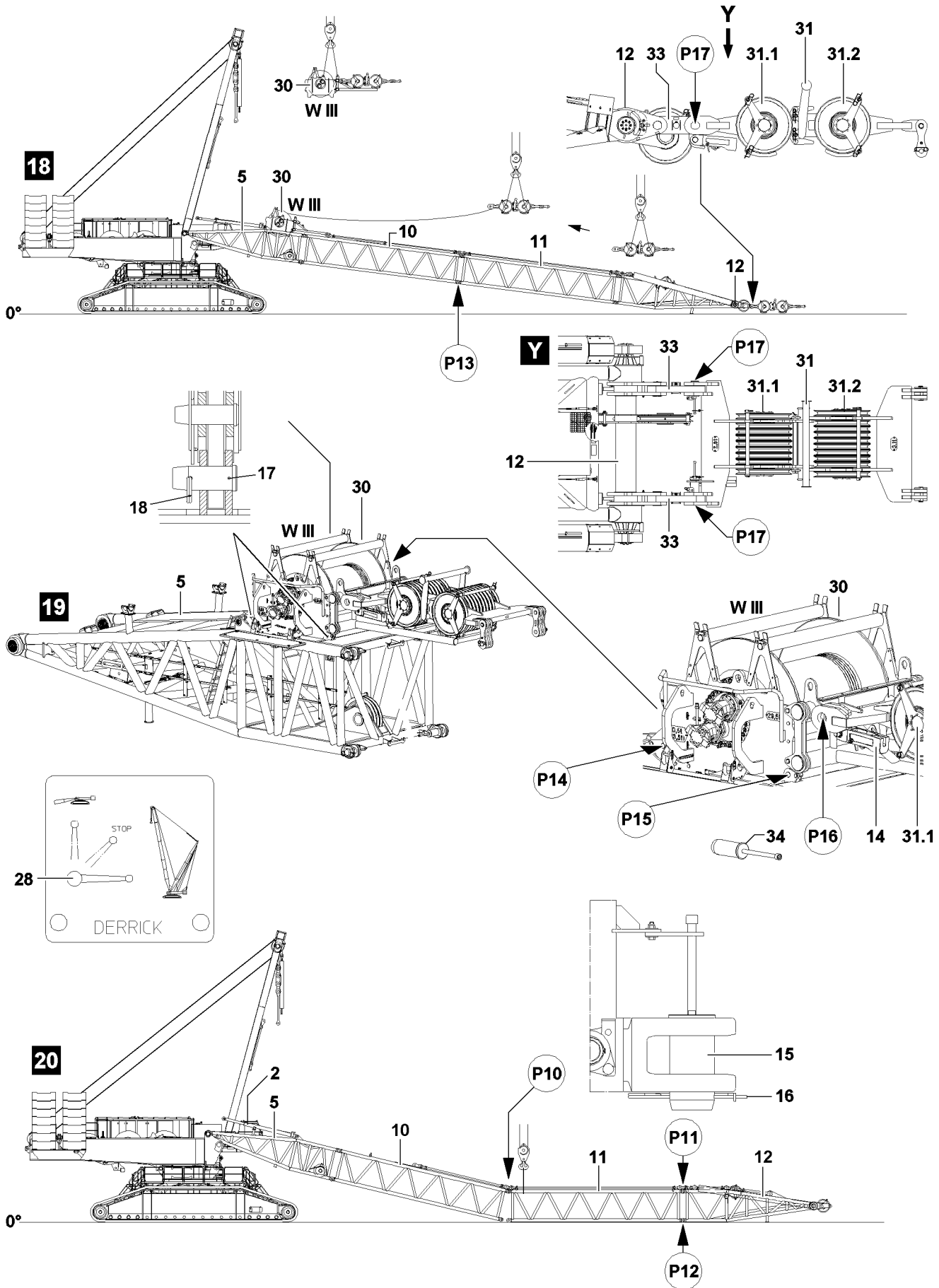


Fig.112583

LWE/LR 11350-005/19004-04-02/en

3.1.7 Disassembling the pulley block and winch 3



WARNING

Falling pulley block!

If the following condition is not met before unpinning winch 3, the pulley block **31** can fall down. Personnel can be severely injured or killed!

- ▶ The pulley block **31** must be pinned and secured on winch 3, check visually!

Make sure that the following prerequisites are met:

- The pulley block is unpinned on the pull test brackets **33** on the D-end section **12**.
- The guy rods are pinned and secured in the transport retainers of the D-lattice sections.
- The SA-frame is luffed up to approx. 75° to 85°.
- ▶ Attach the pulley block **31** onto the auxiliary crane.
- ▶ Pull the pulley block **31** with the auxiliary crane to the transport receptacle on winch 3 **W III** while spooling up winch 3 at the same time.
- ▶ Assemble the pulley block **31** on winch 3 **W III** at point **P16**: Insert and secure pin **34**.
- ▶ Attach winch 3 **W III** on the auxiliary crane.

When winch 3 **W III** is safely held by the auxiliary crane:

- ▶ Unpin winch 3 **W III** on the D-pivot section **5** at point **P14** and point **P15**: Release spring retainer **18** and unpin the pin **17**.
- ▶ Lift winch 3 complete, including pulley block, with the auxiliary crane from the D-pivot section **5**.

3.1.8 Retracting the D-relapse cylinder

The piston rod on the D-relapse cylinder **2** must be retracted by actuating the ball valve **28**.

Ball valve positions	
Horizontal	Crane operation, extend the piston rod
Vertical	Assembly, retract the piston rod
45°	STOP (the piston rod cannot be retracted / extended)

- ▶ Move the ball valve **28** into vertical position.

Result:

- The piston rod of the D-relapse cylinder **2** retracts.

Fig.195219

LWE/LR 11350-005/19004-04-02/en

3.1.9 Disconnecting the electrical connections

- ▶ Disconnect all electrical connections on the D-boom properly and store the plug and cable properly.

3.1.10 Disconnecting the hydraulic connections

When releasing hydraulic lines with quick-release couplings, make sure that the uncoupling procedure is carried out correctly.



WARNING

Pressure in the hydraulic lines!

If the pressure supply is not interrupted before connecting / releasing the hydraulic lines, the hydraulic oil can escape with high pressure!

Personnel can be severely injured or killed!

- ▶ Release the pressure in the hydraulic system before connecting / disconnecting: Interrupt the pressure supply and wait for a short time!
-
- ▶ Release the hydraulic coupling by hand.
 - ▶ Disconnect the hydraulic connection.
 - ▶ Store the hydraulic hoses properly.

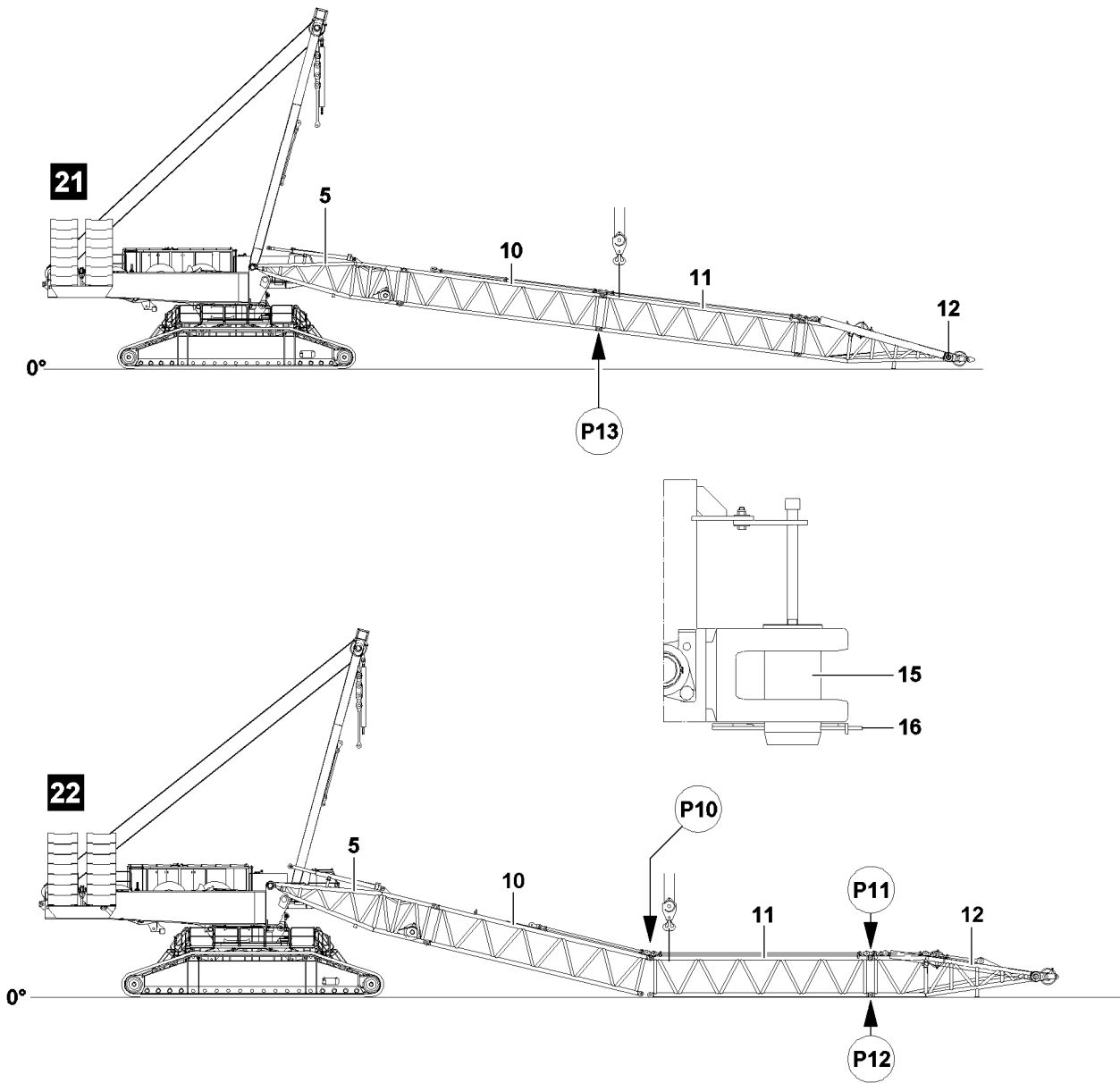


Fig.112584

3.1.11 Disassembling the D-end section and the D-reducer section

- ▶ Attach the auxiliary crane on the D-reducer section **11**.
- ▶ Lift the D-boom with the auxiliary crane until the D-end section **12** lifts off the ground.

When the D-end section has lifted off the ground:

- ▶ Unpin the pins **15** on both sides on point **P13 on the bottom**: Release spring retainer **16** and unpin the pin **15**.
- ▶ Place the D-boom with the auxiliary crane carefully on the ground.

When the D-reducer section and the D-end section are laying completely on the ground:

- ▶ Release and unpin the pins **15** on both sides at point **P11 on top** and at point **P12 on the bottom**.
- ▶ Attach the D-end section **13** on the auxiliary crane.
- ▶ Remove the D-end section **13** with the auxiliary crane.
- ▶ Attach the auxiliary crane on the D-reducer section **11**.
- ▶ Unpin the D-reducer section **11** on the D-intermediate section **10** on both sides at point **P10 on top**: Release spring retainer **16** and unpin the pin **15**.
- ▶ Attach the D-reducer section **11** on the auxiliary crane.
- ▶ Remove the D-reducer section **11** with the auxiliary crane.

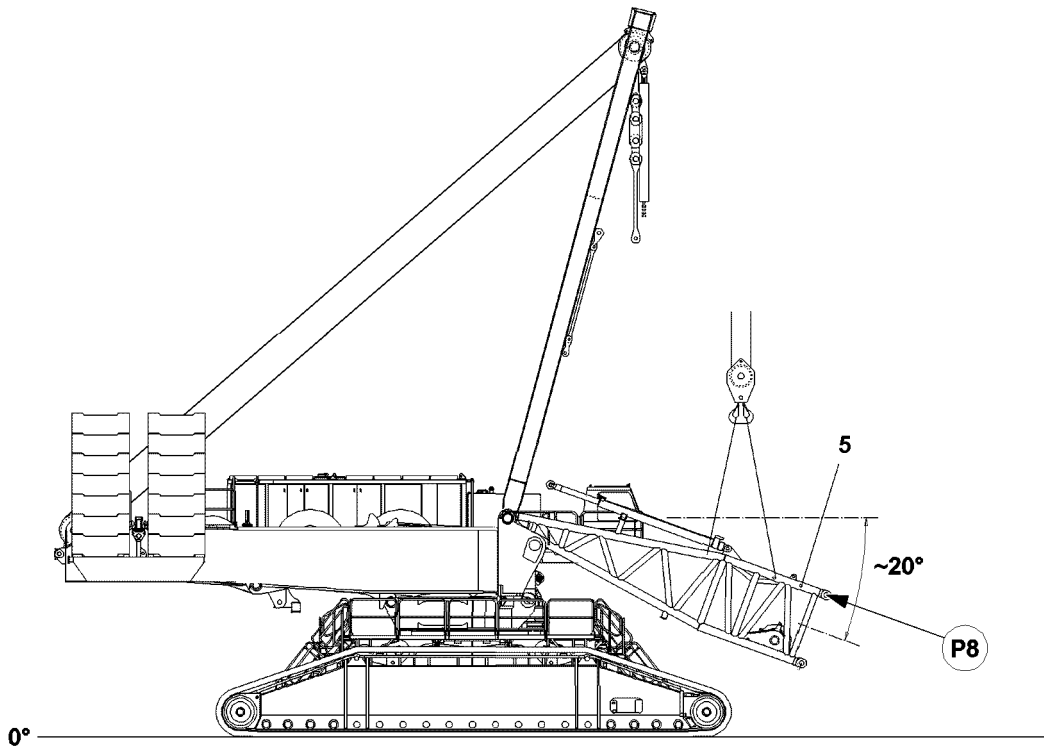
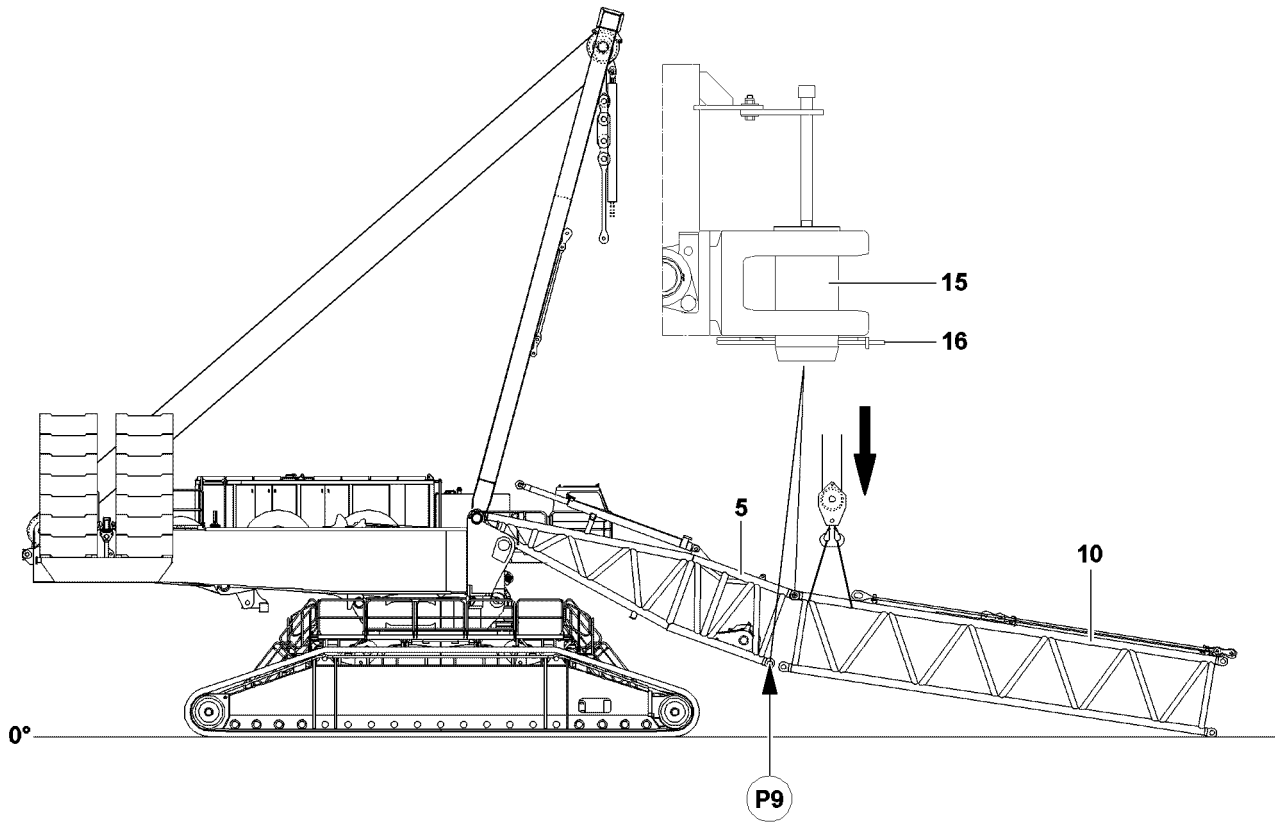


Fig.112585

LWE/LR 11350-005/19004-04-02/en

3.1.12 Disassembling the D-intermediate section

Make sure that the following prerequisites are met:

- Winch 3 is disassembled on the D-pivot section **5**.
- The D-intermediate section hangs on the auxiliary crane.
- The D-pivot section is not laying on the turntable.
- The D-intermediate section is pinned on both sides on the bottom and on top on the D-pivot section.

NOTICE

Damage of the D-pivot section and winch 3!

If winch 3 is still installed on the D-pivot section at disassembly of the D-intermediate section, then the D-pivot section and winch 3 can be significantly damaged!

- ▶ Make sure that winch 3 has been removed from the D-pivot section before disassembly of the D-intermediate section!

-
- ▶ Attach the D-intermediate section **10** on the auxiliary crane.

When the D-intermediate section is being safely held by the auxiliary crane:

- ▶ Release the pin **15** on both sides at point **P9 on the bottom** and unpin.
- ▶ „Open“ the D-boom **10** with the auxiliary crane until the D-pivot section **5** is laying on the turntable.
- ▶ Unpin the D-intermediate section **10** on the D-pivot section **5: on top**: Release pins **15** on both sides at point **P8** and unpin.
- ▶ Remove the D-intermediate section **10** with the auxiliary crane.

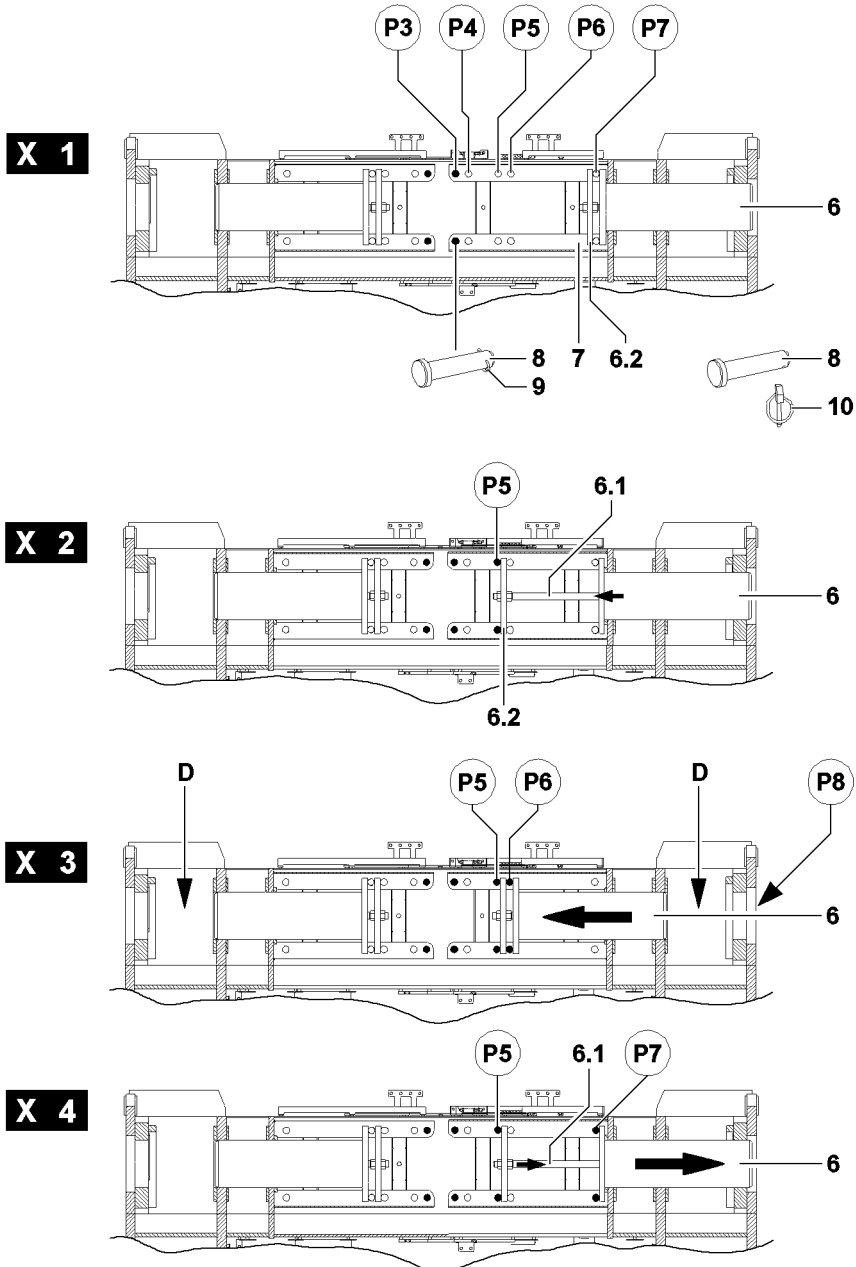
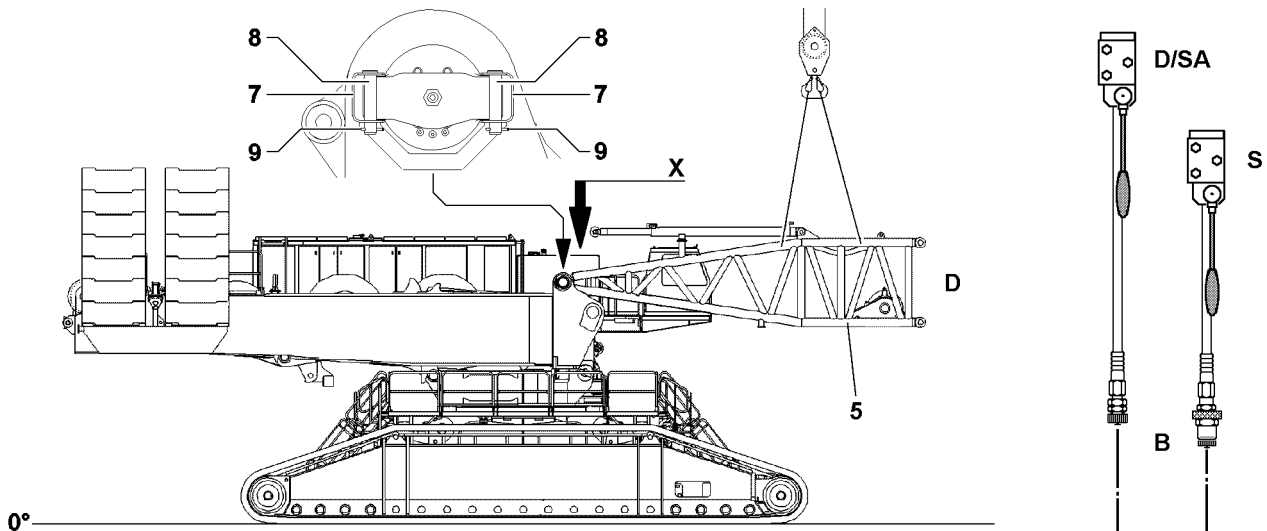


Fig.112586

LWE/LR 11350-005/19004-04-02/en

3.1.13 Unpinning the D-pivot section on the turntable

Make sure that the following prerequisites are met:

- The SA-frame is erected to approx. 85°.
- The pins **6** are completely pinned on both sides on the turntable, see illustration / view.
- The pins **7** are inserted and secured.



WARNING

Falling SA-frame!

For the disassembly of the D-pivot section, the pins **6** may not be unpinned too far, otherwise the SA-frame can fall down!

- ▶ Make sure that the pins **8** are pinned on both sides at point **P5** as stop pins before disassembly of the D-pivot section **5** on the turntable.



Note

- ▶ The hand levers **S**, **D/SA** and the hydraulic connections **B** for the pin pulling device integrated in the pin **6** are on the left side of the turntable.

- ▶ Establish the hydraulic connections from the pins **6** to the turntable, see Hydraulic diagram.
- ▶ Unpin the pins **6**: Release pins **8** on both sides at point **P7** and unpin, illustration / view **X2**.
- ▶ Insert the pin **8** again on both sides as stop pin at point **P5** and secure with linch pin **10**, see illustration / view **X2**.



WARNING

Falling D-pivot section!

If the D-pivot section is not properly secured with the auxiliary crane before unpinning, then the D-pivot section can fall down!

Personnel can be severely injured or killed!

- ▶ Make sure that the D-pivot section is safely held by the auxiliary crane before unpinning!
- ▶ Move the hand lever **D/SA** and extend the piston rod **6.1** until the plate **6.2** touches on the stop pins **8** at point **P5**, illustration / view **X2**.

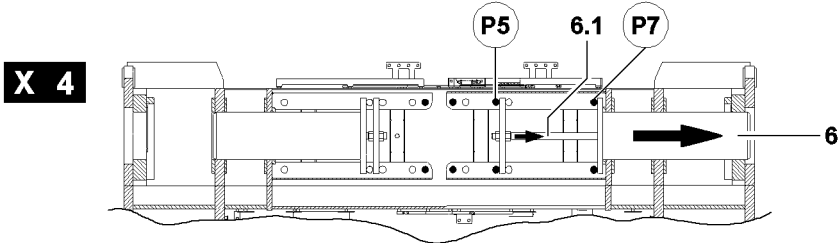
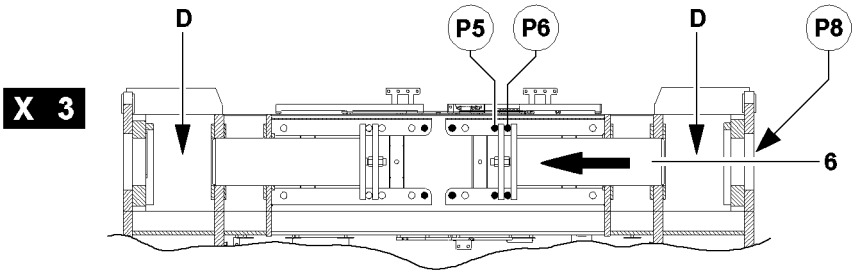
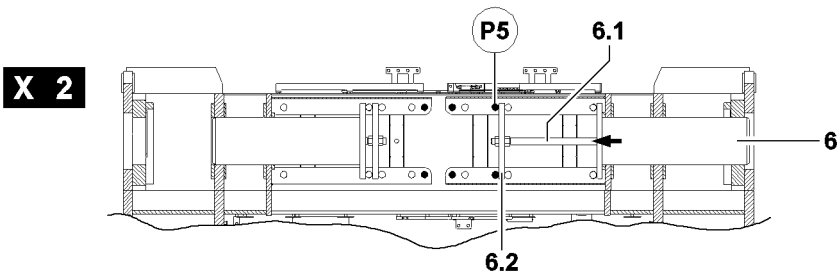
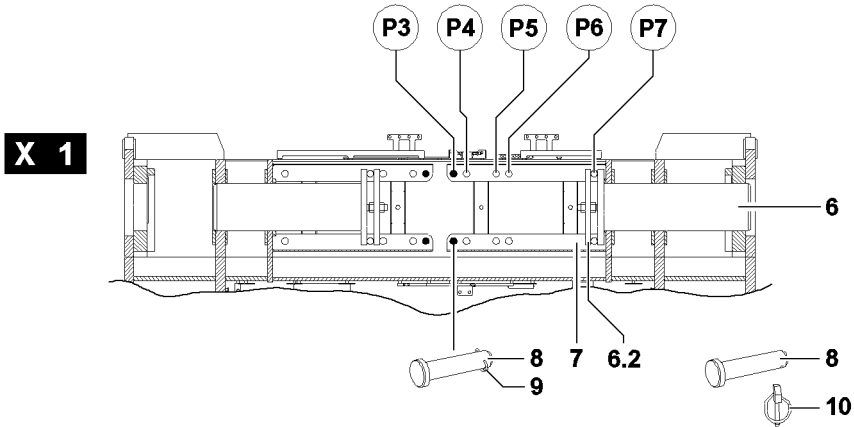
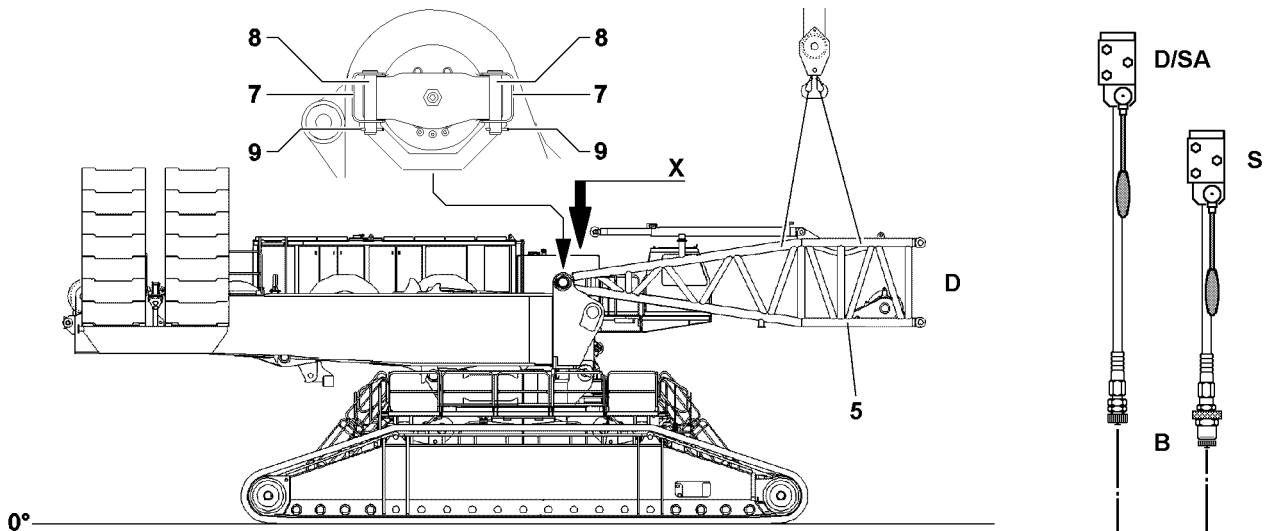


Fig.112586

LWE/LR 11350-005/19004-04-02/en

- ▶ Insert the additional pins **8** on both sides on points **P6** and secure with lynch pins **10**, see illustration / view **X3**.

Result:

- The plate **6.2** is „tensioned“ between the pins **8** at point **P5** and point **P6**.
- ▶ Move the hand lever **D/SA** and unpin the pin **6** until the pin **6** touches on the pins **8** at point **P6**, illustration / view **X3**.

Result:

- The D-pivot section can be swung out from the turntable with the auxiliary crane.
- ▶ Swing the D-pivot section out from the turntable with the auxiliary crane.

When the D-pivot section is swung out from the turntable:

- ▶ Insert the pins **6** again completely: Move the hand lever **D** and move the pins **6** all the way in on both sides.
- ▶ Secure the pins **6**: Release the pins **8** on both sides at point **P6** and unpin, then pin on both sides at point **P7** and secure with lynch pin **10**, illustration / view **X4**.

Result:

- The pins **6** are secured.
- ▶ Move the hand lever **D** and move the piston rod **6.1** of pin **6** all the way in.



Note

- ▶ Disassembly of the SA-frame, see Crane operating instructions, chapter 3.05!
-

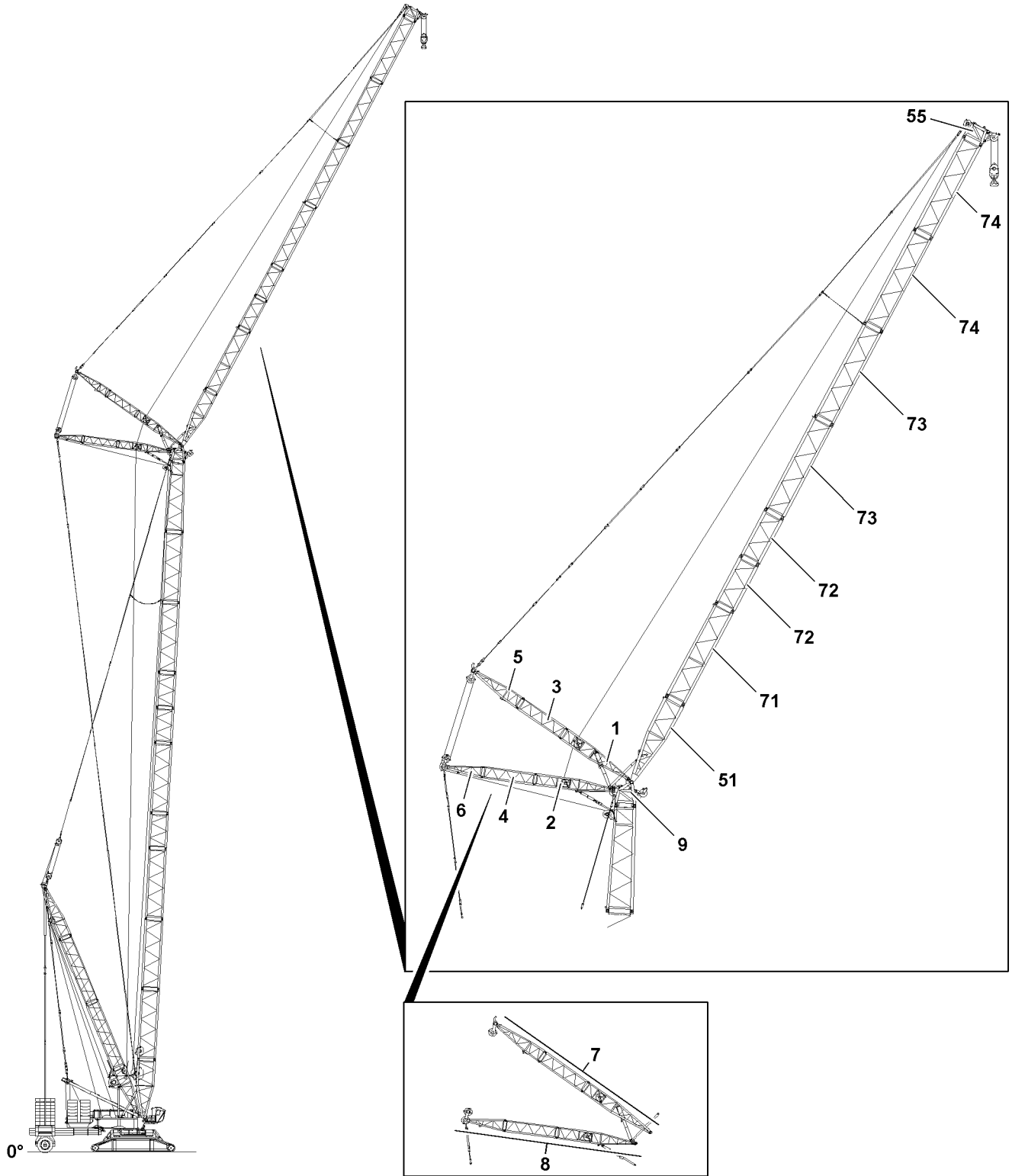


Fig.121138

LWE/LR 11350-005/19004-04-02/en

1 Component overview W-lattice jib / WA-frames



Note

- ▶ The dimensions and weights of the individual lattice sections and transport units are described in the Crane operating instructions, chapter 1.03.
- ▶ The combination of the W-lattice jib as well as the length of the WA-frames depends on the boom configuration or the operating mode. For the combinations / piecing of the various boom configurations, refer to the Rod plan and the Crane operating instructions, chapter 5.03.

- 1 WA-frame 1, pivot section
- 2 WA-frame 2, pivot section
- 3 WA-frame 1 intermediate section
- 4 WA-frame 2 intermediate section
- 5 WA-frame 1, end section
- 6 WA-frame 2, end section
- 7 WA-frame 1 complete¹⁾
- 8 WA-frame 2 complete²⁾
- 9 W-connector head
- 51 W-pivot section
- 71 LI-intermediate section 12 m 2621.20
- 72 LI-intermediate section 6 m 2621.10
- 73 LI-intermediate section 12 m 2621.10
- 74 LI-intermediate section 12 m 2621.8
- 55 SW-end section

1) consists of: WA-frame 1 pivot section **1**, WA-frame 1 intermediate section **3**, WA-frame 1 end section **5**

2) consists of: WA-frame 2 pivot section **2**, WA-frame 1 intermediate section **4**, WA-frame 1 end section **6**

2 Fastening points



WARNING

Falling lattice sections!

If the lattice sections are not properly fastened on the respective fastening points, then the lattice sections can tip over or fall down.

Personnel can be severely injured or killed.

- ▶ Make sure that the lattice sections are properly fastened on the respective fastening points.
- ▶ Make sure that the fastening equipment has the appropriate length and a sufficient load carrying capacity.
- ▶ Make sure that a crane with sufficient load carrying capacity is available for the assembly of the W-lattice jib.
- ▶ Pay attention and adhere to the labels on the fastening points on the lattice sections and crane components.

2.1 Fastening points Transport unit 1 (T1)

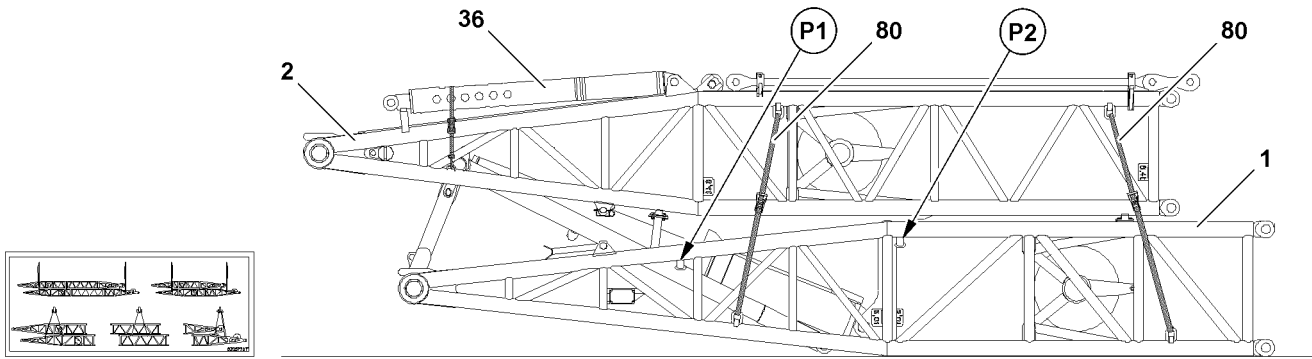


Fig.121131: Fastening points Transport unit T1

Fastening points	
P1 + P2	Assembly Transport unit T1

2.2 Fastening points Transport unit 2 (T2)

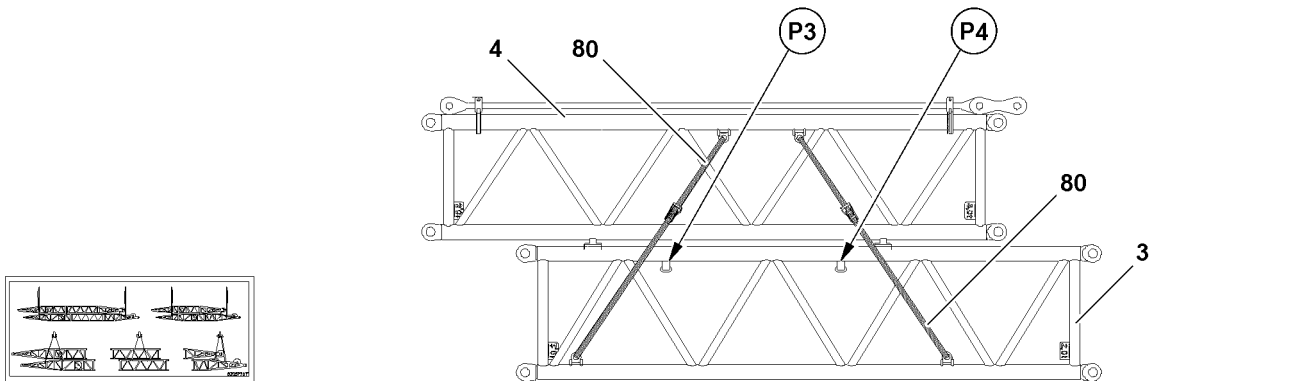


Fig.121132: Fastening points Transport unit T2

Fastening points	
P3 + P4	Assembly Transport unit T2

2.3 Fastening points Transport unit 3 (T3)

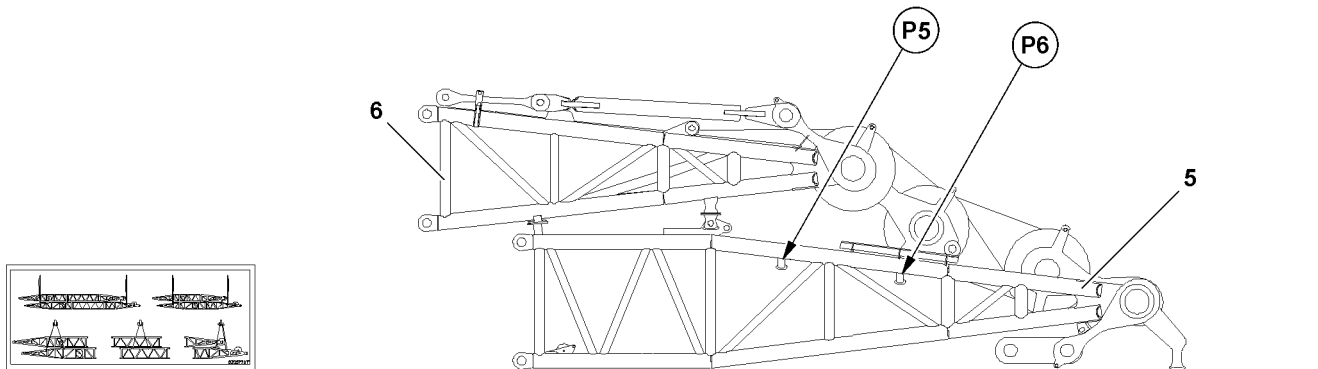


Fig.121133: Fastening points Transport unit T3

Fastening points	
P5 + P6	Assembly Transport unit T3

2.4 Fastening points Transport unit 4 (T4) (T4 = T1 + T3)

2.4.1 Short WA-frames

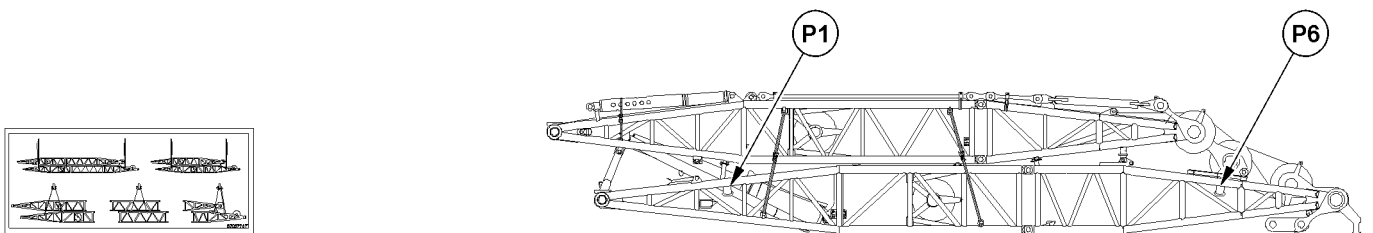


Fig.121136: Fastening points Transport unit T1 and T3 assembled

Fastening points	
P1 + P6	Assembly Transport unit T1 and T3 assembled

LWE/LR 11350-005/19004-04-02/en

2.5 Fastening points Transport unit 5 (T5) (T5 = T1 + T2 + T3)

2.5.1 Long WA-frames

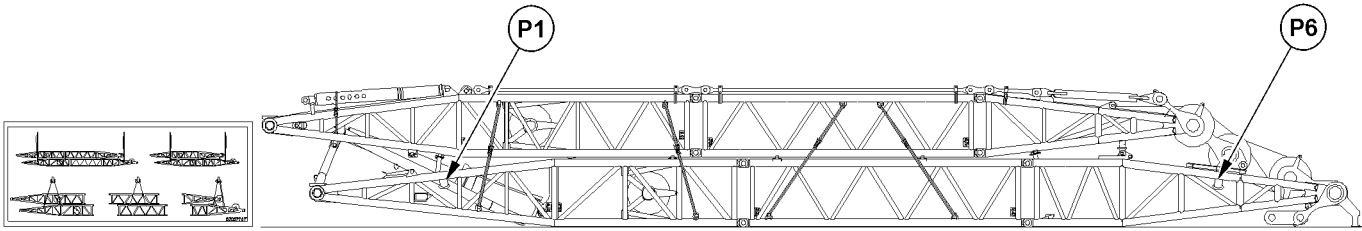


Fig.121134: Fastening points Transport unit T1, T2 and T3 assembled

Fastening points	
P1 + P6	Assembly Transport unit T1, T2 and T3 assembled

2.6 Fastening points W-pivot section

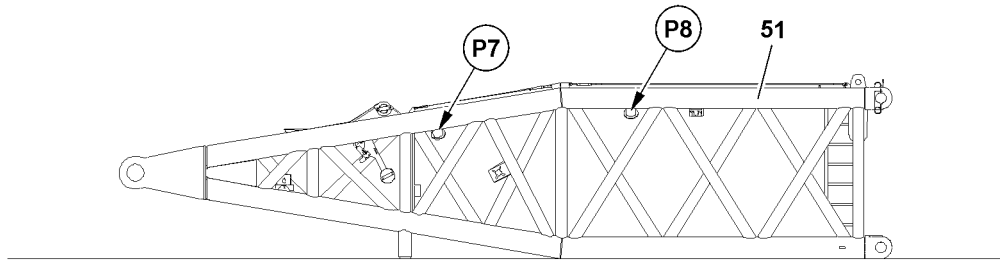


Fig.121140: Fastening points W-pivot section

Fastening points	
P7 + P8	W-pivot section

2.7 Fastening points LI-intermediate section 12 m 2621.20

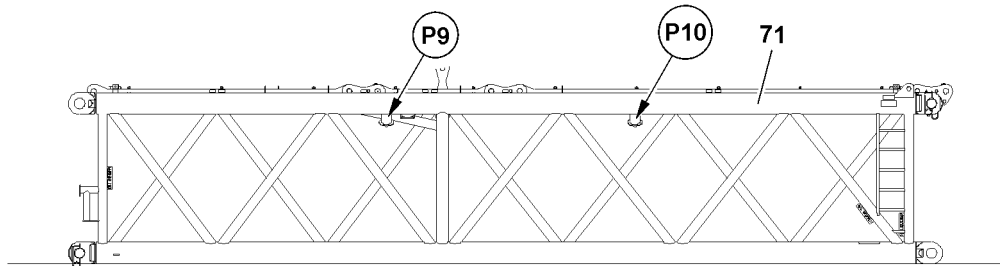


Fig.121231: Fastening points LI-intermediate section 12 m 2621.20

LWE/LR 11350-005/19004-04-02/en

Fastening points	
P9 + P10	LI-intermediate section 12 m 2621.20

2.8 Fastening points LI-intermediate section 6 m 2621.10

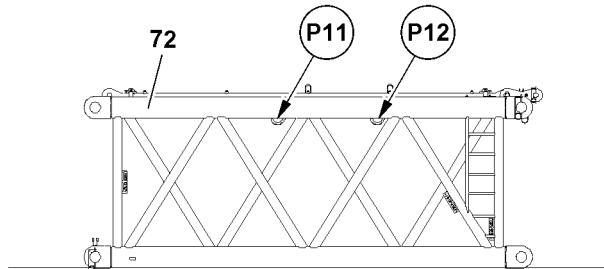


Fig.121232: Fastening points LI-intermediate section 6 m 2621.10

Fastening points	
P11 + P12	LI-intermediate section 6 m 2621.10

2.9 Fastening points LI-intermediate section 12 m 2621.10

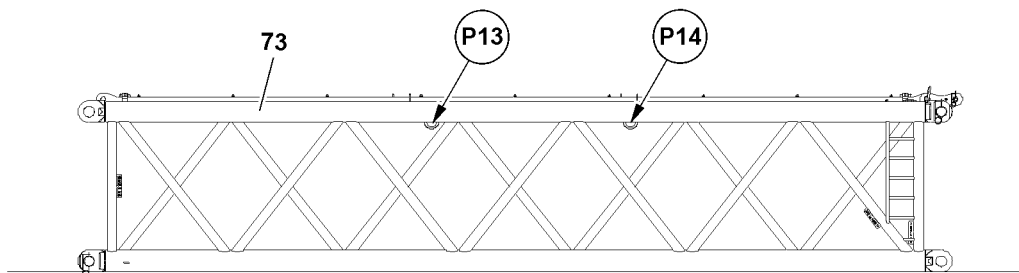


Fig.121233: Fastening points LI-intermediate section 12 m 2621.10

Fastening points	
P13 + P14	LI-intermediate section 12 m 2621.10

2.10 Fastening points LI-intermediate section 12 m 2621.8

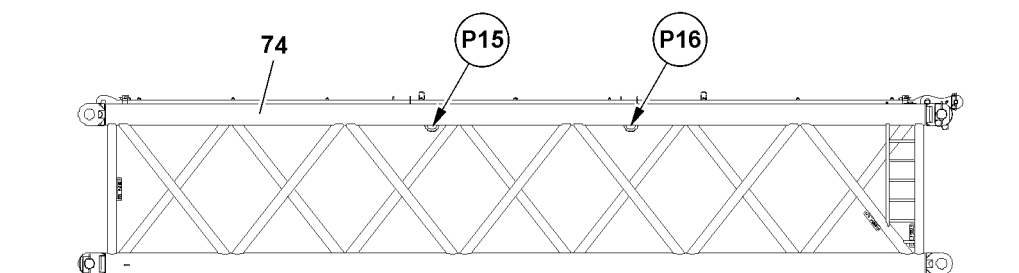


Fig.121234: Fastening points LI-intermediate section 12 m 2621.8

LWE/LR 11350-005/19004-04-02/en

Fastening points	
P15 + P16	LI-intermediate section 12 m 2621.8

2.11 Fastening points SW-end section

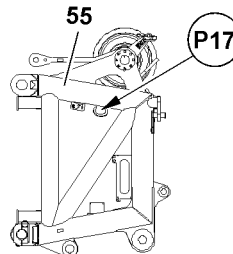


Fig.121235: Fastening points SW-end section

Fastening points	
P17	Assembly SW-end section

3 Assembly



WARNING

Danger of falling!

During assembly / disassembly, inspection and maintenance work, assembly personnel must be secured with appropriate aids to prevent them from falling. If this is not observed, assembly personnel could fall and suffer life-threatening or fatal injuries.

- ▶ All work aloft, where there is a danger of falling must be carried out with suitable aids.
- ▶ If fall arrest equipment is available, then it must be used, see Crane operating instructions, chapter 2.06.
- ▶ If aids are not available and work cannot be carried out from the ground, then the assembly personnel must secure themselves with the specified fall arrest system to prevent falling, see Crane operating instructions, chapter 2.04.
- ▶ The fall arrest system must be fastened on the fastening and hook points as well as on the safety ropes. For safety points, see Crane operating instructions, chapter 2.06.
- ▶ Only step on the aids, ladders and catwalks with clean shoes.
- ▶ Keep aids, ladders and catwalks free of heavy dirt, snow and ice.
- ▶ Remaining on as well as under a suspended load is prohibited.
- ▶ Remaining on or within crane components (for example: At assembly of boom sections, lattice sections) which are moved during lifting, lowering, turning or closing procedures is strictly prohibited.
- ▶ During all assembly and disassembly work, maintenance work and inspections, travel or crane operation is prohibited.
- ▶ It is prohibited to step on the boom system or an auxiliary boom without suitable protective devices.
- ▶ Stepping and walking on crane components and lattice sections, which have an incline of more than 20° is prohibited.

**WARNING**

The lattice sections can fall down!

If the lattice sections are not pinned and secured correctly, then they can fall down and fatally injure personnel.

- ▶ Pin or unpin both pins at the same horizontal level, i.e. **left and right**.
- ▶ Do not stand under the lattice sections or within the entire danger zone during the pinning and unpinning procedure of the boom.
- ▶ Secure the pins in the bearing points and the receptacles.
- ▶ It is prohibited to lean the ladder against the component being disassembled.
- ▶ Do not remove the fastening equipment and the auxiliary crane until each component is pinned on and secured.

**WARNING**

Danger of impact / crushing!

When installing / removing crane components with the auxiliary crane, crane components can start to swing back and forth.

When lifting / lowering and positioning crane components, there is an increased danger of impacts / crushing.

Personnel can be severely injured or killed.

- ▶ Make sure that personnel cannot be caught by components.
- ▶ Make sure that the crane is aligned in horizontal position to avoid the support beams from swinging by themselves.
- ▶ When working in danger zones: Use aids to protect limbs.
- ▶ Guide components with suitable aids to minimize oscillation.

Make sure that the following prerequisites are met:

- The crane is aligned in horizontal direction.
- The S-boom is assembled and aligned in horizontal direction.
- The counterweight is attached on the turntable according to the load chart and placed on the suspended ballast / ballast trailer.
- The LICCON overload protection has been set according to the data in the load chart.
- An auxiliary crane is available.

3.1 Attaching the W-assembly unit to the S-boom

3.1.1 Exceeding the LICCON overload protection for assembly

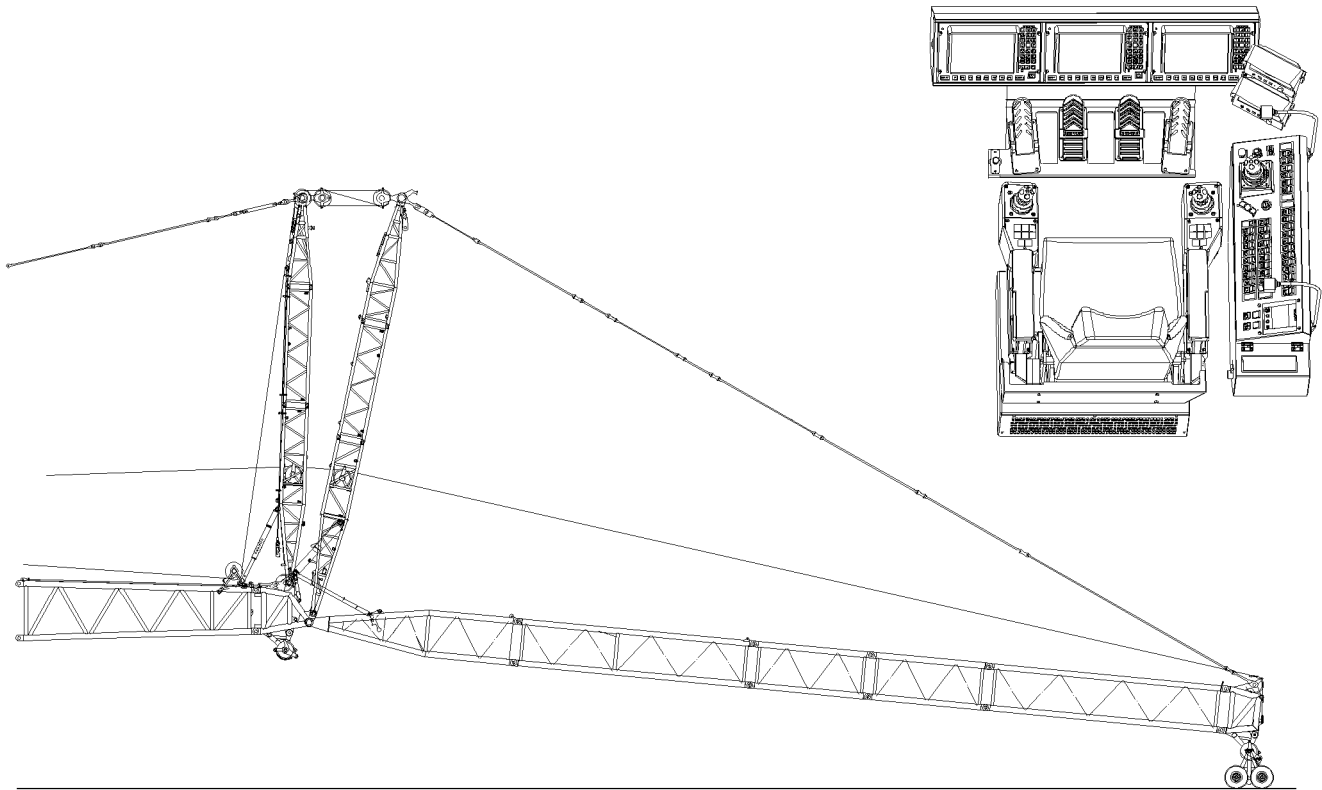


Fig. 121126



WARNING

Danger of accident due to function „Exceedance of shut off limits of the LICCON overload protection“! If the shut off limits of the LICCON overload protection are exceeded, there is no additional protection against crane overload.

Due to erroneous operation or deliberate misuse, the crane could collapse, the boom can break off or the crane can topple over.

Personnel can be severely injured or killed.

- ▶ The function „Exceeding the shut off limits of the LICCON overload protection“ is only permissible in emergencies and for assembly purposes.
- ▶ The function „Exceeding the shut off limits of the LICCON overload protection“ may only be actuated by persons who know the effects of their actions regarding the function „Exceeding the shut off limits of the LICCON overload protection“.
- ▶ The function „Exceeding the shut off limits of the LICCON overload protection“ requires the presence of an authorized person and must be performed with utmost caution.
- ▶ Crane operation with activated function „Exceeding the shut off limits of the LICCON overload protection“ is prohibited.

- ▶ Exceeding the shut off limits of the LICCON overload protection: Engage assembly operation.

Result:

- The shut off limits of the LICCON overload protection are exceeded.
- The assembly icon appears on the LICCON monitor.



Note

- ▶ See Crane operating instructions, chapter 4.02.

3.1.2 Preparing the WA-frames for assembly

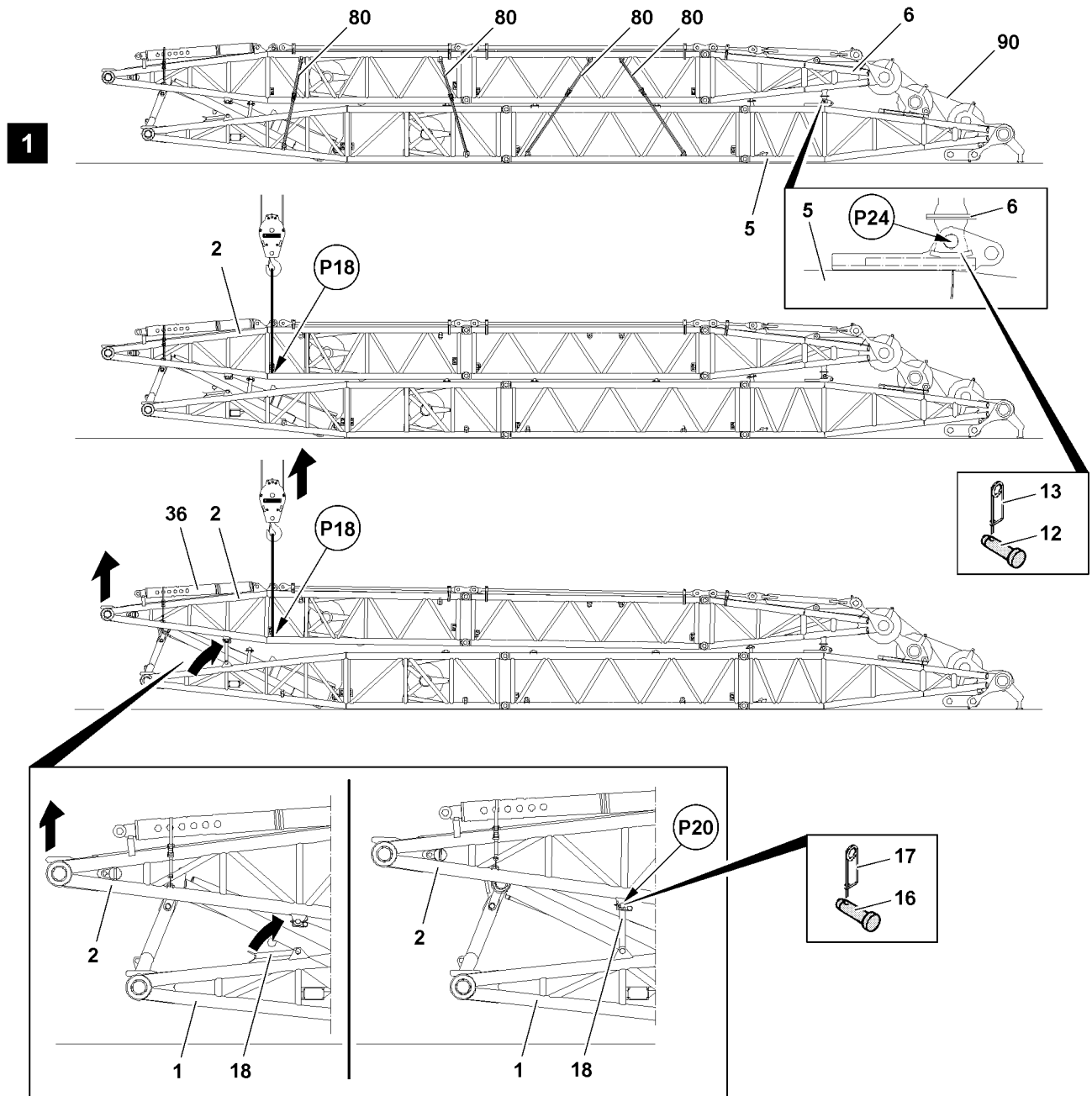


Fig.121135: Remove rigging / tension belts // lift WA-frame 2 // set up support 18



Note

- ▶ The following description is an example and will be described by means of the „long“ WA-frames.
- ▶ The procedure for the short WA-frames is identical and is not separately described.

Make sure that the following prerequisites are met:

- The WA-frame 1 and WA-frame 2 are pinned on the end sections at point **P24** with pin **12** and secured with spring retainer **13**.
- WA-frame 1 and WA-frame 2 are tensioned together with rigging / tension belts **80**.
- The reeving rope **75** is reeved between the WA-frame 1 and WA-frame 2 end sections.
- The relapse supports **36** are rigged on the WA-frame 2.
- ▶ Fasten the auxiliary crane on the studs of the WA-frame 2 pivot section **2** at point **P18**.

When the WA-frame 2 pivot section **2** is fastened on the auxiliary crane:

- ▶ Release and remove the rigging / tension belts **80**.
- ▶ Carefully lift the WA-frame 2 pivot section **2** with the auxiliary crane and erect the support **18** on both sides.

When the support **18** is in assembly position:

- ▶ Insert the pins **16** on both sides and secure with spring retainers **17**.

3.1.3 Pinning the WA-frames on the W-connector head

Make sure that the following prerequisites are met:

- The S-boom is properly assembled and secured.
- The S-boom is properly placed on the ground.
- The hoist rope / the hoist ropes are pulled forward to the W-connector head.
- The W-control rope (winch 5) is pulled forward to the W-connector head.



Note

- ▶ The total weight of the long WA-frames (T1 + T2 + T3) is approx. 33 t.
- ▶ The total weight of the short WA-frames (T1 + T3) is approx. 28 t.
- ▶ Dimensions and weights, see Crane operating instructions, chapter 1.03.

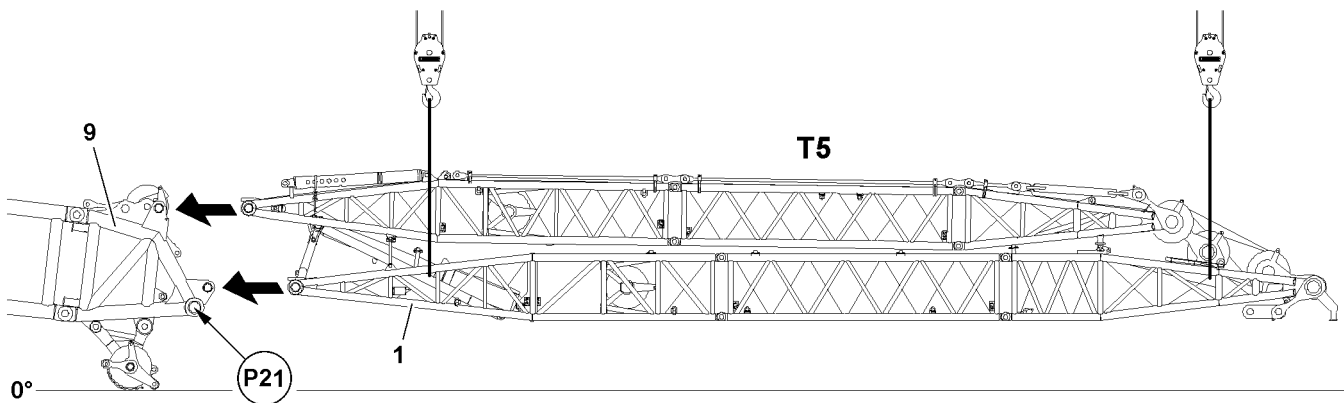


Fig.121237: Swing the transport unit **T5** in with the auxiliary cranes for assembly on the W-connector head

- ▶ Fasten the auxiliary cranes on the specified studs of the transport unit **T5**, see section „Fastening points“.
- ▶ Carefully lift the transport unit **T5** with the auxiliary crane off the ground.



WARNING

Crushing danger due to transport unit **T5**!

When swinging the transport unit **T5** in to the pin points on the W-connector head **9** there is a crushing danger.

Personnel can be severely injured or killed.

- ▶ Make sure, when swinging the transport unit **T5** in to the pin points on the W-connector head **9** that no personnel is between the transport unit **T5** and the W-connector head **9**.
- ▶ Swing the transport unit **T5** in with the auxiliary cranes to the pin points until the bores of the WA-frame 1 pivot section **1** and the W-connector head **9** align at point **P21**.

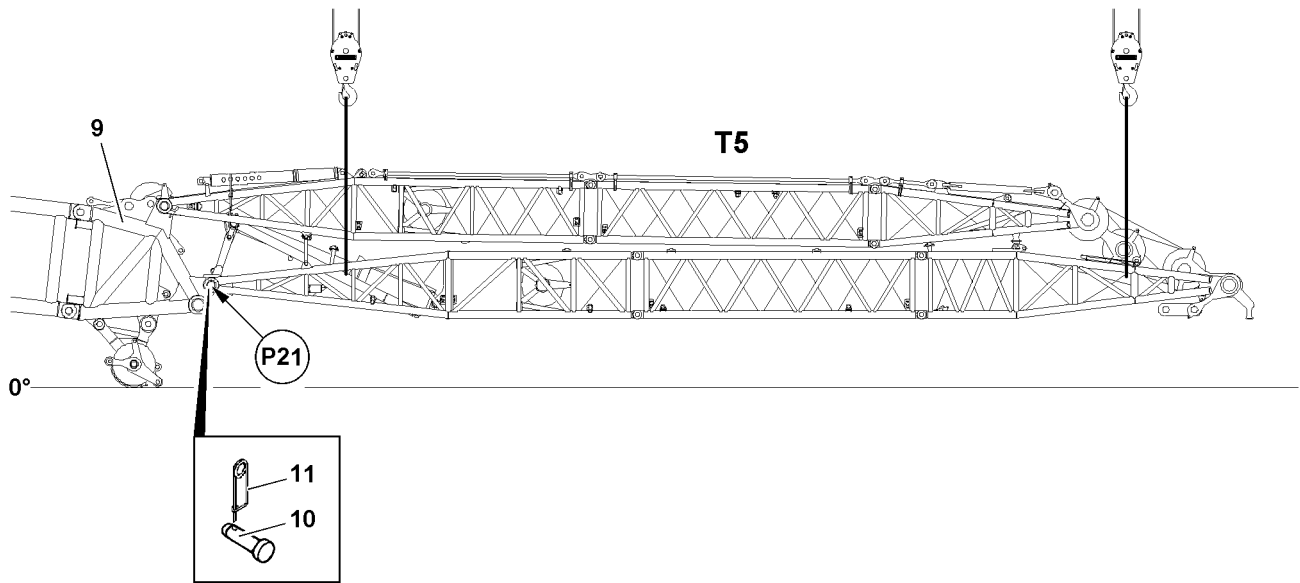


Fig.121238: Pin the transport unit **T5** at point **P21** on the W-connector head.

Pin the transport unit **T5** on the W-connector head **9** at point **P21** on both sides with the pin pulling device, see Crane operating instructions, chapter 5.30.



WARNING

Crushing danger due to oscillating load!

If any persons are for assembly purposes between two of the components to be pinned, then the components can start to oscillate due to slight crane movements.

Personnel can be crushed between the components and be severely injured or killed.

- ▶ Make sure that no crane movements are carried out as long as personnel is between two unpinned components.
- ▶ Make sure that no personnel is in the danger zone between the components during the pinning procedure of the components with the pin pulling device.

When the transport unit **T5** is positioned properly over the centering aids on the W-connector head **9**:

- ▶ Insert the pin pulling device in operating position.
- ▶ Insert the pins **10** on both sides with the pin pulling device, see Crane operating instructions, chapter 5.30.

When the pins **10** are properly pinned at point **P21**:

- ▶ Secure the pins **10** on both sides with spring retainers **11**.

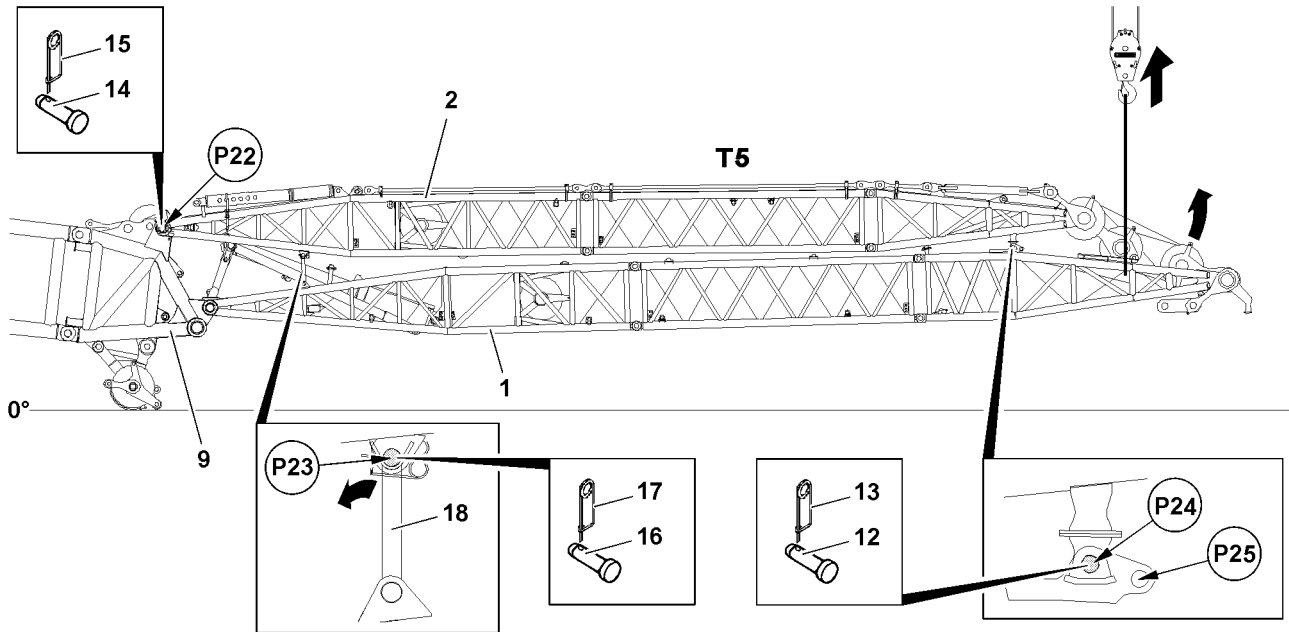


Fig.121239: Lift the transport unit **T5** and pin the WA-frame 2 pivot section **2** at point **P22** on the W-connector head.

Pin the transport unit **T5** on the W-connector head **9** at point **P22** on both sides with the pin pulling device, see Crane operating instructions, chapter 5.30.

When the transport unit **T5** is pinned and secured at point **P21**:

- ▶ Lift the transport unit **T5** with the auxiliary crane until the bores of the WA-frame 2 pivot section **2** and the W-connector head **9** align at point **P22**.

When the transport unit **T5** is positioned properly on the W-connector head **9**:

- ▶ Insert the pin pulling device in operating position.
- ▶ Insert the pins **14** on both sides with the pin pulling device, see Crane operating instructions, chapter 5.30.

When the pins **14** are properly pinned at point **P22**:

- ▶ Secure the pins **14** on both sides with spring retainers **15**.

Place the support **18** down in transport position.

When the transport unit **T5** is properly pinned at point **P22**:

- ▶ Release pins **16** on both sides at point **P23** and unpin.

When the pins **16** are unpinned on both sides:

- ▶ Place the support **18** in direction of the arrow on the WA-frame 1 pivot section **1**.
- ▶ Insert the pin **16** on both sides at point **P23** and secure with spring retainer **17**.

Unpin the transport retainer on the end sections of the WA-frames at point **P24**.

- ▶ Unpin the pin **12** on both sides at point **P24** and insert in park position at point **P25** and secure with spring retainer **13**.

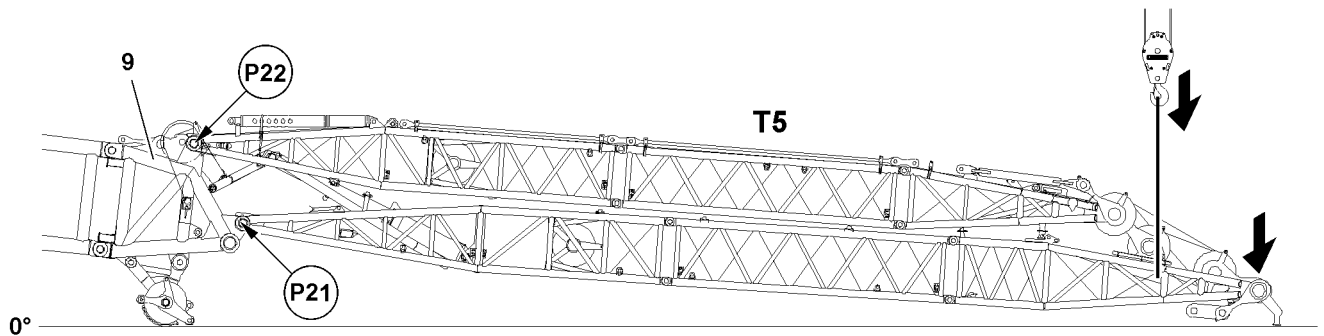


Fig.121241: Place the transport unit **T5** down on the ground.

When the transport retainer is removed between the WA-frame 1 and WA-frame 2:

- ▶ Place the transport unit **T5** on the ground with the auxiliary crane.

3.1.4 Installing the retaining frame on the W-connector head

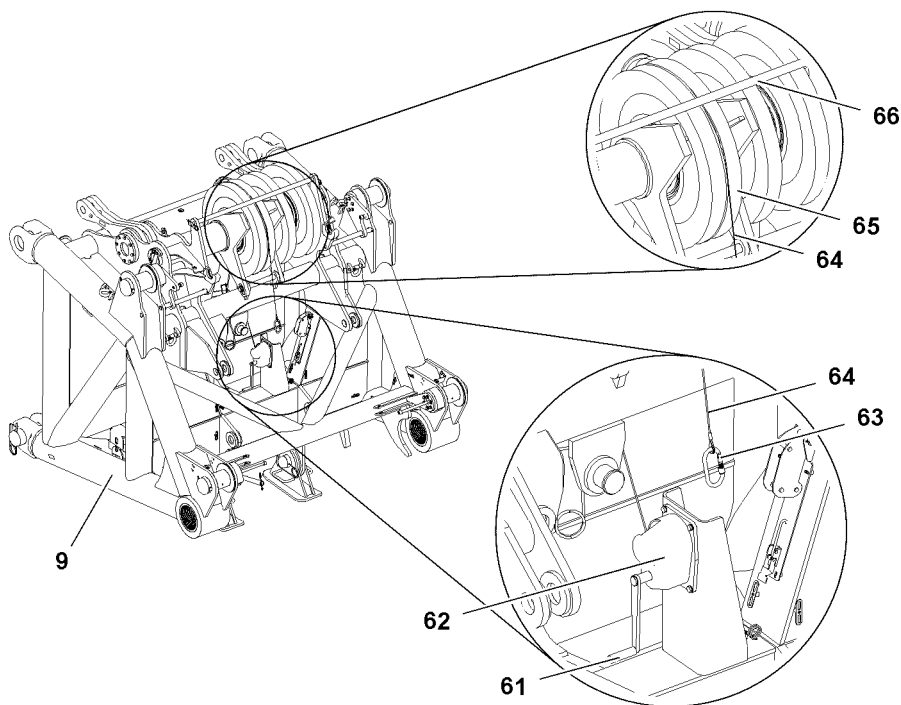


Fig.114713: Install the retaining frame on the W-connector head - spool the wire rope of the manual winch out

Make sure that the following prerequisites are met:

- The WA-frames are properly pinned and secured on the W-connector head **9**.
- The transport unit **T5** is placed on the ground.
- ▶ Install the hand crank **61** on the manual winch **62**.
- ▶ Remove the snap hook **63** on the eye of the wire rope **64**.
- ▶ Spool the wire rope **64** out and guide it from the rear over the rope pulley **65** to the front.
- ▶ Guide the wire rope **64** between the rope pulley **65** and retaining pipe **66**.

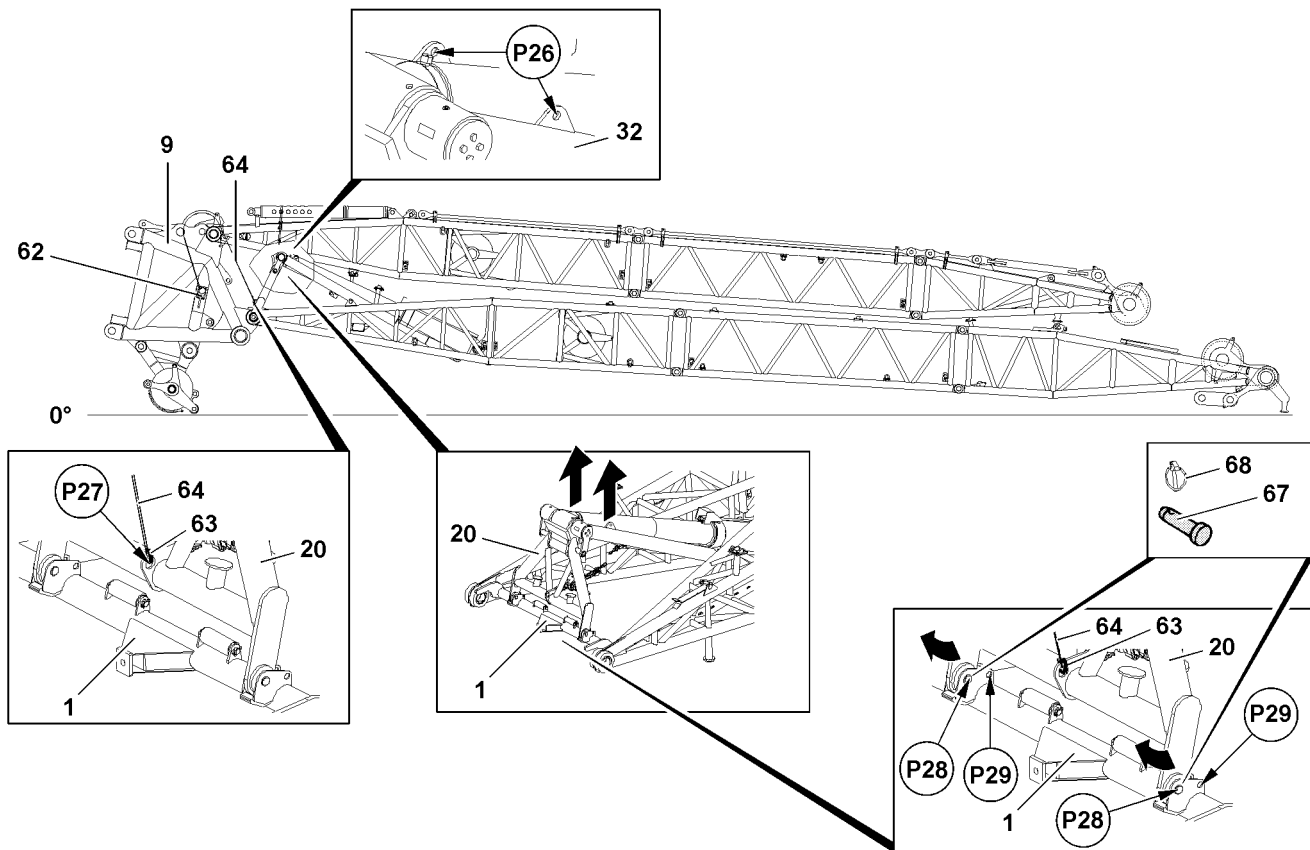


Fig.121242: Installing the retaining frame on the W-connector head

- ▶ Spool the wire rope **64** out with the manual winch **62** until point **P27**.
- ▶ Fasten the wire rope **64** with the snap hook **63** on point **P27** on the retaining frame **20**.
- ▶ Secure the snap hook **63** with *screw retainer*: Screw the *screw retainer* closed.
- ▶ Tighten wire rope **64** slightly with the manual winch **62**.
- ▶ Fasten the auxiliary crane on relapse support **32**: Attach the fastening equipment, using shackles, on both sides on the brackets (point **P26**) of the relapse support **32**.



WARNING

Fastening equipment **not** tensioned!

If the fastening equipment is not pretensioned, then the relapse support **32** can fall down when unpinning the pins **67** on point **P28**.

Limbs can be crushed or severed.

Personnel can be severely injured or killed.

- ▶ Make sure that the fastening equipment is slightly tensioned at point **P26**.

When the auxiliary crane is properly fastened on points **P26**:

- ▶ Carefully bring the fastening equipment to tension.
- ▶ Unpin the retaining frame **20** on WA-frame 1 pivot section **1**: Release pins **67** on both sides on points **P28** and unpin.
- ▶ Insert the pins **67** in park position at point **P29** and secure with locking pins **68**.

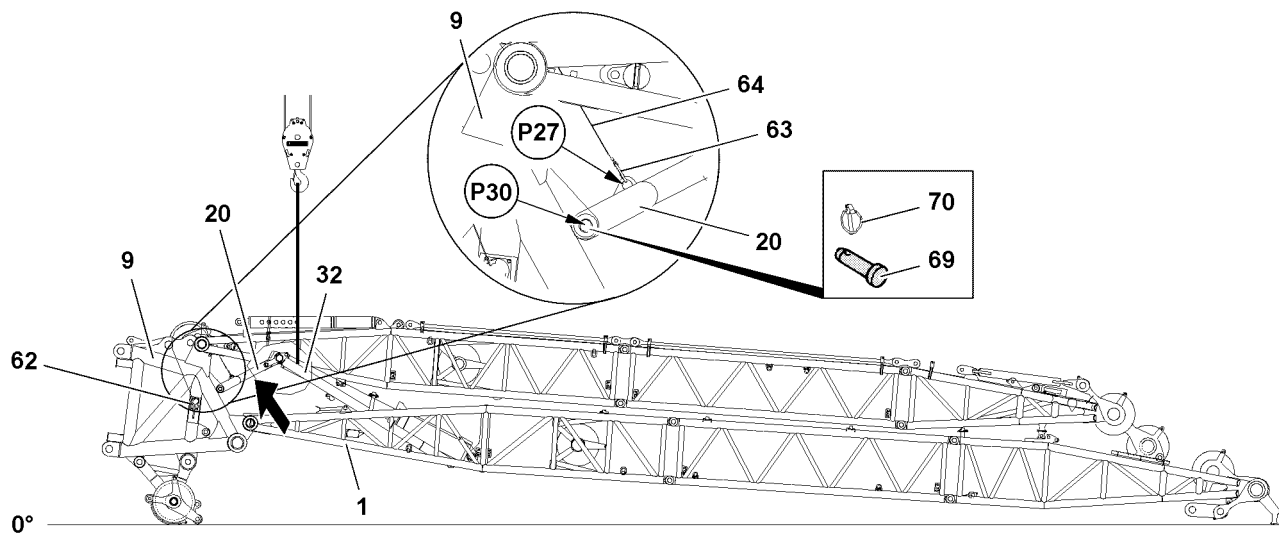


Fig.121243: Install the retaining frame on the W-connector head - pin the retaining frame with the W-connector head

- ▶ Pull the retaining frame **20** up with the manual winch **62** until the pin points align at point **P30**.

Problem remedy

The pin points on point **P30** do not align.

- ▶ With the auxiliary crane, carefully lift or lower the relapse support **32** until the pin points on point **P30** align.
- ▶ Pin the retaining frame **20** with the W-connector head **9**: Insert the pins **69** on both sides at point **P30** and secure with locking pins **70**.
- ▶ Remove the snap hook **63** on the retaining frame **20**: Screw on the screw retainer and remove the snap hook **63** on point **P27**.

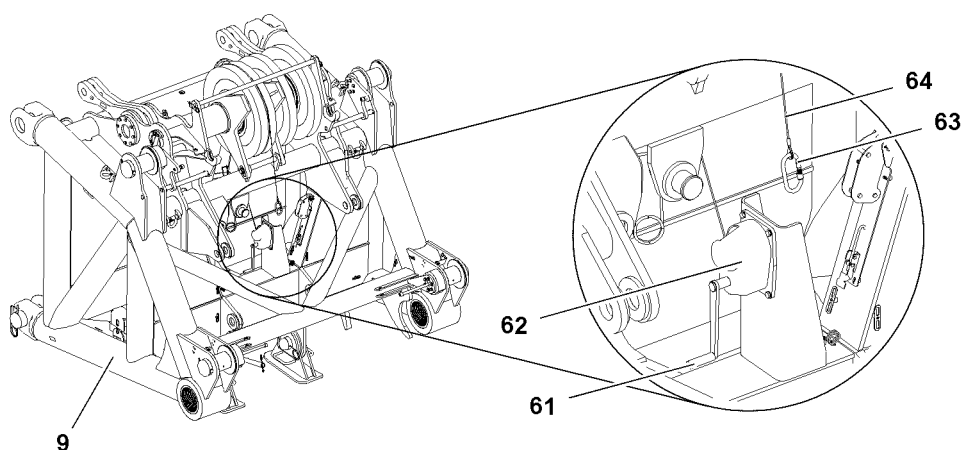


Fig.114714: Install the retaining frame on the W-connector head - spool the wire rope up

- ▶ Spool the wire rope **64** up completely.

**WARNING**

The hand crank **61** is in the manual winch **62!**

If the hand crank **61** is not removed, then it can fall down during crane operation and severely injure or kill personnel.

- ▶ Make sure that the hand crank **61** is removed.
-
- ▶ Install the snap hook **63** on the eye of the wire rope **64**.
 - ▶ Remove the fastening equipment from the relapse support **32**.

3.1.5 Placing the relapse support on the ground

Make sure that the following prerequisites are met:

- The WA-frames are properly pinned on the W-connector head **9**.
- The retaining frame **20** is properly pinned on the W-connector head **9**.

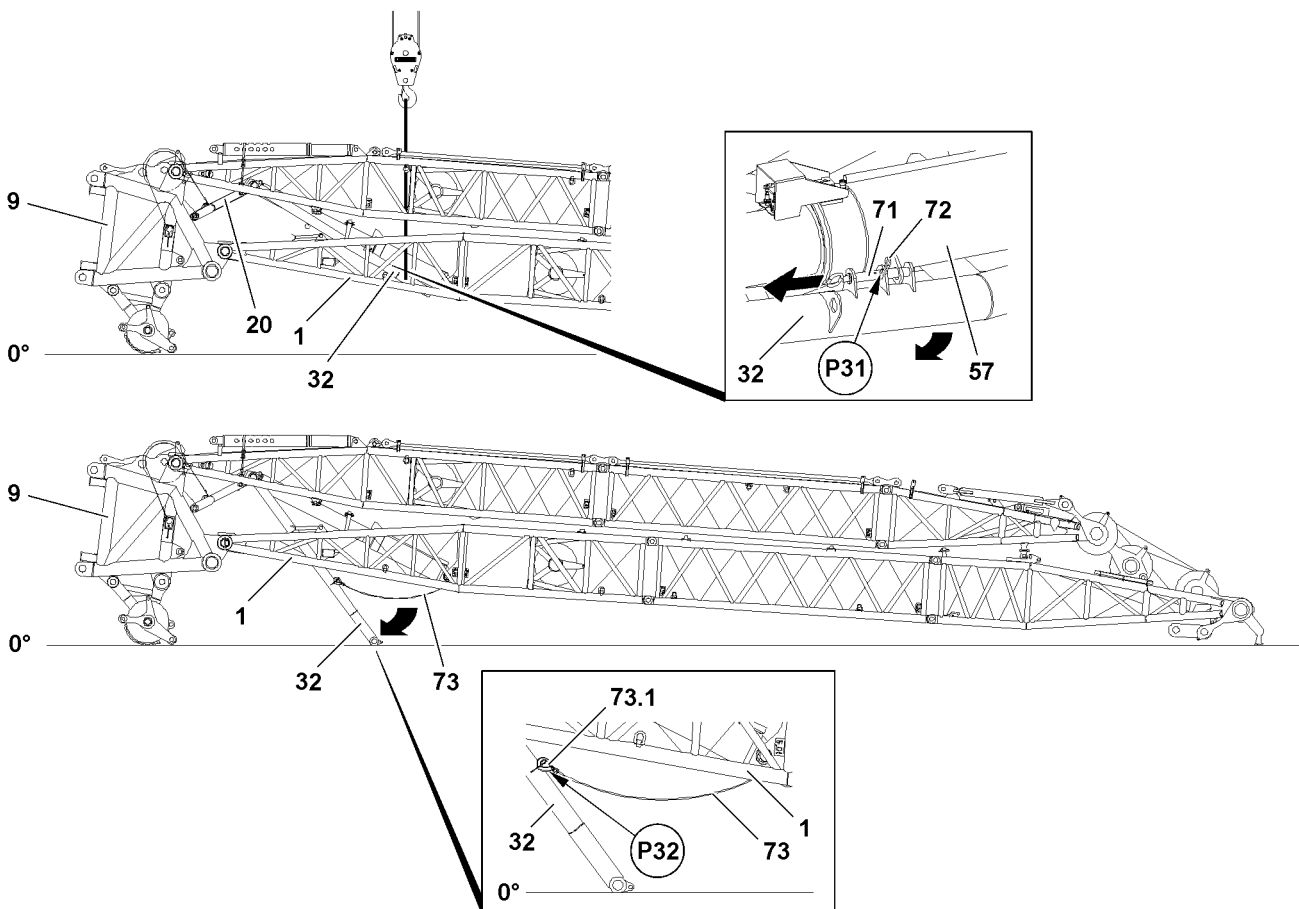


Fig.121244: Unpin the relapse support **32** on the relapse cylinder **57** and place it on the ground with the auxiliary crane.

- ▶ Fasten the auxiliary crane properly on relapse support **32**.

**WARNING**

Unsecured relapse support **32!**

If the mechanical relapse support **32** is not properly held by the auxiliary crane then the mechanical relapse support **32** can fall down when unpinning it.

Personnel can be severely injured or killed.

- ▶ Make sure that the relapse support **32** is safely held by the auxiliary crane before unpinning.
- ▶ Make sure that there are no persons within the danger zone.

When the relapse support **32** is safely held by the auxiliary crane:

- ▶ Release the transport retainer: Release the pin **71** at point **P31** and unpin.

Result:

- The relapse support **32** is unpinned in transport position.
- ▶ Pin **71** at point **P31** in position „unpinned“ secure with spring retainer **72**.
- ▶ Carefully lower the relapse support **32** to the ground with the auxiliary crane.

When the relapse support **32** is laying on the ground:

- ▶ Remove the auxiliary crane.

When the auxiliary crane is removed on the relapse support **32**:

- ▶ Hang the retaining rope **73** on the relapse support **32** at point **P32** with snap hook **73.1**.

3.2 Reeving the W-control rope on the WA-frames

Make sure that the following prerequisites are met:

- The retaining frame **20** is pinned and secured on the W-connector head **9**.
- The reeving rope **75** is reeved on the WA-frames.
- The change over pulley **104** on the S-adapter **103** is located in operating position.

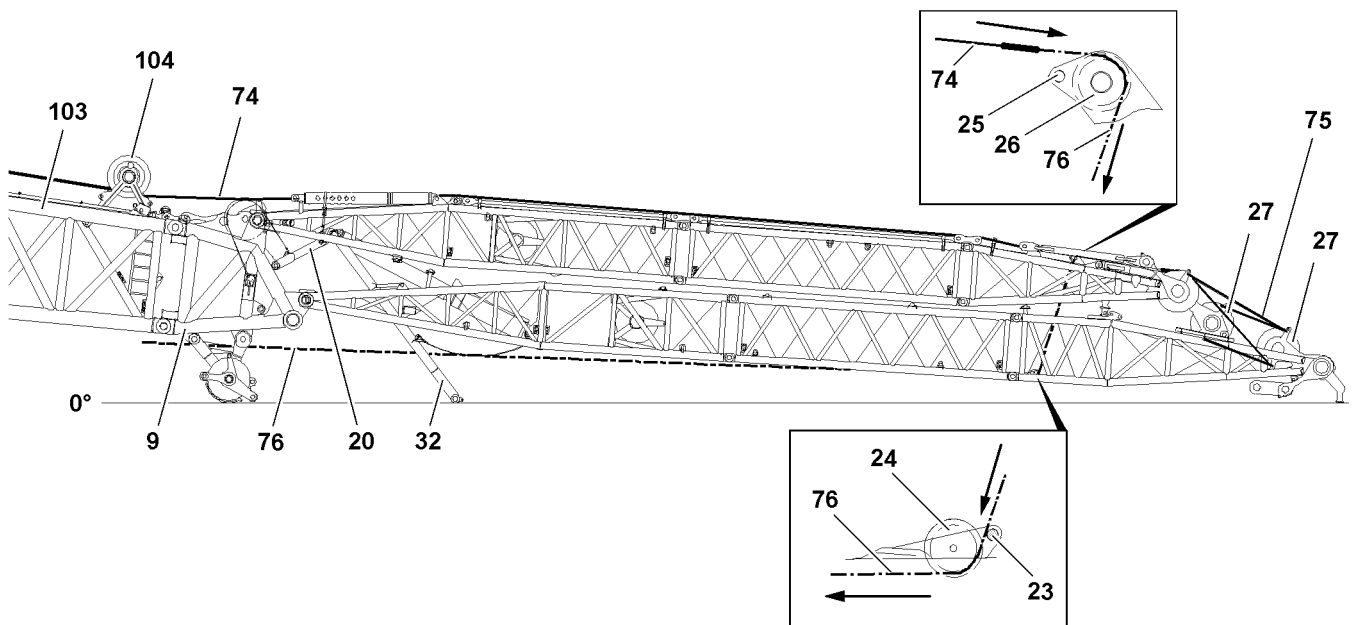


Fig.121245: Reeving the W-control rope **74** on the WA-frames

NOTICE

Slack rope formation!

The W-control rope **74** can be damaged if any ropes are slack.

- ▶ Make sure that the W-control rope **74** is always slightly tensioned when spooling it out.



Note

- ▶ Reeving the W-assembly unit, see Reeving plan.

- ▶ Release and unpin the rope retaining pin **23**.
- ▶ Place auxiliary rope **76** over the change over pulley **24** and over the change over pulley **26**.
- ▶ Insert and secure the rope retaining pin **23**.
- ▶ Connect the W-control rope **74** of winch 5 with the auxiliary rope **76**.
- ▶ Spool the auxiliary rope **76** up and spool the W-control rope **74** out until the W-control rope **74** has arrived on the change over pulley **26**.

- ▶ Release the connection from the auxiliary rope **76** and the W-control rope **74**.
- ▶ Release and unpin the rope retaining pin **25**.
- ▶ Place the auxiliary rope **76** from the left side over the change over pulley **26**.
- ▶ Insert and secure the rope retaining pin **25**.
- ▶ Connect the W-control rope **74** with the reeving rope **75**.
- ▶ Connect the auxiliary rope **76** with the reeving rope **75**.
- ▶ Release the rope retaining pipes on the pulley heads of the WA-frame end sections and unpin.
- ▶ Lift the W-pulley blocks **27** with the auxiliary crane.

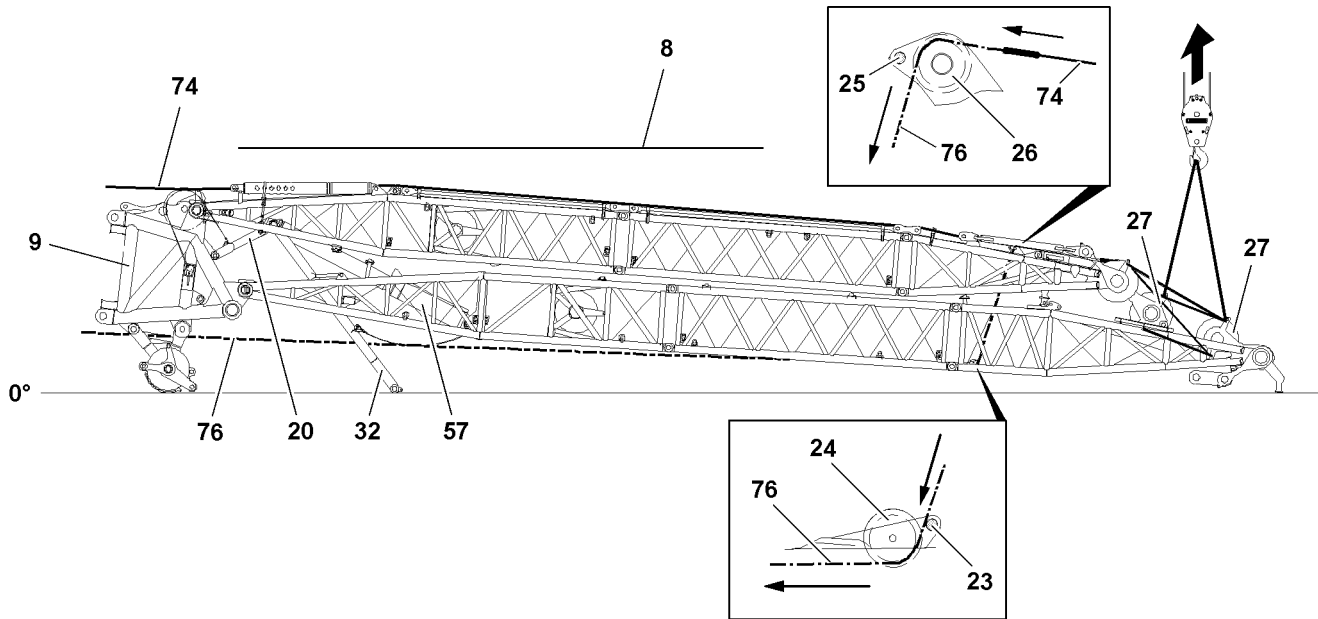


Fig.121351: Reeving the W-control rope on the WA-frames

- ▶ Spool the auxiliary rope **76** up and spool the W-control rope **74** out until the W-control rope **74** is completely reeved.

When the W-control rope **74** is completely reeved:

- ▶ Pin the rope retaining pipes on the W-pulley blocks **27** and secure.
- ▶ Release the auxiliary rope **76** and the W-control rope **74** from the reeving rope.
- ▶ Attach the W-control rope **74** on the WA-frame 2 with the lock.
- ▶ Spool up the auxiliary rope **76** and store the reeving rope **75**.

NOTICE

Damage to relapse cylinder!

Before erecting the WA-frame 2 **8**, the electrical connection for the limit switches of the relapse cylinder **57** must be established.

If this is **not** the case, the WA-frame 2 **8** can be pulled back over the mechanical stop of the relapse cylinder **57**, which may damage the relapse cylinder **57**.

- ▶ Establish the electrical connection for the limit switches of the relapse cylinder **57**.
- ▶ Establish the electrical connection for the limit switches of the relapse cylinder **57**.
- ▶ Check the function of the limit switches: Cover the limit switch initiators of the relapse cylinder **57** individually with a metal plate.

Result:

- The icon appears on the LICCON monitor.
- The **spool up function** of the W-control winch turns off.

3.3 Installing the assembly rope(s) on the WA-frame 2

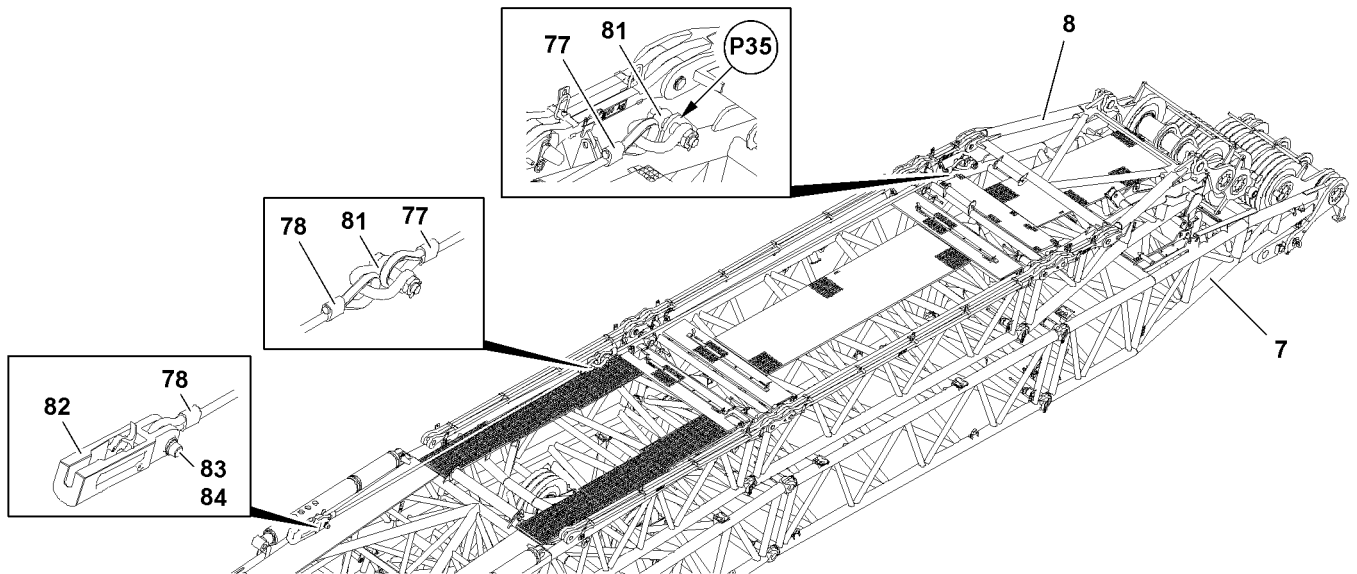


Fig.121353: Install the assembly rope(s) for erection of the WA-frame 2 8 (example: long WA-frames)



Note

- ▶ For erection of the short WA-frames: Use assembly rope 77.
- ▶ For erection of the long WA-frames: Extend the assembly rope 77 with the assembly rope 78.

Make sure that the following prerequisite is met:

- The WA-frame 2 8 is laying on WA-frame 1 7.

Install the assembly rope for short WA-frames:

- ▶ Fasten the assembly rope 77 with shackle 81 on the fixed point P35.
- ▶ Fasten the lock 82 on the assembly rope 77: Use pin 83 and locking pin 84.

Result:

- The assembly rope 77 is completely installed on the WA-frame 2.

Install the assembly rope for long WA-frames:

- ▶ Fasten the assembly rope 77 with shackle 81 on the fixed point P35.
- ▶ Fasten the assembly rope 78 with shackle 81 on the assembly rope 77.
- ▶ Fasten the lock 82 on the assembly rope 78: Use pin 83 and locking pin 84.

Result:

- The assembly ropes (assembly rope 77 and assembly rope 78) are completely installed on the WA-frame 2.

3.4 Pinning the WA-frame 2 guy rods

Make sure that the following prerequisites are met:

- The WA-frame 2 8 is laying on WA-frame 1 7.
- When using short WA-frames: The assembly rope 77 is properly installed on the WA-frame 2.
- When using long WA-frames: The assembly ropes (assembly rope 77 and assembly rope 78) are completely installed on the WA-frame 2.
- The assembly rope is released on the WA-frame 2 8.
- The hoist rope 79 is hung and fastened into the lock 82 of the assembly rope.
- The transport retainers of the WA-frame 2 guy rods are released and unpinned.
- The auxiliary crane is fastened on the studs 80 at point P33 of WA-frame 2 8.

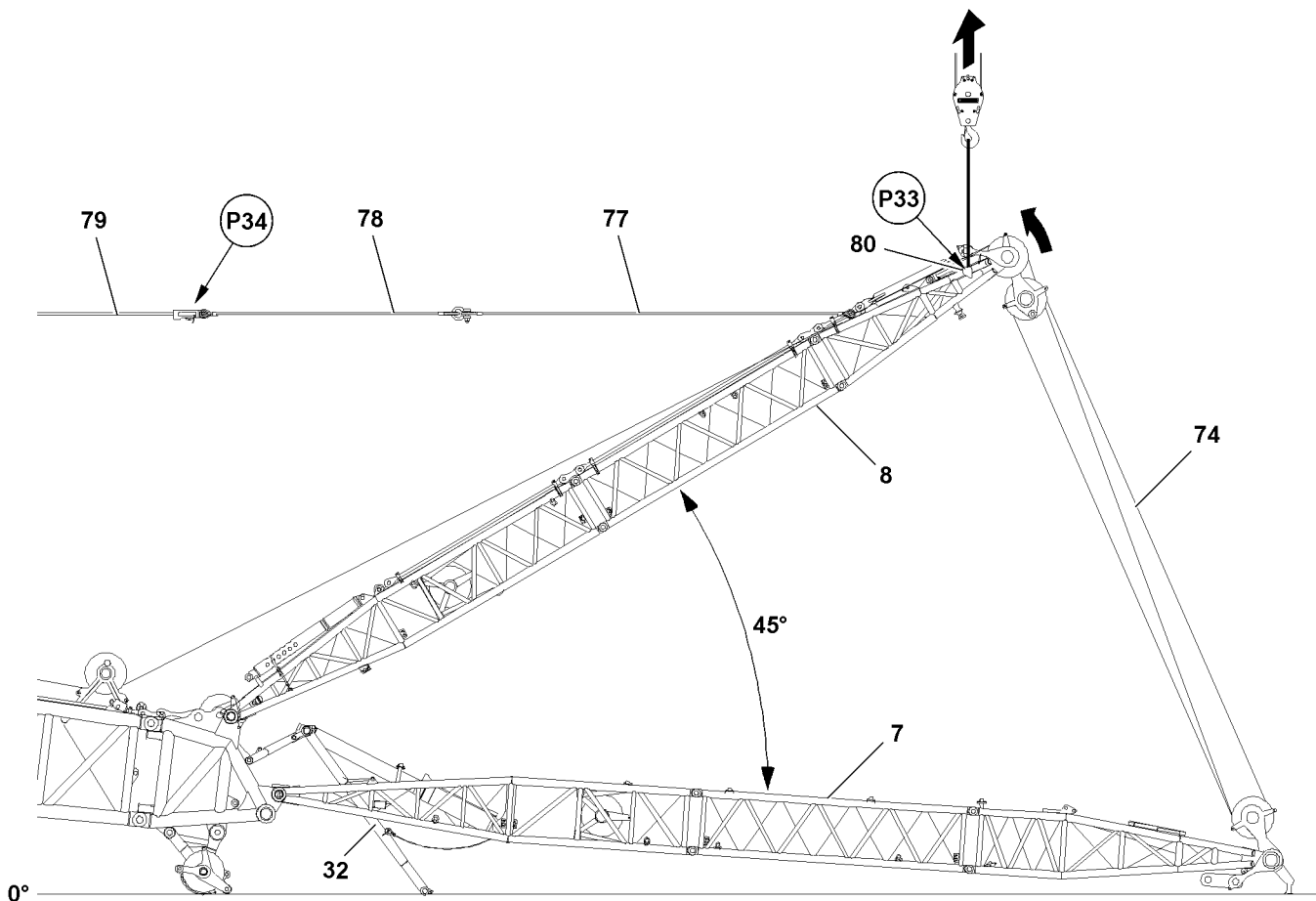


Fig.121352: Erection of WA-frame 2

NOTICE

Slack rope formation!

The W-control rope **74** can be damaged if any ropes are slack.

► When lifting the WA-frame **2 8**, lift the WA-frame **1 7** slightly off the ground.

► Lift the WA-frame **2 8** with the auxiliary crane about 45° and simultaneously spool out the W-control rope **74**.

When the WA-frame **2 8** is at approx. 45° :

► Tension the hoist rope **79**.

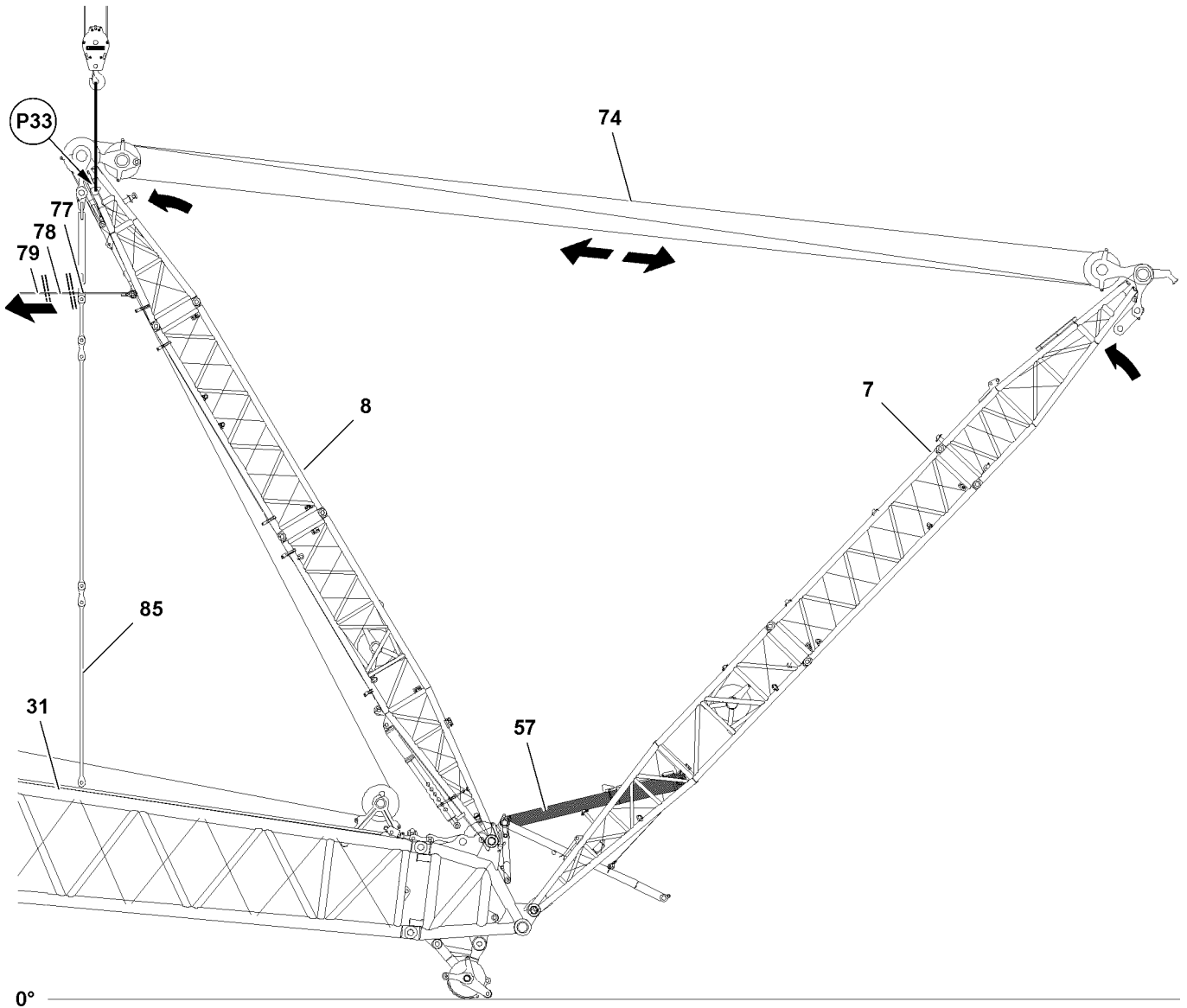


Fig.121354: Pinning the WA-frame 2 guy rods



Note

- ▶ For further erection of the WA-frame 2 8 make sure that the WA-frame retain the 45° angle to each other.
- ▶ Spool the W-control rope 74 slightly up or out as needed.

When the hoist rope 79 is tensioned:

- ▶ Spool the hoist rope 79 up and pull the WA-frame 2 8 up until the relapse cylinder 57 on the WA-frame 1 7 builds up pressure.

NOTICE

Damage of hoist rope and / or of WA-frame 2!

If the W-control rope 74 is not spooled out simultaneously at further erection of WA-frame 2 8, the hoist rope 79 can be overloaded and the WA-frame 2 8 can be significantly damaged.

- ▶ Make sure, at further erection of WA-frame 2 8 with the hoist rope 79, the W-control rope 74 is spooled out simultaneously to hold the WA-frame 1 7 in position.
- ▶ Leave the auxiliary crane fastened on the WA-frame 2 to secure the WA-frame 2 8.

When the relapse cylinder has built up sufficient pressure:

- ▶ Pull the WA-frame 2 **8** with the hoist rope backward until the WA-frame 2 guy rods **85** can be pinned with the WA-frame 2 guy rods on the S-system.



Note

- ▶ The WA-frame 2 guy rods **85** are attached on the WA-frame 2 **8**.
 - ▶ The WA-frame 2 guy rods **31** are attached on the S-boom.
-
- ▶ Pin the WA-frame 2 guy rods **85** properly with the WA-frame 2 guy rods on the S-boom and secure.

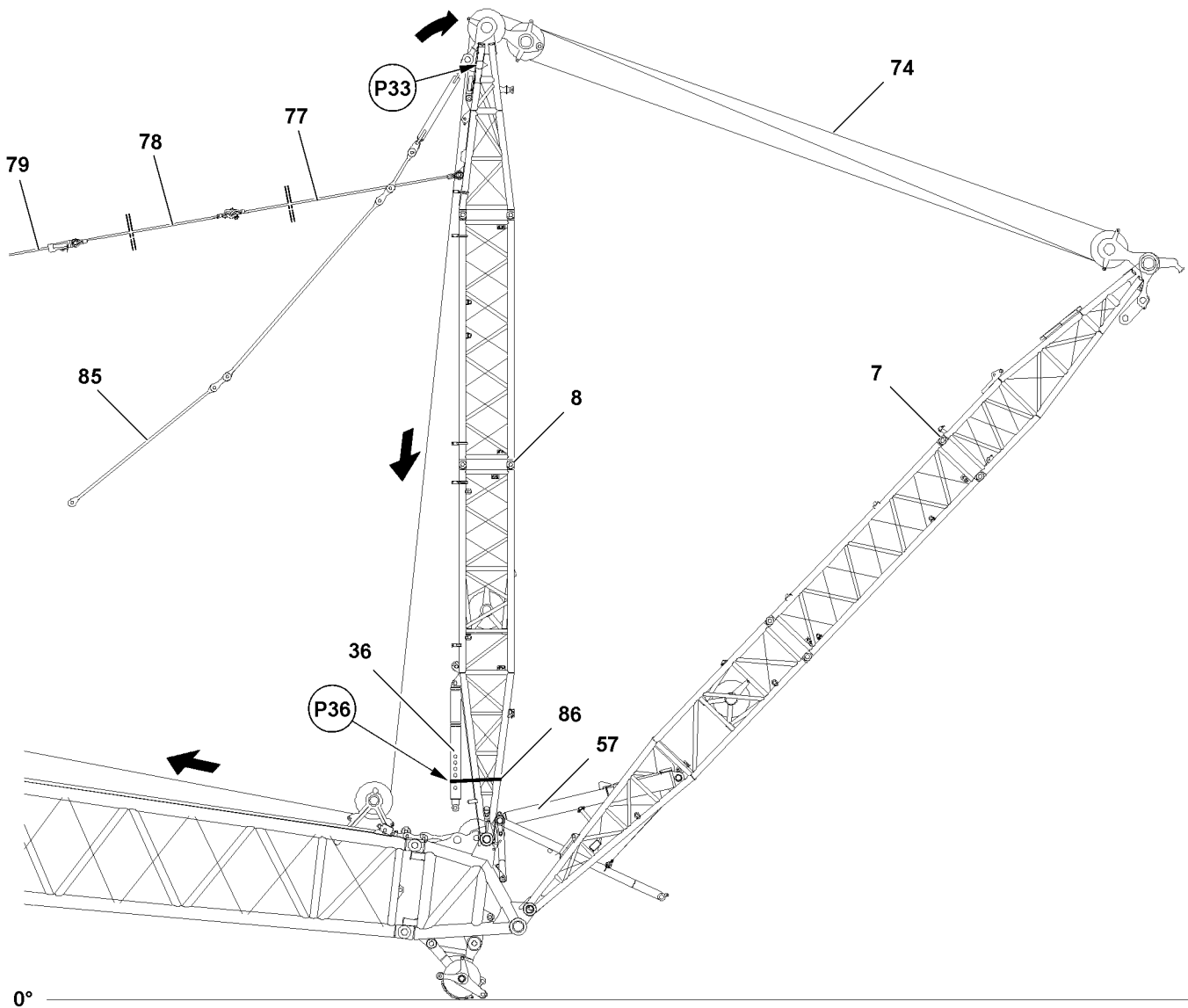


Fig.121355: Erect the WA-frame 2 **8** until vertical



Note

- ▶ Make sure that the WA-frame 1 **7** remains in position when erecting the WA-frame 2 **8**.
- ▶ Make sure that sufficient pressure is available in the relapse cylinder **57**.

**WARNING**

Uncontrolled swinging of the relapse supports **36**!

If the tension belts **86** on the relapse supports **36** are removed without the WA-frame 2 **8** in vertical position, then the relapse supports **36** can swing to the side uncontrolled.

Personnel can be severely injured or killed.

- ▶ Set the WA-frame 2 **8** vertically before removing the tension belts **86**.

When the WA-frame 2 guy rods **85** are properly pinned and secured:

- ▶ Erect the WA-frame 2 **8** with the W-control (W-control rope **74**) until vertical.
- ▶ Remove the auxiliary crane on the WA-frame 2 **8** at point **P33**.
- ▶ Remove the tension belt **86** on the relapse supports **36** at point **P36**.

3.5 Pinning the relapse supports on the S-boom and pinning in operating position

To pin the WA-frame 2 relapse supports **36** on the S-adapter **103** the WA-frame 2 **8** must be pulled back with the hoist rope **79** until the WA-frame 2 relapse supports **36** are positioned over the pin points **P37** on the S-adapter **103**.

**WARNING**

Oscillating relapse supports!

When pulling the WA-frame 2 **8** back, the WA-frame 2 relapse supports **36** can start to swing back and forth.

Personnel can be severely injured or killed.

- ▶ Make sure that no personnel is within the danger zone when pulling the WA-frame 2 **8** back.
- ▶ Make sure that the WA-frame 1 **7** is held in „up“ position.

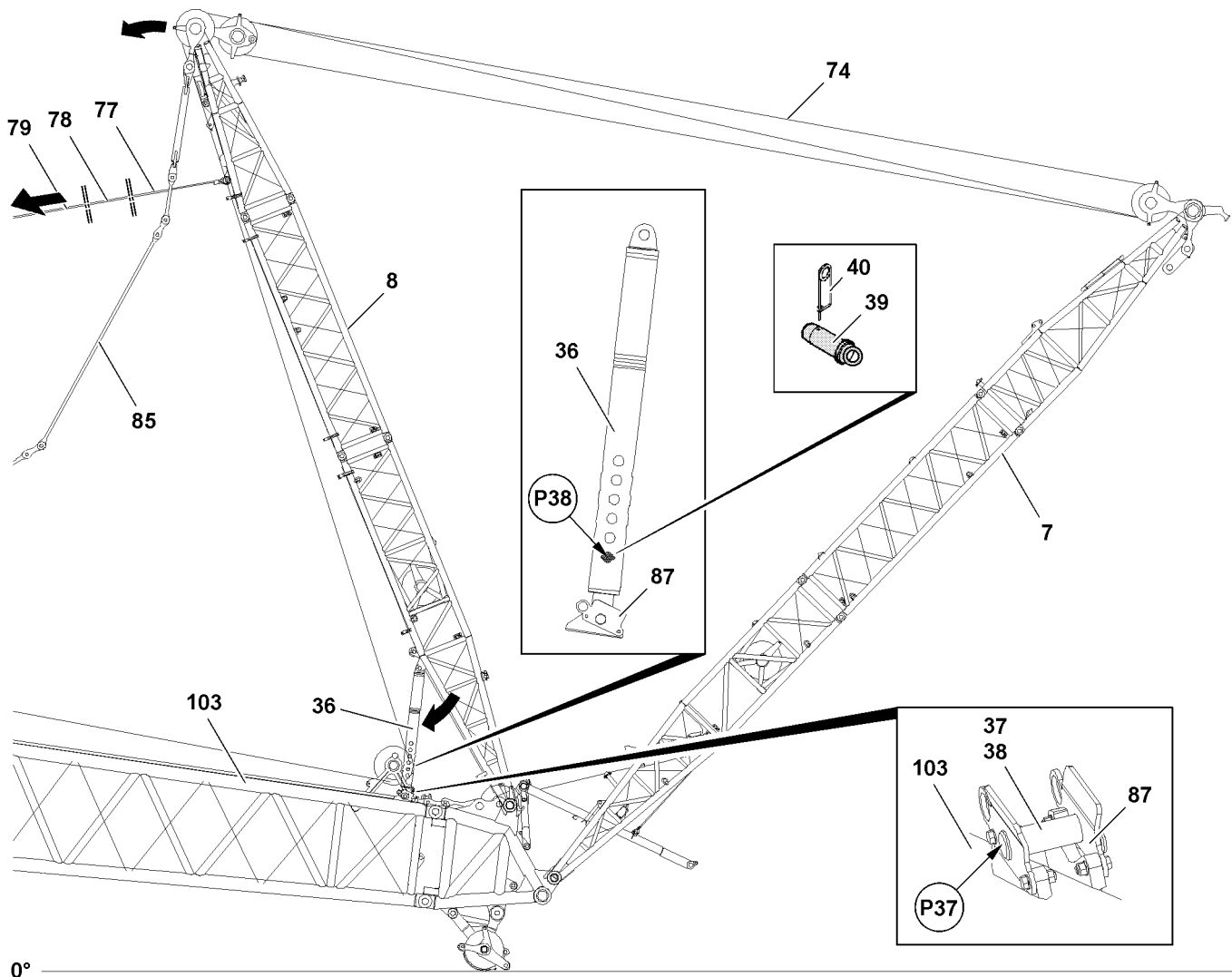


Fig.121356: Pin the WA-frame 2 relapse supports on the S-adapter

- ▶ Pull the WA-frame 2 **8** back (approx. 120°): Spool the hoist rope **79** up and simultaneously spool the W-control rope **74** out until the relapse support **36** is standing vertically over the pin point **P37**.
- ▶ Pin the relapse support **36** on the S-adapter **103**: Insert the pin **37** on both sides at point **P37** and secure with spring retainer **38**.

Result:

- The relapse supports **36** are pinned on the S-adapter **103**.

NOTICE

Damage of WA-frame 2 **8!**

If the connecting pin **39** is not unpinned from the park position at point **P38** before erecting the WA-frame 2 **8**, WA-frame 2 **8** can be damaged during erection.

- ▶ Unpin the pin **39** only after the relapse supports **36** are pinned on both sides on the S-adapter **103** at point **P37**.
- ▶ Release the pin **39** on both sides and unpin from the park position at point **P38** on the relapse supports **36**.

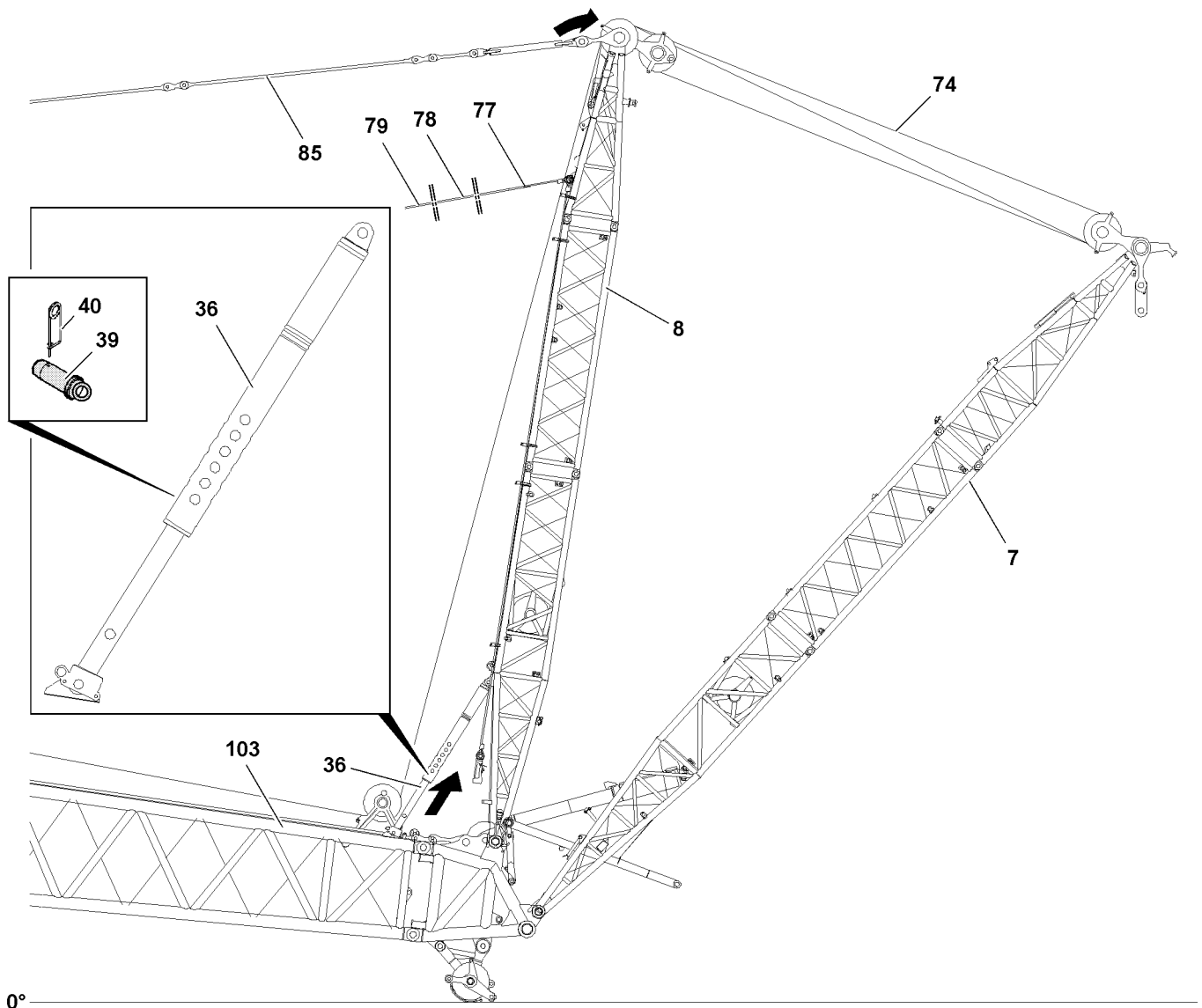


Fig.121710: WA-frame 2 **8** erected and pin WA-frame 2 relapse supports **36** in operating position

- ▶ Spool the hoist rope **79** out and simultaneously spool the W-control rope **74** up until the WA-frame 2 guy rods **85** are tensioned.
- ▶ Insert the pins **39** on both sides in maximum possible length on the next bore of the relapse support **36** and secure with spring retainer **40**.

When the relapse supports **36** are pinned on both sides in maximum possible length and secured with the pins **39**:

- ▶ Spool out the hoist rope **79** and remove from the lock of the assembly rope **78** or assembly rope **77**.

3.6 Assembling the W-guy rods

Make sure that the following prerequisites are met:

- The WA-frame 2 guy rods are properly pinned and secured.
- The WA-frame 2 is erected in operating position.
- The WA-frame 2 guy rods are tensioned.
- The WA-frame 2 relapse supports **36** are properly pinned and secured in maximum length.
- The electrical connections to the limit switches on the relapse cylinder are established.

- ▶ Attach the assembly rope on the WA-frame 2 **8** in transport position.

**Note**

- The assembly of the guy rods on the WA-frame 1 is described as an example on one rod side. The assembly of the guy rods on the other side is identical.

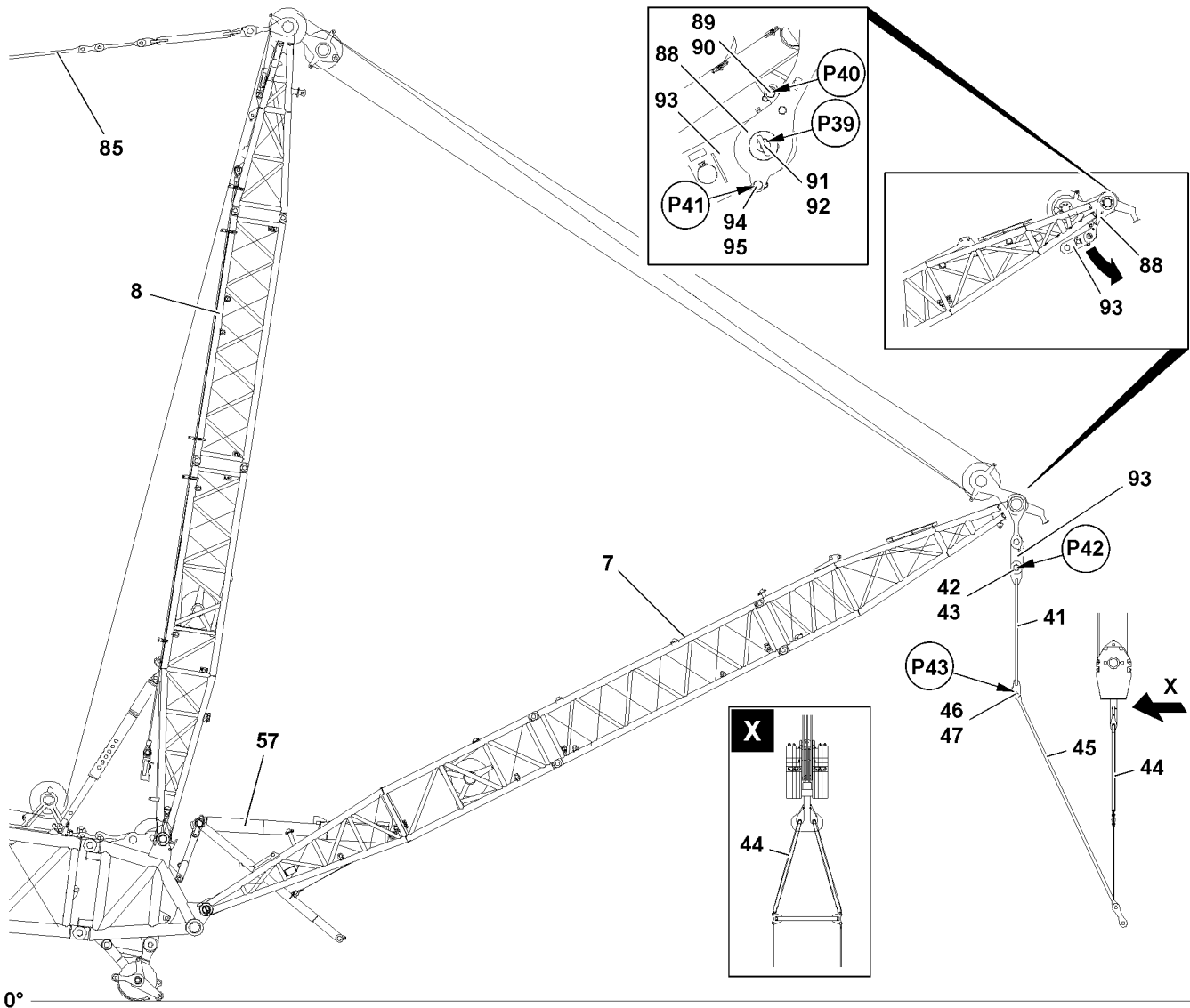


Fig.121357: Assemble the W-guy rods on the WA-frame 1 end section

Assemble the W-guy rods 41 with the auxiliary crane on the WA-frame 1 7.

**Note**

- For simpler assembly of the W-guy rods 41 the WA-frame 1 can be lowered to the horizontal.

NOTICE

Damage of relapse support!

When lowering the WA-frame 1 in the horizontal, the relapse support 32 can be damaged.

- Make sure that the ground in the area of WA-frame 1 and the relapse support 32 is level and free of objects.
- If necessary, place a low-friction base under the relapse support 32.

- Fasten the pull test bracket 93 on the eyebolt 91 at point P39 on the auxiliary crane.

When the auxiliary crane is properly fastened on the eyebolt 91:

- Tension the fastening equipment.

When the fastening equipment is tensioned:

- ▶ Release the transport retaining pin **89** at point **P40** and unpin.
- ▶ Lower the pull test bracket **93** with the auxiliary crane and repin and secure the transport retaining pin **89** at point **P40**.
- ▶ Remove the auxiliary crane on the eyebolt **91** at point **P39**.



WARNING

Crushing danger due to pull test bracket!

When unpinning the transport retaining pin **94** the pull test bracket **93** can suddenly swing down and start to swing back and forth.

Limbs can be caught and / or crushed.

Personnel can be severely injured or killed.

- ▶ Make sure that the pull test bracket **93** is secured to prevent it from swinging back and forth before unpinning the transport retaining pin **94**.

- ▶ Release the transport retaining pin **94** at point **P41** and unpin.
- ▶ Swing the pull test bracket **93** down.

When the pull test bracket **93** is in „down“ position:

- ▶ Assemble the W-guy rods with the auxiliary crane on the pull test bracket **93**.
- ▶ Pin the W-guy rods **41** at point **P42** with pin **43** on pull test bracket **93** and secure with spring retainer **42**.
- ▶ Attach the cross bar **44** on the auxiliary crane and lift the W-guy rods **41** so that they will not scrape on the ground when lifting the WA-frame **1 7**.

When the WA-frame **1 7** is raised and the W-guy rods hang vertically:

- ▶ Assemble the W-guy rods **45** with the auxiliary crane on the W-guy rods **41**: Insert the pin **46** and secure with spring retainer **47**.
- ▶ Attach the cross bar **44** on the auxiliary crane and lift the W-guy rods **45** so that they will not scrape on the ground when lifting the WA-frame **1 7** further.

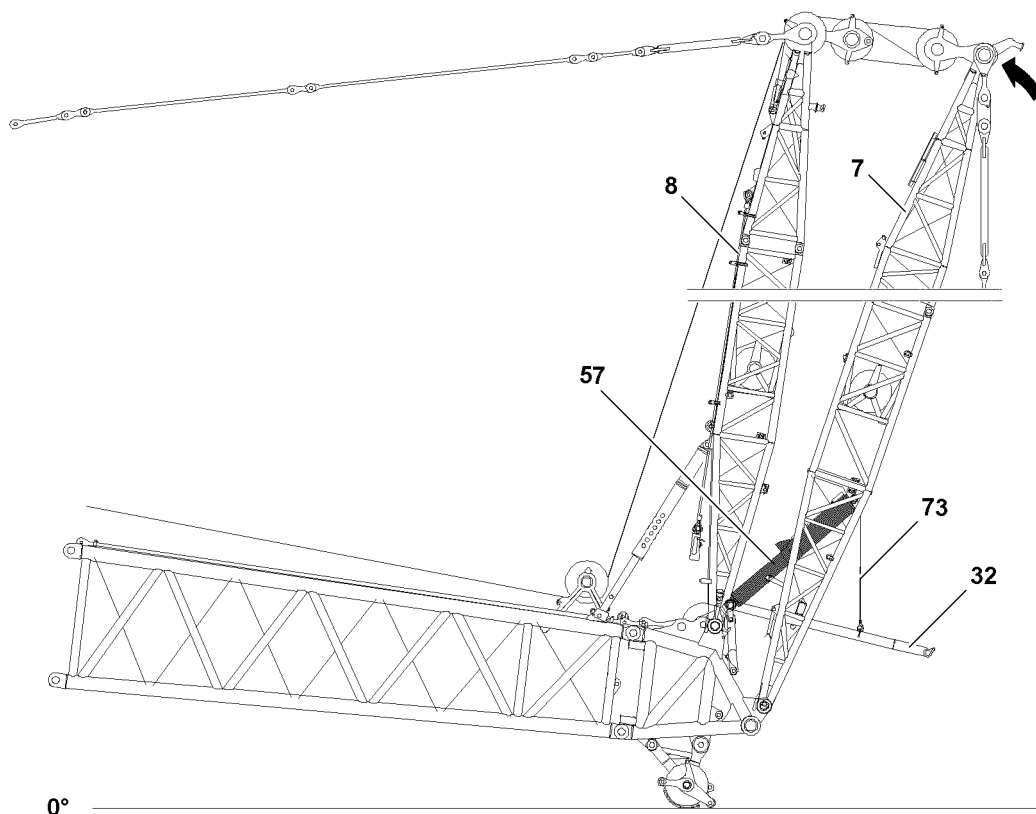


Fig.121358: Pull up the WA-frame **1 7** // relapse cylinder **57** is completely retracted

- ▶ Pull up the WA-frame **1 7** until the relapse cylinder **57** is completely retracted.

Result:

- The mechanical relapse support **32** is raised by the retaining rope **73**.
- The assembly area for the W-lattice jib is freely accessible.

3.7 Assembling the W-lattice jib

**Note**

- ▶ During assembly of the W-lattice jib, adhere to the pin sequence, see Crane operating instructions, chapter 5.01.

Make sure that the following prerequisites are met:

- The W-guy rods on the WA-frame 1 are assembled.
- The WA-frame 1 is completely pulled up.

3.7.1 Pinning the W-pivot section

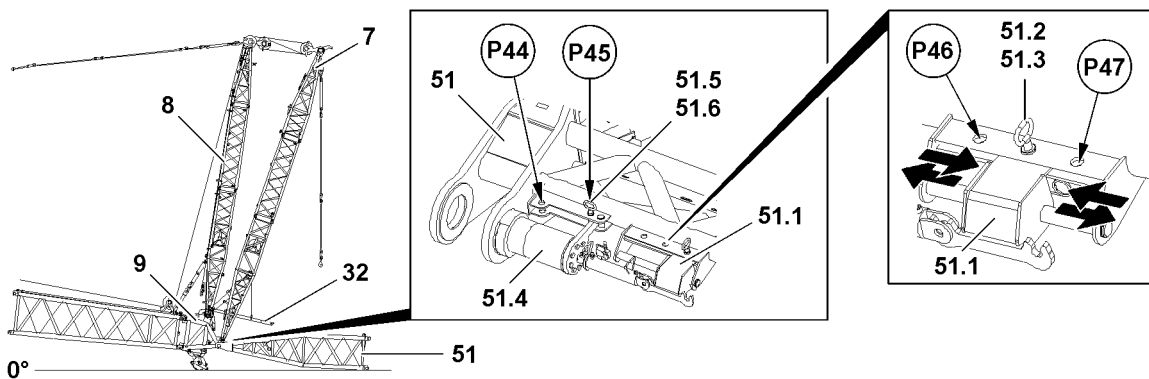


Fig.121532: Assemble the W-pivot section on the W-connector head

**WARNING**

Danger of accident!

If the W-pivot section is not properly pinned and secured on the W-connector head severe accidents can occur.

Personnel can be severely injured or killed.

- ▶ Make sure that the W-lattice jib is supported from below during the assembly and disassembly with suitable materials.
- ▶ Make sure that all pins are properly pinned and secured after assembly.

Make sure that the following prerequisites are met:

- The connector pins **51.4** on the W-pivot section are completely unpinned on both sides.
- The connector pins **51.4** are secured in assembly position at point **P45** on both sides with pin **51.5** and spring retainer **51.6**

**Note**

- ▶ Pay attention to the fastening points of the lattice sections, see section „Fastening points“.

- ▶ Fasten the W-pivot section **51** on the auxiliary crane and position on the pin points on the W-connector head **9**.

**Note**

- ▶ The connector pins **51.4** between the W-pivot section **51** and W-connector head **9** can only be individually pinned with the pin pulling device.
- ▶ Move the hook device **51.1** for the pin pulling cylinders in the respective position and pin and secure with pin **51.2** each at point **P47** or point **P48**.

When the W-pivot section **51** is positioned properly on the W-connector head **9**:

- ▶ Pin the W-pivot section **51** on the W-connector head **9** on both sides with the pin pulling device, see Crane operating instructions, chapter 5.30.

When the connector pins **51.4** are completely pinned on both sides:

- ▶ Secure the connector pins **51.4** on both sides: Insert the pin **51.5** at point **P44** on both sides and secure with spring retainer **51.6**.
- ▶ Remove the pin pulling cylinder from the pin pulling device.
- ▶ Lower the W-pivot section **51** with the auxiliary crane on the support on the ground.

When the W-pivot section **51** is lowered on the support on the ground:

- ▶ Remove the auxiliary crane.
- ▶ Lower the WA-frame 1 **7** until the relapse support **32** is laying on the W-pivot section **51**.

When the relapse support **32** is laying on the W-pivot section **51**:

- ▶ Remove the retaining rope **73** on the relapse support **32** and secure on the WA-frame 1 pivot section.

3.7.2 Establishing the electrical connections to the W-pivot section

Make sure that the following prerequisite is met:

- The W-pivot section **51** is properly pinned and secured on the W-connector head **9**.
- ▶ Properly establish the electrical connections from the W-connector head **9** to the W-pivot section **51**, see Electric wiring diagram

3.7.3 Assembling the W-lattice jib on the W-pivot section

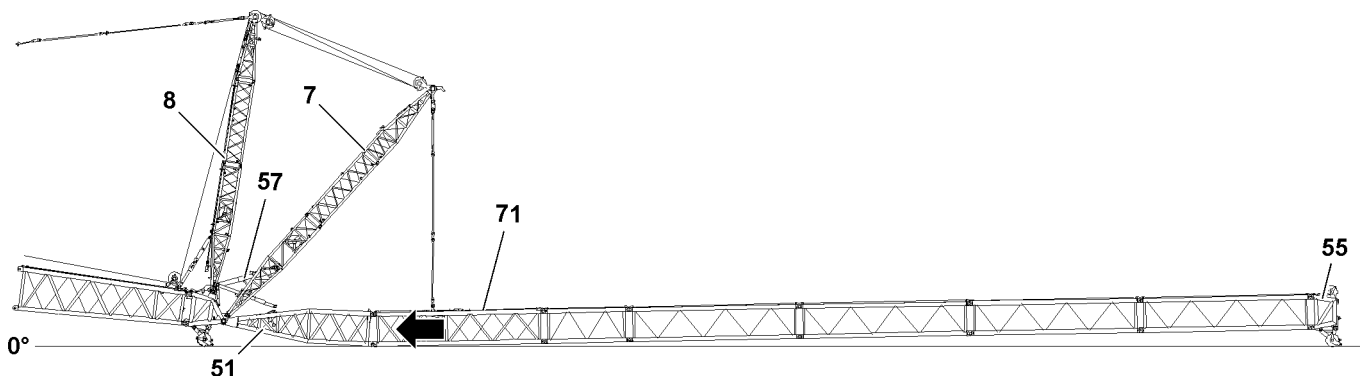


Fig.121359: Assemble the W-lattice jib on the W-pivot section



WARNING

Crushing danger for personnel within the area of the load!

If personnel are located between the load to be lifted and a possible interfering edge when lifting a load, personnel can be severely injured or killed.

- ▶ Before lifting the load it must be ensured that there are no persons within the danger zone.
- ▶ It is prohibited to remain within the danger zone.
- ▶ It is prohibited for anyone to be under the load.
- ▶ Keep a safety distance.
- ▶ Swinging the load is prohibited.
- ▶ Exercise extreme caution when lifting a load.

**WARNING**

General danger notes!

If the following danger notes are not observed, severe accidents can occur.

Personnel can be severely injured or killed.

- ▶ Make sure that the W-lattice jib is supported from below during the assembly and disassembly with suitable materials.
- ▶ Make sure that all pins are properly pinned and secured after assembly.
- ▶ Make sure that the guy rods are properly installed and secured.
- ▶ The guy rods must be checked regularly, see Crane operating instructions, chapter 8.15.

**Note**

- ▶ During assembly of the W-lattice jib, adhere to the pin sequence, see Crane operating instructions, chapter 5.01.

Make sure that the following prerequisites are met:

- The guy rods are assembled on the WA-frame 1 **7**.
- The WA-frame 1 **7** is luffed to the point where the WA-frame 1 guy rods are standing over the guy rods of the lattice sections.
- The function of the relapse cylinder **57** is ensured.
- The WA-frame 2 **8** is guyed.
- The required guy rods are laying on the lattice sections to be installed.

**Note**

- ▶ For the composition of the different W-lattice jib length, observe the Rod plan.

To pin the W-lattice jib with the pin pulling device, see Crane operating instructions, chapter 5.30.

The assembly of the W-lattice jib is the same as the assembly of the boom, see Crane operating instructions, chapter 5.39.

- ▶ Assemble the W-lattice jib to the required length: Position the lattice sections and pin them properly with the connector pins.
- ▶ Secure the pin connections of the lattice sections properly.

3.7.4 Closing the W-lattice jib

**Note**

- ▶ When the W-lattice jib has been erected closed already at the assembly of the lattice sections, then the assembly step: „Closing the W-lattice jib“ can be eliminated.

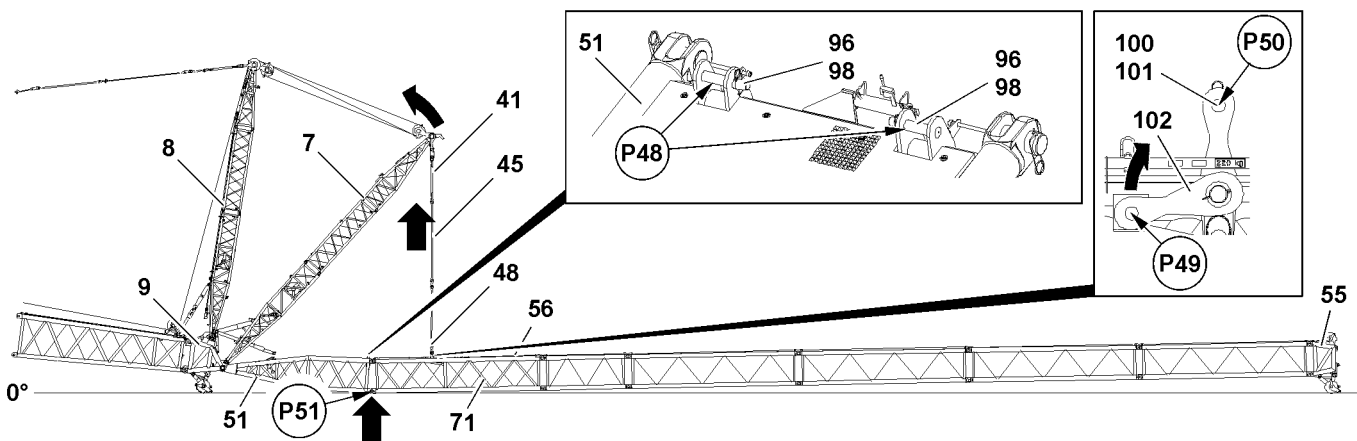


Fig.121535: Closing the W-lattice jib

For the short WA-frames the following applies:

- ▶ Pin the W-guy rods **45** of WA-frame 1 **7** on the pin points **P48** on the W-pivot section **51**.
- ▶ Pin the W-guy rods **45** on the pin points **P48** on both sides with pin **96** and secure with spring retainer **98**.

For the long WA-frames the following applies:

- ▶ Release the brackets **102** in park position **P49** and swing upward in operating position.

When the brackets **102** are in operating position:

- ▶ Pin the W-guy rods **45** of WA-frame 1 **7** on the brackets **102** (point **P50**) on the LI-intermediate section **71**: Use pin **100** and spring retainer **101**.

When the W-guy rods of WA-frame 1 are pinned with the brackets on the W-pivot section **or** on the LI-intermediate section **71**:

- ▶ Pull the WA-frame 1 **7** with the W-control upward and close the W-lattice jib.

When the pin bores between the W-pivot section **51** and the LI-intermediate section **71** align on the „bottom“ (point **P51**):

- ▶ Pin the lattice sections with the pin pulling device: Pin the connector pins between the W-pivot section **51** and the LI-intermediate section **71** on both sides and secure properly with spring retainer.

3.7.5 Installing the auxiliary guying

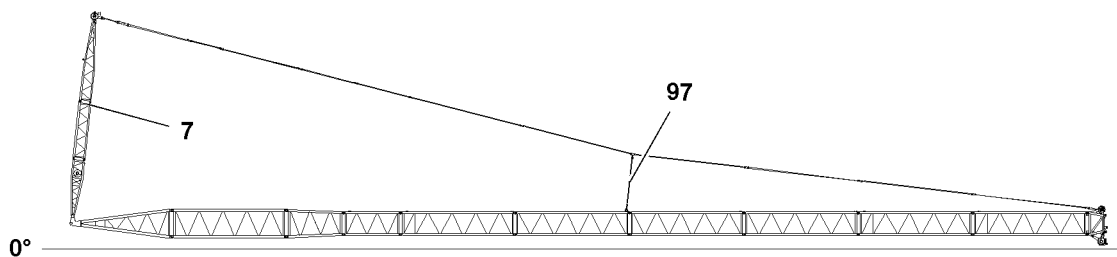


Fig.121540: Install the auxiliary guying

When one auxiliary guying **97** is required according to the Rod plan:

- ▶ Assemble the auxiliary guying **97** properly, see Crane operating instructions, chapter 5.03.

3.7.6 Placing the W-lattice jib in the pulley cart and tension the W-guying

NOTICE

Damage to the boom system!

If the boom system is incorrectly fastened on the auxiliary crane and lifted, then the boom system can be damaged.

This could result in high property damage.

- ▶ Make sure that the boom system is only fastened and lifted on the intended locations on the auxiliary crane, see Crane operating instructions, chapter 5.01 and 5.61.

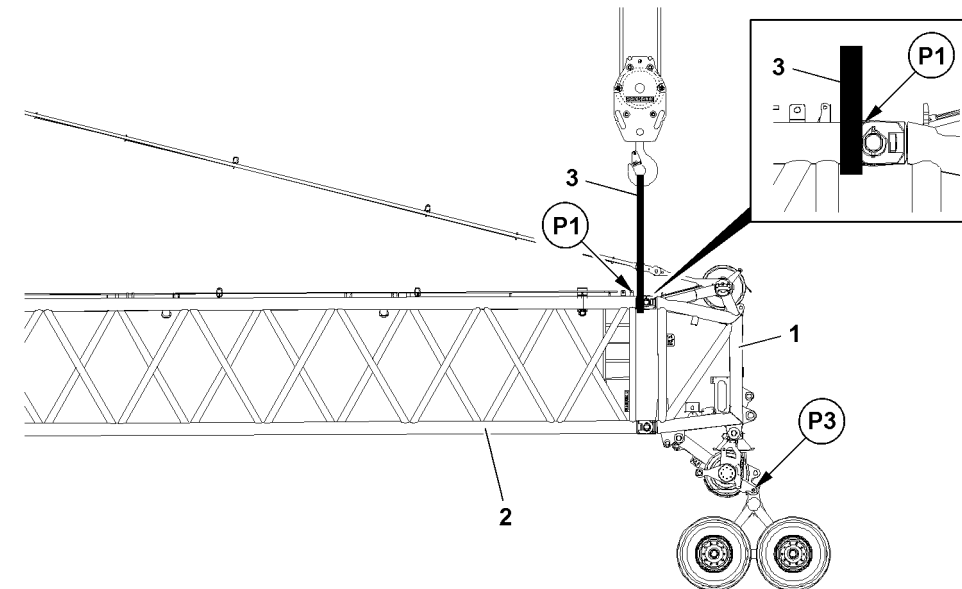


Fig.121583: Lift the boom end section in the pulley cart // illustration is an example

Make sure that the following prerequisite is met:

- The retaining pins on the pulley cart are unpinned.
- ▶ Fasten the W-lattice jib properly on the auxiliary crane and lift, see Crane operating instructions, chapter 5.01.



WARNING

Crushing danger due to pulley cart!

If personnel remains in the danger zone, they can be crushed and / or limbs can be severed. Personnel can be severely injured or killed.

- ▶ Make sure that there are no persons within the danger zone.

- ▶ Position the pulley cart under the SW-end sections.

When the pulley cart is properly positioned:

- ▶ Place the W-lattice jib with the SW-end section in the pulley cart and secure.

When the lattice jib is properly placed in the pulley cart:

- ▶ Release the transport retainers of the W-guy rods on the lattice sections.
- ▶ Pin the W-guy rods of the WA-frame 1 with the W-guy rods of the LI-lattice sections.
- ▶ Pin the W-guy rods of the LI-lattice sections with the W-guy rods of the SW-end section.

Result:

- The W-lattice jib is fully assembled and secured.



WARNING

The crane can topple over!

If the main boom is erected to the point where the pulley cart lifts off the ground, the crane can be overloaded and topple over.

Personnel can be severely injured or killed.

- ▶ Make sure that the pulley cart remains on the ground when tensioning the W-guying.
- ▶ Erect the main boom until the W-guying is tensioned.

- ▶ Tension the W-guying.

3.8 Establishing the electrical connections to the SW-end section

Make sure that the following prerequisite is met:

- The W-boom is completely assembled.
- The W-guying is tensioned.
- The airplane warning light and the wind speed sensor are installed.

NOTICE

Damage to the electrical connection on the cable drum!

If the electrical connection from the cable drum to the terminal box on the W-pivot section is established first before the connection to the terminal box on the SW-end section, then the electrical connection will be damaged when spooling out the cable drum.

- ▶ Establish first the electrical connection from the cable drum on the W-pivot section to the terminal box on the SW-end section and then the electrical connection from the terminal box on the W-pivot section to the cable drum on the W-pivot section.
-



Note

- ▶ To establish the electrical connections, use the Electric wiring diagram.
-
- ▶ Establish the electrical connections.
 - ▶ Make sure that all electrical connections on the boom are established.

3.9 Checking the function of the safety equipment

Make sure that the following prerequisites are met:

- All electrical connections have been made.
- The appropriate operating mode is set.

3.9.1 Wind speed sensor*

- ▶ Check the movement and the function of the wind speed sensor.

3.9.2 Airplane warning light*

- ▶ Turn the airplane warning light on and visually check the function.

3.9.3 Oscillation guard

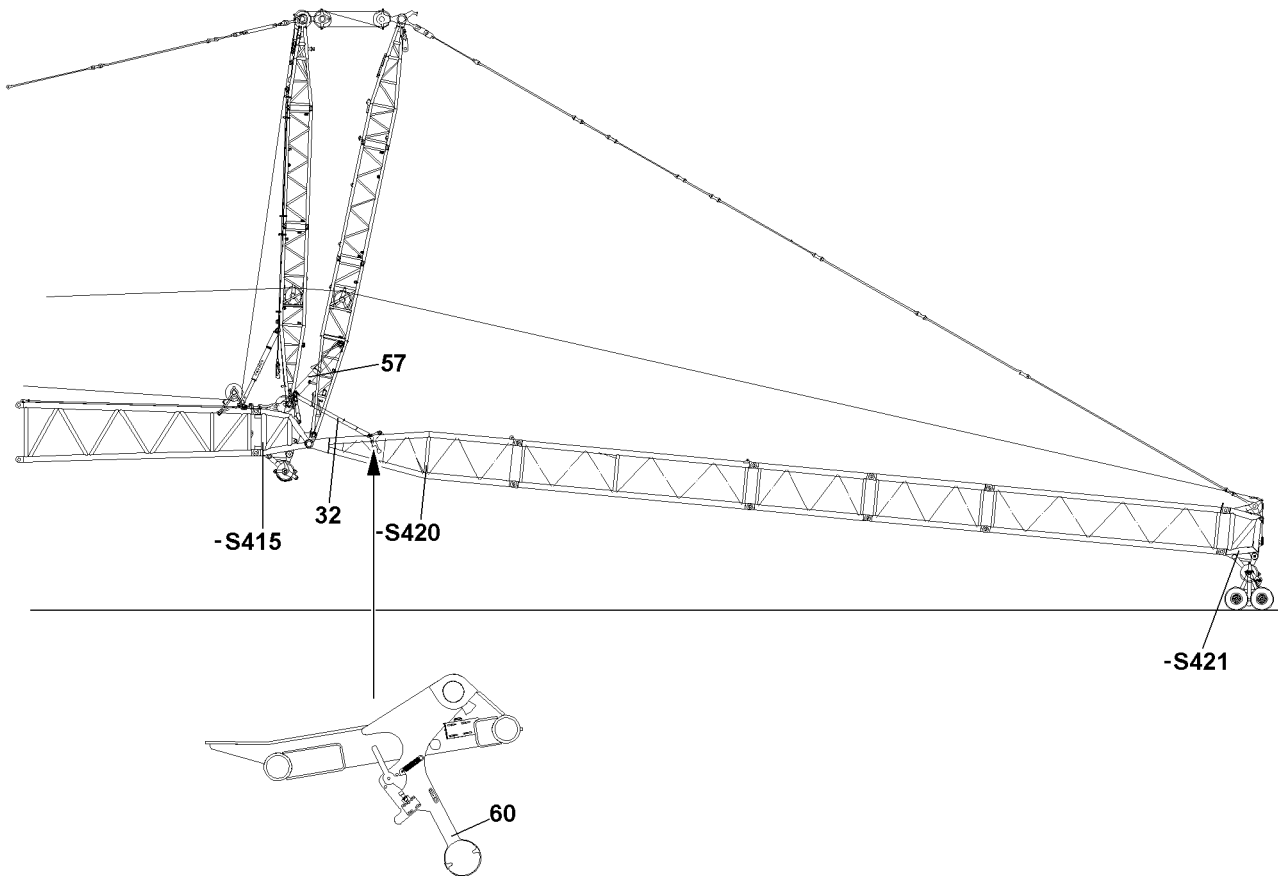


Fig.121533: Check the oscillation guard for correct function



WARNING

Danger of tipping over if the oscillation guard is hard to move!
If the oscillation guard **60** is hard to move, the mechanical relapse retainer will no longer function. The W-lattice jib can tip backwards uncontrolled and cause the crane to topple over. Personnel can be severely injured or killed.

- ▶ Crane operation with hard to move oscillation guard **60** is prohibited.
- ▶ Check the oscillation guard **60** for easy movement.

3.9.4 Limit switch, general

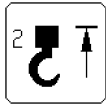


Note

- ▶ The limit switch functions have to be checked individually before erection.
- ▶ In the test system, the functions of the limit switch actuators must be checked as described in the separate „Diagnostics manual“.
- ▶ The limit switch actuators are checked manually as follows.

3.9.5 Hoist limit switch

When replacing or changing the hoist limit switch (HES), the HES must have the correct bus address and the correct software version in order to be recognized again by the bus system (LSB).



- ▶ Actuate the hoist limit switch manually.

Result:

- The icon appears on the LICCON monitor.
- The **spool up function** of the hoist winch turns off.

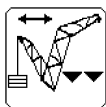
3.9.6 Limit switch W-lattice jib, „steepest“ position, relapse cylinder

- ▶ Cover the limit switch actuators individually with a metal plate, see Crane operating instructions, chapter 8.12.

Result:

- The icon appears on the LICCON monitor.
- The **spool up function** of the W-control winch turns off.

3.9.7 Limit switch W-lattice jib, „lowest“ position, relapse cylinder



- ▶ Cover the „lowest“ position of the limit switch initiators individually with a metal plate, see Crane operating instructions, chapter 8.12.

Result:

- The icon appears on the LICCON monitor.
- The **spool out function** of the W-control winch turns off.

3.9.8 Limit switch flap in position W-lattice jib „steepest“ position, mechanical relapse support



- ▶ Cover the limit switch actuators individually with a metal plate.

Result:

- The icon appears on the LICCON monitor.
- The **spool up function** of the W-control winch turns off.

4 Erecting the boom

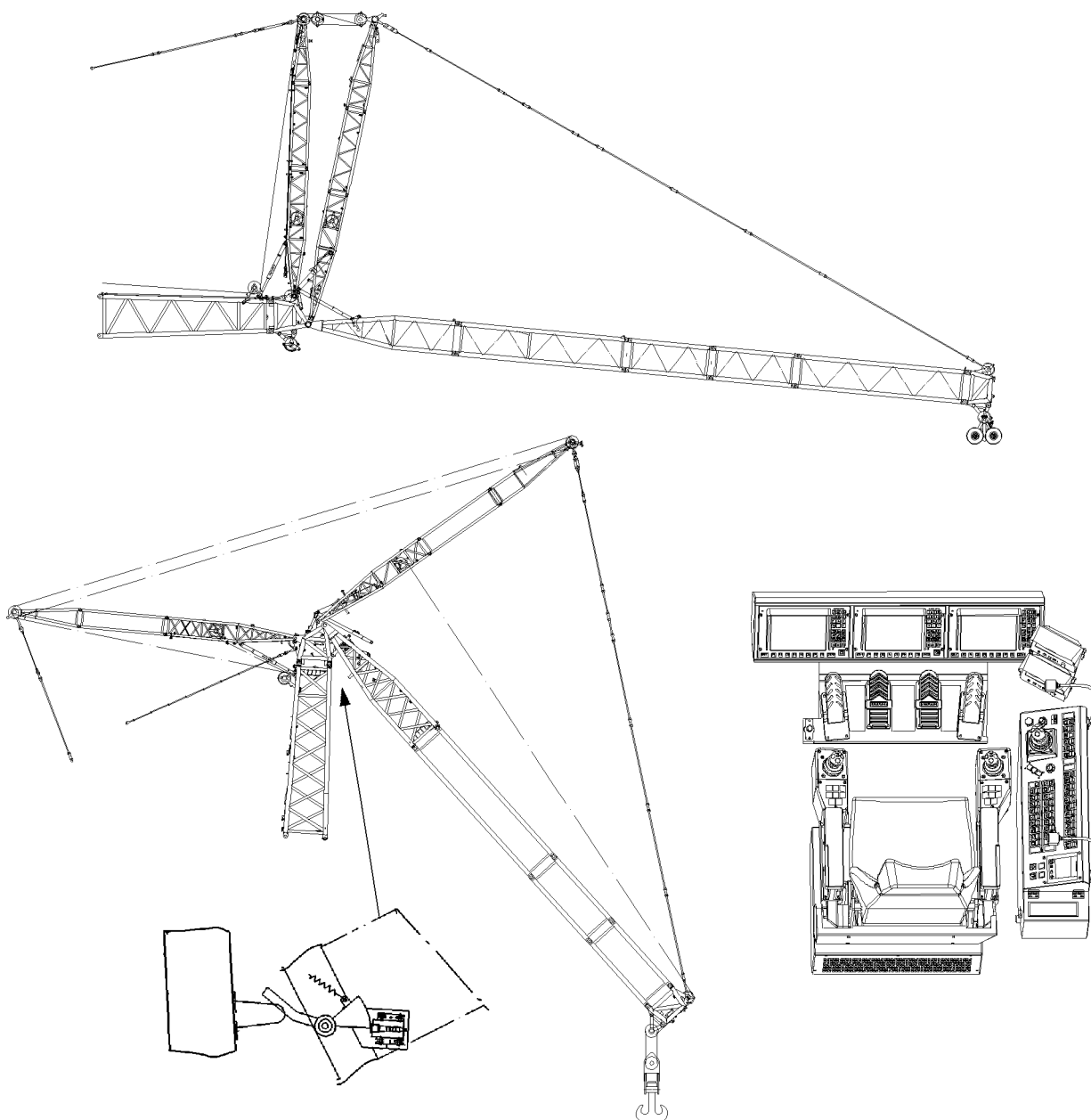


Fig.121127



WARNING

The crane can topple over!

If the following conditions are not met before erecting the boom, the crane can be overloaded and topple over.

Personnel can be severely injured or killed.

- ▶ While the boom system is erected, turning is prohibited.
- ▶ Observe the technical safety notes, see Crane operating instructions, chapter 5.01.
- ▶ Observe the specifications in the erection and take down charts.
- ▶ Extend the relapse cylinder before erection.

**WARNING**

The crane can topple over!

For certain boom lengths, the mechanical auxiliary supports must be assembled, see Erection and take down chart.

- ▶ The boom must be erected or taken down „to the side“ „in the direction“ of the mechanical auxiliary supports.
- ▶ Always erect or take down according to the data in the **Erection and take down charts**.

**WARNING**

Tipping lattice jib!

If the easy movement on the pendulum of the mechanical relapse support is not checked before erection or not re-established, if necessary, then the mechanical relapse support will not engage in steep lattice jib position.

Personnel can be severely injured or killed.

As a result, the lattice jib can tip to the rear.

Personnel can be severely injured or killed.

- ▶ Check the easy movement on the pendulum of the mechanical relapse support before erection.
- ▶ If the pendulum does not move easily: Make the pendulum easy to move.

**WARNING**

The crane can topple over!

If the following conditions are not met before erecting the boom, the crane can topple over. Personnel can be severely injured or killed.

- ▶ The lattice jib must roll on the ground with its entire weight.
- ▶ Spool the lattice jib adjustment out in such that guy rods sag slightly.
- ▶ Do not allow slack rope to build up on the W-control winch.

**WARNING**

Unutilized guy rods on boom!

If guy rods are on the lattice sections which are not used for operation, then there is a danger of accidents.

Personnel can be severely injured or killed.

Guy rods can loosen up and fall down.

The load chart is invalid.

The load display of the LICCON computer system shows an incorrect value.

The weight of the boom is too large for erection.

- ▶ Disassemble and remove unutilized guy rods on the transport retainers before erecting the boom.

4.1 Erecting the boom

Make sure that the following prerequisites are met:

- The W-lattice jib is fully assembled.
- The pulley cart is assembled on the SW-end section.
- No personnel is within the danger zone.
- The crane is aligned in horizontal direction.
- All electrical connections have been made.
- All limit switches are functioning.
- The counterweight is installed on the turntable according to the load chart and the Erection and take down chart.
- The derrick ballast has been installed on the derrick according to the load chart or the Erection and take down chart.
- All pin connections have been secured.
- The hoist rope has been correctly placed in the rope pulleys and is prevented from jumping out with the rope retaining pins.
- The hoist rope has been pulled with the respective length over the SW-end section.
- There are no loose parts on the boom or the lattice jib.
- Boom, lattice jib and safety devices are free from snow, frost and ice.
- The LICCON overload protection has been set according to the data in the load chart.
- The LICCON overload protection settings have been compared with the actual set up configuration.
- The LICCON overload protection is bypassed, see Crane operating instructions, chapter 4.02.
- The assembly icon is visible on the LICCON monitor.



WARNING

Falling hoist rope!

If the hoist rope is not pulled with the respective length over the SW-end section before the erection procedure, then it can fall backward due to its own weight.

Personnel can be severely injured or killed.

- ▶ Before the erection procedure, pull the hoist rope with sufficient length over the SW-end section.
 - ▶ The hoist rope must be constantly monitored during erection.
 - ▶ Do not step into the danger zone.
-
- ▶ Luff up the S-boom and simultaneously spool the W-control winch out to keep the lattice jib with the SW-end section placed on the pulley cart on the ground. Continue with this process until the S-boom and the W-lattice jib form an angle of approximately 45°, **Switch position W-lattice jib bottom**, or until the SW-end section lifts off from the ground first or the WA-frame 1 is in the **bottom** position.
 - ▶ Unpin the pulley cart on the SW-end section, see Crane operating instructions, chapter 5.15.
 - ▶ Luff the S-boom up until the SW-end section lifts off the pulley cart.
 - ▶ Check the actual load on the LICCON monitor.

Problem remedy

Actual load on the LICCON monitor is larger than 0.0 t.

- ▶ Observe the notes for input of hook block weight, see Crane operating instructions, chapter 4.02.
-
- ▶ Reeve in the hook block properly and secure the hoist rope on the rope fixed point, see Reeving plan.
 - ▶ Attach the hoist limit switch weight.
 - ▶ Enter the weight of the hook block into the LICCON computer system.

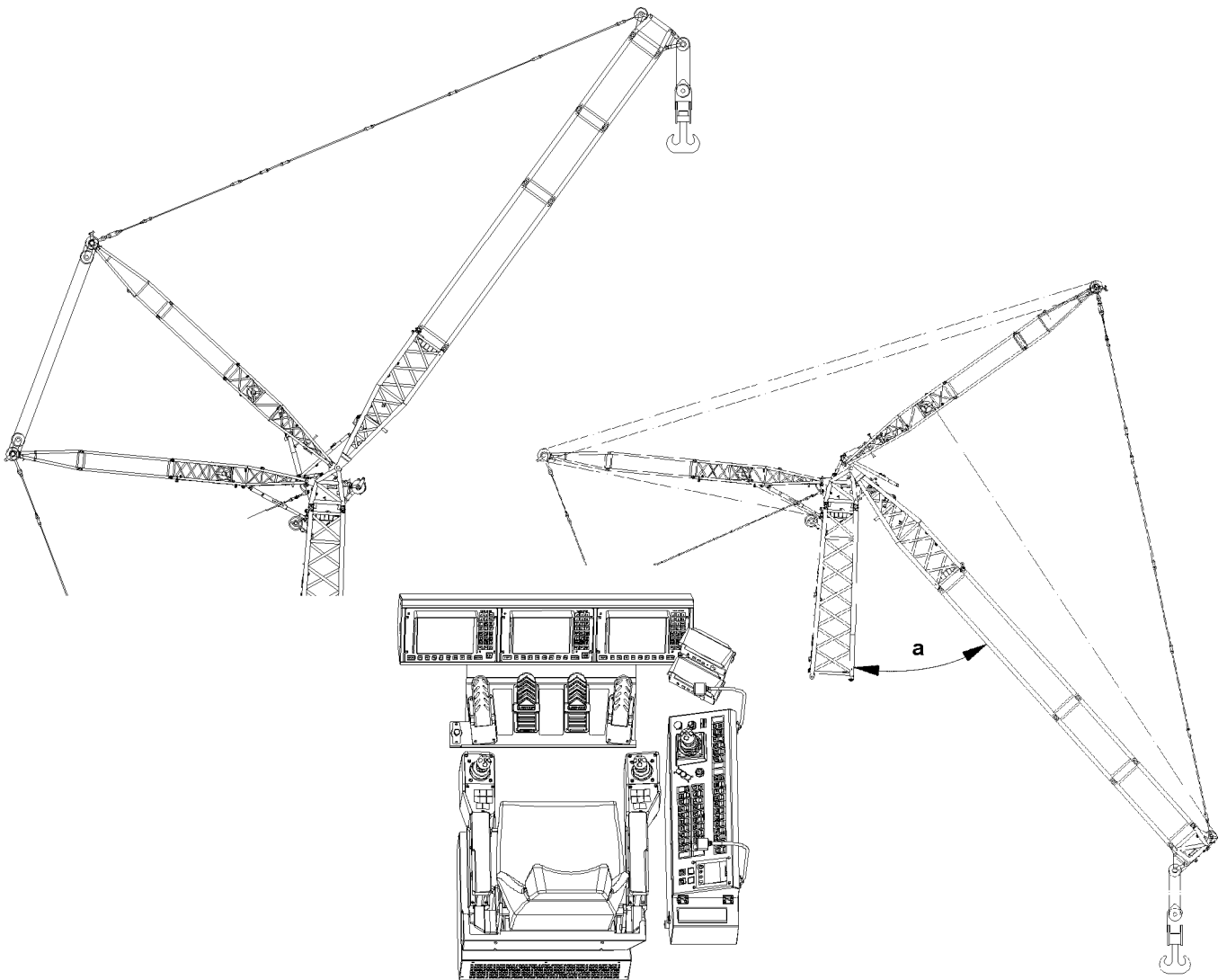


Fig.121128

NOTICE

Damage to crane!

- ▶ Luff up the S-boom and simultaneously spool out the hoist winch to prevent the hook block from colliding with the SW-end section.
- ▶ Luff up the S-boom to the operating position.

**WARNING**

The crane can topple over!

In crane operation with exceeded LICCON overload protection, the crane can topple over. Personnel can be severely injured or killed.

- ▶ The radii listed in the load chart may not be exceeded or fallen below, even if there is no load on the hook.

If required in the Erection and take down chart:

- ▶ Carry the hook block along with the auxiliary crane.

**Note**

- ▶ When the lowest operating position of the W-lattice jib is reached, the LICCON overload protection is activated.
- ▶ In the maximum load icon appears a load number in „t“ instead of the display „???“.

- ▶ Luff the boom up to the lowest operating position.

When the boom has reached the lowest operating position:

- ▶ Make sure that the assembly icon **11** on the LICCON monitor turns off.

Result:

- The LICCON overload protection is active.

5 Crane operation



Note

- ▶ Observe the notes, see Crane operating instructions, chapter 4.05, chapter 4.08 and chapter 5.01.

Make sure that the following prerequisites are met:

- The LICCON overload protection is active.
- The LICCON overload protection has been set according to the data in the load chart.



WARNING

The crane can topple over!

- ▶ Check the horizontal position of the crane before and during operation.
- ▶ If the crane operator leaves the cab, even for a short time, the operating mode setting must be checked and reset if necessary before resuming crane operation.

5.1 Checking the settings

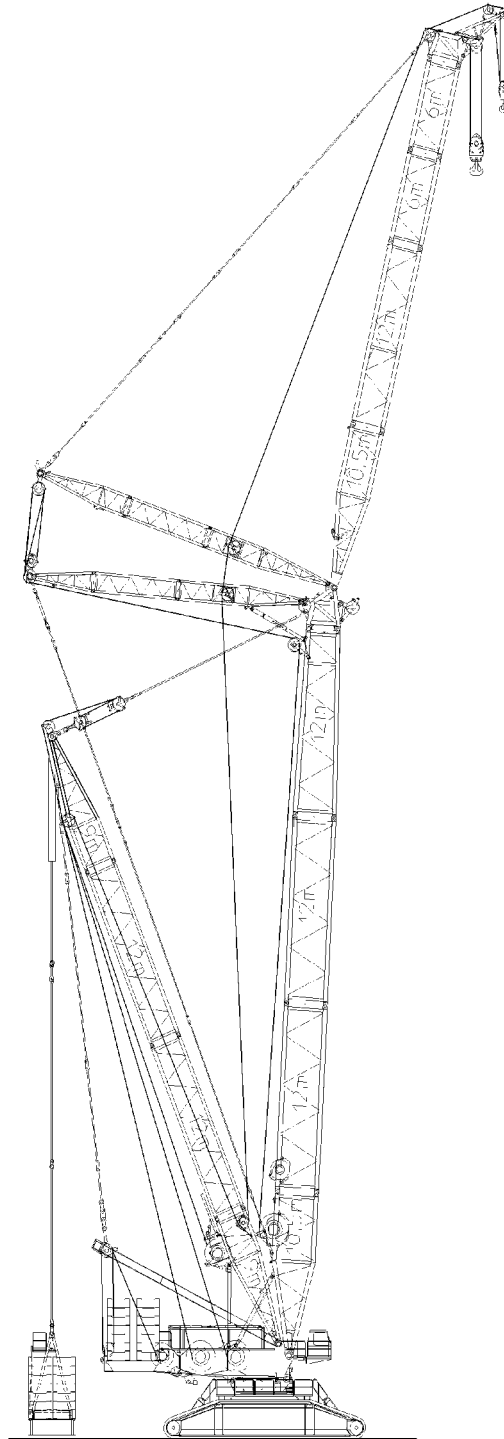


Fig.121129: Crane in operating position

- ▶ Check the function of the overload protection by running against the operating positions on top and bottom.
- ▶ Check the hoist limit switch by running against the hoist limit switch weight.
- ▶ Check the function of the limit switches on the relapse cylinders.

6 Placing the boom down

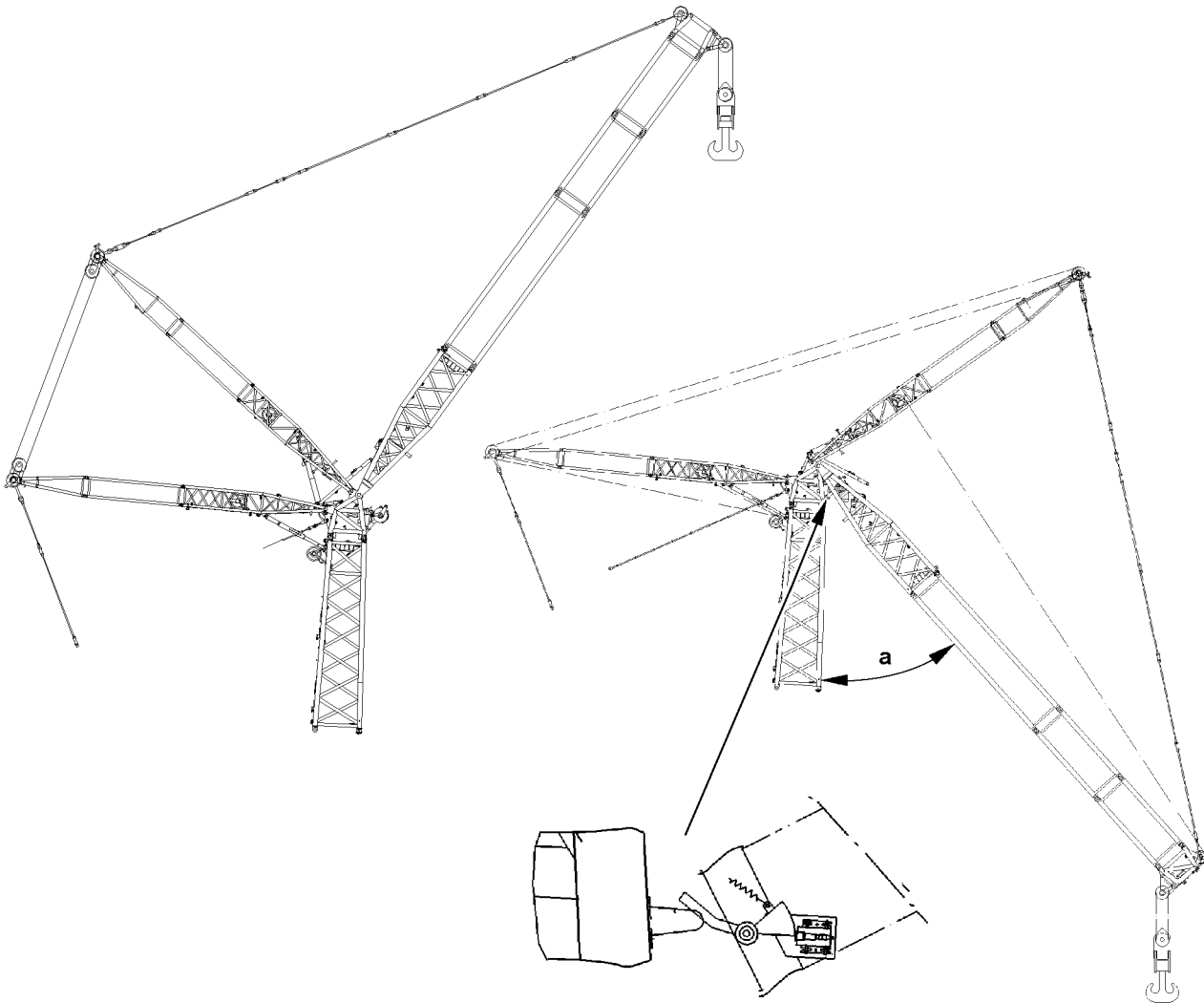


Fig.121130: Luff the W-lattice jib down and place the boom system down



WARNING

The crane can topple over!

If the following conditions are not met before taking down the boom, the crane can be overloaded and topple over.

Personnel can be severely injured or killed.

- ▶ While the boom system is taken down, turning is prohibited.
- ▶ Observe the technical safety notes, see Crane operating instructions, chapter 5.01.
- ▶ Observe the specifications in the erection and take down charts.



WARNING

The crane can topple over!

For certain boom lengths, the mechanical auxiliary supports must be assembled, see Erection and take down chart.

- ▶ The boom must be erected or taken down „to the side“ „in the direction“ of the mechanical auxiliary supports.
- ▶ Always erect or take down according to the data in the **Erection and take down charts**.

6.1 Placing the boom down

Make sure that the following prerequisites are met:

- The crane is aligned in horizontal direction.
 - The S-boom is in the steepest position, 87°.
 - The pulley cart is on hand for the take down procedure.
 - No personnel is within the danger zone.
 - The counterweight is installed on the turntable according to the load chart and the Erection and take down chart.
 - The derrick ballast has been installed on the derrick according to the load chart or the Erection and take down chart.
 - Boom, lattice jib and safety devices are free from snow, frost and ice.
 - The LICCON overload protection has been set according to the data in the load chart.
- ▶ Luff the W-lattice jib down to the **lowest** operating position.

Result:

- The luff down movement is turned off.
- The „STOP“ icon appears on the LICCON monitor.
- The horn icon appears on the LICCON monitor.



WARNING

Danger of accident due to function „Exceedance of shut off limits of the LICCON overload protection“! If the shut off limits of the LICCON overload protection are exceeded, there is no additional protection against crane overload.

Due to erroneous operation or deliberate misuse, the crane could collapse, the boom can break off or the crane can topple over.

Personnel can be severely injured or killed.

- ▶ The function „Exceeding the shut off limits of the LICCON overload protection“ is only permissible in emergencies and for assembly purposes.
- ▶ The function „Exceeding the shut off limits of the LICCON overload protection“ may only be actuated by persons who know the effects of their actions regarding the function „Exceeding the shut off limits of the LICCON overload protection“.
- ▶ The function „Exceeding the shut off limits of the LICCON overload protection“ requires the presence of an authorized person and must be performed with utmost caution.
- ▶ Crane operation with activated function „Exceeding the shut off limits of the LICCON overload protection“ is prohibited.

When the W-lattice jib has reached the „lowest“ operating position:

- ▶ Exceeding the shut off limits of the LICCON overload protection: Engage assembly operation.

Result:

- The shut off limits of the LICCON overload protection are exceeded.
- The assembly icon appears on the LICCON monitor.

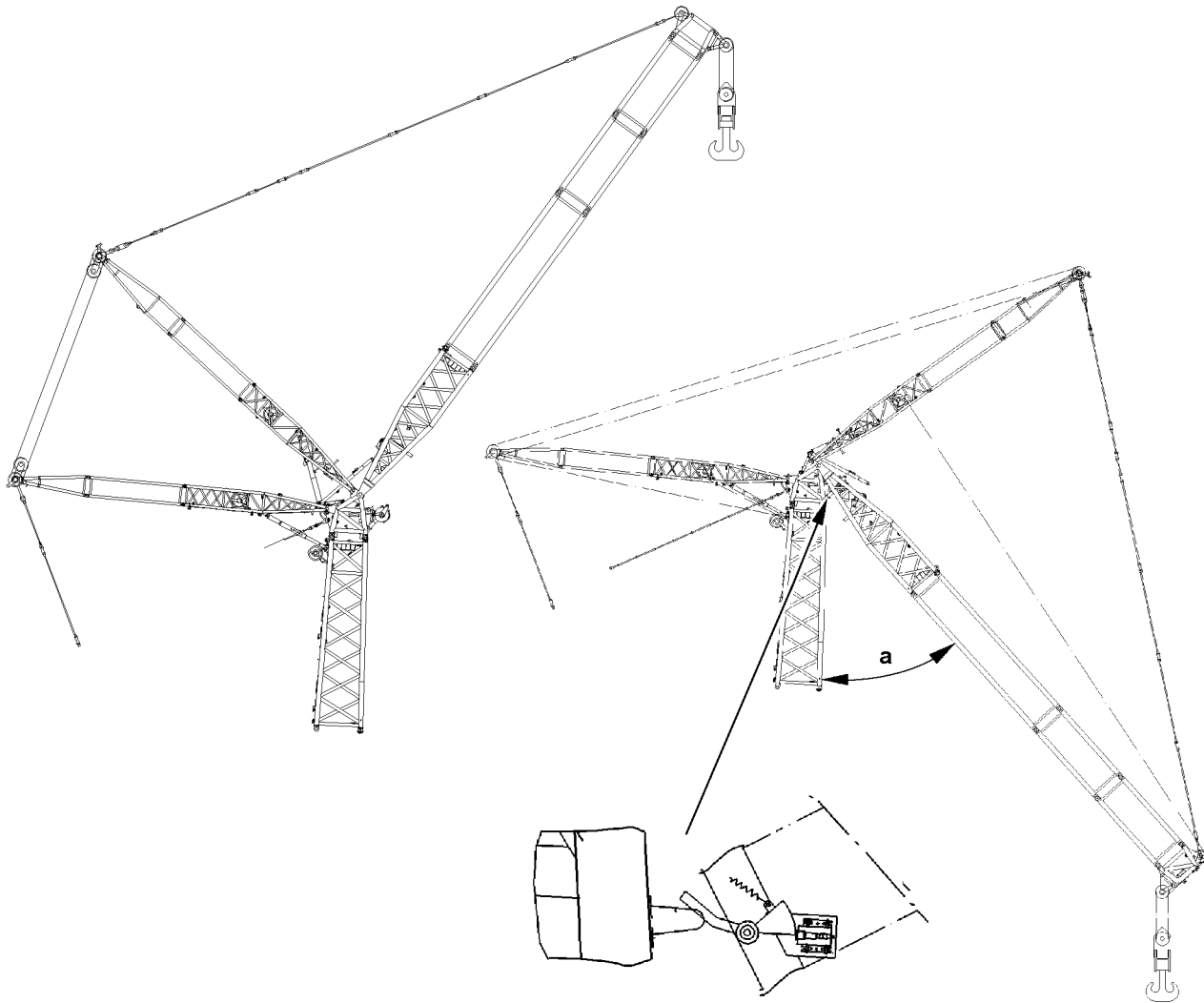


Fig.121130: Luff the W-lattice jib down and place the boom system down

- ▶ Continue to luff the W-lattice jib down until an angle a of approximately 45° is reached between the S-boom and the W-lattice jib.

Result:

- The crane movement „Luff the W-lattice jib down“ is shut off.

When the crane movement „Luff the W-lattice jib down“ is shut off:

- ▶ Luff the S-boom down.

NOTICE

Damage to crane!

- ▶ Luff the S-boom down and simultaneously spool out the hoist winch to prevent the hook block from colliding with the SW-end section.

-
- ▶ Luff the S-boom down until the hook block touches the ground.
 - ▶ Remove the hoist limit switch weight and unreeve the hook block.

When the hook block is properly unreeved:

- ▶ Remove the hook block with the auxiliary crane.
- ▶ Continue to luff down the S-boom until the SW-end section is laying on the pulley cart.
- ▶ Assemble the SW-end section on pulley cart, see Crane operating instructions, chapter 5.61.

**WARNING**

The crane can topple over!

- ▶ Make sure that the W-lattice jib - over the entire take down procedure - is rolling with the entire weight on the ground.
 - ▶ Make sure that the W-guying always sags slightly during the take down procedure with the pulley cart.
 - ▶ Spool the W-control winch up slowly during the entire take down procedure and at slow speed.
 - ▶ Make sure that no slack rope formation occurs on the W-control winch during the take down procedure.
-
- ▶ Luff down S-boom further and simultaneously spool the W-control winch up.
 - ▶ Luff the S-boom down until the W-connector head is laying on the support on the ground.

7 Disassembly

**WARNING**

Danger of falling!

During assembly / disassembly, inspection and maintenance work, assembly personnel must be secured with appropriate aids to prevent them from falling. If this is not observed, assembly personnel could fall and suffer life-threatening or fatal injuries.

- ▶ All work aloft, where there is a danger of falling must be carried out with suitable aids.
- ▶ If fall arrest equipment is available, then it must be used, see Crane operating instructions, chapter 2.06.
- ▶ If aids are not available and work cannot be carried out from the ground, then the assembly personnel must secure themselves with the specified fall arrest system to prevent falling, see Crane operating instructions, chapter 2.04.
- ▶ The fall arrest system must be fastened on the fastening and hook points as well as on the safety ropes. For safety points, see Crane operating instructions, chapter 2.06.
- ▶ Only step on the aids, ladders and catwalks with clean shoes.
- ▶ Keep aids, ladders and catwalks free of heavy dirt, snow and ice.
- ▶ Remaining on as well as under a suspended load is prohibited.
- ▶ Remaining on or within crane components (for example: At assembly of boom sections, lattice sections) which are moved during lifting, lowering, turning or closing procedures is strictly prohibited.
- ▶ During all assembly and disassembly work, maintenance work and inspections, travel or crane operation is prohibited.
- ▶ It is prohibited to step on the boom system or an auxiliary boom without suitable protective devices.
- ▶ Stepping and walking on crane components and lattice sections, which have an incline of more than 20° is prohibited.

**WARNING**

The lattice sections can fall down!

If the lattice sections are not pinned and secured correctly, then they can fall down and fatally injure personnel.

- ▶ Pin or unpin both pins at the same horizontal level, i.e. **left and right**.
- ▶ Do not stand under the lattice sections or within the entire danger zone during the pinning and unpinning procedure of the boom.
- ▶ Secure the pins in the bearing points and the receptacles.
- ▶ It is prohibited to lean the ladder against the component being disassembled.
- ▶ Do not remove the fastening equipment and the auxiliary crane until each component is pinned on and secured.

**WARNING**

Danger of impact / crushing!

When installing / removing crane components with the auxiliary crane, crane components can start to swing back and forth.

When lifting / lowering and positioning crane components, there is an increased danger of impacts / crushing.

Personnel can be severely injured or killed.

- ▶ Make sure that personnel cannot be caught by components.
- ▶ Make sure that the crane is aligned in horizontal position to avoid the support beams from swinging by themselves.
- ▶ When working in danger zones: Use aids to protect limbs.
- ▶ Guide components with suitable aids to minimize oscillation.

7.1 Removing the hoist ropes

Make sure that the following prerequisite is met:

- On the W-connector head all rope retainers are removed.
- The hoist rope is connected with the auxiliary rope.

NOTICE

Slack rope formation!

The hoist rope can be damaged if ropes are slack.

This could result in high property damage.

- ▶ When spooling the hoist rope up or out, allow now slack rope formation.
- ▶ When spooling the hoist rope up or out, hold the hoist rope taut with the auxiliary rope of the assembly winch.

**WARNING**

Danger of accident!

Personnel can be severely injured or killed.

- ▶ It is prohibited to remain within the danger zone of the running ropes.
- ▶ Radio contact is available between crane operator and assembly personnel.
- ▶ Slowly spool the hoist rope up and pull it over the rope pulleys to the rear which are within the WA-frames.

**Note**

- ▶ Spool the hoist rope up only to the W-connector head and not to the winch, since the hoist rope is still needed for the disassembly or the take down of the WA-frames.
- ▶ Spool the hoist rope up until the end of the rope can be placed down on the W-connector head.
- ▶ Place the hoist rope down on the W-connector head.
- ▶ Secure the hoist rope to prevent it from falling.

7.2 Removing the auxiliary guying

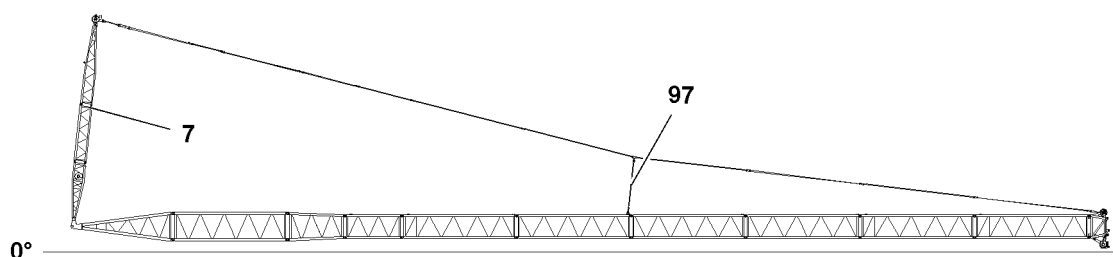


Fig.121540: Removing the auxiliary guying

When one auxiliary guying **97** is installed:

- ▶ Lower the WA-frame **1 7** until the W-guying releases tension and the auxiliary guying **97** can be removed.
- ▶ For disassembly of the auxiliary guying **97**, see Crane operating instructions, chapter 5.03.

7.3 Placing the W-guy rods down on the lattice sections

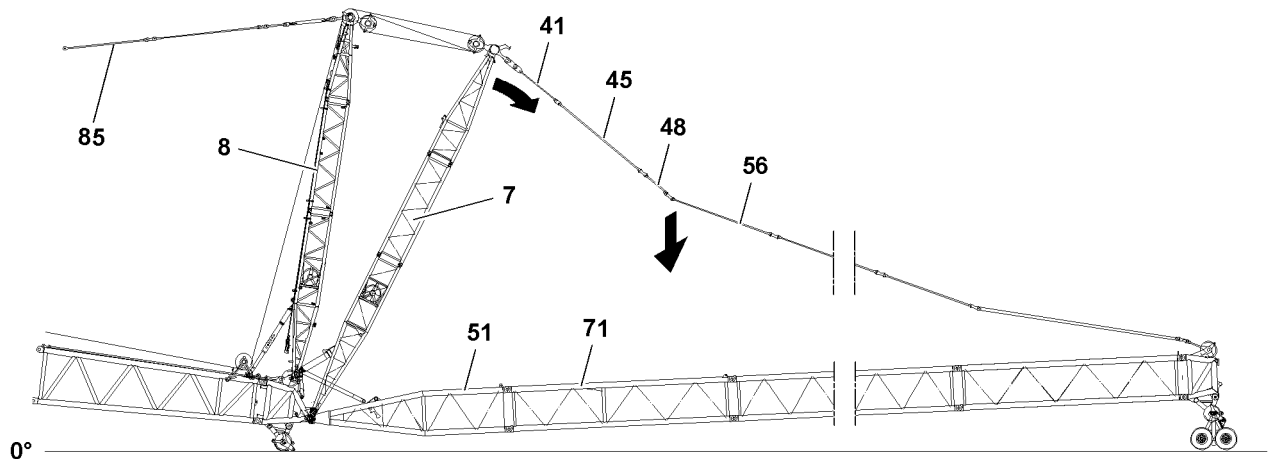


Fig.121534: Relieve the W-guying and place it on the lattice sections

Make sure that the following prerequisite is met:

- The auxiliary guying is properly removed.

- ▶ Relieve the W-guy rods **56** by lowering the WA-frame **1 7**: Spool the W-control winch out.

When the W-guy rods **56** are laying on the lattice sections of the W-lattice jib:

- ▶ Unpin the W-guy rods **56** on the guy rods **48**: Remove the spring retainer **50** and unpin the pin **49**.
- ▶ Place the guy rods **56** for transport on the W-lattice sections and properly secure them in the transport retainers.

7.4 Lifting the W-lattice jib from the pulley cart

NOTICE

Damage to the boom system!

If the boom system is incorrectly fastened on the auxiliary crane and lifted, then the boom system can be damaged.

This could result in high property damage.

- ▶ Make sure that the boom system is only fastened and lifted on the intended locations on the auxiliary crane, see Crane operating instructions, chapter 5.01 and 5.61.

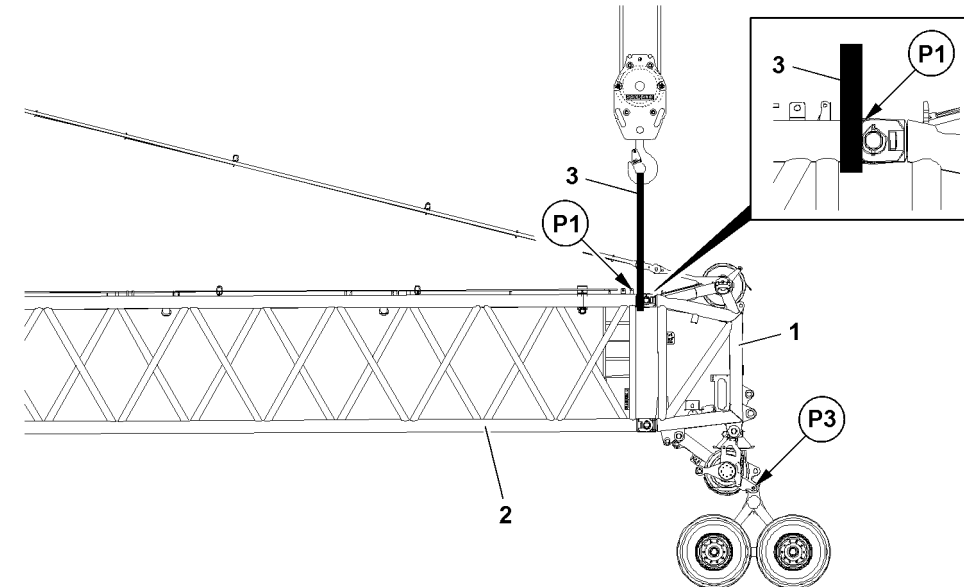


Fig.121583: Lift the boom end section from the pulley cart // illustration is an example

- ▶ Fasten the W-lattice jib properly on the auxiliary crane.
- ▶ Unpin the retaining pins on the pulley cart.



WARNING

Crushing danger due to pulley cart!

If personnel remains in the danger zone, they can be crushed and / or limbs can be severed. Personnel can be severely injured or killed.

- ▶ Make sure that there are no persons within the danger zone.

When the retaining pins on the pulley cart are unpinned:

- ▶ Slowly lift the W-lattice jib with the auxiliary crane.

When the W-lattice jib is lifted out of the receptacles on the pulley cart:

- ▶ Remove the pulley cart.
- ▶ Place the W- boom system with the auxiliary crane on the support on the ground.
- ▶ Remove the auxiliary crane.

7.5 Opening the W-lattice jib



Note

- ▶ **Short WA-frames:** When using the short WA-frames, pin the WA-frame 1 guying at point **P48** on the W-pivot section **51**.
- ▶ **Long WA-frames:** When using the long WA-frames, pin the WA-frame 1 guying at point **P50** on the brackets of the LI-intermediate section **71**.

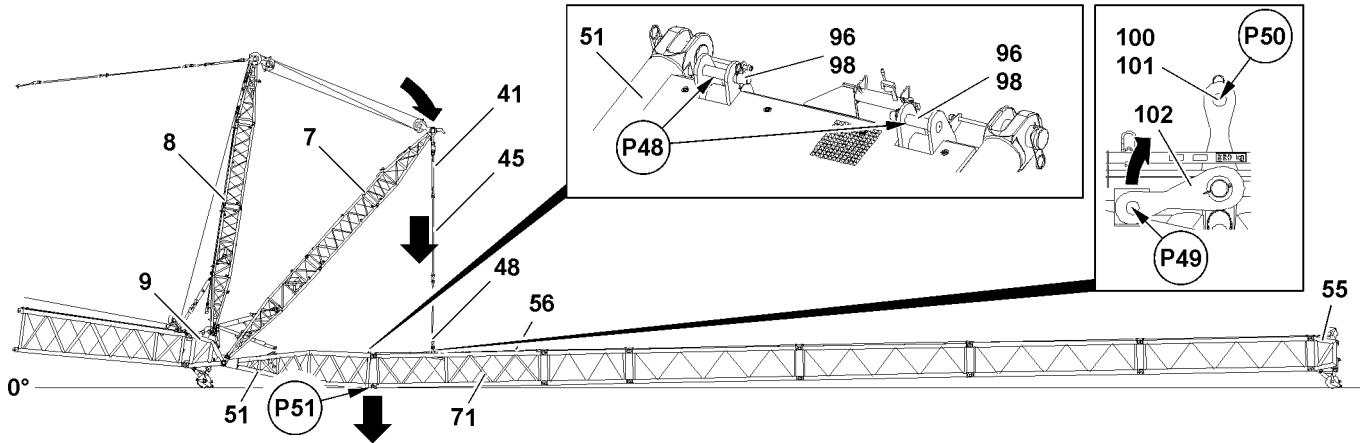


Fig.121541: Open the W-lattice jib

- ▶ Properly pin the WA-frame 1 guying on the W-pivot section **51** or on the LI-intermediate section **71**.
- ▶ Secure the pin connections properly.

When the WA-frame 1 guying is properly installed and secured:

- ▶ Carefully bring the WA-frame 1 guying to tension: Spool the W-control winch up slowly.



WARNING

Danger of accident when opening the W-lattice jib!
 Personnel can be severely injured or killed.

- ▶ Make sure, when opening or taking down the W-lattice jib, that no personnel is within the danger zone.

When the WA-frame 1 guying is tensioned:

- ▶ Release the connector pins between the W-pivot section **51** and LI-intermediate section **71** on the „bottom“ at point **P51** on both sides.
- ▶ Unpin the connector pins with the pin pulling device on the LI-intermediate section **71** „on the bottom“ on both sides, see Crane operating instructions, chapter 5.30.
- ▶ Open the W-lattice jib: Slowly spool out the W-control winch and place the W-pivot section **51** on the support on the ground.
- ▶ Release the WA-frame 1 guying on the W-pivot section **51** or on the LI-intermediate section **71**.

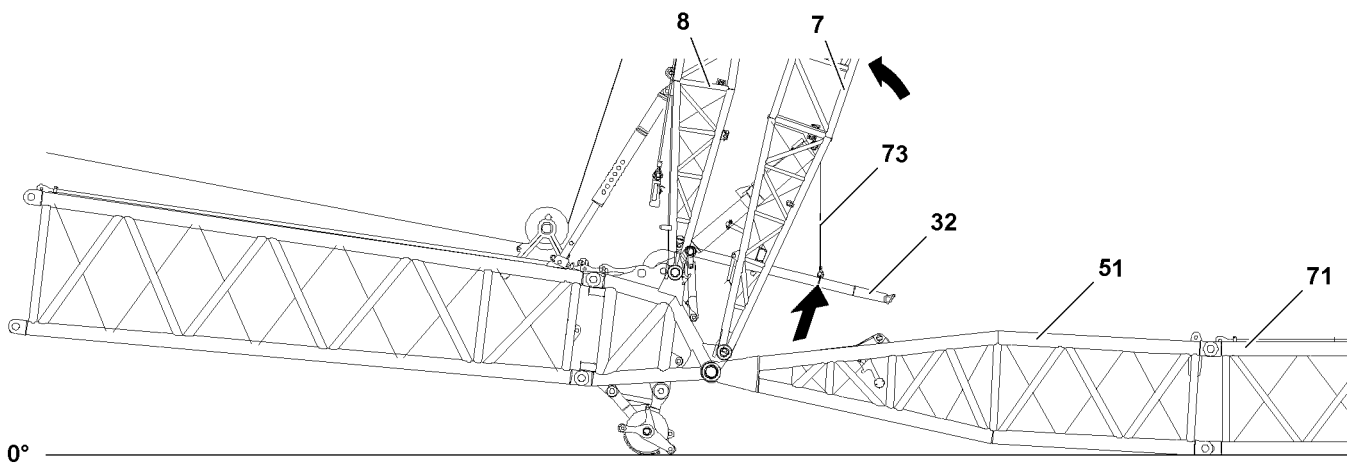


Fig.121542

- ▶ Install the retaining rope **73** on the mechanical relapse support **32**.

LWE/LR 11350-005/19004-04-02/en

When the WA-frame 1 guying is released and the retaining rope **73** is installed on the mechanical relapse support **32**:

- ▶ Pull the WA-frame 1 **7** up with the W-control winch.

Result:

- The mechanical relapse support **32** is lifted along.
- In the assembly area of the W-pivot section **51** sufficient space is available for the disassembly.

7.6 Disconnecting the electrical connections

Make sure that the following prerequisite is met:

- The W-boom is placed on the support / the supports.

NOTICE

Damage to cable drum or cable!

If the cable of the cable drum is not properly spooled up on the cable drum after disconnection on the SW-end section, the cable drum or the cable can be significantly damaged.

- ▶ Spool the cable drum up after unplugging.
-
- ▶ Spool the cable drum up and secure it to prevent inadvertent spooling out.
 - ▶ Disconnect the electrical connections and store the plugs and cables properly.

7.7 Disassembling the W-lattice jib on the W-pivot section

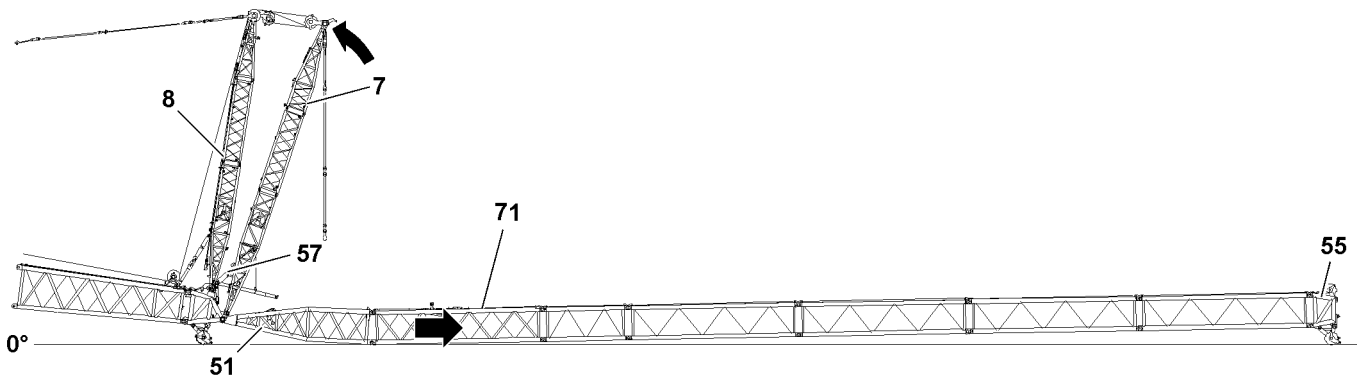


Fig.121539: Disassemble the W-lattice jib on the W-pivot section



WARNING

Crushing danger for personnel within the area of the load!

If personnel are located between the load to be lifted and a possible interfering edge when lifting a load, personnel can be severely injured or killed.

- ▶ Before lifting the load it must be ensured that there are no persons within the danger zone.
 - ▶ It is prohibited to remain within the danger zone.
 - ▶ It is prohibited for anyone to be under the load.
 - ▶ Keep a safety distance.
 - ▶ Swinging the load is prohibited.
 - ▶ Exercise extreme caution when lifting a load.
-

**WARNING**

General danger notes!

If the following danger notes are not observed, severe accidents can occur.

Personnel can be severely injured or killed.

- ▶ Make sure that the W-lattice jib is supported from below during the assembly and disassembly with suitable materials.
- ▶ Make sure that all pins are properly pinned and secured after assembly.
- ▶ Make sure that the guy rods are properly installed and secured.
- ▶ The guy rods must be checked regularly, see Crane operating instructions, chapter 8.15.

**Note**

- ▶ During disassembly of the W-lattice jib, adhere to the unpinning sequence, see Crane operating instructions, chapter 5.01.

Make sure that the following prerequisites are met:

- The function of the relapse cylinder **57** is ensured.
- The WA-frame **2 8** is guyed.

To unpin the W-lattice jib with the pin pulling device, see Crane operating instructions, chapter 5.30.

**WARNING**

Danger of accident due to lattice sections!

If the danger notes for the assembly / disassembly of the W-lattice sections in the Crane operating instructions, chapter 5.01 are not observed, personnel can be hurt.

Personnel can be severely injured or killed.

- ▶ Make sure that the danger notes for disassembly of the W-lattice sections in the Crane operating instructions, chapter 5.01 are adhered to.
- ▶ Disassemble the W-lattice jib properly.

7.8 Unpinning the W-pivot section

Make sure that the following prerequisites are met:

- The electrical connections are properly disconnected.
- The W-lattice jib has been disassembled.
- The W-pivot section **51** is laying on the ground on the support.

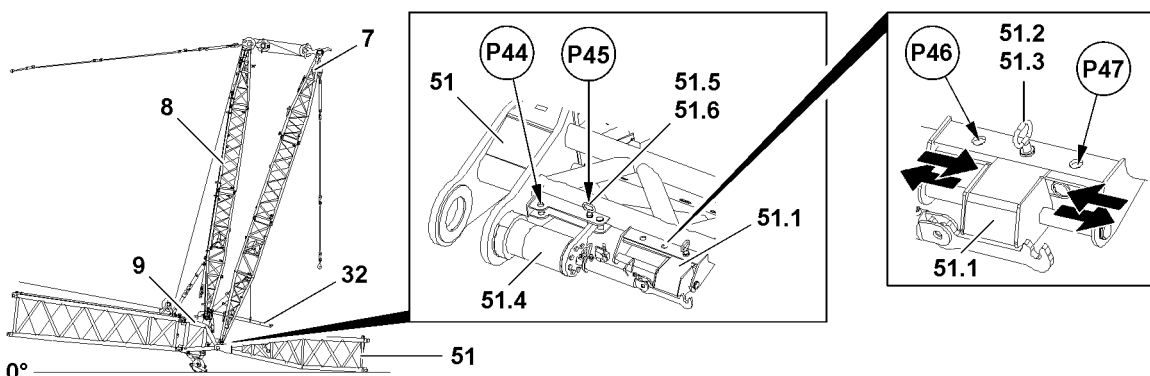


Fig.121532: Disassemble the W-pivot section on the W-connector head

- ▶ Attach the W-pivot section **51** properly on the auxiliary crane, observe section „Fastening points“.

When the fastening equipment is properly fastened on W-pivot section **51**:

- ▶ Tension the fastening equipment.

**Note**

- ▶ The weight of the W-pivot section is: 12.6 t

**WARNING**

Falling W-pivot section!

If the W-pivot section **51** is unpinned before the fastening equipment is tensioned, the W-pivot section **51** can fall down.

Personnel can be severely injured or killed.

- ▶ Make sure that the fastening equipment is tensioned before the W-pivot section **51** is unpinned on the W-connector head **9**.

When the fastening equipment is tensioned:

- ▶ Release the connector pins on both sides: Release the retaining pins and unpin on both sides.

When the retaining pins are completely removed on both sides:

- ▶ Unpin the connector pins between the W-pivot section **51** and the W-connector head **9** on both sides with the pin pulling device, see Crane operating instructions, chapter 5.30.

When the connector pins are fully unpinned on both sides:

- ▶ Swing the W-pivot section **51** out with the auxiliary crane.
- ▶ Place the W-pivot section **51** on a load bearing support on the ground or on the transport vehicle.
- ▶ Remove the auxiliary crane.

7.9 Disassembling the W-guy rods on the WA-frame 1

Make sure that the following prerequisites are met:

- The W-pivot section is disassembled on the W-connector head.
- The WA-frame 1 is lowered to the front.

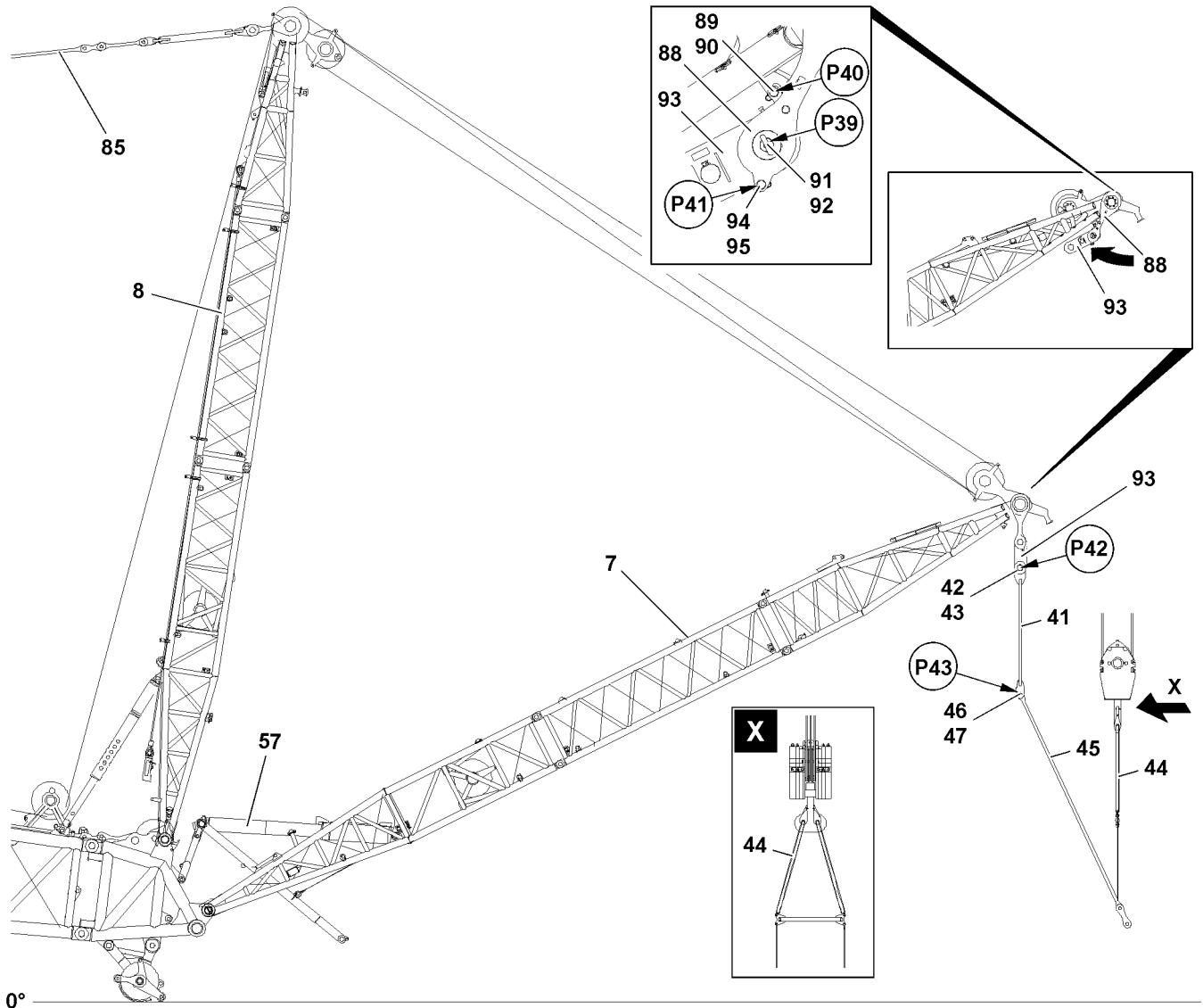


Fig.121538: Disassemble the WA-frame 1 guy rods // bring the pull test bracket in transport position

- ▶ Hang the cross bar **44** on the WA-frame 1 guy rods **45**.
- ▶ Lift the WA-frame 1 guy rods **45** with the auxiliary crane and simultaneously lower the WA-frame 1 **7**.

When the WA-frame 1 guy rods are laying on the ground:

- ▶ Unpin the WA-frame 1 guy rods **45**.
- ▶ Hang the cross bar **44** on the WA-frame 1 guy rods **41**.
- ▶ Lift the WA-frame 1 guy rods **41** with the auxiliary crane and simultaneously lower the WA-frame 1 **7**.

When the WA-frame 1 guy rods **41** are laying on the ground:

- ▶ Unpin the WA-frame 1 guy rods **41**.
- ▶ Place the guy rods for transport on the LI-lattice sections and properly secure them in the transport retainers.
- ▶ Secure the pull test bracket **93** in transport position at point **P41** properly: Insert the transport retaining pin **94** at point **P41** and secure properly with spring retainer **95**.

- ▶ Secure the bracket **88** on the WA-frame 1 end section at point **P40** properly: Insert the transport retaining pin **89** at point **P40** and secure properly with spring retainer **90**.

7.10 Unpinning the WA-frame 2 relapse supports

Make sure that the following prerequisites are met:

- The WA-frame 1 guy rods are disassembled.
- The pull test brackets on the WA-frame 1 end section are in transport position.
- The brackets on the WA-frame 1 end section are in transport position.

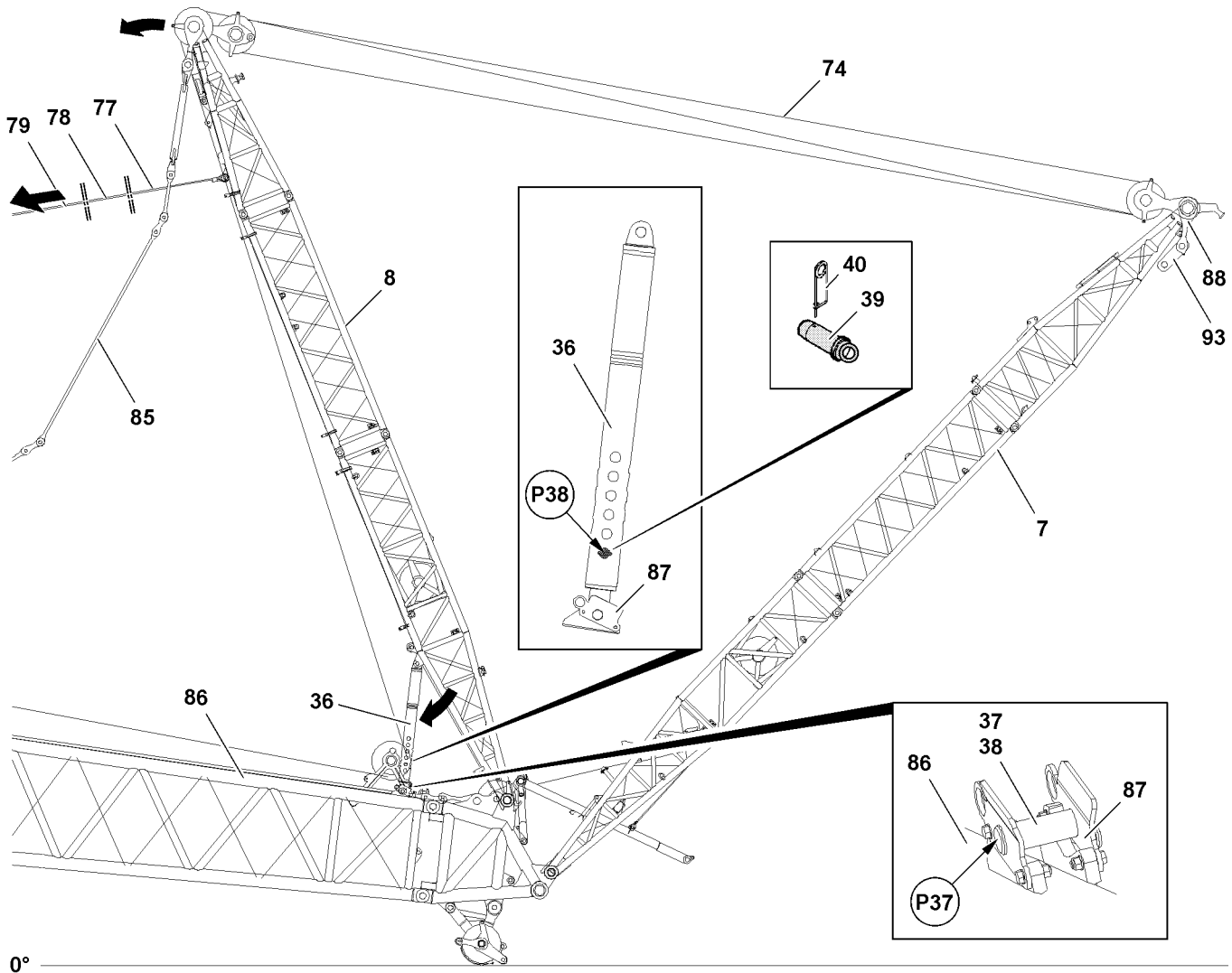


Fig.121543: Unpinning the relapse supports

- ▶ Pull the WA-frame 1 **7** up until the relapse cylinder **57** has built up sufficient pressure.
- ▶ Release the assembly rope on the WA-frame 2 **8**.
- ▶ Spool out the hoist rope **79** and hang it on the lock of the assembly rope and tension.

NOTICE

Damage of hoist rope and / or of WA-frame 2 **8**!

If the connecting pin **39** on the relapse supports **36** is not unpinned before pulling the WA-frame 2 **8** back with the hoist rope **79**, then the hoist rope or the WA-frame 2 **8** can be damaged. There is no shut off of the hoist winch.

- ▶ Unpin the connecting pins **39** on both sides before pulling the WA-frame 2 **8** back.
- ▶ Remove the spring retainer **40** and unpin the connecting pin **39**.
- ▶ Make sure that the hoist winch is spooled up slowly and with utmost caution.

- ▶ Spool the W-control rope out and simultaneously spool the hoist rope **79** up until the relapse supports **36** are pushed together completely.

When the relapse support is completely pushed together:

- ▶ Insert the connecting pins **39** again on both sides in park position point **P38** and secure.
- ▶ Unpin the relapse supports **36** on the S-boom: Remove spring retainers **38** and unpin pins **37**.
- ▶ Spool up the W-control rope **74** and simultaneously spool out the hoist rope **79** until the WA-frame **2 8** is vertical.

When the WA-frame **2 8** is standing vertically:

- ▶ Fasten the relapse supports **36** with the rigging / tension belts on the WA-frame **2**.

7.11 Unpinning the WA-frame 2 guy rods

Make sure that the following prerequisites are met:

- The WA-frame 2 relapse support 36 is rigged properly on the WA-frame 2 8
- The auxiliary crane is properly fastened on the WA-frame 2 8 at point P33



WARNING

Danger of accident due to WA-frames!

- ▶ Make sure that the WA-frame 1 7 stays in position while the WA-frame 2 8 is pulled back.

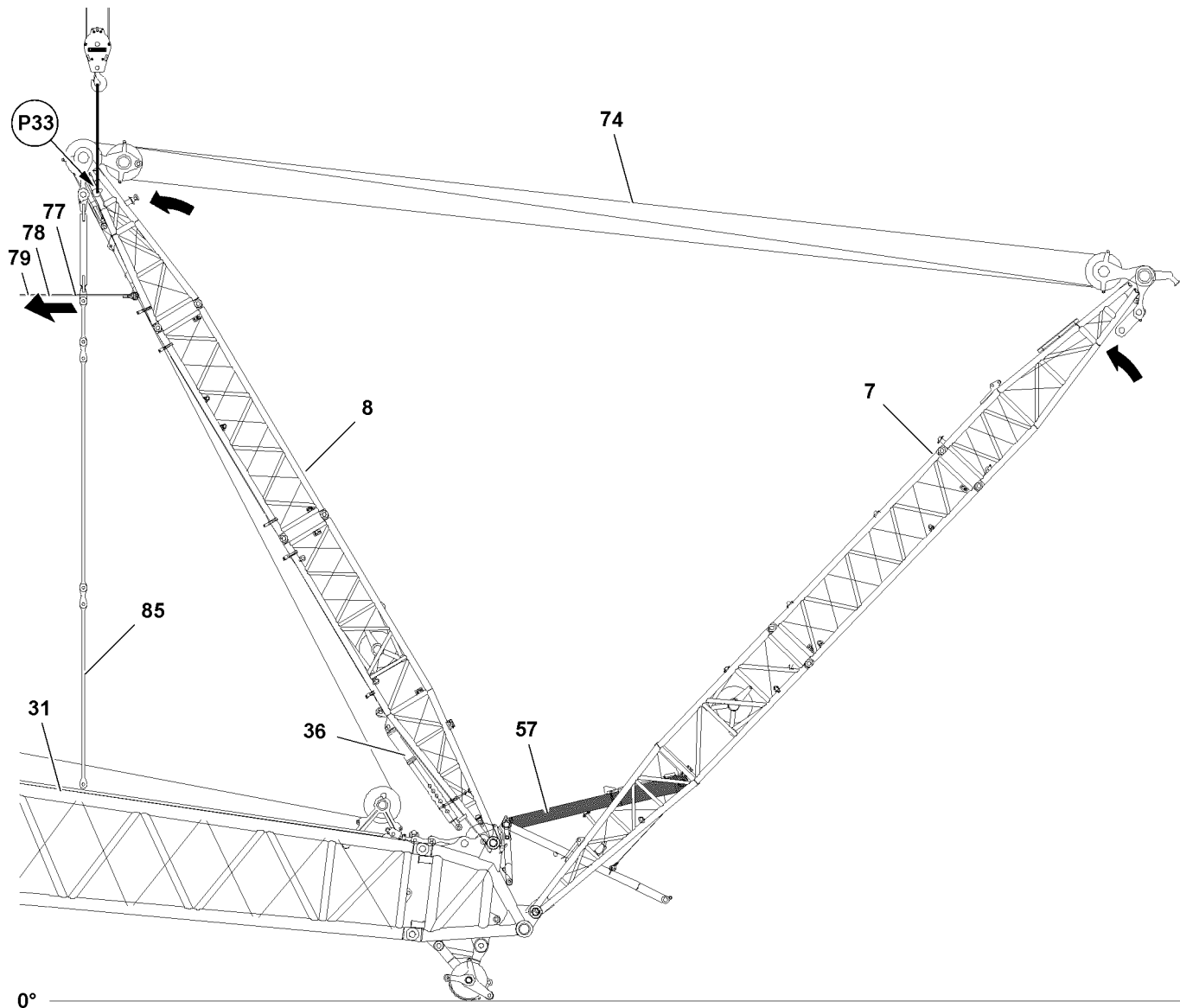


Fig.121544: Unpinning the WA-frame 2 guy rods

- ▶ Pull the WA-frame 2 8 back with the hoist rope 79 and spool the W-control winch out simultaneously.

When the WA-frame 2 guy rods are laying on the S-lattice sections:

- ▶ Release and unpin the WA-frame 2 guy rods 85 on the WA-frame 2 guy rods 31.

**Note**

- ▶ The WA-frame 2 guy rods **85** are attached for transport on the WA-frame 2 **8**.
- ▶ The WA-frame 2 guy rods **31** are placed for transport in the transport receptacles of the S-lattice sections and secured.

7.12 Placing the WA-frames down

Make sure that the following prerequisite is met:

- The auxiliary crane is properly fastened on the WA-frame 2 **8** at point **P33**.

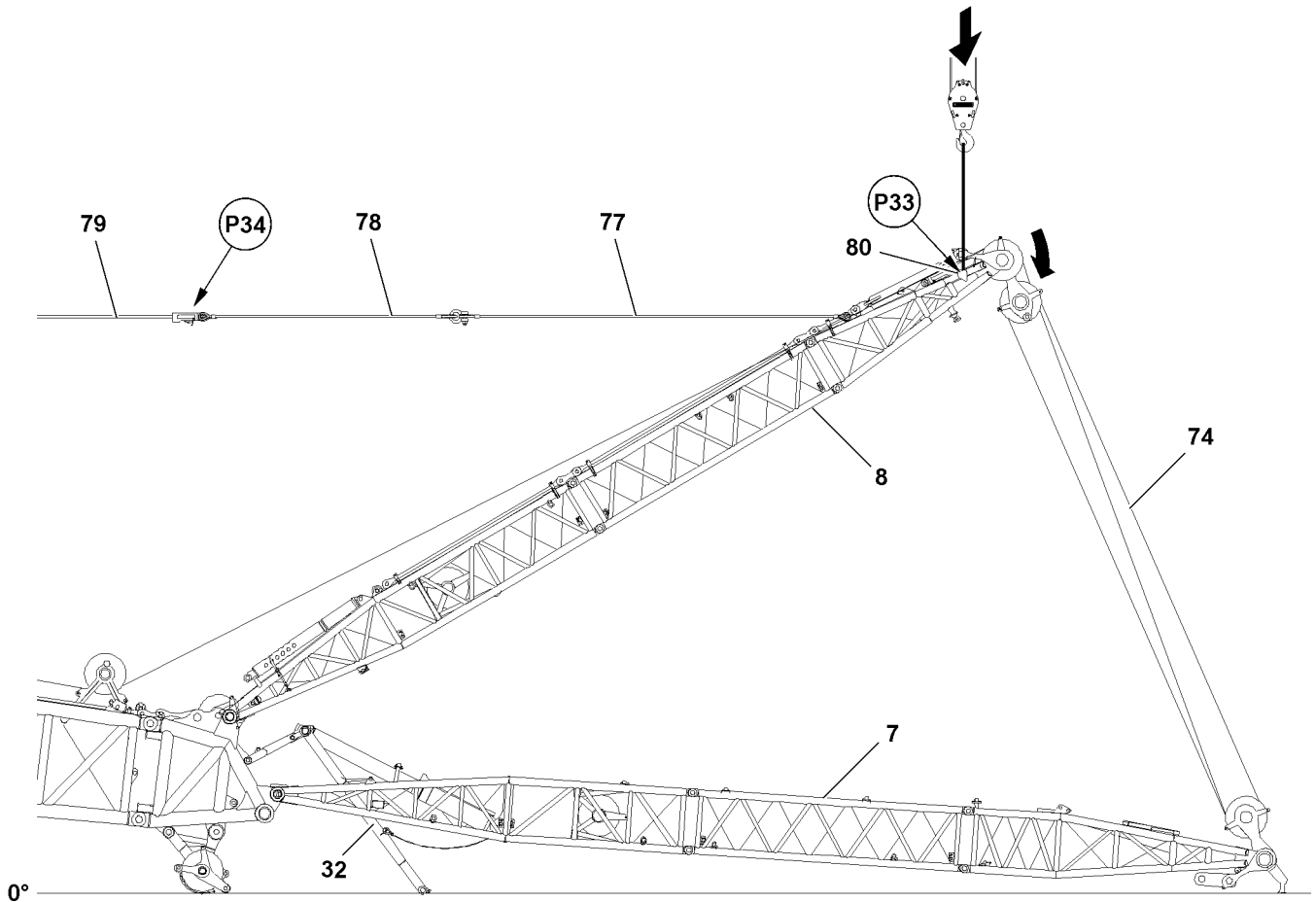


Fig.121582: Place the WA-frames down

**WARNING**

WA-frame 2 can tip forward!

If the WA-frame 2 is erected for disassembly with the W-control and pulled forward past the vertical position, then the WA-frame 2 can fold forward by itself.

Personnel can be severely injured or killed.

- ▶ Make sure that the hoist rope is attached properly on the assembly rope.
 - ▶ Make sure that the auxiliary crane - to secure WA-frame 2 - is properly fastened on the WA-frame 2 at point **P33**.
 - ▶ Make sure that the WA-frame 1 remains in position when spooling the W-control winch up.
-
- ▶ Spool the W-control rope up and simultaneously spool out the hoist rope **79** until the WA-frame 2 is vertical.

**Note**

- ▶ Retain the angle between the WA-frame 1 and WA-frame 2 when placing the WA-frame 1 on the ground.

NOTICE

Damage of relapse support!

When placing the WA-frame 1 on the ground, the relapse support **32** can be damaged.

- ▶ Make sure that the ground in the placement area of WA-frame 1 and the relapse support **32** is level and free of objects.
- ▶ Place a low-friction base under the relapse support **32**.

NOTICE

Danger of property damage and slack rope formation!

If lowering the WA-frames is carried out by spooling the hoist rope **79** out, then the hoist rope **79** can be overloaded and severely damaged.

- ▶ Make sure that the WA-frame 2 **8** is solely lowered further with the auxiliary crane, at least when reaching the 45° position to the horizontal. Further lowering with the hoist rope **79** is prohibited.
- ▶ Make sure that the hoist rope **79** is relieved.
- ▶ When lowering the WA-frame 2 with the auxiliary crane, make sure that the hoist rope **79** is spooled out slowly and with even speed to avoid slack rope formation on the hoist rope **79**.

When the WA-frame 2 has reached the vertical position:

- ▶ Spool the hoist rope out slowly.

Result:

- The WA-frame 1 lowers in direction to the ground.

When the WA-frame 2 has reached the 45° position to the horizontal:

- ▶ Continue to lower the WA-frames further with the auxiliary crane.

When the relapse support **32** touches the ground:

- ▶ Continue to spool out the hoist rope until the WA-frame 1 is laying completely on the ground.

**WARNING**

WA-frame 2 folding down!

If the WA-frame 2 is lowered to the front without being secured by the auxiliary crane, then the WA-frame 2 can fall down.

Personnel can be severely injured or killed.

- ▶ Make sure that the WA-frame 2 is secured with the auxiliary crane when lowering it.
- ▶ Make sure that there are no persons within the danger zone.

When the WA-frame 1 is laying on the ground:

- ▶ Place the WA-frame 2 on WA-frame 1: Spool the hoist rope out and simultaneously spool the control winch up.

When the WA-frame 2 is laying on the WA-frame 1:

- ▶ Unhook the hoist rope **79** on the lock **82** of the assembly rope **74**

NOTICE

Danger of slack rope formation!

- ▶ Make sure that the hoist rope is secured against slack rope formation after disengaging it on the lock of the assembly rope.

- ▶ Spool the hoist rope **79** up on the winch.
- ▶ Attach the assembly rope **78** on the WA-frame 2 **8** in transport position.
- ▶ Remove the auxiliary crane on the WA-frame 2 **8** at point **P33**.

7.13 Pinning the relapse support on the relapse cylinder

Make sure that the following prerequisites are met:

- The pin **71** is unpinned on the transport retainer at point **P31**.

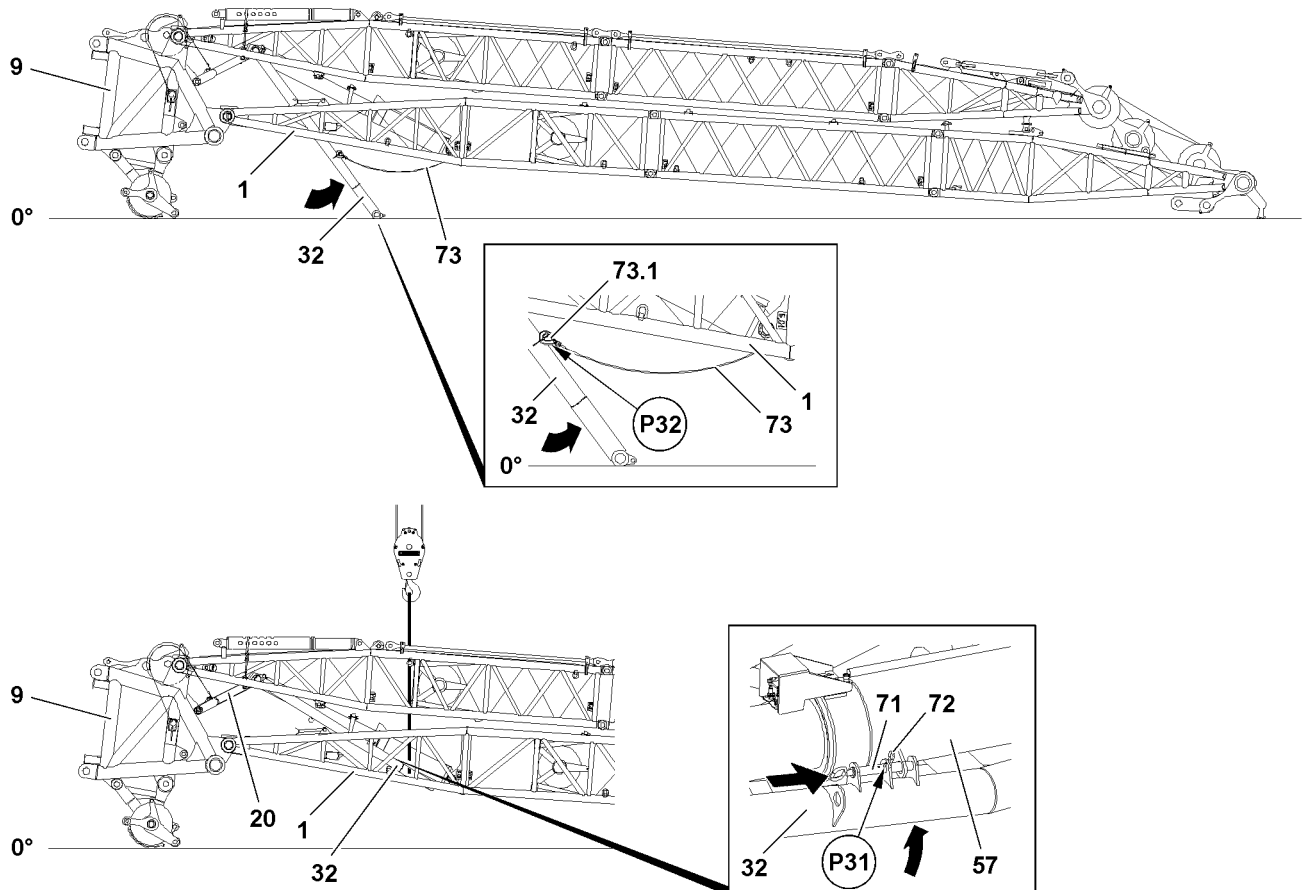


Fig.121545: Lift the relapse support **32** with the auxiliary crane and pin on the relapse cylinder **57**.

- ▶ Fasten the auxiliary crane properly on relapse support **32**.



WARNING

Unsecured relapse support **32**!

If the relapse support **32** is not properly held by the auxiliary crane then the relapse support **32** can fall down.

Personnel can be severely injured or killed.

- ▶ Make sure that the relapse support **32** is properly pinned and secured on the relapse cylinder **57** before the auxiliary crane is removed.
- ▶ Make sure that there are no persons within the danger zone.

- ▶ Lift the relapse support **32** with the auxiliary crane to the pin position on the relapse cylinder **57**.

When the relapse support **32** is safely held in pin position by the auxiliary crane:

- ▶ Insert the pin **71** on point **P31** and secure with spring retainer **72**.

When the relapse support **32** is properly pinned and secured on the relapse cylinder **57**:

- ▶ Remove the auxiliary crane.
- ▶ Fasten the WA-frame 2 guy rods properly on the WA-frame 2.
- ▶ Secure the WA-frame 2 guy rods properly in the transport receptacles of the S-lattice sections.

7.14 Unreeving the W-control rope

Make sure that the following prerequisites are met:

- The retaining frame **20** is pinned and secured on the W-connector head **9**.
- The W-control rope **74** is unhooked on the lock.
- The rope retaining pins **23** and the rope retaining pins on the rope pulleys **27** are unpinned.
- The W-pulley blocks are lifted by an auxiliary crane for better reeving.

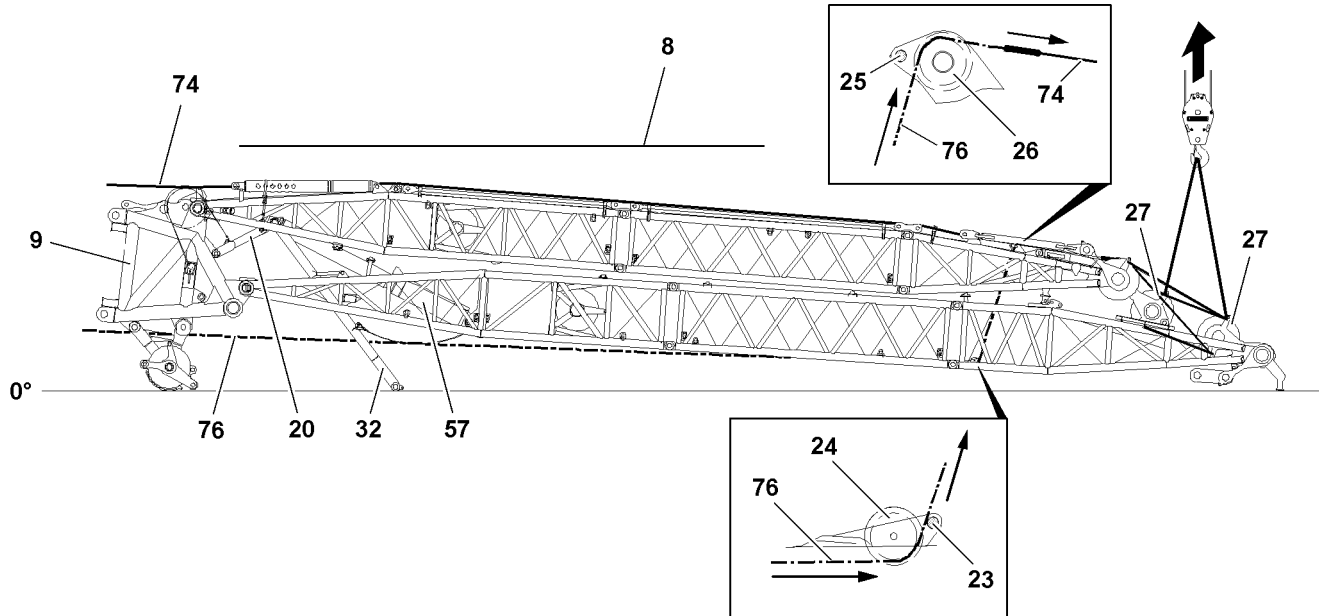


Fig.121547: Unreeve the W-control rope

NOTICE

Slack rope formation!

The W-control rope **74** can be damaged if any ropes are slack.

- ▶ Do not allow slack rope formation when spooling the W-control rope **74** up.
- ▶ When spooling the W-control rope **74** up, keep the rope tight.

- ▶ Connect the auxiliary rope **76** with the reeving rope **75**.
- ▶ Run the reeving rope **75** over change over pulley **24** and over the change over pulley **26**.
- ▶ Connect the reeving rope **75** with the W-control rope **74**.
- ▶ Spool up the W-control rope **74** and simultaneously spool out the auxiliary rope **76** and reeve the reeving rope **75** in the rope pulleys **27**.
- ▶ Spool up the W-control rope **74** until it is reeved out of the rope pulleys **27** and is laying on the WA-frame 2 head.

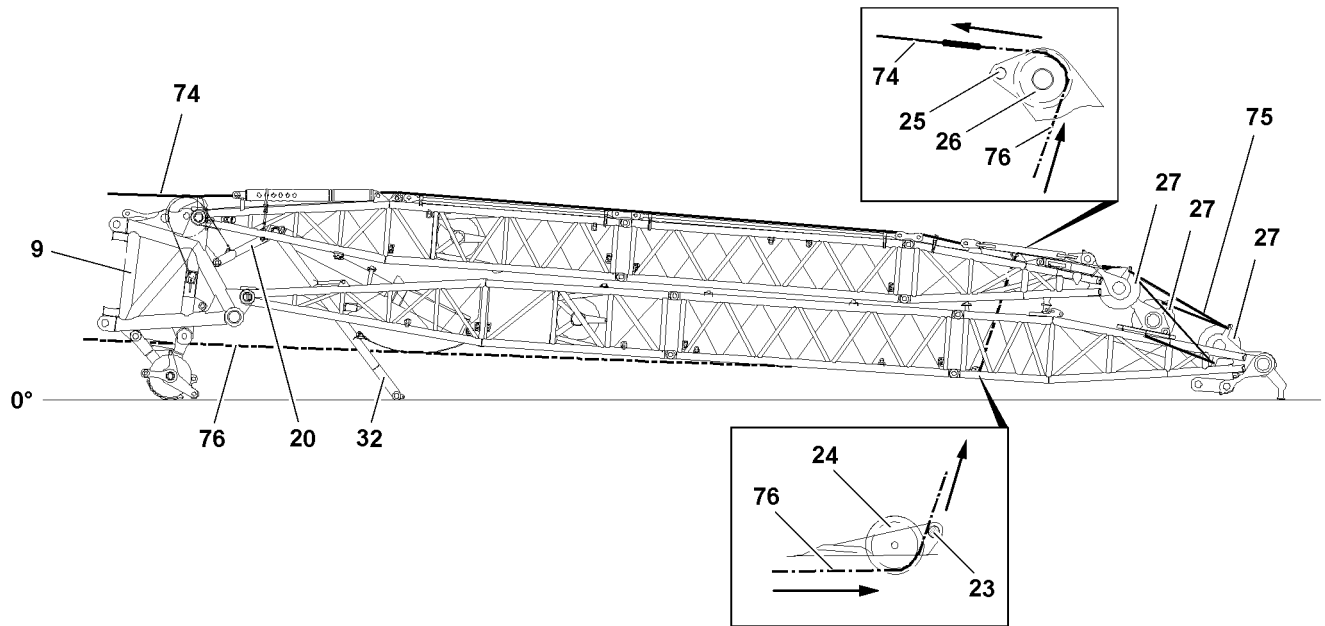


Fig.121546: Unreeve the W-control rope

- ▶ Release the reeving rope **75** on the W-control rope **74**.
- ▶ Release the connection from the auxiliary rope **76** and the reeving rope **75**.
- ▶ Place the auxiliary rope over change over pulley **24** and over the change over pulley **26**.
- ▶ Establish the connection from the auxiliary rope **76** and the W-control rope **74**.
- ▶ Install the rope retaining pins on the rope pulleys.

7.15 Disassemble the retaining frame on the W-connector head

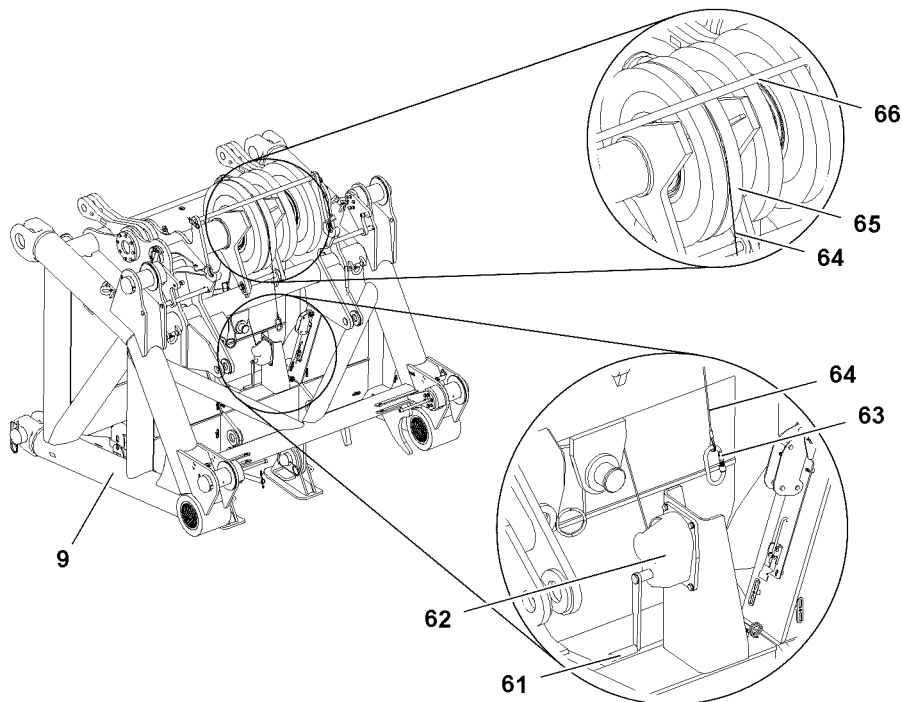


Fig.114713: Remove the retaining frame on the W-connector head - spool the wire rope out

Make sure that the following prerequisites are met:

- The WA-frames are pinned and secured on the W-connector head **9**.
- The WA-frames are placed on the ground.
- ▶ Install the hand crank **61** on the manual winch **62**.
- ▶ Remove the snap hook **63** on the eye of the wire rope **64**.
- ▶ Spool the wire rope **64** out and guide it from the rear over the rope pulley **65** to the front.
- ▶ Guide the wire rope **64** between the rope pulley **65** and retaining pipe **66**.

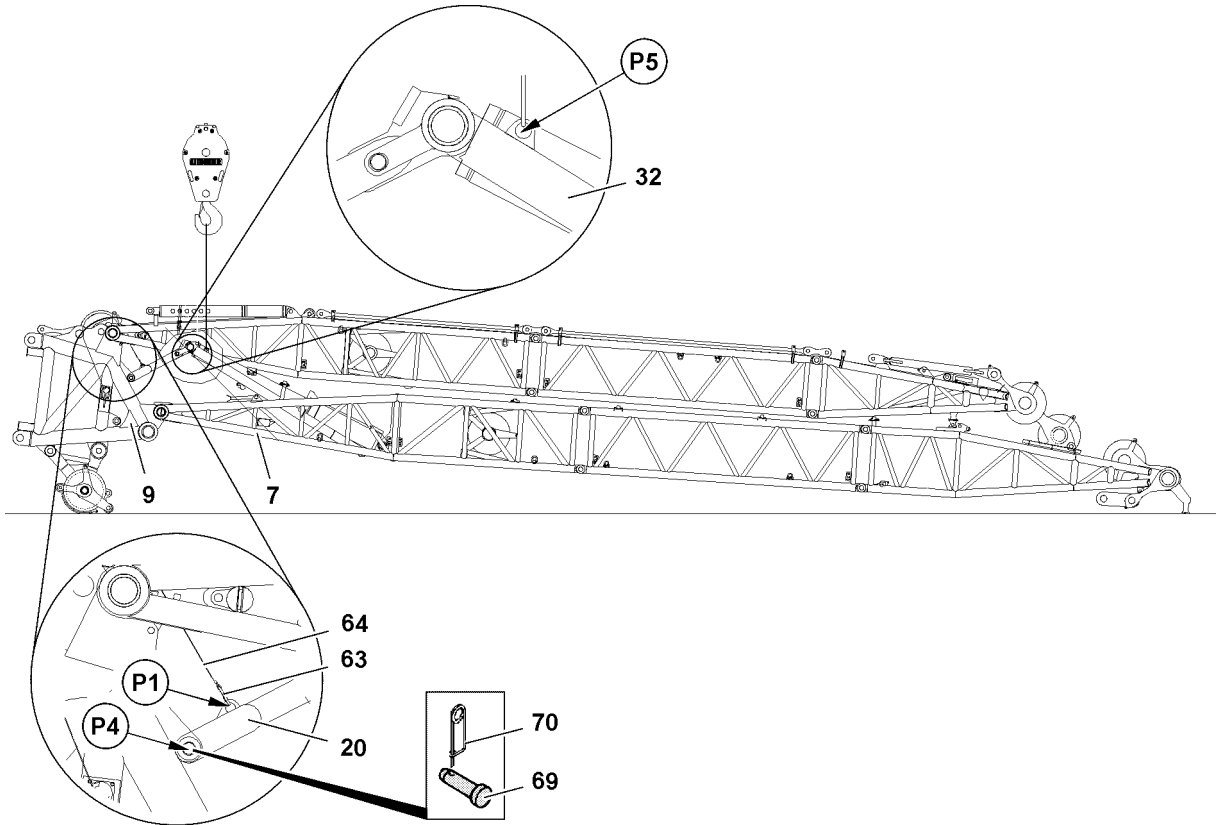


Fig.114715: Remove the retaining frame on the W-connector head - remove the retaining frame on the W-connector head

- ▶ Spool the wire rope **64** out to point **P1**.
- ▶ Connect the wire rope **64** via the snap hook **63** on point **P1** with the retaining frame **20**.



WARNING

Wire rope **64** and fastening equipment are **NOT** tensioned!

Before unpinning of the retaining frame **20** the fastening equipment and the wire rope **64** must be tensioned or the retaining frame **20** will fall down suddenly.

Personnel can be severely injured or killed.

- ▶ Make sure that the wire rope **64** and the fastening equipment are slightly tensioned.
- ▶ Fasten the auxiliary crane on relapse support **32**: Attach the fastening equipment on both sides on point **P5** of the relapse support **32**.
- ▶ Unpin the retaining frame **20** on the W-connector head **9**: Release pins **69** on both sides on point **P4** and unpin.

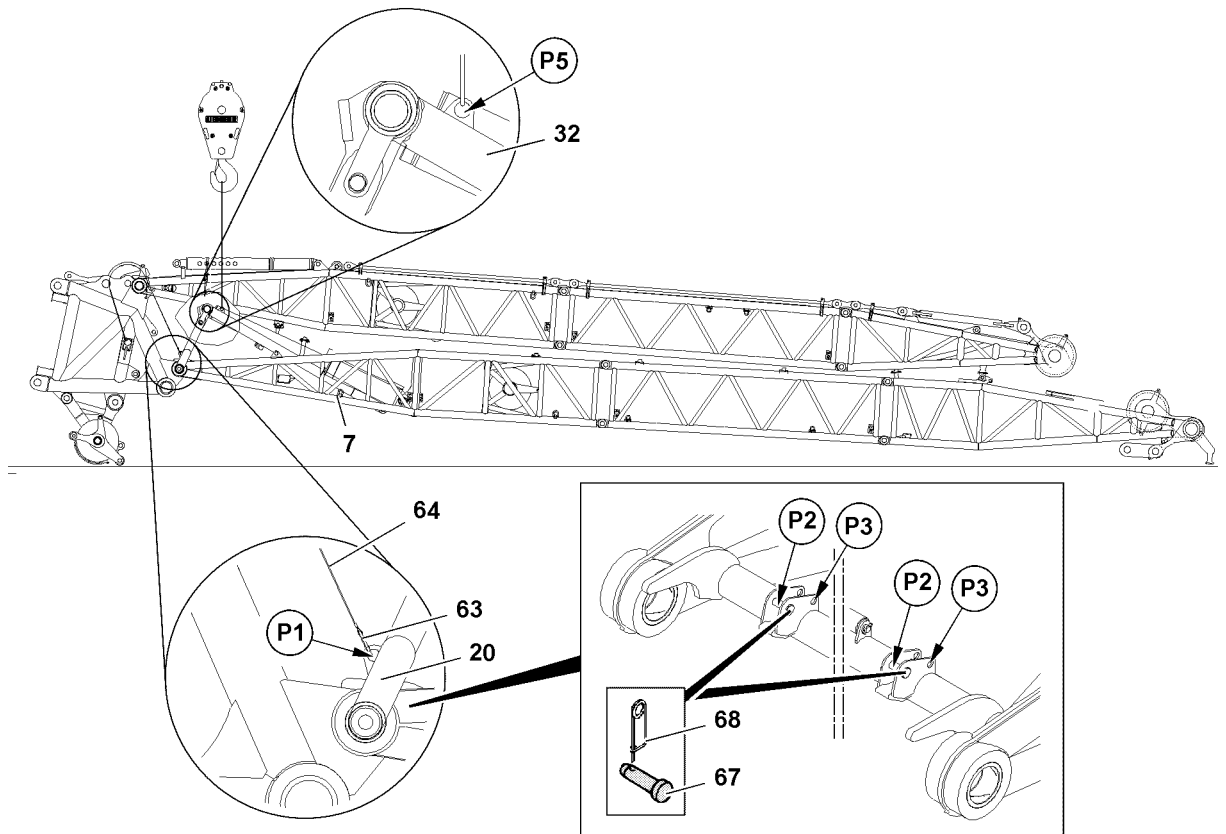


Fig.114711: Remove the retaining frame on the W-connector head - install the retaining support on the WA-frame 1

- ▶ Lower the retaining frame **20** with the manual winch **62** until it can be pinned on point **P2**.
- ▶ Release the pin **67** on point **P3** and unpin.
- ▶ Pin the retaining frame **20** with the WA-frame 1 **7**: Insert the pins **67** on both sides on point **P2** and secure with spring retainer **68**.
- ▶ Remove the snap hook **63** on the retaining frame **20**: Screw on the screw retainer and remove the snap hook **63** on point **P1**.
- ▶ Remove the fastening equipment from the relapse support **32** on point **P5**.

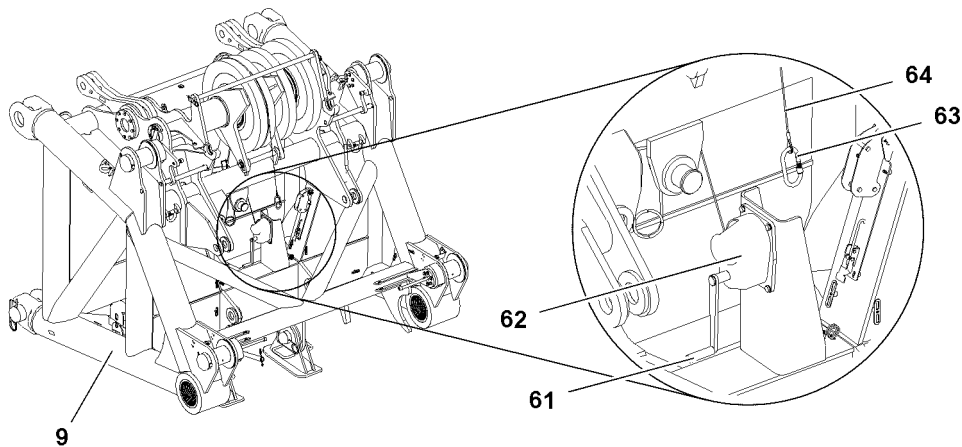


Fig.114714: Remove the retaining frame on the W-connector head - spool the wire rope up

- ▶ Spool the wire rope **64** up completely.
- ▶ Remove the hand crank **61** from the manual winch **62**.
- ▶ Install the snap hook **63** on the eye of the wire rope **64**.

7.16 Unpinning the WA-frames on the W-connector head

- ▶ Hang the auxiliary crane on the relevant studs of the WA-frames.



Note

- ▶ The total weight of the WA-frames is approximately: 33 t.

NOTICE

Danger of property damage!

If the WA-frame 2 pivot section is **not** unpinned at point **P22** before lowering the WA-frames, then damage can occur in the area of the pin bores and on the lattice sections.

- ▶ Make sure that the connector pins are unpinned at point **P22** before lowering the WA-frames.

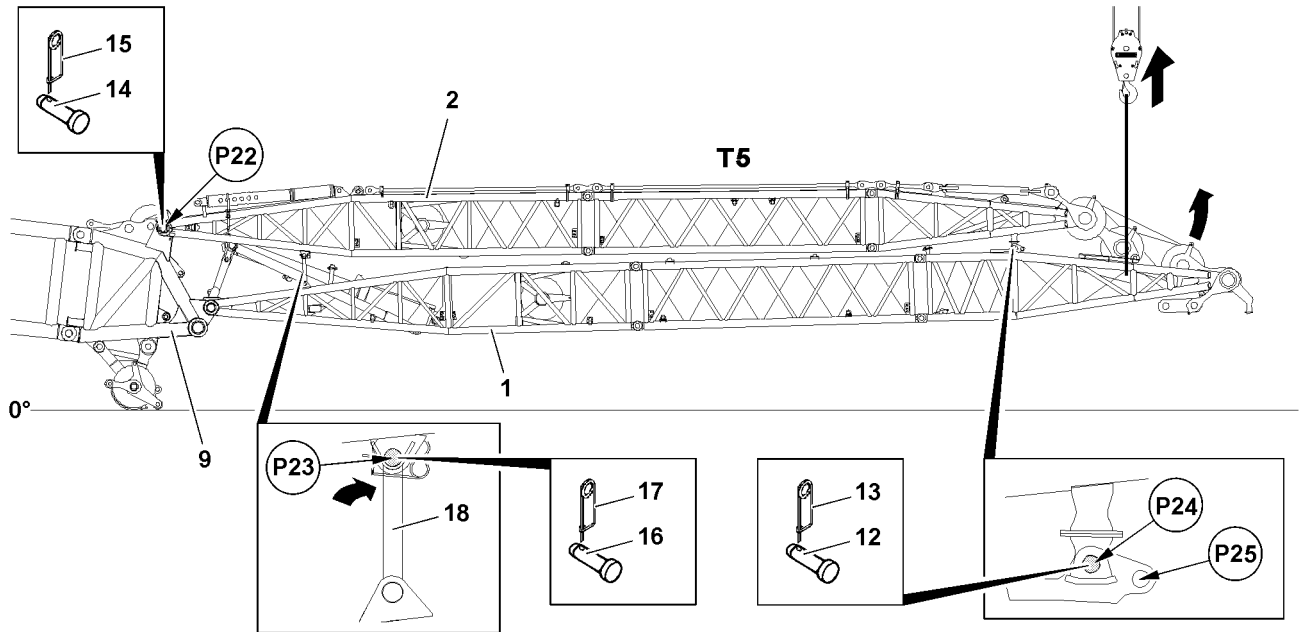


Fig.121548: Pin the WA-frame 2 with the WA-frame 1 for transport

- ▶ Lift the WA-frames with the auxiliary crane until the bores on the transport retainer align at point **P24**.
- ▶ Unpin the pin **12** from the park position at point **P25** and insert and secure on both sides in the transport retainer at point **P24**.



WARNING

Crushing danger due to tipping the WA-frame 2 7!

If the WA-frame 2 7 is uninned at point **P22** without having erected the supports **18** then the WA-frame 2 7 tips downward.

Limbs can be crushed or severed.

Personnel can be severely injured or killed.

- ▶ Make sure that the WA-frame 2 7 is uninned at point **P22** only when the supports **18** are set up on both sides and secured.
- ▶ Fold the support **18** up on both sides.
- ▶ Insert the pin **16** on both sides at point **P23** and secure with spring retainer **17**.
- ▶ Lift the WA-frames (transport unit **T5**) and unpin the WA-frame 2 pivot section **8** at point **P22** on the W-connector head **9**: Release and unpin the pins **14** on both sides, see Crane operating instructions, chapter 5.30.

When the WA-frame 2 8 with the WA-frame 2 pivot section is properly uninned on the W-connector head **9**:

- ▶ Lower the WA-frames (transport unit **T5**) with the auxiliary crane on the ground.

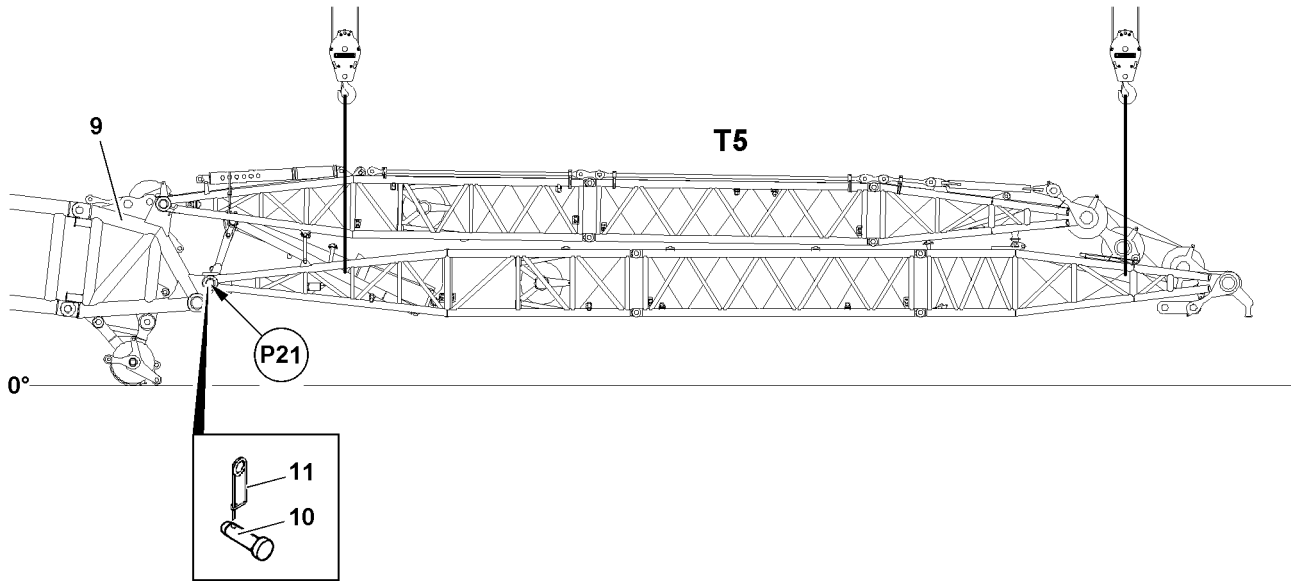


Fig.121238: Unpin the transport unit **T5** at point **P21** on the W-connector head **9**.

- Lift the WA-frames (transport unit **T5**) and unpin the WA-frame 1 pivot section **7** at point **P21** on the W-connector head **9**: Release and unpin the pins **10** on both sides, see Crane operating instructions, chapter 5.30.

When the transport unit **T5** is completely unpinned on the W-connector head **9**:

- Swing the transport unit **T5** out on the W-connector head **9** and place it on the support on the ground.

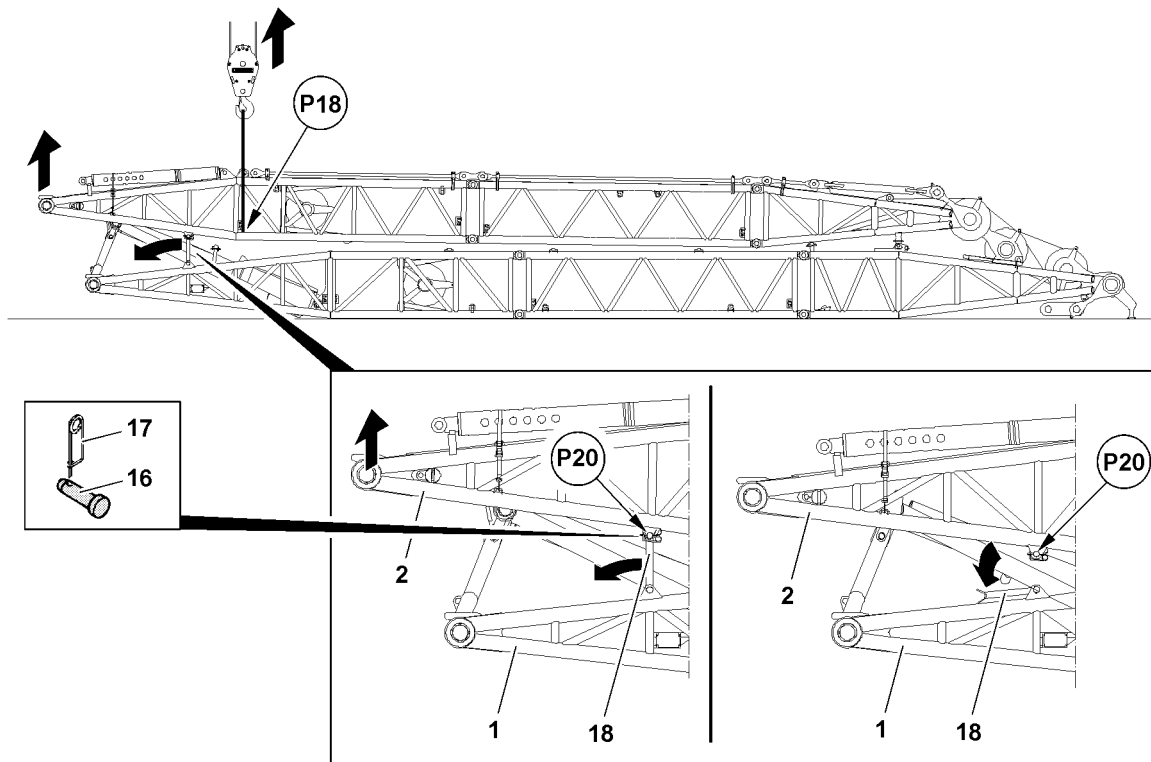


Fig.121581: Place the support **18** on the WA-frame 1 pivot section **1**.

When the transport unit **T5** is placed on the support on the ground:

- Fasten the auxiliary crane on the studs of the WA-frame 2 pivot section **2** at point **P18**.

When the WA-frame 2 pivot section **2** is fastened on the auxiliary crane:

- ▶ Carefully lift the WA-frame 2 with the auxiliary crane and place the support **18** down on both sides.

When the supports are placed down on both sides in park position:

- ▶ Place the WA-frame 2 on the WA-frame 1.

When the WA-frame 2 is laying completely on the WA-frame 1:

- ▶ Remove the auxiliary crane.

7.17 Preparing the WA-frames for transport

Make sure that the following prerequisites are met:

- The WA-frames are properly removed on the W-connector head.
- The WA-frame 1 is laying completely on the WA-frame 2.
- The supports **18** are placed down on both sides in park position.

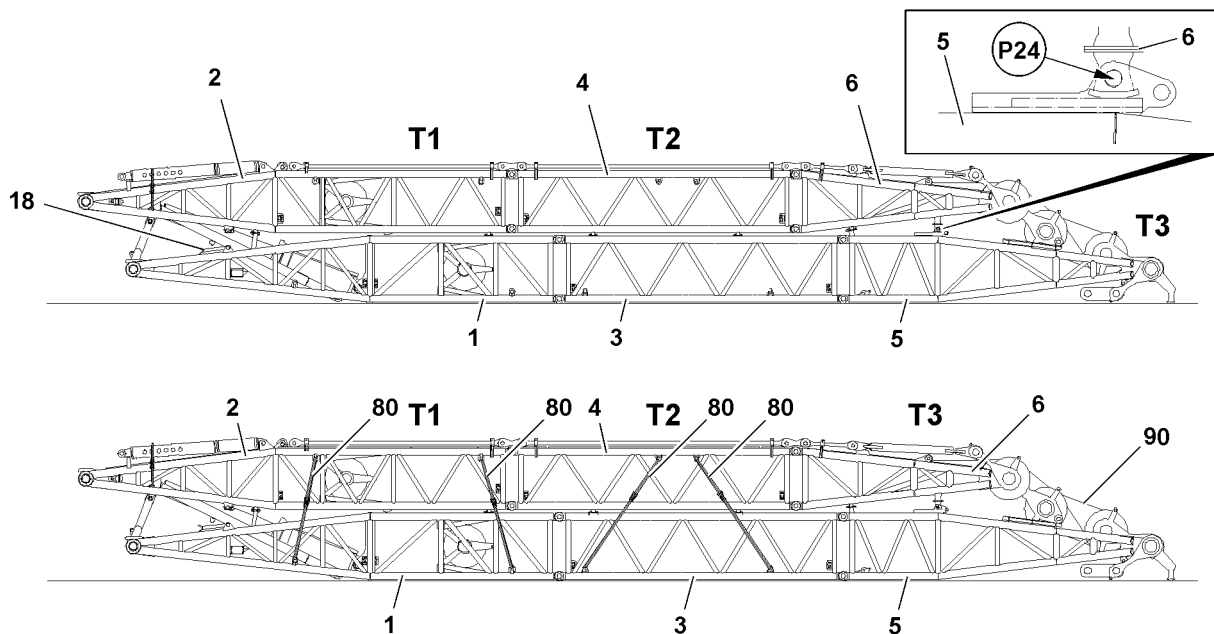


Fig.121549: Rig the WA-frames with rigging / tension belts and prepare for transport

- ▶ Rig the WA-frame 1 pivot section **1** and WA-frame 2 pivot section **2** (transport unit **T1**) with rigging / tension belts **80** properly on both sides.
- ▶ Rig the WA-frame 1 intermediate section **3** and WA-frame 2 intermediate section **4** (transport unit **T2**) with rigging / tension belts **80** properly on both sides.

7.18 Disassembling the WA-frames

Make sure that the following prerequisites are met:

- The WA-frames are properly pinned and secured on the WA-frame end sections at point **P24**.
- The WA-frames are properly rigged on both sides with the rigging / tension belts **80**.

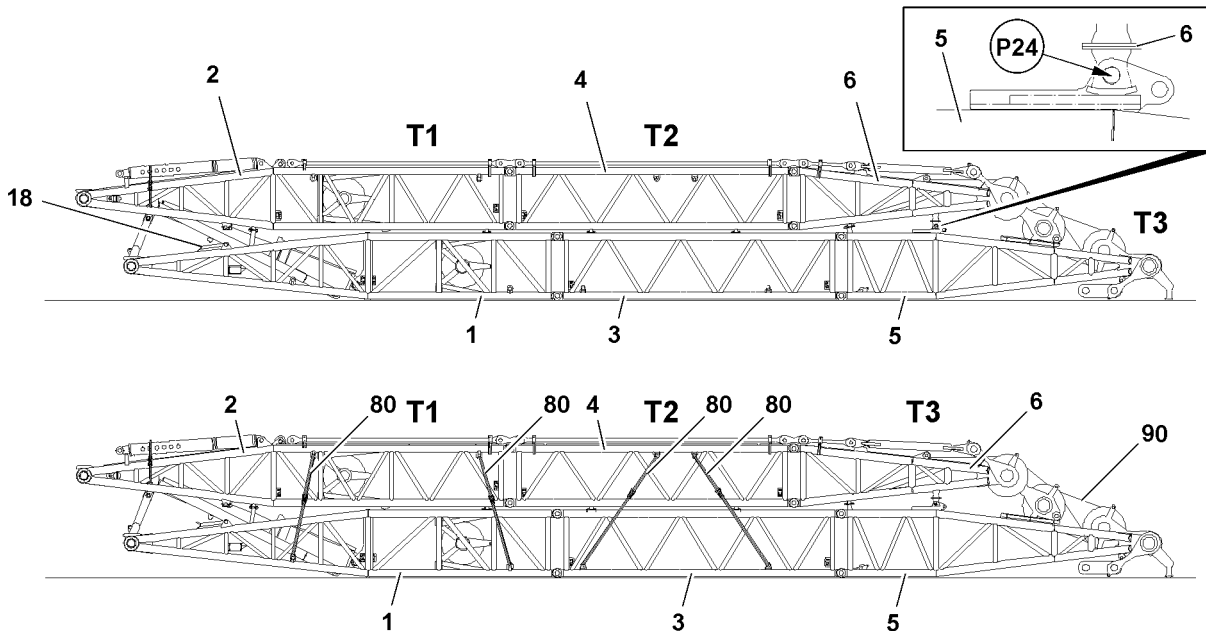


Fig.121549: WA-frames rigged with rigging / tension belts and prepared for disassembly



Note

- ▶ For disassembly of the WA-frames, observe section „Fastening points“.

- ▶ Fasten the auxiliary crane properly on the transport unit **T1**.
- ▶ Carefully bring the fastening equipment to tension.

When the fastening equipment is tensioned:

- ▶ Unpin the connector pin between the transport unit **T1** and transport unit **T2**.
- ▶ Lift the transport unit **T1** with the auxiliary crane and swing out.
- ▶ Set the transport unit **T1** on the ground or on the transport vehicle and remove the auxiliary crane.
- ▶ Fasten the auxiliary crane properly on the transport unit **T2**.
- ▶ Carefully bring the fastening equipment to tension.

When the fastening equipment is tensioned:

- ▶ Unpin the connector pin between the transport unit **T2** and transport unit **T3**.
- ▶ Lift the transport unit **T2** with the auxiliary crane and swing out.
- ▶ Set the transport unit **T2** on the ground or on the transport vehicle and remove the auxiliary crane.

Empty page!

LWE/LR 11350-005/19004-04-02/en

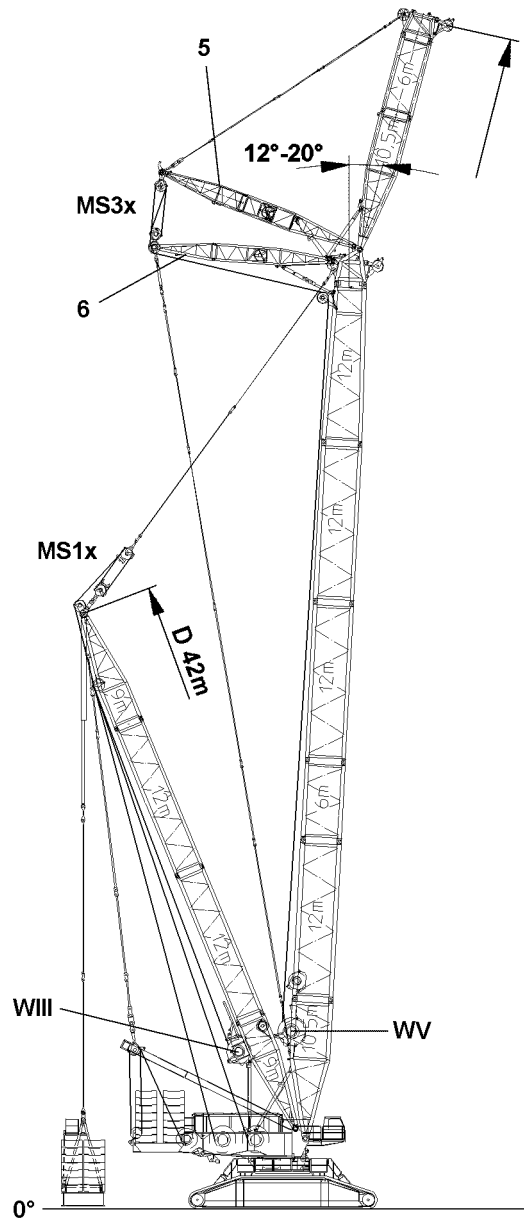
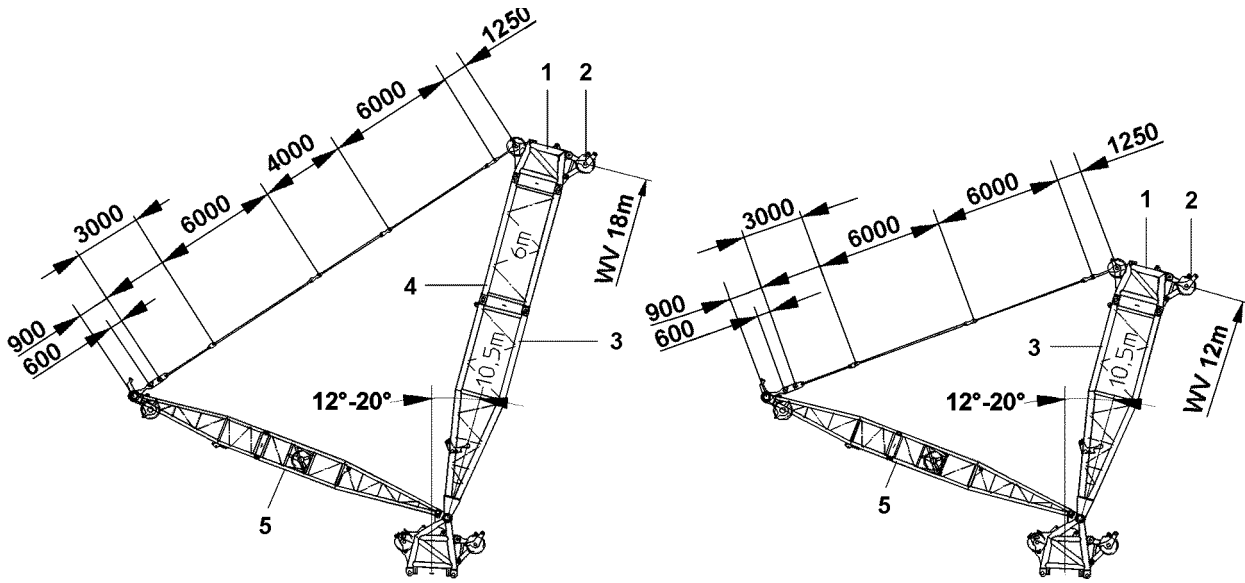


Fig.113075

LWE/LR 11350-005/19004-04-02/en

1 General

In WV-operation, the short WA-frames are used.

The length of the WA-frame 1 **5** is 15.5 m.

The length of the WA-frame 2 **6** is 13.5 m.

The length of the WV-lattice jib is 12 m or 18 m.

The operating range of the WV-lattice sections to the S-boom includes an angle range between 12° and 20°.

The movement of the WV-lattice jib is made by winch 5 **WV** with the master switch **MS3** in x-direction.

The movement of the S-boom, along with the WV-lattice jib is made by winch 3 **WIII** with the master switch **MS1** in X-direction.



Note

- ▶ For arrangement of intermediate sections of boom system, see Crane operating instructions, chapter 5.03!!
- ▶ Assembly of guy rods, see Rod plans!



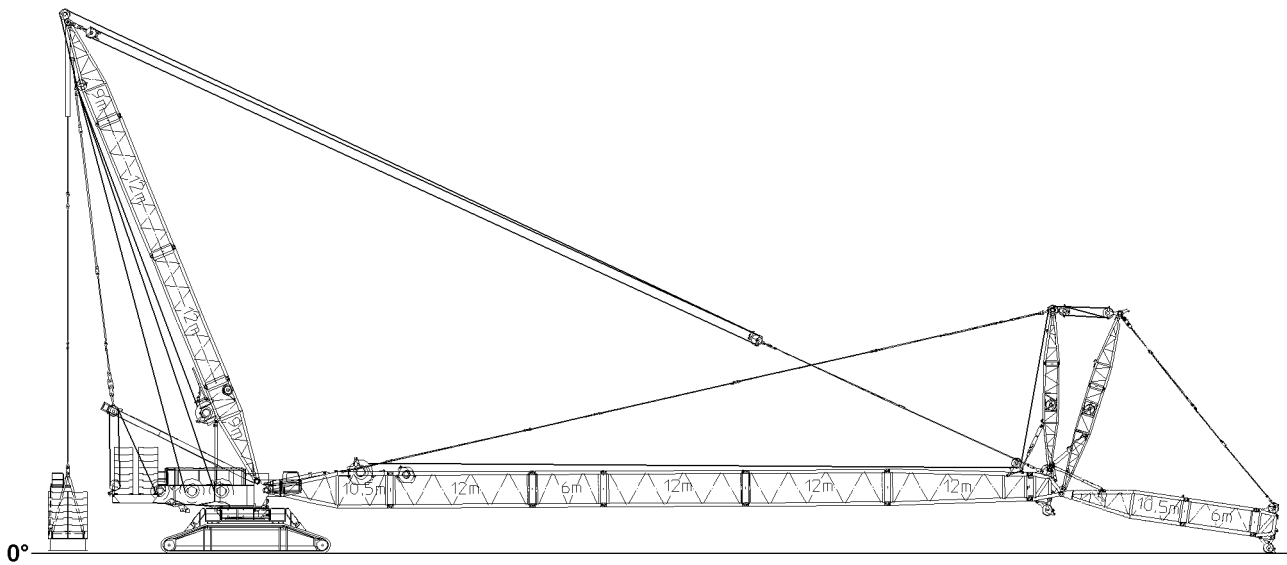
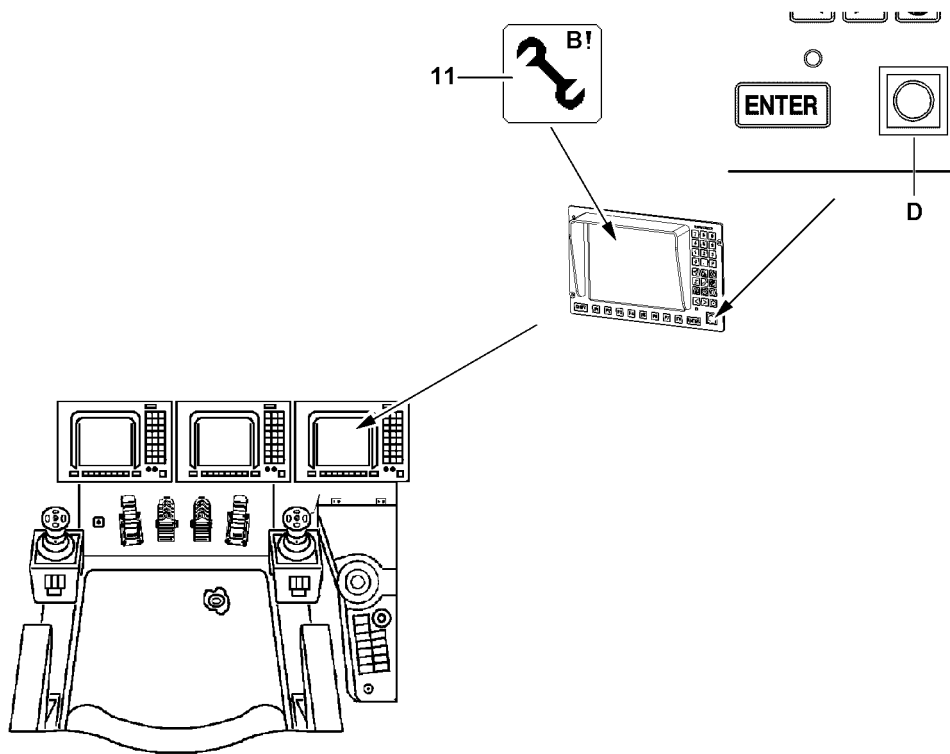
DANGER

Danger of accident due to incorrectly assembled lattice sections and guy rods!

- ▶ Any other arrangement of the lattice sections and guy rods than specified in the Operating instructions or the Erection drawings and Rod plans is prohibited!

1.1 Components

	Description	System	Length	Weight
1	SW-end section	—	1.5 m	8.8 t
2	Pulley set	—	—	2.5 t
3	W-pivot section	—	10.5 m	12.6 t
4	LI-intermediate section	LI 2621.10	6.0 m	5.9 t
5	WA-frame 1	—	15.5 m	—
6	WA-frame 2	—	13.5 m	—
W3	Winch3, S-control	—	—	—
W5	Winch5, WV-control	—	—	—
MS1	Master switch 1	—	—	—
MS3	Master switch 3	—	—	—



LWE/LR 11350-005/19004-04-02/en

Fig.112760

2 Assembly



WARNING

Risk of falling!

During assembly and disassembly, personnel must be secured with appropriate aids to prevent them from falling! If this is not observed, assembly personnel can fall and suffer life-threatening or fatal injuries!

- ▶ Any work, where there is a danger of falling must be carried out with suitable aids (for example: lifting platforms, scaffoldings, ladders, auxiliary crane)!
- ▶ If the work cannot be carried out with such aids nor from the ground, then the assembly personnel must secure themselves with approved fall arrest systems to avoid falling, see Crane operating instructions chapter 2.04!
- ▶ If railings are present on the components, then they must be brought into the corresponding position and secured for assembly / disassembly work!
- ▶ Step on aids and fall protection equipment only with clean shoes!
- ▶ Keep aids and fall protection equipment clean and free from snow and ice!
- ▶ During all assembly and disassembly work, maintenance work and inspections, travel or crane operation is prohibited!



WARNING

The lattice sections can fall down!

If the lattice sections are not pinned and secured correctly, then they can fall down and fatally injure personnel!

- ▶ Pin or unpin both pins at the same horizontal level, i.e. **left and right!**
- ▶ Do not stand under the lattice sections or within the entire danger zone during the pinning and unpinning procedure of the boom!
- ▶ Secure the pins in the bearing points and the receptacles!
- ▶ It is prohibited to lean the ladder against the components being disassembled!
- ▶ Do not remove the fastening equipment and the auxiliary crane until each component is pinned on and secured!



WARNING

Danger of impact / crushing!

When installing / removing crane components with the auxiliary crane, crane components can start to swing back and forth!

When lifting / lowering and positioning crane components, there is an increased danger of impacts / crushing!

Personnel can be caught and severely injured or killed!

- ▶ Make sure that personnel cannot be caught by components!
- ▶ Make sure that the crane is aligned in horizontal position to avoid the support beams from swinging by themselves!
- ▶ When working in danger zones: Use aids to protect limbs!
- ▶ Guide components with suitable aids to minimize oscillation!

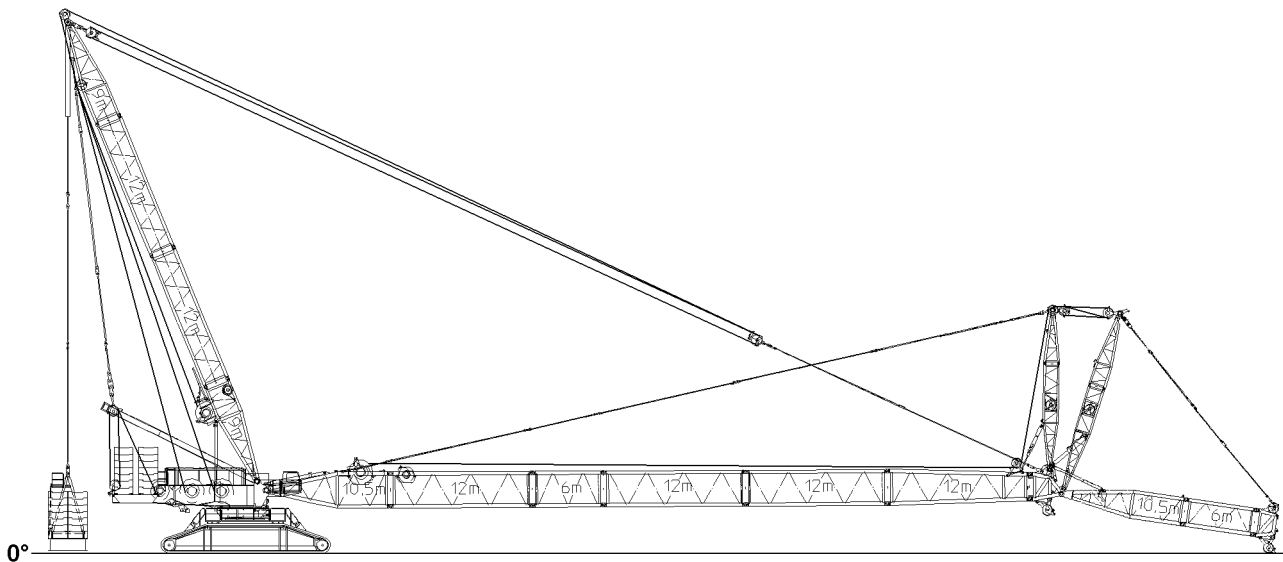
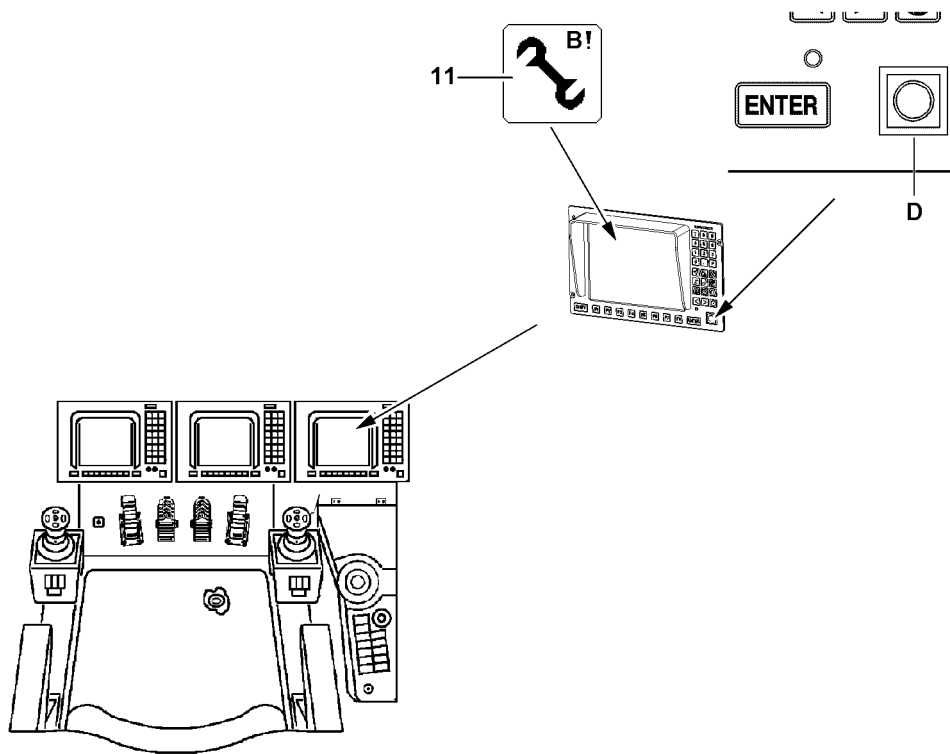


Fig.112760

LWE/LR 11350-005/19004-04-02/en

**WARNING**

Assembly with turned on set up key!

When the set up key is engaged, the LICCON overload protection is exceeded!

In the event of deliberate improper use, the crane could collapse, the boom can break off or the crane can topple over!

Personnel can be severely injured or killed!

This could result in high property damage!

- ▶ The set up key **D** may only be actuated by persons who know the effects of a bypass!
- ▶ Press the set up key **D** only when the set up status was correctly entered into the LICCON computer system!
- ▶ Observe the erection / take down charts!
- ▶ Crane operation with the set up key **D** turned on is strictly prohibited!

Make sure that the following prerequisites are met:

- The crane is aligned in horizontal direction.
- The SD-boom combination is assembled, see Crane operating instructions, chapter 5.04 and 5.05.
- The W-assembly unit, which consists of the short WA-frames and the W-pivot section is installed on the S-boom, see Crane operating instructions, chapter 5.07.
- The SW-end section with the installed pulley set is pinned on the W-pivot section or on the L-intermediate section. For installation of pulley set, see Crane operating instructions, chapter 5.14.
- The counterweight has been installed on the turntable according to the load chart.
- The derrick ballast is placed on the suspended ballast or the ballast trailer according to the load chart.
- The LICCON overload protection has been set according to the data in the load chart.
- The LICCON overload protection settings have been compared with the actual crane configuration.
- The LICCON overload protection is exceeded.
- The assembly icon **11** is visible on the LICCON monitor.
- An auxiliary crane is available.

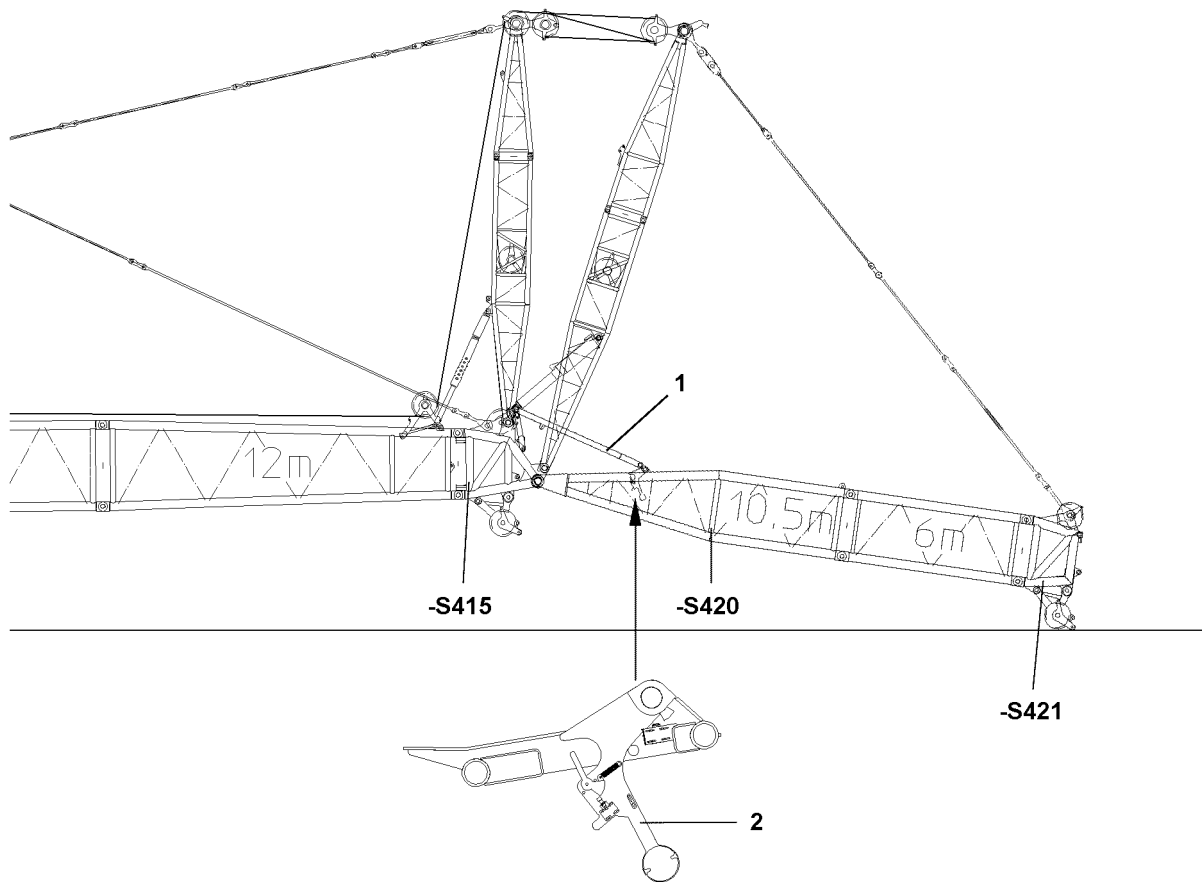


Fig.102973

2.1 Establishing the electrical connections

Make sure that the following prerequisite is met:

- The electrical connection to the WA-frames has been established before the W-pivot section assembly.
- The W-boom is completely assembled.
- The airplane warning light and the wind speed sensor are installed.



CAUTION

Damage to the electrical connection on the cable drum!

If the electrical connection from the cable drum to the terminal box on the W-pivot section is established first before the connection to the terminal box on the SW-end section, then the electrical connection will be damaged when spooling out the cable drum!

- ▶ Establish first the electrical connection from the cable drum on the W-pivot section to the terminal box on the SW-end section and then the electrical connection from the terminal box to the cable drum on the W-pivot section!



Note

- ▶ To establish the electrical connections on the W-boom, see Electric wiring diagram!

- ▶ Establish the electrical connections.
- ▶ Make sure that all electrical connections on the boom are established.

2.2 Checking the function of the safety devices

Make sure that the following prerequisites are met:

- All electrical connections have been established.
- The appropriate operating mode is set.

2.2.1 Wind speed sensor*

- ▶ Test the movement and the function of the wind speed sensor.

2.2.2 Airplane warning light*

- ▶ Turn the airplane warning light on and visually check the function.

2.2.3 Oscillation guard



DANGER

Danger of tipping over if the oscillation guard is hard to move!

If the oscillation guard **2** is hard to move, the mechanical relapse retainer **1** will no longer function. The WV-lattice jib can tip backwards uncontrolled and cause the crane to topple over!

- ▶ Crane operation with hard to move oscillation guard **2** is prohibited!
- ▶ Check the oscillation guard **2** for easy movement.

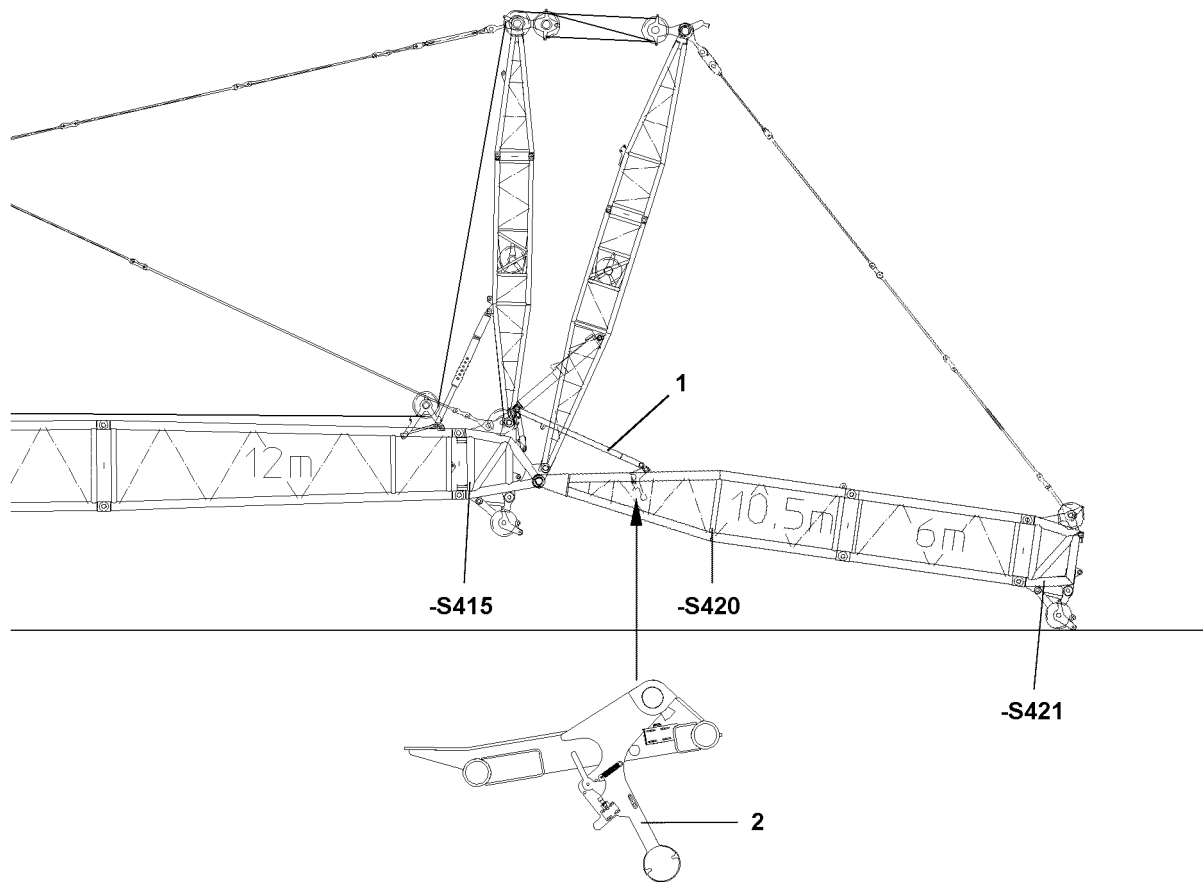


Fig.102973

2.2.4 Limit switch - General

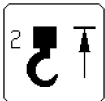


Note

- ▶ The limit switch functions have to be checked individually before erection!
- ▶ In the test system, the functions of the limit switch initiators must be checked as described in the separate „Diagnostics manual“.
- ▶ The limit switch initiators are checked manually as follows.

2.2.5 Hoist limit switch

When replacing or changing the hoist limit switch (HES), the HES must have the correct bus address and the correct software version in order to be recognized again by the bus system (LSB).



- ▶ Manually actuate the hoist limit switch.

Result:

- The icon is visible on the LICCON monitor.
- The **spool up function** of the hoist winch turns off.

2.2.6 Limit switch W-lattice jib, „steepest“ position, relapse cylinder

- ▶ Cover the limit switch initiators individually with a metal plate, see Crane operating instructions, chapter 8.12.

Result:

- The icon is visible on the LICCON monitor.
- The **spool up function** of the W-control winch turns off.

2.2.7 Limit switch W-lattice jib, „lowest“ position, relapse cylinder



- ▶ Cover the „lowest“ position of the limit switch initiators individually with a metal plate, see Crane operating instructions, chapter 8.12.

Result:

- The icon is visible on the LICCON monitor.
- The **spool out function** of the W-control winch turns off.

2.2.8 Limit switch flap in position W-lattice jib „steepest“ position, mechanical relapse support



- ▶ Cover the limit switch initiators individually with a metal plate.

Result:

- The icon is visible on the LICCON monitor.
- The **spool up function** of the W-control winch turns off.

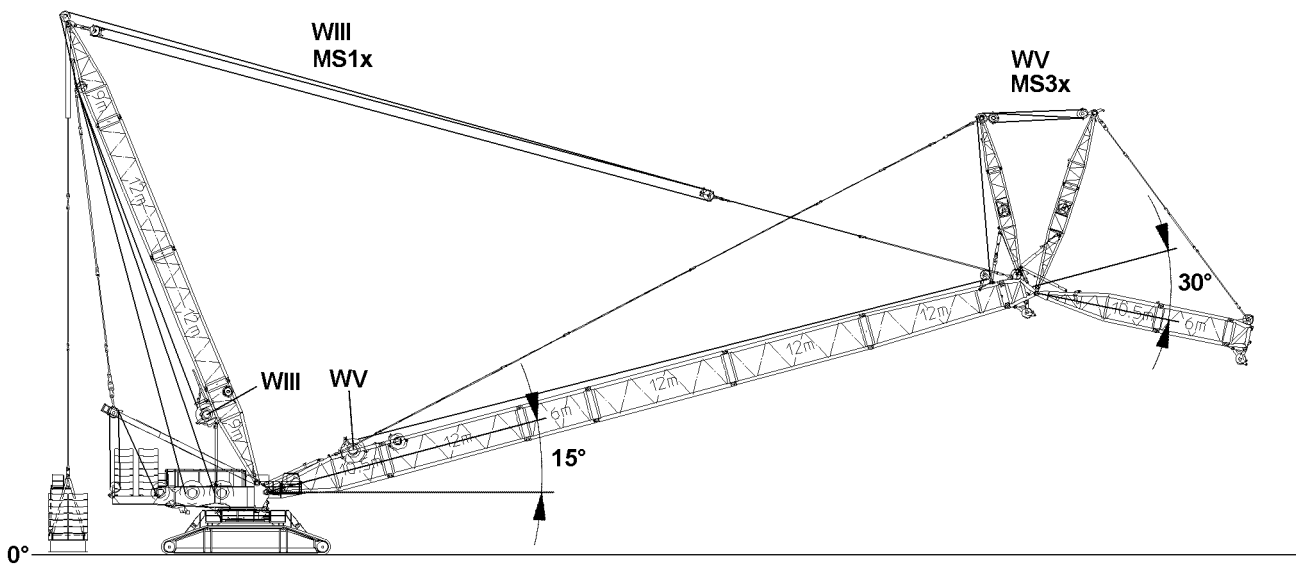
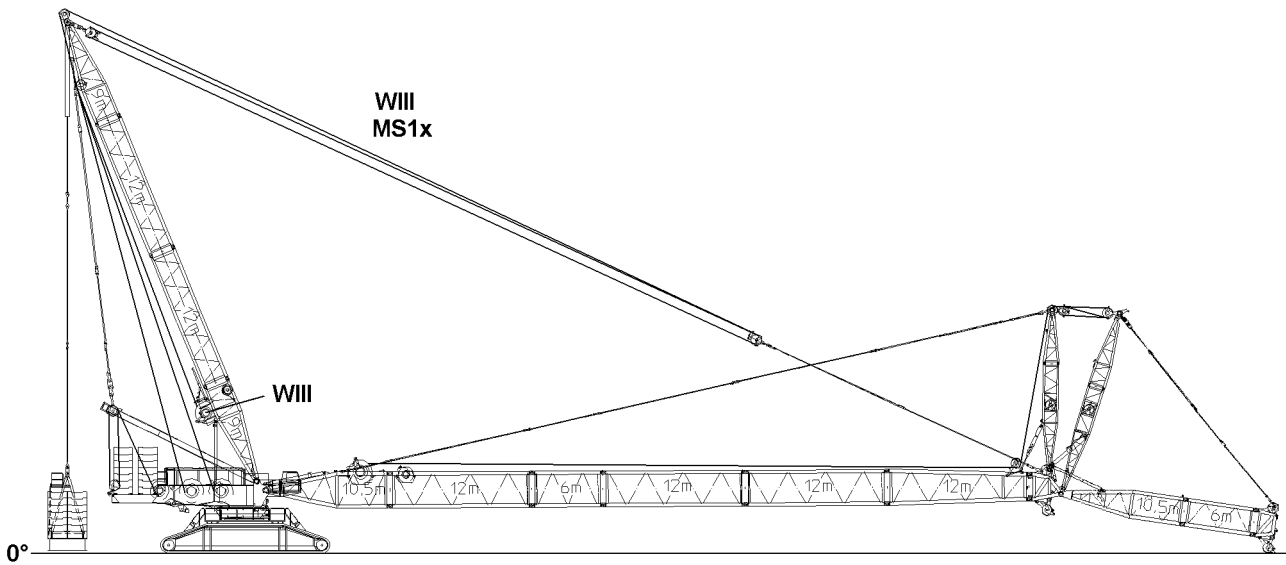
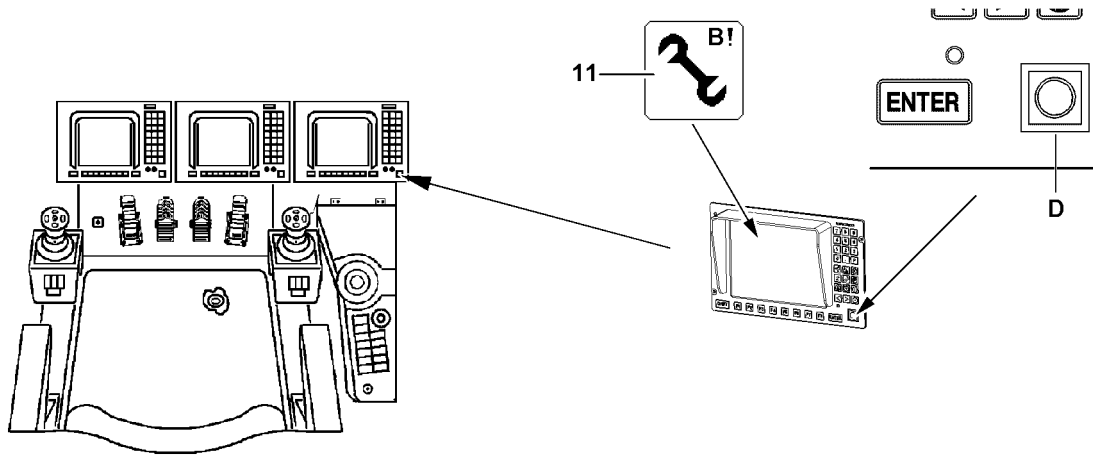


Fig.112910

LWE/LR 11350-005/19004-04-02/en

2.3 Erecting the boom



DANGER

The crane can topple over!

If the following conditions are not met before erecting the boom, the crane can topple over and fatally injure personnel!

- ▶ Observe the safety technical guidelines in chapter 5.01!
- ▶ Observe the data in the erection and take down charts!
- ▶ Move the relapse cylinder out before erection!
- ▶ It is not permitted to turn the crane during erection!



WARNING

Unutilized guy rods on boom!

If guy rods are on the lattice sections which are not used for operation, then there is a risk of accidents!

Personnel can be severely injured or killed!

Guy rods can loosen up and fall down!

The load chart is invalid!

The load display of the LICCON computer system shows the incorrect value!

The weight of the boom is too large for erection!

- ▶ Disassemble and remove unutilized guy rods on the transport retainers before erecting the boom!

Make sure that the following prerequisites are met:

- The crane is aligned in horizontal direction.
- All electrical connections have been established.
- All limit switches are functioning.
- The appropriate operating mode is set.
- The counterweight is installed on the turntable and on the derrick according to the load chart and the erection chart.
- All pin connections have been secured.
- The hoist rope has been correctly placed in the rope pulleys and is prevented from jumping out with the rope retaining pins.
- The LICCON overload protection has been set according to the data in the load chart.
- The LICCON overload protection settings have been compared with the actual crane configuration.
- The LICCON overload protection is exceeded.
- The assembly icon **11** is visible on the LICCON monitor.

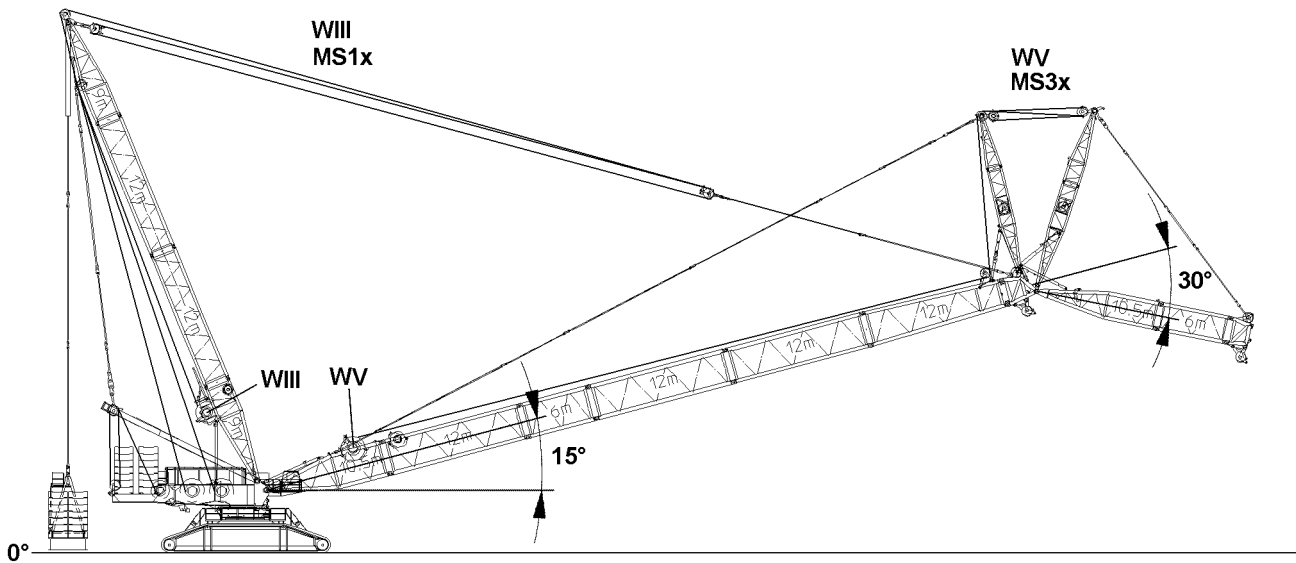
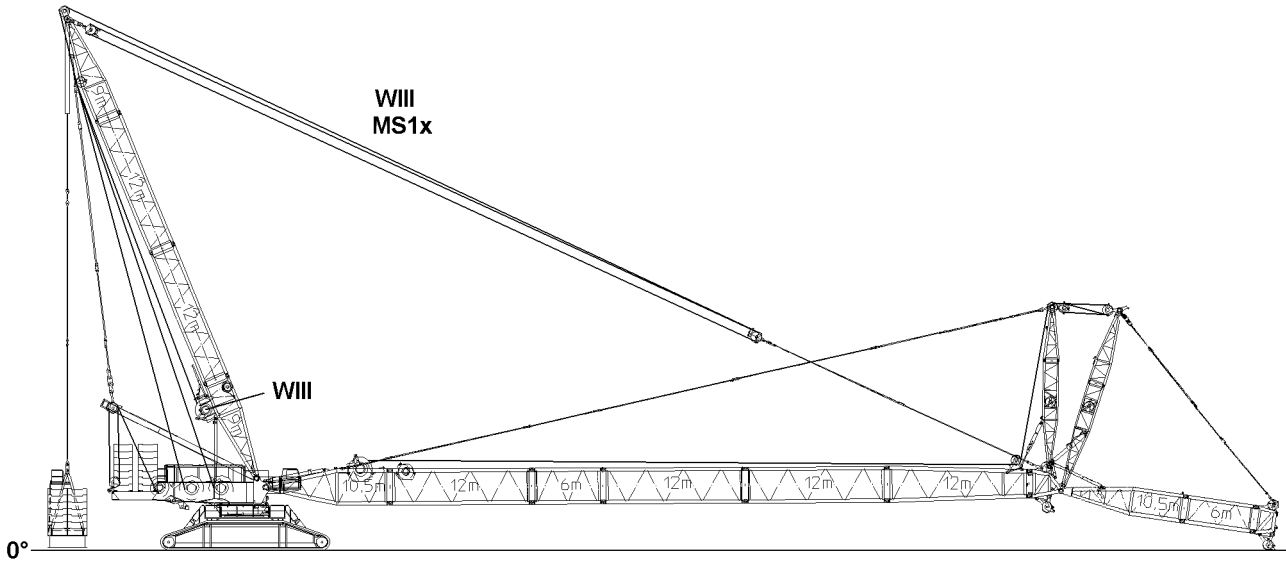
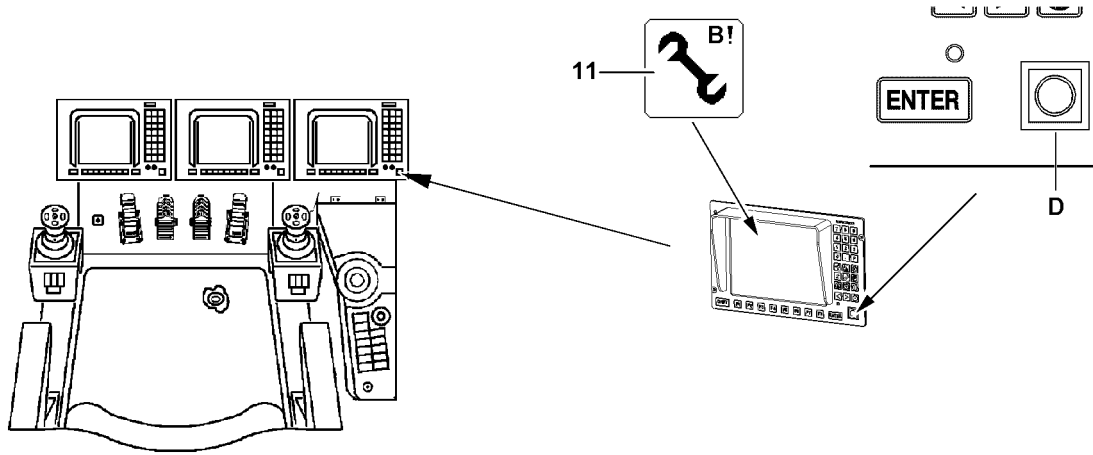


Fig.112910

LWE/LR 11350-005/19004-04-02/en

2.3.1 Erection



WARNING

The crane can topple over!

In crane operation with exceeded LICCON overload protection, the crane can topple over! Personnel can be severely injured or killed!

- ▶ The radii listed in the load chart may not be exceeded or fallen below, even if there is no load on the hook!

If required in the erection and take down chart:

- ▶ Carry the hook block along with the auxiliary crane!

-
- ▶ Check the actual load on the LICCON monitor.

Problem remedy

Actual load on the LICCON monitor is larger than 0.0 t !

- ▶ Observe the notes for input of hook block weight, see Crane operating instructions, chapter 4.02!
- ▶ Reeve in the hook block properly and secure the hoist rope on the rope fixed point, see Reeving plan.
- ▶ Attach the hoist limit switch weight.
- ▶ Enter the weight of the hook block into the LICCON computer system!
- ▶ Luff the S-boom up to approx. 15°. Move master switch **MS1** in x-direction.
- ▶ Luff the WV-lattice jib down to approx. 30° to the S-boom. Move master switch **MS3** in x-direction.

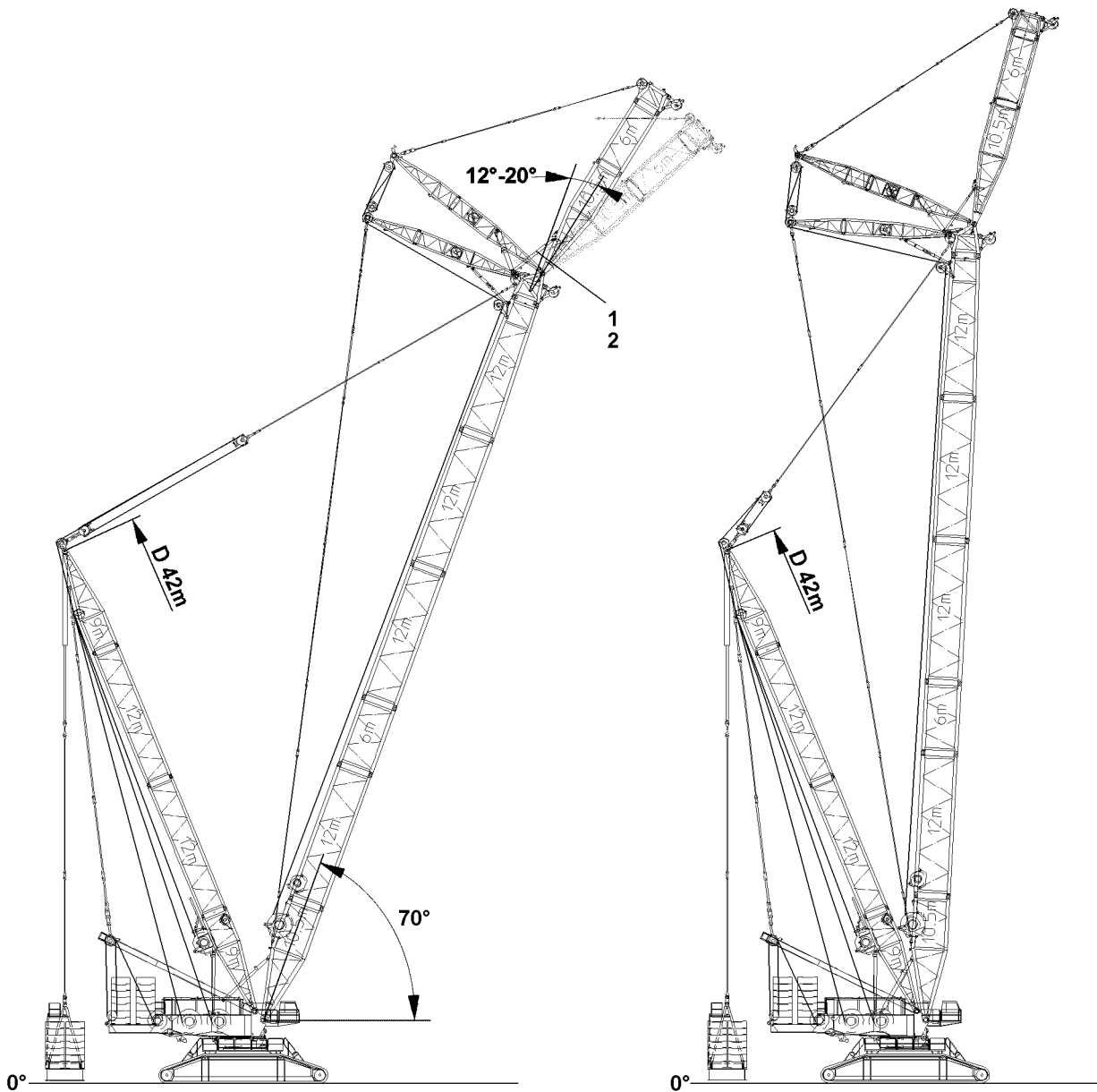
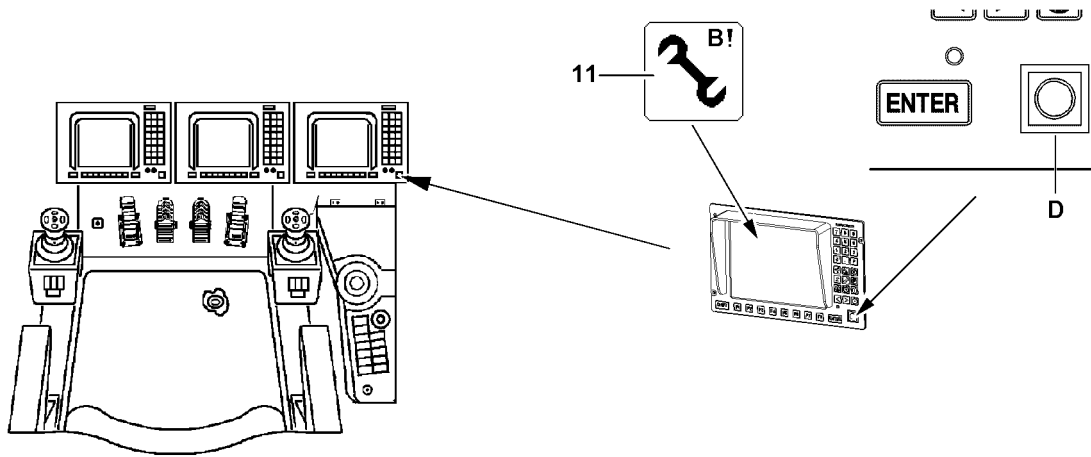


Fig.112911

LWE/LR 11350-005/19004-04-02/en

2.3.2 Erection - continuation

- ▶ Luff the S-boom up to 70°. Move master switch **MS1** in x-direction.



DANGER

Risk of collision!

If the angle between the S-boom and the WV-lattice jib is smaller than 30° at erection, then the mechanical relapse support **1** will collide with the flap on the oscillation guard **2**!

The WV-lattice jib can tip backwards uncontrolled and cause the crane to topple over! Personnel can be killed!

- ▶ The angle between the S-boom and the WV-lattice jib must be more than 30° during the complete erection procedure!
- ▶ Carry out visual inspection!

When the S-boom is in operating position:

- ▶ Luff the WV-lattice jib in into operating range. Move master switch **MS3** in X-direction.



Note

- ▶ When the lowest operating position is reached, the LICCON overload protection is activated!
- ▶ In the maximum load icon appears a load number in „t“ instead of the display „???“!

- ▶ Luff the S-boom up to the lowest operating position. Move master switch **MS1** in X-direction.

When the boom has reached the lowest operating position:

- ▶ Make sure that the assembly icon **11** on the LICCON monitor turns off.

Result:

- The LICCON overload protection is active.

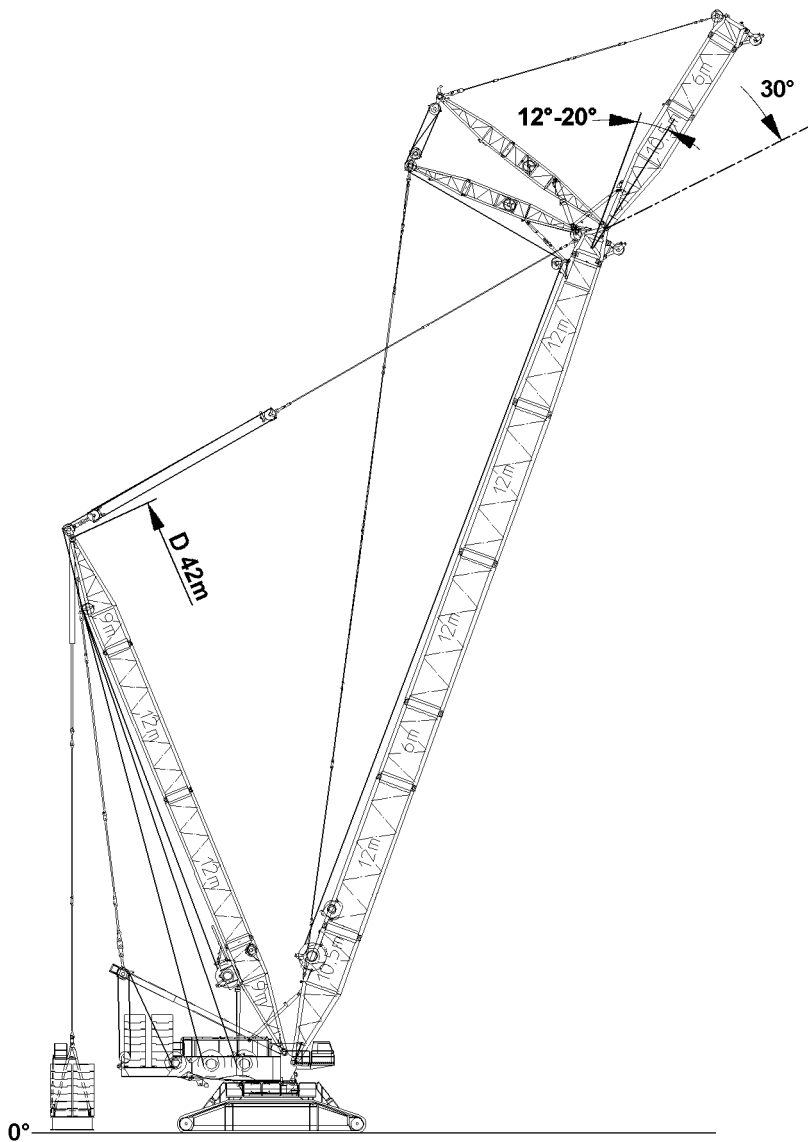
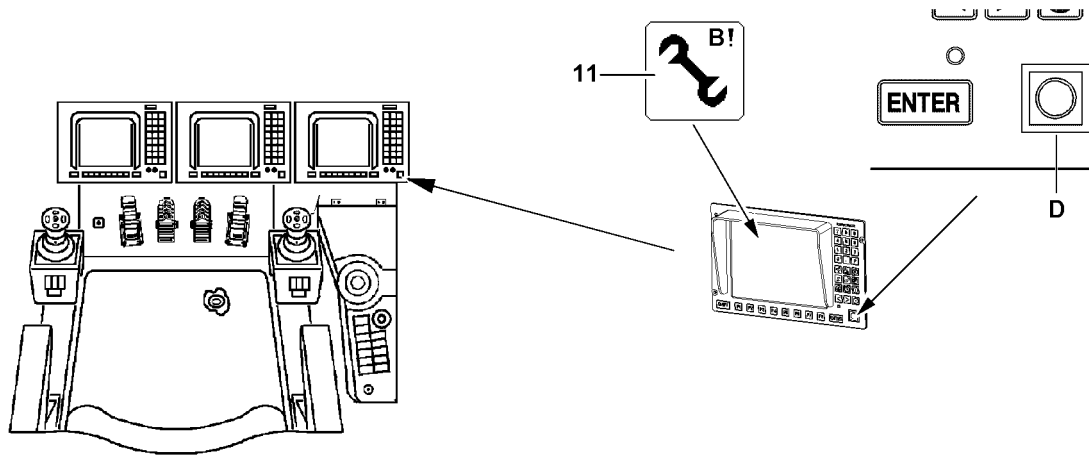


Fig.112912

LWE/LR 11350-005/19004-04-02/en

3 Crane operation



Note

- ▶ Observe the notes, see Crane operating instructions, chapter 4.05, chapter 4.08 and chapter 5.01!

Make sure that the following prerequisites are met:

- The LICCON overload protection is active.
- The LICCON overload protection has been set according to the data in the load chart.
- The WV-lattice jib is in an operating range between 12° and 20°.



Note

- ▶ In crane operation, the movement of the S-boom system is made with the master switch **MS1**. The WV-lattice jib is in an operating range between 12° and 20°.



WARNING

The crane can topple over!

- ▶ Check the horizontal position of the crane before and during operation!
- ▶ If the crane operator leaves the cab, even for a short time, the operating mode setting must be checked and reset if necessary before resuming crane operation!

3.1 Checking the settings

- ▶ Check the function of the overload protection by running against the operating positions „on top“ and „bottom“.
- ▶ Check the hoist limit switch by running against the hoist limit switch weight.
- ▶ Check the function of the limit switches on the relapse cylinders.

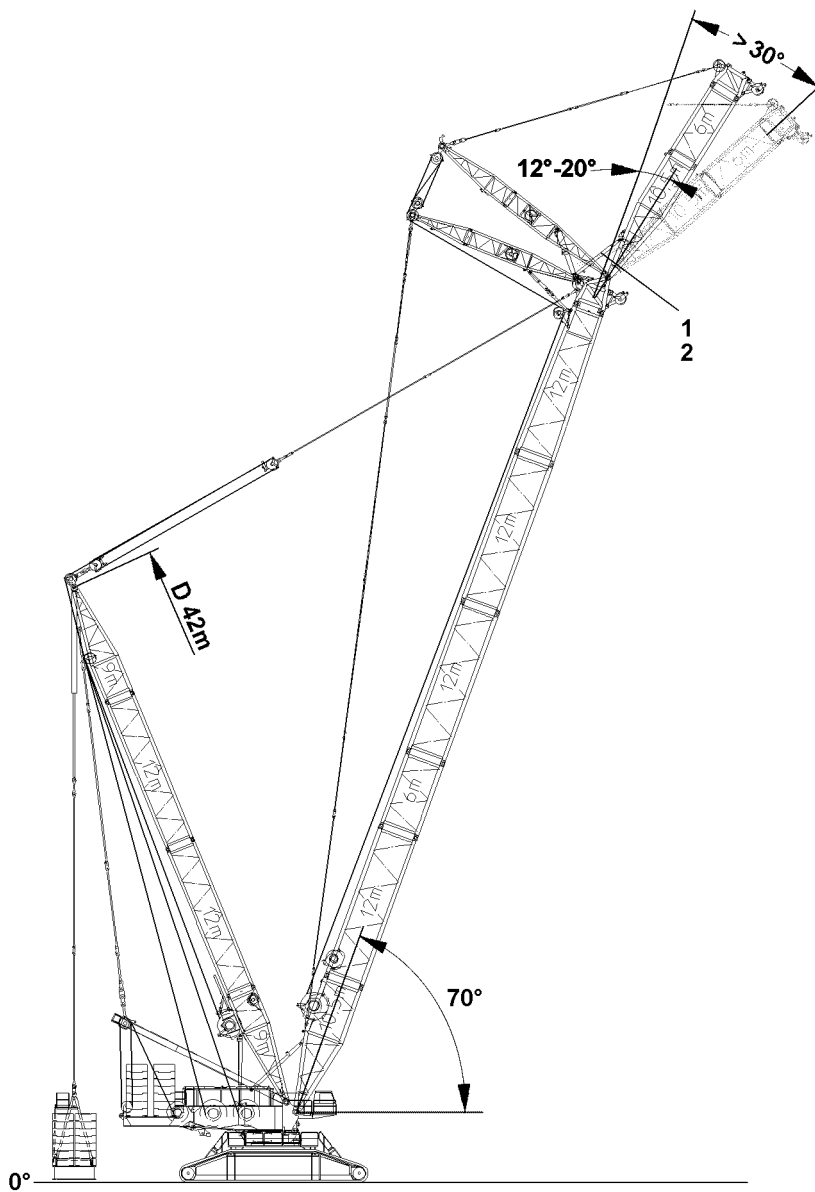
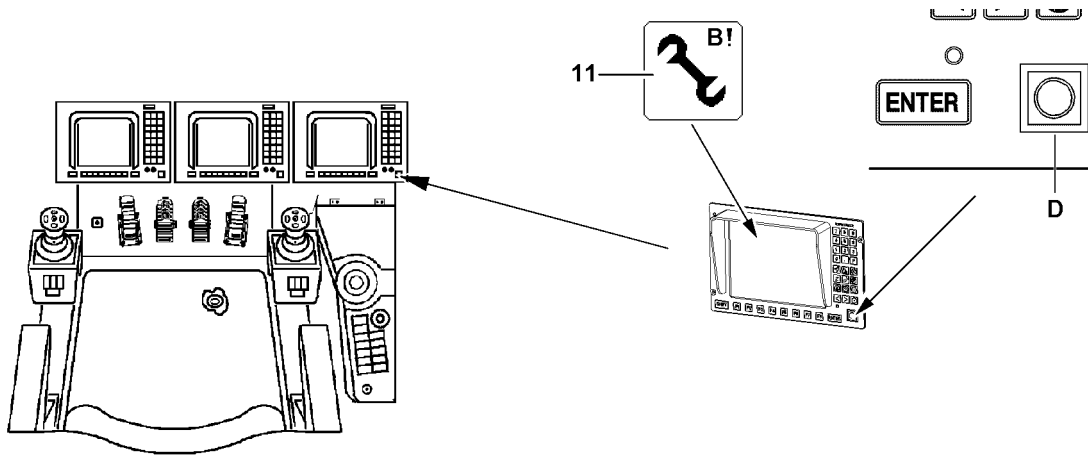


Fig.112913

LWE/LR 11350-005/19004-04-02/en

4 Disassembly



WARNING

Risk of falling!

During assembly and disassembly, personnel must be secured with appropriate aids to prevent them from falling! If this is not observed, assembly personnel can fall and suffer life-threatening or fatal injuries!

- ▶ Any work, where there is a danger of falling must be carried out with suitable aids (for example: lifting platforms, scaffoldings, ladders, auxiliary crane)!
- ▶ If the work cannot be carried out with such aids nor from the ground, then the assembly personnel must secure themselves with approved fall arrest systems to avoid falling, see Crane operating instructions chapter 2.04!
- ▶ If railings are present on the components, then they must be brought into the corresponding position and secured for assembly / disassembly work!
- ▶ Step on aids and fall protection equipment only with clean shoes!
- ▶ Keep aids and fall protection equipment clean and free from snow and ice!
- ▶ During all assembly and disassembly work, maintenance work and inspections, travel or crane operation is prohibited!



WARNING

The lattice sections can fall down!

If the lattice sections are not pinned and secured correctly, then they can fall down and fatally injure personnel!

- ▶ Pin or unpin both pins at the same horizontal level, i.e. **left and right!**
- ▶ Do not stand under the lattice sections or within the entire danger zone during the pinning and unpinning procedure of the boom!
- ▶ Secure the pins in the bearing points and the receptacles!
- ▶ It is prohibited to lean the ladder against the components being disassembled!
- ▶ Do not remove the fastening equipment and the auxiliary crane until each component is pinned on and secured!



WARNING

Danger of impact / crushing!

When installing / removing crane components with the auxiliary crane, crane components can start to swing back and forth!

When lifting / lowering and positioning crane components, there is an increased danger of impacts / crushing!

Personnel can be caught and severely injured or killed!

- ▶ Make sure that personnel cannot be caught by components!
- ▶ Make sure that the crane is aligned in horizontal position to avoid the support beams from swinging by themselves!
- ▶ When working in danger zones: Use aids to protect limbs!
- ▶ Guide components with suitable aids to minimize oscillation!

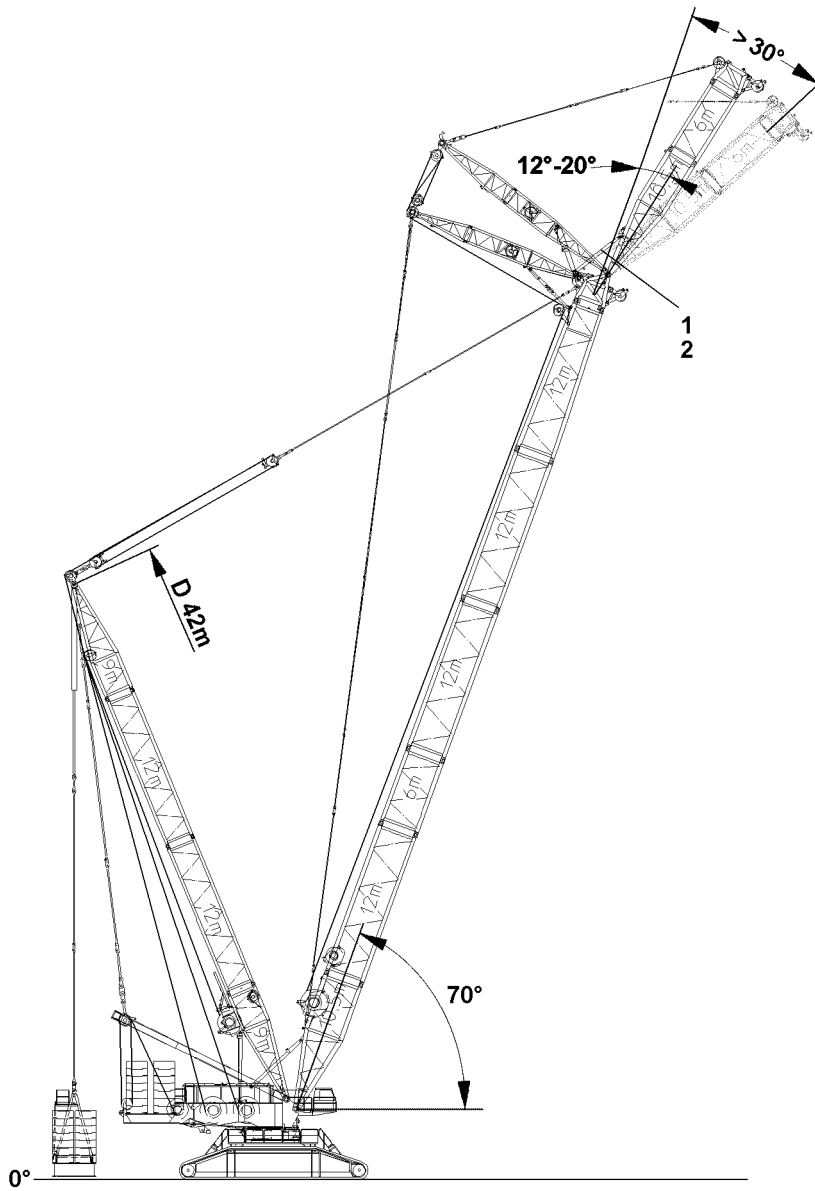
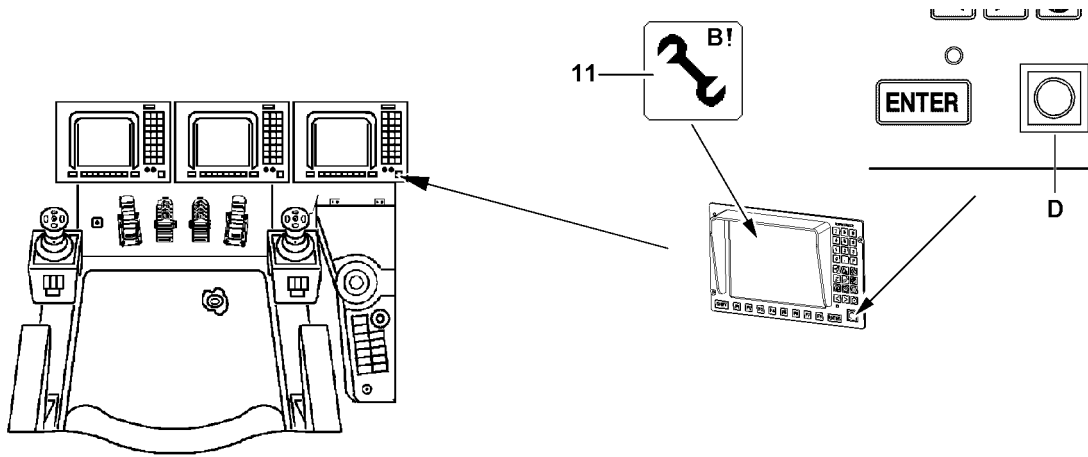


Fig.112913

LWE/LR 11350-005/19004-04-02/en

4.1 Luffing the boom down



DANGER

The crane can topple over!

If the following conditions are not met before taking down the boom, the crane can topple over and fatally injure personnel!

- ▶ Observe the safety technical guidelines in chapter 5.01!
- ▶ Observe the data in the erection and take down charts!

- ▶ Luff the S-boom down to approx. 70°. Move master switch **MS1** in x-direction.
- ▶ Carry out visual inspection!



DANGER

Risk of collision!

If the angle between the boom and the lattice jib is smaller than or equal to 30°, the mechanical re-lapse support **1** will collide with the flap on the oscillating guard **2**!

- ▶ The angle between the S-boom and the WV-lattice jib must be more than 30° during the complete take down procedure!
- ▶ Luff the WV-lattice jib down to approx. 30° to the S-boom.

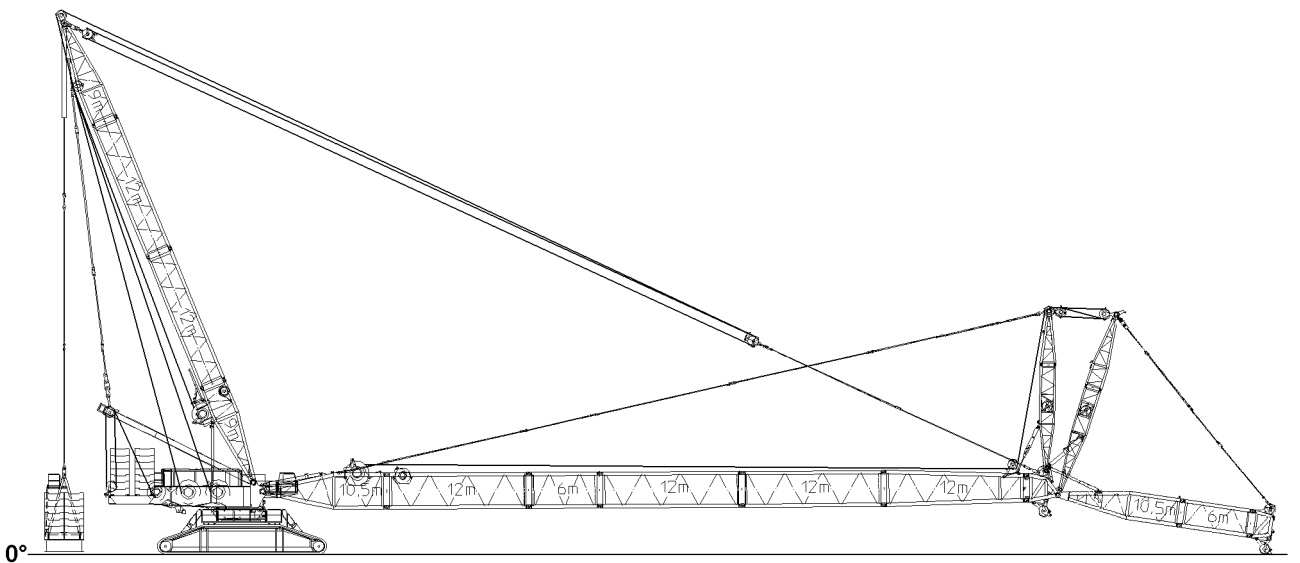
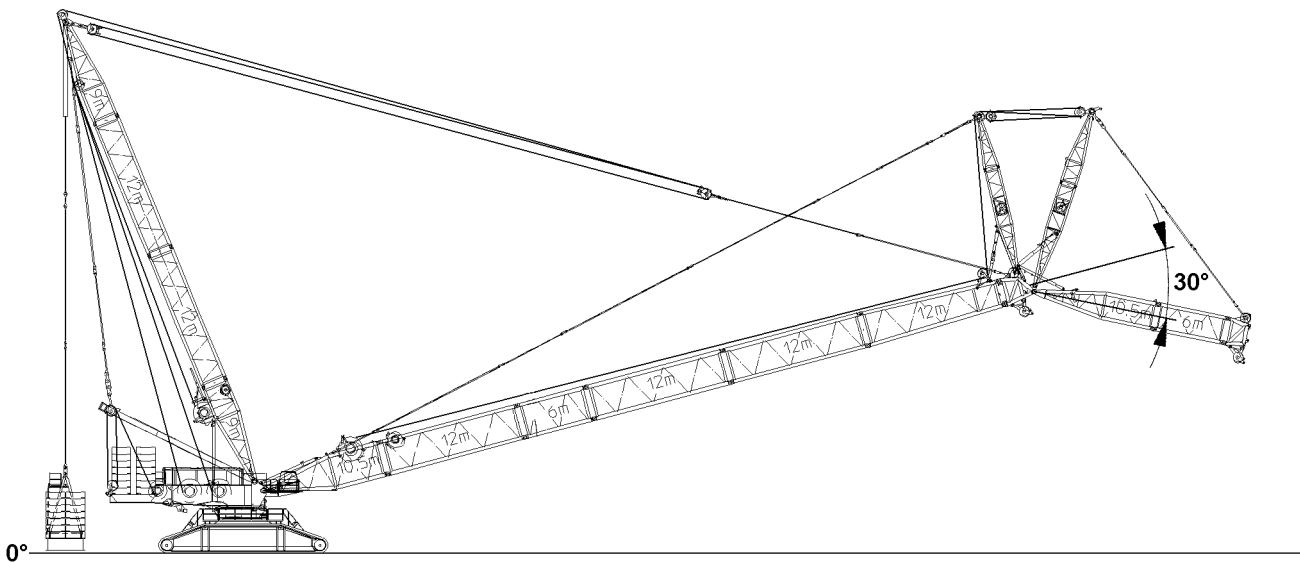
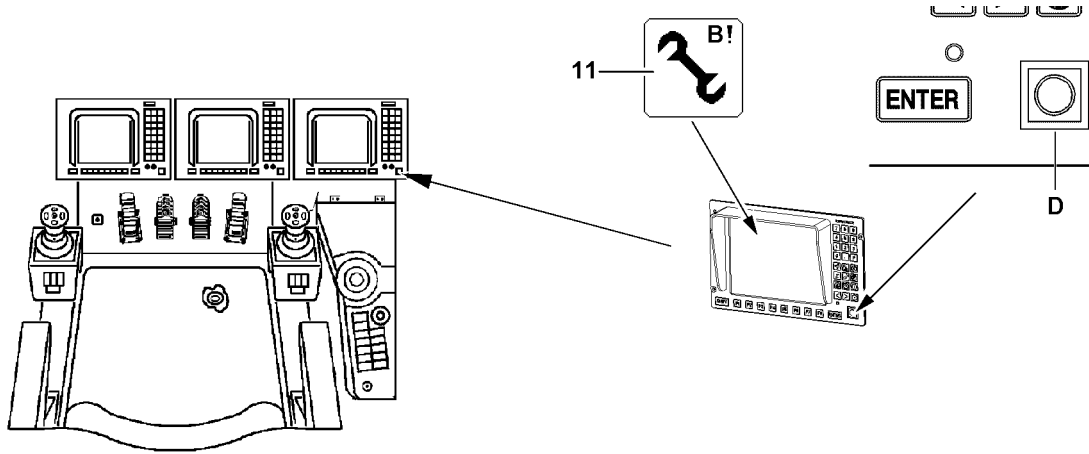


Fig.112914

LWE/LR 11350-005/19004-04-02/en

4.2 Luffing down

- ▶ Luff the S-boom down.



CAUTION

Damage to crane!

- ▶ Luff the S-boom down and watch that the hook block does not collide with the WV-end section.

- ▶ Luff the S-boom down to the **lowest** operating position.

When the lowest operating position is reached the luff down movement is shut off.

The load value in the „maximum load“ icon disappears and question marks appear (????).

The following alarm functions become active:

- „STOP“
- „Horn“ and acoustical signal



WARNING

Assembly with turned on set up key!

When the set up key is engaged, the LICCON overload protection is exceeded!

In the event of deliberate improper use, the crane could collapse, the boom can break off or the crane can topple over!

Personnel can be killed!

This could result in high property damage!

- ▶ The set up key **D** may only be actuated by persons who know the effects of a bypass!
- ▶ Press the set up key **D** only when the set up status was correctly entered into the LICCON computer system!
- ▶ Observe the erection / take down charts!
- ▶ Crane operation with the set up key **D** turned on is strictly prohibited!

When the W-lattice jib has reached the „lowest“ operating position:

- ▶ Turn the set up key **D** to the right.

Result:

- The LICCON overload protection is deactivated.
- The assembly icon **11** appears on the LICCON monitor.
- ▶ Luff the S-boom down until the hook block touches the ground.
- ▶ Remove the hoist limit switch weight and unreeve the hook block.
- ▶ Luff the S-boom down until the WV-end section is laying on the ground.
- ▶ Remove the hoist rope.
- ▶ Remove the guy rods, WV-lattice jib and the WA-frames.



Note

- ▶ For disassembly of W-assembly unit, see Crane operating instructions, chapter 5.07.

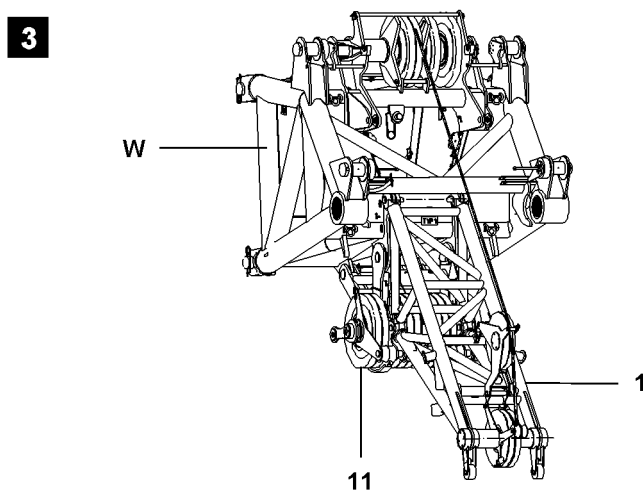
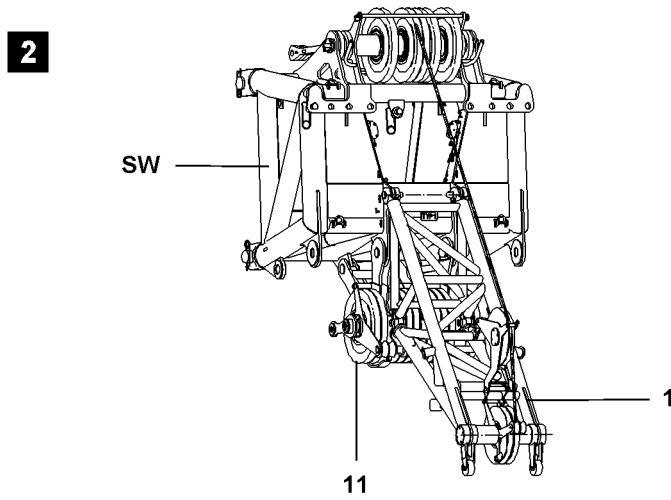
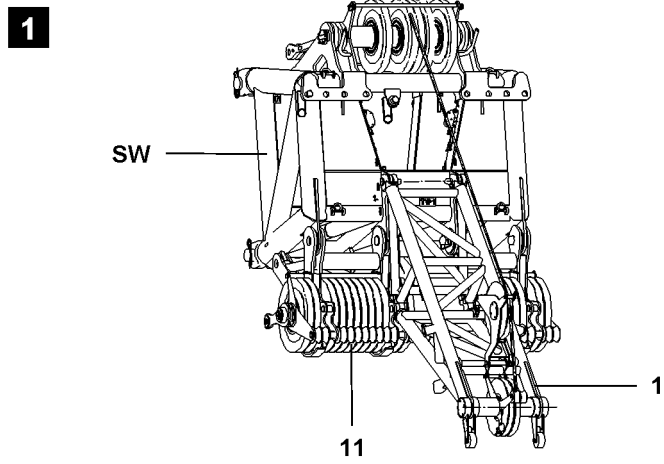


Fig.102974

LWE/LR 11350-005/19004-04-02/en

1 Boom nose 62 t

The boom nose **1** is installed on the **SW**-end section or the **W**-connector head:

- Illustration **1**
Boom nose **1** on **SW**-end section with two 625 t pulley sets **11**.
- Illustration **2**
Boom nose **1** on **SW**-end section with one 625 t pulley set **11**.
- Illustration **3**
Boom nose **1** on **W**-end section with one 625 t pulley set **11**.

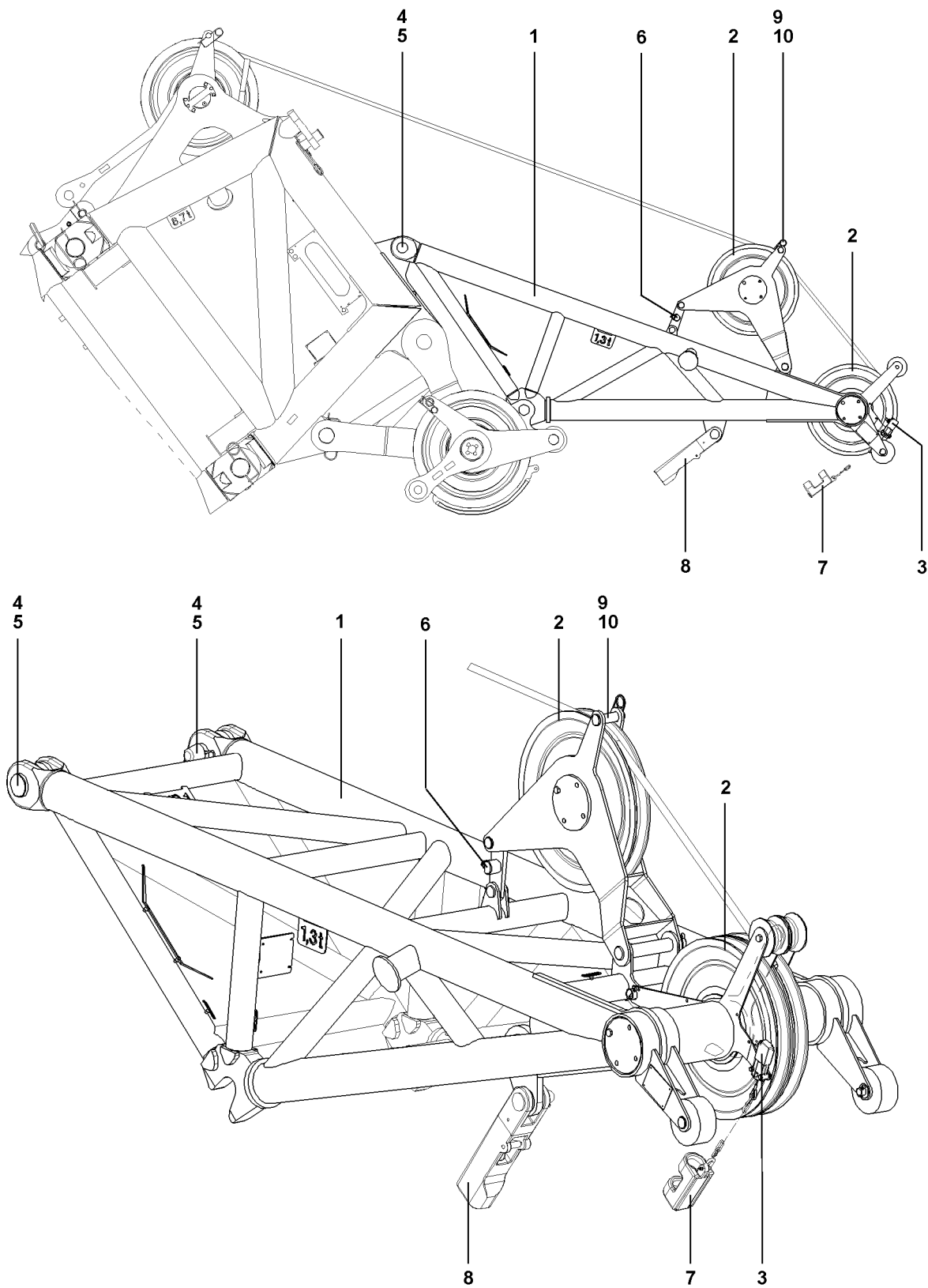


Fig.102970

LWE/LR 11350-005/19004-04-02/en

1.1 Components

Position	Description	Weight
1	Boom nose 62 t	1.3 t
2	Rope pulley	—
3	Hoist limit switch	—
4	Pin 90 mm	—
5	Spring retainer 6 mm	—
6	Force test bracket	—
7	Hoist limit switch weight	—
8	Lock	—
9	Pin 32 mm	—
10	Spring retainer 4.5 mm	—

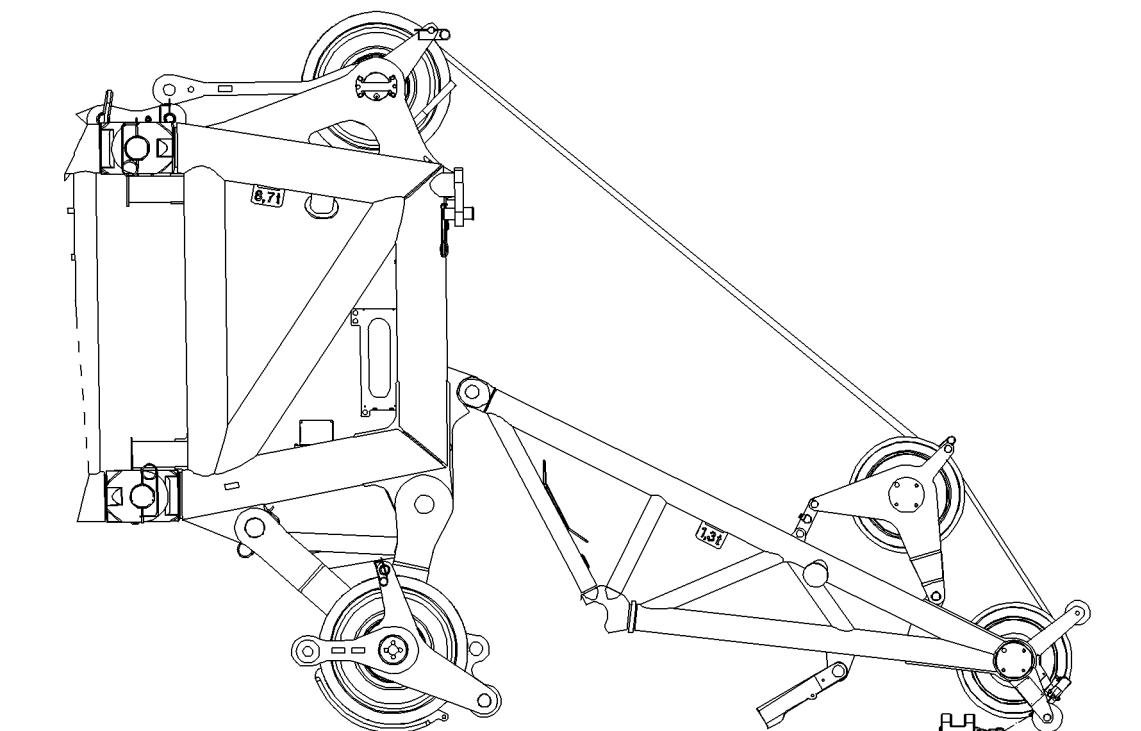


Fig.112924

1.2 Assembly



WARNING

Risk of falling!

During assembly and disassembly, personnel must be secured with appropriate aids to prevent them from falling. If this is not observed, assembly personnel can fall and suffer life-threatening or fatal injuries!

- ▶ Any work, where there is a danger of falling must be carried out with suitable aids (for example: lifting platforms, scaffoldings, ladders, auxiliary crane)!
- ▶ If the work cannot be carried out with such aids nor from the ground, then the assembly personnel must secure themselves with approved fall arrest systems to avoid falling, see Crane operating instructions chapter 2.04!
- ▶ If railings are present on the components, then they must be brought into the corresponding position and secured for assembly / disassembly work!
- ▶ Step on aids and fall protection equipment only with clean shoes!
- ▶ Keep aids and fall protection equipment clean and free from snow and ice!
- ▶ During all assembly and disassembly work, maintenance work and inspections, travel or crane operation is prohibited!



WARNING

Falling components!

If unsecured or non-supported components are installed or removed, they can fall down!

Personnel can be severely injured or killed!

- ▶ During pinning and unpinning of the lattice sections, it is prohibited for anyone to remain **under** or **on** the components as well as within the entire danger zone!
- ▶ Support the boom and components before pinning / unpinning!
- ▶ Pin or unpin both pins laying in a horizontal, i.e. **left** and **right**!
- ▶ Secure the pins in the bearing points and in the receptacles!
- ▶ Do not disengage the auxiliary crane until each component is pinned and secured!
- ▶ It is prohibited to lean a ladder against the component being disassembled!

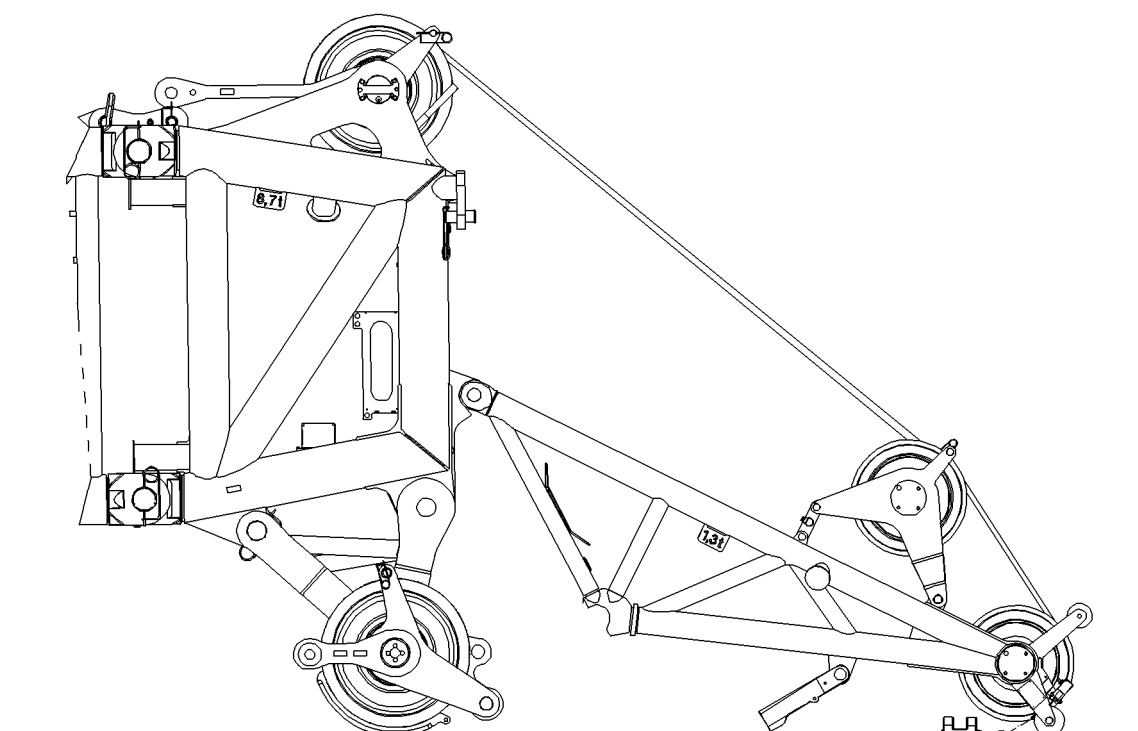


Fig.112924

**WARNING**

Danger of impact / crushing!

When installing / removing crane components with the auxiliary crane, crane components can start to swing back and forth!

When lifting / lowering and positioning crane components, there is an increased danger of impacts / crushing!

Personnel can be severely injured or killed!

- ▶ Make sure that personnel cannot be caught by components!
- ▶ Make sure that the crane is horizontally aligned!
- ▶ When working in danger zones: Use aids to protect limbs!
- ▶ Guide components with suitable aids to minimize oscillation!

**WARNING**

The crane can topple over!

If the turntable is turned during the assembly of the boom, then the crane can topple over and be severely damaged!

Personnel can be severely injured or killed!

- ▶ The turntable may not be turned during the assembly of the boom!

1.2.1 Assembly prerequisites for boom nose(s)

**WARNING**

Assembly with bypassed / exceeded LICCON overload protection!

With bypassed / exceeded LICCON overload protection, the crane can collapse due to overload, the boom can break off or the crane can topple over!

Personnel can be severely injured or killed!

This could result in high property damage!

- ▶ The LICCON overload protection may only be bypassed / exceeded by persons who are aware of the consequences of a bypass!
- ▶ Bypass / exceed the LICCON overload protection only when the set up status of the crane has been correctly entered into the LICCON computer system!
- ▶ Observe the erection / take down charts!
- ▶ Crane operation with bypassed / exceeded LICCON overload protection is strictly prohibited!

Make sure that the following prerequisites are met:

- The crane is aligned in horizontal direction.
- The boom including the respective end section are installed.
- The boom is placed on a load-bearing support.
- The counterweight has been installed on the turntable according to the load chart.
- The LICCON overload protection has been set according to the data in the load chart.
- The LICCON overload protection is exceeded.
- The assembly icon is visible on the LICCON monitor.
- An auxiliary crane is available.

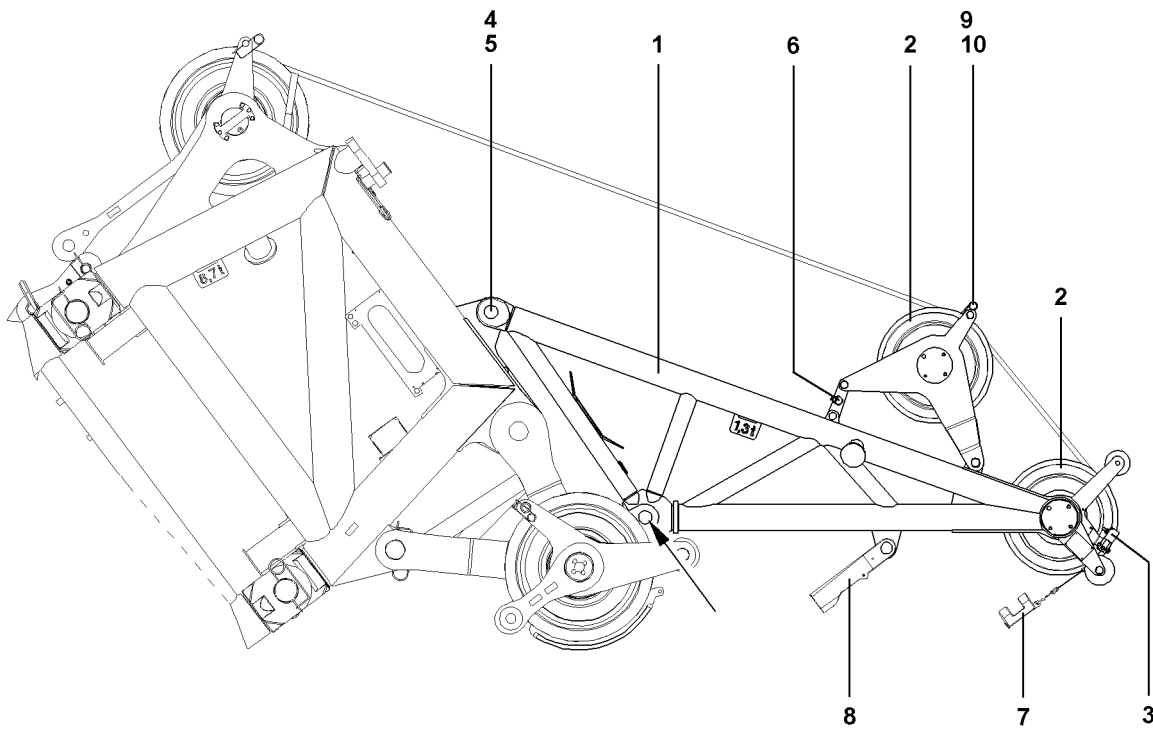
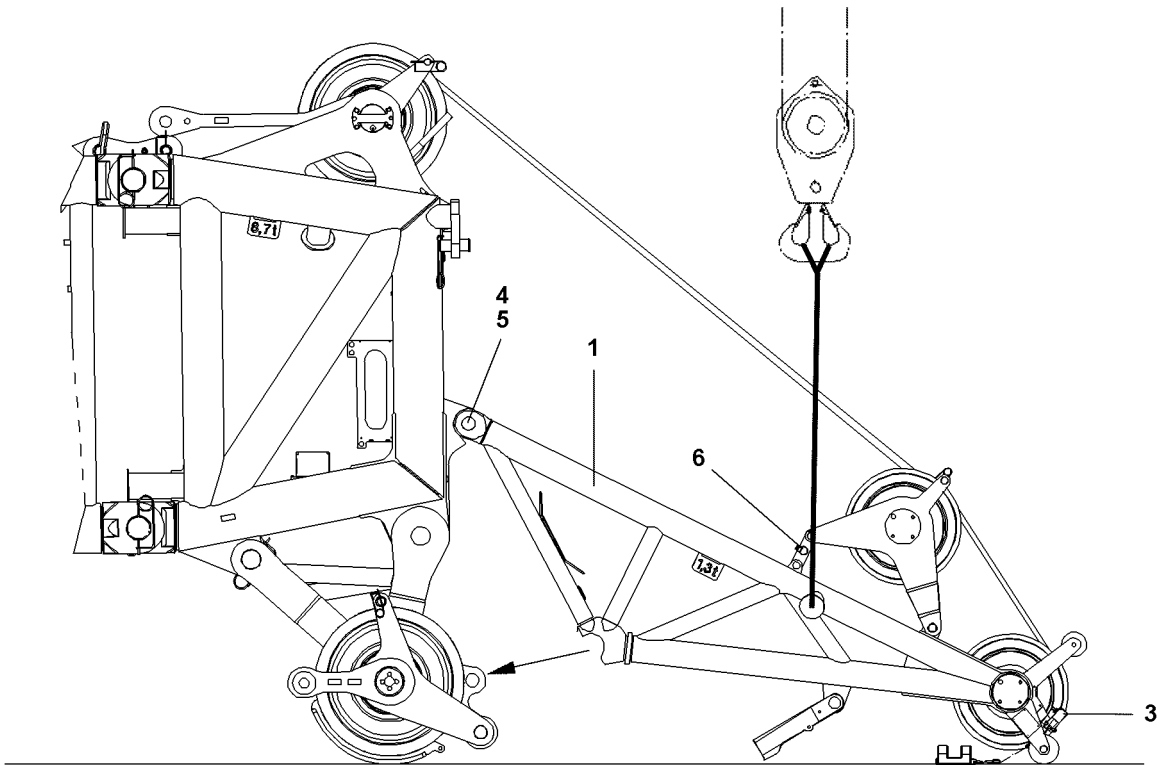


Fig.103003

LWE/LR 11350-005/19004-04-02/en

1.2.2 Assembly procedure

Make sure that the following prerequisite is met:

- The boom end section is laying on the ground.
- ▶ Hang the boom nose **1** on the auxiliary crane and insert the pin **4** on the end section **on top** and secure with spring retainer **5**.
- ▶ Secure the spring retainer **5**.
- ▶ Lay the boom nose on the ground, remove the auxiliary crane.
- ▶ Pull the hoist rope over the rope pulleys **2**.



Note

- ▶ Pull the hoist rope over the rope pulleys according to the Reeving plan.

- ▶ Luff up the boom until the boom nose is touching on the end section **on the bottom** in the receptacle.



WARNING

Falling hoist rope!

If the hoist rope is not properly secured with a corresponding length on the boom nose before the erection procedure, then it can fall backward due to its own weight!

Personnel can be severely injured or killed!

- ▶ Reeve in the hoist rope with sufficient length on the boom nose before the erection process!
- ▶ The hoist rope must be constantly monitored during erection!
- ▶ Do not step into the danger zone!

- ▶ Reeve hook block properly and attach hoist limit switch weight.



Note

- ▶ Reeve in the hoist rope according to the Reeving plan.

1.2.3 Establishing the electrical connections

NOTICE

Damage to the electrical connection on the cable drum!

If the electrical connection from the cable drum on the S-pivot section to the terminal box on the S-pivot section is established first before the connection to the terminal box on the respective end section, the electrical connection can be damaged when spooling out the cable drum!

- ▶ Establish first the electrical connection from the cable drum in the S-pivot section to the terminal box on the respective end section and then the electrical connection from the terminal box in the S-pivot section to the cable drum in the S-pivot section!



Note

- ▶ To establish the electrical connections, use the electrical wiring diagram!

Make sure that the following prerequisites are met:

- The boom is fully assembled.
- The airplane warning light and the wind speed sensor are assembled.
- ▶ Establish the electrical connections.
- ▶ Make sure that all electrical connections on the boom are established.

1.2.4 Function check



WARNING

Non-functioning safety devices!

If the function of the safety devices is defective, personnel can be severely injured or killed!

- ▶ Crane operation with non-functioning safety devices is **prohibited!**

**Note**

- ▶ The function of the individual limit switches must be checked before erection!
- ▶ The function of the limit switch initiators must be checked in the test system, see Diagnostics manual!

**Note**

- ▶ If a function check on the limit switches or on the safety devices does not lead to the desired shut offs, then the plug connections on the terminal boxes or the components itself must be checked!
- ▶ If no visible connection errors or component defects can be found, contact **LIEBHERR** service!

Make sure that the following prerequisites are met:

- All electrical connections have been made.
- The crane engine is running.
- The corresponding operating mode is set on the LICCON monitor.

Checking the wind speed sensor

- ▶ Test the movement and the function of the wind speed sensor.

Checking the airplane warning light

- ▶ Turn the airplane warning light on.
- ▶ Check the function visually.

Checking the hoist limit switch on the pulley head**Note**

- ▶ When replacing or changing a hoist limit switch (HES), the corresponding hoist limit switch must have the correct bus address and the correct software version in order to be detected again by the bus system (LSB)!

- ▶ Actuate the hoist limit switch manually on the pulley head.

Result:

- The spool up function of the hoist winch turns off.
- The icon „Hoist top“ appears on the LICCON monitor 0.
- The limit switch is functioning.

Checking the limit switch S-boom „Steepest position“**Note**

- ▶ The limit switch functions have to be checked individually before erection!

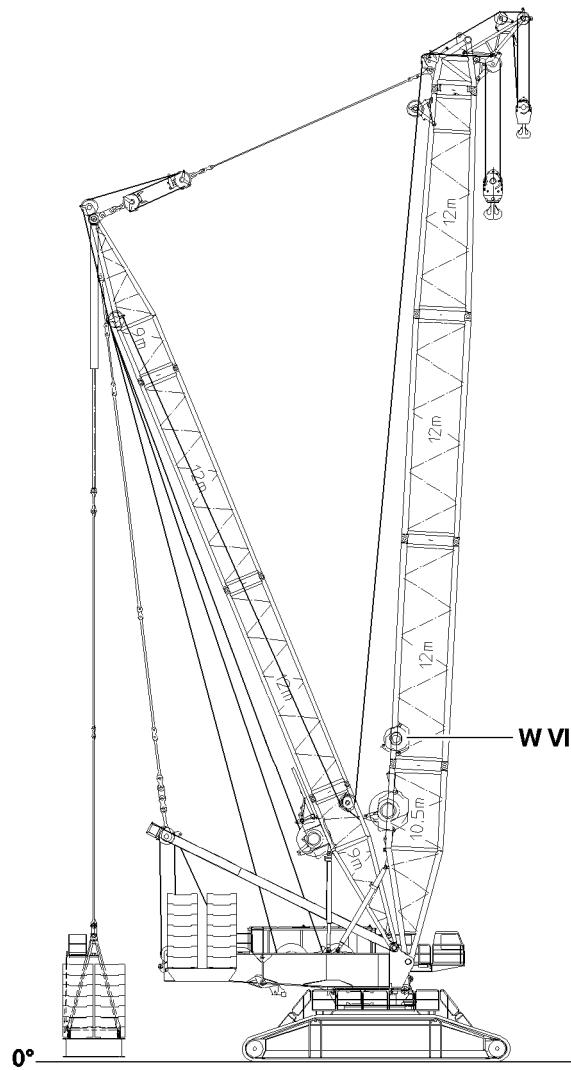
- ▶ Cover the limit switch initiators on the S-relapse cylinders individually with a metal plate.

Result:

- The limit switch is actuated manually.
- The spool up function of winch 4 turns off.
- The icon „Boom limitation“ appears on the LICCON monitor 0.
- The limit switch is functioning.

Empty page!

LWE/LR 11350-005/19004-04-02/en



LWE/LR 11350-005/19004-04-02/en

Fig.112925

1.2.5 Erecting the boom



DANGER

The crane can topple over!

If the following conditions are not met before erecting the boom, the crane can topple over and fatally injure personnel!

- ▶ Observe and adhere to the safety technical notes, see Crane operating instructions, chapter 5.01!
- ▶ Observe the data in the erection and take down charts!
- ▶ Move the relapse cylinder out before erection!

Make sure that the following prerequisite is met:

- The LICCON overload protection is bypassed / exceeded.

Erection



WARNING

The crane can topple over!

In crane operation with exceeded LICCON overload protection, the crane can topple over!

Personnel can be severely injured or killed!

- ▶ The radii listed in the load chart may not be exceeded or fallen below, even if there is no load on the hook!



Note

- ▶ When the lowest operating position of the boom is reached, the LICCON overload protection is activated!
 - ▶ In the maximum load icon appears a load number in „t“ instead of the display „???“!
-
- ▶ Luff the S-boom up to the lowest operating position.
 - ▶ When the boom has reached the lowest operating position: Make sure that the assembly icon turns off on the LICCON monitor.

Result:

- The LICCON overload protection is active.

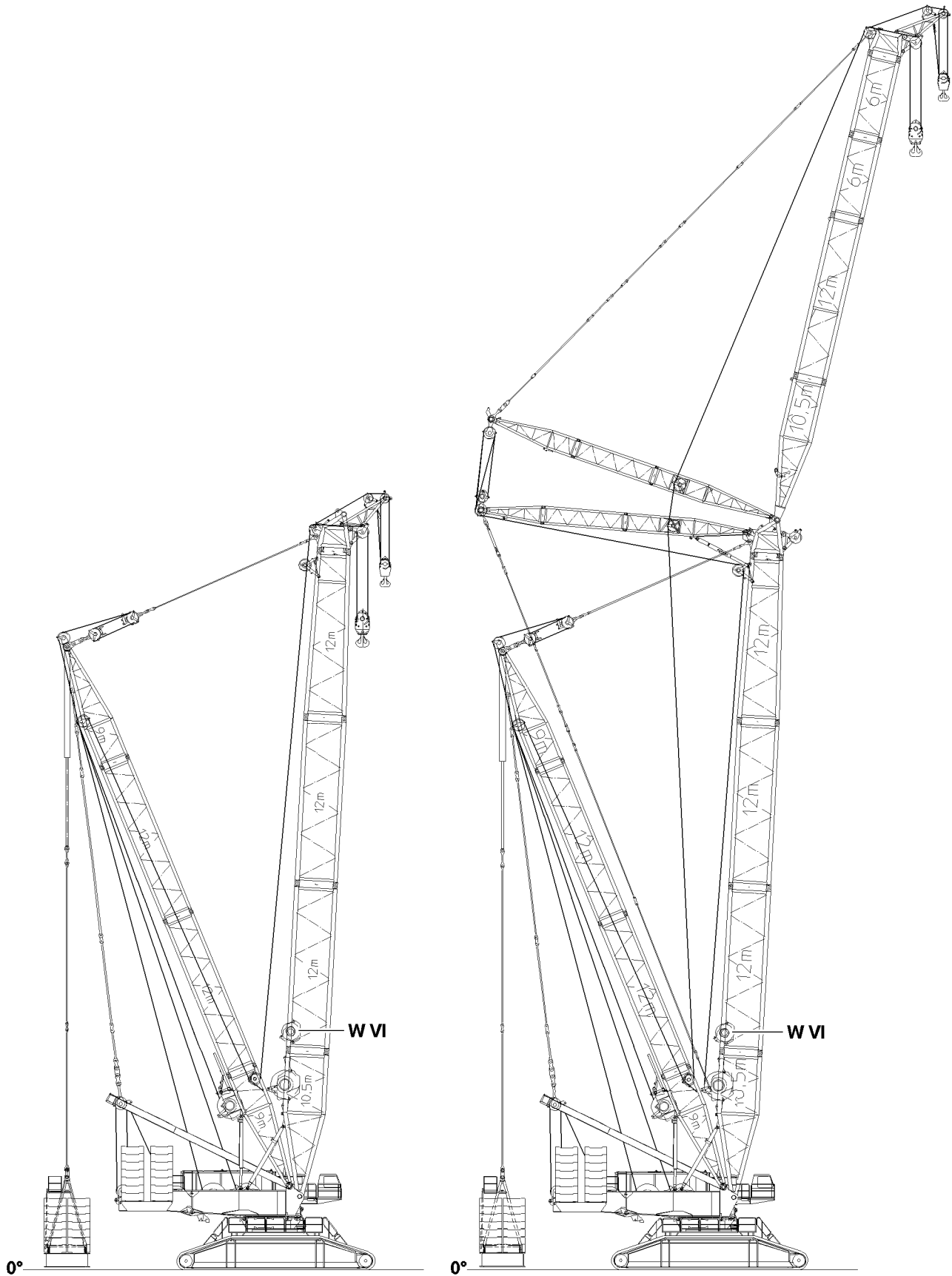


Fig.112926

LWE/LR 11350-005/19004-04-02/en

1.3 Crane operation

Observe the instructions in chapter 4.05, chapter 4.08 and chapter 5.01.

Make sure that the following prerequisites are met:

- The LICCON overload protection has been set according to the data in the load chart.
- The LICCON overload protection is active.
The Assembly icon **50** on the LICCON display is off.



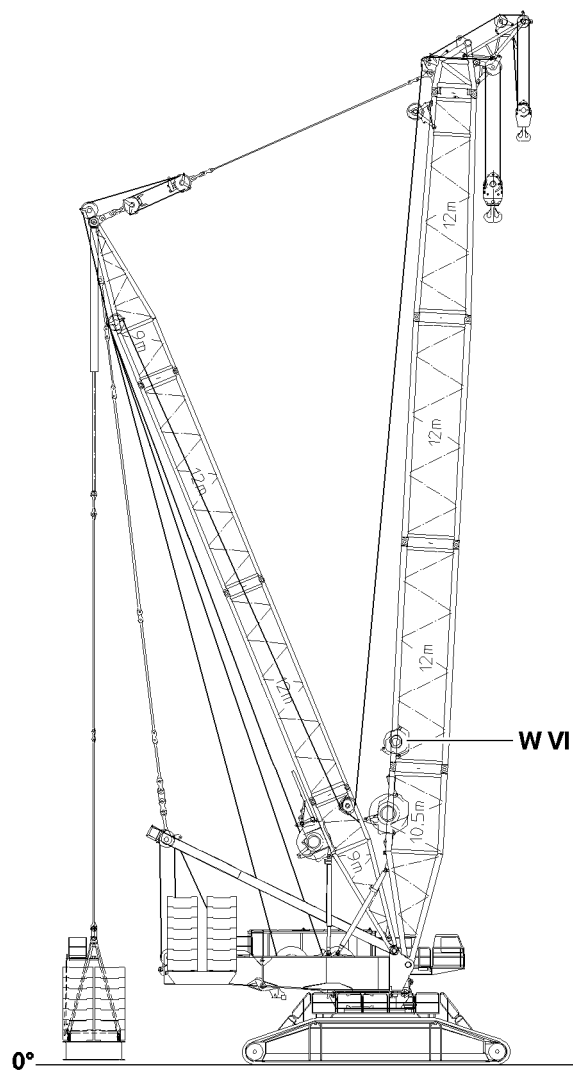
DANGER

The crane can topple over!

- ▶ Check the horizontal position of the crane before and during operation.
 - ▶ If the crane operator leaves the cab, even for a short time, the operating mode setting must be checked and reset, if necessary, before resuming crane operation.
-

1.3.1 Checking the settings

- ▶ Check the function of the overload protection by running against the operating positions on top and bottom.
- ▶ Check the hoist limit switch by running against the hoist limit switch weight.
- ▶ Check the function of the limit switches on the relapse cylinders.
- ▶ Check the function of the force test bracket on the boom nose.



LWE/LR 11350-005/19004-04-02/en

Fig.112925

1.4 Disassembly



WARNING

Risk of falling!

During assembly and disassembly, personnel must be secured with appropriate aids to prevent them from falling. If this is not observed, assembly personnel can fall and suffer life-threatening or fatal injuries!

- ▶ Any work, where there is a danger of falling must be carried out with suitable aids (for example: lifting platforms, scaffoldings, ladders, auxiliary crane)!
- ▶ If the work cannot be carried out with such aids nor from the ground, then the assembly personnel must secure themselves with approved fall arrest systems to avoid falling, see Crane operating instructions chapter 2.04!
- ▶ If railings are present on the components, then they must be brought into the corresponding position and secured for assembly / disassembly work!
- ▶ Step on aids and fall protection equipment only with clean shoes!
- ▶ Keep aids and fall protection equipment clean and free from snow and ice!
- ▶ During all assembly and disassembly work, maintenance work and inspections, travel or crane operation is prohibited!



WARNING

Falling components!

If unsecured or non-supported components are installed or removed, they can fall down!

Personnel can be severely injured or killed!

- ▶ During pinning and unpinning of the lattice sections, it is prohibited for anyone to remain **under or on** the components as well as within the entire danger zone!
- ▶ Support the boom and components before pinning / unpinning!
- ▶ Pin or unpin both pins laying in a horizontal, i.e. **left and right!**
- ▶ Secure the pins in the bearing points and in the receptacles!
- ▶ Do not disengage the auxiliary crane until each component is pinned and secured!
- ▶ It is prohibited to lean a ladder against the component being disassembled!

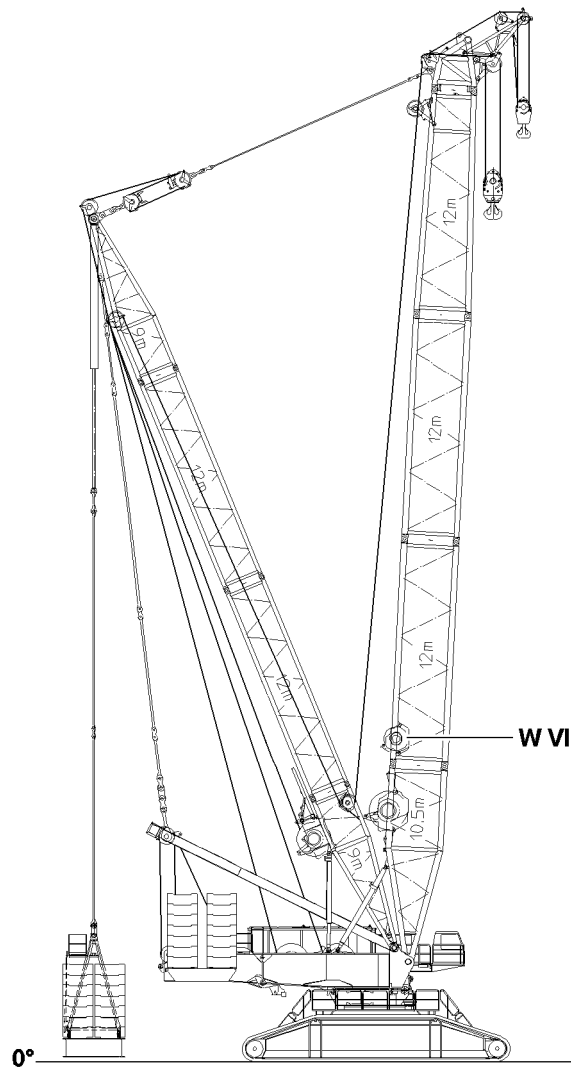


Fig.112925

LWE/LR 11350-005/19004-04-02/en

**WARNING**

Danger of impact / crushing!

When installing / removing crane components with the auxiliary crane, crane components can start to swing back and forth!

When lifting / lowering and positioning crane components, there is an increased danger of impacts / crushing!

Personnel can be severely injured or killed!

- ▶ Make sure that personnel cannot be caught by components!
- ▶ Make sure that the crane is horizontally aligned!
- ▶ When working in danger zones: Use aids to protect limbs!
- ▶ Guide components with suitable aids to minimize oscillation!

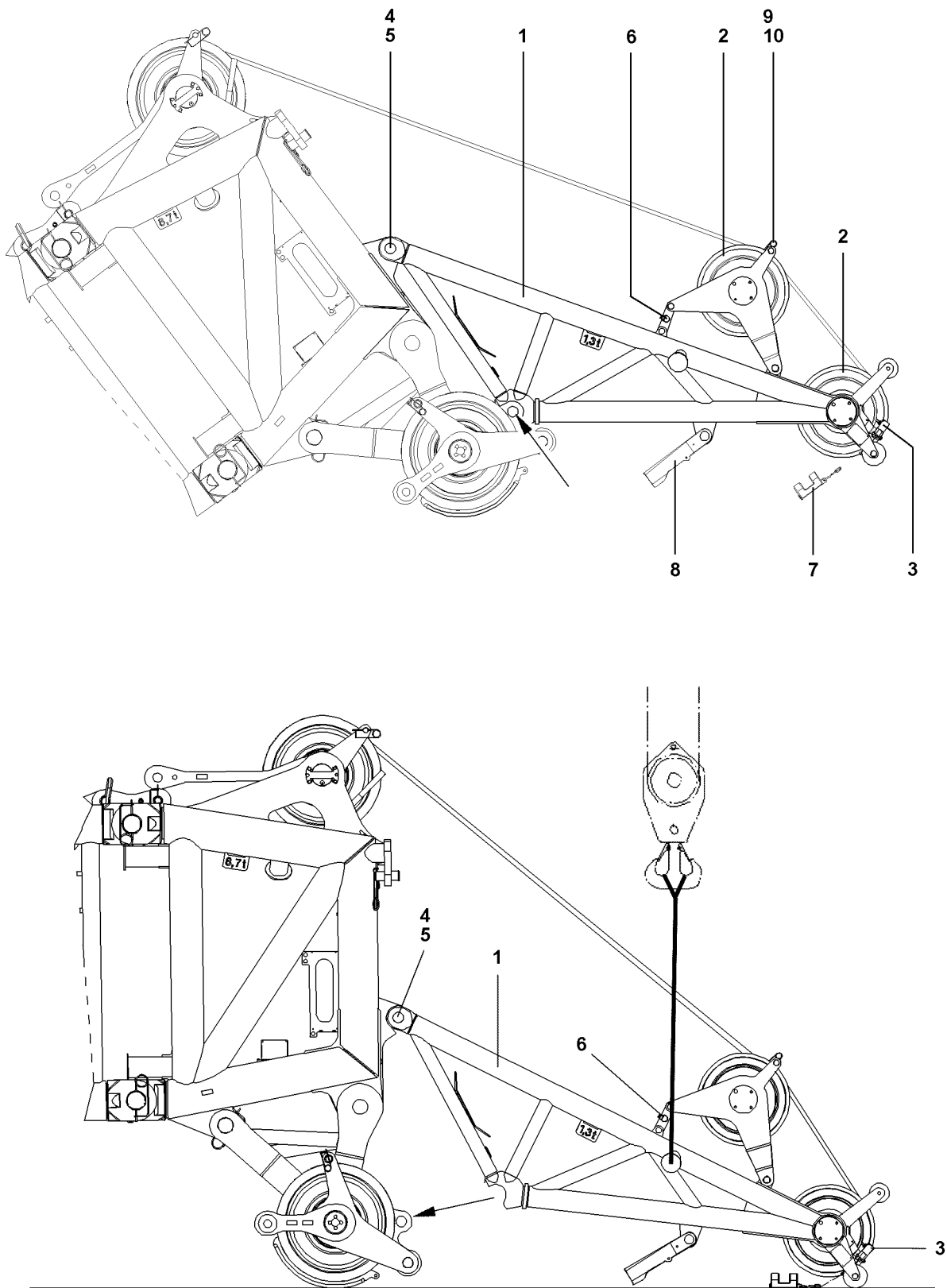
**WARNING**

The crane can topple over!

If the turntable is turned during the disassembly of the boom, then the crane can topple over and be severely damaged!

Personnel can be severely injured or killed!

- ▶ The turntable may not be turned during the disassembly of the boom!



LWE/LR 11350-005/19004-04-02/en

Fig.103007

1.4.1 Luffing the boom down



DANGER

The crane can topple over!

If the following conditions are not met before taking down the boom, the crane can topple over and fatally injure personnel!

- ▶ Observe and adhere to the safety technical notes, see Crane operating instructions, chapter 5.01!
 - ▶ Observe the data in the erection and take down charts!
-

NOTICE

Damage of boom components!

Taking down the boom system can lead to a collision between the hook block and the pulley head. The boom components can be severely damaged!

- ▶ Luff the boom system down at the same time and spool the hoist winch out!
-

**WARNING**

The crane can topple over!

If the danger notes for take down of the boom or the boom systems in the following chapters are not observed, then the crane can topple over!

Personnel can be severely injured or killed!

Boom nose installed on the SW-end section or on the W-connector head:

- ▶ Observe and adhere to the danger notes in the Crane operating instructions, chapter 5.38, chapter 5.39 or chapter 5.07!
-
- ▶ Luff the boom down according to the instructions in the above chapters.

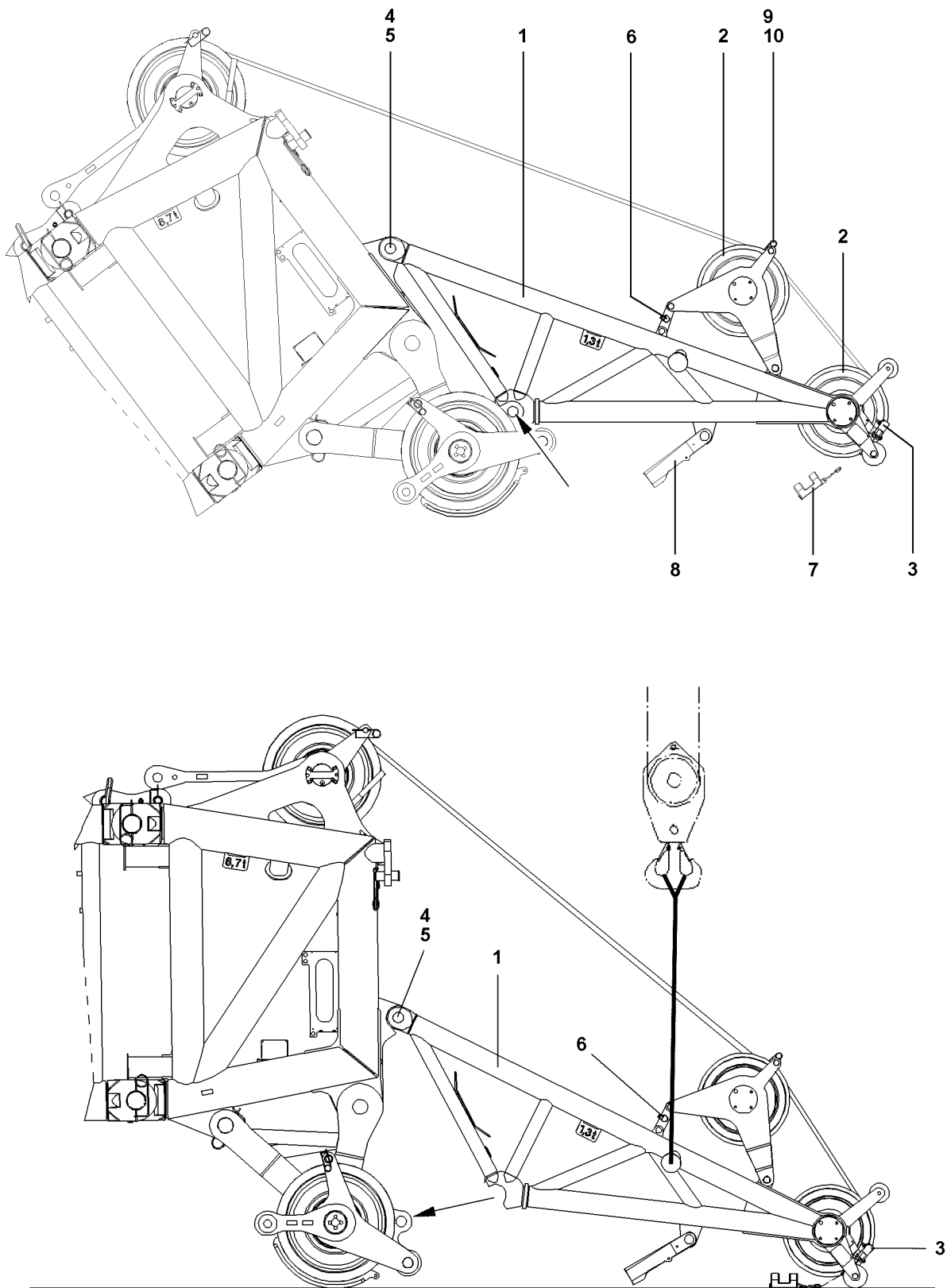


Fig.103007

LWE/LR 11350-005/19004-04-02/en

**WARNING**

Assembly with bypassed / exceeded LICCON overload protection!

With bypassed / exceeded LICCON overload protection, the crane can collapse due to overload, the boom can break off or the crane can topple over!

Personnel can be severely injured or killed!

This could result in high property damage!

- ▶ The LICCON overload protection may only be bypassed / exceeded by persons who are aware of the consequences of a bypass!
- ▶ Bypass / exceed the LICCON overload protection only when the set up status of the crane has been correctly entered into the LICCON computer system!
- ▶ Observe the erection / take down charts!
- ▶ Crane operation with bypassed / exceeded LICCON overload protection is strictly prohibited!

- ▶ At the same time, spool the hoist winch out and luff the boom down until the hook block touches the ground.
- ▶ Remove the hoist limit switch weight and unreeve the hook block.
- ▶ Luff the boom down until the S-end section and the boom nose are laying on the ground.
- ▶ Remove the hoist rope.

1.4.2 Disconnecting the electrical connections

Make sure that the following prerequisite is met:

- The boom is properly placed down as specified.

NOTICE

Damage to the electrical connections on the cable drum!

If the electrical connection from the cable drum on the S-pivot section to the terminal box on the respective end section is disconnected and spooled up, then the electrical connection from the cable drum to the terminal box on the S-pivot section can be damaged!

- ▶ Disconnect the electrical connection from the cable drum to the terminal box on the S-pivot section first and then the electrical connection from the terminal box to the respective end section!
- ▶ Store the cable from the terminal box on the S-pivot section properly.
- ▶ Spool the cable drum up and secure it to prevent inadvertent spooling out.

1.4.3 Removing the boom nose

Make sure that the following prerequisites are met:

- The boom nose hangs on the auxiliary crane.
- The boom end section and the boom nose are laying on the ground.
- The electrical connections are properly disconnected.
- ▶ Release the spring retainer **5** and unpin the pin **4** on the end section „on top“.
- ▶ Place the boom nose **1** on the ground, remove the auxiliary crane.

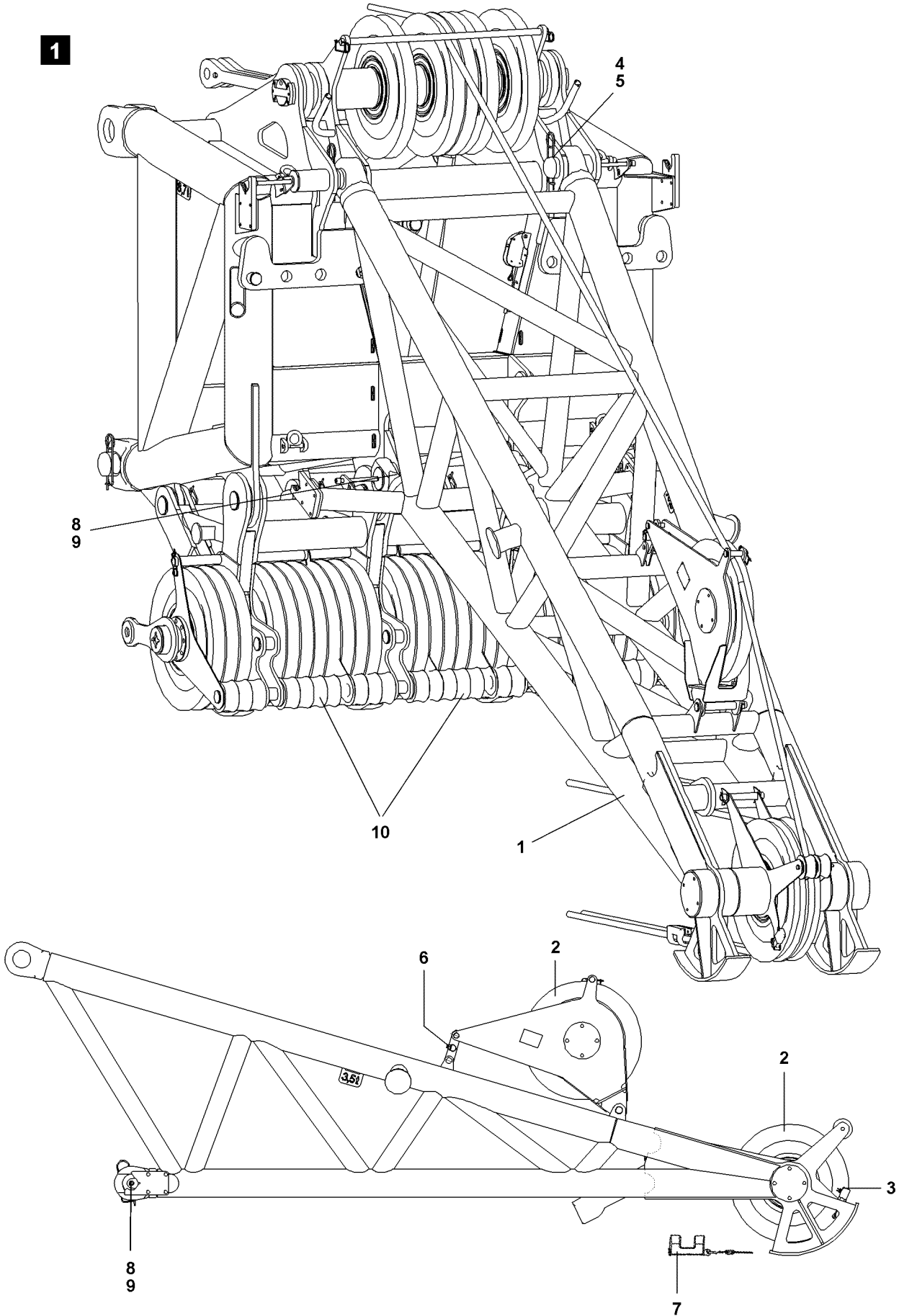


Fig.103344

LWE/LR 11350-005/19004-04-02/en

2 Boom nose 120 t

The boom nose 1 is installed on the **SW**-end section.

Illustration 1

Boom nose 1 on **SW**-end section with two 675 t pulley sets 10.

2.1 Components

Position	Description	Weight
1	Boom nose 120 t	3.8 t
2	Rope pulley	—
3	Hoist limit switch	—
4	Pin 135 mm	—
5	Spring retainer 8 mm	—
6	Force test bracket	—
7	Hoist limit switch weight	—
8	Pin 135 mm	—
9	Spring retainer 8 mm	—
10	Pulley sets	—

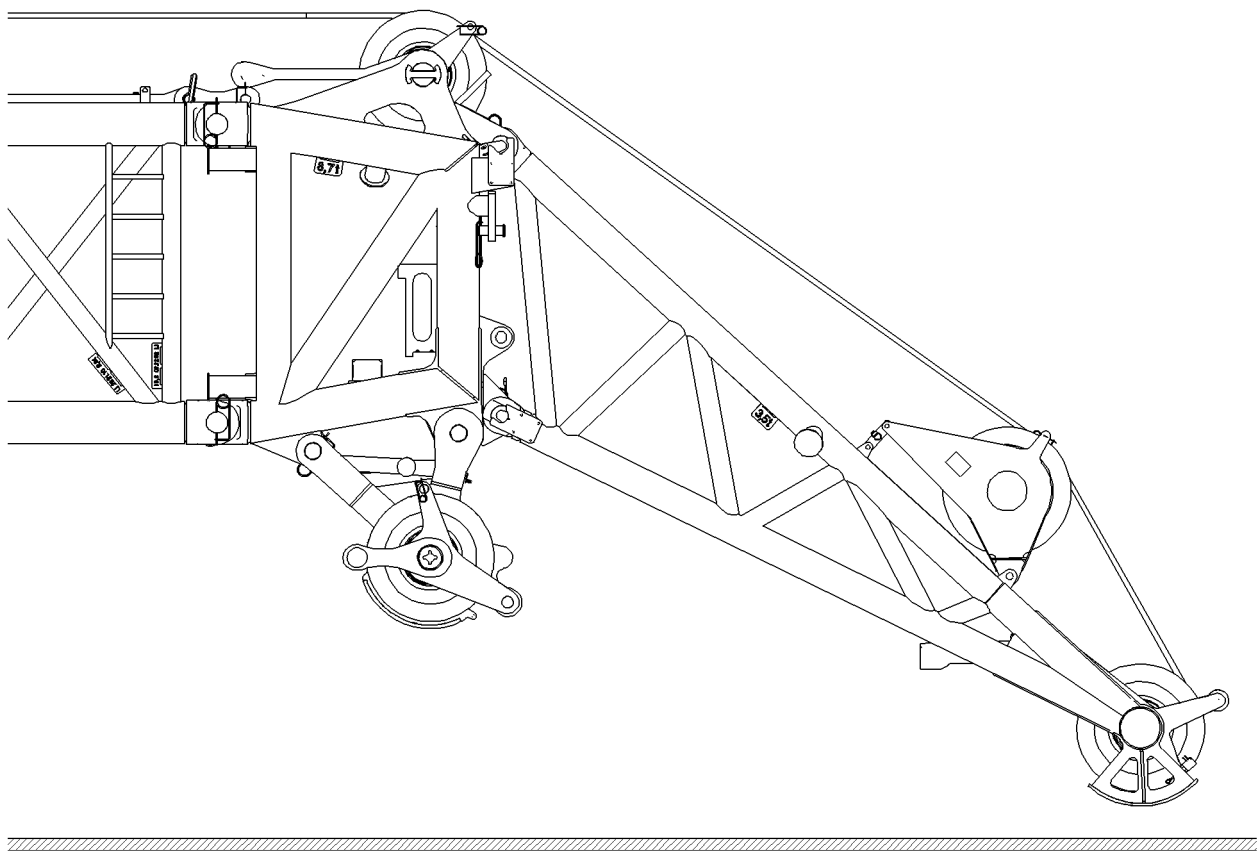


Fig.112927

LWE/LR 11350-005/19004-04-02/en

2.2 Assembly



WARNING

Risk of falling!

During assembly and disassembly, personnel must be secured with appropriate aids to prevent them from falling. If this is not observed, assembly personnel can fall and suffer life-threatening or fatal injuries!

- ▶ Any work, where there is a danger of falling must be carried out with suitable aids (for example: lifting platforms, scaffoldings, ladders, auxiliary crane)!
- ▶ If the work cannot be carried out with such aids nor from the ground, then the assembly personnel must secure themselves with approved fall arrest systems to avoid falling, see Crane operating instructions chapter 2.04!
- ▶ If railings are present on the components, then they must be brought into the corresponding position and secured for assembly / disassembly work!
- ▶ Step on aids and fall protection equipment only with clean shoes!
- ▶ Keep aids and fall protection equipment clean and free from snow and ice!
- ▶ During all assembly and disassembly work, maintenance work and inspections, travel or crane operation is prohibited!



WARNING

Falling components!

If unsecured or non-supported components are installed or removed, they can fall down!

Personnel can be severely injured or killed!

- ▶ During pinning and unpinning of the lattice sections, it is prohibited for anyone to remain **under or on** the components as well as within the entire danger zone!
- ▶ Support the boom and components before pinning / unpinning!
- ▶ Pin or unpin both pins laying in a horizontal, i.e. **left and right!**
- ▶ Secure the pins in the bearing points and in the receptacles!
- ▶ Do not disengage the auxiliary crane until each component is pinned and secured!
- ▶ It is prohibited to lean a ladder against the component being disassembled!

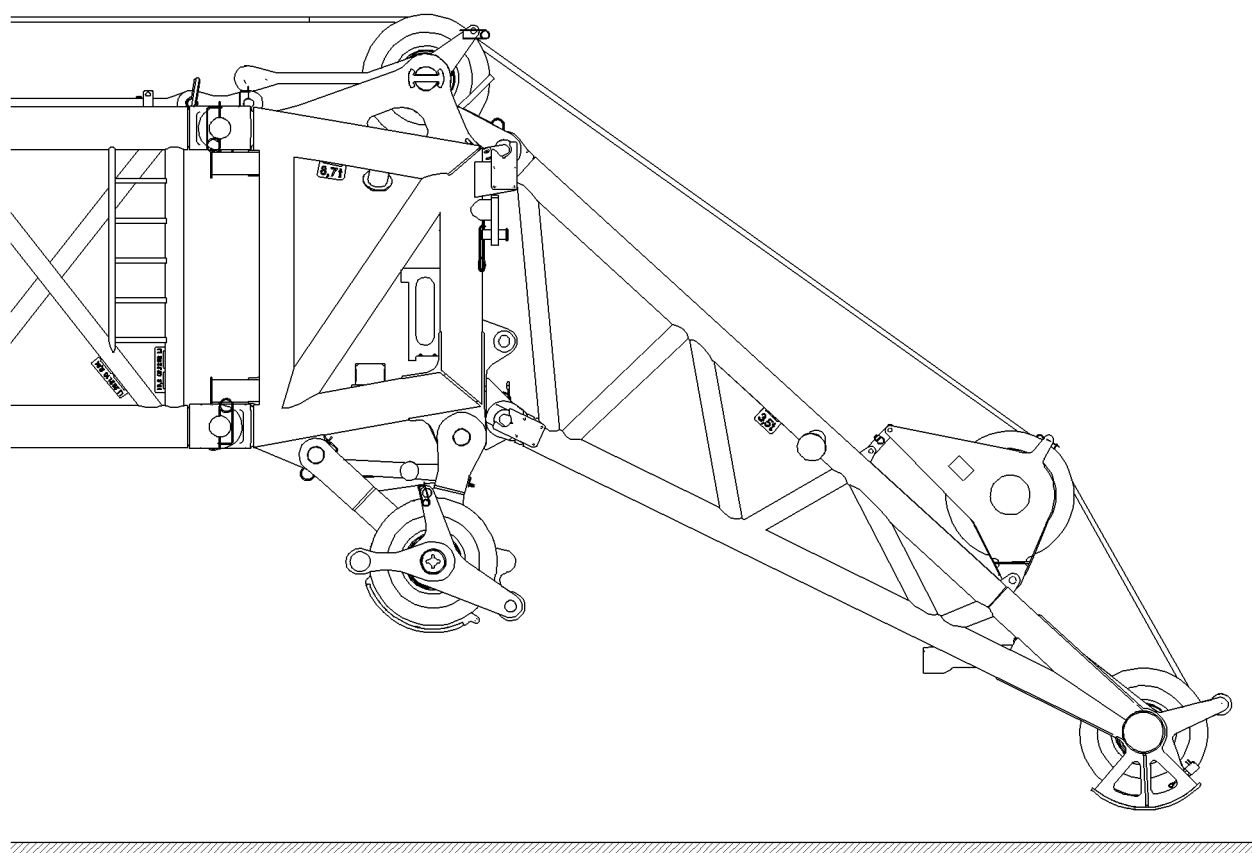


Fig.112927

LWE/LR 11350-005/19004-04-02/en

**WARNING**

Danger of impact / crushing!

When installing / removing crane components with the auxiliary crane, crane components can start to swing back and forth!

When lifting / lowering and positioning crane components, there is an increased danger of impacts / crushing!

Personnel can be severely injured or killed!

- ▶ Make sure that personnel cannot be caught by components!
- ▶ Make sure that the crane is horizontally aligned!
- ▶ When working in danger zones: Use aids to protect limbs!
- ▶ Guide components with suitable aids to minimize oscillation!

**WARNING**

The crane can topple over!

If the turntable is turned during the assembly of the boom, then the crane can topple over and be severely damaged!

Personnel can be severely injured or killed!

- ▶ The turntable may not be turned during the assembly of the boom!

2.2.1 Assembly prerequisites for boom nose(s)

**WARNING**

Assembly with bypassed / exceeded LICCON overload protection!

With bypassed / exceeded LICCON overload protection, the crane can collapse due to overload, the boom can break off or the crane can topple over!

Personnel can be severely injured or killed!

This could result in high property damage!

- ▶ The LICCON overload protection may only be bypassed / exceeded by persons who are aware of the consequences of a bypass!
- ▶ Bypass / exceed the LICCON overload protection only when the set up status of the crane has been correctly entered into the LICCON computer system!
- ▶ Observe the erection / take down charts!
- ▶ Crane operation with bypassed / exceeded LICCON overload protection is strictly prohibited!

Make sure that the following prerequisites are met:

- The crane is aligned in horizontal direction.
- The boom including the respective end section are installed.
- The boom is placed on a load-bearing support.
- The counterweight has been installed on the turntable according to the load chart.
- The LICCON overload protection has been set according to the data in the load chart.
- The LICCON overload protection is exceeded.
- The assembly icon is visible on the LICCON monitor.
- An auxiliary crane is available.

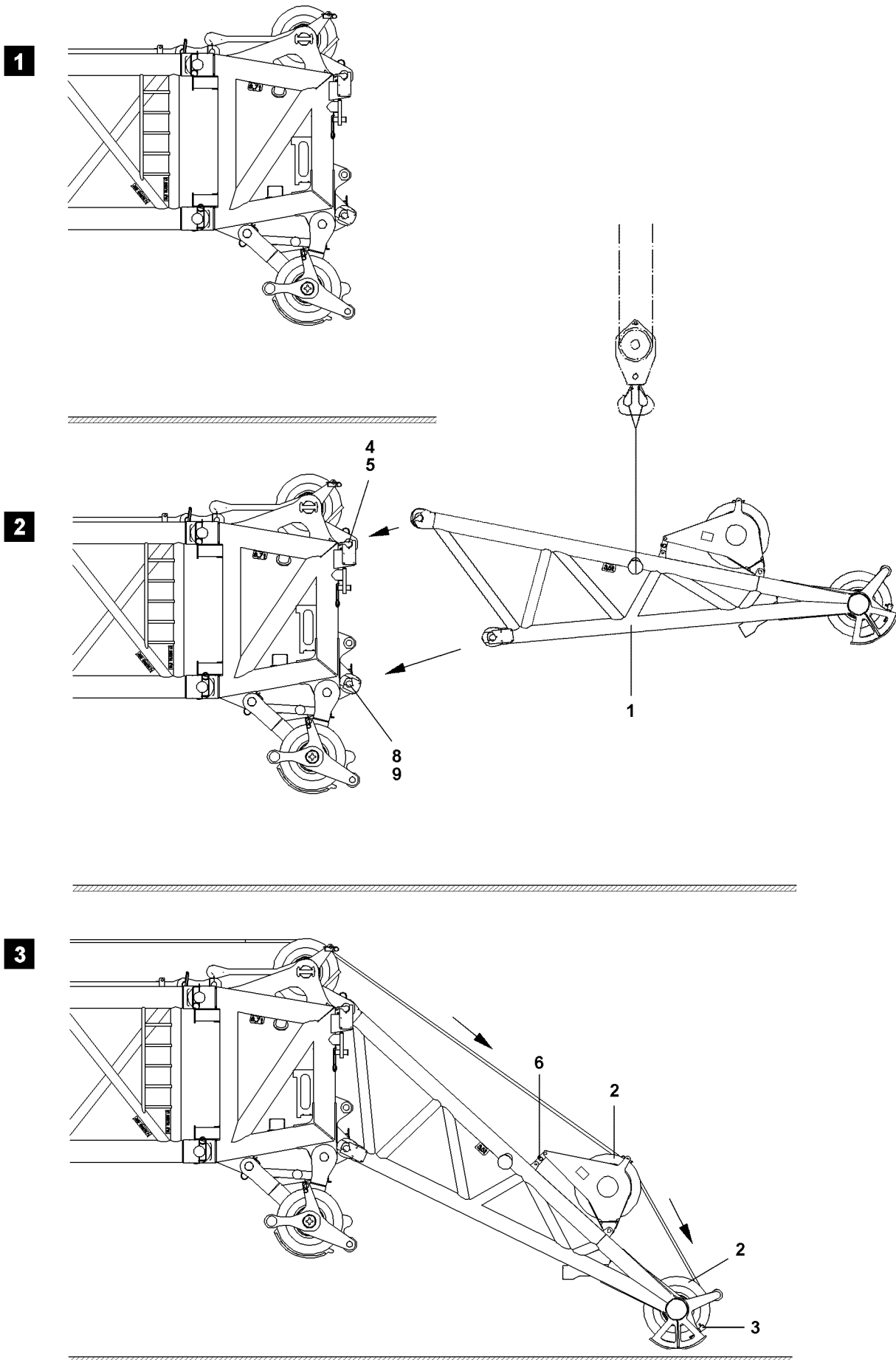


Fig.103346

LWE/LR 11350-005/19004-04-02/en

2.2.2 Assembly procedure

Make sure that the following prerequisite is met:

- The boom is luffed up to the point where it is parallel to the ground, see illustration 1.
- ▶ Hang the boom nose 1 on the auxiliary crane and insert the pin 4 on the end section „on top“ and secure with spring retainer 5.
- ▶ Lower the boom nose 1 and insert the pin 8 on the end section „on the bottom“ and secure with spring retainer 9, see illustration 2.



Note

- ▶ The boom can be taken down up to a maximum boom length of SL- 102 m.
- ▶ For longer booms, the lower pins of the boom nose must be unpinned before take down.

NOTICE

Damage of boom nose!

- ▶ If the boom nose is pinned on top and bottom on the end section, then the boom may be luffed down only to the point where the boom nose is not laying on the ground.
- ▶ Pull the hoist rope over the rope pulleys 2, see illustration 3.



Note

- ▶ Pull the hoist rope over the rope pulleys according to the Reeving plan.



WARNING

Falling hoist rope!

If the hoist rope is not properly secured with a corresponding length on the boom nose before the erection procedure, then it can fall backward due to its own weight!

Personnel can be severely injured or killed!

- ▶ Reeve in the hoist rope with sufficient length on the boom nose before the erection process!
- ▶ The hoist rope must be constantly monitored during erection!
- ▶ Do not step into the danger zone!

- ▶ Reeve hook block properly and attach hoist limit switch weight.



Note

- ▶ Reeve in the hoist rope according to the Reeving plan.

2.2.3 Establishing the electrical connections

NOTICE

Damage to the electrical connection on the cable drum!

If the electrical connection from the cable drum on the S-pivot section to the terminal box on the S-pivot section is established first before the connection to the terminal box on the respective end section, the electrical connection can be damaged when spooling out the cable drum!

- ▶ Establish first the electrical connection from the cable drum in the S-pivot section to the terminal box on the respective end section and then the electrical connection from the terminal box in the S-pivot section to the cable drum in the S-pivot section!



Note

- ▶ To establish the electrical connections, use the electrical wiring diagram!

Make sure that the following prerequisites are met:

- The boom is fully assembled.
- The airplane warning light and the wind speed sensor are assembled.
- ▶ Establish the electrical connections.
- ▶ Make sure that all electrical connections on the boom are established.

2.2.4 Function check



WARNING

Non-functioning safety devices!

If the function of the safety devices is defective, personnel can be severely injured or killed!

- ▶ Crane operation with non-functioning safety devices is **prohibited!**



Note

- ▶ The function of the individual limit switches must be checked before erection!
- ▶ The function of the limit switch initiators must be checked in the test system, see Diagnostics manual!



Note

- ▶ If a function check on the limit switches or on the safety devices does not lead to the desired shut offs, then the plug connections on the terminal boxes or the components itself must be checked!
- ▶ If no visible connection errors or component defects can be found, contact **LIEBHERR** service!

Make sure that the following prerequisites are met:

- All electrical connections have been made.
- The crane engine is running.
- The corresponding operating mode is set on the LICCON monitor.

Checking the wind speed sensor

- ▶ Test the movement and the function of the wind speed sensor.

Checking the airplane warning light

- ▶ Turn the airplane warning light on.
- ▶ Check the function visually.

Checking the hoist limit switch on the pulley head



Note

- ▶ When replacing or changing a hoist limit switch (HES), the corresponding hoist limit switch must have the correct bus address and the correct software version in order to be detected again by the bus system (LSB)!

- ▶ Actuate the hoist limit switch manually on the pulley head.

Result:

- The spool up function of the hoist winch turns off.
- The icon „Hoist top“ appears on the LICCON monitor 0.
- The limit switch is functioning.

Checking the limit switch S-boom „Steepest position“



Note

- ▶ The limit switch functions have to be checked individually before erection!

- ▶ Cover the limit switch initiators on the S-relapse cylinders individually with a metal plate.

Result:

- The limit switch is actuated manually.
- The spool up function of winch 4 turns off.
- The icon „Boom limitation“ appears on the LICCON monitor 0.
- The limit switch is functioning.

Empty page!

LWE/LR 11350-005/19004-04-02/en

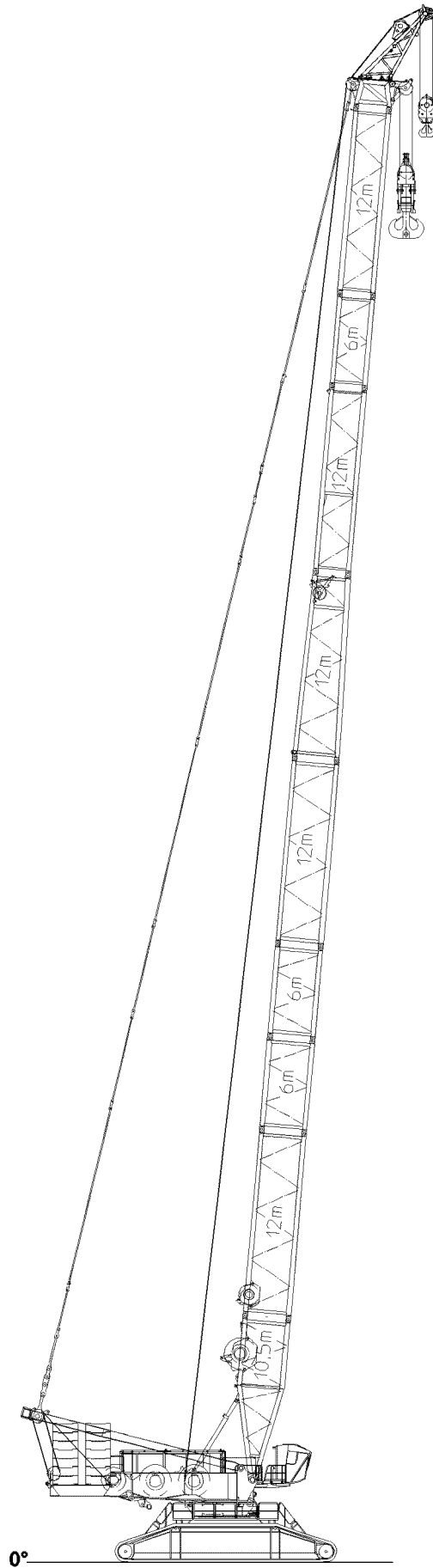


Fig.112928

LWE/LR 11350-005/19004-04-02/en

2.2.5 Erecting the boom



DANGER

The crane can topple over!

If the following conditions are not met before erecting the boom, the crane can topple over and fatally injure personnel!

- ▶ Observe and adhere to the safety technical notes, see Crane operating instructions, chapter 5.01!
- ▶ Observe the data in the erection and take down charts!
- ▶ Move the relapse cylinder out before erection!

Make sure that the following prerequisite is met:

- The LICCON overload protection is bypassed / exceeded.

Erection



WARNING

The crane can topple over!

In crane operation with exceeded LICCON overload protection, the crane can topple over!

Personnel can be severely injured or killed!

- ▶ The radii listed in the load chart may not be exceeded or fallen below, even if there is no load on the hook!



Note

- ▶ When the lowest operating position of the boom is reached, the LICCON overload protection is activated!
 - ▶ In the maximum load icon appears a load number in „t“ instead of the display „???“!
-
- ▶ Luff the S-boom up to the lowest operating position.
 - ▶ When the boom has reached the lowest operating position: Make sure that the assembly icon turns off on the LICCON monitor.

Result:

- The LICCON overload protection is active.

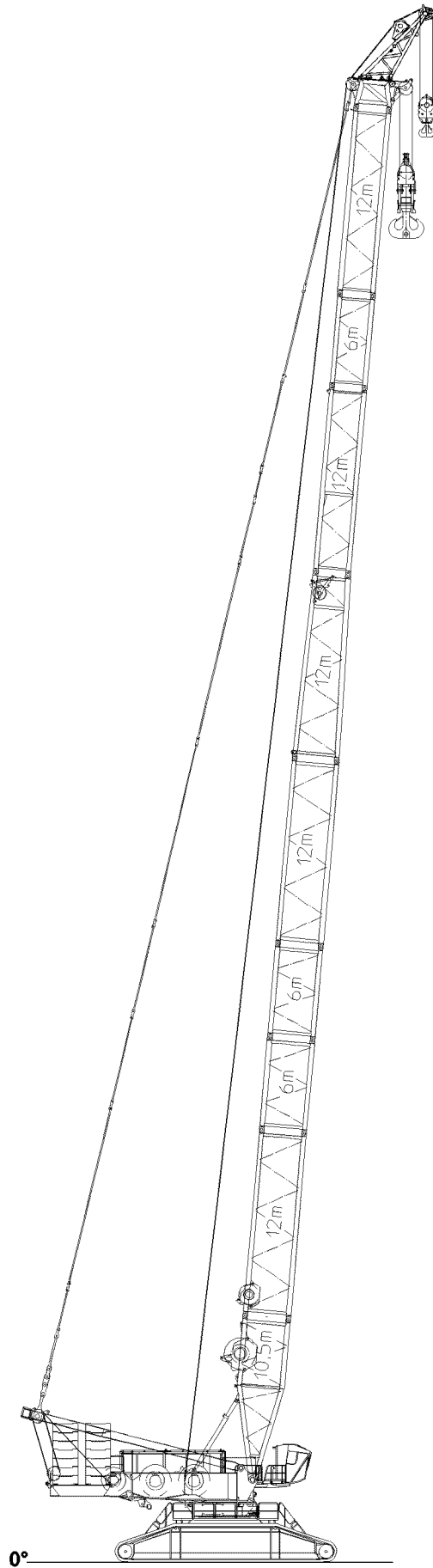


Fig.112928

LWE/LR 11350-005/19004-04-02/en

2.3 Crane operation

Observe the instructions in chapter 4.05, chapter 4.08 and chapter 5.01.

Make sure that the following prerequisites are met:

- The LICCON overload protection has been set according to the data in the load chart.
- The LICCON overload protection is active.
The Assembly icon **50** on the LICCON display is off.



DANGER

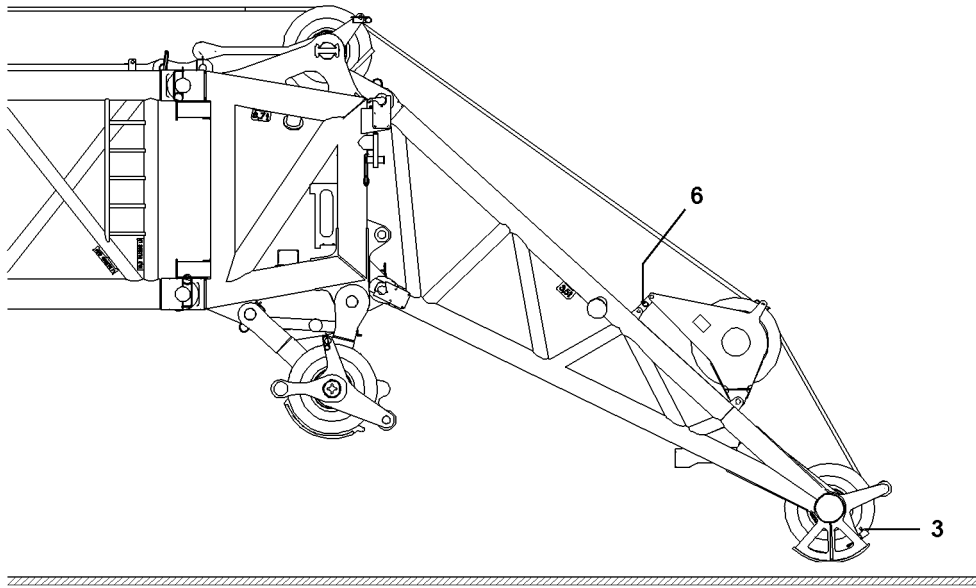
The crane can topple over!

- ▶ Check the horizontal position of the crane before and during operation.
 - ▶ If the crane operator leaves the cab, even for a short time, the operating mode setting must be checked and reset, if necessary, before resuming crane operation.
-

2.3.1 Checking the settings

- ▶ Check the function of the overload protection by running against the operating positions on top and bottom.
- ▶ Check the hoist limit switch by running against the hoist limit switch weight.
- ▶ Check the function of the limit switches on the relapse cylinders.
- ▶ Check the function of the force test bracket on the boom nose.

1



2

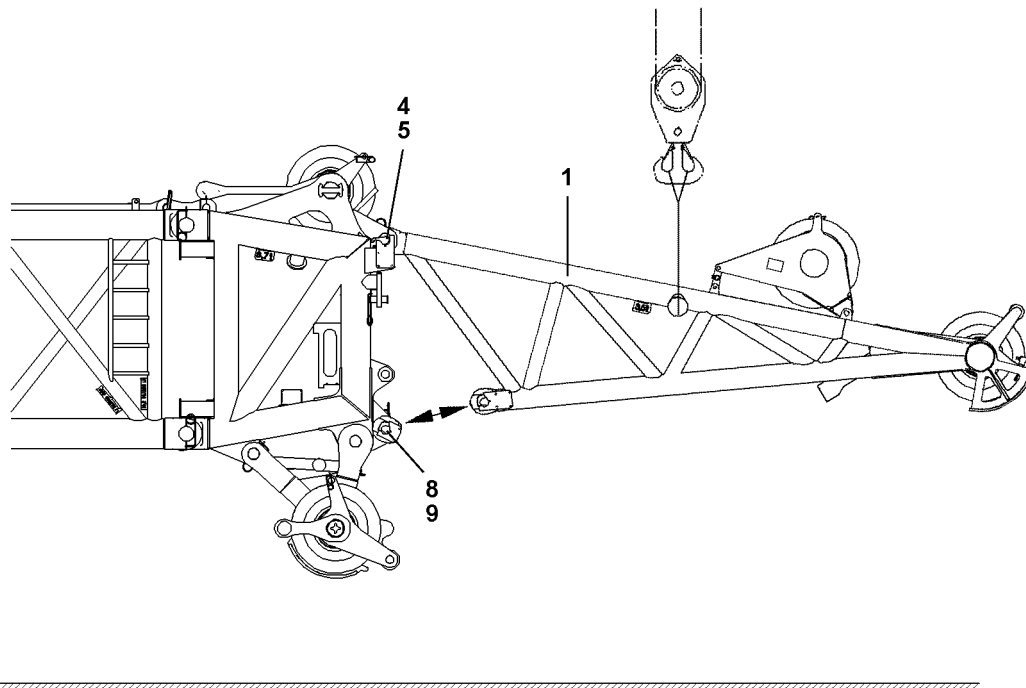


Fig.112929

2.4 Disassembly



WARNING

Risk of falling!

During assembly and disassembly, personnel must be secured with appropriate aids to prevent them from falling. If this is not observed, assembly personnel can fall and suffer life-threatening or fatal injuries!

- ▶ Any work, where there is a danger of falling must be carried out with suitable aids (for example: lifting platforms, scaffoldings, ladders, auxiliary crane)!
- ▶ If the work cannot be carried out with such aids nor from the ground, then the assembly personnel must secure themselves with approved fall arrest systems to avoid falling, see Crane operating instructions chapter 2.04!
- ▶ If railings are present on the components, then they must be brought into the corresponding position and secured for assembly / disassembly work!
- ▶ Step on aids and fall protection equipment only with clean shoes!
- ▶ Keep aids and fall protection equipment clean and free from snow and ice!
- ▶ During all assembly and disassembly work, maintenance work and inspections, travel or crane operation is prohibited!



WARNING

Falling components!

If unsecured or non-supported components are installed or removed, they can fall down!

Personnel can be severely injured or killed!

- ▶ During pinning and unpinning of the lattice sections, it is prohibited for anyone to remain **under or on** the components as well as within the entire danger zone!
- ▶ Support the boom and components before pinning / unpinning!
- ▶ Pin or unpin both pins laying in a horizontal, i.e. **left and right!**
- ▶ Secure the pins in the bearing points and in the receptacles!
- ▶ Do not disengage the auxiliary crane until each component is pinned and secured!
- ▶ It is prohibited to lean a ladder against the component being disassembled!

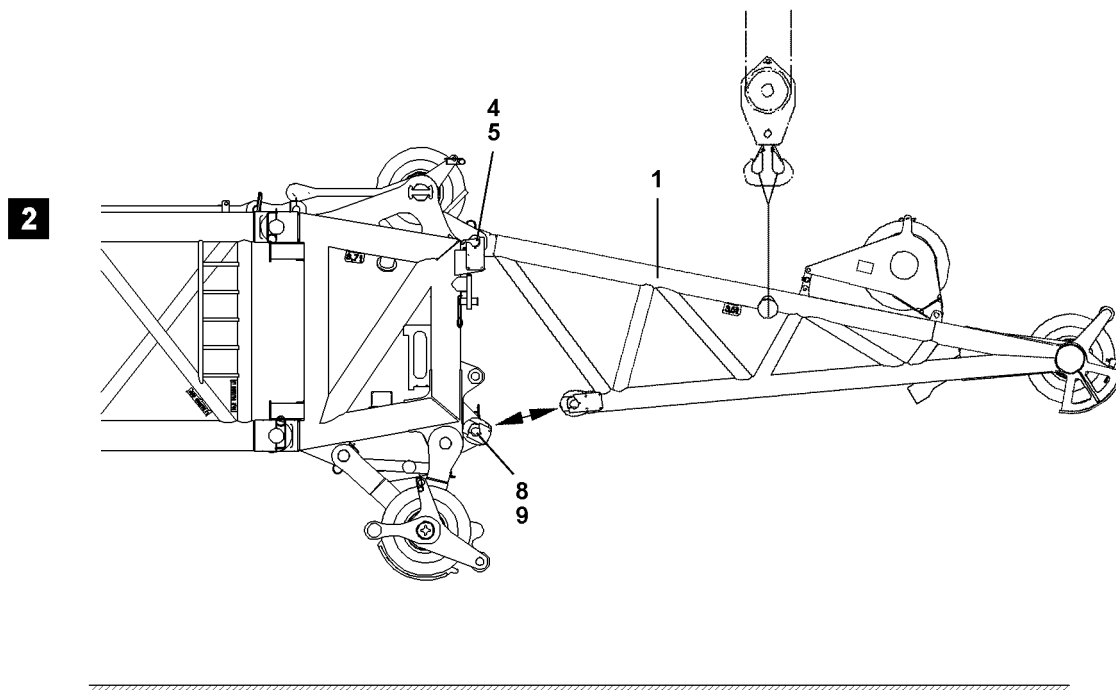
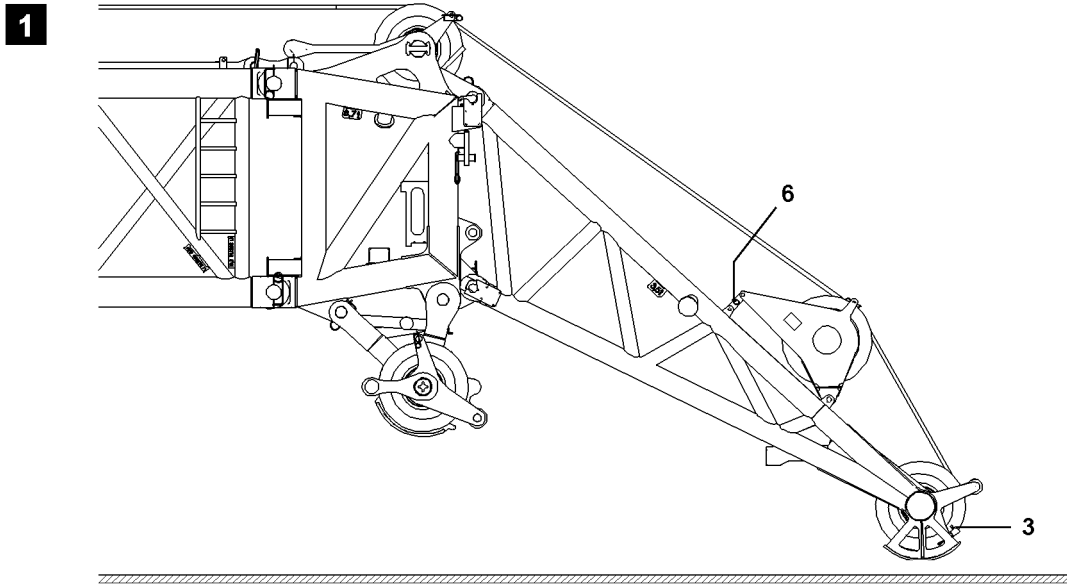


Fig.112929

**WARNING**

Danger of impact / crushing!

When installing / removing crane components with the auxiliary crane, crane components can start to swing back and forth!

When lifting / lowering and positioning crane components, there is an increased danger of impacts / crushing!

Personnel can be severely injured or killed!

- ▶ Make sure that personnel cannot be caught by components!
- ▶ Make sure that the crane is horizontally aligned!
- ▶ When working in danger zones: Use aids to protect limbs!
- ▶ Guide components with suitable aids to minimize oscillation!

**WARNING**

The crane can topple over!

If the turntable is turned during the assembly of the boom, then the crane can topple over and be severely damaged!

Personnel can be severely injured or killed!

- ▶ The turntable may not be turned during the assembly of the boom!

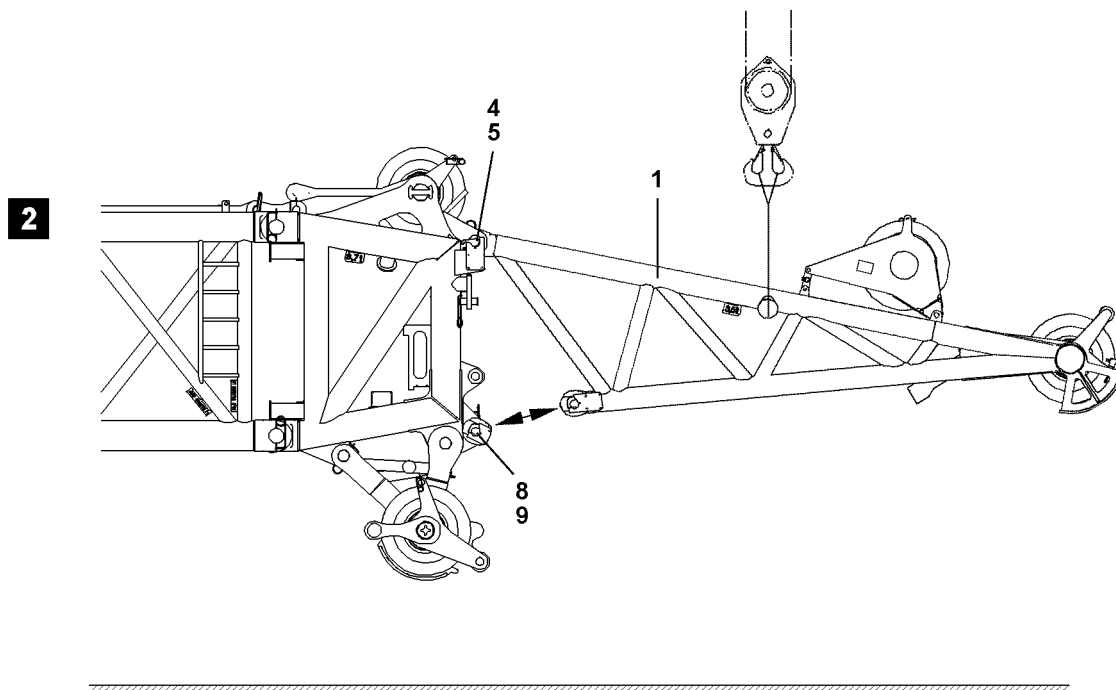
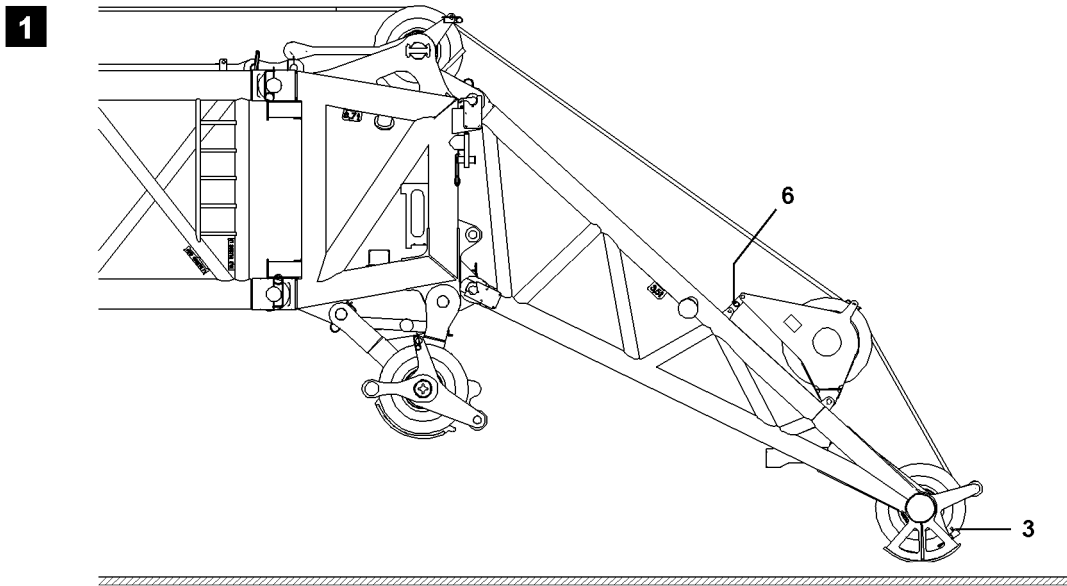


Fig.112929

2.4.1 Luffing the boom down



DANGER

The crane can topple over!

If the following conditions are not met before taking down the boom, the crane can topple over and fatally injure personnel!

- ▶ Observe and adhere to the safety technical notes, see Crane operating instructions, chapter 5.01!
- ▶ Observe the data in the erection and take down charts!

NOTICE

Damage of boom components!

Taking down the boom system can lead to a collision between the hook block and the pulley head. The boom components can be severely damaged!

- ▶ Luff the boom system down at the same time and spool the hoist winch out!



WARNING

The crane can topple over!

If the danger notes for take down of the boom or the boom systems in the following chapters are not observed, then the crane can topple over!

Personnel can be severely injured or killed!

Boom nose installed on SW-end section:

- ▶ Observe and adhere to the danger notes in the Crane operating instructions, chapter 5.38, chapter 5.39 or chapter 5.07!
- ▶ Luff the boom down according to the instructions in the above chapters.

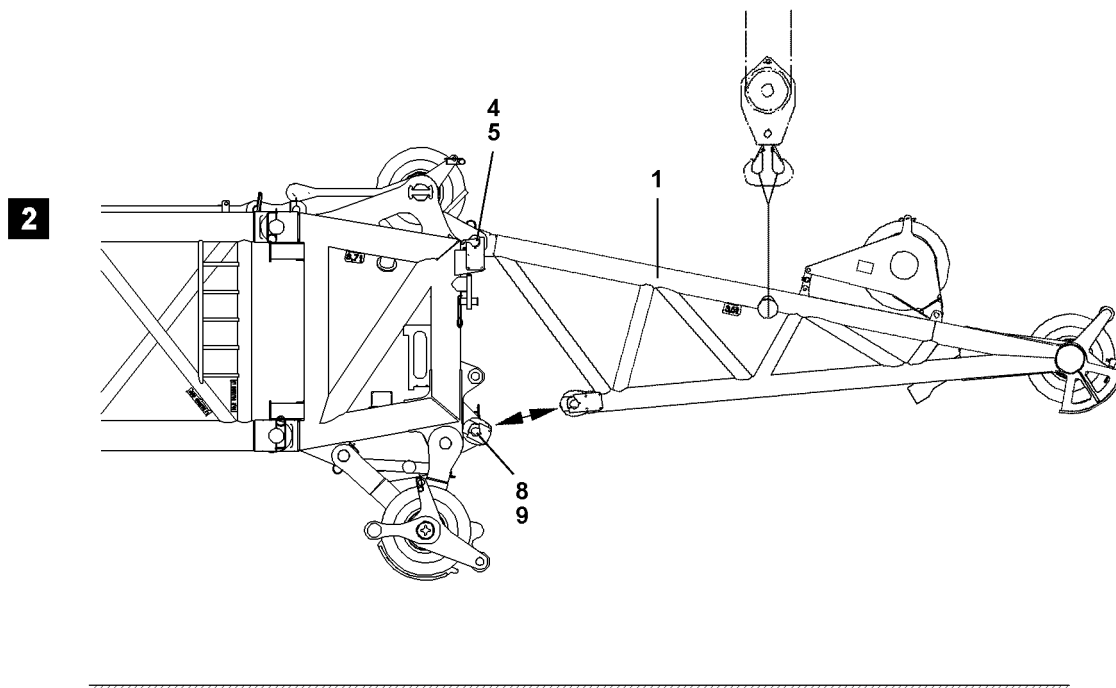
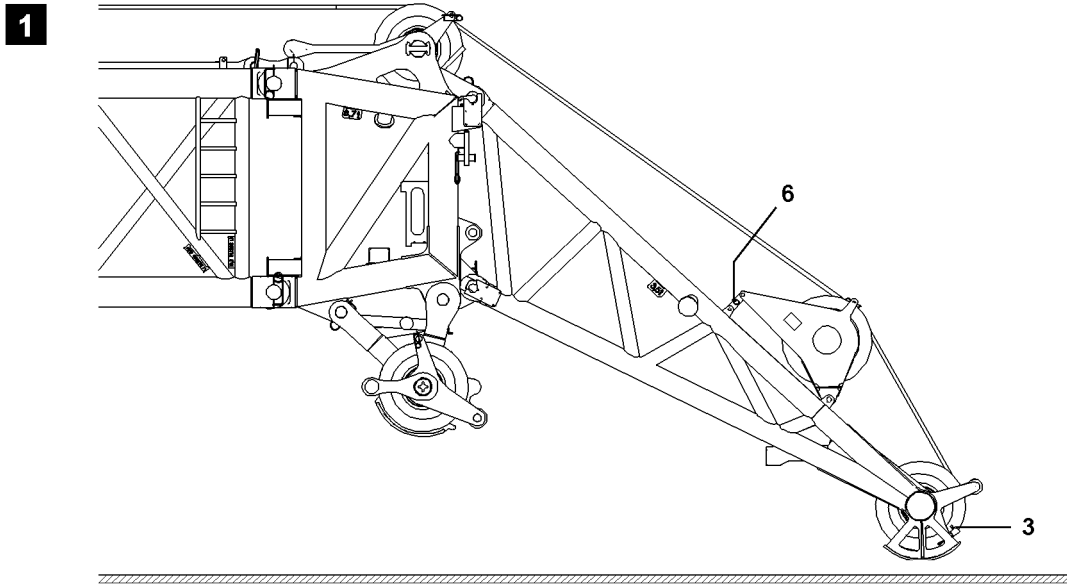


Fig.112929

**WARNING**

Assembly with bypassed / exceeded LICCON overload protection!

With bypassed / exceeded LICCON overload protection, the crane can collapse due to overload, the boom can break off or the crane can topple over!

Personnel can be severely injured or killed!

This could result in high property damage!

- ▶ The LICCON overload protection may only be bypassed / exceeded by persons who are aware of the consequences of a bypass!
- ▶ Bypass / exceed the LICCON overload protection only when the set up status of the crane has been correctly entered into the LICCON computer system!
- ▶ Observe the erection / take down charts!
- ▶ Crane operation with bypassed / exceeded LICCON overload protection is strictly prohibited!

▶ Luff the boom down until hook block touches the ground.

▶ Remove the hoist limit switch weight and unreeve the hook block.

**Note**

▶ The boom can be taken down up to a maximum boom length of SL- 102 m.

▶ For longer booms, the lower pins of the boom nose must be unpinned before take down.

NOTICE

Damage of boom nose!

▶ If the boom nose is pinned on top and bottom on the end section, then the boom may be luffed down only to the point where the boom nose is not laying on the ground.

▶ Luff the boom down until the boom nose just above the ground.

▶ Remove the hoist rope.

▶ Hang the boom nose **1** onto the auxiliary crane.

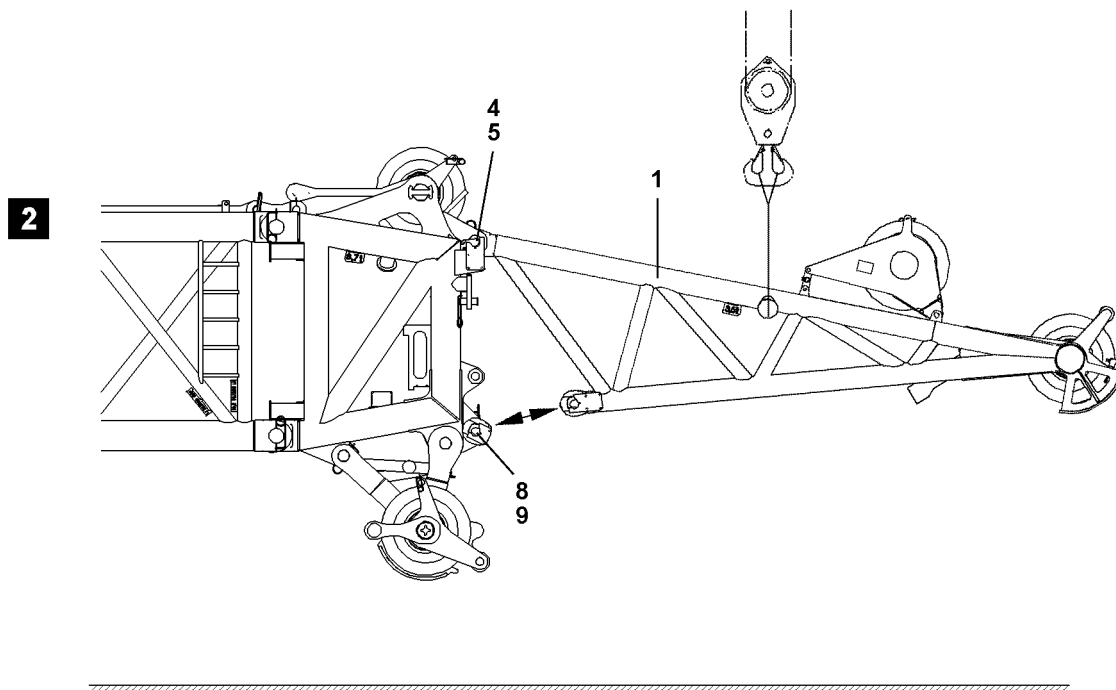
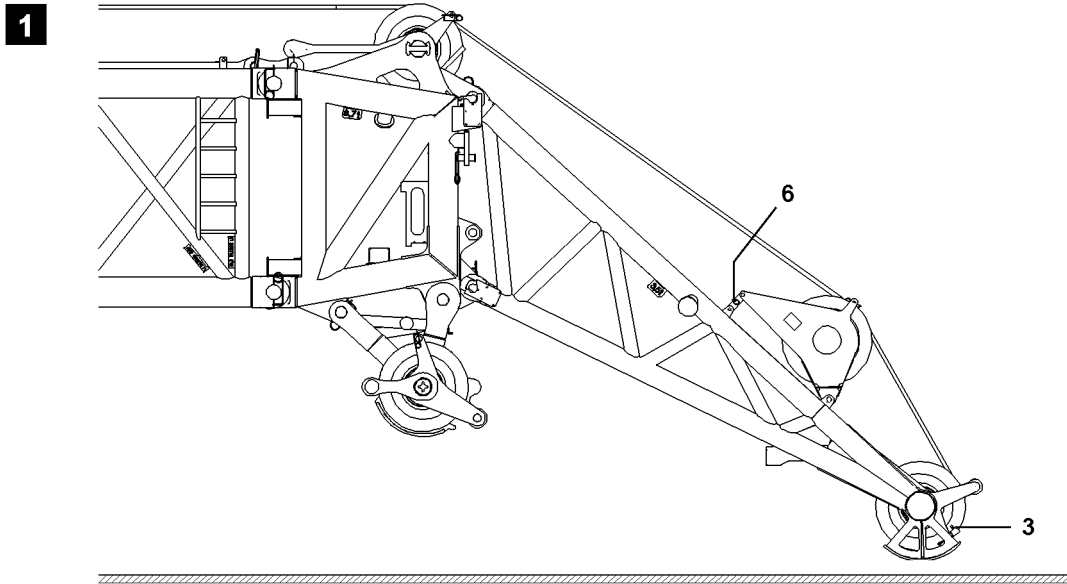


Fig.112929

2.4.2 Disconnecting the electrical connections

Make sure that the following prerequisite is met:

- The boom is properly placed down as specified.

NOTICE

Damage to the electrical connections on the cable drum!

If the electrical connection from the cable drum on the S-pivot section to the terminal box on the respective end section is disconnected and spooled up, then the electrical connection from the cable drum to the terminal box on the S-pivot section can be damaged!

- ▶ Disconnect the electrical connection from the cable drum to the terminal box on the S-pivot section first and then the electrical connection from the terminal box to the respective end section!
-
- ▶ Store the cable from the terminal box on the S-pivot section properly.
 - ▶ Spool the cable drum up and secure it to prevent inadvertent spooling out.

2.4.3 Removing the boom nose

Make sure that the following prerequisites are met:

- The boom nose hangs on the auxiliary crane.
 - The boom end section and the boom nose are laying on the ground.
 - The electrical connections are properly disconnected.
- ▶ Release the spring retainer **9** and unpin the pin **8** on the end section „**on the bottom**“.
 - ▶ Release the spring retainer **5** and unpin the pin **4** on the end section „**on top**“.

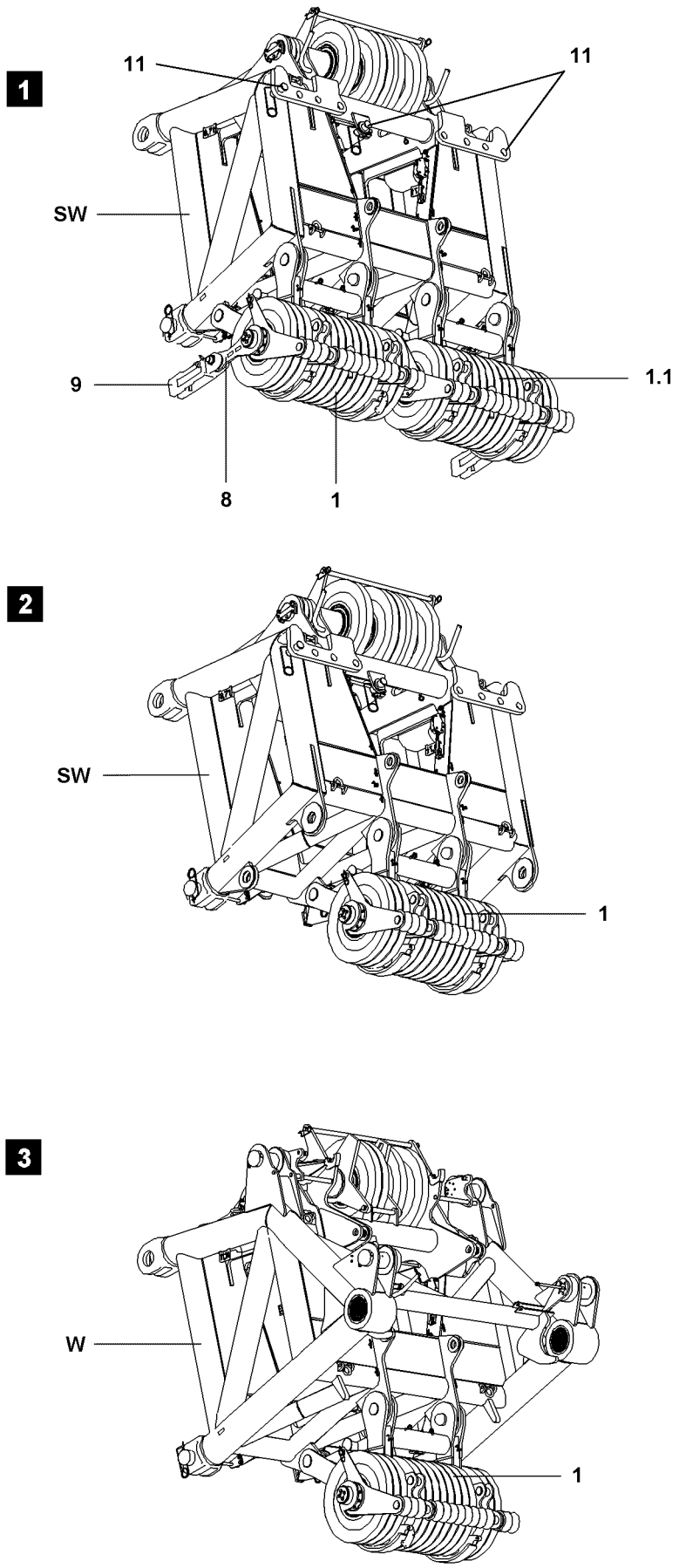


Fig.103012

LWE/LR 11350-005/19004-04-02/en

1 General

The pulley set **1 right** and the pulley set **1.1 left** are installed on the **SW**-head piece or the **W**-connector head.

Fig. 1

SW-head piece with two 675 t pulley sets **1** and **1.1**

Fig. 2

SW-head piece with one 675 t pulley set **1**

Fig. 3

W-connector head with one 675 t pulley set **1**



DANGER

Risk of collision!

The rope fixed point **8** at the **W**-connecting head must be removed if the luffing jib is installed. If this is not observed, it will collide with the **W**-articulated piece when the luffing jib is down!

► Remove the rope fixed point **8**.

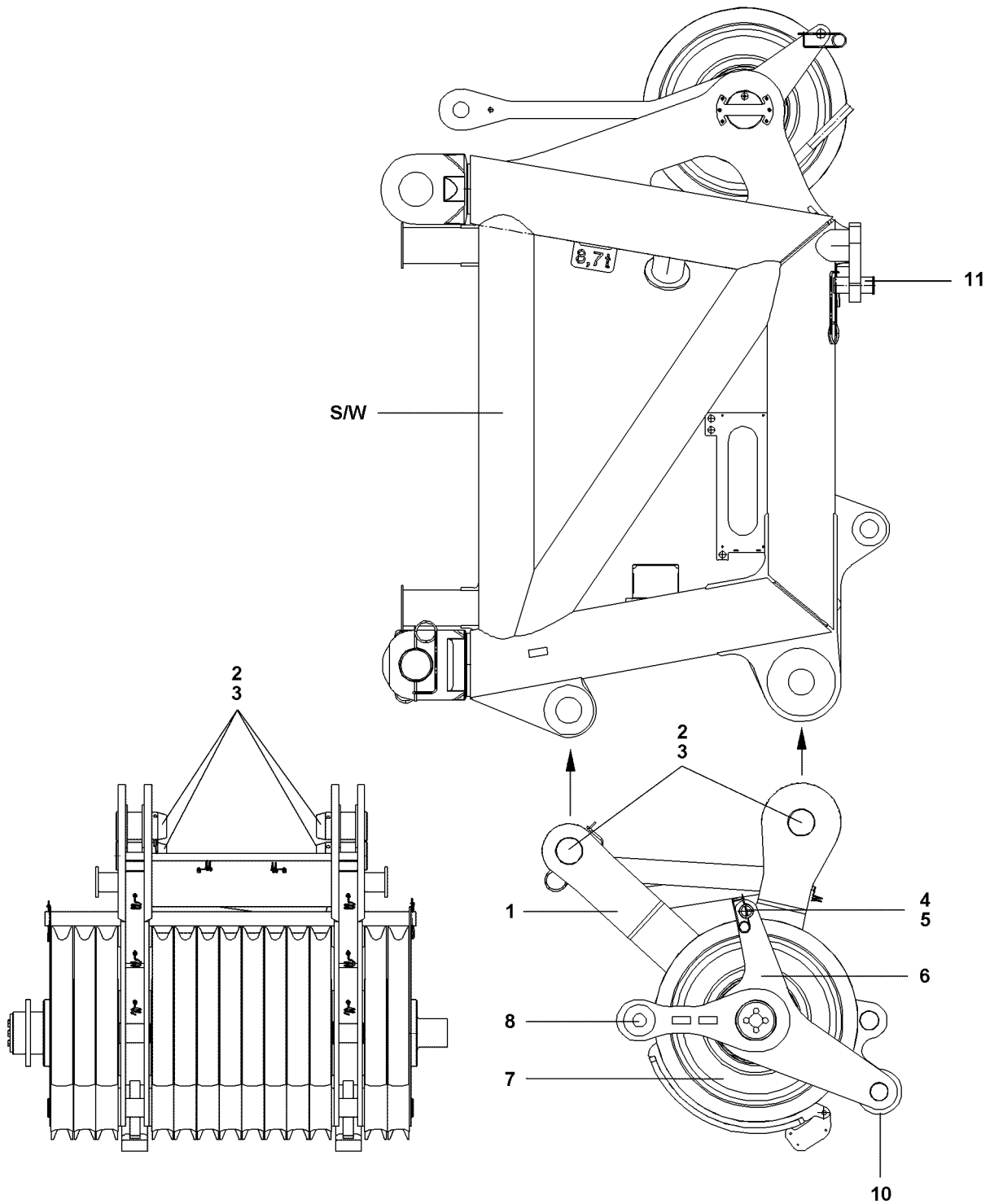


Fig.103022

1.1 Components

	Description	Weight
1	Pulley set right, 675 t	2.8 t
1.1	Pulley set left, 675 t	2.8 t
2	Pin, 120 mm	—
3	Safety spring, 8 mm	—
4	Rope retaining pin	—
5	Safety spring, 4.5 mm	—
6	Retainer	—
7	Rope pulleys	—
8	Rope fixed point only for maximum load capacity	—
9	Lock	—
10	Rope guard pulleys	—
11	Rope fixed point	—

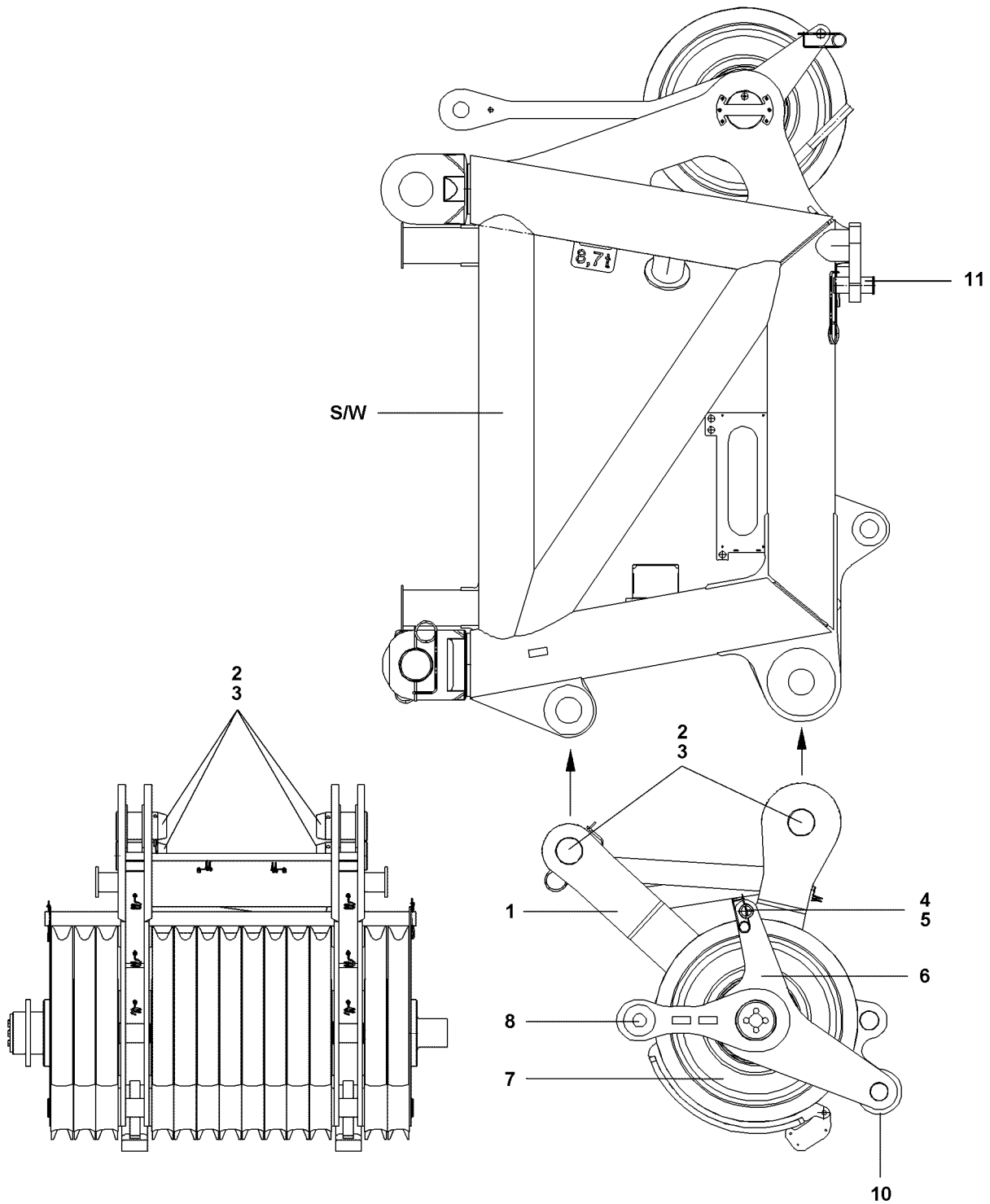


Fig.103022

2 Assembly

2.1 Installing the pulley set

- ▶ Pin the pulley set **1** on the **SW**-head piece or the **W**-connector head.
- ▶ Insert the pin **2** from the outside to the inside and secure with safety spring **3**.
- ▶ Install the **SW**-head piece or the **W**-connector head on the boom.
- ▶ Pin and secure the lock **9** on the rope fixed point **8**.
- ▶ Pull the hoist rope over the rope pulleys **2**.

**Note**

- ▶ Pull the hoist rope over the rope pulleys according to the separately supplied reeving plans.
-
- ▶ Establish the electrical connection to the hoist limit switch.

**Note**

- ▶ For electrical connections on the **SW**-head piece or the **W**-connector head, see chapter 5.04, 5.07.
-
- ▶ Reeve hook block properly and attach the hoist limit switch weight.

**Note**

- ▶ Reeve the hoist rope according to the separately supplied reeving plans.
-

Fig.195219

LWE/LR 11350-005/19004-04-02/en

1 Procedure in case of slack rope

1.1 Lowering the hook block if slack rope forms

If the hook block can no longer be lowered due to slack rope formation, then the following steps must be carried out.

1.1.1 Spooling up loose hoist rope

- ▶ Spool up loose hoist rope between the boom head and the winch carefully onto the winch.



Note

- ▶ A slight rope slack must remain between the boom head and the winch!
-

1.1.2 Luffing the boom down

NOTICE

Danger of collision!

When luffing the boom down, the hoist rope length can shorten and pull the hook block against the boom head.

- ▶ Monitor the distance of the hook block to the boom head!
-

- ▶ Luff the boom down carefully.

Result:

- The hoist rope between the boom head and the winch is tensioned.

1.1.3 Lowering the hook block

- ▶ Lower the hook block carefully with the hoist gear.

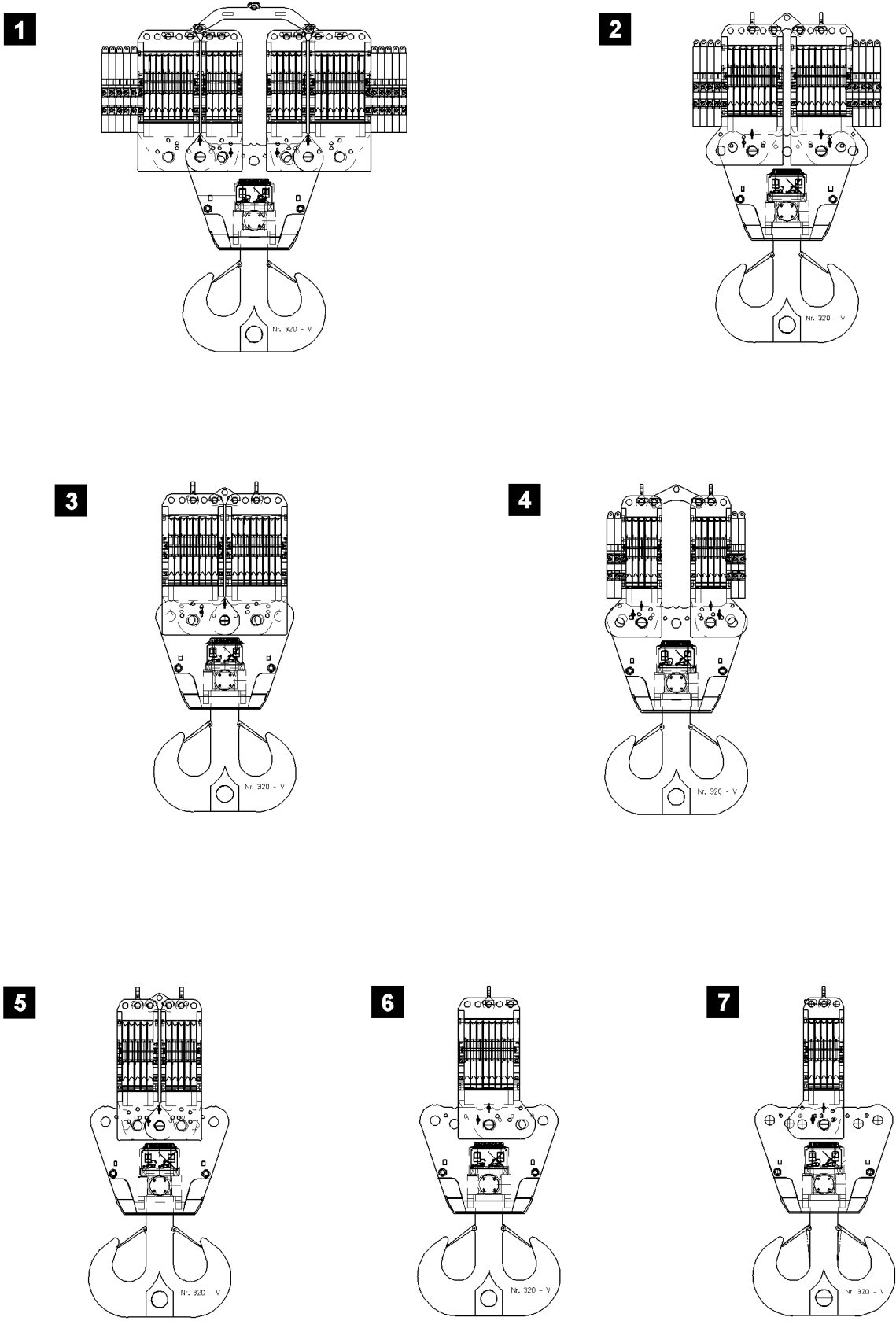


Fig.103135

2 Hook block 1350 t

2.1 Possible combinations of the hook block 1350 t

The following combinations can be made with the 1350 t hook block:

Illustration 1		
Load	Strands	Rope pulleys
1350 t	2 x 26	2 x 13

Illustration 2		
Load	Strands	Rope pulleys
940 t	2 x 17	2 x 8

Illustration 3		
Load	Strands	Rope pulleys
815 t	1 x 33	2 x 8

Illustration 4		
Load	Strands	Rope pulleys
630 t	2 x 11	2 x 5

Illustration 5		
Load	Strands	Rope pulleys
560 t	1 x 21	2 x 5

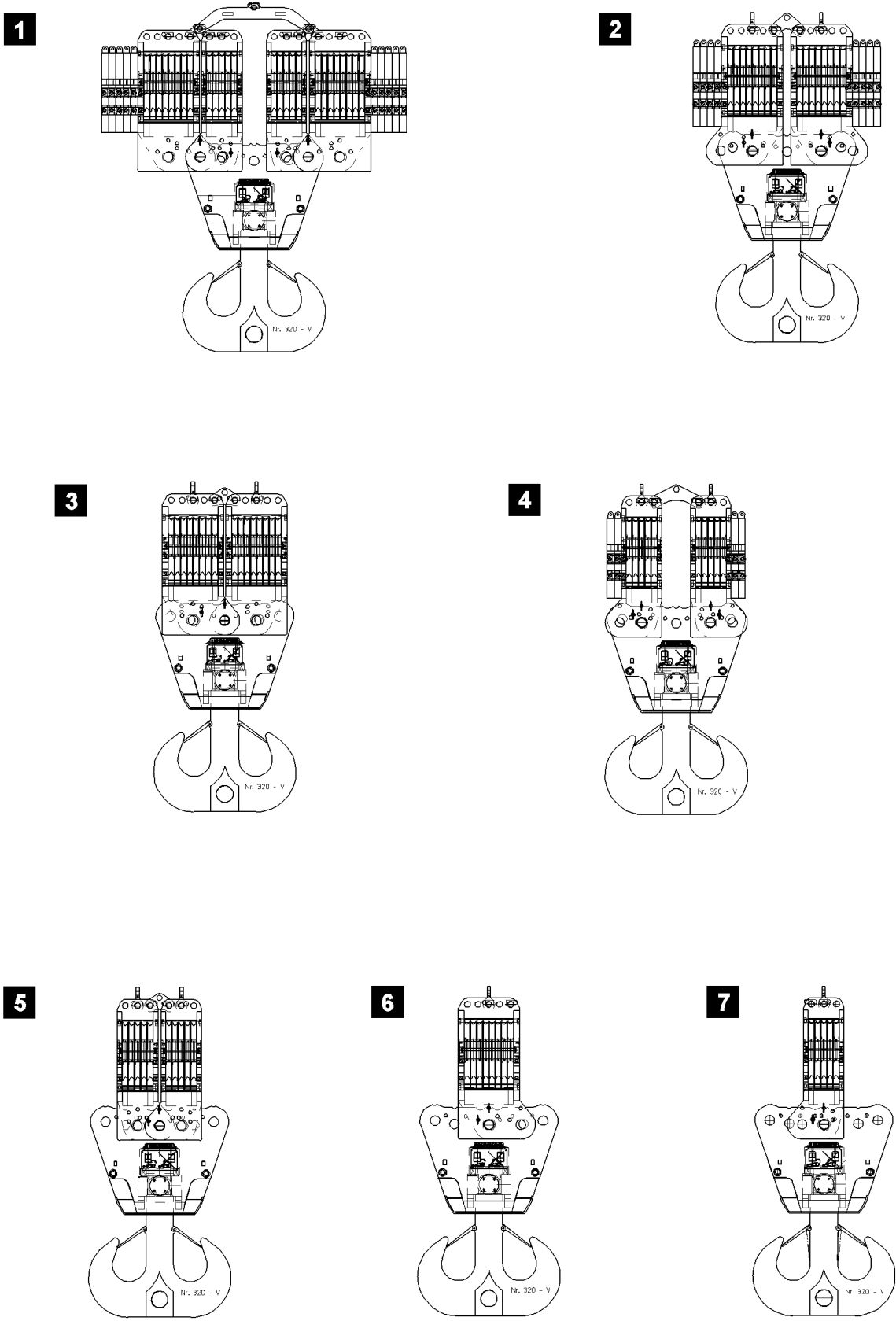


Fig.103135

Illustration 6		
Load	Strands	Rope pulleys
470 t	1 x 17	1 x 8

**Note**

- ▶ Hook block 320 t for a 1 winch operation with cross brace 320 t !

Illustration 7		
Load	Strands	Rope pulleys
320 t	1 x 11	1 x 5

2.2 Assembling / disassembling a 1350 t hook block

**WARNING**

Risk of accident when assembling/disassembling hook blocks!

When assembling / disassembling components on the hook block, for example: Components from pulley blocks or block connectors can fall down!

Personnel can be severely injured or killed!

- ▶ Never unpin the retaining pins on unsecured load components!
- ▶ Never unpin the connector pins on unsecured components!
- ▶ It is prohibited for anyone to remain within the entire danger zone while pinning and unpinning components on the hook block!
- ▶ Safely secure the pins in the bearing points as well as receptacles!

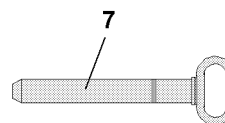
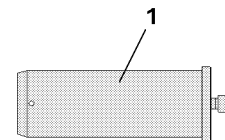
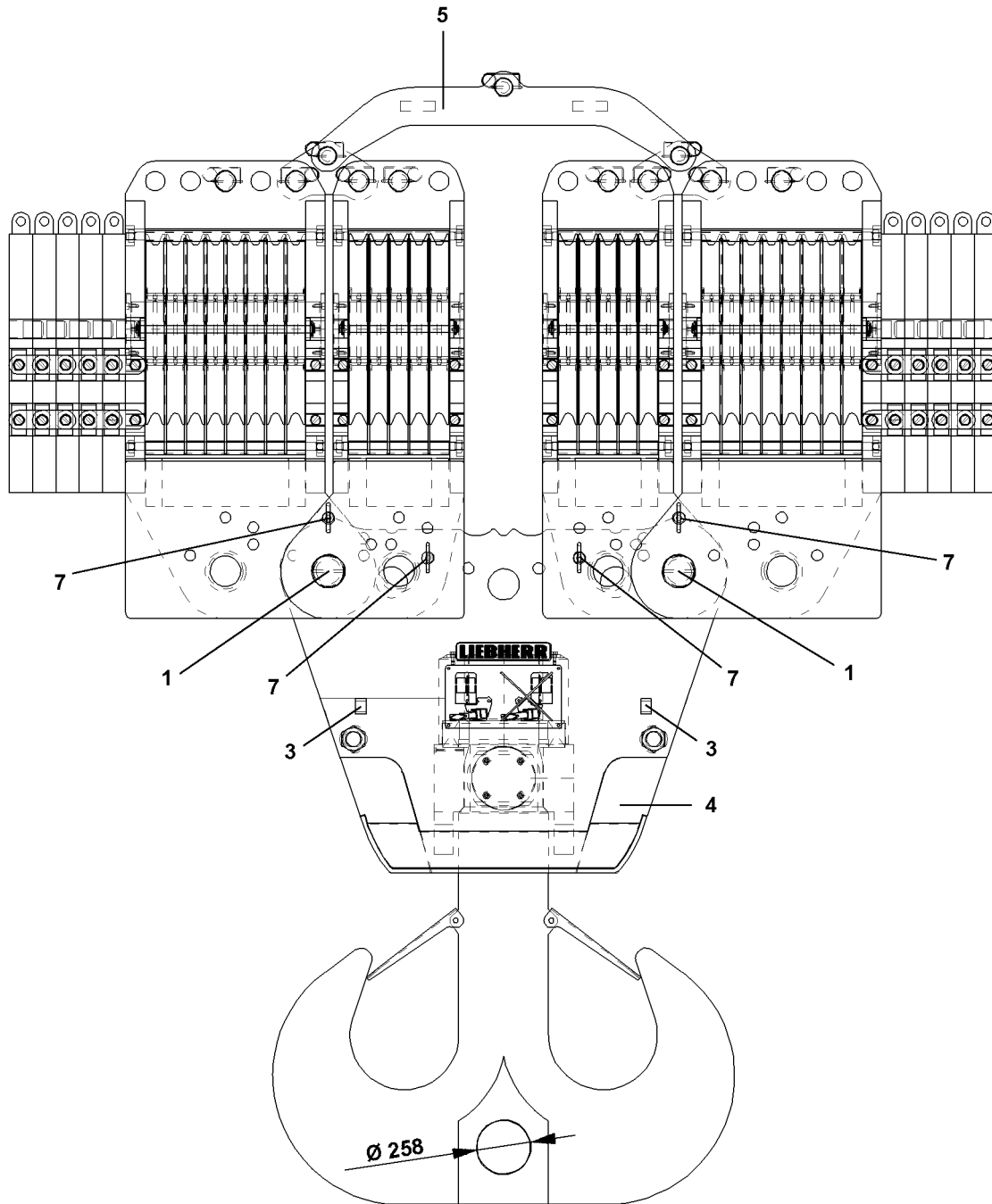


Fig.111452

2.3 Hook block 1350 t

The 1350 t hook block is a double hook block with a double hook for the 2 winch operation.

Load	Strands	Rope pulleys	Hook number	Weight ¹⁾
1350 t	2 x 26	2 x 13	320	30 t

1) Hook block without auxiliary weights

2.3.1 Assembling a 1350 t hook block

- ▶ Pin the 5 roller pulley blocks (2x) and the 8 roller pulley blocks (2x) to the cross brace **4**: Insert and secure pin **1**.
- ▶ Install the block connector **5** to the hook block.

In order to prevent the hook block from tilting during assembling and reeving, the retaining pins **7** must be pinned into the hook block.

- ▶ Insert the retaining pins **7**.



WARNING

Shearing off of the retaining pins **7**!

If the retaining pins **7** are not unpinned before the crane operation, then the retaining pins **7** may be shorn off when lifting the load!

Personnel can be severely injured or killed!

- ▶ Unpin the retaining pins **7** before crane operation!

Before starting the crane operation:

- ▶ Insert the retaining pins **7** into the receptacles **3** and secure.

2.3.2 Assembling / disassembling the auxiliary weights



Note

- ▶ The assembly / disassembly of the auxiliary weights is described in section „assembling / disassembling the auxiliary weights“!
- ▶ Notice the minimum required hook block weight!

2.3.3 Disassembling a 1350 t hook block



WARNING

The hook block can fall over!

If the retaining pins **7** are not inserted into the hook block before unreeving or disassembling, then the pulley blocks can tilt away to the side and cause the hook block to topple over!

Personnel can be severely injured or killed!

- ▶ Make sure that all auxiliary weights on the pulley blocks have been removed before disassembling the hook block!
- ▶ Insert the retaining pin **7** into the hook block before unreeving!

Before starting hook block disassembly:

- ▶ Insert the retaining pins **7** into the hook block.

When the pulley blocks are secured by the retaining pins **7**:

- ▶ Remove the block connector **5** on the hook block.
- ▶ Unpin the 5 roller pulley blocks (2x) and the 8 roller pulley blocks (2x) on the cross brace **4**: Release and unpin the pin **1**.

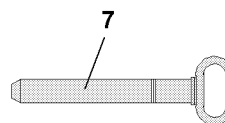
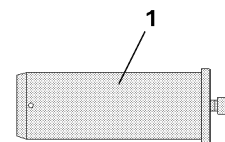
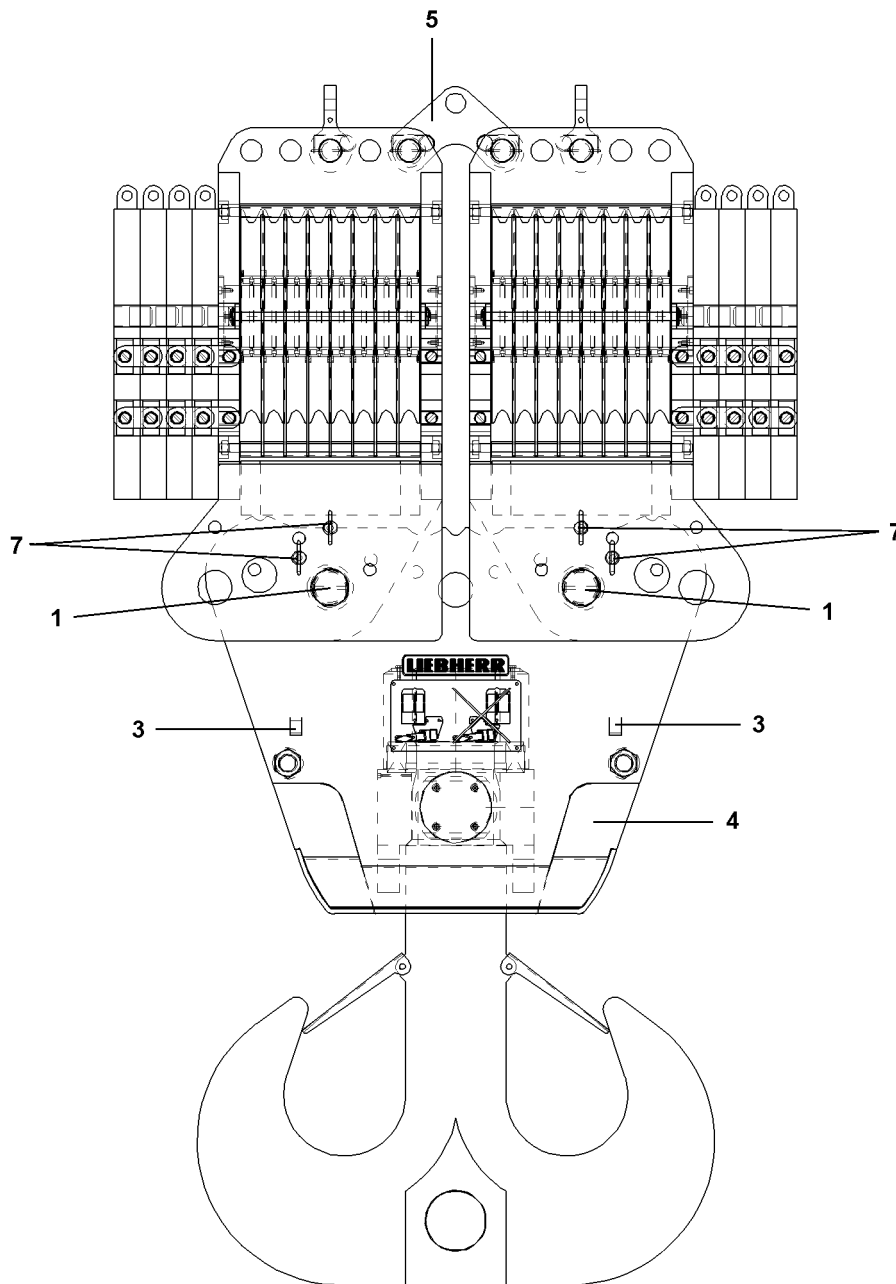


Fig.111453

2.4 Hook block 940 t

Hook block 940 t for a 2 winch operation with cross brace 1350 t.

The 940 t hook block is a double hook block with a double hook.

Load	Strands	Rope pulleys	Hook number	Weight ¹⁾
940 t	2 x 17	2 x 8	320	22 t

1) Hook block without auxiliary weights

2.4.1 Assembling a 940 t hook block

- ▶ Pin the 8 roller pulley blocks (2x) with the cross brace **4**: Insert and secure pin **1**.
- ▶ Install the block connector **5** to the hook block.

In order to prevent the hook block from tilting during assembling and reeving, the retaining pins **7** must be pinned into the hook block.

- ▶ Insert the retaining pins **7**.



WARNING

Shearing off of the retaining pins **7**!

If the retaining pins **7** are not unpinned before the crane operation, then the retaining pins **7** may be shorn off when lifting the load!

Personnel can be severely injured or killed!

- ▶ Unpin the retaining pins **7** before crane operation!

Before starting the crane operation:

- ▶ Insert the retaining pins **7** into the receptacles **3** and secure.

2.4.2 Assembling / disassembling the auxiliary weights



Note

- ▶ The assembly / disassembly of the auxiliary weights is described in section „assembling / disassembling the auxiliary weights“!
- ▶ Notice the minimum required hook block weight!

2.4.3 Disassembling a 940 t hook block



WARNING

The hook block can fall over!

If the retaining pins **7** are not inserted into the hook block before unreeving or disassembling, then the pulley blocks can tilt away to the side and cause the hook block to topple over!

Personnel can be severely injured or killed!

- ▶ Make sure that all auxiliary weights on the pulley blocks have been removed before disassembling the hook block!
- ▶ Insert the retaining pin **7** into the hook block before unreeving!

Before starting hook block disassembly:

- ▶ Insert the retaining pins **7** into the hook block.

When the pulley blocks are secured by the retaining pins **7**:

- ▶ Remove the block connector **5** on the hook block.
- ▶ Unpin the 8 roller pulley blocks (2x) on the cross brace **4**: Release and unpin the pin **1**.

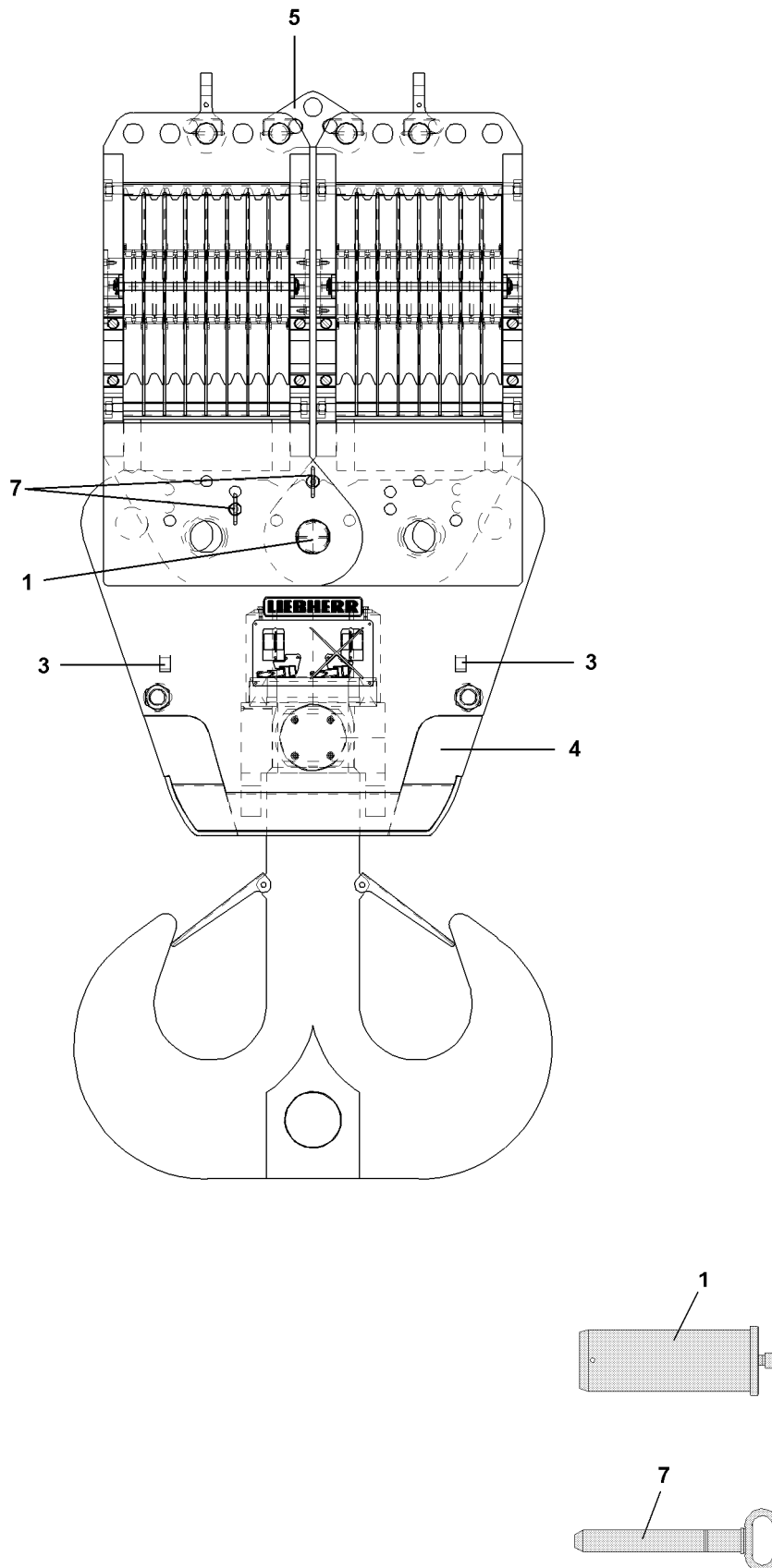


Fig.111454

LWE/LR 11350-005/19004-04-02/en

2.5 Hook block 815 t

Hook block 815 t for a 1 winch operation with cross brace 1350 t.

The 815 t hook block is a single hook block with a double hook.

Load	Strands	Rope pulleys	Hook number	Weight ¹⁾
815 t	1 x 33	2 x 8	320	22 t

1) Hook block without auxiliary weight

2.5.1 Assembling a 815 t hook block

- ▶ Pin the 8 roller pulley blocks (2x) with the cross brace **4**: Insert and secure pin **1**.
- ▶ Install the block connector **5** to the hook block.

In order to prevent the hook block from tilting during assembling and reeving, the retaining pins **7** must be pinned into the hook block.

- ▶ Insert the retaining pins **7**.



WARNING

Shearing off of the retaining pins **7**!

If the retaining pins **7** are not unpinned before the crane operation, then the retaining pins **7** may be shorn off when lifting the load!

Personnel can be severely injured or killed!

- ▶ Unpin the retaining pins **7** before crane operation!

Before starting the crane operation:

- ▶ Insert the retaining pins **7** into the receptacles **3** and secure.

2.5.2 Assembling / disassembling the auxiliary weights



Note

- ▶ The assembly / disassembly of the auxiliary weights is described in section „assembling / disassembling the auxiliary weights“!
- ▶ Notice the minimum required hook block weight!

2.5.3 Disassembling a 815 t hook block



WARNING

The hook block can fall over!

If the retaining pins **7** are not inserted into the hook block before unreeving or disassembling, then the pulley blocks can tilt away to the side and cause the hook block to topple over!

Personnel can be severely injured or killed!

- ▶ Make sure that all auxiliary weights on the pulley blocks have been removed before disassembling the hook block!
- ▶ Insert the retaining pin **7** into the hook block before unreeving!

Before starting hook block disassembly:

- ▶ Insert the retaining pins **7** into the hook block.

When the pulley blocks are secured by the retaining pins **7**:

- ▶ Remove the block connector **5** on the hook block.
- ▶ Unpin the 8 roller pulley blocks on the cross brace **4**: Release and unpin the pin **1**.

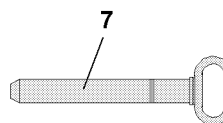
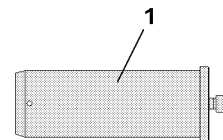
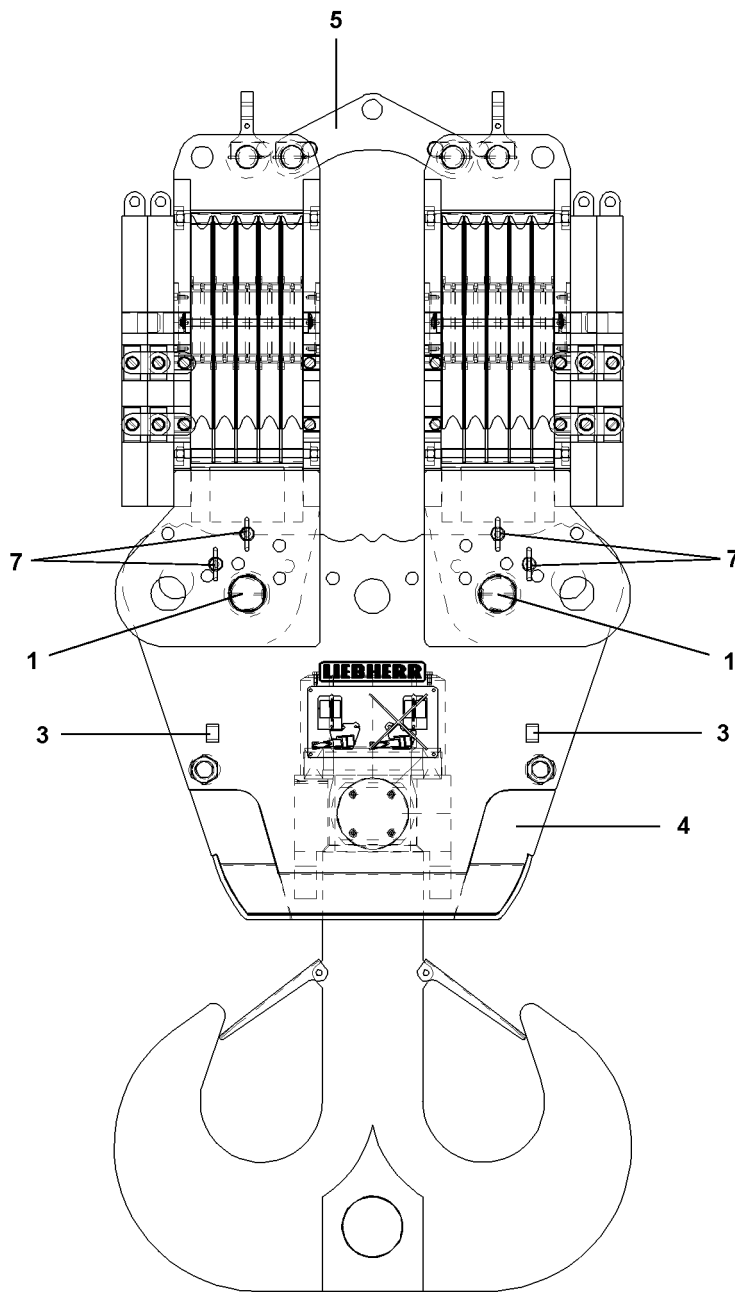


Fig.111455

2.6 Hook block 630 t

Hook block 630 t for a 2 winch operation with cross brace 1350 t.

The 630 t hook block is a double hook block with a double hook.

Load	Strands	Rope pulleys	Hook number	Weight ¹⁾
630 t	2 x 11	2 x 5	320	20 t

1) Hook block without auxiliary weights

2.6.1 Assembling a 630 t hook block

- ▶ Pin the 5 roller pulley blocks (2x) with the cross brace **4**: Insert and secure pin **1**.
- ▶ Install the block connector **5** to the hook block.

In order to prevent the hook block from tilting during assembling and reeving, the retaining pins **7** must be pinned into the hook block.

- ▶ Insert the retaining pins **7**.



WARNING

Shearing off of the retaining pins **7**!

If the retaining pins **7** are not unpinned before the crane operation, then the retaining pins **7** may be shorn off when lifting the load!

Personnel can be severely injured or killed!

- ▶ Unpin the retaining pins **7** before crane operation!

Before starting the crane operation:

- ▶ Insert the retaining pins **7** into the receptacles **3** and secure.

2.6.2 Assembling / disassembling the auxiliary weights



Note

- ▶ The assembly / disassembly of the auxiliary weights is described in section „assembling / disassembling the auxiliary weights“!
- ▶ Notice the minimum required hook block weight!

2.6.3 Disassembling a 630 t hook block



WARNING

The hook block can fall over!

If the retaining pins **7** are not inserted into the hook block before unreeving or disassembling, then the pulley blocks can tilt away to the side and cause the hook block to topple over!

Personnel can be severely injured or killed!

- ▶ Make sure that all auxiliary weights on the pulley blocks have been removed before disassembling the hook block!
- ▶ Insert the retaining pin **7** into the hook block before unreeving!

Before starting hook block disassembly:

- ▶ Insert the retaining pins **7** into the hook block.

When the pulley blocks are secured by the retaining pins **7**:

- ▶ Remove the block connector **5** on the hook block.
- ▶ Unpin the 5 roller pulley blocks (2x) on the cross brace **4**: Release and unpin the pin **1**.

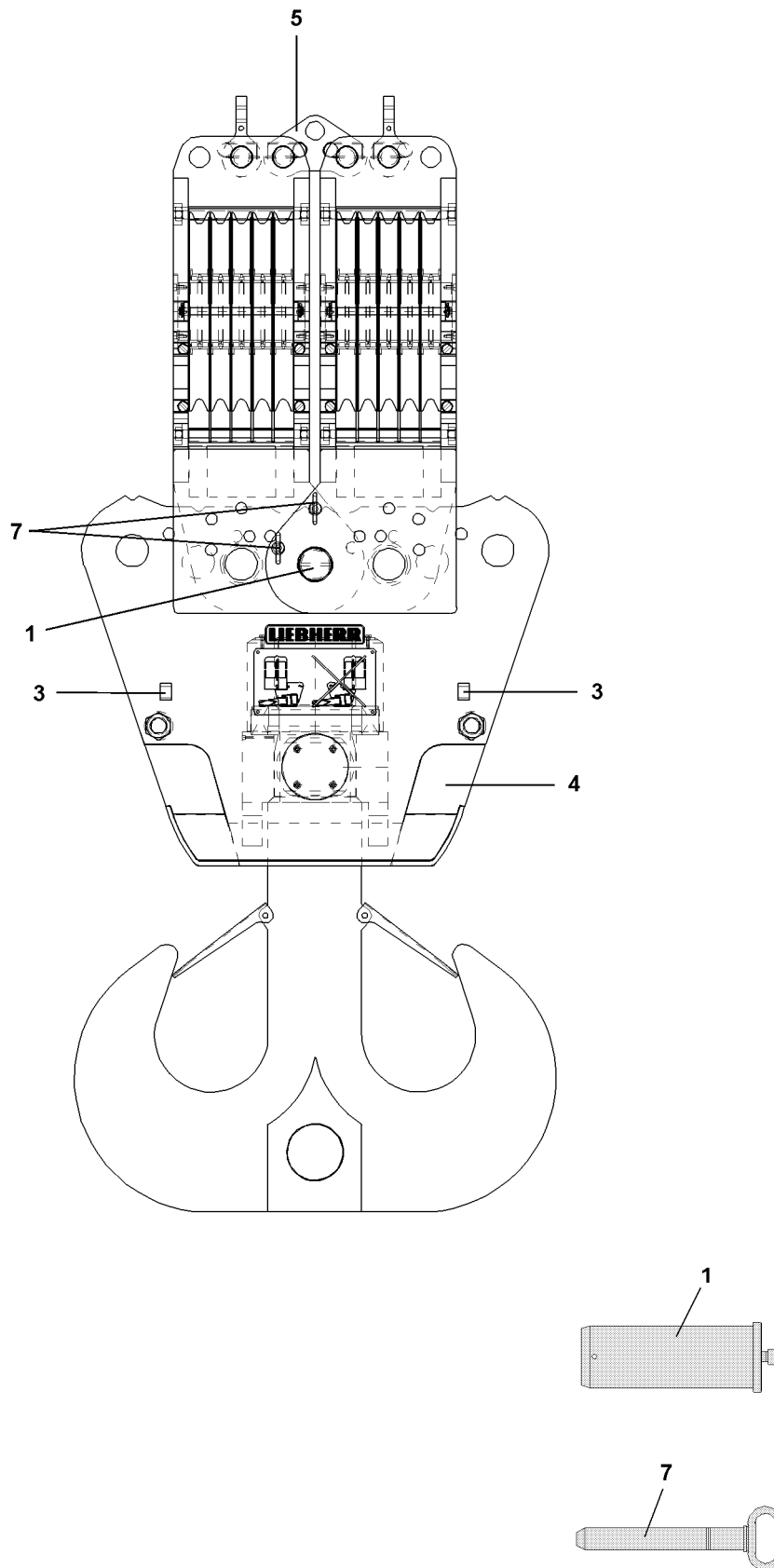


Fig.111456

LWE/LR 11350-005/19004-04-02/en

2.7 Hook block 560 t

Hook block 560 t for a 1 winch operation with cross brace 1350 t

The 560 t hook block is a single hook block with a double hook.

Load	Strands	Rope pulleys	Hook number	Weight ¹⁾
560 t	1 x 21	2 x 5	320	20 t

1) Hook block without auxiliary weights

2.7.1 Assembling a 560 t hook block

- ▶ Pin the 5 roller pulley blocks (2x) with the cross brace **4**: Insert and secure pin **1**.
- ▶ Install the block connector **5** to the hook block.

In order to prevent the hook block from tilting during assembling and reeving, the retaining pins **7** must be pinned into the hook block.

- ▶ Insert the retaining pins **7**.



WARNING

Shearing off of the retaining pins **7**!

If the retaining pins **7** are not unpinned before the crane operation, then the retaining pins **7** may be shorn off when lifting the load!

Personnel can be severely injured or killed!

- ▶ Unpin the retaining pins **7** before crane operation!

Before starting the crane operation:

- ▶ Insert the retaining pins **7** into the receptacles **3** and secure.

2.7.2 Assembling / disassembling the auxiliary weights



Note

- ▶ The assembly / disassembly of the auxiliary weights is described in section „assembling / disassembling the auxiliary weights“!
- ▶ Notice the minimum required hook block weight!

2.7.3 Disassembling a 560 t hook block



WARNING

The hook block can fall over!

If the retaining pins **7** are not inserted into the hook block before unreeving or disassembling, then the pulley blocks can tilt away to the side and cause the hook block to topple over!

Personnel can be severely injured or killed!

- ▶ Make sure that all auxiliary weights on the pulley blocks have been removed before disassembling the hook block!
- ▶ Insert the retaining pin **7** into the hook block before unreeving!

Before starting hook block disassembly:

- ▶ Insert the retaining pins **7** into the hook block.

When the pulley blocks are secured by the retaining pins **7**:

- ▶ Remove the block connector **5** on the hook block.
- ▶ Unpin the 5 roller pulley blocks (2x) on the cross brace **4**: Release and unpin the pin **1**.

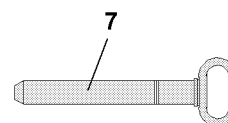
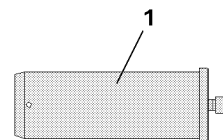
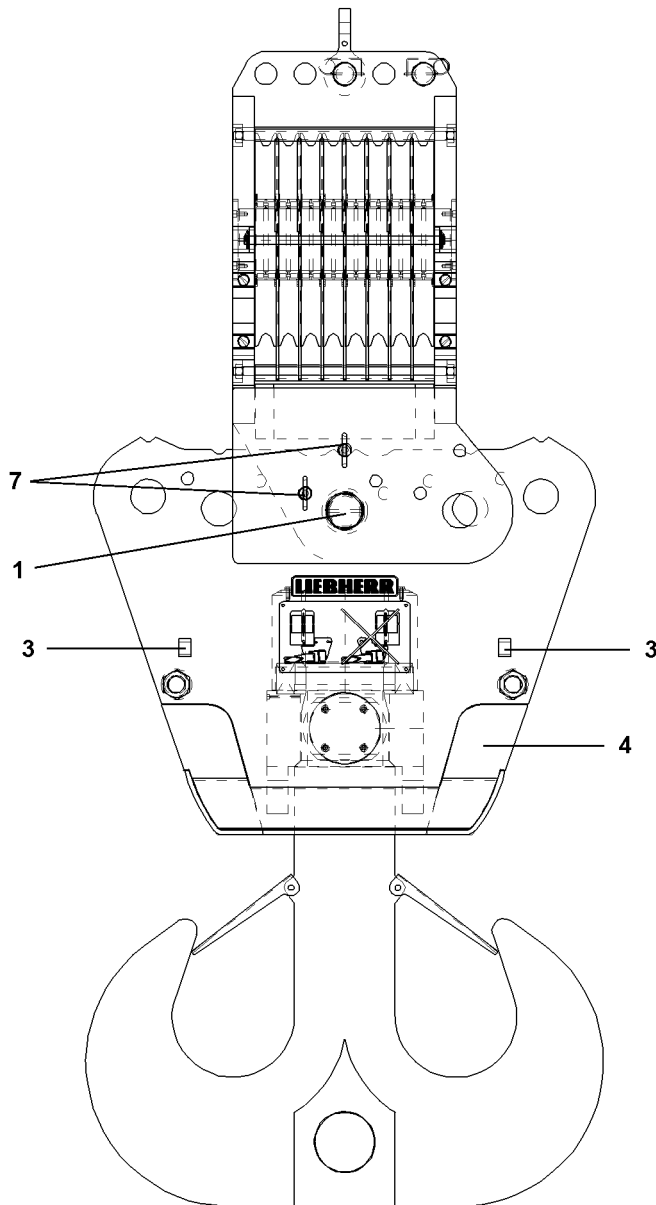


Fig.111457

LWE/LR 11350-005/19004-04-02/en

2.8 Hook block 470 t

Hook block 470 t for a 1 winch operation with cross brace 1350 t

The 470 t hook block is a single hook block with a double hook.

Load	Strands	Rope pulleys	Hook number	Weight ¹⁾
470 t	1 x 17	8	320	16.5 t

1) Hook block without auxiliary weights

2.8.1 Assembling a 470 t hook block

- ▶ Pin the 8 roller pulley block to the cross brace **4**: Insert and secure pin **1**.

In order to prevent the hook block from tilting during assembling and reeving, the retaining pins **7** must be pinned into the hook block.

- ▶ Insert the retaining pins **7**.



WARNING

Shearing off of the retaining pins **7**!

If the retaining pins **7** are not unpinned before the crane operation, then the retaining pins **7** may be shorn off when lifting the load!

Personnel can be severely injured or killed!

- ▶ Unpin the retaining pins **7** before crane operation!

Before starting the crane operation:

- ▶ Insert the retaining pins **7** into the receptacles **3** and secure.

2.8.2 Assembling / disassembling the auxiliary weights



Note

- ▶ The assembly / disassembly of the auxiliary weights is described in section „assembling / disassembling the auxiliary weights“!
- ▶ Notice the minimum required hook block weight!

2.8.3 Disassembling a 470 t hook block



WARNING

The hook block can fall over!

If the retaining pins **7** are not inserted into the hook block before unreeving or disassembling, then the pulley block can tilt away to the side and cause the hook block to topple over!

Personnel can be severely injured or killed!

- ▶ Make sure that all auxiliary weights on the pulley block have been removed before disassembling the hook block!
- ▶ Insert the retaining pin **7** into the hook block before unreeving!

Before starting hook block disassembly:

- ▶ Insert the retaining pins **7** into the hook block.
- ▶ Unpin the 8 roller pulley block on the cross brace **4**: Release and unpin the pin **1**.

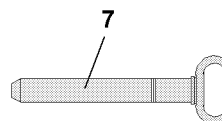
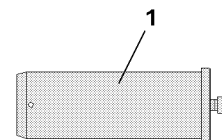
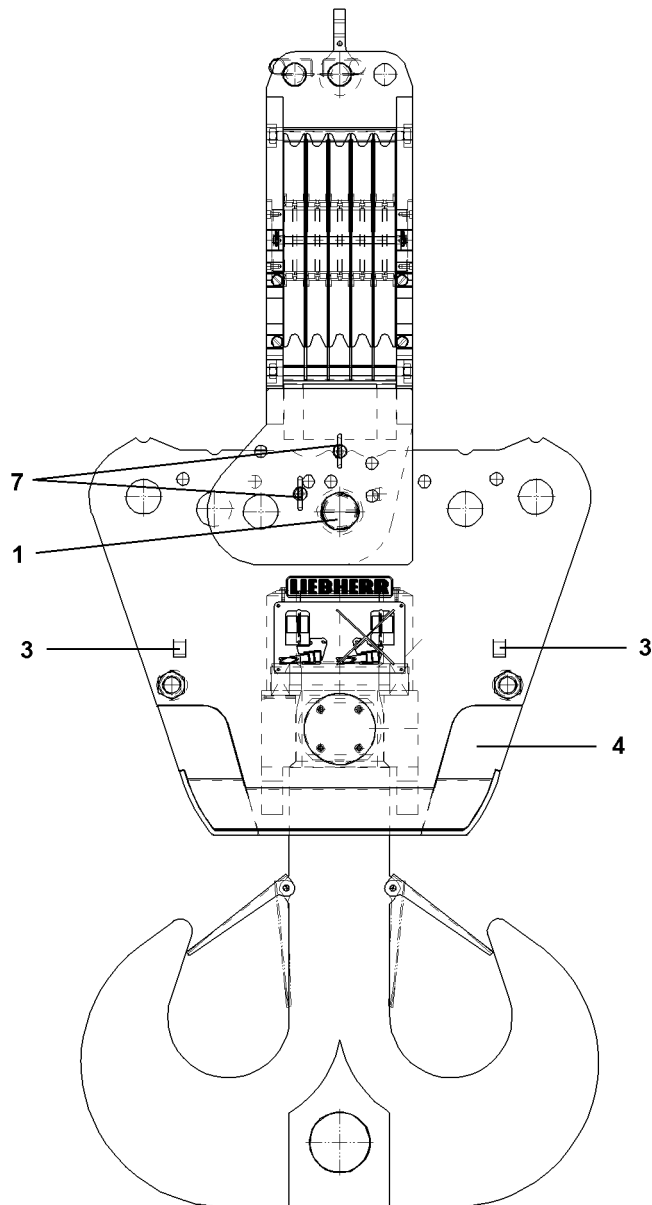


Fig.111458

LWE/LR 11350-005/19004-04-02/en

2.9 Hook block 320 t

Hook block 320 t for a 1 winch operation with cross brace 1350 t

The 320 t hook block is a single hook block with a double hook.

Load	Strands	Rope pulleys	Hook number	Weight ¹⁾
320 t	1 x 11	5	320	15.5 t

1) Hook block without auxiliary weights

2.9.1 Assembling a 320 t hook block

- ▶ Pin the 5 roller pulley block to the cross brace **4**: Insert and secure pin **1**.

In order to prevent the hook block from tilting during assembling and reeving, the retaining pins **7** must be pinned into the hook block.

- ▶ Insert the retaining pins **7**.



WARNING

Shearing off of the retaining pins **7**!

If the retaining pins **7** are not unpinned before the crane operation, then the retaining pins **7** may be shorn off when lifting the load!

Personnel can be severely injured or killed!

- ▶ Unpin the retaining pins **7** before crane operation!

Before starting the crane operation:

- ▶ Insert the retaining pins **7** into the receptacles **3** and secure.

2.9.2 Assembling / disassembling the auxiliary weights



Note

- ▶ The assembly / disassembly of the auxiliary weights is described in section „assembling / disassembling the auxiliary weights“!
- ▶ Notice the minimum required hook block weight!

2.9.3 Disassembling a 320 t hook block



WARNING

The hook block can fall over!

If the retaining pins **7** are not inserted into the hook block before unreeving or disassembling, then the pulley block can tilt away to the side and cause the hook block to topple over!

Personnel can be severely injured or killed!

- ▶ Make sure that all auxiliary weights on the pulley block have been removed before disassembling the hook block!
- ▶ Insert the retaining pin **7** into the hook block before unreeving!

Before starting hook block disassembly:

- ▶ Insert the retaining pins **7** into the hook block.
- ▶ Unpin the 5 roller pulley block on the cross brace **4**: Release and unpin the pin **1**.

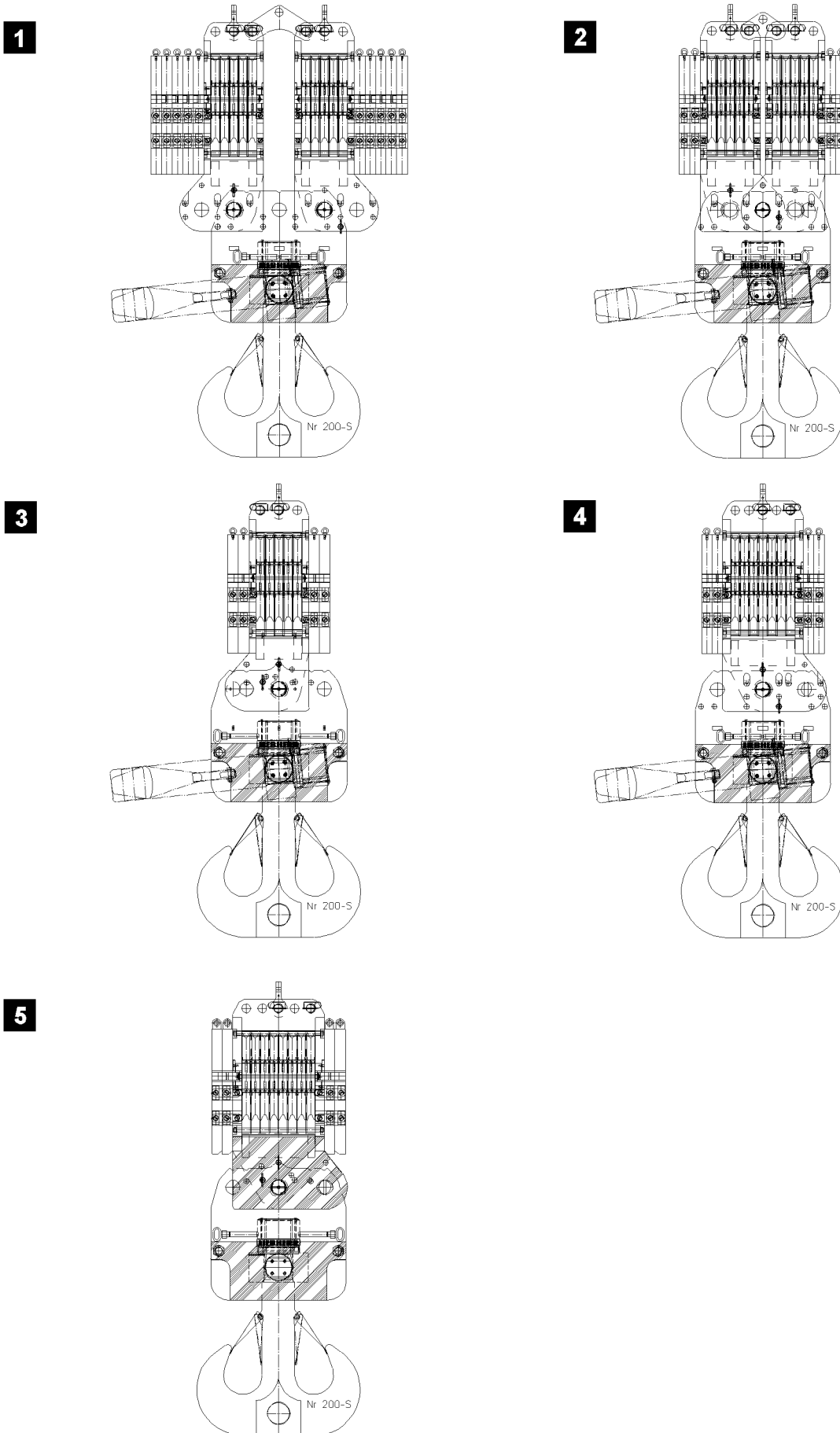


Fig.105438

3 Hook block 630 t

3.1 Possible combinations of the hook block 630 t

The following combinations can be made with the 630 t hook block:

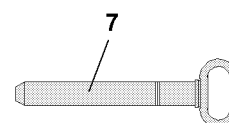
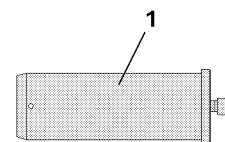
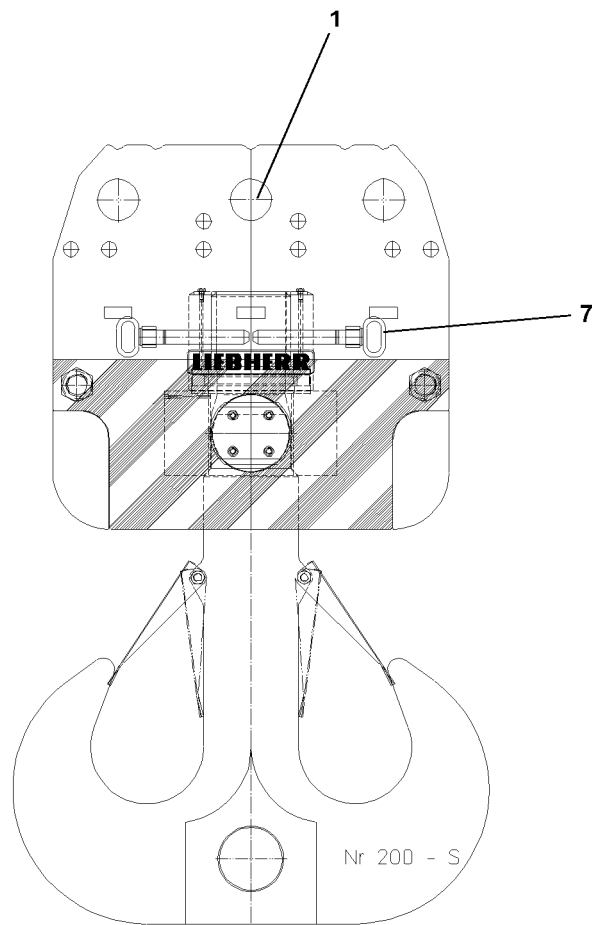
Illustration 1		
Load	Strands	Rope pulleys
630 t	2 x 11	2 x 5

Illustration 2		
Load	Strands	Rope pulleys
560 t	1 x 21	2 x 5

Illustration 3		
Load	Strands	Rope pulleys
470 t	1 x 17	1 x 8

Illustration 4		
Load	Strands	Rope pulleys
420 t	1 x 15	1 x 7

Illustration 5		
Load	Strands	Rope pulleys
320 t	1 x 11	1 x 5



LWE/LR 11350-005/19004-04-02/en

Fig.111459

3.2 Assembling / disassembling a 630 t hook block



WARNING

Risk of accident when assembling/disassembling hook blocks!

When assembling / disassembling components on the hook block, for example: Components from pulley blocks or block connectors can fall down!

Personnel can be severely injured or killed!

- ▶ Never unpin the retaining pins on unsecured load components!
- ▶ Never unpin the connector pins on unsecured components!
- ▶ It is prohibited for anyone to remain within the entire danger zone while pinning and unpinning components on the hook block!
- ▶ Safely secure the pins in the bearing points as well as receptacles!

3.3 Hook with cross brace 630 t , illustration 1

Load	Hook number
630 t	200

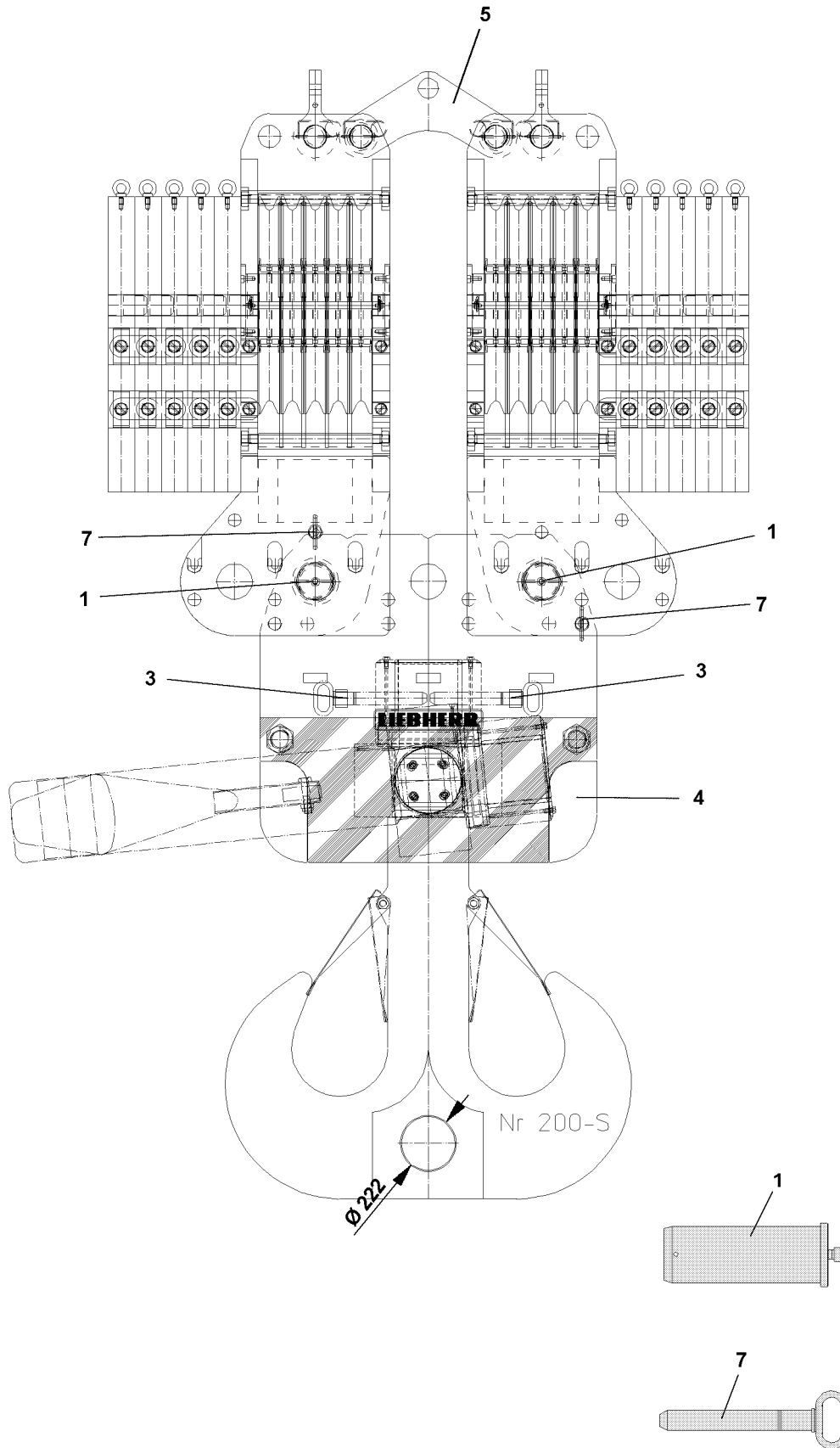


Fig.111460

3.4 Hook block 630 t

The 630 t hook block is a double hook block with a double hook for the 2 winch operation.

Load	Strands	Rope pulleys	Hook number	Weight ¹⁾
630 t	2 x 11	2 x 5	200	14 t

1) Hook block without auxiliary weights

3.4.1 Assembling a 630 t hook block

- ▶ Pin the 5 roller pulley blocks (2x) with the cross brace **4**: Insert and secure pin **1**.
- ▶ Install the block connector **5** to the hook block.

In order to prevent the hook block from tilting during assembling and reeving, the retaining pins **7** must be pinned into the hook block.

- ▶ Insert the retaining pins **7**.



WARNING

Shearing off of the retaining pins **7**!

If the retaining pins **7** are not unpinned before the crane operation, then the retaining pins **7** may be shorn off when lifting the load!

Personnel can be severely injured or killed!

- ▶ Unpin the retaining pins **7** before crane operation!

Before starting the crane operation:

- ▶ Insert the retaining pins **7** into the receptacles **3** and secure.

3.4.2 Assembling / disassembling the auxiliary weights



Note

- ▶ The assembly / disassembly of the auxiliary weights is described in section „assembling / disassembling the auxiliary weights“!
- ▶ Notice the minimum required hook block weight!

3.4.3 Disassembling a 630 t hook block



WARNING

The hook block can fall over!

If the retaining pins **7** are not inserted into the hook block before unreeving or disassembling, then the pulley blocks can tilt away to the side and cause the hook block to topple over!

Personnel can be severely injured or killed!

- ▶ Make sure that all auxiliary weights on the pulley blocks have been removed before disassembling the hook block!
- ▶ Insert the retaining pin **7** into the hook block before unreeving!

Before starting hook block disassembly:

- ▶ Insert the retaining pins **7** into the hook block.

When the pulley blocks are secured by the retaining pins **7**:

- ▶ Remove the block connector **5** on the hook block.
- ▶ Unpin the 5 roller pulley blocks (2x) on the cross brace **4**: Release and unpin the pin **1**.

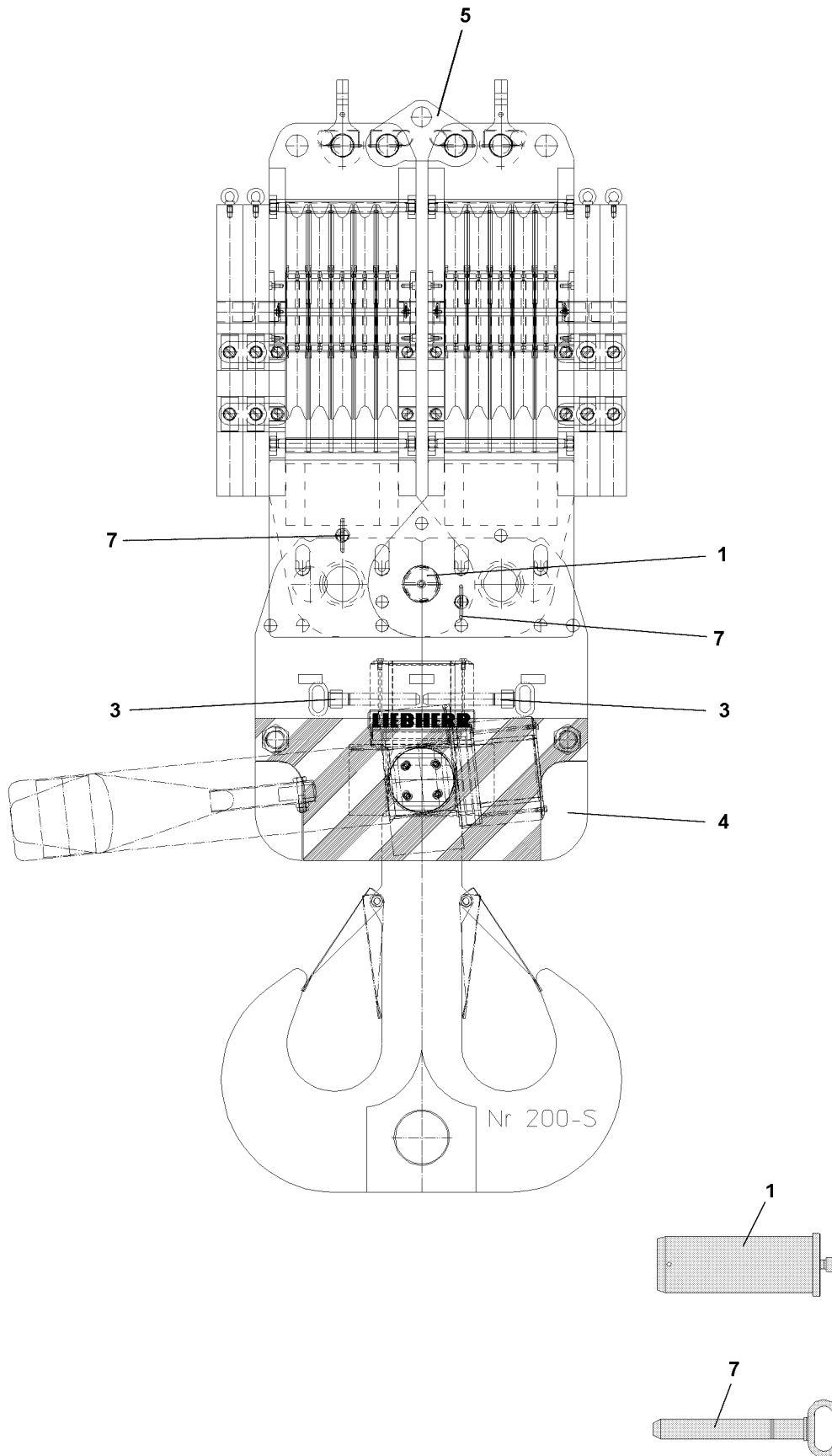


Fig.111461

3.5 Hook block 560 t

Hook block 560 t for a 2 winch operation with cross brace 630 t

The 560 t hook block is a double hook block with a double hook.

Load	Strands	Rope pulleys	Hook number	Weight ¹⁾
560 t	2 x 11	2 x 5	200	14 t

1) Hook block without auxiliary weights

3.5.1 Assembling a 560 t hook block

- ▶ Pin the 5 roller pulley blocks (2x) with the cross brace **4**: Insert and secure pin **1**.
- ▶ Install the block connector **5** to the hook block.

In order to prevent the hook block from tilting during assembling and reeving, the retaining pins **7** must be pinned into the hook block.

- ▶ Insert the retaining pins **7**.



WARNING

Shearing off of the retaining pins **7**!

If the retaining pins **7** are not unpinned before the crane operation, then the retaining pins **7** may be shorn off when lifting the load!

Personnel can be severely injured or killed!

- ▶ Unpin the retaining pins **7** before crane operation!

Before starting the crane operation:

- ▶ Insert the retaining pins **7** into the receptacles **3** and secure.

3.5.2 Assembling / disassembling the auxiliary weights



Note

- ▶ The assembly / disassembly of the auxiliary weights is described in section „assembling / disassembling the auxiliary weights“!
- ▶ Notice the minimum required hook block weight!

3.5.3 Disassembling a 560 t hook block



WARNING

The hook block can fall over!

If the retaining pins **7** are not inserted into the hook block before unreeving or disassembling, then the pulley blocks can tilt away to the side and cause the hook block to topple over!

Personnel can be severely injured or killed!

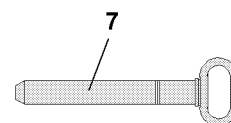
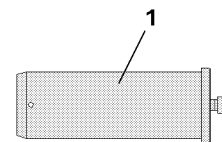
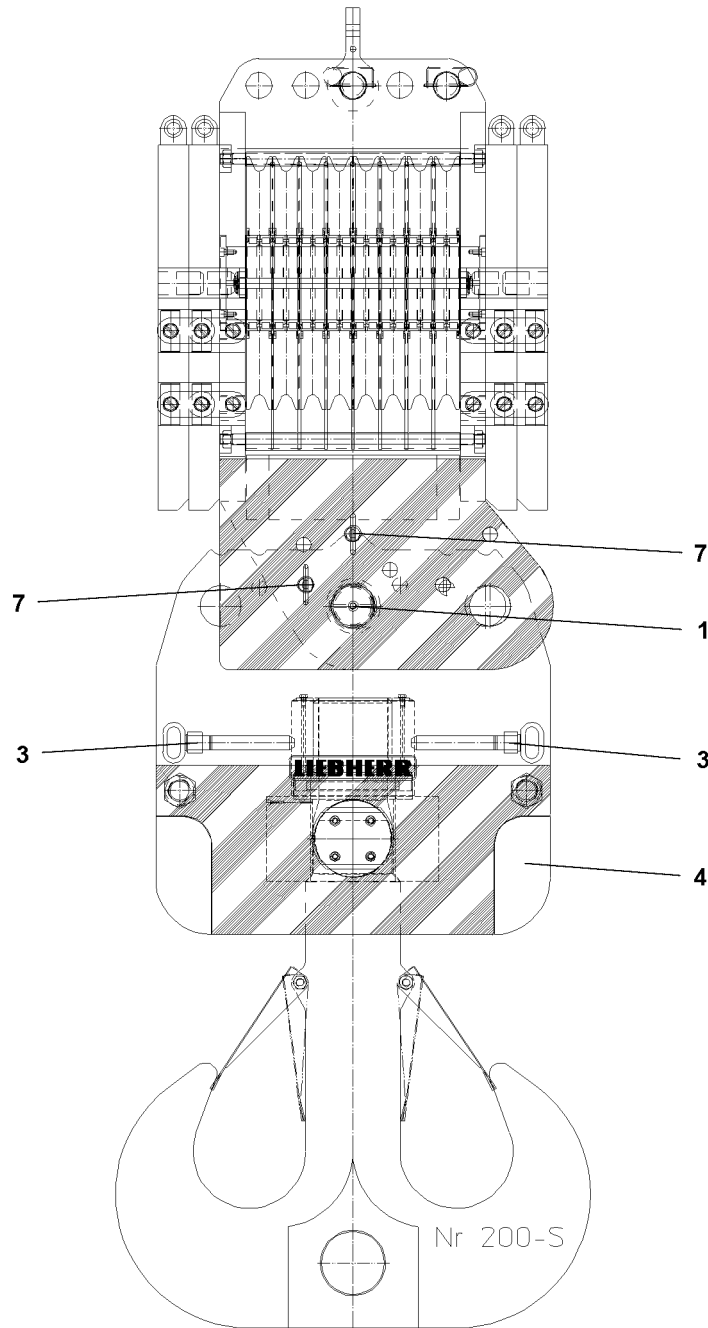
- ▶ Make sure that all auxiliary weights on the pulley blocks have been removed before disassembling the hook block!
- ▶ Insert the retaining pin **7** into the hook block before unreeving!

Before starting hook block disassembly:

- ▶ Insert the retaining pins **7** into the hook block.

When the pulley blocks are secured by the retaining pins **7**:

- ▶ Remove the block connector **5** on the hook block.
- ▶ Unpin the 5 roller pulley blocks (2x) on the cross brace **4**: Release and unpin the pin **1**.



LWE/LR 11350-005/19004-04-02/en

Fig.111462

3.6 Hook block 470 t

Hook block 470 t for a 1 winch operation with cross brace 630 t

The 470 t hook block is a single hook block with a double hook.

Load	Strands	Rope pulleys	Hook number	Weight ¹⁾
470 t	1 x 17	8	200	12 t

1) Hook block without auxiliary weights

3.6.1 Assembling a 470 t hook block

- ▶ Pin the 8 roller pulley block to the cross brace **4**: Insert and secure pin **1**.

In order to prevent the hook block from tilting during assembling and reeving, the retaining pins **7** must be pinned into the hook block.

- ▶ Insert the retaining pins **7**.



WARNING

Shearing off of the retaining pins **7**!

If the retaining pins **7** are not unpinned before the crane operation, then the retaining pins **7** may be shorn off when lifting the load!

Personnel can be severely injured or killed!

- ▶ Unpin the retaining pins **7** before crane operation!

Before starting the crane operation:

- ▶ Insert the retaining pins **7** into the receptacles **3** and secure.

3.6.2 Assembling / disassembling the auxiliary weights



Note

- ▶ The assembly / disassembly of the auxiliary weights is described in section „assembling / disassembling the auxiliary weights“!
- ▶ Notice the minimum required hook block weight!

3.6.3 Disassembling a 470 t hook block



WARNING

The hook block can fall over!

If the retaining pins **7** are not inserted into the hook block before unreeving or disassembling, then the pulley block can tilt away to the side and cause the hook block to topple over!

Personnel can be severely injured or killed!

- ▶ Make sure that all auxiliary weights on the pulley block have been removed before disassembling the hook block!
- ▶ Insert the retaining pin **7** into the hook block before unreeving!

Before starting hook block disassembly:

- ▶ Insert the retaining pins **7** into the hook block.
- ▶ Unpin the 8 roller pulley block on the cross brace **4**: Release and unpin the pin **1**.

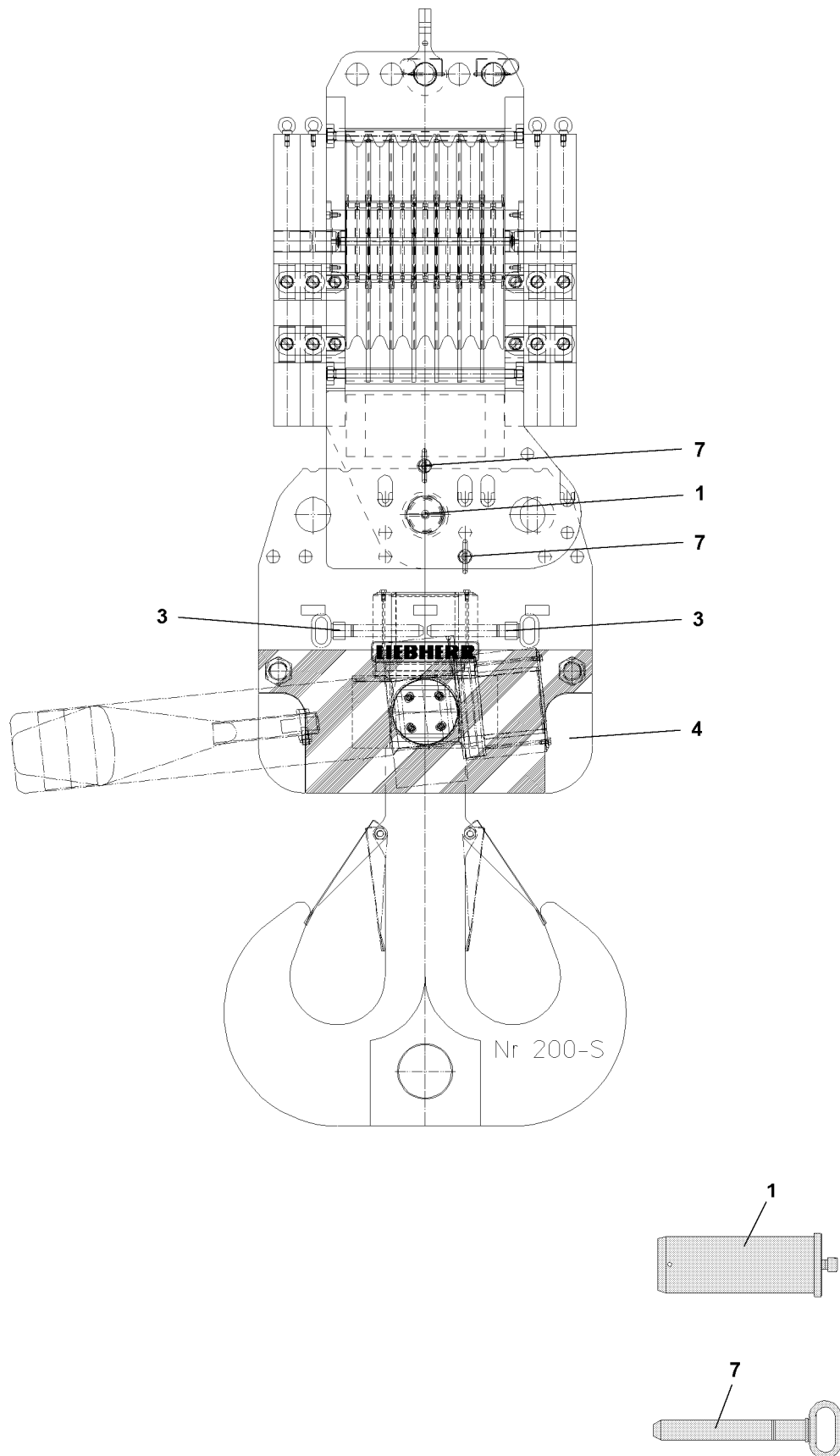


Fig.111463

3.7 Hook block 420 t

Hook block 420 t for a 1 winch operation with cross brace 630 t

The 420 t hook block is a single hook block with a double hook.

Load	Strands	Rope pulleys	Hook number	Weight ¹⁾
420 t	1 x 15	7	200	12 t

1) Hook block without auxiliary weights

3.7.1 Assembling a 420 t hook block

- ▶ Pin the 7 roller pulley block to the cross brace **4**: Insert and secure pin **1**.

In order to prevent the hook block from tilting during assembling and reeving, the retaining pins **7** must be pinned into the hook block.

- ▶ Insert the retaining pins **7**.



WARNING

Shearing off of the retaining pins **7**!

If the retaining pins **7** are not unpinned before the crane operation, then the retaining pins **7** may be shorn off when lifting the load!

Personnel can be severely injured or killed!

- ▶ Unpin the retaining pins **7** before crane operation!

Before starting the crane operation:

- ▶ Insert the retaining pins **7** into the receptacles **3** and secure.

3.7.2 Assembling / disassembling the auxiliary weights



Note

- ▶ The assembly / disassembly of the auxiliary weights is described in section „assembling / disassembling the auxiliary weights“!
- ▶ Notice the minimum required hook block weight!

3.7.3 Disassembling a 420 t hook block



WARNING

The hook block can fall over!

If the retaining pins **7** are not inserted into the hook block before unreeving or disassembling, then the pulley block can tilt away to the side and cause the hook block to topple over!

Personnel can be severely injured or killed!

- ▶ Make sure that all auxiliary weights on the pulley block have been removed before disassembling the hook block!
- ▶ Insert the retaining pin **7** into the hook block before unreeving!

Before starting hook block disassembly:

- ▶ Insert the retaining pins **7** into the hook block.
- ▶ Unpin the 7 roller pulley block on the cross brace **4**: Release and unpin the pin **1**.

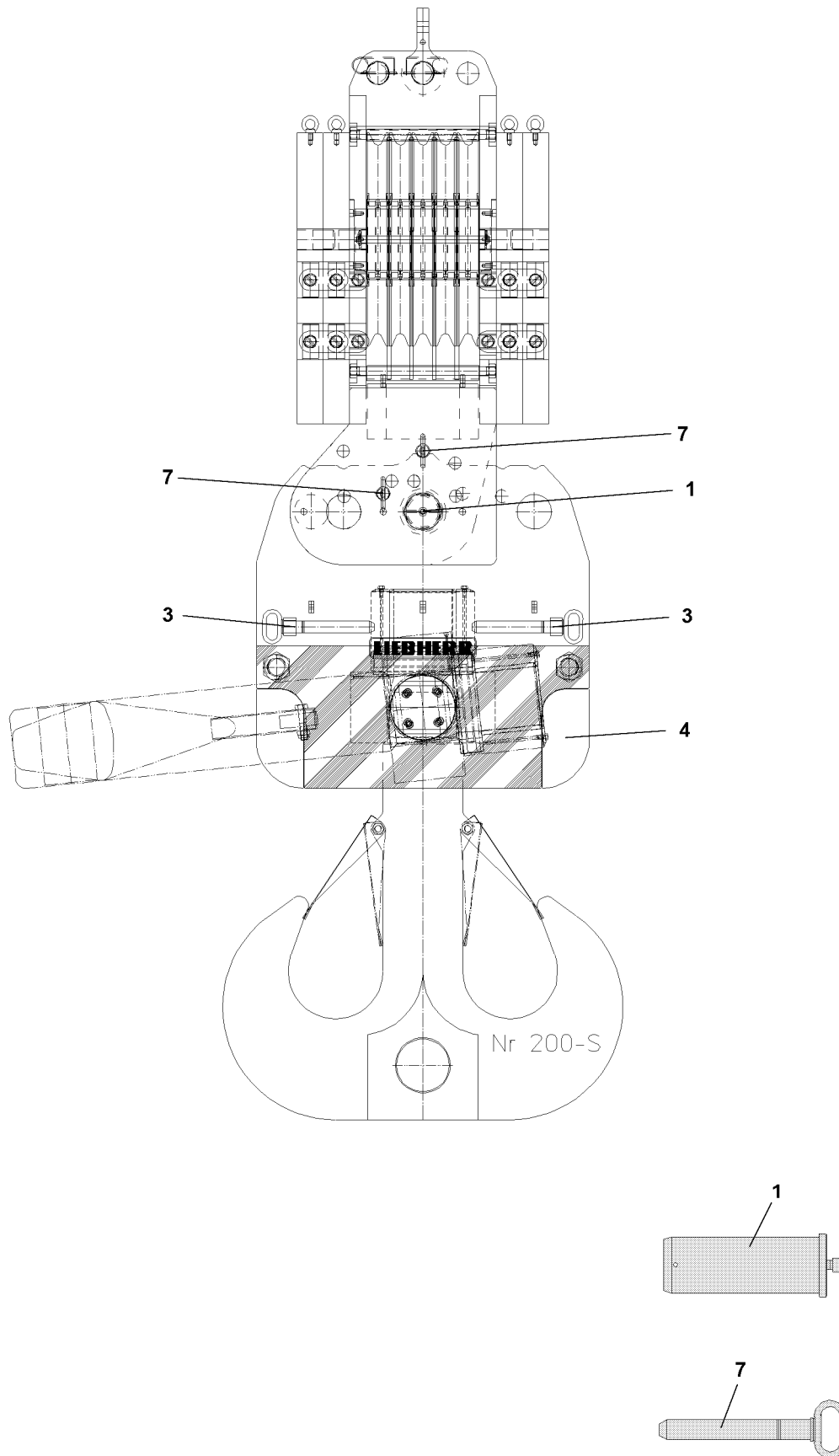


Fig.111464

3.8 Hook block 320 t

Hook block 320 t for a 1 winch operation with cross brace 630 t

The 320 t hook block is a single hook block with a double hook.

Load	Strands	Rope pulleys	Hook number	Weight ¹⁾
320 t	1 x 11	5	200	10 t

1) Hook block without auxiliary weights

3.8.1 Assembling a 320 t hook block

- ▶ Pin the 5 roller pulley block to the cross brace **4**: Insert and secure pin **1**.

In order to prevent the hook block from tilting during assembling and reeving, the retaining pins **7** must be pinned into the hook block.

- ▶ Insert the retaining pins **7**.



WARNING

Shearing off of the retaining pins **7**!

If the retaining pins **7** are not unpinned before the crane operation, then the retaining pins **7** may be shorn off when lifting the load!

Personnel can be severely injured or killed!

- ▶ Unpin the retaining pins **7** before crane operation!

Before starting the crane operation:

- ▶ Insert the retaining pins **7** into the receptacles **3** and secure.

3.8.2 Assembling / disassembling the auxiliary weights



Note

- ▶ The assembly / disassembly of the auxiliary weights is described in section „assembling / disassembling the auxiliary weights“!
- ▶ Notice the minimum required hook block weight!

3.8.3 Disassembling a 320 t hook block



WARNING

The hook block can fall over!

If the retaining pins **7** are not inserted into the hook block before unreeving or disassembling, then the pulley block can tilt away to the side and cause the hook block to topple over!

Personnel can be severely injured or killed!

- ▶ Make sure that all auxiliary weights on the pulley block have been removed before disassembling the hook block!
- ▶ Insert the retaining pin **7** into the hook block before unreeving!

Before starting hook block disassembly:

- ▶ Insert the retaining pins **7** into the hook block.
- ▶ Unpin the 5 roller pulley block on the cross brace **4**: Release and unpin the pin **1**.

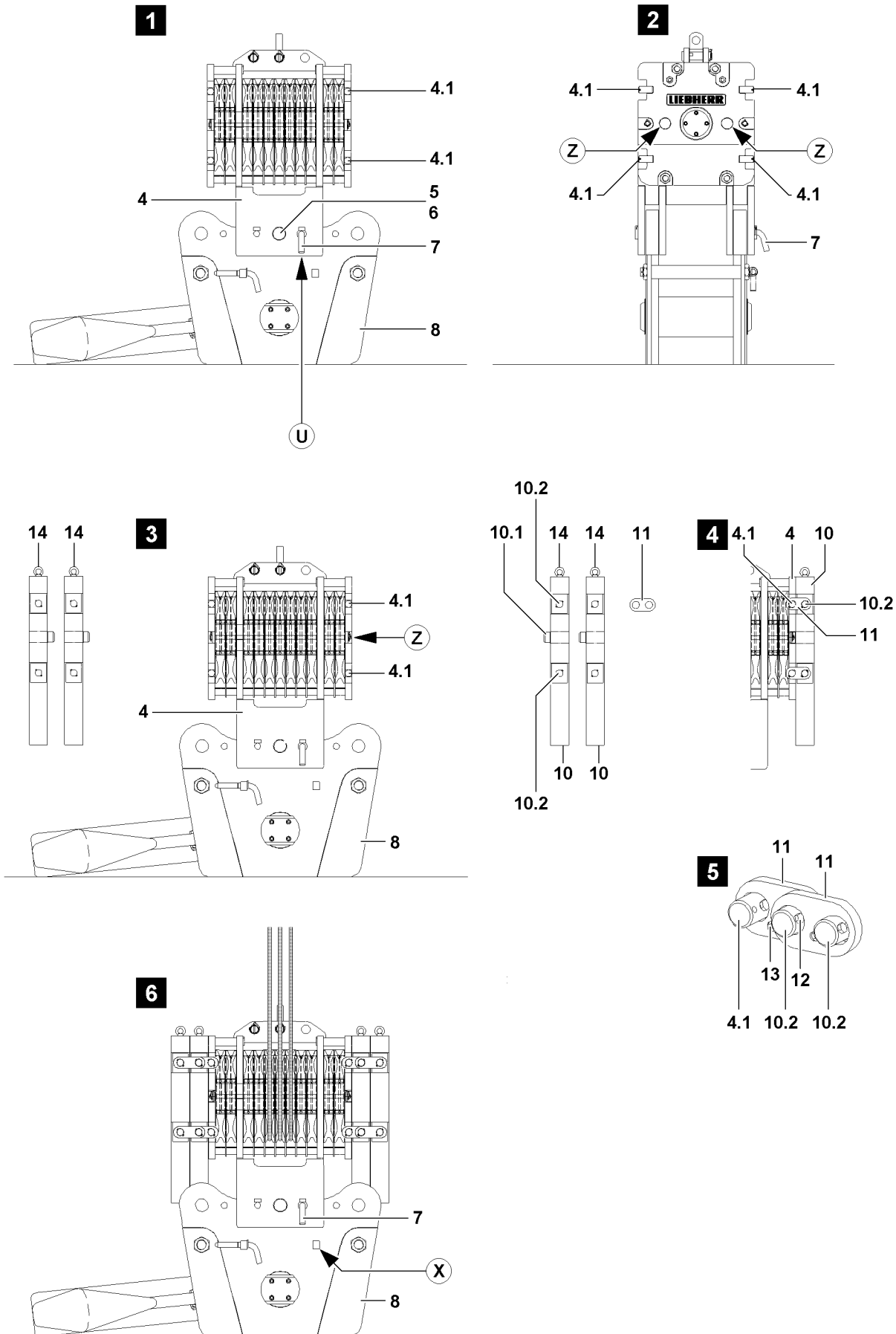


Fig.111466

4 Assembling / disassembling the auxiliary weights



Note

- ▶ The assembly of the auxiliary weights is described in this section as an example!
- ▶ The hook blocks shown in this section may not exactly match your crane!

4.1 Assembling / disassembling auxiliary weights on the double hook block for single operation

4.1.1 Installing the auxiliary weights



Note

- ▶ The own weight for each auxiliary weight is marked on the auxiliary weight!



WARNING

Toppling of hook block!

If the auxiliary weights are installed one-sided, the hook block can topple over!

Personnel can be severely injured or killed!

- ▶ The auxiliary weights may only be installed **individually** and alternating left and right on the pulley block!
- ▶ When the required auxiliary weight is installed on the pulley block, the difference between the left and right side may never be more than one auxiliary weight!
- ▶ Asymmetrical installation of auxiliary weights is prohibited!

Make sure that the following prerequisites are met:

- The hook block is placed on the ground.
- The pulley block **4** is properly installed and secured.
- The retaining pin **7** is pinned and secured at point **U**.



WARNING

Falling auxiliary weights!

If the auxiliary weights are not properly installed on the pulley block, then they can fall down during installation or in crane operation!

Personnel can be severely injured or killed!

- ▶ Standing under a suspended auxiliary weight is prohibited!
- ▶ Make sure that the auxiliary weights are properly installed and secured!
- ▶ Crane operation with insufficiently secured auxiliary weights is prohibited!

- ▶ Attach the auxiliary weight **10** on the ring screw **14** on the auxiliary crane, illustration **3**.

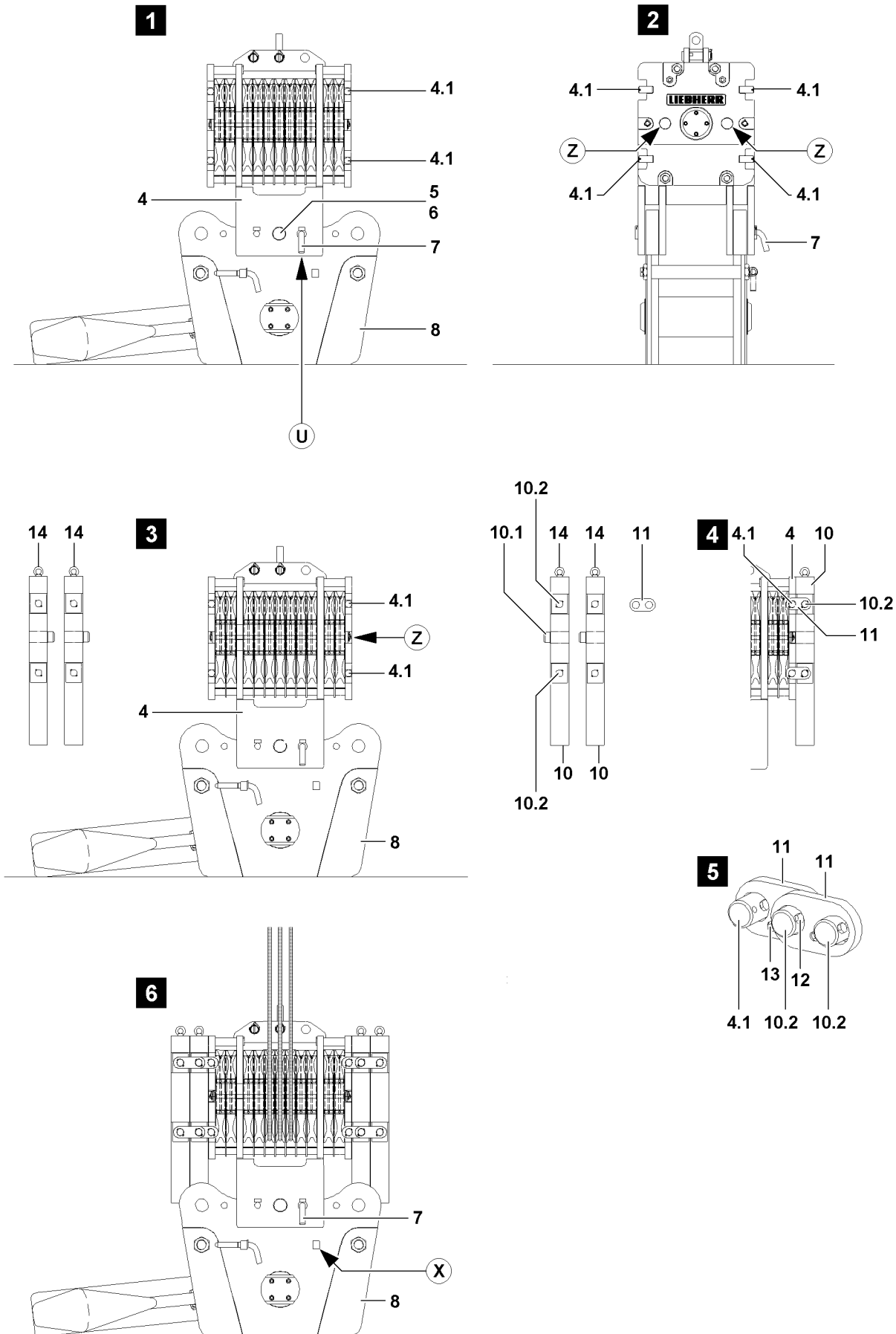


Fig.111466

**WARNING**

Danger of crushing!

When swinging the auxiliary weights to the pulley block, personnel can be severely injured or killed!
Fingers, hands and arms can be crushed or severed!

- ▶ It is prohibited for anyone to remain between the pulley block and the auxiliary weight!
- ▶ Swing auxiliary weights in to the pulley block with utmost caution and at the least possible speed!

- ▶ Align the auxiliary weight **10** on the pulley block **4**.
- ▶ Move the centering pin **10.1** of the auxiliary weight into the centering bores **Z** on the pulley block **4**, illustration **4**.

**WARNING**

Falling auxiliary weights!

If all mounting brackets are removed simultaneously on an unsecured auxiliary weight, then the auxiliary weight can fall down!

Personnel can be severely injured or killed!

- ▶ Never remove all mounting brackets of an unsecured auxiliary weight at the same time!
- ▶ Always install or remove the mounting brackets alternately!

- ▶ Install the mounting brackets **11** on the side and connect the pulley block **4** with the auxiliary weight **10**, illustration **5**.
- ▶ Secure the mounting brackets **11** with screws **12** and lock nuts **13**, illustration **5**.

**Note**

- ▶ Additional auxiliary weights must be connected with the mounting brackets **11**!

**WARNING**

Falling auxiliary weights!

The auxiliary weights can fall down by removing the auxiliary crane!

Personnel can be severely injured or killed!

- ▶ Remove the auxiliary crane only when it is ensured that the auxiliary weight **10** is properly secured with the mounting brackets **11**!

When the respective auxiliary weight is properly installed and secured:

- ▶ Remove the auxiliary crane.

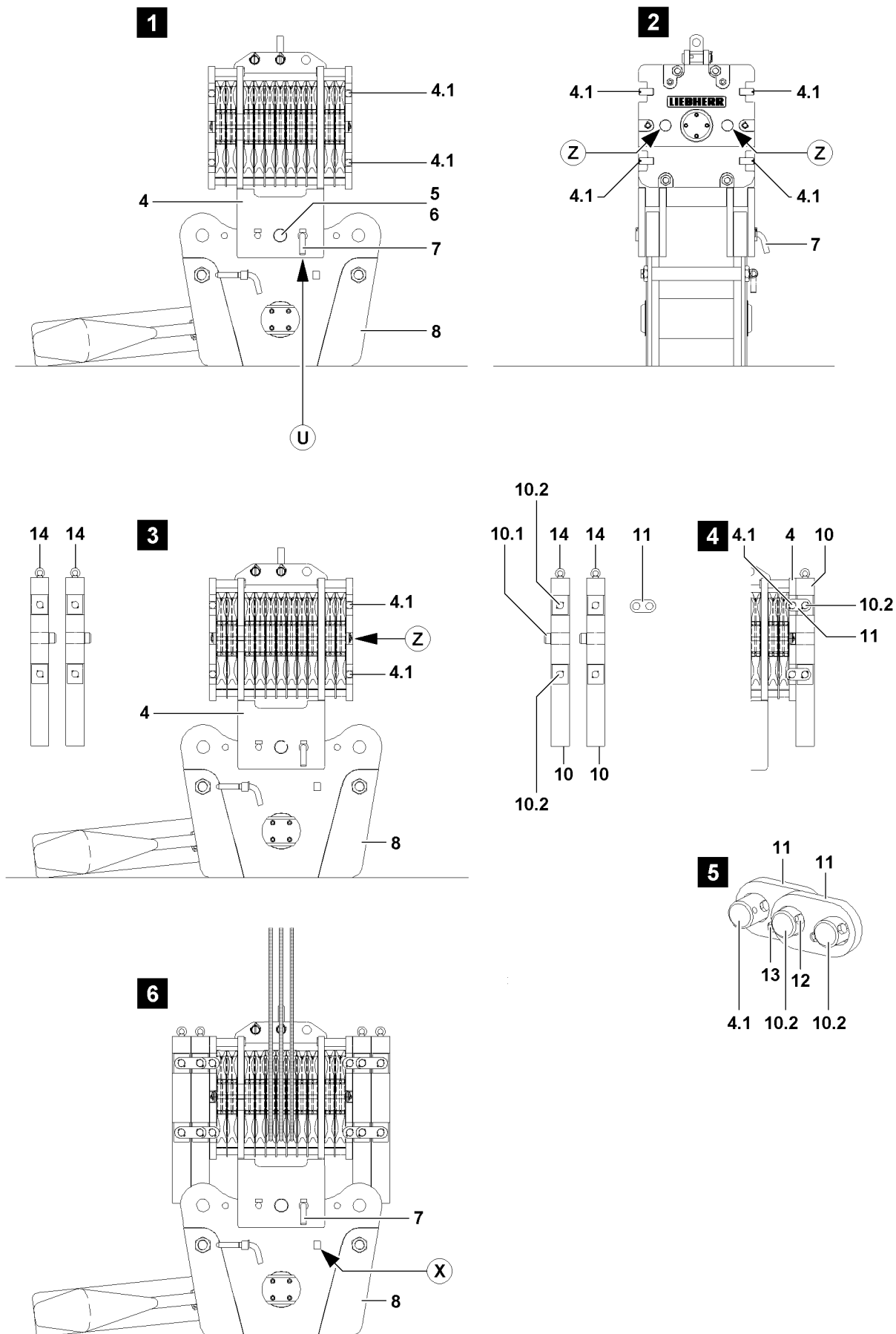


Fig.111466

4.1.2 Removing the auxiliary weights



Note

- ▶ The own weight for each auxiliary weight is marked on the auxiliary weight!



WARNING

Toppling of hook block!

If the auxiliary weights are removed one-sided, the hook block can topple over!

Personnel can be severely injured or killed!

- ▶ The auxiliary weights may only be removed **individually** and alternating left and right on the pulley block!
- ▶ The difference between the left and the right side at removal of the auxiliary weights may never be more than one auxiliary weight!
- ▶ Asymmetrical removal of auxiliary weights is prohibited!

Make sure that the following prerequisite is met:

- The retaining pin **7** is pinned and secured at point **U**.



WARNING

Falling auxiliary weights!

If the auxiliary weights on the pulley block are not properly removed, then they can fall down at removal!

Personnel can be severely injured or killed!

- ▶ Standing under a suspended auxiliary weight is prohibited!
- ▶ Attach the auxiliary weight **10** on the ring screw **14** on the auxiliary crane.
- ▶ Tension the fastening equipment carefully.



WARNING

Oscillating auxiliary weights!

During the removal of the auxiliary weights, the auxiliary weights can start to swing back and forth!

Personnel can be severely injured or killed!

- ▶ It is prohibited for anyone to remain in the danger zone!
- ▶ Make sure that the auxiliary weight which is being removed is properly attached on the auxiliary crane before releasing the mounting brackets!
- ▶ Angular pull is prohibited!

When the fastening equipment is tensioned on the auxiliary weight:

- ▶ Release the screw connection on the mounting brackets of the outermost auxiliary weight and remove the screws.

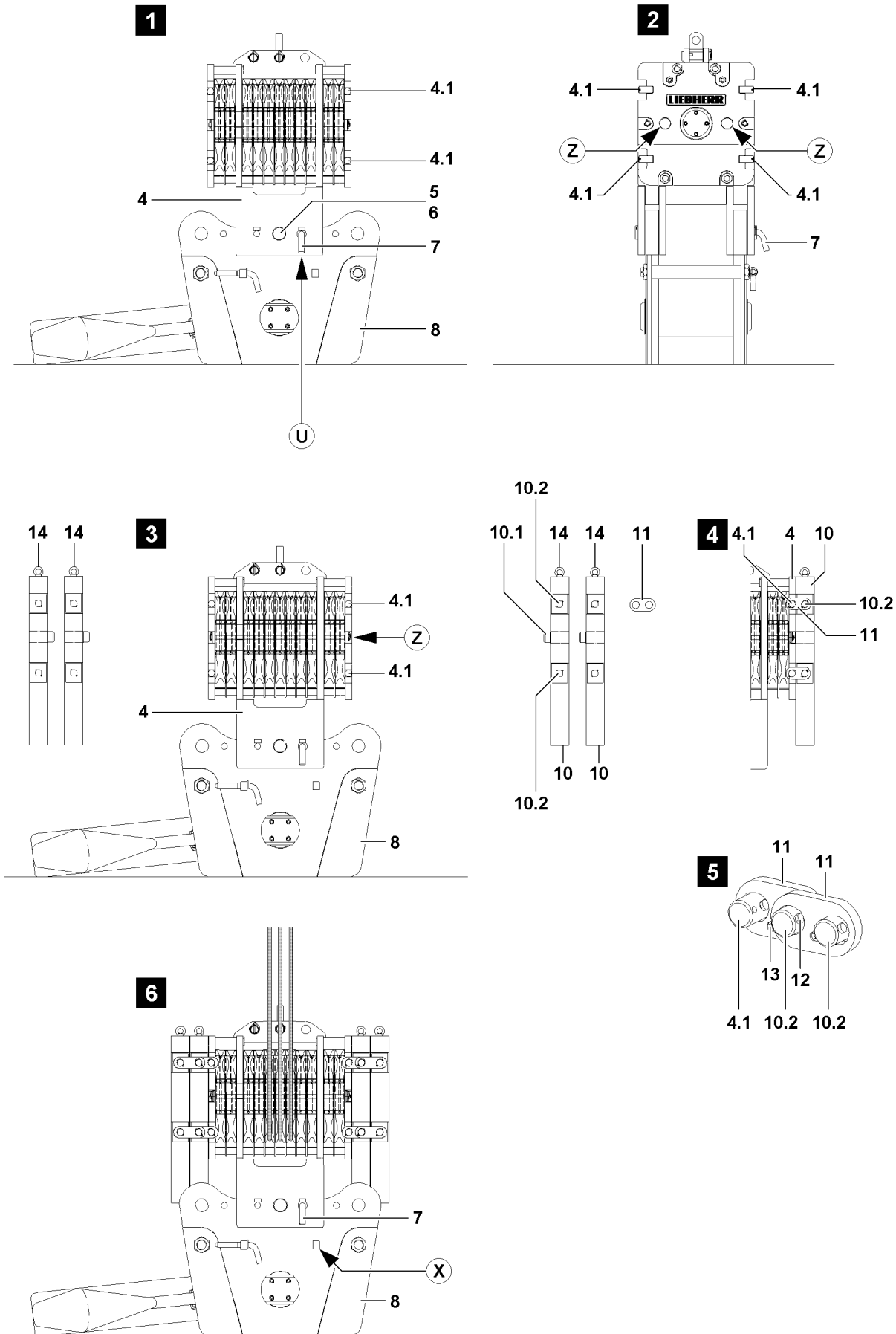


Fig.111466

**WARNING**

Falling auxiliary weights!

If all mounting brackets are removed simultaneously on an unsecured auxiliary weight, then the auxiliary weight can fall down!

Personnel can be severely injured or killed!

- ▶ Never remove all mounting brackets of an unsecured auxiliary weight at the same time!
- ▶ Always install or remove the mounting brackets alternately!

- ▶ Pull the mounting brackets **11** off to the side.

**WARNING**

Falling auxiliary weights!

If additional auxiliary weights which are being removed are released, then these auxiliary weights can fall down!

Personnel can be severely injured or killed!

- ▶ Make sure, before removing the outermost auxiliary weight, that the other auxiliary weights are secured with the mounting brackets!

If additional mounting brackets must be removed to release the outermost auxiliary weight:

- ▶ Reinstall the mounting brackets again immediately, so that only the auxiliary weight which is being removed is released.
- ▶ Lift the auxiliary weight with the auxiliary crane from the pulley block.
- ▶ Place the auxiliary weight onto the ground.
- ▶ Remove the auxiliary crane.
- ▶ Remove additional auxiliary weights as described above.

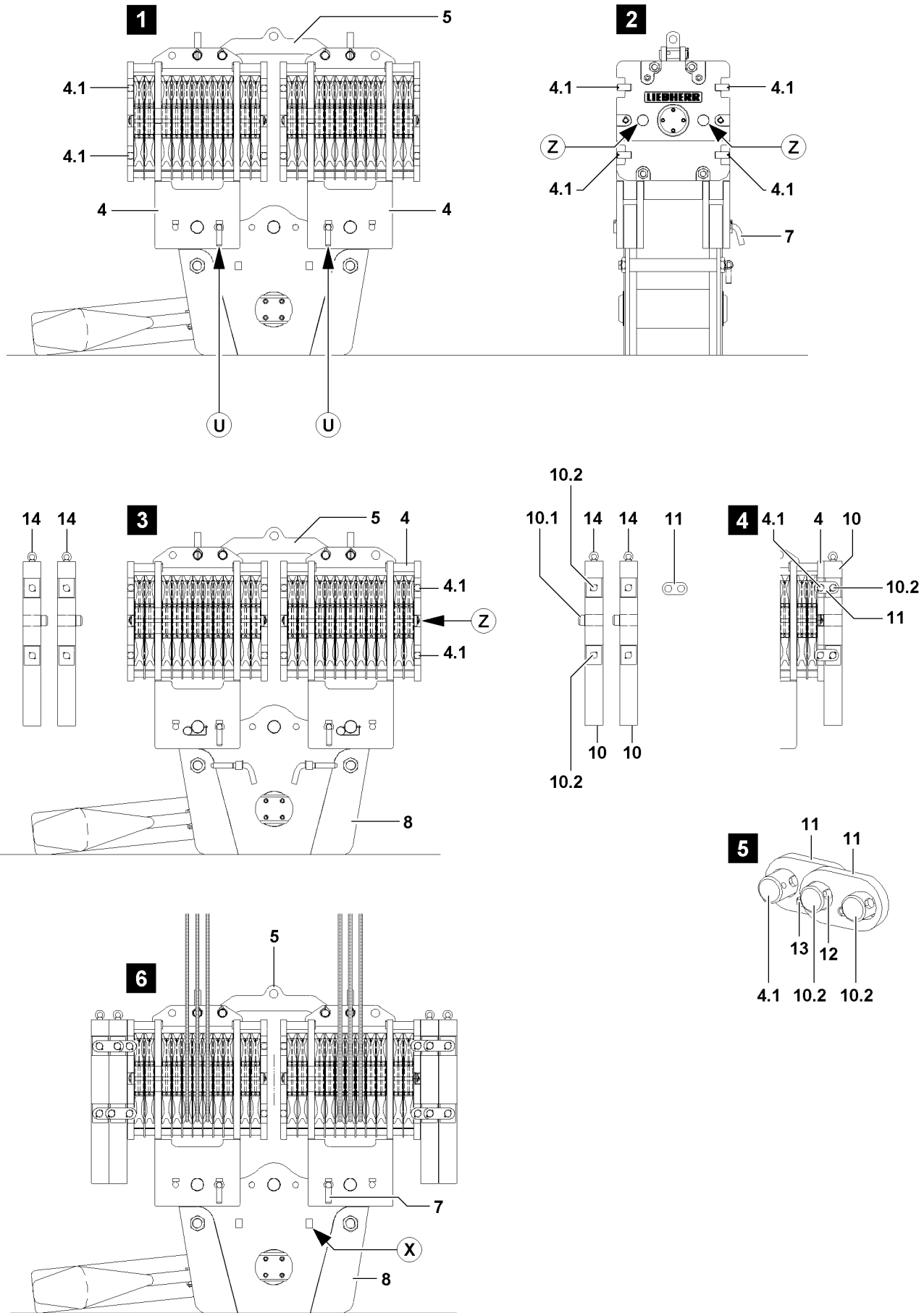


Fig.111465

LWE/LR 11350-005/19004-04-02/en

4.2 Assembling / disassembling auxiliary weights on the double hook block for parallel operation

4.2.1 Installing the auxiliary weights



Note

- ▶ The own weight for each auxiliary weight is marked on the auxiliary weight!



WARNING

Toppling of hook block!

If the auxiliary weights are installed one-sided, the hook block can topple over!

Personnel can be severely injured or killed!

- ▶ The auxiliary weights may only be placed **individually** and alternating left and right on the pulley blocks of the hook block!
- ▶ When the required auxiliary weight is installed on the pulley blocks, the difference between the left and right side may never be more than one auxiliary weight!
- ▶ Asymmetrical installation of auxiliary weights is prohibited!

Make sure that the following prerequisites are met:

- The hook block is placed on the ground.
- The pulley blocks **4** are properly installed and secured.
- The retaining pins **7** are pinned in and secured at point **U**.
- The block connector **1** is properly installed and secured.



WARNING

Falling auxiliary weights!

If the auxiliary weights on the pulley blocks are not properly installed, then they can fall down during installation or during crane operation!

Personnel can be severely injured or killed!

- ▶ Standing under a suspended auxiliary weight is prohibited!
- ▶ Make sure that the auxiliary weights are properly installed and secured!
- ▶ Crane operation with insufficiently secured auxiliary weights is prohibited!

- ▶ Attach the auxiliary weight **10** on the ring screw **14** on the auxiliary crane.



WARNING

Danger of crushing!

When swinging the auxiliary weights to the pulley block, personnel can be severely injured or killed!

Fingers, hands and arms can be crushed or severed!

- ▶ It is prohibited for anyone to remain between the pulley blocks and the auxiliary weight!
- ▶ Swing auxiliary weights in to the pulley block with utmost caution and at the least possible speed!

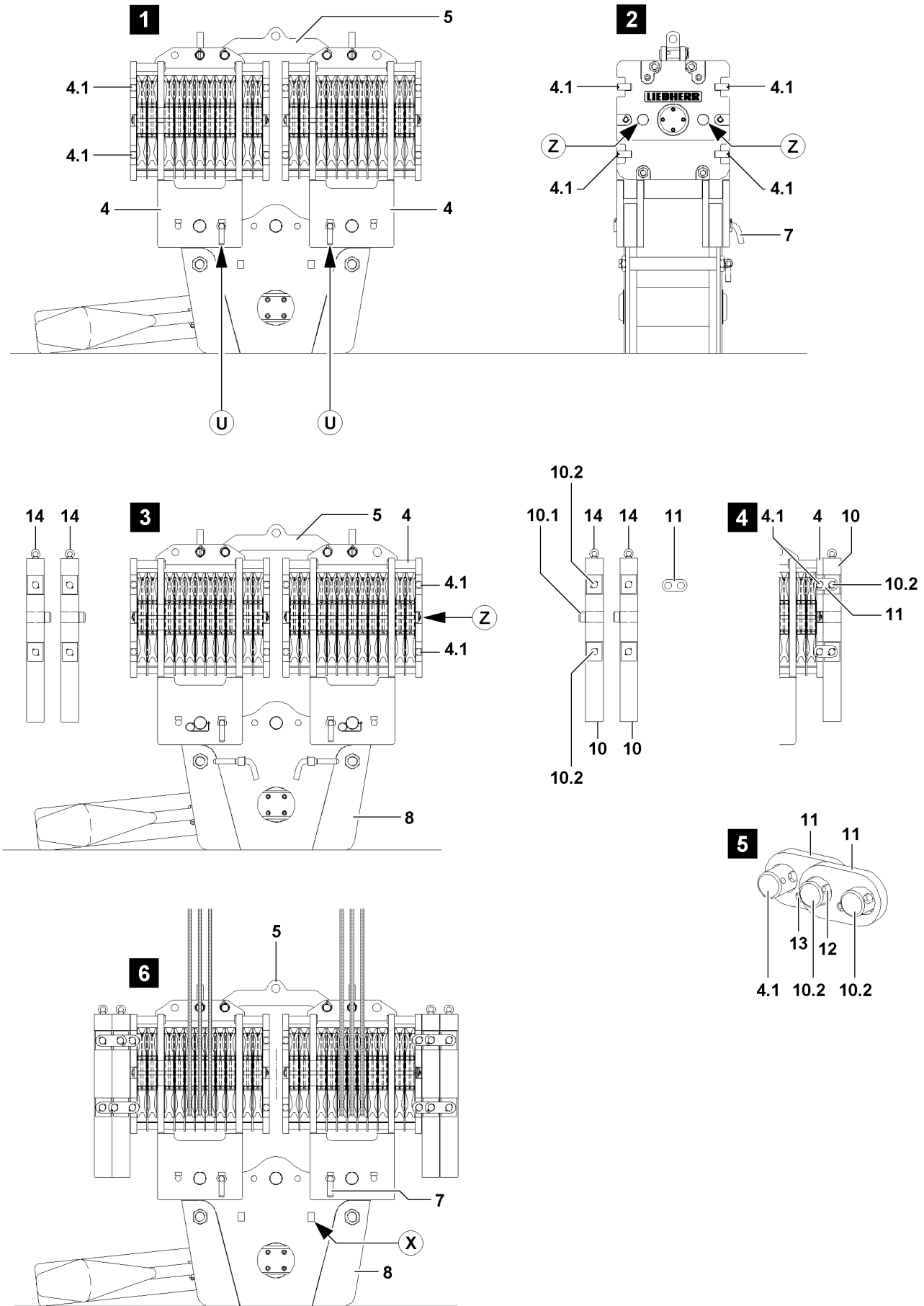


Fig.111465

- ▶ Align the auxiliary weight **10** on the pulley block **4**.
- ▶ Move the centering pin **10.1** of the auxiliary weight into the centering bores **Z** on the pulley block **4**, illustration **4**.

**WARNING**

Falling auxiliary weights!

If all mounting brackets are removed simultaneously on an unsecured auxiliary weight, then the auxiliary weight can fall down!

Personnel can be severely injured or killed!

- ▶ Never remove all mounting brackets of an unsecured auxiliary weight at the same time!
- ▶ Always install or remove the mounting brackets alternately!

▶ Install the mounting brackets **11** on the side and connect the pulley block **4** with the auxiliary weight **10**, illustration **5**.

▶ Secure the mounting brackets **11** with screws **12** and lock nuts **13**, illustration **5**.

**Note**

- ▶ Additional auxiliary weights must be connected with the mounting brackets **11**!

**WARNING**

Falling auxiliary weights!

The auxiliary weights can fall down to the side when the auxiliary crane is removed!

Personnel can be severely injured or killed!

- ▶ Remove the auxiliary crane only when it is ensured that the auxiliary weight **10** is properly secured with the mounting brackets **11**!

When the respective auxiliary weight is properly installed and secured:

- ▶ Remove the auxiliary crane.

4.2.2 Removing the auxiliary weights

**Note**

- ▶ The own weight for each auxiliary weight is marked on the auxiliary weight!

**WARNING**

Toppling of hook block!

If the auxiliary weights are removed one-sided, the hook block can topple over!

Personnel can be severely injured or killed!

- ▶ The auxiliary weights may only be removed **individually** and alternating left and right on the pulley blocks of the hook block!
- ▶ The difference between the left and the right side at removal of the auxiliary weights may never be more than one auxiliary weight!
- ▶ Asymmetrical removal of auxiliary weights is prohibited!

Make sure that the following prerequisites are met:

- The retaining pins **7** are pinned and secured on both sides at point **U**.
- The block connector **1** has been removed.

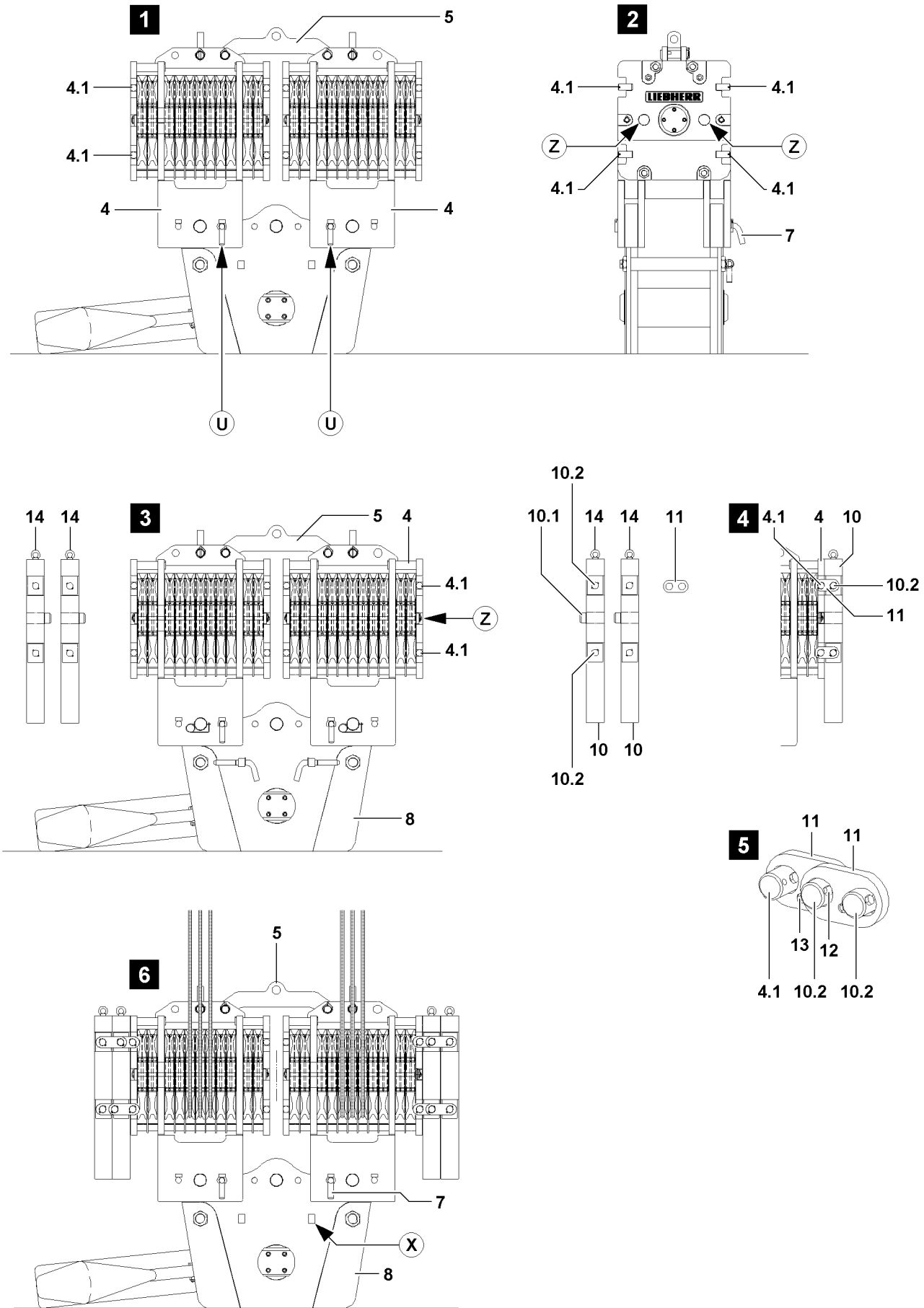


Fig.111465

**WARNING**

Falling auxiliary weights!

If the auxiliary weights on the pulley blocks are not properly removed, then they can fall down at removal!

Personnel can be severely injured or killed!

▶ Standing under a suspended auxiliary weight is prohibited!

▶ Attach the auxiliary weight **10** on the ring screw **14** on the auxiliary crane.

▶ Tension the fastening equipment carefully.

**WARNING**

Oscillating auxiliary weights!

During the removal of the auxiliary weights, the auxiliary weights can start to swing back and forth!

Personnel can be severely injured or killed!

▶ It is prohibited for anyone to remain in the danger zone!

▶ Make sure that the auxiliary weight which is being removed is properly attached on the auxiliary crane before releasing the mounting brackets!

▶ Angular pull is prohibited!

When the fastening equipment is tensioned on the auxiliary weight:

▶ Release the screw connection on the mounting brackets of the outermost auxiliary weight and remove the screws.

**WARNING**

Falling auxiliary weights!

If all mounting brackets are removed simultaneously on an unsecured auxiliary weight, then the auxiliary weight can fall down!

Personnel can be severely injured or killed!

▶ Never remove all mounting brackets of an unsecured auxiliary weight at the same time!

▶ Always install or remove the mounting brackets alternately!

▶ Pull the mounting brackets **11** off to the side.

**WARNING**

Falling auxiliary weights!

If additional auxiliary weights which are being removed are released, then these auxiliary weights can fall down!

Personnel can be severely injured or killed!

▶ Make sure, before removing the outermost auxiliary weight, that the other auxiliary weights are secured with the mounting brackets!

If additional mounting brackets must be removed to release the outermost auxiliary weight:

▶ Reinstall the mounting brackets again immediately, so that only the auxiliary weight which is being removed is released.

▶ Lift the auxiliary weight with the auxiliary crane from the pulley block.

▶ Place the auxiliary weight onto the ground.

▶ Remove the auxiliary crane.

▶ Remove additional auxiliary weights as described above.

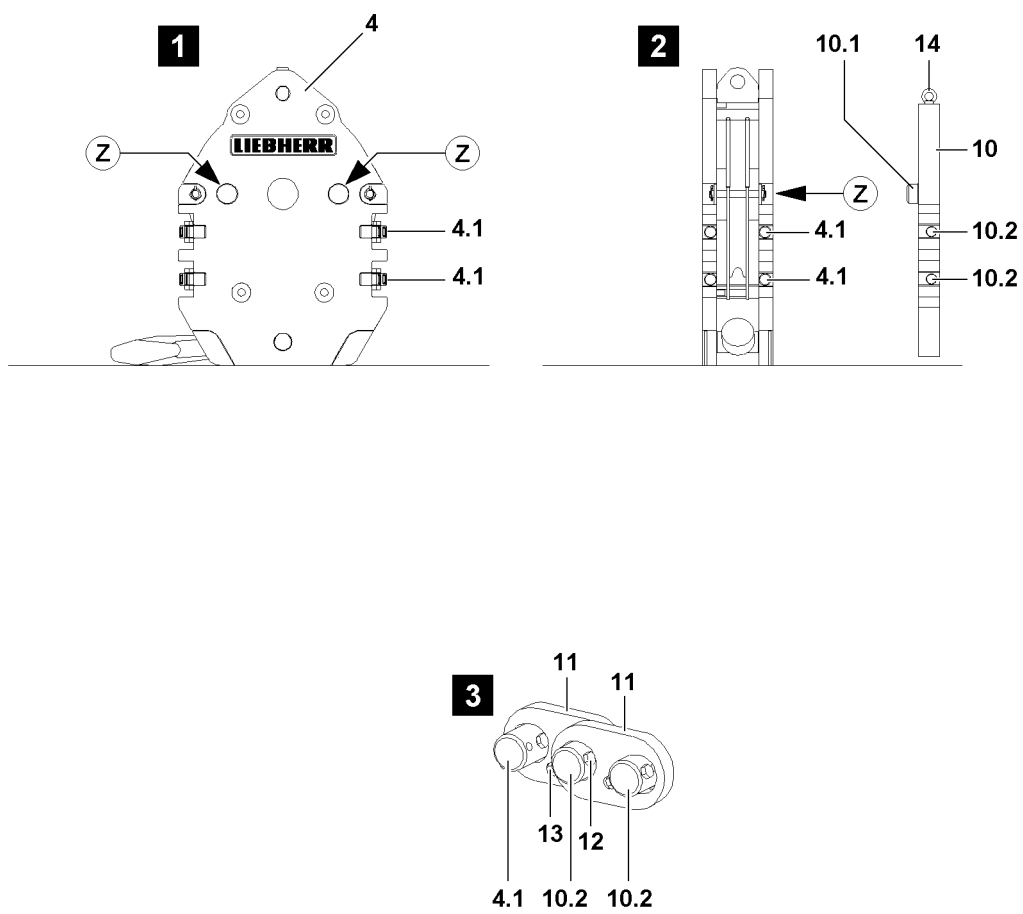


Fig.108146

4.3 Installing the auxiliary weights on the single pulley blocks

4.3.1 Installing the auxiliary weights



Note

- ▶ The own weight for each auxiliary weight is marked on the auxiliary weight!



WARNING

Toppling of hook block!

If the auxiliary weights are installed one-sided, the hook block can topple over!
Personnel can be severely injured or killed!

- ▶ The auxiliary weights may only be installed **individually** and alternately on the left and right on the hook block!
- ▶ When the required auxiliary weight is installed on the hook block, the difference between the left and right side may never be more than one auxiliary weight!
- ▶ Asymmetrical installation of auxiliary weights is prohibited!

Make sure that the following prerequisite is met:

- The hook block is placed on the ground.



WARNING

Falling auxiliary weights!

If the auxiliary weights are not properly installed on the hook block, then they can fall down during installation or in crane operation!

Personnel can be severely injured or killed!

- ▶ Standing under a suspended auxiliary weight is prohibited!
- ▶ Make sure that the auxiliary weights are properly installed and secured!
- ▶ Crane operation with insufficiently secured auxiliary weights is prohibited!

- ▶ Attach the auxiliary weight **10** on the ring screw **14** on the auxiliary crane.



WARNING

Danger of crushing!

When swinging the auxiliary weights to the hook block, personnel can be severely injured or killed!
Fingers, hands and arms can be crushed or severed!

- ▶ It is prohibited for anyone to remain between the hook block and the auxiliary weight!
- ▶ Swing auxiliary weights in to the hook block with utmost caution and at the least possible speed!

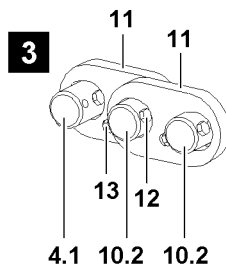
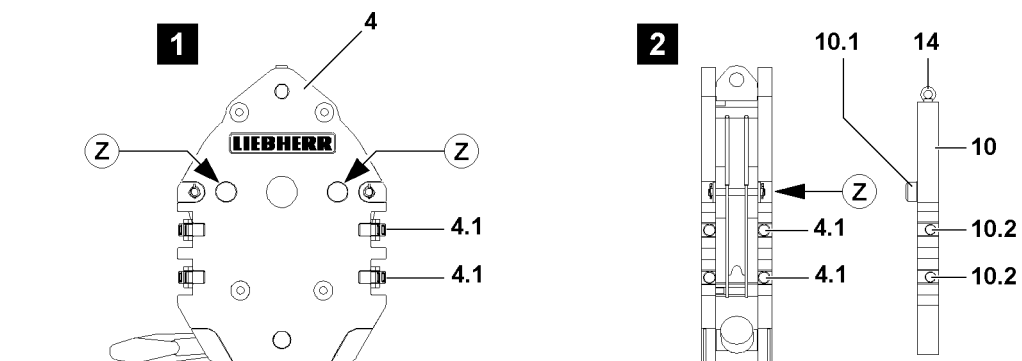


Fig.108146

- ▶ Align the auxiliary weight **10** on the hook block.
- ▶ Move the centering pin **10.1** of the auxiliary weight into the centering bores **Z** on the hook block.

**WARNING**

Falling auxiliary weights!

If all mounting brackets are removed simultaneously on an unsecured auxiliary weight, then the auxiliary weight can fall down!

Personnel can be severely injured or killed!

- ▶ Never remove all mounting brackets of an unsecured auxiliary weight at the same time!
- ▶ Always install or remove the mounting brackets alternately!

- ▶ Install the mounting brackets **11** on the side and connect the hook block with the auxiliary weight **10**, illustration **3**.
- ▶ Secure the mounting brackets **11** with screws **12** and lock nuts **13**, illustration **3**.

**Note**

- ▶ Additional auxiliary weights must be connected with the mounting brackets **11**!

**WARNING**

Falling auxiliary weights!

The auxiliary weights can fall down by removing the auxiliary crane!

Personnel can be severely injured or killed!

- ▶ Remove the auxiliary crane only when it is ensured that the auxiliary weight **10** is properly secured with the mounting brackets **11**!

When the respective auxiliary weight is properly installed and secured:

- ▶ Remove the auxiliary crane.

4.3.2 Removing the auxiliary weights

**Note**

- ▶ The own weight for each auxiliary weight is marked on the auxiliary weight!

**WARNING**

Toppling of hook block!

If the auxiliary weights are removed one-sided, the hook block can topple over!

Personnel can be severely injured or killed!

- ▶ The auxiliary weights may only be removed **individually** and alternately on the left and right on the hook block!
- ▶ The difference between the left and the right side at removal of the auxiliary weights may never be more than one auxiliary weight!
- ▶ Asymmetrical removal of auxiliary weights is prohibited!

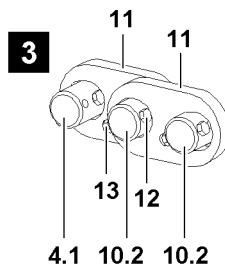
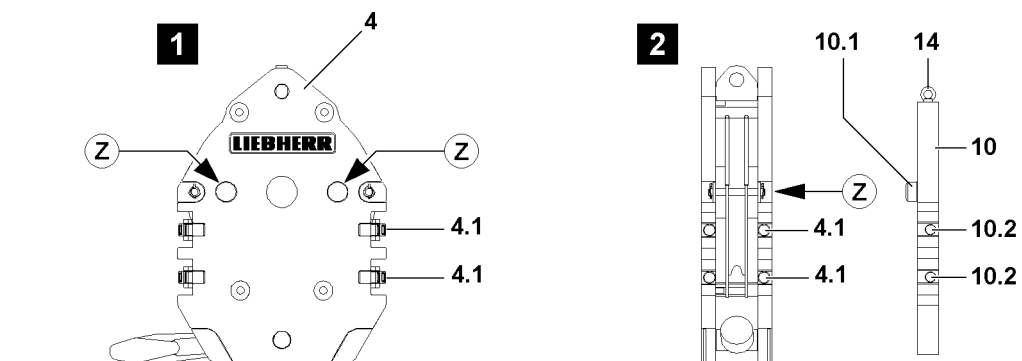


Fig.108146

**WARNING**

Falling auxiliary weights!

If the auxiliary weights on the pulley block are not properly removed, then they can fall down at removal!

Personnel can be severely injured or killed!

▶ Standing under a suspended auxiliary weight is prohibited!

▶ Attach the auxiliary weight **10** on the ring screw **14** on the auxiliary crane.

▶ Tension the fastening equipment carefully.

**WARNING**

Oscillating auxiliary weights!

During the removal of the auxiliary weights, the auxiliary weights can start to swing back and forth!

Personnel can be severely injured or killed!

▶ It is prohibited for anyone to remain in the danger zone!

▶ Make sure that the auxiliary weight which is being removed is properly attached on the auxiliary crane before releasing the mounting brackets!

▶ Angular pull is prohibited!

When the fastening equipment is tensioned on the auxiliary weight:

▶ Release the screw connection on the mounting brackets of the outermost auxiliary weight and remove the screws.

**WARNING**

Falling auxiliary weights!

If all mounting brackets are removed simultaneously on an unsecured auxiliary weight, then the auxiliary weight can fall down!

Personnel can be severely injured or killed!

▶ Never remove all mounting brackets of an unsecured auxiliary weight at the same time!

▶ Always install or remove the mounting brackets alternately!

▶ Pull the mounting brackets **11** off to the side.

**WARNING**

Falling auxiliary weights!

If additional auxiliary weights which are being removed are released, then these auxiliary weights can fall down!

Personnel can be severely injured or killed!

▶ Make sure, before removing the outermost auxiliary weight, that the other auxiliary weights are secured with the mounting brackets!

If additional mounting brackets must be removed to release the outermost auxiliary weight:

▶ Reinstall the mounting brackets again immediately, so that only the auxiliary weight which is being removed is released.

▶ Lift the auxiliary weight with the auxiliary crane from the hook block.

▶ Place the auxiliary weight onto the ground.

▶ Remove the auxiliary crane.

▶ Remove additional auxiliary weights as described above.

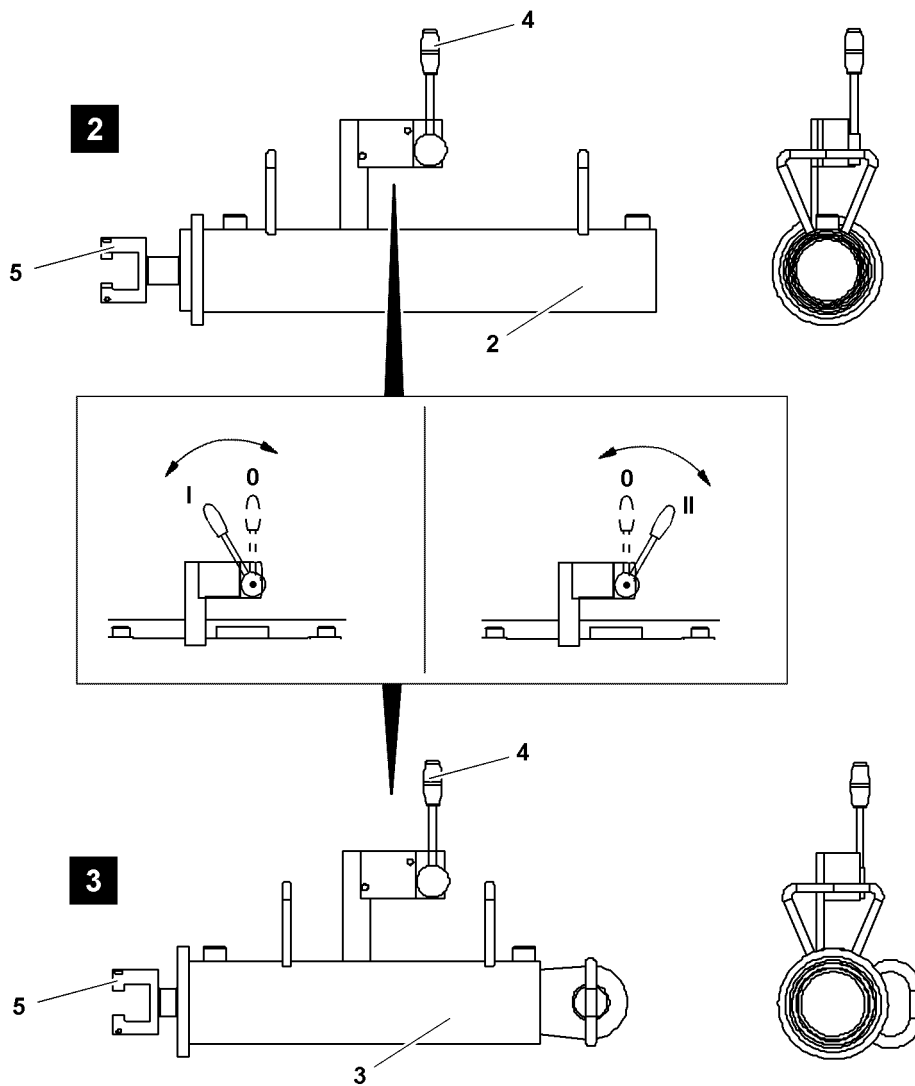
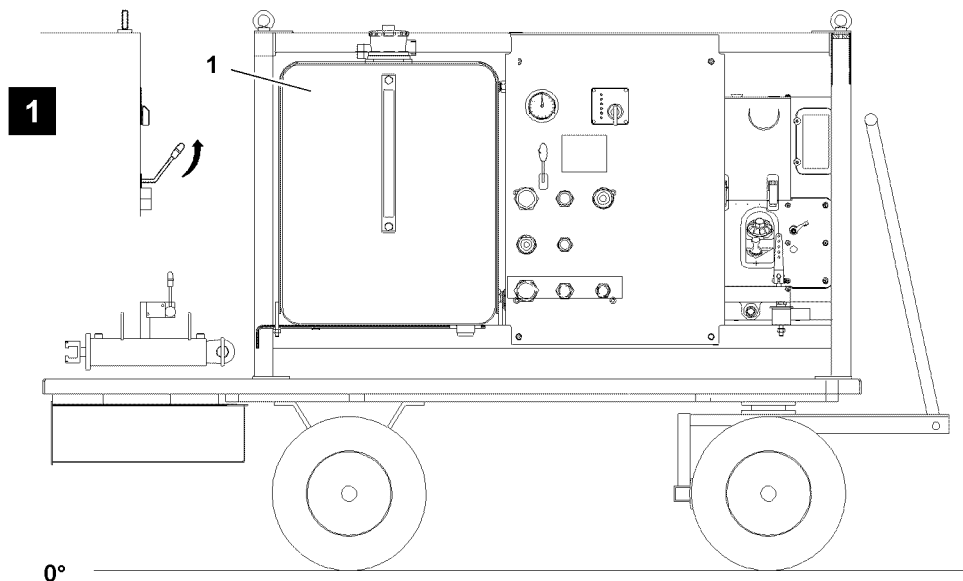


Fig.121949

LWE/LR 11350-005/19004-04-02/en

1 Pinning and unpinning with pin pulling device

The pin pulling device consists of the hydraulic aggregate and the pin pulling cylinders. The connector pins on the crawler crane and on the lattice sections are pinned and unpinned with these pin pulling cylinders.



Note

- ▶ The pin pulling cylinder **2** is used for pinning and unpinning on the chassis.



Note

- ▶ The pin pulling cylinder **3** is used for pinning and unpinning on the lattice sections.



DANGER

Danger of accident!

When you disassemble unsecured or unsupported crane parts, they can fall down!

Personnel can be severely injured or killed!

- ▶ Never stand **under** unsecured or unsupported crane parts and unpin the pins!
- ▶ Never unpin the connecting pins on unsecured or unsupported booms!
- ▶ Do not stand under the crane parts or within the complete danger zone during the pinning and unpinning procedure!
- ▶ Do not lean the ladder against the crane part being disassembled!



WARNING

Pressure in the hydraulic lines!

If the pressure supply is not interrupted before connecting / releasing the hydraulic lines, the hydraulic oil can escape with high pressure!

Personnel can be severely injured or killed!

- ▶ Release the pressure in the hydraulic system before connecting / disconnecting: Interrupt the pressure supply and wait for a short time!



WARNING

Loss of pressure or leakage!

Incorrectly coupled or self-loosening quick-release couplings (particularly return lines) can result in serious accidents due to component failure!

- ▶ Check that the quick couplings have been properly connected before using the crane!
- ▶ Assemble coupling components (sleeve and connector) and screw together with the hand-tightened nut!
- ▶ Tighten the hydraulic coupling by hand. Rotate hand-tightened nut until it reaches a tangible, fixed stop position!

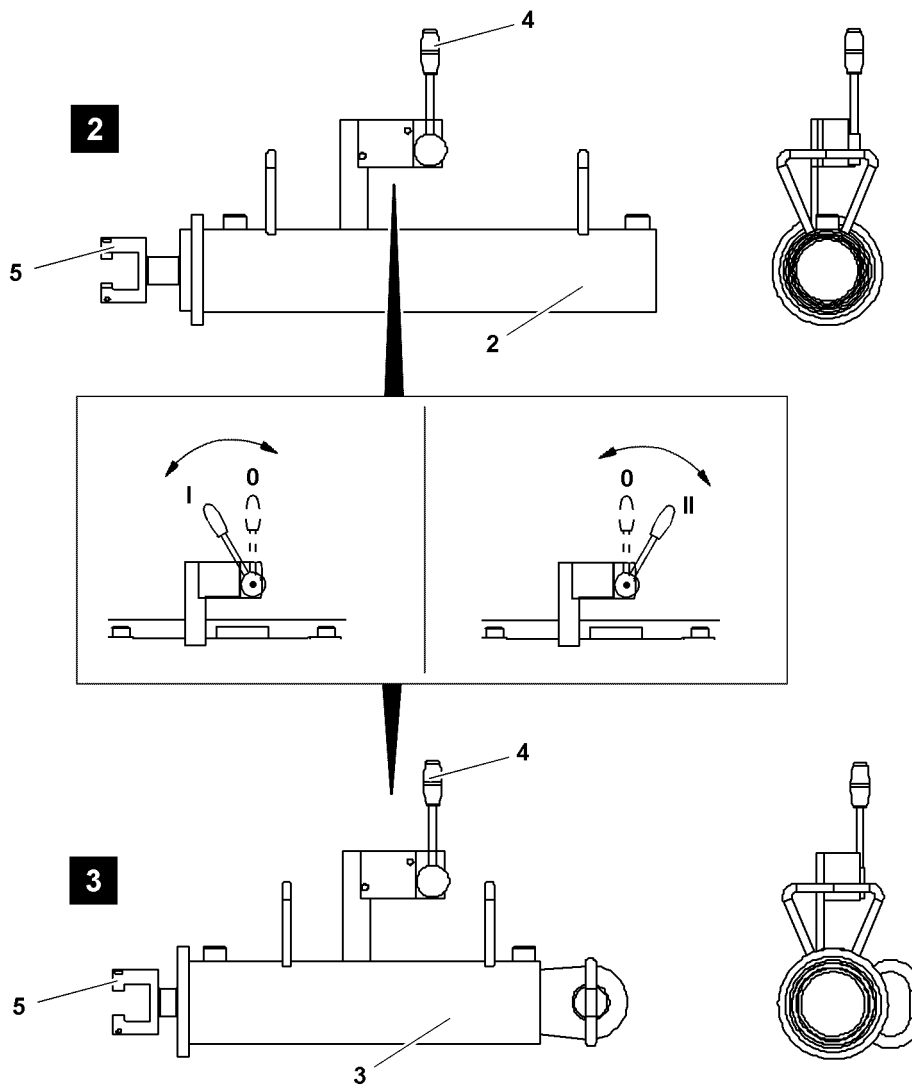
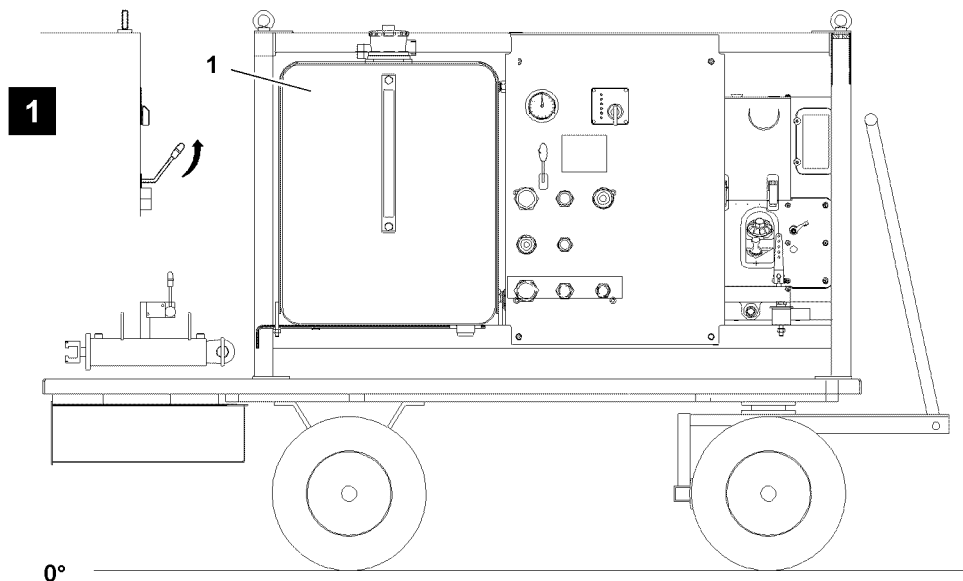


Fig.121949

LWE/LR 11350-005/19004-04-02/en

1.1 Hydraulic oil level



Note

- ▶ The hydraulic oil tank is filled when starting the hydraulic aggregate.
- ▶ Check the hydraulic oil level, see Operating and maintenance instructions for the Hydraulic aggregate.

NOTICE

Emerging hydraulic oil!

When the hydraulic aggregate is changed and / or the operational crane hydraulic is connected, then there is a danger that the hydraulic oil is supplied during the working process into the hydraulic tank circuit and thus forwarded into the hydraulic tank of the hydraulic aggregate.

The forwarded hydraulic oil quantity exceeds the tank volume of the hydraulic aggregate. Hydraulic oil runs over and contaminates the environment.

- ▶ Make sure that the hydraulic aggregate is separated from the hydraulic circuit of the crane before hydraulic components are actuated via the crane hydraulic.
- ▶ Make sure, before the hydraulic aggregate is separated from the crane, that the working process is ended with the same hydraulic aggregate.
- ▶ Make sure that the identical amount of hydraulic oil is in the hydraulic oil tank of the hydraulic aggregate after application than before.

1.2 Pin and unpin the pin with the pin pulling cylinder 2

1.2.1 Preparatory work

Make sure that the following prerequisites are met:

- The hydraulic aggregate **1** is not yet started.
- The lever **4** is in **0-position**.
- ▶ Connect the hydraulic hoses of the required pin pulling cylinder on the pin pulling aggregate **1**.
- ▶ Hang or pin the pin pulling cylinder in the retainer on the component.
- ▶ Connect the piston rod head **5** with the screw on the pin.

1.2.2 Pinning or unpinning pins



Note

- ▶ Operate the hydraulic aggregate, see Operating and maintenance instructions for the Hydraulic aggregate.

- ▶ Start the hydraulic aggregate **1**.
- ▶ Set the engine rpm on the hydraulic aggregate **1**.
- ▶ Operate the lever **4** on the pin pulling cylinder **2**.



Note

- ▶ **I-position**, insert the pin, see illustration **2** and illustration **3**.
- ▶ **II-position**, unpin the pin, see illustration **2** and illustration **3**.

- ▶ Pin or unpin the pin.

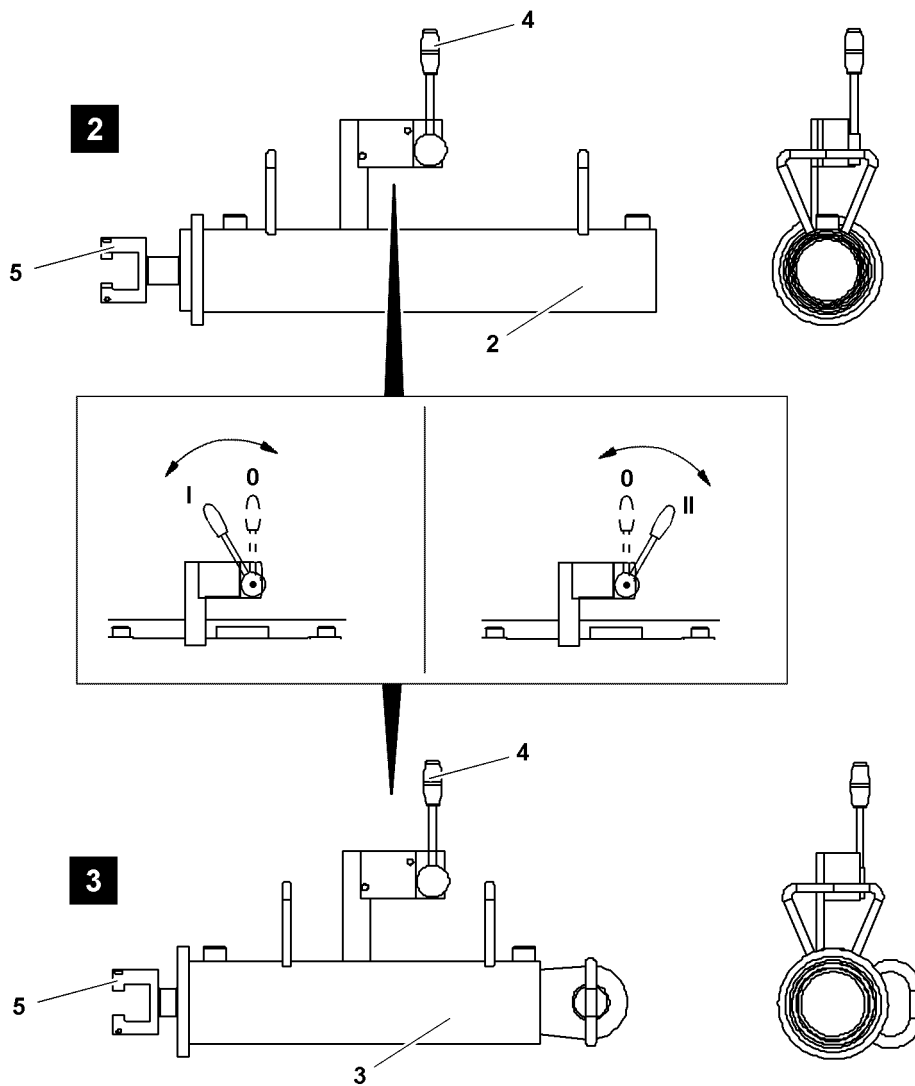
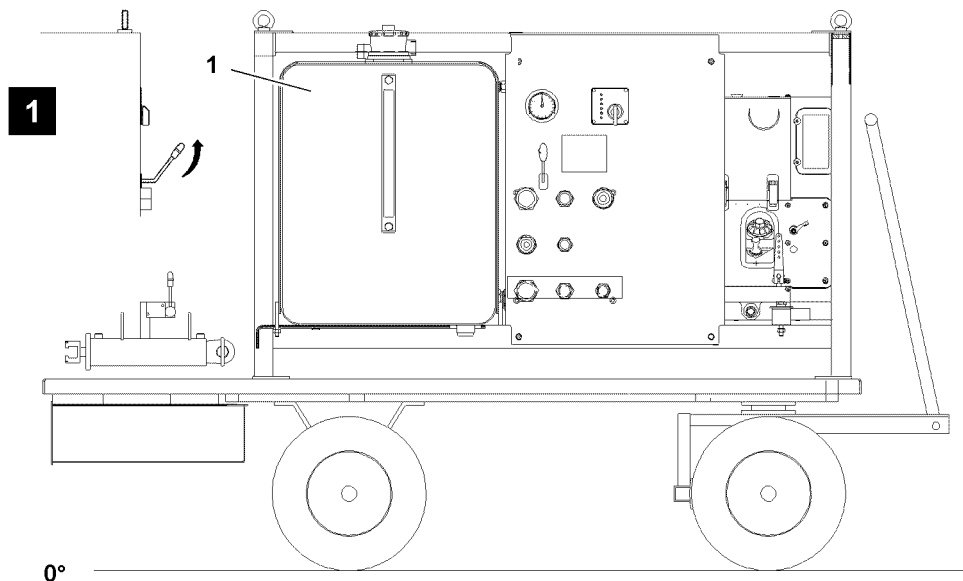


Fig.121949

LWE/LR 11350-005/19004-04-02/en

1.3 Pin and unpin the pin with the pin pulling cylinder 3

1.3.1 Preparatory work

Make sure that the following prerequisites are met:

- The hydraulic aggregate **1** is not yet started.
- The lever **4** is in **0-position**.
- ▶ Connect the hydraulic hoses of the required pin pulling cylinder on the pin pulling aggregate **1**.
- ▶ Hang or pin the pin pulling cylinder in the retainer on the component.
- ▶ Connect the piston rod head **5** with the screw on the pin.

1.3.2 Pinning or unpinning pins



Note

- ▶ The pin pulling cylinder **3** is actuated for safety reasons on the hydraulic aggregate **1**!
- ▶ Before pinning and unpinning the lattice sections, engage the lever **4** in **I-position** or **II-position**.
- ▶ Engage the lever **4** on the pin pulling cylinder **3** in **I-position** or **II-position**, see illustration **3**.



Note

- ▶ **I-position**, insert the pin, see illustration **2** and illustration **3**.
- ▶ **II-position**, unpin the pin, see illustration **2** and illustration **3**.



Note

- ▶ Operate the hydraulic aggregate, see Operating and maintenance instructions for the Hydraulic aggregate.
- ▶ Start the hydraulic aggregate **1**.
- ▶ Set the engine rpm on the hydraulic aggregate **1**.
- ▶ Operate the change over lever on the hydraulic aggregate **1**.

Result:

- The piston rod of the pin pulling cylinder **3** moves in or out.

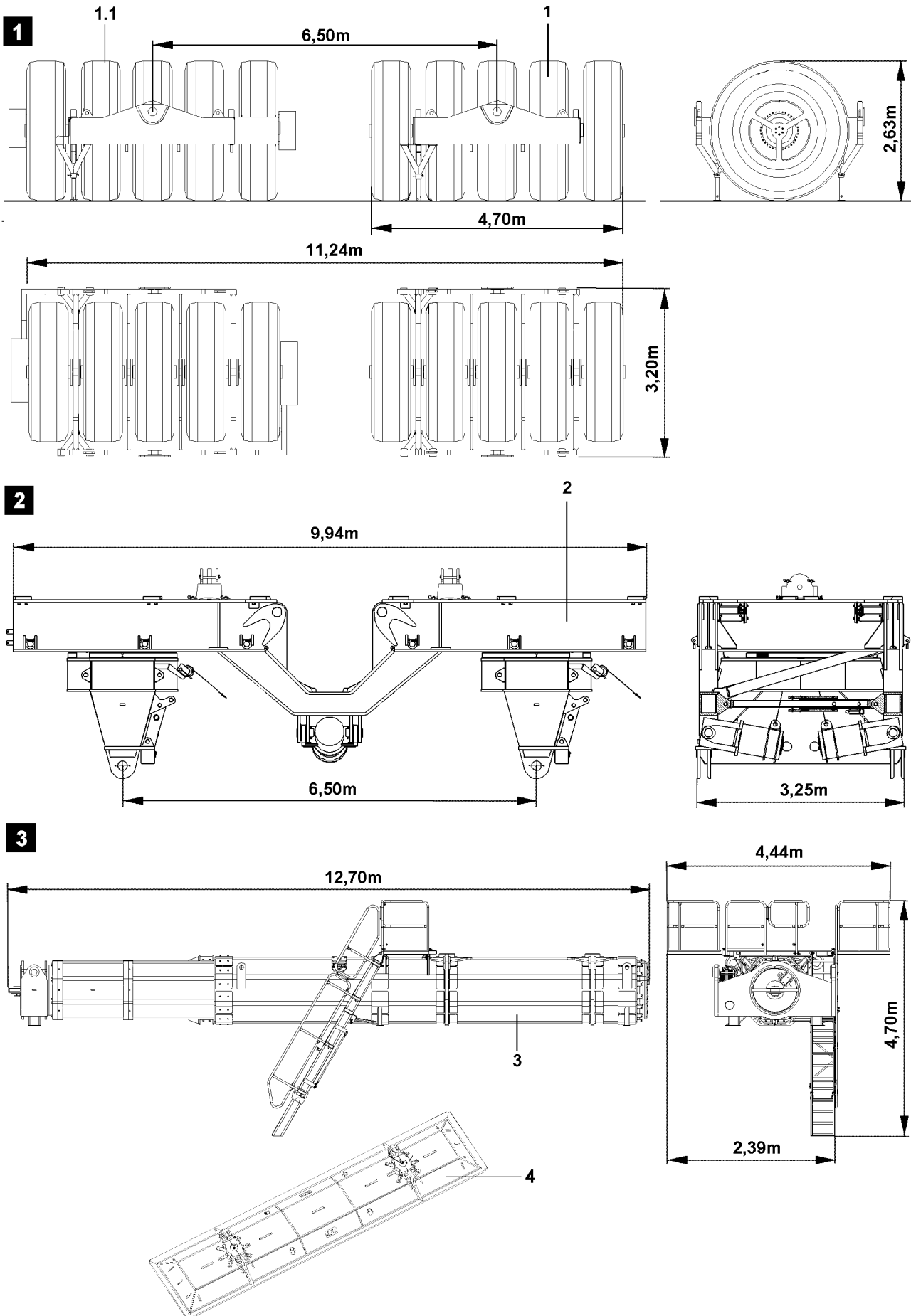


Fig.106366

LWE/LR 11350-005/19004-04-02/en

1 General

The ballast trailer consists of:

- 2 wheel sets, oscillating mounted
- Ballast frame
- Guide tube
- Support plate

Hydraulic, telescopic guide for ballast trailer radii from R 15 m - R 25 m and R 20 m -R 30 m

The pull cylinders for the ballast trailer are assembled on the derrick end section and can be actuated under load.

Hydraulic, mechanical steering, electronically adjustable for:

- Towing
- Circular driving
- Parallel driving
- Corrective steering

1.1 Components, weights



Note

► See illustration 1, illustration 2, illustration 3 and Crane operating instructions, chapter 1.02.

Position	Components	Weight
1	Wheel set without drive	34.0 t
1.1	Wheel set with drive	37.0 t
2	Ballast frame	35.0 t
3	Guide	41.0 t
4	Support plate	2.7 t

1.2 Dimensions



Note

► See illustration 1, illustration 2, illustration 3 and Crane operating instructions, chapter 1.02.

4

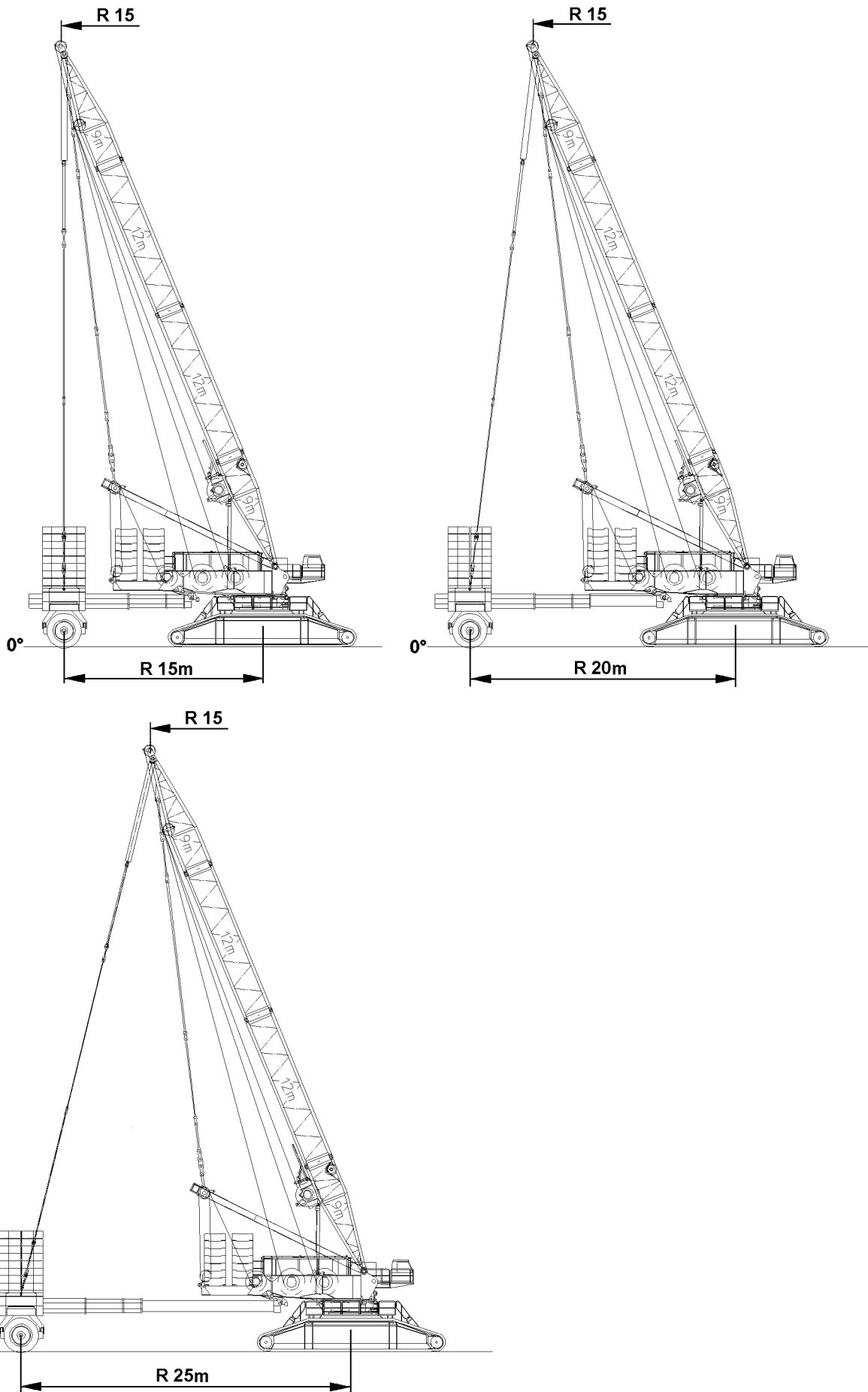


Fig.103645

LWE/LR 11350-005/19004-04-02/en

1.3 Radii

See illustration 4

Derrick = R 15 m

Ballast trailer = R 15 m

Ballast trailer = R 20 m

Ballast trailer = R 25 m

**Note**

► At a derrick radius of R 15 m , the ballast trailer can be telescoped out to maximum R 25 m !

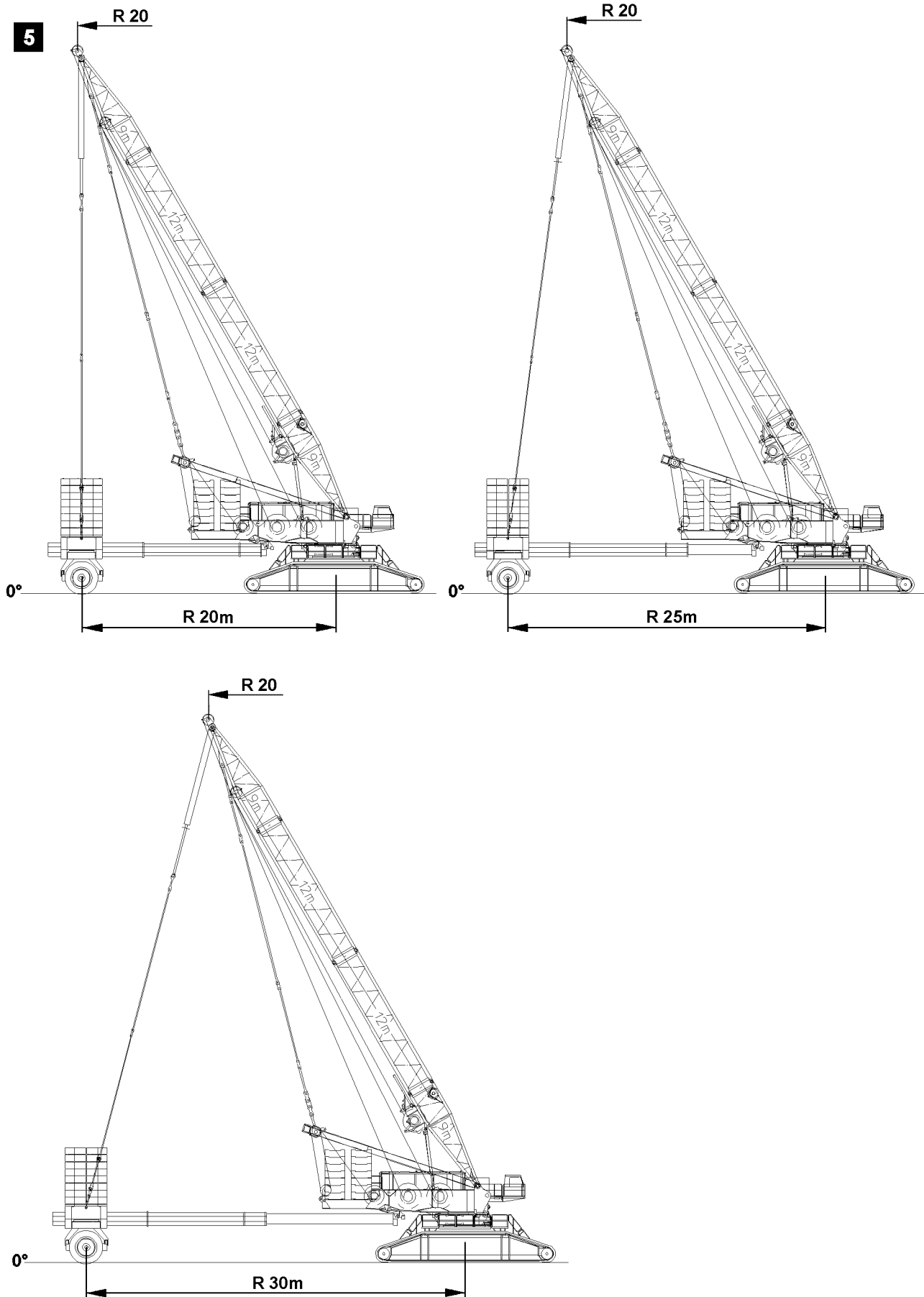


Fig.103646

LWE/LR 11350-005/19004-04-02/en

1.4 Radii

See illustration 5

Derrick = R 20 m

Ballast trailer = R 20 m

Ballast trailer = R 25 m

Ballast trailer = R 30 m



Note

- ▶ At a derrick radius of R 20 m , the ballast trailer can be telescoped out to maximum R 30 m !
 - ▶ R 30 m can only be obtained by changing the pins of the guide!
-

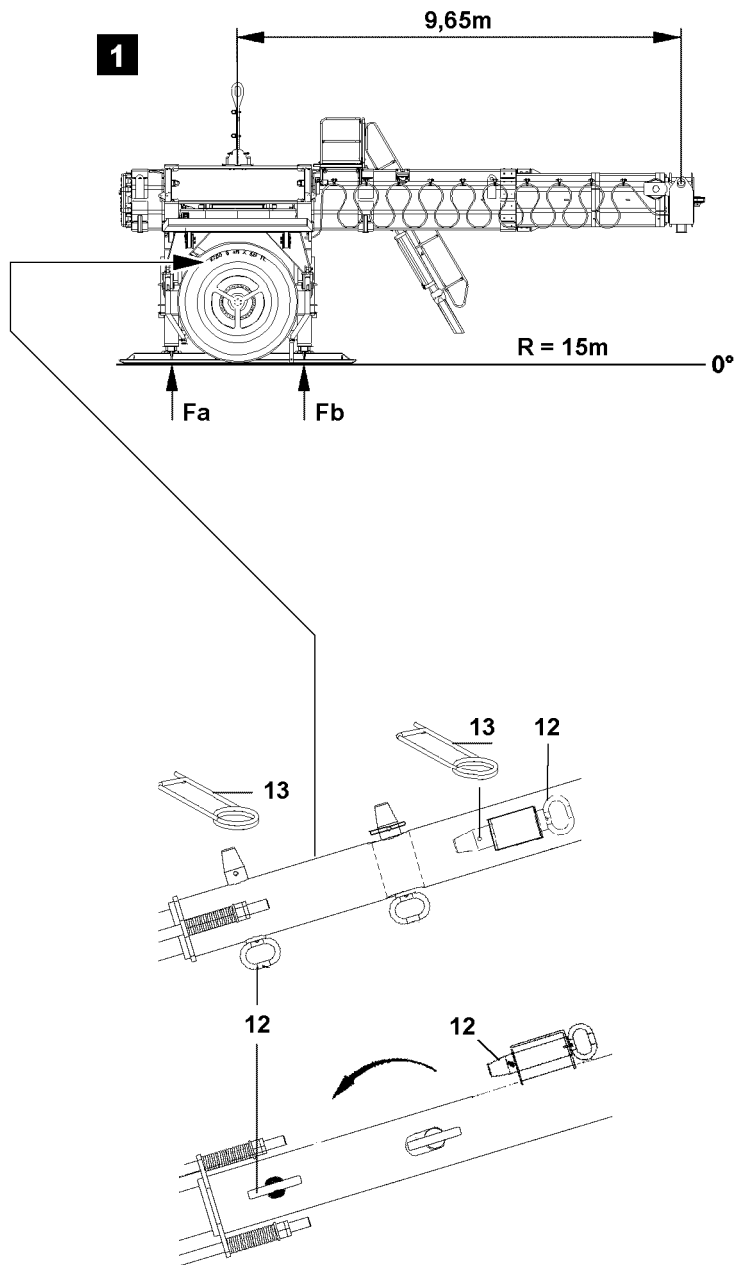


Fig.112898

1.5 Stability and tipping safety for ballast trailer not assembled on the turntable

Make sure that the following prerequisites are met:

- The ballast trailer guide is hydraulically fully retracted.
- The ballast trailer is supported and aligned in horizontal direction.



WARNING

Danger of tipping the ballast trailer!

If the ballast trailer is not installed on the turntable and the ballast trailer guide is not fully moved in, then the ballast trailer can tip over!

Personnel can be severely injured or killed!

- ▶ Before removal of the ballast trailer on the turntable, the locking pin **12** must be pinned on the strut of the ballast trailer and secured with the spring retainer **13**!
- ▶ The ballast trailer guide must be fully moved in before removal of the ballast trailer on the turntable!
- ▶ The support cylinders are moved out to the point where the tires are relieved!
- ▶ Make sure that the safety technical notes for crane operation with ballast trailer are observed and adhered to, see Crane operating instructions, chapter 2.15!

Illustration	Ballast trailer radius	Ballast	Maximum support pressure F_a	Maximum support pressure F_b
1	R = 15.0 m	0 t	24.5 t	122.5 t

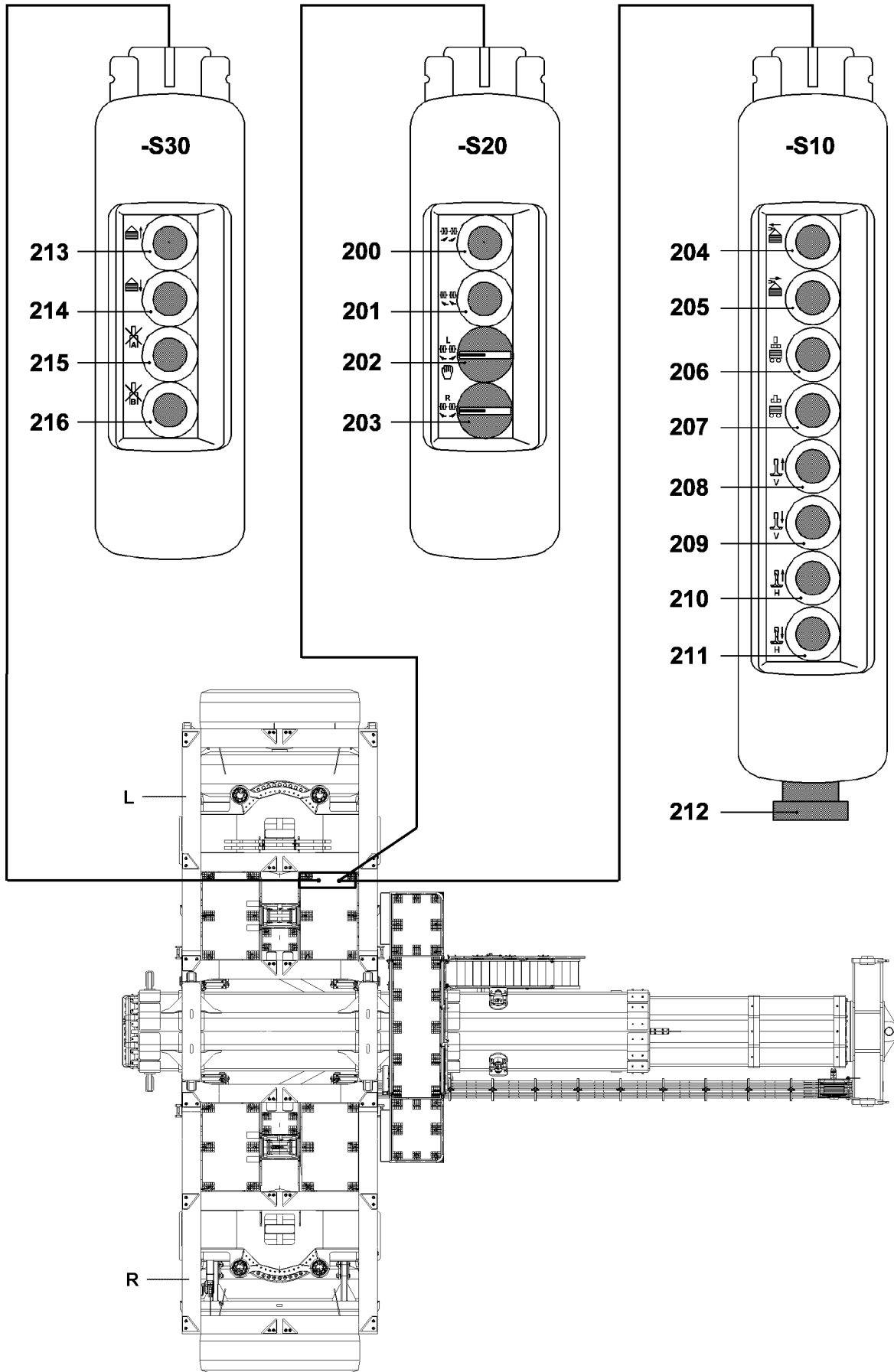


Fig.103461

LWE/LR 11350-005/19004-04-02/en

1.6 Control elements on the control panels

Control panel - S20

200	Button	• Corrective steering, turn wheel sets to left
201	Button	• Corrective steering, turn wheel sets to right
202	Rotary switch	• Turn the wheel set left side L to the right or left, manual operation for assembly or emergency operation
203	Rotary switch	• Turn the wheel set right side R to the right or left, manual operation for assembly or emergency operation

Control panel - S10

204	Button	• Ballast trailer, move the guide cylinder in
205	Button	• Ballast trailer, move the guide cylinder out
206	Button	• Ballast trailer on turntable - unpin
207	Button	• Ballast trailer on turntable - pin
208	Button	• Move the front support cylinder in
209	Button	• Move the front support cylinder out
210	Button	• Move the rear support cylinder in
211	Button	• Move the rear support cylinder out
212	Switch	• EMERGENCY OFF

Control panel - S30

213	Button	• Derrick ballast UP - retract both cylinders
214	Button	• Derrick ballast DOWN - extend both cylinders
215	Button	• Block cylinder A , cylinder A in left driving direction
216	Button	• Block cylinder B , cylinder B in right driving direction

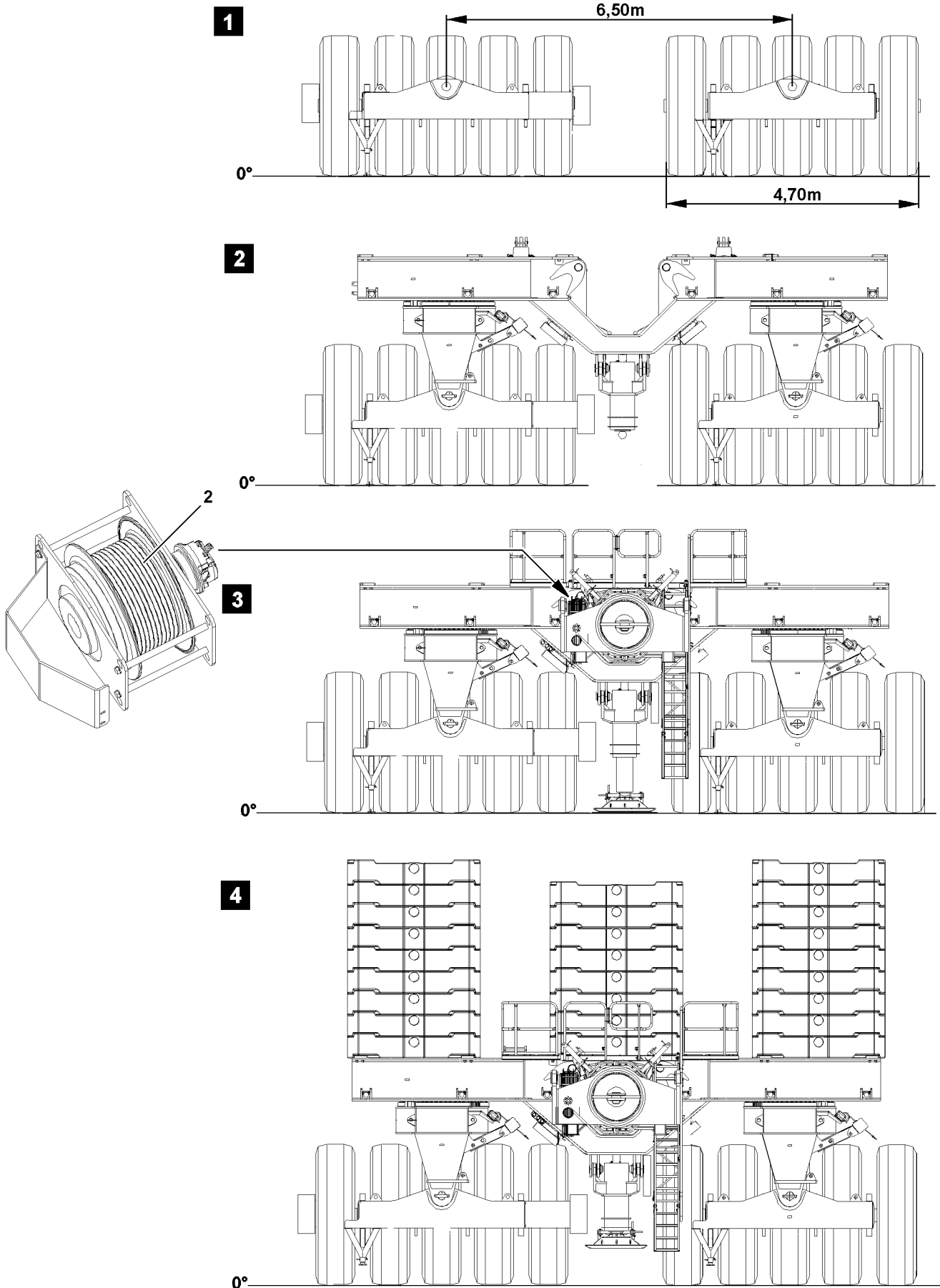


Fig.114078

LWE/LR 11350-005/19004-04-02/en

2 Assembly



WARNING

Danger of falling!

During assembly and disassembly, assembly personnel must be secured with appropriate aids to prevent them from falling. If this is not observed, assembly personnel can fall and suffer life-threatening or fatal injuries!

- ▶ Any work, where there is a danger of falling must be carried out with suitable aids (for example: lifting platforms, scaffoldings, ladders, auxiliary crane)!
- ▶ If the work cannot be carried out with such aids nor from the ground, then the assembly personnel must secure themselves with approved catch systems to avoid falling, see Crane operating instructions chapter 2.04!
- ▶ If railings are present on the components, then they must be brought into the corresponding position and secured for assembly / disassembly work!
- ▶ Step on aids and fall protection equipment only with clean shoes!
- ▶ Keep aids and fall protection equipment clean and free from snow and ice!
- ▶ During all assembly and disassembly work, maintenance work and inspections, travel or crane operation is prohibited!



WARNING

Danger of tipping the ballast trailer!

Due to improperly carried out assembly or improper assembly conditions, the ballast trailer can tip over!

Personnel can be severely injured or killed!

- ▶ The assembly of the ballast trailer may only be carried out by authorized personnel!
- ▶ Carry out the assembly of the ballast trailer only on level ground of sufficient load bearing capacity!
- ▶ The ballast trailer has **no** brake system! The ballast trailer must be supported with the support cylinders if it is **not** pinned on the turntable!

Make sure that the following prerequisites are met:

- The placement location must be level and have adequate load bearing capacity.
- An auxiliary crane is available.

2.1 Short description of assembly procedure



Note

- ▶ The short description of the assembly procedure is only intended as an overview!
- ▶ In addition, the complete assembly description must be read and understood!

Illustration 1

- Set the wheels sets with an auxiliary crane at a distance of 6.5 m next to each other and support with the support legs.

Illustration 2

- Pin the ballast frame with the wheel sets.

Illustration 3

- Pin the guide on the ballast frame.

Illustration 4

- Pin the ballast trailer to the turntable and place on the ballast plates.
- If necessary, adjust winch „hose guide-BW“ **2**¹⁾

1) Winch „Hose guide ballast trailer“

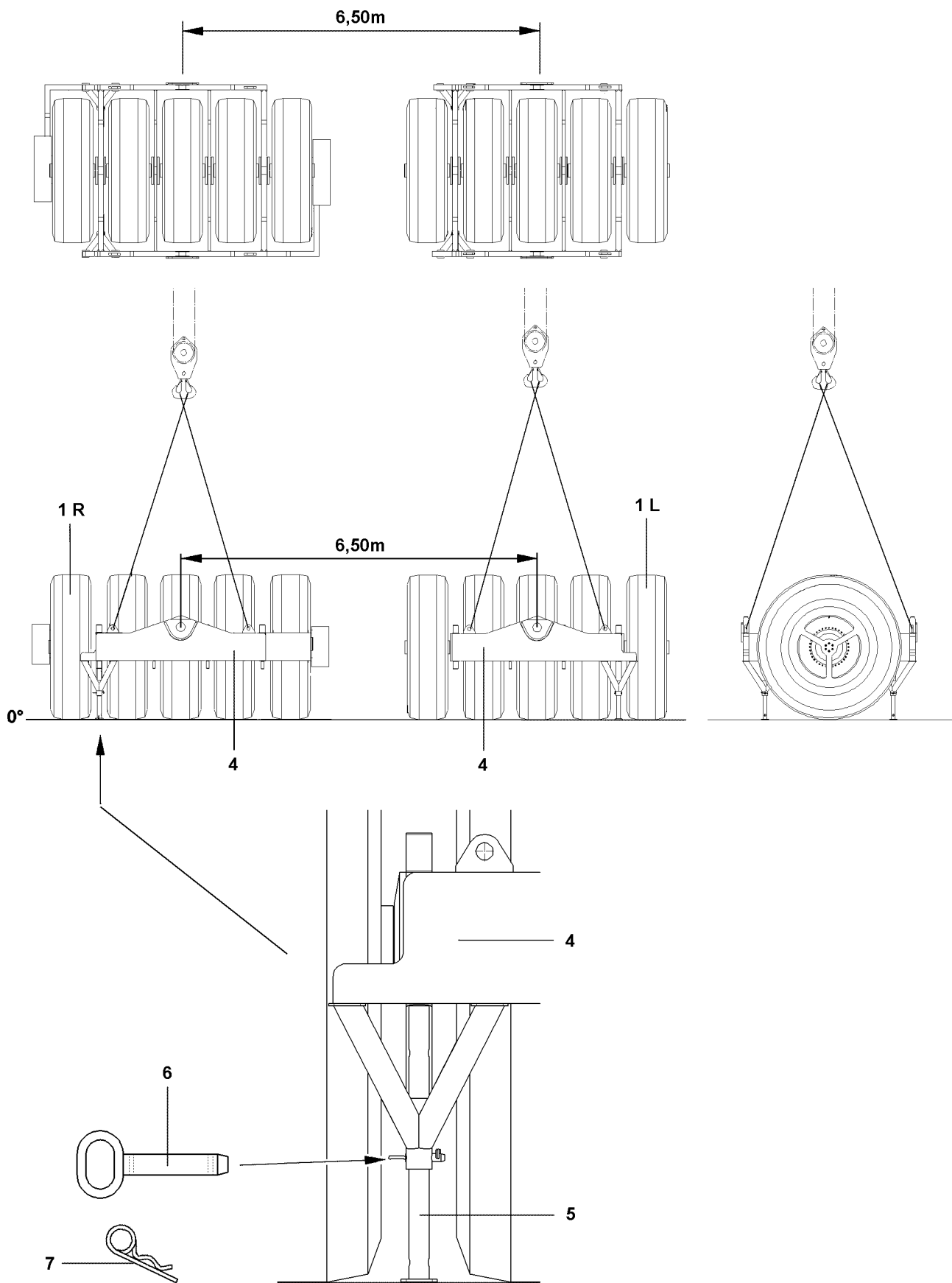


Fig.106368

LWE/LR 11350-005/19004-04-02/en

2.2 Erecting the wheel sets

**Note**

- ▶ The wheel sets are not equipped with their own brake system!

**DANGER**

Risk of accident due to tipping the wheel sets!

There is a tip hazard if the wheel sets are not resting on the mechanical support legs!

- ▶ Support the wheel sets on the support legs!

Make sure that the following prerequisites are met:

- The wheel set hangs on the auxiliary crane.
- The placement location must be level and have adequate load bearing capacity.
- The wheel sets are set as close as possible to the crane.

2.2.1 Assembling the support legs

- ▶ Unpin the inserted support legs **5** on the first wheel set **1R**.
- ▶ Release the cotter pin **7** and unpin the pin.
- ▶ Pull out the support legs **5** and re-pin.
- ▶ Insert the pin **6** and secure it with a cotter pin **7**.
- ▶ Set down the first wheel set on its support legs.
- ▶ Erect the second wheel set **1L** at a distance of 6.5 m in the direction of the axle.

**Note**

- ▶ In order to center the ballast frame, the wheel sets must be exactly 6.5 m apart with their axles aligned!

- ▶ Unpin the inserted support legs **5** on the second wheel set **1L**.
- ▶ Release the cotter pin **7** and unpin the pin.
- ▶ Pull out the support legs **5** and re-pin.
- ▶ Insert the pin **6** and secure it with a cotter pin **7**.
- ▶ Place the second wheel set on the support legs.

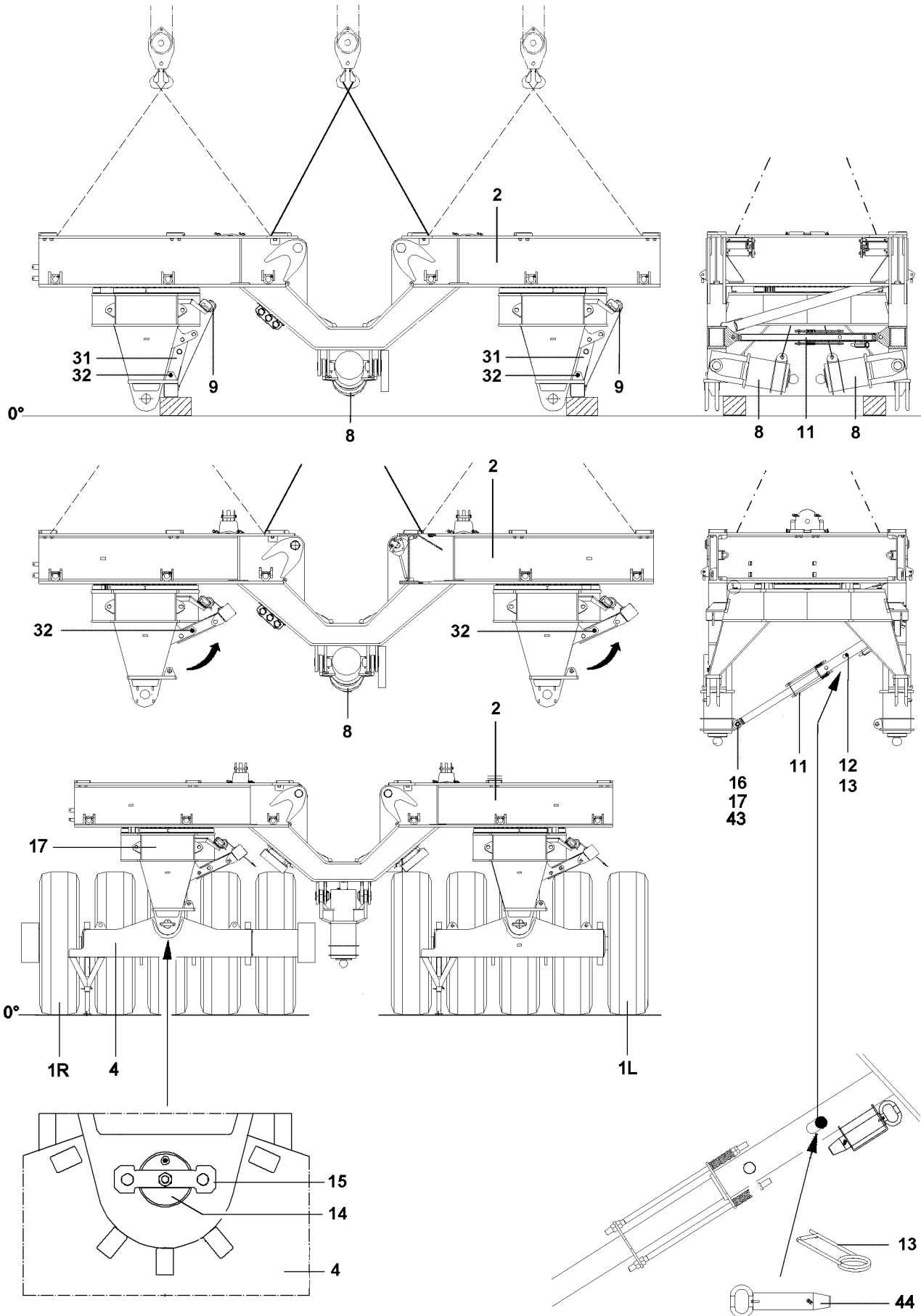


Fig.106369

LWE/LR 11350-005/19004-04-02/en

2.3 Assembling the ballast frame on the wheel sets

Make sure that the following prerequisites are met:

- The wheel sets are resting on the support legs.
 - The distance between the wheel sets is exactly 6.5 m.
 - The wheel set axles are aligned.
- ▶ Hang the ballast frame **2** from the auxiliary crane and lift.
 - ▶ Engage the rope winch on the transport support **31**.
 - ▶ Unpin the retaining pin **32** and pull up the transport support.
 - ▶ Pin and secure the retaining pin **32**.
 - ▶ Lower the ballast frame **2** and first center and pin it to the rocker **4** on the wheel set **1R**.
 - ▶ Insert the pin **14** and secure with the axle support **15**.
 - ▶ Lower the ballast frame **2** and first center and pin it to the rocker **4** on the wheel set **1L**.
 - ▶ Insert the pin **14** and secure with the axle support **15**.
 - ▶ Hang the gripper or the auxiliary crane on the support cylinder **8** and tension. Release the chain link and lower the support cylinder from the transport position.
 - ▶ Hang the gripper or the auxiliary crane on the strut **11** and tension. Unpin the brace from the transport position and pin to the bottom of the support cylinder. Insert and secure pin.
 - ▶ Insert the pin **16**, place the washer **43** and secure with spring retainer **17**.
 - ▶ Insert the pin **44** in the slot and secure with spring retainer **13**.

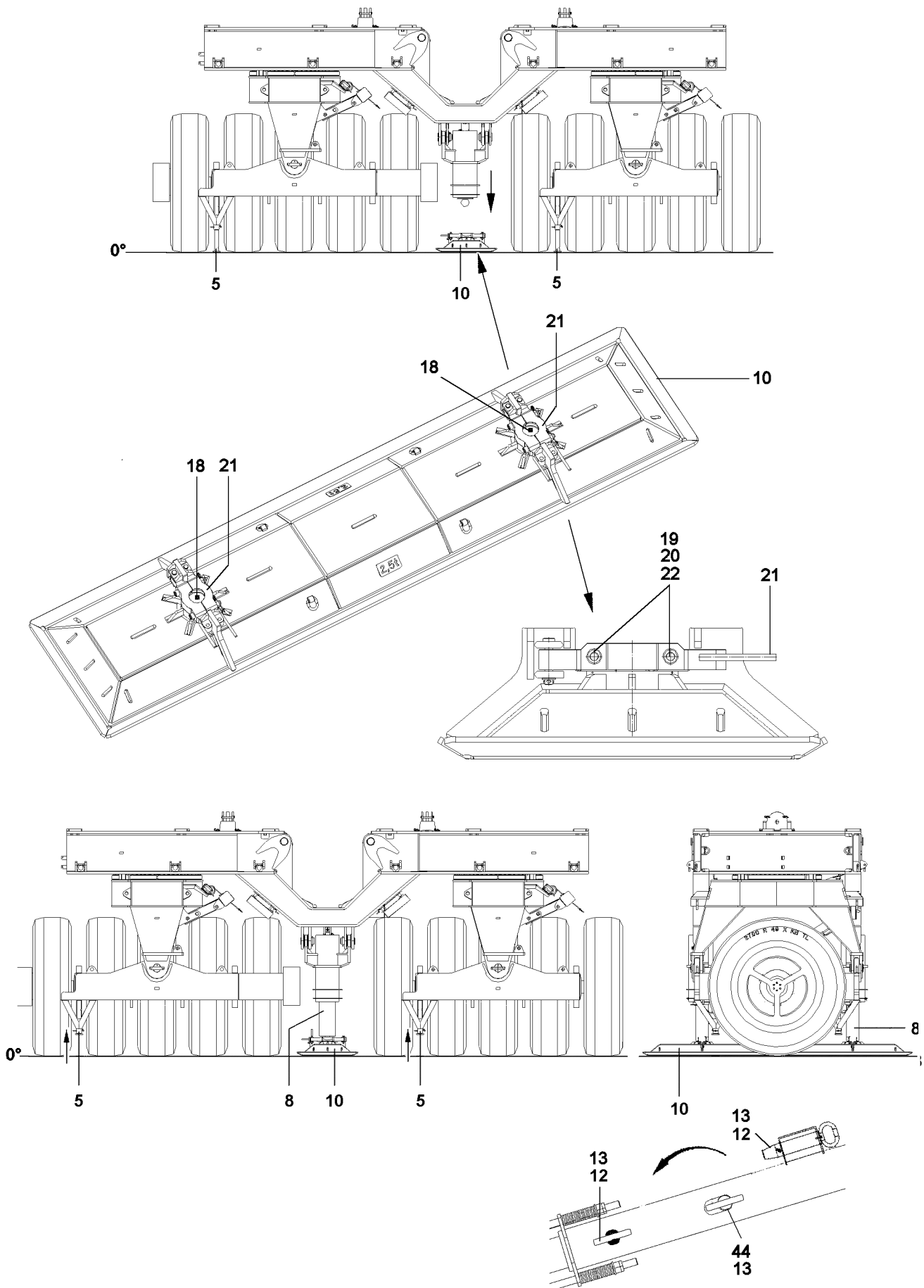


Fig.106365

LWE/LR 11350-005/19004-04-02/en

2.4 Support the ballast trailer with the support cylinder



WARNING

Danger of tipping over!

The wheel sets must be supported with the mechanical support legs **5**, there is a danger of tipping over!

- ▶ Support the wheel sets with the mechanical support legs **5**!

Make sure that the following prerequisites are met:

- The pin **44** is inserted in the slot.
- The support legs **5** are extended and secured.
- The wheel sets are secured with wedges.
- The guide is not yet assembled.

2.4.1 Establish the 24 volt power supply to the ballast trailer

- ▶ Insert the assembly plug A100 into the socket on the ballast frame.
- ▶ Connect the 15 m (WLFVS) cable on the assembly plug A100.
- ▶ Connect the cable 0.5 m (WLFVZ) on the 15 m cable.

On the 0.5 m cable is a KFZ (vehicle) plug.

- ▶ Connect the KFZ (vehicle) plug, the 24V supply, for example, on the crane, truck or other.

2.4.2 Installing the support plate

- ▶ Establish the hydraulic connections from the pin pulling device to the ballast trailer.
- ▶ Place the support plate **10** under the support cylinder **8**.
- ▶ Swing the retaining plates **21** out.
- ▶ Extend the piston rod of the support cylinder **8** with the pin pulling device and enter it into the receptacle **18**.



Note

- ▶ Set the high pressure on the pin pulling device and extend the support cylinder **8** on the control panel!
- ▶ Swing both retaining plates **21** in and insert two retaining screws **20**. Install the crown nuts **22** and secure with cotter pin **19**.
- ▶ Align the ballast trailer horizontally.
- ▶ Insert and secure the locking pin **12** in the locking bore.
- ▶ Unpin and push in all support legs **5**.

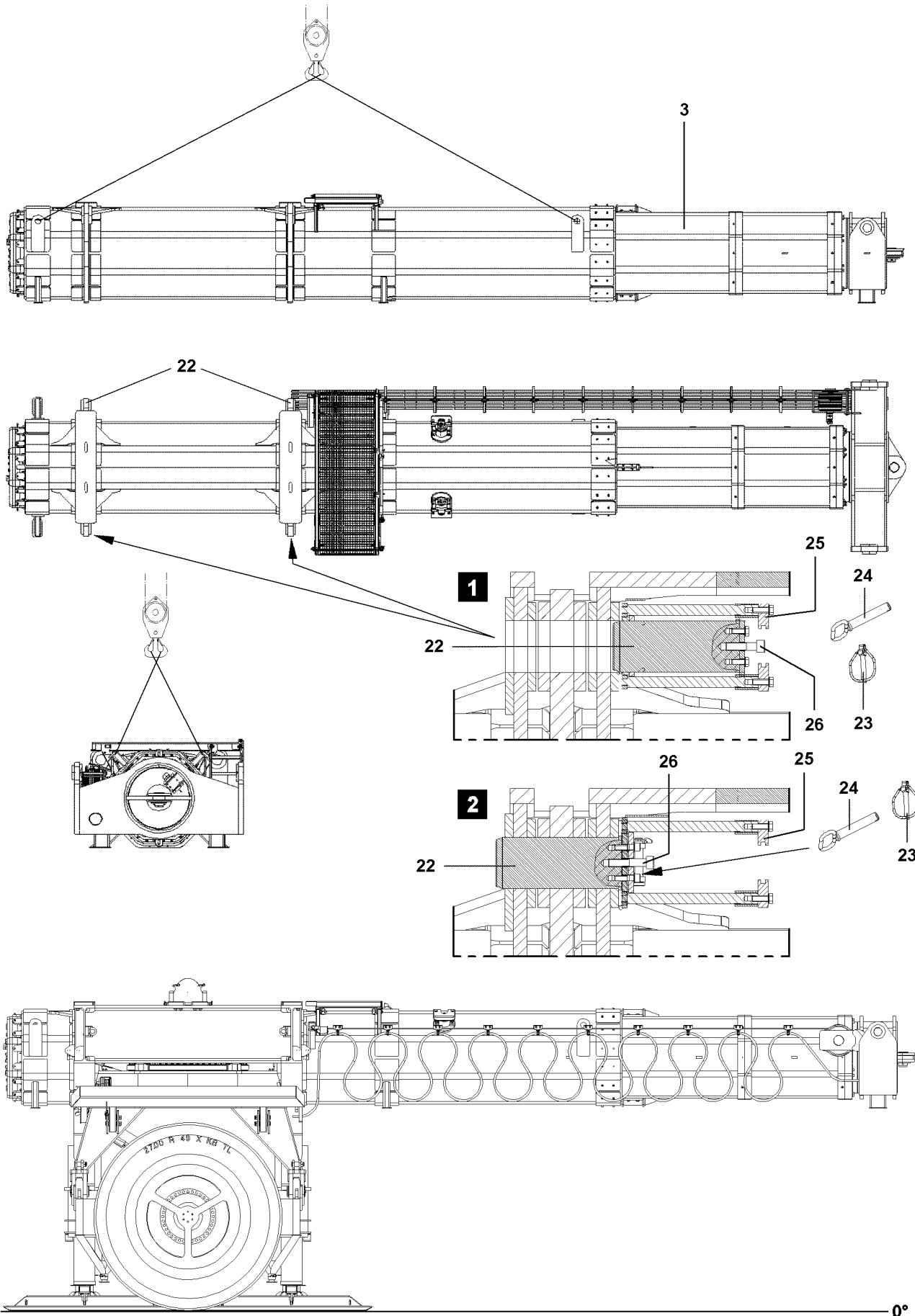


Fig.103782

LWE/LR 11350-005/19004-04-02/en

2.5 Installing the guide on the ballast frame



Note

- ▶ Park the ballast trailer for assembly of the ballast trailer guide on level ground with sufficient load bearing capacity in the vicinity of the crane!
- ▶ Observe the safety guidelines, see Crane operating instructions, chapter 2.15!

Make sure that the following prerequisites are met:

- The ballast trailer is supported with the support cylinders **8** and aligned in horizontal direction.
- The locking pin **12** is pinned in the strut **11**.



DANGER

Danger of tipping over!

If the safety guidelines for the stability and tipping safety are not observed and the strut **11** is not pinned with the locking pin **12**, there is a danger of tipping over!

- ▶ Observe section „Stability and tipping safety for ballast trailer not assembled on the turntable“!
- ▶ Make sure that the locking pin **12** is pinned in the strut **11**!

2.5.1 Assembling the guide

Make sure that the following prerequisites are met:

- The retaining pins **24** are unpinned, see illustration **1**.
- The pins **22** are unpinned, the pin bores are clear, see illustration **1**.
- ▶ Hang the guide **3** onto the auxiliary crane and swing it to the pin points on the ballast frame and affix.
- ▶ Hang the pin pulling cylinder on the retainer **25** and on the screw head **26**.
- ▶ Pin the guide **3** on all four pin points.
- ▶ Insert and secure pin **22**.
- ▶ Insert the retaining pin **24** and secure with the linch pin **23**, see illustration **2**.

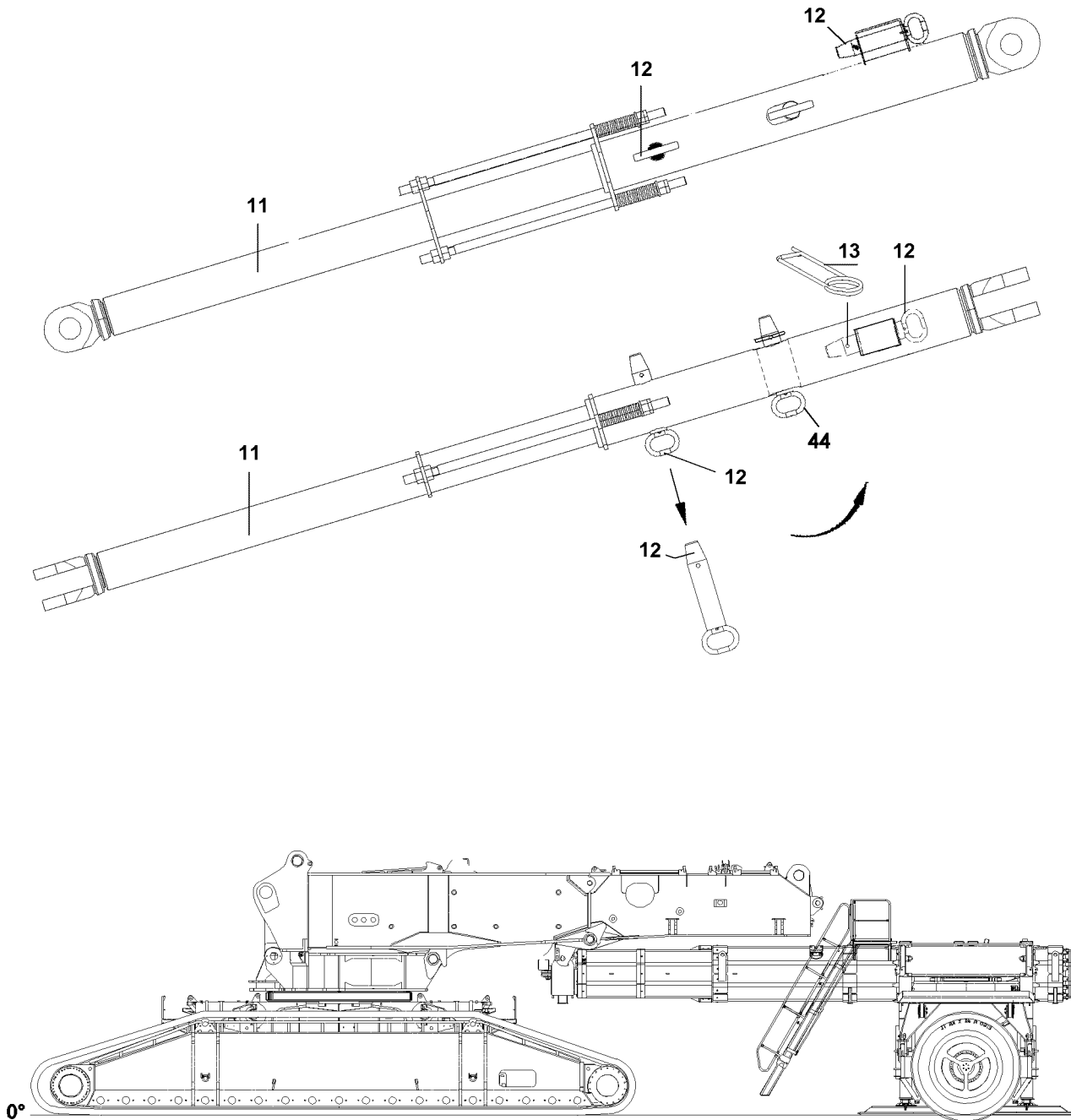


Fig.112899

LWE/LR 11350-005/19004-04-02/en

2.6 Pinning the guide on the turntable



Note

Adjust winch „hose guide-BW“ **2** ¹⁾!

If the ballast trailer is to be operated deviating from the initial commissioning - on another LR 11350 crane - then the winch „hose guide-BW“ **2** must be readjusted!

- ▶ To adjust the winch „hose guide-BW“ please contact Customer Service at **LIEBHERR-Werk Ehingen GmbH!**

1) Winch „Hose guide ballast trailer“



Note

The winch „hose guide-BW“ **2** must also be adjusted:

- ▶ After replacement of the winch turn sensor on the winch „hose guide-BW“
- ▶ After replacement of the power pack on the LICCON component group.

Make sure that the following prerequisites are met:

- Move the crane as close as possible to the ballast trailer guide.
- The engine is turned off.
- The ballast trailer is supported.
- The strut **11** is pinned with the locking pin **12**.

2.6.1 Establishing the electrical connection from the ballast trailer to the turntable



Note

- ▶ For assembly of the ballast trailer, the electrical connection from the ballast trailer to the turntable must be established to be able to control the support cylinders, if necessary!
- ▶ The „Ballast UP / DOWN“ release is available, independent if the ballast trailer is assembled, providing the conditions in the shut off diagram are fulfilled!
- ▶ The „Ballast UP“ release allows the entry of the pull and support cylinders!
- ▶ The release „Ballast DOWN“ allows the extension of the pull and support cylinders!
- ▶ This means, the support cylinders and the pull cylinders can be moved, even if the „Ballast trailer pinned“ signal is not yet present!



Note

- ▶ Establish the electrical connections, see Electric wiring diagram!
- ▶ Establish the electrical connections.

2.6.2 Establishing the hydraulic connection from the ballast trailer to the turntable

When connecting and releasing hydraulic lines with quick couplings, make sure that the coupling procedure is carried out correctly.



DANGER

Danger of accident due to loss of pressure or leakage!

Incorrectly coupled or self-loosening quick-release couplings (particularly return lines) can result in serious accidents due to component failure!

- ▶ Check that the quick couplings have been properly connected before using the crane!
- ▶ Release the pressure in the hydraulic system before connecting and disconnecting: Turn the engine off and wait for short time.
- ▶ Connect the coupling components (sleeve and connector) and screw together with the hand-tightened nut.
- ▶ Tighten the hydraulic coupling by hand: Rotate the hand-tightened nut until it reaches a tangible, fixed stop position.

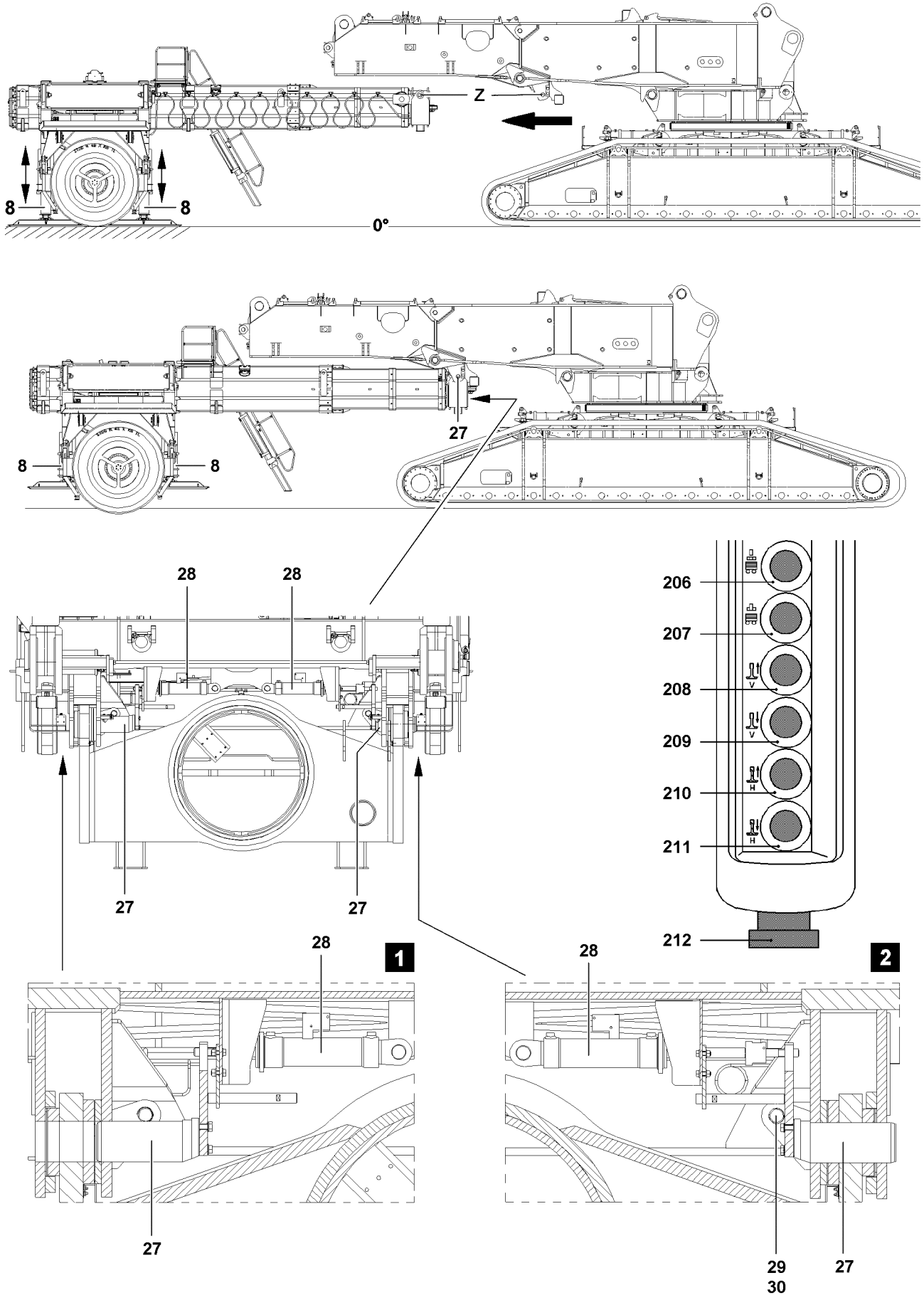


Fig.103783

LWE/LR 11350-005/19004-04-02/en

2.6.3 Aligning the ballast trailer

Make sure that the following prerequisites are met:

- The electrical and hydraulic connections have been established.
- The crane has been moved to the pin points on the guide of the ballast trailer.
- The hydraulic guide is telescoped out approx. 20 cm.
- The pin **44** is pinned in the slot of the strut.
- The locking pin **12** is unpinned on the strut.
- No ballast plates are placed.



Note

- ▶ Align the ballast trailer by raising or lowering the two support cylinders or by swinging the turntable or by telescoping the guide out / in until the pin bores match on both sides!
- ▶ The guide can be telescoped out / in with reduced pressure!

NOTICE

Danger of property damage due to incorrect operation!

If this is not observed, the crane or the ballast trailer can be damaged!

- ▶ The movements, swinging turntable, driving support cylinders and telescoping of the guide must be carried out with extreme caution!

- ▶ Insert the pins **27** on both sides.

2.6.4 Pin procedure

- ▶ Press the button **207** and insert the pins **27** on both sides with the cylinders **28**.
- ▶ Then, insert the retaining pin **29** and secure with spring retainer **30**.



Note

- ▶ The crane control recognizes via the limit switch initiators on the left and right on the pin points if the pins are fully inserted on the turntable!
- ▶ After pinning, it must be rechecked if both pins are properly pinned and secured and if the connector lines are correctly and completely connected!
- ▶ If the two pins are pinned completely and correctly, then the crane control receives the message „Ballast trailer pinned“, which means the turntable cannot be turned and the crawler cannot be driven!
- ▶ The release is issued only when the ballast trailer wheels are in the required position for circular, towing or parallel driving!



DANGER

Danger due to operating error!

As long as only one pin is pinned, the crane control does not receive the message „Ballast trailer pinned“, which means that the turntable can be turned and the crawler can be driven to be able to pin the second pin.

- ▶ All movements must be carried out with extreme caution!
- ▶ If this is not observed, the crane or the ballast trailer can be damaged!
- ▶ Make sure that both pins are inserted completely!

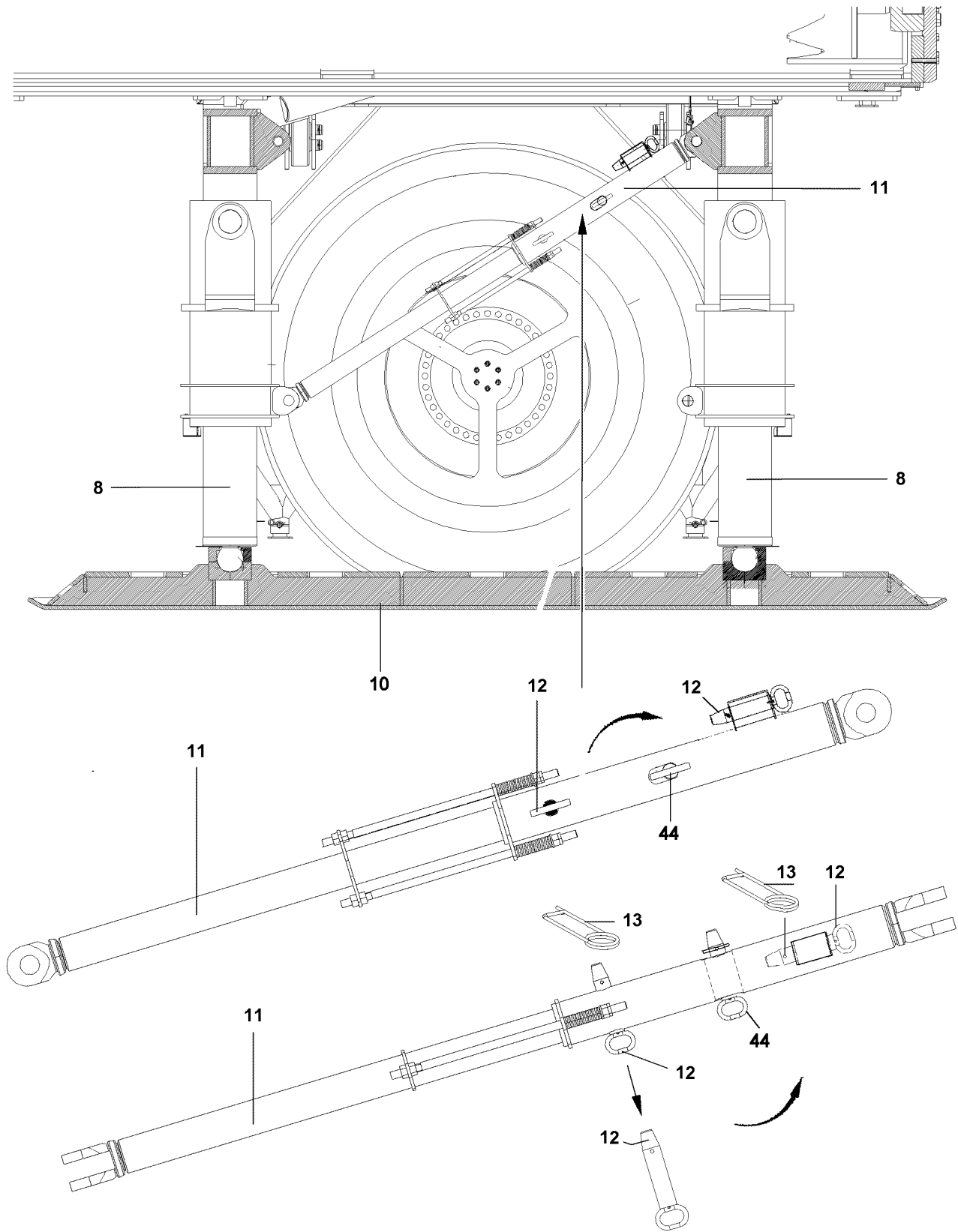


Fig.106913

2.7 Moving the support cylinders in

When the pin procedure between the ballast trailer and the turntable is completed, retract the support cylinders **8**.

Make sure that the following prerequisites are met:

- The ballast trailer is pinned and secured on the turntable on both sides.
- The electrical and hydraulic connections are connected.
- The pin **44** is inserted in the slot.
- The locking pin **12** is unpinned from the locking bore on the strut **11** and inserted into the transport retainer and secured with spring retainer **13**.



Note

- ▶ The locking pin **12** can only be unpinned if the support cylinders **8** are relieved!

NOTICE

Overload of support cylinders!

Both support cylinders, rear and front, must be retracted simultaneously and evenly!

- ▶ Retract both support cylinders simultaneously and evenly!



Note

- ▶ The support cylinders can also be retracted via the corresponding buttons on the instrument panel in the crane operator's cab!

Retract the support cylinder **8**:

- Press the buttons **208/210** simultaneously, the front and support cylinders retract.

NOTICE

Danger of property damage!

- ▶ Before placing the ballast plates on the ballast trailer assembled on the turntable, it must be ensured that the locking pin **12** is unpinned on the strut **11**!
- ▶ The locking pin **12** must be unpinned before supporting the assembled ballast trailer, for example when changing the wheel position!
- ▶ This is necessary to allow a level adjustment between the strut **11** and the support cylinders **8** with supported and ballasted ballast trailer!
- ▶ If this is not observed, the strut will be damaged!
- ▶ Move the support cylinders in completely. The warning light in the cab lights up.

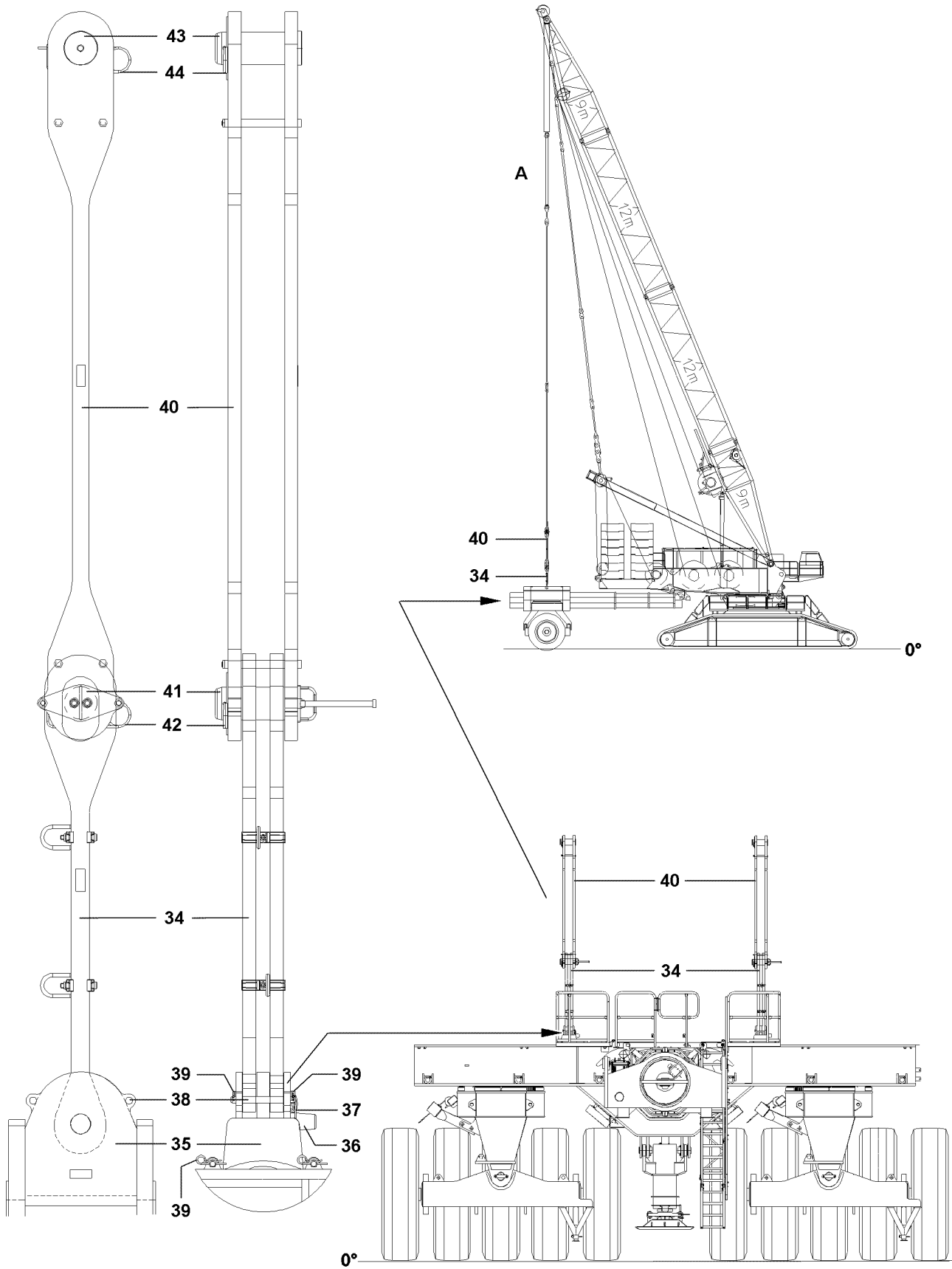


Fig.103786

LWE/LR 11350-005/19004-04-02/en

2.8 Assembling the ballast guy rods

Make sure that the following prerequisites are met:

- The derrick is set to 15 m radius.
- The ballast trailer radius is R 15 m.



Note

- ▶ The ballast trailer guy rods must be assembled and secured according to the separately supplied assembly drawings! The numbering on the assembly drawings must be identical to the numbering on the guy rods!

-
- ▶ Assemble the guy rods **34** on both sides of the ballast trailer.
 - ▶ Hang the guy rods **34** on the auxiliary crane and position vertically over the cross bracket **35**.
 - ▶ Pin the guy rod **34**.
 - ▶ Insert the pin **36** and secure with spring retainer **37**.
 - ▶ Lock the guy rod **34**.
 - ▶ Insert the retaining pins **38** on both sides and secure with cotter pins **39**.
 - ▶ Extend the cylinder piston rod **A** to position the derrick guy rod **40** above guy rod **34**.
 - ▶ Insert the pin **41** and secure with spring retainer **42**.

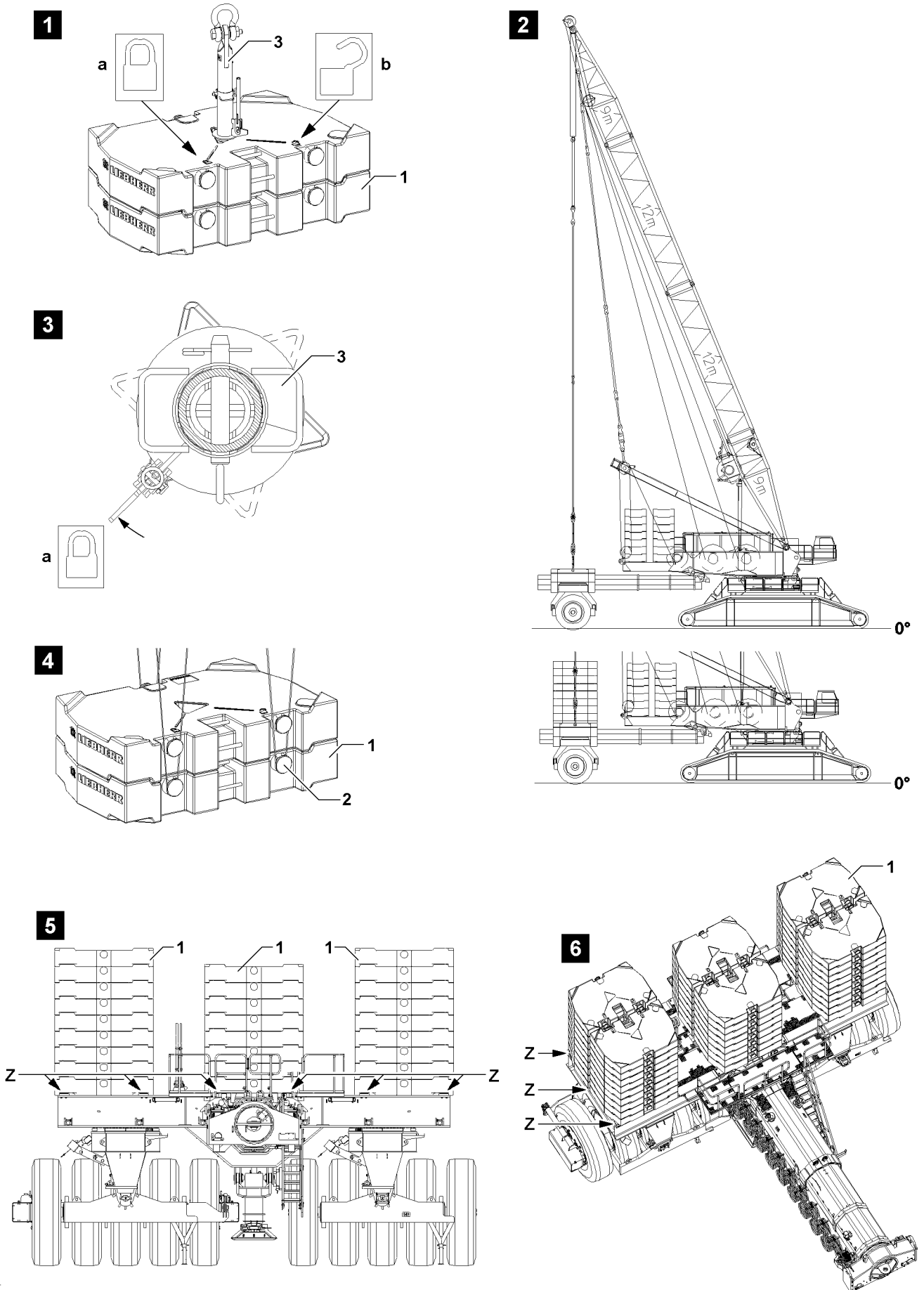


Fig.109592

LWE/LR 11350-005/19004-04-02/en

2.9 Ballasting

The ballast plates are marked with their own weights:

- A ballast plate **1** weighs 10 t.

Make sure that the following prerequisites are met:

- The ballast trailer is pinned and secured to the turntable on both sides, see illustration **2**.
- The derrick guy rods are pinned and secured on both sides.



DANGER

Danger of accident!

If more than the specified loads are lifted with the receptacle stud **3** or the rope over the studs **2**, then components will be overloaded!

Ballast plates **1** can fall down and fatally injure personnel!

- ▶ Lift no more than maximum 20 t with the receptacle stud **3**, see illustration **1**!
- ▶ Lift no more than maximum 20 t with the ropes, 3 fastening points, see illustration **4**!



Note

- ▶ Position **a**, folded out lever points to the closed icon = receptacle stud **3** closed!
- ▶ Position **b**, folded out lever points to the open icon = receptacle stud **3** open to move in / out!

Ensure that the following prerequisite is met for lifting with the receptacle stud **3**:

- The receptacle stud **3** must be in position **a**: „receptacle stud **3** closed“, see illustration **3**.
- ▶ Lift the ballast plates **1** individually or as an assembly, see illustration **1** and illustration **4**.
- ▶ Place the ballast plates **1** evenly distributed on the ballast trailer with the auxiliary crane and center them on the centering plates **Z** or an already placed ballast plate **1**, see illustration **5** and illustration **6**.

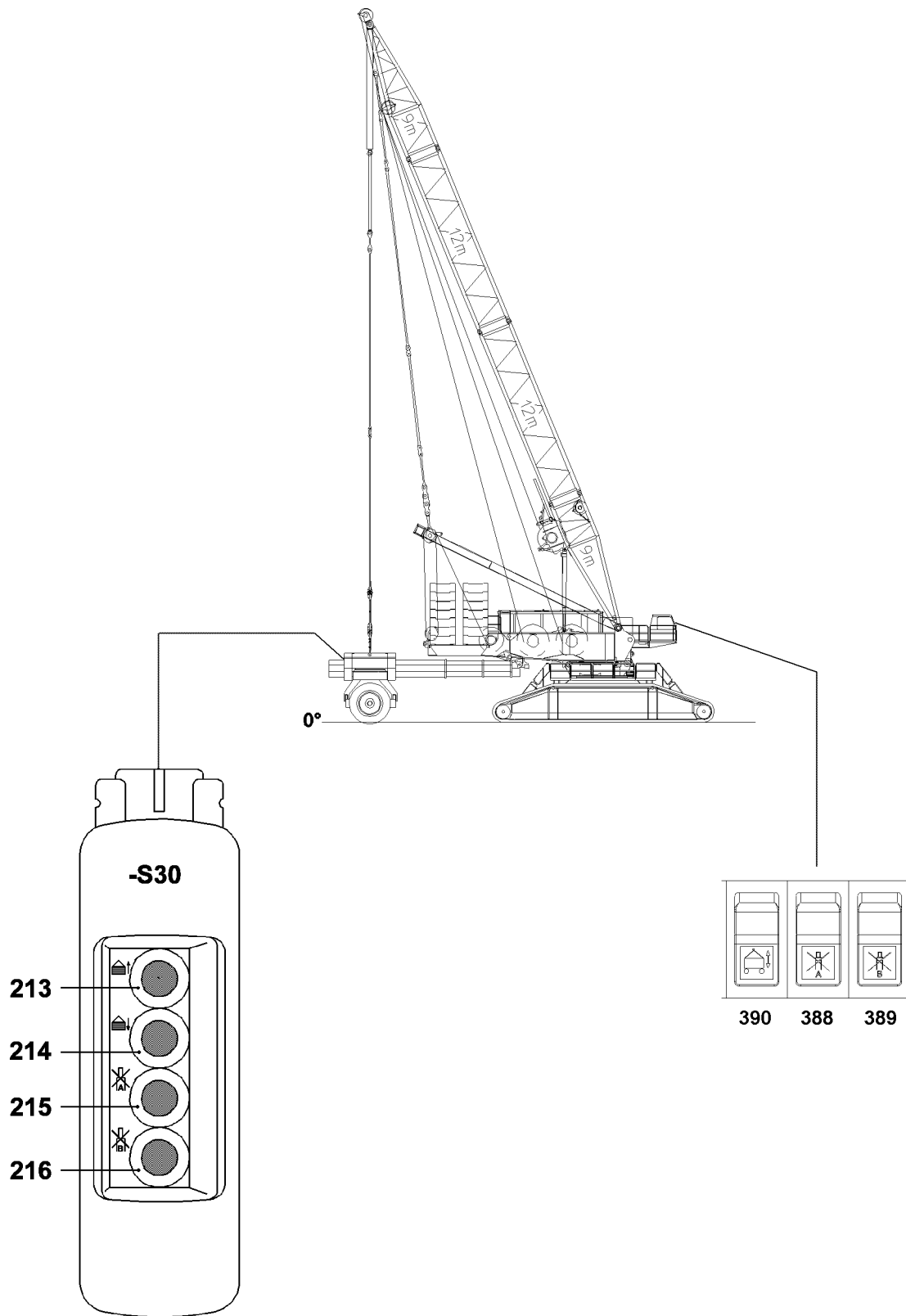


Fig.105088

LWE/LR 11350-005/19004-04-02/en

2.10 Lifting the derrick ballast off the ground



WARNING

The crane can topple over!

If the derrick ballast is lifted up by the **maximum permissible** 250 mm from the ground, the crane can be topple over to the rear of the load rips off!

If the following notes are not observed, personnel can be severely injured or killed!

- ▶ There may be no personnel, objects or obstacles within the entire slewing range of the crane, derrick ballast and the load!
- ▶ Do not lift derrick ballast more than 250 mm from the ground!
- ▶ The subsoil in the entire working area of the crane - including the derrick ballast and the load - must be even and of sufficient load carrying capacity, in order to be able to securely accept the encountered ground pressures and weight loads!



Note

- ▶ Lifting of the derrick ballast is to be observed by a guide!

Actuate the pull cylinders from the crane cab:

- Press button **390on front**, the derrick ballast is lifted using the pull cylinders.
- Press button **390on rear**, the derrick ballast is lowered using the pull cylinders.

Actuate the pull cylinders from the control panel (**S30**):

- Press button **213**, the derrick ballast is lifted using the pull cylinders.
- Press button **214**, the derrick ballast is lowered with pull cylinders.



DANGER

Danger of accident!

- ▶ The control panel may only be used for assembly!
- ▶ The crane operator should **not** use the control panel to raise or lower the derrick ballast when the crane is being operated. This is because the monitors cannot be seen there!
- ▶ Lifting and lowering during crane operation may **only** be carried out from the cab!
- ▶ When raising or lowering the derrick ballast, ensure there is no great difference in the forces exerted on the ballast guying!
- ▶ The LICCON shows both forces and will issue a warning if the difference of the forces is too large!
- ▶ See section „Differential force monitoring of ballast guying“!

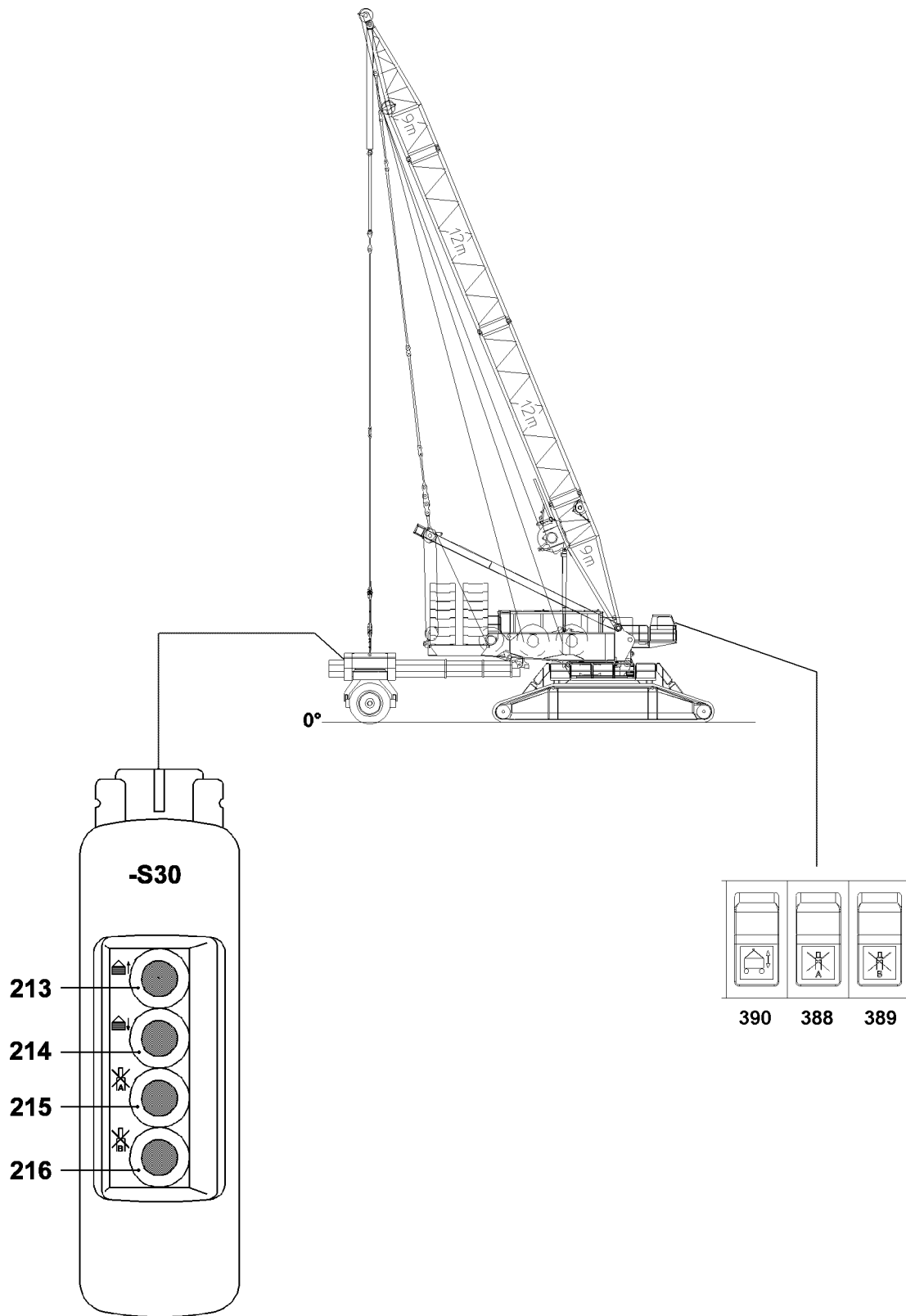


Fig.105088

LWE/LR 11350-005/19004-04-02/en

**DANGER**

Danger of accident!

- ▶ When lifting or lowering the derrick ballast, make sure that it is in a horizontal position!
- ▶ If the derrick ballast is only actuated via button **390**, button **213** and button **214** „derrick ballast UP / DOWN“, **without** simultaneously actuating button **388** or button **215** „block cylinder (A) on derrick ballast“ or button **389** or button **216** „block cylinder (B) on derrick ballast“, then the horizontal alignment of the derrick ballast is regulated with the aid of a level sensor!
- ▶ With a ballast utilization of more than 90 %, the level sensor regulates the derrick ballast level to $\pm 0.3^\circ$!
- ▶ With a ballast utilization of more than 90 %, the level sensor regulates the ballast trailer level to $\pm 2.5^\circ$. This makes it possible to set the ballast trailer down to a ground slope of 2.5° !
- ▶ By pressing the button **388** or button **215** „block cylinder (A) on derrick trailer“, or button **389** or button **216** „block cylinder (B) on derrick ballast“, the level sensor is bypassed and the ballast trailer can be set down intentionally on an incline. This is exclusively permitted for setting down the derrick ballast on uneven ground and only by observing utmost caution!
- ▶ If this is not observed, there is an increased danger of accidents!

- Press button **388** or button **215**, the left pull cylinder (A) is blocked.
- Press button **389** or button **216**, the right pull cylinder (B) is blocked.

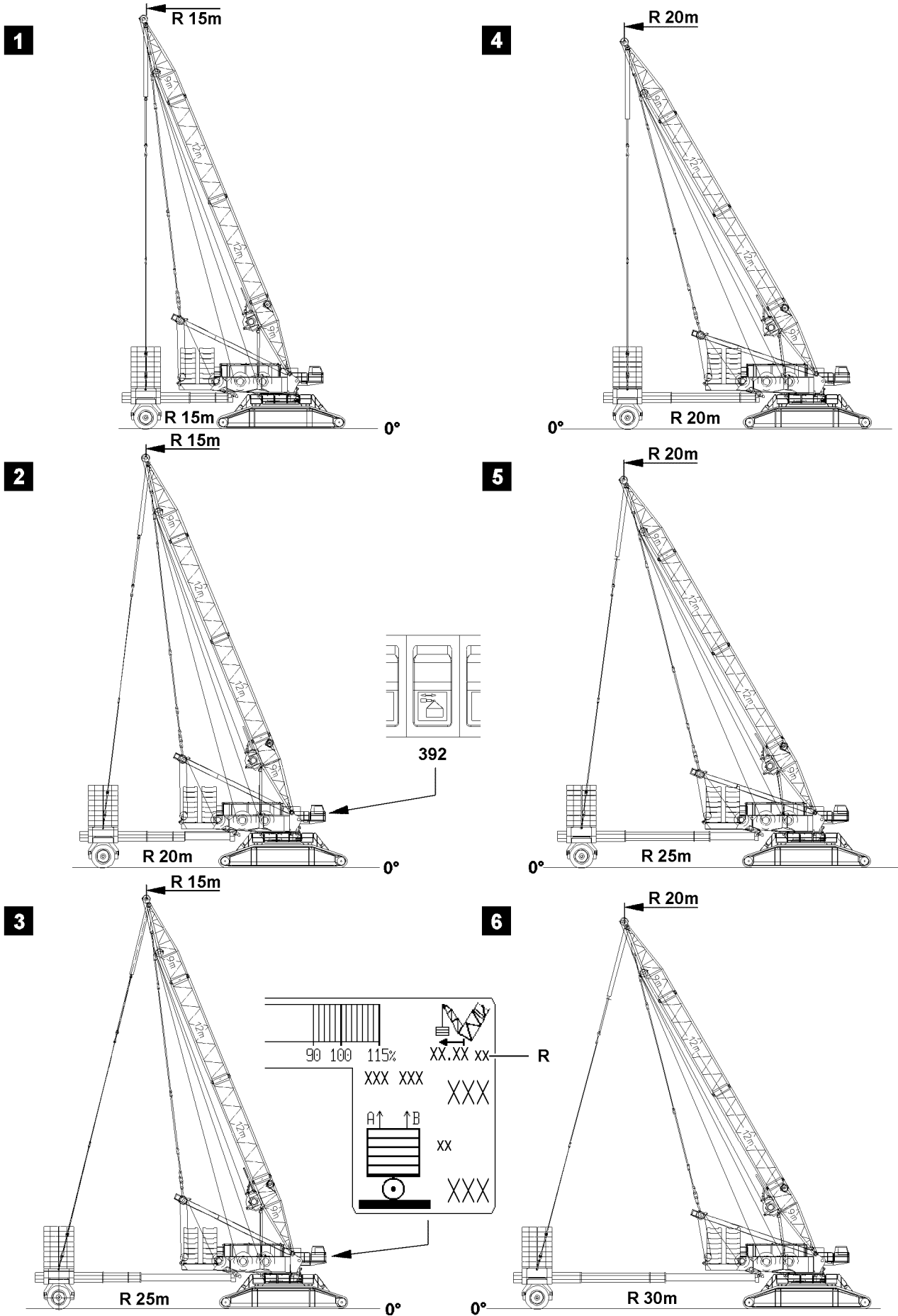


Fig.112900

LWE/LR 11350-005/19004-04-02/en

3 Setting the ballast trailer radii

The ballast trailer can be steplessly telescoped hydraulically from R 15 m to R 25 m and by unpinning the center pipe **2** on the guide **1** from R 20 m to R 30 m.

Make sure that the following prerequisites are met:

- The ballast trailer wheels are in tow position.
- **Illustration 1:** Derrick on R = 15 m , ballast trailer R = 15 m
- **Illustration 2:** Derrick on R = 15 m , ballast trailer R = 20 m
- **Illustration 3:** Derrick on R = 15 m , ballast trailer R = 25 m
- **Illustration 4:** Derrick on R = 20 m , ballast trailer R = 20 m
- **Illustration 5:** Derrick on R = 20 m , ballast trailer R = 25 m
- **Illustration 6:** Derrick on R = 20 m , ballast trailer R = 30 m

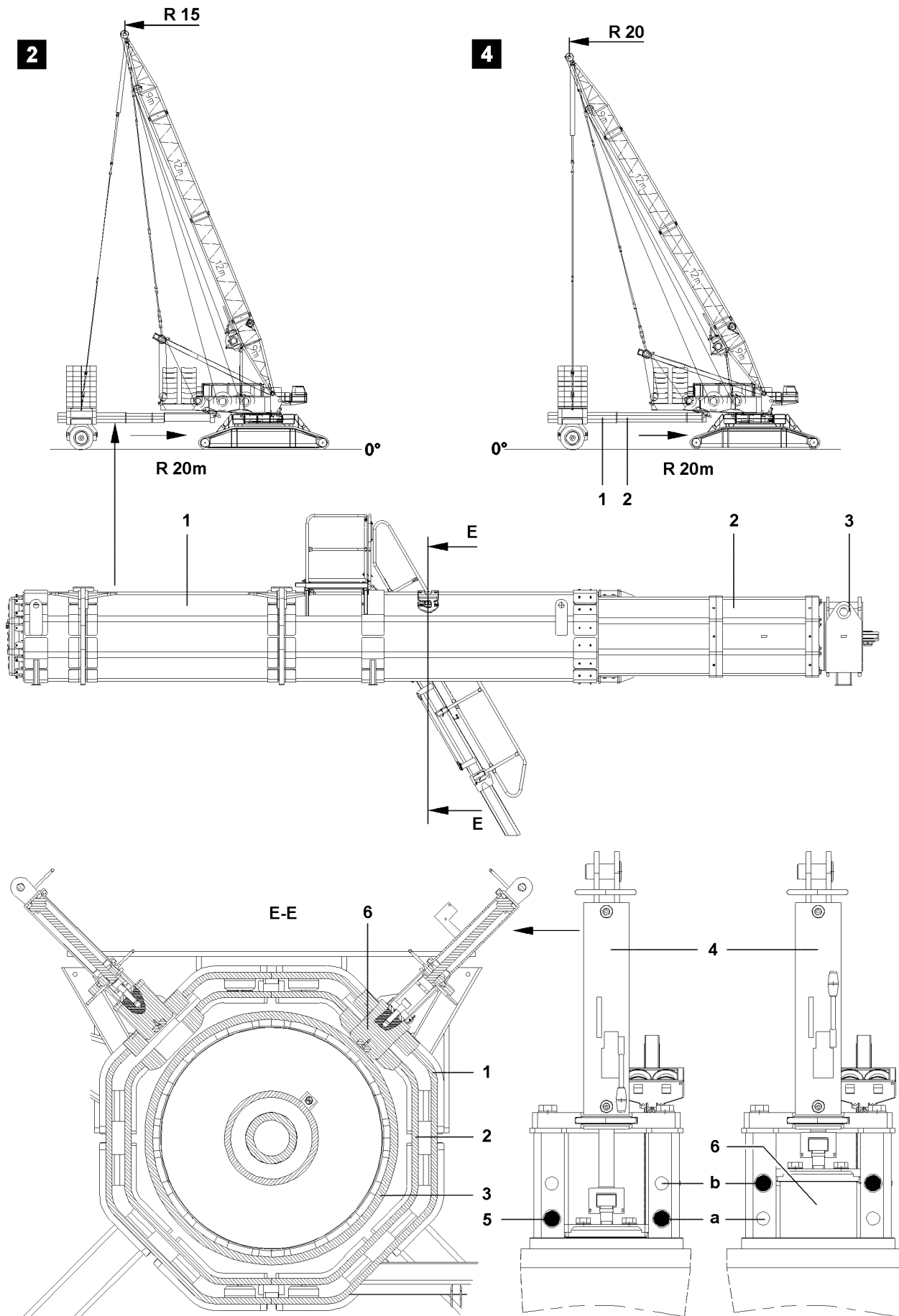


Fig.104092

LWE/LR 11350-005/19004-04-02/en

3.1 Unlocking and locking the center tube

Make sure that the following prerequisites are met:

- The ballast trailer radius is 20 m.
- The ballast trailer is supported.
- The locking pin is pinned on the strut in the locking bore.
- The gull rods between the derrick head and the ballast trailer are released.



Note

- ▶ The initial position is shown as in **illustration 2**, the ballast trailer radius is R 20 m !
- ▶ The pushed in center pipe **2** is locked to the guide **1**. The inner pipe **3** is telescoped out!
- ▶ To be able to telescope out to R 30 m , the center pipe **2** must be unlocked. Telescoping in the hydraulic cylinder will pull the center pipe forward!

3.1.1 Unlocking

- ▶ Hook in the pin pulling device **4**.
- ▶ Unlock the retaining pins **5** and unpin from the bores **a**.
- ▶ Actuate the manual lever and unpin the pin **6** completely.
- ▶ Pin and secure the retaining pins **5** in the bores **b**.

3.1.2 Locking

- ▶ Hook in the pin pulling device **4**.
- ▶ Unlock the retaining pins **5** and unpin from the bores **b**.
- ▶ Actuate the manual lever and unpin the pin **6** completely.
- ▶ Pin and secure the retaining pins **5** in the bores **a**.
- ▶ Unpin the locking pin on the strut.
- ▶ Retract the support completely.

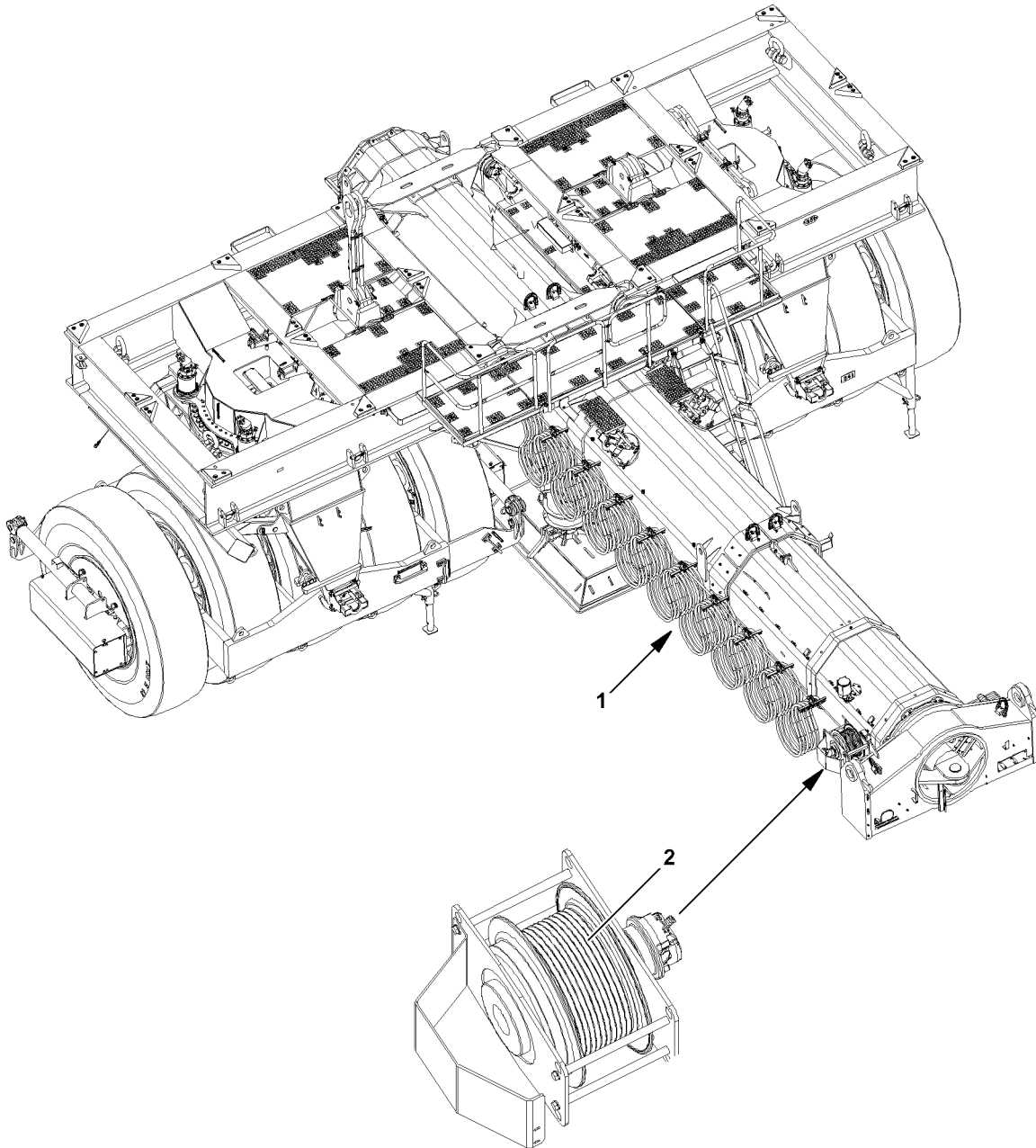


Fig.114077

3.2 Telescoping the ballast trailer guide out and in

NOTICE

Damage of hose guide 1!

After replacement of the winch turn sensor on winch 7 2 or after replacement of the memory card on the power pack of the LICCON component group, winch 7 2 must be readjusted!

If no adjustment of winch 7 is made, the hose guide can be damaged!

► Please contact the Service Dept. at **LIEBHERR-Werk Ehingen GmbH!**

NOTICE

Damage of hose guide 1 on ballast trailer!

In cold weather, especially in snow and ice, the „glides“ of the hose guide 1 can freeze stuck and rip off when telescoping the ballast trailer guide out or in!

► All „glides“ of the hose guide must be checked for movement before telescoping the ballast trailer guide out or in!



Note

- The release to telescope the ballast trailer guide out and in is given when the wheel sets are in towing operation!
- If the ballast trailer is supported for assembly on the turntable, then it is possible to telescope out and in with reduced pressure 40 bar !



Note

- When telescoping the ballast trailer guide out, monitor the displayed actual length **R** on the LICCON monitor!
- The crane operator may not blindly rely on the radius measurement, he must think for himself and check if the length sensor measuring functions correctly, see Crane operating instructions, chapter 4.02!



Note

- Pushing out with suspended, maximum derrick ballast and maximum load is only possible up to 25 m !
- Pushing the derrick ballast out under load, between 25 m and 30 m is only possible at reduced force in the derrick guying!
- If the maximum derrick ballast for radii of ballast trailer above 25 m is required, then this can only occur for fixed ballast trailer radii!

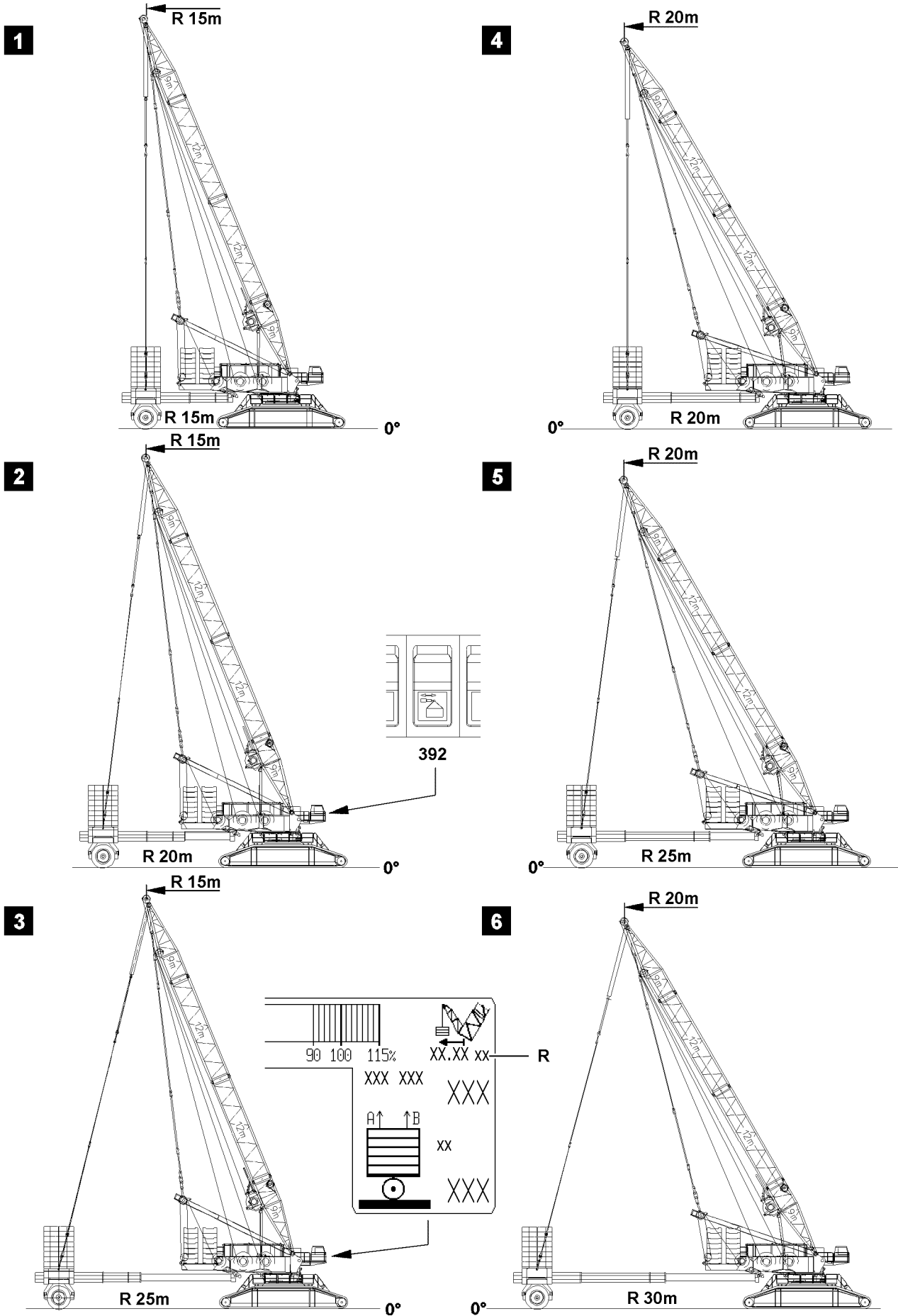


Fig.112900

LWE/LR 11350-005/19004-04-02/en

3.2.1 Telescoping from R 15 m to R 25 m , illustration 1-3

- ▶ Press the button **392** and telescope the ballast trailer out to the required radius R 20 m or R 25 m.
- ▶ Observe the F1min.-max. force display in the derrick guying.

3.2.2 Telescoping from R 20 m to R 30 m , illustration 4-6

Initial position is illustration 2, derrick on R 15 m and ballast trailer on R 20 m. The pushed in center pipe **2** is locked to the guide **1**. The inner pipe **3** is telescoped out.

- ▶ Move the derrick to R 20 m. The pushed in center pipe **2** is locked to the guide **1**. The inner pipe **3** is telescoped out.
- ▶ Release the guy rods between the derrick head and the ballast trailer.
- ▶ Support the ballast trailer.
- ▶ Unpin the center pipe **2** on the guide **1** with the pin pulling device **4**.
- ▶ Press the button **392** and pull the center pipe **2** forward by telescoping the hydraulic cylinder in.
- ▶ Pin the center tube **2** again on the guide **1** with the pin pulling device **4**, Fig. 4.
- ▶ Press the button **392** and telescope the ballast trailer out to the required radius R 25 m or R 30 m.

Initial position is illustration 5.

- ▶ Release the guy rods between the derrick head and the ballast trailer.
- ▶ Support the ballast trailer.
- ▶ Unpin the center pipe **2** on the guide **1** with the pin pulling device **4**.
- ▶ Press the button **392** and pull the center tube **2** backward by telescoping the hydraulic cylinder out.
- ▶ Pin the center tube **2** again on the guide **1** with the pin pulling device **4**, Fig. 3.

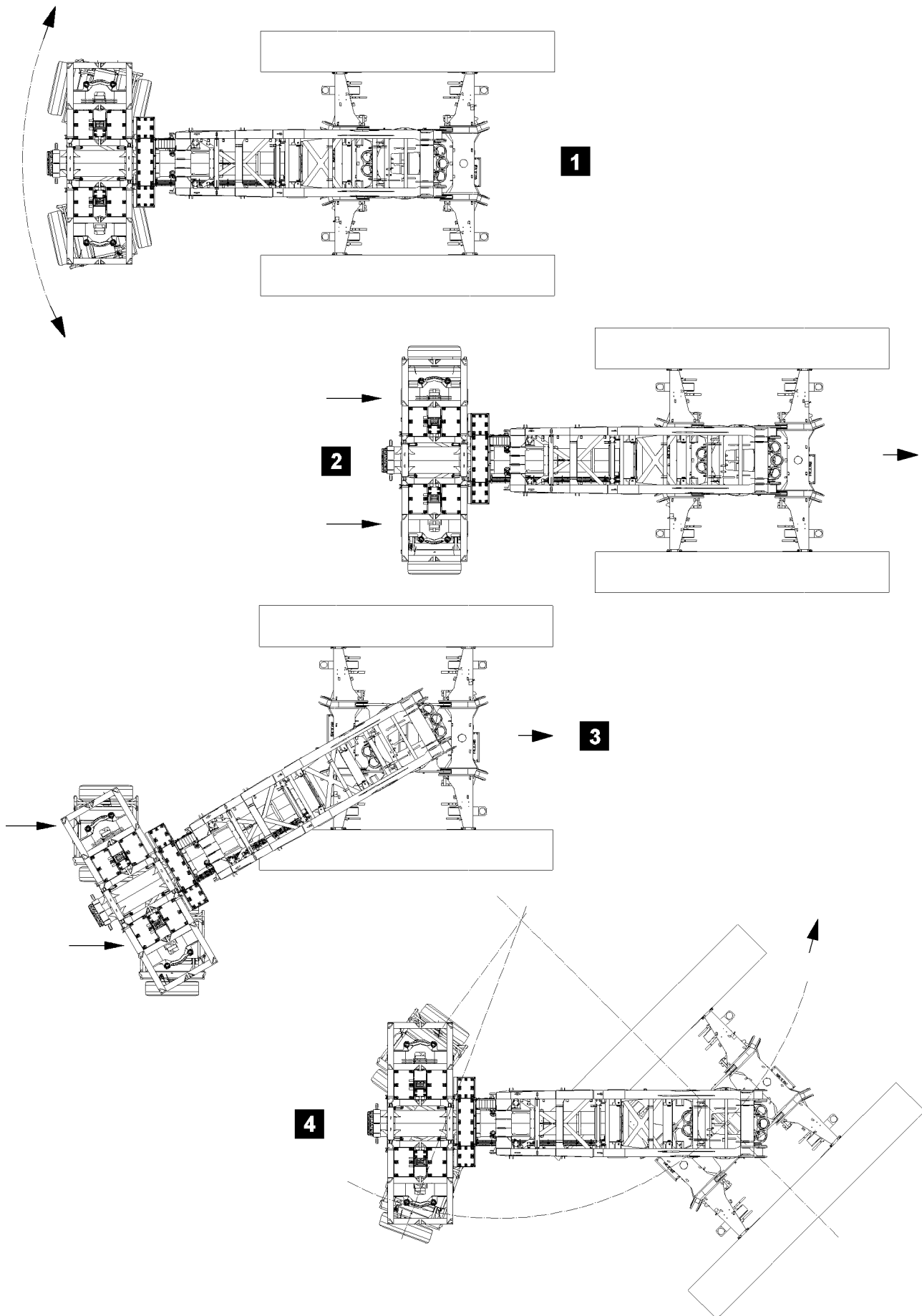


Fig.103457

LWE/LR 11350-005/19004-04-02/en

4 Changing the wheel sets

4.1 Steering programs

The ballast trailer is equipped with computer controlled steering programs.

- **Illustration 1:** Circular driving
- **Illustration 2:** Towing
- **Illustration 3:** Parallel driving
- **Illustration 4:** Corrective steering

The computer controlled steering programs circular driving, towing and parallel driving can only be actuated from the cab.

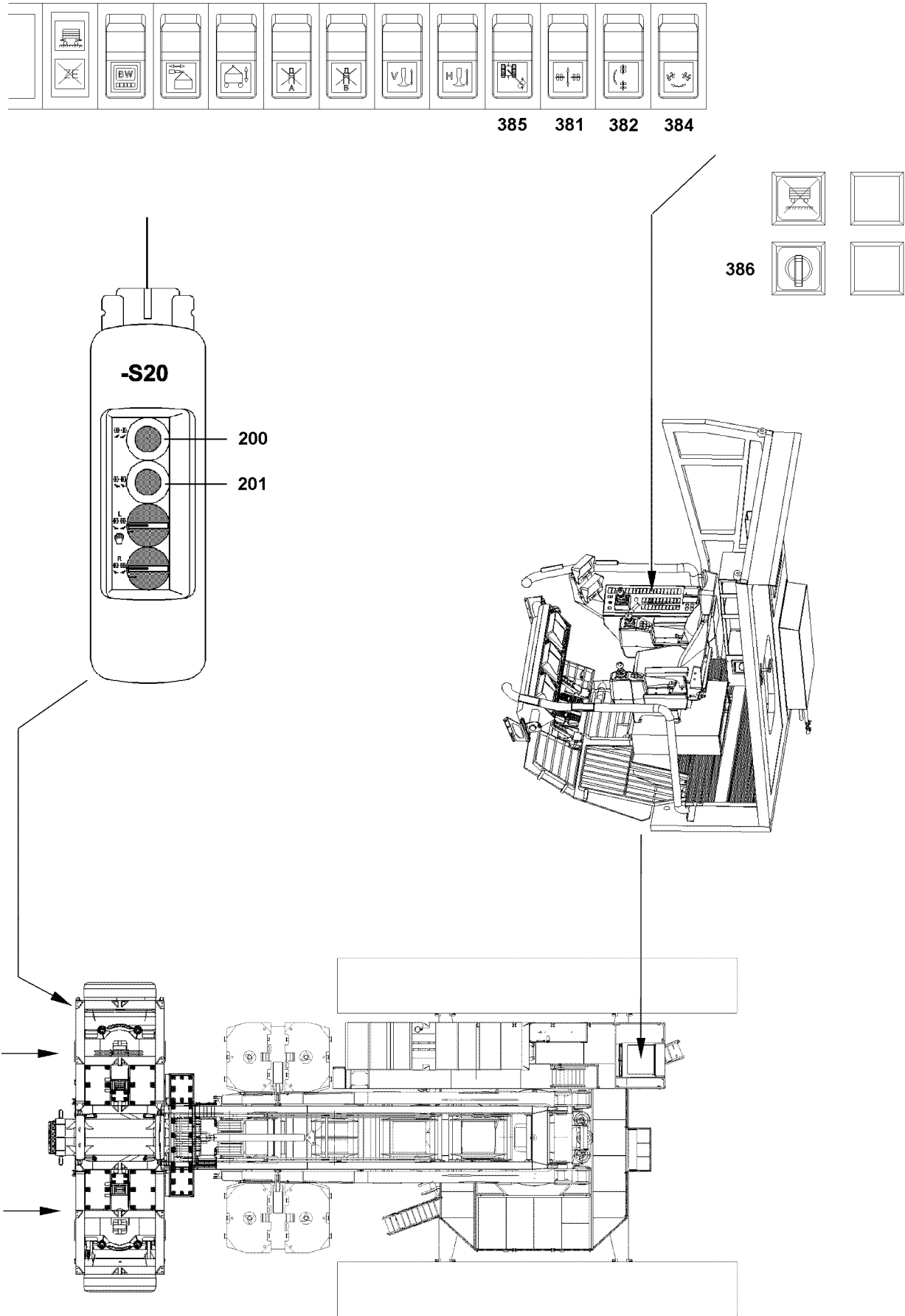


Fig.112909

LWE/LR 11350-005/19004-04-02/en

4.2 Notes to change the wheel sets

The change of the wheel sets for circular driving **384**, towing **381** and parallel driving **385** is only possible with the button **381**, button **384** and button **385** in the cab.

Corrective steering is possible with the button **382** in the cab or with the button **200** and button **201** from the control panel **-S20** on the ballast trailer.

The manual change of the wheel sets for assembly purposes is only possible with the buttons on the control panel **-S20** on the ballast trailer.



Note

- ▶ If the ballast trailer is suspended, the wheel sets can be positioned in any mode, if the key button **386** „Ballast trailer lifted off“ was turned on!
- ▶ Turning and driving is possible!



DANGER

Danger of accidents when turning or driving!

If the ballast trailer scrapes on the ground during crane operation with turned on key button **386**, then the ballast trailer and the crane will be damaged!

- ▶ If the key button **386** „Ballast trailer lifted off“ is turned on, it is imperative that a person monitors that the wheels **do not scrape on the ground!**

4.3 Changing the wheel sets

The change procedure is the same for all steering programs.



Note

- ▶ If the ballast trailer is **not loaded**, the wheel sets can be changed without relieving the tires!
- ▶ If the ballast trailer is **loaded**, the ballast trailer must be raised first with the support cylinders until the tires are relieved!
- ▶ Both support cylinders, rear and front, must be retracted or extended simultaneously and evenly!
- ▶ The support procedure is the same for all steering programs!

NOTICE

Overload of support cylinders!

Both support cylinders, rear and front, must be retracted or extended simultaneously and evenly!

If only one support cylinder is retracted or extended or if they are not retracted or extended simultaneously, then one support cylinder must take on the entire weight and will therefore be overloaded!

- ▶ Actuate both support cylinders simultaneously!



DANGER

Danger of accidents due to overload!

By raising the ballast trailer with the support cylinders, the force in test point F1 can increase to the maximum value. The extension of the support cylinders is then turned off!

- ▶ Stop the extension of the support cylinders before shut off!
- ▶ Actuate the support cylinders in the cab and watch the monitor display, Force in test point F1, at the same time.

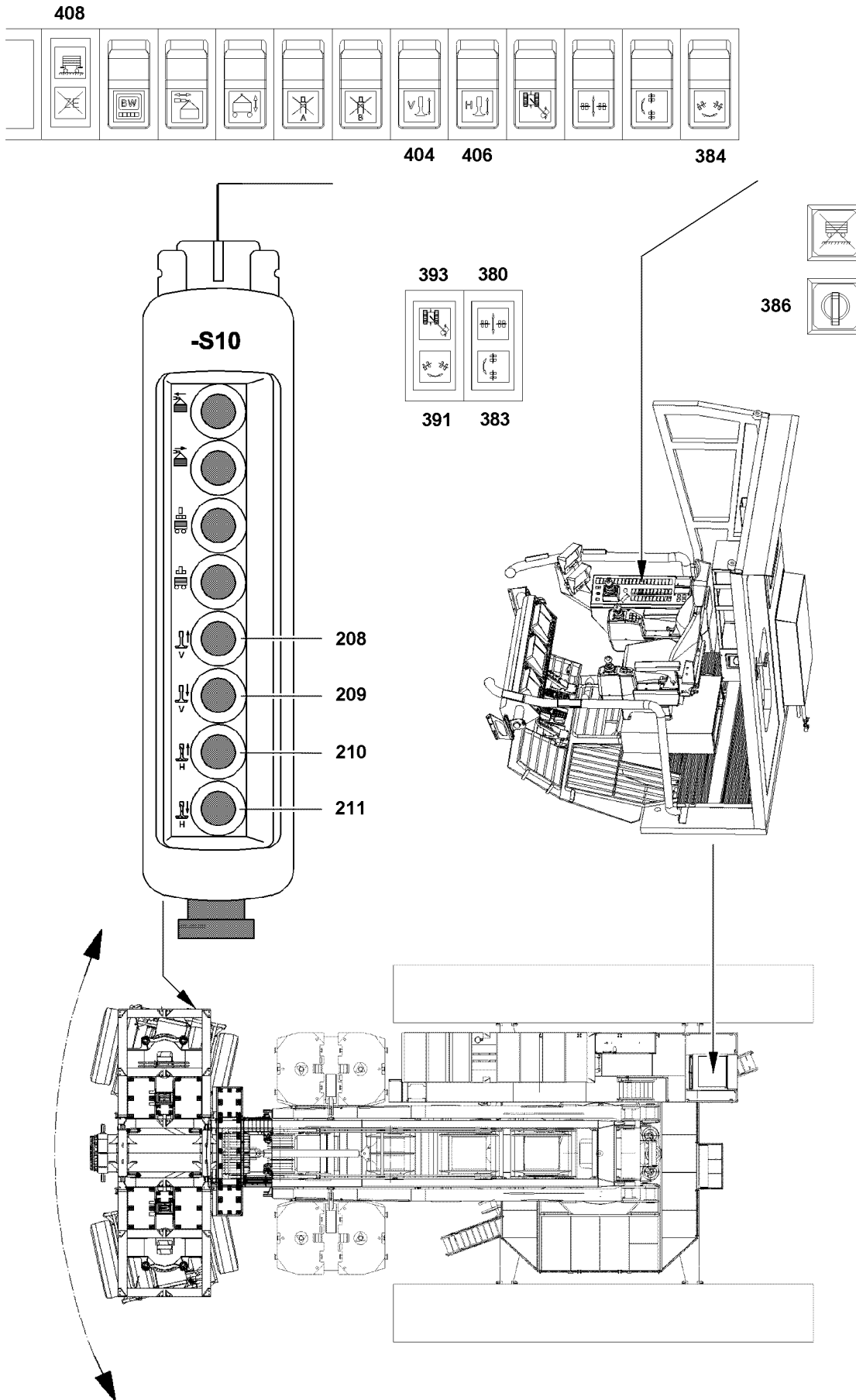


Fig.112901

LWE/LR 11350-005/19004-04-02/en

4.4 Circular driving

Make sure that the following prerequisite is met:

- The ballast trailer guide is telescoped out to the required radius.

4.4.1 Lifting the ballast trailer with the support cylinders

- ▶ Press button **404** and button **406** or button **209** and button **211** simultaneously and extend the support cylinders on the front and rear simultaneously.
- ▶ Raise the ballast trailer until the tires are relieved.

4.4.2 Setting the axles to circular driving position

- ▶ Press button **384**, the wheel sets are turned to the circular driving position.

Result:

- The indicator light **391** blinks until the circular driving position is reached. The indicator light **391** lights up constantly when the circular driving position is reached.



Note

- ▶ If one of the wheel sets leaves the specified angle, then the indicator light **391** blinks and the axles must be reset as described above!

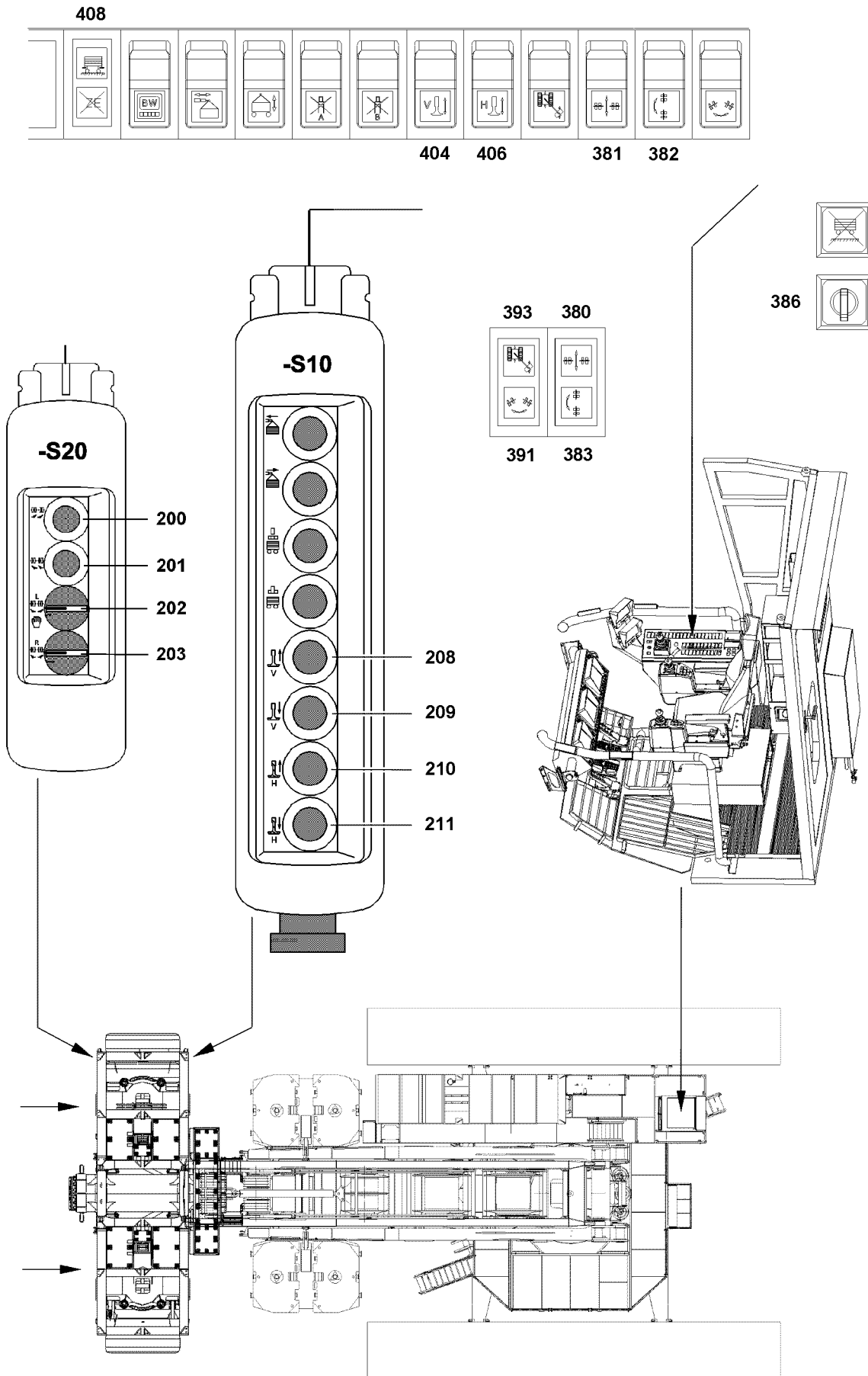
- ▶ Press the button **384** again.

4.4.3 Lowering the ballast trailer with the support cylinders

- ▶ Press button **404** and button **406** or button **208** and button **210** simultaneously and retract the support cylinders on the front and rear completely.

Result:

- The indicator light **408** lights up, the support cylinders are retracted.



LWE/LR 11350-005/19004-04-02/en

4.5 Towing

4.5.1 Lifting the ballast trailer with the support cylinders

- ▶ Press button **404** and button **406** or button **209** and button **211** simultaneously and extend the support cylinders on the front and rear simultaneously.
- ▶ Raise the ballast trailer, see Circular driving.

4.5.2 Setting the axles to towing position

- ▶ Press button **381**, the axles are turned to the towing position.

Result:

- The indicator light **380** blinks until the towing position is reached. The indicator light **380** lights up constantly when the towing position is reached.

4.5.3 Lowering the ballast trailer with the support cylinders

- ▶ Press button **404** and button **406** or button **208** and button **210** simultaneously and retract the support cylinders on the front and rear completely.

Result:

- The indicator light **408** lights up, the support cylinders are retracted.



Note

- ▶ The release for „towing“ is only made when both wheel sets are in travel position (neutral position) and the support cylinders are completely retracted!
- ▶ Check the setting of the wheel sets and the support cylinders.

4.5.4 Changing from corrective steering to towing position and reverse

NOTICE

Load on the ballast trailer wheels is too large!

When correcting the steering with excessive load **at a standstill**, the ballast trailer will be damaged!

- ▶ In case of large load, correct the steering only in **travel operation!**
- ▶ Monitor the distortion of the wheels!



Note

- ▶ Changing from operating mode towing to operating mode corrective steering and back is possible while driving the crawler!
- ▶ If one of the wheel sets leaves the specified angle, then the indicator light **380** blinks and the axles must be reset as described above!
- ▶ If the operating mode towing is selected from operating mode corrective steering, then the indicator light **383** blinks!
- ▶ Generally, the wheels sets only move if either the button **382** or button **381** in the cab or button **200** or button **201** on the control panel in the corresponding operating mode are pressed or the crawler is driven!

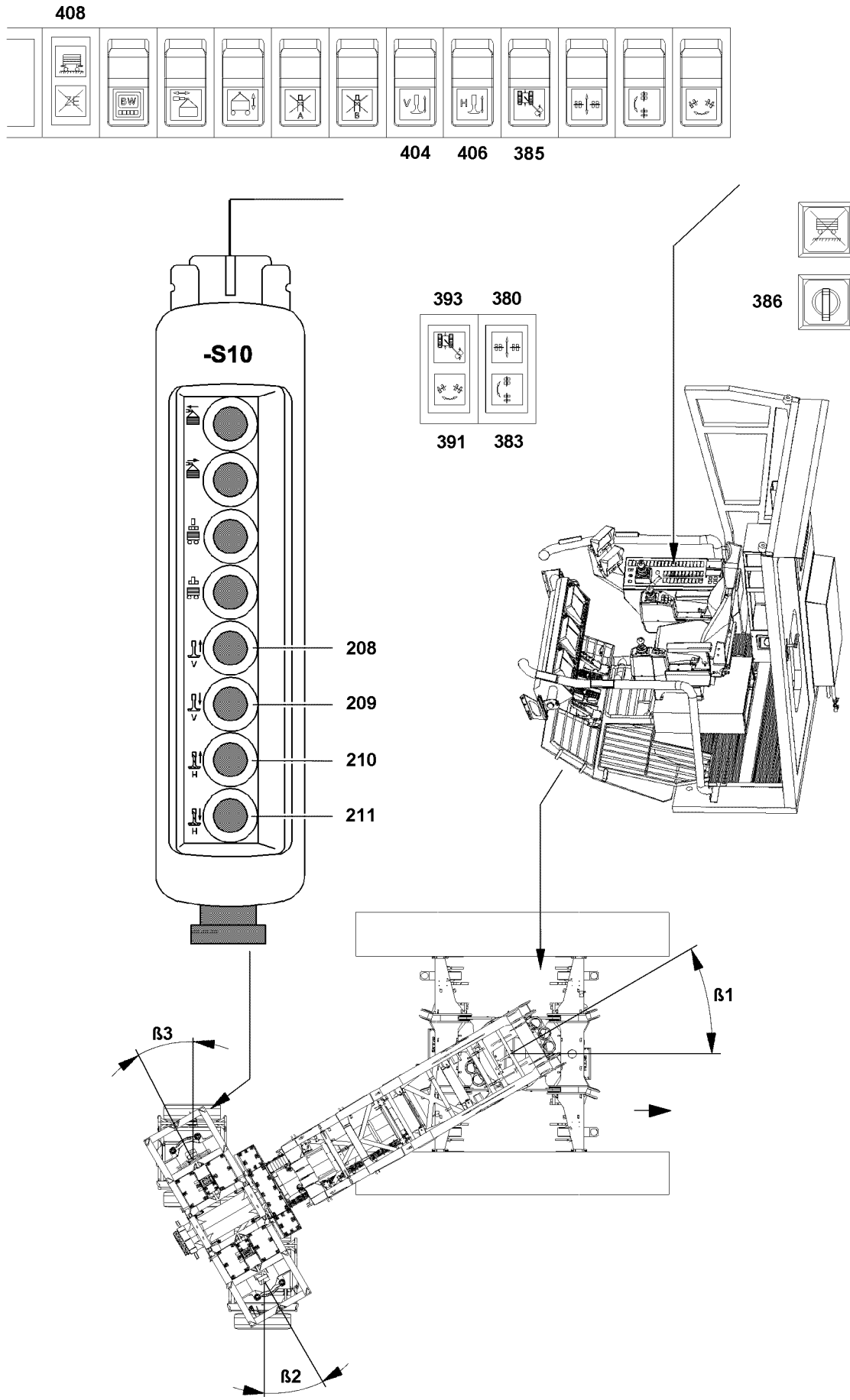


Fig.112903

LWE/LR 11350-005/19004-04-02/en

4.6 Parallel driving

Make sure that the following prerequisite is met:

- Crawler operation is turned on.

NOTICE

Property damage!

- ▶ When driving parallel, steering the crawler is prohibited!
 - ▶ In parallel driving, a person must monitor the side tire distortion. In case of a distortion of more than 100 mm, the position of the axles must be corrected!
-



Note

- ▶ The wheel sets must be in parallel driving position, regardless if the „ballast trailer is on the ground“ or if the „ballast trailer is suspended“. For other wheel set positions, the control system reverts to the same shut off functions as for towing!
 - ▶ Drive both crawlers at the same time in parallel!
-

4.6.1 Lifting the ballast trailer with the support cylinders

- ▶ Press button **404** and button **406** or button **209** and button **211** simultaneously and extend the support cylinders on the front and rear.

4.6.2 Setting the axles to parallel position

- ▶ Press the button **393**, the axles are turned to parallel position.

Result:

- The indicator light **393** blinks until the parallel position is reached. The indicator light **393** lights up constantly when the parallel position is reached.
-



Note

- ▶ If one of the wheel sets leaves the specified angle, then the indicator light **393** blinks and the wheel sets must be reset as described above!
-

- ▶ Check the parallel position.
-

4.6.3 Lowering the ballast trailer with the support cylinders

- ▶ Press button **404** and button **406** or button **208** and button **210** simultaneously and retract the support cylinders on the front and rear completely.

Result:

- The indicator light **408** lights up, the support cylinders are retracted.
-



Note

- ▶ The travel drive of the crawler is locked until the axles are in parallel position. During „crawler driving“ the slewing gear brake on the crane is engaged, the hydraulic coasting is opened!
 - ▶ If the angles β_2 , β_3 in relation to β_1 deviate by more than the permissible limit value, then the crawler track is stopped. The indicator light **393** blinks!
 - ▶ The crawler track is only released again by turning the axles to the specified angle, as described above!
 - ▶ If „Parallel operation crawler“ is turned on, the crawler moves straight forward on appropriate terrain. This simplifies driving with the ballast trailer in operating mode „Parallel driving“!
-

- ▶ Check the settings.
-

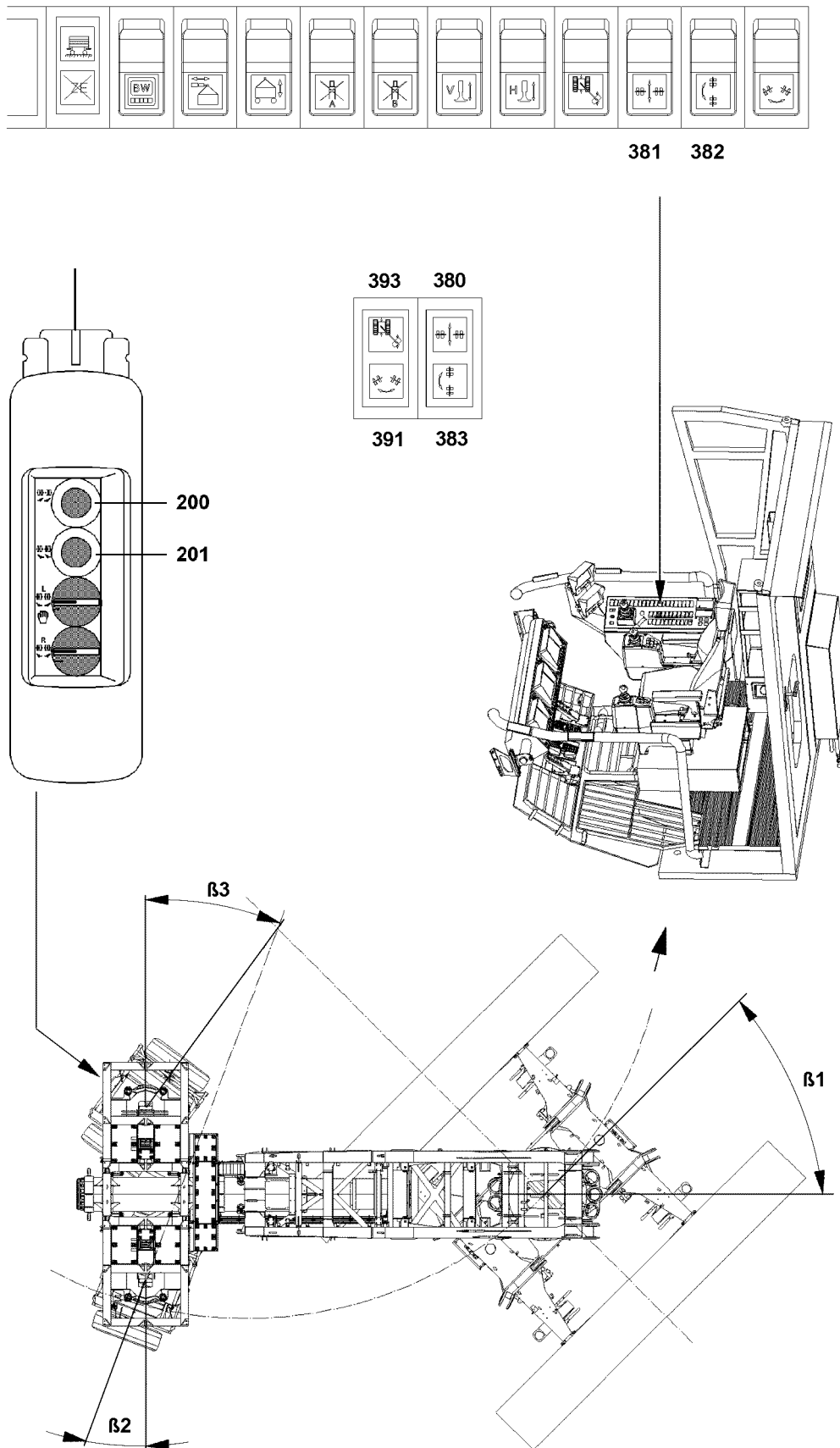


Fig.104030

LWE/LR 11350-005/19004-04-02/en

4.7 Corrective steering

Make sure that the following prerequisite is met:

- Crawler operation is turned on.

4.7.1 Steering and corrective steering the axles

Make sure that the following prerequisite is met:

- Operating mode towing is selected **and** the ballast trailer axles have reached the towing position. The indicator light **380** lights up.

- ▶ Press button **382** or button **200**, the ballast trailer wheels turn to the right.
- ▶ Press button **382** or button **201**, the ballast trailer wheels turn to the left.

The right wheel set is regulated by the computer controlled steering program in such a way that a steering center is always present. The angle β_1 is determined by the driving the crawler and angle β_3 by the operator steering, whereby angle β_2 is continually corrected. It is possible to switch between manual corrective steering and towing modes when driving the crawler once the towing position has been reached. If the operating mode manual corrective steering is selected from operating mode towing, then the indicator light **380** lights up.



Note

- ▶ The left wheel set can be steered up to a specified angle β_3 . It is not possible to steer beyond this limit!
 - ▶ The right wheel set is reregulated according to the steering center. If the right wheel set (corrective steering) cannot follow the left wheel set, the left wheel set is halted until the right wheel set (corrective steering) has caught up!
 - ▶ If the right wheel set leaves the specified angle anyway, then the indicator light **380** blinks and it must be started again with towing!
 - ▶ If the crawler is driven and if the angle β_1 of the turntable exceeds the specified value, then an automatic switch is made in operating mode towing. The indicator light **380** blinks!
 - ▶ When the towing position is reached, manual corrective steering can continue. The indicator light **380** lights up!
 - ▶ Generally, the wheels sets only move during corrective steering if either the button **382** or button **or** button **200** or button **201** on the control panel in the corresponding operating mode are pressed or the crawler is driven!
-
- ▶ Check the settings.

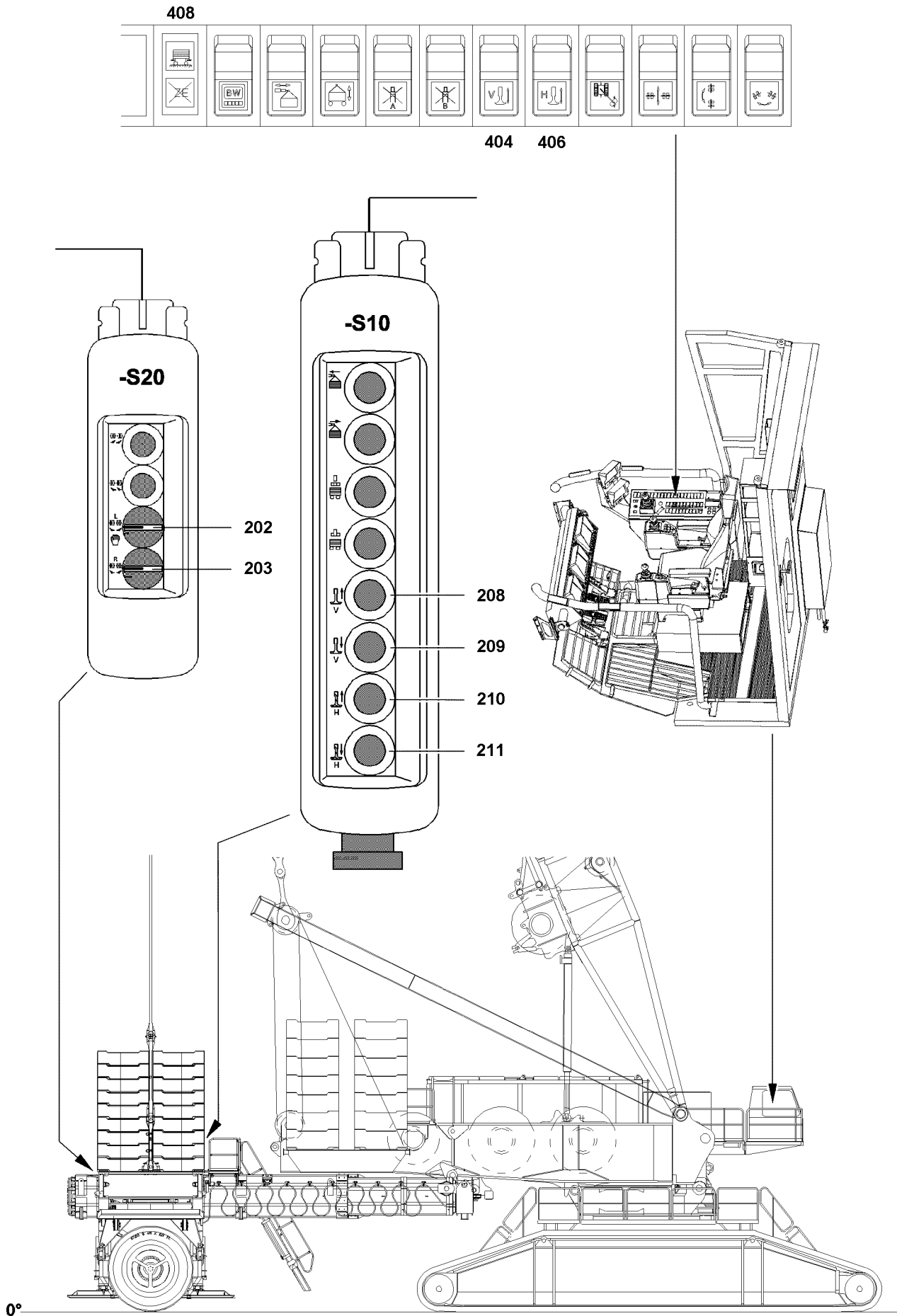


Fig.103464

LWE/LR 11350-005/19004-04-02/en

4.8 Manual operation for assembly

The ballast trailer is equipped with a program which allows for each wheel set to be turned individually at assembly.

4.8.1 Lifting the ballast trailer with the support cylinders

- ▶ Press button **404** and button **406** or button **209** and button **211** and extend the support cylinders on the front and rear.

4.8.2 Setting the axles

- ▶ Turn the rotary switch **202** to the right, the left axle turns to the right.
- ▶ Turn the rotary switch **202** to the left, the left axle turns to the left.
- ▶ Turn the rotary switch **203** to the right, the right axle turns to the right.
- ▶ Turn the rotary switch **203** to the left, the right axle turns to the left.

4.8.3 Lowering the ballast trailer with the support cylinders

- ▶ Press button **404** and button **406** or button **208** and button **210** and retract the support cylinders on the front and rear completely.

Result:

- The indicator light **408** lights up, the support cylinders are retracted.

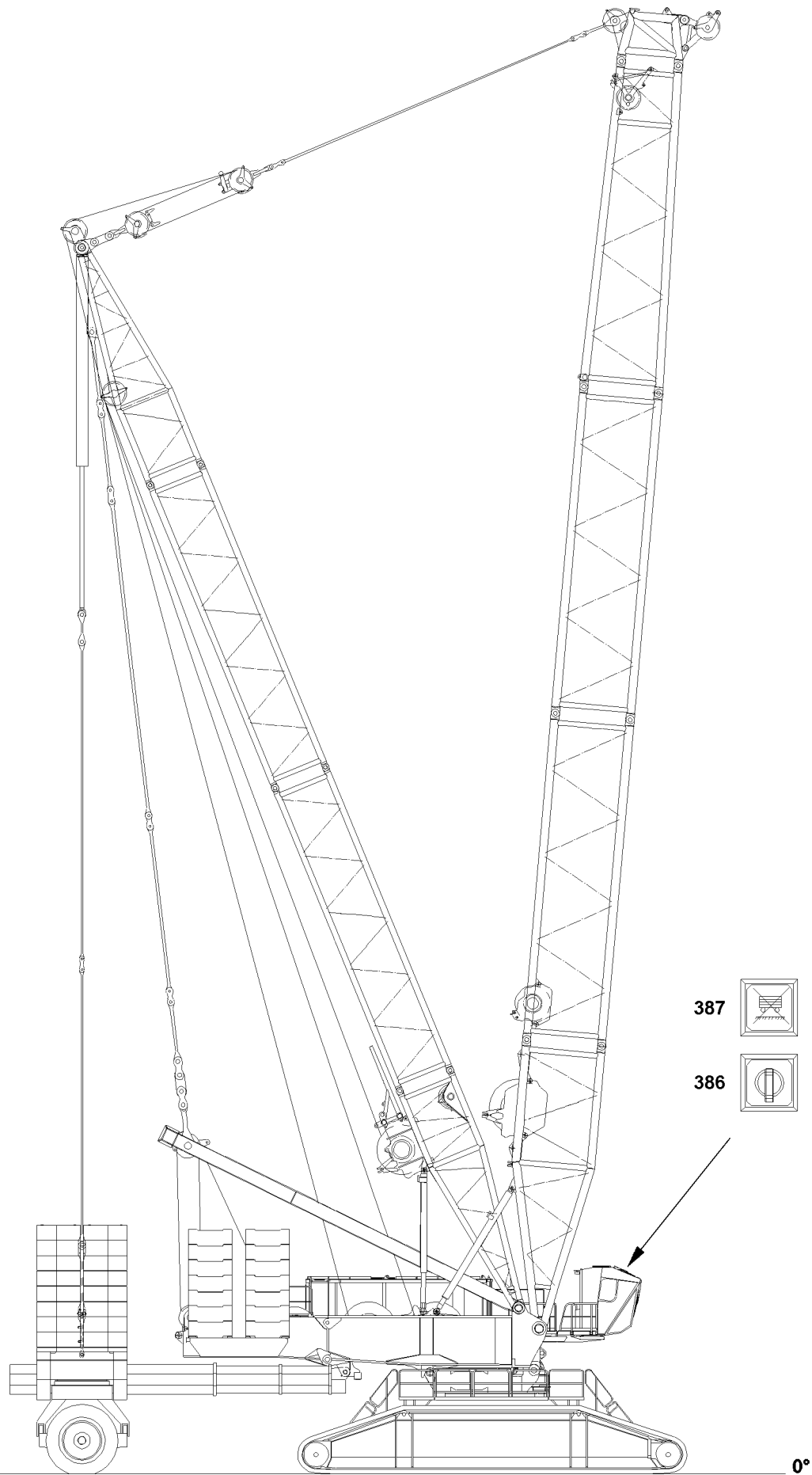


Fig.104026

LWE/LR 11350-005/19004-04-02/en

5 Driving with the ballast trailer

5.1 Driving



Note

- ▶ It is only permitted to drive the ballast trailer on level ground capable of supporting the load!
- ▶ Driving over obstacles is not permitted!



DANGER

Block position of relapse cylinders!

In case of non-permissible level difference between the ballast trailer travel route and the crane position level, the entire crane system can be pulled back and the relapse cylinders can go mechanically in block position!

- ▶ Make sure that the permissible level difference in relation to the ballast trailer travel route and the crane position level is observed and adhered to!



WARNING

End position of extension cylinder!

If the extension cylinders is fully extended or retracted when driving in end position, then there is no pressure monitoring!

The extension cylinder can be damaged!

- ▶ Before driving, make sure that the extension cylinder is not in end position!

5.1.1 Pressure monitoring in extension cylinder

Due to the enormous propulsion force of the crawlers when driving forward or backward, the extension cylinder can be overloaded in pull or push direction if the ballast trailer moves over uneven ground or uphill or if it is stuck.



WARNING

Property damage!

Do not pull a stuck ballast trailer loose through the enormous propulsion force of the crawlers!

- ▶ Do not overload the extension cylinder!



Note

- ▶ If the maximum permissible pressure in the extension cylinder is exceeded, a bell will sound and an error message appears!
- ▶ There is **no** shut off!

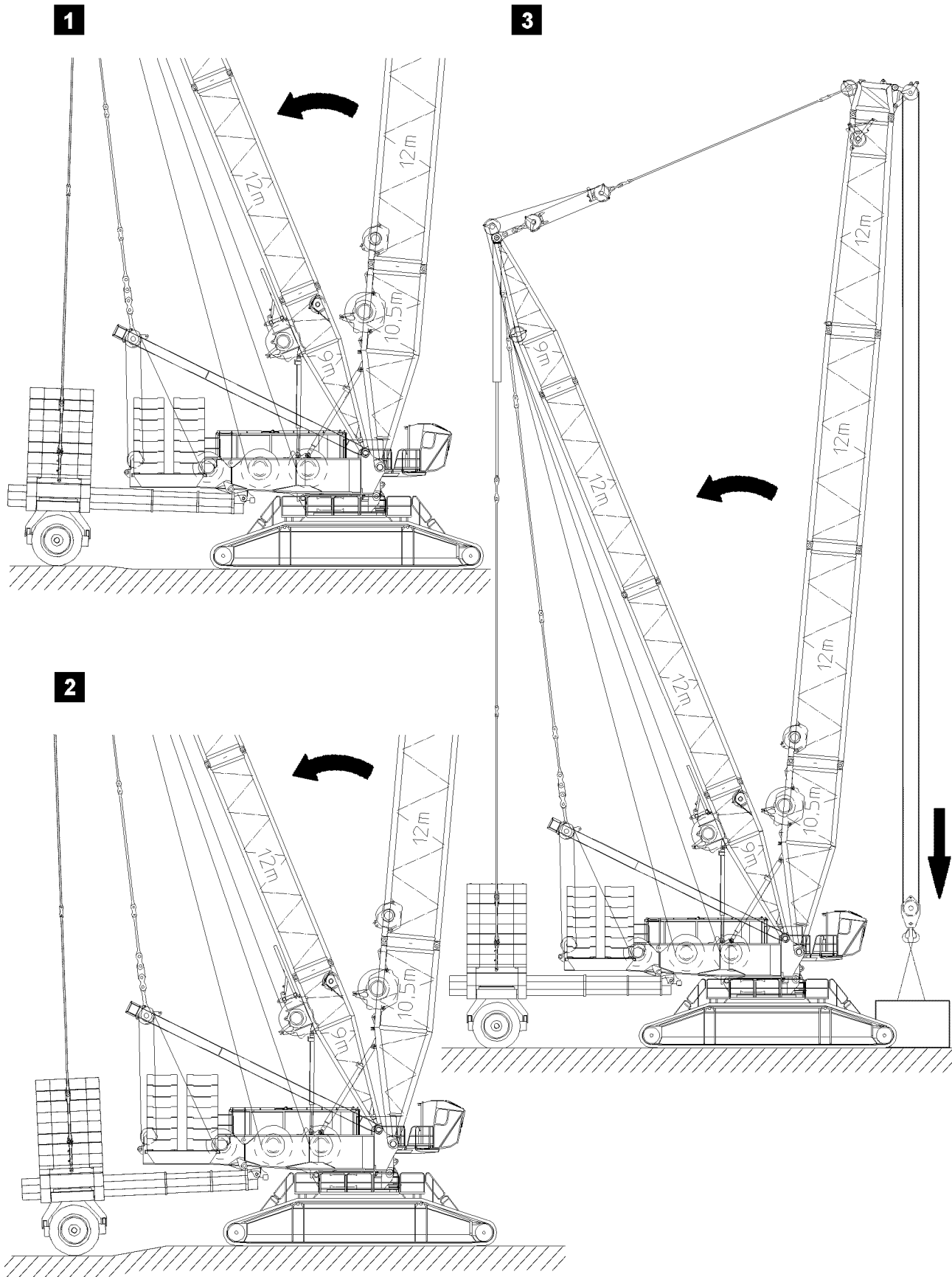


Fig.104091

LWE/LR 11350-005/19004-04-02/en

5.2 Safety guidelines for travel operation

5.2.1 Relapse cylinder

When the steepest operating position of the main boom is reached, luffing up is turned off by the overload protection in all operating modes.



Note

- ▶ However, there are cases when the relapse cylinders move mechanically to stop position, due to a movement of the entire crane system to the rear!

5.2.2 Block position relapse cylinders

In normal crane operation without bypass of the overload protection, a block position is not possible. Should a block position still occur, the movement is turned off and the boom limitation symbol shown on the operating screen indicates which block position has been reached.

With this boom limitation icon it is to be determined which limit switch on which relapse cylinder has been actuated. Reverse the last movement which was carried out until the corresponding limit switch is released again.

5.2.3 Case 1, illustration 1

When driving or turning the crane with steeply positioned boom, the ballast trailer can be lowered, due to the level differences. This causes the whole boom system to be pulled backward and there is a risk of reaching the block position in the relapse cylinders. The same risk applies when turning if the ballast trailer sinks due to level differences.



Note

- ▶ Due to the signals „Main boom relapse cylinder on block“ or „Derrick relapse cylinder on block“ in operation with ballast trailer, the drive and turn the crawler movements are automatically turned off!

5.2.4 Case 2, illustration 2

If the level under the crane increases, the boom system is also pulled back. There is a risk that the relapse cylinders reach the block position.



Note

- ▶ Due to the signals „Main boom relapse cylinder on block“ or „Derrick relapse cylinder on block“ in operation with ballast trailer, the drive and turn the crawler movements are automatically turned off!

5.2.5 Case 3, illustration 3

When the load is set down with the hoist gear, the crane is relieved. This causes the booms to move backward, refer to section „Monitoring lowest force F1“.

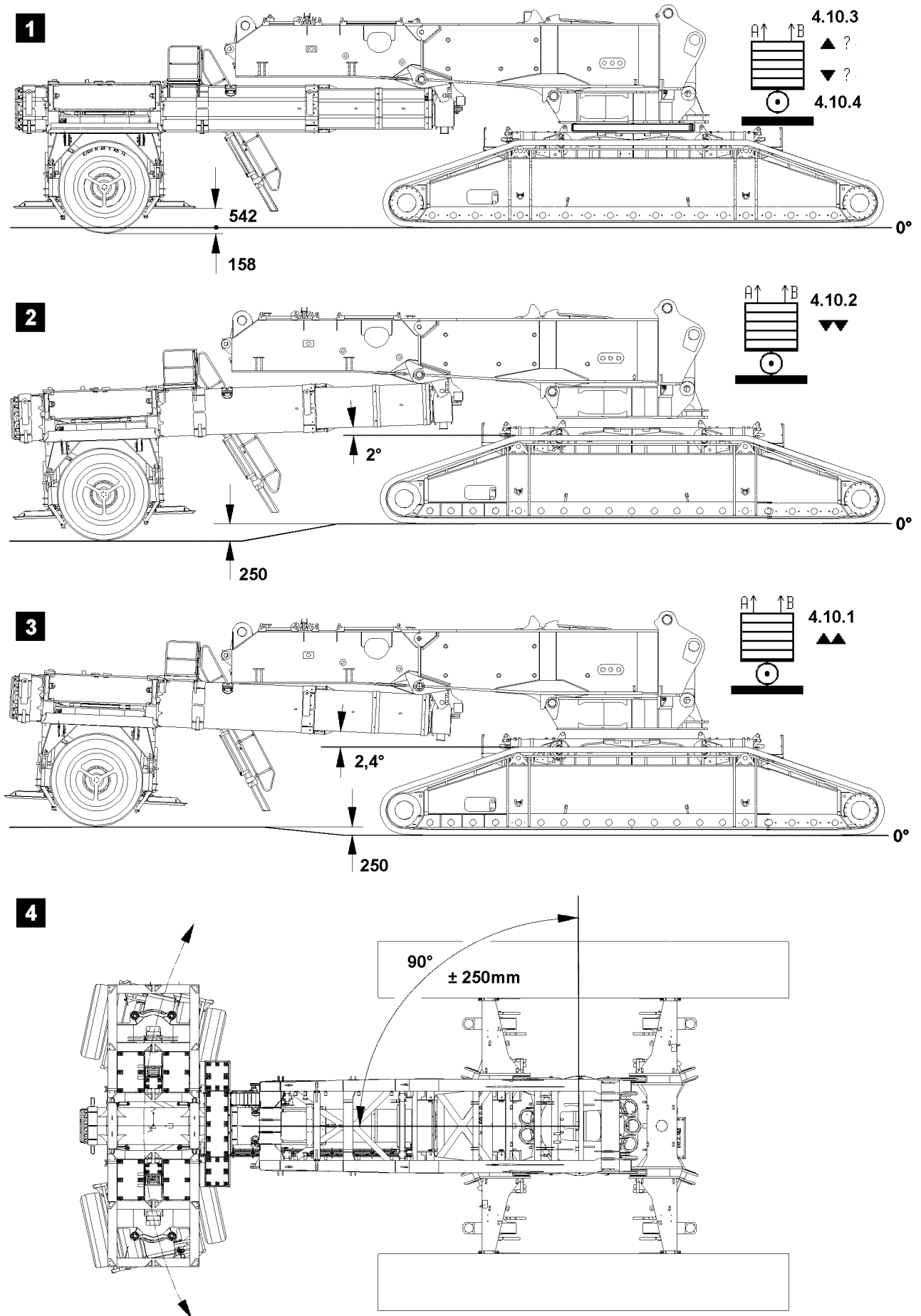


Fig.107455

LWE/LR 11350-005/19004-04-02/en

5.3 Maximum permissible ground unevenness

Level changes between placement surface of crane and ballast trailer during towing, parallel driving and circular driving.

Limit switches prevent a collision of the ballast trailer guide with the turntable.



Note

- ▶ The level difference, ballast trailer route in relation to the crane driving route during **towing** and **parallel driving** may be no more than maximum ± 250 mm !
- ▶ The level difference of ballast trailer route in relation to the crane route for **circular travel** may be a maximum ± 250 mm , constant uphill or downhill slope for 90° slewing range!

Illustration 1

At 158 mm of tire suspension, the guide tube is parallel to the lower edge of the turntable.

Illustration 2

Limit switch actuation at 2° incline downward:

- Icon **4.10.2**, block position **downward** appears.
- Shut offs, see Crane operating instructions, chapter 4.02!

Illustration 3

Limit switch actuation at 2.4° incline upward:

- Icon **4.10.1**, block position **top** appears.
- Shut offs, see Crane operating instructions, chapter 4.02!

Illustration 4

Circular driving, maximum ± 250 mm , constant uphill or downhill slope, at 90° slewing range.

5.3.1 Alarm functions



Note

- ▶ The crane operator must know and observe the shut off diagrams in the separately supplied electric wiring diagram!
- ▶ See Crane operating instructions, chapter 4.02!

NOTICE

Damage of ballast trailer!

The icon **4.10.3** and icon **4.10.4** display that at least one limit switch is defective!

There is no shut off in block position **on the bottom and top!**

The ballast trailer and the turntable will be damaged!

- ▶ Replace defective limit switches immediately!
- ▶ Check the function!

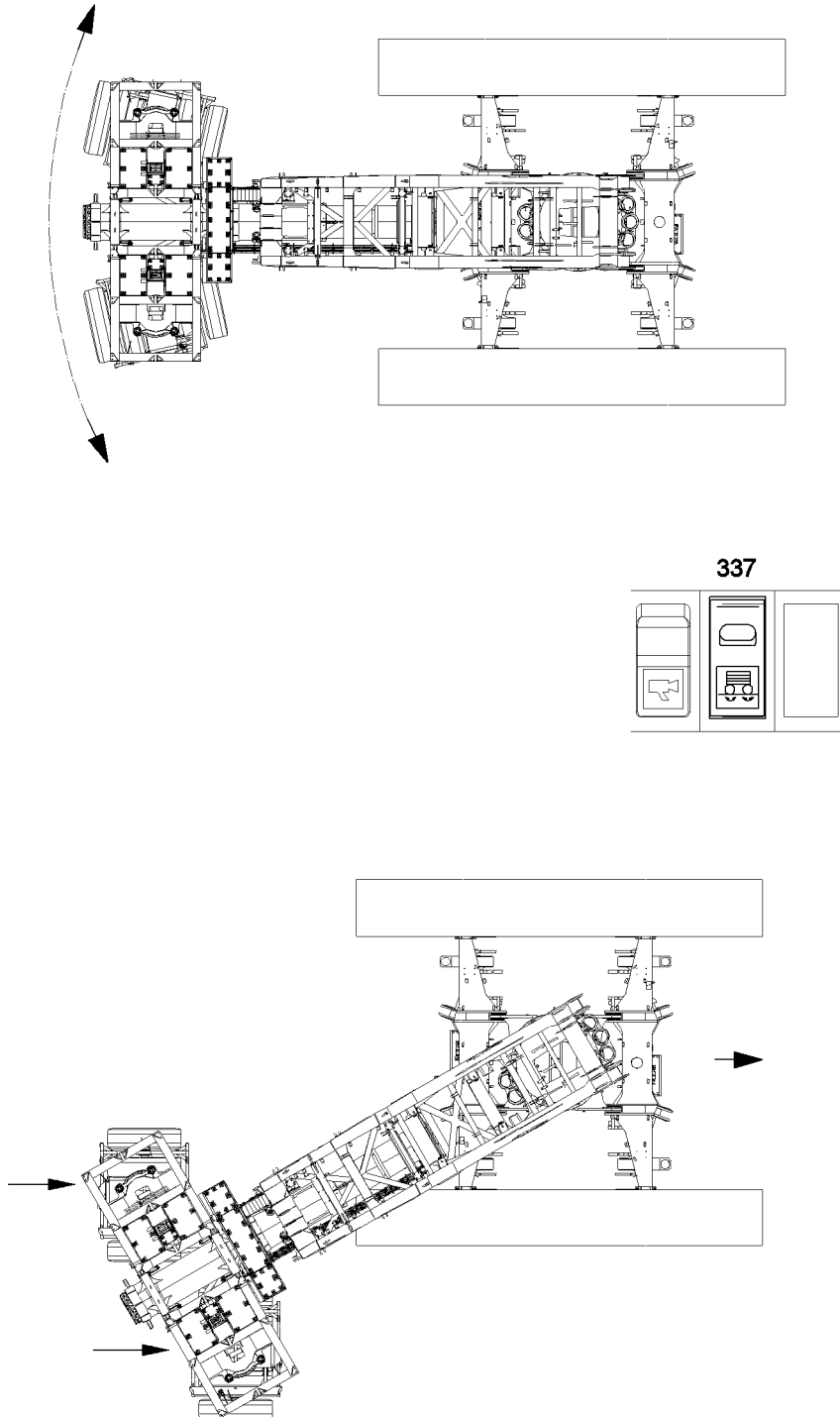


Fig.106376

LWE/LR 11350-005/19004-04-02/en

5.3.2 Drive of ballast trailer

A ballast trailer is equipped with a wheel set with its own drive. The drive is added in the crane cab.



Note

- ▶ The addition of the drive is only possible in circular and parallel driving mode!
 - ▶ The additional drive may be required when driving over uneven ground!
-

If the travel route is level, no additional drive is required.

Add the drive only when no turning / driving movement occurs when the control lever is deflected.

Turn the drive on with switch **337** in the crane operator's cab.



Note

- ▶ Turn the drive off as soon as the unlevel ground has been passed!
 - ▶ Turn the drive off with switch **337** in the crane operator's cab.
-

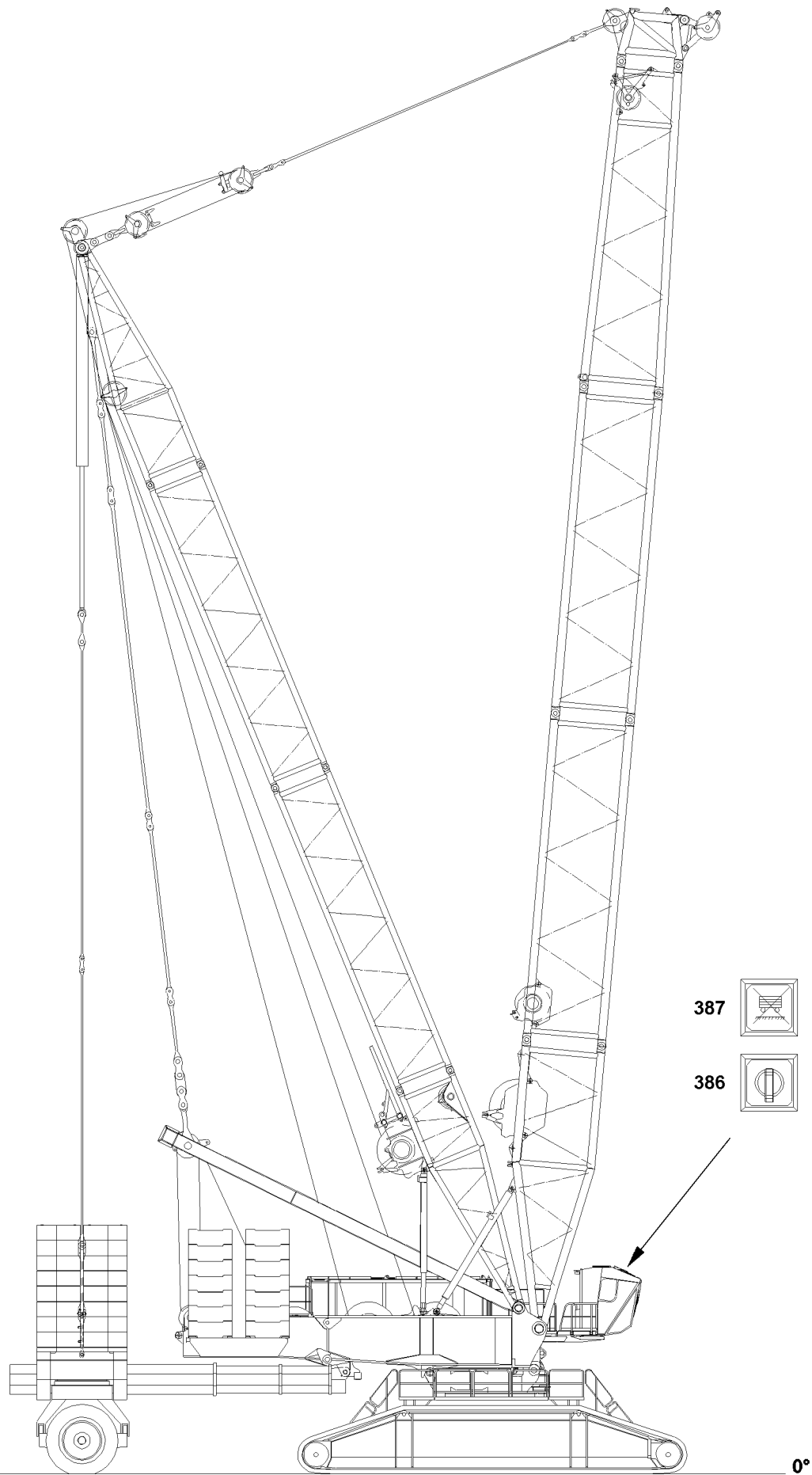


Fig.104026

LWE/LR 11350-005/19004-04-02/en

5.4 Key button „Ballast trailer lifted off“

When „crawler driving“ and key button **386** is not operated, i.e. „Ballast trailer not lifted off“, the slewing gear brake and hydraulic coasting of the slewing gear are opened. For „driving the crawler“ with **lifted off ballast trailer** (constant visual check), the key button **386** „Ballast trailer lifted off“ must be turned on.



DANGER

Danger of accident!

If the ballast trailer is lifted off the ground when driving the crawler - operating mode towing, there is the danger that the wind turns the turntable when „driving the crawler“, for that reason, the key button **386** „Ballast trailer lifted off“ must be turned on!

- ▶ Therefore, when „driving the crawler“, the slewing brake remains applied, but the hydraulic slewing gear coasting remains open!
- ▶ If, when „driving the crawler“, the ballast trailer scrapes on the ground or gets stuck on the ground, so that the turntable twists with the ballast trailer against the crawler track, the slewing brake can slip. The slewing gear will not be damaged!
- ▶ If the wheels of the ballast trailer are not in towing position, the ballast trailer or the crane will be damaged!



Note

- ▶ When the function „Ballast trailer lifted off“ is turned on, the warning light in the button **387** blinks, it is possible to turn the crane superstructure or to move the crane even though the wheels of the ballast trailer are not on circular driving, towing or parallel driving!

If the key button **386** is turned on to „Ballast trailer lifted off“, then this is shown by the blinking warning light in the button **387**. In addition, the ballast trailer icon on LICCON monitor 1 indicates a suspended state.

To turn „Ballast trailer lifted off“ off, the button **387** must be pressed. The warning light in button **387** turns off. The LICCON monitor shows the derrick ballast icon on the ground.

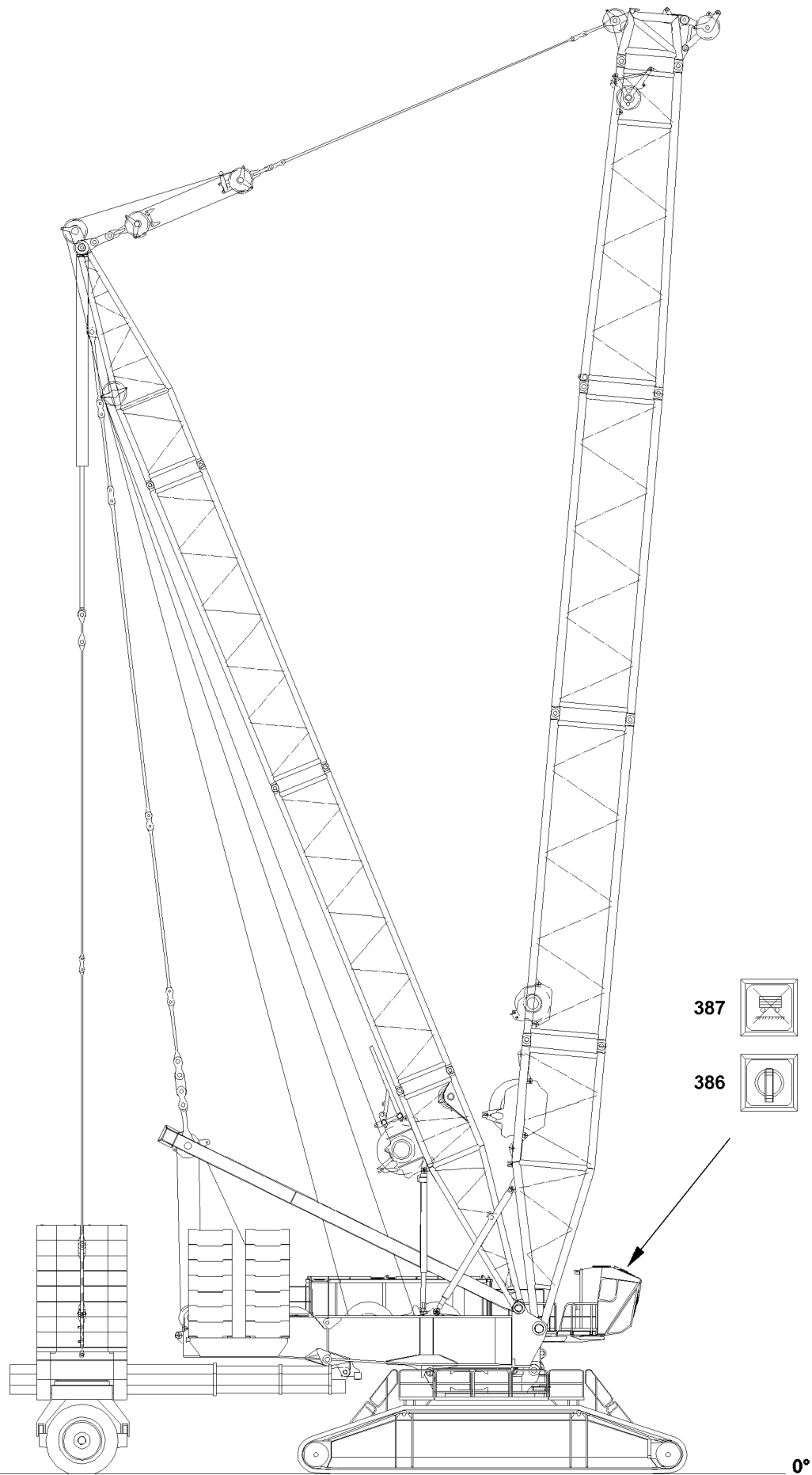


Fig.104026

LWE/LR 11350-005/19004-04-02/en

5.5 Defined ballast trailer operation

The ballast trailer may not be lifted off or set down while driving, it must be lifted off or set down before starting to drive.

1. The ballast trailer should be either

defined as set on the ground key button **386** not actuated „**Ballast trailer not lifted off**“. This means that the ballast trailer and its residual load are resting on the ballast trailer tires. This residual load is large enough to prevent the wind from turning the crane superstructure even though the slewing gear brake opens when the crawler is actuated.

or

2. defined as lifted off the ground, key button **386** actuated „**Ballast trailer lifted off**“. This means that the slewing gear brake does not open when the crawler is being driven. The wind can therefore not turn the superstructure when the crawler is driven.



DANGER

Danger of accident!

- ▶ The ballast trailer must always be operated, as defined, either freely suspended or solidly on the ground!
- ▶ Operation of the ballast trailer in an undefined state is prohibited!
- ▶ There is an increased accident risk if the ballast trailer is not in a defined set down or raised state!

5.6 Undefined ballast trailer operation



DANGER

Danger of accident!

- ▶ The ballast trailer must always be operated in a defined mode!

Ballasted ballast trailer is still standing on the ground with 1 t.

1. In case of key button **386** not actuated „**Ballast trailer not lifted off**“, the slewing brake opens when the crawler is driven. The wind can turn the superstructure and the load starts to swing.



DANGER

Danger of accident!

- ▶ There is an increased danger of accidents due to collision!

or

2. In case of key button **386** actuated „**Ballast trailer lifted off**“ The slewing brake remains closed when the crawler is driven. When driving the crawler around a curve, the ballast trailer tires or the slewing brake will slip.

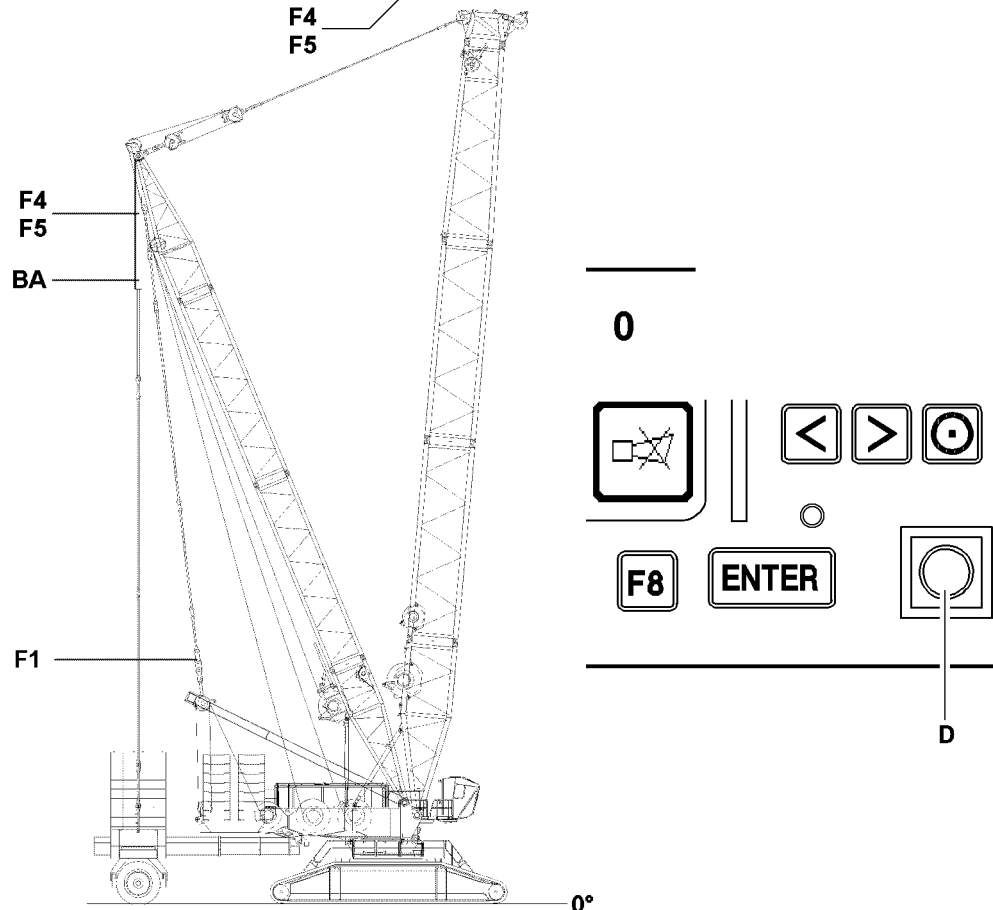
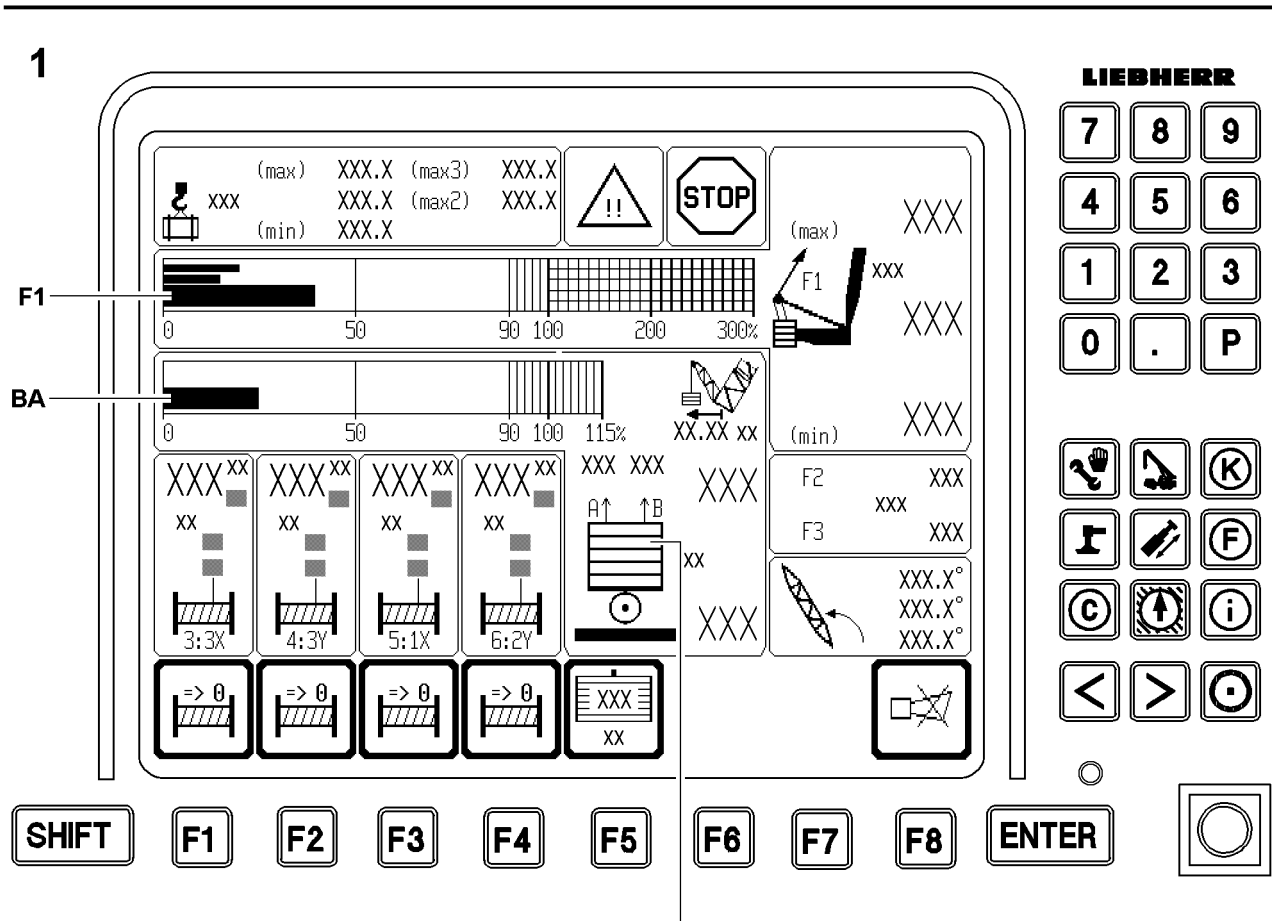


Fig.112904

LWE/LR 11350-005/19004-04-02/en

6 Crane operation with derrick ballast

6.1 LICCON overload protection

On cranes with derrick ballast, during operation also under load, by increasing or reducing the derrick ballast, the maximum load or the minimum load required for the balance of the crane, can be increased or decreased.



Note

- ▶ The suspended ballast and the ballast trailer are generally described as **derrick ballast!**
- ▶ The fixed compensation weight which is assembled on the turntable is generally described as the **counterweight!**

Make sure that the following prerequisites are met:

- The required derrick ballast according the load chart is placed and exactly entered and confirmed in the LICCON.
- The derrick is in operating position.

6.1.1 Presettings

- ▶ Set the LICCON overload protection according to the data in the load chart and confirm.



Note

- ▶ Enter the actual derrick ballast weight in the LICCON!
- ▶ Enter the actual reeving in the LICCON!

To set the derrick ballast, see Crane operating instructions, chapter 4.03.



DANGER

Danger of accident!

The set derrick ballast value must correspond to the actual derrick ballast weight added!

- ▶ Incorrect entry of the ballast weight can result in dangerous operational situations!
- ▶ Check the settings.

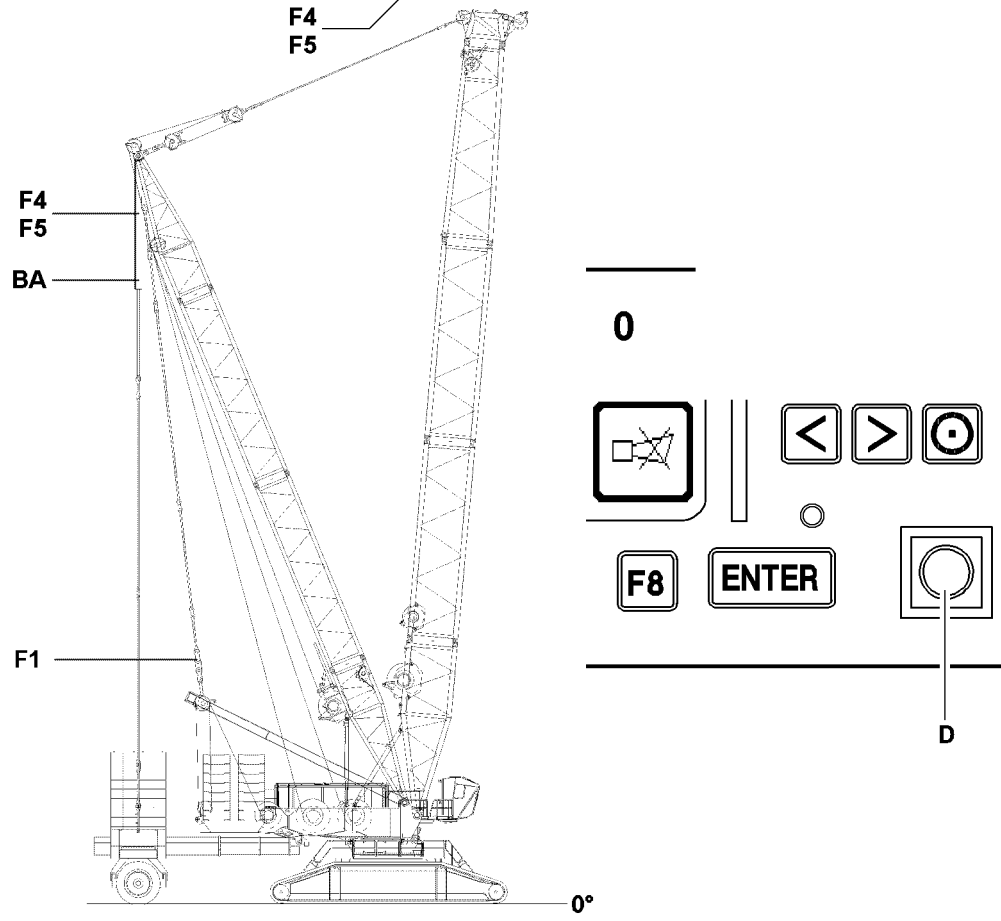
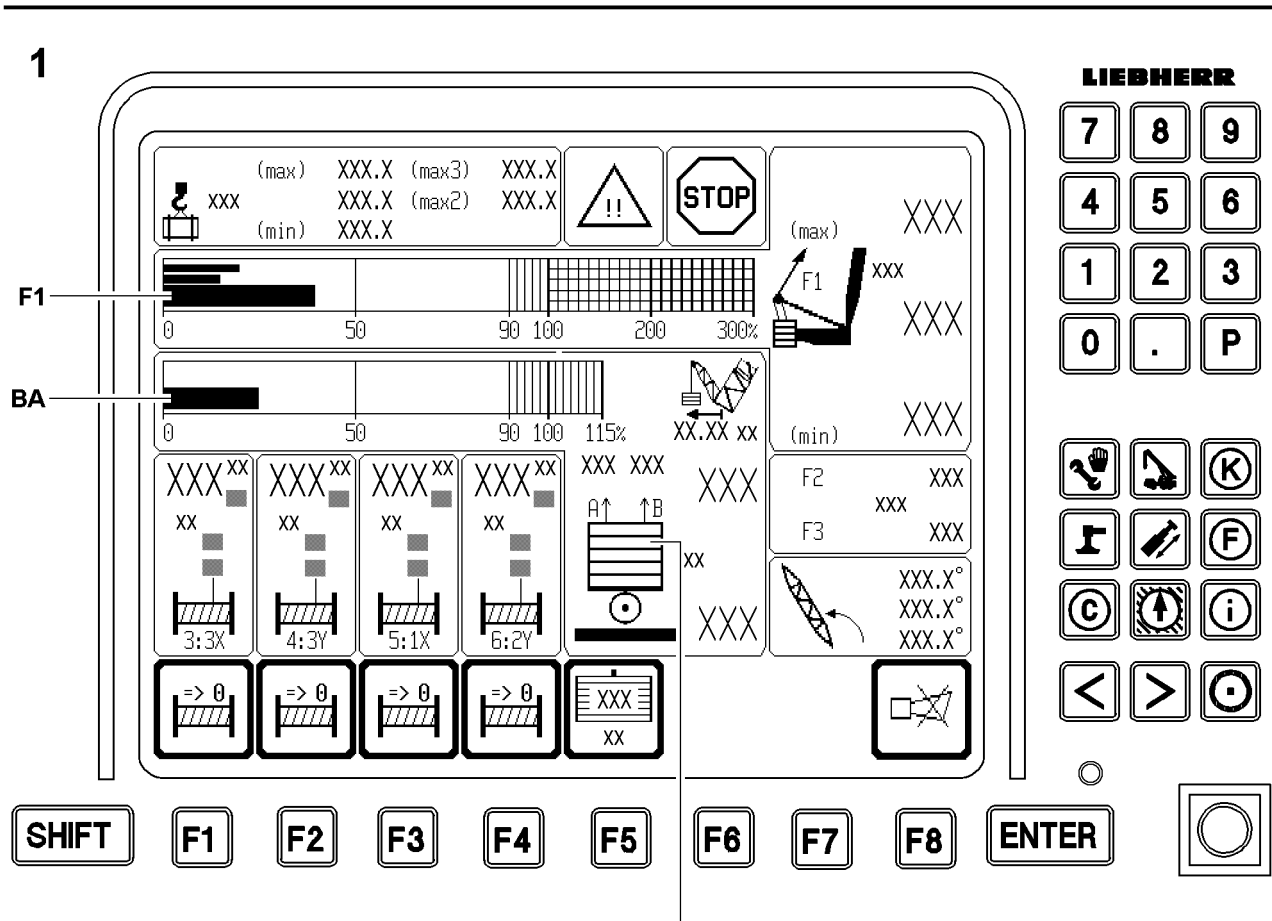


Fig.112904

LWE/LR 11350-005/19004-04-02/en

6.1.2 Crane operation



Note

- ▶ For crane operation with derrick ballast, the data in the Crane operating instructions, chapter 4.02 must be observed and adhered to!
-



DANGER

Danger of accident!

There may be no persons or obstacles within the slewing range of the derrick ballast.

During the turn, a guide must watch the boom, derrick and derrick ballast for a danger of collision!

When turning with a load and suspended derrick ballast, the turning movement must be initiated or slowed down extremely carefully!

- ▶ The jerky initiation / slowing down of a turning movement can cause the load or suspended derrick ballast to swing!
 - ▶ This can cause the boom to break off or the crane to topple over!
-



Note

- ▶ See section „Lifting and lowering with pull cylinders“ and section „Differential force monitoring for ballast guying“!
-

- ▶ Monitor the extension condition of the pull cylinders and the incline of the ballast trailer.

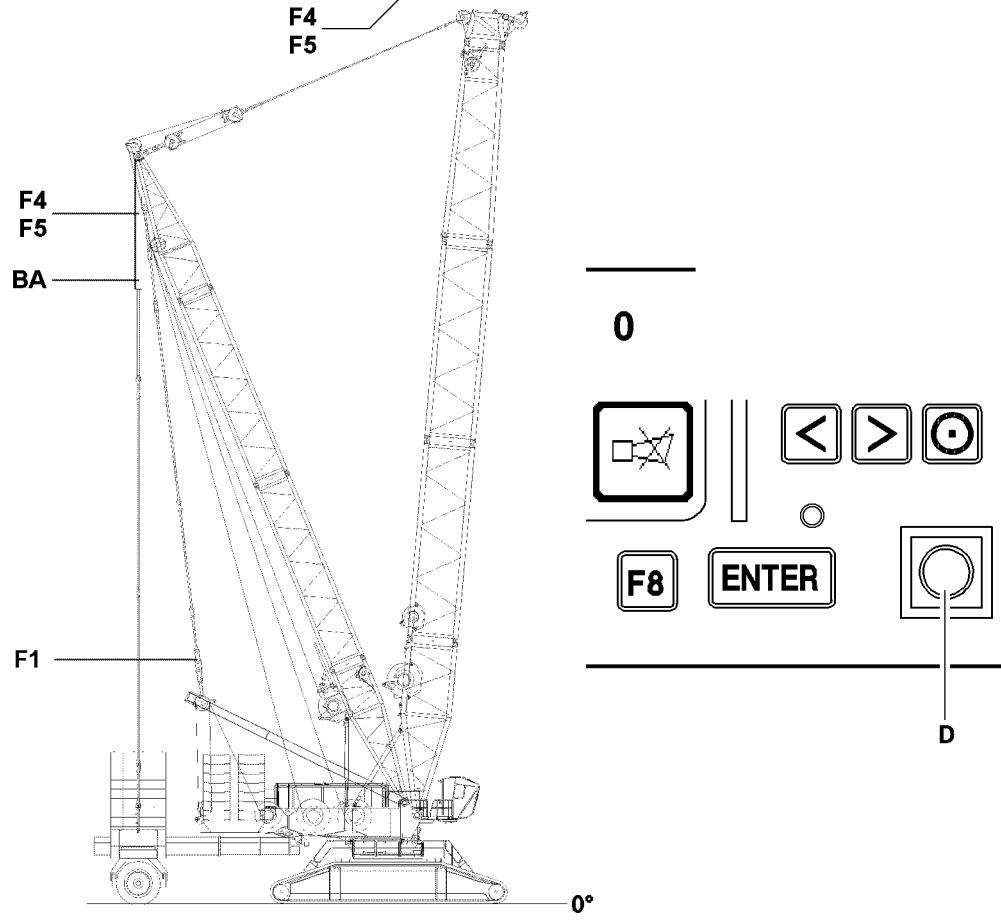
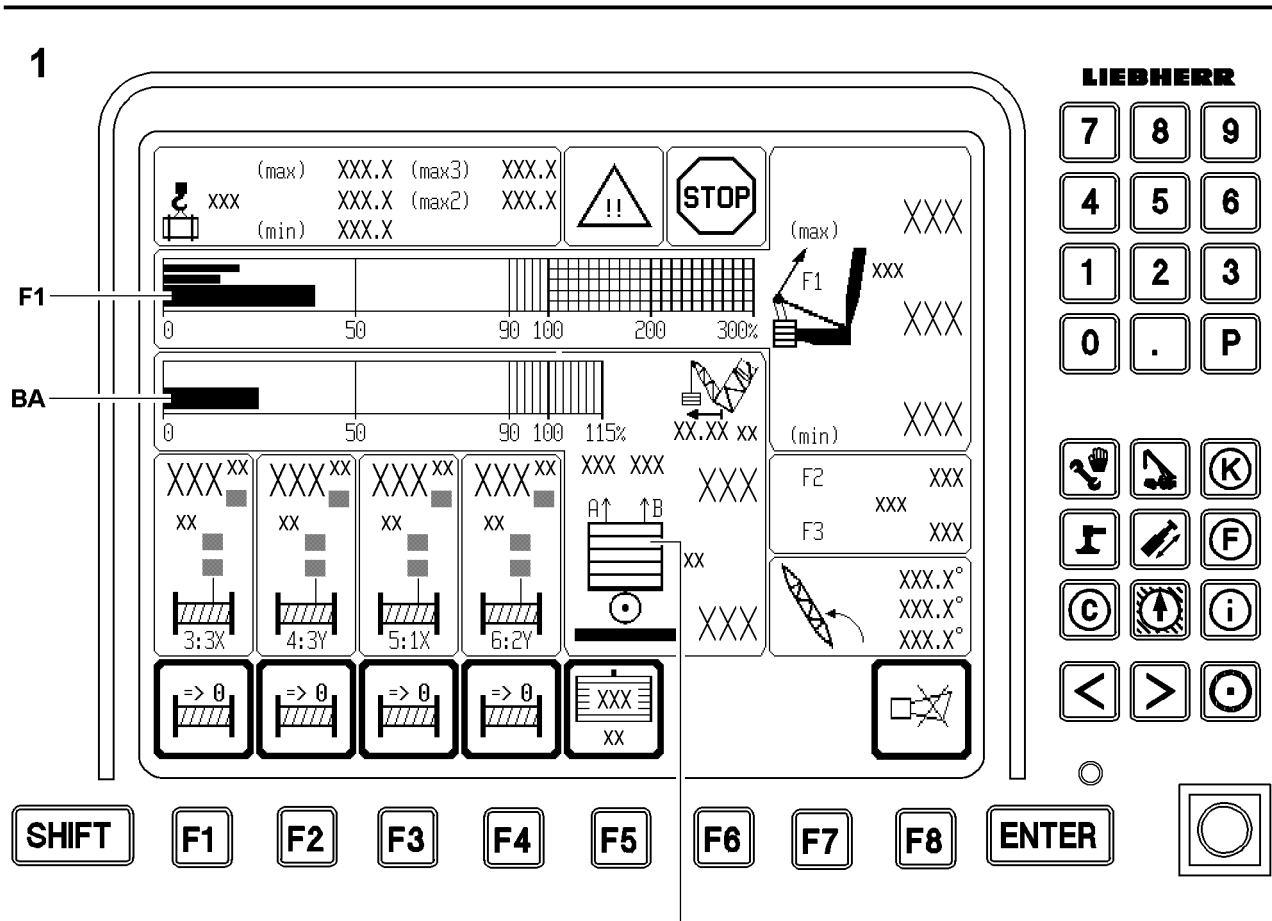


Fig.112904

LWE/LR 11350-005/19004-04-02/en

6.2 Safety guidelines



Note

- ▶ The test points must be checked before crane operation for functionality!
- ▶ The weight of the load to be lifted must be known!
- ▶ The contact area of the ballast trailer should may be no more than maximum 0.25 m above - or 0.25 m below the level of the crane base!
- ▶ The set down location of the suspended ballast trailer, at the end of the load lift, must be level, horizontal and have sufficient load bearing capacity to safely take on the weight!

NOTICE

Danger of accident!

- ▶ Before setting down the load and the suspended derrick ballast, the crane operator must make sure that a safe placement of load and suspended derrick ballast is ensured!



Note

- ▶ There may be no obstacles within the slewing range of the crane, and the derrick ballast and the load!
- ▶ When the derrick ballast is raised, it must be observed by a guide or the crane operator!



DANGER

Danger of accidents due to angular pull!

Due to angular pull, impermissible side forces are initiated in the crane, which can lead to breakage of crane parts!

If this is not observed, there is a risk of tipping when lifting with ballast plates. This could cause the crane to topple over!

- ▶ Before taking on a load or the derrick ballast, make sure that the derrick ballast, the center of rotation of the turntable and the load are on one line!

When taking on a load, the guying from the derrick ballast to the derrick head must be relieved to the point where the F1-actual force (F1-act) is larger than the F1-minimum force (F1-min).



DANGER

Danger of accident!

- ▶ The guying between the SA-frame and the derrick end section, test point 1, may never be without power!
- ▶ This can lead to uncontrolled movements of the boom system and cause an accident!

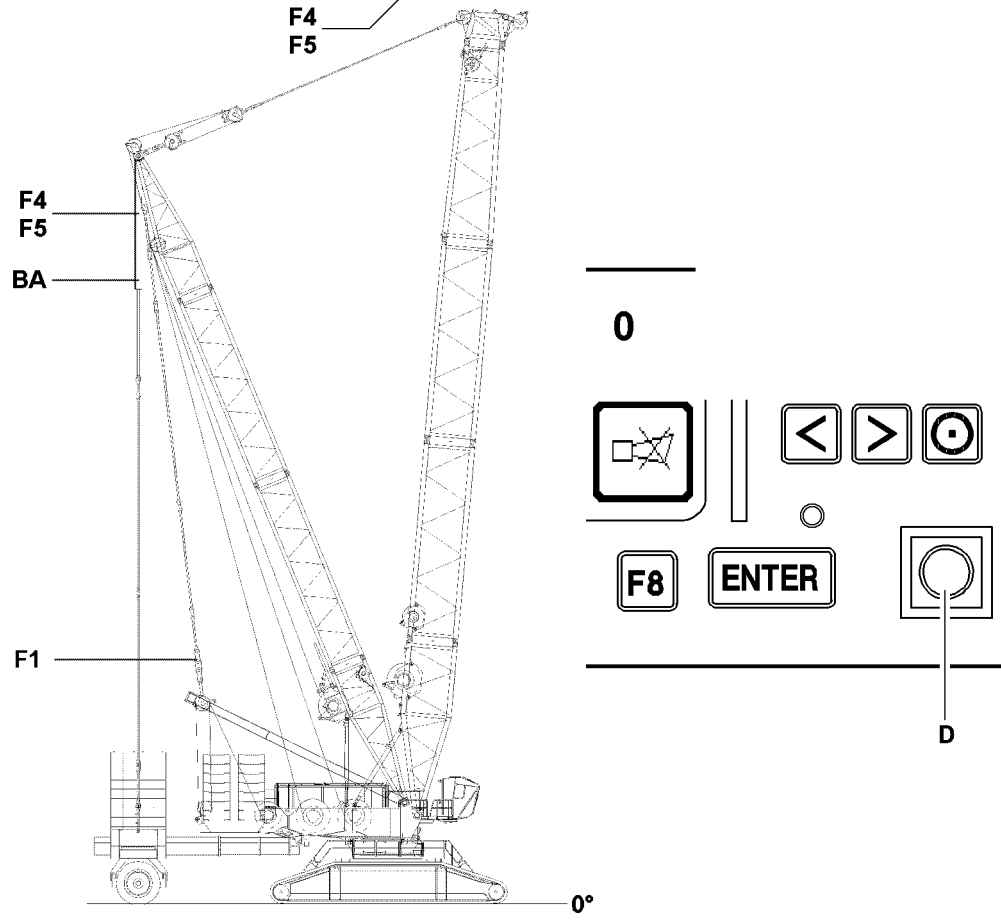
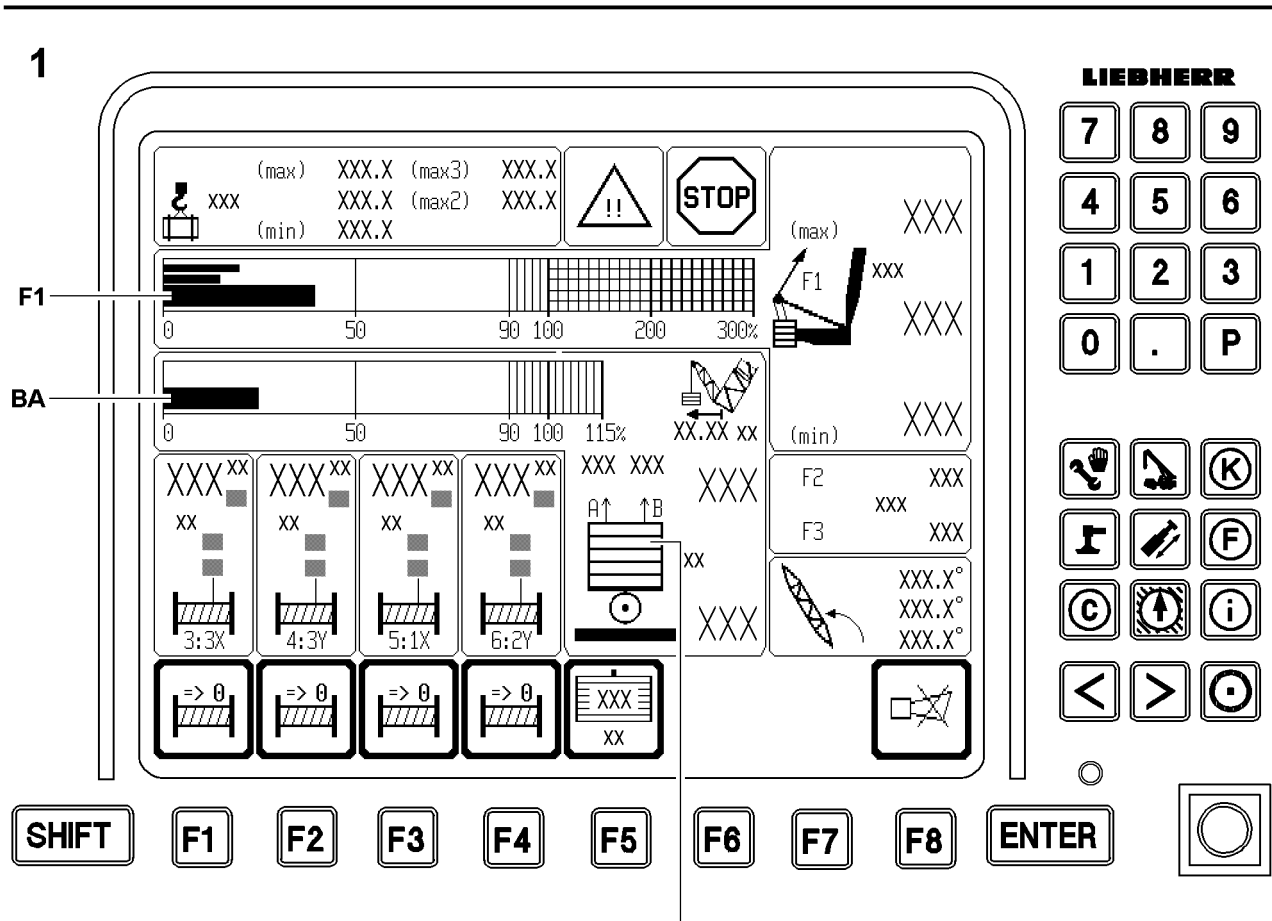


Fig.112904

LWE/LR 11350-005/19004-04-02/en

6.3 Determination of forces in operating mode with derrick ballast

In all operating modes with derrick ballast, the load on the guy rods from the derrick head to the SA-frame (F1) and to the derrick ballast (F4/5) is distributed.



Note

► See Crane operating instructions, chapter 4.02!

6.3.1 Force F1 (Test point 1) between guying SA-frame - Derrick end section

The force F1 (test point 1) is determined in the guy rods from the SA-frame to the derrick head by 2 force test boxes and is shown on the LICCON as total force of the guying.

From the operating force F1 and the force F1-operational maximum force results the F1 utilization. This is shown on the LICCON in a utilization bar (F1) in percent.

6.3.2 Force F4/5 (measuring point 4/5) guying derrick ballast - derrick head

The forces F4/5 (test point 4/5) are effective in the guy rods from the derrick ballast to the derrick head.

The existing forces in the guy rods (A = left and B = right) are calculated from the four pressure sensors, which are installed on the pull cylinders and shown in the LICCON as individual forces.

The ballast being pulled is calculated from the forces in each guying, i.e. the proportion of ballast which is pulled up by the guying. The remaining part is on the ground. The derrick ballast utilization results from the pulled ballast and the placed ballast. This is shown on the LICCON monitor with a utilization bar (BA) in percent.

Pull cylinder on block



DANGER

The crane can topple over!

By completely moving one or both pull cylinders in (block position moved in), the pressure increases strongly on the ring surface of the pull cylinder and the weighing of the currently pulled derrick ballast is incorrectly calculated and displayed!

The LICCON overload protection therefore assumes that a larger derrick ballast is pulled than is actually the case, and calculates a too large carried load as a result!

An overload of the crane is recognized too late by the LICCON overload protection and the crane can topple!

Personnel can be severely injured or killed!

- If the pull cylinder are in block position „moved in“, **crane operation is explicitly prohibited!**
- The forces in the derrick ballast guying A and B are to be carefully observed on LICCON monitor!
- Potentially encountered error reports are to be heeded!



WARNING

The LICCON overload protection shuts off too early!

By moving one or two pull cylinder completely out (block position moved out), the LICCON overload protection calculates and insufficient load-bearing capacity!

Possible shut off by the LICCON overload protection takes place too early!

- If the pull cylinders are in block position „moved out“, crane operation on the basis of the reduced load is not meaningful!

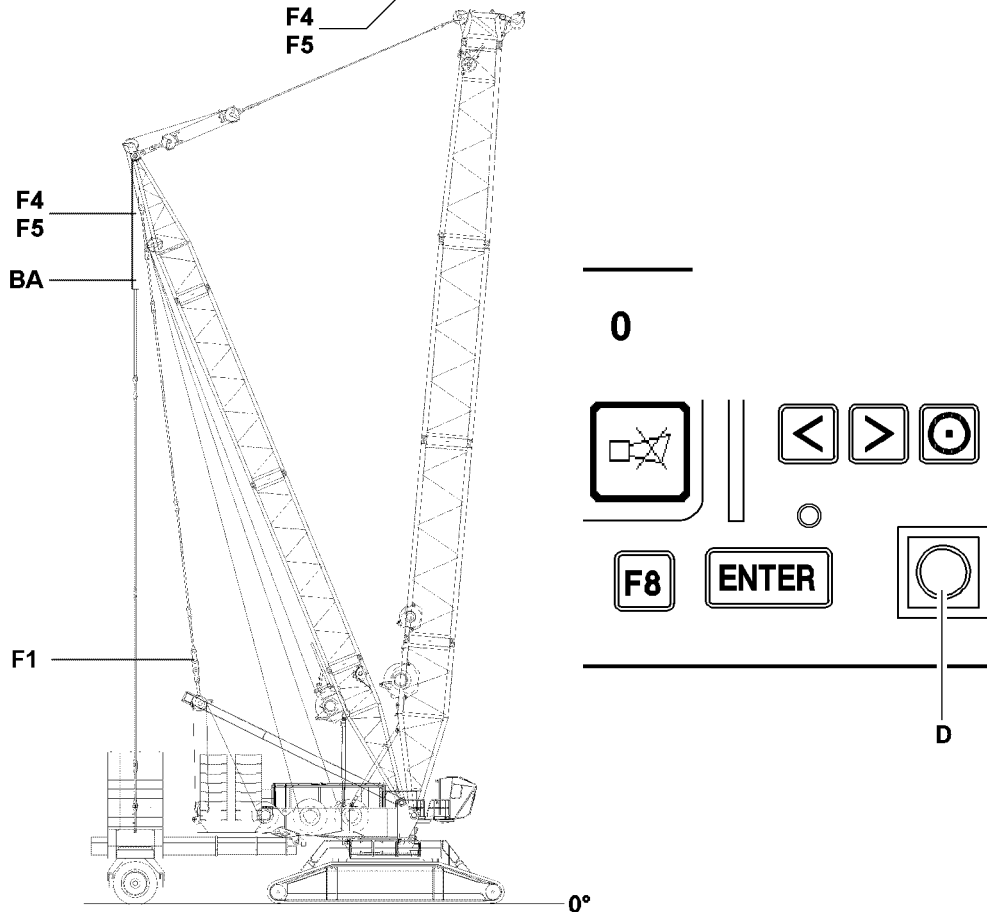
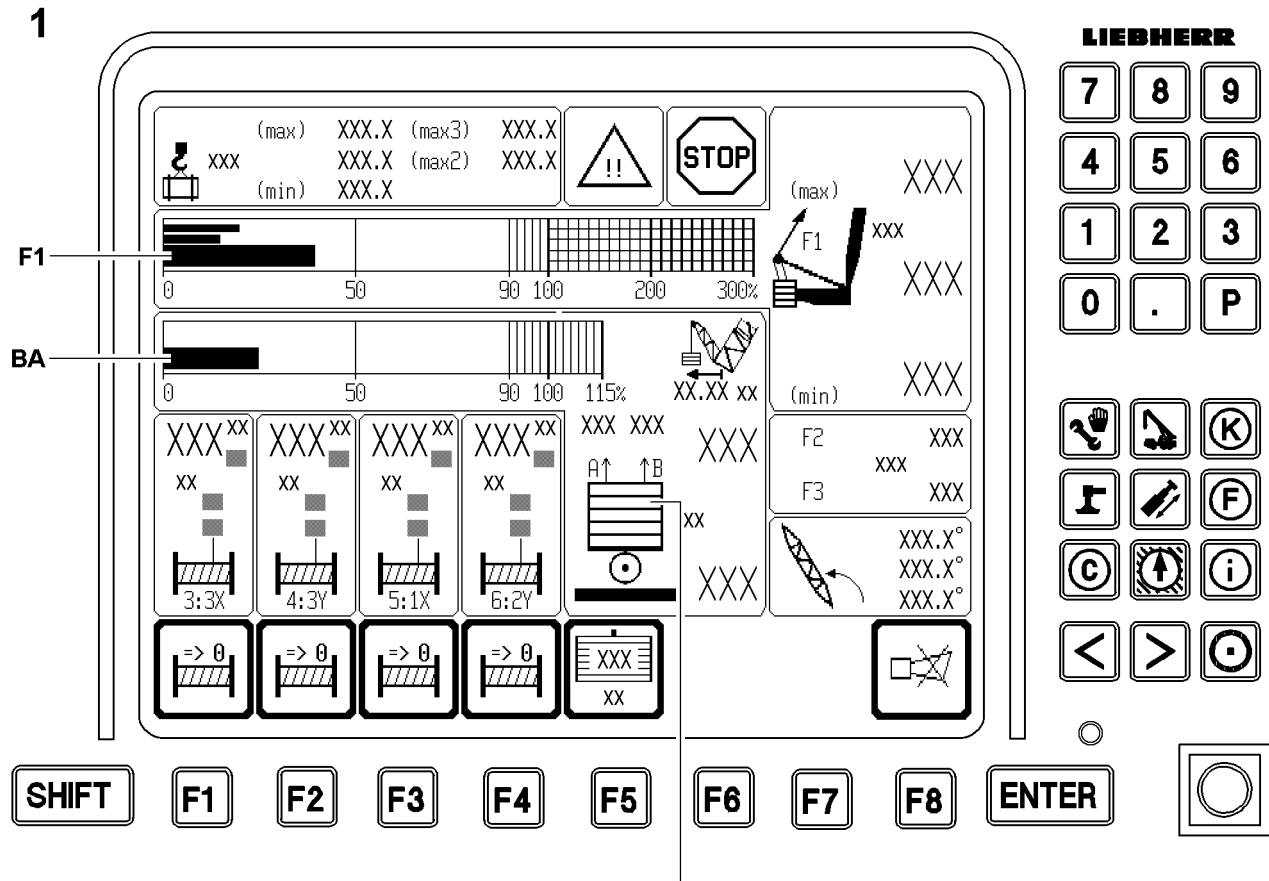


Fig.112904

LWE/LR 11350-005/19004-04-02/en

6.3.3 Monitoring of minimum force F1

If more than 50 % of the set derrick ballast is being pulled (ballast utilization bar > 50 %) and the minimum force $F_{1_{\min}}$ (test point 1) is fallen below, all crane movements that **increase load moment** are turned off.



DANGER

Danger of accident!

It is prohibited to let the minimum force $F_{1_{\min}}$ (test point 1) fall below if more than 50 % of the derrick ballast is pulled. If this is not observed, in case of force-free guying of test point 1 (F_1) and **derrick ballast on the ground**, the derrick ballast can suddenly lift off the ground due to the increased load moment and the boom system can suddenly move forward! This will result in the load swinging violently and could damage the boom and crane!

► Do not fall below the minimum force - $F_{1_{\min}}$!

If more than 90 % of the set derrick ballast is being pulled (ballast utilization bar greater than 90 %) and the force drops below the minimum value $F_{1_{\min}}$ (test point 1) fall below, all crane **movements that increase the load moment** and all **crane movements that decrease the load moment** are turned off. This also turns the „spooling out“ movement of the winch off.



DANGER

Danger of accident!

It is prohibited to fall below the minimum force $F_{1_{\min}}$ (test point 1) if more than 90 % of the derrick ballast is pulled. If this is not observed and the load torque is increased when the guying is slack at measuring point 1 (F_1) and the derrick ballast is suspended, the derrick ballast can suddenly drop to the ground, causing the boom system to suddenly lurch backwards! Thereby the relapse cylinders can be pressed on block and be overloaded. The relapse cylinders on the boom and D-boom may become damaged! This will result in the load swinging violently and could damage the boom and crane!

► Do not fall below the minimum force - $F_{1_{\min}}$!



Note

- By pressing the set up key **D**, the test point 1 - minimum force ($F_{1_{\min}}$) is reduced by several tons, this allows one to reverse the movement and retreat from the situation in which the $F_{1_{\min}}$ shut off occurred!
- This is the only exception on the crane, where, after a shut off, a load moment increasing movement may be continued with the set up key **D**!



DANGER

Danger of accident!

If the LICCON overload protection is bypassed, there is no further protection against crane overload! There is an increased danger of accidents!

Personnel can be severely injured or killed!

► The crane operator carries complete and sole responsibility for its handling upon bypass of LICCON overload protection!

After shut off via $F_{1_{\min}}$ the force F_1 on test point 1 must be increased by a movement. If the derrick ballast is suspended, this can be achieved by setting down the ballast.

If the set up key **D** is already pressed and the F_1 force continues to drop below the minimum force $F_{1_{\min}}$ which was reduced by the set up key **D**, then the $F_{1_{\min}}$ shut off can no longer be bypassed.

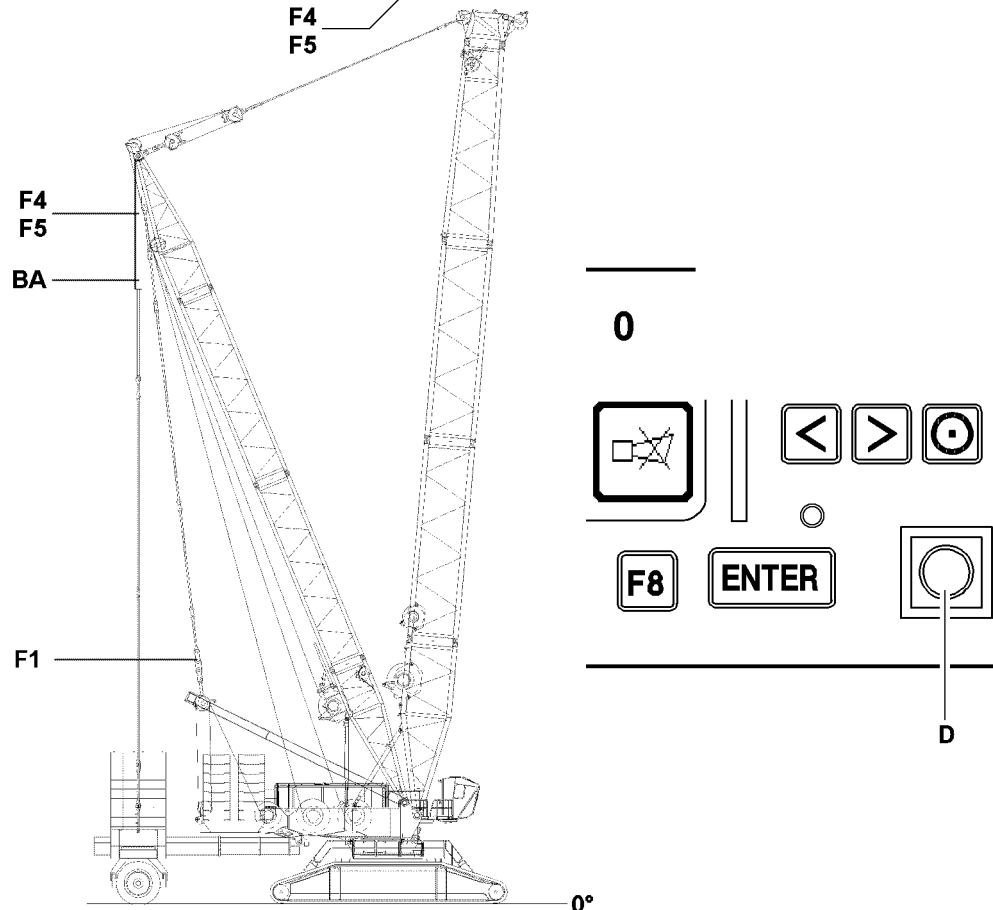
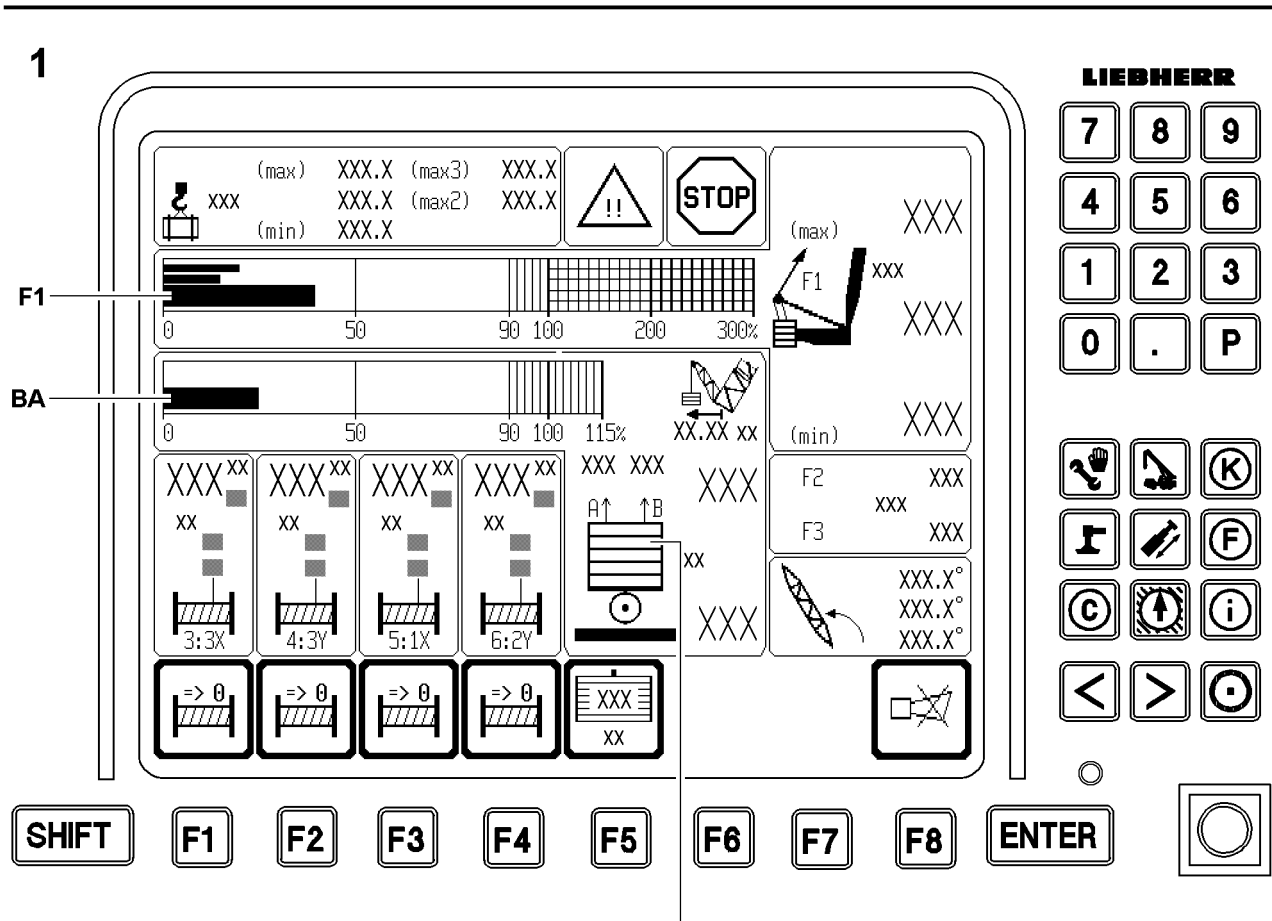


Fig.112904

LWE/LR 11350-005/19004-04-02/en

6.4 Overload monitoring in operating mode with derrick ballast

In operating modes with derrick ballast, the „Maximum load for the current crane condition“ is monitored two ways:

1. Monitoring of maximum load on the LICCON monitor 0
2. Monitoring of test point 1-operational maximum force LICCON monitor 1

6.4.1 Monitoring of maximum load on the LICCON monitor 0

It monitors the „Maximum load according to load chart and reeving“.

In operating modes with derrick ballast, this is the maximum load of the current crane condition. It is shown on LICCON monitor 0. The current utilization of the crane results from the load utilization bar (1) on LICCON monitor 0.

If the load utilization bar reaches 90 %, an advance warning is given in the form of a „Caution icon“ and a „SHORT HORN“ on LICCON monitor 0.

At 100 % on the load utilization bar, the shut off of all load moment increasing movements with the „Stop icon“ and the acoustical warning „HORN“ occurs on LICCON monitor 0.



Note

- ▶ The „maximum load of the current crane condition“ can possibly be increased further, refer to section „Utilization conditions“!

6.4.2 Monitoring of test point 1-operational maximum force (= $F1_{\max}$ operation)

It is shown on LICCON monitor 1. When $F1$ is greater than $F1_{\max\text{-shut off value}}$ shut off of all movements which could increase load moment with the stop icon and the acoustic warning „HORN“ by LICCON monitor 1.



Note

- ▶ The maximum load can be safely monitored by the „LICCON overload protection“ itself!
- ▶ The „ $F1_{\max}$ -monitoring“ is an additional monitoring function which shows the overload parallel to the „LICCON overload protection“!
- ▶ In all cases where the maximum load capacity according to the load chart „max-load“ is smaller than the maximum load of the current set up configuration with optimal derrick ballast „max3-load“, which means „max-load“ appears smaller „max3-load“, when lifting the maximum load, the monitor display looks as if the „LMB utilization bar of the crane“ is at 100 % and the „ $F1$ utilization bar“ is approximately at 100 %!
- ▶ At the just completed LMB-Stop („current load“ / „max-load capacity“ greater than 100 percent) $F1_{\text{actual}}$ already lies just over $F1_{\max}$ or just below. There is a certain tolerance due to the component weights and the wind influences. Since the maximum load can always be raised, shut off will not occur at $F1_{\text{actual}} / F1_{\max}$ greater than 100 %. Shut off will only occur at $F1_{\text{actual}} / F1_{\max\text{ operation shut-off value}}$. For this crane, the following applies: $F1_{\max\text{-operation shut off value}} = F1_{\max\text{-operation}} + F1_{\text{addition for shut off}}$ (also see Crane operating instructions, chapter 4.02). The $F1_{\text{addition for shut off}}$ is selected such that $F1_{\max\text{-operation shut off}}$ may normally never come about. This shut off provides a second safety, particularly in cases with „max-load capacity“ smaller „max3-load capacity“ as additional safety precaution. For example, if the weighed load is far too low due to a sensor failure, the actual load could be greater than the maximum permissible load without the LICCON overload protection shut off tripping. The crane could be overloaded. In this particular case, with the „max-load capacity“ smaller than the „max3-load capacity“, with $F1_{\max}$ larger $F1_{\max\text{-operation shut off value}}$ the $F1_{\max\text{-shut off}}$ triggers. In this case, the crane is already slightly overloaded, however shut off prevents an overload in certain cases or toppling of the crane. This means that the $F1_{\max\text{-operation shut off}}$ can protect the crane from overload in certain cases!
- ▶ It is to be ensured that the load weight and the shut off upon maximum load capacity function reliably!

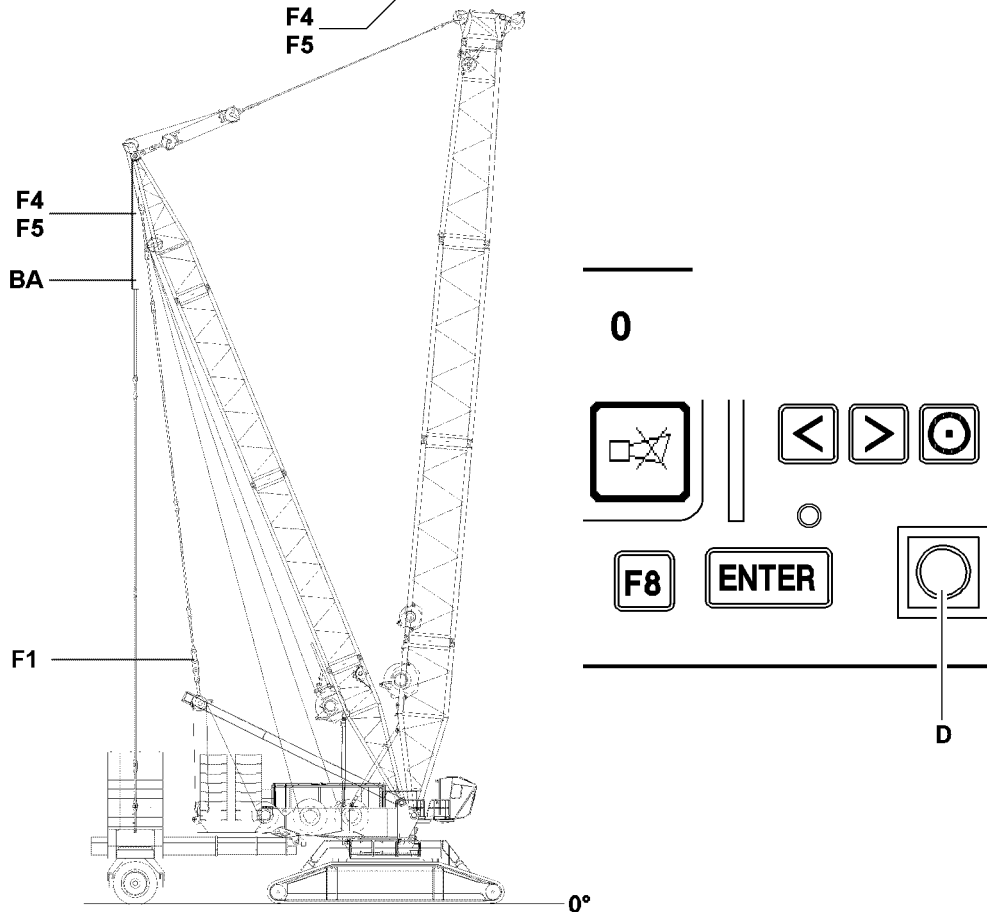
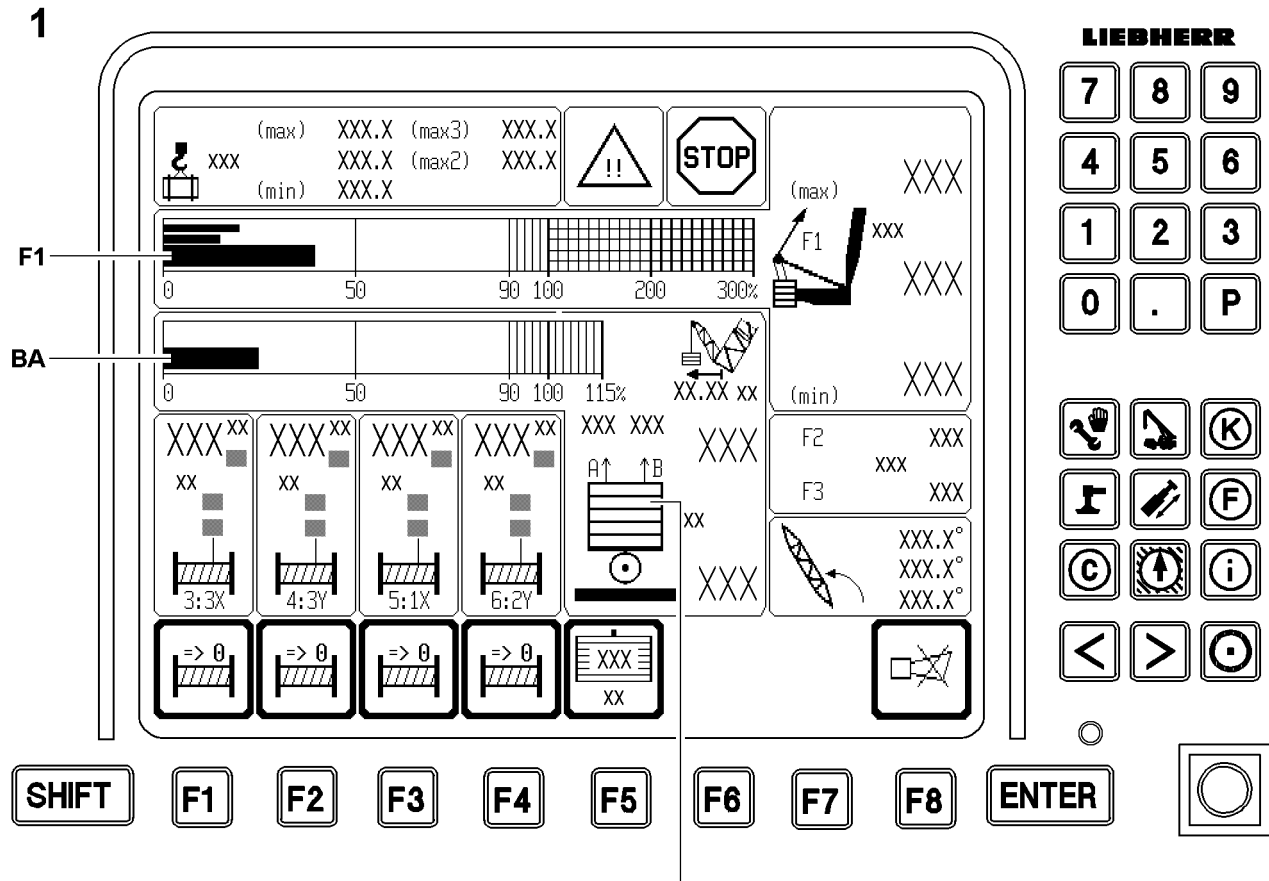


Fig.112904

**DANGER**

The crane can topple over!

In cases with „max-load capacity“ = „max3-load capacity“, the $F1_{max}$ -shut off value does not offer protection! The $F1_{max}$ shut-off threshold is so high that the crane will probably topple over or be damaged before the shut-off threshold is reached!

- ▶ Carefully monitor the displays on the LICCON monitor!

**WARNING**

Danger of accident!

- ▶ Measuring point 1-Operation-Maximum force not only depends on the current crane configuration but also on the derrick ballast pulling force measured by the pressure sensors!
- ▶ If the pulled derrick ballast increases, the maximum permitted $F1_{max}$ removes force and vice-versa!
- ▶ It is therefore important to carefully monitor the ballast weighing process and the value for the pulled derrick ballast to ensure it is plausible!

**DANGER**

The crane can topple over!

If the pulled derrick ballast value has been incorrectly determined and is too low, the calculated $F1_{max}$ may be too high and the crane could be overloaded or topple over without this becoming evident!

- ▶ Carefully monitor the displays on the LICCON monitor!

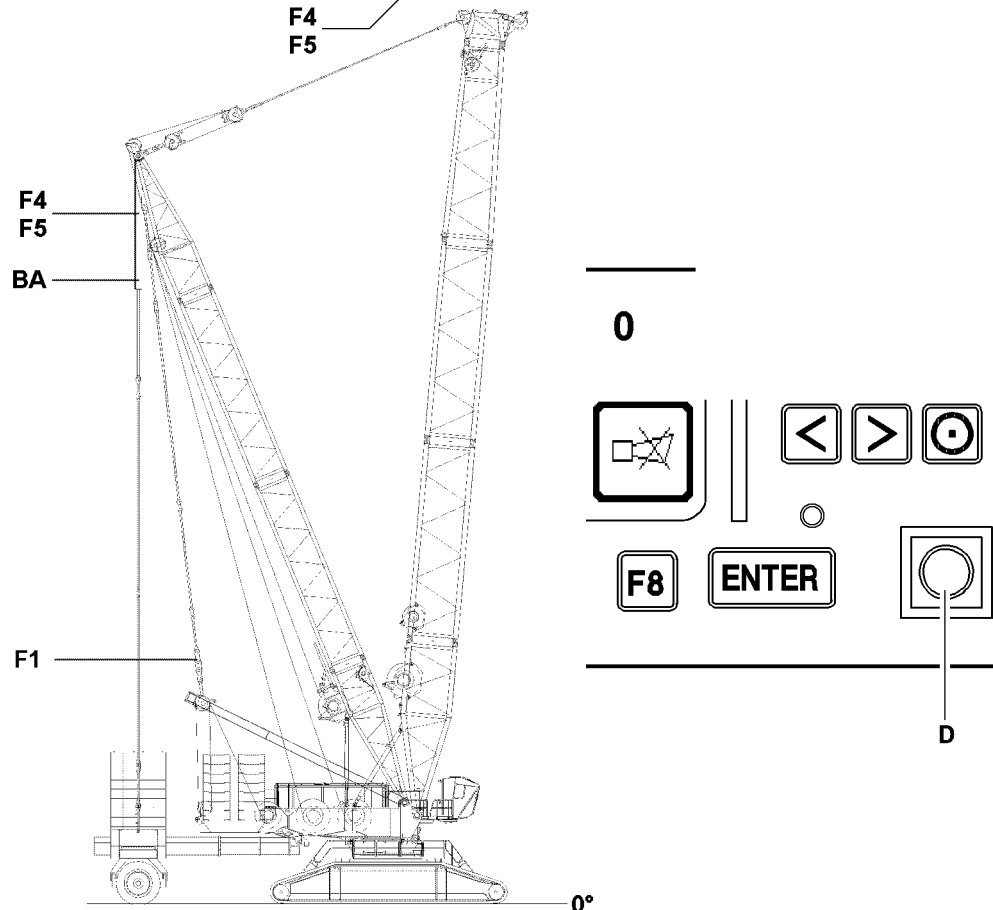
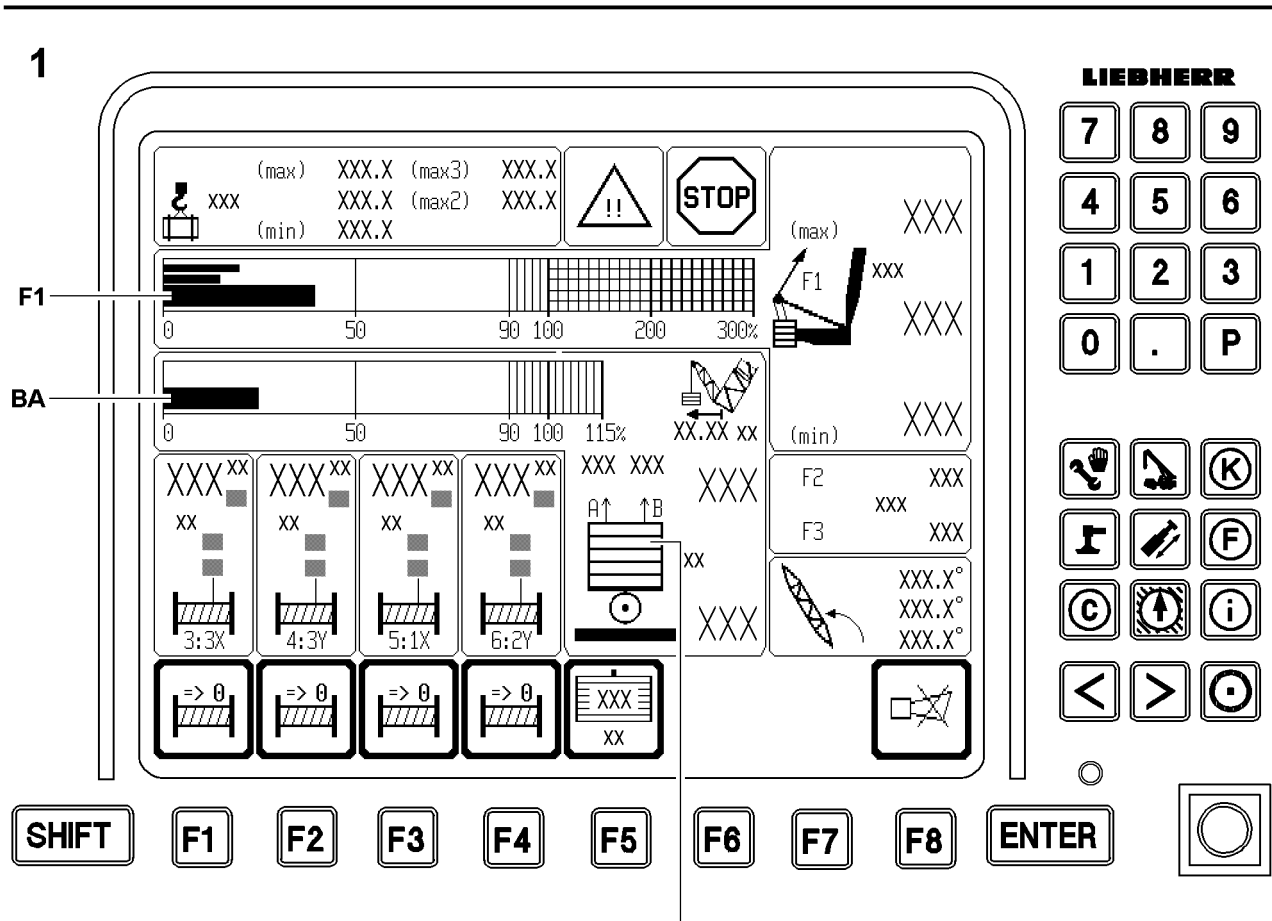


Fig.112904

LWE/LR 11350-005/19004-04-02/en

6.4.3 Utilization conditions

The current utilization of the crane results from the „utilization bar of the crane“ **1** on the LICCON monitor **0**.

Max. load carrying capacity:

- The „maximum load carrying capacity in current operating condition („**max-load carrying capacity**“)“ is achieved, when the „utilization bar of the crane“ **1** displays 100 percent.
This is the case when the „utilization of the crane according to the load chart and reeving“ reaches 100 % („Current load“ is equal to the „Maximum load capacity“).
When the „max-load carrying capacity“ is smaller or equal to the „max2-load carrying capacity“, then the „max-load carrying capacity“ can be increased through:
 - Pulling up the derrick ballast, if the derrick ballast is not already suspended and the currently pulled derrick ballast is still smaller than the optimum derrick ballast.

Max2-load carrying capacity:

- The „maximum load carrying capacity of the current crane equipment“ („**max2-load**“) is reached when the „crane utilization bar“ **1** is at 100 % **and** the „derrick ballast utilization bar display“ **BA** is greater than or equal to 100 % (the current derrick ballast is completely lifted off the ground), and the derrick ballast input value and the ballast weight are correct.
This is the case when the „current load“ and the „max2-load carrying capacity“ reaches 100 percent („current load“ is equal to the „max2-load carrying capacity“).
When the „max2-load carrying capacity“ is smaller than the „max3-load carrying capacity“, then the „max-load carrying capacity“ can be increased through:
 - Increasing the derrick ballast by adding additional ballast plates if the placed ballast is still smaller than the optimum ballast.

Max3-load carrying capacity:

- The „maximum load carrying capacity of the current crane equipment with optimum derrick ballast“ („**max3-load**“) is reached when the „crane utilization bar“ **1** is at 100 % **and** the „derrick ballast utilization bar display“ **BA** is at 100 % (the optimal derrick ballast is completely lifted off the ground), and the derrick ballast input value and the ballast weight are correct.
This is the case when the „current load“ and the „max3-load carrying capacity“ reaches 100 percent („current load“ is equal to the „max3-load carrying capacity“).
Here, the optimal derrick ballast is already entirely pulled!
Further increasing the derrick ballast at this derrick ballast radius will not increase the permitted load as the „max3-load carrying capacity“!



Note

- ▶ It may be possible to increase the load capacity by increasing the derrick ballast radius or in some cases by reducing the derrick ballast radius, see load chart or the LICCON job planner!

This also applies with:

- „Current load“ equal to „max-load carrying capacity“.
- „Current load“ equal to „max2-load carrying capacity“.

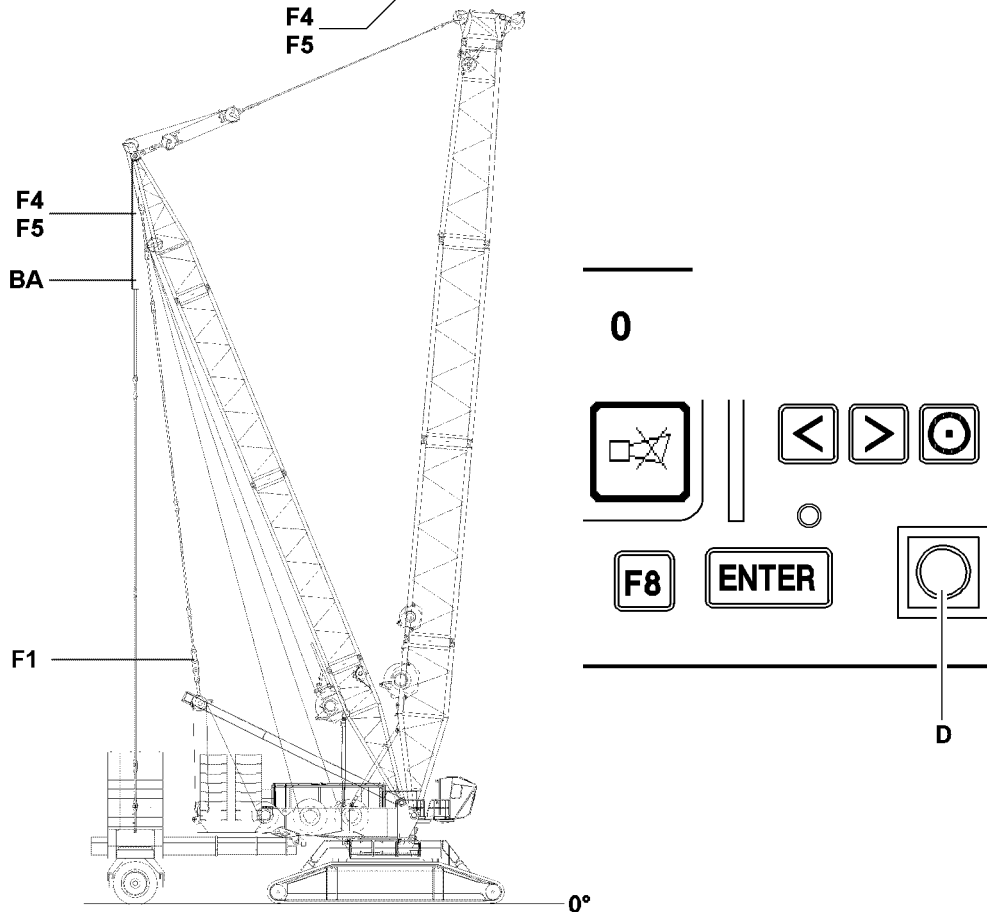
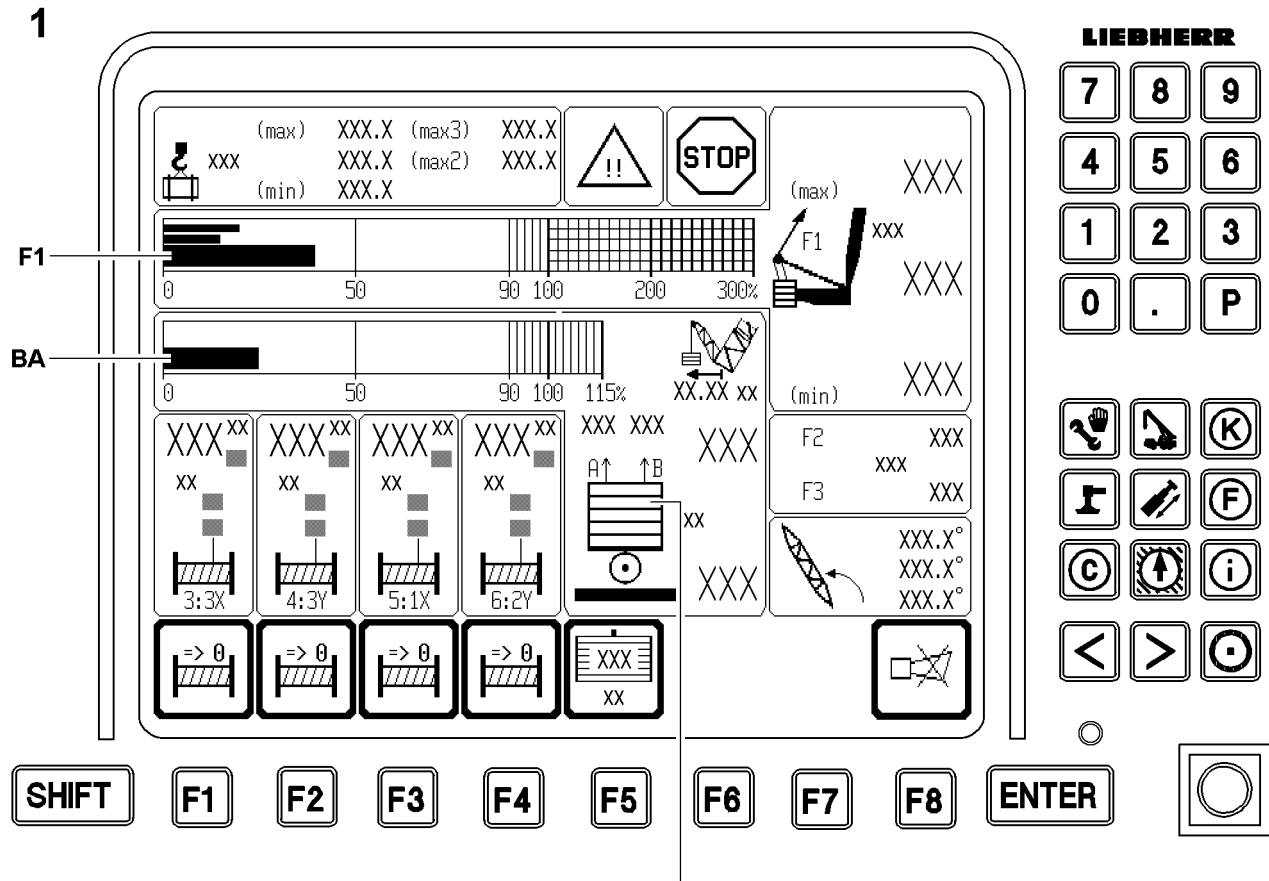


Fig.112904

LWE/LR 11350-005/19004-04-02/en

**Note**

- ▶ The maximum permissible load moment can be exceeded with the set up key **D** on LICCON monitor 0, see Crane operating instructions, chapter 4.20.
- ▶ $F1_{\text{max-assembly}}$ (Assembly max. force on test point 1) cannot be bypassed.

**WARNING**

Assembly with turned on set up key!

When the set up key **D** is engaged, the LICCON overload protection is exceeded!

In the event of deliberate improper use, the crane could collapse, the boom can break off or the crane can topple over!

Personnel can be severely injured or killed!

This could result in high property damage!

- ▶ The set up key **D** may only be actuated by persons who know the effects of a bypass!
- ▶ When the set up key **D** is turned on, only load moment reducing crane movements may be carried out until a permissible operating and load range!
- ▶ Press the set up key **D** only when the set up status was correctly entered into the LICCON computer system!
- ▶ The set up key **D** must be turned off immediately after reaching the permissible load range!
- ▶ The crane operator carries complete and sole responsibility for his actions if the LICCON overload protection is exceeded!
- ▶ Crane operation with the set up key **D** turned on is strictly prohibited!

**Note**

- ▶ The movement „Derrick ballast up“ or „Derrick ballast down“ requires utmost attention by the crane operator!

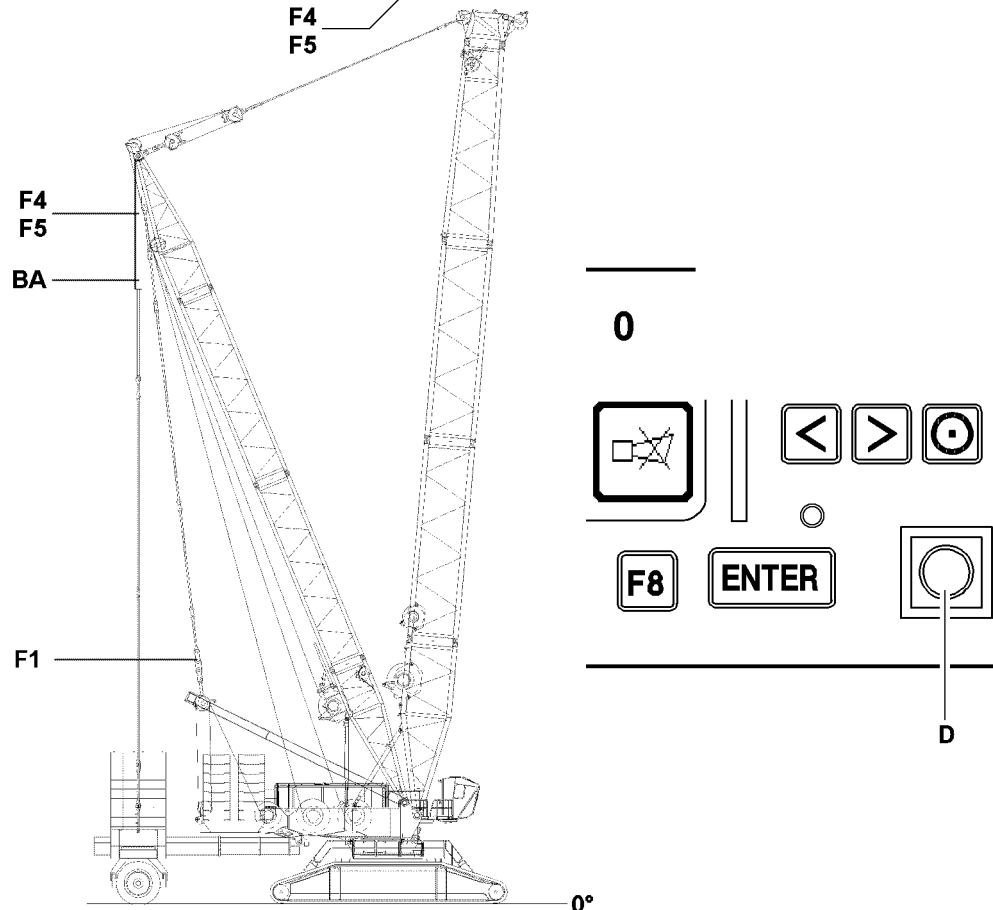
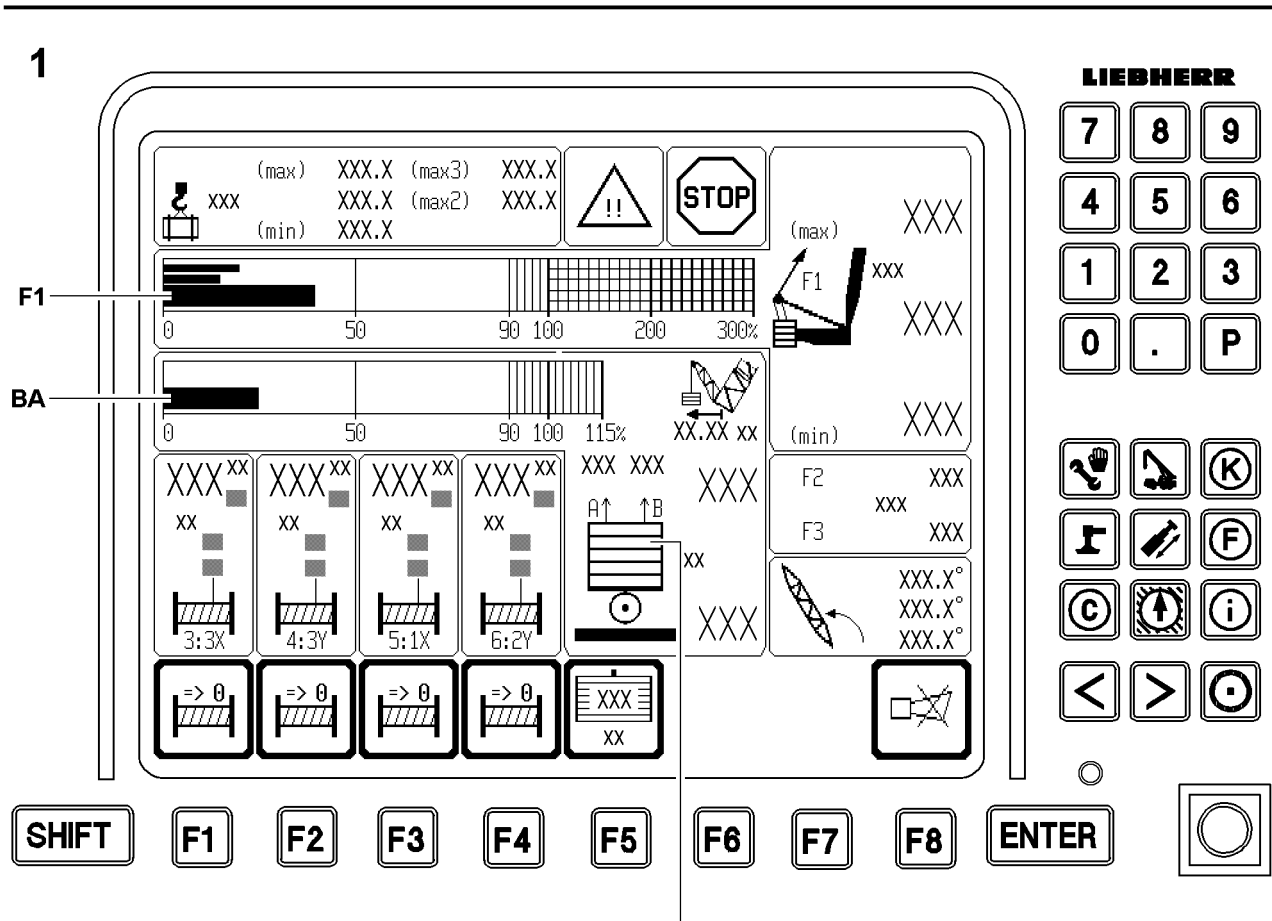


Fig.112904

LWE/LR 11350-005/19004-04-02/en

6.5 Checking the length sensor values on the ballast trailer

When telescoping the derrick ballast in and out, the derrick ballast radius display must be monitored carefully.

When telescoping the derrick ballast, the display must change according to the movement. This allows the crane operator to immediately notice if the length sensor rope drum jams when spooling in or out.

When the derrick ballast is extended or retracted all the way, the derrick ballast display must show almost the exact end position, for example Radius = 15 m or 20 m.

The crane operator may not rely blindly on the derrick ballast radius measurement, but he must think for himself and check, if the measurement is still working correctly.



DANGER

Danger of accident!

If the derrick ballast radius is measured incorrectly, due to the incorrect radius a maximum load capacity and a F1-operational-max force which are too large will be calculated!

- ▶ The crane will be overloaded unnoticed!
 - ▶ There is an increased danger of accidents!
-

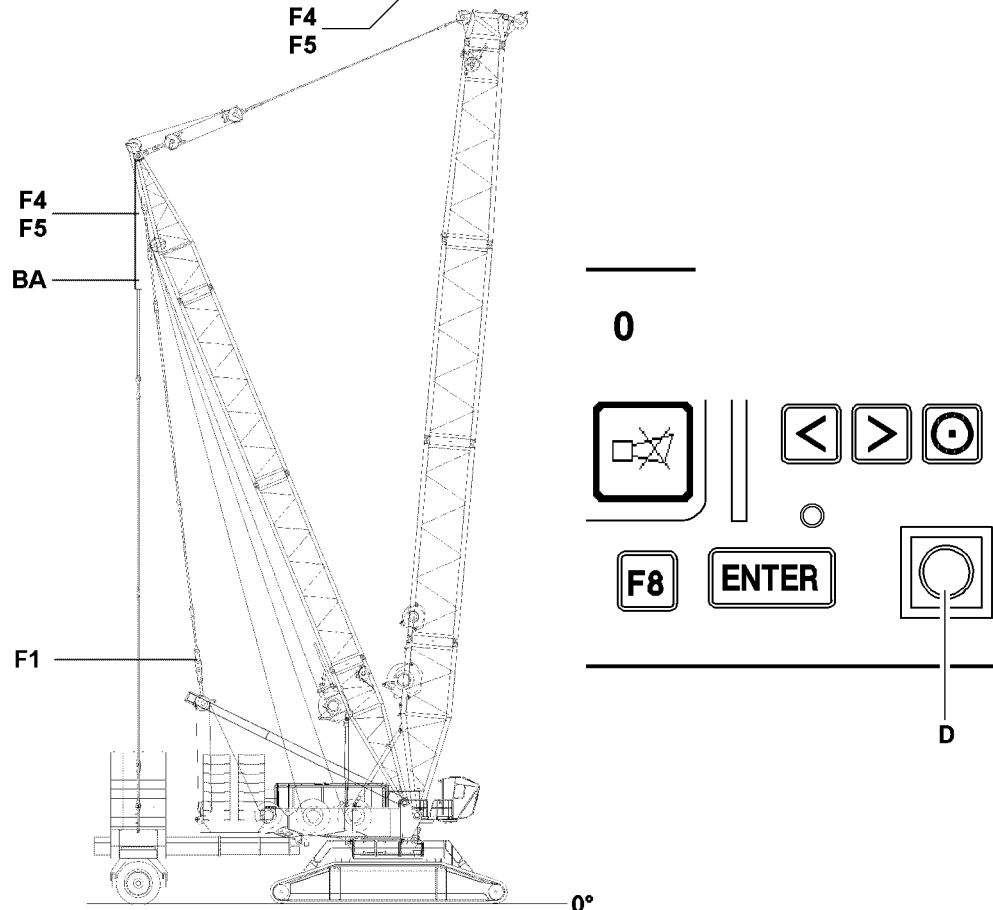
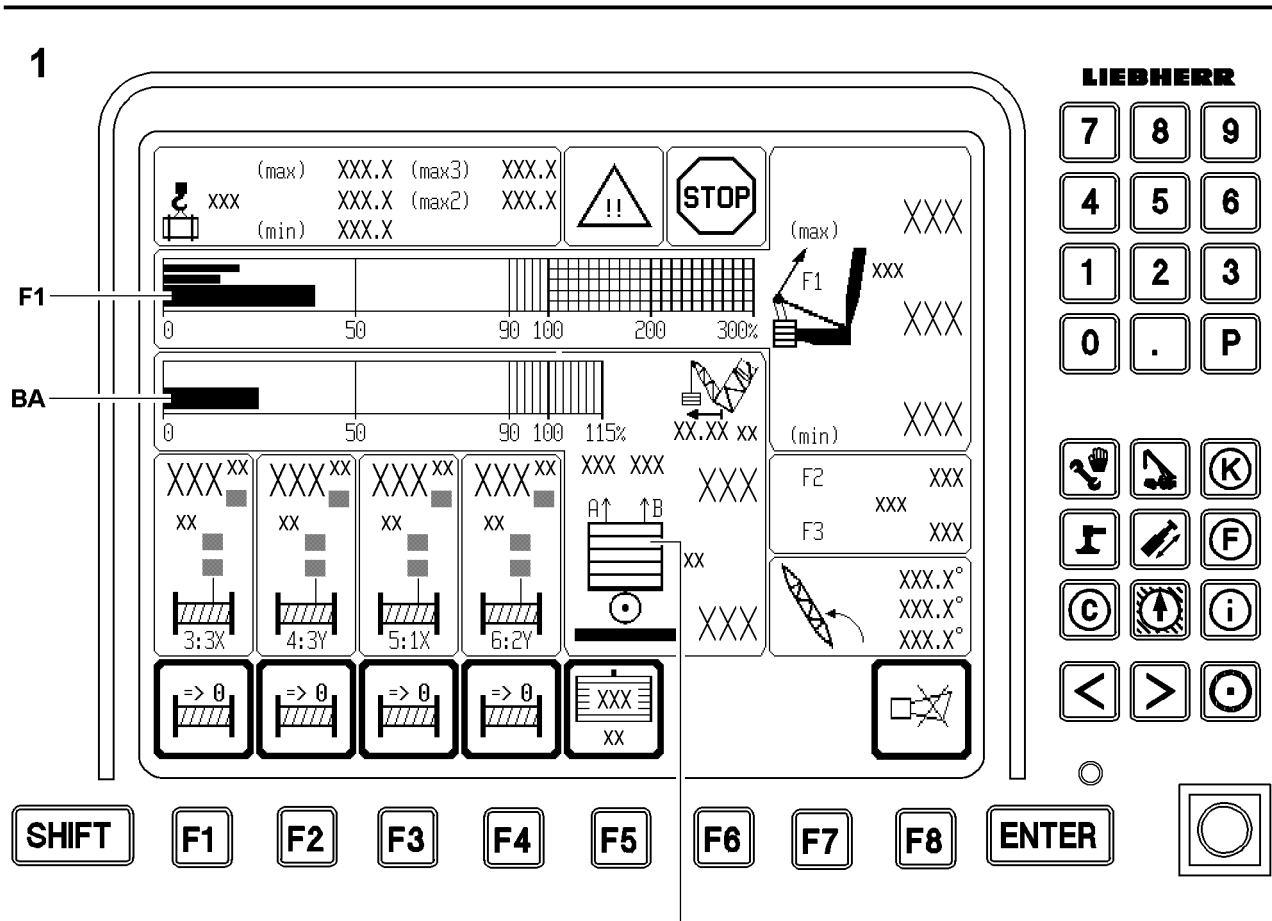


Fig.112904

6.6 Difference force monitoring of ballast guying

In operating modes with derrick ballast, the difference of the forces of derrick ballast guying A and B is monitored on LICCON monitor 1.



DANGER

Danger of accident!

If the difference of these forces is too high, it will damage the derrick end section or other crane components!

► Risk of accident!

The forces in the derrick ballast guyings A and B are shown and compared on monitor 1. If the difference exceeds a permissible value, an acoustical warning is issued and the two force values blink. However **none of the movements are turned off**.

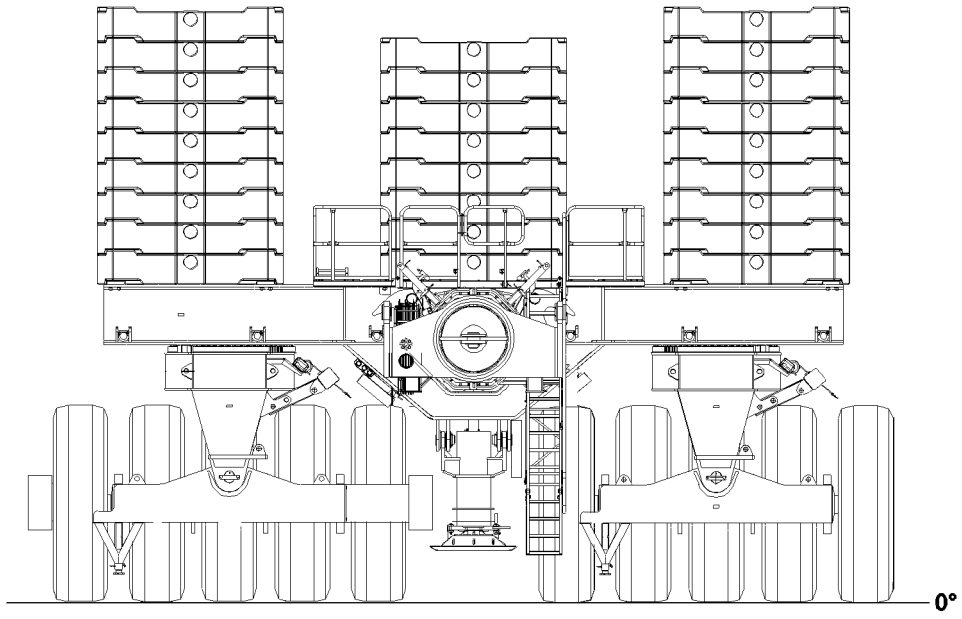
If the difference of the forces of the derrick ballast guyings A and B exceeds the specified limit value, then this can have various causes:

- Taking on the load by relieving the tires on the ballast trailer or flexation of the turntable.
- The ground under the derrick ballast is uneven.
- The crane is standing slanting sideways.
- The derrick ballast is loaded one-sided.
- The force measurement in one guying is incorrect.

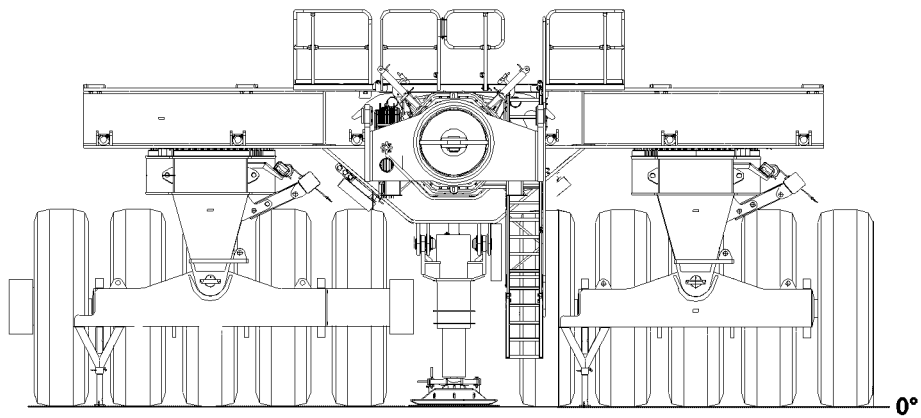
The crane operator must recognize the correct cause and take countermeasures:

- Error message appears.
- The error, which caused the one-sided force, must be remedied.
- In case of small ground unevenness only, the following measure is permissible:
Lock one ballast cylinder and with the other ballast cylinder actuate „Derrick ballast up“ or „Derrick ballast down“ in such a way that the difference between the forces becomes smaller. Ensure that the derrick ballast is not tilted at an impermissible angle with respect to the crane, otherwise the derrick ballast guide and components will be damaged.
- In case of implausible sensor values: Check whether the ballast weighing pressure sensors or inputs are faulty. If necessary, detach the sensor or replace the CPU.

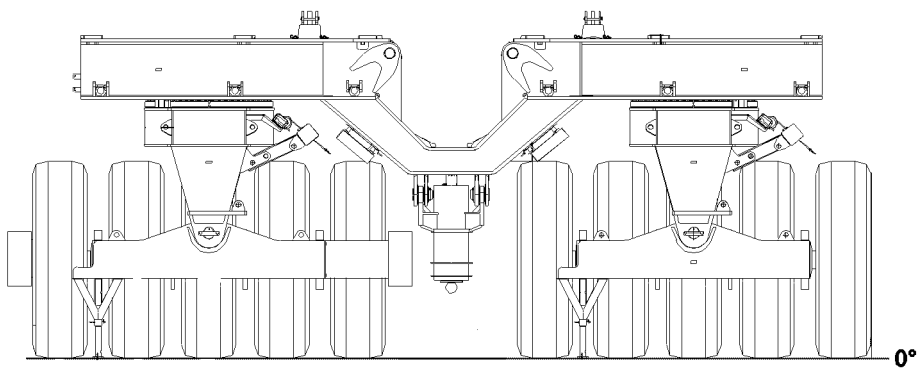
1



2



3



4

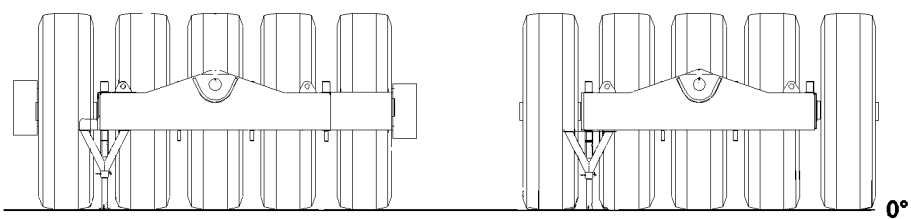


Fig.107174

LWE/LR 11350-005/19004-04-02/en

7 Disassembly

Make sure that the following prerequisites are met:

- The placement surface for the derrick ballast must be level, horizontal and of sufficient load carrying capacity.
- The hydraulic, telescopic guide on the ballast trailer is fully telescoped in.
- The derrick radius and the ballast radius are identical.
- An auxiliary crane and an aerial platform are available.



WARNING

Danger of toppling the ballast stack!

The placement surface for the derrick ballast must be level, horizontal and of sufficient load bearing capacity, otherwise the ballast stacks can tip over!

Personnel can be severely injured or killed!

- ▶ Check the horizontal position of the crane during the set down procedure!
- ▶ Check the horizontal position of the derrick ballast during the set down procedure!
- ▶ Constantly check the differential forces in the D-guying on the LICCON monitor!
- ▶ It is strictly prohibited for anyone to stand under the derrick ballast or in any part of the danger zone during the set down procedure!



DANGER

Danger of tipping over!

If the ballast trailer is uninned on the turntable, there is a danger of tipping over!

- ▶ Before unpinning, it must be ensured that the maximum or minimum ballast weights has been placed on the ballast trailer according to section „Placement and tipping safety for non-assembled ballast trailer on turntable“!
- ▶ Observe the maximum and minimum ballast weight!
- ▶ Support the ballast trailer before unpinning!

7.1 Short description of disassembly procedure



Note

- ▶ The short description of the disassembly procedure is only intended as an overview!
- ▶ In addition, the complete disassembly/assembly description must be read and understood!

– Illustration 1

- Set down the ballast plates and unpin the ballast trailer from the turntable.

– Illustration 2

- Unpin the guide on the ballast frame.

– Illustration 3

- Support the wheel sets with the support legs.

– Illustration 4

- Unpin the right and left wheel set and place the ballast frame in the transport position.

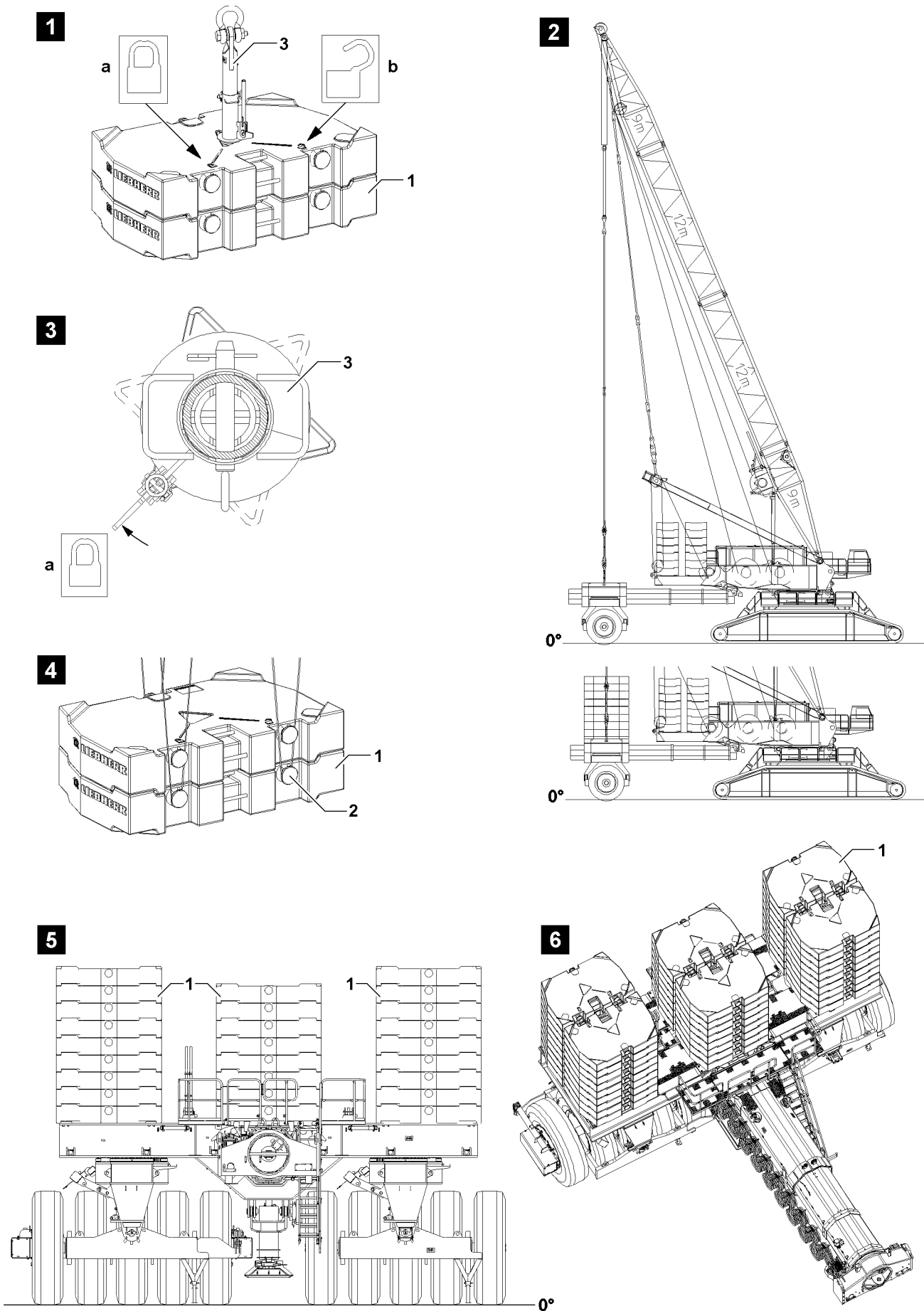


Fig.109594

LWE/LR 11350-005/19004-04-02/en

7.2 Removing the ballast

The ballast plates are marked with their own weights:

- Ballast plate **1** 10 t.

Make sure that the following prerequisites are met:

- The ballast trailer is pinned and secured to the turntable on both sides, see illustration **2**.
- The derrick guy rods are pinned and secured on both sides.
- The hydraulic, telescopic guide on the ballast trailer is fully telescoped in.



DANGER

Danger of accident!

If more than the specified loads are lifted with the receptacle stud **3** or the rope over the studs **2**, then components will be overloaded!

Ballast plates **1** can fall down and fatally injure personnel!

- ▶ Lift no more than maximum 20 t with the receptacle stud **3**, see illustration **1**!
- ▶ Lift no more than maximum 20 t with the ropes, 3 fastening points, see illustration **4**!



Note

- ▶ Position **a**, folded out lever points to the closed icon = receptacle stud **3** closed!
- ▶ Position **b**, folded out lever points to the open icon = receptacle stud **3** open to move in / out!

Ensure that the following prerequisite is met for lifting with the receptacle stud **3**:

- The receptacle stud **3** must be in position **a**: „receptacle stud **3** closed“, see illustration **3**.



Note

- ▶ The maximum or minimum ballast weights required for tipping safety of the ballast trailer must remain on the ballast trailer!
- ▶ Make sure that the maximum or minimum ballast weights is placed, according to section „Placement and tipping safety for non-assembled ballast trailer on the turntable“.
- ▶ Lift the ballast plates **1** individually or as an assembly, see illustration **1** and illustration **4**.
- ▶ Remove the ballast plates **1** evenly from the ballast trailer with the auxiliary crane until the maximum or minimum ballast weight is reached.

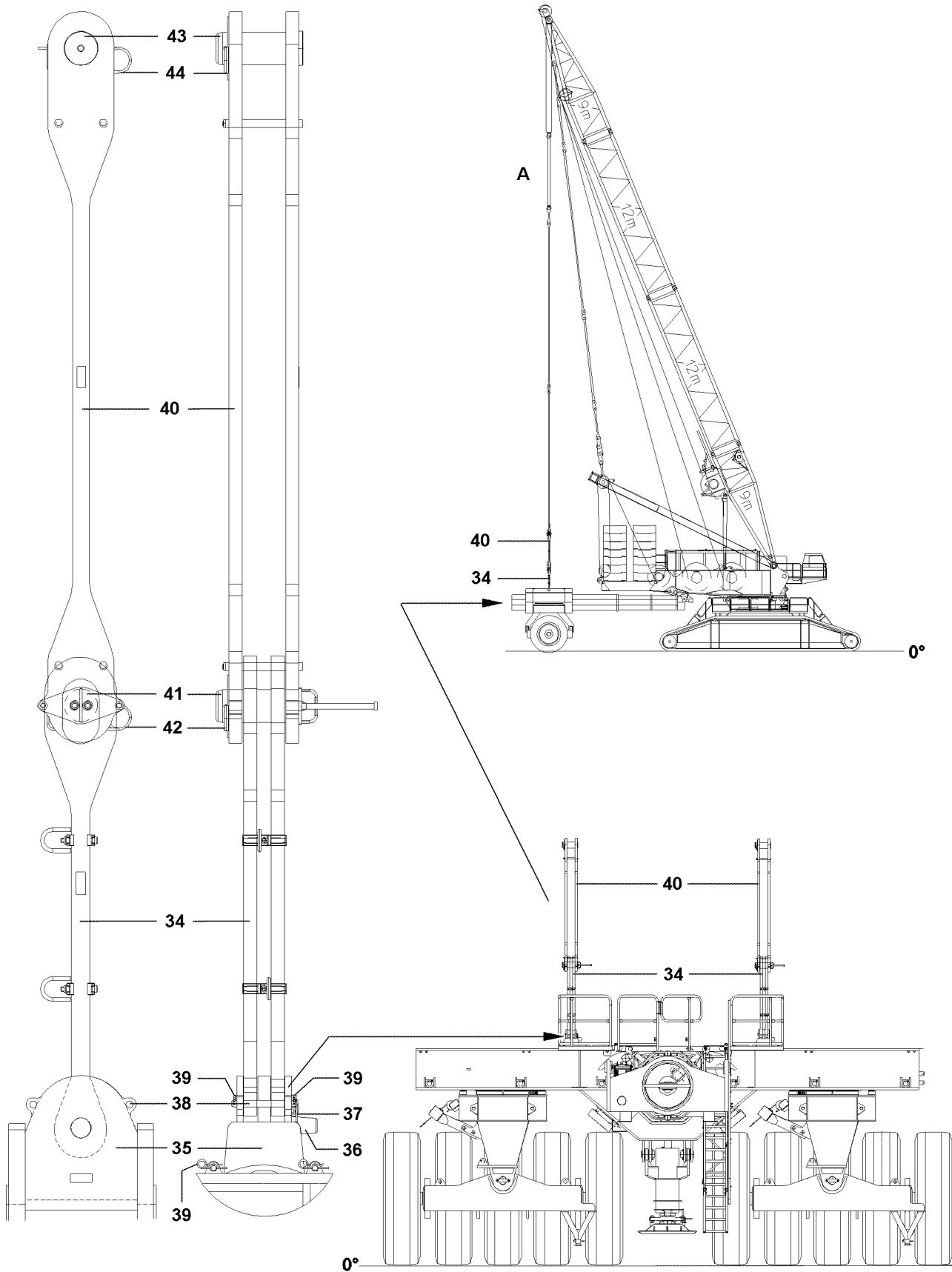


Fig.103786

LWE/LR 11350-005/19004-04-02/en

7.3 Disassembling the D-guy rods

Make sure that the following prerequisites are met:

- The derrick radius and the ballast trailer radius are identical.
- The guy rod hangs vertically.
- An auxiliary crane is attached on the guy rod **34**.
- The guy rods are relieved by extending the cylinders.
- The hydraulic, telescopic guide on the ballast trailer is fully telescoped in.



DANGER

Risk of accidents due to oscillation of the D-guy rods!

The D-guy rods must hang vertically before removal!

- ▶ Set the derrick and the ballast trailer to the same radius!
 - ▶ If this is not possible, secure the D-guy rods with the auxiliary crane!
-
- ▶ Unpin the D-guy rods **40** on the guy rods **34**.
 - ▶ Remove the cotter pin **42**, unpin the pin **41**, retract the cylinder and pull the guy rods up.
 - ▶ Unpin the guy rods **34** which are being held with an auxiliary crane on the brackets **35**.
 - ▶ Remove the cotter pin **39** and unpin the retaining pin **38**.
 - ▶ Remove the spring retainer **37** and unpin the pin **36**.

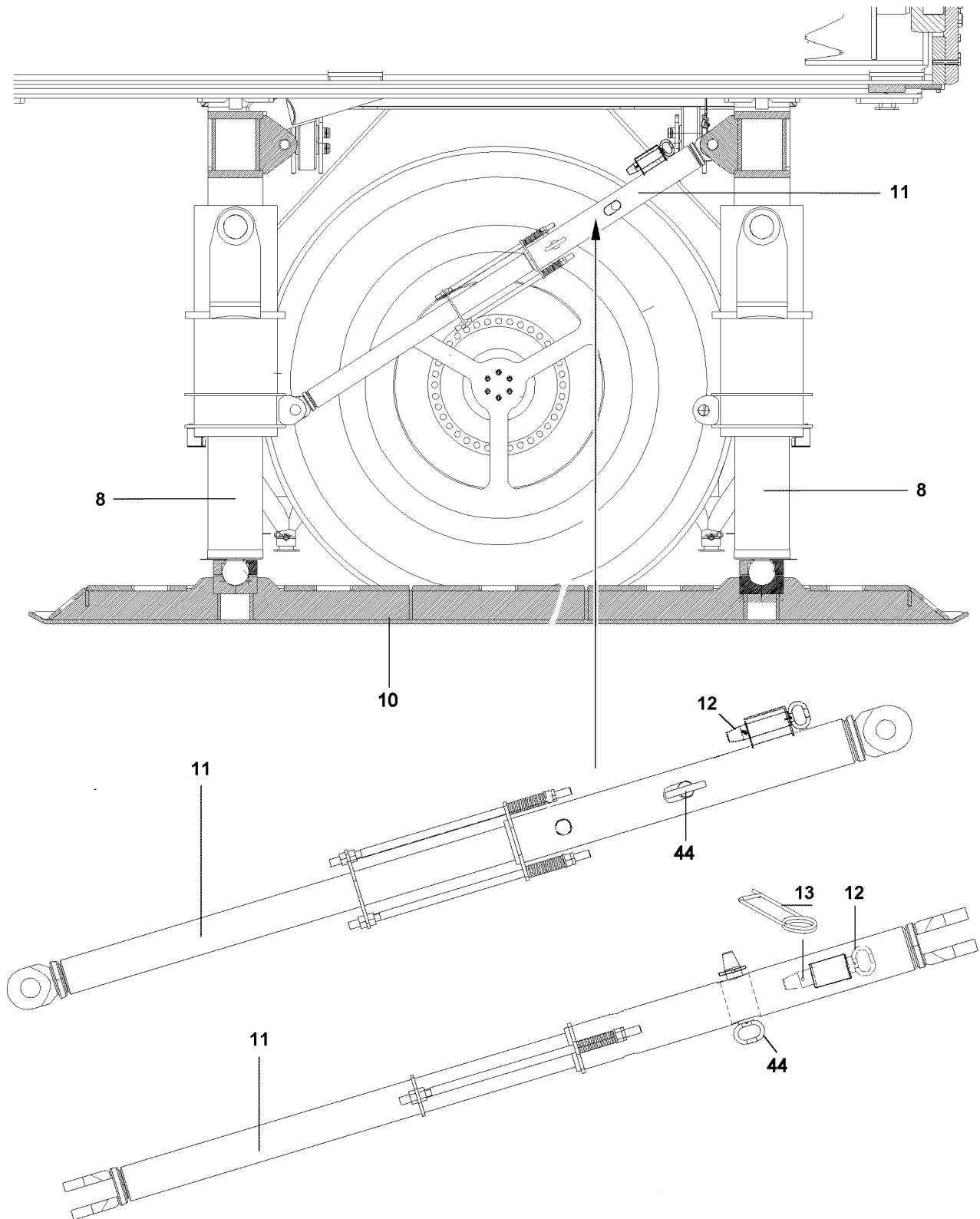


Fig.106860

7.4 Supporting the ballast trailer

Make sure that the following prerequisites are met:

- The ballast trailer is pinned on the turntable.
 - The ballast plates are ballasted down to the maximum or minimum ballast weights required for the tipping safety.
 - The guy rods have been removed.
 - The crane is aligned in horizontal direction.
 - The pin **44** is inserted in the slot.
 - The locking pin **12** is unpinned, inserted in the transport retainer and secured with spring retainer **13**.
- ▶ Place the support plate **10** under the support cylinder **8**.
- ▶ Extend the piston rod of the support cylinders **8** and enter into the receptacle of the support plate **10**.



Note

- ▶ For assembling the support plates, see section „Assembly of support plate“!
-
- ▶ Check the moved out support cylinder visually.

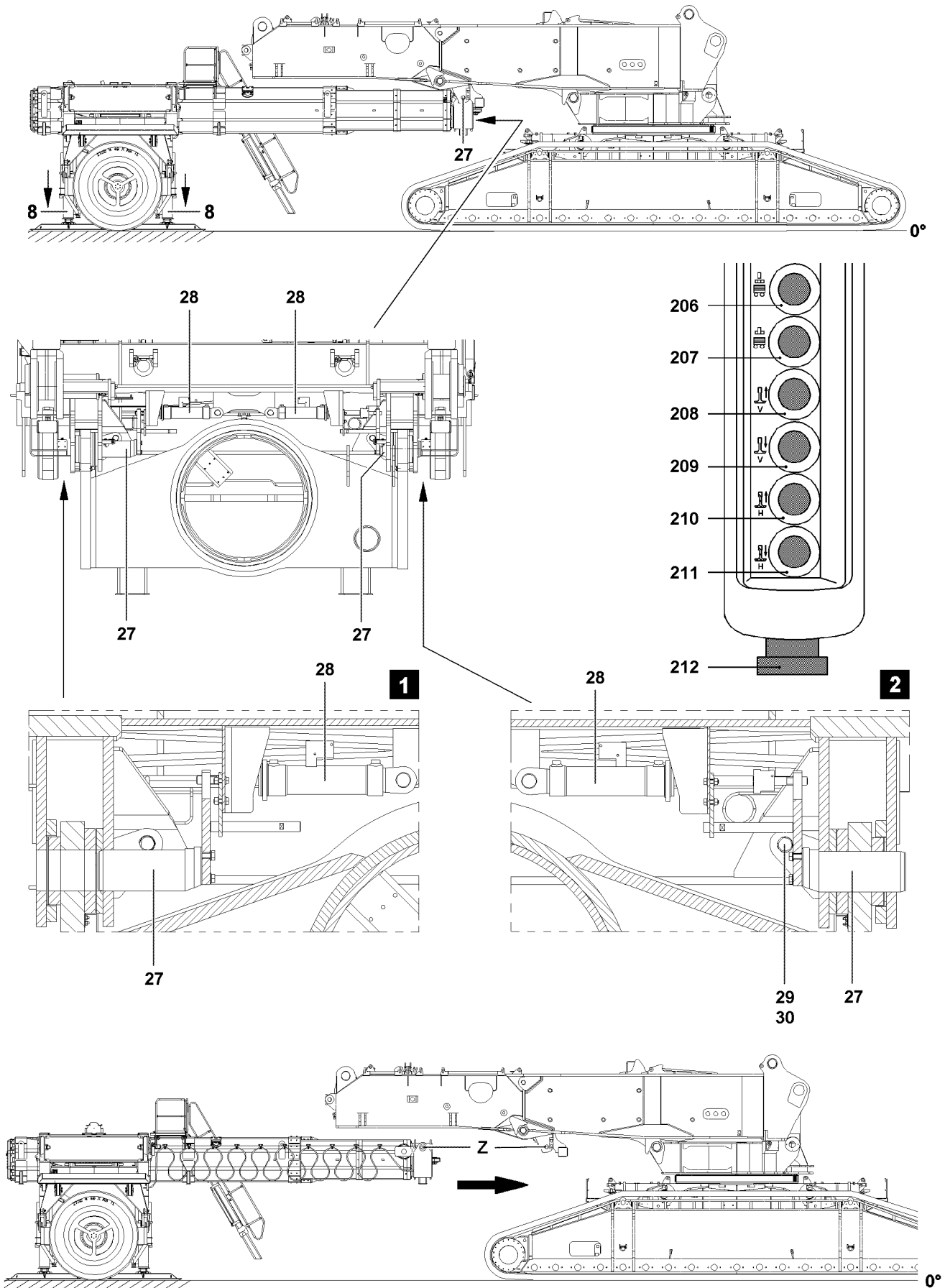


Fig.106912

LWE/LR 11350-005/19004-04-02/en

7.5 Unpin the ballast trailer guide on the turntable

Make sure that the following prerequisites are met:

- The ballast trailer is supported on the front and the rear.
- The pin **44** is pinned in the slot of the strut.
- The hydraulic and electrical connections are established.

7.5.1 Unpinning procedure

- ▶ Remove the spring retainer **30** and unpin the retaining pin **29**.
- ▶ Press the button **206** and unpin the pins **27** on both sides with the cylinders **28**.



DANGER

Danger due to operating error!

The crane control recognizes with the limit switch initiators on the left and right on the pin bores if the pins are fully unpinned on the turntable!

As soon as a pin is unpinned, the crane control no longer receives the message „Ballast trailer installed“, which means that the crane movements turn the turntable and drive the crawler are possible.

This makes it possible to unpin the second cylinder in case it is twisted!

- ▶ These movements, turn the turntable and drive the crawler must be carried out with extreme caution!
 - ▶ If this is not observed, the crane or the ballast trailer can be damaged!
-
- ▶ Check visually if both pins are completely unpinned.

Fig.195219

LWE/LR 11350-005/19004-04-02/en

7.5.2 Disconnecting the electrical connections

- ▶ Disconnect the electrical connections from the ballast trailer to the turntable and store the plug and cable properly.

7.5.3 Disconnecting the hydraulic connections

When releasing hydraulic lines with quick-release couplings, make sure that the uncoupling procedure is carried out correctly.



WARNING

Pressure in the hydraulic lines!

If the pressure supply is not interrupted before connecting / releasing the hydraulic lines, the hydraulic oil can escape with high pressure!

Personnel can be severely injured or killed!

- ▶ Release the pressure in the hydraulic system before connecting / disconnecting: Interrupt the pressure supply and wait for a short time!
-
- ▶ Release the hydraulic coupling by hand.
 - ▶ Disconnect the hydraulic connection.
 - ▶ Store the hydraulic hoses properly.

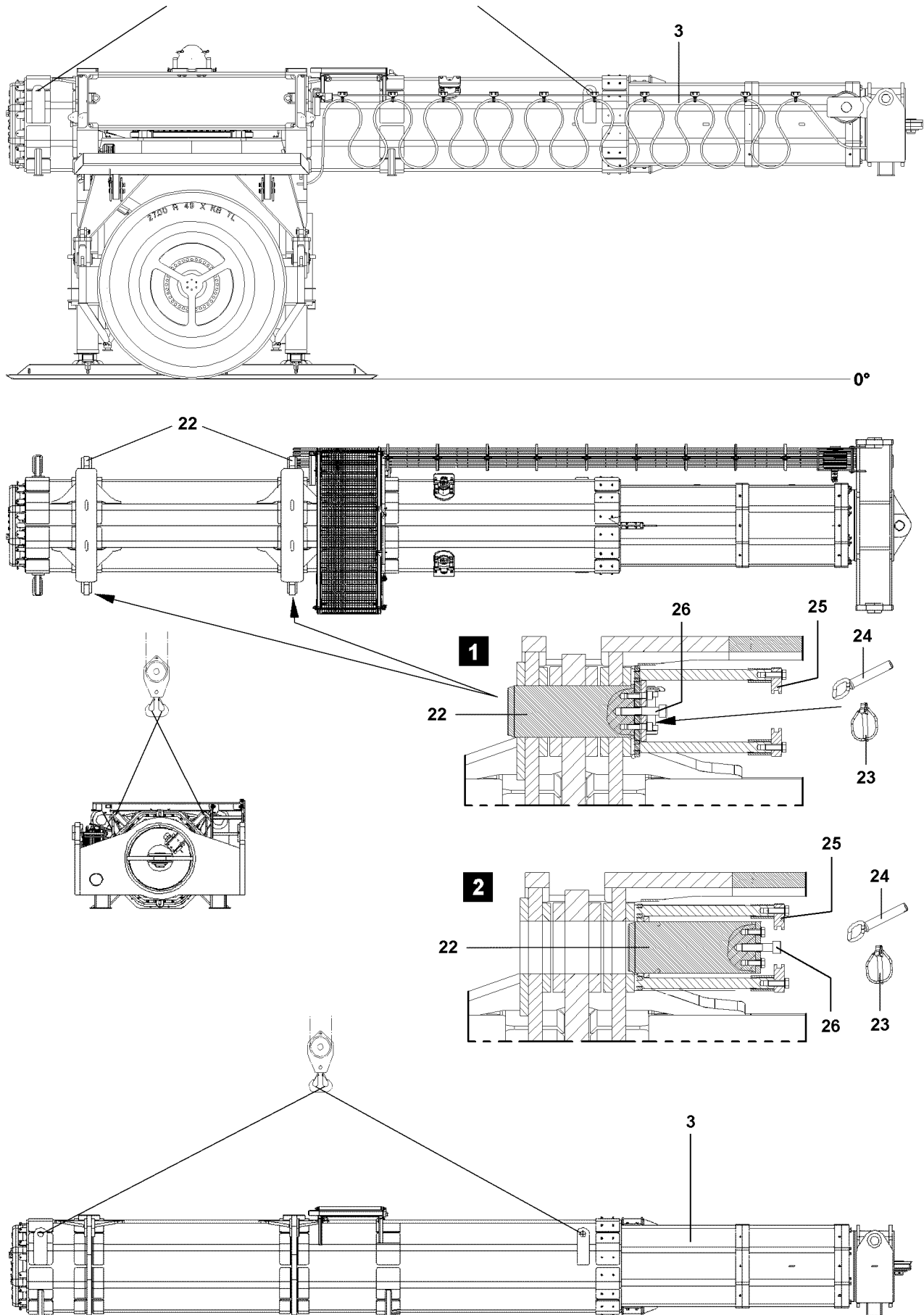


Fig.104041

7.6 Disassembling the guide from the ballast frame

Make sure that the following prerequisites are met:

- The ballast trailer is supported with the support cylinders **8** and aligned in horizontal direction.
- The wheel sets are relieved.
- The mechanical support legs are pushed in.
- The locking pin **12** is pinned in the strut **11**.



DANGER

Danger of tipping over!

If the safety guidelines for the stability and tipping safety are not observed and the strut **11** is not pinned with the locking pin **12**, there is a danger of tipping over!

- ▶ Pay attention to the stability and tipping resistance if the ballast trailer is not fitted to the turntable, see section „Placement and tipping safety for ballast trailer not fitted onto the turntable“!
 - ▶ Make sure that the locking pin **12** is pinned in the strut **11**!
-

7.6.1 Disassembling the guide

- ▶ Hang the guide **3** onto the auxiliary crane.
- ▶ Unpin the guide **3** on all four pin points.
- ▶ Remove the linch pin **23** and unpin the retaining pin **24**, see fig. 1.
- ▶ Hang the pin pulling cylinder on the retainer **25** and on the screw head **26**.
- ▶ Unpin the pin **22**.
- ▶ Insert the retaining pin **24** and secure with the linch pin **23**, see fig. 2.
- ▶ Carefully lift the guide **3** out of the ballast frame with the auxiliary crane.

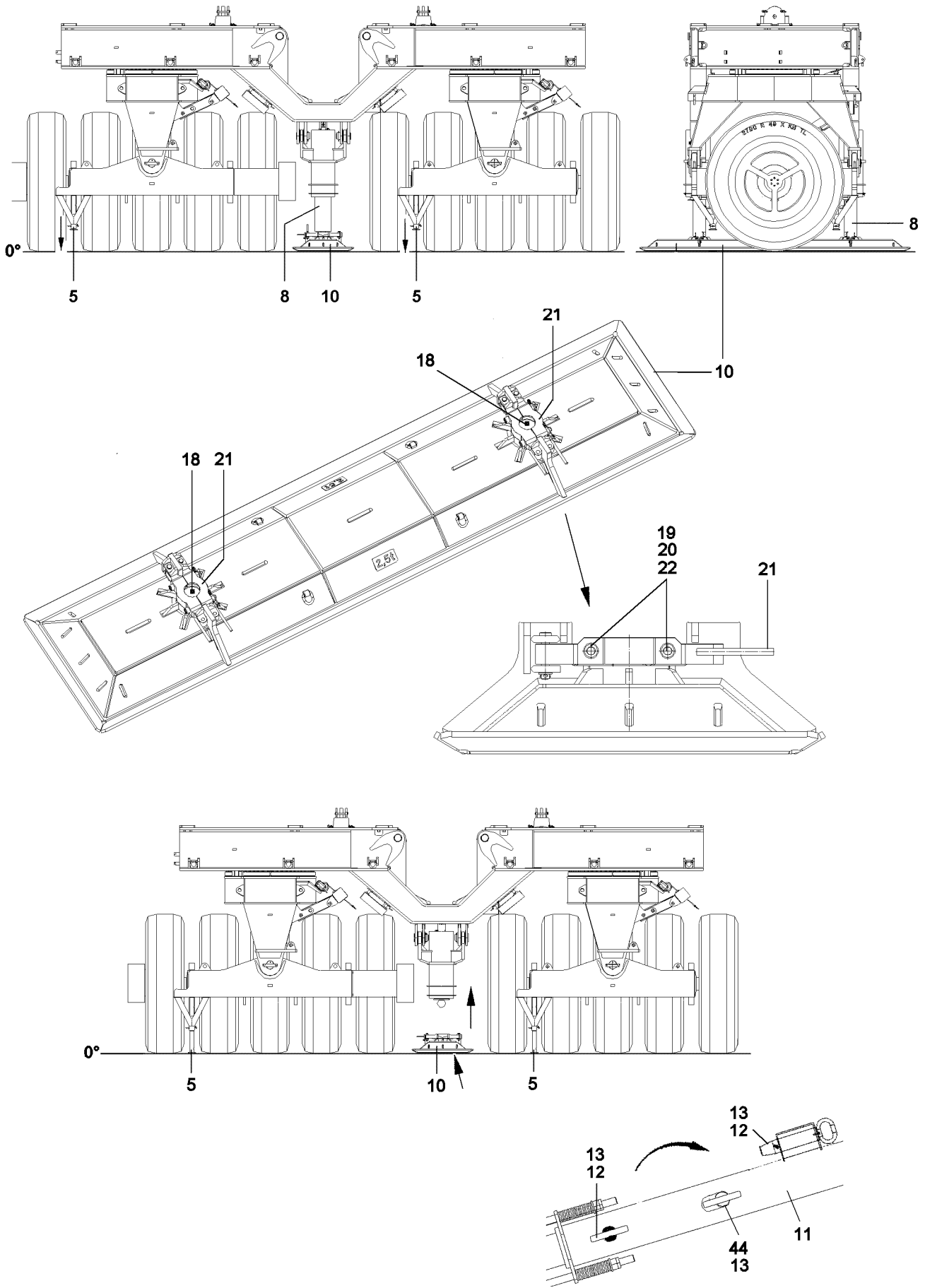


Fig.107175

LWE/LR 11350-005/19004-04-02/en

7.7 Removing the support plate

**Note**

- ▶ The wheel sets are not equipped with their own brake system!

**DANGER**

Risk of accident due to tipping the wheel sets!

When the wheel sets are not secured with wedges and not supported with the mechanical support legs, there is a danger of tipping over!

- ▶ Secure and support the wheel sets!

Make sure that the following prerequisites are met:

- The guide is removed.
- The wheel sets are secured with wedges.
- The ballast trailer is supported with the support cylinders **8**.
- The pin **44** is inserted in the slot and is secured with the spring retainer **13**.
- ▶ Unpin the locking pin **12** on the strut **11**.
- ▶ Push out all support legs **5**, pin and secure.
- ▶ Remove the cotter pin **19**, remove the castle nuts **22** and remove the retaining screws **20**.
- ▶ Open the retaining plates **21**.
- ▶ Extend the piston rod of the support cylinder **8** with the pin pulling device and remove it from the receptacle **18**.
- ▶ Fully retract the support cylinders **8**.

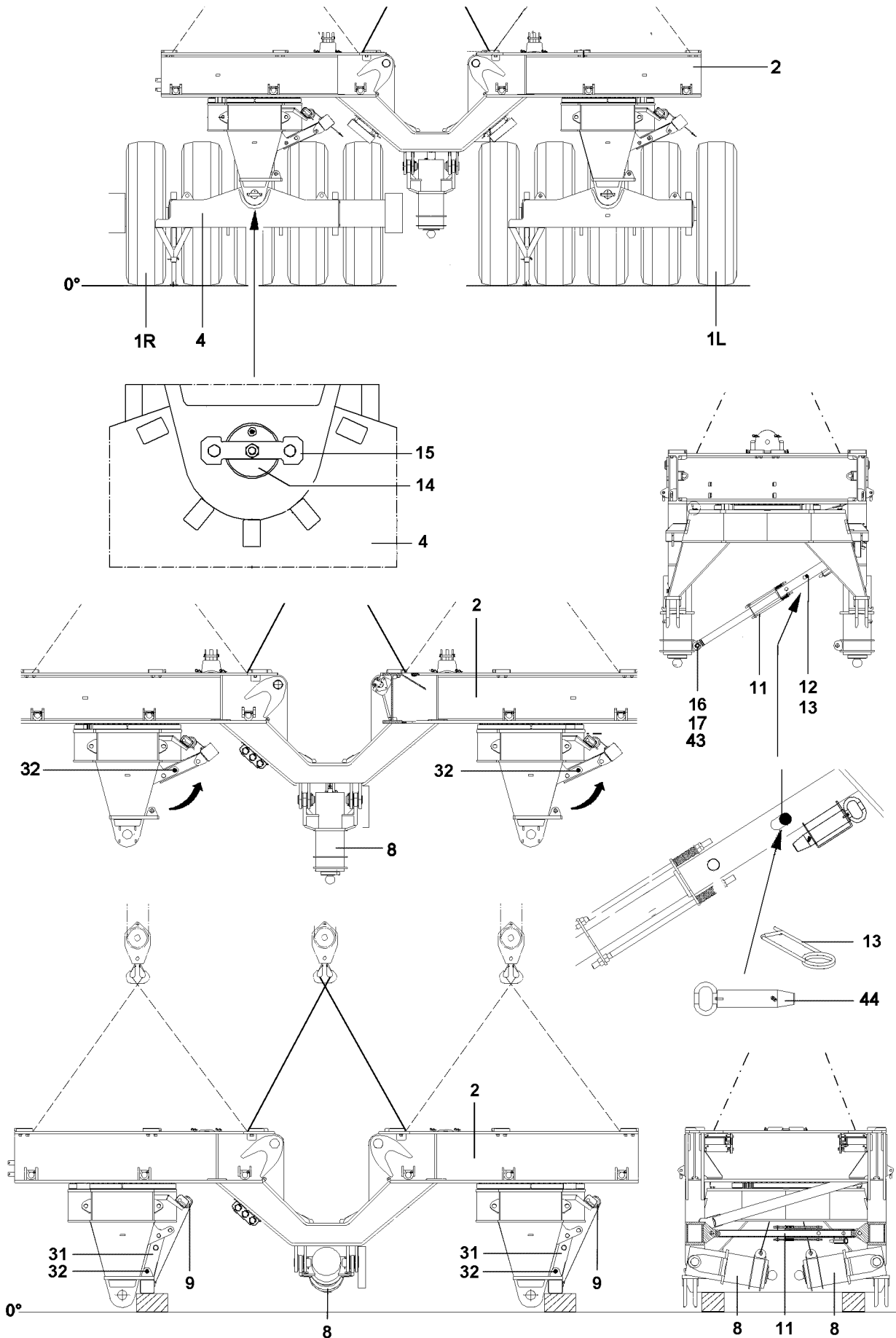


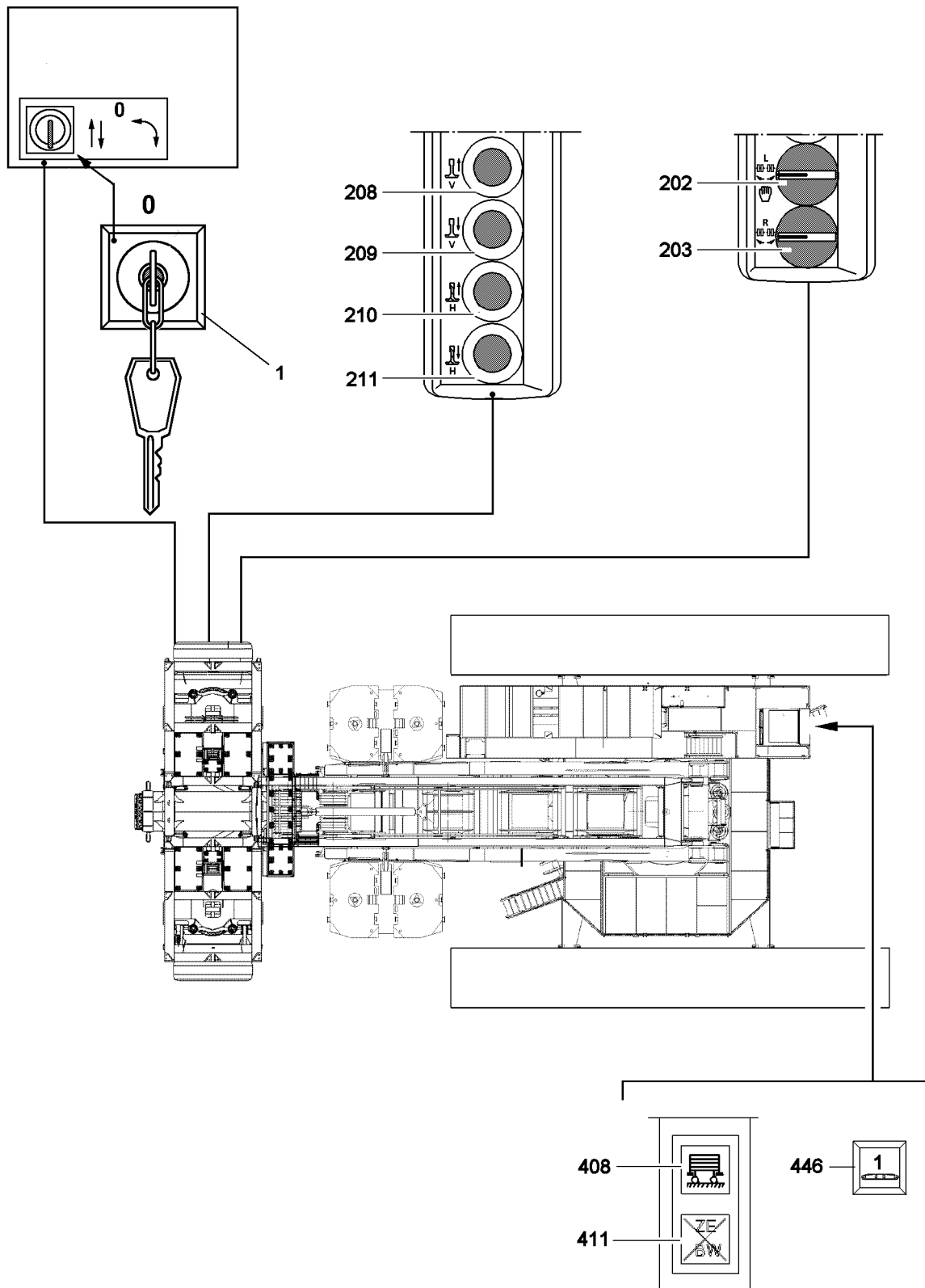
Fig.107176

LWE/LR 11350-005/19004-04-02/en

7.8 Disassembling the ballast frame on the wheel sets

Make sure that the following prerequisites are met:

- The wheel sets are secured with wedges and mechanically supported.
 - The ballast frame hangs on the auxiliary crane.
 - The pin **44** is pinned in the slot on the strut **11** and is secured with the spring retainer **13**.
- ▶ Remove the axle support **15** and unpin all 4 pins **14**.
 - ▶ Carefully lift the ballast frame **2** using the auxiliary crane and turn it away.
 - ▶ Hang in the rope of the rope winch **9** on the transport support **31**.
 - ▶ Release and unpin the retaining pin **32**.
 - ▶ Lower the transport support **31** until it is hanging vertically. Unhook the rope winch from the transport support, reeve and hook it back onto the transport support. Spool up the rope winch and pull the transport support to the rocker. Pin and secure the retaining pin **32**.
 - ▶ Hang the gripper or the auxiliary crane on the strut **11** and tension. Unpin the strut **11** on the support cylinder on the bottom. Loosen the spring retainer **17**, remove the washers **43** and unpin the pin **16**.
 - ▶ Pull the strut **11** up into transport position and repin.
 - ▶ Hang the gripper or the auxiliary crane on the support cylinder **8** and tension.
 - ▶ Pull the support cylinder **8** into transport position and attach with chains.
 - ▶ Lower the ballast frame to the support.



LWE/LR 11350-005/19004-04-02/en

Fig.104960

8 Emergency operation

8.1 Emergency operation of ballast trailer

In case of a failure or defect of the central unit on the ballast trailer, the warning light **411** lights up, the electronic steering of the ballast trailer can no longer be actuated.

The signals towing and circular driving can no longer be sent from the ballast trailer control to the crane control.

By actuating the key button **1** in the switch box on the ballast trailer, the CPU can be bypassed.

Key switch positions

- 0 (center) = no emergency operation
- I (left) = emergency operation towing
- II (right) = emergency operation circular driving



Note

- ▶ Operate the key switch **1** only if the electronics fail!
 - ▶ The signal „towing“ and „circular driving“ is released on the crane, even though the wheels might be positioned incorrectly!
-

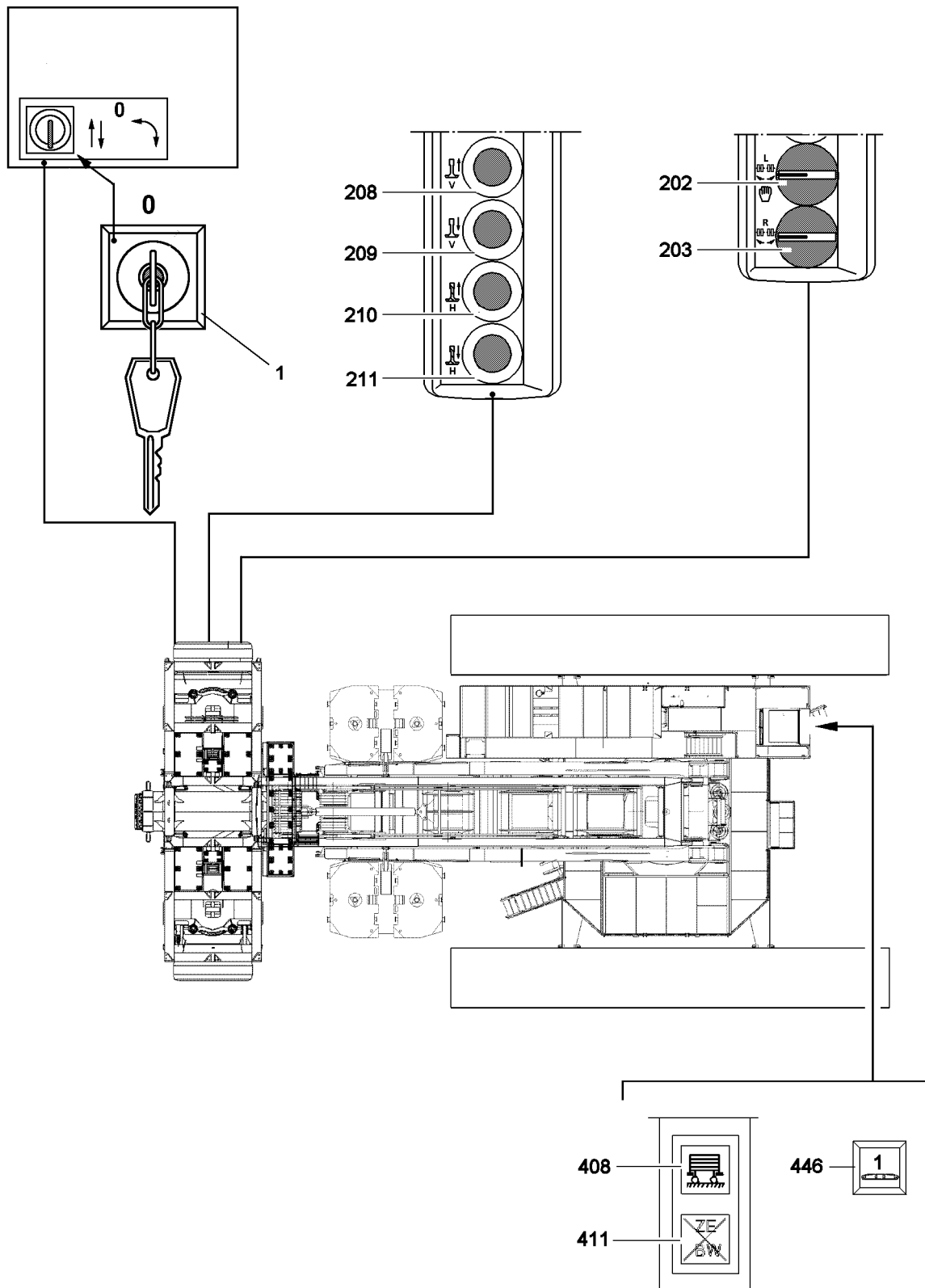


DANGER

Danger of accident due to erroneous operation!

Emergency operation should only be carried out by authorized personnel. They must be aware of all related supervisory tasks and hazards!

- ▶ Make sure that no personnel is within the danger zone of the ballast trailer!
 - ▶ Carry out driving movements with utmost caution, the least possible acceleration and careful braking!
 - ▶ Monitor the wheel position manually, check visually. Observe the angle scale on the ballast trailer!
-



LWE/LR 11350-005/19004-04-02/en

Fig.104960

8.2 Emergency operation - towing

Make sure that the following prerequisites are met:

- The ballast trailer is properly installed.
- The crawler operation is turned on. Switch **446** is turned on.

8.2.1 Setting the wheel sets to towing

- ▶ Raise the ballast trailer with the support cylinders.
- ▶ Turn the key switch **1** on the ballast trailer to position I „left“.



Note

- ▶ By turning the key switch **1** to position I, the towing command is forwarded to the crane and the emergency operation is turned on!
- ▶ In emergency operation, the support can only be moved from the control panel on the ballast trailer!

- ▶ Press button **209** and button **211**, extend the support cylinders on the front and rear and relieve the wheels.
- ▶ Set the axles to towing position.
- ▶ Operate the rotary switch **202**, the left wheel set is moved to the towing position.
- ▶ Operate the rotary switch **203**, the right wheel set is moved to the towing position.
- ▶ Lower the ballast trailer with the support cylinders.
- ▶ Press the button **208** and button **210**, retract the front and rear support cylinder.



Note

- ▶ The indicator light **408** lights up, the supports are retracted!
- ▶ Checking the settings

8.2.2 Towing

Make sure that the following prerequisite is met:

- The wheel sets are in towing position.



Note

- ▶ Monitor the wheel position of the wheel sets constantly while driving!
- ▶ If the tires become excessively deformed, readjust the wheel position!

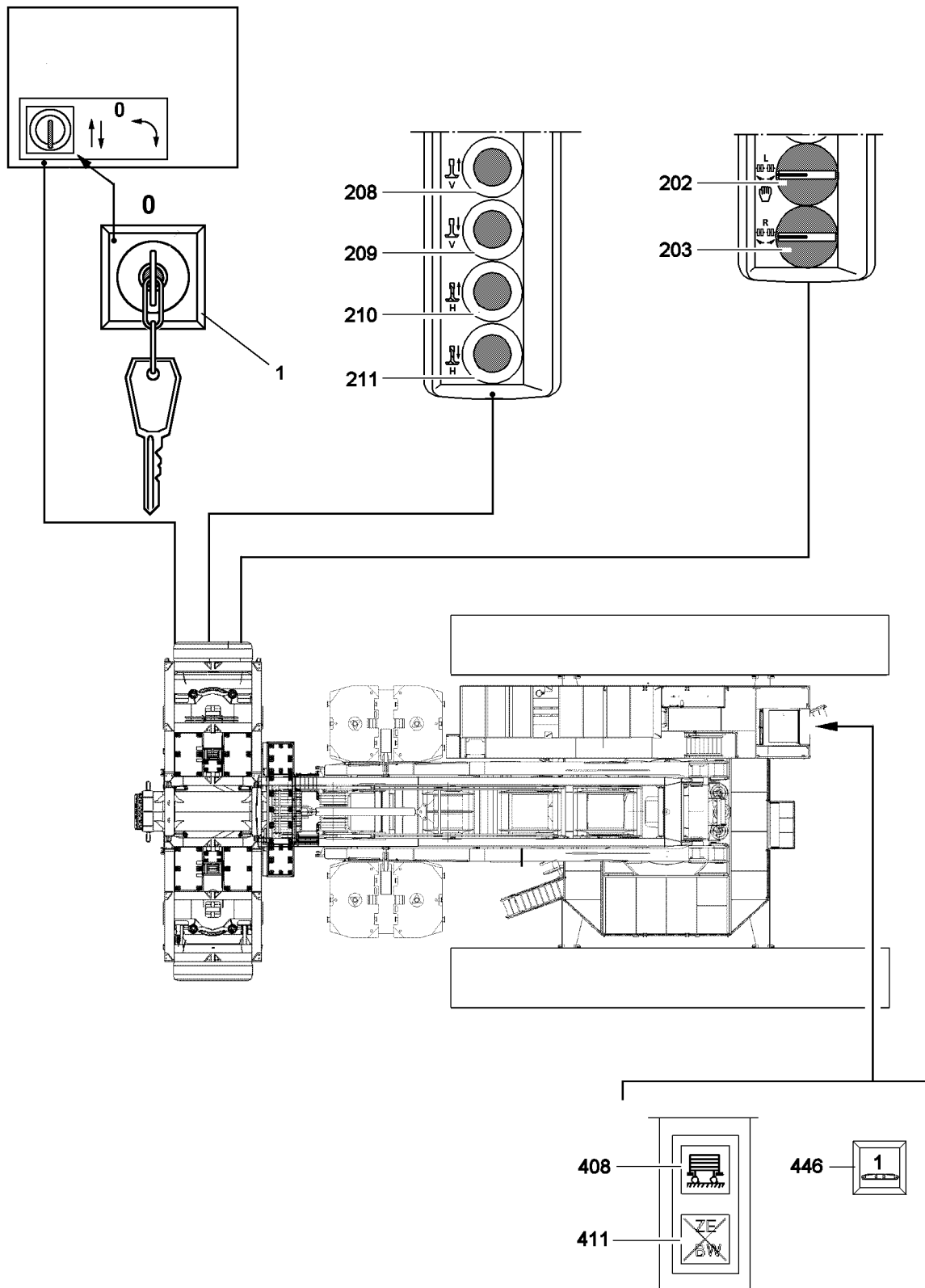


Fig.104960

8.3 Emergency operation - circular driving

Make sure that the following prerequisites are met:

- The ballast trailer is properly installed.
- The crawler operation is turned on. Switch **446** is turned on.

8.3.1 Setting the wheel sets to circular driving

- ▶ Raise the ballast trailer with the support cylinders.
- ▶ Turn the key switch **1** on the ballast trailer to position II „right“.



Note

- ▶ By turning the key switch **1** to position II, the command for circular driving is forwarded to the crane and the emergency operation is turned on!
- ▶ In emergency operation, the support can only be moved from the control panel on the ballast trailer!

- ▶ Press button **209** and button **211**, extend the support cylinders on the front and rear and relieve the wheels.
- ▶ Set the axles to circular driving position.
- ▶ Operate the rotary switch **202**, the left wheel set is moved to the circular driving position.
- ▶ Operate the rotary switch **203**, the right wheel set is moved to the circular driving position.
- ▶ Lower the ballast trailer with the support cylinders.
- ▶ Press the button **208** and button **210**, retract the front and rear support cylinder.



Note

- ▶ The indicator light **408** lights up, the supports are retracted!
- ▶ Checking the settings

8.3.2 Circular driving

Make sure that the following prerequisite is met:

- The wheel sets are in circular driving position.



Note

- ▶ Monitor the wheel position of the wheel sets constantly while driving!
- ▶ If the tires become excessively deformed, readjust the wheel position!

9 Maintenance intervals for the ballast trailer



Note

- ▶ See Crane operating instructions, chapter 7.02!

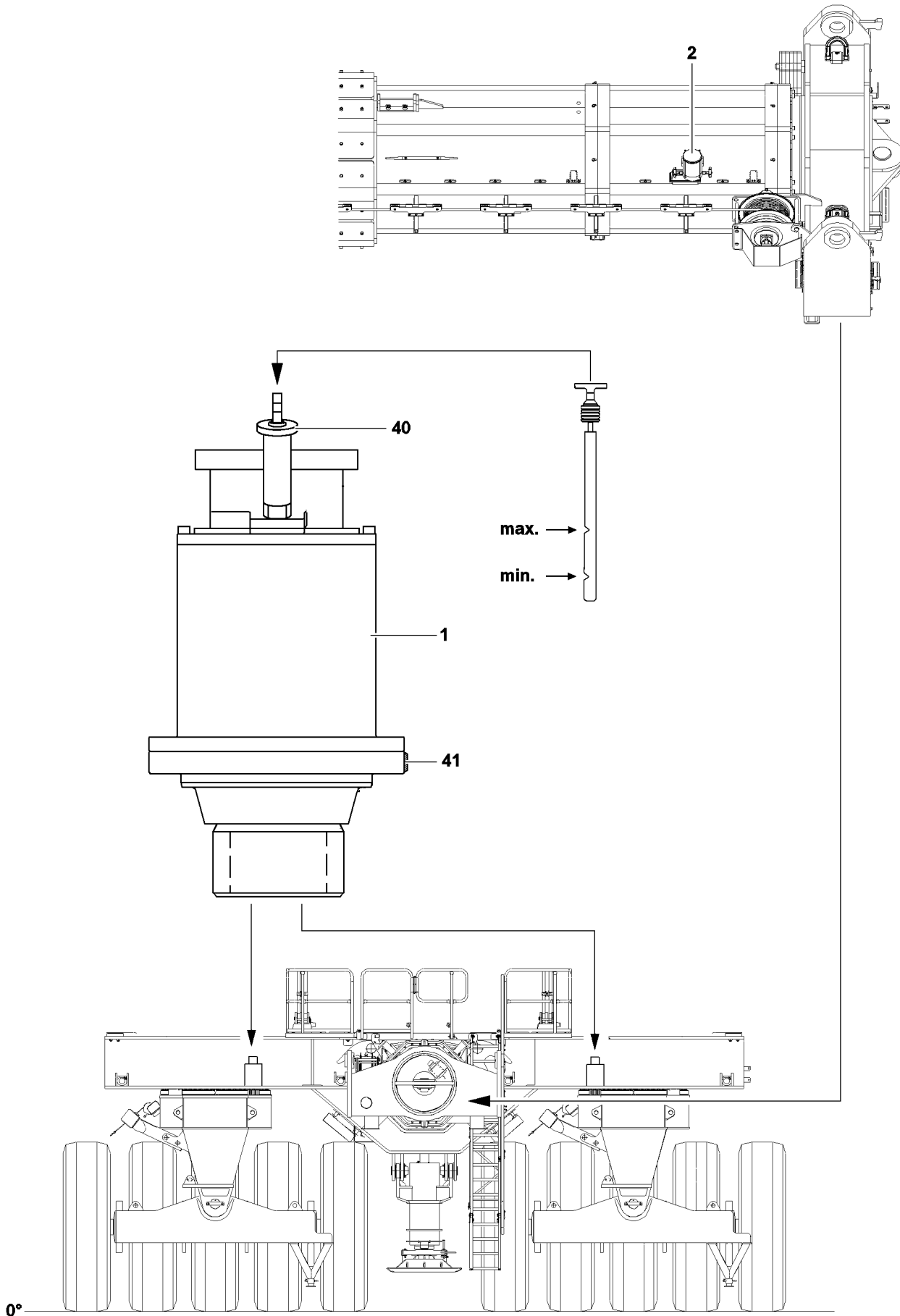


Fig.112905

LWE/LR 11350-005/19004-04-02/en

10 Maintenance

10.1 Ballast trailer tires

10.1.1 Ballast trailer tires



Note

▶ See Crane operating instructions, chapter 2.15!

10.1.2 Ballast trailer tires and disk wheels



Note

▶ See Crane operating instructions, chapter 8.01!

10.2 Hydraulic hose lines



Note

▶ See Crane operating instructions, chapter 7.05!

10.3 Slewing gear

Please maintain utmost cleanliness during all work to prevent dirt from entering the interior of the gear system.

10.3.1 Checking the oil level

Make sure that the following prerequisite is met:

– The ballast trailer is in horizontal position.

- ▶ Remove the dipstick **40** and wipe it off.
- ▶ Reinsert the dipstick **40** and pull it out again.

The oil level must be between the min. and max. mark on the dipstick **40**.

- ▶ Check the oil level.

NOTICE

Danger of gear damage!

If the oil level has dropped below the minimum mark, add oil as specified in the lubrication chart until the oil level is between the minimum and maximum mark!

If the required minimum mark is fallen below, the gear will be destroyed!

- ▶ Add oil, wait a short time and then check the oil level again!

- ▶ Reinsert the dipstick **40**.
-

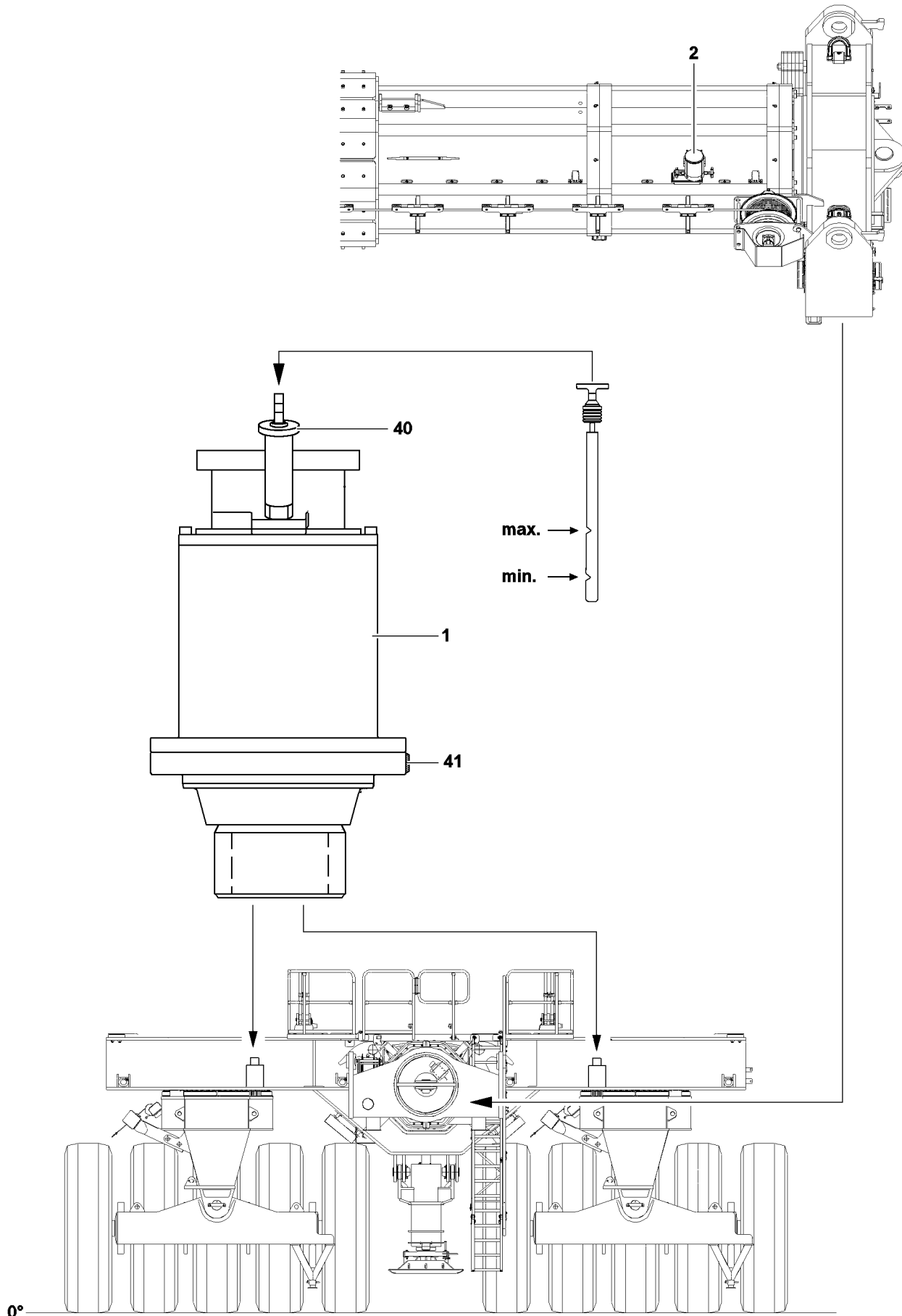


Fig.112905

LWE/LR 11350-005/19004-04-02/en

10.3.2 Changing the oil

Make sure that the following prerequisites are met:

- The ballast trailer is in horizontal position.
- The slewing gear is warm.
- ▶ Open the oil filler port by unscrewing the dipstick **40**.
- ▶ Remove the oil drain plug **41** with the seal ring and drain the oil completely.
- ▶ Clean the oil drain plug **41** and sealing surface on the housing.
- ▶ Screw in and tighten oil drain plug **41** with new seal ring.
- ▶ Add oil as specified in the lubricant chart at the oil filler port until the oil level is between the minimum and maximum mark on the dipstick **40**.
- ▶ Close the oil filler port by screwing in the dipstick **40**.
- ▶ Check the oil level as described in the section „Checking the oil level“.

10.4 Central lubrication system



Note

- ▶ See Crane operating instructions, chapter 7.05!

11 Fill quantities

12 Fill quantities for ballast trailer

The specified fill quantities (change quantities) are orientation values. The markings on the dipsticks, inspection ports or sight gauges are decisive for filling.

NOTICE

Danger of property damage!

- ▶ Do not mix synthetic oils with mineral oils!

Position	Components	Fill quantity
1	Slewing gear	3.2 l
2	Central lubrication system	2.5 kg

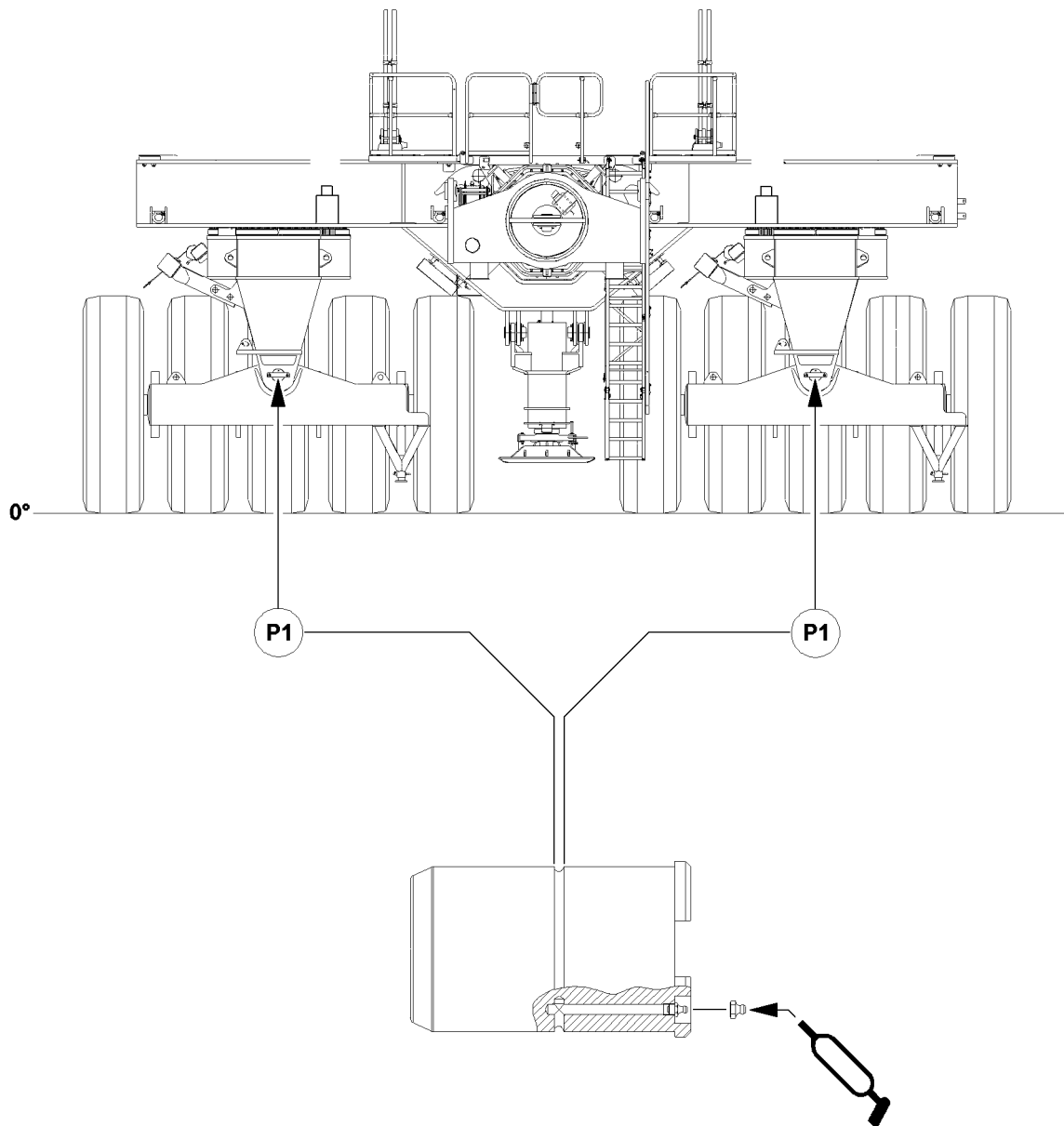


Fig.112907

13 Lubrication schedule

13.1 Lubrication schedule Ballast trailer

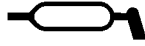
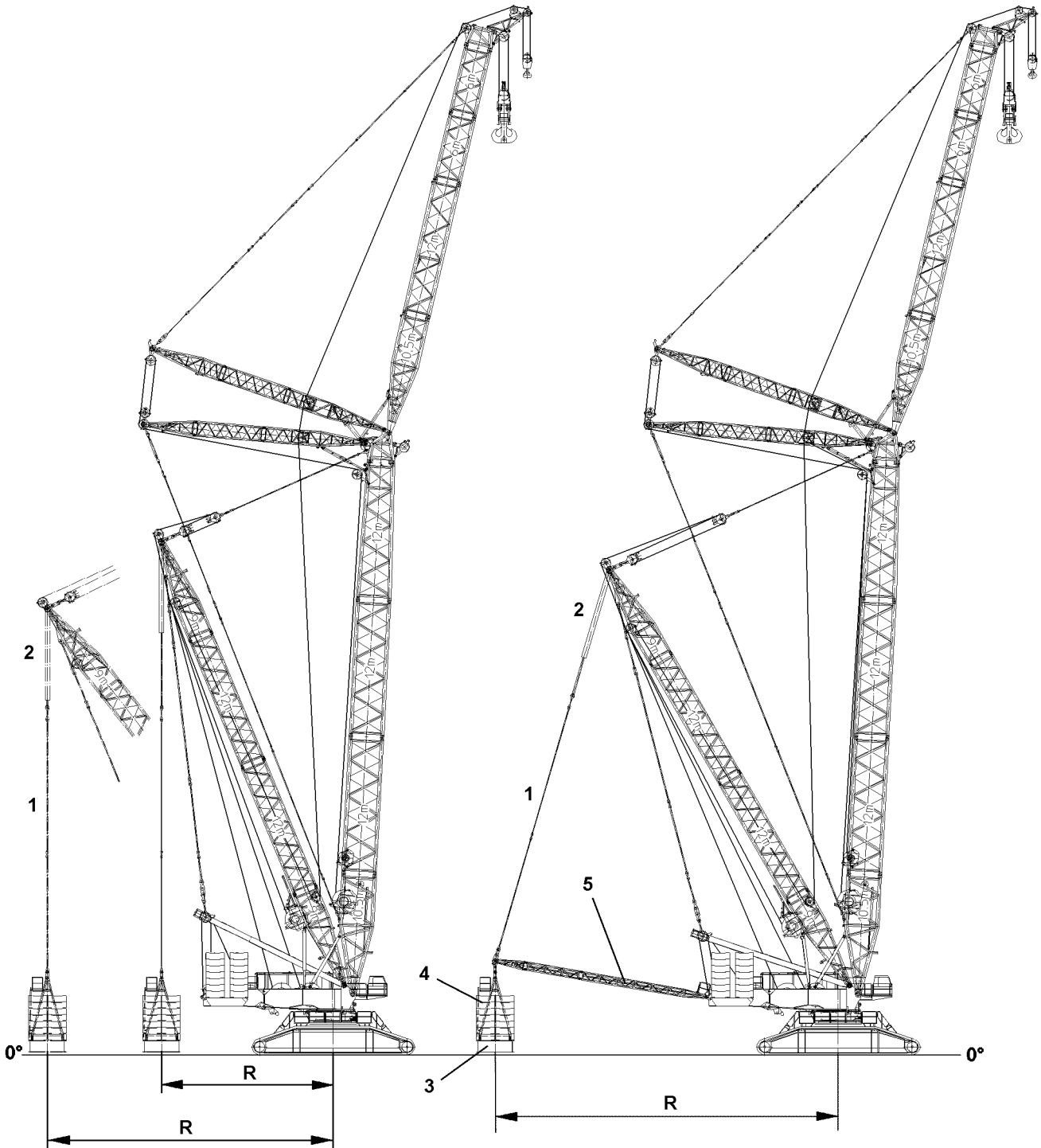


Fig.107729



Note

▶ The lube points are marked with this icon!



LWE/LR 11350-005/19004-04-02/en

Fig.102167

1 General

1.1 Description

The required derrick ballast radius **R** is set by adjusting the derrick boom if the derrick ballast is **not** guided.

The radius is fixed if the derrick ballast **is** guided.



Note

- ▶ **B** = Suspended ballast **without** guide.
- ▶ **B2** = Suspended ballast **with** guide.

The suspended ballast and ballast trailer are generally referred to as the derrick ballast. The fixed compensation weight which is installed on the turntable is generally referred to as the counterweight.

The derrick boom angle, the derrick ballast, weight and utilization are shown on monitor 1.

After assembly on the ground, the derrick ballast is raised for crane operation with the hydraulic cylinders **2** in the guying **1**.

For crane operation with derrick ballast, see Crane operating instructions, chapter 4.02.

1.2 Component overview - Derrick ballast

The components for crane operation with derrick ballast are:

Position	Component
1	Guying
2	Hydraulic cylinder
3	Ballast pallet
4	Ballast plates
5	Guide

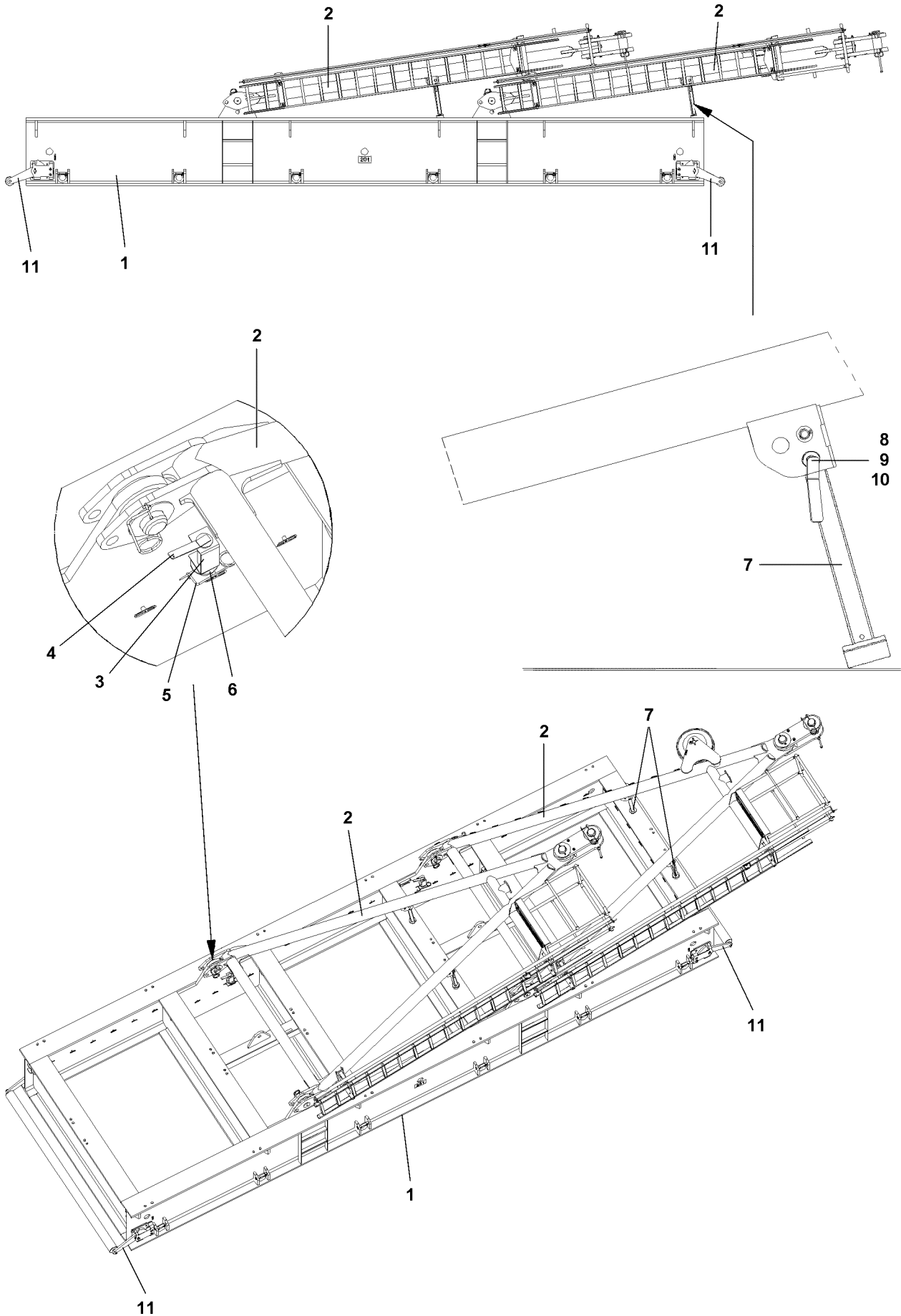


Fig.104126

LWE/LR 11350-005/19004-04-02/en

1.3 Component overview - Ballast pallet

The components for the ballast pallet are:

Components	
1	Ballast pallet
2	Erection rack
3	Receptacle for retaining pin 4
4	Retaining pin
5	Washer
6	Spring retainer
7	Assembly support
8	Retaining pin
9	Cotter pin
10	Washer
11	Limit switch

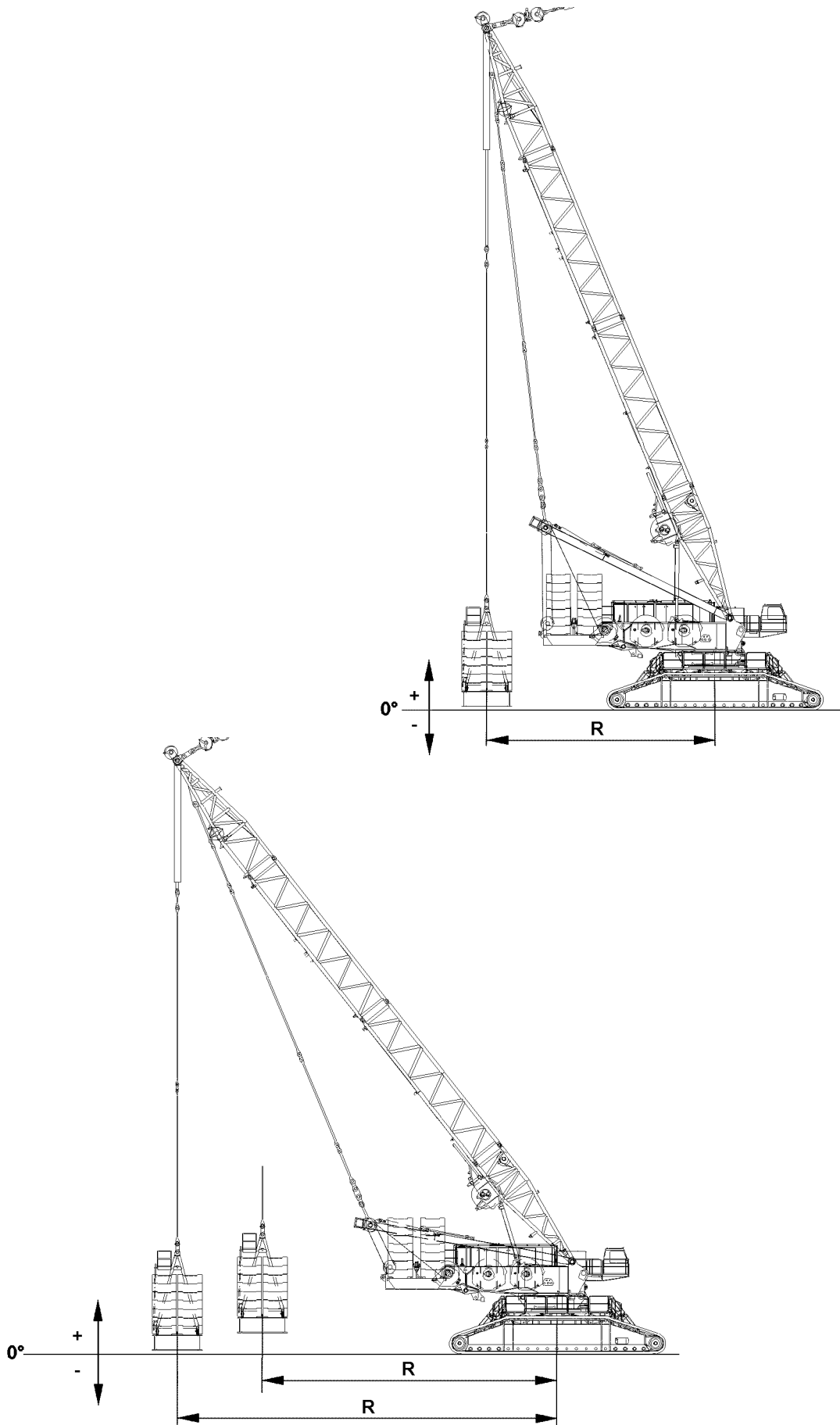


Fig.104127

LWE/LR 11350-005/19004-04-02/en

2 Derrick radii

2.1 Derrick ballast without guide


Note

► No guide is installed between the turntable and the ballast pallet.

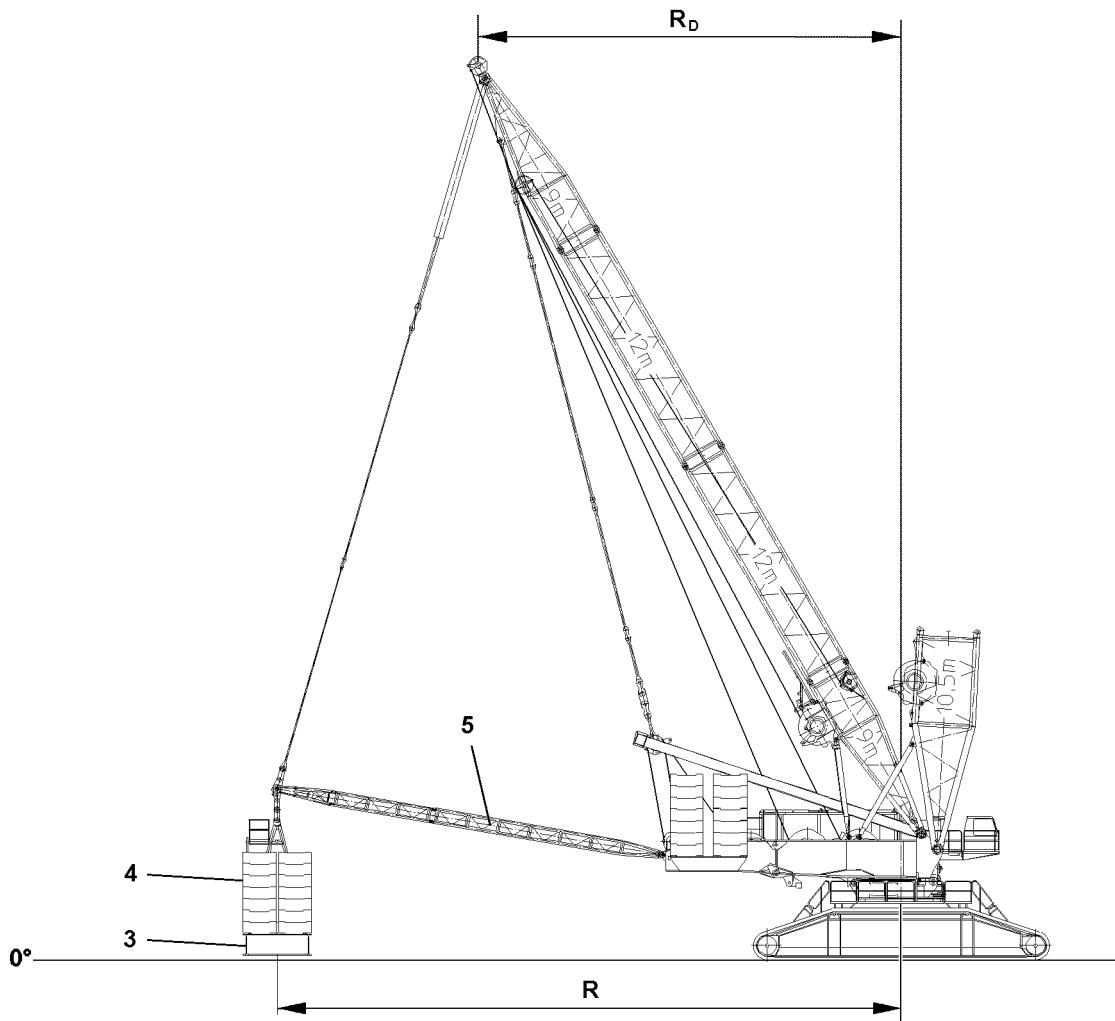
2.1.1 Derrick ballast lifting heights with respect to the base of the crawler

The derrick ballast radius and the derrick boom radius are identical.

Radius R = 15 m	
Above base	+6.50 m
Below base	-0.65 m

Radius R = 20 m	
Above base	+4.05 m
Below base	-3.10 m

Radius R = 25 m	
Above base	+0.66 m
Below base	-6.49 m



LWE/LR 11350-005/19004-04-02/en

Fig.120840

2.2 Derrick ballast with guide



Note

- ▶ One guide **5** is installed between the turntable and the ballast pallet **3**.
- ▶ The derrick ballast radius **R** and the derrick boom radius **RD** are **not** identical.

2.2.1 Derrick ballast lifting heights with respect to the base of the crawler

The derrick ballast radius **R** is 30 m and the derrick boom radius **RD** is 20 m.

Radius R = 30 m / R _D = 20 m	
Above base	+4.85 m
Below base	-2.30 m

Fig.195219

LWE/LR 11350-005/19004-04-02/en

3 Assembly



WARNING

Danger of falling!

During assembly and disassembly, assembly personnel must be secured with appropriate aids to prevent them from falling. If this is not observed, assembly personnel could fall and suffer life-threatening or fatal injuries.

- ▶ Any work, where there is a danger of falling, must be carried out with suitable aids (for example: lifting platforms, scaffoldings, ladders, auxiliary crane).
- ▶ If the work cannot be carried out with such aids nor from the ground, then the assembly personnel must secure themselves with approved fall arrest systems to avoid falling, see Crane operating instructions chapter 2.04.
- ▶ If railings are present for the crane, then they must be brought into the corresponding position and secured for assembly / disassembly work.
- ▶ Step on aids and fall protection equipment only with clean shoes.
- ▶ Keep aids and fall protection equipment clean and free from snow and ice.
- ▶ During all assembly and disassembly work, maintenance work and inspections, travel or crane operation is prohibited.



WARNING

Falling components!

If unsecured or non-supported components are assembled or disassembled, they can fall down. Personnel can be severely injured or killed.

- ▶ During pinning and unpinning of the lattice sections, it is prohibited for anyone to remain **under** or **on** the components as well as within the entire danger zone.
- ▶ Pin or unpin both pins laying in a horizontal, i.e. **left** and **right**.
- ▶ Secure the pins in the storage locations and in the receptacles.
- ▶ Do not disengage the auxiliary crane until the respective component is pinned and secured.
- ▶ It is prohibited to lean a ladder against the component being disassembled.



WARNING

Danger of impact / crushing!

When installing / removing crane components with the auxiliary crane, crane components can start to swing back and forth.

When lifting / lowering and positioning crane components, there is an increased danger of impacts / crushing.

Personnel can be severely injured or killed.

- ▶ Make sure that personnel cannot be caught by components.
- ▶ Make sure that the crane is horizontally aligned.
- ▶ When working in danger zones: Use aids to protect limbs.
- ▶ Guide components with suitable aids to minimize oscillation.

Make sure that the following prerequisites are met:

- The crane is aligned in horizontal direction.
- The boom and the derrick are installed on the turntable.
- The boom and the derrick are in crane operating position.
- The counterweight has been installed on the turntable according to the load chart.
- The LICCON overload protection has been set according to the data in the load chart.
- An auxiliary crane is available.

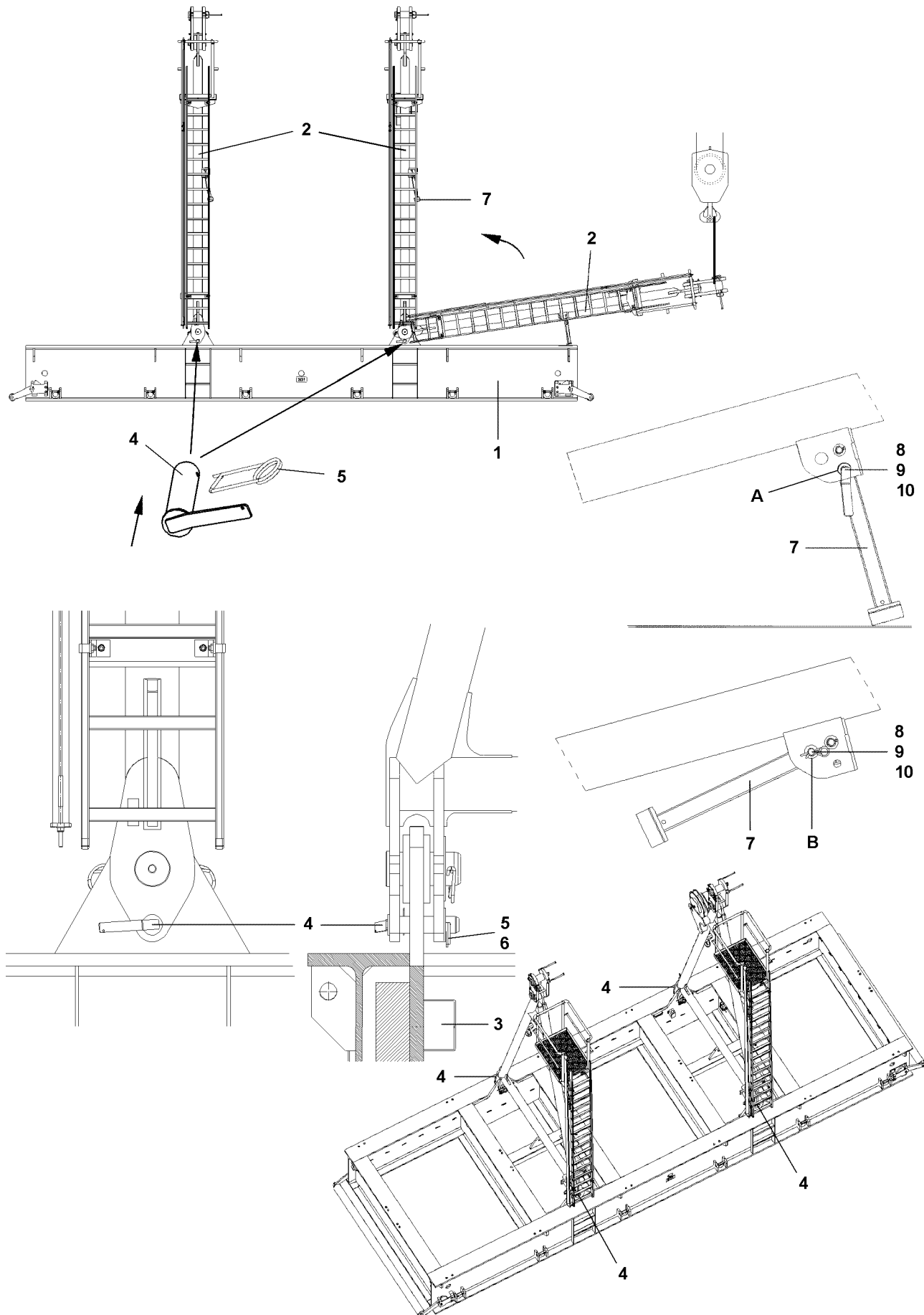


Fig.104125

LWE/LR 11350-005/19004-04-02/en

3.1 Installing the ballast pallet



DANGER

Danger of accidents when assembling / disassembling the erection racks!

The disassembly of unsecured or unsupported erection racks can cause the erection racks to fall down and kill or severely injure personnel.

- ▶ Never unpin the retaining pins under unsecured or unsupported erection racks.
- ▶ It is prohibited for anyone to remain under the erection racks or within the complete danger zone during the pinning and unpinning procedure.

3.1.1 Setting the ballast pallet in the assembly position

- ▶ Set the derrick to the required radius.
- ▶ Hang the ballast pallet **1** on the auxiliary crane and position it within the slewing range of the crane under the guy rods on the derrick.



Note

- ▶ Set down the ballast pallet **1** for easier assembly of the guy rods, in lengthwise direction of the turntable.
- ▶ Align the ballast pallet **1** horizontally.

3.1.2 Setting up the erection racks

- ▶ Hang erection rack **2** on the auxiliary crane.
- ▶ Remove the spring retainer **9** and washer **10**, unpin the pin **8** from the bore **A**.
- ▶ Fold in the transport support **7** and pin on the erection rack.
- ▶ Pin and secure the pin **8** in the bore **B**.
- ▶ Set the erection rack **2** vertically with the auxiliary crane.



DANGER

Danger of accidents when assembling / disassembling the erection racks!

The erection racks must hang securely on the auxiliary crane, otherwise they could fall down and kill or severely injure personnel.

- ▶ The erection racks must be locked and secured in a vertical position with four retaining pins **4**. Only then may the auxiliary crane be removed.
- ▶ Never unpin the retaining pins of unsecured or unsupported erection racks.
- ▶ It is prohibited for anyone to remain under the erection racks or within the complete danger zone during the pinning and unpinning procedure.

- ▶ Insert four retaining pins **4** on the erection racks **2** on both sides.
- ▶ Secure the retaining pin **4** with spring retainer **6** and washer **5**.

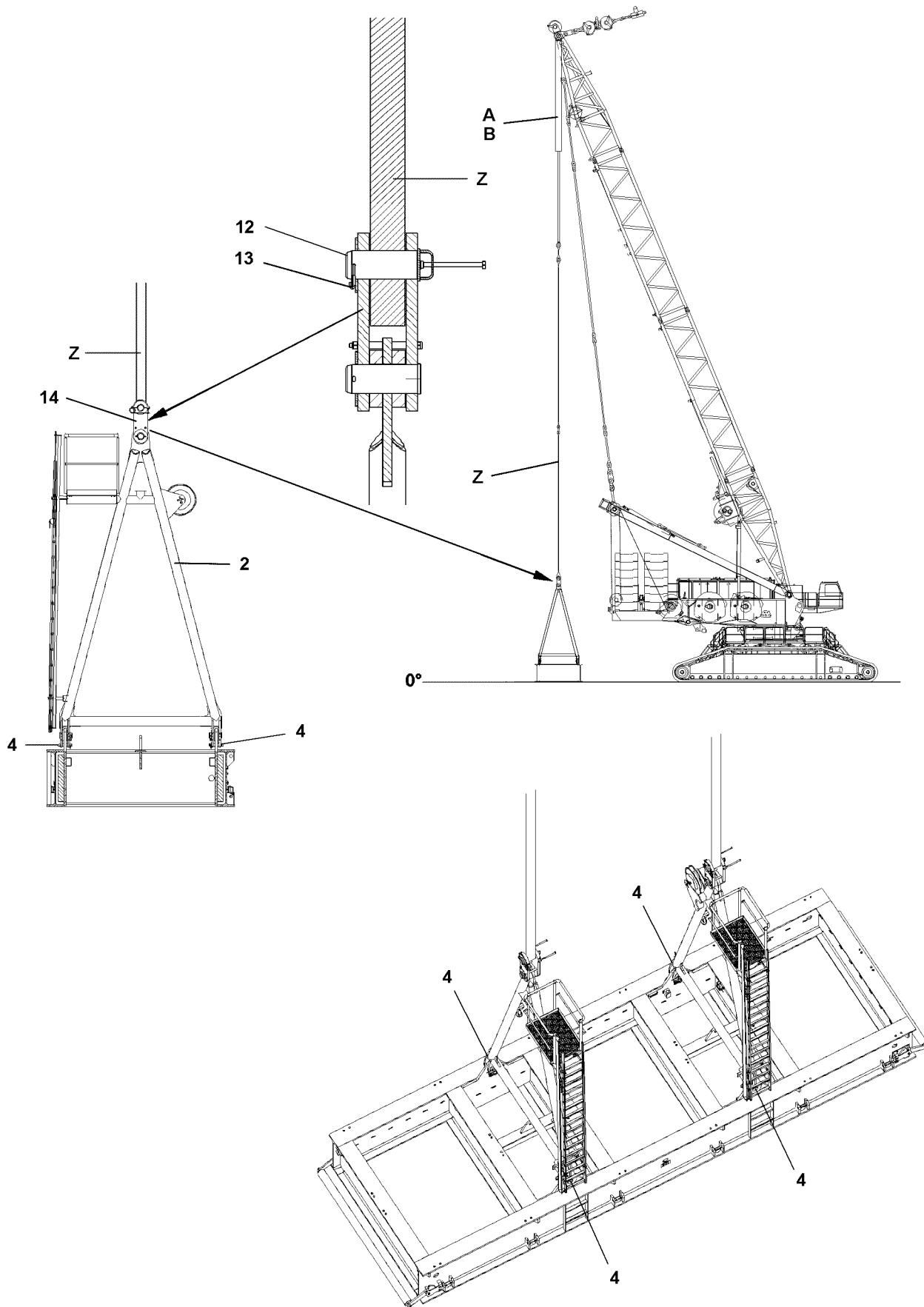


Fig.104128

LWE/LR 11350-005/19004-04-02/en

3.1.3 Assembling the guy rods on the ballast pallet without a guide

Make sure that the following prerequisites are met:

- The guy rods hang above the brackets of the erection racks.
- The erection racks are erected and secured with four retaining pins **4**.
- ▶ Position the guy rods **Z** by extending the piston rods on the hydraulic cylinders **A** and **B** above the brackets **14**.
- ▶ Pin and secure the guy rods **Z** on the brackets **14** on both sides.



DANGER

Danger of accidents when pinning and unpinning the guying!

The guy rods must be pinned and secured on both sides, otherwise the ballast pallet can tip over and kill or severely injure personnel.

- ▶ It is prohibited for anyone to remain under the erection racks or within the complete danger zone during the pinning and unpinning procedure.

- ▶ Insert the pin **12** and secure with spring retainer **13**.
- ▶ Lift the empty ballast pallet with the hydraulic cylinder **A** and the hydraulic cylinder **B** and set it down again.

Result:

- The ballast pallet is thereby precisely placed vertically under the derrick head.
- ▶ Align the ballast pallet horizontally.

NOTICE

Damage to the retaining pins!

If the retaining pins **4** are not unpinned before crane operation, then they can be damaged in crane operation.

- ▶ Unpin the retaining pins **4** before start of crane operation.

When the ballast pallet is pinned and secured on the D-guying:

- ▶ Release the retaining pins **4** on the erection racks on both side and unpin.

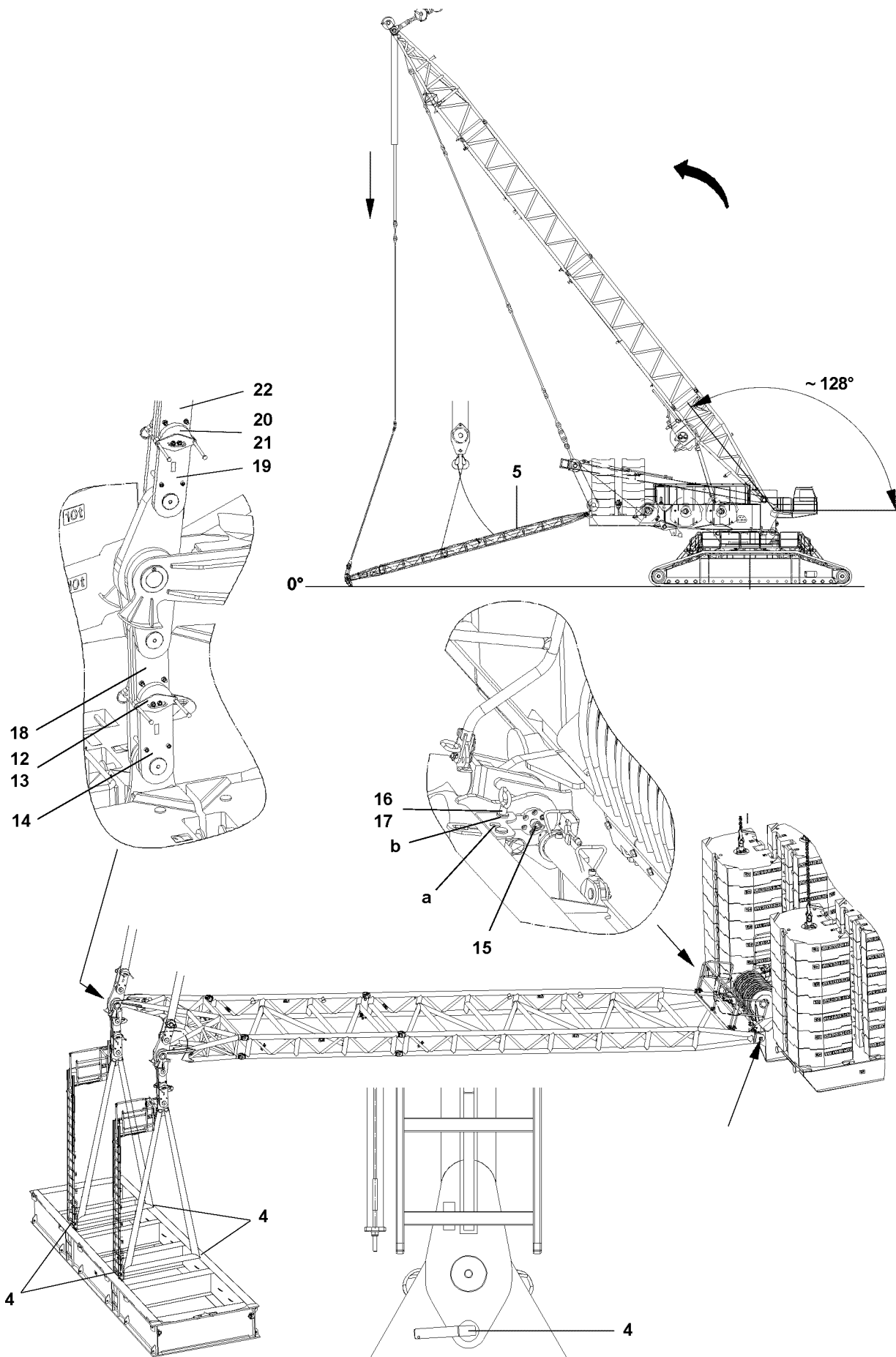


Fig.104129

LWE/LR 11350-005/19004-04-02/en

3.1.4 Assembly of the derrick ballast guide and guy rods

Make sure that the following prerequisites are met:

- The ballast pallet is placed in the lengthwise direction of the turntable and set to the required radius.
- The erection racks are erected and secured with four retaining pins **4**.



Note

- ▶ First pin the guide **5** on the turntable.

- ▶ Hang the guide **5** on the auxiliary crane and swing it to the pin points on the turntable and fasten in position.
- ▶ Pin the guide **5** on both sides on the turntable with the pin pulling device.
- ▶ Push the pin **15** in completely.
- ▶ Remove the retaining pin **16** from bore **a** and insert into bore **b** and secure retaining pin **16** with cotter pin **17**.
- ▶ Lower the guide **5** until it is placed on the ground.
- ▶ Luff down the derrick to the rear to maximum radius, the electric shut off takes place at approximately R 25.6 m , approximately corresponding to 128°.
- ▶ Extend the hydraulic cylinder and pin and secure the guy rods **22** on the bracket **19**.
- ▶ Insert the pins **20** on both sides and secure with spring retainers **21**.
- ▶ Pull up the guide **5** by retracting the hydraulic cylinders and luffing up the derrick R 20 m.
- ▶ Swing the guide **5** over the pin points on the ballast pallet.
- ▶ Pin the bracket **18** on the bracket **14**.
- ▶ Insert the pins **12** on both sides and secure with spring retainers **13**.
- ▶ Lift the empty ballast pallet with the hydraulic cylinder **A** and the hydraulic cylinder **B** again and set it down again.

Result:

- The ballast pallet is thereby precisely placed vertically under the derrick ballast guide.

NOTICE

Damage to the retaining pins!

If the retaining pins **4** are not unpinned before crane operation, then they can be damaged in crane operation.

- ▶ Unpin the retaining pins **4** before start of crane operation.

When the ballast pallet is pinned and secured on the D-guying:

- ▶ Release the retaining pins **4** on the erection racks on both side and unpin.

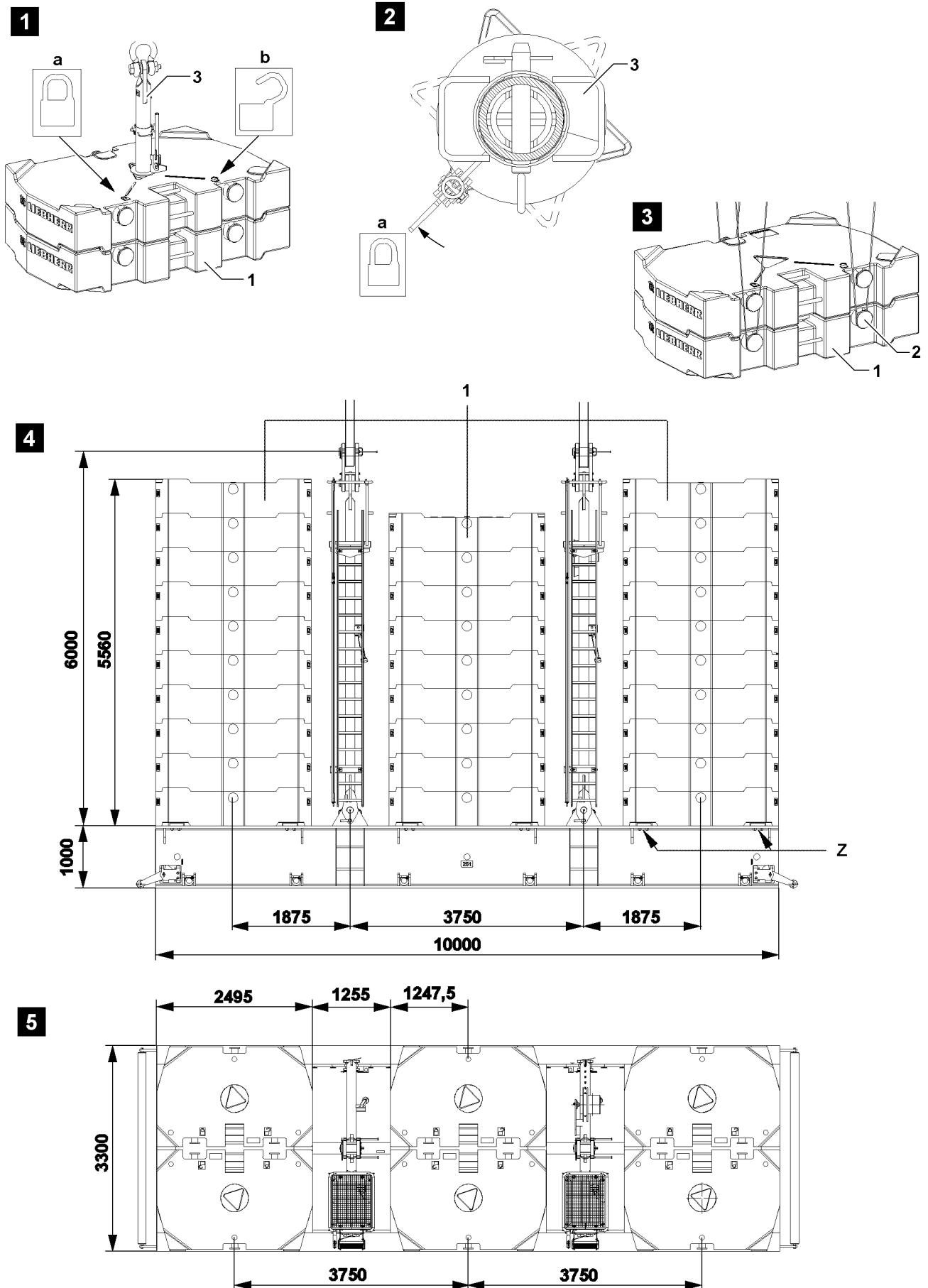


Fig.109595

LWE/LR 11350-005/19004-04-02/en

3.1.5 Ballasting

The ballast plates are marked with their own weights:

- A ballast plate **1** weighs 10 t.

Make sure that the following prerequisites are met:

- The ballast pallet is positioned in the lengthwise direction of the turntable.
- The ballast pallet is horizontally aligned.
- The derrick is set to the required radius.
- The erection racks are set up and secured with retaining pins.
- The ballast pallet is pinned and secured to the guying.



DANGER

Danger of accident when loading and unloading the ballast plates!

- ▶ The maximum overall weight of the ballast plates is 580 t.
- ▶ The ballast stacks on the left and right hand side must weigh the same and be the same height after ballasting.
- ▶ The height of the ballast stack may not exceed 5.56 m , measured from the upper edge of the ballast pallet.
- ▶ The ballast plates **1** must be secured to prevent them from moving or falling down.
- ▶ The ballast plates **1** on the ballast pallet must be centered correctly on the centering plates **Z** or on another ballast plate **1**.
- ▶ Do not use damaged ballast plates **1** and replace them immediately.
- ▶ The difference between the right and left hand side when ballasting or removing the ballast in a **suspended condition** may not exceed a maximum of 20 t.



DANGER

Danger of accident!

If more than the specified loads are lifted with the receptacle stud **3** or the ropes via the bits **2**, then components will be overloaded.

Ballast plates **1** can fall down and fatally injure personnel.

- ▶ Lift no more than maximum 20 t with the receptacle stud **3**, see illustration **1**.
- ▶ Lift no more than maximum 20 t with the ropes, 3 fastening points, see illustration **3**.



Note

- ▶ Position **a**, folded out lever points to the closed icon = receptacle stud **3** closed.
- ▶ Position **b**, folded out lever points to the open icon = receptacle stud **3** open to move in / out.

Make sure that the following prerequisite is met for lifting with the receptacle stud **3**:

- The receptacle stud **3** must be in position **a**: „Receptacle stud **3** closed“, see illustration **2**.
- ▶ Lift the ballast plates **1** individually or as an assembly, see illustration **1** and illustration **3**.
- ▶ Place the ballast plates **1** evenly distributed with the auxiliary crane and center them on the centering plates **Z** or on an already placed ballast plate **1**.

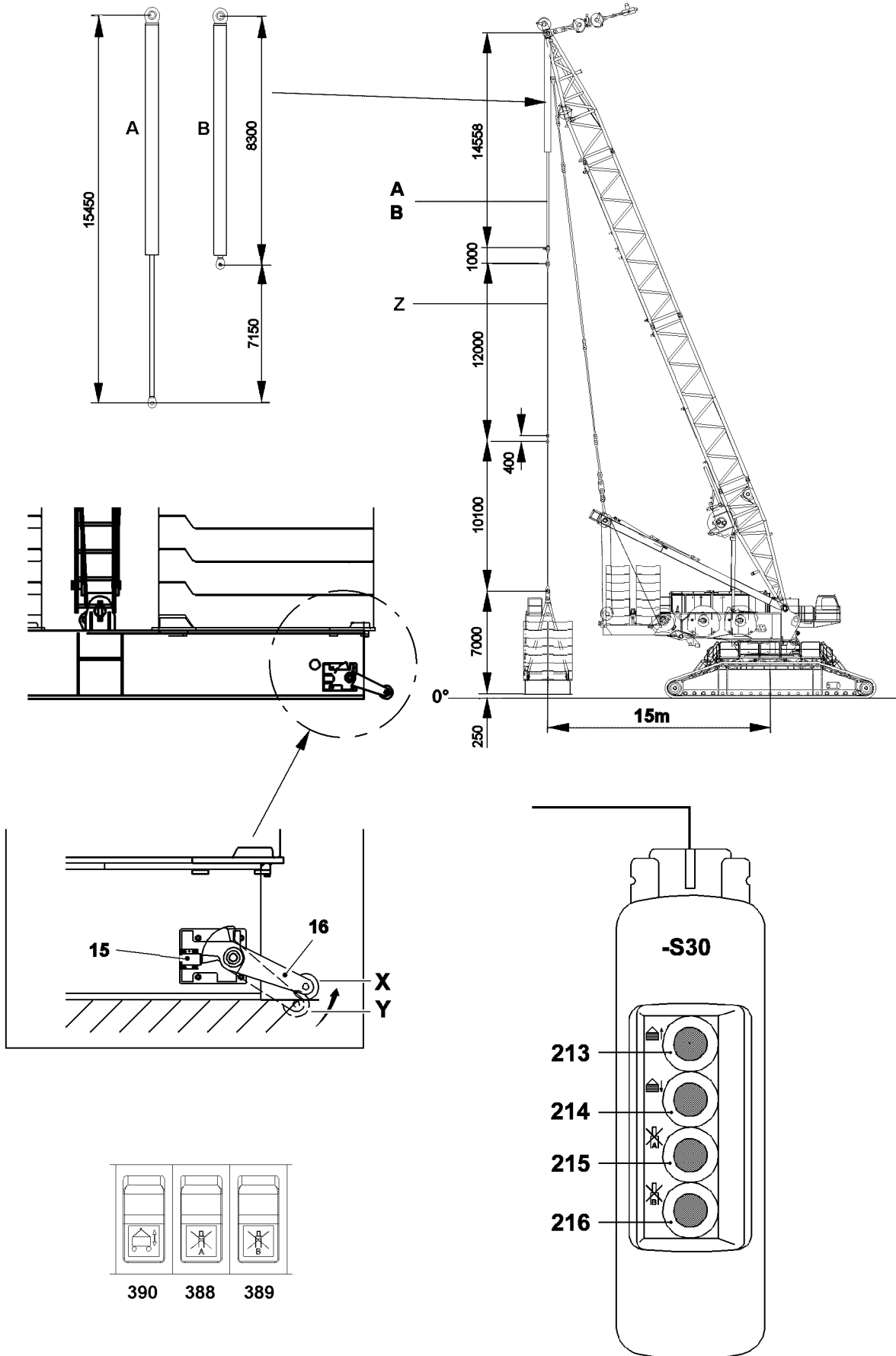


Fig.104258

LWE/LR 11350-005/19004-04-02/en

3.1.6 Establishing the electrical connection from the suspended ballast to the turntable

**Note**

▶ Establish the electrical connections from the suspended ballast to the turntable, see Electric wiring diagram.

▶ Establish the electrical connections.

3.1.7 Functional checks before lifting the derrick ballast

Make sure that the following prerequisites are met:

- The electrical connection between the derrick ballast and the turntable has been established.
- The cable of the cable drum is plugged in on the turntable.
- The ground contact rollers must move easily.

**DANGER**

Danger of accident if the derrick ballast touches the ground!

▶ If the ballast pallet touches the ground, **at least one** ground contact switch **15** must be actuated via the ground contact roller **16**.

▶ The crane movements **turning the turntable** and **driving the crawler** turn off.

▶ Manually lift the ground contact roller **16**.

▶ The ground contact switch **15** is actuated.

Result:

- The crane movements „turning the turntable“ and „driving the crawler“ turn off.

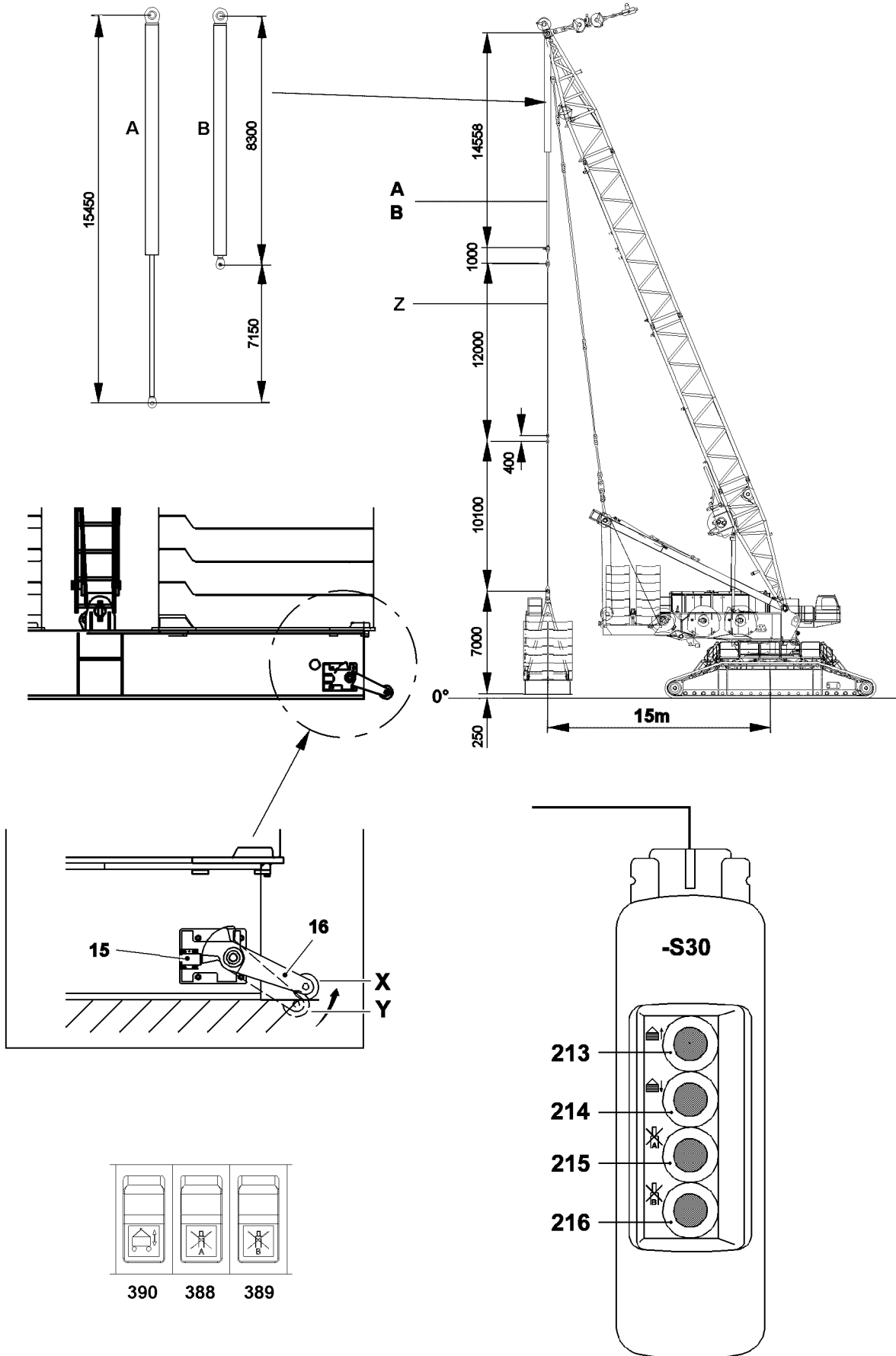


Fig.104258

3.1.8 Lifting the derrick ballast off the ground



WARNING

The crane can topple over!

If the derrick ballast is lifted up by the **maximum permissible** 250 mm off the ground, the crane can be topple over to the rear of the load rips off.

If the following notes are not observed, personnel can be severely injured or killed.

- ▶ There may be no personnel, objects or obstacles within the entire slewing range of the crane, derrick ballast and the load.
- ▶ Do not lift the derrick ballast by more than 250 mm off the ground.
- ▶ The ground in the entire working area of the crane - including the derrick ballast and the load - must be even and of sufficient load bearing capacity, in order to be able to securely accept the encountered ground pressures and weight loads.



Note

- ▶ Lifting of the derrick ballast must be observed by a guide.

Actuate the pull cylinders from the crane cab:

- Press button **390 on front**, the derrick ballast is lifted using the pull cylinders.
- Press button **390 on rear**, the derrick ballast is lowered using the pull cylinders.

Operate the pull cylinder from the control panel:

- Press button **213**, the derrick ballast is lifted using the pull cylinders.
- Press button **214**, the derrick ballast is lowered using the pull cylinders.



DANGER

Danger of accident!

- ▶ The control panel may only be used for assembly.
- ▶ During crane operation, the crane operator may **not** use the control panel to lift or lower the derrick ballast, since the monitors cannot be seen there.
- ▶ Lifting and lowering during crane operation may **only** be carried out from the cab.
- ▶ When lifting or lowering make sure that the difference of the forces in the ballast guyings is not too large.
- ▶ The LICCON shows both forces and will issue a warning if the difference is too large.
- ▶ See section „Differential force monitoring of ballast guying“.

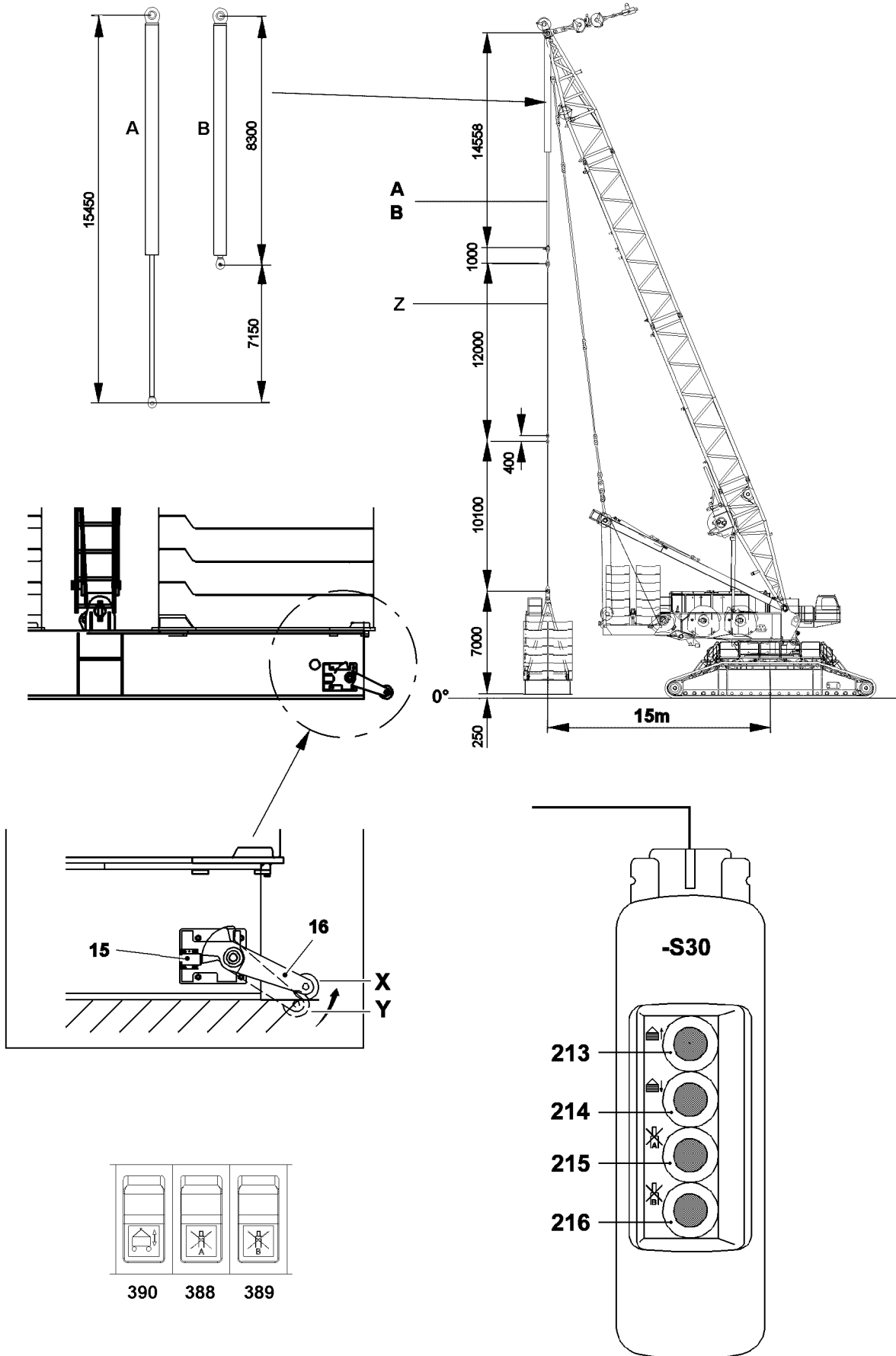


Fig.104258

LWE/LR 11350-005/19004-04-02/en

**DANGER**

Danger of accident!

- ▶ When lifting or lowering the derrick ballast, pay attention to the horizontal position.
- ▶ If the derrick ballast is only actuated via button **390**, button **213** and button **214** „derrick ballast UP / DOWN“, **without** simultaneously actuating button **388** or button **215**, „block cylinder (A) on derrick ballast“ or button **389** or button **216** „block cylinder (B) on derrick ballast“, then the horizontal alignment of the derrick ballast is regulated with the aid of a level sensor.
- ▶ With a ballast utilization of more than 90 %, the level sensor regulates the ballast trailer level to $\pm 0.3^\circ$.
- ▶ With a ballast utilization of less than 90 %, the level sensor regulates the ballast trailer level to $\pm 2.5^\circ$. This makes it possible to set the derrick ballast down up to a ground slope of 2.5° .
- ▶ By pressing the button **388** or button **215** „block cylinder (A) on derrick trailer“, or button **389** or button **216** „block cylinder (B) on derrick ballast“, the level sensor is bypassed and the ballast trailer can be set down intentionally on an incline. This is exclusively permitted for setting down the derrick ballast on uneven ground and only by observing utmost caution.
- ▶ If this is not observed, there is an increased danger of accidents.

-
- Press button **388** or button **215**, the left pull cylinder (A) is blocked.
 - Press button **389** or button **216**, the right pull cylinder (B) is blocked.
 - Press button **388** or button **215**, the left pull cylinder (A) is blocked.
 - Press button **389** or button **216**, the right pull cylinder (B) is blocked.

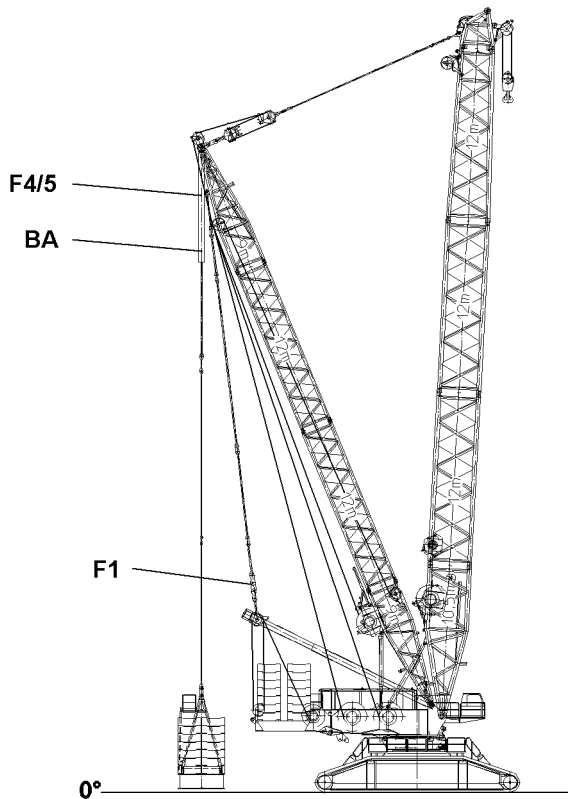
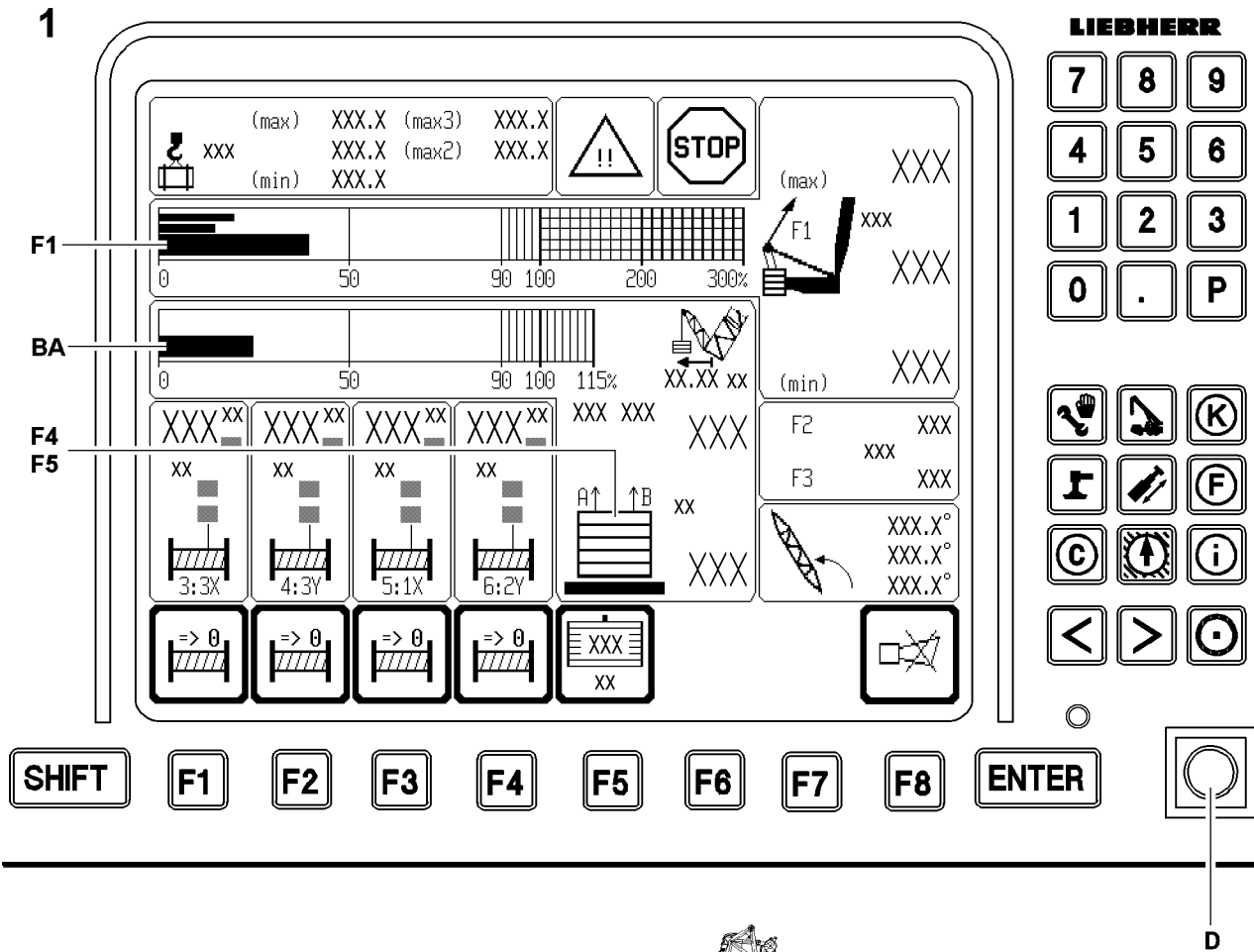


Fig.112891

4 Crane operation with derrick ballast

4.1 LICCON overload protection

On cranes with derrick ballast, during operation also under load, by increasing or reducing the derrick ballast, the maximum load or the minimum load required for the balance of the crane, can be increased or decreased.



Note

- ▶ The suspended ballast and ballast trailer are generally referred to as the **derrick ballast**.
- ▶ The fixed compensation weight which is installed on the turntable is generally referred to as the **counterweight**.

Make sure that the following prerequisites are met:

- The required derrick ballast according the load chart is placed and exactly entered and confirmed in the LICCON.
- The derrick is in operating position.

4.1.1 Pre-adjustments

- ▶ Adjust the LICCON overload protection according to the data in the load chart and confirm.



Note

- ▶ Enter the actual derrick ballast weight in the LICCON.
- ▶ Enter the actual reeving in the LICCON.

To set the derrick ballast, see Crane operating instructions, chapter 4.03.



DANGER

Danger of accident!

The set derrick ballast value must correspond to the actual derrick ballast weight added.

- ▶ Incorrect entry of the ballast weight can result in dangerous operating situations.
- ▶ Check the settings.

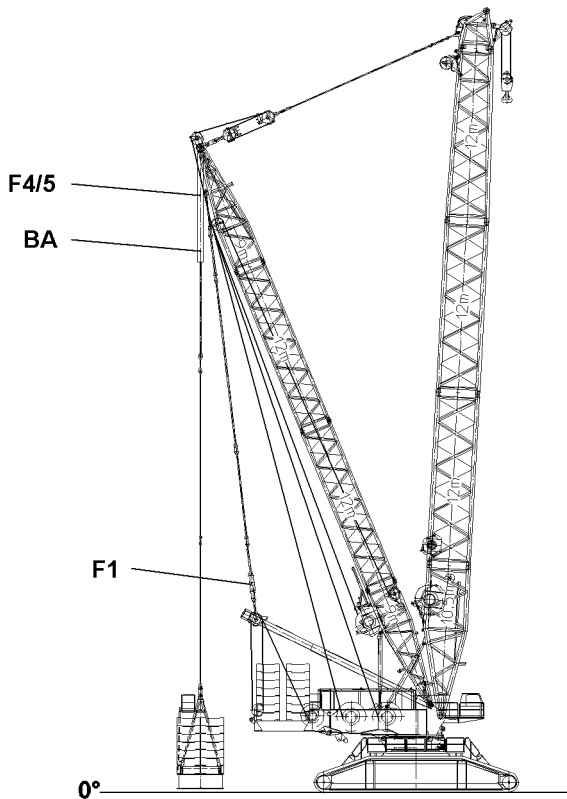
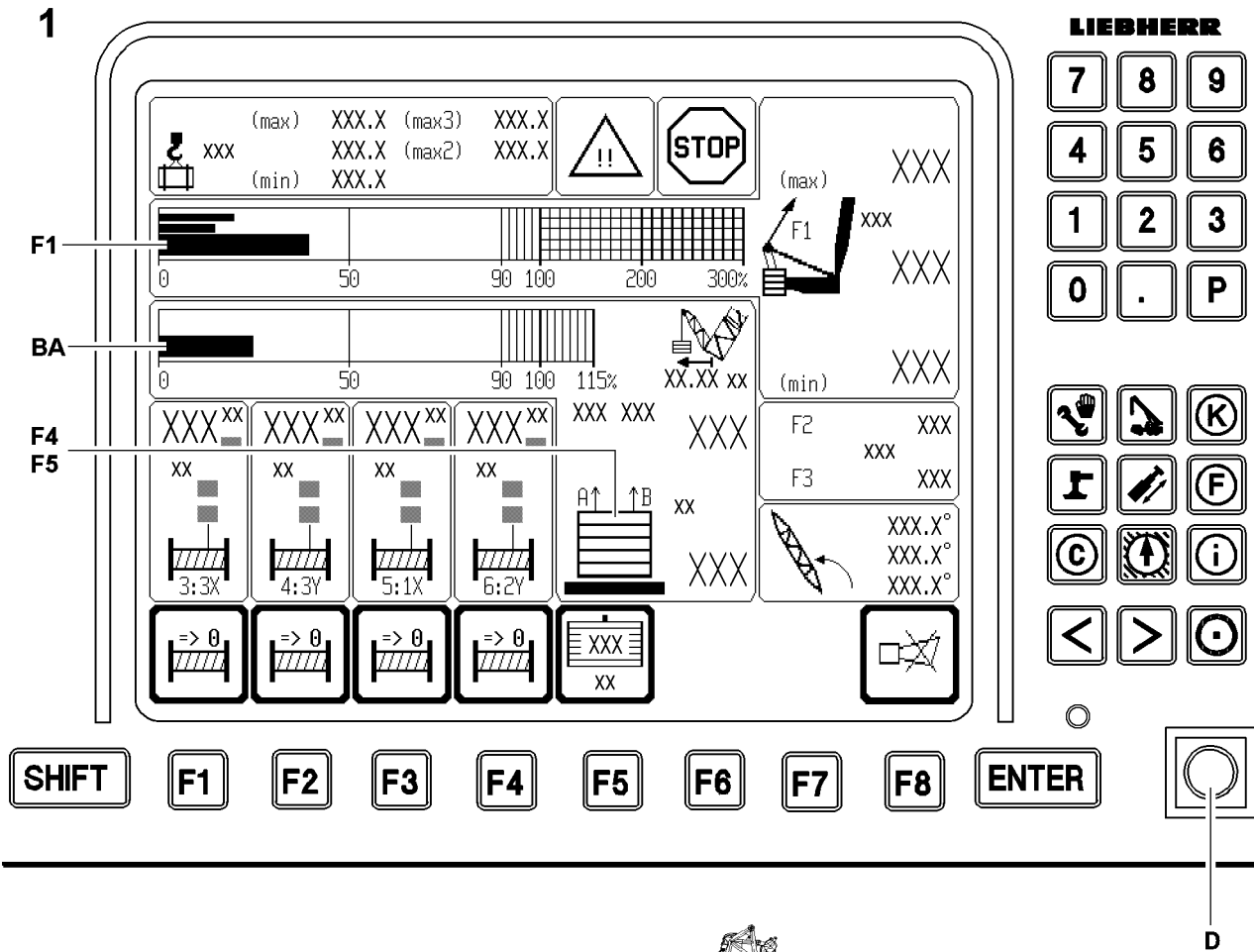


Fig.112891

4.2 Crane operation

**Note**

- ▶ For crane operation with derrick ballast, the data in the Crane operating instructions, chapter 4.02 must be observed and adhered to.

**WARNING**

Danger of toppling the crane!

The jerky execution / braking of turning maneuvers can cause the load or suspended derrick ballast to swing.

This can cause the boom to break or the crane to topple over.

Personnel can be severely injured or killed.

- ▶ There may be no persons or obstacles within the slewing range of the crane and the derrick ballast.
- ▶ While turning, a guide must watch the main boom, D-boom and derrick ballast for a danger of collision.
- ▶ The turning movement or braking must be initiated extremely carefully when turning with a load and suspended derrick ballast.

**Note**

- ▶ For crane operation observe the sections „Lifting the derrick ballast off the ground“ and „Difference force monitoring of the derrick ballast guying“.

- ▶ Monitor the extension condition of the pull cylinders and the incline of the derrick ballast.

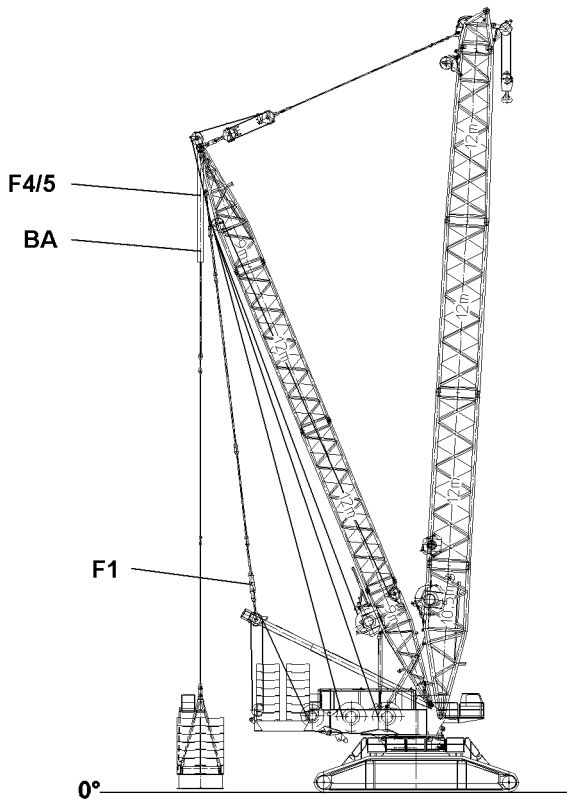
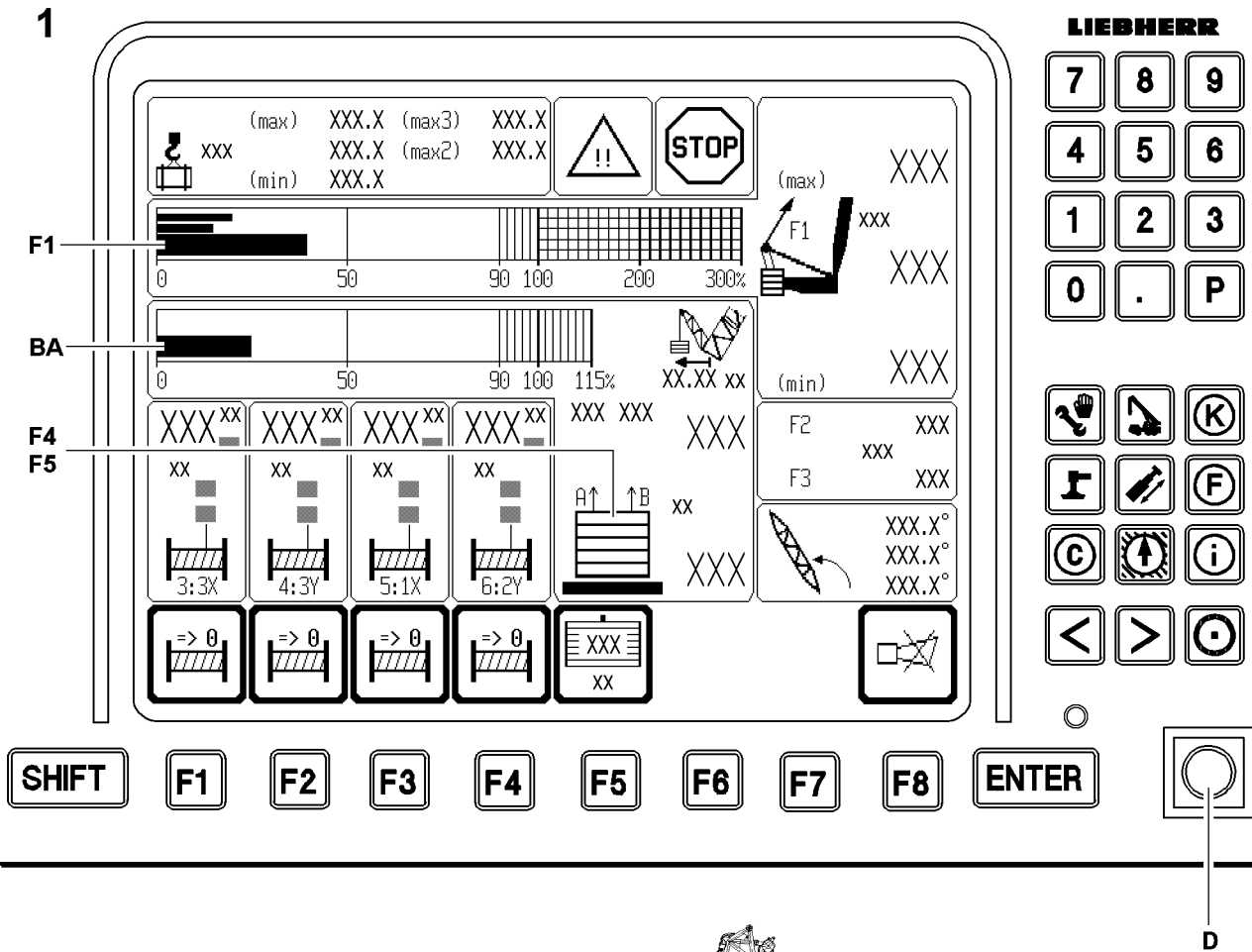


Fig.112891

4.3 Safety guidelines



Note

- ▶ The test points must be checked for function before crane operation.
- ▶ The weight of the load being lifted must be known.
- ▶ The placement surface of the derrick ballast should not be no more than maximum 0.25 m above - or 0.25 m below the level of the crane base.
- ▶ The placement surface on which the derrick ballast is placed after load lifting has been completed must be level, horizontal and of sufficient load bearing capacity in order to safely support the weight.



CAUTION

Danger of accident!

- ▶ Before setting down the load and the suspended derrick ballast, the crane operator must make sure that a safe placement of load and suspended derrick ballast is ensured.



Note

- ▶ There should not be any obstacles in the slewing area of the crane, derrick ballast and load.
- ▶ The lifting of the derrick ballast must be supervised by a guide or the crane operator.



DANGER

Danger of accidents due to angular pull!

Due to angular pull, impermissible side forces are initiated in the crane, which can lead to breakage of crane parts.

If this is not observed, there is a danger of tipping when lifting with ballast plates and this could cause the crane to topple over.

- ▶ Before taking on a load or the derrick ballast, make sure that the derrick ballast, the center of rotation of the turntable and the load are on one line.

When taking on a load, the guying from the derrick ballast to the derrick head must be relieved to the point where the F1-actual force (F1-act) is larger than the F1-minimum force (F1-min).



DANGER

Danger of accident!

- ▶ The guying between the SA-frame and the derrick end section, test point 1, may never be slack.
- ▶ This could cause uncontrolled movements of the boom system and an accident.

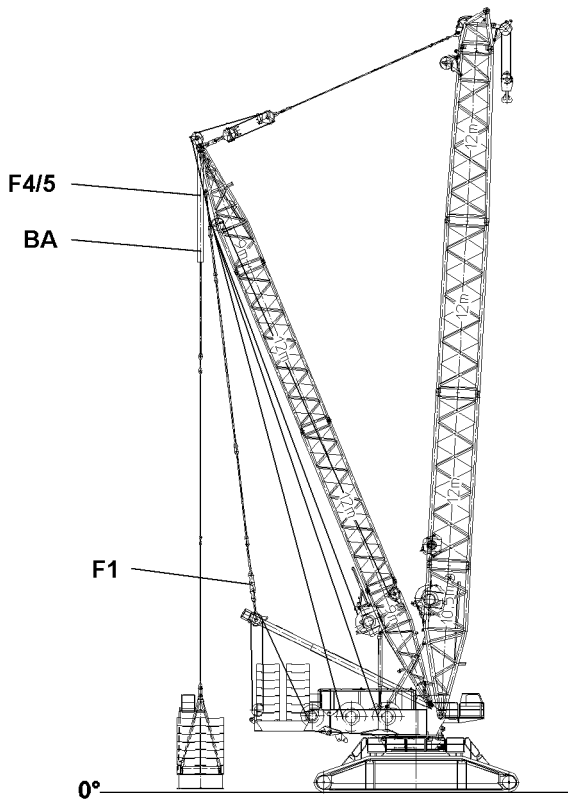
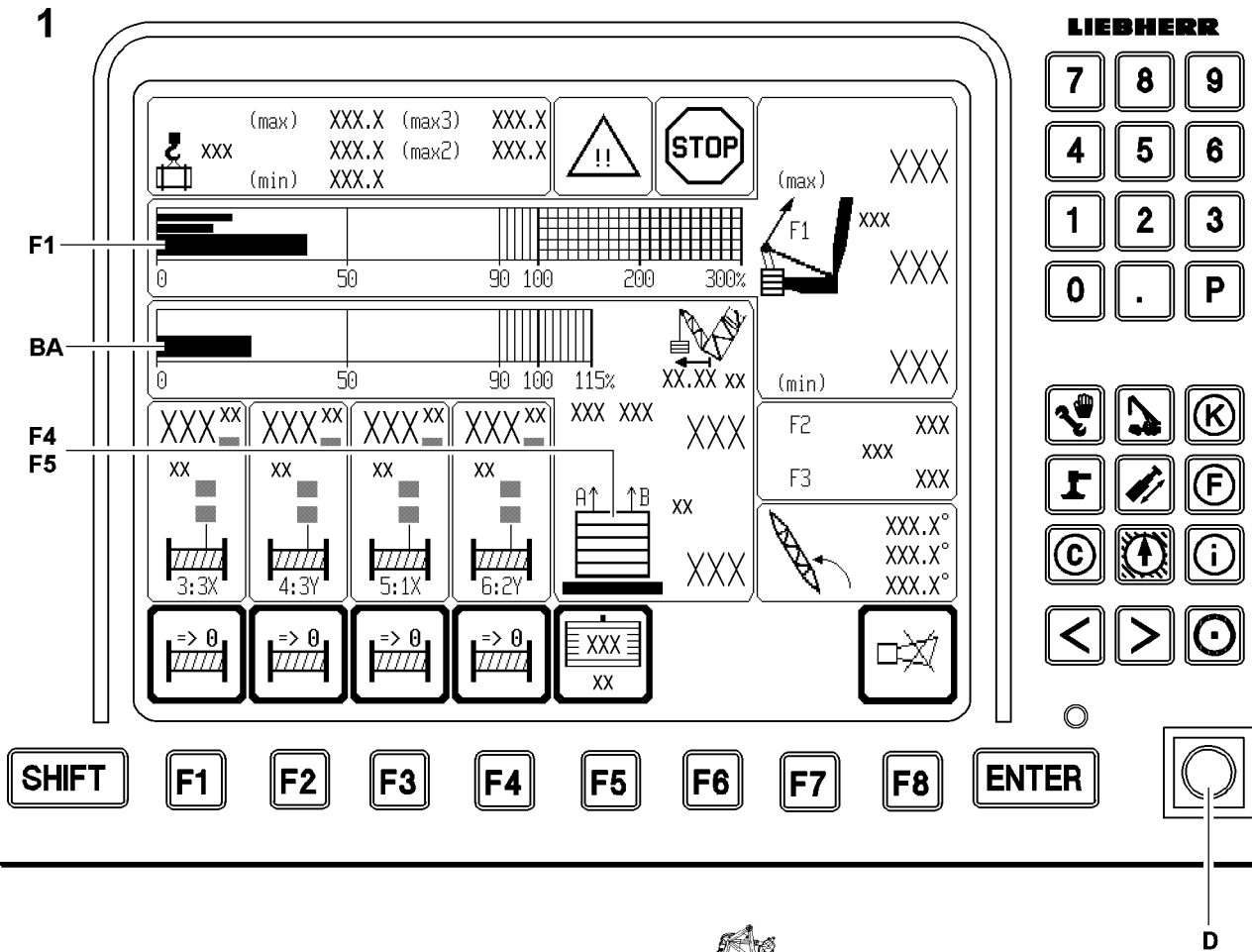


Fig.112891

4.4 Determination of forces in operating mode with derrick ballast

In all operating modes with derrick ballast, the load is divided between the guy posts from the derrick head to the SA-frame (F1) and the derrick ballast (F4/5).



Note

► See Crane operating instructions, chapter 4.02.

4.4.1 Force F1 (Test point 1) between guying SA-frame - Derrick end section

The force F1 (test point 1) is determined in the guy rods from the SA-frame to the derrick head via 2 force test boxes and is shown on the LICCON as total force of the guying.

The F1 - utilization is determined from the F1 operating force and the F1-maximum operating force. This is shown on the LICCON in a utilization bar (F1) in percent.

4.4.2 Force F4/5 (measuring point 4/5) guying derrick ballast - derrick head

The forces F4/5 (test point 4/5) are effective in the guy rods from the derrick ballast to the derrick head.

The existing forces in the guy rods (A = left and B = right) are calculated from the four pressure sensors, which are installed on the pull cylinders and shown in the LICCON as individual forces.

The ballast being pulled is calculated from the forces in each guying, i.e. the proportion of ballast which is pulled up by the guying. The remaining part is laying on the ground. The derrick ballast utilization results from the pulled ballast and the placed ballast. This is shown on the LICCON monitor1 with a utilization bar (BA) in percent.

Pull cylinder on block



DANGER

The crane can topple over!

By completely moving one or both pull cylinders in (block position moved in), the pressure increases strongly on the ring surface of the pull cylinder and the weighing of the currently pulled derrick ballast is incorrectly calculated and displayed.

The LICCON overload protection therefore assumes that a larger derrick ballast is pulled than is actually the case, and calculates too large a load capacity as a result.

An overload of the crane is recognized too late by the LICCON overload protection and the crane can topple.

Personnel can be severely injured or killed.

- If the pull cylinder are in block position „moved in“, **crane operation is explicitly prohibited.**
- The forces in the derrick ballast guying A and B must be carefully monitored on the LICCON monitor.
- Potentially occurring error messages must be observed.



WARNING

The LICCON overload protection shuts off too early!

By moving one or two pull cylinder completely out (block position moved out), the LICCON overload protection calculates a load which is too low.

Possible shut off by the LICCON overload protection takes place too early.

- If the pull cylinders are in block position „moved out“, crane operation on the basis of reduced load is not meaningful.

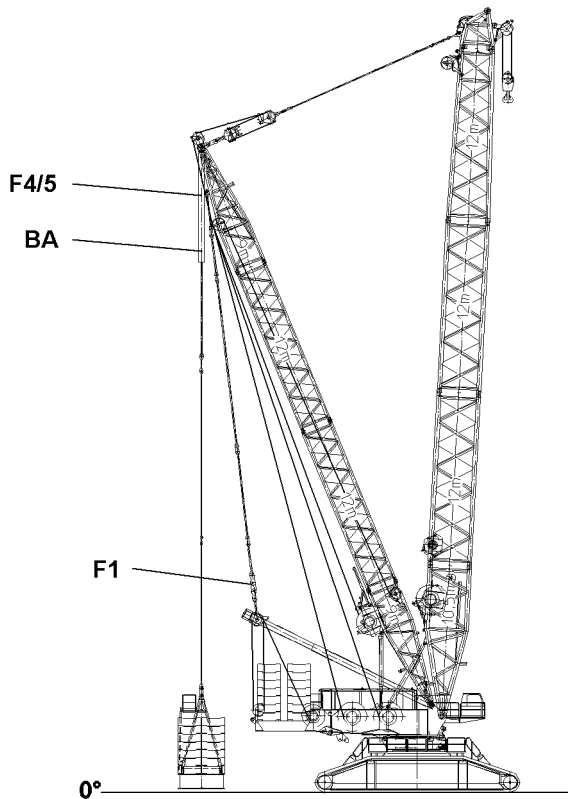
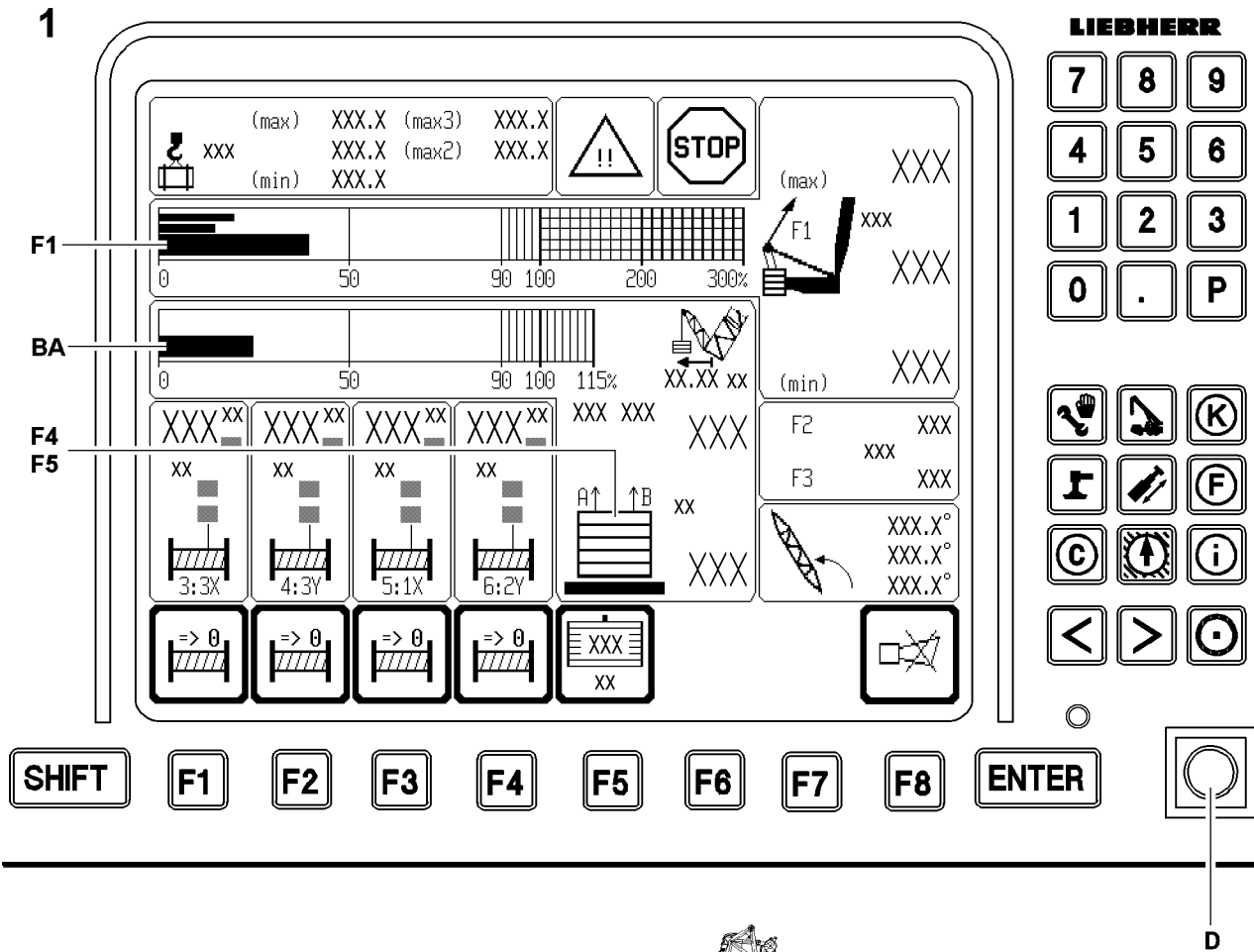


Fig.112891

4.4.3 Monitoring of minimum force F1

If more than 50 % of the set derrick ballast is being pulled (ballast utilization bar > 50 %) and the minimum force $F1_{\min}$ (test point 1) is fallen below, all crane movements that **increase load torque** are turned off.



DANGER

Danger of accident!

It is prohibited to let the minimum force $F1_{\min}$ (test point 1) fall below if more than 50 % of the derrick ballast is pulled. If this is not observed, in case of slack tension of test point 1 ($F1$) and **derrick ballast on the ground**, the derrick ballast can suddenly lift off the ground due to the increased load torque and the boom system can suddenly move forward. This causes the load to swing back and forth too much, which could damage the boom and the crane.

► Do not fall below the minimum force - $F1_{\min}$.

If more than 90 % of the set derrick ballast is being pulled (ballast utilization bar greater than 90 %) and the force drops below the minimum value $F1_{\min}$ (test point 1), then all crane **movements that increase the load torque** and all **crane movements that decrease the load torque** are turned off. This also turns the „spooling out“ movement of the winch off.



DANGER

Danger of accident!

It is prohibited to let the minimum force $F1_{\min}$ (test point 1) fall below if more than 90 % of the derrick ballast is pulled. If this is not observed and the load torque is increased when the guying is slack at test point 1 ($F1$) and the derrick ballast is suspended, the derrick ballast can suddenly drop to the ground, causing the boom system to suddenly move backwards. As a result, the relapse cylinders can be pressed on block and be overloaded. There is the danger that the relapse cylinders on the boom and D-boom will be damaged. This causes the load to swing back and forth too much, which could damage the boom and the crane.

► Do not fall below the minimum force - $F1_{\min}$.



Note

- By activating the assembly operation, the test point 1 - minimum force ($F1_{\min}$) is reduced by a few tons, this allows one to reverse the movement and retreat from the situation in which the $F1_{\min}$ shut off occurred.
- This is the only exception on the crane, where, after a shut off, a load torque increasing movement may be continued in assembly operation.



DANGER

Danger of accident!

If the LICCON overload protection is exceeded, there is no further protection against crane overload. There is an increased danger of accidents.

Personnel can be severely injured or killed.

► The crane operator carries complete and sole responsibility for his actions if the LICCON overload protection is exceeded.

After shut off via $F1_{\min}$ the force $F1$ on test point 1 must be increased by a movement. If the derrick ballast is suspended, this can be achieved by setting down the ballast.

If the assembly operation is already activated and the $F1$ -force continues to drop below the minimum force $F1_{\min}$ which was reduced in assembly operation, then the $F1_{\min}$ shut off can no longer be bypassed.

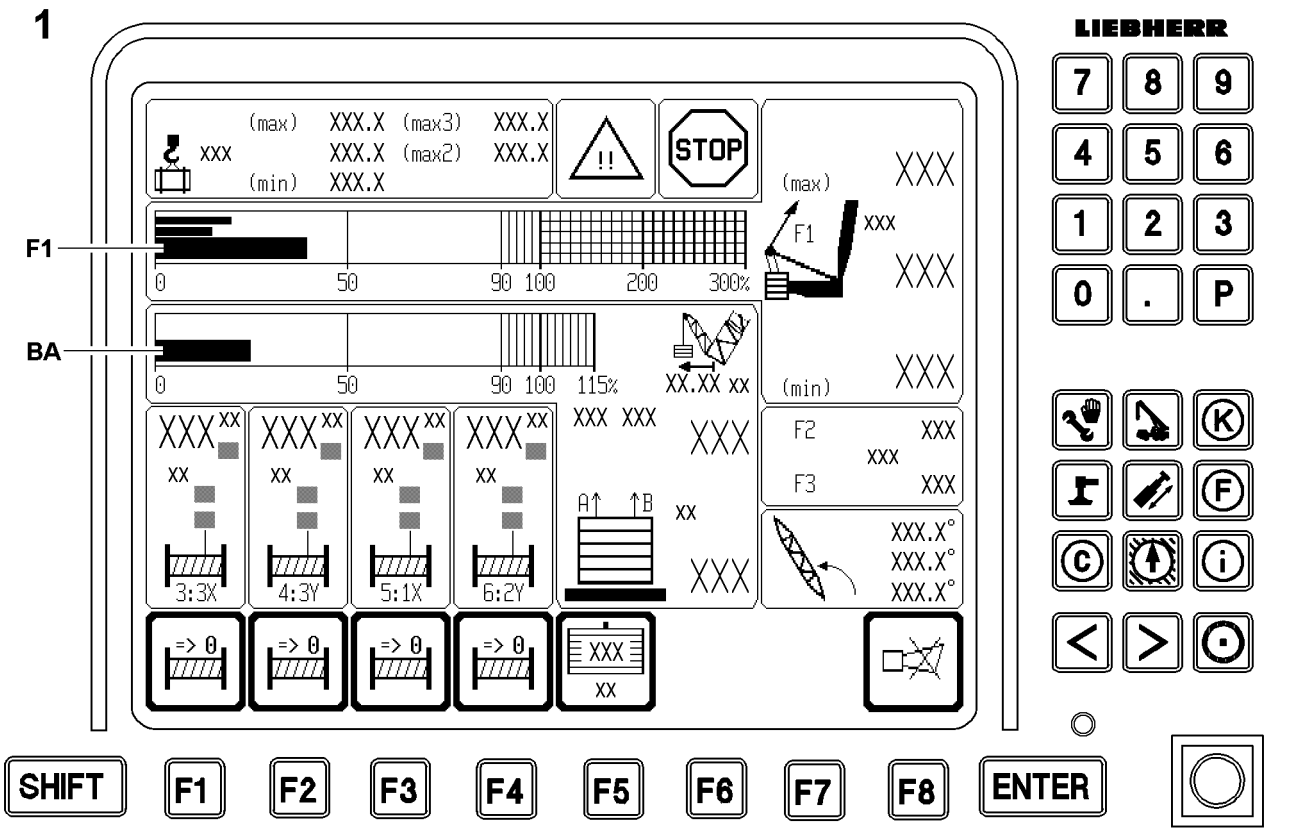
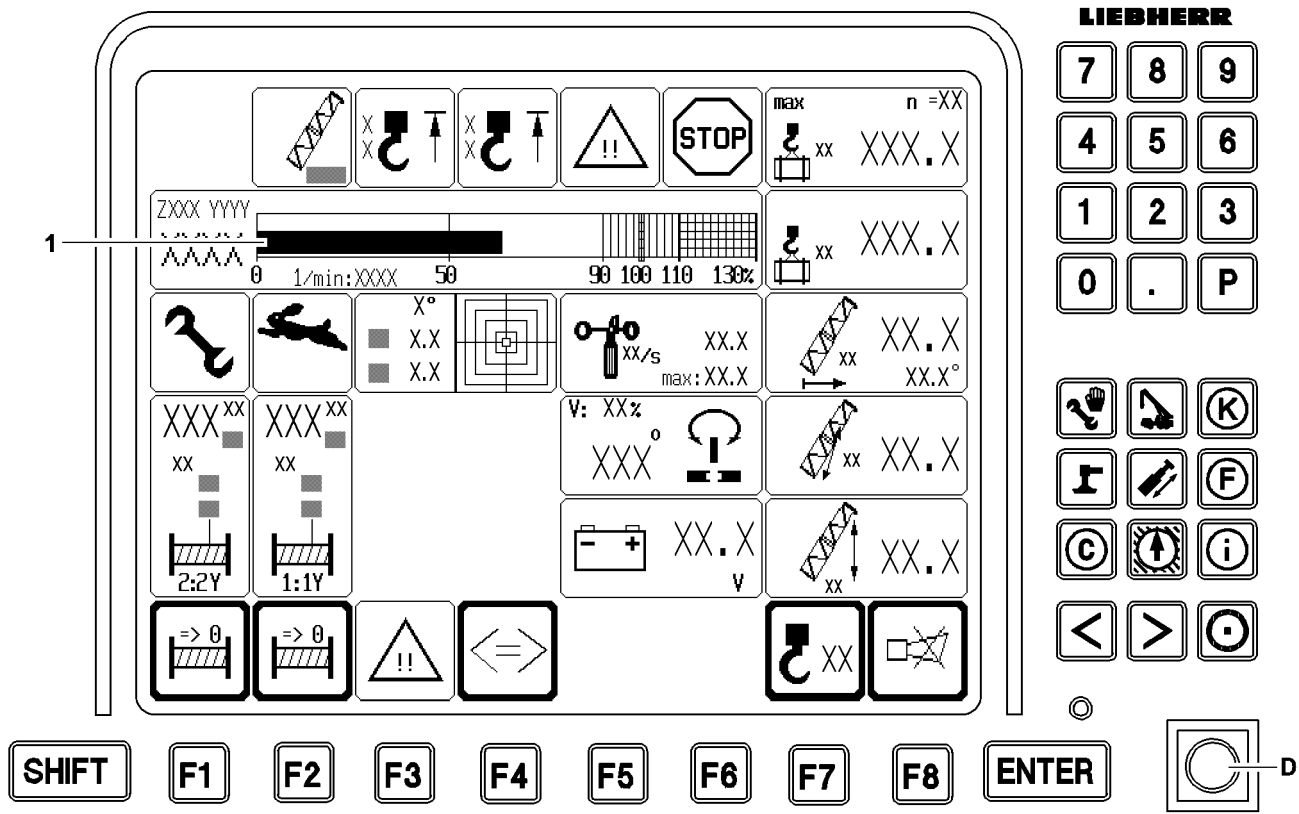


Fig.112890

4.5 Overload monitoring in operating mode with derrick ballast

In operating modes with derrick ballast, the „maximum load for the current crane condition“ is monitored two ways:

1. Monitoring of maximum load on the LICCON monitor 0
2. Monitoring of test point 1-operational maximum force LICCON monitor 1

4.5.1 Monitoring of maximum load on the LICCON monitor 0

It monitors the „maximum load according to load chart and reeving“.

In operating modes with derrick ballast, this is the maximum load of the current crane condition. It is shown on LICCON monitor 0. The current utilization of the crane results from the load utilization bar (1) on LICCON monitor 0.

If the load utilization bar reaches 90 %, an advance warning is given in the form of a „caution icon“ and a „SHORT HORN“ on LICCON monitor 0.

At 100 % on the load utilization bar, the shut off of all load torque increasing movements with the „stop icon“ and the acoustical warning „HORN“ occurs on LICCON monitor 0.



Note

- ▶ The „maximum load of the current crane condition“ can possibly be increased further, refer to section „utilization conditions“.

4.5.2 Monitoring of test point 1-operational maximum force (= $F1_{max}$ operation)

It is shown on LICCON monitor 1. When $F1$ is greater than $F1_{max-shut\ off\ value}$ shut off of all movements which could increase load torque with the stop icon and the acoustic warning „HORN“ by LICCON monitor 1.



Note

- ▶ The maximum load can be safely monitored by the „LICCON overload protection“ itself.
- ▶ The „ $F1_{max}$ -monitoring“ is an additional monitoring function which shows the overload parallel to the „LICCON overload protection“.
- ▶ In all cases, where the maximum load capacity according to the load chart „max-load“ is smaller than the maximum load of the current equipment configuration with optimal derrick ballast „max3-load“, which means „max-load“ appears smaller „max3-load“, when lifting the maximum load, the monitor display looks as if the „LMB utilization bar of the crane“ is at 100 % and the „F1 utilization bar“ is approximately at 100 %.
- ▶ At the just completed LMB-Stop („current load“ / „max-load“ greater than 100 percent) $F1_{actual}$ already lies just over $F1_{max}$ or just below. There is a certain tolerance due to the component weights and the wind influences. Since the maximum load can always be raised, shut off will not occur at $F1_{actual} / F1_{max}$ greater than 100 %. Shut off will only occur at $F1_{actual} / F1_{max\ operation\ shut\ off\ value}$. For this crane, the following applies: $F1_{max\ operation\ shut\ off\ value} = F1_{max\ operation} + F1_{addition\ for\ shut\ off}$ (also see Crane operating instructions, chapter 4.02). The $F1_{addition\ for\ shut\ off}$ is selected such that $F1_{max\ operation\ shut\ off}$ may normally never come about. This shut off provides an additional safety, particularly in cases with „max-load“ smaller „max3-load“. For example, if the load weighing is far too low due to a sensor failure, then a load would be pulled which would be greater than the maximum permissible load without shut off of the LICCON overload protection. The crane could be overloaded. In this particular case, with the „max-load“ smaller than the „max3-load“, with $F1_{max}$ larger $F1_{max\ operation\ shut\ off\ value}$ the $F1_{max\ shut\ off}$ triggers. In this case, the crane is already slightly overloaded, however shut off prevents an overload in certain cases or toppling of the crane. This means that the $F1_{max\ operation\ shut\ off}$ can protect the crane from overload in certain cases.
- ▶ Make sure that the load weighing and the shut off function reliably on the maximum load.

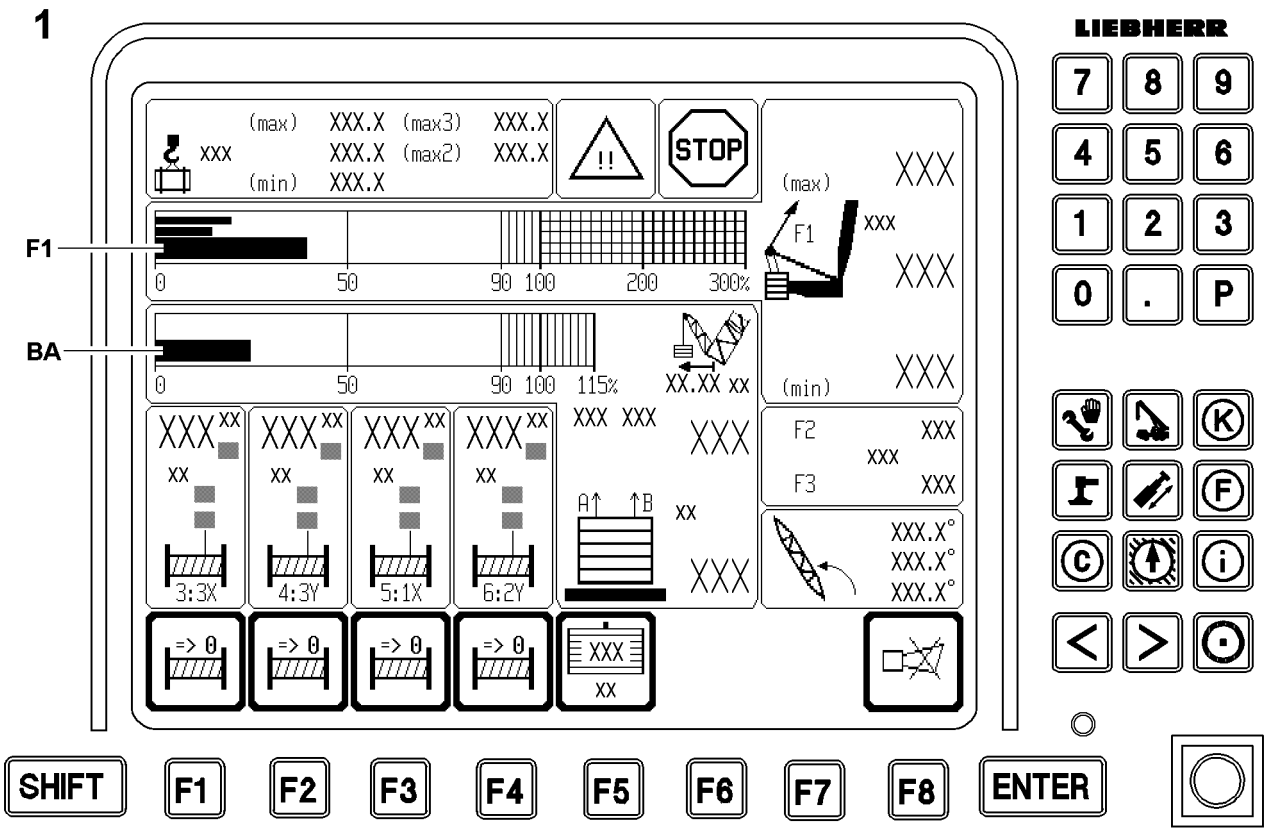
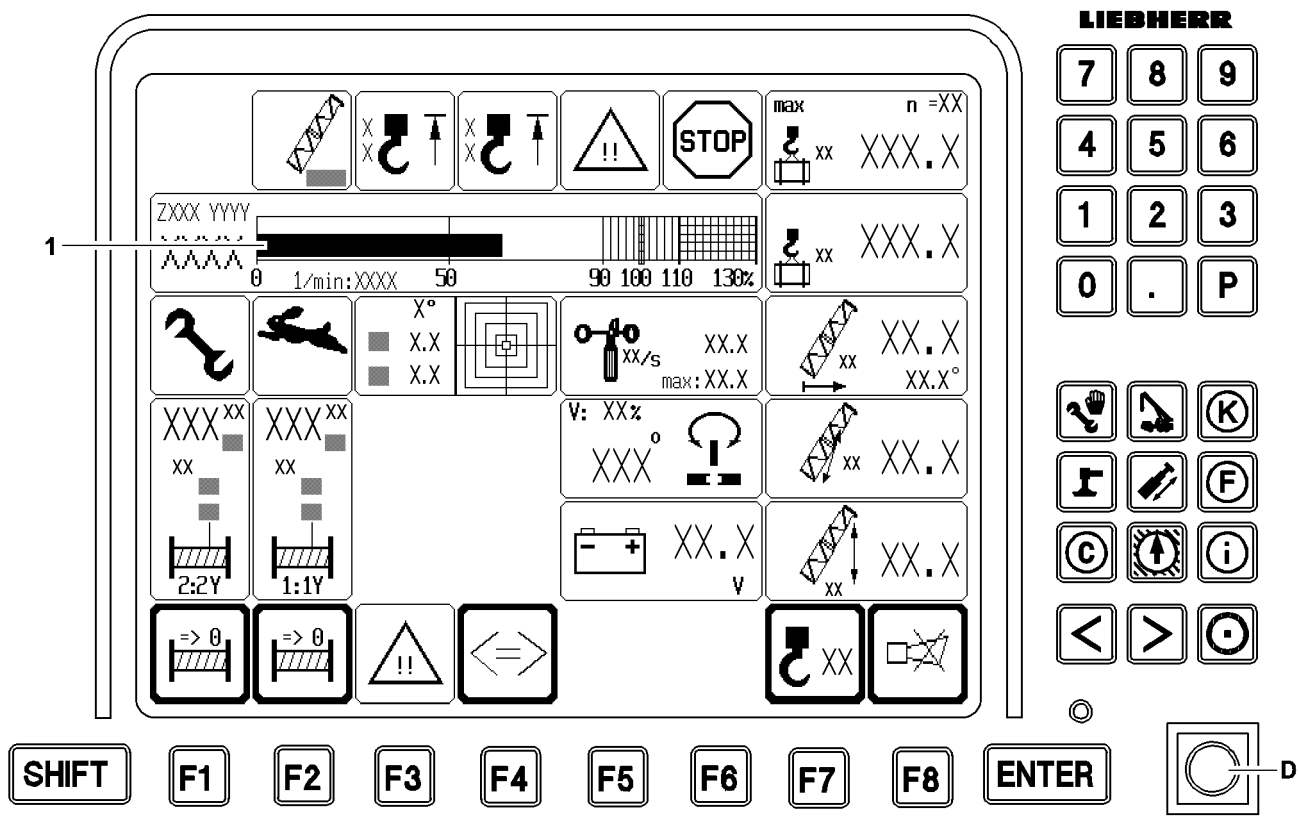


Fig.112890

**DANGER**

The crane can topple over!

In cases with „max-load“ = „max3-load“, the $F_{1_{max}}$ -shut off value does not offer protection. The $F_{1_{max}}$ shut off value is so high that the crane will probably topple over or be damaged before the shut off value is reached.

- ▶ Carefully monitor the displays on the LICCON monitor.

**WARNING**

Danger of accident!

- ▶ The test point 1-Operation-Maximum force not only depends on the current set up configuration but also on the force measured with the pressure sensors in the pull cylinders.
- ▶ If the pulled derrick ballast is larger, then the maximum permissible $F_{1_{max}}$ force is generally reduced and vice versa.
- ▶ It is therefore important to carefully monitor the ballast weighing and the value for the pulled derrick ballast to ensure that this value is even plausible.

**DANGER**

The crane can topple over!

If the pulled derrick ballast value has been incorrectly determined and is too low, the calculated $F_{1_{max}}$ may be too high and the crane could be overloaded or topple over without this becoming evident.

- ▶ Carefully monitor the displays on the LICCON monitor.

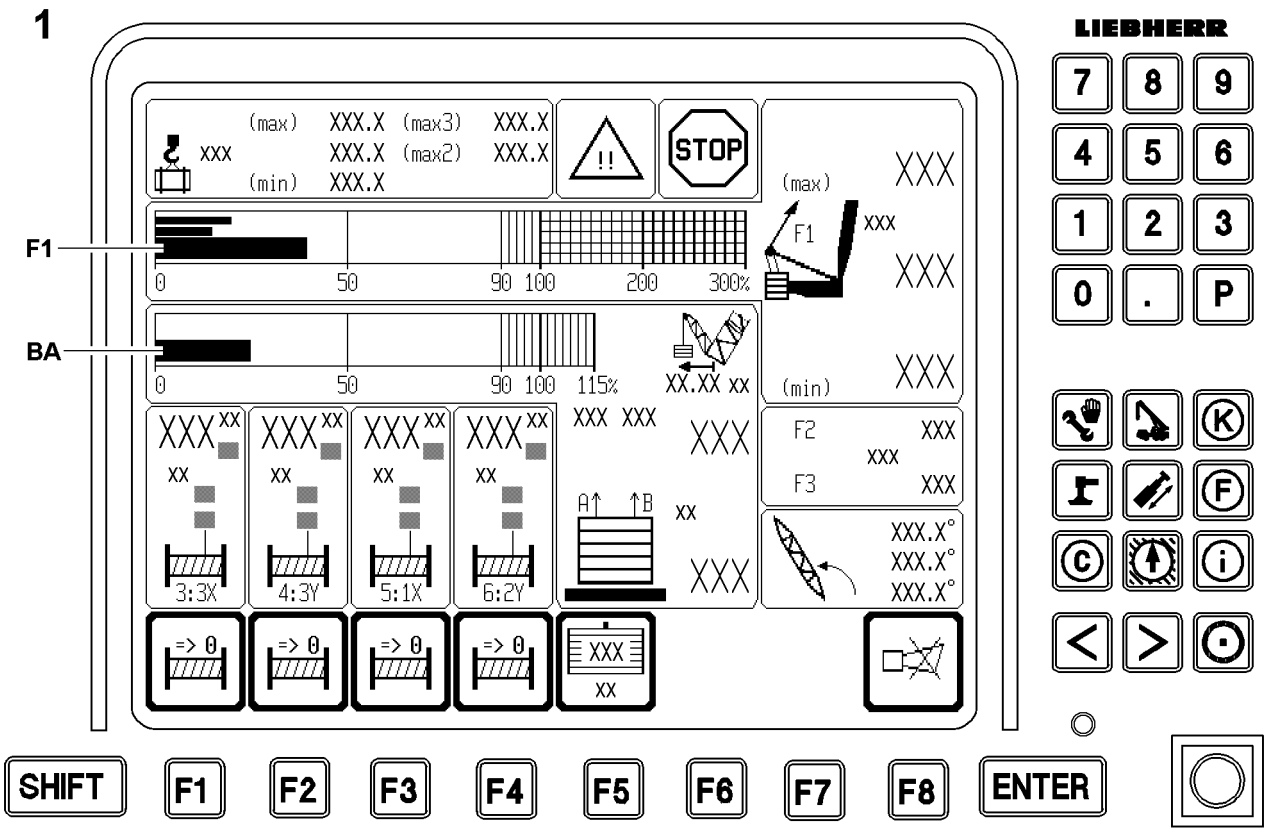
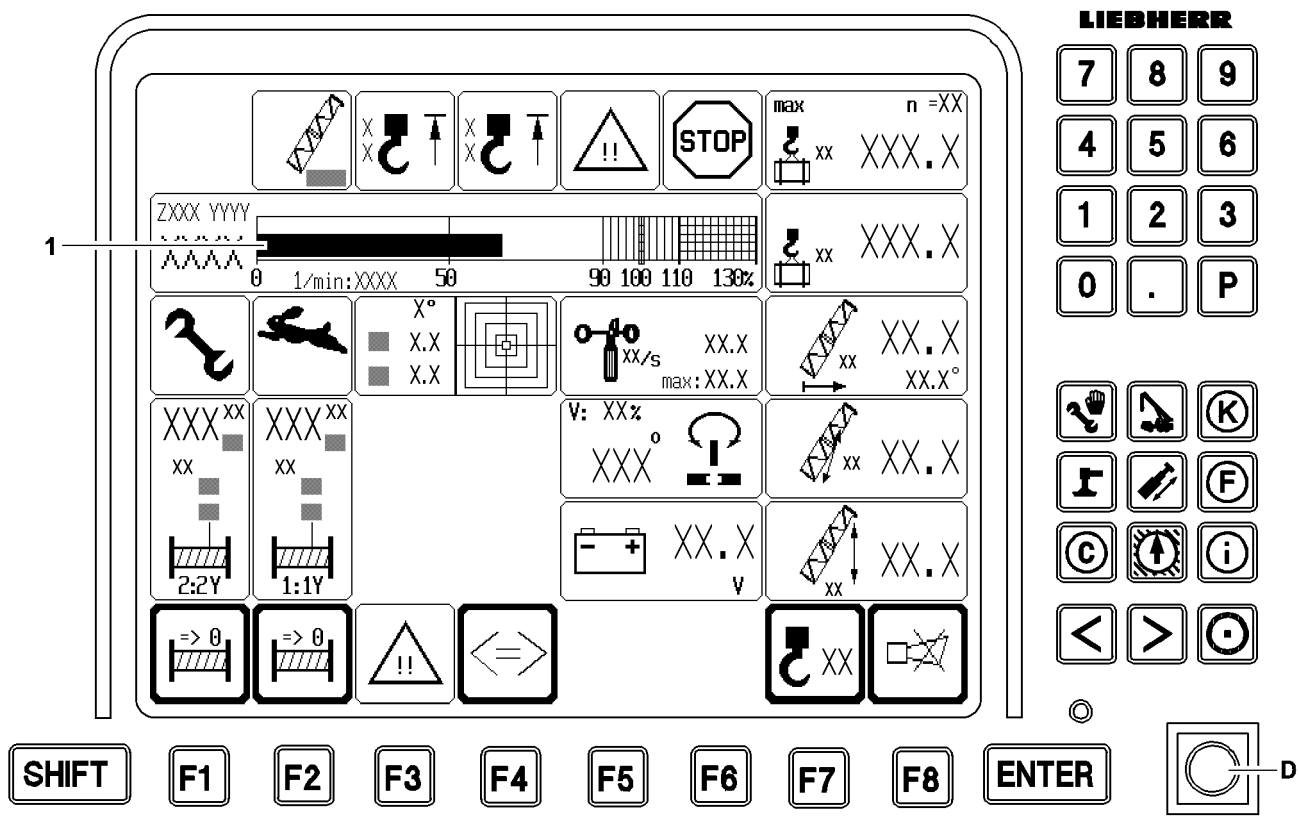


Fig.112890

4.5.3 Utilization conditions

The current utilization of the crane results from the „utilization bar of the crane“ **1** on the LICCON monitor 0.

Max. load:

- The „maximum load capacity in the current operating condition („**max-load**““ is obtained, when the „utilization bar of the crane“ **1** displays 100 percent.
This is the case when the „utilization of the crane according to the load chart and reeving“ reaches 100 % („Current load“ is equal to the „Maximum load“).
When the „max-load“ is smaller or equal to the „max2-load“, then the „max-load“ can be increased through:
 - Pulling up the derrick ballast, if the derrick ballast is not already suspended and the currently pulled derrick ballast is still smaller than the optimum derrick ballast.

Max2-load:

- The „maximum load capacity of the current crane equipment“ („**max2-load**““ is obtained when the „crane utilization bar of the crane“ **1** is at 100 % **and** the „derrick ballast utilization bar display“ **BA** is greater than or equal to 100 % (the current derrick ballast is completely lifted off the ground), and the derrick ballast input value and the ballast weighing are correct.
This is the case when the „current load“ and the „max2-load“ reaches 100 percent („current load“ is equal to the „max2-load“).
When the „max2-load“ is smaller than the „max3-load“, then the „max-load“ can be increased through:
 - Increasing the derrick ballast by adding additional ballast plates if the placed derrick ballast is still smaller than the optimum derrick ballast.

Max3-load:

- The „maximum load capacity of the current set up configuration with optimum derrick ballast“ („**max3-load**““ is obtained when the „crane utilization bar“ **1** stands at 100 % **and** the „derrick ballast utilization bar display“ **BA** is at 100 % (the optimal derrick ballast is completely lifted off the ground), and the derrick ballast input value and the ballast weighing are correct.
This is the case when the „current load“ and the „max3-load“ reaches 100 percent („current load“ is equal to the „max3-load“).
Here, the optimum derrick ballast is already entirely pulled.
Further increasing the derrick ballast at this derrick ballast radius will not increase the load further than „max3-load“.



Note

- ▶ In some cases it may be possible to increase the load capacity, in some cases reducing the derrick ballast radius as well; refer to the load chart manual or LICCON job planner.

This also applies for:

- „Current load“ equal to „max-load“.
- „Current load“ equal to „max2-load“.

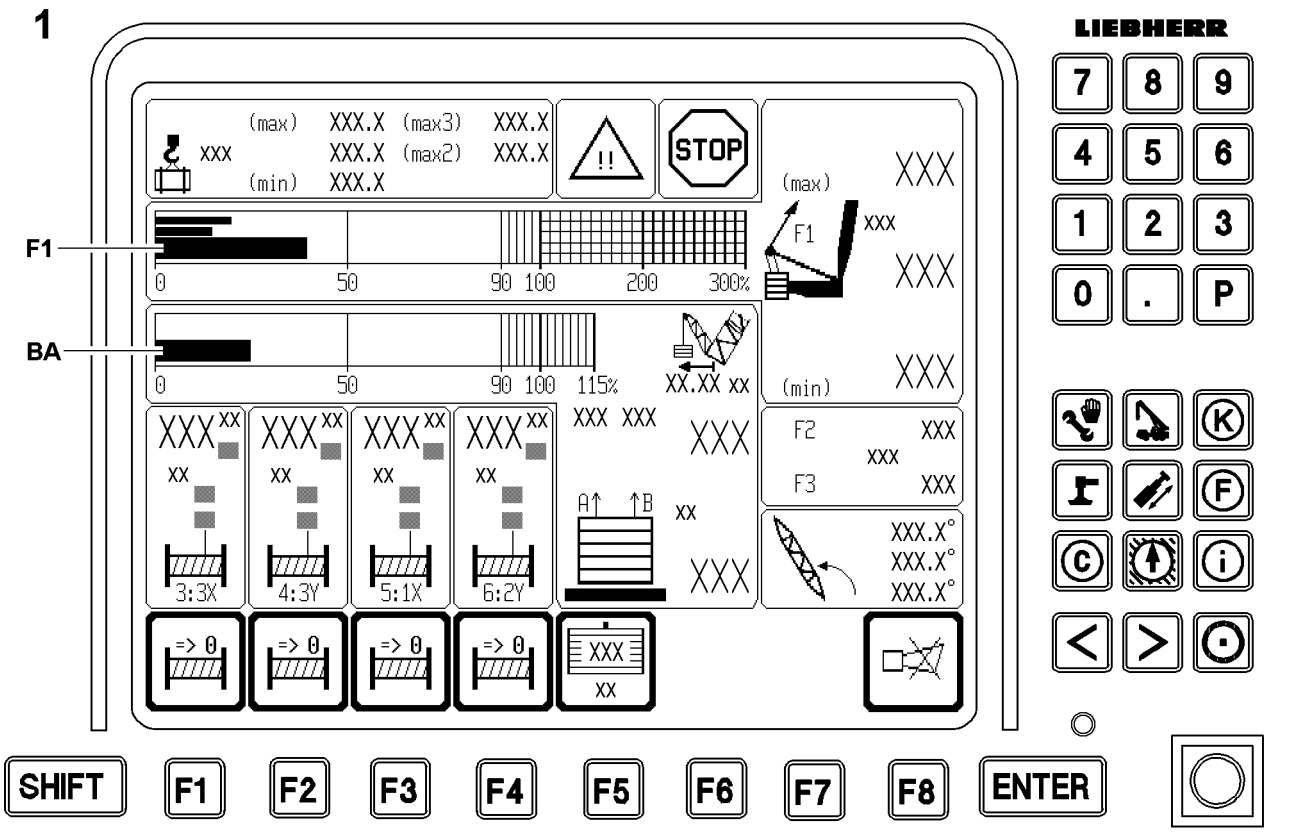
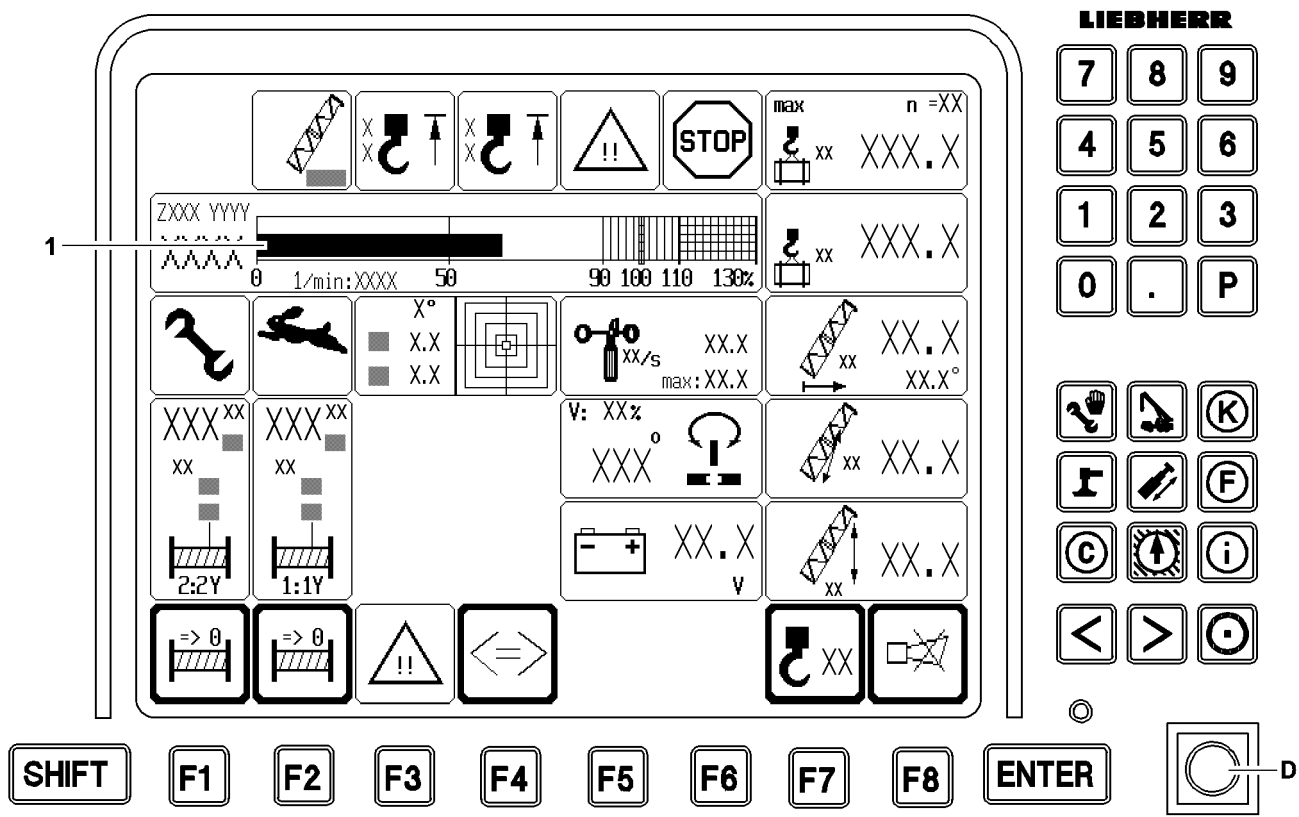


Fig.112890

Activating assembly operation / bypass of the LICCON overload protection

- Activate assembly operation, see Crane operating instructions, chapter 4.02.

**WARNING**

The crane can topple over!

When the assembly operation is activated, the LICCON overload protection is exceeded.

In the event of deliberate improper use, the crane could collapse, the boom can break off or the crane can topple over.

Personnel can be severely injured or killed.

This could result in high property damage.

- ▶ The assembly operation may only be actuated by persons who know the effects of a bypass.
- ▶ When the assembly operation is activated, only load torque reducing crane movements may be carried out until a permissible operating and load range.
- ▶ Actuate the assembly operation only when the set up status was correctly entered into the LICCON computer system.
- ▶ Turn the assembly operation off immediately after reaching the permissible load range.
- ▶ The crane operator alone is responsible completely for his actions during bypass of LICCON overload protection.
- ▶ Crane operation with the assembly operation turned on is strictly prohibited.

**Note**

- ▶ The movement „Derrick ballast up“ or „Derrick ballast down“ requires utmost attention by the crane operator.

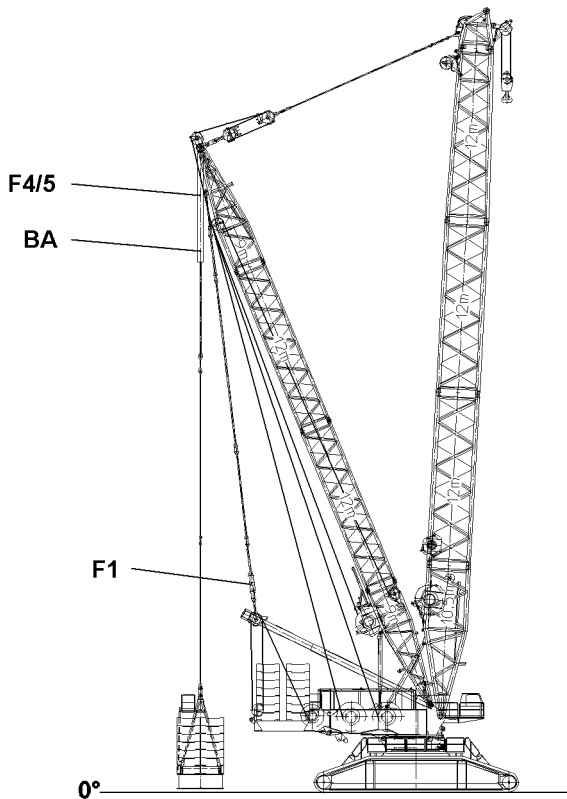
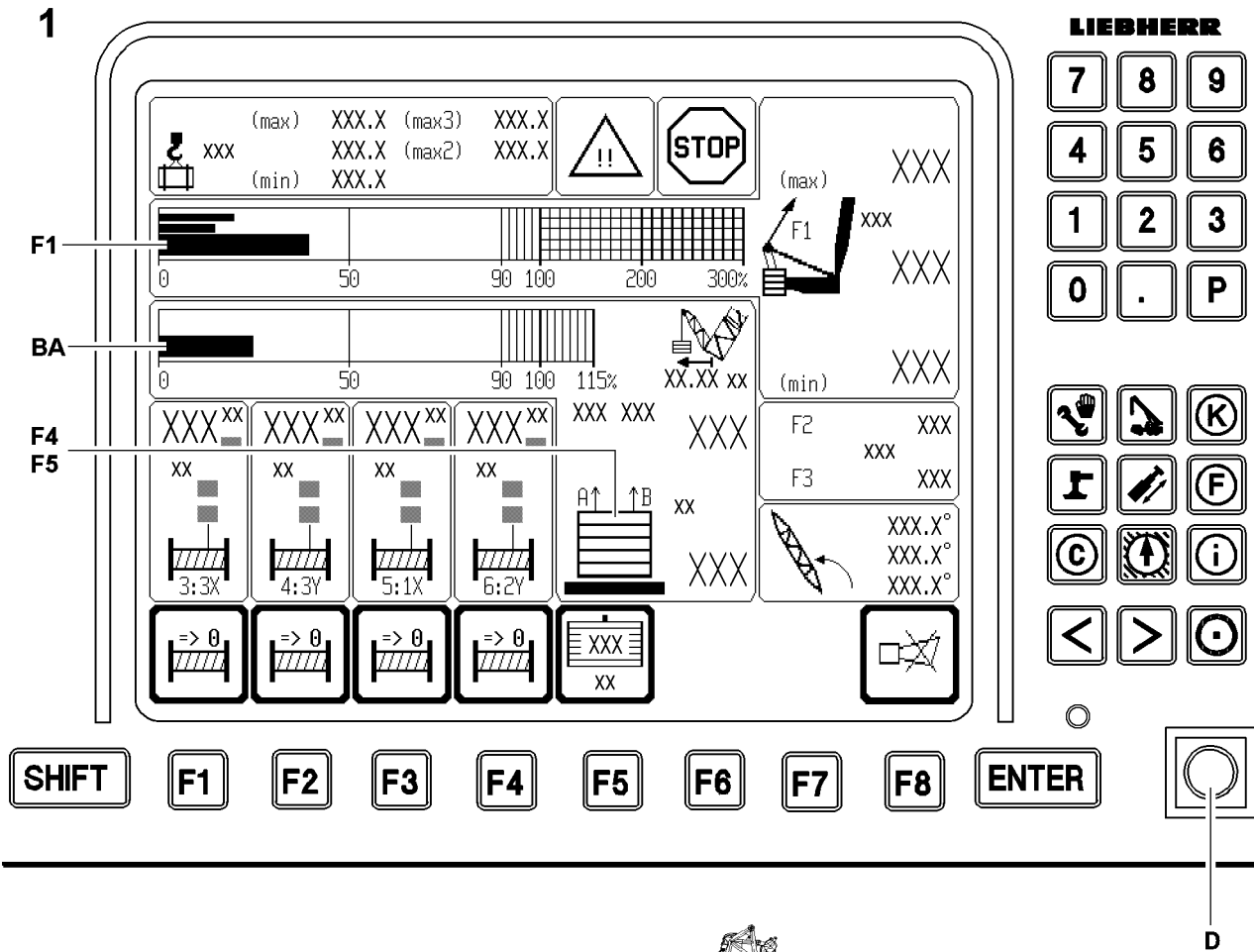


Fig.112891

4.6 Differential force monitoring for derrick ballast-guying

In operating modes with derrick ballast, the difference between the forces on derrick guying A and B is monitored on **Monitor 1**.



DANGER

Danger of accident!

Large differences between these forces can damage the derrick end section and other crane components.

► There is a danger of accidents.

The forces in the derrick ballast guyings A and B are shown and compared on monitor 1. If the difference exceeds a permissible value, an acoustic warning is issued and the two force values blink. However **none of the movements are turned off**.

If the difference of the forces of the derrick ballast guyings A and B exceeds the specified limit value, then this can have various causes:

- Flexing of the turntable.
- The ground under the derrick ballast is uneven.
- The crane is leaning to one side.
- The derrick ballast has been loaded one-sided.
- The force measurement in one guying is incorrect.

The crane operator must recognize the correct cause and take countermeasures:

- The error, which caused the one-sided force, must be remedied.
- The following measure is permitted only if the ground is only slightly uneven:
Lock one ballasting cylinder and use the other ballasting cylinder to „Raise the ballast“ or „Lower the ballast“ until the difference between the forces reduces. Ensure that the derrick ballast is not tilted at an inadmissible angle with respect to the crane, otherwise the derrick ballast guide and attachments will be damaged.
- If sensor values are implausible: Check whether the ballast weighing pressure sensors or inputs are faulty. If necessary, detach the sensor or replace the CPU.

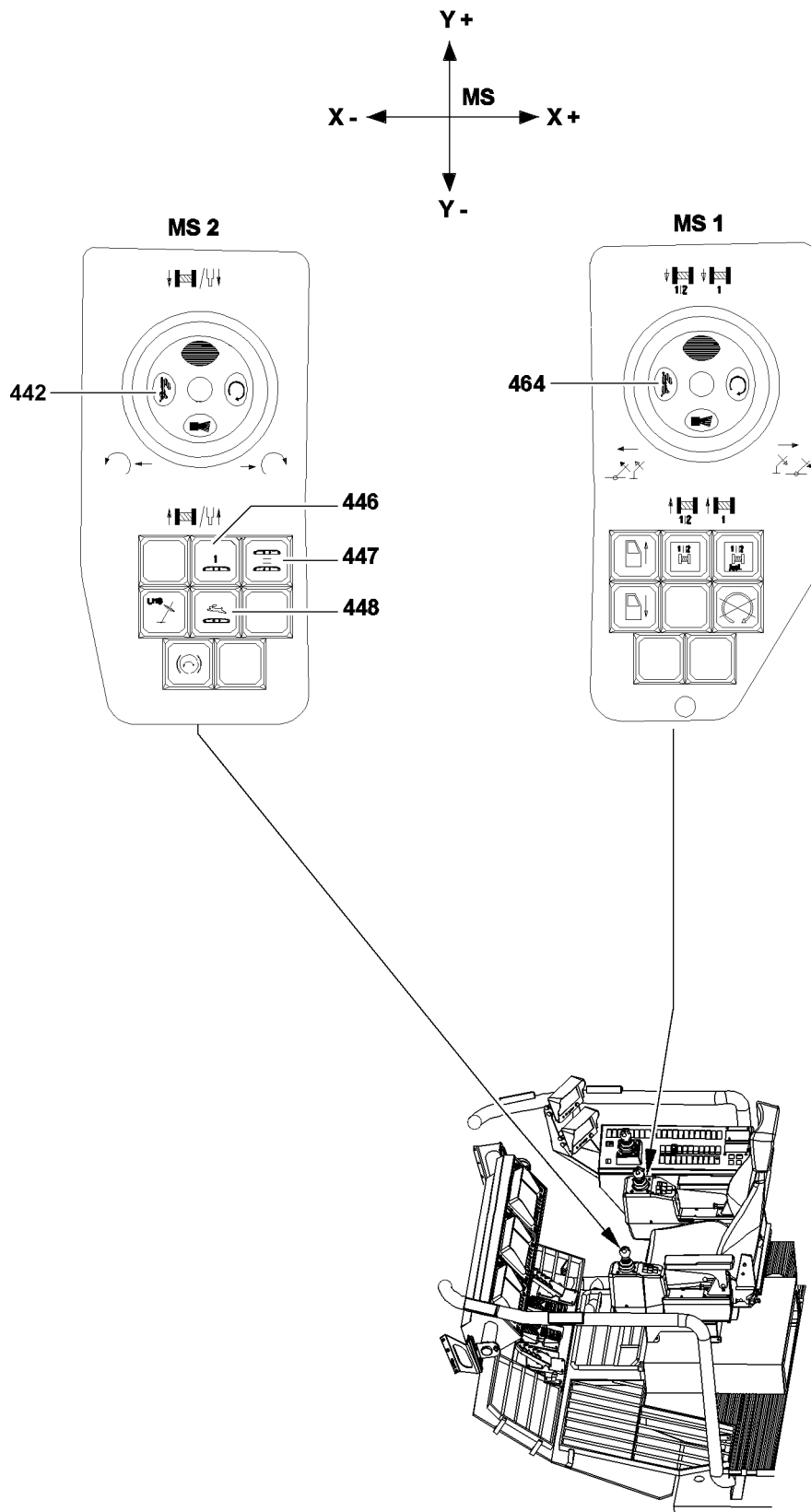


Fig.112896

LWE/LR 11350-005/19004-04-02/en

5 Crawler operation with derrick ballast

5.1 Driving the crawler

Driving with raised, suspended derrick ballast.

Make sure that the following prerequisites are met:

- The crane is aligned in horizontal direction.
- The driven route is level and horizontal.
- The derrick ballast has been lifted off the ground.
- The derrick ballast icon on LICCON monitor 1 is shown in suspended state.
- The derrick ballast is aligned in a horizontal direction.
- The ground is able to support the weight of the crane, the load and the derrick ballast.



Note

- ▶ The hazard warnings described in the Crane operating instructions, chapter 4.10 must be observed.
- ▶ Crawler driving is released when all 4 ground contact rollers are **not in contact with the ground**.
- ▶ The crawler operation is engaged with the button **446**.



DANGER

Danger of accident!

Observe and comply with the following points when driving with derrick ballast:

- ▶ There are no persons or objects in the danger zone.
- ▶ The travel range must be monitored by cameras or a supervisor.
- ▶ Only drive at the lowest possible speed.
- ▶ Avoid jerky driving movements.
- ▶ The attached load and suspended derrick ballast must be secured to prevent it from swinging. If the derrick ballast should swing by more than +/-0.5m, use the hydraulic cylinders to most rapidly set the derrick ballast down on the ground. Do not exceed the upper load threshold at test point F1.
- ▶ Steering maneuvers are prohibited.
- ▶ Uphill or downhill travel is prohibited.
- ▶ If this is not observed there is a danger of accident.

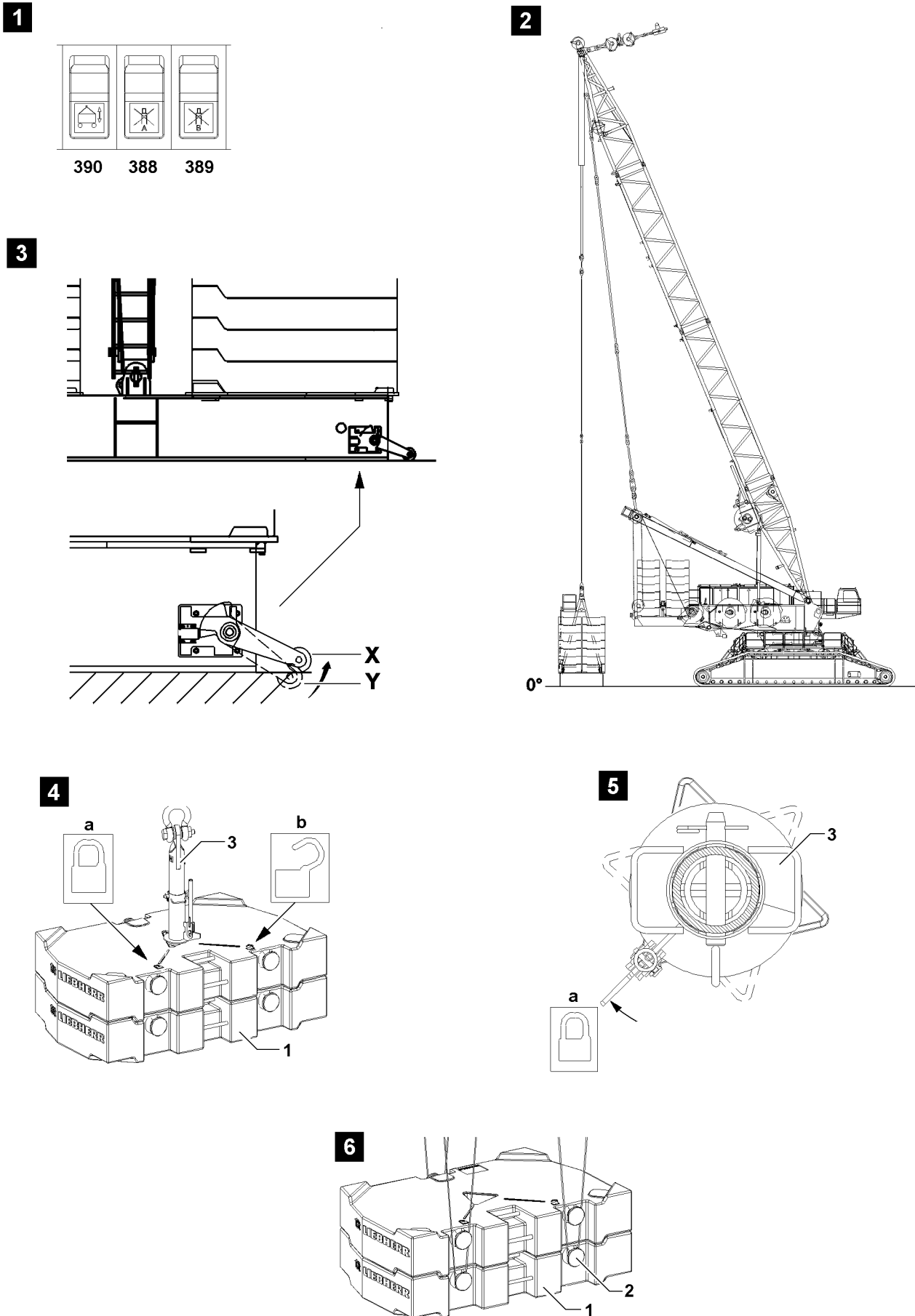


Fig.109596

LWE/LR 11350-005/19004-04-02/en

6 Disassembly

6.1 Setting down the ballast pallet



DANGER

Danger of accident!

The placement surface for the ballast pallet must be level, horizontal and of sufficient load bearing capacity, otherwise the ballast pallet can tip over.

Personnel can be severely injured or killed.

- ▶ Check the horizontal position of the crane during the set down procedure.
- ▶ Check the horizontal position of the ballast pallet during the set down procedure.
- ▶ Constantly check the differential forces in the guying on LICCON monitor 1.
- ▶ It is strictly prohibited for anyone to stand under the ballast pallet or within the entire danger zone during the set down procedure.

The set down procedure of the ballast pallet is identical for both derrick ballast variations - regardless of **with** or **without** derrick ballast guide.

Make sure that the following prerequisites are met:

- A guide or crane operator must monitor the setting down of the derrick ballast and the load.
- The placement surface for the ballast pallet must be level, horizontal and of sufficient load carrying capacity.
- ▶ Press the button **390**, see illustration 1.

Result:

- The piston rods of the hydraulic cylinders extend.
- The derrick ballast is lowered.
- ▶ When the ballast pallet touches the ground, the ground contact switches are actuated, see illustration 2 and illustration 3.

Result:

- The crane movements „turning the turntable“ and „driving the crawler“ turn off.

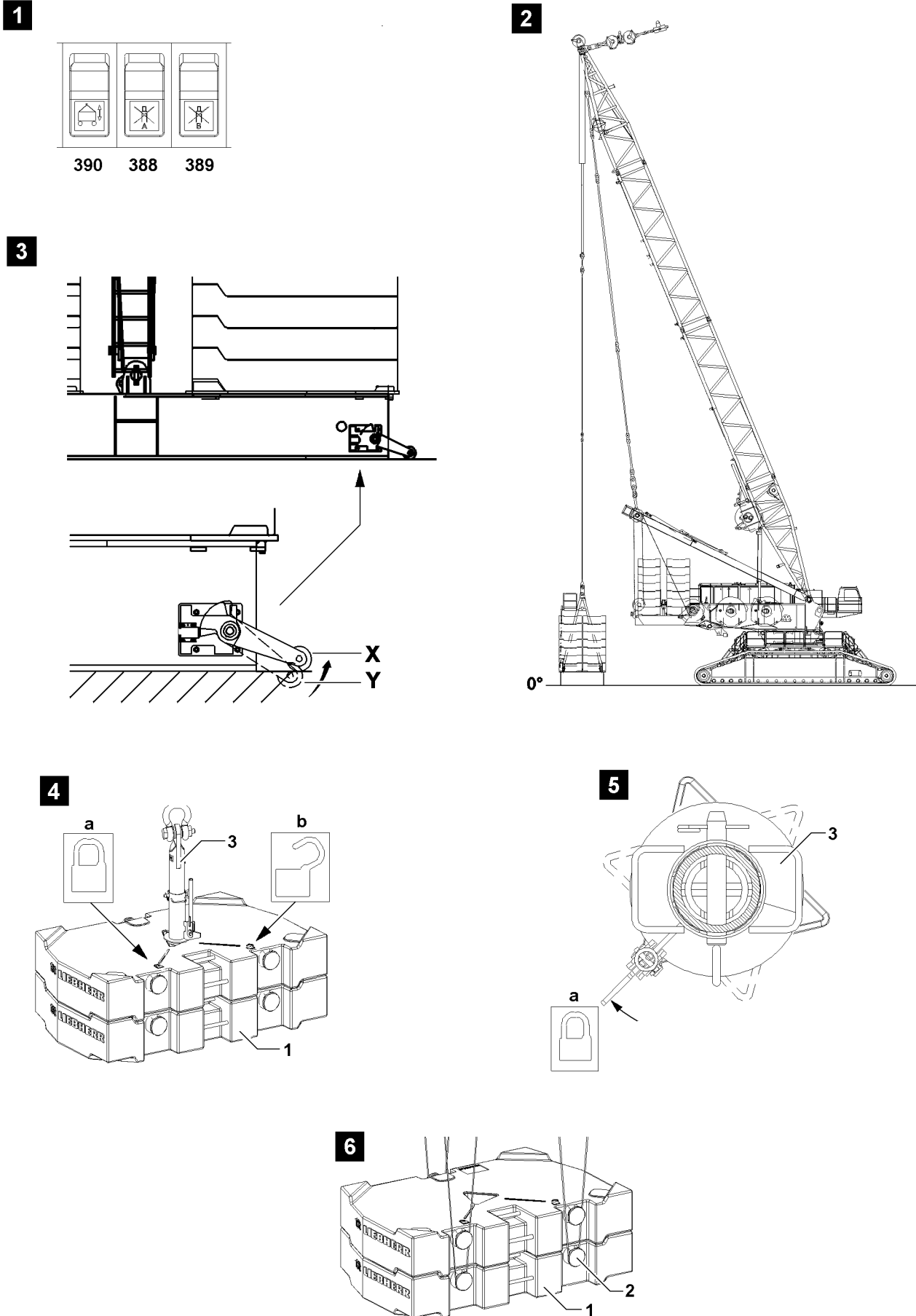


Fig.109596

LWE/LR 11350-005/19004-04-02/en

6.2 Removing the ballast plates



DANGER

Danger of accident!

If more than the specified loads are lifted with the receptacle stud **3** or the ropes via the bitts **2**, then components will be overloaded.

Ballast plates **1** can fall down and fatally injure personnel.

- ▶ Lift no more than maximum 20 t with the receptacle stud **3**, see illustration **4**.
- ▶ Lift no more than maximum 20 t with the ropes, 3 fastening points, see illustration **6**.



Note

- ▶ Position **a**, folded out lever points to the closed icon = receptacle stud **3** closed.
- ▶ Position **b**, folded out lever points to the open icon = receptacle stud **3** open to move in / out.

Make sure that the following prerequisites are met:

- The ballast pallet is standing horizontally on the ground, see illustration **2** and illustration **3**.
- The ground contact switches are actuated.

Make sure that the following prerequisite is met for lifting with the receptacle stud **3**:

- The receptacle stud **3** must be in position **a**: „Receptacle stud **3** closed“, see illustration **3**.
- ▶ Lift the ballast plates **1** individually or as an assembly, see illustration **4** and illustration **6**.
- ▶ Remove the ballast plates **1** evenly with the auxiliary crane.

6.3 Disconnecting the electrical connections



Note

- ▶ Disconnect the electrical connections from the suspended ballast to the turntable.
- ▶ Disconnect all electrical connections from the suspended ballast to the turntable and store the plug and cable properly.

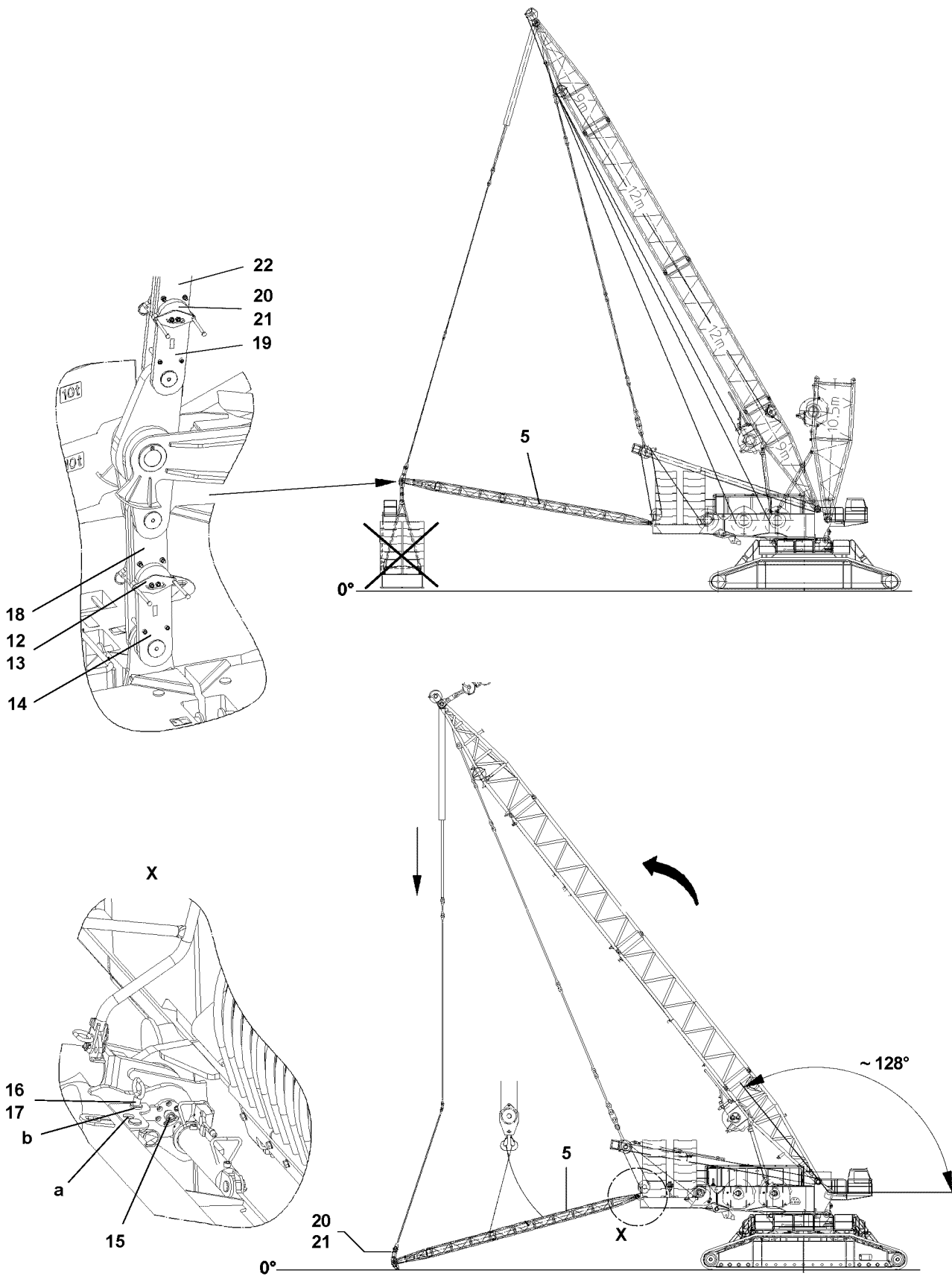


Fig.104151

LWE/LR 11350-005/19004-04-02/en

6.4 Disassembly of the derrick ballast guide

Make sure that the following prerequisites are met:

- The electrical connections from the suspended ballast to the turntable are disconnected and properly stored.
- The guide is still pinned and secured to the derrick guying and erection racks.



DANGER

Danger of accident at disassembly of the guying!

Before unpinning the guide from the erection racks, secure the erection racks using the retaining pins **4**, otherwise the erection racks can tip over and kill or severely injure personnel.

- ▶ Never unpin the retaining pins of unsecured or unsupported erection racks.
- ▶ It is prohibited for anyone to remain under the erection racks or within the complete danger zone during the pinning and unpinning procedure.

- ▶ Both erection racks are secured by four retaining pins **4** to prevent them from tipping.



Note

- ▶ First unpin guide **5** from the erection racks.

- ▶ Unpin bracket **18** from bracket **14**.
- ▶ Remove spring retainer **13** and unpin pins **12** on both sides.



Note

- ▶ See section „Placing down erection racks“.

- ▶ Remove the ballast pallet or swing the turntable.
- ▶ Luff down the derrick to the rear to maximum radius, the electric shut off takes place at approximately R 25.6 m , approximately corresponding to 128°.
- ▶ Extend the hydraulic cylinder in the guying until the guide is resting on the ground or on a solid support surface.



DANGER

Danger of accident!

Guy rods swing away suddenly during unpinning.

- ▶ Secure the guy rods with an auxiliary crane before unpinning.

- ▶ Unpin the guy rods **22** on the bracket **19**.
- ▶ Remove spring retainer **21** and unpin pins **20** on both sides.
- ▶ Hang the guide **5** onto the auxiliary crane.
- ▶ Use the pin pulling device to unpin the guide **5** on both sides of the turntable.
- ▶ Remove the retaining pin **16** from the bore **b**.
- ▶ Push the pin **15** all the way out and insert the retaining pin **16** into the bore **a** and secure with cotter pin **17**.

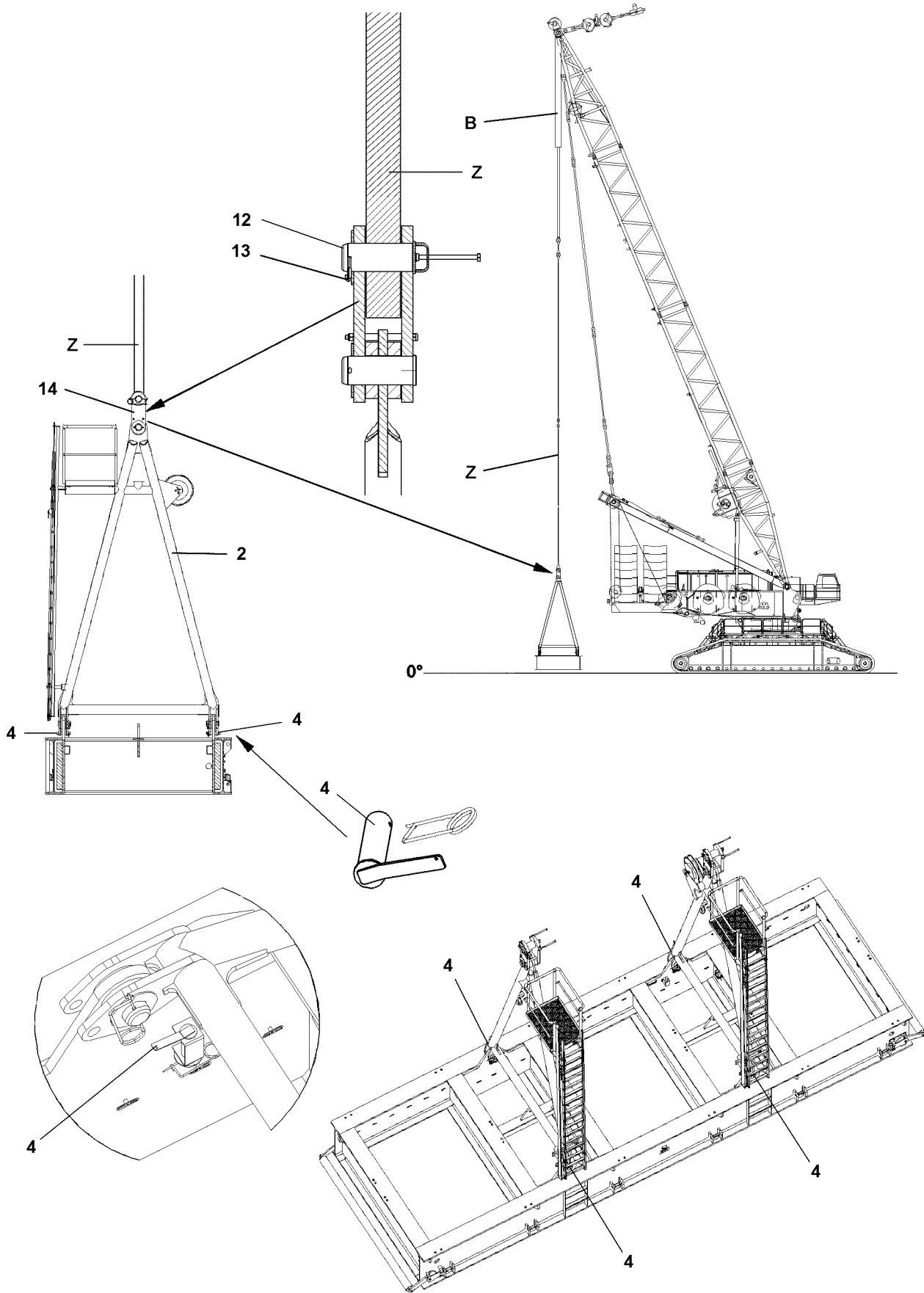


Fig.102172

6.5 Disassembly of guy rods on ballast pallet

The description of the disassembling procedure applies only to the derrick ballast **without** guide.



DANGER

Danger of accident at disassembly of the guying!

If the erection racks are not secured with the four retaining pins before unpinning, the erection racks tip over.

Personnel can be severely injured or killed.

- ▶ Never unpin the retaining pins of unsecured or unsupported erection racks.
- ▶ It is prohibited for anyone to remain under the erection racks or within the complete danger zone during the pinning and unpinning procedure.

Make sure that the following prerequisite is met:

- The erection racks are secured with four retaining pins **4** to prevent them from tipping.

- ▶ Fasten the auxiliary crane on the erection rack.
- ▶ Unpin the guy rods **Z** on the brackets **14**.
- ▶ Remove the spring retainer **13** and unpin the pin **12**.

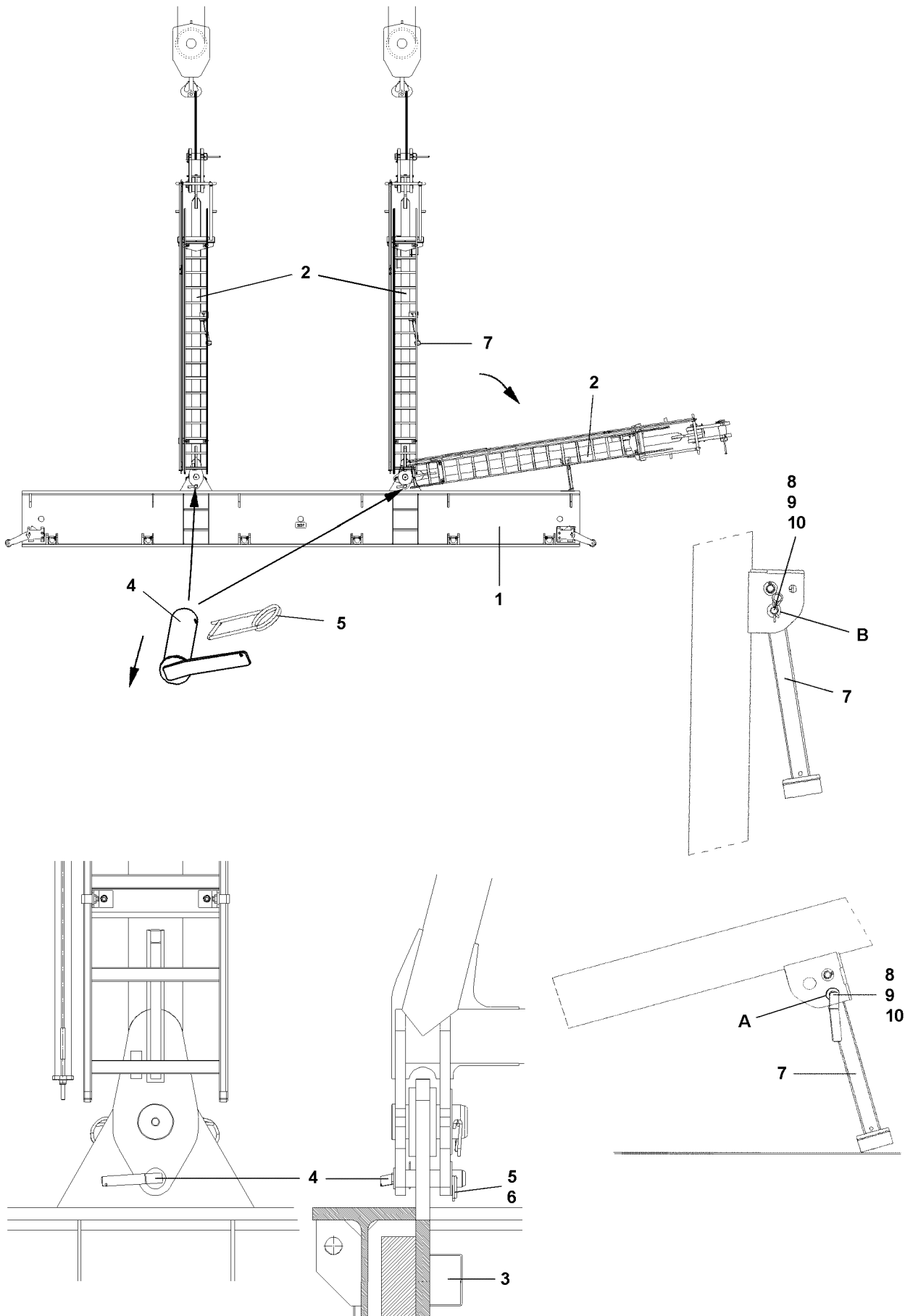


Fig.104150

LWE/LR 11350-005/19004-04-02/en

6.6 Placing down the erection racks

Make sure that the following prerequisites are met:

- The erection rack **2** hangs from the auxiliary crane which holds it in position.
- The transport support **7** is folded in and pinned.



DANGER

Danger of accidents when disassembling the erection racks!

Before unpinning the retaining pins **4**, hang the erection racks onto the auxiliary crane, otherwise the erection racks can tip over and kill or severely injure personnel.

- ▶ Never unpin the retaining pins of unsecured or unsupported erection racks.
- ▶ It is prohibited for anyone to remain under the erection racks or within the complete danger zone during the pinning and unpinning procedure.

-
- ▶ Remove spring retainer **6** and washer **5**.
 - ▶ Unpin the retaining pin **4** and insert into the transport receptacle.
 - ▶ Lower the erection rack and fold out the transport support **7**.
 - ▶ Pin and secure the transport support **7** in this position.
 - ▶ Unpin the pin from bore **B** and insert in bore **A** and secure with washer **10** and spring retainer **9**.
 - ▶ Use the auxiliary crane to place the erection rack **2** on the transport support **7**.

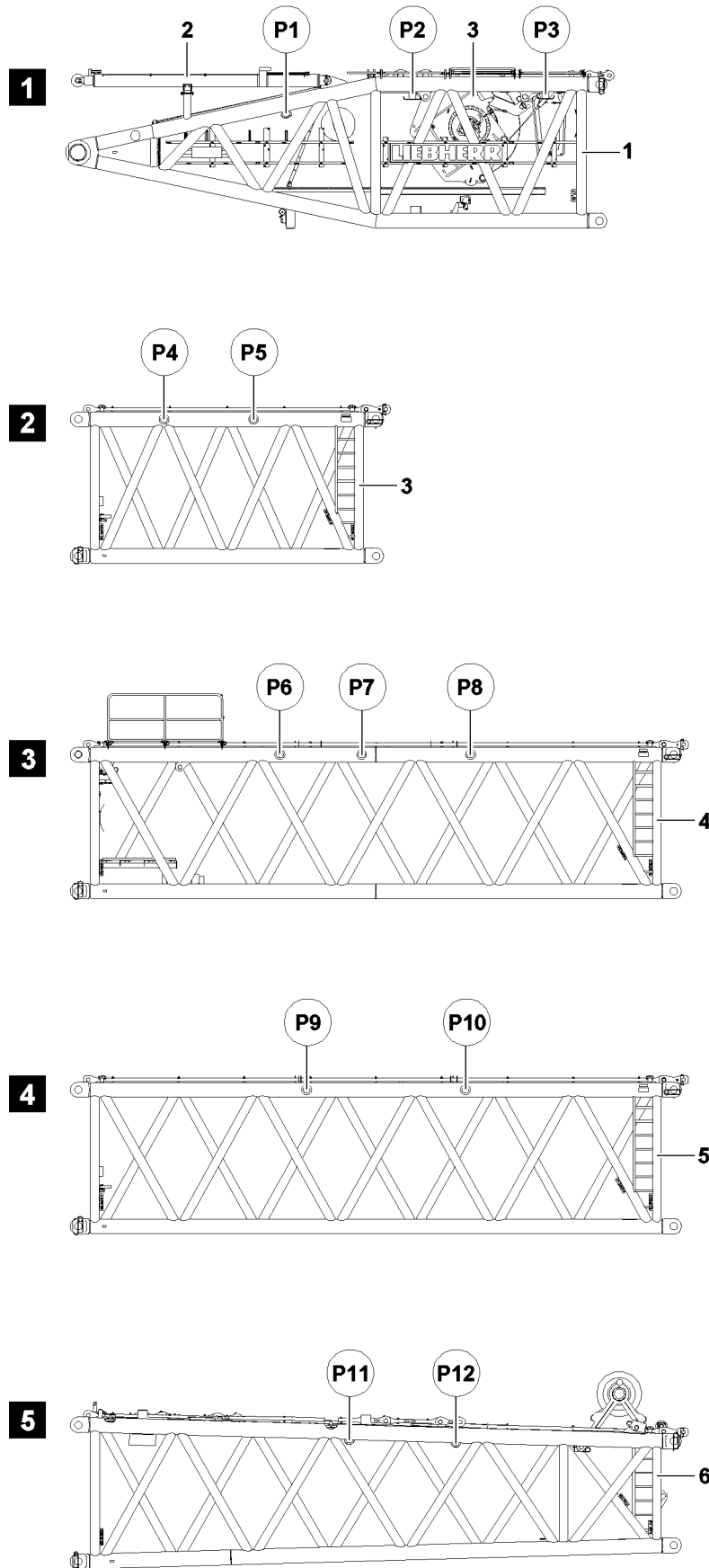


Fig.112587

LWE/LR 11350-005/19004-04-02/en

1 Components and fastening points

1.1 Components S-pivot section

Position	Component	Weight ¹⁾
1	S-pivot section with winch 5	48.40 t
2	S-pivot section without winch 5	26.20 t

1) The stated weights are approximate.

1.2 Fastening points of S-lattice sections

1.2.1 Fastening points on the S-pivot section

1 Illustration

Fastening points	
P1 and P2	for D-pivot section without winch 5
P1 and P3	for D-pivot section with winch 5

1.2.2 Fastening points on S-intermediate section 6 m

2 Illustration

System dimension: **3227.20** or **3227.30**

Fastening points	
P4 and P5	S-intermediate section 6 m

1.2.3 Fastening points on S-intermediate section for winch 6

3 Illustration

System dimension: **3227.30**

Fastening points	
P7 and P8	S-intermediate section without winch 6
P6 and P7	S-intermediate section with winch 6

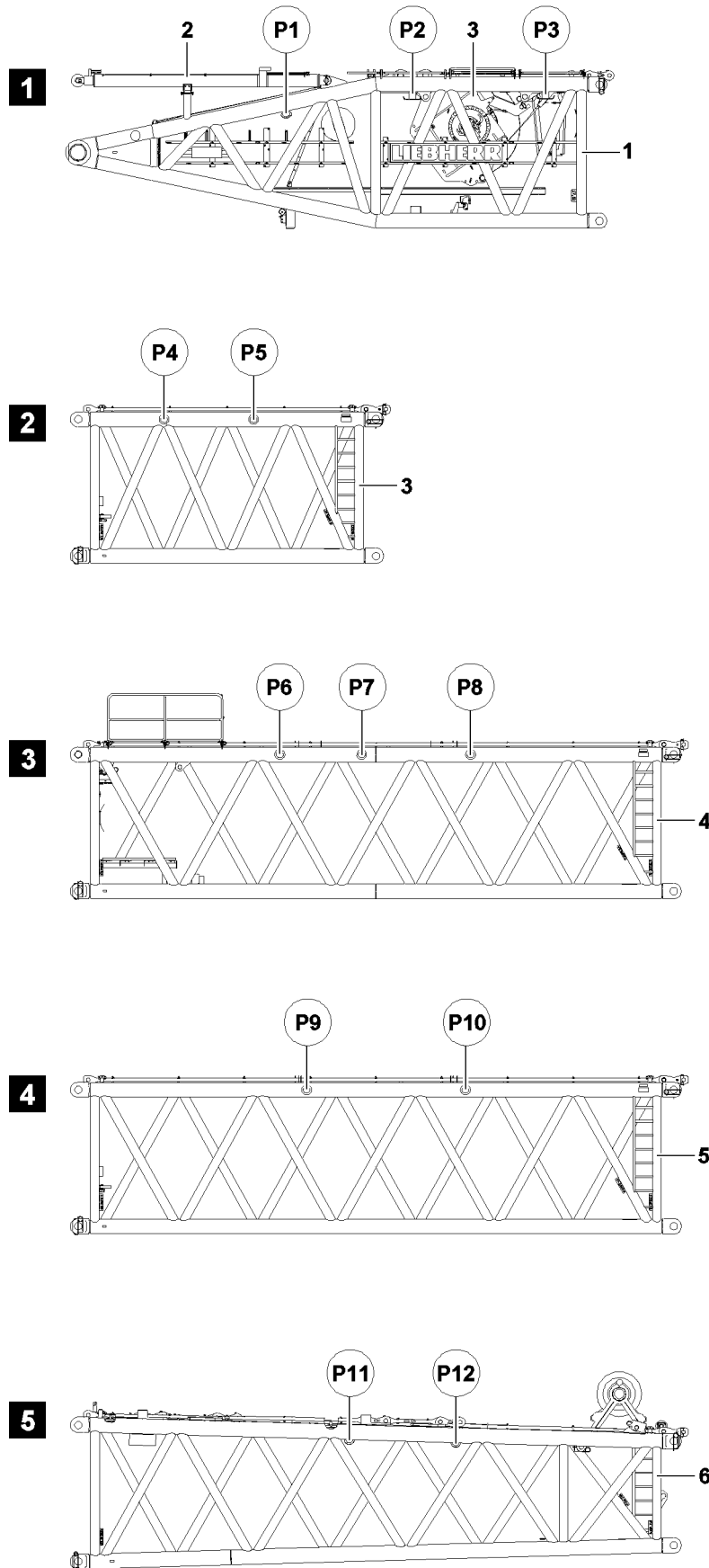


Fig.112587

LWE/LR 11350-005/19004-04-02/en

1.2.4 Fastening points on S-intermediate section

4 Illustration

System dimension: **3227.20** or **3227.30**

Fastening points	
P9 and P10	S-intermediate section

1.2.5 Fastening points on S-adapter

5 Illustration

Fastening points	
P11 and P12	S-adapter

W-guy rods on S-adapter

The W-guy rods are placed and secured for transport on the S-adapter. In S/SL-operation, the W-guy rods must be removed.



WARNING

Falling W-guy rods!

If the W-guy rods are not removed on the S-adapter, then they can fall down in S/SL-operation!

Personnel can be killed or severely injured!

► Remove the W-guy rods on both sides!

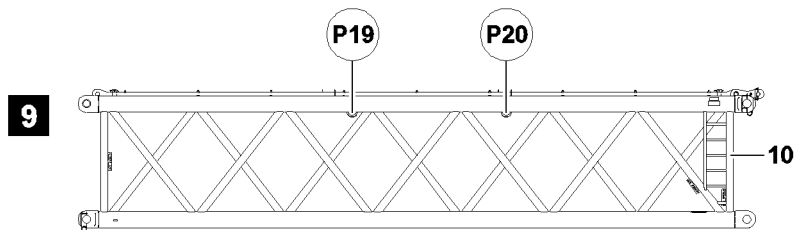
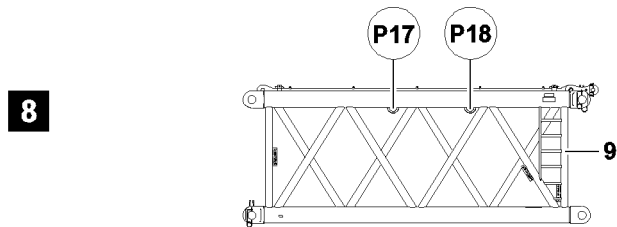
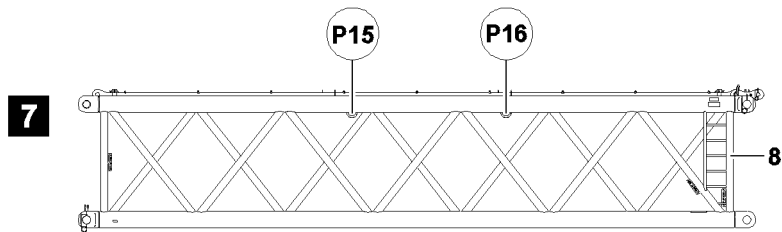
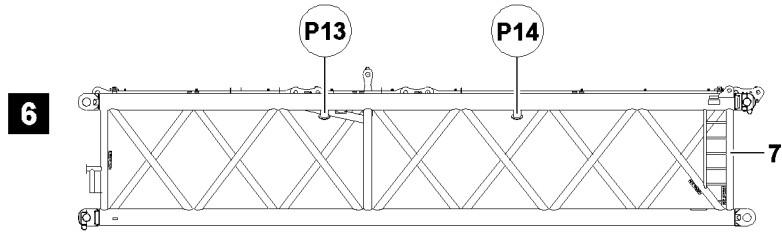


Fig.112884

1.3 Fastening points of Li-lattice sections

1.3.1 Fastening points on Li-intermediate section 12 m

6 Illustration

System dimension: **2621.20**

Fastening points	
P13 and P14	Li-intermediate section 12 m

1.3.2 Fastening points on Li-intermediate section 12 m

7 Illustration

System dimension: **2621.10**

Fastening points	
P15 and P16	Li-intermediate section 12 m

1.3.3 Fastening points on Li-intermediate section 6 m

8 Illustration

System dimension: **2621.10**

Fastening points	
P17 and P18	Li-intermediate section 6 m

1.3.4 Fastening points on Li-intermediate section 12 m

9 Illustration

System dimension: **2621.08**

Fastening points	
P19 and P20	Li-intermediate section 12 m

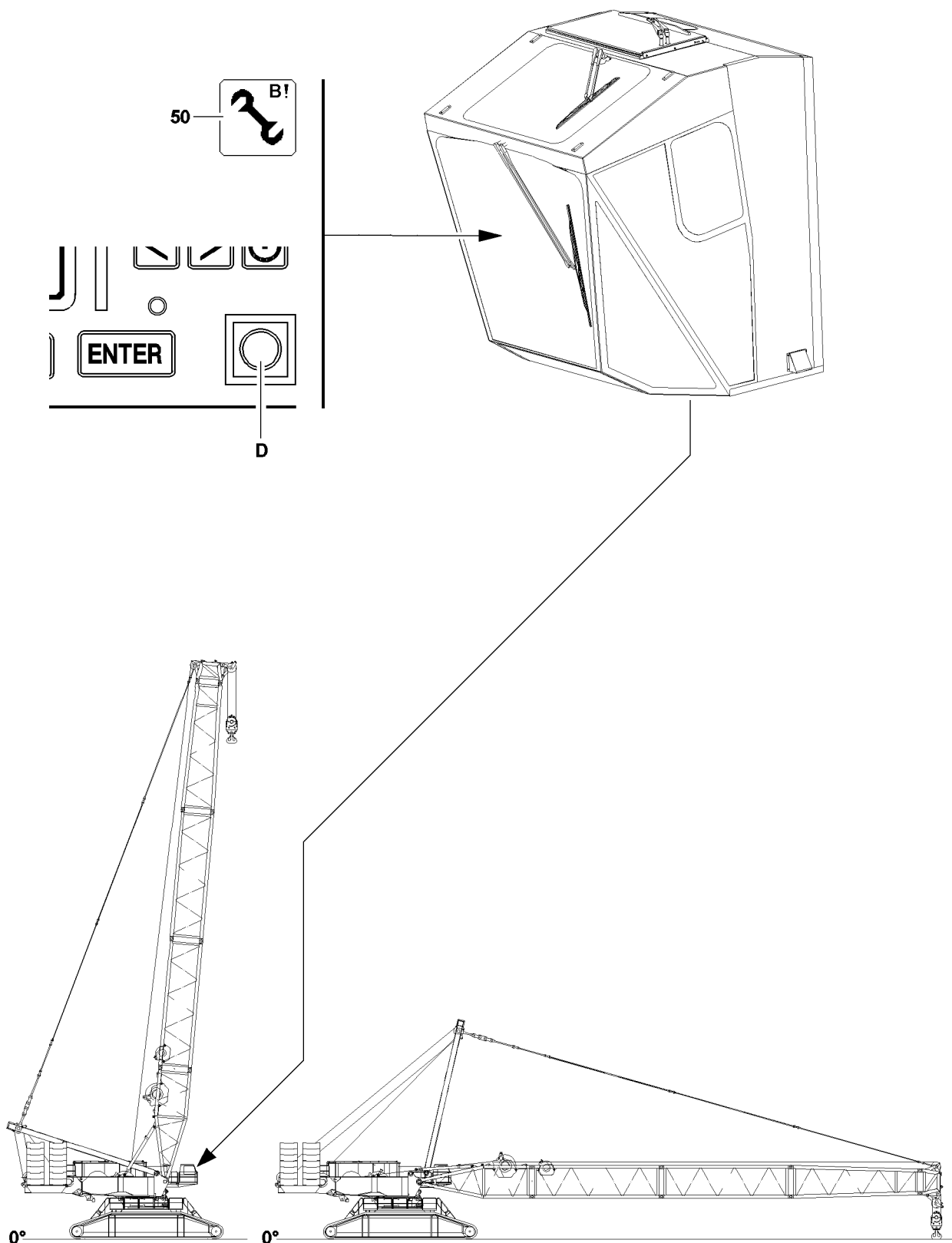


Fig.112882

2 Assembling the S-boom



Note

- ▶ The assembly is described on the example of the S-boom.



WARNING

Risk of falling!

During assembly and disassembly, personnel must be secured with appropriate aids to prevent them from falling. If this is not observed, assembly personnel can fall and suffer life-threatening or fatal injuries!

- ▶ Any work, where there is a danger of falling must be carried out with suitable aids (for example: lifting platforms, scaffoldings, ladders, auxiliary crane)!
- ▶ If the work cannot be carried out with such aids nor from the ground, then the assembly personnel must secure themselves with approved fall arrest systems to avoid falling, see Crane operating instructions chapter 2.04!
- ▶ If railings are present on the components, then they must be brought into the corresponding position and secured for assembly / disassembly work!
- ▶ Step on aids and fall protection equipment only with clean shoes!
- ▶ Keep aids and fall protection equipment clean and free from snow and ice!
- ▶ During all assembly and disassembly work, maintenance work and inspections, travel or crane operation is prohibited!



WARNING

Falling components!

If unsecured or non-supported components are installed or removed, they can fall down!
Personnel can be severely injured or killed!

- ▶ During pinning and unpinning of the lattice sections, it is prohibited for anyone to remain **under** or **on** the components as well as within the entire danger zone!
- ▶ Support the boom and components before pinning / unpinning!
- ▶ Pin or unpin both pins laying in a horizontal, i.e. **left** and **right**!
- ▶ Secure the pins in the bearing points and in the receptacles!
- ▶ Do not disengage the auxiliary crane until each component is pinned and secured!
- ▶ It is prohibited to lean a ladder against the component being disassembled!

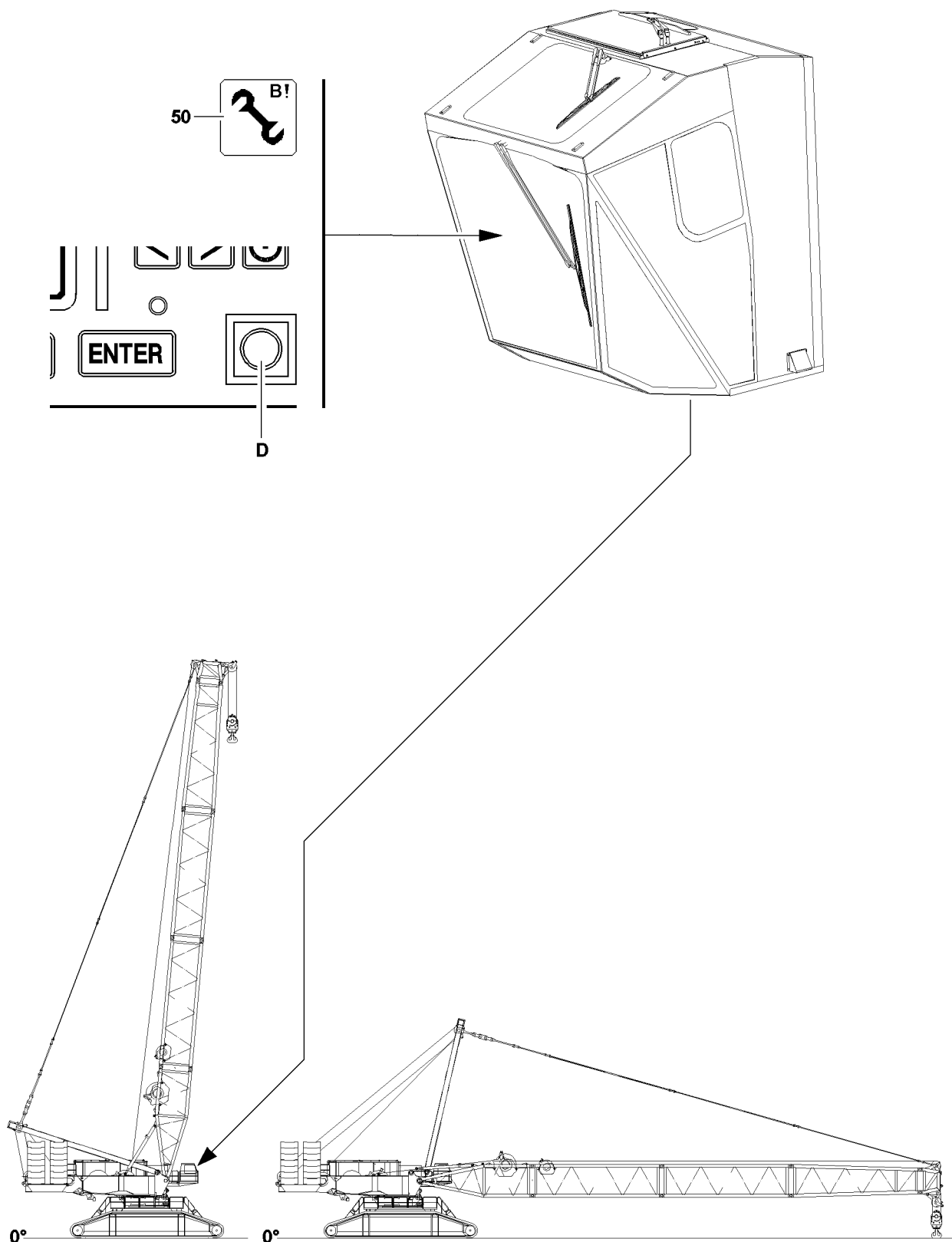


Fig.112882

**WARNING**

Danger of impact / crushing!

When installing / removing crane components with the auxiliary crane, crane components can start to swing back and forth!

When lifting / lowering and positioning crane components, there is an increased danger of impacts / crushing!

Personnel can be severely injured or killed!

- ▶ Make sure that personnel cannot be caught by components!
- ▶ Make sure that the crane is horizontally aligned!
- ▶ When working in danger zones: Use aids to protect limbs!
- ▶ Guide components with suitable aids to minimize oscillation!

**WARNING**

The crane can topple over!

If the turntable is turned during the assembly of the boom, then the crane can topple over and be severely damaged!

Personnel can be severely injured or killed!

- ▶ The turntable may not be turned during the assembly of the boom!

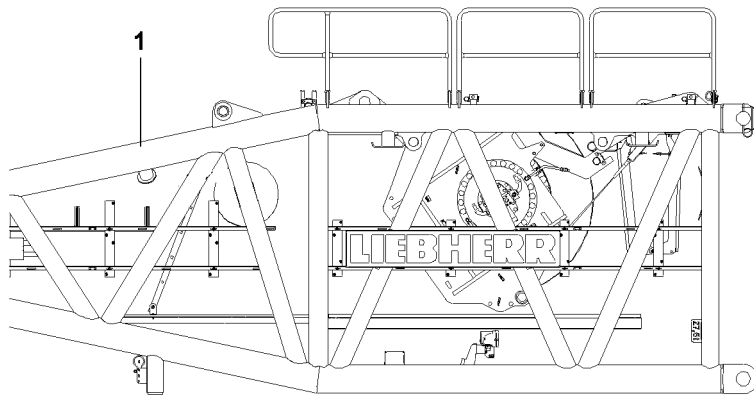


Fig.112776

2.1 Assembling the railing on the S-pivot section



WARNING

Risk of falling!

During assembly and disassembly of the railings, personnel must be secured with appropriate aids to prevent them from falling (for example: with personal protective equipment)!

Even for assembly of protective devices there is a danger of falling!

Assembly personnel can fall and be severely injured or killed!

- ▶ For assembly and disassembly work, maintenance and inspection work on the S-pivot section, all railings and the assembly platform must be assembled and secured!
- ▶ Only step on S-pivot section with „clean shoes“!



Note

- ▶ See Crane operating instructions, chapter 2.06!
- ▶ Assemble the railings properly.

2.2 Assembling the catwalk / assembly platform on the S-pivot section



WARNING

Disassembled or incompletely assembled catwalk!

If the catwalk is not assembled or incompletely assembled when winch 5 is missing, then personnel can fall and be severely injured or killed!

- ▶ For non-assembled winch 5 on the S-pivot section: Assemble the catwalk!
- ▶ The catwalk may only be accessed when it is pinned and secured in operating position, check visually!



Note

- ▶ If winch 5 is installed in operating position on the S-pivot section, then the removed catwalk must be pinned and secured in transport position!

Make sure that the following prerequisites are met:

- The railings are pinned in operating position and secured.
- The assembly personnel is secured to prevent them from falling.

2.2.1 Assembling the catwalk / assembly platform in operating position

Make sure that the following prerequisite is met:

- The catwalk is in transport position.



Note

- ▶ For assembly of the catwalk / assembly platform, see Crane operating instructions, chapter 2.06!

2.2.2 Assembling the catwalk / assembly platform in transport position

Make sure that the following prerequisite is met:

- The catwalk is in operating position.



Note

- ▶ For disassembly of the catwalk / assembly platform, see Crane operating instructions, chapter 2.06!

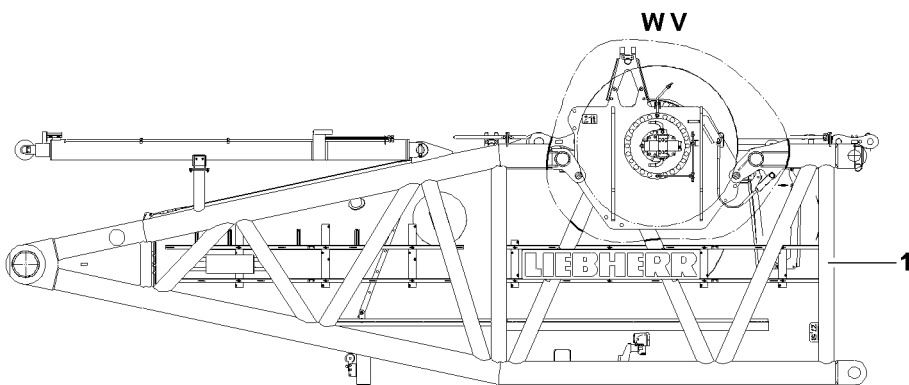
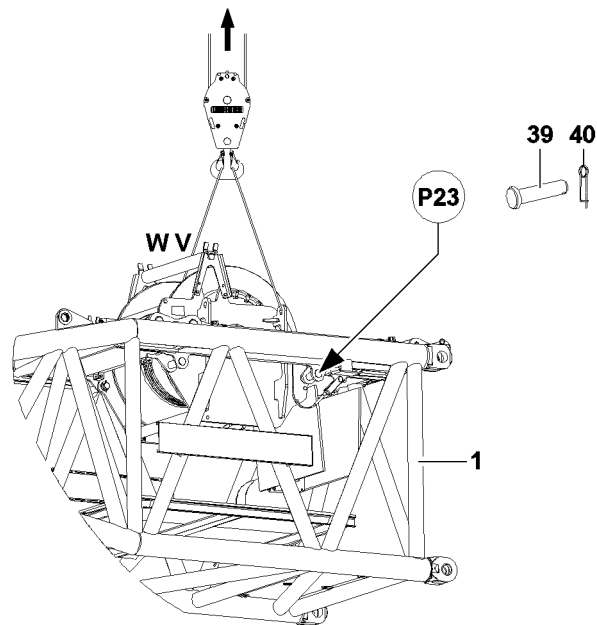
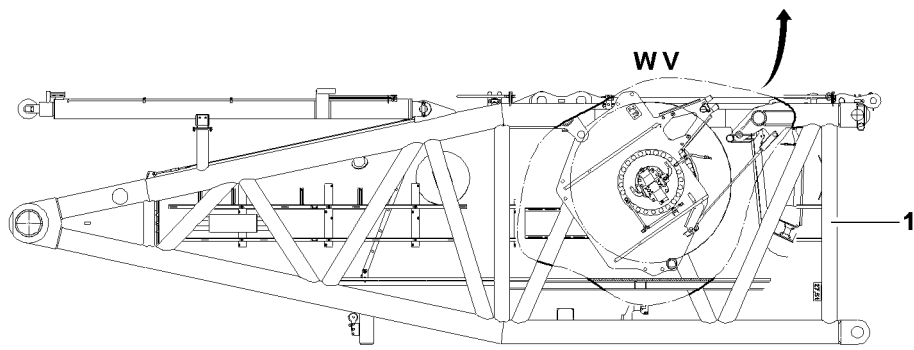


Fig.112777

LWE/LR 11350-005/19004-04-02/en

2.3 Assembling winch 5 on the S-pivot section

Make sure that the following prerequisite is met:

- The catwalk is in transport position.
- ▶ Attach winch 5 **W V** on the auxiliary crane.
- ▶ Bring winch 5 **W V** with the auxiliary crane into operating position.
- ▶ Pin winch 5 **W V** at point **P23** with pin **39** and secure with spring retainer **40**.

When winch 5 **W V** is pinned and secured:

- ▶ Remove the auxiliary crane.
- ▶ Establish the electrical connections from the terminal box in the S-pivot section to winch 5 **W V**.
- ▶ Establish the hydraulic connections to winch 5 **W V**.

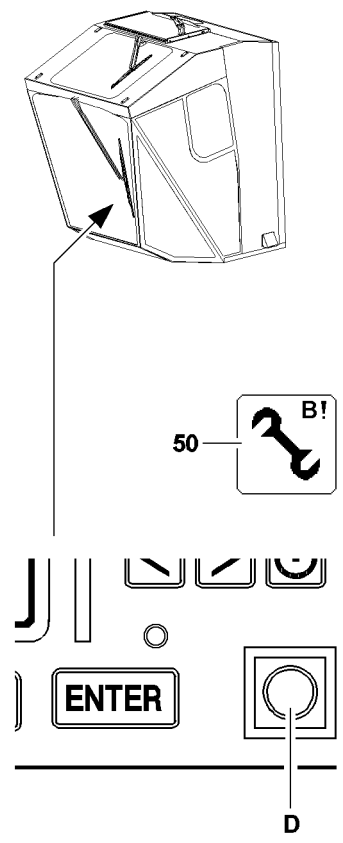
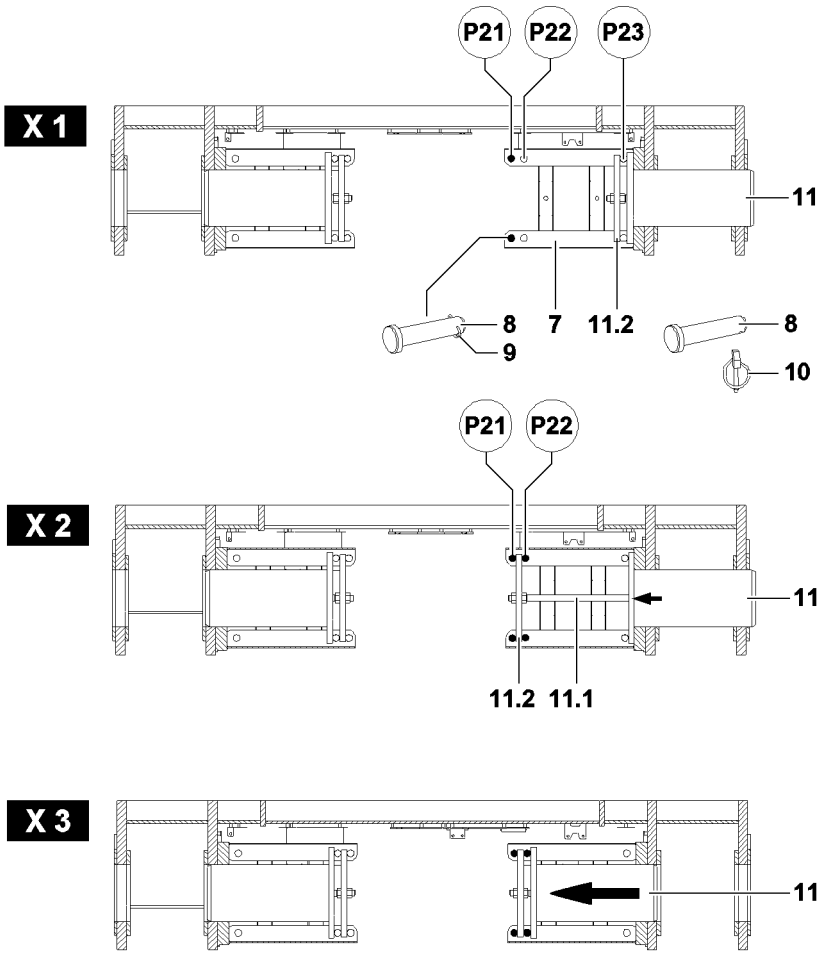
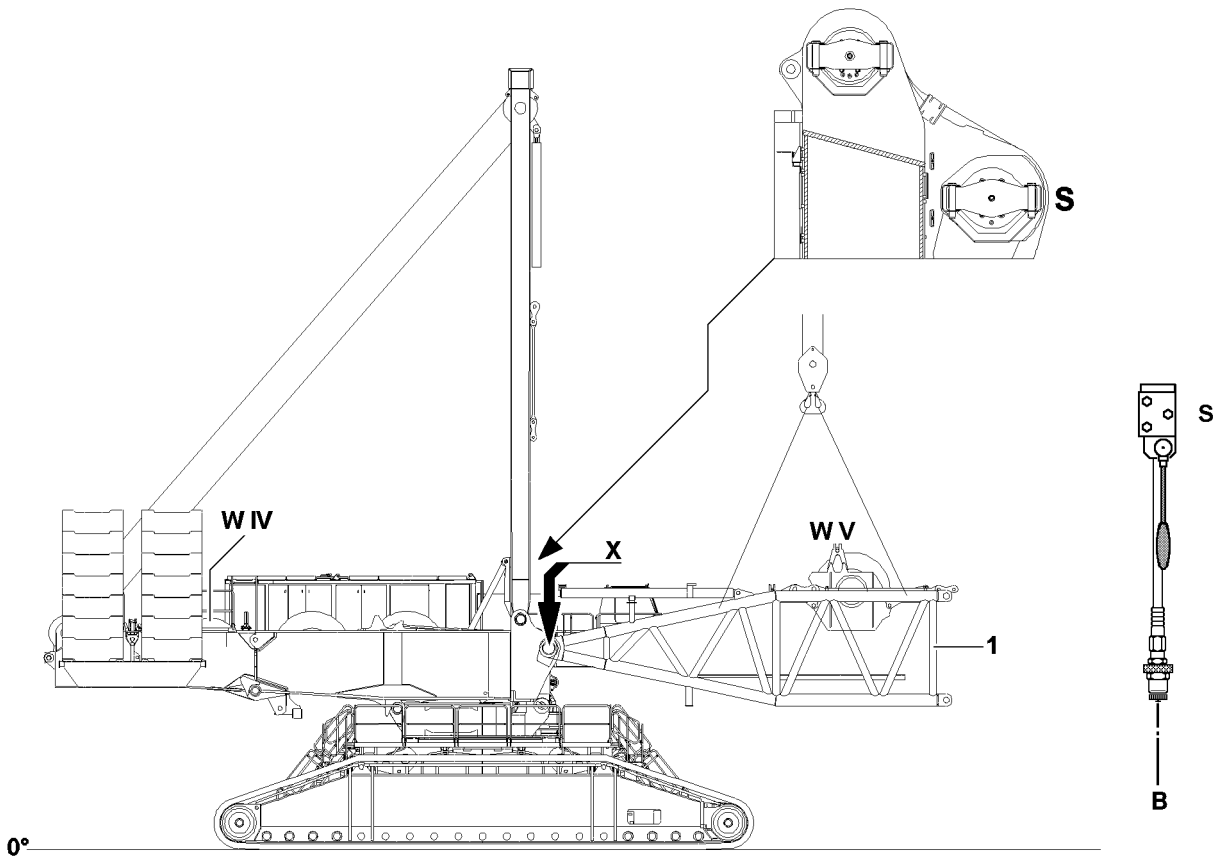


Fig.112883

LWE/LR 11350-005/19004-04-02/en

2.4 Assembling the S-boom



Note

- ▶ For arrangement of intermediate sections of boom system, see Crane operating instructions, chapter 5.03!!

Make sure that the following prerequisites are met:

- The crane is aligned in horizontal direction.
- An auxiliary crane is available.
- An assembly scaffolding / work platform is available.
- The counterweight has been installed on the turntable according to the load chart.
- The LICCON overload protection has been set according to the data in the load chart.

2.4.1 Turning the turntable into assembly position



WARNING

The crane can tip over!

If the specifications in the erection and take down charts as well as in the load charts are not observed, the crane can topple over!

Personnel can be severely injured or killed!

- ▶ Turn the turntable in longitudinal direction of the crawler travel gear or to the side before installation!
- ▶ Make sure that the specifications in the erection and take down charts are observed!



Note

- ▶ If the turntable is turned to the side for the assembly of the boom, then boom and lattice sections must be supported, depending on the ground condition!

- ▶ Turn the turntable in longitudinal direction of the crawler travel gear or to the side.

2.4.2 Exceeding the LICCON overload protection for assembly



WARNING

Assembly with turned on set up key!

When the set up key is engaged, the LICCON overload protection is exceeded!

In the event of deliberate improper use, the crane could collapse, the boom can break off or the crane can topple over!

Personnel can be severely injured or killed!

This could result in high property damage!

- ▶ The set up key **D** may only be actuated by persons who know the effects of a bypass!
- ▶ Press the set up key **D** only when the set up status was correctly entered into the LICCON computer system!
- ▶ Observe the erection / take down charts!
- ▶ Crane operation with the set up key **D** turned on is strictly prohibited!

- ▶ Turn the set up key **D** to the right.

Result:

- The LICCON overload protection is exceeded.
- The assembly icon **50** appears in the LICCON monitor.

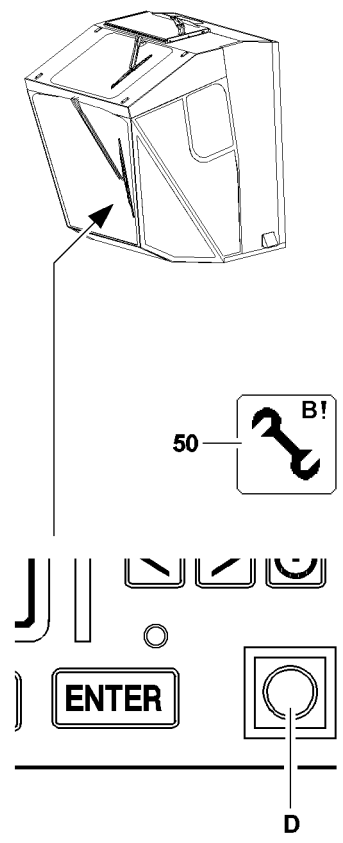
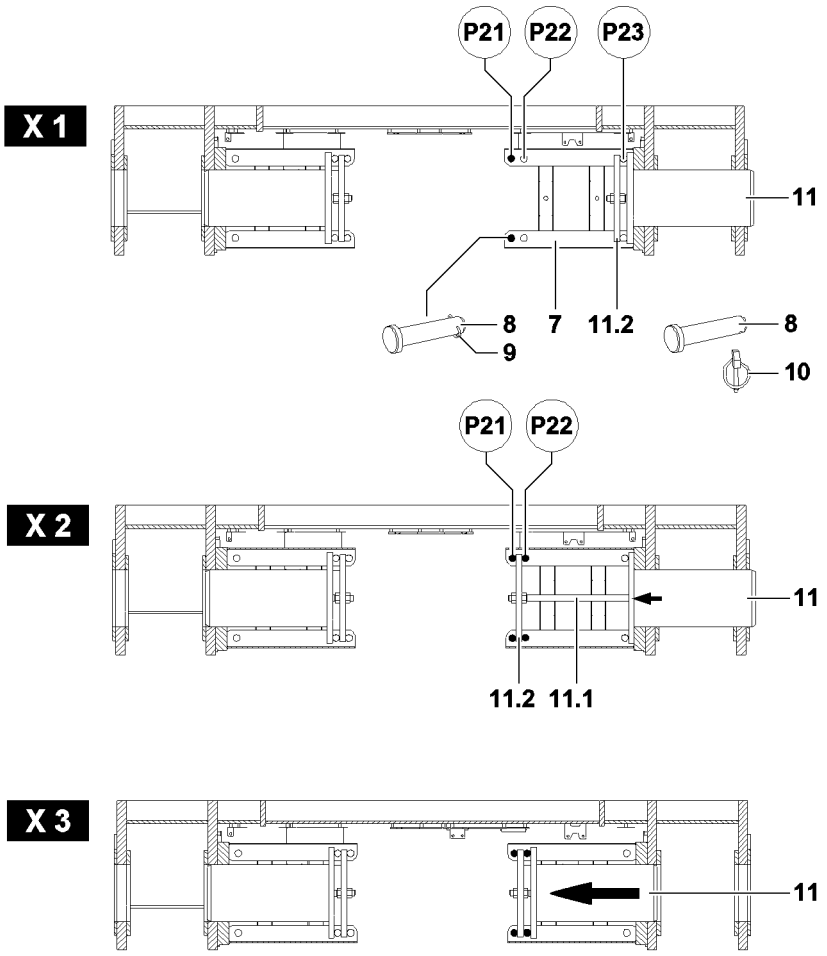
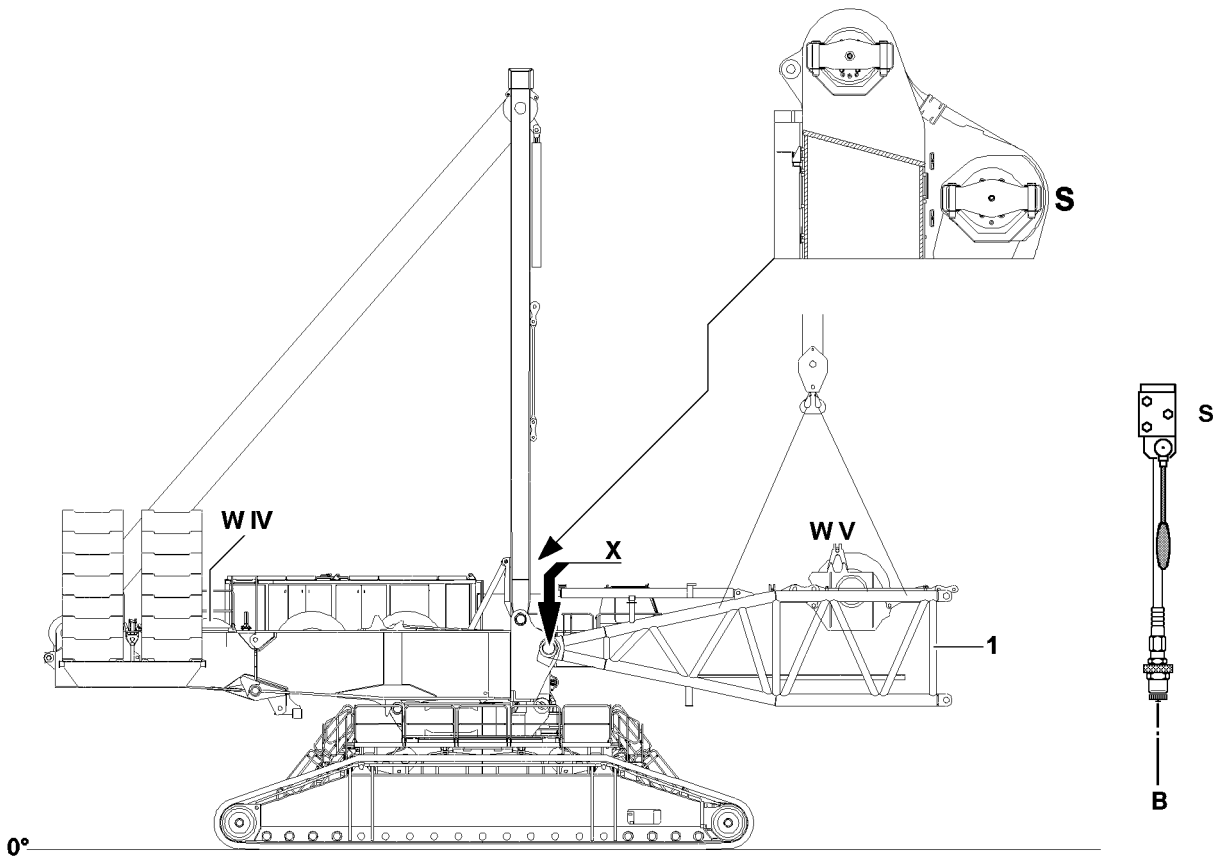


Fig.112883

LWE/LR 11350-005/19004-04-02/en

2.5 Pinning the S-pivot section on the turntable



WARNING

Danger due falling components!

If the components are not properly pinned and secured, pins can loosen up by themselves and cause components to fall off!

Personnel can be severely injured or killed!

- ▶ Support the S-boom during assembly with suitable materials!
- ▶ All pins are to be secured after assembly with the intended safety elements!
- ▶ The guy rods must be inspected regularly, see Crane operating instructions, chapter 8.15!

Make sure that the following prerequisites are met:

- The SA-frame is erected to the vertical.
- The connecting pins **11** are completely pinned on both sides on the turntable, see illustration / view **X1**.
- The pins **8** are pinned on both sides on the guide **7** at point **P21** and are secured with cotter pins **9**.



Note

- ▶ Select the fastening points on the S-pivot section in such a way that the S-pivot section hangs horizontally on the auxiliary crane at assembly, see section „Fastening points“!

- ▶ Fasten the S-pivot section **1** on the fastening points **P1** and the fastening points **P2** on the auxiliary crane and swing in to the pin points on the turntable.

or

- ▶ Fasten the S-pivot section **1** on the fastening points **P1** and the fastening points **P3** on the auxiliary crane and swing in to the pin points on the turntable.



Note

- ▶ The hand lever **S** and the hydraulic connections **B** for the pin pulling device are on the left side of the turntable!

- ▶ Establish the hydraulic connections from the connecting pins **11** to the turntable, see Hydraulic diagram.
- ▶ Move the hand lever **S** and extend the piston rod **11.1** until the plate **11.2** touches on the stop pins **8** at point **P21**, illustration / view **X2**.
- ▶ Insert the additional pins **8** on both sides on points **P22** and secure with linch pins **10**, see illustration / view **X2**.

Result:

- The plate **11.2** is „tensioned“ between the pins **8** at point **P21** and point **P22**.
- ▶ Move the hand lever **S** and unpin the connecting pin **11** until the connecting pin **11** touches on the pins **8** on point **22**, illustration / view **X3**.

Result:

- The S-pivot section can be swung in to the pin bores on the turntable.

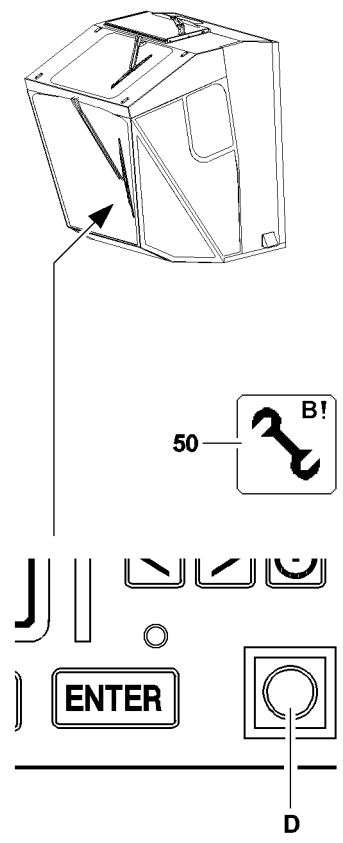
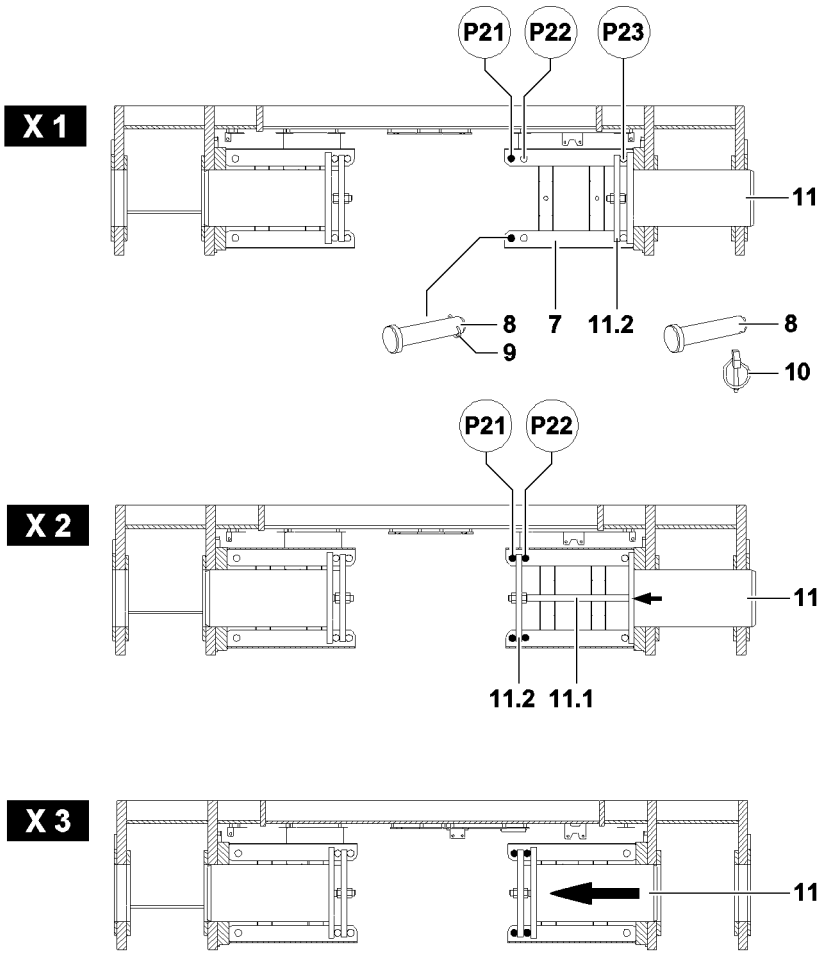
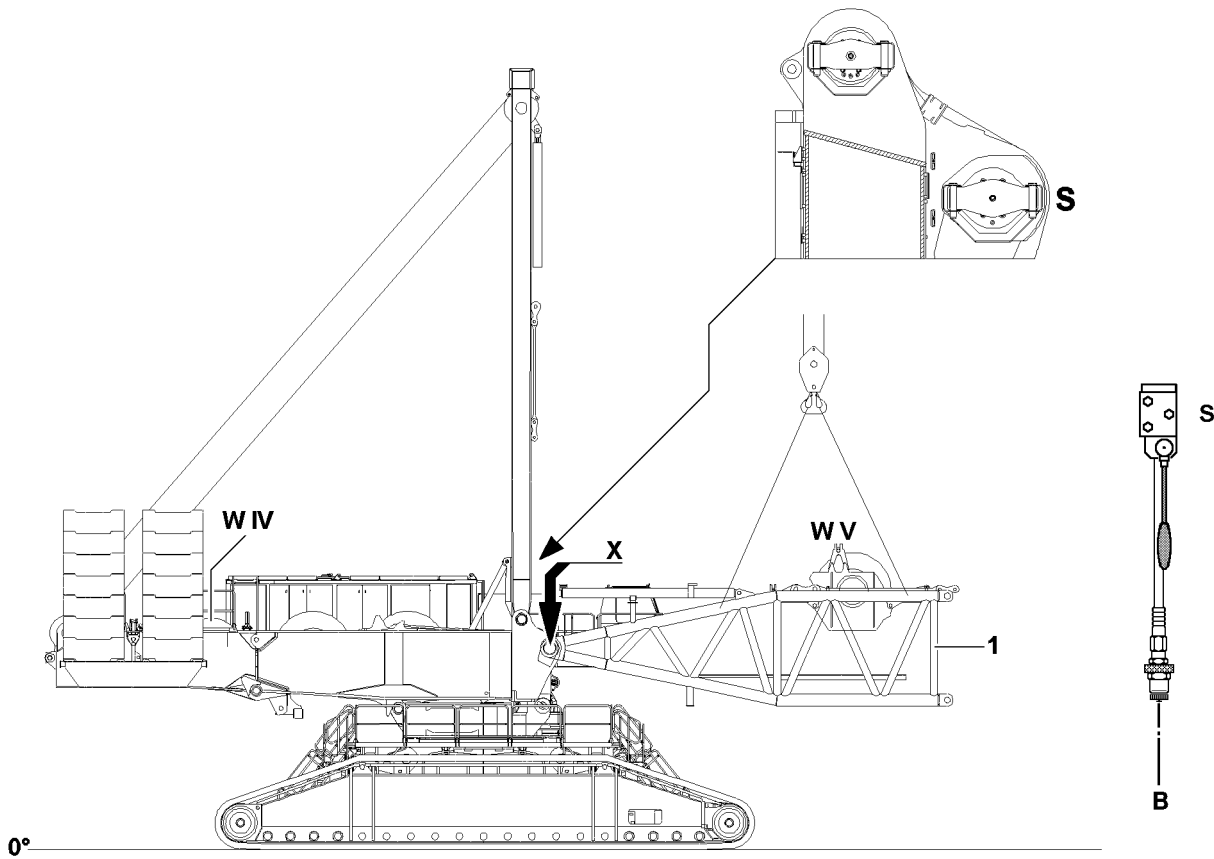


Fig.112883

LWE/LR 11350-005/19004-04-02/en

- ▶ Hang the S-pivot section **1** onto the auxiliary crane and swing in to the pin points on the turntable.

When the pin points of the S-pivot section **1** align with the pin points of the turntable:

- ▶ Pin the S-pivot section **5** on both sides with the pin pulling device: Move the hand lever **S** and insert the connecting pins **11** completely on both sides.
- ▶ Secure the connecting pins **11**: Release the pins **8** on both sides at point **P22** and unpin, then pin on both sides at point **P23** and secure with linch pin **10**, illustration / view **X1**.
- ▶ Move the hand lever **S** and move the piston rod **11.1** of connecting pins **11** all the way in.

Result:

- The connecting pins **11** are completely pinned.

NOTICE

Damage to the S-pivot section!

When the installed S-pivot section is placed on the ground, the S-pivot section can be damaged!

- ▶ Before placing the S-pivot section down on the ground, make sure that the S-pivot section cannot collide with the crane components during the take down procedure!
- ▶ Slowly place the S-pivot section **1** with the auxiliary crane and at low speed on the ground!
- ▶ Before placing it on the ground, support the S-pivot section **1**!

When the S-pivot section **1** is pinned and secured properly on the turntable:

- ▶ Carefully place the S-pivot section **1** with the auxiliary crane on the support.
- ▶ Remove the auxiliary crane.

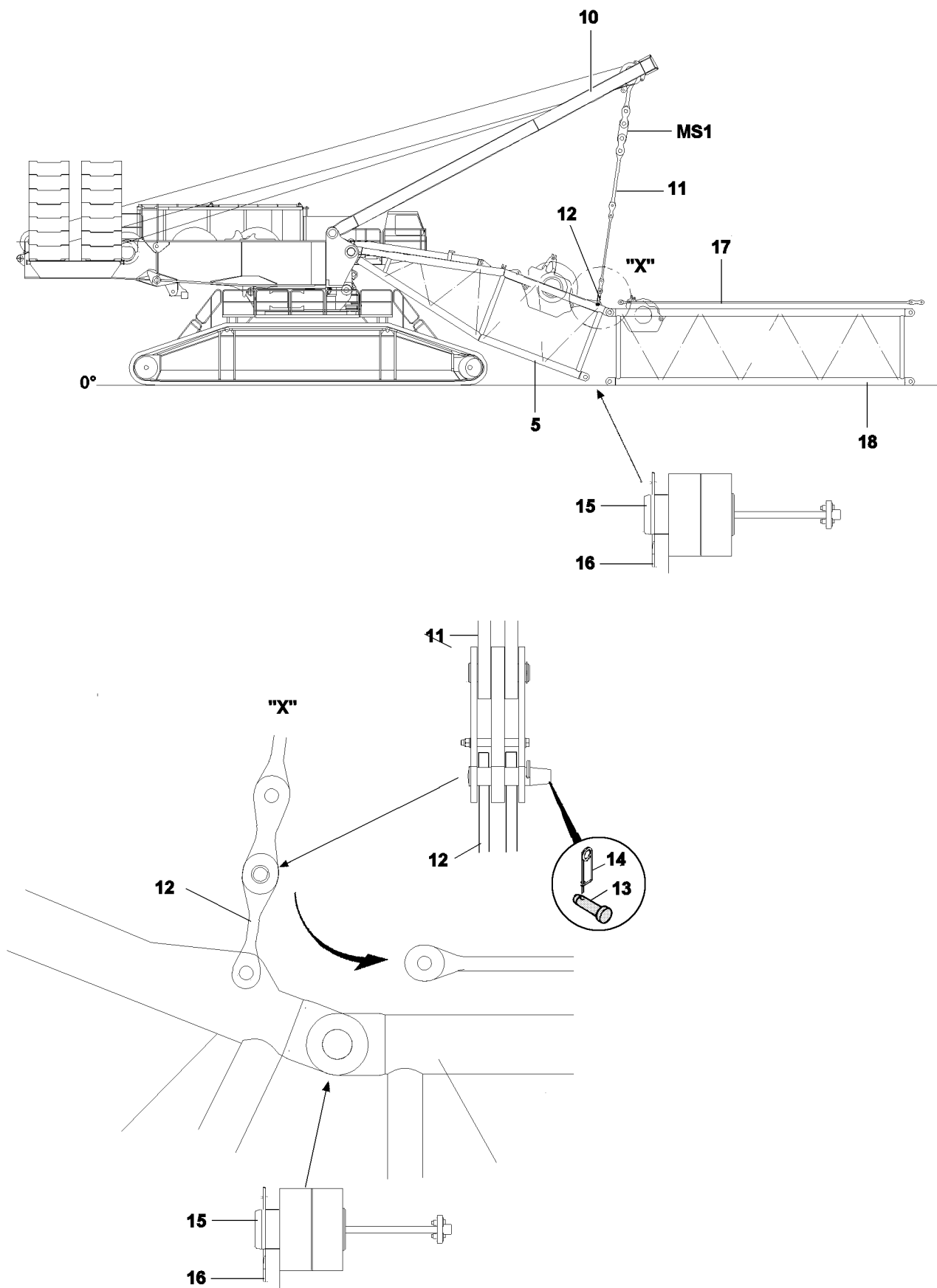


Fig.199415

LWE/LR 11350-005/19004-04-02/en

2.6 Assembling the S-lattice sections on the S-pivot section



DANGER

General danger notes!

- ▶ Support the S-boom during assembly and disassembly with suitable materials!
- ▶ All pins must be secured after assembly!
- ▶ The guy rods must be checked regularly! See chapter 8.15.

To pin the S-lattice components with the pin pulling device, see also chapter 5.30.

- ▶ Lower the SA-frame **10** to the front.
- ▶ Pin the guy rods **11** on both sides with the brackets **12**: Insert the pin **13** and secure with spring retainer **14**.
- ▶ Loosen the transport retainers for the guy rods **17** on the lattice components.
- ▶ Assemble the S-boom to the required length and pin on the S-pivot section **5 on top**: Insert the pin **15** and secure with spring retainer **16**.



Note

- ▶ Assemble and secure the S-guy rods according to the supplied rod plans. The numbering on the rod plans must be identical to the numbering on the guy rods!

The guy rods **17** are placed and secured for transport on the S-lattice sections. Before assembly, the transport retainers must be released.

- ▶ Release the transport retainers of the S-guy rods.



DANGER

Damage to crane!

If the following conditions are not met, personnel can be fatally injured or the crane can be damaged.

- ▶ The maximum permissible total force on test point **MS1** may not exceed 150 t.

It is permissible to lift the following maximum boom lengths with the SA-frame **10**:

- ▶ S 90 m with assembled S-guy rods and WA-frame 2 guy rods.
- ▶ SL 102 m with assembled S-guy rods.
- ▶ The end section may not be raised, it must rest on the ground.

- ▶ Pull the S-pivot section **5** up with the SA-frame **10** and pin on both sides **on the bottom**: Insert the pin **15** and secure with spring retainer **16**.



Note

- ▶ The ACTUAL force on test point **MS1** is shown on monitor 1. Record the displayed ACTUAL force.
- ▶ When **unpinning** at the same ACTUAL force on test point **MS1**, tension the guying on the SA-frame **10**!

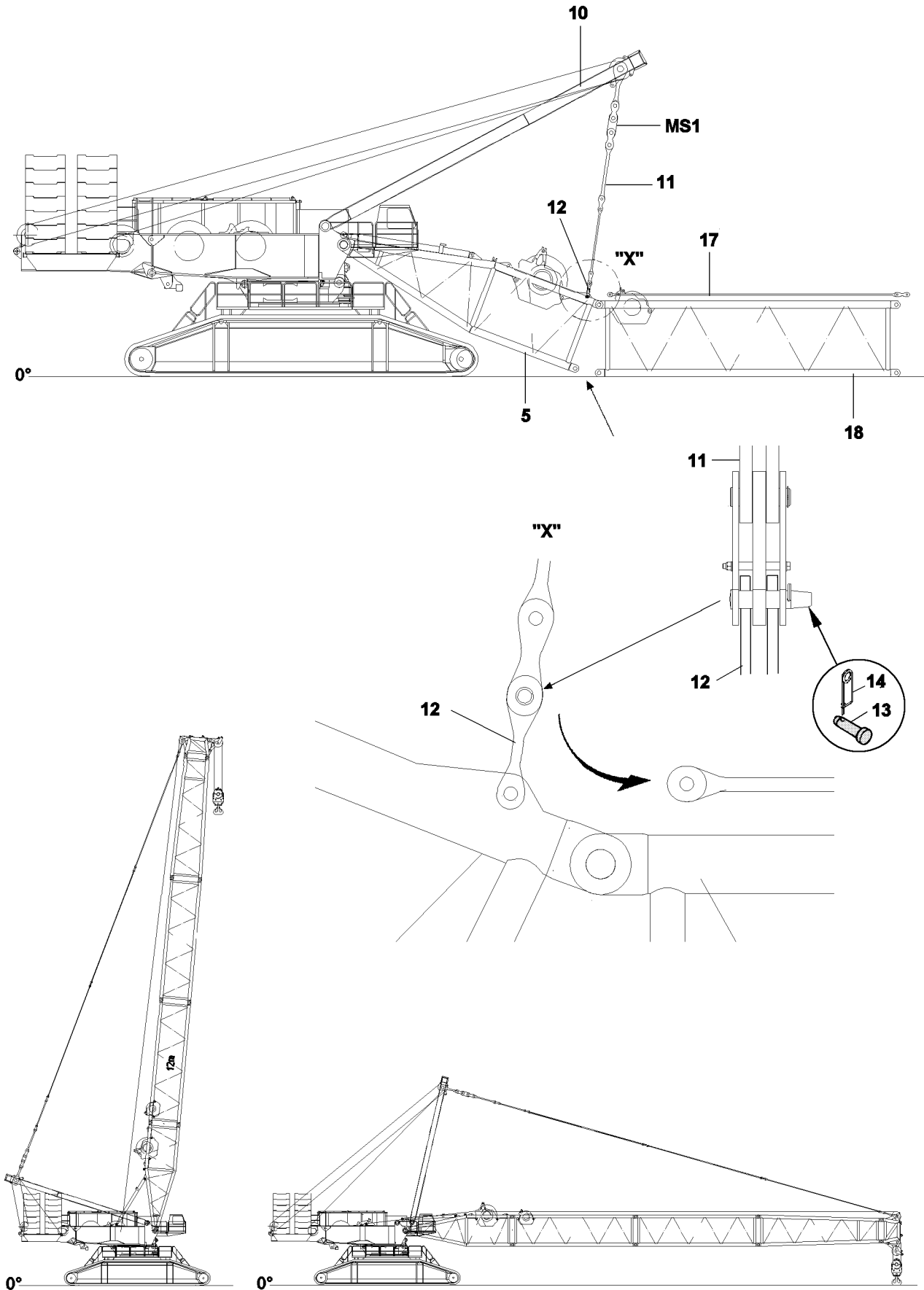


Fig.199420

LWE/LR 11350-005/19004-04-02/en

- ▶ Relieve the guy rods **11** by lowering the SA-frame **10**.

**DANGER**

The boom can suddenly fold down!

If the brackets **12** are unpinned, before the lower pins **15** are pinned, then the boom can fold down and kill people!

- ▶ Do not unpin pin **13** until the lower pin **15** has been pinned.

- ▶ Unpin the guy rods at the brackets **12**: Release and unpin the pin **13**.
- ▶ Pin the guy rods **11** with the guy rods **17**: Insert the pin **13** and secure with spring retainer **14**.
- ▶ Tension the S-boom guying.

**WARNING**

Unutilized guy rods on boom!

If guy rods are on the lattice sections which are not required for crane operation, then there is a risk of accidents!

Personnel can be severely injured or killed!

- ▶ Non-required guy rods must be removed from the lattice sections, see Crane operating instructions, chapter 5.01!
- ▶ Remove non-required guy rods from the lattice sections.

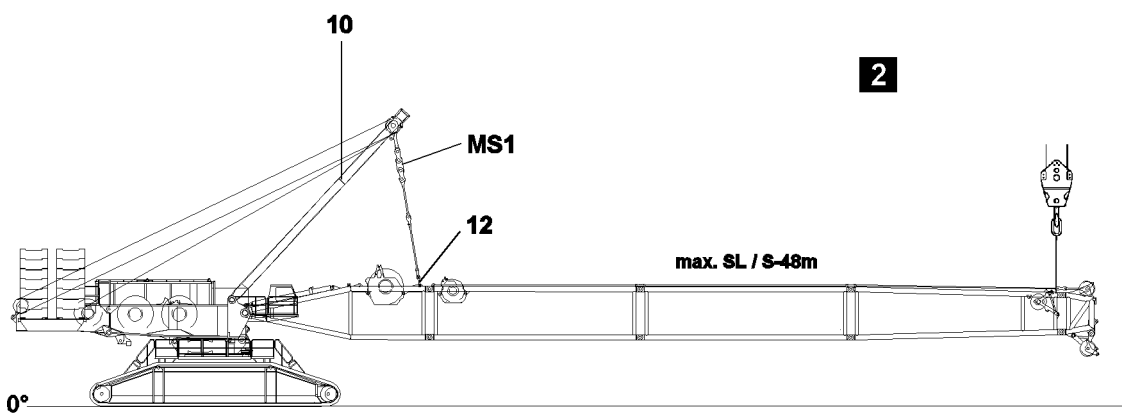
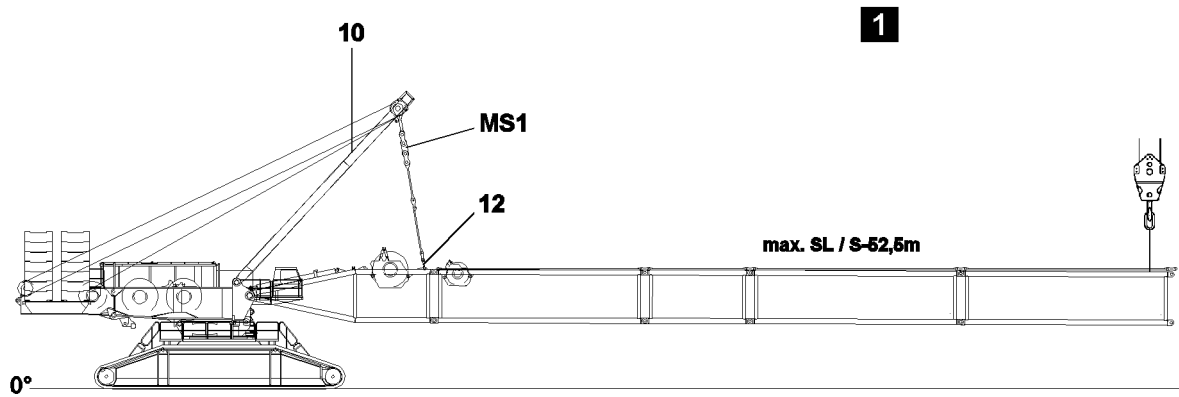


Fig.199943

LWE/LR 11350-005/19004-04-02/en

2.7 Assembling the S/SL-boom in flying mode



Note

- ▶ For arrangement of intermediate sections of boom system, see Crane operating instructions, chapter 5.03!!

2.7.1 Assembling the S/SL boom in flying mode - illustration 1



DANGER

General danger notes!

- ▶ Support the S-boom during assembly and disassembly with suitable materials!
- ▶ All pins must be secured after assembly!
- ▶ The guy rods must be checked regularly! See chapter 8.15.



DANGER

Damage to crane!

If the following conditions are not met, personnel can be fatally injured or the crane can be damaged.

- ▶ The maximum permissible total force on test point **MS1** may not exceed 200 t.
- ▶ A turntable counterweight of at least 200 t must be installed on the turntable.

It is permissible to lift the following maximum boom lengths with the SA-frame **10**:

- ▶ S/SL 52.5 m without end section with assembled S-guy rods and WA-frame 2 guy rods.

2.7.2 Assembling the S/SL boom in flying mode - illustration 2



DANGER

Damage to crane!

If the following conditions are not met, personnel can be fatally injured or the crane can be damaged.

- ▶ The maximum permissible total force on test point **MS1** may not exceed 280 t.
- ▶ A turntable counterweight of at least 200 t must be installed on the turntable.

It is permissible to lift the following maximum boom lengths with the SA-frame **10**:

- ▶ maximum S 48 m with end section, S-guy rods, WA-frame 2 guy rods without hook block.
- ▶ maximum SL 48 m with end section and S-guy rods without hook block.



Note

- ▶ The ACTUAL force on test point **MS1** is shown on monitor 1.

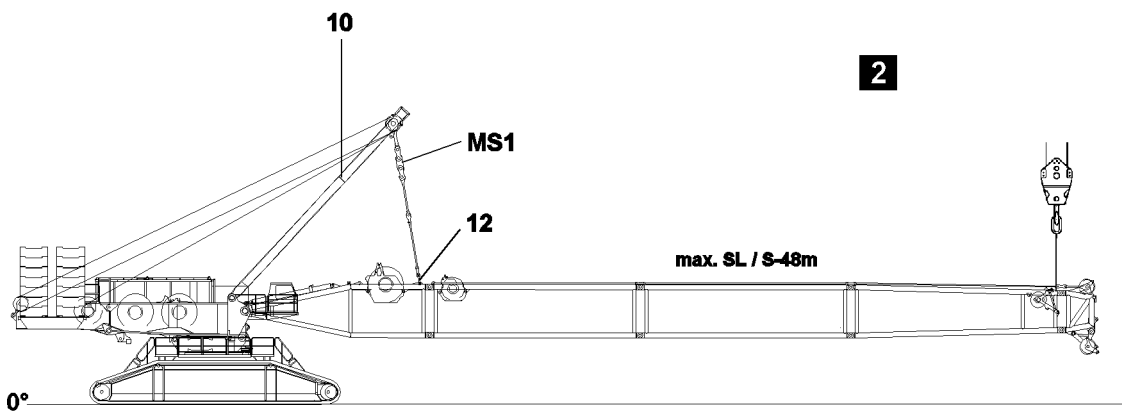
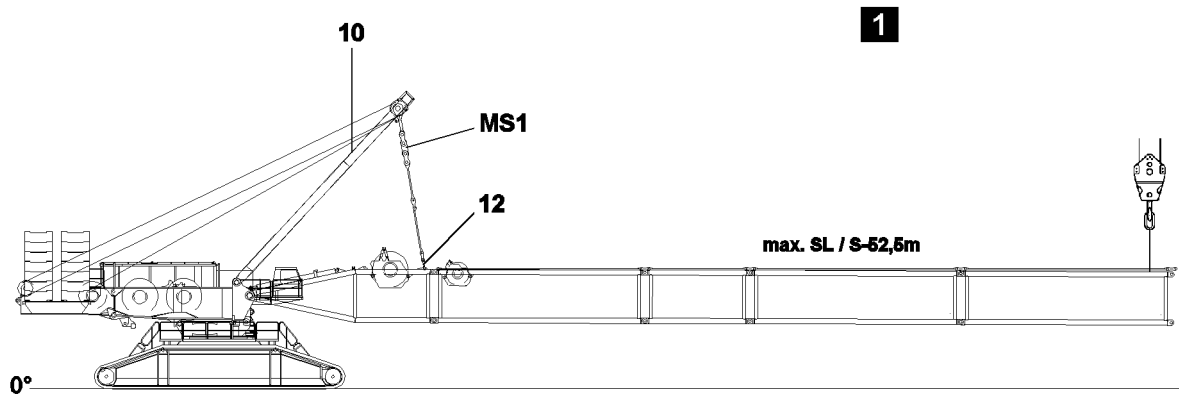


Fig.199943

LWE/LR 11350-005/19004-04-02/en

2.7.3 Flying assembly

Make sure that the following prerequisites are met:

- The S-pivot section is pinned and secured on the SA-frame guy rods.
- The S-pivot section is guyed in horizontal position.
- An auxiliary crane is available.



DANGER

Danger of accident at assembly / disassembly of booms!

When you assemble or disassemble unsecured or unsupported booms, then the boom can fall down and kill or severely injure personnel.

- ▶ Never pin or unpin the pins under unsecured or unsupported booms!
- ▶ Do not stand under the booms or within the complete danger zone during the pinning and unpinning procedure!
- ▶ Safely secure the pins in the bearing points as well as receptacles!

- ▶ Pin and secure individual intermediate sections or the completely assembled boom on the S-pivot section.
- ▶ Hang the auxiliary crane on the end section or support the boom with solid materials.



DANGER

The boom can suddenly fold down!

- ▶ If the SA-frame guy rods are unpinned before the auxiliary crane is attached on the end section and held by it, the boom can fall down and kill personnel!

- ▶ Relieve the guy rods by lowering the SA-frame.
- ▶ Unpin the SA-frame guy rods from the S-pivot section only when the boom is held by the auxiliary crane.
- ▶ Pin the SA-frame guy rods with the guy rods from the end section and secure.



WARNING

Unutilized guy rods on boom!

If guy rods are on the lattice sections which are not required for crane operation, then there is a risk of accidents!

Personnel can be severely injured or killed!

- ▶ Non-required guy rods must be removed from the lattice sections, see Crane operating instructions, chapter 5.01!
- ▶ Remove non-required guy rods from the lattice sections.

2.8 Establishing the electrical connections

NOTICE

Damage to the electrical connection on the cable drum!

If the electrical connection from the cable drum on the S-pivot section to the terminal box on the S-pivot section is established first before the connection to the terminal box on the S-end section, the electrical connection can be damaged when spooling out the cable drum!

- ▶ Establish first the electrical connection from the cable drum in the S-pivot section to the terminal box on the S-end section and then the electrical connection from the terminal box in the S-pivot section to the cable drum!



Note

- ▶ To establish the electrical connections on the S-boom, use the Electric wiring diagram!

Make sure that the following prerequisites are met:

- The S-boom is completely assembled.
- The airplane warning light and the wind speed sensor are assembled.
- ▶ Establish the electrical connections.

- ▶ Make sure that all electrical connections on the boom are established.

2.9 Establishing the hydraulic connections

When hydraulic lines are connected and disconnected with quick-release couplings, make ensure that the coupling procedure is being performed correctly.



DANGER

Risk of accident due to loss of pressure or leakage!

Incorrectly coupled or self-loosening quick-release couplings (particularly return lines) can result in serious accidents due to component failure!

- ▶ Check that the quick-release couplings have been properly connected before using the crane!



Note

- ▶ To connect or release the hydraulic lines with quick couplers, see Crane operating instructions, chapter 5.01!

- ▶ Release the pressure in the hydraulic system before connecting and disconnecting. Turn the engine off and wait for short time.
- ▶ Assembling coupling components (sleeve and connector) by using hand-tightened nut.
- ▶ Connect coupling components.

2.10 Function check



WARNING

Non-functioning safety devices!

If the function of the safety devices is defective, personnel can be severely injured or killed!

- ▶ Crane operation with non-functioning safety devices is **prohibited!**



Note

- ▶ The function of the individual limit switches must be checked before erection of the boom system!
- ▶ The function of the limit switch initiators must be checked in the test system, see Diagnostics manual!



Note

- ▶ If a function check on the limit switches or on the safety devices does not lead to the desired shut offs, then the plug connections on the connector boxes or the components itself must be checked. If no visible connection errors or component defects can be found, contact Liebherr Service!

Make sure that the following prerequisites are met:

- All electrical connections have been made.
- The crane engine is running.
- The corresponding operating mode is set on the LICCON monitor.
- The actuator levers of the limit switches have been checked for easy movement and are lubricated.

2.10.1 Wind speed sensor

- ▶ Test the movement and the function of the wind speed sensor.

2.10.2 Airplane warning light

- ▶ Turn the airplane warning light on, see Crane operating instructions, chapter 4.01.
- ▶ Check the function visually.

2.10.3 Hoist limit switch

- ▶ Actuate the hoist limit switch manually on the pulley head.

Result:

- The hoist winch turns off in upward movement.
- The hoist top icon on the LICCON monitor 0 blinks.

2.10.4 Checking the limit switch S-boom „Steepest position“**Note**

- ▶ The limit switch functions have to be checked individually before erection!
- ▶ Cover the limit switch initiators on the S-relapse cylinders individually with a metal plate.

Result:

- The limit switch is actuated manually.
- The spool up function of winch 4 turns off.
- The icon „Boom limitation“ appears on the LICCON monitor 0.

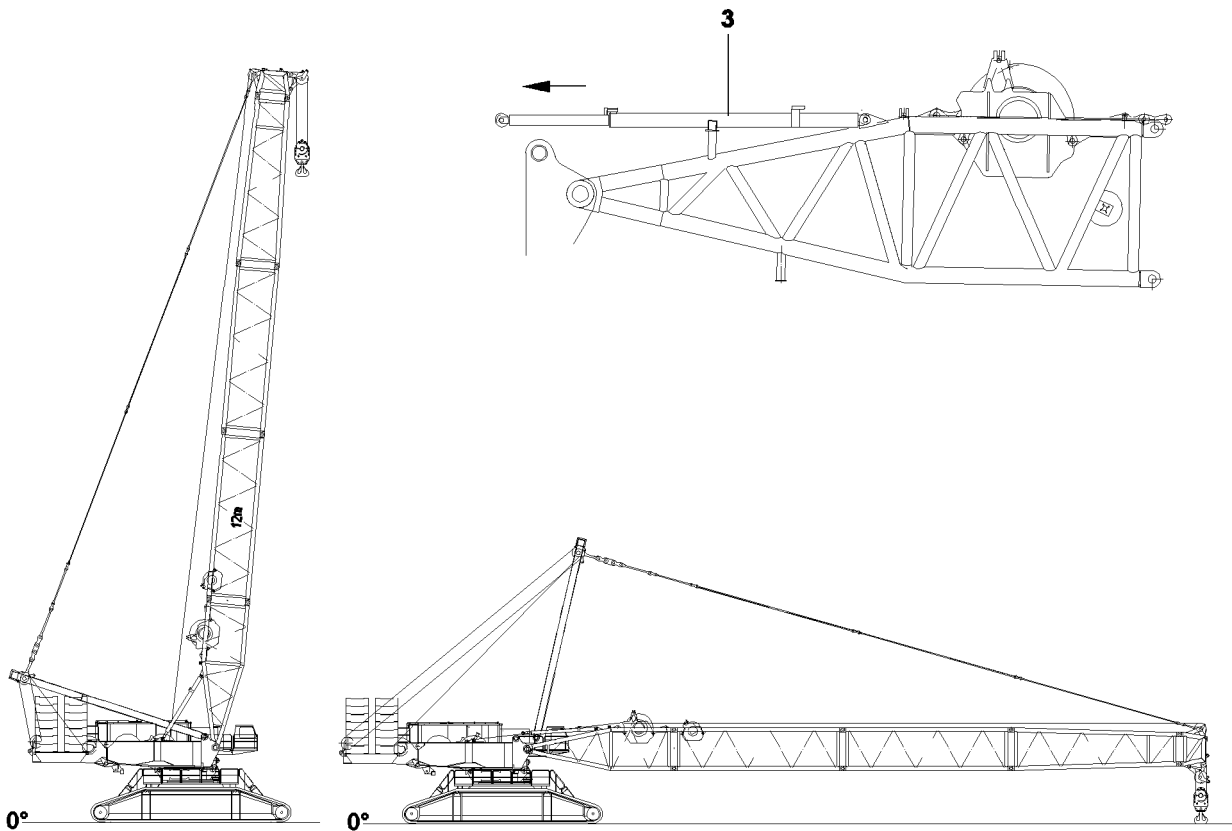
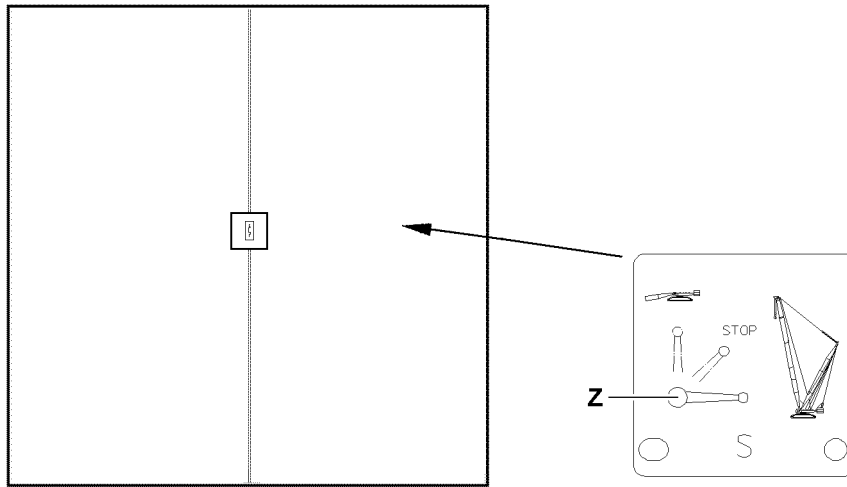


Fig.112885

LWE/LR 11350-005/19004-04-02/en

2.11 Erecting the boom



WARNING

The crane can topple over!

In crane operation with exceeded LICCON overload protection, the crane can topple over!

Personnel can be severely injured or killed!

- ▶ The radii listed in the load chart may not be exceeded or fallen below, even if there is no load on the hook!

If required in the erection and take down chart:

- ▶ Carry the hook block along with the auxiliary crane!



WARNING

The crane can topple over!

If the following conditions are not met before erecting the boom, the crane can topple over!

Personnel can be severely injured or killed!

- ▶ Observe the safety technical notes, see Crane operating instructions, chapter 5.01!
- ▶ Extend the S-relapse cylinders before erecting the boom combination!
- ▶ Do not allow slack cable to build up on the control winch!



WARNING

Falling hoist rope!

If the hoist rope is not reeved with the respective length over the S-boom before the erection procedure, then it can fall backward due to its own weight!

Personnel can be severely injured or killed!

- ▶ Reeve in the hoist rope with sufficient length on the S-boom before the erection process!
- ▶ The hoist rope must be constantly monitored during erection!
- ▶ Do not step into the danger zone!

Make sure that the following prerequisites are met:

- The crane is aligned in horizontal direction.
- All electrical connections have been made.
- All hydraulic connections have been made.
- All limit switches are functioning.
- The counterweight has been installed on the turntable according to the erection and take down chart.
- All pin connections have been secured.
- The hoist rope has been correctly placed in the rope pulleys and is prevented from jumping out with the rope retaining pins.
- Non-required guy rods are disassembled.
- There are no loose parts on the boom.
- The boom is free of snow and ice.
- The LICCON overload protection has been set according to the data in the load chart.
- The load weighing was carried out on the boom and the hook block weight has been entered on the LICCON monitor, see Crane operating instructions, chapter 4.02.
- The LICCON overload protection settings have been compared with the actual crane configuration.
- The LICCON overload protection is exceeded.
- The assembly icon is visible on the LICCON monitor.
- No personnel is within the danger zone.

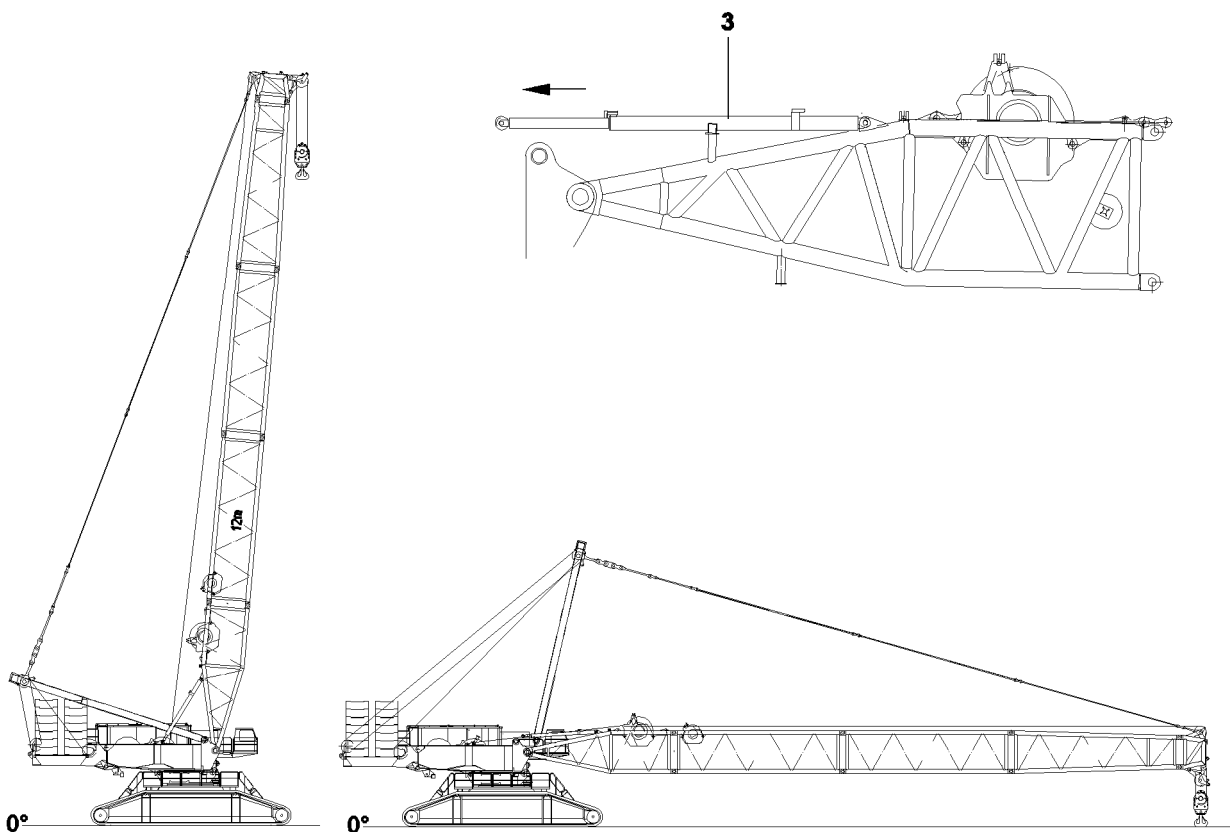
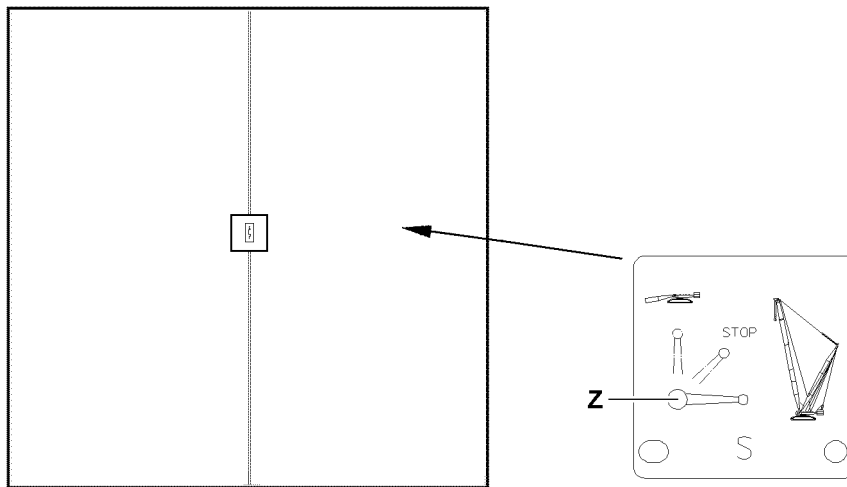


Fig.112885

LWE/LR 11350-005/19004-04-02/en

2.11.1 Extending the S-relapse cylinder



WARNING

The crane can topple over!

If the S-relapse cylinders are not extended before erecting the boom, then the boom can fall to the rear during erection or in crane operation and the crane can topple over!

Personnel can be severely injured or killed!

- ▶ Extend the S-relapse cylinders before erecting the S-boom!
- ▶ Secure the ball valve **Z** during crane operation to prevent inadvertent actuation!

Ball valve positions	
Position	Function
Horizontal	Crane operation, extend the piston rod
Vertical	Assembly, retract the piston rod
STOP	The piston rod cannot be retracted / extended

Make sure that the following prerequisite is met:

- All hydraulic connections have been made.
- ▶ Move the ball valve **Z** into horizontal position.

Result:

- The piston rods of the S-relapse cylinders **3** extend.




Note

- ▶ The ball valve **Z** is secured by closing the cabinet door and removing the key!

When the piston rods of the S-relapse cylinders **3** are fully extended:

- ▶ Close the cabinet door and pull the key.
- ▶ Hand the key to an authorized person.

LIEBHERR



xx> <xx CODE>XXXX< ZXXX YYYYY.1(3)

XX,X	XX,X	XX,X	XX,X	XX,X	XX,X	XX,X	XX,X
XXX,X	XXX,X	XXX,X	XXX,X	XXX,X	XXX,X	XXX,X	XXX,X
XXX,X	XXX,X	XXX,X	XXX,X	XXX,X	XXX,X	XXX,X	XXX,X
XXX,X	XXX,X	XXX,X	XXX,X	XXX,X	XXX,X	XXX,X	XXX,X
XXX,X	XXX,X	XXX,X	XXX,X	XXX,X	XXX,X	XXX,X	XXX,X
XXX,X	XXX,X	XXX,X	XXX,X	XXX,X	XXX,X	XXX,X	XXX,X
XXX,X	XXX,X	XXX,X	XXX,X	XXX,X	XXX,X	XXX,X	XXX,X
XXX,X	XXX,X	XXX,X	XXX,X	XXX,X	XXX,X	XXX,X	XXX,X
XXX,X	XXX,X	XXX,X	XXX,X	XXX,X	XXX,X	XXX,X	XXX,X
xxx	xxx	xxx	xxx	xxx	xxx	xxx	xxx
uu	uu	uu	uu	uu	uu	uu	uu
>>							

v

xx° xxx
xxx,xxx xxx,xxx

xxx

xxx

uu xxx

n
xx

O.K.

SHIFT

F1

F2

F3

F4

F5

F6

F7

F8

ENTER

○

7

8

9

4

5

6

1

2

3

0

.

P

K

F

F

C


i

<

>

○

LIEBHERR



max n =XX
xx XXX.X

x

x

!!

STOP

ZXXX YYYY	XXX	0	1/min: XXXX	50	90 100 110 130%	xx	XXX.X
	X° x.X x.X		XX/s	XX.X max: XX.X		XX.X	XX.X°
XXX XX xx	XXX XX xx	V: XX%	XXX°			XX.X	XX.X
	2:2Y	1:1Y	XX.X v		XX.X	XX.X	XX.X

=> 0

=> 0

!!

<=>

xx

SHIFT

F1

F2

F3

F4

F5

F6

F7

F8

ENTER

○

7

8

9

4

5

6

1

2

3

0

.

P

K

F

F

C

i

<

>

○

Fig.112775

2.11.2 Erection procedure



DANGER

The crane can topple over!

- ▶ It is prohibited to turn the crane superstructure while erecting the boom!
- ▶ Adhere to the data in the erection and take down charts!

Make sure that the following prerequisite is met:

- The load weighing was carried out on the boom and the hook block weight has been entered on the LICCON monitor, see Crane operating instructions, chapter 4.02.

Reeving in the hook block

- ▶ Erect the boom until the end section lifts off the ground.



WARNING

Falling hoist rope!

If the hoist rope is not reeved with the respective length over the S-boom before the erection procedure, then it can fall backward due to its own weight.

Personnel can be severely injured or killed!

- ▶ Reeve in the hoist rope with sufficient length on the S-boom before the erection process!
 - ▶ The hoist rope must be constantly monitored during erection!
 - ▶ Do not step into the danger zone!
-
- ▶ Reeve in the hoist rope properly and secure on the rope fixed point, for reeving, see Reeving plan.
 - ▶ Pin and secure the rope retainers on the rope pulleys.
 - ▶ Attach the hoist limit switch weight, see section Crane operating instructions, chapter 4.06.

Erecting the boom



WARNING

The crane can topple over!

In crane operation with exceeded LICCON overload protection, the crane can topple over!

There is then no additional protection against crane overload!

Personnel can be severely injured or killed!

- ▶ The radii listed in the load chart may not be exceeded or fallen below, even if there is no load on the hook!
- ▶ Crane operation with deactivated LICCON overload protection is prohibited!



Note

- ▶ When the lowest operating position of the boom is reached, the LICCON overload protection is activated!
 - ▶ In the maximum load icon appears a load number in „t“ instead of the display „???“!
-
- ▶ Luff the boom up to the lowest operating position.

When the boom has reached the lowest operating position:

- ▶ Make sure that the assembly icon on the LICCON monitor turns off.

Result:

- The LICCON overload protection is active.

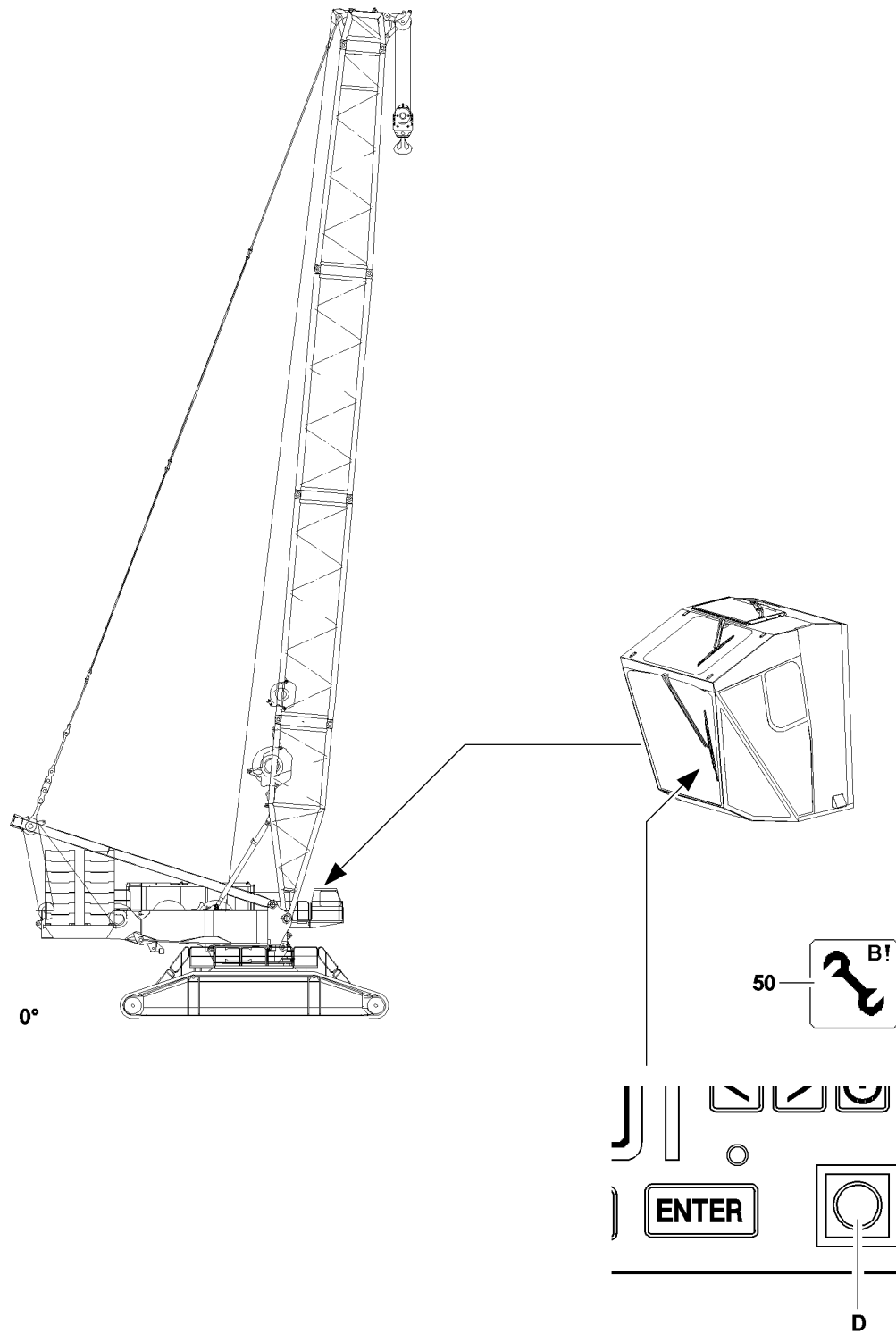


Fig.112887

LWE/LR 11350-005/19004-04-02/en

3 Operating the crane

3.1 Preparing for crane operation

**Note**

- ▶ Observe the notes, see Crane operating instructions, chapter 4.02, chapter 4.05, chapter 4.08 and chapter 5.01!

Make sure that the following prerequisites are met:

- The LICCON overload protection is active.
- The LICCON overload protection has been set according to the data in the load chart.

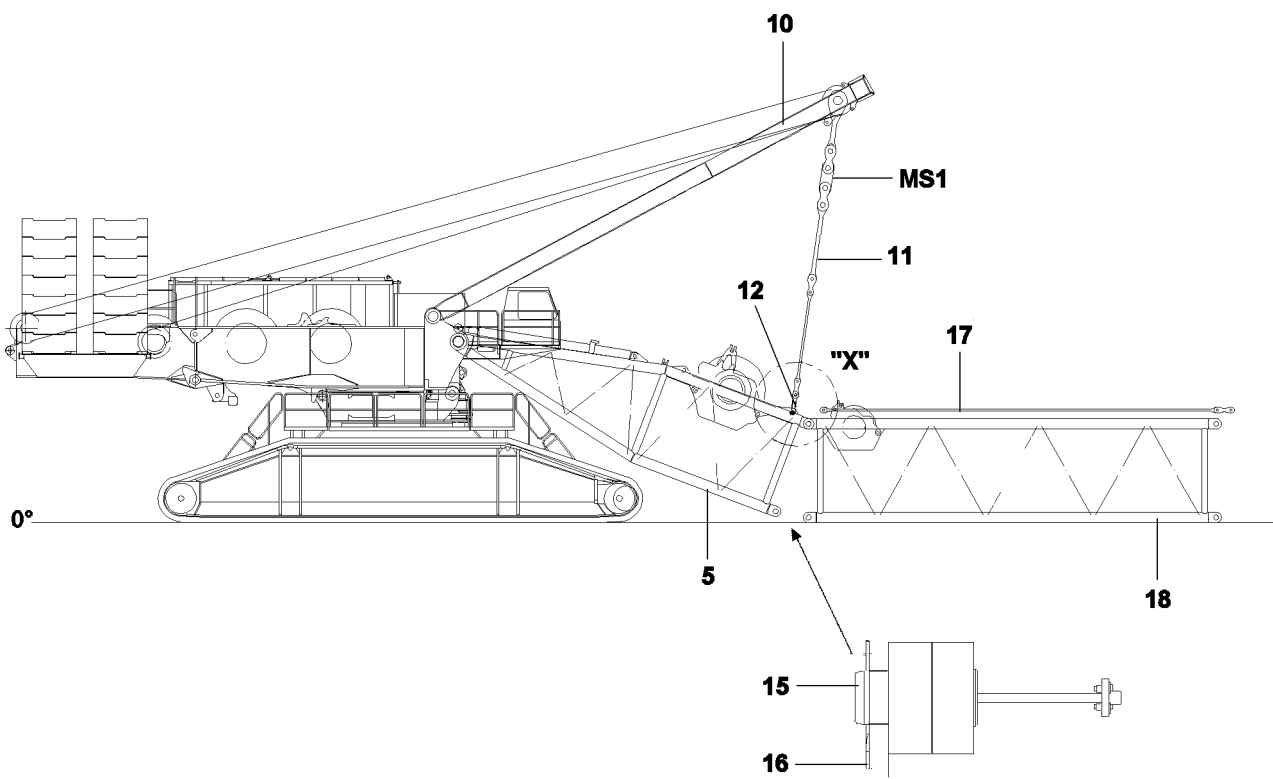
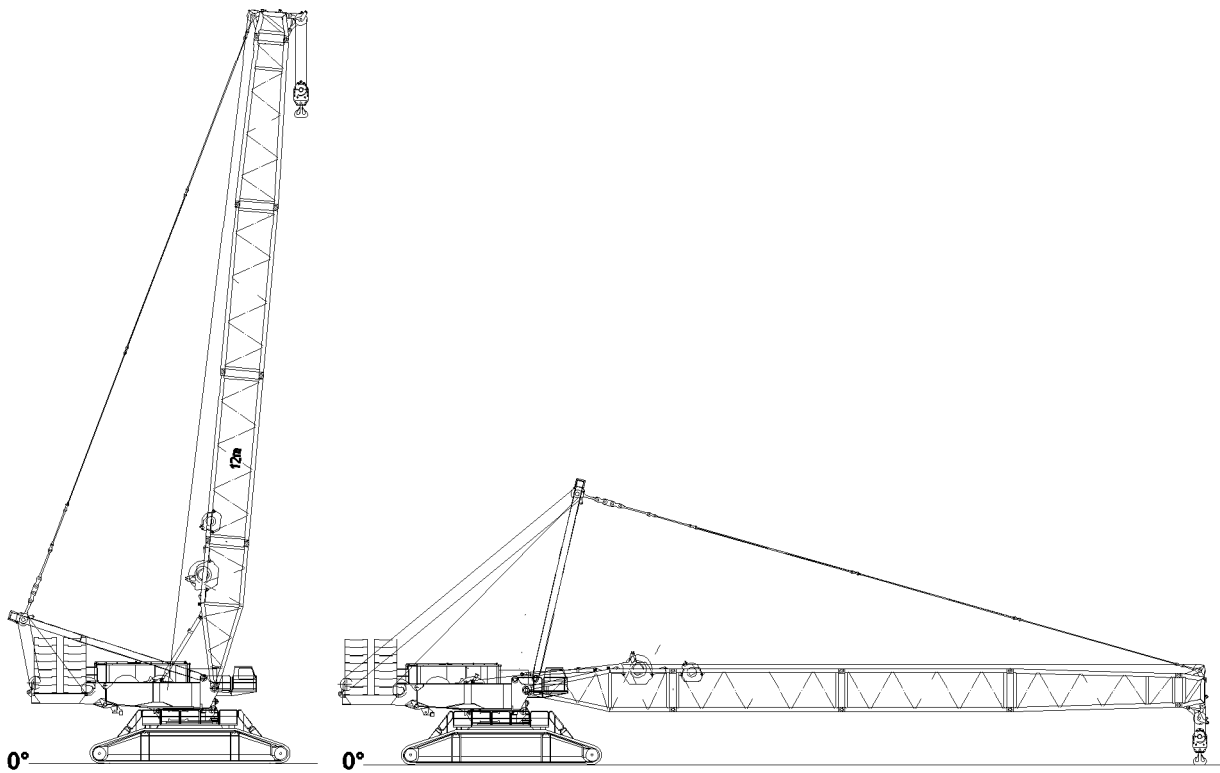
**WARNING**

The crane can topple over!

- ▶ Check the horizontal position of the crane before and during operation!
- ▶ If the crane operator leaves the cab, even for a short time, the operating mode setting must be checked and reset if necessary before resuming crane operation!

3.1.1 Checking the settings

- ▶ Check the function of the overload protection by running against the operating positions „on top“ and „bottom“.
- ▶ Check the hoist limit switch by running against the hoist limit switch weight.
- ▶ Check the function of the limit switches „Boom steep“ on the relapse cylinders.



LWE/LR 11350-005/19004-04-02/en

Fig.199422

4 Disassembly



WARNING

Risk of falling!

During assembly and disassembly, personnel must be secured with appropriate aids to prevent them from falling. If this is not observed, assembly personnel can fall and suffer life-threatening or fatal injuries!

- ▶ Any work, where there is a danger of falling must be carried out with suitable aids (for example: lifting platforms, scaffoldings, ladders, auxiliary crane)!
- ▶ If the work cannot be carried out with such aids nor from the ground, then the assembly personnel must secure themselves with approved fall arrest systems to avoid falling, see Crane operating instructions chapter 2.04!
- ▶ If railings are present on the components, then they must be brought into the corresponding position and secured for assembly / disassembly work!
- ▶ Step on aids and fall protection equipment only with clean shoes!
- ▶ Keep aids and fall protection equipment clean and free from snow and ice!
- ▶ During all assembly and disassembly work, maintenance work and inspections, travel or crane operation is prohibited!



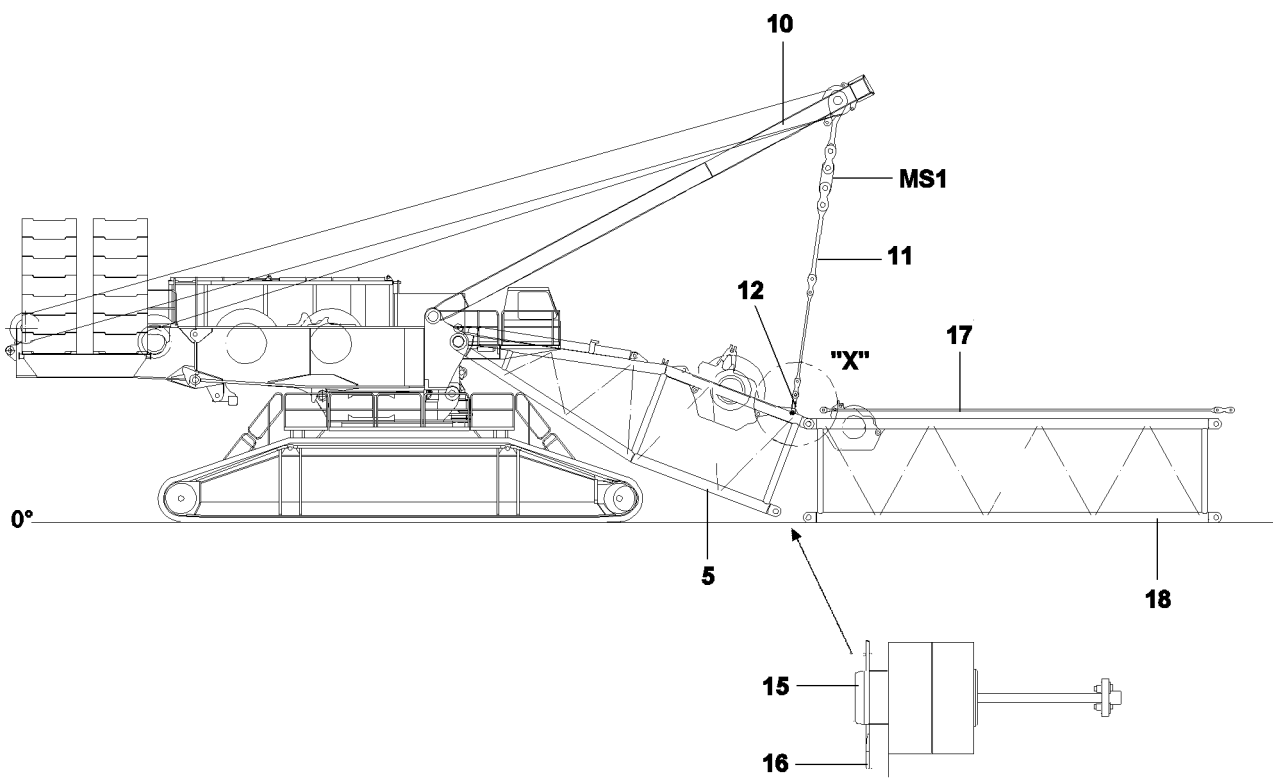
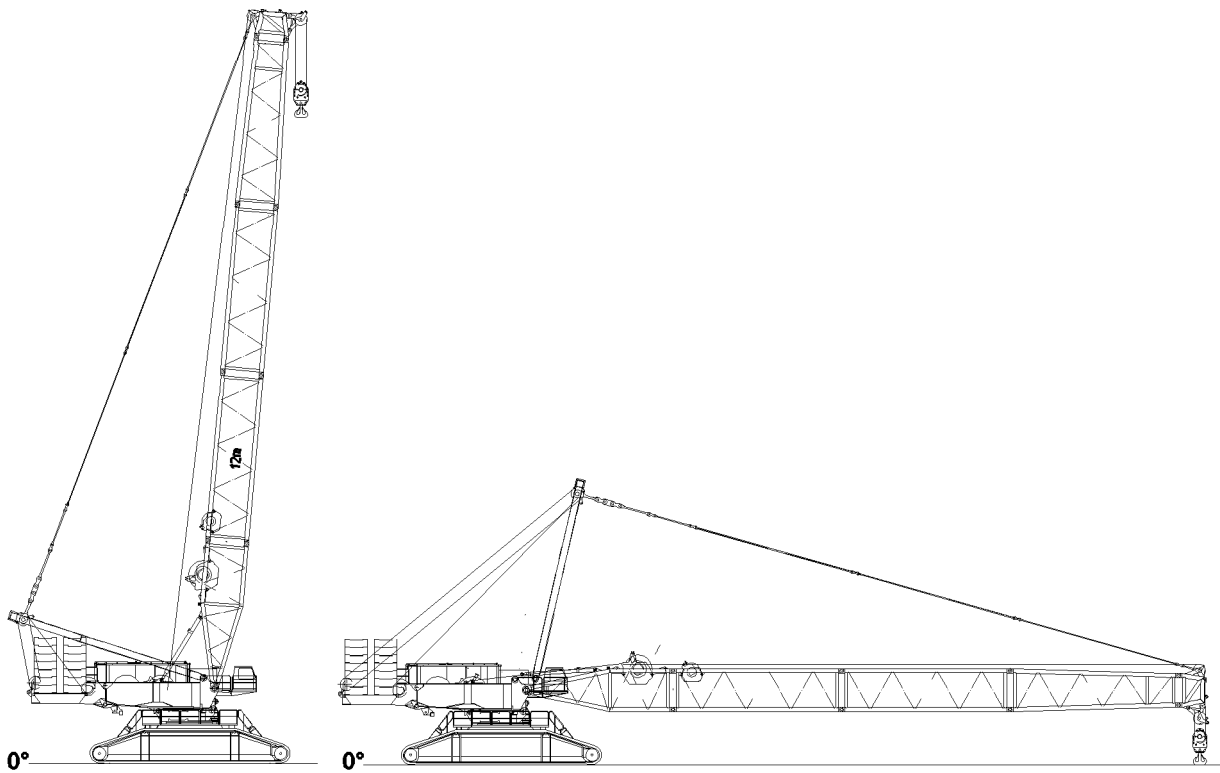
WARNING

Falling components!

If unsecured or non-supported components are installed or removed, they can fall down!

Personnel can be severely injured or killed!

- ▶ During pinning and unpinning of the lattice sections, it is prohibited for anyone to remain **under** or **on** the components as well as within the entire danger zone!
- ▶ Support the boom and components before pinning / unpinning!
- ▶ Pin or unpin both pins laying in a horizontal, i.e. **left** and **right**!
- ▶ Secure the pins in the bearing points and in the receptacles!
- ▶ Do not disengage the auxiliary crane until each component is pinned and secured!
- ▶ It is prohibited to lean a ladder against the component being disassembled!



LWE/LR 11350-005/19004-04-02/en

Fig.199422

**WARNING**

Danger of impact / crushing!

When installing / removing crane components with the auxiliary crane, crane components can start to swing back and forth!

When lifting / lowering and positioning crane components, there is an increased danger of impacts / crushing!

Personnel can be severely injured or killed!

- ▶ Make sure that personnel cannot be caught by components!
- ▶ Make sure that the crane is horizontally aligned!
- ▶ When working in danger zones: Use aids to protect limbs!
- ▶ Guide components with suitable aids to minimize oscillation!

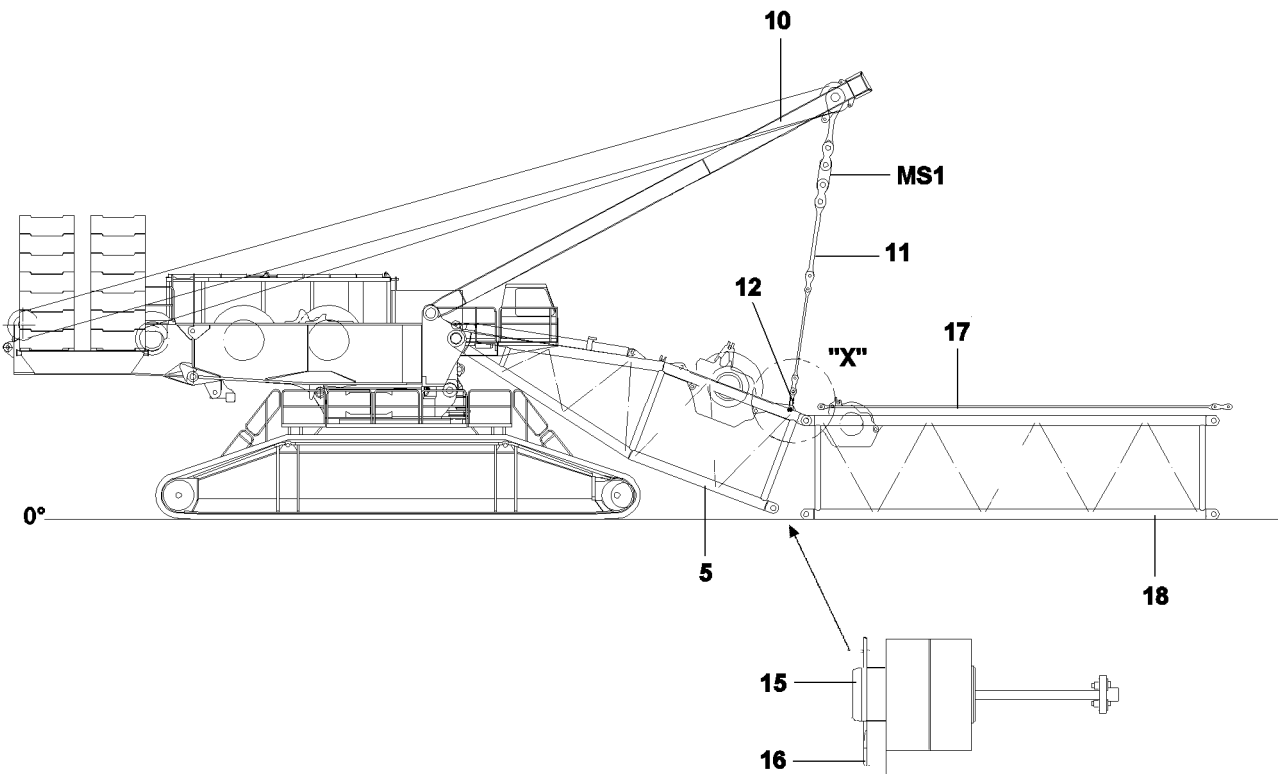
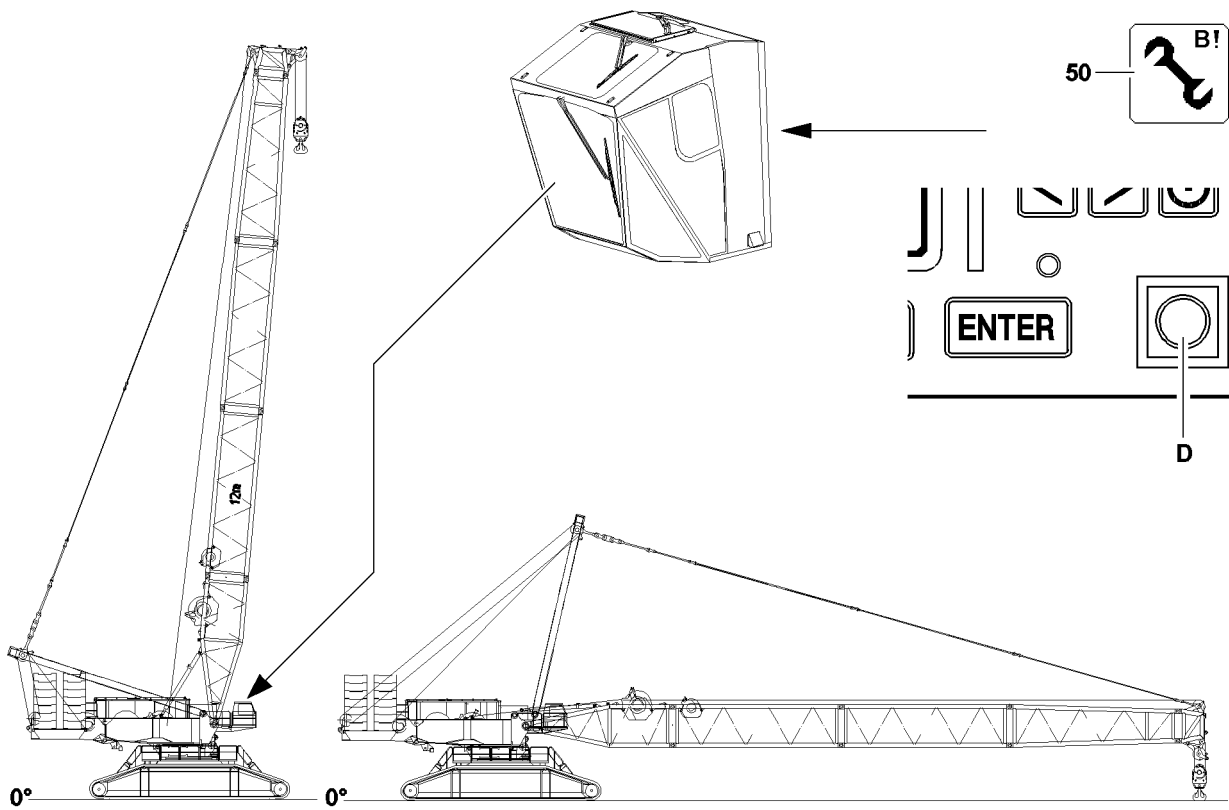
**WARNING**

The crane can topple over!

If the turntable is turned during the assembly of the boom, then the crane can topple over and be severely damaged!

Personnel can be severely injured or killed!

- ▶ The turntable may not be turned during the assembly of the boom!



LWE/LR 11350-005/19004-04-02/en

Fig.112888

4.1 Taking the S-boom down



WARNING

The crane can topple over!

If the following conditions are not met before taking down the S-boom, the crane can topple over!

Personnel can be severely injured or killed!

- ▶ Observe the safety technical notes, see Crane operating instructions, chapter 5.01!
- ▶ Observe the data in the erection and take down charts!

NOTICE

Damage of boom components!

Taking down the boom system can lead to a collision between the hook block and the pulley head!

The boom components can be severely damaged!

- ▶ Luff the boom system down at the same time and spool the hoist winch out!
- ▶ When luffing the boom system down, the SA-frame must remain in operating position until the S-end section is laying on the ground or on a supporting base or it is safely held by an auxiliary crane!

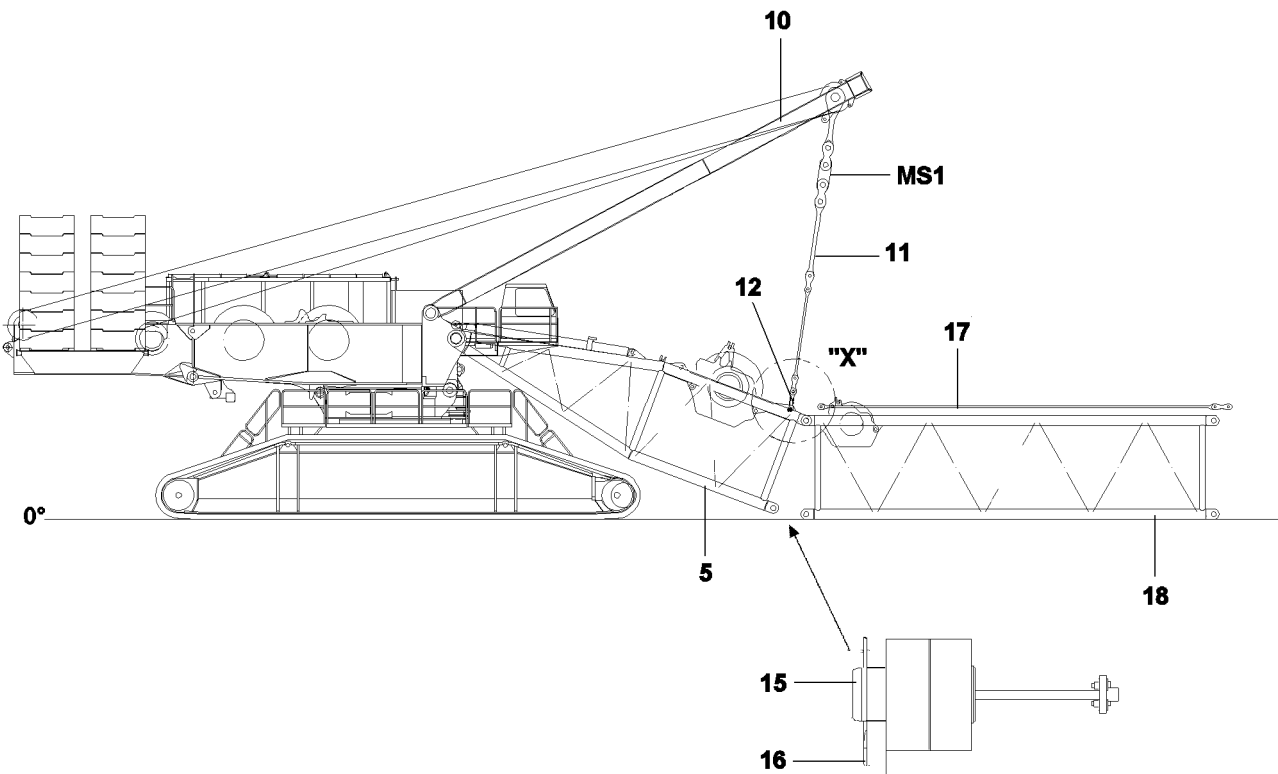
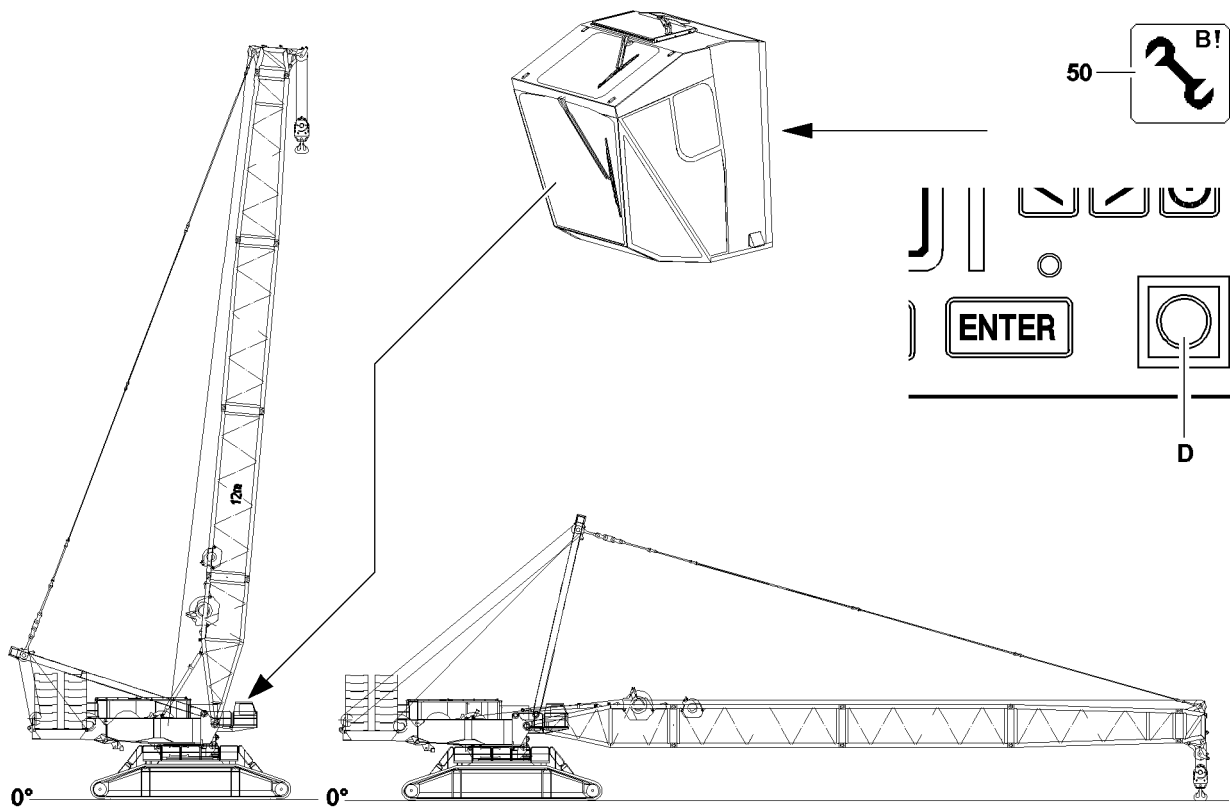


Note

- ▶ The luff down movement is turned off as soon as the lowest operating position of the S-boom is reached!
 - ▶ When the lowest operating position of the S-boom is reached, the load display in the maximum load icon turns off and instead of the load display appears the display „???”!
 - ▶ In the crane operating screen appear alarm functions!
- ▶ Luff the S-boom down to the **lowest** operating position.

Result:

- The luff down movement is turned off.
- The „STOP“ icon appears on the LICCON monitor.
- The horn icon appears on the LICCON monitor.



LWE/LR 11350-005/19004-04-02/en

Fig.112888

**WARNING**

Assembly with turned on set up key!

When the set up key is engaged, the LICCON overload protection is exceeded!

In the event of deliberate improper use, the crane could collapse, the boom can break off or the crane can topple over!

Personnel can be severely injured or killed!

This could result in high property damage!

- ▶ The set up key **D** may only be actuated by persons who know the effects of a bypass!
- ▶ Press the set up key **D** only when the set up status was correctly entered into the LICCON computer system!
- ▶ Observe the erection / take down charts!
- ▶ Crane operation with the set up key **D** turned on is strictly prohibited!

- ▶ Turn the set up key **D** to the right.

Result:

- The LICCON overload protection is deactivated.
- The assembly icon **50** appears on the LICCON monitor.
- ▶ At the same time, spool the hoist winch out and luff the S-boom down until the hook block touches the ground.
- ▶ Remove the hoist limit switch weight and unreeve the hook block.
- ▶ Luff the S/SL-boom down until the boom or the boom head is laying on the support.

**WARNING**

Spooling up of hoist rope!

By spooling the hoist rope up, personnel can be severely injured or killed!

- ▶ All rope retaining pins / pipes on the S-boom are removed!
- ▶ Slowly spool up the hoist rope over the rope pulleys back to the winch!
- ▶ Make sure that no personnel is within the danger zone!

NOTICE

Overspooled winch!

If the hoist rope is pulled under the winch when spooling up, then the adjustment of the cam limit switch can change!

A new adjustment by **Liebherr Service** is required!

- ▶ Stop the winch in time, with sufficient rope reserve!
- ▶ Do not overspool the winch!

- ▶ Spool the hoist rope up.

Fig.195219

LWE/LR 11350-005/19004-04-02/en

4.2 Disconnecting the electrical connections

Make sure that the following prerequisite is met:

- The S-boom is placed on the support.

NOTICE

Damage to cable drum or cable!

If the cable of the cable drum is not properly spooled up on the cable drum after unplugging the S-end section, then the cable drum or the cable can be significantly damaged!

- ▶ Spool the cable drum up after unplugging!
-
- ▶ Spool the cable drum up and secure it to prevent inadvertent spooling out.
 - ▶ Disconnect the electrical connections and store the plug and cable properly.

4.3 Disconnecting the hydraulic connections

When hydraulic lines are connected and disconnected with quick-release couplings, make ensure that the coupling procedure is being performed correctly.



DANGER

Risk of accident due to loss of pressure or leakage!

Incorrectly coupled or self-loosening quick-release couplings (particularly return lines) can result in serious accidents due to component failure!

- ▶ Check that the quick-release couplings have been properly connected before using the crane!
-



Note

- ▶ To connect or release the hydraulic lines with quick couplers, see Crane operating instructions, chapter 5.01!
-
- ▶ Release the pressure in the hydraulic system before connecting and disconnecting. Turn the engine off and wait for short time.
 - ▶ Assembling coupling components (sleeve and connector) by using hand-tightened nut.
 - ▶ Connect coupling components.

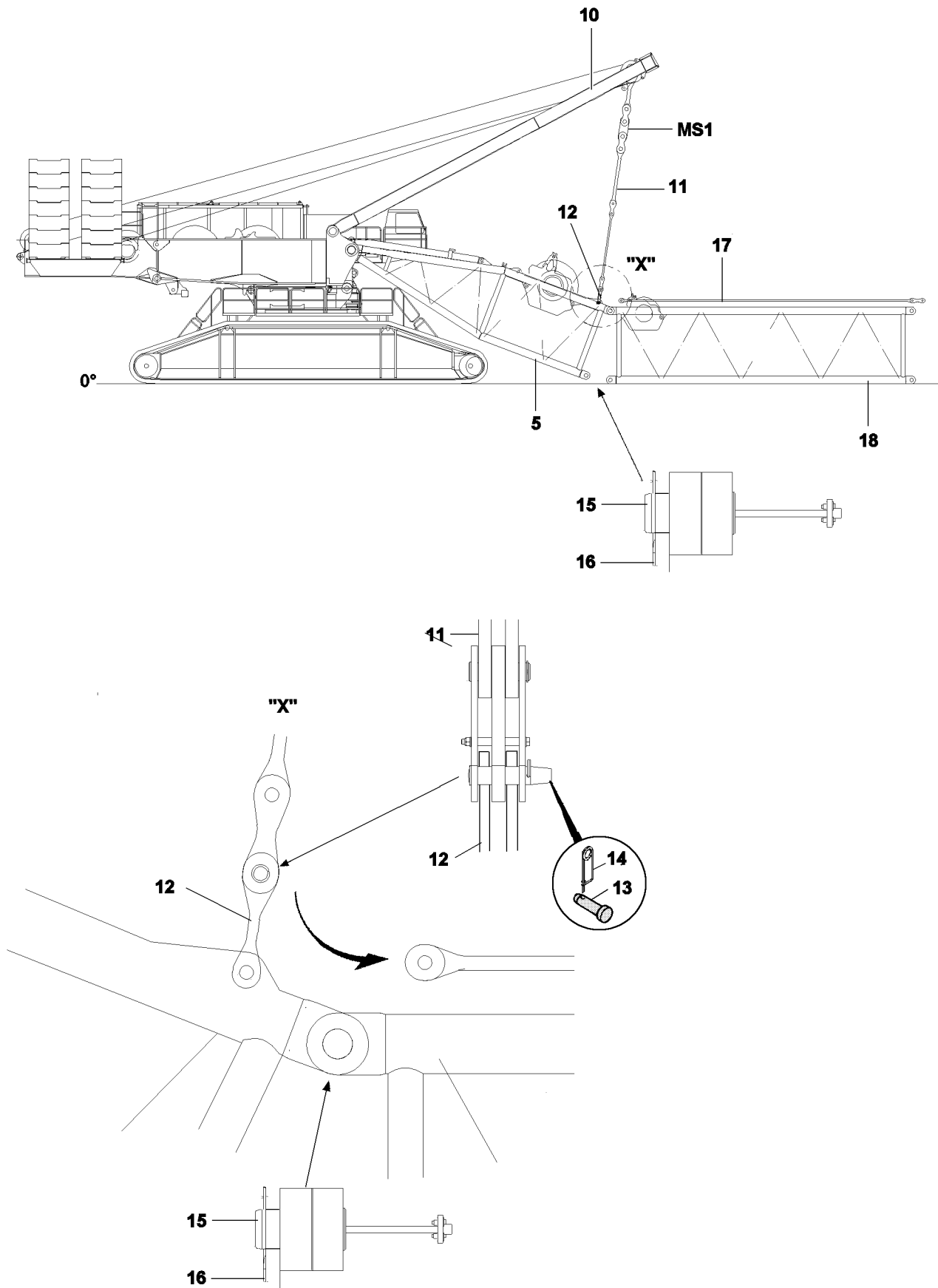


Fig.199415

LWE/LR 11350-005/19004-04-02/en

4.4 Disassembling the S-boom



DANGER

The boom can suddenly fold down!

If the following conditions are not met prior to dismantling the boom, the boom can fold down and fatally injure people!

- ▶ Support the S-boom during disassembly with suitable materials!
- ▶ The guy rods must be pinned and secured on the brackets prior to unpinning the S-pivot section!
- ▶ Do not stand under the booms or within the complete danger zone during the pinning and unpinning procedure of the booms!

-
- ▶ Relieve the guy rods **11** by lowering the SA-frame **10**. Spool out winch 4.
 - ▶ Unpin the guy rods **11** on the guy rods **17**: Remove the spring retainer **14** and unpin the pin **13**.
 - ▶ Pin the guy rods **11** on the brackets **12**: Insert the pin **13** and secure with spring retainer **14**.
 - ▶ Deposit and secure guy rods **17** before transporting on the S-lattice components.



DANGER

Damage to crane!

If the following conditions are not met, personnel can be fatally injured or the crane can be damaged.

- ▶ The maximum permissible total force on test point **MS1** may not exceed 150 t.

It is permissible to lift the following maximum boom lengths with the SA-frame **10**:

- ▶ S 90 m with assembled S-guy rods and WA-frame 2 guy rods.
- ▶ SL 102 m with assembled S-guy rods.
- ▶ The end section may not be raised, it must rest on the ground.

-
- ▶ Pull the S-pivot section **5** up with the SA-frame **10** and unpin on both sides **below**: Remove the spring retainer **16** and unpin the pin **15**.
 - ▶ Lower the S-pivot section on the support.



Note

- ▶ The ACTUAL force on test point **MS1** is shown on monitor 1.
 - ▶ Tension the guy rods on the SA-frame **10** with the same force as during the assembly.
 - ▶ For this, refer the ACTUAL force at the measuring point measured and recorded during the assembly (MS1).
 - ▶ The pins can be pulled easier and the pins and brackets are therefore not damaged.
-
- ▶ Relieve the guy rods **11** by lowering the SA-frame **10**.
 - ▶ Unpin the guy rods **11** on the brackets **12**: Remove the spring retainer **14** and unpin the pin **13**.
 - ▶ Unpin the lattice components and dismantle.

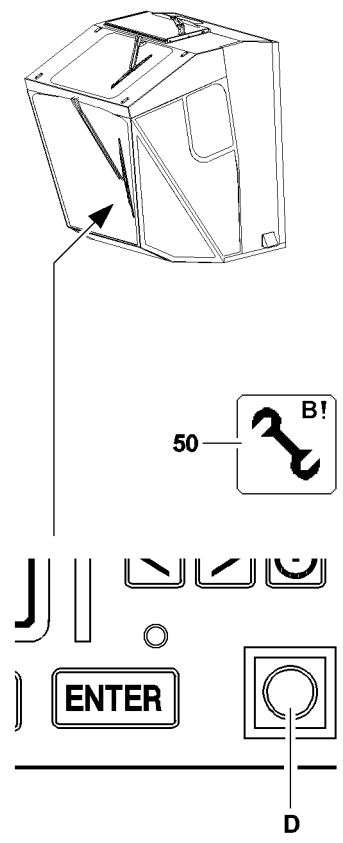
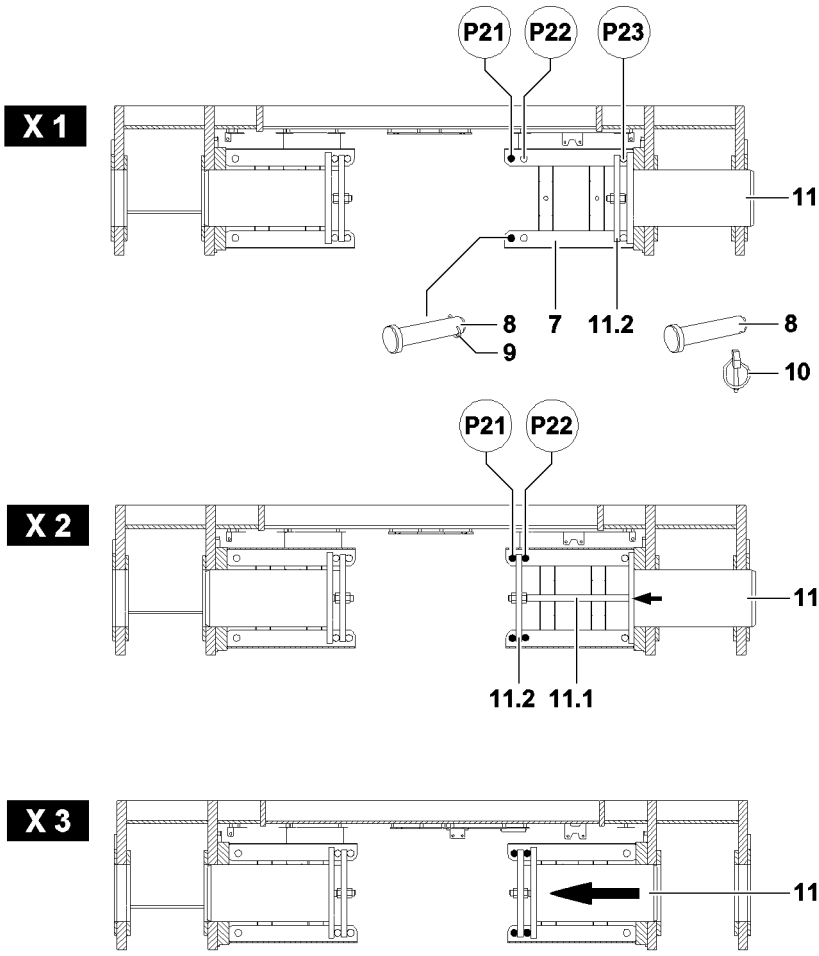
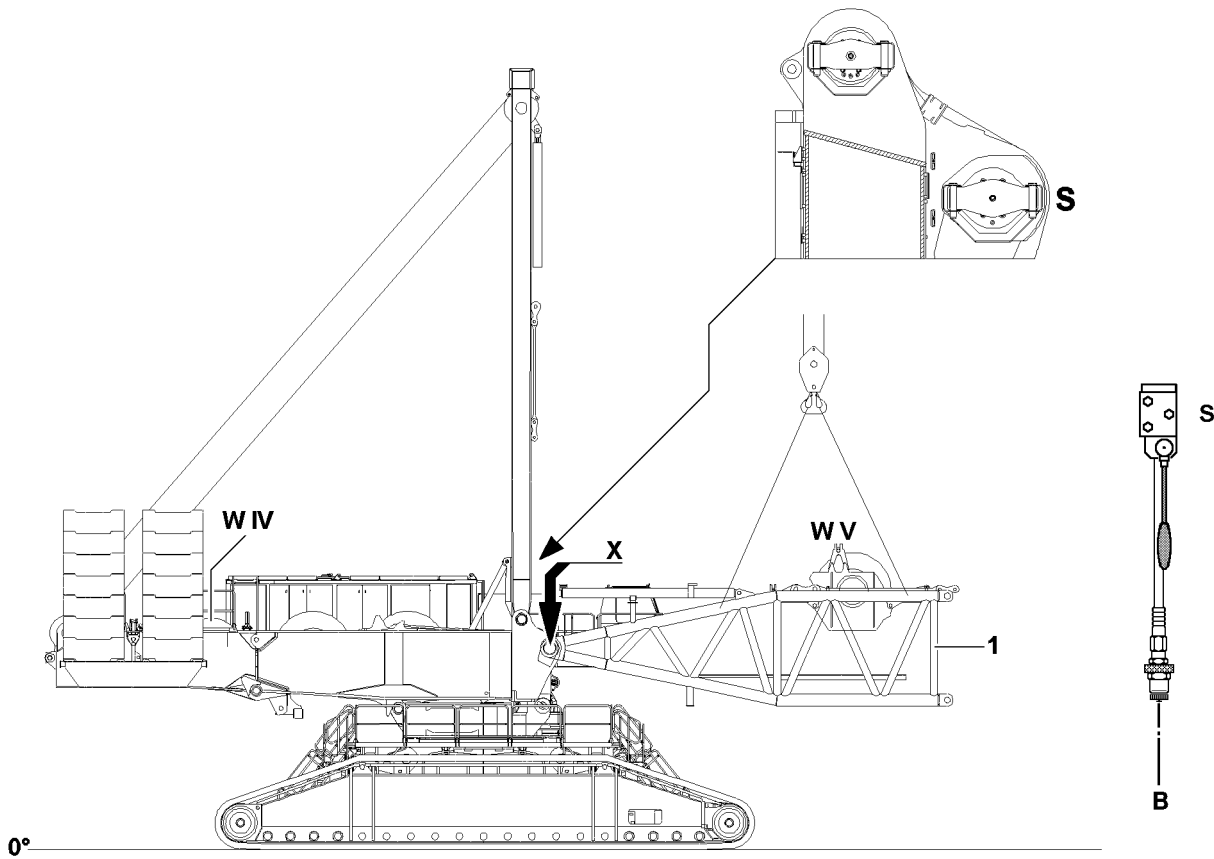


Fig.112883

LWE/LR 11350-005/19004-04-02/en

4.5 Unpinning the S-pivot section on the turntable



Note

- ▶ Select the fastening points on the S-pivot section in such a way that the S-pivot section hangs horizontally on the auxiliary crane at assembly, see section „Fastening points“!

- ▶ Attach the S-pivot section **1** on the auxiliary crane.
- or
- ▶ Lift the S-pivot section **1** with the auxiliary crane to the horizontal.



Note

- ▶ The hand lever **S** and the hydraulic connections **B** for the pin pulling device are on the left side of the turntable!

- ▶ Establish the hydraulic connections from the connecting pins **11** to the turntable, see Hydraulic diagram.
- ▶ Move the hand lever **S** and extend the piston rod **11.1** until the plate **11.2** touches on the stop pins **8** at point **P21**, illustration / view **X2**.
- ▶ Insert the additional pins **8** on both sides on points **P22** and secure with linch pins **10**, see illustration / view **X2**.

Result:

- The plate **11.2** is „tensioned“ between the pins **8** at point **P21** and point **22**.

NOTICE

Danger of property damage!

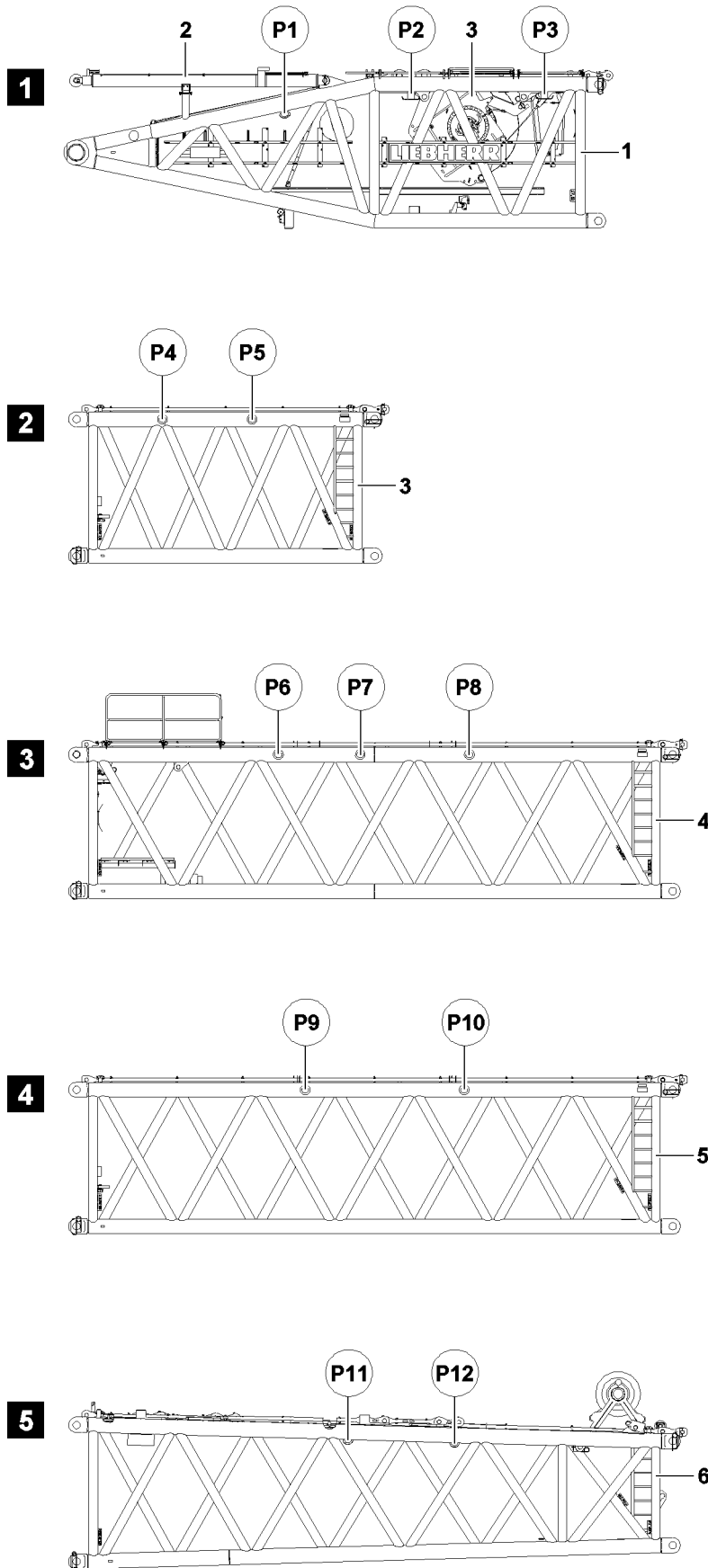
When unpinning the connecting pins **11**, the pins **8** or the guides **7** can be damaged!

- ▶ Make sure that the pins **8** are unpinned at point **P23** when unpinning the connecting pins **11**!

- ▶ Move the hand lever **S** and unpin the connecting pin **11** until the connecting pin **11** touches on the pins **8** on point **P22**, illustration / view **X3**.

Result:

- The S-pivot section can be swung out from the turntable with the auxiliary crane.
- ▶ Swing the S-pivot section **1** out with the auxiliary crane and place it down.
- ▶ Remove the auxiliary crane.



LWE/LR 11350-005/19004-04-02/en

Fig.112587

1 Components and fastening points



Note

- ▶ The weights of the respective components are listed in the Crane operating instructions, chapter 1.03!

1.1 Components S-pivot section

Position	Component
1	S-pivot section with winch 5
2	S-pivot section without winch 5

1) The stated weights are approximate.

1.2 Fastenings points of the S-lattice sections

1.2.1 Fastening points on the S-pivot section

1 Illustration

Fastening points	
P1 and P2	for D-pivot section without winch 5
P1 and P3	for D-pivot section with winch 5

1.2.2 Fastening points on S-intermediate section 6 m

2 Illustration

Fastening points	
P4 and P5	S-intermediate section 6 m

1.2.3 Fastening points on S-intermediate section for winch 6

3 Illustration

Fastening points	
P7 and P8	S-intermediate section without winch 6
P6 and P7	S-intermediate section with winch 6

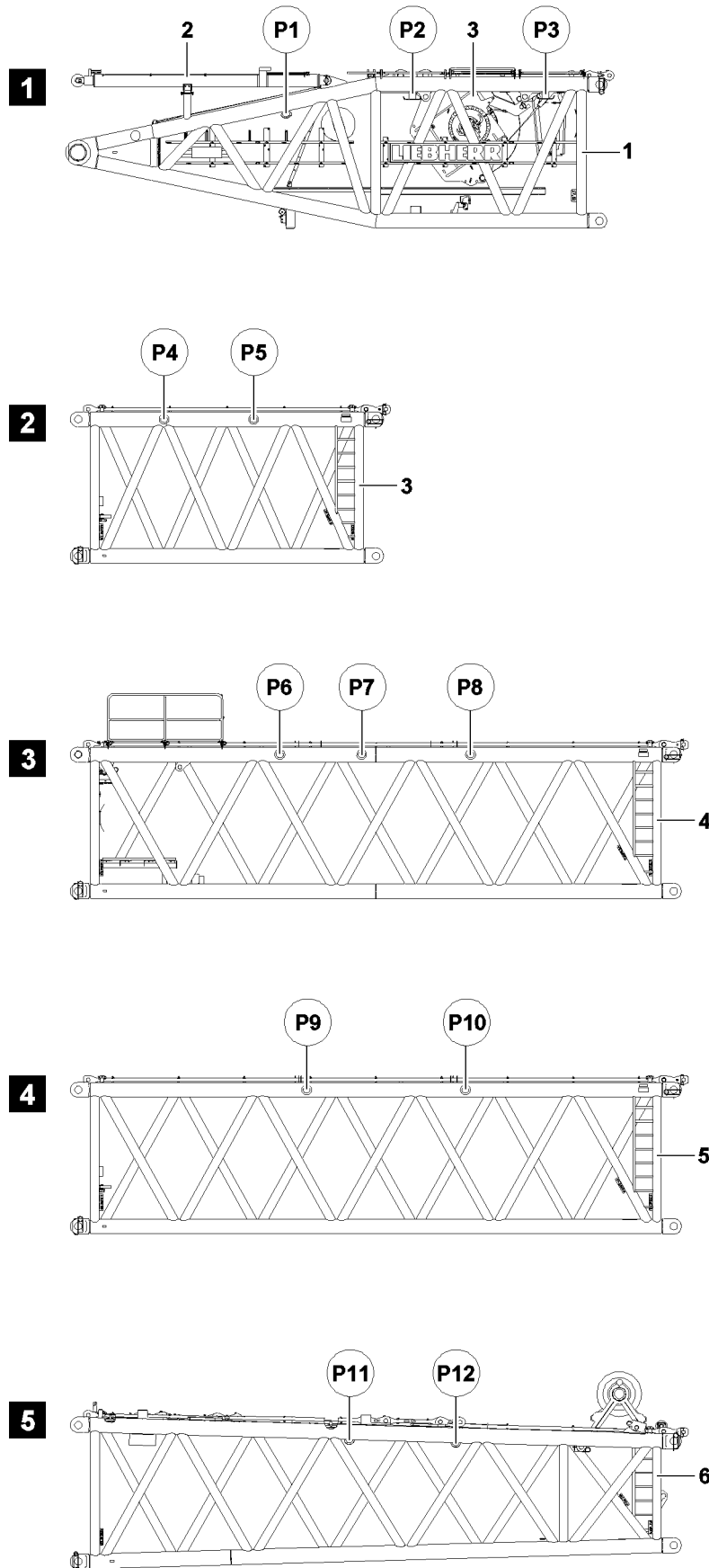


Fig.112587

1.2.4 Fastening points on S-intermediate section

4 Illustration

Fastening points	
P9 and P10	S-intermediate section

1.2.5 Fastening points on S-adapter

5 Illustration

Fastening points	
P11 and P12	S-adapter

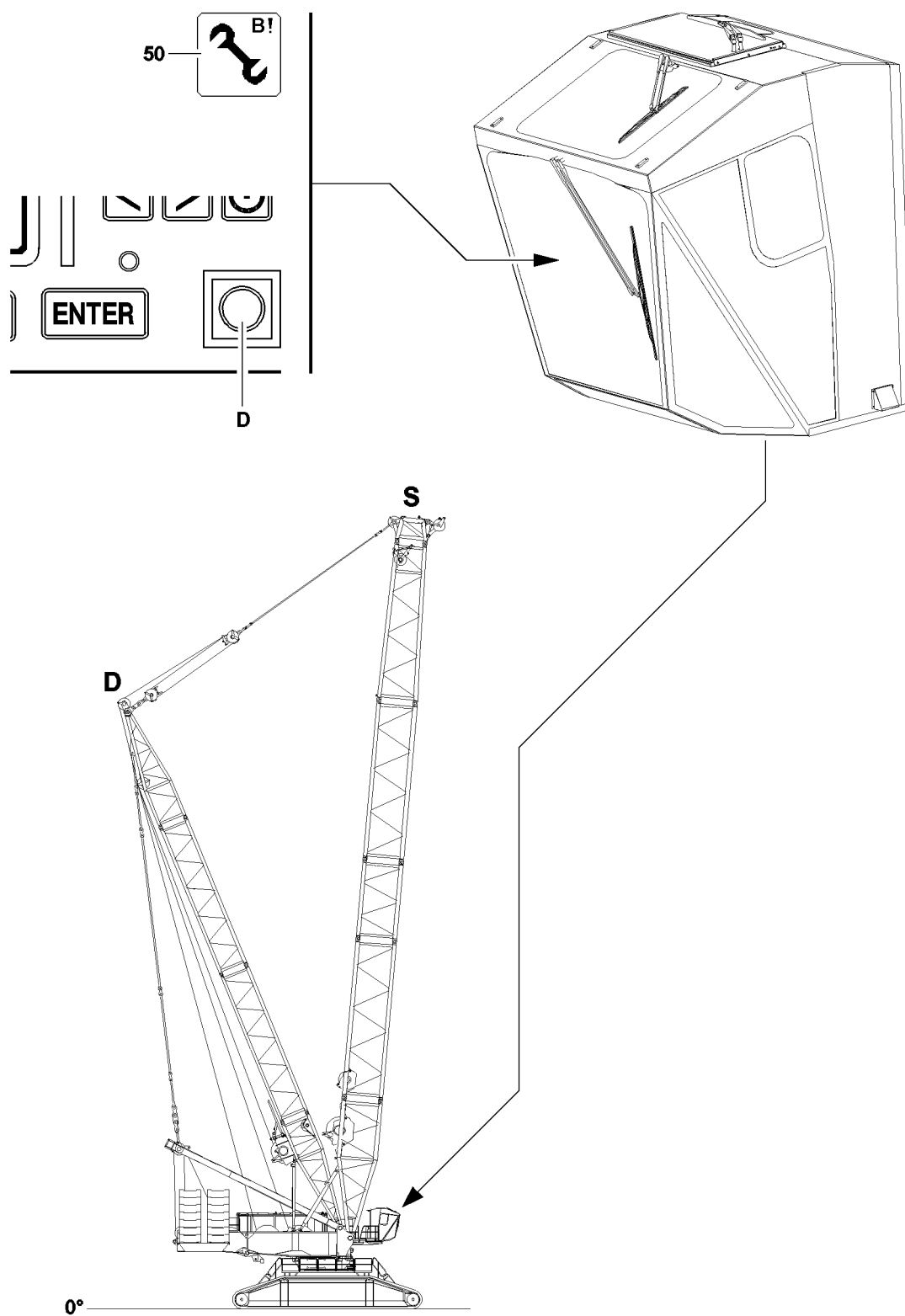


Fig.112588

2 Assembling the SLD/SD-boom



Note

- ▶ The assembly is described on the example of the S-boom.



WARNING

Danger of falling!

During assembly and disassembly, assembly personnel must be secured with appropriate aids to prevent them from falling. If this is not observed, assembly personnel can fall and suffer life-threatening or fatal injuries!

- ▶ Any work, where there is a danger of falling must be carried out with suitable aids (for example: lifting platforms, scaffoldings, ladders, auxiliary crane)!
- ▶ If the work cannot be carried out with such aids nor from the ground, then the assembly personnel must secure themselves with approved catch systems to avoid falling, see Crane operating instructions chapter 2.04!
- ▶ If railings are present on the components, then they must be brought into the corresponding position and secured for assembly / disassembly work!
- ▶ Step on aids and fall protection equipment only with clean shoes!
- ▶ Keep aids and fall protection equipment clean and free from snow and ice!
- ▶ During all assembly and disassembly work, maintenance work and inspections, travel or crane operation is prohibited!



WARNING

Falling components!

If unsecured or non-supported components are installed or removed, they can fall down! Personnel can be severely injured or killed!

- ▶ During pinning and unpinning of the lattice sections, it is prohibited for anyone to remain **under** or **on** the components as well as within the entire danger zone!
- ▶ Support the boom and components before pinning / unpinning!
- ▶ Pin or unpin both pins laying in a horizontal, i.e. **left** and **right**!
- ▶ Secure the pins in the bearing points and in the receptacles!
- ▶ Do not disengage the auxiliary crane until each component is pinned and secured!
- ▶ It is prohibited to lean a ladder against the component being disassembled!

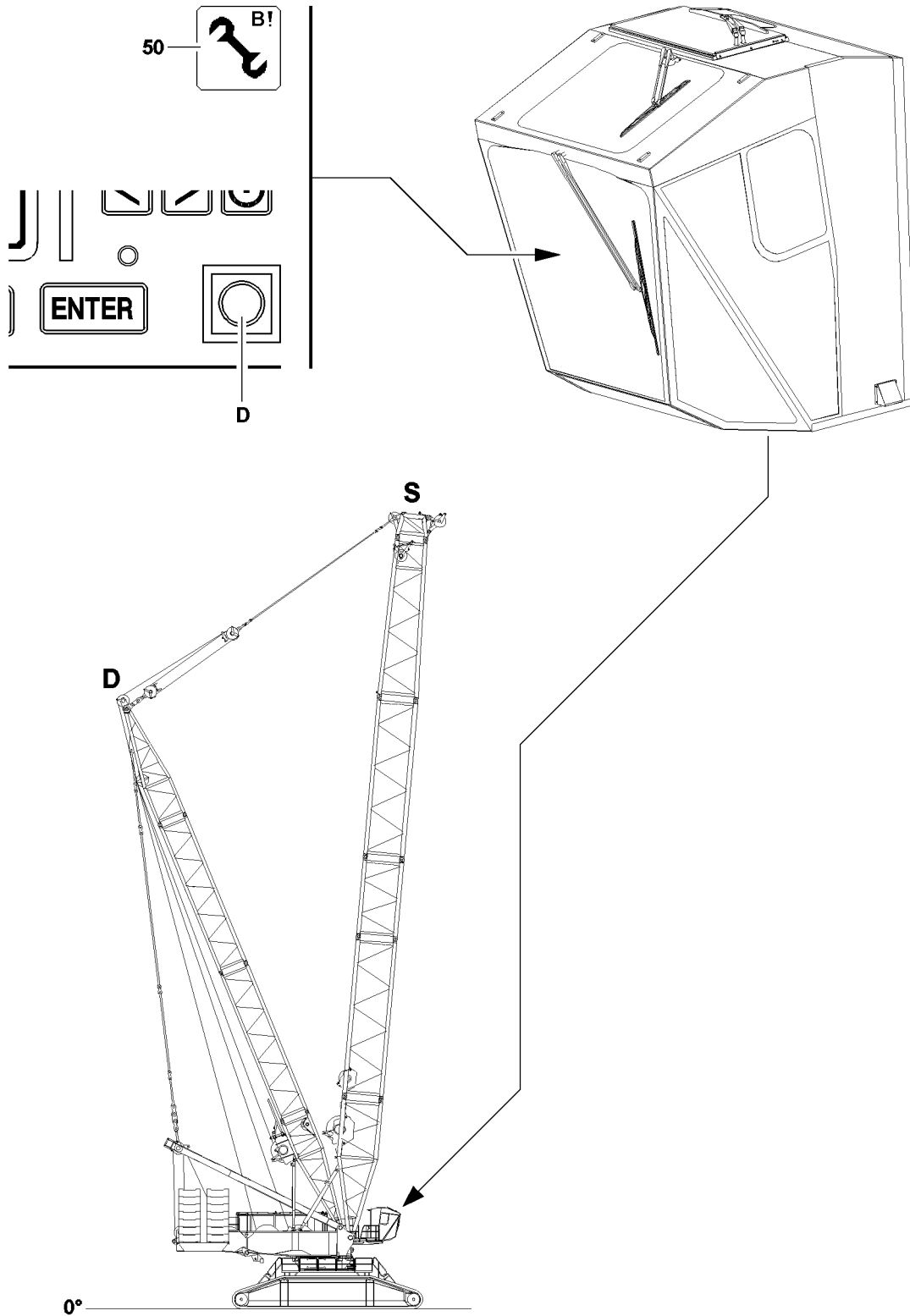


Fig.112588

LWE/LR 11350-005/19004-04-02/en

**WARNING**

Danger of impact / crushing!

When installing / removing crane components with the auxiliary crane, crane components can start to swing back and forth!

When lifting / lowering and positioning crane components, there is an increased danger of impacts / crushing!

Personnel can be severely injured or killed!

- ▶ Make sure that personnel cannot be caught by components!
- ▶ Make sure that the crane is horizontally aligned!
- ▶ When working in danger zones: Use aids to protect limbs!
- ▶ Guide components with suitable aids to minimize oscillation!

**WARNING**

The crane can topple over!

If the turntable is turned during the assembly of the boom, then the crane can topple over and be severely damaged!

Personnel can be severely injured or killed!

- ▶ The turntable may not be turned during the assembly of the boom!

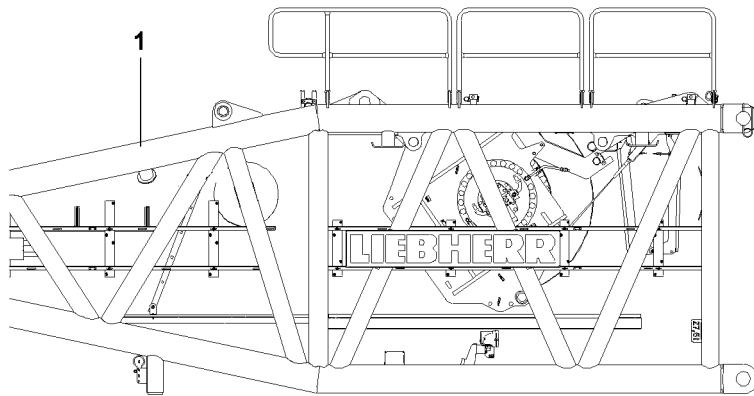


Fig.112776

2.1 Assembling the railing on the S-pivot section



WARNING

Danger of falling!

During assembly and disassembly of the railings, personnel must be secured with appropriate aids to prevent them from falling (for example: with personal protective equipment)!

Even for assembly of protective devices there is a danger of falling!

Assembly personnel can fall and be severely injured or killed!

- ▶ For assembly and disassembly work, maintenance and inspection work on the S-pivot section, all railings and the assembly platform must be assembled and secured!
- ▶ Only step on S-pivot section with „clean shoes“!



Note

- ▶ See Crane operating instructions, chapter 2.06!
- ▶ Assemble the railings properly.

2.2 Assembling the catwalk / assembly platform on the S-pivot section



WARNING

Disassembled or incompletely assembled catwalk!

If the catwalk is not assembled or incompletely assembled when winch 5 is missing, then personnel can fall and be severely injured or killed!

- ▶ For non-assembled winch 5 on the S-pivot section: Assemble the catwalk!
- ▶ The catwalk may only be accessed when it is pinned and secured in operating position, check visually!



Note

- ▶ If winch 5 is installed in operating position on the S-pivot section, then the removed catwalk must be pinned and secured in transport position!

Make sure that the following prerequisites are met:

- The railings are pinned in operating position and secured.
- The assembly personnel is secured to prevent them from falling.

2.2.1 Assembling the catwalk / assembly platform in operating position

Make sure that the following prerequisite is met:

- The catwalk is in transport position.



Note

- ▶ For assembly of the catwalk / assembly platform, see Crane operating instructions, chapter 2.06!

2.2.2 Assembling the catwalk / assembly platform in transport position

Make sure that the following prerequisite is met:

- The catwalk is in operating position.



Note

- ▶ For disassembly of the catwalk / assembly platform, see Crane operating instructions, chapter 2.06!

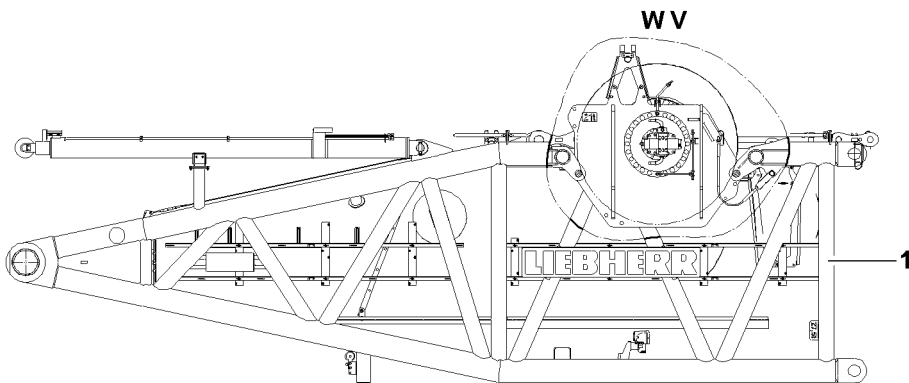
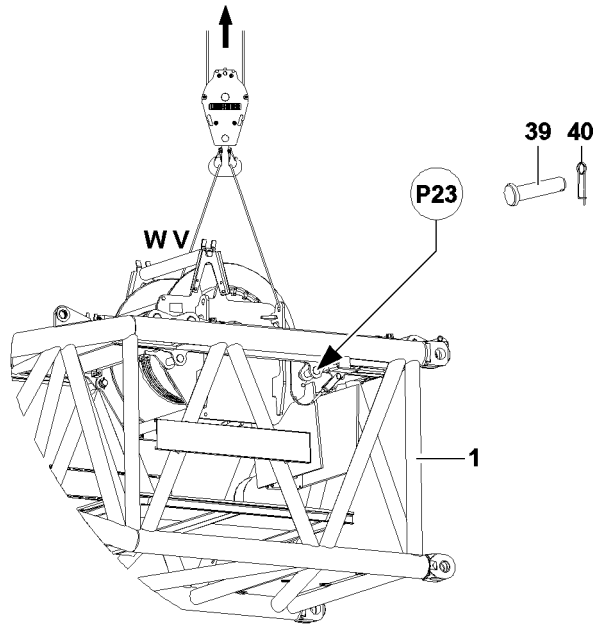
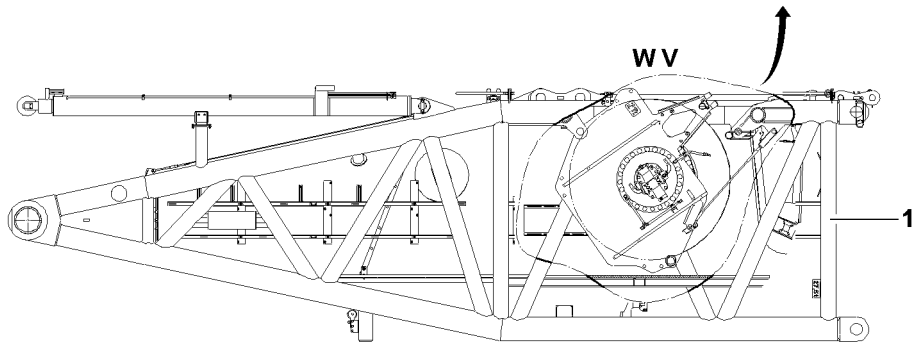


Fig.112777

LWE/LR 11350-005/19004-04-02/en

2.3 Assembling winch 5 on the S-pivot section

Make sure that the following prerequisite is met:

- The catwalk is in transport position.
- ▶ Attach winch 5 **W V** on the auxiliary crane.
- ▶ Bring winch 5 **W V** with the auxiliary crane into operating position.
- ▶ Pin winch 5 **W V** at point **P23** with pin **39** and secure with spring retainer **40**.

When winch 5 **W V** is pinned and secured:

- ▶ Remove the auxiliary crane.
- ▶ Establish the electrical connections from the terminal box in the S-pivot section to winch 5 **W V**.
- ▶ Establish the hydraulic connections to winch 5 **W V**.

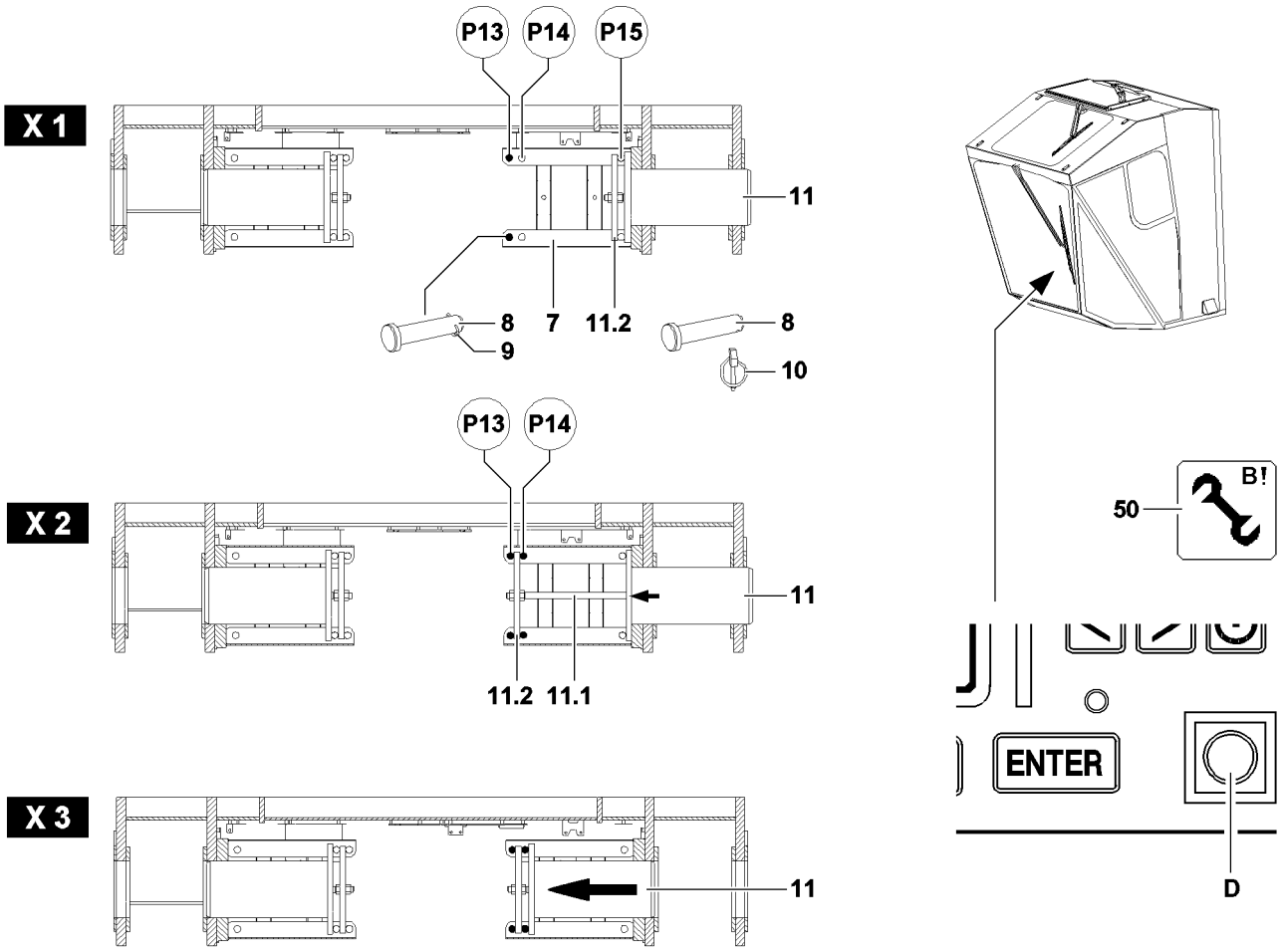
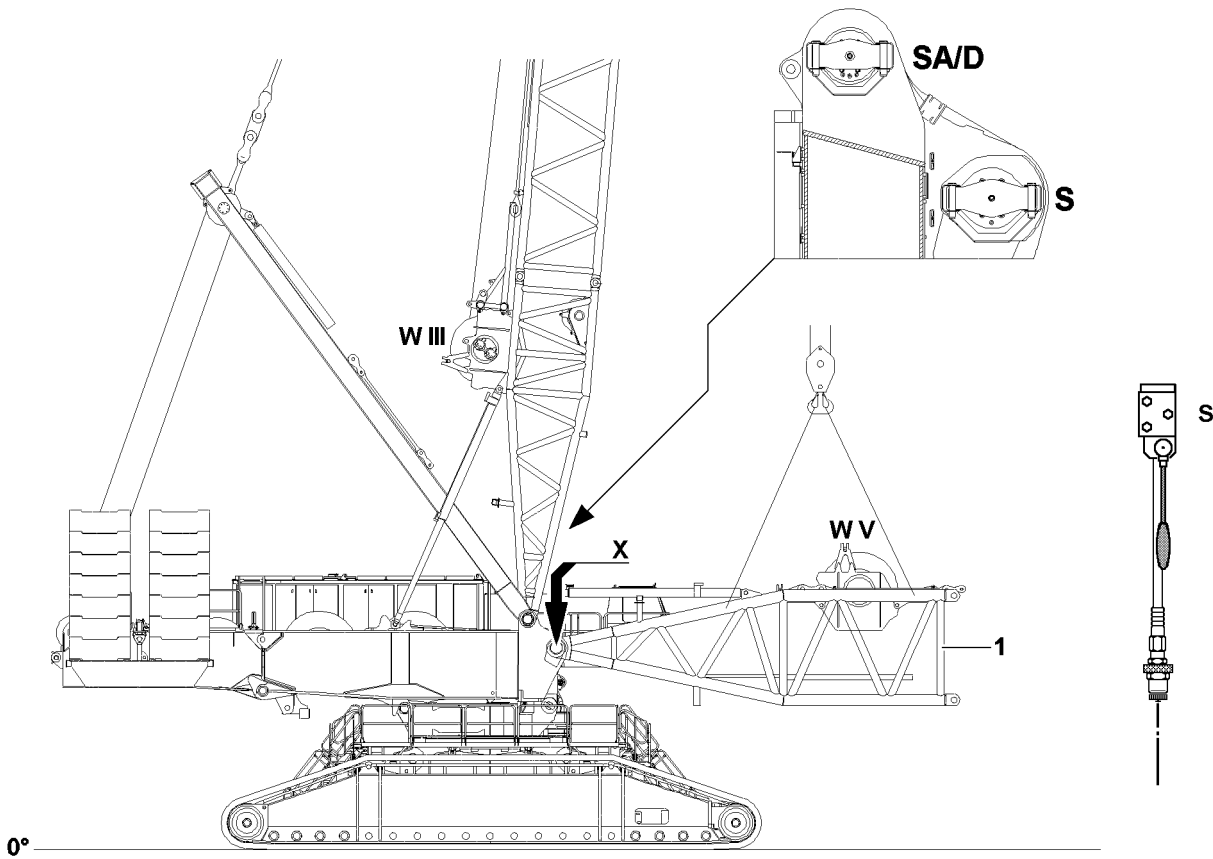


Fig.112763

LWE/LR 11350-005/19004-04-02/en

2.4 Assembling the SLD/SD-boom

Make sure that the following prerequisites are met:

- The crane is aligned in horizontal direction.
- An auxiliary crane is available.
- An assembly scaffolding / work platform is available.
- The counterweight has been installed on the turntable according to the load chart.
- The D-boom is completely assembled and erected on the turntable, see Crane operating instructions, chapter 5.05!
- The LICCON overload protection has been set according to the data in the load chart.

2.4.1 Turning the turntable into assembly position



WARNING

The crane can topple over!

If the following conditions are not met before turning the turntable - **without** installed main boom, the crane can topple over!

Personnel can be severely injured or killed!

- ▶ Observe the data in the erection and take down charts!



Note

- ▶ If the turntable is turned to the side for the assembly of the boom, then boom and lattice sections must be supported, depending on the ground condition!

- ▶ Turn the turntable into assembly position, see „Erection and take down charts“.

2.4.2 Deactivating the LICCON overload protection for assembly



WARNING

Assembly with turned on set up key!

When the set up key is engaged, the LICCON overload protection is deactivated!

In the event of deliberate improper use, the crane could collapse, the boom can break off or the crane can topple over!

Personnel can be severely injured or killed!

This could result in high property damage!

- ▶ The set up key **D** may only be actuated by persons who know the effects of a bypass!
- ▶ Press the set up key **D** only when the set up status was correctly entered into the LICCON computer system!
- ▶ Observe the erection / take down charts!
- ▶ Crane operation with the set up key **D** turned on is strictly prohibited!

- ▶ To activate assembly operation: Turn the set up key **D** to the right.

Result:

- The LICCON overload protection is deactivated.
- The assembly icon **50** appears in the LICCON monitor.

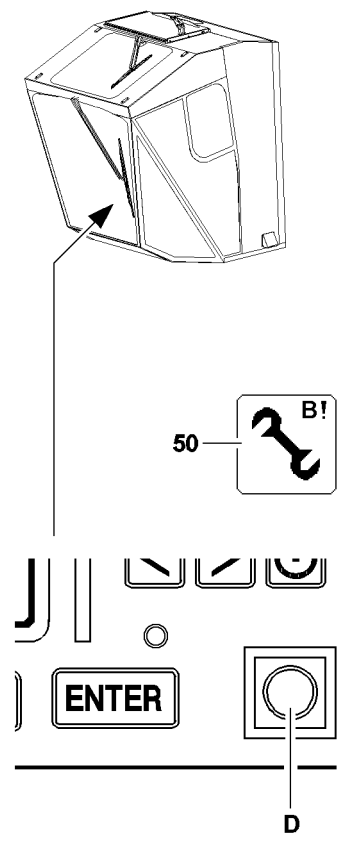
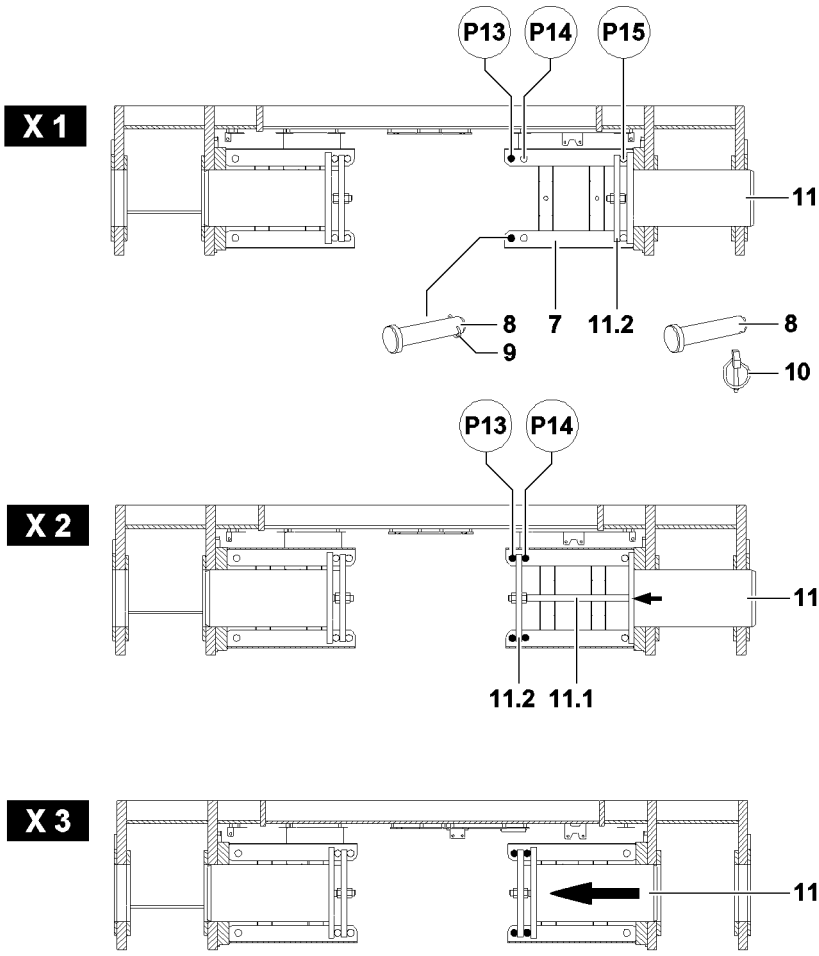
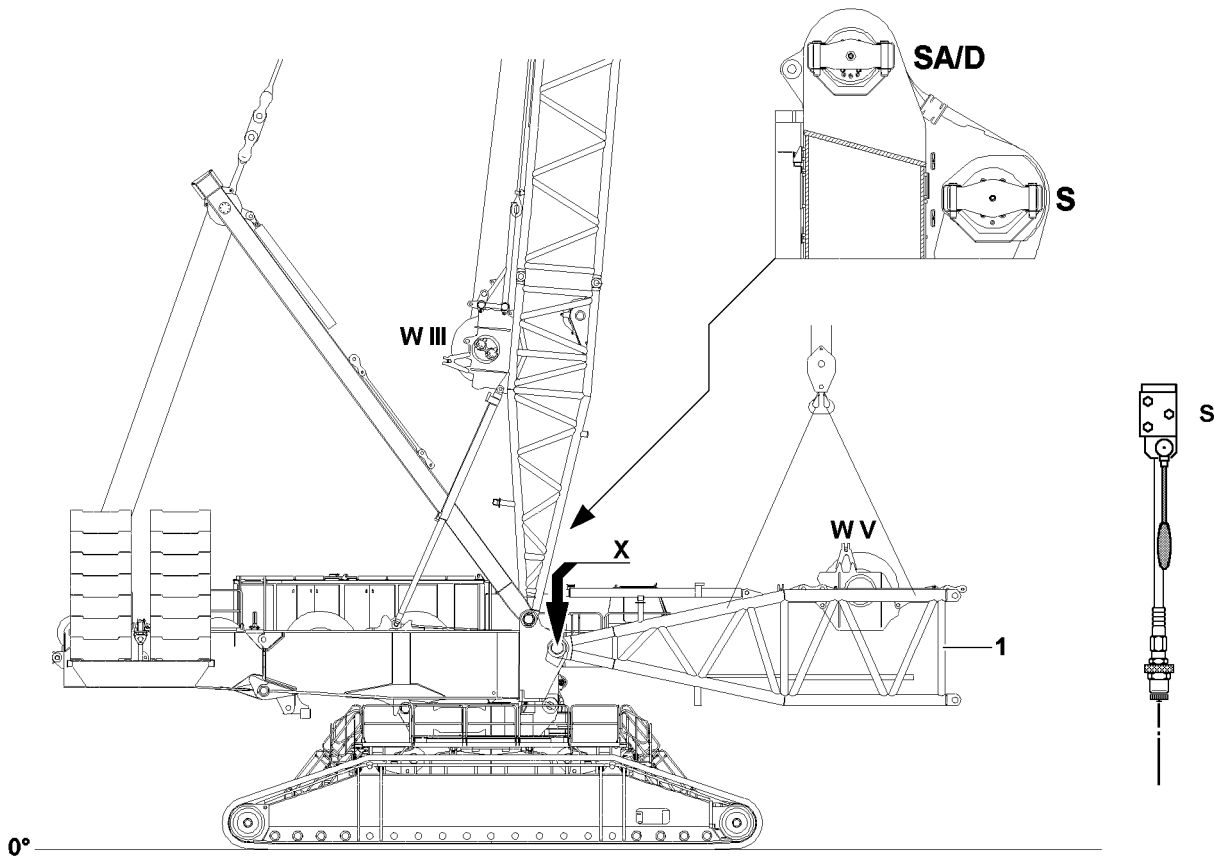


Fig.112763

LWE/LR 11350-005/19004-04-02/en

2.4.3 Pinning the S-pivot section on the turntable



Note

- ▶ For arrangement of intermediate sections of boom system, see Crane operating instructions, chapter 5.03!!



WARNING

General danger notes!

- ▶ Support the main boom during assembly with suitable materials!
- ▶ All pins are to be secured after assembly with the intended safety elements!
- ▶ The guy rods must be inspected regularly, see Crane operating instructions, chapter 8.15!

Make sure that the following prerequisite is met:

- The connector pins **11** on the turntable are unpinned.



Note

- ▶ Select the fastening points on the S-pivot section in such a way that the S-pivot section hangs horizontally on the auxiliary crane at assembly, see section „Fastening points“!

- ▶ Fasten the S-pivot section **1** on the fastening points **P1** and the fastening points **P2** on the auxiliary crane and swing in to the pin points on the turntable.

or

- ▶ Fasten the S-pivot section **1** on the fastening points **P1** and the fastening points **P3** on the auxiliary crane and swing in to the pin points on the turntable.



WARNING

Falling S-pivot section!

Due to non-secured or insufficiently secured connector pins, the S-pivot section can fall down!

Personnel can be severely injured or killed!

- ▶ Secure the connector pins **11** between the S-pivot section **1** and the turntable after the pinning procedure with the stop pins!

- ▶ Pin the S-pivot section **1** on the turntable, see Crane operating instructions, chapter 5.38.

NOTICE

Damage to the S-pivot section!

When the installed S-pivot section is placed on the ground, the S-pivot section can be damaged!

- ▶ Before placing the S-pivot section down on the ground, make sure that the S-pivot section cannot collide with the crane components during the take down procedure!
- ▶ Slowly place the S-pivot section **1** with the auxiliary crane and at low speed on the ground!
- ▶ Before placing it on the ground, support the S-pivot section **1**!

When the S-pivot section **1** is pinned and secured properly on the turntable:

- ▶ Carefully place the S-pivot section **1** with the auxiliary crane on the support.
- ▶ Remove the auxiliary crane.

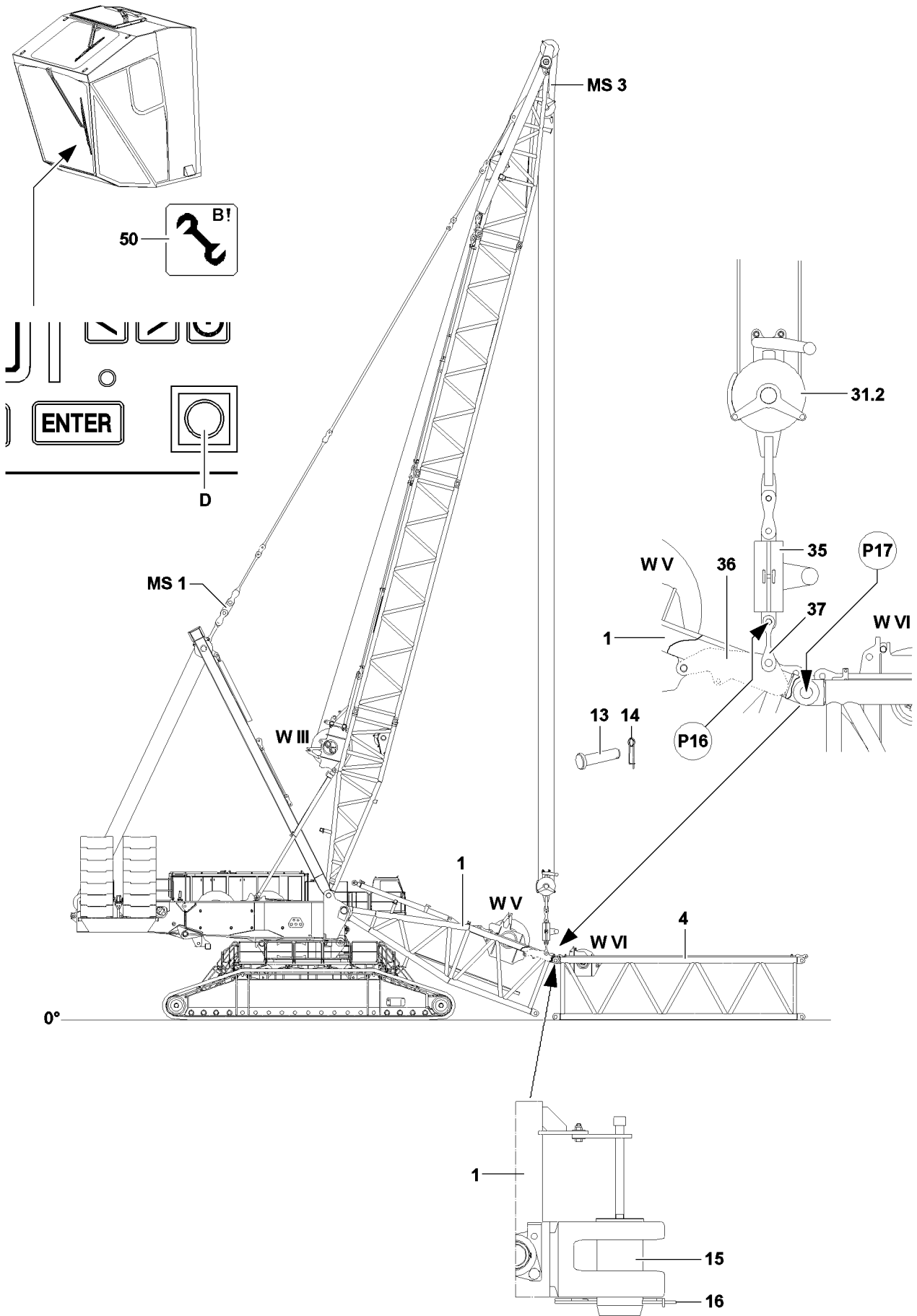


Fig.112764

LWE/LR 11350-005/19004-04-02/en

2.4.4 Pinning the upper pulley block on the S-pivot section

To be able to „close“ the S-boom combination after assembly, it is necessary to luff the D-boom down to the front and to lower and pin the upper pulley block to the brackets **37** on the S-pivot section **1**.

Make sure that the following prerequisites are met:

- The S-pivot section **1** is pinned and secured on the turntable.
 - The S-pivot section **1** is placed on the ground on the support base.
 - The auxiliary crane is removed.
 - The railings on the S-pivot section **1** are in operating position, see Crane operating instructions, chapter 2.06.
 - Winch 5 is installed in operating position.
 - The catwalk is in operating position (only if winch 5 is not present), see Crane operating instructions, chapter 2.06.
- ▶ Luff the D-boom down to the front until the upper pulley block **31.2** hangs freely with the assembly weight **35** over the bracket **37** on the S-pivot section **1**.

Pin the assembly weight **35** on the bracket **37** at point **P16**.

- ▶ Insert the pin **13** on both sides at point **P16** and secure with spring retainer **14**.
- ▶ Carefully spool up winch 3 **W III** until the control rope of winch 3 **W III** is slightly tensioned.

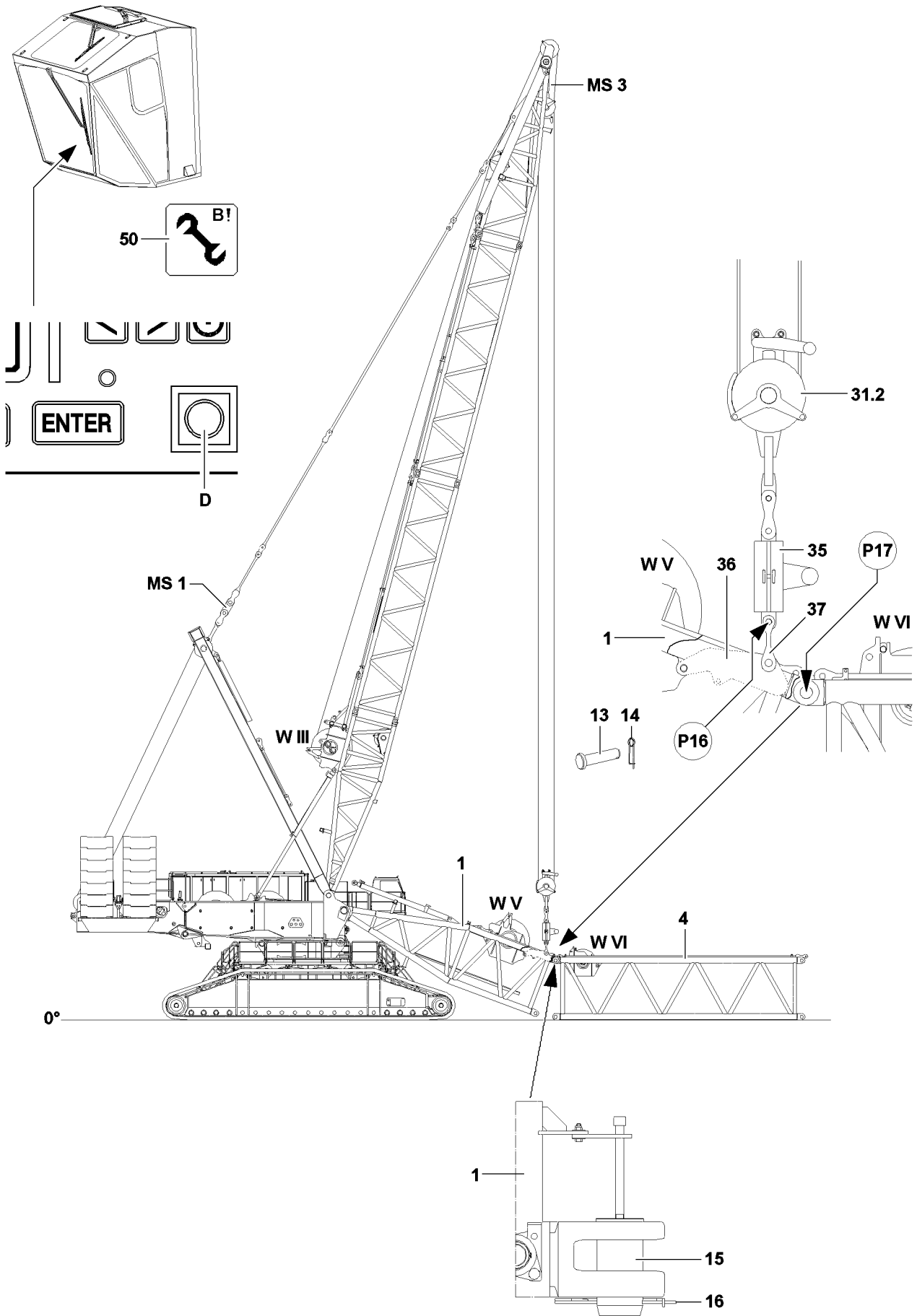


Fig.112764

LWE/LR 11350-005/19004-04-02/en

2.4.5 Assembling the S-intermediate sections on the S-pivot section



Note

- ▶ If the crane is operated with a boom nose after boom assembly, then the S-intermediate section for winch 6 must be installed directly connecting to the S-pivot section.

Make sure that the following prerequisites are met:

- The S-pivot section **1** is pinned and secured on the turntable.
- The S-pivot section **1** is placed on the ground on the support base.
- The upper pulley block **31.2** is pinned and secured with the bracket **37** on the guy point **P16**.
- The auxiliary crane is removed.



Note

- ▶ The S-intermediate sections are pinned with the pin pulling device, see Crane operating instructions, chapter 5.30!
- ▶ Support the S-intermediate sections from below for easier assembly / disassembly!



WARNING

General danger notes!

- ▶ All pins are to be secured after assembly of the S-intermediate sections with the intended safety elements!

Pin the S-intermediate section **4** on the S-pivot section **1** at point **P17**.

- ▶ Attach the S-intermediate section **4** on the auxiliary crane and align on the S-pivot section **1**, see section „Fastening points of the S-lattice sections“.

When the pin bores on the S-pivot section **1** and on the S-intermediate section **4** „on top“ (point **P17**) align:

- ▶ Insert the pin **15** with the pin pulling device from the inside to the outside and secure with spring retainer **16**.

Assemble the main boom to the required length and pin and secure the S-intermediate sections „on top“ and „bottom“.

- ▶ Insert the pin **15** from the inside to the outside and secure with spring retainer **16**.



WARNING

The crane can topple over!

If the following conditions are not met, the crane can topple over or be significantly damaged!

Personnel can be severely injured or killed!

- ▶ The maximum permissible total force on test point 1 **MS 1** may not exceed 136 t during the „closing procedure“.
- ▶ The maximum permissible total force on test point 3 **MS 3** may not exceed 150 t during the „closing procedure“.
- ▶ Non-required guy rods must be removed from the lattice sections, see Crane operating instructions, chapter 5.01!
- ▶ The end section of the corresponding SL/S-boom combination may **not** lift off the ground during the „Closing procedure“!



Note

- ▶ The actual forces on test point 1 **MS 1** and test point 3 **MS 3** are shown on LICCON monitor 1.

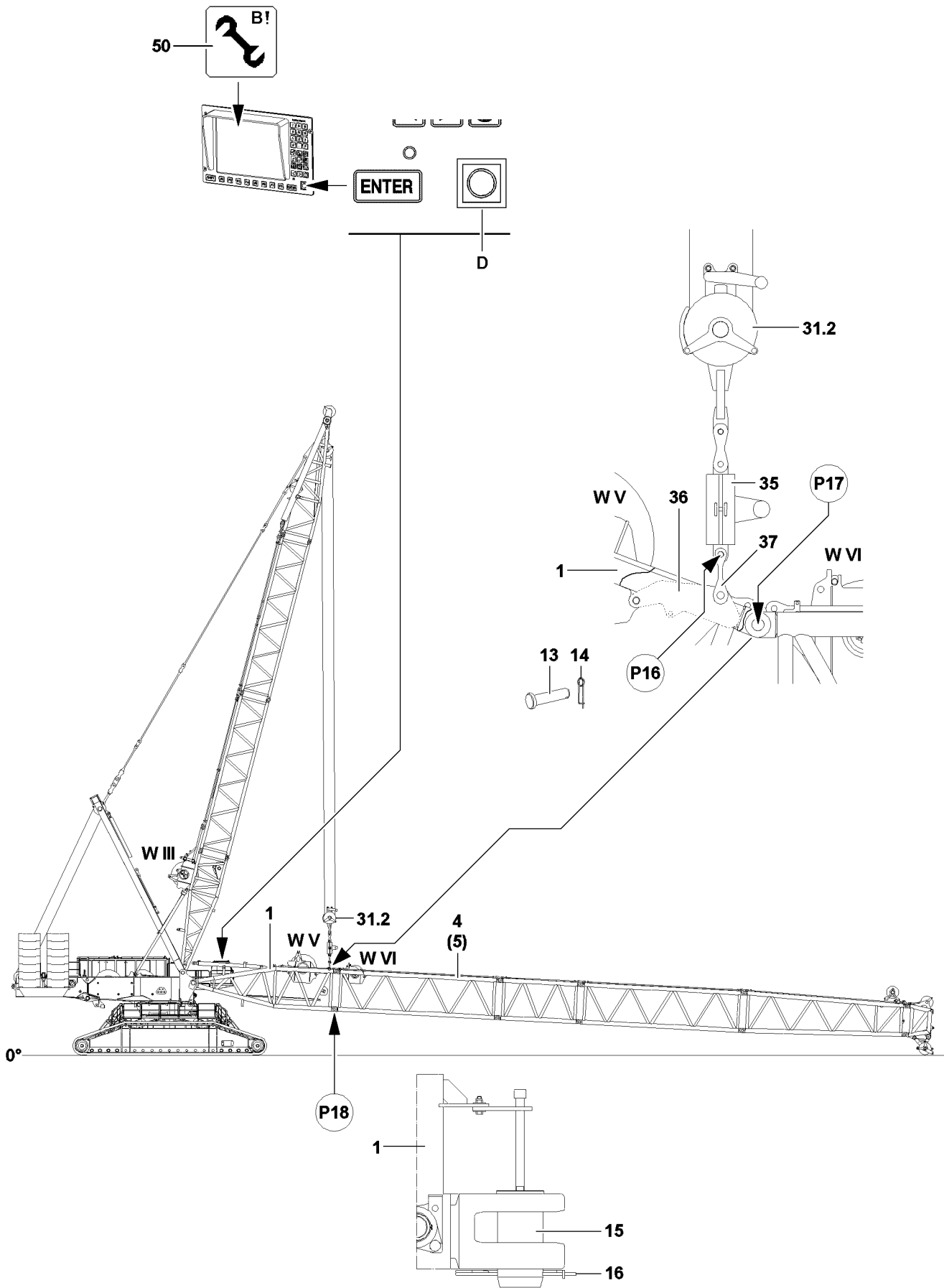


Fig.112765

LWE/LR 11350-005/19004-04-02/en

When the SL/S-boom combination is assembled to the desired length:

- ▶ Lift the S-pivot section **1** with the upper pulley block **31.2** until the pin bores on the „bottom“ align at point **P18**.
- ▶ Insert the pin **15** from the inside to the outside and secure with spring retainer **16**.



WARNING

Mortal danger due to folding down of boom!

By unpinning the assembly weight **35** on the bracket **37** on the S-pivot section **1**, the boom can suddenly fold down if the boom is not pinned at point **P18** „on the bottom“!

Personnel can be severely injured or killed!

- ▶ It is prohibited for anyone to remain under the raised boom combination during the pinning / unpinning procedure!
- ▶ Unpin the assembly weight **35** on the bracket **37** only when it is ensured that the S-pivot section **1** is safely pinned and secured on the „bottom“ with the S-intermediate section **4**!

When the S-boom system is „closed“:

- ▶ Slowly lower the upper pulley block **31.2** until the brackets **37** are relieved.
- ▶ Unpin the brackets **37** assembly weight **35** on both sides at point **P16**: Release and unpin the pin **13**.

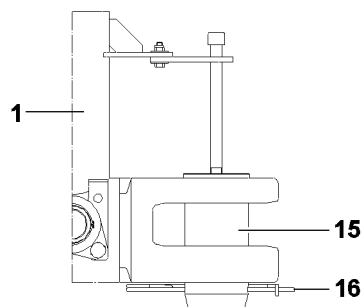
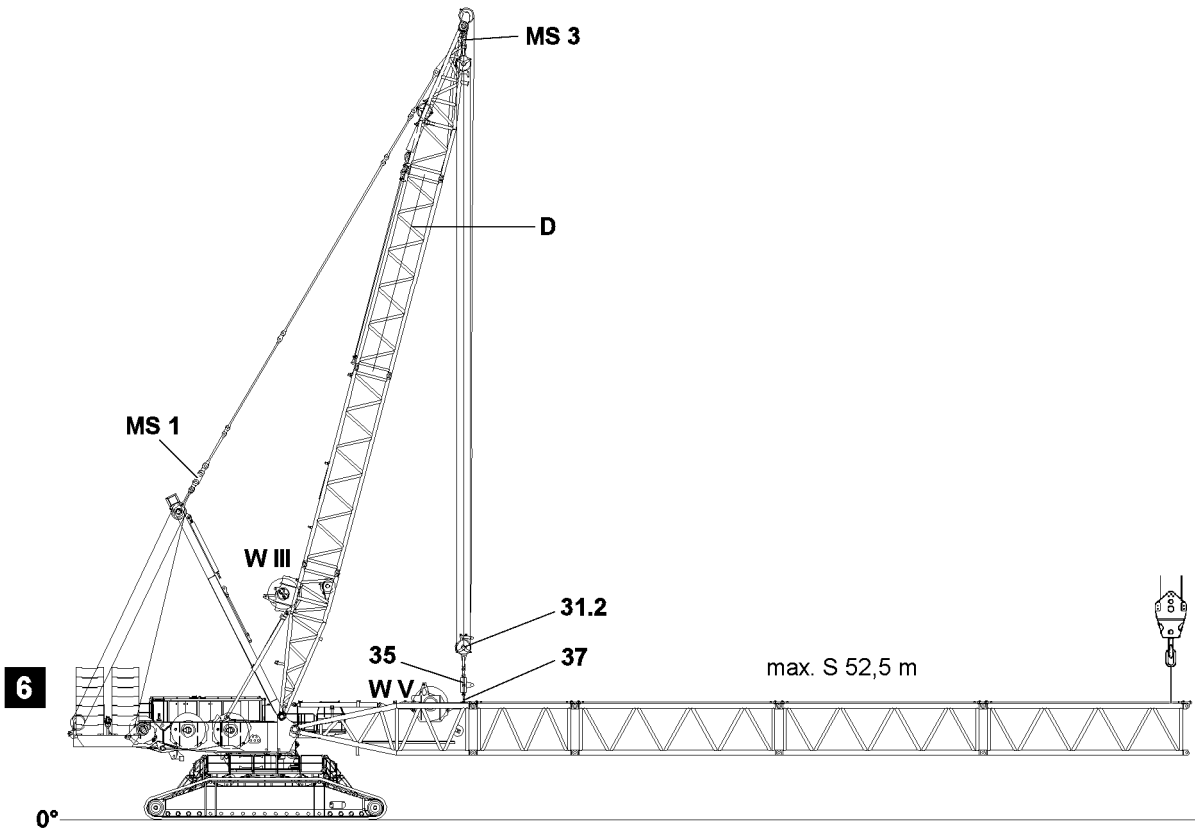


Fig.112766

LWE/LR 11350-005/19004-04-02/en

2.5 Assembling the SLD/SD-boom in flying mode

If spatial prerequisites on the job site are limited for the assembly of the SL/S-boom, or if they are limited by buildings or similar, then the boom can be assembled in flying mode.



Note

- ▶ Weights of the individual lattice sections, see Crane operating instructions, chapter 1.03.
- ▶ For arrangement of intermediate sections of boom system, see Crane operating instructions, chapter 5.03!!

Make sure that the following prerequisites are met:

- The crane is aligned in horizontal direction.
- An assembly scaffolding / work platform is available.
- The LICCON overload protection has been set according to the data in the load chart.

2.5.1 Maximum permissible boom length - illustration 6



DANGER

General danger notes!

- ▶ Support the main boom during assembly and disassembly with suitable materials!
- ▶ All pins are to be secured after assembly with the intended safety elements!
- ▶ The guy rods must be inspected regularly, see Crane operating instructions, chapter 8.15.



DANGER

Damage to crane!

If the following conditions are not met, the crane can topple over or be significantly damaged! Personnel can be severely injured or killed!

- ▶ Do not exceed the maximum permissible total force on test point 1 **MS1**.
- ▶ Do not exceed the maximum permissible total force on test point 3 **MS3**.
- ▶ A minimum counterweight must be installed on the turntable.
- ▶ For the flying S-boom assembly, do not exceed the maximum permissible boom length.

Maximum permissible system length at maximum permissible total forces on test points:				
Permissible total force test point MS1 of 195 t.				
Permissible total force test point MS3 of 200 t.				
Boom system	Maximum permissible system length	Equipment	DB _{min} ¹⁾	Illustration
S(D)	52.5 m	- without end section - with S- and WA-frame 2 guy rods	200 t	6

1) This counterweight must be at least installed on the turntable for „Flying assembly“.

- ▶ Observe and adhere to the data in the chart overview.

LWE/LR 11350-005/19004-04-02/en

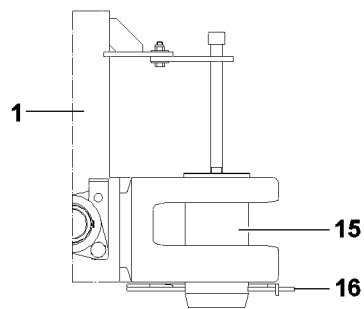
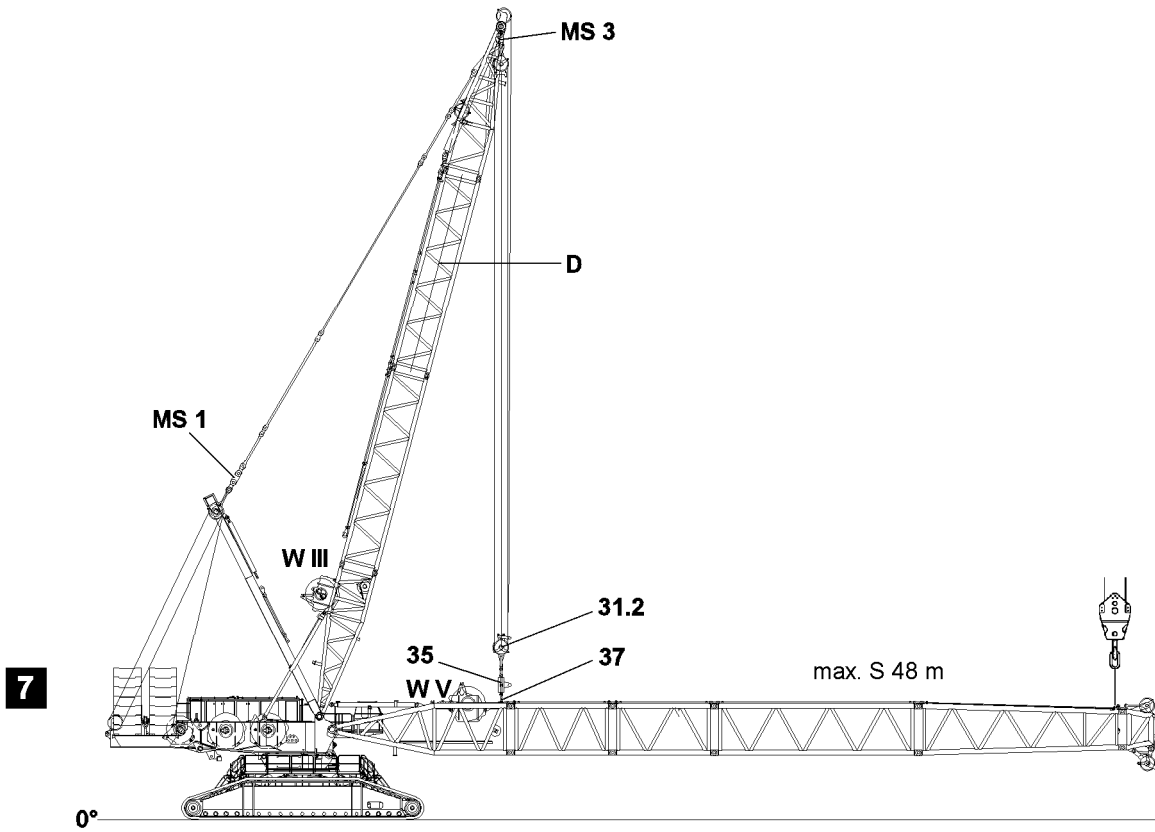


Fig.112767

2.5.2 Maximum permissible boom length - illustration 7



DANGER

General danger notes!

- ▶ Support the main boom during assembly and disassembly with suitable materials!
- ▶ All pins are to be secured after assembly with the intended safety elements!
- ▶ The guy rods must be inspected regularly, see Crane operating instructions, chapter 8.15.



DANGER

Damage to crane!

If the following conditions are not met, the crane can topple over or be significantly damaged!
Personnel can be severely injured or killed!

- ▶ Do not exceed the maximum permissible total force on test point 1 **MS1**.
- ▶ Do not exceed the maximum permissible total force on test point 3 **MS3**.
- ▶ A minimum counterweight must be installed on the turntable.
- ▶ For the flying main boom assembly, do not exceed the maximum permissible boom length.

Maximum permissible system length at maximum permissible total forces on test points:				
Permissible total force test point MS1 of 270 t.				
Permissible total force test point MS3 of 280 t.				
Boom system	Maximum permissible system length	Equipment	DB _{min} ¹⁾	Illustration
S(D)	48.0 m	- with end section - without hook block - with S- and WA-frame 2 guy rods	200 t	7

1) This counterweight must be at least installed on the turntable for „Flying assembly“.

- ▶ Observe and adhere to the data in the chart overview.

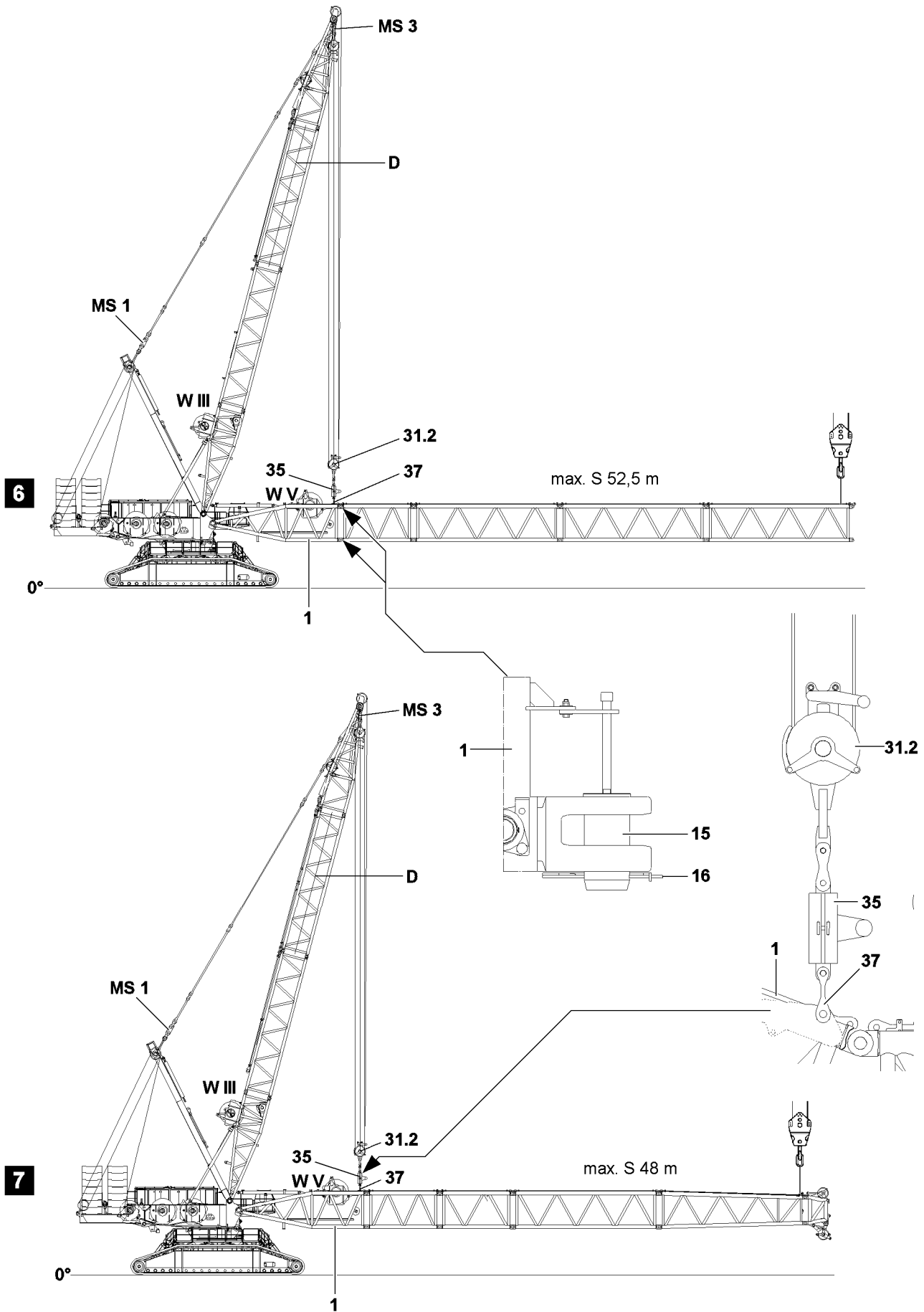


Fig.112769

LWE/LR 11350-005/19004-04-02/en

2.5.3 Assembling the S-intermediate sections in flying mode on the S-pivot section

In „Flying mode“ assembly, the intermediate sections can be pinned and secured with the auxiliary crane individually or as a preassembled unit on the S-pivot section.



WARNING

Impermissible boom lengths!

If impermissible boom lengths are assembled on the crane, significant property damage can occur on the crane!

Personnel can be severely injured or killed!

- ▶ The maximum permissible boom lengths for the „Flying assembly“ may not be exceeded!
- ▶ The data in the erection and take down charts as well as the load charts must be observed!

Make sure that the following prerequisites are met:

- The S-pivot section is pinned and secured on the turntable.
- The S-pivot section is horizontally tensioned.
- The counterweight is placed according to the specifications.
- An auxiliary crane is available.



WARNING

Falling components!

If unsecured or non-supported components are installed or removed, they can fall down!

Personnel can be severely injured or killed!

- ▶ During pinning and unpinning of the intermediate sections, it is prohibited for anyone to remain **under** or **on** the components as well as within the entire danger zone!
 - ▶ Before unpinning: Support crane components and boom!
 - ▶ Secure the pins in the bearing points and in the receptacles!
 - ▶ It is prohibited to lean a ladder against the crane section which is being disassembled!
-
- ▶ Attach the S-intermediate sections or preassembled boom unit on the auxiliary crane.
 - ▶ Lift the S-intermediate sections or the preassembled boom unit with the auxiliary crane and position on the S-pivot section **1**.

When the pin points between the S-pivot section **1** and the S-intermediate section **or** the S-pivot section **1** and pre-assembled boom unit align on „top“ and „bottom“:

- ▶ Insert the pins **15** „on top“ and „bottom“ and secure with spring retainer **16**.

When the pins between the S-pivot section **1** and the S-intermediate section **or** the S-pivot section **1** and pre-assembled boom unit are properly pinned and secured „top“ and „bottom“:

- ▶ Lower the boom on the support base.
- ▶ Remove the auxiliary crane.

When the boom is safely placed on the support or held by an auxiliary crane:

- ▶ Slowly lower the upper pulley block **31.2** until the brackets **37** are relieved.
- ▶ Release and unpin the brackets **37** on the assembly weight **35**.



Note

- ▶ Assembly of guy rods, see section „Assembling the guy rods“!

Fig.195219

LWE/LR 11350-005/19004-04-02/en

2.6 Establishing the electrical connections

NOTICE

Damage to the electrical connection on the cable drum!

If the electrical connection from the cable drum on the S-pivot section to the terminal box on the S-pivot section is established first before the connection to the terminal box on the S-end section, the electrical connection can be damaged when spooling out the cable drum!

- ▶ Establish first the electrical connection from the cable drum in the S-pivot section to the terminal box on the S-end section and then the electrical connection from the terminal box in the S-pivot section to the cable drum!



Note

- ▶ To establish the electrical connections on the main boom, use the Electric wiring diagram!

Make sure that the following prerequisites are met:

- The main boom is completely assembled.
- The airplane warning light and the wind speed sensor are assembled.
- ▶ Establish the electrical connections.
- ▶ Make sure that all electrical connections on the boom are established.

2.7 Establishing the hydraulic connections

When connecting and releasing hydraulic lines with quick couplings, make sure that the coupling procedure is carried out correctly.



DANGER

Danger of accident due to loss of pressure or leakage!

Incorrectly coupled or self-loosening quick-release couplings (particularly return lines) can result in serious accidents due to component failure!

- ▶ Check that the quick couplings have been properly connected before using the crane!



Note

- ▶ To connect or release the hydraulic lines with quick couplers, see Crane operating instructions, chapter 5.01!
- ▶ Release the pressure in the hydraulic system before connecting or disconnecting. Turn the engine off and wait for short time.
- ▶ Assembling coupling components (sleeve and connector) by using hand-tightened nut.
- ▶ Connect coupling components.

2.8 Function check



WARNING

Non-functioning safety devices!

If the function of the safety devices is defective, personnel can be severely injured or killed!

- ▶ Crane operation with non-functioning safety devices is **prohibited!**



Note

- ▶ The function of the individual limit switches must be checked before erection of the boom system!
- ▶ The function of the limit switch initiators must be checked in the test system, see Diagnostics manual!

**Note**

- ▶ If a function check on the limit switches or on the safety devices does not lead to the desired shut offs, then the plug connections on the connector boxes or the components itself must be checked. If no visible connection errors or component defects can be found, contact Liebherr Service!

Make sure that the following prerequisites are met:

- All electrical connections have been made.
- The crane engine is running.
- The corresponding operating mode is set on the LICCON monitor.
- The actuator levers of the limit switches have been checked for easy movement and are lubricated.

2.8.1 Wind speed sensor

- ▶ Test the movement and the function of the wind speed sensor.

2.8.2 Airplane warning light

- ▶ Turn the airplane warning light on, see Crane operating instructions, chapter 4.01.
- ▶ Check the function visually.

2.8.3 Hoist limit switch

- ▶ Actuate the hoist limit switch manually on the pulley head.

Result:

- The hoist winch turns off in upward movement.
- The hoist top icon on the LICCON monitor 0 blinks.

2.8.4 Checking the limit switch D-boom „Steepest position“

**Note**

- ▶ The limit switch functions have to be checked individually before erection!
- ▶ Cover the limit switch initiators on the D-relapse cylinders individually with a metal plate.

Result:

- The hoist limit switch is actuated manually.
- The spool up function of winch 4 (control winch) turns off.
- The icon „Boom limitation“ appears on the LICCON monitor 0.

2.8.5 Checking the limit switch main boom „steepest position“

**Note**

- ▶ The limit switch functions have to be checked individually before erection!
- ▶ Cover the limit switch initiators on the relapse cylinders of the main boom individually with a metal plate.

Result:

- The limit switch is actuated manually.
- The spool up function of winch 3 turns off.
- The icon „Boom limitation“ appears on the LICCON monitor 0.

Empty page!

LWE/LR 11350-005/19004-04-02/en

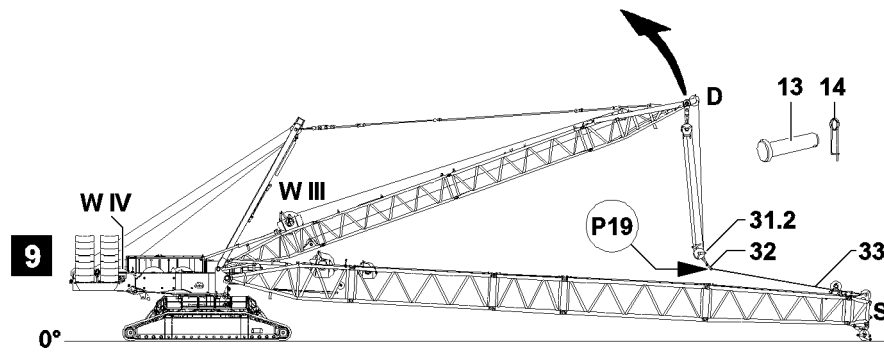
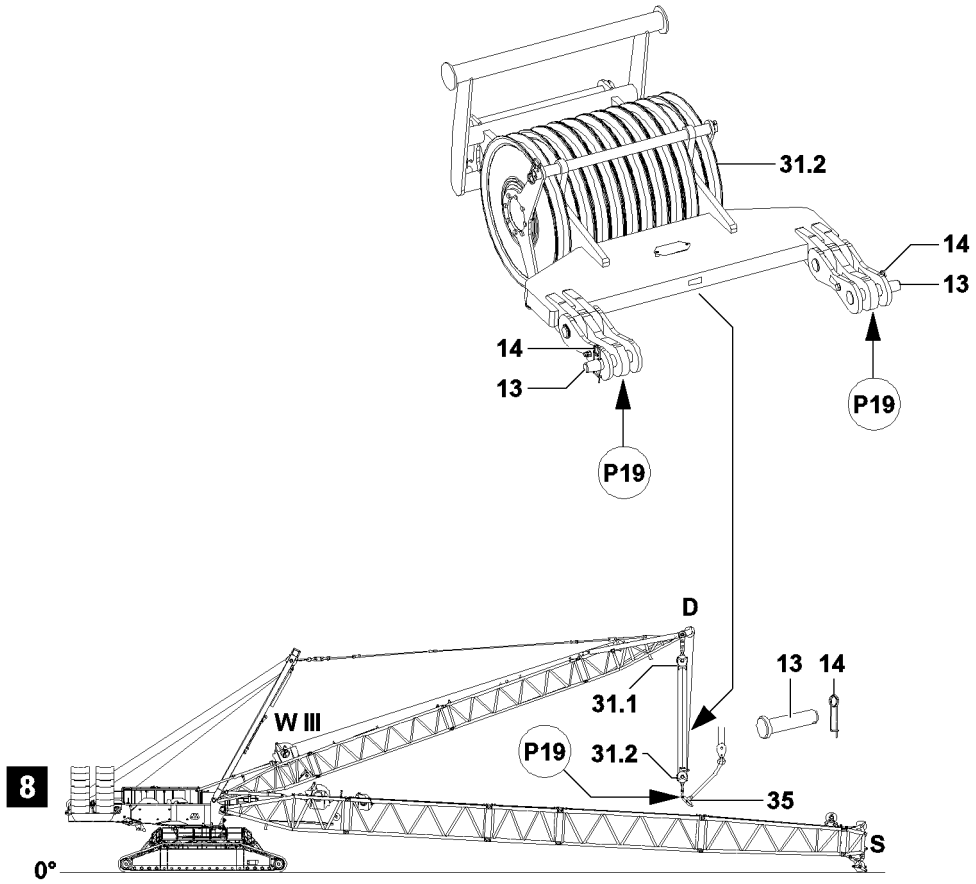


Fig.112771

LWE/LR 11350-005/19004-04-02/en

2.9 Assembling the guy rods



WARNING

Neglected inspection and maintenance on guy rods!

If the regular inspection and maintenance of the guy rods is not carried out or only in irregular intervals, then severe accidents can occur due to existing and not recognized damage on the guy rods! Personnel can be severely injured or killed!

- ▶ The guy rods must be checked before every assembly, see Crane operating instructions, chapter 8.15!



Note

- ▶ Assemble and secure the guy rods according to the supplied rod plans. The numbering on the rod plans must be identical to the numbering on the guy rods!

Make sure that the following prerequisites are met:

- The main boom is completely assembled.
- All lattice sections are properly pinned with each other.
- All pin connections have been secured.
- The upper pulley block **31.2** is unpinned on the S-pivot section **1**.

- ▶ Luff the D-boom down to the front.
- ▶ Lower the upper pulley block **31.2** to the boom: Spool out winch **3 W III**.
- ▶ Attach the assembly weight **35** onto the auxiliary crane.

When the assembly weight is safely held by the auxiliary crane:

- ▶ Release and unpin the assembly weight **35** on the upper pulley block **31.2** at point **P19**.
- ▶ Remove the assembly weight **35** with the auxiliary crane.

The guy rods are placed and secured for transport on the corresponding intermediate sections. Before assembly, the transport retainers must be released.

- ▶ Release the transport retainers on the guy rods.

NOTICE

Danger of property damage!

If the pins of the guy rods are not pinned from the „inside“ to the „outside“, the hoist rope can scrape on the pin and be damaged!

- ▶ Always insert the pins of the guy rods from the „inside“ to the „outside“!
- ▶ Pay attention to the Rod plan!



Note

- ▶ The guy rods of the S/L-intermediate sections are pinned and secured together starting from the brackets on the fixed point of the respective end section!

- ▶ Pin and secure the guy rods for the intermediate sections according to the Rod plan.
- ▶ Pin and secure the guy rods on the upper pulley block **31.2**.

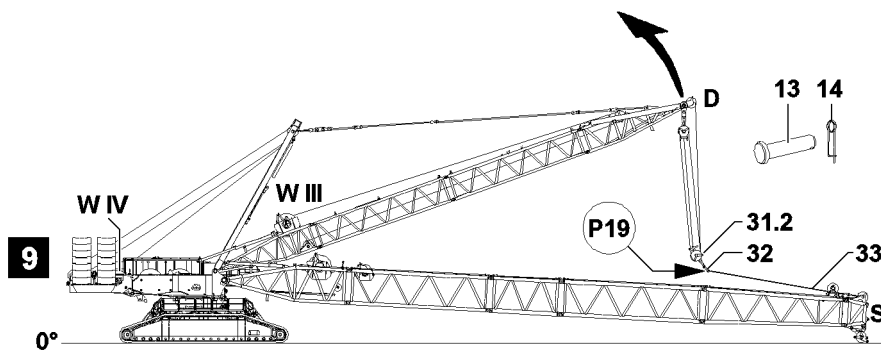
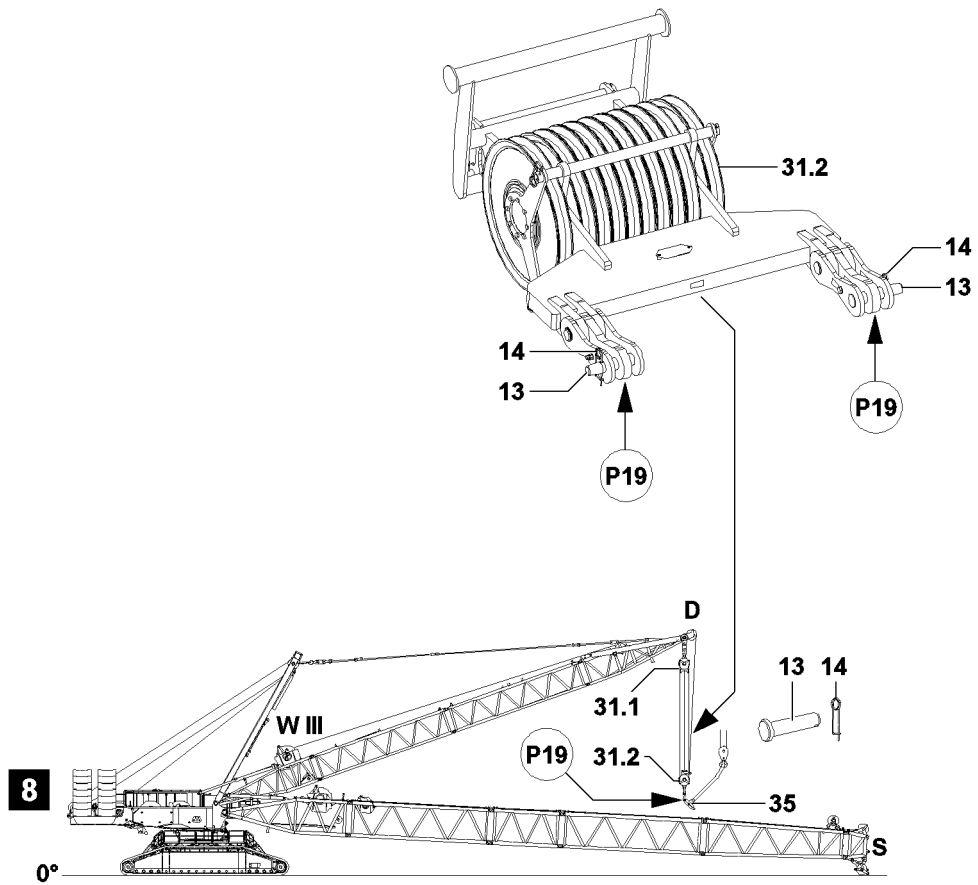


Fig.112771

LWE/LR 11350-005/19004-04-02/en

**WARNING**

Falling boom!

If the auxiliary guying is not assembled on the boom or not according to the specifications, then the boom can buckle downward, break off and fall down!

Personnel can be severely injured or killed!

- ▶ Make sure that the auxiliary guying is assembled correctly, see Rod plan and Crane operating instructions, chapter 5.03!

- ▶ Assemble the auxiliary guying as specified, if it is required for the boom combination to be set up.

**Note**

- ▶ The main boom must remain on the ground when erecting the D-boom and may **not** be pulled up along!

When the guy rods are pinned and secured with the upper pulley block **31.2**:

- ▶ Erect the D-boom to operating position and at the same time, spool out winch 3 **W III**.

When the D-boom has reached the operating position:

- ▶ Tension the guying between the D-boom and the boom head.

**WARNING**

The boom can suddenly fold down!

If the following notes are not observed, the boom can suddenly fold down when the auxiliary boom or the supporting base is removed!

Personnel can be severely injured or killed!

- ▶ Remove the auxiliary crane or the supporting base only if it is ensured that the D-boom is in operating position and the main boom is safely being held by the guying!

When the boom is safely held by the guying:

- ▶ Remove the auxiliary crane on the boom head.

or

Remove the support.

- ▶ Guide the hoist rope over the rope pulley(s) on the boom head, see Reeving plan.

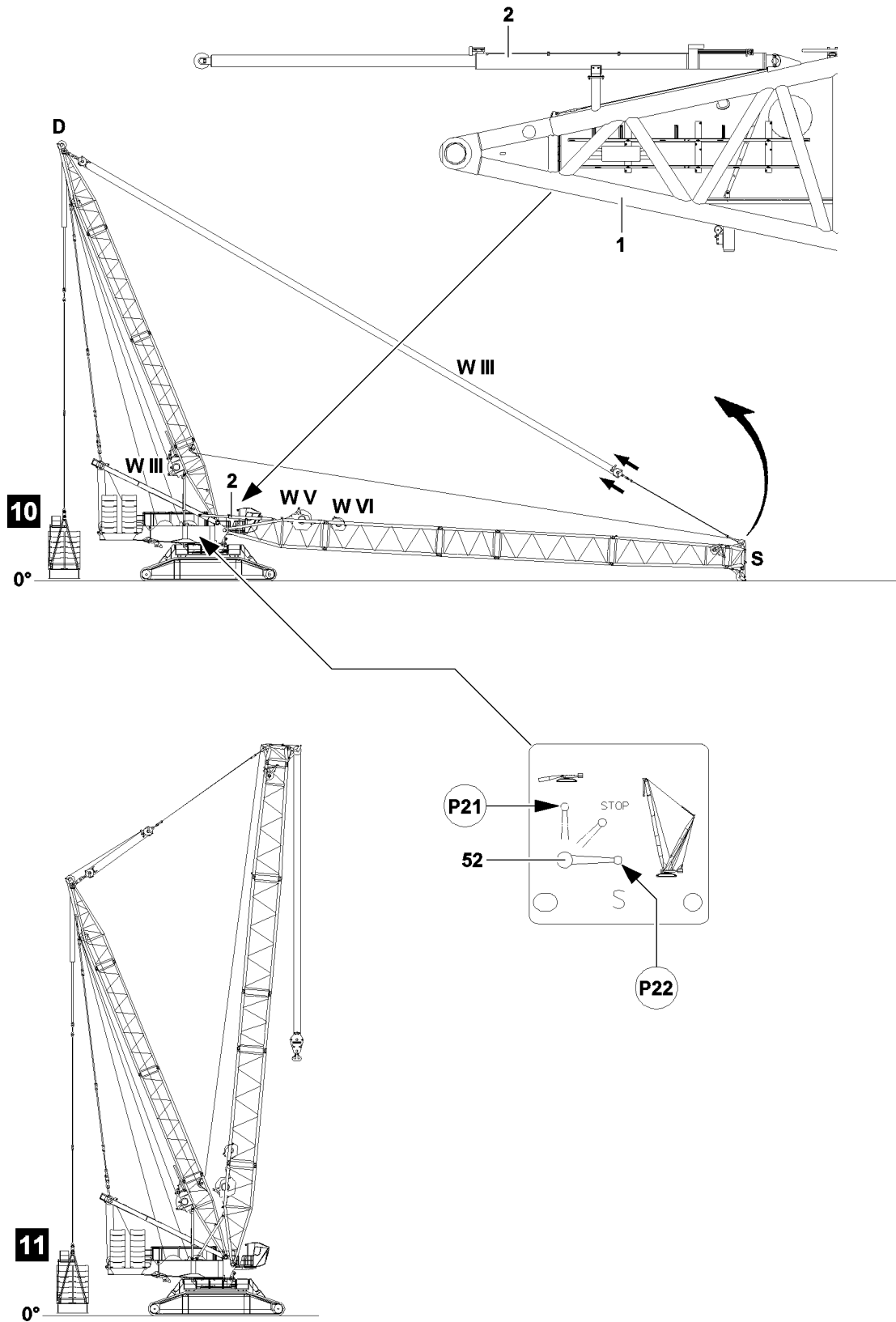


Fig.112772

2.10 Erecting the boom



WARNING

The crane can topple over!

In crane operation with deactivated LICCON overload protection, the crane can topple over!

Personnel can be severely injured or killed!

- ▶ The radii listed in the load chart may not be exceeded or fallen below, even if there is no load on the hook!

If required in the erection and take down chart:

- ▶ Carry the hook block along with the auxiliary crane!



WARNING

The crane can topple over!

If the following conditions are not met before erecting the boom, the crane can topple over!

Personnel can be severely injured or killed!

- ▶ Observe the safety technical notes, see Crane operating instructions, chapter 5.01!
- ▶ Extend the relapse retainer of the main boom before erecting the boom combination!
- ▶ Do not allow slack rope to form on the control winch!



WARNING

Falling hoist rope!

If the hoist rope is not reeved with the respective length on the main boom before the erection procedure, then it can fall down backward due to its own weight!

Personnel can be severely injured or killed!

- ▶ Reeve the hoist rope before the erection procedure with sufficient length on the main boom!
- ▶ The hoist rope must be constantly monitored during erection!
- ▶ Do not step into the danger zone!

Make sure that the following prerequisites are met:

- The crane is aligned in horizontal direction.
- All electrical connections have been made.
- All hydraulic connections have been made.
- All limit switches are functioning.
- The counterweight has been installed on the turntable according to the erection and take down chart.
- All pin connections have been secured.
- The hoist rope has been correctly placed in the rope pulleys and is prevented from jumping out with the rope retaining pins.
- Non-required guy rods are disassembled.
- There are no loose parts on the boom.
- The boom is free of snow and ice.
- The LICCON overload protection has been set according to the data in the load chart.
- The load weighing was carried out on the boom and the hook block weight has been entered on the LICCON monitor, see Crane operating instructions, chapter 4.02.
- The LICCON overload protection settings have been compared with the actual crane configuration.
- The LICCON overload protection is deactivated.
- The assembly icon is visible on the LICCON monitor.
- No personnel is within the danger zone.

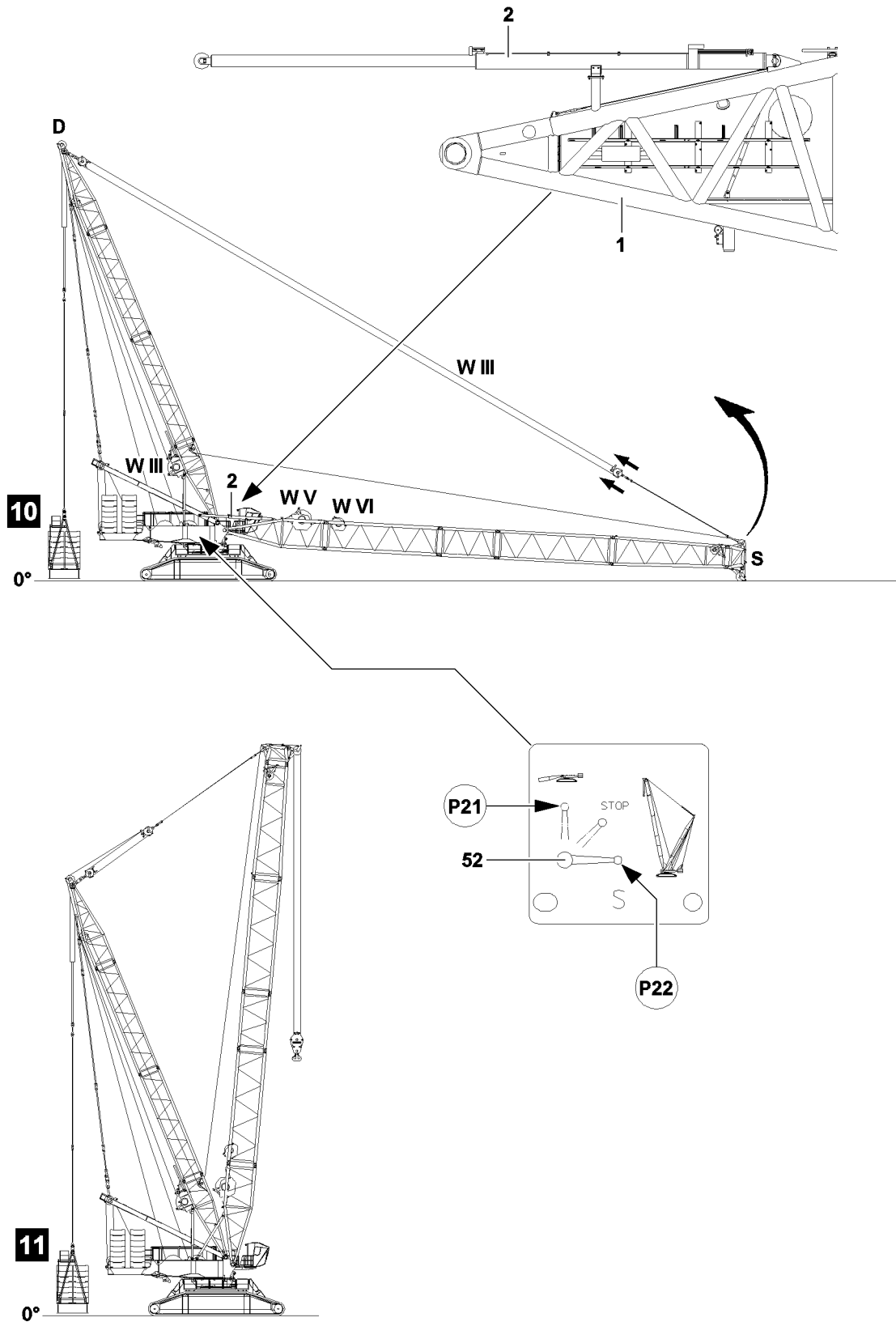


Fig.112772

2.10.1 Extending the relapse cylinders of the main boom



WARNING

The crane can topple over!

If the relapse cylinders for the main boom are not extended before erecting the boom, then the boom can fall to the rear during erection or in crane operation and the crane can topple over!

Personnel can be severely injured or killed!

- ▶ Extend the relapse retainer of the main boom before erecting the boom combination!
- ▶ Secure the ball valve **52** during crane operation to prevent inadvertent actuation!

Ball valve positions	
Position (P)	Function
22	Crane operation, extend the piston rod
21	Assembly, retract the piston rod
STOP	The piston rod cannot be retracted / extended

Make sure that the following prerequisite is met:

- All hydraulic connections have been made.

- ▶ Set the ball valve **52** to position **P22**.

Result:

- The piston rods of the relapse cylinders **2** of the main boom extend.



Note

- ▶ The ball valve **52** is secured by closing the cabinet door and removing the key!

When the piston rods of the relapse cylinders **2** of the main boom are fully extended:

- ▶ Close the cabinet door and pull the key.
- ▶ Hand the key to an authorized person.

2.10.2 Erection procedure



DANGER

The crane can topple over!

- ▶ It is prohibited to turn the crane superstructure while erecting the boom!
- ▶ Adhere to the data in the erection and take down charts!

Make sure that the following prerequisite is met:

- The load weighing was carried out on the boom and the hook block weight has been entered on the LICCON monitor, see Crane operating instructions, chapter 4.02.

Reeving in the hook block

- ▶ Erect the boom until the end section lifts off the ground.



WARNING

Falling hoist rope!

If the hoist rope is not reeved with the respective length on the main boom before the erection procedure, then it can fall down backward due to its own weight.

Personnel can be severely injured or killed!

- ▶ Reeve the hoist rope before the erection procedure with sufficient length on the main boom!
 - ▶ The hoist rope must be constantly monitored during erection!
 - ▶ Do not step into the danger zone!
-
- ▶ Reeve in the hoist rope properly and secure on the rope fixed point, for reeving, see Reeving plan.
 - ▶ Pin and secure the rope retainers on the rope pulleys.
 - ▶ Attach the hoist limit switch weight, see section Crane operating instructions, chapter 4.06.

Erecting the main boom



WARNING

The crane can topple over!

In crane operation with deactivated LICCON overload protection, the crane can topple over!

There is then no additional protection against crane overload!

Personnel can be severely injured or killed!

- ▶ The radii listed in the load chart may not be exceeded or fallen below, even if there is no load on the hook!
- ▶ Crane operation with deactivated LICCON overload protection is prohibited!



Note

- ▶ When the lowest operating position of the boom is reached, the LICCON overload protection is activated!
 - ▶ In the maximum load icon appears a load number in „t“ instead of the display „???“!
-
- ▶ Luff the boom up to the lowest operating position.

When the boom has reached the lowest operating position:

- ▶ Make sure that the assembly icon on the LICCON monitor turns off.

Result:

- The LICCON overload protection is active.

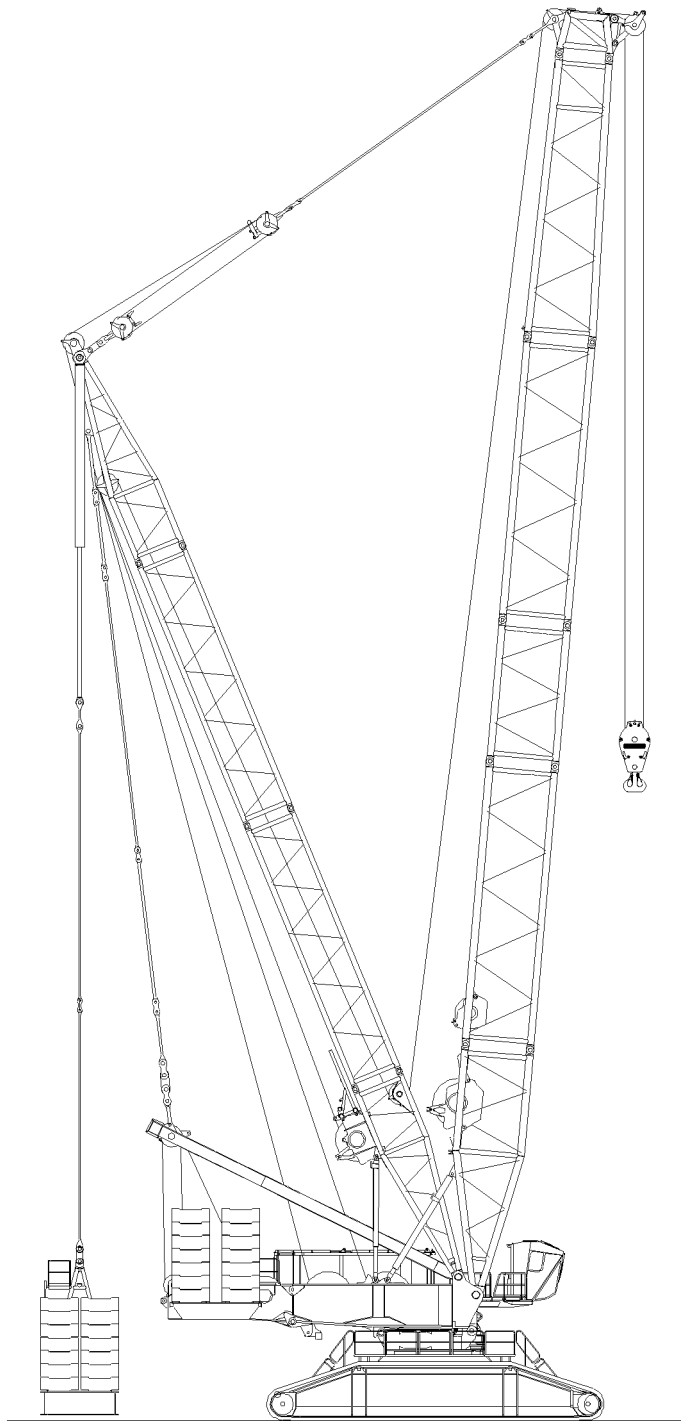


Fig.112774

LWE/LR 11350-005/19004-04-02/en

3 Operating the crane

3.1 Preparing for crane operation

**Note**

- ▶ Observe the notes, see Crane operating instructions, chapter 4.02, chapter 4.05, chapter 4.08 and chapter 5.01!

Make sure that the following prerequisites are met:

- The LICCON overload protection is active.
- The LICCON overload protection has been set according to the data in the load chart.

**WARNING**

The crane can topple over!

- ▶ Check the horizontal position of the crane before and during operation!
- ▶ If the crane operator leaves the cab, even for a short time, the operating mode setting must be checked and reset if necessary before resuming crane operation!

3.1.1 Checking the settings

- ▶ Check the function of the overload protection by running against the operating positions „on top“ and „bottom“.
- ▶ Check the hoist limit switch by running against the hoist limit switch weight.
- ▶ Check the function of the limit switches „Boom steep“ on the relapse cylinders.

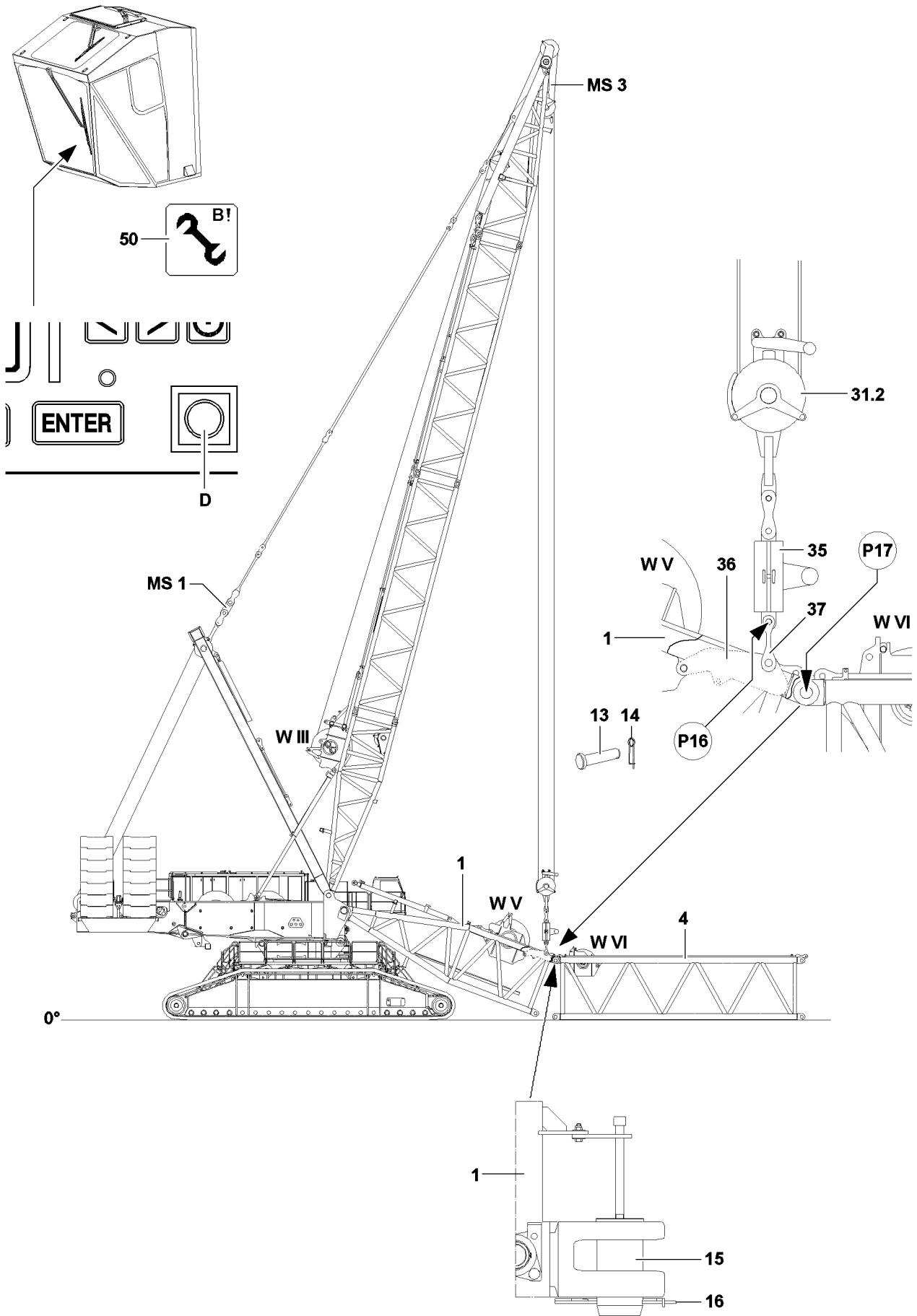


Fig.112764

LWE/LR 11350-005/19004-04-02/en

4 Disassembling the SLD/SD-boom



Note

- ▶ The disassembly is described on the example of the S-boom!



WARNING

Danger of falling!

During assembly and disassembly, assembly personnel must be secured with appropriate aids to prevent them from falling. If this is not observed, assembly personnel can fall and suffer life-threatening or fatal injuries!

- ▶ Any work, where there is a danger of falling must be carried out with suitable aids (for example: lifting platforms, scaffoldings, ladders, auxiliary crane)!
- ▶ If the work cannot be carried out with such aids nor from the ground, then the assembly personnel must secure themselves with approved catch systems to avoid falling, see Crane operating instructions chapter 2.04!
- ▶ If railings are present on the components, then they must be brought into the corresponding position and secured for assembly / disassembly.
- ▶ Step on aids and fall protection equipment only with clean shoes!
- ▶ Keep aids and fall protection equipment clean and free from snow and ice!
- ▶ During all assembly and disassembly work, maintenance work and inspections, travel or crane operation is prohibited!



WARNING

The lattice sections can fall down!

If the lattice sections are not pinned and secured correctly, then they can fall down and fatally injure personnel!

- ▶ Pin or unpin both pins at the same horizontal level, i.e. **left and right!**
- ▶ Do not stand under the lattice sections or within the entire danger zone during the pinning and unpinning procedure of the boom!
- ▶ Safely secure the pins in the bearing points as well as receptacles!
- ▶ It is prohibited to lean the ladder against the component being disassembled!



WARNING

Danger of impact / crushing!

When installing / removing crane components with the auxiliary crane, crane components can start to swing back and forth!

When lifting / lowering and positioning crane components, there is an increased danger of impacts / crushing!

Personnel can be severely injured or killed!

- ▶ Make sure that personnel cannot be caught by components!
- ▶ Make sure that the crane is horizontally aligned!
- ▶ When working in danger zones: Use aids to protect limbs!
- ▶ Guide components with suitable aids to minimize oscillation!

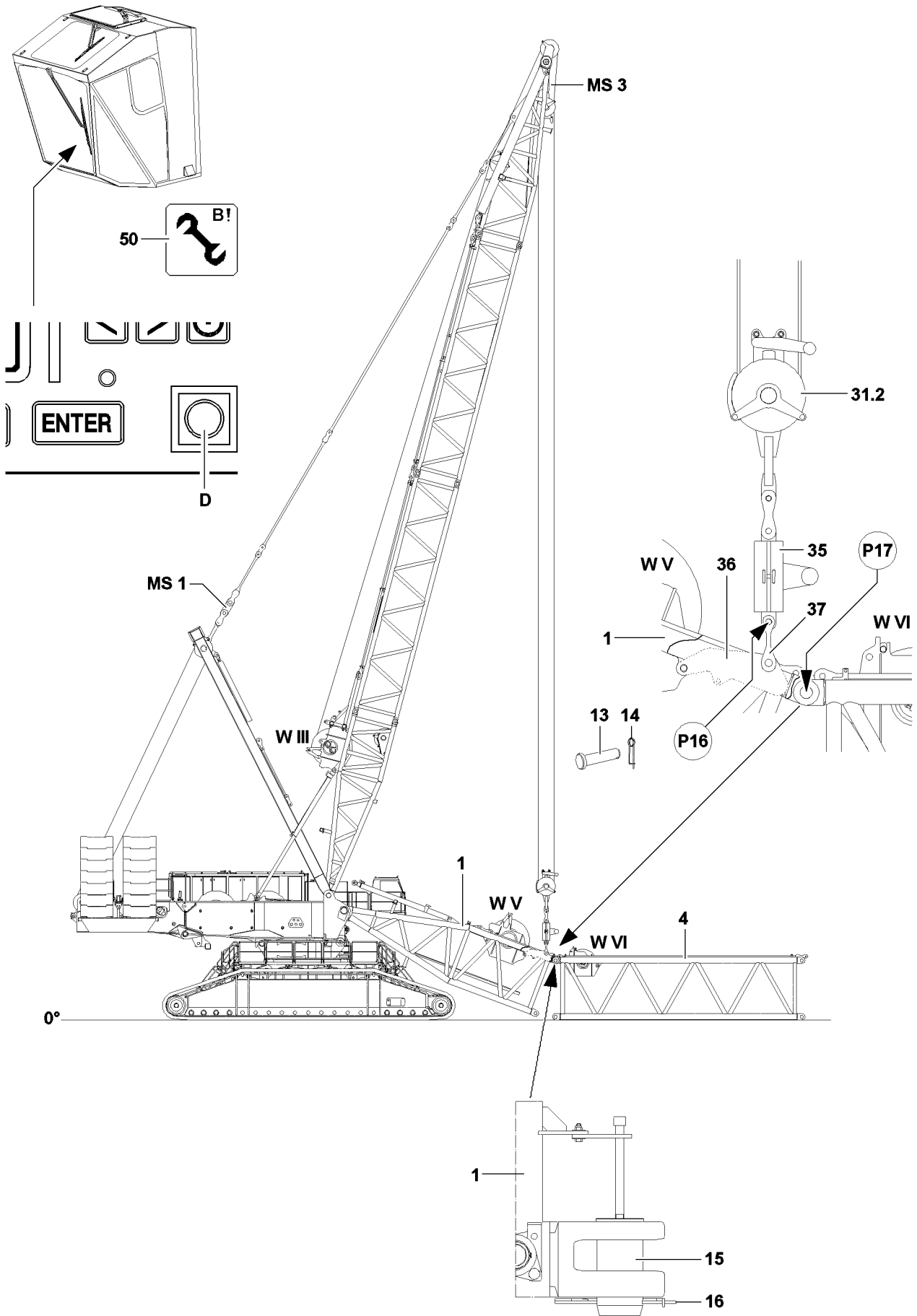


Fig.112764

LWE/LR 11350-005/19004-04-02/en

4.1 Turning the turntable into disassembly position



WARNING

The crane can topple over!

If the following conditions are not met before turning the turntable, then the crane can topple over!
Personnel can be severely injured or killed!

▶ Observe the data in the erection and take down charts!

▶ Turn the turntable into disassembly position, see „Erection and take down charts“.

4.2 Placing the main boom down



WARNING

The crane can topple over!

If the following conditions are not met before taking down the main boom, the crane can topple over!
Personnel can be severely injured or killed!

▶ Observe the safety technical notes, see Crane operating instructions, chapter 5.01!

▶ Observe the data in the erection and take down charts!

NOTICE

Damage of boom components!

Taking down the boom system can lead to a collision between the hook block and the pulley head!
The boom components can be severely damaged!

▶ Luff the boom system down at the same time and spool the hoist winch out!

▶ When luffing the boom system down, the D-boom must remain in operating position until the S-end section is laying on the ground or on a supporting base or it is safely held by an auxiliary crane!



Note

▶ The luff down movement is turned off as soon as the lowest operating position of the main boom is reached!

▶ When the lowest operating position of the main boom is reached, the load display in the maximum load icon turns off and instead of the load display appears the display „??“!

▶ In the crane operating screen appear alarm functions!

▶ Luff the boom down to the **lowest** operating position.

Result:

- The luff down movement is turned off.
- The „STOP“ icon appears on the LICCON monitor.
- The horn icon appears on the LICCON monitor.

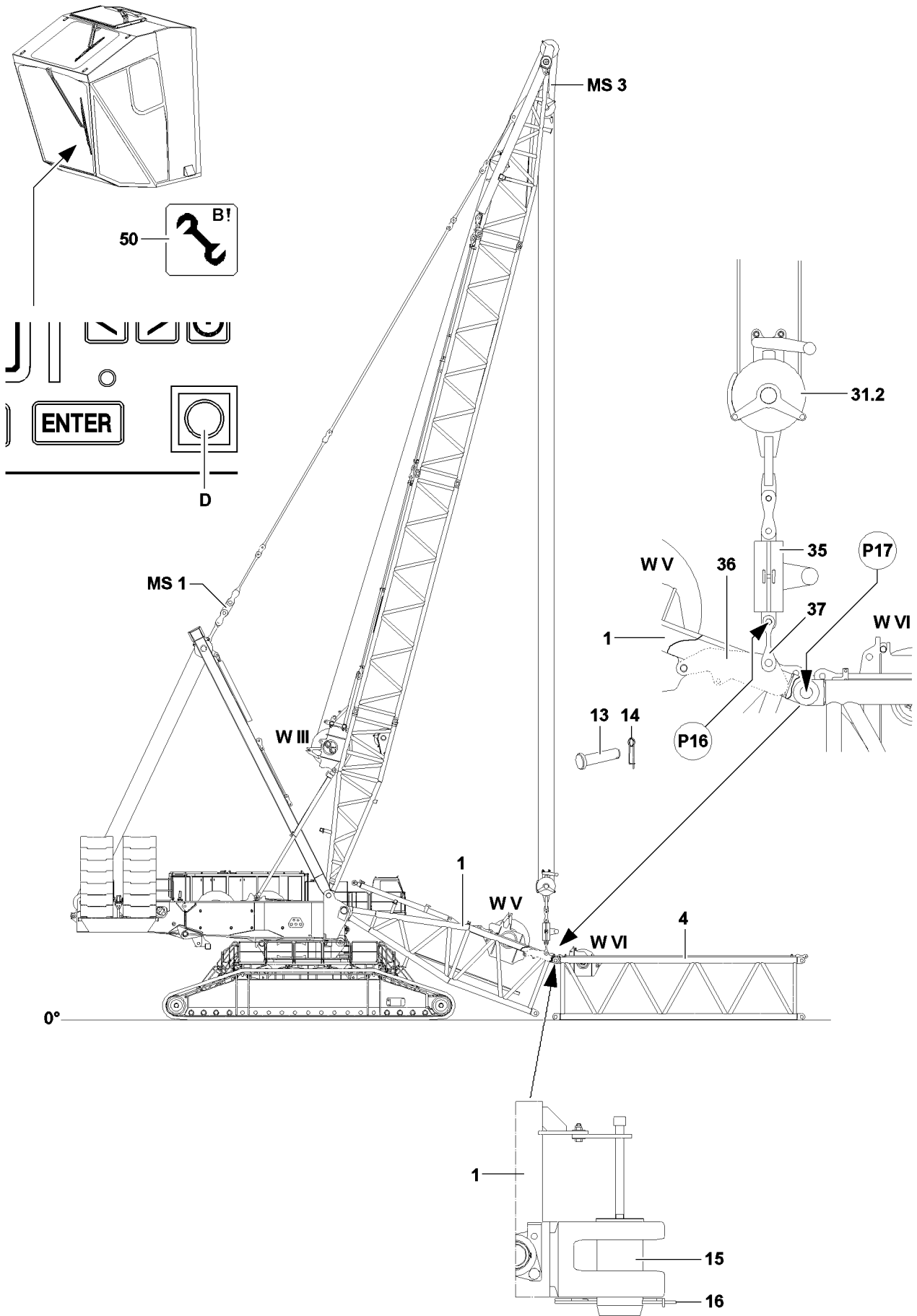


Fig.112764

LWE/LR 11350-005/19004-04-02/en

**WARNING**

Assembly with turned on set up key!

When the set up key is engaged, the LICCON overload protection is deactivated!

In the event of deliberate improper use, the crane could collapse, the boom can break off or the crane can topple over!

Personnel can be severely injured or killed!

This could result in high property damage!

- ▶ The set up key **D** may only be actuated by persons who know the effects of a bypass!
- ▶ Press the set up key **D** only when the set up status was correctly entered into the LICCON computer system!
- ▶ Observe the erection / take down charts!
- ▶ Crane operation with the set up key **D** turned on is strictly prohibited!

- ▶ Turn the set up key **D** to the right.

Result:

- The LICCON overload protection is deactivated.
- The assembly icon **50** appears on the LICCON monitor.
- ▶ At the same time, spool the hoist winch out and luff the main boom down until the hook block touches the ground.
- ▶ Remove the hoist limit switch weight and unreeve the hook block.
- ▶ Luff the main boom down until the boom or the boom head is laying on the support.

**WARNING**

Spooling up of hoist rope!

By spooling the hoist rope up, personnel can be severely injured or killed!

- ▶ All rope retaining pins / pipes on the main boom are removed!
- ▶ Slowly spool up the hoist rope over the rope pulleys back to the winch!
- ▶ Make sure that no personnel is within the danger zone!

NOTICE

Overspooled winch!

If the hoist rope is pulled under the winch when spooling up, then the adjustment of the cam limit switch can change!

A new adjustment by **Liebherr Service** is required!

- ▶ Stop the winch in time, with sufficient rope reserve!
- ▶ Do not overspool the winch!

- ▶ Spool the hoist rope up.

Fig.195219

LWE/LR 11350-005/19004-04-02/en

4.3 Disconnecting the electrical connections

Make sure that the following prerequisite is met:

- The main boom is placed on the support / the supports.

NOTICE

Damage to cable drum or cable!

If the cable of the cable drum is not properly spooled up on the cable drum after unplugging the S-end section, then the cable drum or the cable can be significantly damaged!

- ▶ Spool the cable drum up after unplugging!
-
- ▶ Spool the cable drum up and secure it to prevent inadvertent spooling out.
 - ▶ Disconnect the electrical connections and store the plug and cable properly.

4.4 Disconnecting the hydraulic connections

When connecting and releasing hydraulic lines with quick couplings, make sure that the coupling procedure is carried out correctly.



DANGER

Danger of accident due to loss of pressure or leakage!

Incorrectly coupled or self-loosening quick-release couplings (particularly return lines) can result in serious accidents due to component failure!

- ▶ Check that the quick couplings have been properly connected before using the crane!
-



Note

- ▶ To connect or release the hydraulic lines with quick couplers, see Crane operating instructions, chapter 5.01!
-
- ▶ Release the pressure in the hydraulic system before connecting or disconnecting. Turn the engine off and wait for short time.
 - ▶ Assembling coupling components (sleeve and connector) by using hand-tightened nut.
 - ▶ Connect coupling components.

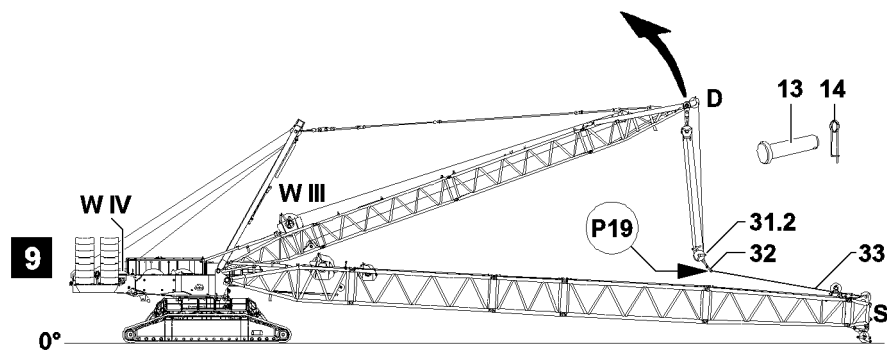
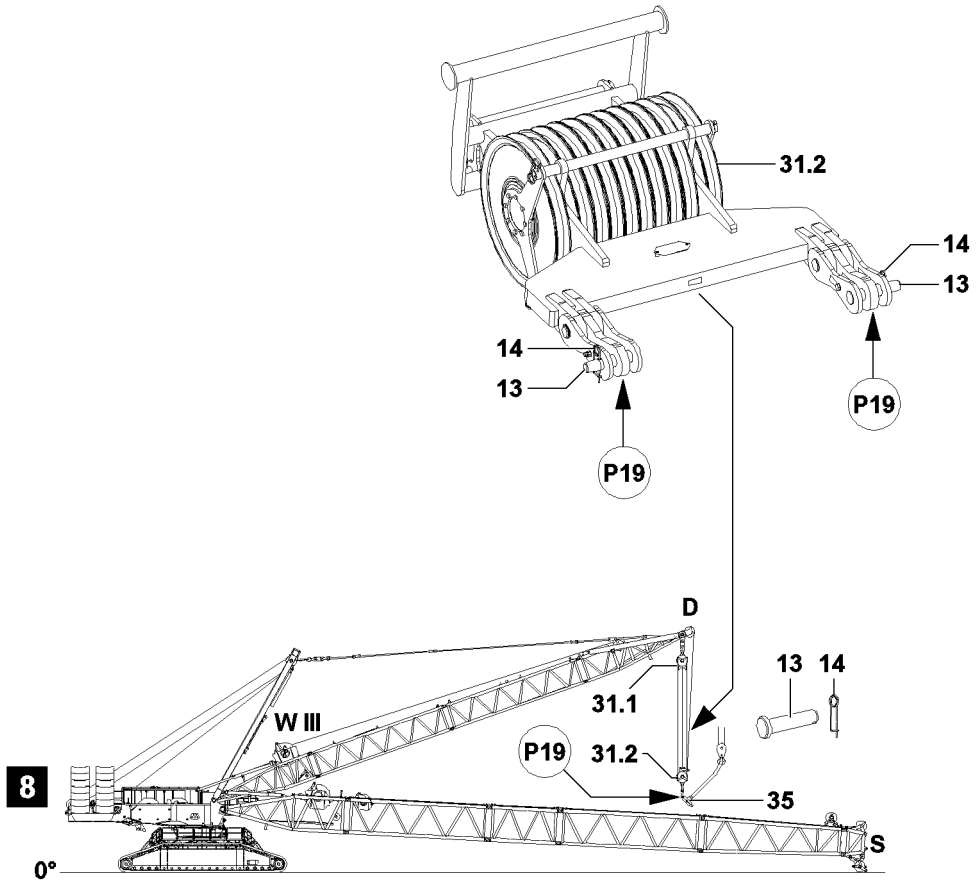


Fig.112771

LWE/LR 11350-005/19004-04-02/en

4.5 Disassembling the guy rods

NOTICE

Slack rope formation!

The control rope could be damaged if any of the ropes are slack!

▶ When placing the guy rods down into the transport receptacles, don't let the ropes become slack!

▶ Relieve the guying: Luff the D-boom down to the front until the guy rods are placed in the transport receptacles.

When the guy rods on the main boom are in the transport receptacles:

▶ Stop the luff down movement of the D-boom.

▶ Carefully spool out winch 3 **W III** until the guying is relieved.

When the guying is relieved:

▶ Disassemble the auxiliary guying (if present on the boom).

▶ Unpin the upper pulley block **31.2** on the S-guy rods.

▶ Place the S-guy rods on the S-lattice sections and secure with transport retainers.

▶ Disconnect the guy rods according to their association to the S-lattice sections.

NOTICE

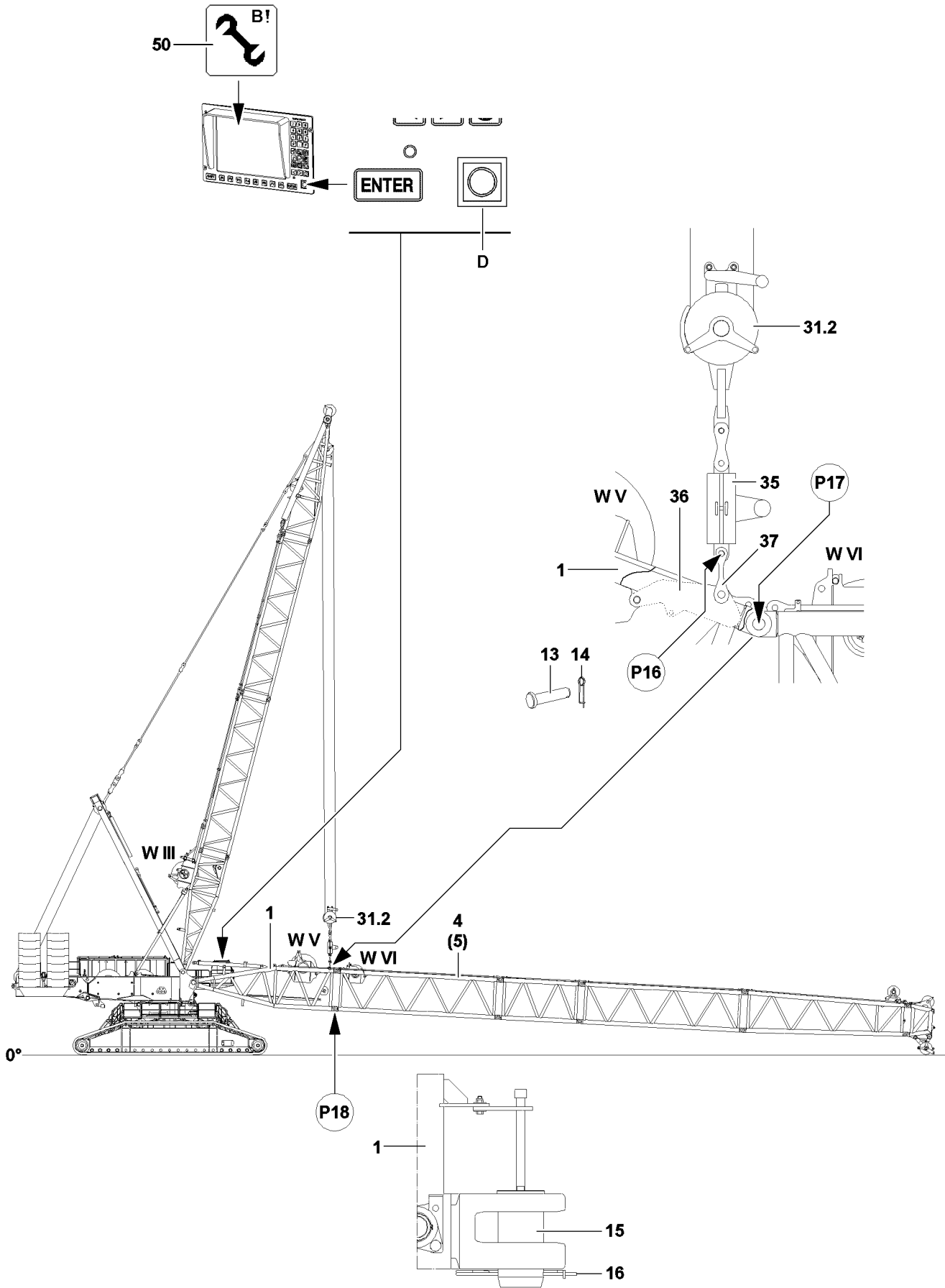
Damage to the intermediate sections!

▶ Do not pull the upper pulley block **31.2** over the intermediate sections, rather guide them with the auxiliary crane!

▶ Make sure when erecting the D-boom, that the upper pulley block **31.2** is not pulled against the D-end section!

When the guy rods are placed in the transport retainers and secured:

▶ Erect the D-boom and spool up winch 3 **W III** at the same time.



LWE/LR 11350-005/19004-04-02/en

Fig.112765

4.6 Disassembling the main boom



WARNING

The boom can suddenly fold down!

If the following conditions are not met before disassembling the boom, the boom can fold down!

Personnel can be severely injured or killed!

- ▶ Support the main boom during disassembly with suitable materials!
- ▶ During pinning and unpinning of the lattice sections, it is prohibited for anyone to remain **under** or **on** the components as well as within the entire danger zone!

Make sure that the following prerequisites are met:

- All electrical and hydraulic connections have been disconnected.
- The auxiliary guying is disassembled.
- The guy rods have been disassembled and placed in the transport retainers.
- The guy rods are placed in the transport retainers and secured.
- ▶ Lower the upper pulley block **31.2** until it is over the brackets **37** on the S-pivot section **1**.
- ▶ Swing the assembly weight **35** with the auxiliary crane in to the upper pulley block **31.2**.
- ▶ Pin the assembly weight **35** on the upper pulley block **31.2** and secure.
- ▶ Pin the assembly weight **35** on the brackets **37** at point **P16** and secure: Use pin **13** and spring retainer **14**.



WARNING

The crane can topple over!

If the following conditions are not met, the crane can topple over or be significantly damaged!

Personnel can be severely injured or killed!

- ▶ The maximum permissible total force on test point **MS1** may **not** be exceeded!
- ▶ The maximum permissible total force on test point **MS3** may **not** be exceeded!
- ▶ Lifting and opening the respective boom is only permissible by observing the maximum permissible boom lengths and total forces!



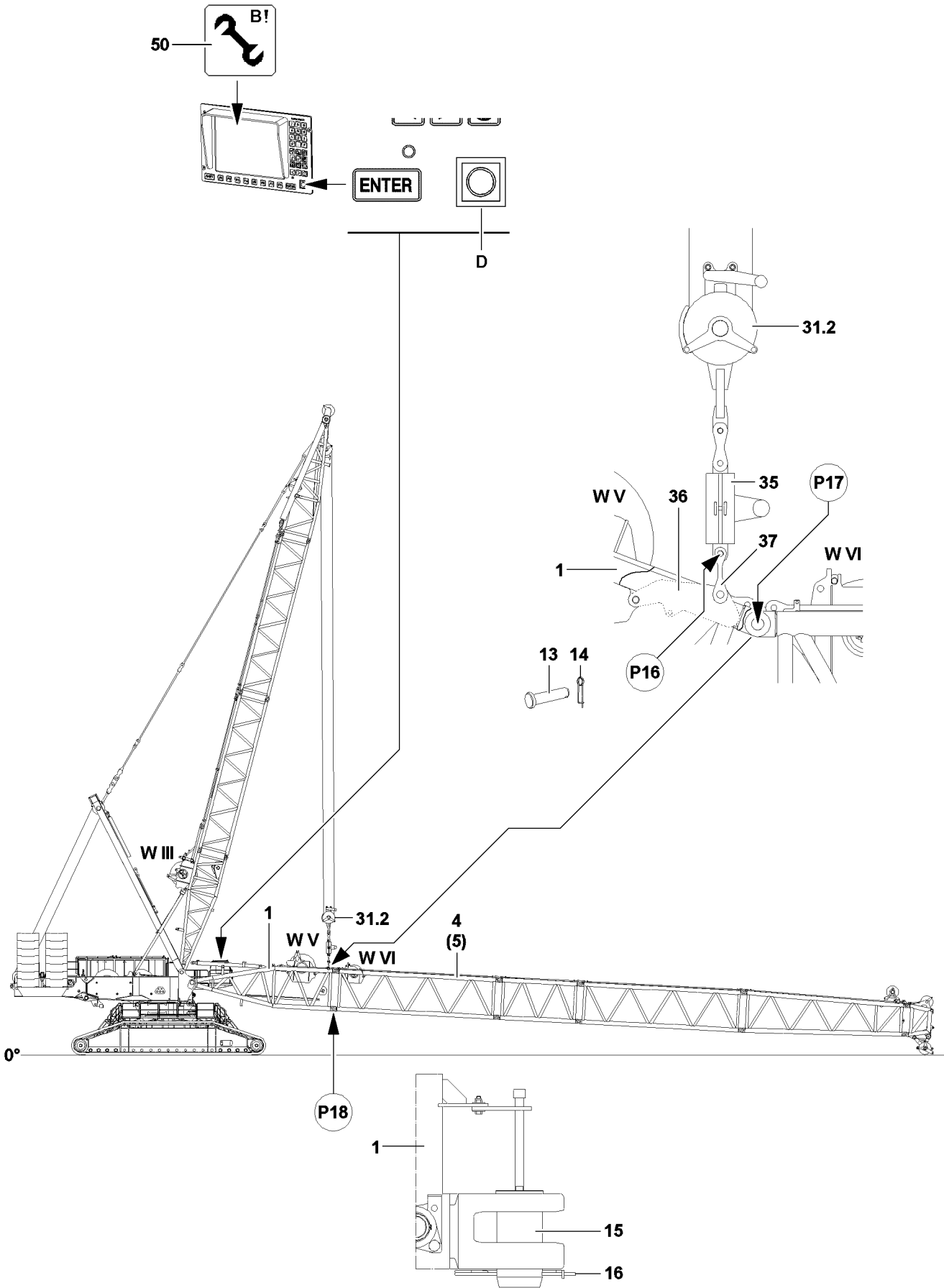
Note

- ▶ The actual forces on the test point 1 **MS1** and on the test point 3 **MS 3** are shown on the LICCON monitor 1!
- ▶ Tension the guying on the test points at disassembly with the same forces as for assembly!
- ▶ For this, refer the ACTUAL forces measured and recorded on the test points during the assembly!
- ▶ The pins can be pulled easier and the pins and lugs are therefore not damaged!



Note

- ▶ Unpin the intermediate sections with the pin pulling device, see Crane operating instructions, chapter 5.30!



LWE/LR 11350-005/19004-04-02/en

Fig.112765

NOTICE

Danger of property damage!

If the maximum permissible total forces is not observed when lifting the boom system for disassembly, then crane components can be severely damaged!

- ▶ Reassemble long booms to the required length for flying disassembly!
- ▶ Do not exceed the maximum permissible total forces!

-
- ▶ Lift the main boom from the supporting base or off the ground by spooling up winch 3.

When the main boom has been lifted off the ground and is safely held by winch 3:

- ▶ Unpin the S-pivot section **1** and S-intermediate section **4** at point **P18** on both sides: Release and unpin the pin **15**.

When the pins **15** are unpinned at point **P18**:

- ▶ Carefully place the main boom down on the ground.

When the main boom is laying on the ground:

- ▶ Unpin the S-pivot section **1** and S-intermediate section **4** at point **17** on top on both sides: Release and unpin the pin **15**.
- ▶ Unpin the S-intermediate sections and remove with the auxiliary crane.
- ▶ Unpin the assembly weight **35** on the brackets **37**: Release and unpin the pin **13**.

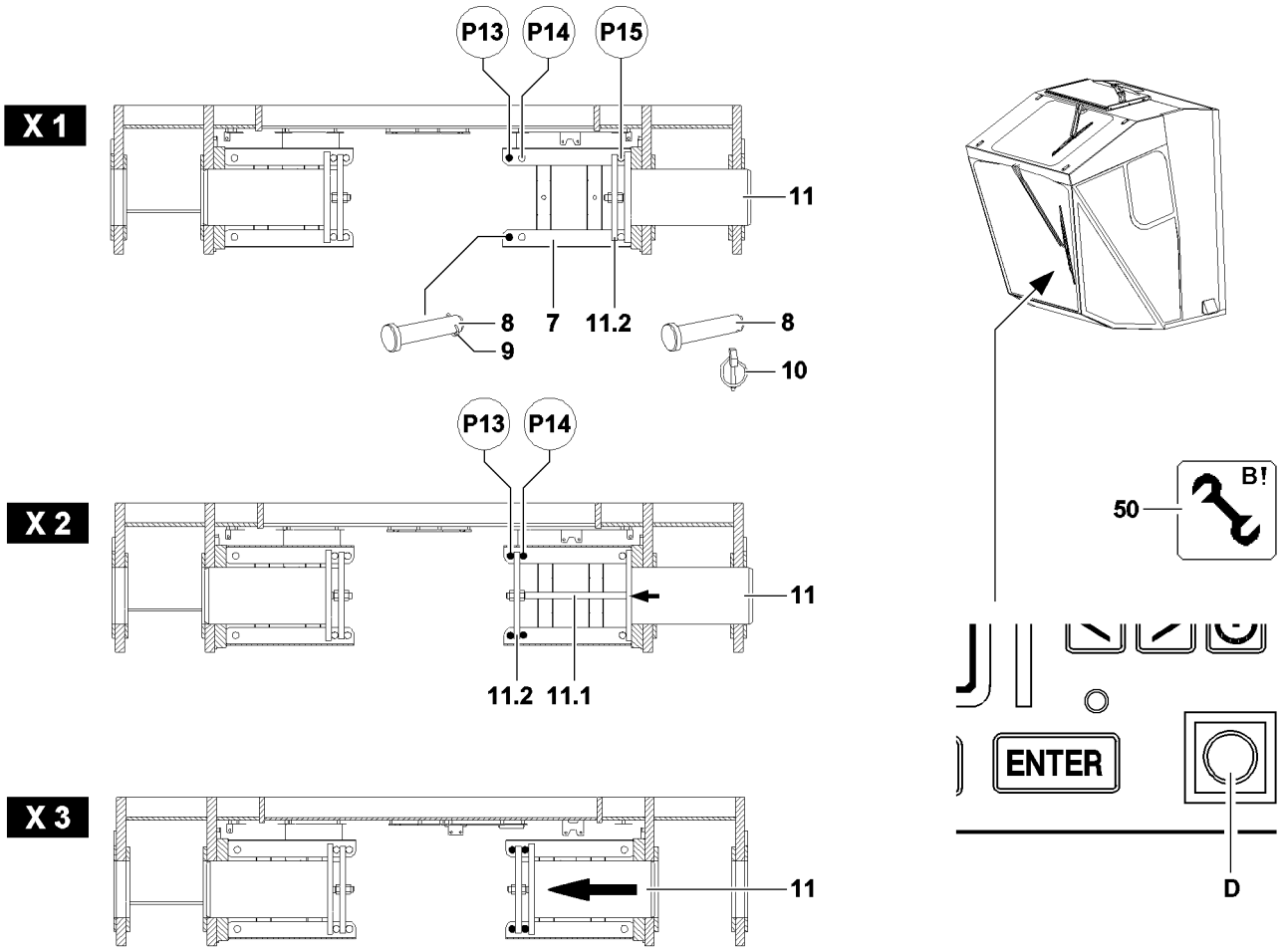
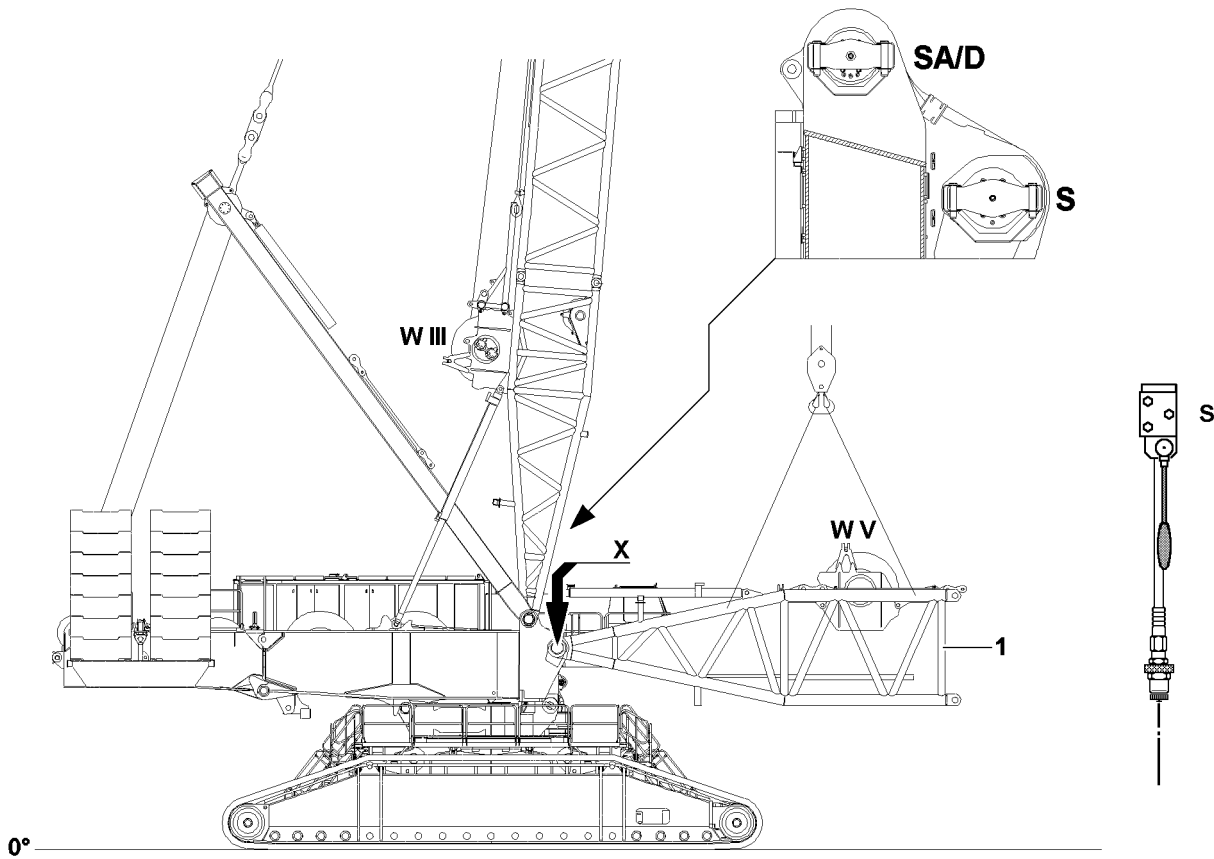


Fig.112763

LWE/LR 11350-005/19004-04-02/en

4.7 Unpinning the S-pivot section on the turntable



WARNING

General danger notes!

- ▶ Insert and secure all pins after disassembly in the intended transport receptacles!

Make sure that the following prerequisite is met:

- The D-boom is erected to the point where the S-pivot section can be disassembled without obstructions.



Note

- ▶ Select the fastening points on the S-pivot section in such a way that the S-pivot section hangs horizontally on the auxiliary crane at disassembly. See section „Fastening points“!

- ▶ Attach the S-pivot section **1** on the fastening points **P1** and fastening points **P2** on the auxiliary crane.

or

- ▶ Attach the S-pivot section **1** on the fastening points **P1** and fastening points **P3** on the auxiliary crane.

- ▶ Lift the S-pivot section **1** with the auxiliary crane to the horizontal.
- ▶ Establish the hydraulic connection to the pin pulling device.



WARNING

Falling pivot section!

- ▶ Make sure that the S-pivot section **1** is safely held by the auxiliary crane before unpinning the pins **11**!

- ▶ Unpin the S-pivot section **1** on the turntable, see Crane operating instructions, chapter 5.38.

NOTICE

Damage of the turntable and the S-pivot section!

- ▶ Slowly swing the S-pivot section out with the auxiliary crane and at low speed on the turntable!
- ▶ Before placing it on the ground, support the S-pivot section!

When the connector pins **11** on the S-pivot section **1** are fully unpinned on both sides:

- ▶ Swing the S-pivot section **1** out on the turntable with the auxiliary crane and place it down.
- ▶ Remove the auxiliary crane.



Note

- ▶ Disassemble the D-boom, see Crane operating instructions, chapter 5.05!

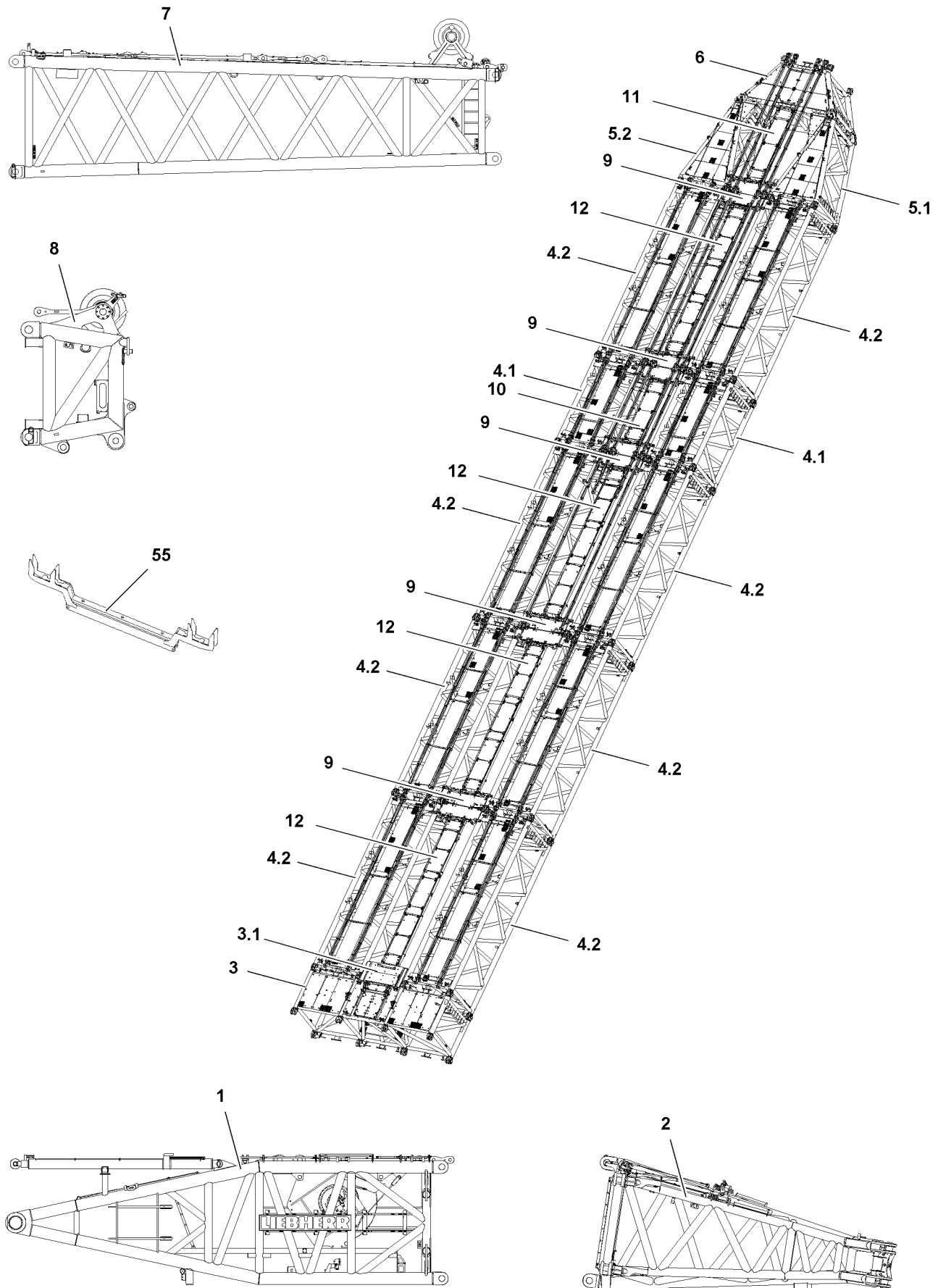


Fig.117192

LWE/LR 11350-005/19004-04-02/en

1 Components

Position	Component
1	S-pivot section
1.1	With winch 5
1.2	Without winch 5
2	Lower P-adapter
2.1	Right side
2.2	Left side
3	Cross carrier
3.1	Platform
4	S-intermediate sections
4.1	S-intermediate section 6.00 m
4.2	S-intermediate section 12.00 m
5	Upper P-adapter
5.1	Right side
5.2	Left side
6	Cross beam
7	S-adapter
8	SW-end section
9	Bridge lateral
10	Bridge 4.00 m
11	Bridge 4.75 m
12	Bridge 10.00 m
55	Carrier for rod placement (use only for 3 m auxiliary rods)

2 Fastening points

2.1 Fastening points S-pivot section

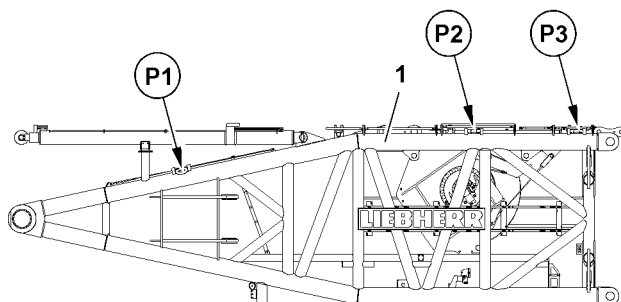


Fig.114722: Fastening points S-pivot section

Fastening points	
P1 and P2	S-pivot section without winch 5
P1 and P3	S-pivot section with winch 5

2.2 Fastening points lower P-adapters

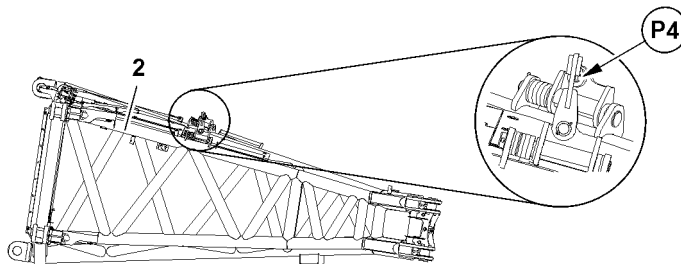


Fig.114723: Fastening points lower P-adapters

Fastening points	
P4	Lower P-adapter left and lower P-adapter right

2.3 Fastening points cross carrier

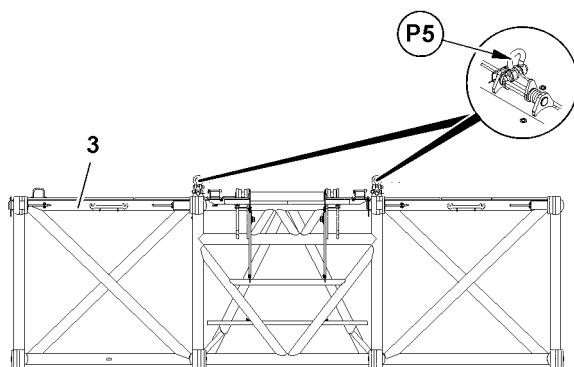


Fig.114724: Fastening points cross carrier

Fastening points	
P5	Cross carrier

2.4 Fastening points S-intermediate section 6 m

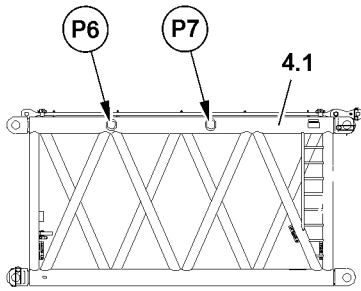


Fig.114725: Fastening points S-intermediate section 6 m

Fastening points	
P6 and P7	S-intermediate section 6 m

2.5 Fastening points S-intermediate section 12 m

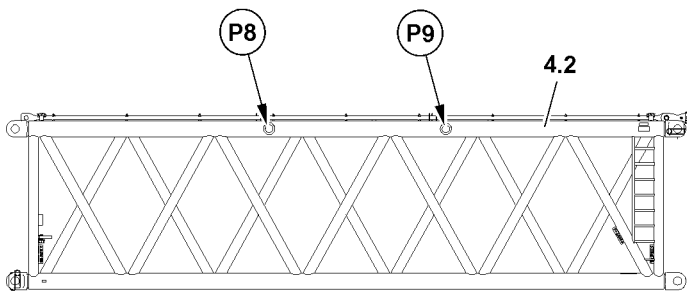


Fig.114726: Fastening points S-intermediate section 12 m

Fastening points	
P8 and P9	S-intermediate section 12 m

2.6 Fastening points upper P-adapters

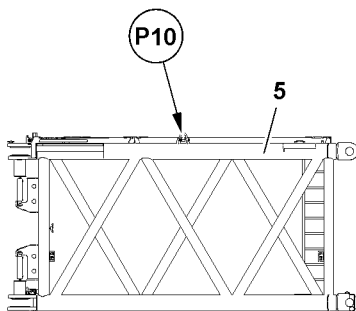


Fig.114727: Fastening points upper P-adapters

LWE/LR 11350-005/19004-04-02/en

Fastening points	
P10	Upper P-adapter left and upper P-adapter right

2.7 Fastening points - cross bar

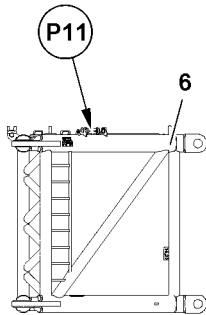


Fig.114728: Fastening points - cross bar

Fastening points	
P11	Cross beam

2.8 Fastening points S-adapter

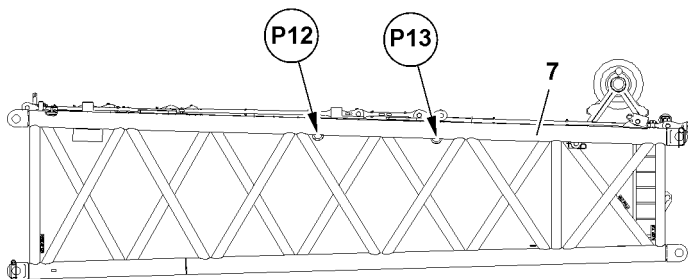


Fig.114729: Fastening points S-adapter

Fastening points	
P12 and P13	S-adapter

2.9 Fastening points SW-end section

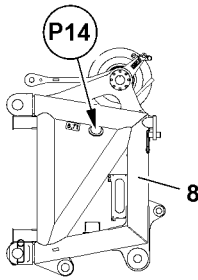


Fig.114730: Fastening points SW-end section

Fastening points	
P14	SW-end section

2.10 Fastening points bridge „lateral“

NOTICE

Damage of fastening points!

- ▶ Transport maximum two bridges 9 together.

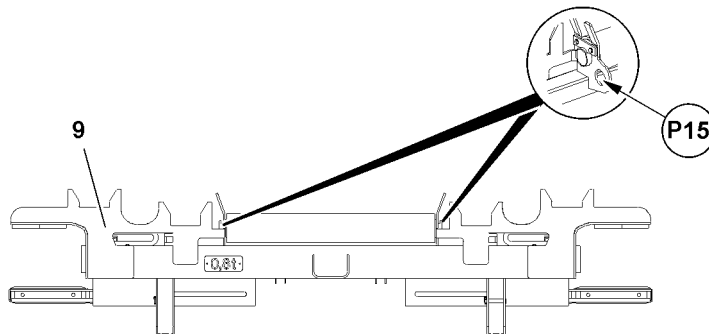


Fig.114731: Fastening points bridge

Fastening points	
P15	For transport and assembly

2.11 Fastening points bridge (4.00 m)

NOTICE

Damage of fastening points!

- ▶ Transport bridge 10 always individually.

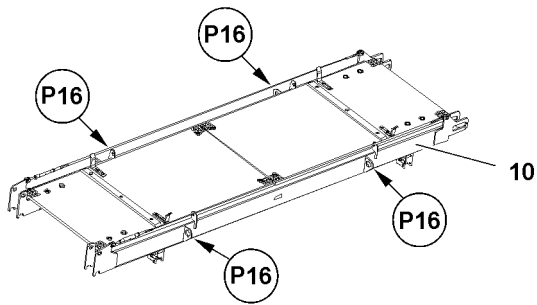


Fig.117193: Fastening points bridge

Fastening points	
P16	For transport and assembly

2.12 Fastening points bridge (4.75 m)

NOTICE

Damage of fastening points!

► Transport bridge 11 always individually.

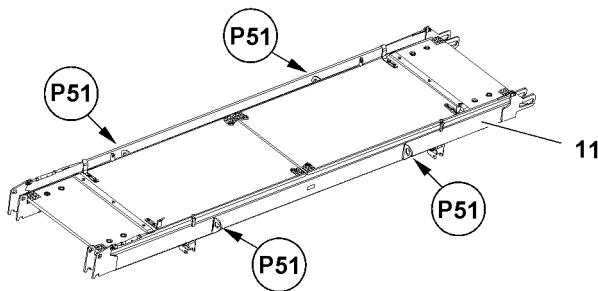


Fig.117194: Fastening points bridge

Fastening points	
P51	For transport and assembly

2.13 Fastening points bridge (10.00 m)

NOTICE

Damage of fastening points!

► Transport bridge 12 always individually.

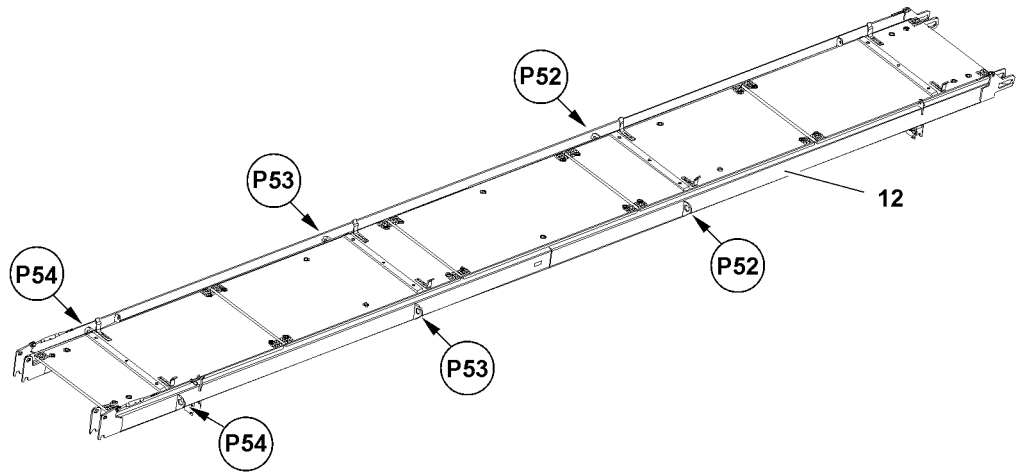


Fig.117195: Fastening points bridge

Fastening points	
P52 + P53	For transport and assembly bridge 12
P53 + P54	Exclusively for assembly: Bridge 12 pinned with bridge 9

2.14 Fastening points Bridge lengthwise and bridge lateral preassembled

NOTICE

Damage of fastening points!

- Transport preassembled bridges always individually.

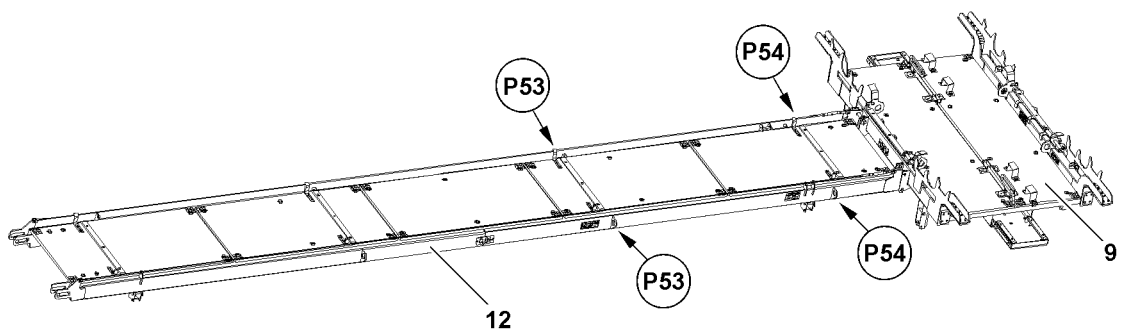


Fig.117203: Fastening points bridge preassembled

Fastening points	
P53 + P54	For assembly bridge „lengthwise“ and „lateral“ preassembled

LWE/LR 11350-005/19004-04-02/en

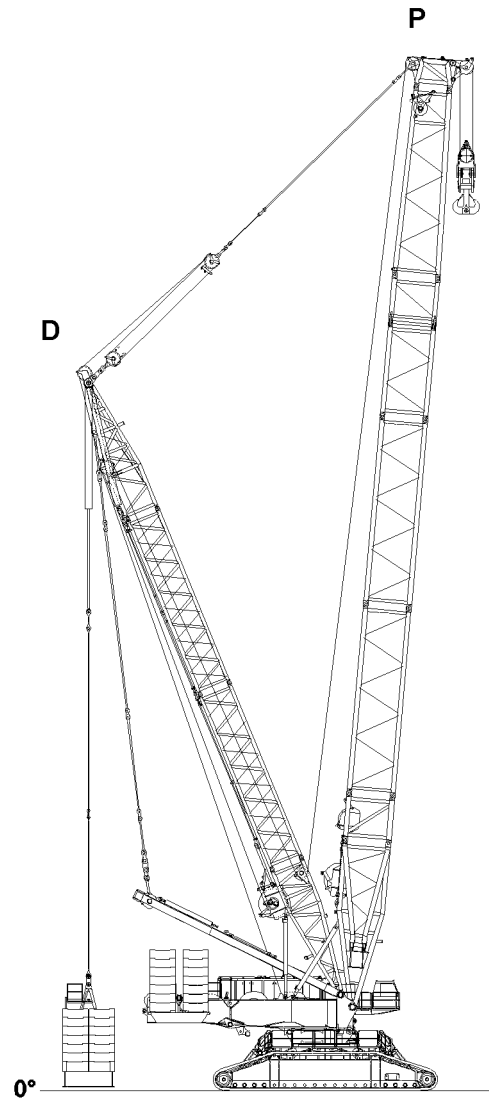


Fig.117196

LWE/LR 11350-005/19004-04-02/en

3 Assembly PD-boom



WARNING

Danger of falling!

During assembly / disassembly, inspection and maintenance work, personnel must be secured with appropriate aids to prevent them from falling! If this is not observed, assembly personnel could fall and suffer life-threatening or fatal injuries!

- ▶ All work aloft, where there is a danger of falling must be carried out with suitable aids!
- ▶ If fall protection equipment is available, then it must be used, see Crane operating instructions, chapter 2.06!
- ▶ If aids are not available and work cannot be carried out from the ground, then the assembly personnel must secure themselves with the supplied fall arrest system to prevent falling, see Crane operating instructions, chapter 2.04!
- ▶ The fall arrest system must be fastened on the fastening and hook points as well as on the safety ropes. For safety points, see Crane operating instructions, chapter 2.06!
- ▶ Only step on the aids, ladders and catwalks with clean shoes!
- ▶ Keep aids, ladders and catwalks free of heavy dirt, snow and ice!
- ▶ Stepping or walking on crane components and lattice sections, which have an incline of more than 20° is prohibited!



WARNING

The lattice sections can fall down!

If the lattice sections are not pinned and secured correctly, then they can fall „down“ and severely injure or kill personnel!

- ▶ Pin or unpin both pins at the same horizontal level, i.e. **left and right!**
- ▶ Do not stand under the lattice sections or within the entire danger zone during the pinning and unpinning procedure of the boom!
- ▶ Secure the pins in the bearing points and the receptacles!
- ▶ It is prohibited to lean the ladder against the components being disassembled!
- ▶ Do not remove the fastening equipment and the auxiliary crane until each component is pinned on and secured!



WARNING

Danger of impact / crushing!

When installing / removing crane components with the auxiliary crane, crane components can start to swing back and forth!

When lifting / lowering and positioning crane components, there is an increased danger of impacts / crushing!

Personnel can be caught and severely injured or killed!

- ▶ Make sure that personnel cannot be caught by components!
- ▶ Make sure that the crane is horizontally aligned!
- ▶ When working in danger zones: Use aids to protect limbs!
- ▶ Guide components with suitable aids to minimize oscillation!

3.1 Assembling the railing on the S-pivot section

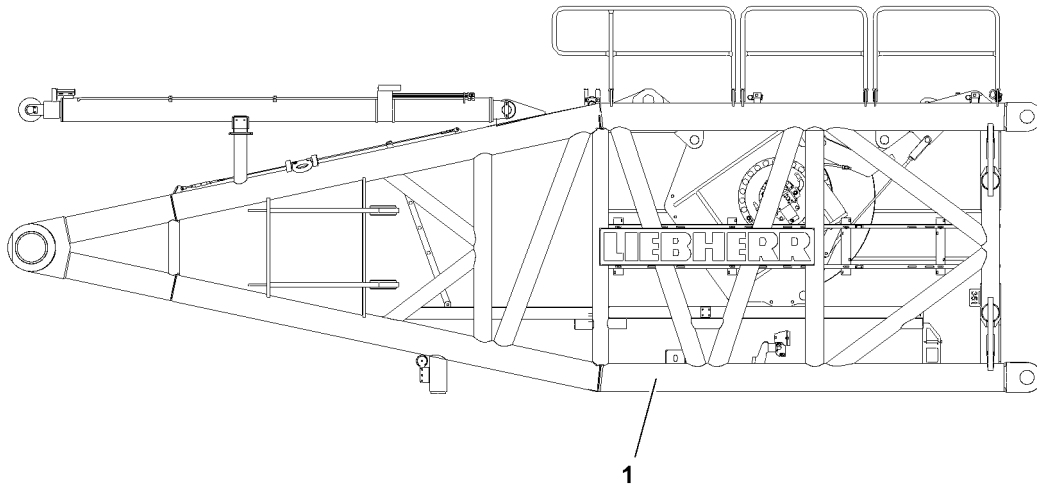


Fig.115416: Assembling the railing on the S-pivot section



WARNING

Danger of falling!

During assembly and disassembly of the railing, personnel must be secured with appropriate aids to prevent them from falling!

Even for assembly of protective devices there is a danger of falling!

Assembly personnel can fall and be severely injured or killed!

- ▶ For assembly and disassembly work, maintenance and inspection work on the S-pivot section, all railings must be assembled and secured!
- ▶ Step on the S-pivot section **1** only with „clean shoes“.

- ▶ Swing the railing on the S-pivot section **1** into operating position, pin with the grip pin and secure with spring retainer, see Crane operating instructions, chapter 2.06.

3.2 Installing the catwalk / assembly platform



WARNING

Disassembled or incompletely assembled catwalk!

If the catwalk is not assembled or incompletely assembled when winch 5 is missing, then personnel can fall and be severely injured or killed!

- ▶ For non-assembled winch 5 on the S-pivot section **1**: Assemble the catwalk!
- ▶ The catwalk may only be accessed when it is pinned and secured in operating position, check visually!



WARNING

Catwalks swung down!

Catwalks which swing down by themselves can cause severe face or head injuries for the assembly personnel!

Personnel can be severely injured or killed!

- ▶ For safety reasons, assemble the catwalks always with two persons!



Note

- ▶ If winch 5 is installed in operating position on the S-pivot section, then the removed catwalk must be pinned and secured in transport position!

Make sure that the following prerequisites are met:

- The railings are pinned in operating position and secured.
- The assembly personnel is secured to prevent them from falling.

3.2.1 Assembling the catwalk / assembly platform in operating position

Make sure that the following prerequisite is met:

- The catwalk is in transport position.



Note

- For assembly of the catwalk / assembly platform, see Crane operating instructions, chapter 2.06!
-

3.2.2 Assembling the catwalk / assembly platform in transport position

Make sure that the following prerequisite is met:

- The catwalk is in operating position.



Note

- For disassembly of the catwalk / assembly platform, see Crane operating instructions, chapter 2.06.
-

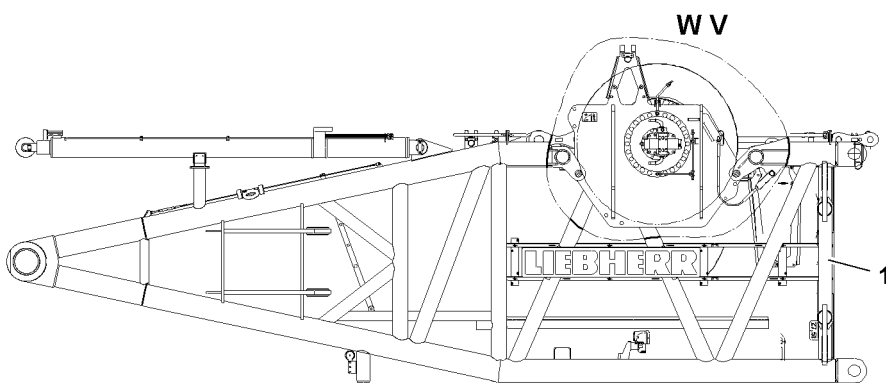
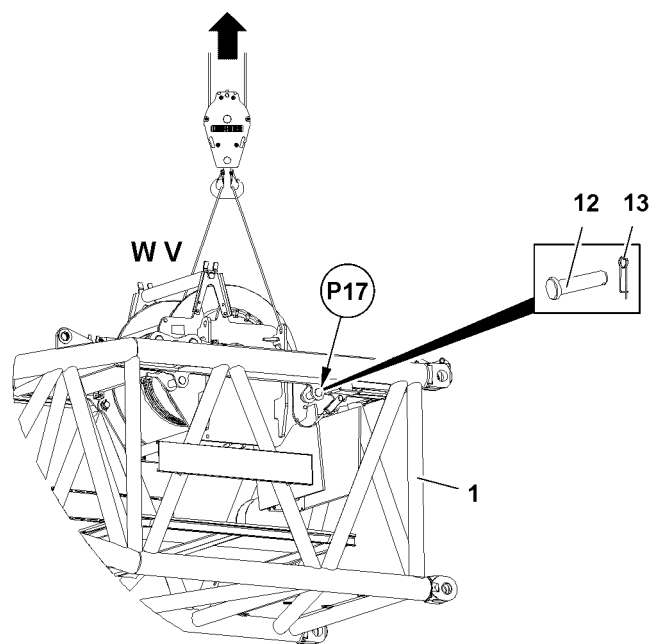
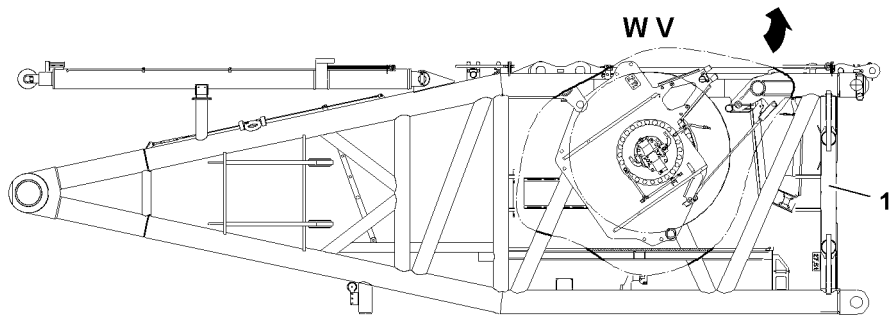


Fig.114735

LWE/LR 11350-005/19004-04-02/en

3.3 Installing winch 5 **W V** in operating position

Make sure that the following prerequisite is met:

- The catwalk is in transport position.
- ▶ Attach winch 5 **W V** on the auxiliary crane.
- ▶ Bring winch 5 **W V** with the auxiliary crane into operating position.
- ▶ Pin winch 5 **W V** with the S-pivot section 1: Insert the pin **12** on both sides at point **P17** and secure with spring retainer **13**.

When winch 5 **W V** is pinned and secured:

- ▶ Remove the auxiliary crane.
- ▶ Establish the electrical connections from the terminal box in the S-pivot section 1 to winch 5 **W V**.
- ▶ Establish the hydraulic connections to winch 5 **W V**.

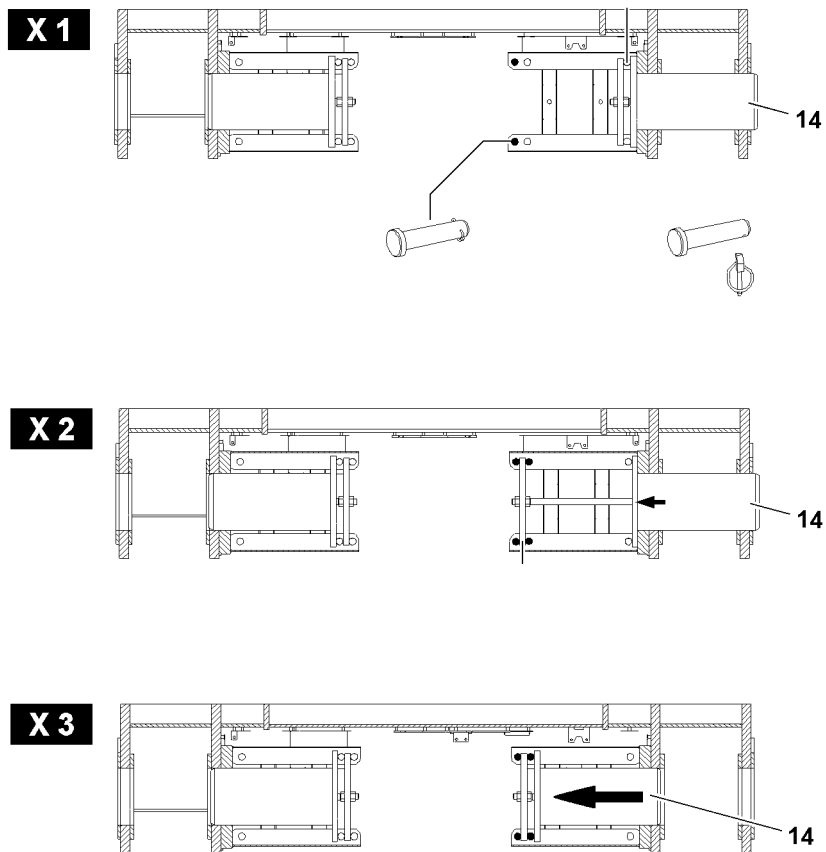
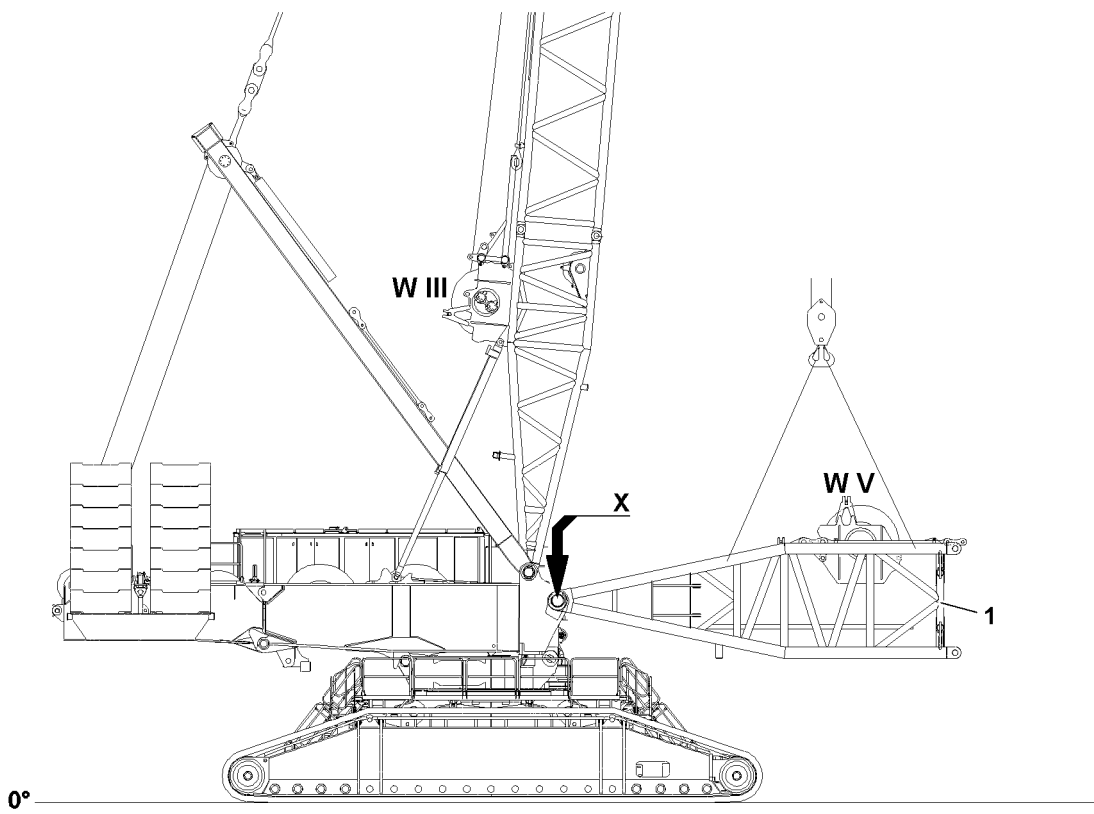


Fig.117197

LWE/LR 11350-005/19004-04-02/en

3.4 Installing the lattice sections of the PD-boom



Note

- ▶ Observe the arrangement of the intermediate sections of the boom system, see Crane operating instructions, chapter 5.03!



WARNING

- The crane can topple over!
Personnel can be severely injured or killed!
- ▶ The turntable may not be turned during the assembly of the boom!



WARNING

- Danger of accident!
If the following instructions are not observed, personnel can be severely injured or killed!
- ▶ For assembly of the boom combinations, the rod plan must be observed and adhered to!
 - ▶ Depending on the condition of the ground, the boom and the lattice sections must be supported from below for the assembly of the boom!
 - ▶ Observe the Safety technical notes, see Crane operating instructions, chapter 5.01!



WARNING

- General danger notes!
Personnel can be severely injured or killed!
- ▶ Support the main boom during assembly / disassembly with suitable materials!
 - ▶ All pins must be secured after assembly with the intended safety elements!
 - ▶ The guy rods must be checked regularly, see Crane operating instructions, chapter 8.15!
 - ▶ Secure the boom with support or auxiliary crane, see Crane operating instructions, chapter 5.01!
 - ▶ It is prohibited for anyone to remain under the booms or within the complete danger zone during the pinning and unpinning procedure of the lattice section!



Note

- ▶ For weights of lattice sections with placed guy rods, see Crane operating instructions, chapter 1.03!
- ▶ The lattice sections are pinned with the aid of the pin pulling device, see Crane operating instructions, chapter 5.30!

Make sure that the following prerequisites are met:

- The crane is aligned in horizontal direction.
- An auxiliary crane with an adequate load-bearing capacity is available.
- An assembly scaffolding / work platform is available.
- The counterweight has been installed on the turntable according to the load chart.
- The D-boom is completely assembled and erected on the turntable, see Crane operating instructions, chapter 5.05.
- The LICCON overload protection has been set according to the data in the load chart.

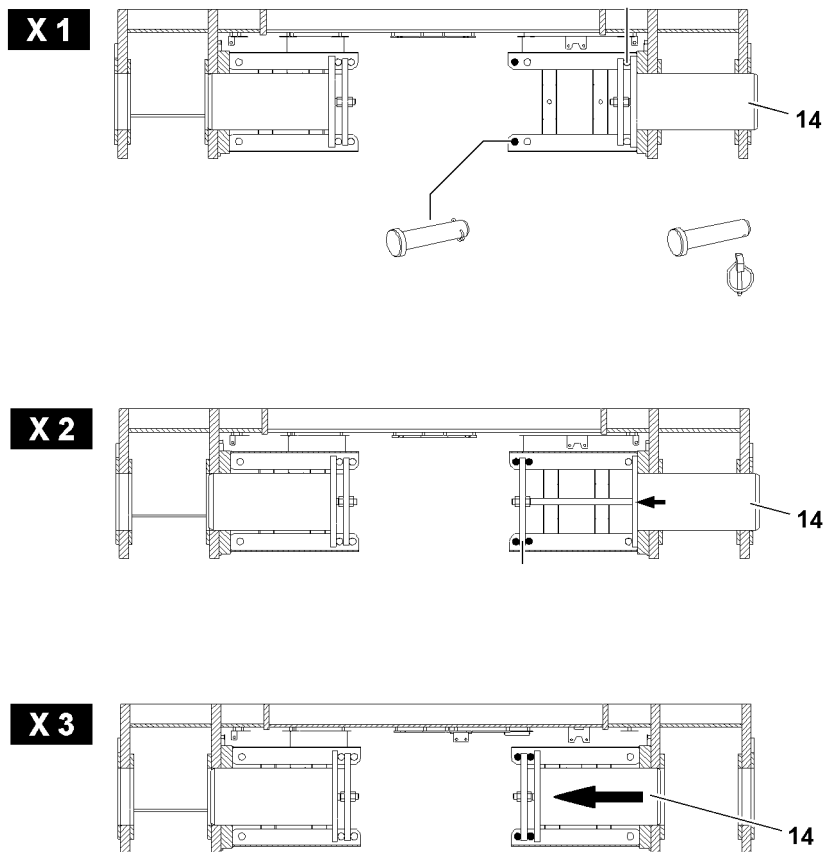
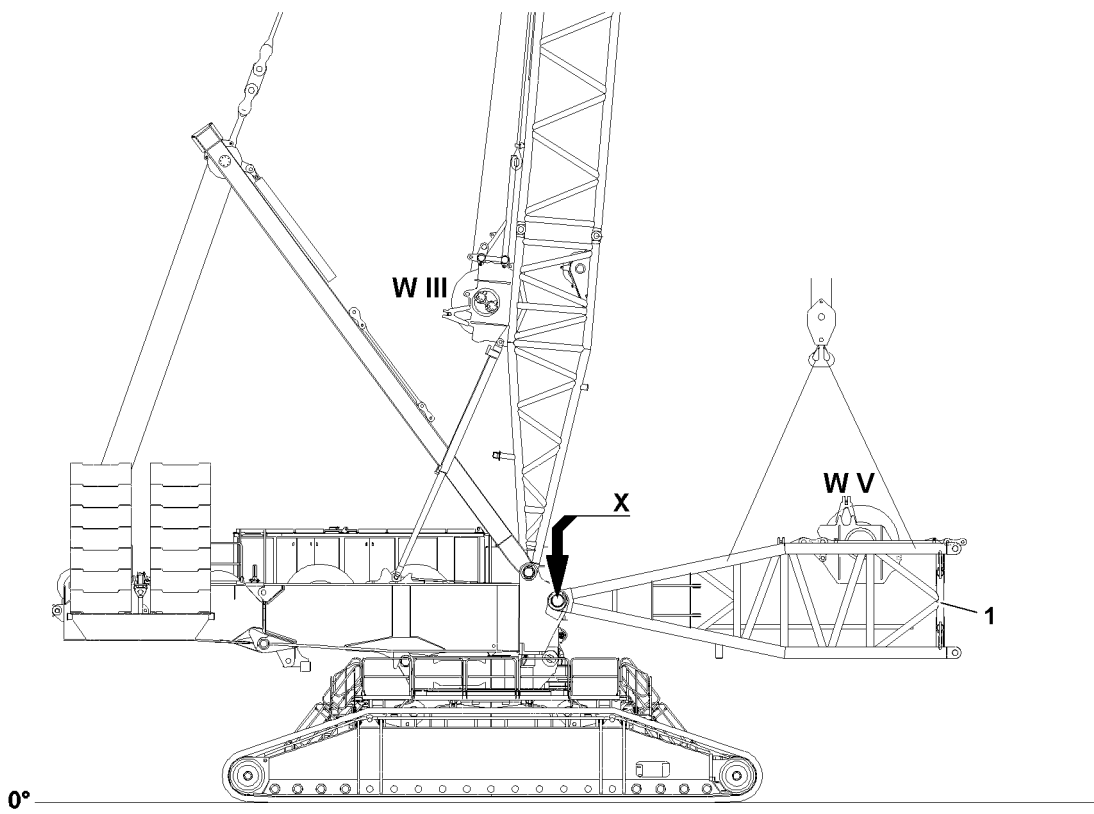


Fig.117197

LWE/LR 11350-005/19004-04-02/en

3.4.1 Turning the turntable into assembly position

**WARNING**

The crane can topple over!

If the following conditions are not met before turning the turntable - **without** installed main boom, the crane can topple over!

Personnel can be severely injured or killed!

▶ Observe the data in the erection and take down charts!

▶ Turn the turntable into assembly position, see „Erection and take down charts“.

3.4.2 Activating the assembly operation

**WARNING**

The crane can topple over!

In assembly operation the LICCON overload protection is deactivated!

The crane can collapse, the boom can break off or the crane can topple over!

Death!

▶ Enter the set up configuration correctly into the LICCON computer system.

▶ Activate the assembly operation only when the consequences are known!

▶ Crane operation with deactivated LICCON overload protection is prohibited!

▶ Adding assembly operation: See Crane operating instructions, chapter 4.02.

Result:

- The LICCON overload protection is deactivated.
- The assembly icon appears on the LICCON monitor, see Crane operating instructions, chapter 4.02.

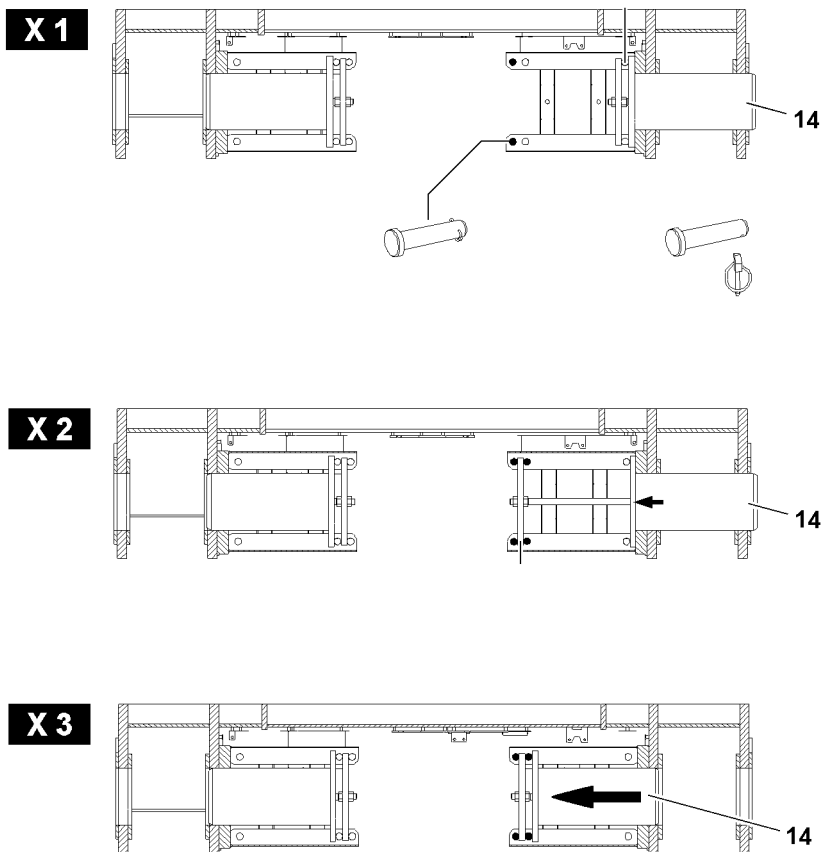
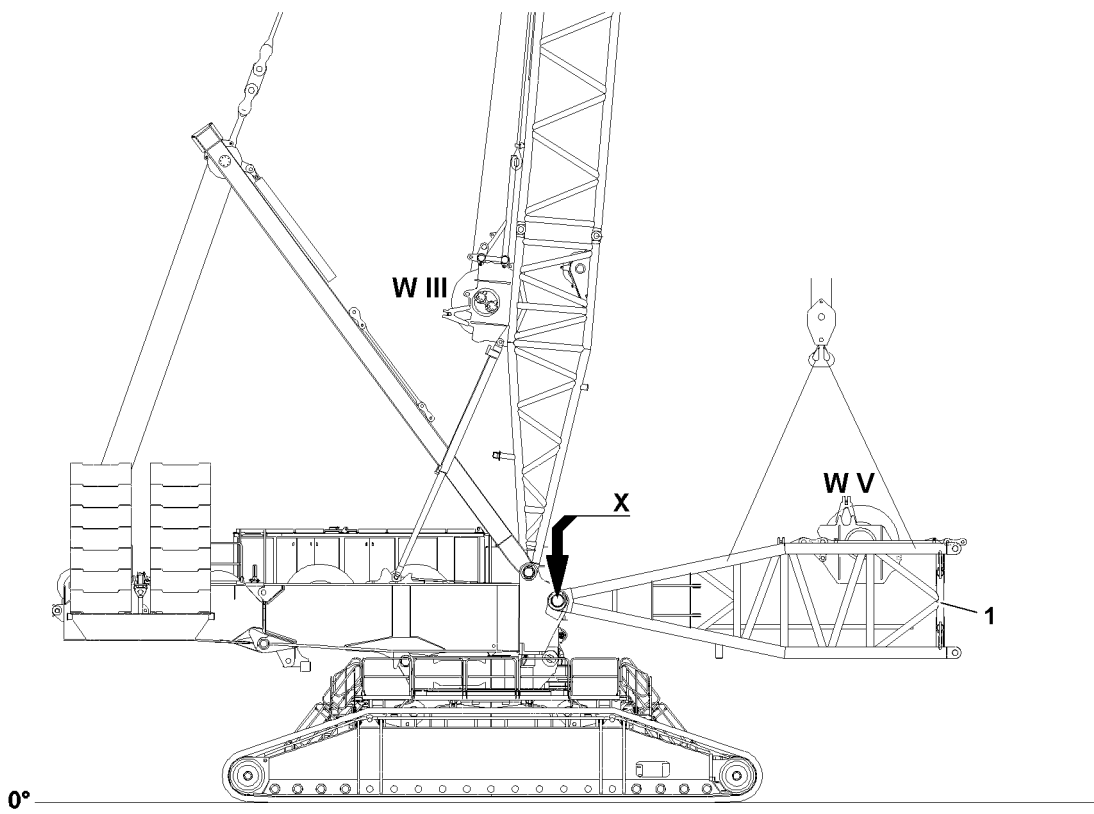


Fig.117197

LWE/LR 11350-005/19004-04-02/en

3.4.3 Installing the S-pivot section

Make sure that the following prerequisite is met:

- The connector pins **14** are unpinned on both sides on the turntable, see Crane operating instructions, chapter 5.38.



Note

- ▶ Select the fastening points on the S-pivot section **1** in such a way that the S-pivot section **1** hangs horizontally on the auxiliary crane at assembly, see section „Fastening points of lattice sections“!

When winch 5 **W V** is deactivated:

- ▶ Fasten the S-pivot section **1** on the fastening points **P1** and the fastening points **P2** on the auxiliary crane and swing in to the pin points on the turntable.
or

When winch 5 **W V** is installed:

Fasten the S-pivot section **1** on the fastening points **P1** and the fastening points **P3** on the auxiliary crane and swing in to the pin points on the turntable.



WARNING

Falling S-pivot section!

Due to non-secured or insufficiently secured connector pins **14**, the S-pivot section **1** can fall down!
Personnel can be severely injured or killed!

- ▶ Secure the connector pins **14** between the S-pivot section **1** and the turntable after the pinning procedure with the stop pins!

- ▶ Pin the S-pivot section **1** on the turntable, see Crane operating instructions, chapter 5.38.

NOTICE

Damage to the S-pivot section **1**!

When the installed S-pivot section **1** is placed on the ground, the S-pivot section **1** can be damaged!

- ▶ Before placing the S-pivot section **1** down on the ground, make sure that the S-pivot section **1** cannot collide with the crane components during the take down procedure!
- ▶ Carefully place the S-pivot section **1** with the auxiliary crane and at low speed on the ground!
- ▶ Before placing it on the ground, support the S-pivot section **1**!

When the S-pivot section **1** is pinned and secured properly on the turntable:

- ▶ Carefully place the S-pivot section **1** with the auxiliary crane on the support.
- ▶ Remove the auxiliary crane.

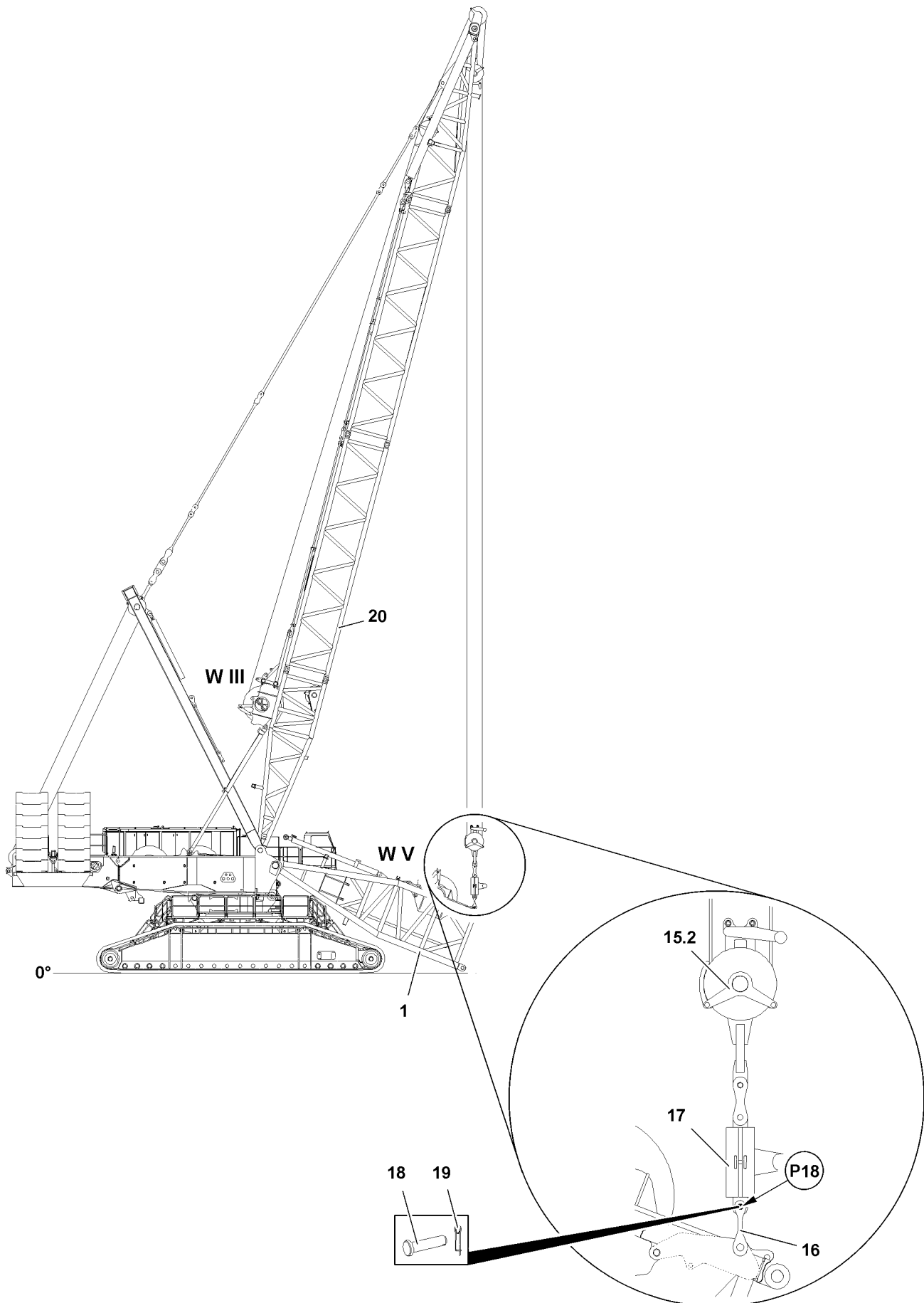


Fig.114737

LWE/LR 11350-005/19004-04-02/en

3.4.4 Pinning the upper pulley block on the S-pivot section

To be able to lift the S-pivot section **1** to install the two lower P-adapters on the S-pivot section **1** it is necessary to connect the upper pulley block **15.2** with the S-pivot section **1**. To do so, the D-boom **20** is luffed forward until the upper pulley block **15.2** can be pinned on the brackets **16** on the S-pivot section **1**.

Make sure that the following prerequisites are met:

- The S-pivot section **1** is pinned and secured on the turntable.
 - The S-pivot section **1** is placed on the ground on the support base.
 - The auxiliary crane is removed.
 - The railings on the S-pivot section **1** are in operating position, see Crane operating instructions, chapter 2.06.
 - The winch **5 W V**, if present, is installed in operating position.
 - The catwalk is in operating position (only if winch **5 W V** is not present), see Crane operating instructions, chapter 2.06.
- ▶ Luff the D-boom **20** down to the front until the upper pulley block **15.2** hangs freely with the assembly weight **17** over the bracket **16** on the S-pivot section **1**.
 - ▶ Pin the assembly weight **17** with the brackets **16**: Insert the pins **18** on both sides on point **P18** and secure with spring retainers **19**.
 - ▶ Spool winch **3 W III** up carefully until the S-pivot section **1** is aligned horizontally.

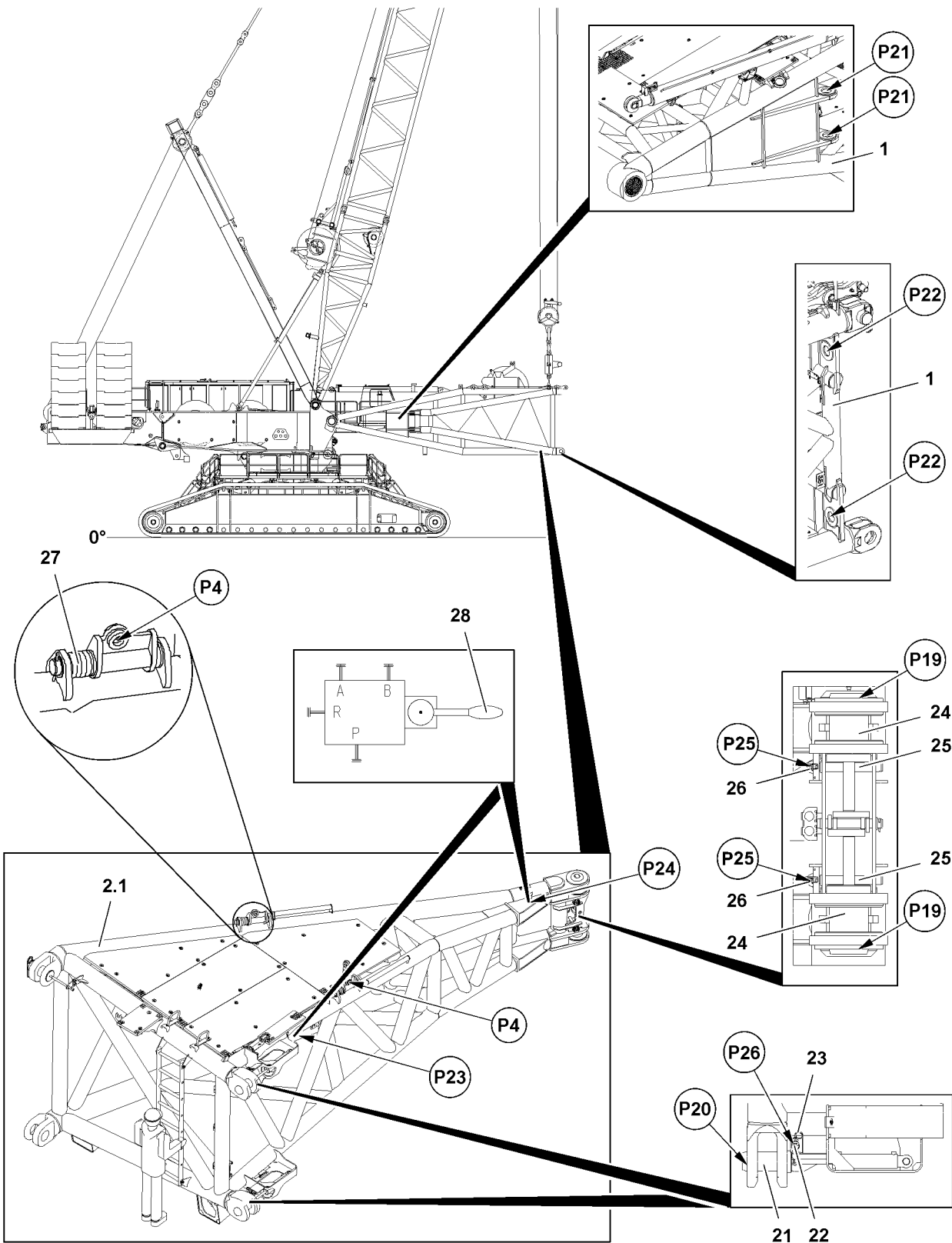


Fig.114738

3.4.5 Installing the lower P-adapters



Note

- ▶ The hydraulic supply for the assembly of the lower P-adapters **2** is made via the external hydraulic aggregate!



WARNING

Pressure in the hydraulic lines!

If the pressure supply is not interrupted before connecting / releasing the hydraulic lines, the hydraulic oil can escape with high pressure!

Personnel can be severely injured or killed!

- ▶ Release the pressure in the hydraulic system before connecting / disconnecting: Interrupt the pressure supply and wait for a short time!

Make sure that the following prerequisites are met:

- The S-pivot section **1** is horizontally aligned.
- The two pins **21** are completely unpinned on the points **P20**.
- The two pins **24** are completely unpinned on the points **P19**.
- A hydraulic aggregate is available.

The assembly is described on the example of the right, lower P-adapter **2.1**.

- ▶ Fasten the lower P-adapter **2.1** on both sides on the points **P4** and lift.
- ▶ Check if the lower P-adapter **2.1** hangs horizontally on the auxiliary crane.

Problem remedy

The lower P-adapter **2.1** does not hang horizontally on the auxiliary crane:

- ▶ Place the lower P-adapter **2.1** down.
 - ▶ With the disks **27** adjust the center of gravity so that the lower P-adapter **2.1** hangs horizontally during the lifting procedure.
 - ▶ Lift the lower P-adapter **2.1**.
-
- ▶ Position the lower P-adapter **2.1** so that the pins **24** can be pinned in points **P21**.

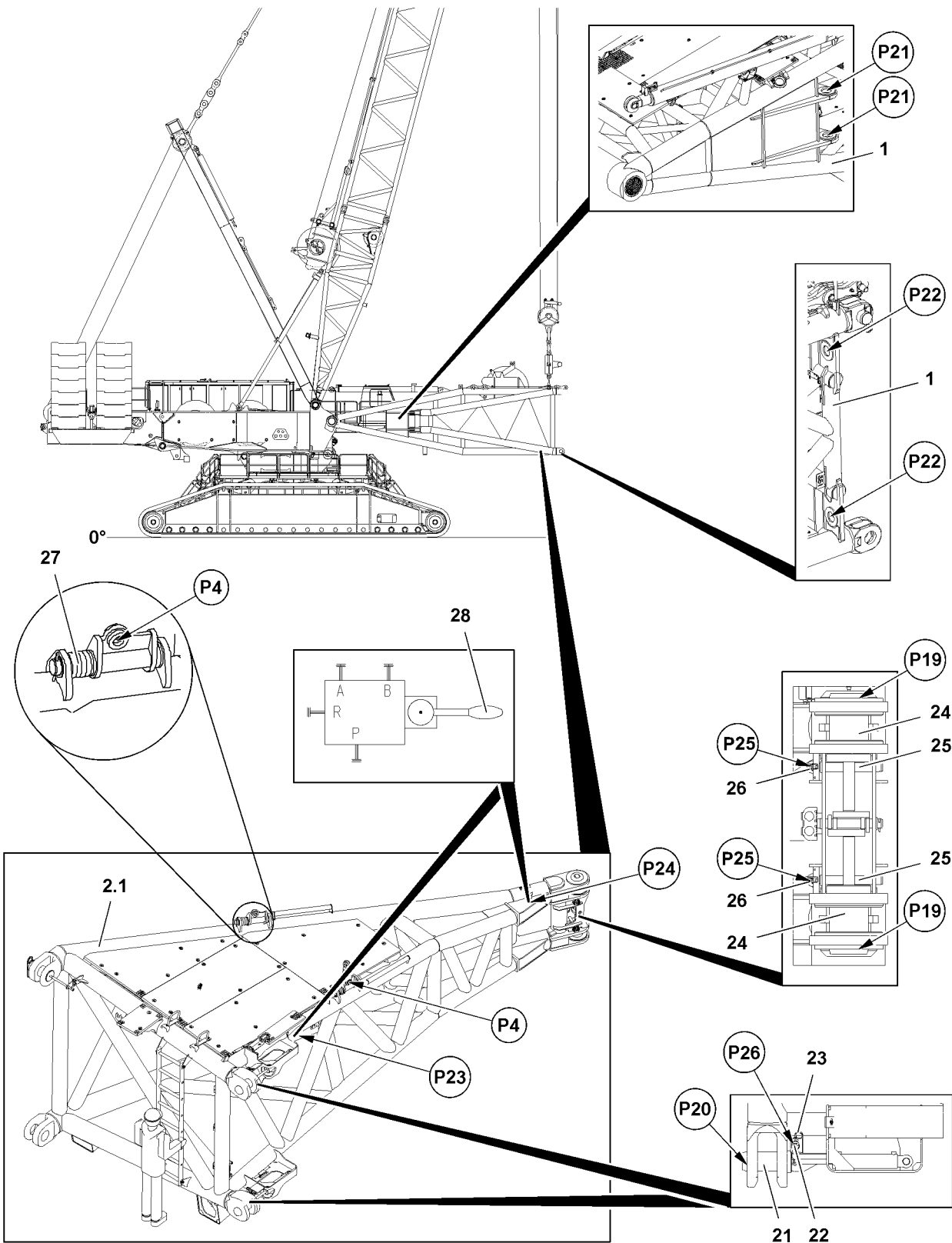


Fig.114738

- ▶ Establish the hydraulic connection on point **P24**: Connect the coupling parts (sleeve and plug) and screw together by hand until the hand nut is turned to a noticeable, fixed stop.



WARNING

General danger notes!

Personnel can be severely injured or killed!

- ▶ All pins **24** are to be secured after assembly of the lattice sections with the intended safety elements **25**!
-
- ▶ Actuate the hand lever **28** until the pins **24** are completely pinned.
 - ▶ Take both retaining pins **25** from the retainer.
 - ▶ Insert the retaining pins **25** on points **P25** and secure with locking pins **26**.
 - ▶ Disconnect the hydraulic connection on point **P24**: Install the coupling components (sleeve and plug) with the hand-tightened nut.
 - ▶ Install dust caps on the quick couplings.
 - ▶ Fold the lower P-adapter **2.1** on the S-pivot section **1** so that the pins **21** can be pinned on points **P22**.
 - ▶ Establish the hydraulic connection on point **P23**: Connect the coupling parts (sleeve and plug) and screw together by hand until the hand nut is turned to a noticeable, fixed stop.
 - ▶ Actuate the hand lever **28** until the pins **21** are completely pinned.
 - ▶ Take both retaining pins **22** from the retainer.
 - ▶ Insert the retaining pins **22** on points **P26** and secure with locking pins **23**.
 - ▶ Disconnect the hydraulic connection on point **P23**: Install the coupling components (sleeve and plug) with the hand-tightened nut.
 - ▶ Install dust caps on the quick couplings.
 - ▶ Remove the auxiliary crane.
 - ▶ Install the left, lower P-adapter **2.2** the same way as described in this section.

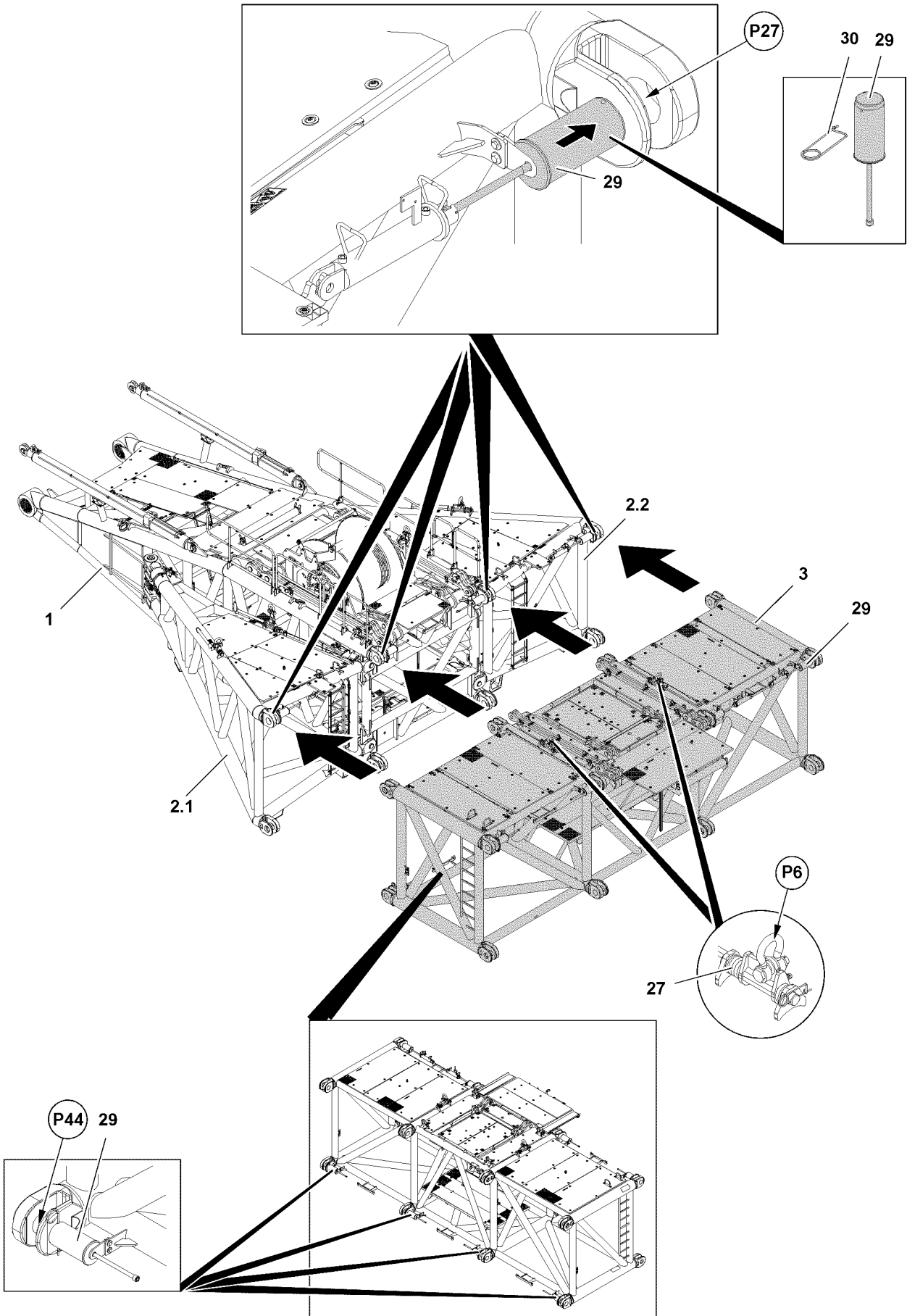


Fig.117198

LWE/LR 11350-005/19004-04-02/en

3.4.6 Installing the cross carrier



Note

- ▶ If the crane is to be operated with a boom nose after boom assembly, then winch 6 must be installed in the cross carrier!

Make sure that the following prerequisites are met:

- The P-adapter **2.1** and P-adapter **2.2** are properly installed on the S-pivot section **1**.
- The S-pivot section **1** is horizontally aligned.
- The four pins **29** are completely unpinned on position **P44**.
- The four pins **29** are completely unpinned on position **P27**.
- A hydraulic aggregate is available.

- ▶ Fasten the cross carrier **3** on both sides on the points **P6** and lift.
- ▶ Check if the cross carrier **3** hangs horizontally on the auxiliary crane.

Problem remedy

The cross carrier **3** does not hang horizontally on the auxiliary crane:

- ▶ Place the cross carrier **3** down.
- ▶ With the disks **27** adjust the center of gravity so that the cross carrier **3** hangs horizontally during the lifting procedure.
- ▶ Lift the cross carrier **3**.

- ▶ Position the cross carrier **3** so that the pins **29** can be pinned in points **P27**.



Note

- ▶ The pinning or unpinning is carried out with the pin pulling device, see Crane operating instructions, chapter 5.30!



WARNING

General danger notes!

Personnel can be severely injured or killed!

- ▶ All pins **29** are to be secured after assembly of the lattice sections with the intended safety elements **30**!
- ▶ Pin the cross carrier **3** with the lower P-adapters **2** and with the S-pivot section **1**: Insert all four pins **29** on points **P27** and secure each with spring retainers **30**.
- ▶ Place the cross carrier **3** on the support base:
- ▶ Remove the auxiliary crane.

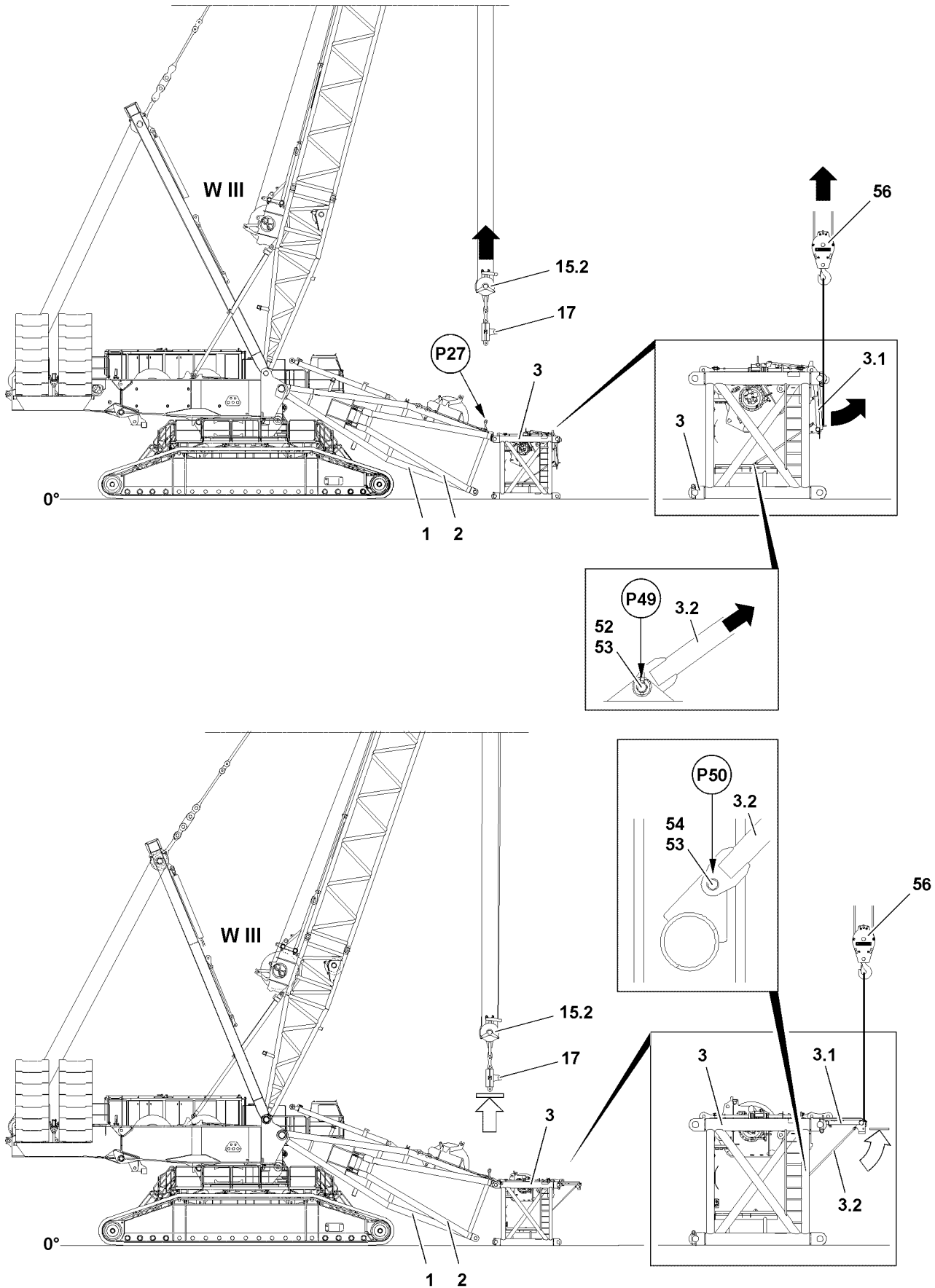


Fig.117201

LWE/LR 11350-005/19004-04-02/en

3.4.7 Removing the upper pulley block on the S-pivot section

Make sure that the following prerequisites are met:

- The cross carrier is properly installed on the S-pivot section and the lower P-adapters.
- The S-pivot section is lowered.
- The cross carrier is laying on the support on the ground.



WARNING

Danger of accident due to swaying upper pulley block!

- ▶ Make sure that the upper pulley block hangs exactly vertically before unpinning on the S-pivot section.
- ▶ Remove the upper pulley block **15.2** with the assembly weight **17** at point **P27**.
- ▶ Lift the upper pulley block **15.2** with the assembly weight **17** past the assembly range.

3.4.8 Bringing the platform on the cross carrier into operating position

Make sure that the following prerequisites are met:

- The upper pulley block is removed on the S-pivot section.
- The upper pulley block is raised.
- ▶ Attach the platform **3.1** on the auxiliary crane **56**.
- ▶ Release pins **52** on both sides at point **P49** and unpin!
- ▶ Lift the platform **3.1** with the auxiliary crane to the horizontal.

When the platform **3.1** is in operating position:

- ▶ Pin the supports **3.2** on both sides at point **P50** and secure.

When the platform is properly pinned and secured:

- ▶ Remove the auxiliary crane.

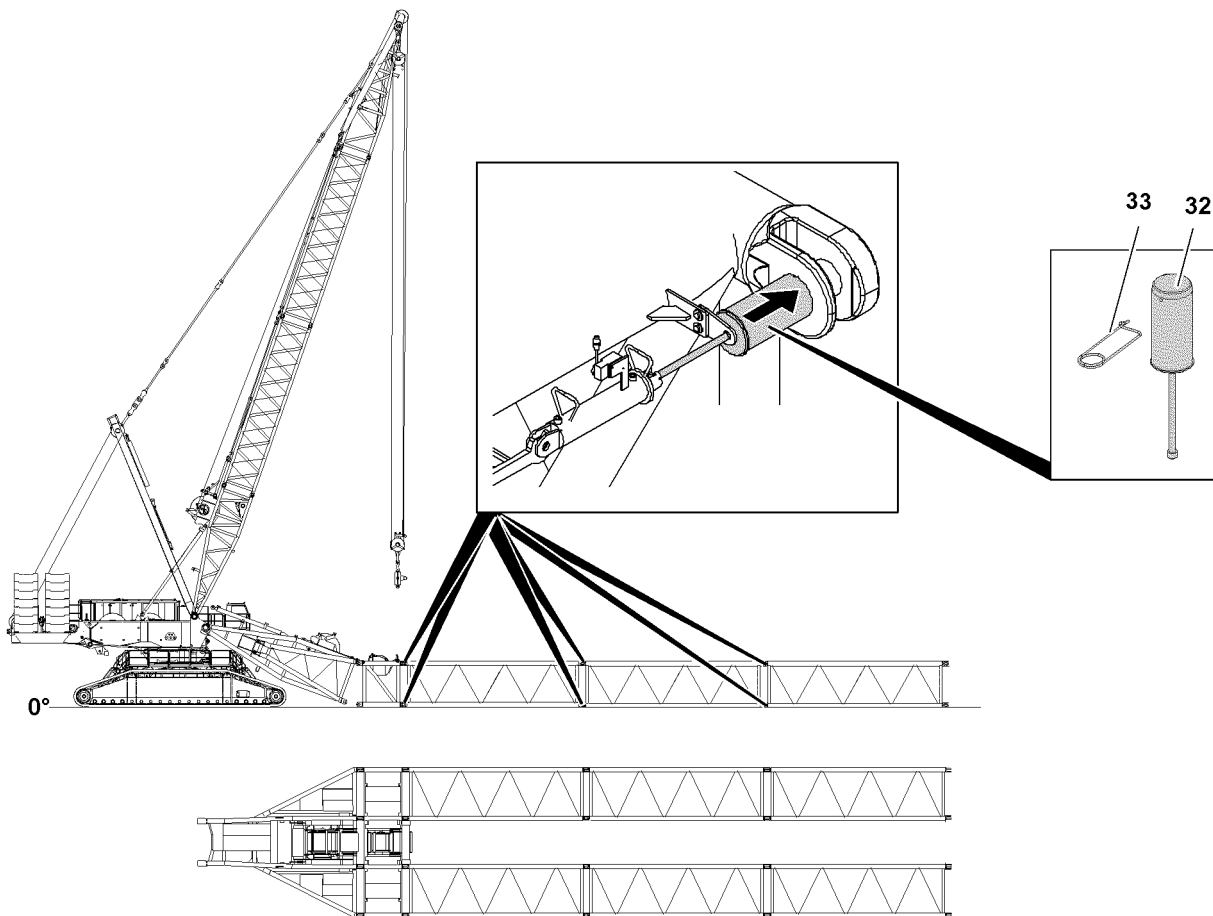
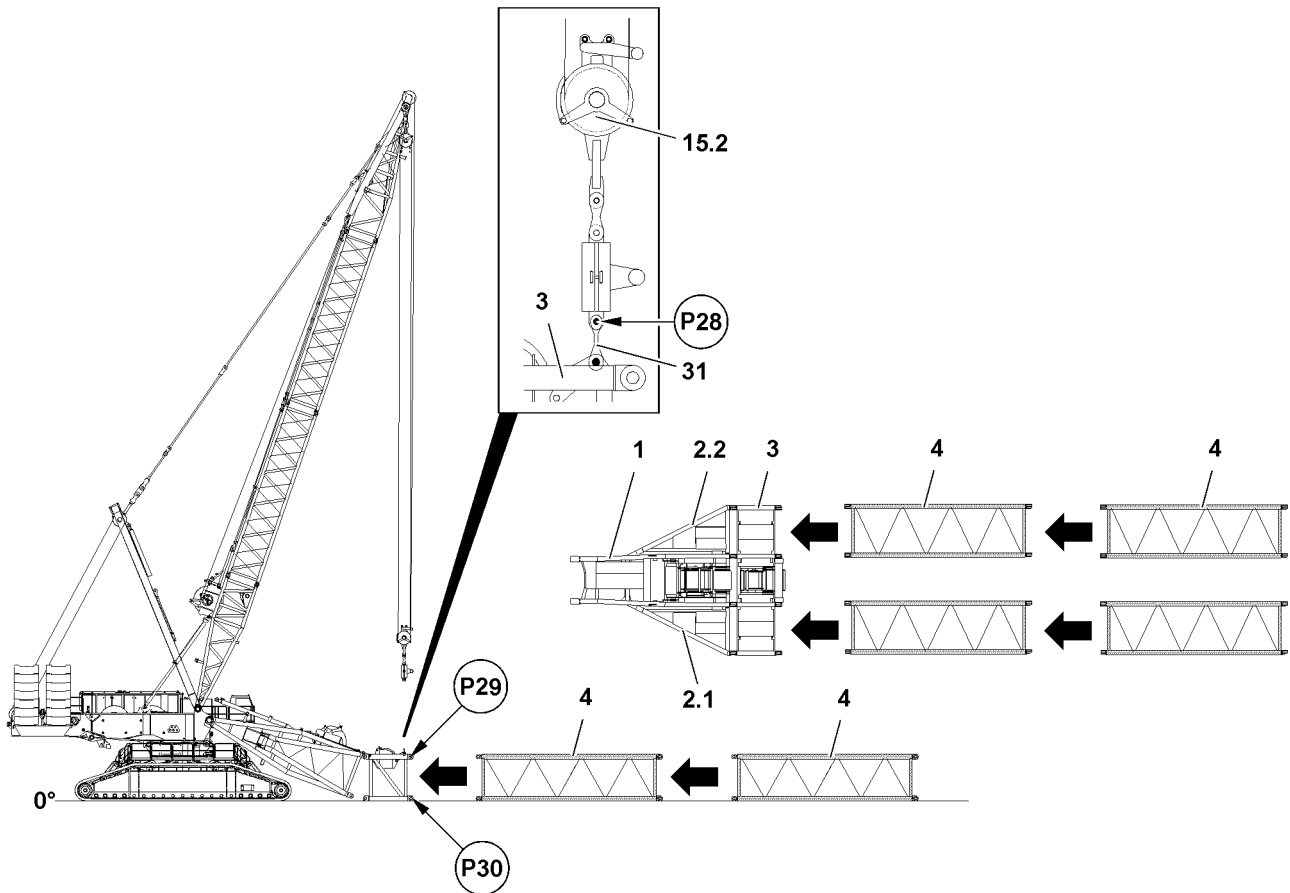


Fig.117199

LWE/LR 11350-005/19004-04-02/en

3.4.9 Installing the S-intermediate sections parallel on the cross carrier

Make sure that the following prerequisites are met:

- The cross carrier **3** is pinned and secured with the lower P-adapters - P-adapter **2.1** and P-adapter **2.2** - and the S-pivot section **1**.
- The cross carrier **3** is placed completely on a support on the ground.
- The upper pulley block **15.2** is pinned and secured with the bracket **31** on the guy point **P28**.



Note

- ▶ Observe the arrangement of the intermediate sections of the boom system, see Crane operating instructions, chapter 5.03!



Note

- ▶ The S-intermediate sections **4** are pinned with the pin pulling device, see Crane operating instructions, chapter 5.30!
- ▶ Support the S-intermediate sections **4** from below for easier assembly / disassembly!



WARNING

General danger notes!

Personnel can be severely injured or killed!

- ▶ All pins **32** are to be secured after assembly of the S-intermediate sections **4** with the intended safety elements **33**!

The S-intermediate sections **4** must be pinned on both sides of the cross carrier **3** on points **P29** and points **P30**.

- ▶ Attach the S-intermediate sections **4** on the auxiliary crane and align on the cross carrier **3**, see section „Fastening points of the lattice sections“.

When the pin bores on the respective side on the cross carrier **3** and on the S-intermediate section **4** align „on top“ (point **P29**):

- ▶ Pin the S-intermediate section **4** with the cross carrier **3**: Insert the pin **32** on point **P29** with the pin pulling device from the „inside“ to the „outside“ and secure with spring retainer **33**.
- ▶ Lower the S-intermediate section **4** with the auxiliary crane until it can be pinned on point **P30**.
- ▶ Pin the S-intermediate section **4** with the cross carrier **3**: Insert the pin **32** with the pin pulling device from the „inside“ to the „outside“ and secure with spring retainer **33**.

Assemble the parallel section of the main boom to the required length and pin and secure the S-intermediate sections **4** „on top“ and „bottom“.

- ▶ Insert the pin **32** with the pin pulling device from the „inside“ to the „outside“ and secure with spring retainer **33**.
- ▶ Remove the auxiliary crane.

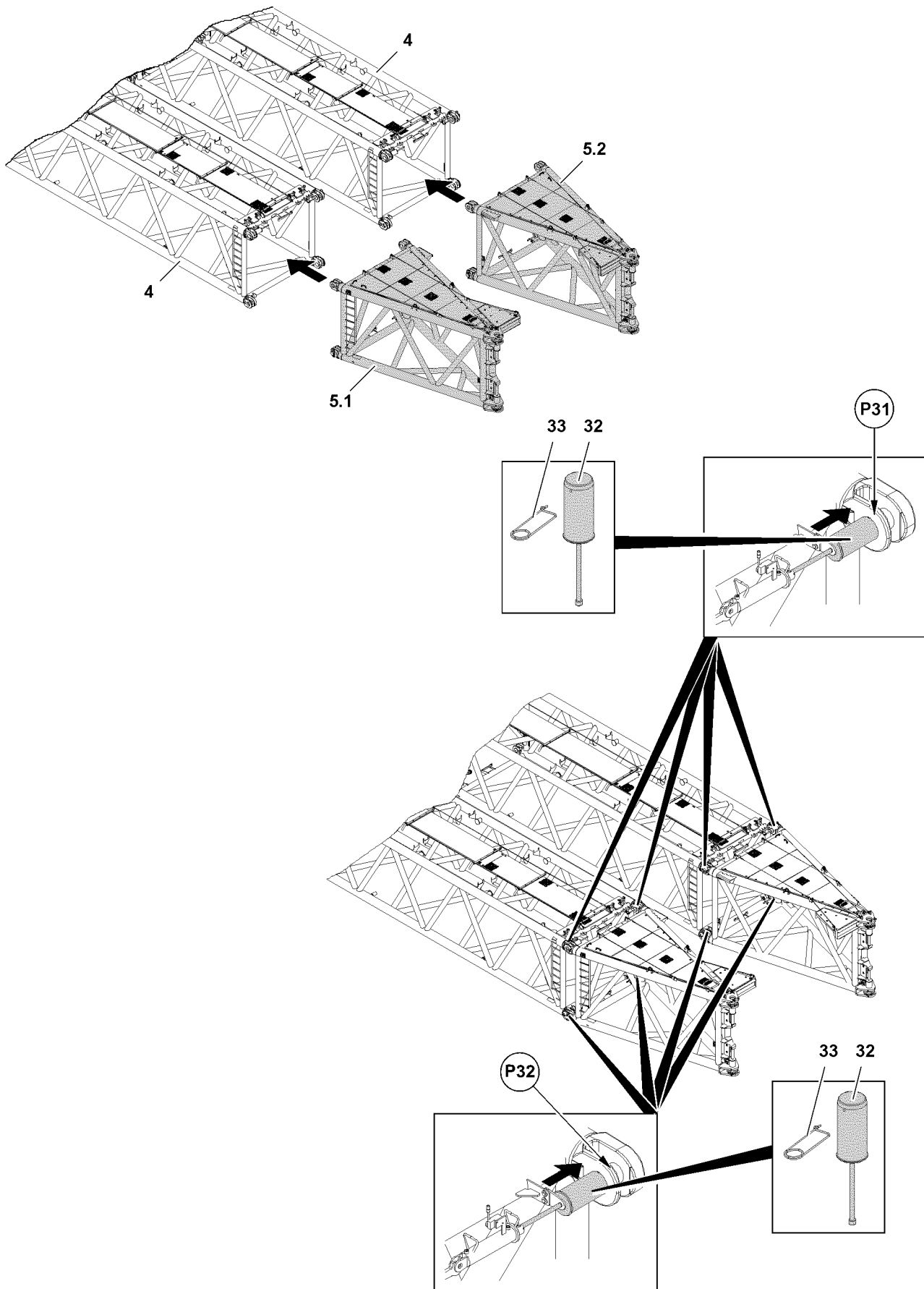


Fig.114589

LWE/LR 11350-005/19004-04-02/en

3.4.10 Installing the upper P-adapters

Make sure that the following prerequisites are met:

- The parallel part of the main boom is installed from S-intermediate sections 4 to the required length.
- All S-intermediate sections 4 are pinned together and secured.



Note

- ▶ The upper P-adapters 5 are pinned with the pin pulling device, see Crane operating instructions, chapter 5.30!



WARNING

General danger notes!

Personnel can be severely injured or killed!

- ▶ All pins 32 are to be secured after assembly of the S-intermediate sections 4 with the intended safety elements 33!

On both lattice sections of S-intermediate sections 4, install respectively an upper P-adapter 5 (left: upper P-adapter 5.2, right: upper P-adapter 5.1).

- ▶ Attach the upper P-adapter 5 on the auxiliary crane and align on the S-intermediate section 4, see section „Fastening points of the lattice sections“.

When the pin bores of the upper P-adapter 5 align on point P31 with those of the S-intermediate section 4:

- ▶ Pin the upper P-adapter 5 with the S-intermediate section 4: Insert the pin 32 on point P31 with the pin pulling device from the „inside“ to the „outside“ and secure with spring retainer 33.
- ▶ Lower the upper P-adapter 5 with the auxiliary crane until it can be pinned on point P32.
- ▶ Pin the upper P-adapter 5 with the S-intermediate section 4: Insert the pin 32 with the pin pulling device from the „inside“ to the „outside“ and secure with spring retainer 33.
- ▶ Remove the auxiliary crane.

3.4.11 Installing the cross beam

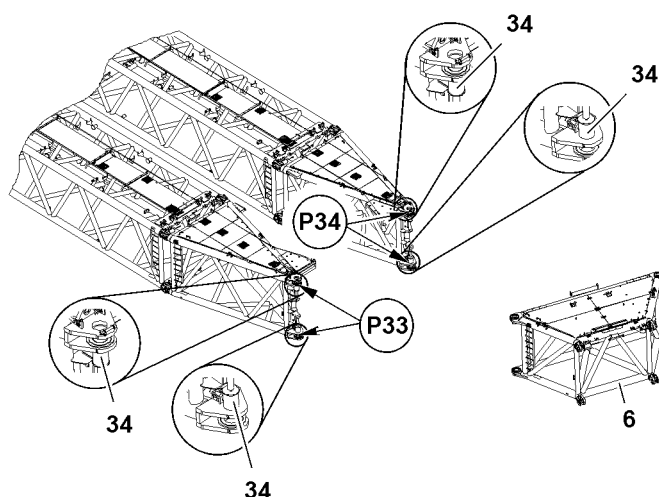


Fig.114590: Installing the cross beam

**Note**

- ▶ The hydraulic supply for the assembly of the cross beam is made via the external hydraulic aggregate!

**WARNING**

Pressure in the hydraulic lines!

If the pressure supply is not interrupted before connecting / releasing the hydraulic lines, the hydraulic oil can escape with high pressure!

Personnel can be severely injured or killed!

- ▶ Release the pressure in the hydraulic system before connecting / disconnecting: Interrupt the pressure supply and wait for a short time!

Make sure that the following prerequisites are met:

- The two upper P-adapters are properly installed.
- The lattice sections are aligned in such a way that the cross beam **6** can be installed.
- The pins **34** are completely unpinned on the points **P33**.
- The pins **34** are completely unpinned on the points **P34**.

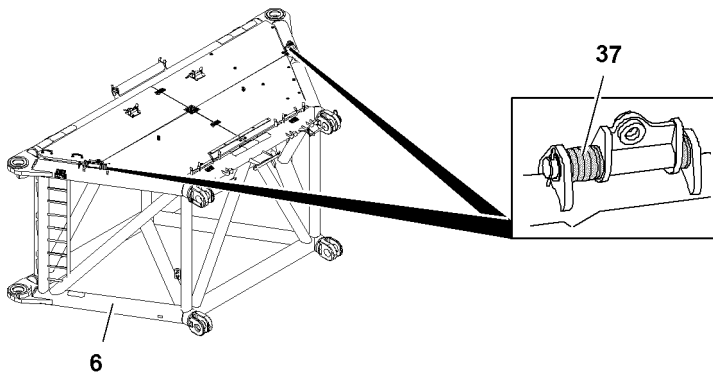


Fig.114591: Install - fasten the cross beam

- ▶ Fasten the cross beam **6** on the auxiliary crane and lift, see section „Fastening points of the lattice sections“.
- ▶ Check if the cross beam **6** hangs horizontally on the auxiliary crane.

Problem remedy

The cross beam **6** does not hang horizontally on the auxiliary crane:

- ▶ Place the cross beam down **6**.
- ▶ With the disks **37** adjust the center of gravity so that the cross beam **6** hangs horizontally during the lifting procedure.
- ▶ Lift the cross beam **6**.

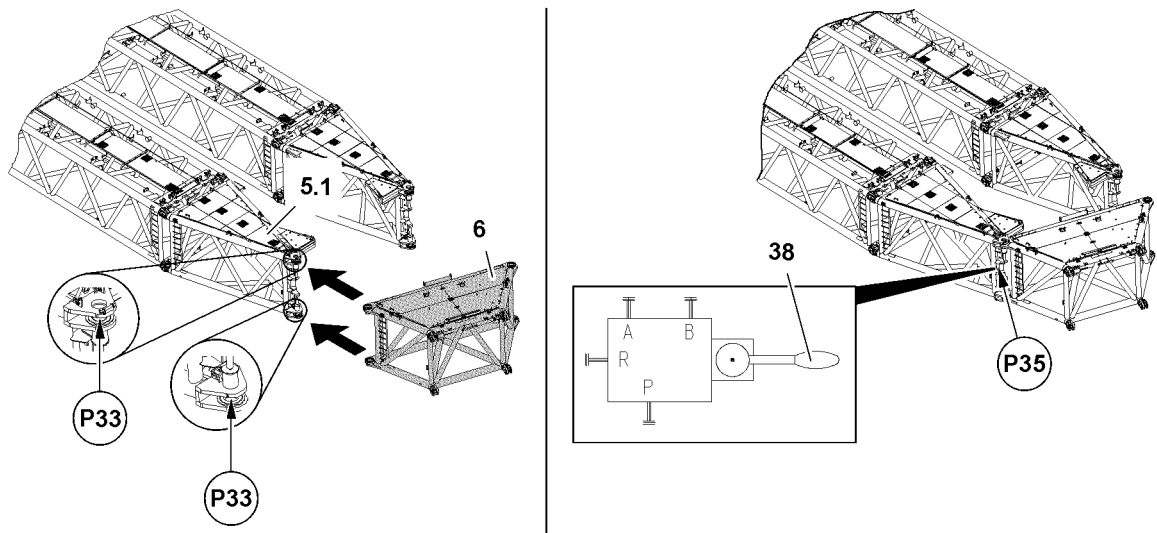


Fig.114592: Install the cross beam - position the cross beam on the right

- ▶ Lift the cross beam **6** with the auxiliary crane on the right upper P-adapter **5.1**.
- ▶ Position the cross beam **6** with the auxiliary crane in such a way that it can be pinned on points **P33**.
- ▶ Establish the hydraulic connection on point **P35**: Connect the coupling parts (sleeve and plug) and screw together by hand until the hand nut is turned to a noticeable, fixed stop.

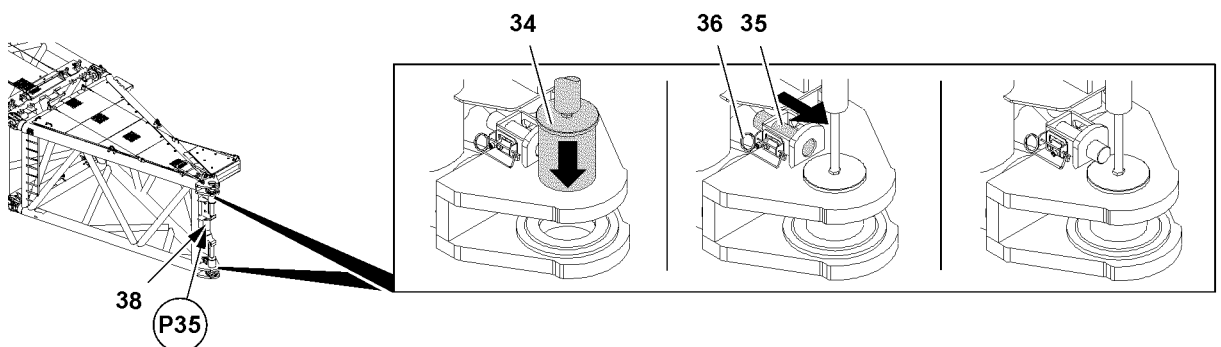


Fig.114593: Install the cross beam - pin the cross beam on the right



WARNING

General danger notes!

Personnel can be severely injured or killed!

- ▶ All pins **34** are to be secured after assembly of the cross beam **6** with the intended safety elements **35**!
 - ▶ Actuate the hand lever **38** until the pins **34** are completely pinned.
- All pins **34** must be secured after pinning.
- ▶ Release the retaining pin **35**.
 - ▶ Slide the retaining pin **35** out to the stop and lock the screw in place „downward“.
 - ▶ Secure the retaining pin **35** with spring retainer **36**.

Result:

- The pins **34** are secured.
- ▶ Disconnect the hydraulic connection on point **P35**: Install the coupling components (sleeve and plug) with the hand-tightened nut.

- ▶ Install dust caps on the quick couplings.

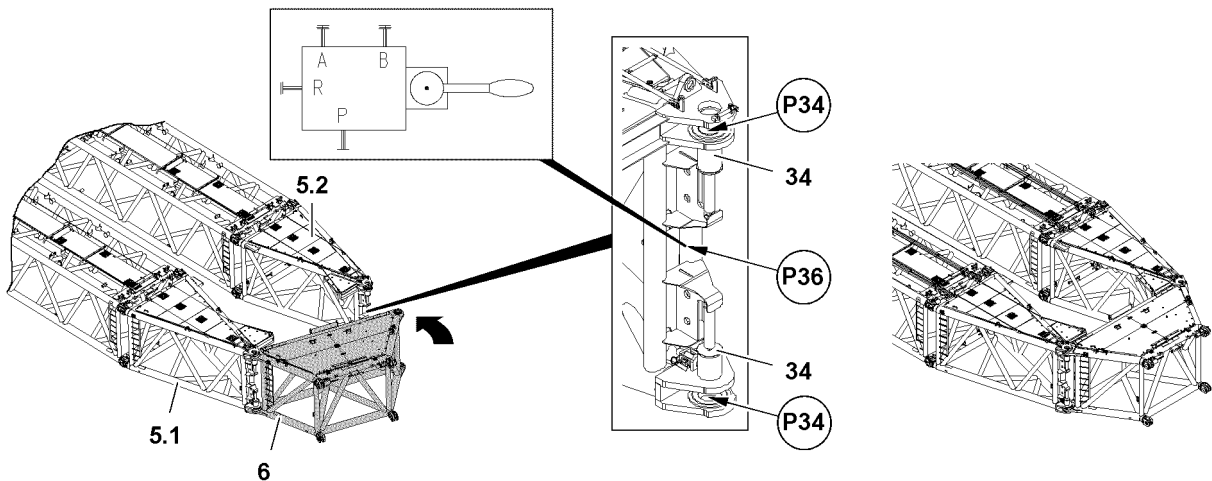


Fig.114594: Install the cross beam - position the cross beam on the left

- ▶ Fold the cross beam 6 with the auxiliary crane on the left, upper P-adapter 5.2 so that it can be pinned on the points P34.
- ▶ Establish the hydraulic connection on point P36: Connect the coupling parts (sleeve and plug) and screw together by hand until the hand nut is turned to a noticeable, fixed stop.

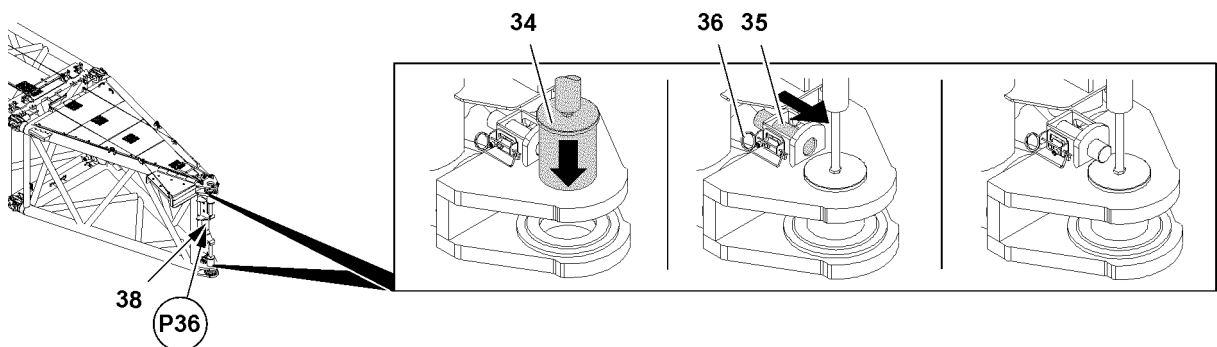


Fig.114595: Install the cross beam - pin the cross beam on the left



WARNING

General danger notes!

Personnel can be severely injured or killed!

- ▶ All pins 34 are to be secured after assembly of the cross beam 6 with the intended safety elements 35!

- ▶ Actuate the hand lever 38 until the pins 34 are completely pinned.

The pins 34 must be secured after pinning.

- ▶ Release the retaining pin 35.
- ▶ Slide the retaining pin 35 out to the stop and lock the screw in place „downward“.
- ▶ Secure the retaining pin 35 with spring retainer 36.

Result:

- The pins 34 are secured.
- ▶ Disconnect the hydraulic connection on point P36: Install the coupling components (sleeve and plug) with the hand-tightened nut.

- ▶ Install dust caps on the quick couplings.
- ▶ Remove the auxiliary crane.

3.4.12 Installing the lattice sections on the cross beam

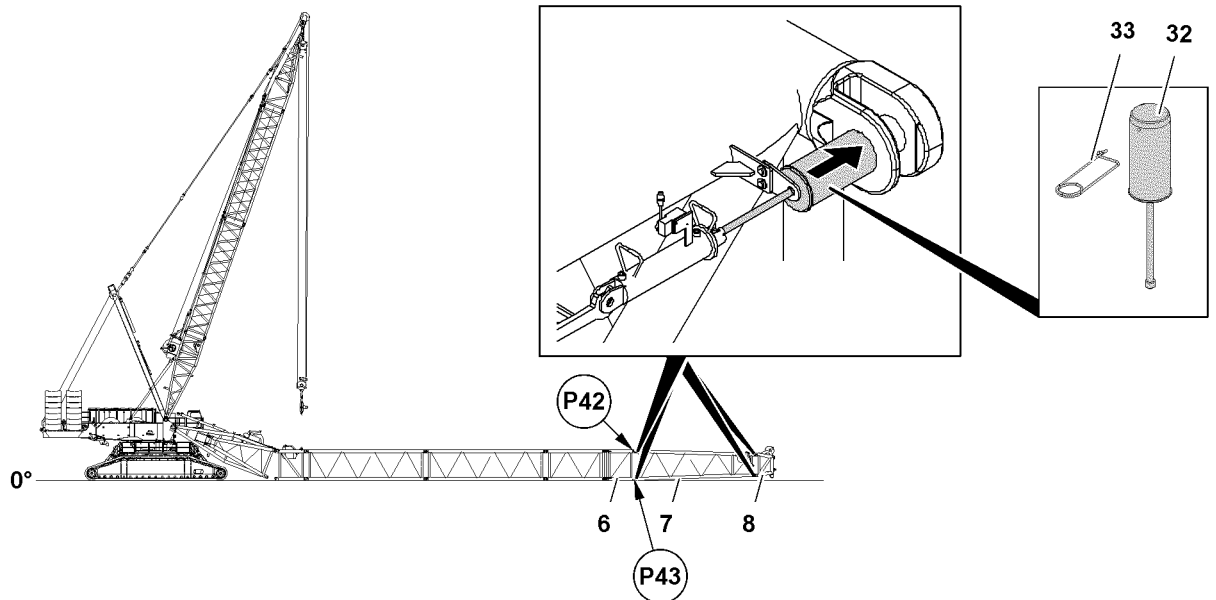


Fig.117450: Install the lattice section on the cross beam - install the lattice sections

Make sure that the following prerequisites are met:

- The cross beam **6** is properly pinned and secured on both upper P-adapters **5**.
- The required bridges and pedestals are installed on the lattice sections.



Note

- ▶ The S-intermediate sections **4**, the S-adapter **7** and the SW-end section **8** are pinned with the pin pulling device, see Crane operating instructions, chapter 5.30!
- ▶ Support the lattice section from below for easier assembly / disassembly!



WARNING

General danger notes!

Personnel can be severely injured or killed!

- ▶ All pins **32** are to be secured after assembly of the lattice sections with the intended safety elements **33**!

- ▶ Fasten the lattice section on the auxiliary crane and lift, see section „Fastening points of the lattice sections“.
- ▶ Align the lattice section on the cross beam **6**.

When the pin bores of the cross beam **6** and the lattice section align „on top“ on point **P42**:

- ▶ Pin the lattice section with the cross beam **6**: Insert the pin **32** on point **P42** with the pin pulling device from the „inside“ to the „outside“ and secure with spring retainer **33**.
- ▶ Lower the lattice section with the auxiliary crane until it can be pinned on point **P43**.
- ▶ Pin the lattice section with the cross beam **6**: Insert the pin **32** on point **P43** with the pin pulling device from the „inside“ to the „outside“ and secure with spring retainer **33**.

Assemble the main boom to the required length and pin and secure the lattice sections „on top“ and „bottom“.

- ▶ Insert the pin **32** from the „inside“ to the „outside“ and secure with spring retainer **33**.

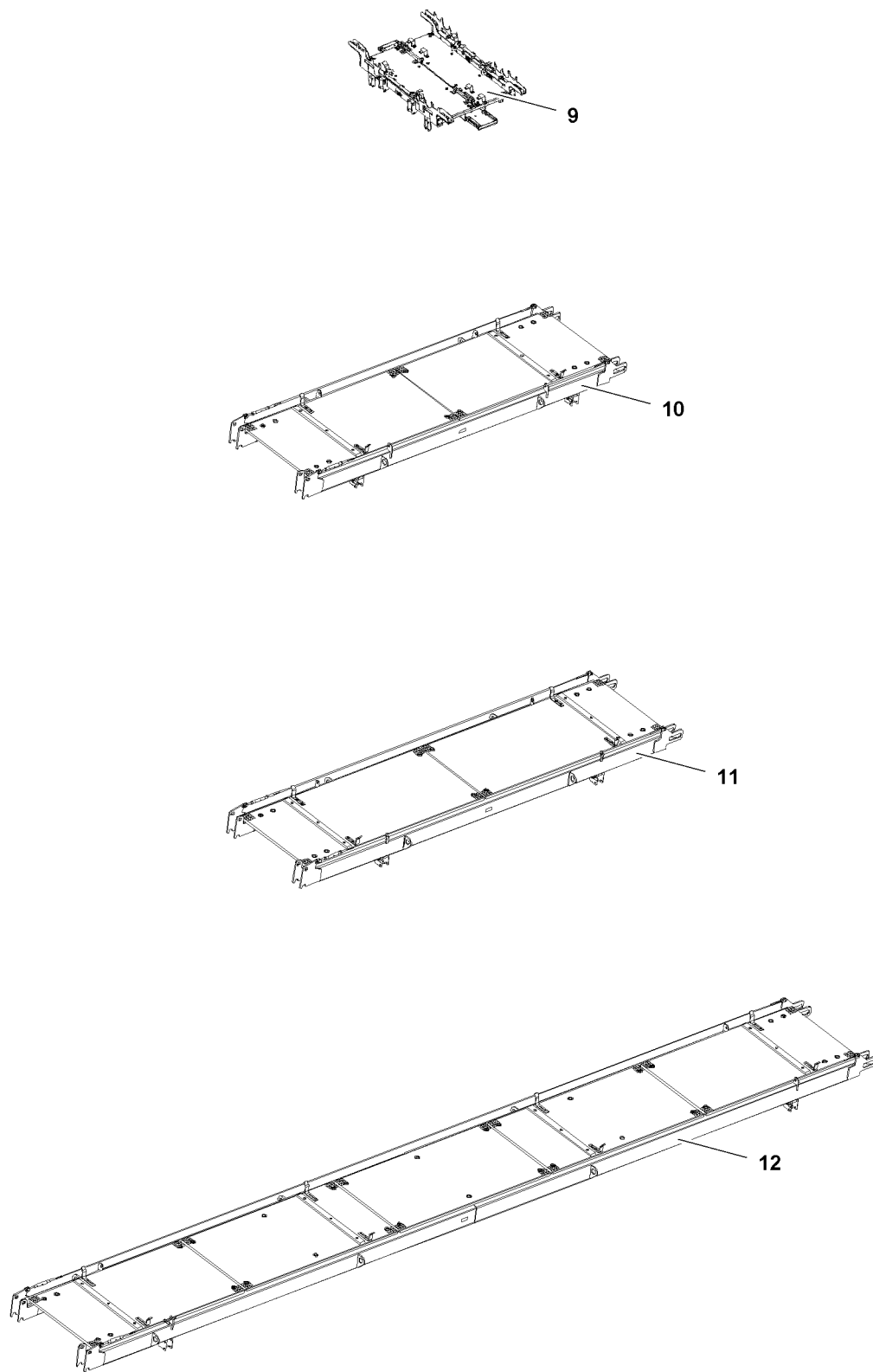


Fig.117313

LWE/LR 11350-005/19004-04-02/en

3.5 Assembly of bridges



Note

- ▶ The following descriptions are an example for the installation of all bridges!
- ▶ The number of bridges used varies, depending on the main boom length, check the rod plan!



WARNING

Danger of falling!

- ▶ Make sure that the assembly personnel is secured with the supplied fall arrest system to prevent them from falling when installing the bridges.

Make sure that the following prerequisite is met:

- The cross beam is properly pinned and secured on both upper P-adapters.

3.5.1 Individual assembly of bridges

Assembly of bridges „lateral“

- ▶ Fasten the bridge „lateral“ 9 on the auxiliary crane and lift, see section „Fastening points of the lattice sections“.

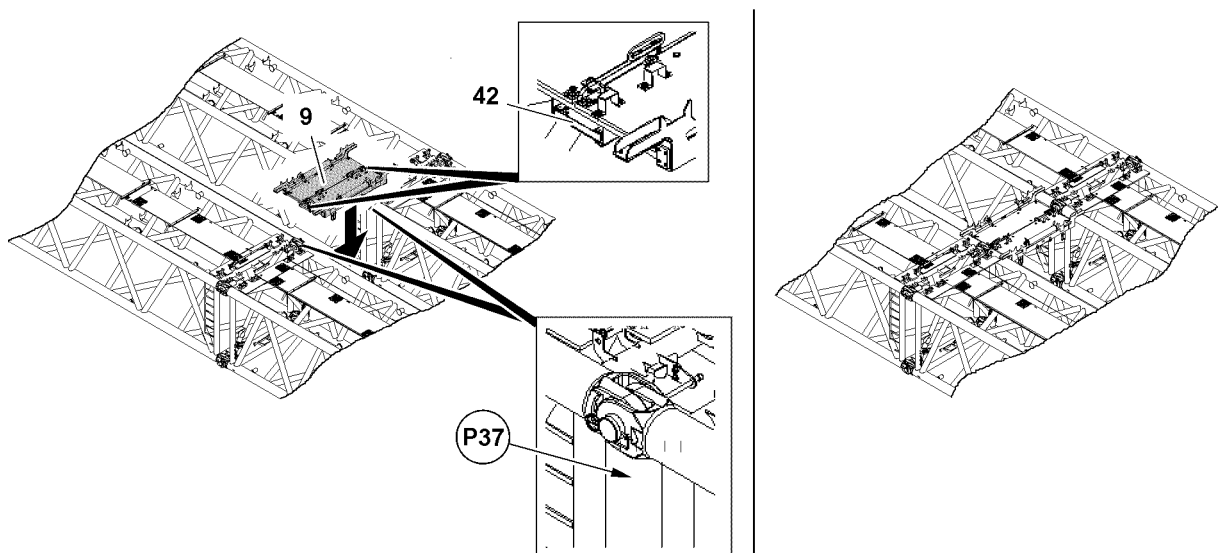


Fig.114596: Position the bridge „lateral“ — Install the bridge „lateral“

- ▶ Position the bridge 9 in such a way that the sliding section 42 can be extended between the lattice sections on point P37.

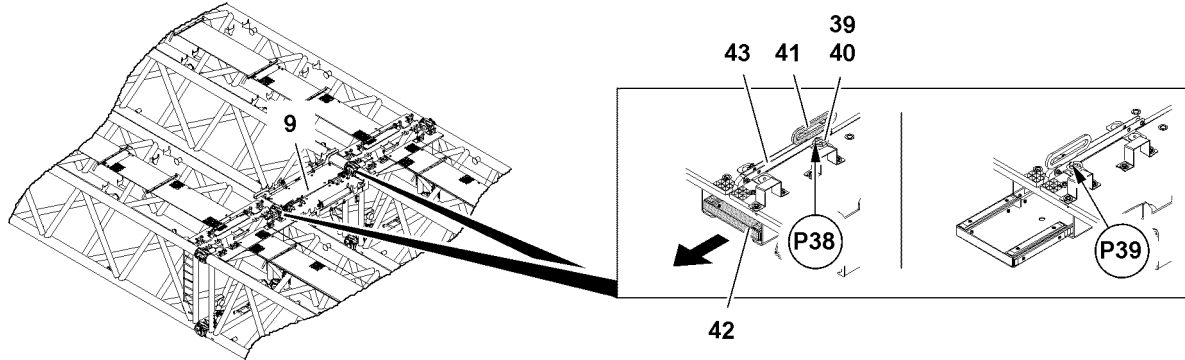


Fig.114597: Install the bridge „lateral“ — Secure the bridge „lateral“

The bridge **9** must be secured after placing it on **both** lattice sections to prevent it from slipping. To do so, the sliding section **42** must be brought from transport position into operating position. This procedure is described on an example of one side.

- ▶ Unpin the handle **41** of the sliding section **42** on the guide bar **43**: Release and unpin the grip pin **39** on point **P38**.
- ▶ Bring the sliding section **42** from transport position into operating position: Slide the sliding section **42** out completely with the handle **41**.
- ▶ Pin the handle **41** of the sliding section **42** with the guide bar **43**: Insert the grip pin **39** on point **P39** and secure with locking pin **40**.
- ▶ Secure the opposite side of the bridge **9** the same way as described in this section to prevent it from slipping.

Result:

- The bridge **9** is secured to prevent it from slipping.
- ▶ If necessary: Install additional bridges „lateral“ as specified.

Empty page!

LWE/LR 11350-005/19004-04-02/en

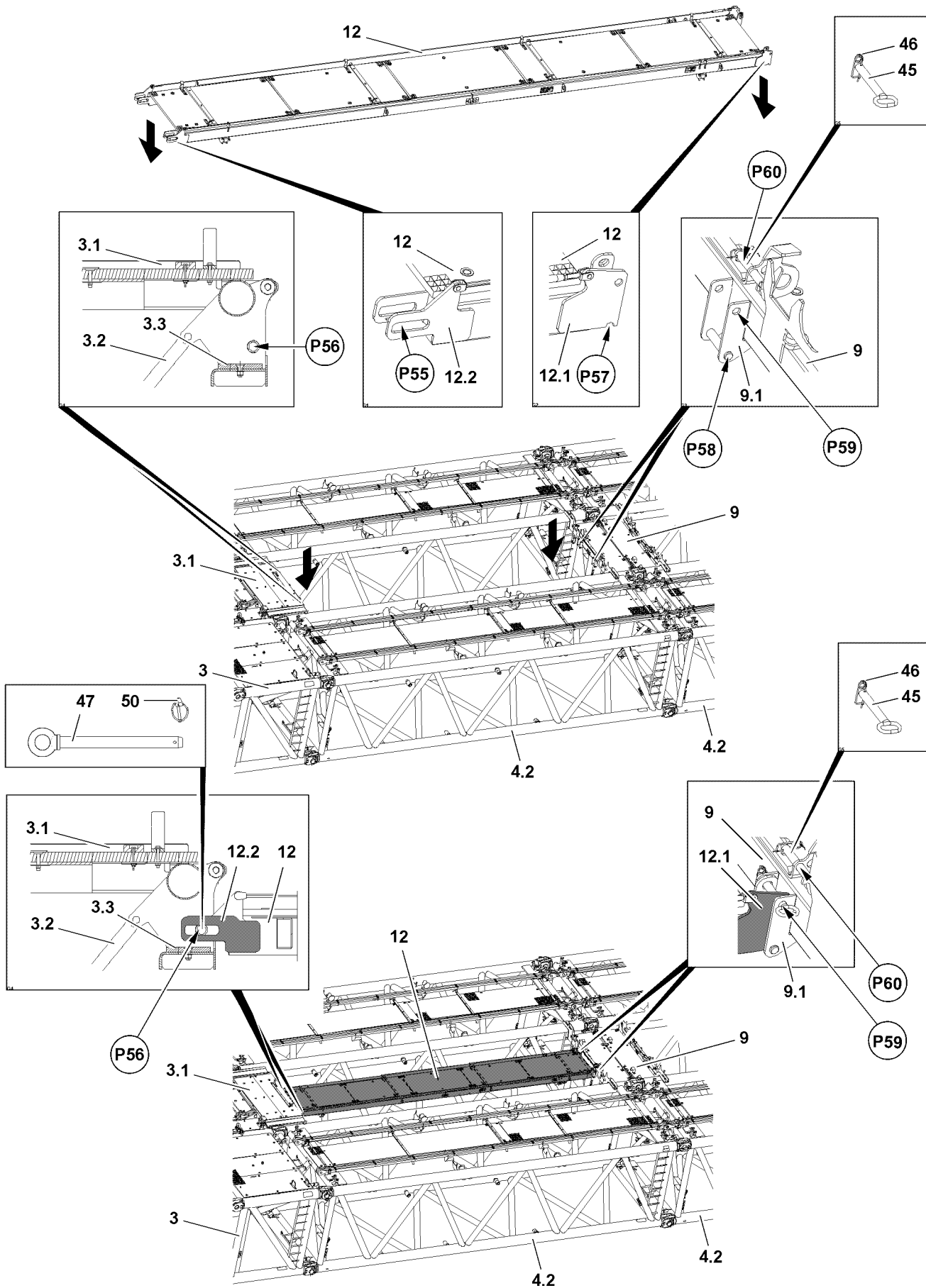


Fig.117204

LWE/LR 11350-005/19004-04-02/en

Assembly of bridges „lengthwise“



Note

- ▶ The assembly of all bridges „lengthwise“ is identical.
- ▶ The assembly of the bridges „lengthwise“ is described on the example of one bridge „lengthwise“.
- ▶ We recommend to install the bridges „lengthwise“ - starting on the platform **3.1**.

Make sure that the following prerequisites are met:

- The platform **3.1** is properly installed and secured.
- The bridges „lateral“ **9** are properly installed and secured on the P-boom.
- ▶ Attach the bridge „lengthwise“ **12** properly on the auxiliary crane, see section Fastening points.
- ▶ Unpin pins **47** on both sides at point **P56**.
- ▶ Lift the bridge „lengthwise“ **12** with the auxiliary crane and swing it in to the installation position on the P-boom.



Note

- ▶ Pay attention to the installation position of the bridge „lengthwise“!

- ▶ Move the bridge „lengthwise“ **12** in the receptacles on the platform at point **P56**.
- ▶ Lower the bridge „lengthwise“ **12** with the centering brackets **12.1** on the centering pins at point **P58**.

Pin the bridge „lengthwise“ **12** on both sides at point **P59**.

- ▶ Unpin the pin **45** from park position at point **P60**.
- ▶ Insert and secure the pin **45** at point **P59**.
- ▶ Pin the bridge „lengthwise“ **12** on both sides at point **P56**.
- ▶ Secure the pin **47** with linch pin **50**.

Result:

- The bridge „lengthwise“ **12** is pinned and secured with platform **3.1** and bridge „lateral“ **9** - Operating position.
- ▶ Install additional bridges „lengthwise“ **12** as described above between the bridges „lateral“ **9**.

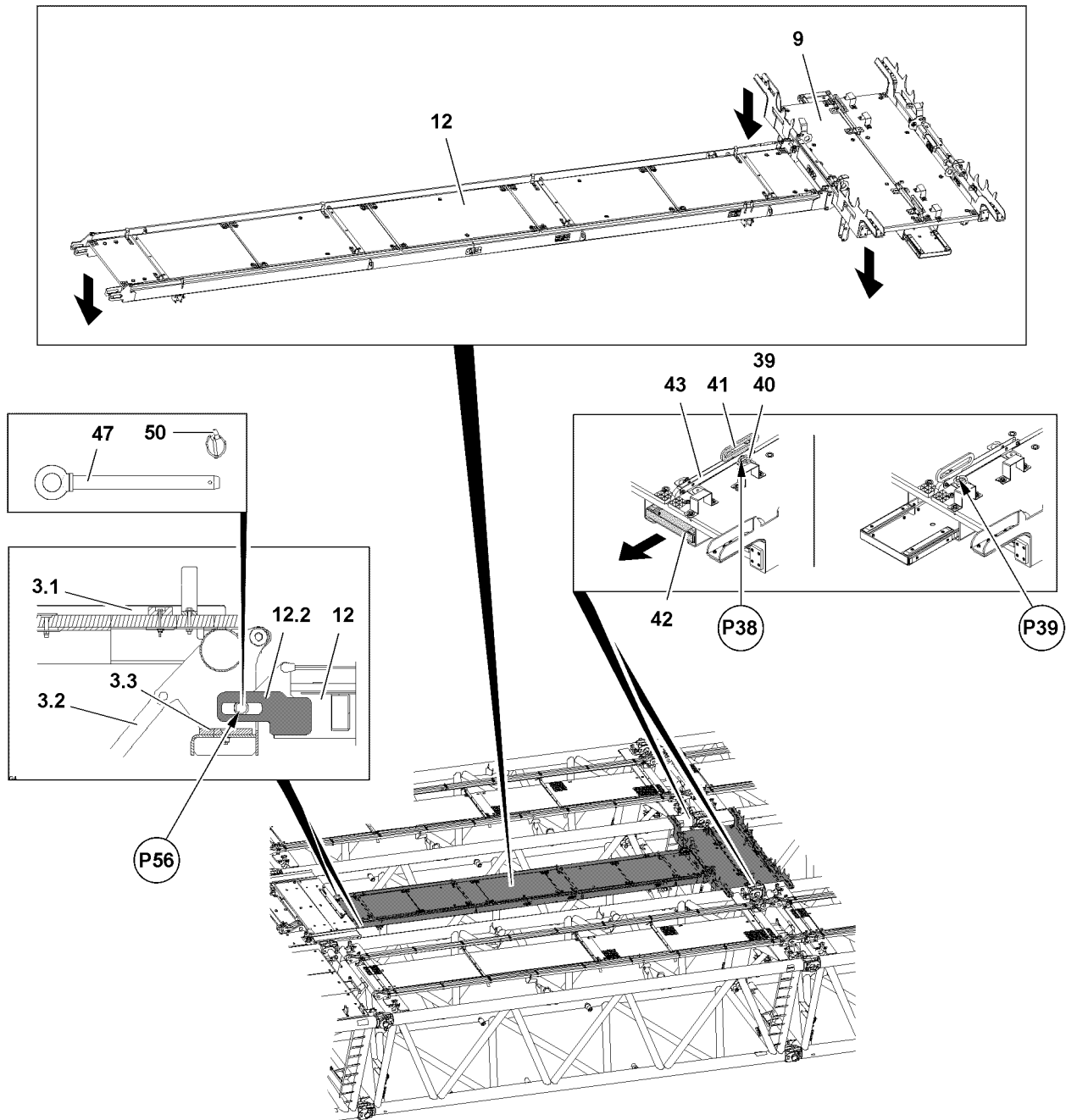


Fig.117311

3.5.2 Installation of preassembled bridges



Note

- ▶ The assembly of all preassembled bridges is identical.
- ▶ The assembly of the preassembled bridges is described on the example of one bridge.



WARNING

Danger of accident!

- ▶ Make sure that the installation of preassembled bridges is started on the platform **3.1**.

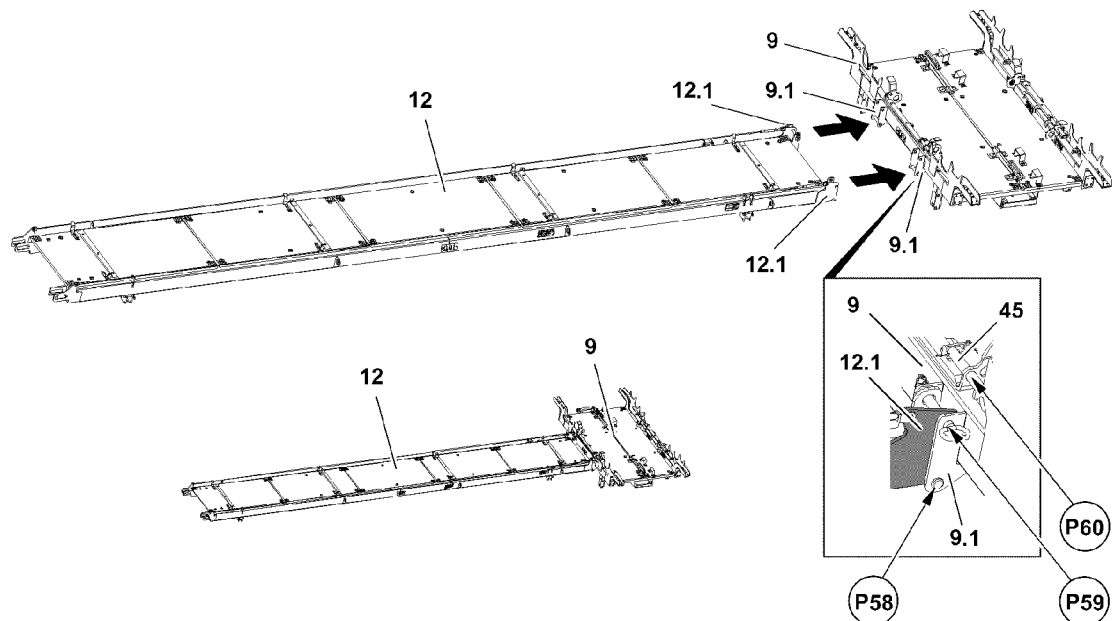


Fig.117310

Preassembling the bridge „lengthwise“ and bridge „lateral“

Make sure that the following prerequisites are met:

- An auxiliary crane is on hand.
- ▶ Place the bridge „lateral“ **9** with the auxiliary crane on the support on the ground.
- ▶ Remove the fastening equipment on the bridge „lateral“.
- ▶ Fasten the bridge „lengthwise“ **12** on the auxiliary crane.
- ▶ Swing the bridge „lengthwise“ **12** with the auxiliary crane in to the bridge „lateral“ **9**.
- ▶ Position the bridge „lengthwise“ **12** on bridge „lateral“ **9** at point **P58**.
- ▶ Unpin the pins **45** on both sides from park position at point **P60**.
- ▶ Insert the pins **45** on both sides at point **P59** and secure.

Result:

- Bridge „lengthwise“ **12** and bridge „lateral“ **9** are preassembled.

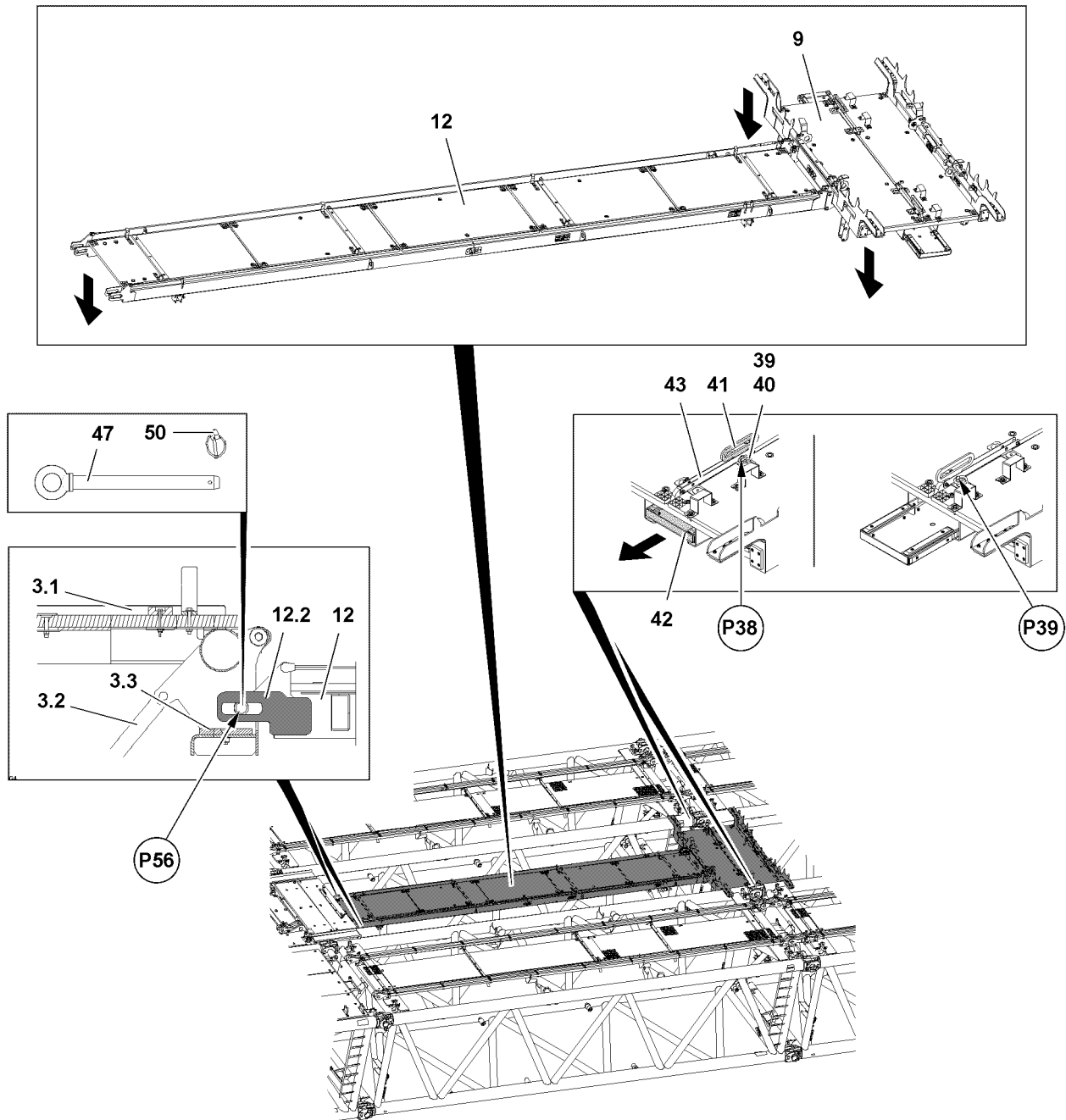


Fig.117311

Installing preassembled bridges

Make sure that the following prerequisites are met:

- The platform is properly installed and secured.
- The cross beam is properly pinned and secured on both upper P-adapters.
- Bridges - bridge „lengthwise“ **12** and bridge „lateral“ **9** - are preassembled.



WARNING

Danger due falling bridges!

- ▶ Start the installation of bridges only at the platform **3.1**.

- ▶ Fasten the preassembled bridge on the auxiliary crane.
- ▶ Lift the preassembled bridge with the auxiliary crane.
- ▶ Move the preassembled bridge into the receptacles on the platform **3.1**.
- ▶ Lower the preassembled bridge until the bridges „lateral“ **9** are laying completely on the lattice sections.
- ▶ Lock the bridges „lateral“ **9** on both sides on the lattice strands with the sliding section **42**.
- ▶ Pin and lock the sliding section **42** on both sides in position **locked**, see section „Assembly of bridges lateral“.

Result:

- The preassembled bridge is secured to prevent it from slipping.
- ▶ Pin and secure the preassembled bridge on platform **3.1** on both sides at point **P56**.

Result:

- The preassembled bridge is completely installed.
- ▶ Depending on the boom length: Install additional preassembled bridges as specified.

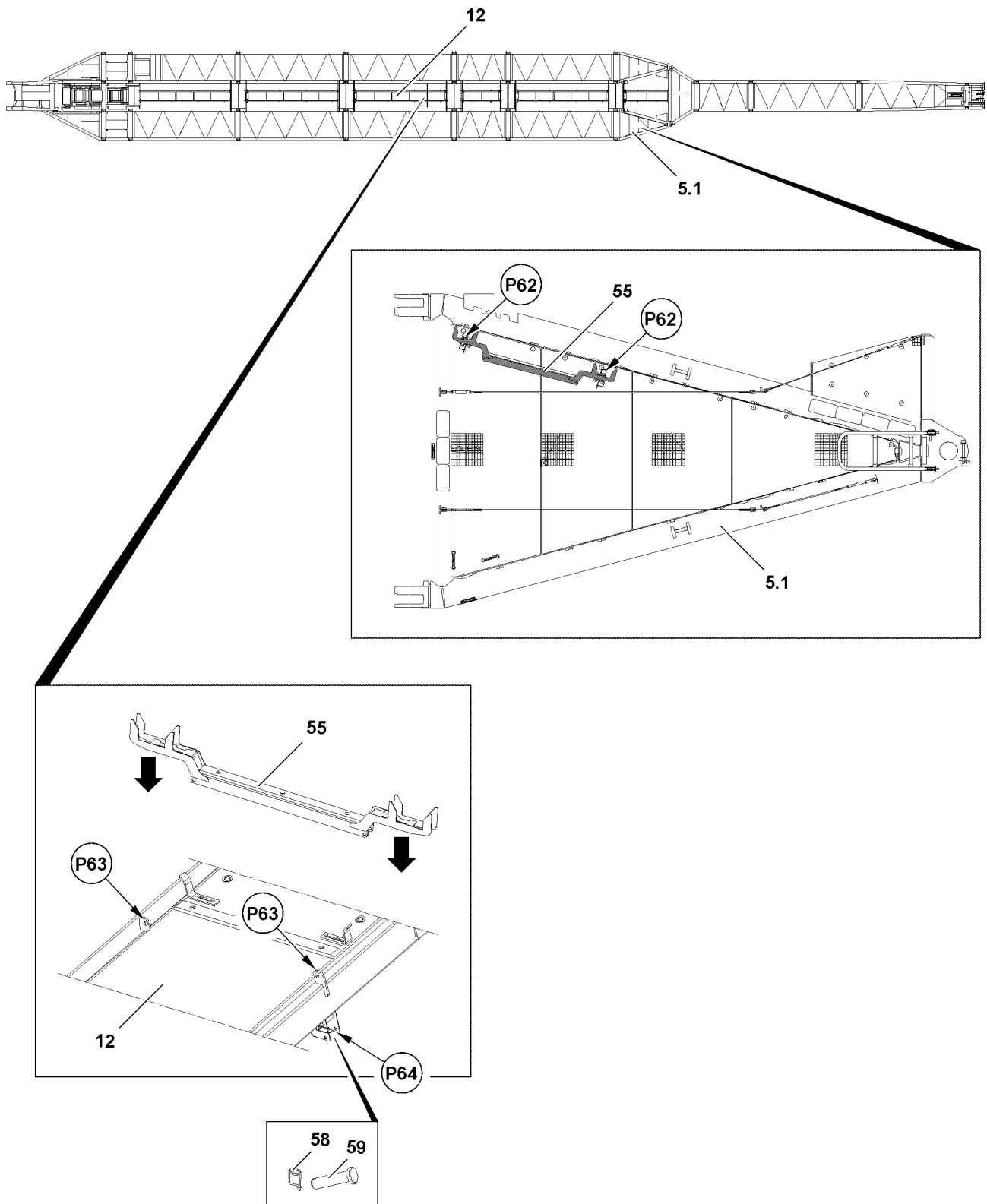


Fig.117460

LWE/LR 11350-005/19004-04-02/en

3.6 Installing the carrier for the rod placement

**Note**

- ▶ The carrier **55** for the rod placement is only required when using 3 m auxiliary rods.
- ▶ The installation position of carrier **55** depends on the boom length, pay attention to the rod plan.

Make sure that the following prerequisites are met:

- The bridges are properly installed and secured.
- ▶ Release the carrier **55** on P-adapter right **5.1** on points **P62**.

Install the carrier **55** on bridge **12**.

- ▶ Set the carrier **55** on bridge **12** on points **P63**.
- ▶ Unpin pins **59** on both sides at point **P64**.
- ▶ Pin the carrier **55** with pins **59** at point **P63** on both sides and secure with spring retainers **58**.

Result:

- The carrier **55** is pinned on bridge **12**.

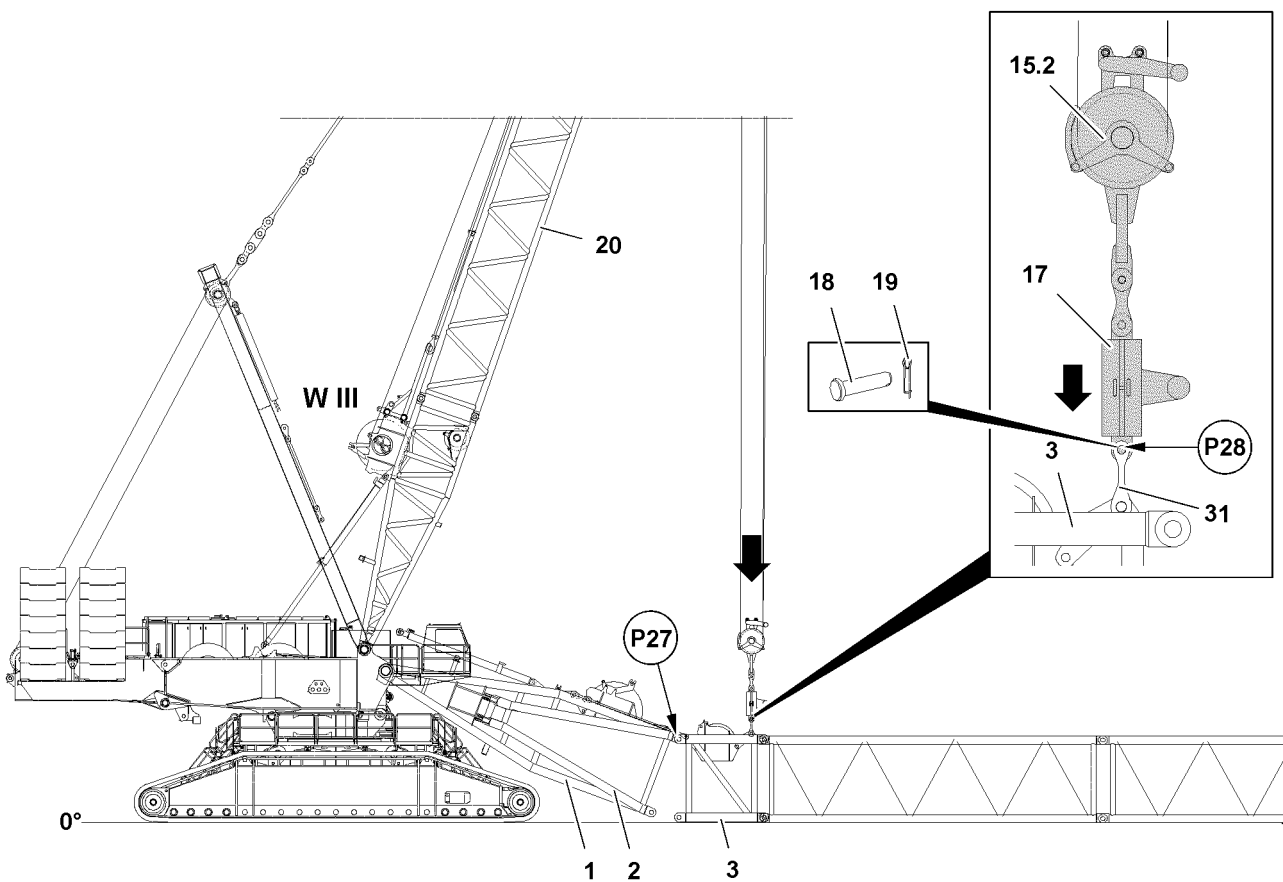
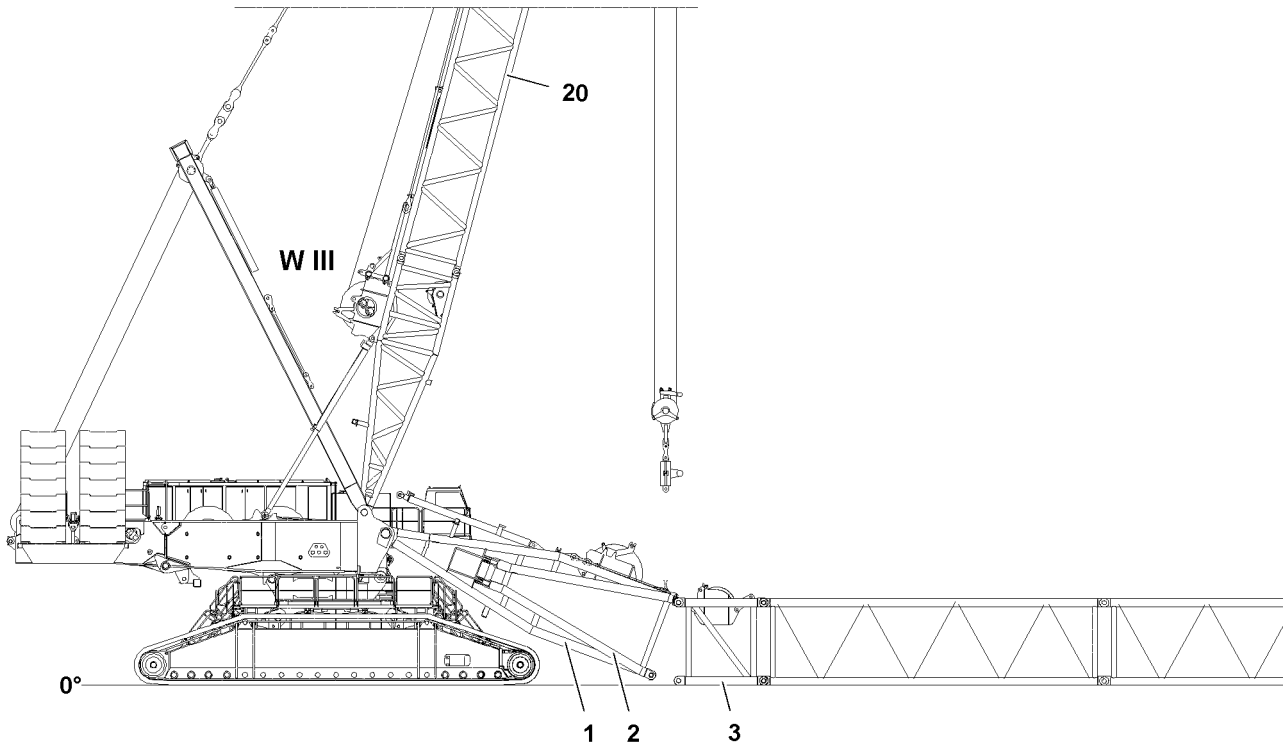


Fig.117202

3.7 Installing the upper pulley block on the cross carrier

So that the main boom combination can be „closed“ after assembly, it is necessary that the upper pulley block **15.2** is installed with the assembly weight **17** on the cross carrier **3**. To do so, the upper pulley block **15.2** is removed on the S-pivot section **1** and moved to the brackets **31** on the cross carrier **3** by luffing the D-boom **20**.

Make sure that the following prerequisites are met:

- The cross carrier **3** is pinned and secured on points **P27** with the lower P-adapters **2** and the S-pivot section **1**.
- The cross carrier **3** is placed completely on a support on the ground.
- The auxiliary crane is removed.
- The bridges - bridges „lengthwise“ and bridges „lateral“ - are completely installed and secured.



WARNING

Oscillating upper pulley block!

When unpinning the upper pulley block, it can start to swing back and forth!

Personnel can be severely injured or killed!

- ▶ Make sure that the derrick head is vertical above the upper pulley block during the unpinning procedure!

- ▶ Luff the D-boom **20** down to the front until the upper pulley block **15.2** hangs freely with the assembly weight **17** over the brackets **31** on the cross carrier **3**.
- ▶ Pin the assembly weight **17** with the brackets **31** on points **P28**: Insert the pins **18** on both sides on points **P28** and secure with spring retainers **19**.
- ▶ Carefully spool up winch **3 W III** until the control rope of winch **3 W III** is slightly tensioned.

3.8 Closing the main boom

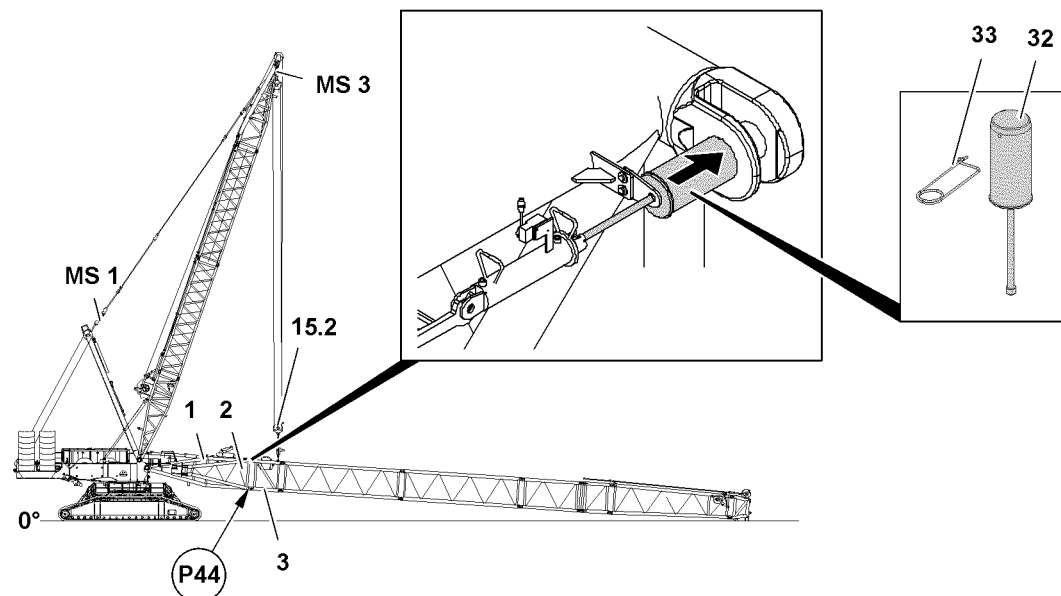


Fig.114601: Install the lattice sections on the cross beam - close the boom

**WARNING**

The crane can topple over!

If the following conditions are not met, the crane can topple over or be significantly damaged!

Personnel can be severely injured or killed!

- ▶ The maximum permissible total force on test point 1 may not exceed 136 t during the „closing procedure“!
- ▶ The maximum permissible total force on test point 3 may not exceed 150 t during the „closing procedure“!
- ▶ Non-required guy rods must be removed from the lattice sections, see Crane operating instructions, chapter 5.01!
- ▶ The end section of the corresponding boom combination may **not** lift off the ground during the „Closing procedure“!

**Note**

- ▶ The value of test point 1 is shown as force F1 on the LICCON monitor 1, the value of test point 3 is shown as force F3, see Crane operating instructions, chapter 4.02!

When the P-boom combination is assembled to the desired length:

- ▶ Lift the cross carrier **3** with the upper pulley block **15.2** until the four pin bores align on points **P44**.
- ▶ Pin the lower P-adapter **2** and S-pivot section **1** with the cross carrier **3**: Insert the pin **32** with the pin pulling device from the „inside“ to the „outside“ and secure with spring retainer **33**.

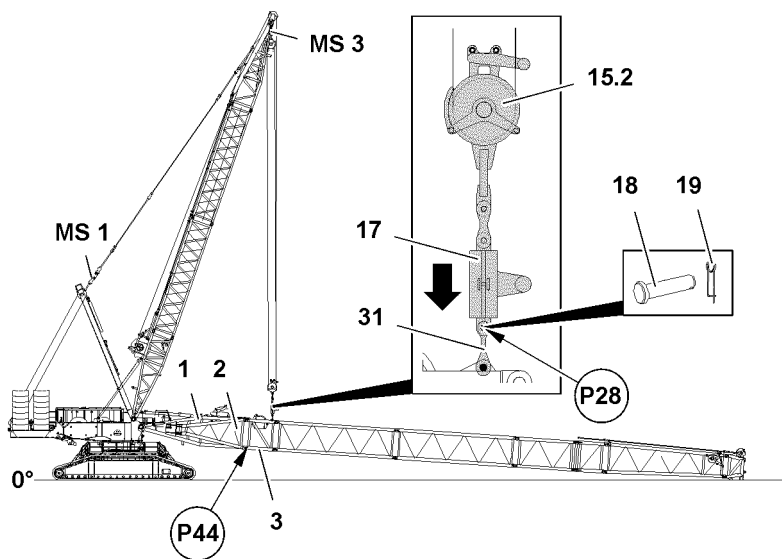


Fig.114602: Install the lattice sections on the cross beam - remove the assembly weight on the lattice section

**WARNING**

Mortal danger due to folding „down“ of boom!

By unpinning the assembly weight **17** on the bracket **31** of the cross carrier **3**, the boom can suddenly fold „down“ if the boom is not pinned at point **P44** „on the bottom“!

Personnel can be severely injured or killed!

- ▶ It is prohibited for anyone to remain under the raised boom combination during the pinning / unpinning procedure!
- ▶ Unpin the assembly weight **17** on the bracket **31** only when it is ensured that the S-pivot section **1** and the lower P-adapters **2** are safely pinned and secured on the „bottom“ with the cross carrier **3**!

When the P-boom system is „closed“:

- ▶ Slowly lower the upper pulley block **15.2** until the brackets **31** are relieved.

**WARNING**

Oscillating upper pulley block!

When unpinning the upper pulley block, it can start to swing back and forth!

Personnel can be severely injured or killed!

▶ Make sure that the derrick head is vertical above the upper pulley block during the unpinning procedure!

▶ Unpin the assembly weight **17** on the brackets **31**: Release pins **18** on both sides on point **P28** and unpin.

3.9 Establishing the electrical connections

NOTICE

Damage to the electrical connection on the cable drum!

If the electrical connection from the cable drum on the S-pivot section to the terminal box on the S-pivot section is established first before the connection to the terminal box on the S-end section, the electrical connection can be damaged when spooling out the cable drum!

▶ Establish first the electrical connection from the cable drum in the S-pivot section to the terminal box on the S-end section and then the electrical connection from the terminal box in the S-pivot section to the cable drum!

**Note**

▶ To establish the electrical connections on the main boom, use the Electric wiring diagram!

Make sure that the following prerequisites are met:

- The main boom is completely assembled.
- The airplane warning light and the wind speed sensor are assembled.

▶ Establish the electrical connections.

▶ Make sure that all electrical connections on the boom are established.

3.10 Establishing the hydraulic connections

When connecting and releasing hydraulic lines with quick couplings, make sure that the coupling procedure is carried out correctly.

**DANGER**

Danger of accident due to loss of pressure or leakage!

Incorrectly coupled or self-loosening quick-release couplings (particularly return lines) can result in serious accidents due to component failure!

▶ Check that the quick couplings have been properly connected before using the crane!

**Note**

▶ To connect or release the hydraulic lines with quick couplers, see Crane operating instructions, chapter 5.01!

▶ Release the pressure in the hydraulic system before connecting or disconnecting. Turn the engine off and wait for short time.

▶ Assembling coupling components (sleeve and connector) by using hand-tightened nut.

▶ Connect coupling components.

3.11 Function check

**WARNING**

Non-functioning safety devices!

If the function of the safety devices is defective, personnel can be severely injured or killed!

▶ Crane operation with non-functioning safety devices is **prohibited!**

**Note**

- ▶ The function of the individual limit switches must be checked before erection of the boom system!
- ▶ The function of the limit switch initiators must be checked in the test system, see Diagnostics manual!

**Note**

- ▶ If a function check on the limit switches or on the safety devices does not lead to the desired shut offs, then the plug connections on the connector boxes or the components itself must be checked. If no visible connection errors or component defects can be found, contact Liebherr Service!

Make sure that the following prerequisites are met:

- All electrical connections have been made.
- The crane engine is running.
- The corresponding operating mode is set on the LICCON monitor.
- The actuator levers of the limit switches have been checked for easy movement and are lubricated.

3.11.1 Wind speed sensor

- ▶ Test the movement and the function of the wind speed sensor.

3.11.2 Airplane warning light

- ▶ Turn the airplane warning light on, see Crane operating instructions, chapter 4.01.
- ▶ Check the function visually.

3.11.3 Hoist limit switch

- ▶ Actuate the hoist limit switch manually on the pulley head.

Result:

- The hoist winch turns off in upward movement.
- The hoist top icon blinks on the LICCON monitor 0.

3.11.4 Checking the limit switch D-boom „Steepest position“

**Note**

- ▶ The limit switch functions have to be checked individually before erection!

- ▶ Cover the limit switch initiators on the D-relapse cylinders individually with a metal plate.

Result:

- The limit switch is actuated manually.
- The spool up function of winch 4 (control winch) turns off.
- The „Boom limitation“ icon appears on the LICCON monitor 0.

3.11.5 Checking the limit switch main boom „steepest position“

**Note**

- ▶ The limit switch functions have to be checked individually before erection!

- ▶ Cover the limit switch initiators on the relapse cylinders of the main boom individually with a metal plate.

Result:

- The limit switch is actuated manually.
- The spool up function of winch 3 turns off.
- The „Boom limitation“ icon appears on the LICCON monitor 0.

Empty page!

LWE/LR 11350-005/19004-04-02/en

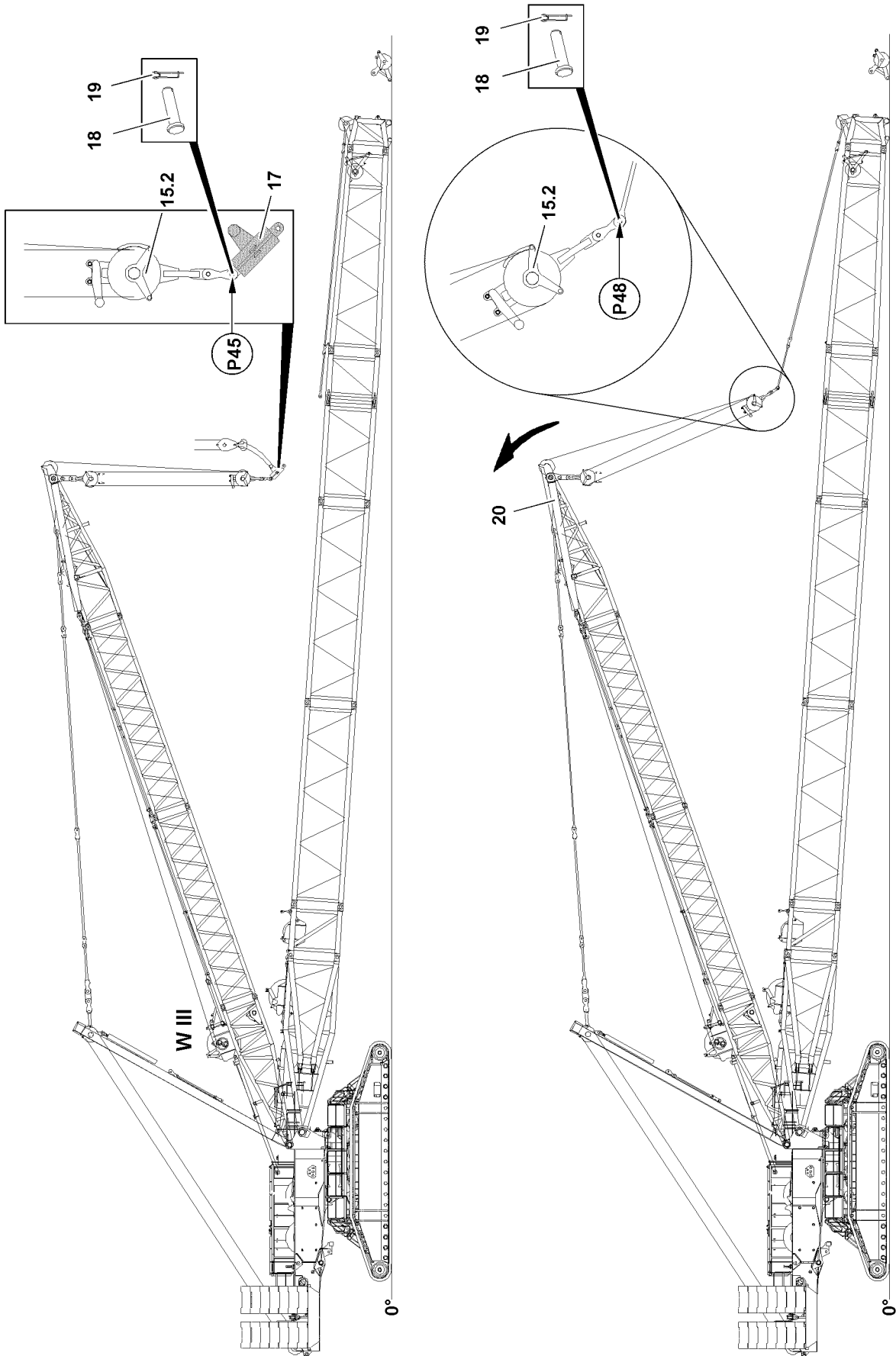


Fig.115391

LWE/LR 11350-005/19004-04-02/en

3.12 Assembling the guy rods



WARNING

Neglected inspection and maintenance on guy rods!

If the regular inspection and maintenance of the guy rods is not carried out or only in irregular intervals, then severe accidents can occur due to existing and not recognized damage on the guy rods! Personnel can be severely injured or killed!

- ▶ The guy rods must be checked before every assembly, see Crane operating instructions, chapter 8.15!



Note

- ▶ Assemble and secure the guy rods according to the supplied rod plans. The numbering on the rod plans must be identical to the numbering on the guy rods!

Make sure that the following prerequisites are met:

- The main boom is completely assembled.
- All lattice sections are properly pinned with each other.
- All bridges are properly installed.
- The carrier **55** for the rod placement is properly installed (only required when using 3 m rods).
- All pin connections have been secured.
- The upper pulley block **15.2** is completely unpinned on the cross carrier **3**.
- ▶ Luff the D-boom **20** down to the front.
- ▶ Lower the upper pulley block **15.2** to the boom: Spool out winch **3 W III**.
- ▶ Attach the assembly weight **17** onto the auxiliary crane.

When the assembly weight **17** is safely held by the auxiliary crane:

- ▶ Release and unpin the assembly weight **17** on the upper pulley block **15.2** on both sides on points **P45**.
- ▶ Remove the assembly weight **17** with the auxiliary crane.

The guy rods are placed and secured for transport on the corresponding intermediate sections. Before assembly, the transport retainers must be released.

- ▶ Release the transport retainers on the guy rods.

NOTICE

Danger of property damage!

If the pins of the guy rods are not pinned from the „inside“ to the „outside“, the hoist rope can scrape on the pin and be damaged!

- ▶ Always insert the pins of the guy rods from the „inside“ to the „outside“!
- ▶ Pay attention to the Rod plan!



Note

- ▶ The guy rods of the S-intermediate sections are pinned and secured together starting from the brackets on the fixed point of the SW-end section!
- ▶ Pin and secure the guy rods for the intermediate sections according to the Rod plan.
- ▶ Pin and secure the guy rod **51** with the upper pulley block **15.2**: Insert the pins **18** on both sides on points **P48** and secure with spring retainers **19**.

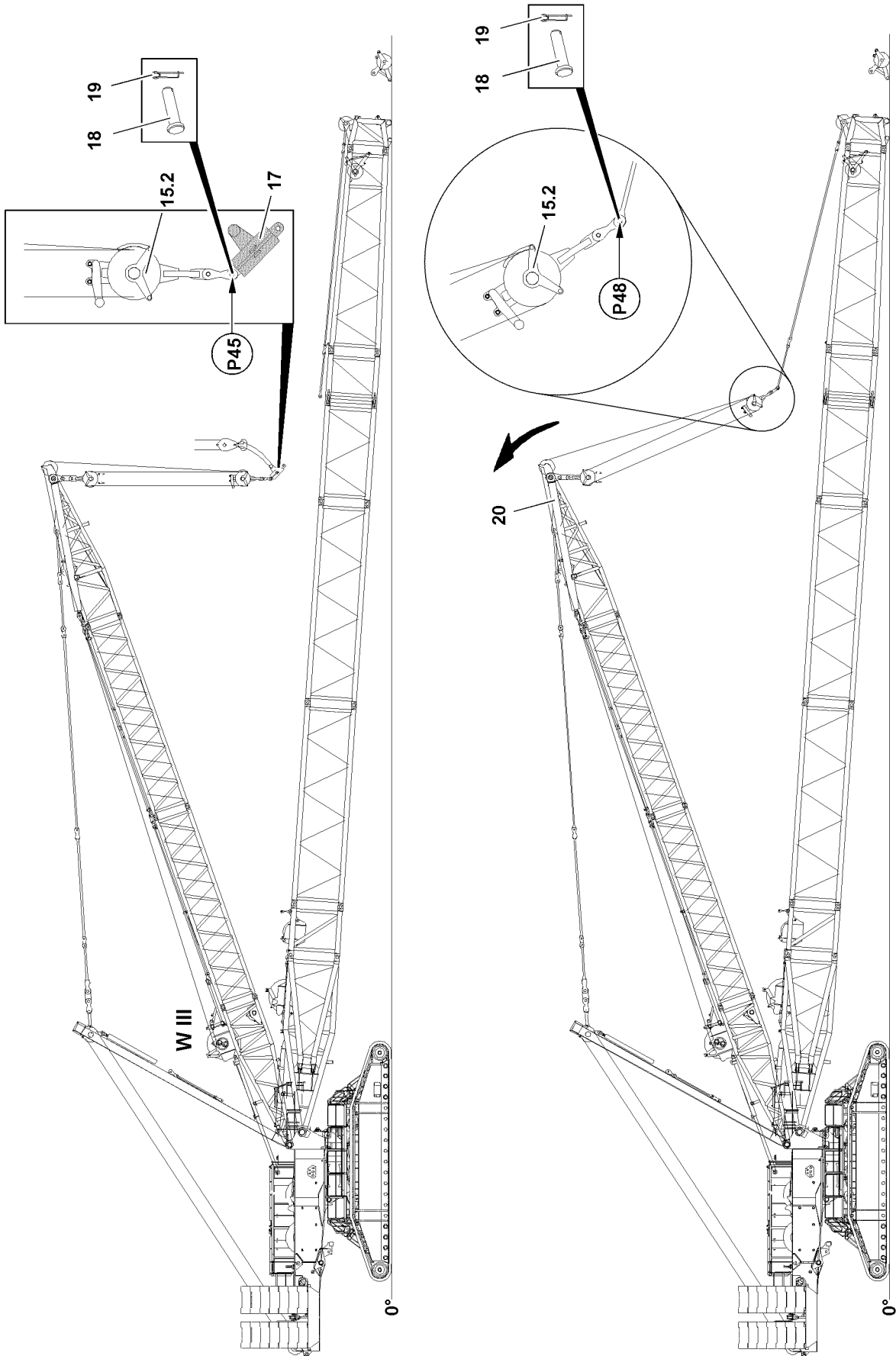


Fig.115391

LWE/LR 11350-005/19004-04-02/en

**WARNING**

Falling boom!

If the auxiliary guying is not assembled on the boom or not according to the specifications, then the boom can buckle „downward“, break off and fall down!

Personnel can be severely injured or killed!

- ▶ Make sure that the auxiliary guying is assembled correctly, see Rod plan and Crane operating instructions, chapter 5.03!

- ▶ Assemble the auxiliary guying as specified, if it is required for the boom combination to be set up.

**Note**

- ▶ The main boom must remain on the ground when erecting the D-boom and may **not** be pulled up along!

When the guy rods are pinned and secured on the upper pulley block **15.2**:

- ▶ Erect the D-boom to operating position and at the same time, spool out winch 3 **W III**.

When the D-boom has reached the operating position:

- ▶ Tension the guying between the D-boom and the boom head.

**WARNING**

The boom can suddenly fold „down“!

If the following notes are not observed, the boom can suddenly fold „down“ when the auxiliary boom or the supporting base is removed!

Personnel can be severely injured or killed!

- ▶ Remove the auxiliary crane or the supporting base only if it is ensured that the D-boom is in operating position and the main boom is safely being held by the guying!

When the boom is safely held by the guying:

- ▶ Remove the auxiliary crane on the boom head.

or

Remove the support.

- ▶ Guide the hoist rope over the rope pulley(s) on the boom head, see Reeving plan.

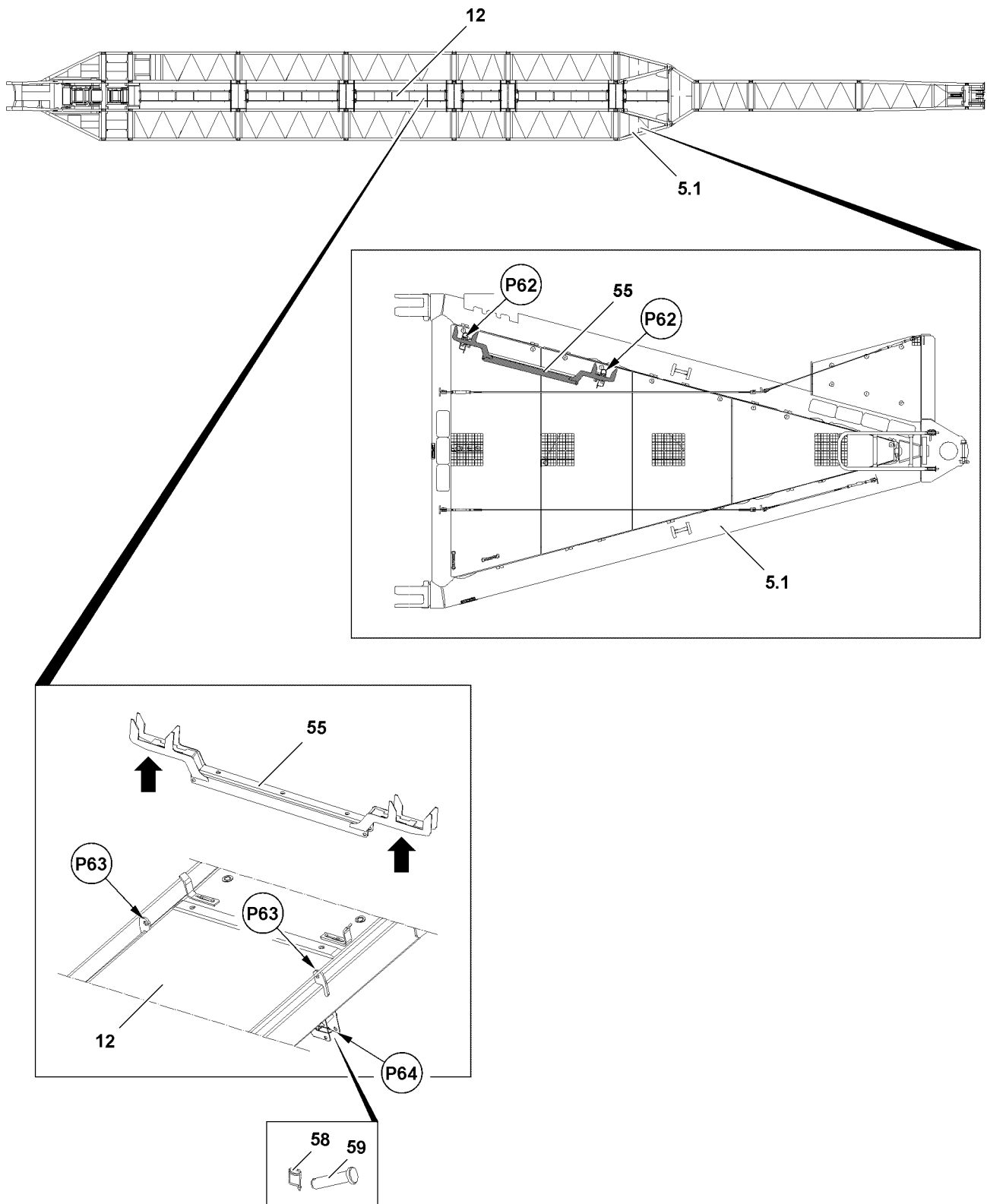


Fig.117461

LWE/LR 11350-005/19004-04-02/en

3.13 Removing the carrier for the rod placement

**WARNING**

Falling carrier!

If the carrier **55** is not removed before erecting the boom, then the carrier can fall down in crane operation.

Death.

- ▶ Make sure that the carrier **55** is removed before erecting the boom.
- ▶ Crane operation with the installed carrier **55** is prohibited.

Make sure that the following prerequisites are met:

- The guy rods are properly installed and secured.
- The boom is safely held by the guying.
- ▶ Release the carrier **55** on bridge **12** on points **P63**.
- ▶ Unpin pins **59** on both sides at point **P63**.
- ▶ Insert the pins **59** on both sides in the transport receptacle at point **P64** and secure.
- ▶ Place the carrier **55** in the transport receptacle on the P-adapter right **5.1** - points **P62** - and secure.

Result:

- The carrier **55** is secured on the P-adapter right **5.1** in transport position.

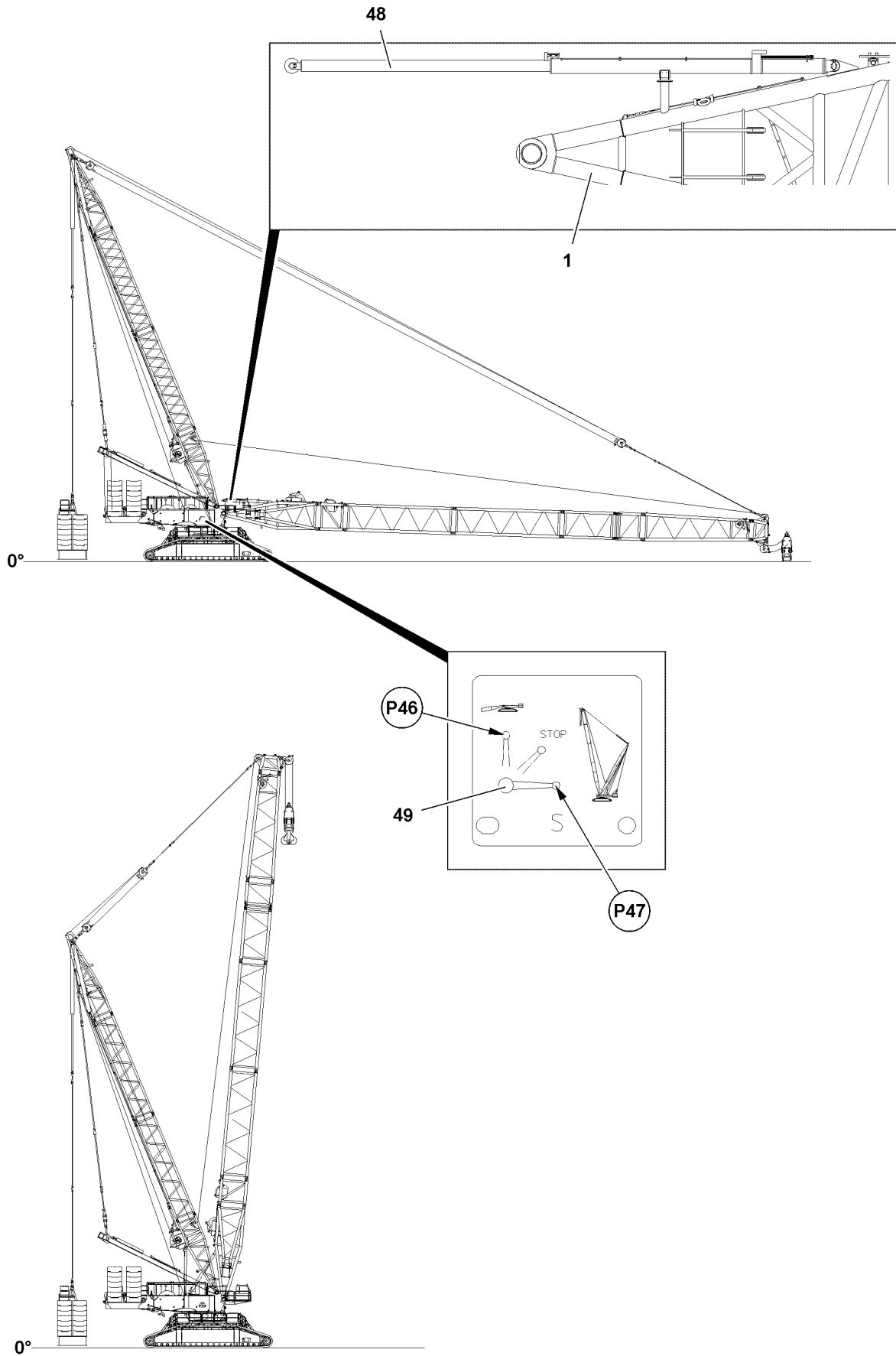


Fig.115392

LWE/LR 11350-005/19004-04-02/en

3.14 Erecting the main boom



WARNING

The crane can topple over!

In crane operation with deactivated LICCON overload protection, the crane can topple over!

Personnel can be severely injured or killed!

- ▶ The radii listed in the load chart may not be exceeded or fallen below, even if there is no load on the hook!

If required in the erection and take down chart:

- ▶ Carry the hook block along with the auxiliary crane!



WARNING

The crane can topple over!

If the following conditions are not met before erecting the boom, the crane can topple over!

Personnel can be severely injured or killed!

- ▶ Make sure that the Technical safety instructions are observed, see Crane operating instructions, chapter 5.01.
- ▶ Make sure that the relapse cylinders of the main boom are completely moved out before erection of the boom combination.
- ▶ Make sure that no slack rope formation occurs on the control winch.



WARNING

Falling hoist rope!

If the hoist rope is not reeved with the respective length on the main boom before the erection procedure, then it can fall down backward due to its own weight!

Personnel can be severely injured or killed!

- ▶ Reeve the hoist rope before the erection procedure with sufficient length on the main boom!
- ▶ The hoist rope must be constantly monitored during erection!
- ▶ Do not step into the danger zone!

Make sure that the following prerequisites are met:

- The crane is aligned in horizontal direction.
- All electrical connections have been made.
- All hydraulic connections have been made.
- All limit switches are functioning.
- The counterweight has been installed on the turntable according to the erection and take down chart.
- All pin connections have been secured.
- The hoist rope has been correctly placed in the rope pulleys and is prevented from jumping out with the rope retaining pins.
- Non-required guy rods are disassembled.
- The carrier **55** for the rod placement is removed on the bridge **12**.
- There are no loose parts on the boom.
- The boom is free of snow and ice.
- The LICCON overload protection has been set according to the data in the load chart.
- The load weighing was carried out on the boom and the hook block weight has been entered on the LICCON monitor, see Crane operating instructions, chapter 4.02.
- The LICCON overload protection settings have been compared with the actual crane configuration.
- The LICCON overload protection is deactivated.
- The assembly icon is visible on the LICCON monitor.
- No personnel is within the danger zone.

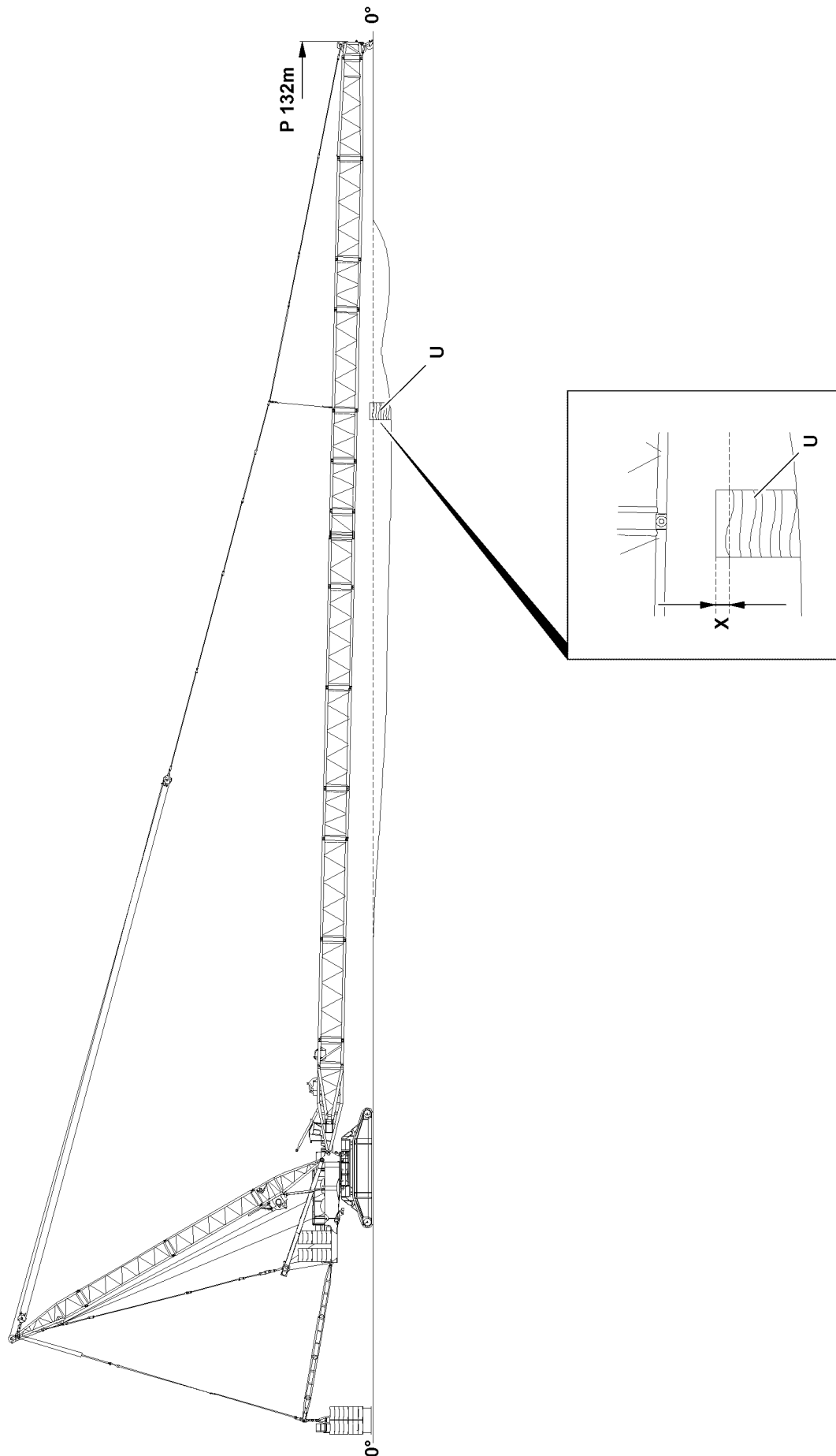


Fig.117451

LWE/LR 11350-005/19004-04-02/en

3.14.1 Supporting the boom before erection



WARNING

The crane can topple over!

- ▶ Always support the P-boom from a length of 126 m.
- ▶ Support the P-boom only in the area of the auxiliary guying.
- ▶ Adhere to the support height **X**.

NOTICE

Property damage of boom!

- ▶ Always support the P-boom from a length of 126 m.
- ▶ Make sure that the support **U** withstands a maximum load of 1250 kN.

Boom length	Support height X
P 126 m	65 cm
P 132 m	55 cm
P 138 m	40 cm
P 144 m	30 cm
P 150 m	20 cm

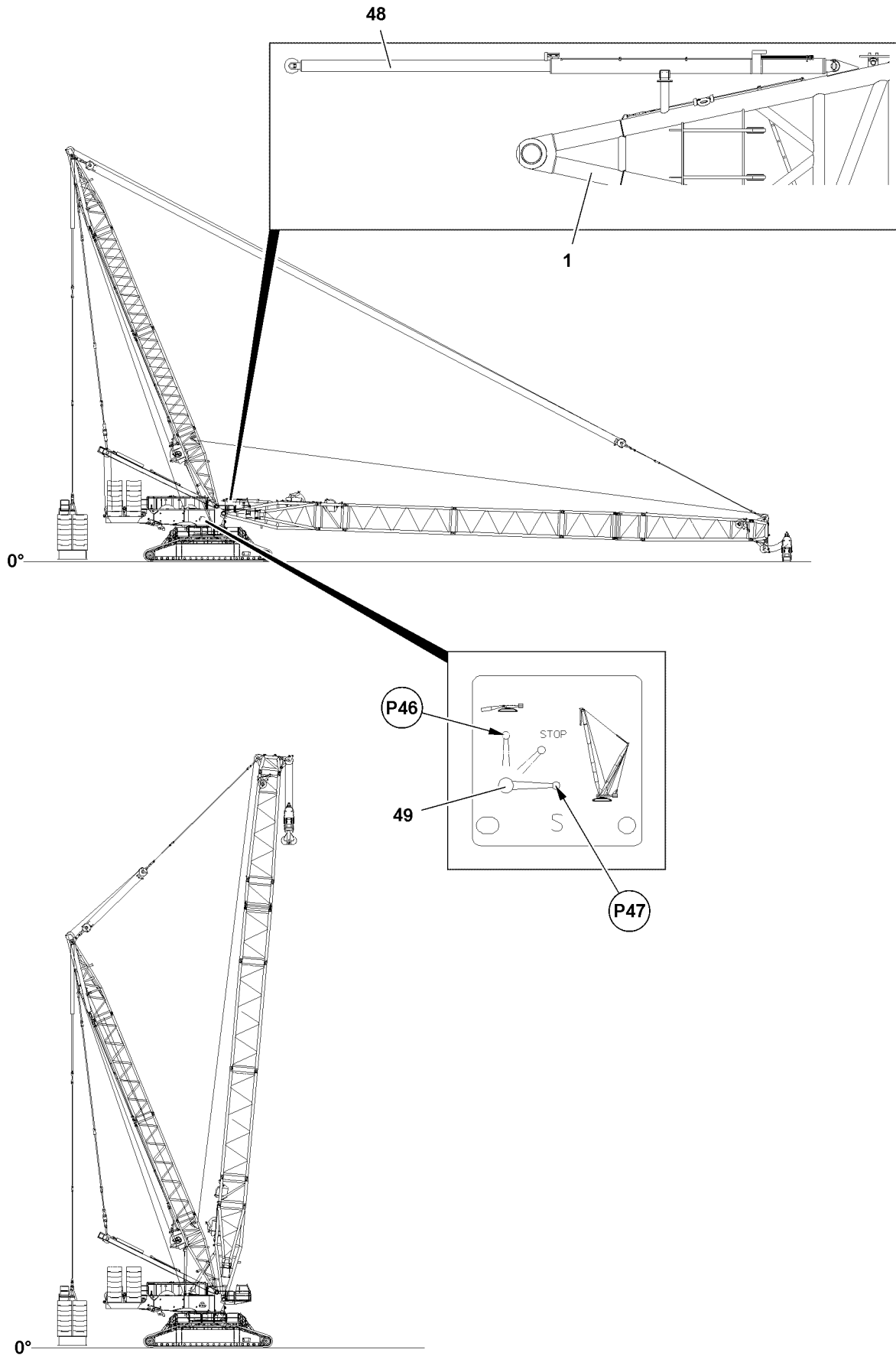


Fig.115392

LWE/LR 11350-005/19004-04-02/en

3.14.2 Extending the relapse cylinders of the main boom



WARNING

The crane can topple over!

If the relapse cylinders are not extended before erecting the main boom, then the main boom can fall to the rear during erection or in crane operation and the crane can topple over!

Personnel can be severely injured or killed!

- ▶ Extend the relapse cylinders **48** of the main boom before erecting the boom combination!
- ▶ Secure the ball valve **49** during crane operation to prevent inadvertent actuation!

Ball valve positions	
Position	Function
P47	Crane operation, extend the piston rod
P46	Assembly, retract the piston rod
STOP	The piston rod cannot be retracted / extended

Make sure that the following prerequisite is met:

- All hydraulic connections have been made.

- ▶ Set the ball valve **49** to position **P47**.

Result:

- The piston rods of the relapse cylinders **48** of the main boom extend.



Note

- ▶ The ball valve **49** is secured by closing the cabinet door and removing the key!

When the piston rods of the relapse cylinders **48** of the main boom are fully extended:

- ▶ Close the cabinet door and pull the key.
- ▶ Hand the key to an authorized person.

LIEBHERR

 CODE >XXXX< ZXXX YYYY.1(3)	xx > < xx	XX,X	XX,X	XX,X	XX,X	XX,X	XX,X	XX,X
	XXX,X	XXX,X	XXX,X	XXX,X	XXX,X	XXX,X	XXX,X	XXX,X
	XXX,X	XXX,X	XXX,X	XXX,X	XXX,X	XXX,X	XXX,X	XXX,X
	XXX,X	XXX,X	XXX,X	XXX,X	XXX,X	XXX,X	XXX,X	XXX,X
	XXX,X	XXX,X	XXX,X	XXX,X	XXX,X	XXX,X	XXX,X	XXX,X
	XXX,X	XXX,X	XXX,X	XXX,X	XXX,X	XXX,X	XXX,X	XXX,X
	XXX,X	XXX,X	XXX,X	XXX,X	XXX,X	XXX,X	XXX,X	XXX,X
	XXX,X	XXX,X	XXX,X	XXX,X	XXX,X	XXX,X	XXX,X	XXX,X
	XXX,X	XXX,X	XXX,X	XXX,X	XXX,X	XXX,X	XXX,X	XXX,X
	XXX,X	XXX,X	XXX,X	XXX,X	XXX,X	XXX,X	XXX,X	XXX,X
	XXX,X	XXX,X	XXX,X	XXX,X	XXX,X	XXX,X	XXX,X	XXX,X
	XXX,X	XXX,X	XXX,X	XXX,X	XXX,X	XXX,X	XXX,X	XXX,X
	XXX,X	XXX,X	XXX,X	XXX,X	XXX,X	XXX,X	XXX,X	XXX,X
	XXX,X	XXX,X	XXX,X	XXX,X	XXX,X	XXX,X	XXX,X	XXX,X
	XXX,X	XXX,X	XXX,X	XXX,X	XXX,X	XXX,X	XXX,X	XXX,X

xx° XXX XXX
 XXX XXX

O.K.

LIEBHERR

7	8	9
4	5	6
1	2	3
0	.	P

SHIFT

F1

F2

F3

F4

F5

F6

F7

F8

ENTER

○

LIEBHERR

					max n = XX
ZXXX YYYY XXXX					
	X° ■ X.X ■ X.X				

LIEBHERR

7	8	9
4	5	6
1	2	3
0	.	P

SHIFT

F1

F2

F3

F4

F5

F6

F7

F8

ENTER

○

Fig.112775

LWELR 11350-005/19004-04-02/en

3.14.3 Erection procedure



DANGER

The crane can topple over!

- ▶ It is prohibited to turn the crane superstructure while erecting the boom!
- ▶ Adhere to the data in the erection and take down charts!

Make sure that the following prerequisite is met:

- The load weighing was carried out on the boom and the hook block weight has been entered on the LICCON monitor, see Crane operating instructions, chapter 4.02.

Reeving in the hook block

- ▶ Erect the boom until the end section lifts off the ground.



WARNING

Falling hoist rope!

If the hoist rope is not reeved with the respective length on the main boom before the erection procedure, then it can fall down „backward“ due to its own weight!

Personnel can be severely injured or killed!

- ▶ Reeve the hoist rope before the erection procedure with sufficient length on the main boom!
 - ▶ The hoist rope must be constantly monitored during erection!
 - ▶ Do not step into the danger zone!
-
- ▶ Reeve in the hoist rope properly and secure on the rope fixed point, for reeving, see Reeving plan.
 - ▶ Pin and secure the rope retainers on the rope pulleys.
 - ▶ Attach the hoist limit switch weight, see section Crane operating instructions, chapter 4.06.

Erecting the boom



WARNING

The crane can topple over!

In assembly operation the LICCON overload protection is deactivated!

The crane can collapse, the boom can break off or the crane can topple over!

Death!

- ▶ Enter the set up configuration correctly into the LICCON computer system.
- ▶ Activate the assembly operation only when the consequences are known.
- ▶ Observe the erection / take down charts.



Note

- ▶ When the lowest operating position of the boom is reached, the LICCON overload protection is activated!
 - ▶ In the maximum load icon appears a load number in „t“ instead of the display „???“!
-
- ▶ Luff the boom up to the lowest operating position.

When the boom has reached the lowest operating position:

- ▶ Make sure that the assembly icon on the LICCON monitor turns off.

Result:

- The LICCON overload protection is active.

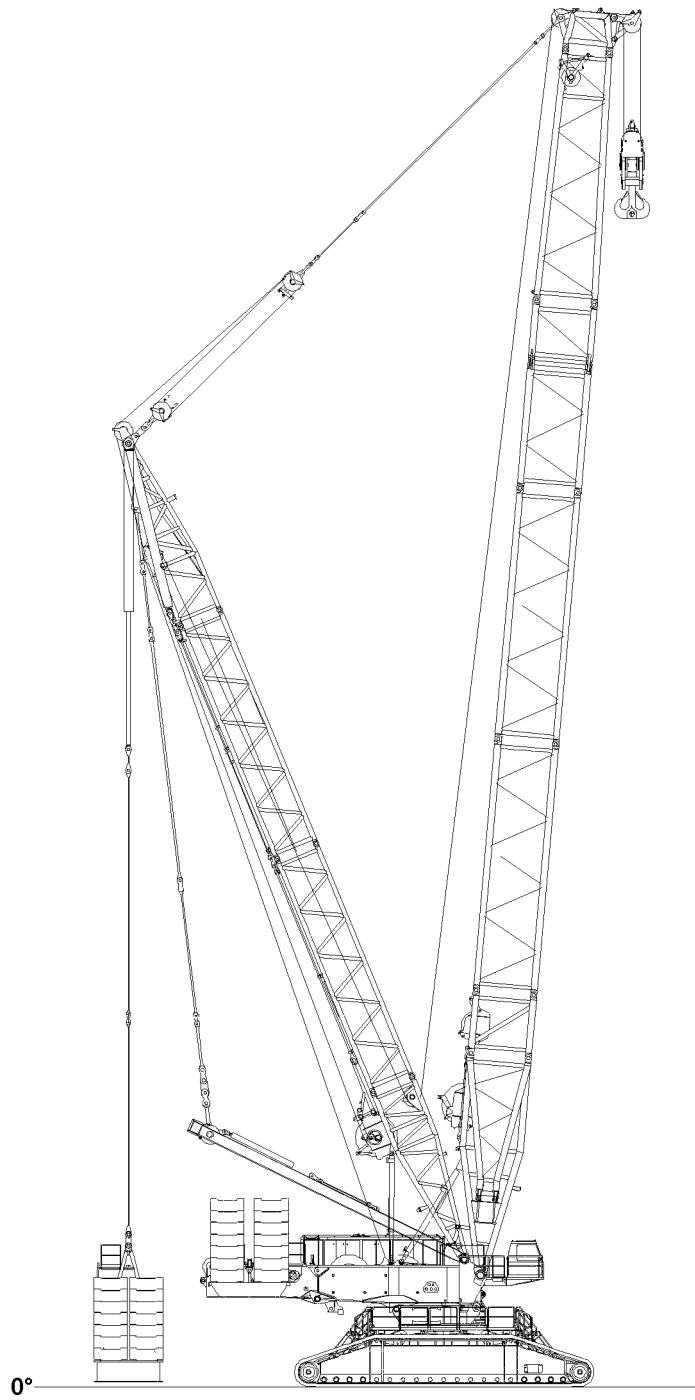


Fig.115393

LWE/LR 11350-005/19004-04-02/en

4 Operating the crane

4.1 Preparing for crane operation

**Note**

- ▶ Observe the notes, see Crane operating instructions, chapter 4.02, chapter 4.05, chapter 4.08 and chapter 5.01!

Make sure that the following prerequisites are met:

- The LICCON overload protection is active.
- The LICCON overload protection has been set according to the data in the load chart.

**WARNING**

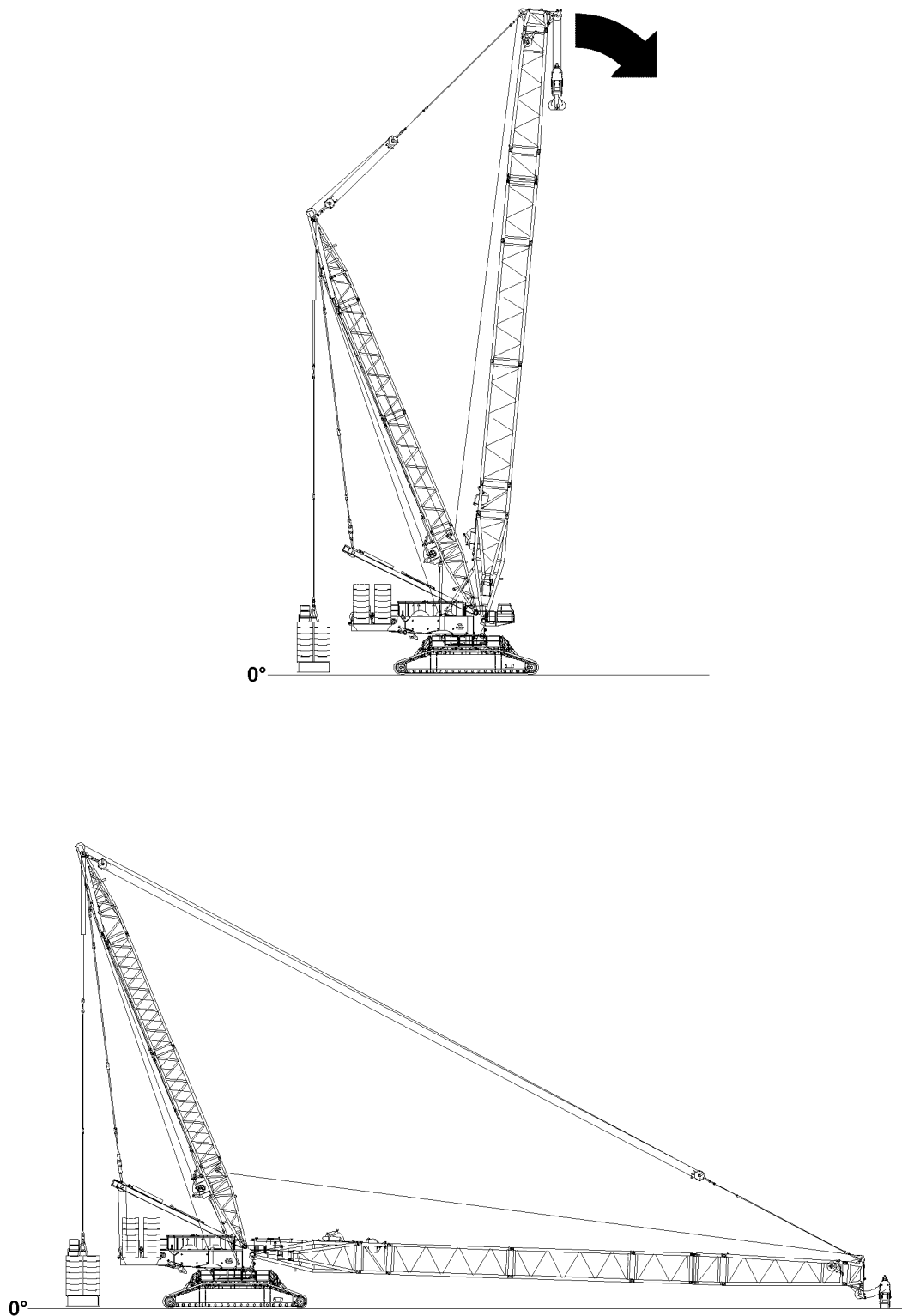
The crane can topple over!

Personnel can be severely injured or killed!

- ▶ Check the horizontal position of the crane before and during operation!
- ▶ If the crane operator leaves the cab, even for a short time, the operating mode setting must be checked and reset if necessary before resuming crane operation!

4.1.1 Checking the settings

- ▶ Check the function of the overload protection by running against the operating positions „on top“ and „bottom“.
- ▶ Check the hoist limit switch by running against the hoist limit switch weight.
- ▶ Check the function of the limit switches „Boom steep“ on the relapse cylinders of the main boom.



LWE/LR 11350-005/19004-04-02/en

Fig.115394

5 Disassembly PD-boom



WARNING

Danger of falling!

During assembly / disassembly, inspection and maintenance work, personnel must be secured with appropriate aids to prevent them from falling! If this is not observed, assembly personnel could fall and suffer life-threatening or fatal injuries!

- ▶ All work aloft, where there is a danger of falling must be carried out with suitable aids!
- ▶ If fall protection equipment is available, then it must be used, see Crane operating instructions, chapter 2.06!
- ▶ If aids are not available and work cannot be carried out from the ground, then the assembly personnel must secure themselves with the supplied fall arrest system to prevent falling, see Crane operating instructions, chapter 2.04!
- ▶ The fall arrest system must be fastened on the fastening and hook points as well as on the safety ropes. For safety points, see Crane operating instructions, chapter 2.06!
- ▶ Only step on the aids, ladders and catwalks with clean shoes!
- ▶ Keep aids, ladders and catwalks free of heavy dirt, snow and ice!
- ▶ Stepping or walking on crane components and lattice sections, which have an incline of more than 20° is prohibited!



WARNING

The lattice sections can fall down!

If the lattice sections are not pinned and secured correctly, then they can fall „down“ and severely injure or kill personnel!

- ▶ Pin or unpin both pins at the same horizontal level, i.e. **left and right!**
- ▶ Do not stand under the lattice sections or within the entire danger zone during the pinning and unpinning procedure of the boom!
- ▶ Secure the pins in the bearing points and the receptacles!
- ▶ It is prohibited to lean the ladder against the components being disassembled!
- ▶ Do not remove the fastening equipment and the auxiliary crane until each component is pinned on and secured!



WARNING

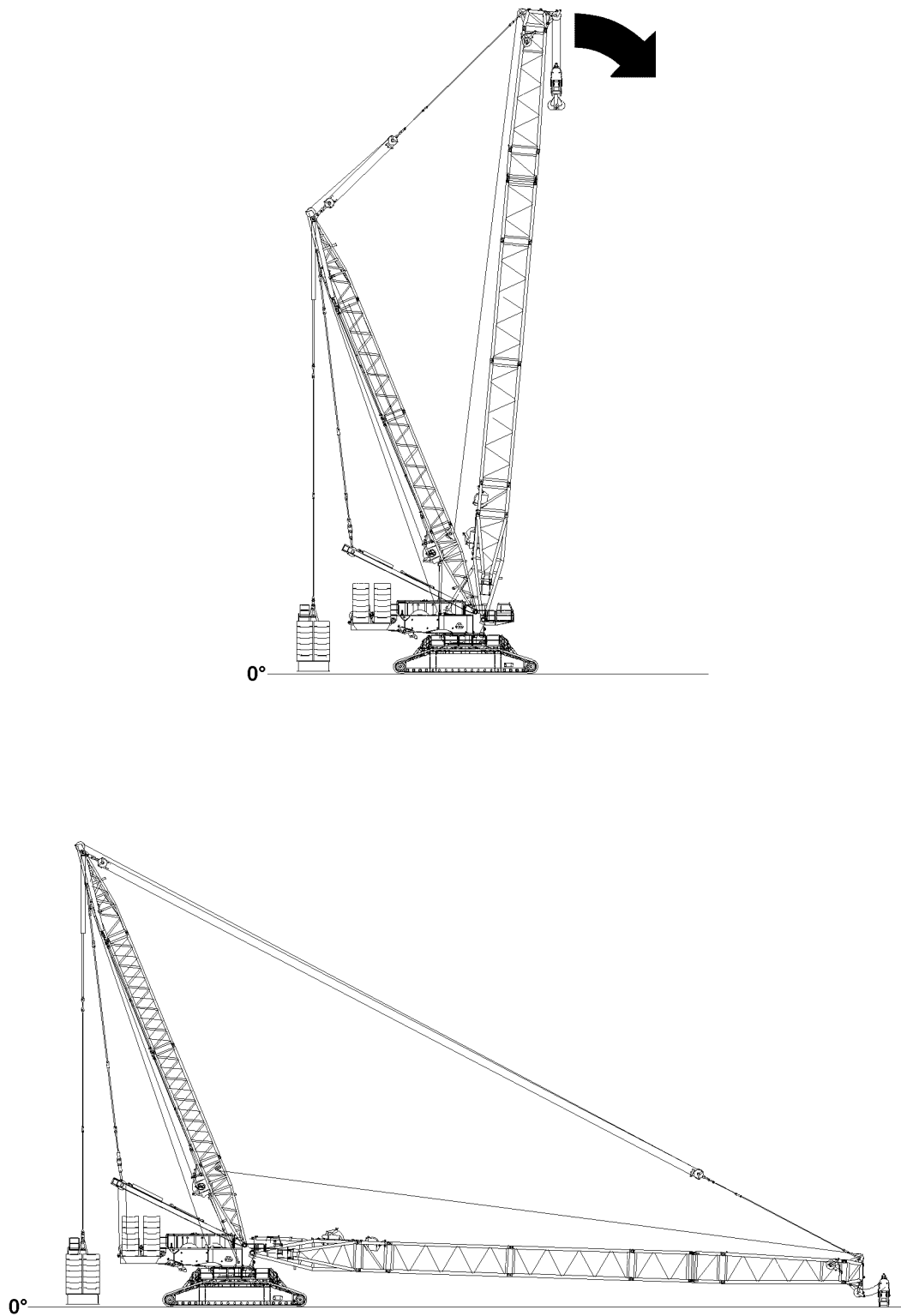
Danger of impact / crushing!

When installing / removing crane components with the auxiliary crane, crane components can start to swing back and forth!

When lifting / lowering and positioning crane components, there is an increased danger of impacts / crushing!

Personnel can be caught and severely injured or killed!

- ▶ Make sure that personnel cannot be caught by components!
- ▶ Make sure that the crane is horizontally aligned!
- ▶ When working in danger zones: Use aids to protect limbs!
- ▶ Guide components with suitable aids to minimize oscillation!



LWE/LR 11350-005/19004-04-02/en

Fig.115394

5.1 Turning the turntable into disassembly position



WARNING

The crane can topple over!

If the following conditions are not met before turning the turntable, then the crane can topple over!
Personnel can be severely injured or killed!

▶ Observe the data in the erection and take down charts!

▶ Turn the turntable into disassembly position, see „Erection and take down charts“.

5.2 Placing the main boom down



WARNING

The crane can topple over!

If the following conditions are not met before taking down the main boom, the crane can topple over!
Personnel can be severely injured or killed!

▶ Observe the Safety technical notes, see Crane operating instructions, chapter 5.01!

▶ Observe the data in the erection and take down charts!

NOTICE

Damage of boom components!

Taking down the boom system can lead to a collision between the hook block and the pulley head!
The boom components can be severely damaged!

▶ Luff the boom system down at the same time and spool the hoist winch out!

▶ When luffing the boom system down, the D-boom must remain in operating position until the SW-end section is laying on the ground or on a supporting base or it is safely held by an auxiliary crane!



Note

▶ The luff down movement is turned off as soon as the lowest operating position of the main boom is reached!

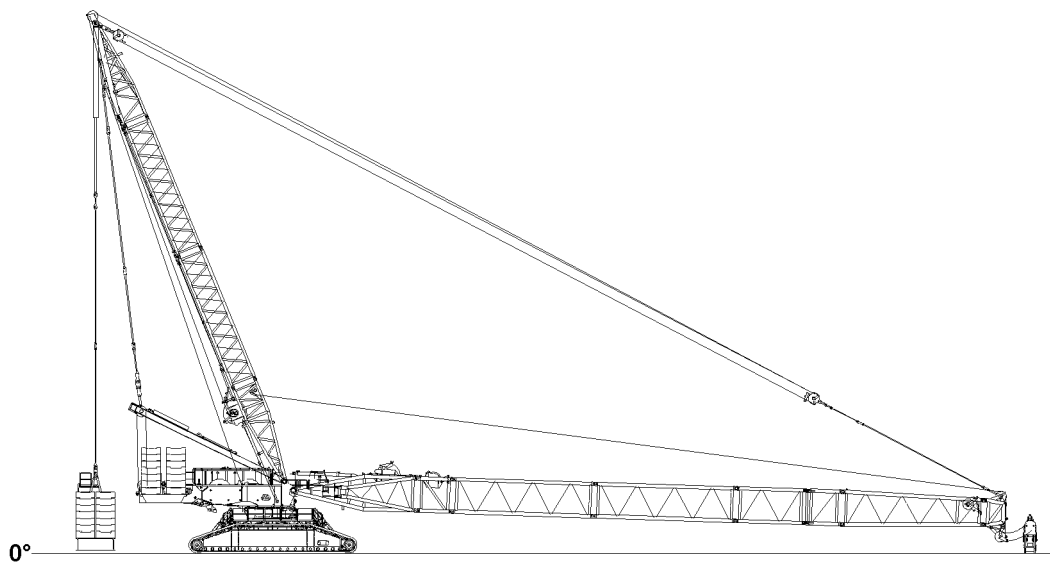
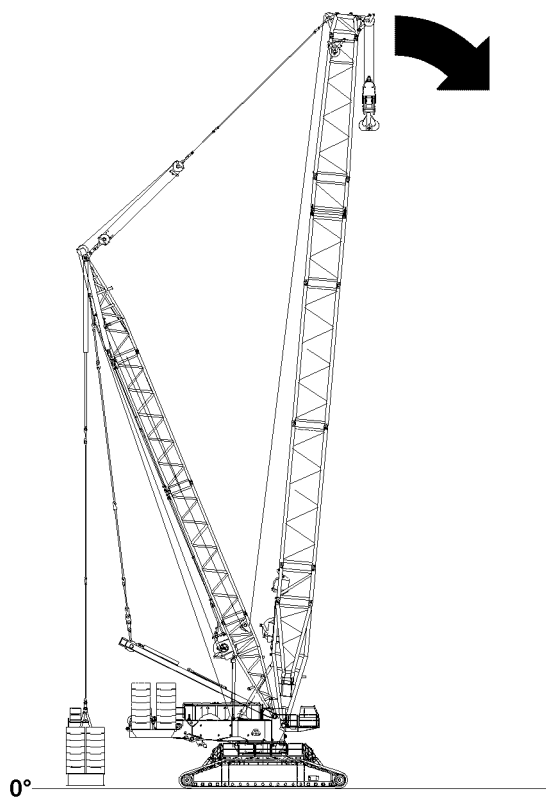
▶ When the lowest operating position of the main boom is reached, the load display in the maximum load icon turns off and instead of the load display appears the display „??“!

▶ In the crane operating screen appear alarm functions!

▶ Luff the main boom down to the **lowest** operating position.

Result:

- The luff down movement is turned off.
- The „STOP“ icon appears on the LICCON monitor.
- The horn icon appears on the LICCON monitor.



LWE/LR 11350-005/19004-04-02/en

Fig.117312

**WARNING**

The crane can topple over!

In assembly operation the LICCON overload protection is deactivated!

The crane can collapse, the boom can break off or the crane can topple over!

Death!

- ▶ Enter the set up configuration correctly into the LICCON computer system.
- ▶ Activate the assembly operation only when the consequences are known!
- ▶ Only activate assembly operation when the set up configuration was correctly entered into the LICCON computer system, see Crane operating instructions, chapter 4.02!
- ▶ Observe the erection / take down charts!
- ▶ Operating the crane with enabled assembly is strictly prohibited!

- ▶ Activate the assembly operation.

Result:

- The LICCON overload protection is deactivated.
- The assembly icon appears on the LICCON monitor.
- ▶ At the same time, spool the hoist winch out and luff the main boom down until the hook block touches the ground.
- ▶ Remove the hoist limit switch weight and unreeve the hook block.
- ▶ Luff the main boom down until the main boom or the boom head is laying on the support.

**WARNING**

Spooling up of hoist rope!

By spooling the hoist rope up, personnel can be severely injured or killed!

- ▶ All rope retaining pins / pipes on the main boom are removed!
- ▶ Slowly spool up the hoist rope over the rope pulleys back to the winch!
- ▶ Make sure that no personnel is within the danger zone!

NOTICE

Overspoiled winch!

If the hoist rope is pulled under the winch when spooling up, then the adjustment of the winch turn sensor is incorrect!

A new adjustment by **Liebherr Service** is required!

- ▶ Stop the winch in time, with sufficient rope reserve!
- ▶ Do not overspool the winch!

- ▶ Spool the hoist rope up.

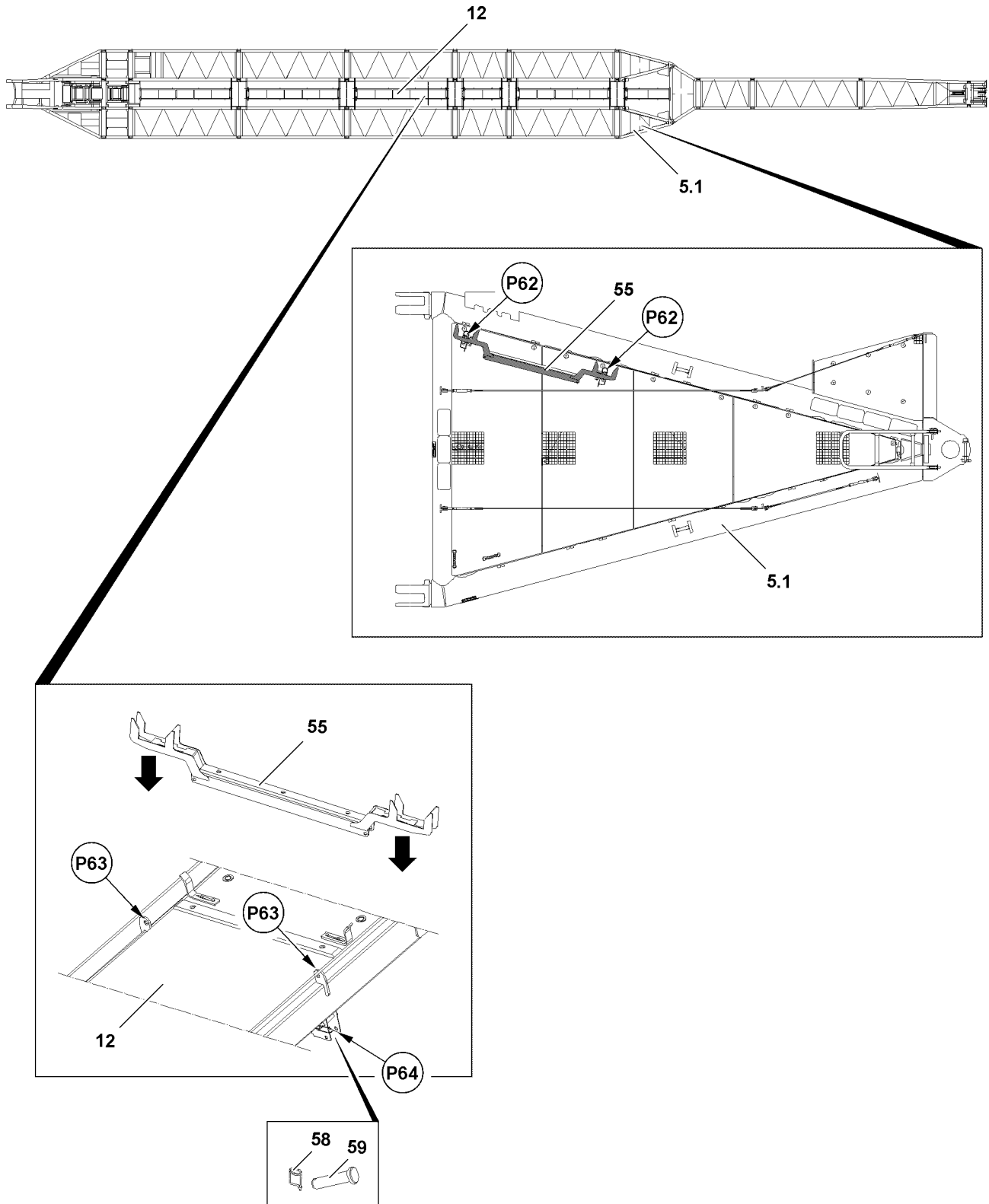


Fig.117460

LWE/LR 11350-005/19004-04-02/en

5.3 Installing the carrier for the rod placement

**Note**

- ▶ The carrier **55** for the rod placement is only required when using 3 m auxiliary rods.
- ▶ The installation position of carrier **55** depends on the boom length, pay attention to the rod plan!

Make sure that the following prerequisites are met:

- The bridges are properly installed and secured.
- ▶ Release the carrier **55** on P-adapter right **5.1** on points **P62**.

Install the carrier **55** on bridge **12**.

- ▶ Set the carrier **55** on bridge **12** on points **P63**.
- ▶ Unpin pins **59** on both sides at point **P64**.
- ▶ Pin the carrier **55** with pins **59** at point **P63** on both sides and secure with spring retainers **58**.

Result:

- The carrier **55** is pinned on bridge **12**.

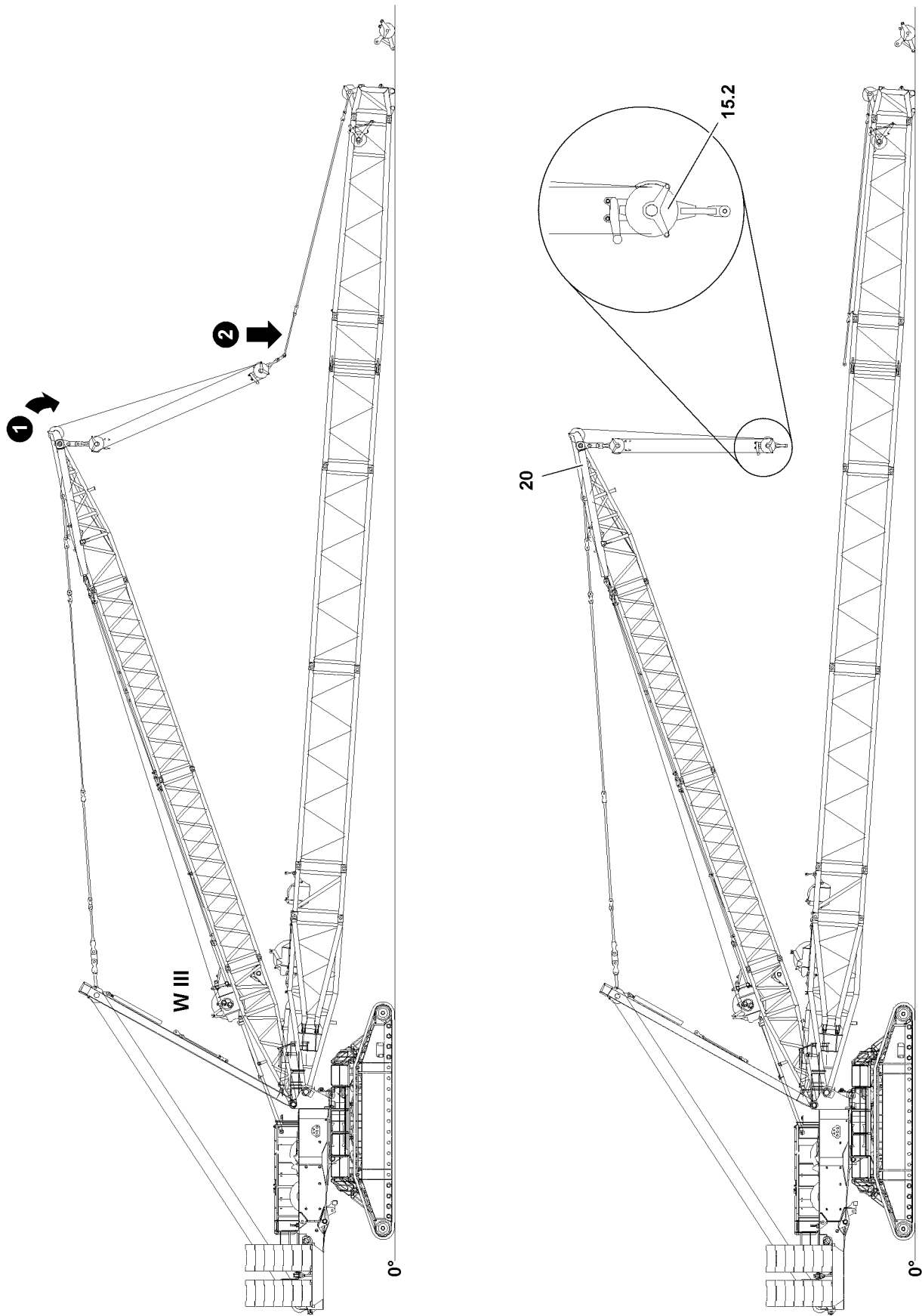


Fig.115396

LWE/LR 11350-005/19004-04-02/en

5.4 Disassembling the guy rods

NOTICE

Slack rope formation!

The control rope could be damaged if any of the ropes are slack!

▶ When placing the guy rods down into the transport receptacles, don't let the ropes become slack!

▶ Relieve the guying: Luff the D-boom down to the front until the guy rods are placed in the transport receptacles.

When the guy rods on the main boom are in the transport receptacles:

▶ Stop the luff down movement of the D-boom.

▶ Carefully spool out winch 3 **W III** until the guying is relieved.

When the guying is relieved:

▶ Disassemble the auxiliary guying (if present on the main boom).

▶ Unpin the upper pulley block **15.2** on the guy rods.

▶ Place the guy rods on the S-lattice sections and secure with transport retainers.

▶ Disconnect the guy rods according to their association to the S-lattice sections.

NOTICE

Damage to the intermediate sections!

▶ Do not pull the upper pulley block **15.2** over the intermediate sections, rather guide them with the auxiliary crane!

▶ Make sure when erecting the D-boom, that the upper pulley block **15.2** is not pulled against the D-end section!

When the guy rods are placed in the transport retainers and secured:

▶ Erect the D-boom and spool out winch 3 **W III** at the same time.

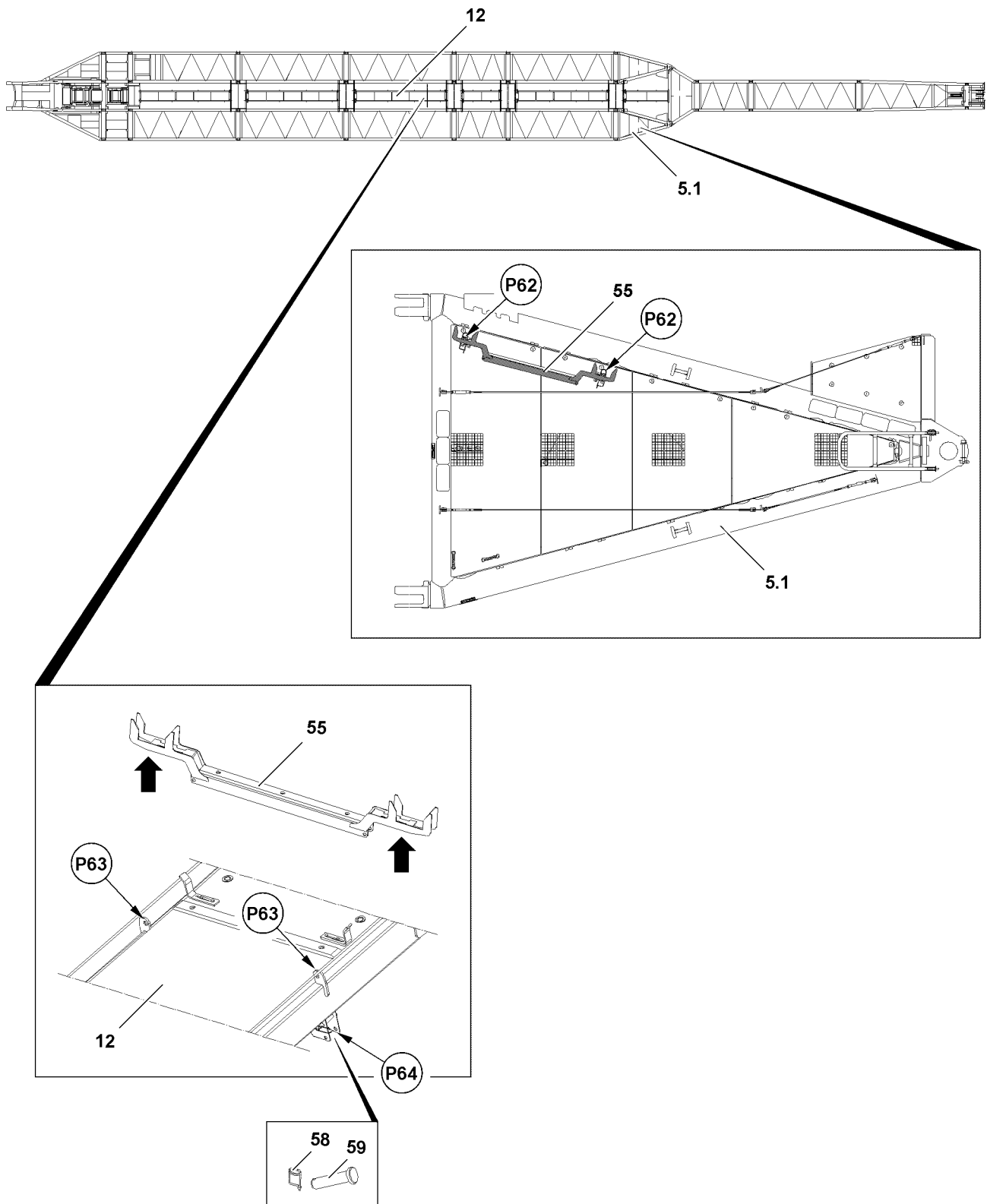


Fig.117461

LWE/LR 11350-005/19004-04-02/en

5.5 Removing the carrier for the rod placement

Make sure that the following prerequisites are met:

- The guy rods are removed.
- ▶ Release the carrier **55** on bridge **12** on points **P63**.
- ▶ Unpin pins **59** on both sides at point **P63**.
- ▶ Insert the pins **59** on both sides in the transport receptacle at point **P64** and secure.
- ▶ Place the carrier **55** in the transport receptacle on the P-adapter right **5.1** - points **P62** - and secure.

Result:

- The carrier **55** is secured on the P-adapter right **5.1** in transport position.

5.6 Disconnecting the hydraulic connections

When connecting and releasing hydraulic lines with quick couplings, make sure that the coupling procedure is carried out correctly.



DANGER

Danger of accident due to loss of pressure or leakage!

Incompletely coupled quick couplings (particularly return lines) as well as self-loosening of quick couplings can result in serious injury due to component failure!

- ▶ Check that the quick couplings have been properly connected before using the crane!



Note

- ▶ To connect or release the hydraulic lines with quick couplers, see Crane operating instructions, chapter 5.01!

- ▶ Release the pressure in the hydraulic system before connecting or disconnecting. Turn the engine off and wait for short time.
- ▶ Assembling coupling components (sleeve and connector) by using hand-tightened nut.
- ▶ Connect coupling components.

5.7 Disconnecting the electrical connections

Make sure that the following prerequisite is met:

- The main boom is placed on the support / the supports.

NOTICE

Damage to cable drum or cable!

If the cable drum cable is not properly spooled up on the cable drum after disconnection on the SW-end section, the cable drum or the cable can be significantly damaged!

- ▶ Spool the cable drum up after unplugging!
- ▶ Spool the cable drum up and secure it to prevent inadvertent spooling out.
- ▶ Disconnect the electrical connections and store the plug and cable properly.

5.8 Opening the main boom

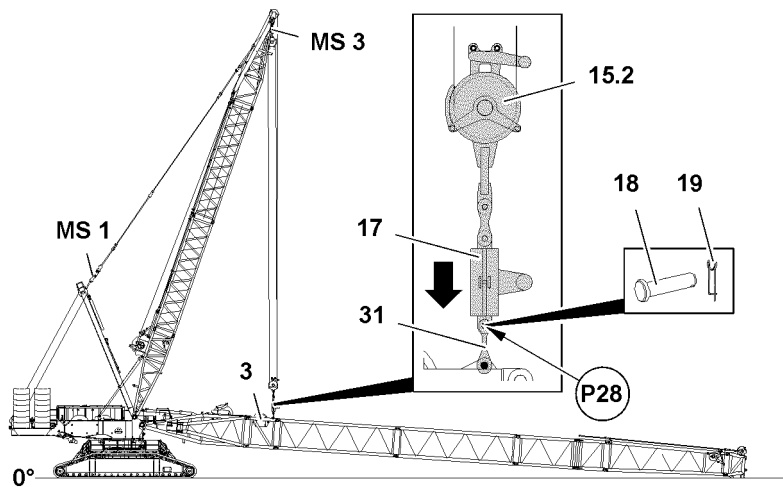


Fig.115397: Open the boom - install the upper pulley block on the cross carrier



WARNING

The main boom can suddenly fold „down“!

If the following conditions are not met before disassembling the main boom, the main boom can fold „down“!

Personnel can be severely injured or killed!

- ▶ Support the main boom during disassembly with suitable materials!
- ▶ During pinning and unpinning of the lattice sections, it is prohibited for anyone to remain **under** or **on** the components as well as within the entire danger zone!

Make sure that the following prerequisites are met:

- All electrical and hydraulic connections have been disconnected.
- The auxiliary guying is disassembled.
- The guy rods are placed in the transport receptacles.
- The guy rods are placed in the transport retainers and secured.
- ▶ Lower the upper pulley block **15.2** until it is over the brackets **31** on the cross carrier **3**.
- ▶ Swing the assembly weight **17** with the auxiliary crane in to the upper pulley block **15.2**.
- ▶ Pin the assembly weight **17** on both sides on the upper pulley block **15.2** and secure.
- ▶ Pin the assembly weight **17** with the brackets **31**: Insert the pins **18** on both sides on points **P28** and secure with spring retainers **19**.

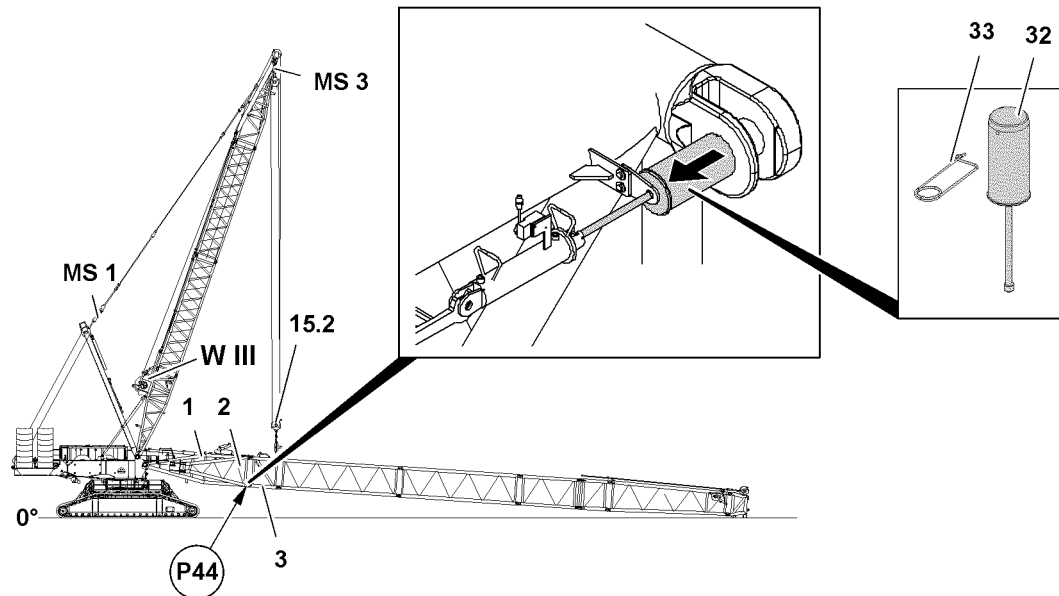


Fig.115398: Open the boom - release the lower pin connection



WARNING

The crane can topple over!

If the following conditions are not met, the crane can topple over or be significantly damaged!

Personnel can be severely injured or killed!

- ▶ The maximum permissible total force on test point 1 is 136 t and may **not** be exceeded!
- ▶ The maximum permissible total force on test point 3 is 150 t and may **not** be exceeded!
- ▶ Lifting and opening the respective boom is only permissible by observing the maximum permissible boom lengths and total forces!



Note

- ▶ The value of test point 1 is shown as force F1 on the LICCON monitor 1, the value of test point 3 is shown as force F3, see Crane operating instructions, chapter 4.02!
- ▶ Tension the guying on the test points at disassembly with the same forces as for assembly!
- ▶ For this, refer the ACTUAL forces measured and recorded on the test points during the assembly!
- ▶ The pins can be pulled easier and the pins and lugs are therefore not damaged!



Note

- ▶ Unpin the intermediate sections with the pin pulling device, see Crane operating instructions, chapter 5.30!

NOTICE

Danger of property damage!

If the maximum permissible total forces is not observed when lifting the boom system for disassembly, then crane components can be severely damaged!

- ▶ Do not exceed the maximum permissible total forces!
- ▶ Spool winch 3 **W III** up until the rope is tensioned and the pins **32** are relieved on point **44**.
- ▶ Unpin both lower P-adapter **2** and the S-pivot section **1** on the cross carrier **3**: Release all four pins **32** on point **P44** and unpin.

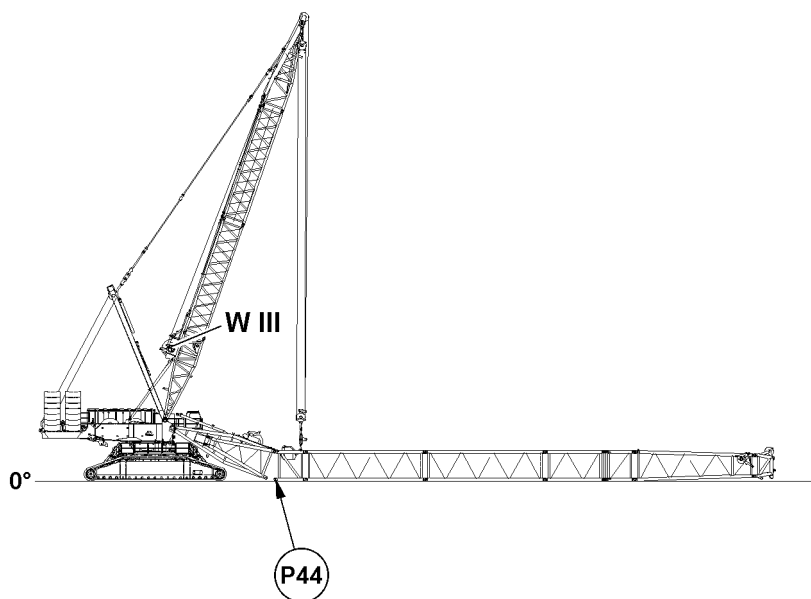


Fig.117314: Open the boom - place the boom on the ground

When the pins 32 are unpinned on point P44:

- Spool out winch 3 W III slowly until the main boom is laying on the ground.

5.9 Removing the upper pulley block on the cross carrier

Make sure that the following prerequisite is met:

- The boom is laying completely on the support on the ground.

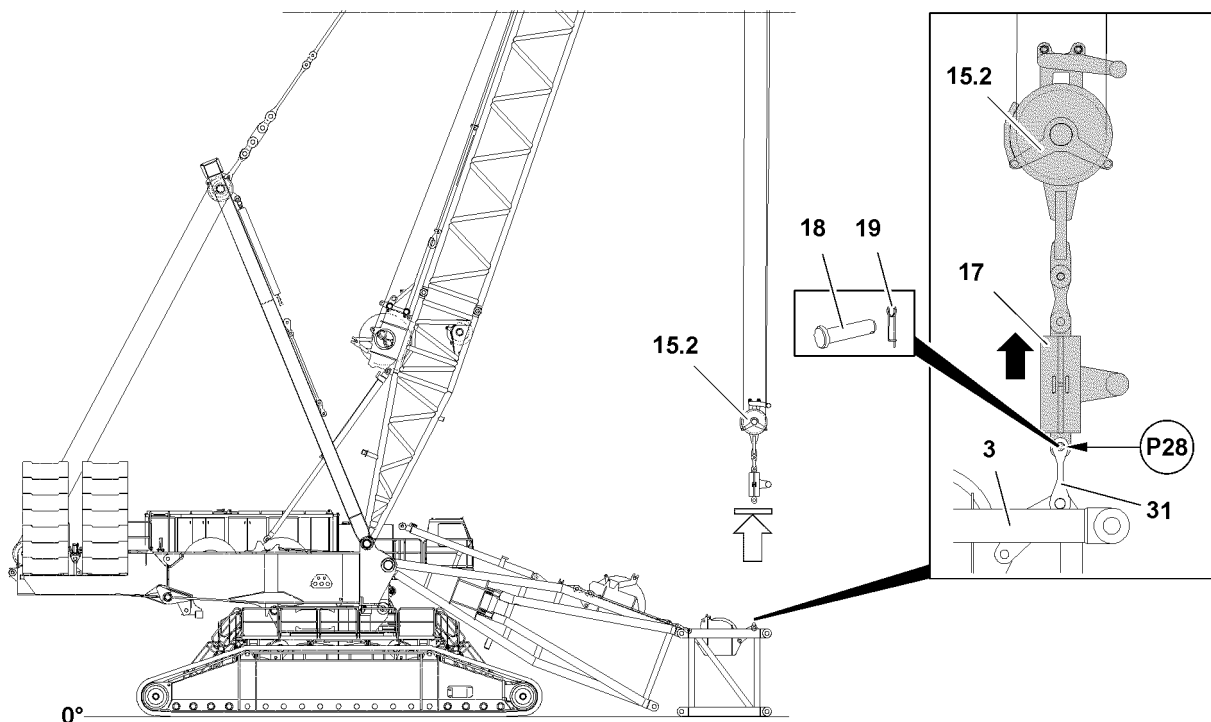


Fig.117434: Removing the upper pulley block on the cross carrier

- Unpin the assembly weight 17 on the brackets 31: Release the pins 18 on both sides on points P28 and unpin.

- ▶ Lift the upper pulley block **15.2** with the auxiliary weight **17** from the assembly range.

5.10 Removing the lattice sections on the cross beam

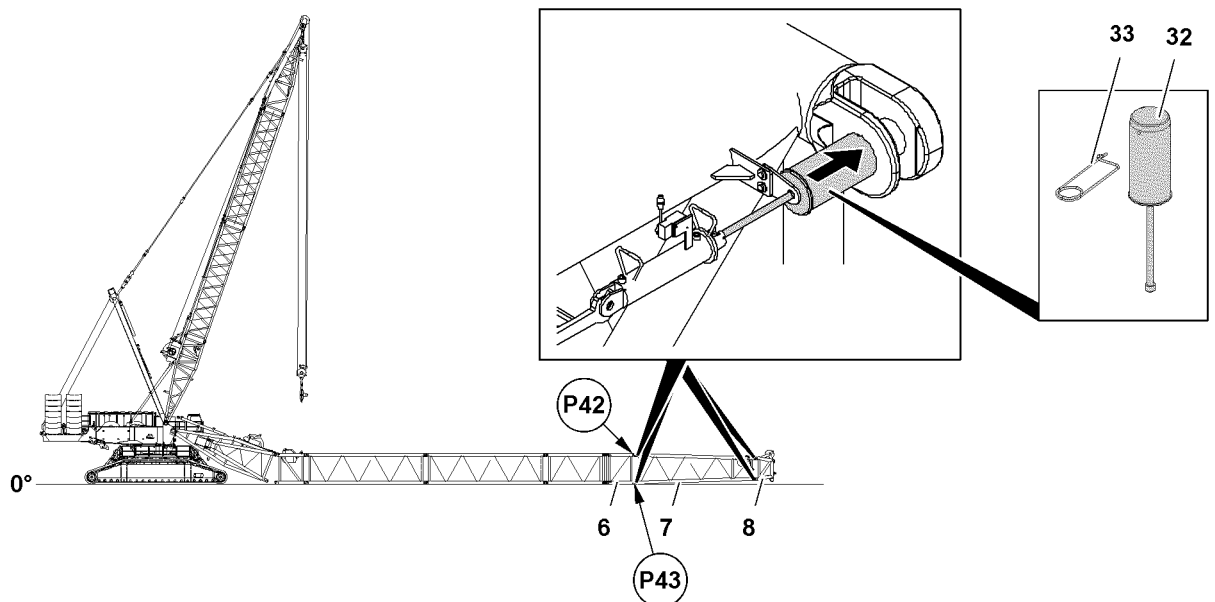


Fig.117435: Removing the lattice sections on the cross beam

Make sure that the following prerequisite is met:

- The boom has been placed down properly.



Note

- ▶ The S-intermediate sections, the S-adapter **7** and the SW-end section **8** are unpinned with the pin pulling device, see Crane operating instructions, chapter 5.30!
- ▶ All pins **32** are to be secured after disassembly of the lattice section with the intended safety elements **33**!
- ▶ Fasten the lattice section on the auxiliary crane, see section „Fastening points of the lattice sections“.
- ▶ Release the pin connection of the lattice section: Release all four pins **32** on point **42** and point **43** and unpin.
- ▶ Lift the lattice section and place down on a suitable storage location.
- ▶ Additional lattice sections - disassemble the same way as described in this section.

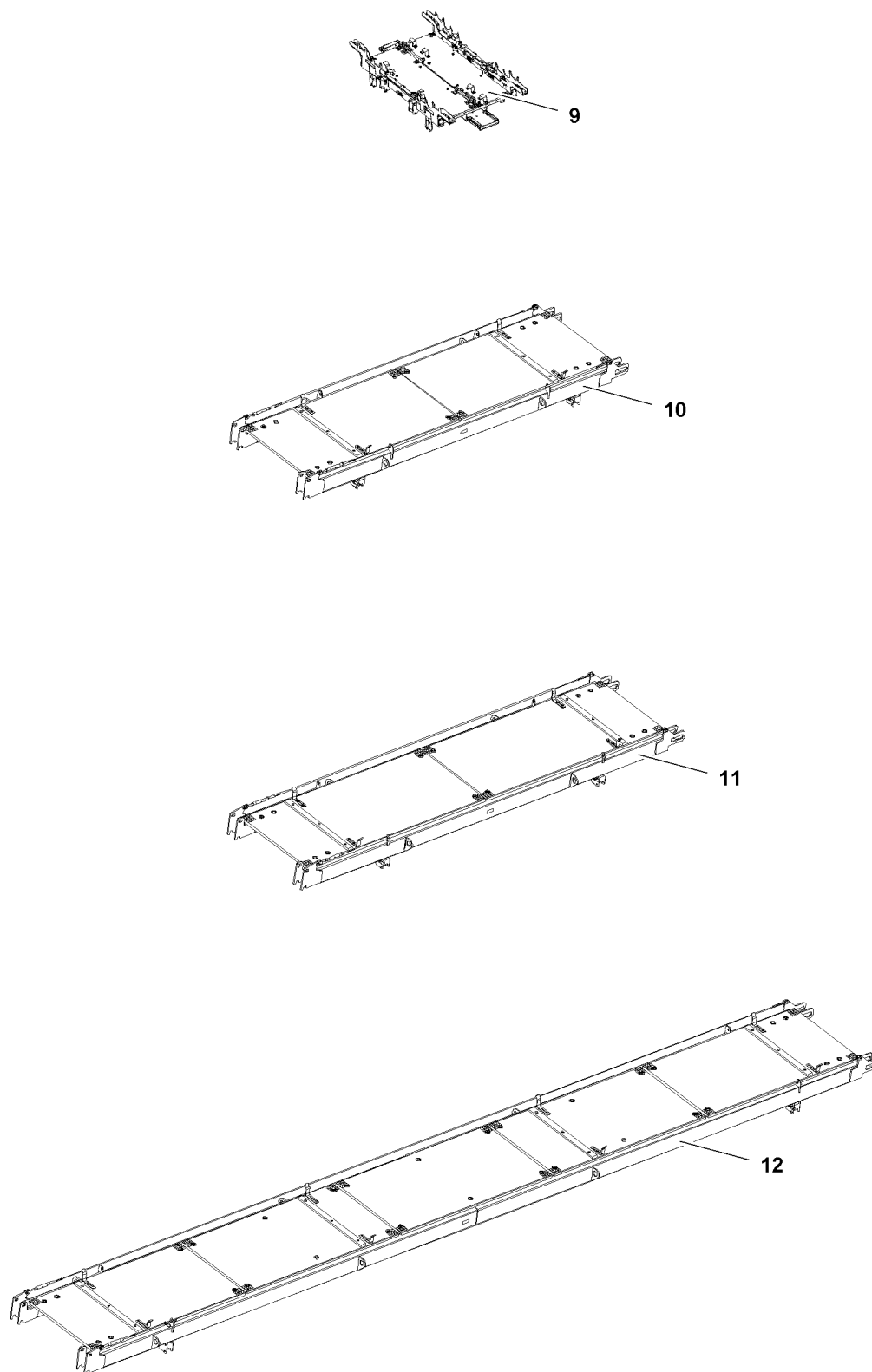


Fig.117313

5.11 Disassembly of bridges



Note

► The following descriptions are an example for the removal of bridges!



WARNING

Danger of falling!

► Make sure that the assembly personnel is secured with the supplied fall arrest system to prevent them from falling when removing the bridges.

Make sure that the following prerequisites are met:

- The upper pulley block is removed on the cross carrier.
- The upper pulley block is lifted out from the assembly area of the bridges.

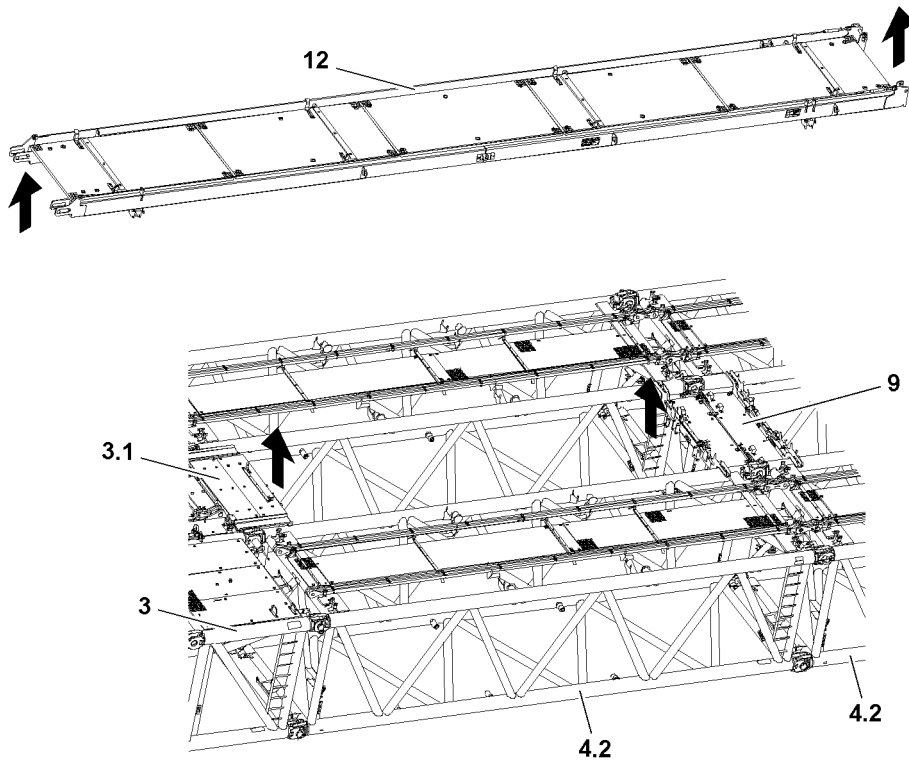
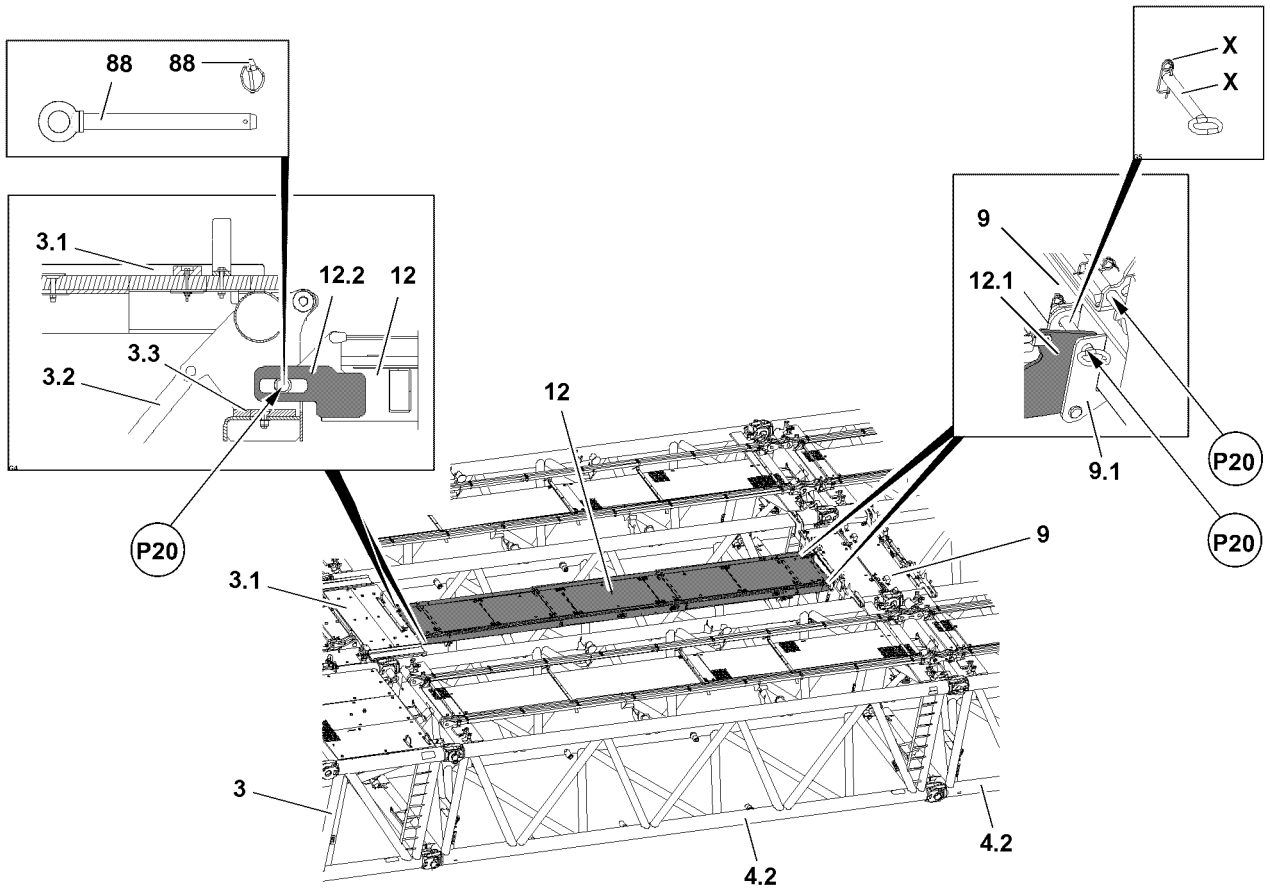


Fig.117436

LWE/LR 11350-005/19004-04-02/en

5.11.1 Disassembly of bridges individually

Disassembly of bridges „lengthwise“



Note

- ▶ The disassembly of all bridges „lengthwise“ is identical.
- ▶ The disassembly of the bridges „lengthwise“ is described on the example of one bridge „lengthwise“.



WARNING

Falling bridges!

Unpinned bridge can fall down.

Personnel can be severely injured or killed!

- ▶ Make sure that the bridge is fastened properly on the auxiliary crane.
- ▶ Make sure that the pins are unpinned only when the fastening equipment on the bridges is tensioned.

- ▶ Attach the bridge „lengthwise“ **12** properly on the auxiliary crane, see section Fastening points.
 - ▶ Carefully bring fastening equipment to tension.
 - ▶ Unpin pins on both sides at point **P**.
 - ▶ Insert the pins on both sides at point **P** in park position and secure.
 - ▶ Unpin pins on both sides at point **P**.
 - ▶ Lift the bridge „lengthwise“ **12** out with the auxiliary crane.
 - ▶ Swing the bridge „lengthwise“ **12** out and place it on the support on the ground.
- or
- ▶ Swing the bridge „lengthwise“ **12** out and place it on the transport vehicle.
 - ▶ Remove additional bridges „lengthwise“ **12** as described above.

Disassembly bridge „lateral“

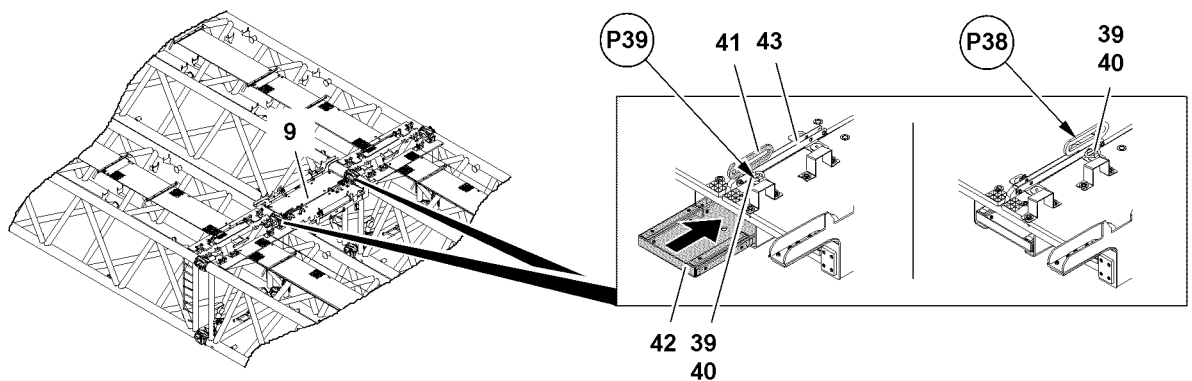


Fig.115402: Remove the bridge - release the bridge



Note

- ▶ The following description is an example for the removal of all bridges!
- ▶ Unpin the handle **41** of the sliding section **42** on the guide bar **43**: Release and unpin the grip pin **39** on point **39**.
- ▶ Bring the sliding section **42** from operation position into transport position: Slide the sliding section **42** in completely with the handle **41**.
- ▶ Pin the handle **41** of the sliding section **42** with the guide bar **43**: Insert the grip pin **39** on point **P38** and secure with locking pin **40**.

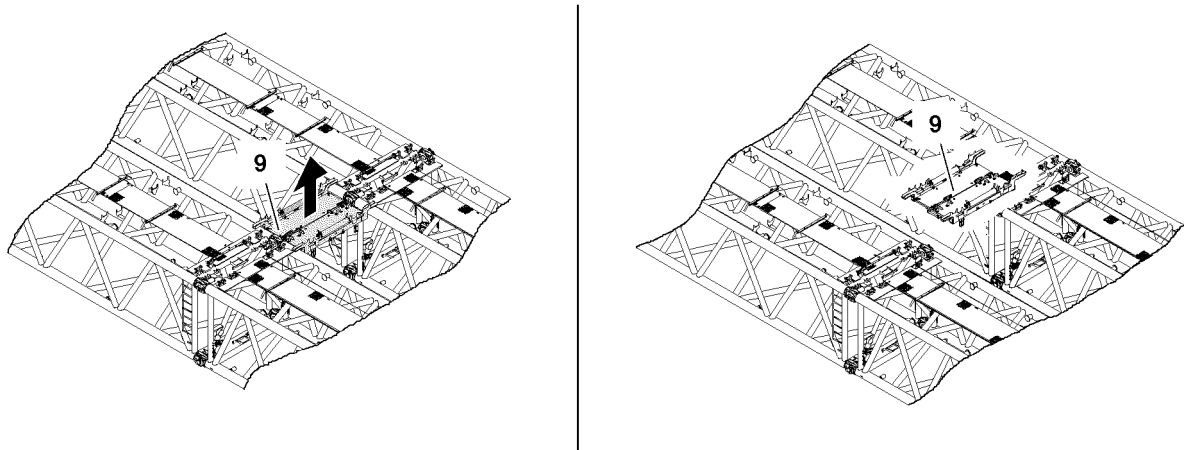


Fig.115403: Remove the bridge - fasten and remove the bridge

- ▶ Fasten the bridge **9** on the auxiliary crane and lift, see section „Fastening points of the lattice sections“.
- ▶ Swing the bridge out with the auxiliary crane and place it on a suitable support.

Empty page!

LWE/LR 11350-005/19004-04-02/en

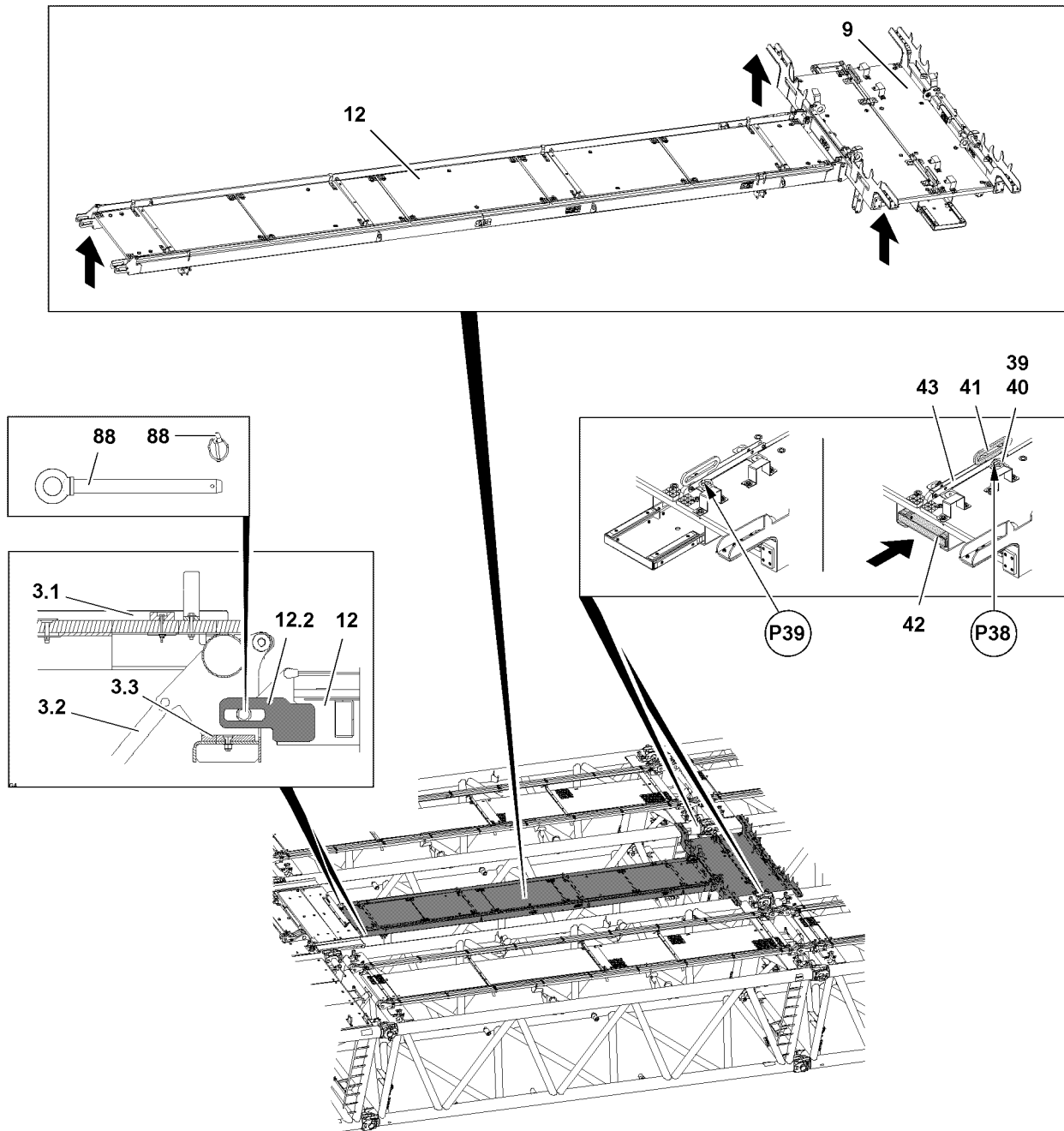


Fig.117439

5.11.2 Disassembly of preassembled bridges



Note

- ▶ The disassembly of all preassembled bridges is identical.
- ▶ The disassembly of the preassembled bridges is described on the example of one preassembled bridge.



WARNING

Danger of accident!

- ▶ Make sure that the removal of preassembled bridges is started from the cross bar **6**.



WARNING

Falling bridges!

Unpinned bridge can fall down.

Personnel can be severely injured or killed!

- ▶ Make sure that the preassembled bridge is fastened properly on the auxiliary crane.
- ▶ Make sure that the pins are unpinned only when the fastening equipment on the bridges is tensioned.

Make sure that the following prerequisite is met:

- The cross beam is properly pinned and secured on both upper P-adapters.

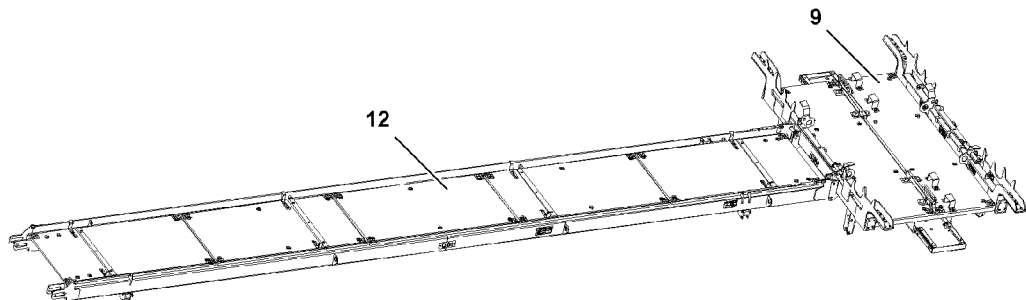


Fig.117437

- ▶ Attach the preassembled bridge properly on the auxiliary crane, see section „Fastening points“.
- ▶ Carefully bring fastening equipment to tension.
- ▶ Release the preassembled bridge at point **P** and slide the sliding sections in completely on bridge „lateral“.

Result:

- The preassembled bridge is completely released.
- The preassembled bridge can be lifted out.
- ▶ Lift the preassembled bridge with the auxiliary crane.
- ▶ Swing the preassembled bridge out with the auxiliary crane and place it on a suitable support.
- ▶ Disconnect the preassembled bridge.
- ▶ Additional preassembled bridges - disassemble the same way as described in this section.

5.12 Removing the lattice sections of the PD-boom

5.12.1 Removing the cross beam



Note

- ▶ The hydraulic supply for the disassembly of the upper P-adapters **5** is made via the external hydraulic aggregate!



WARNING

Pressure in the hydraulic lines!

If the pressure supply is not interrupted before connecting / releasing the hydraulic lines, the hydraulic oil can escape with high pressure!

Personnel can be severely injured or killed!

- ▶ Release the pressure in the hydraulic system before connecting / disconnecting: Interrupt the pressure supply and wait for a short time!

Make sure that the following prerequisite is met:

- The bridges are completely removed on the P-boom.

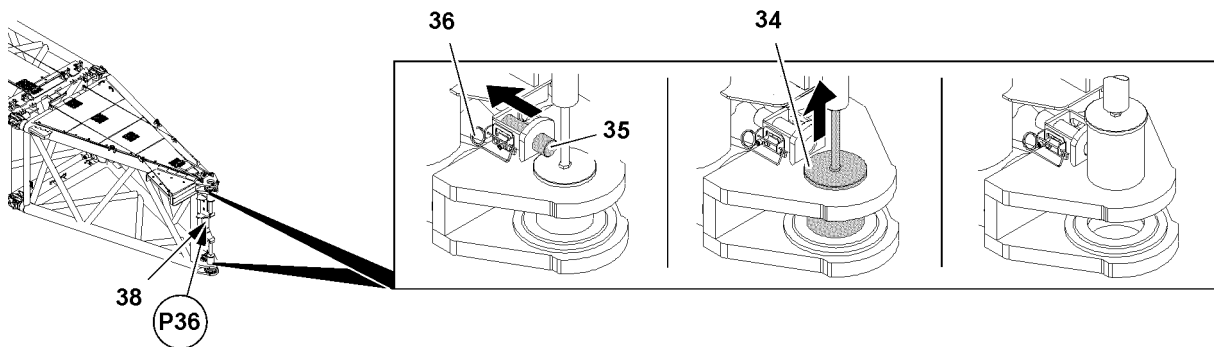


Fig.115404: Remove the cross beam - remove the left retaining pin

- ▶ Fasten the auxiliary crane, see section „Fastening points of the lattice sections“.

The pins **34** must be released before unpinning.

- ▶ Release the retaining pin **35**.
- ▶ Slide the retaining pin **35** in to the stop and lock the screw in place „downward“.
- ▶ Secure the retaining pin **35** with spring retainer **36**.

Result:

- The pins **34** are released.

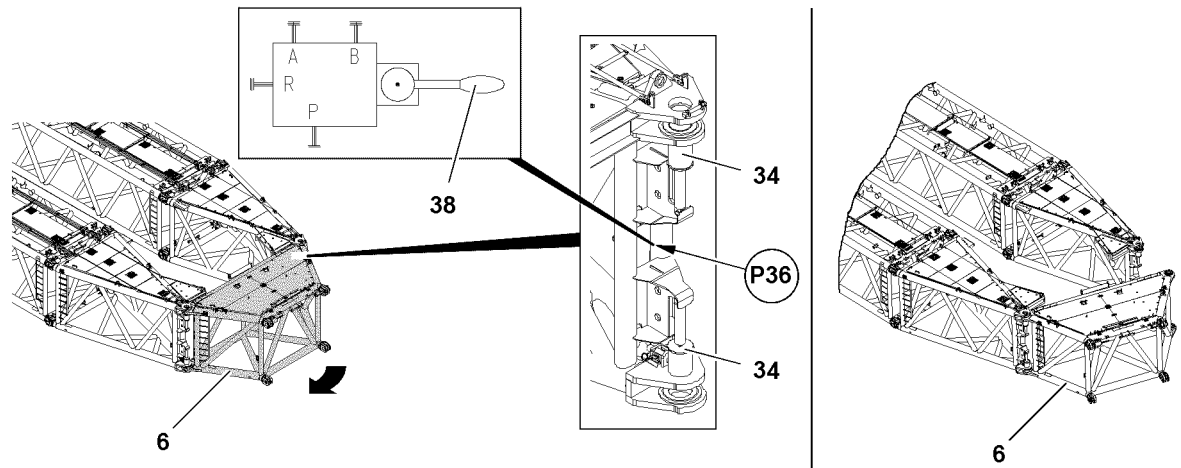


Fig.117440: Remove the cross beam - unpin the cross beam on the left

- ▶ Establish the hydraulic connection on point **P36**: Connect the coupling parts (sleeve and plug) and screw together by hand until the hand nut is turned to a noticeable, fixed stop.
- ▶ Actuate the hand lever **38** until the pins **34** are completely unpinned.
- ▶ Disconnect the hydraulic connection on point **P36**: Install the coupling components (sleeve and plug) with the hand-tightened nut.
- ▶ Install dust caps on the quick couplings.
- ▶ Swing the cross beam up.

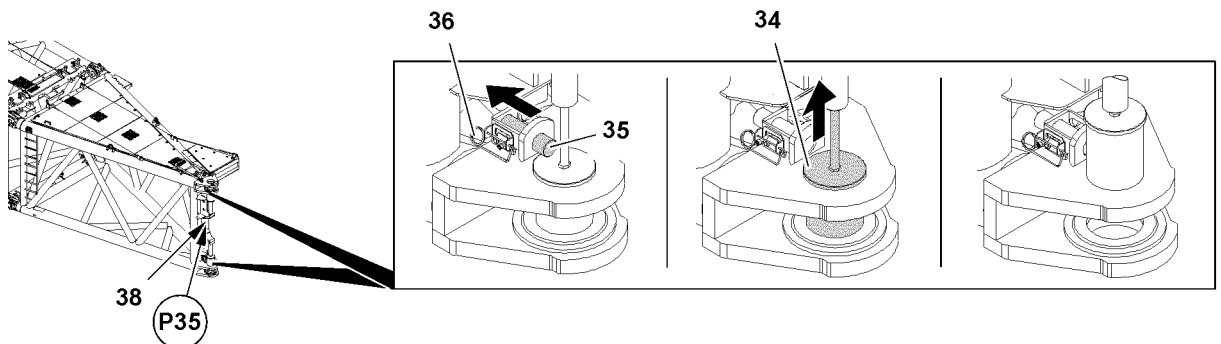


Fig.115406: Remove the cross beam - remove the right retaining pin

The pins **34** must be released before unpinning.

- ▶ Release the retaining pin **35**.
- ▶ Slide the retaining pin **35** in to the stop and lock the screw in place „downward“.
- ▶ Secure the retaining pin **35** with spring retainer **36**.

Result:

- The pins **34** are released.

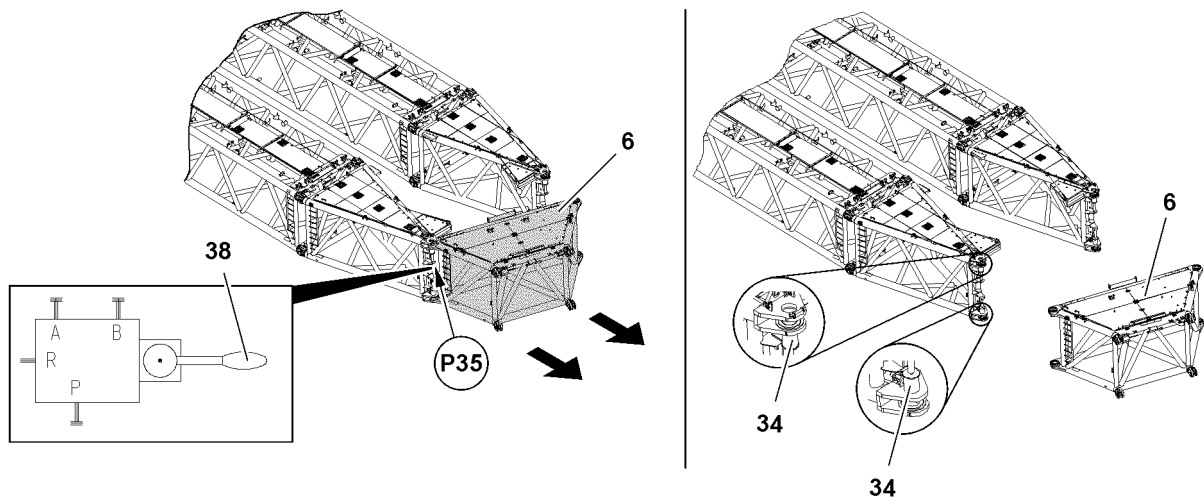


Fig.117441: Remove the cross beam - unpin the cross beam on the right

- ▶ Establish the hydraulic connection on point **P35**: Connect the coupling parts (sleeve and plug) and screw together by hand until the hand nut is turned to a noticeable, fixed stop.
- ▶ Actuate the hand lever **38** until the pins **34** are completely uninned.
- ▶ Disconnect the hydraulic connection on point **P35**: Install the coupling components (sleeve and plug) with the hand-tightened nut.
- ▶ Install dust caps on the quick couplings.
- ▶ Lift and remove the cross beam **6**.

5.12.2 Removing the upper P-adapters

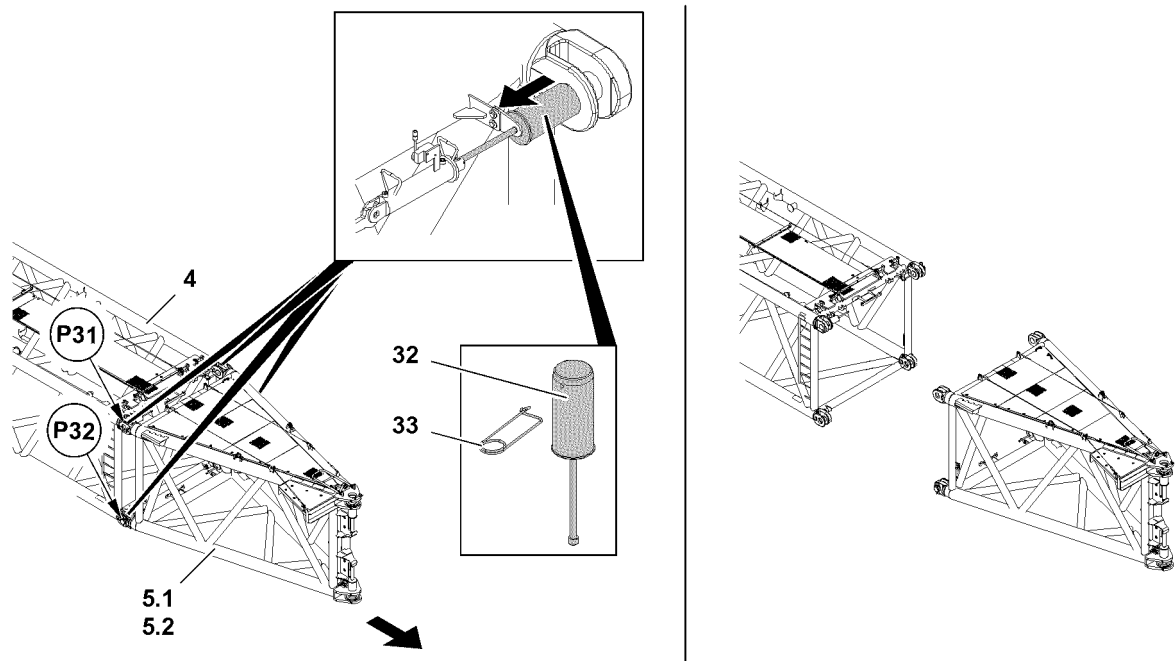


Fig.115408: Removing the upper P-adapters

Make sure that the following prerequisites are met:

- The cross beam is completely disassembled.
- The hydraulic connection to the upper P-adapter is completely separated.

**Note**

- ▶ The upper P-adapters **5** are unpinned with the pin pulling device, see Crane operating instructions, chapter 5.30!

On both lattice sections of S-intermediate sections **4**, remove respectively the upper P-adapter **5** (left: upper P-adapter **5.2**, right: upper P-adapter **5.1**).

- ▶ Fasten the upper P-adapter **5** on the auxiliary crane, see section „Fastening points of the lattice sections“.
- ▶ Unpin the upper P-adapter **5** on the S-intermediate section **4**: Release the pin **32** on both sides on point **P31** and on point **P32** and unpin with the pin pulling device.
- ▶ Lift the upper P-adapter **5** and place down on a suitable storage location.

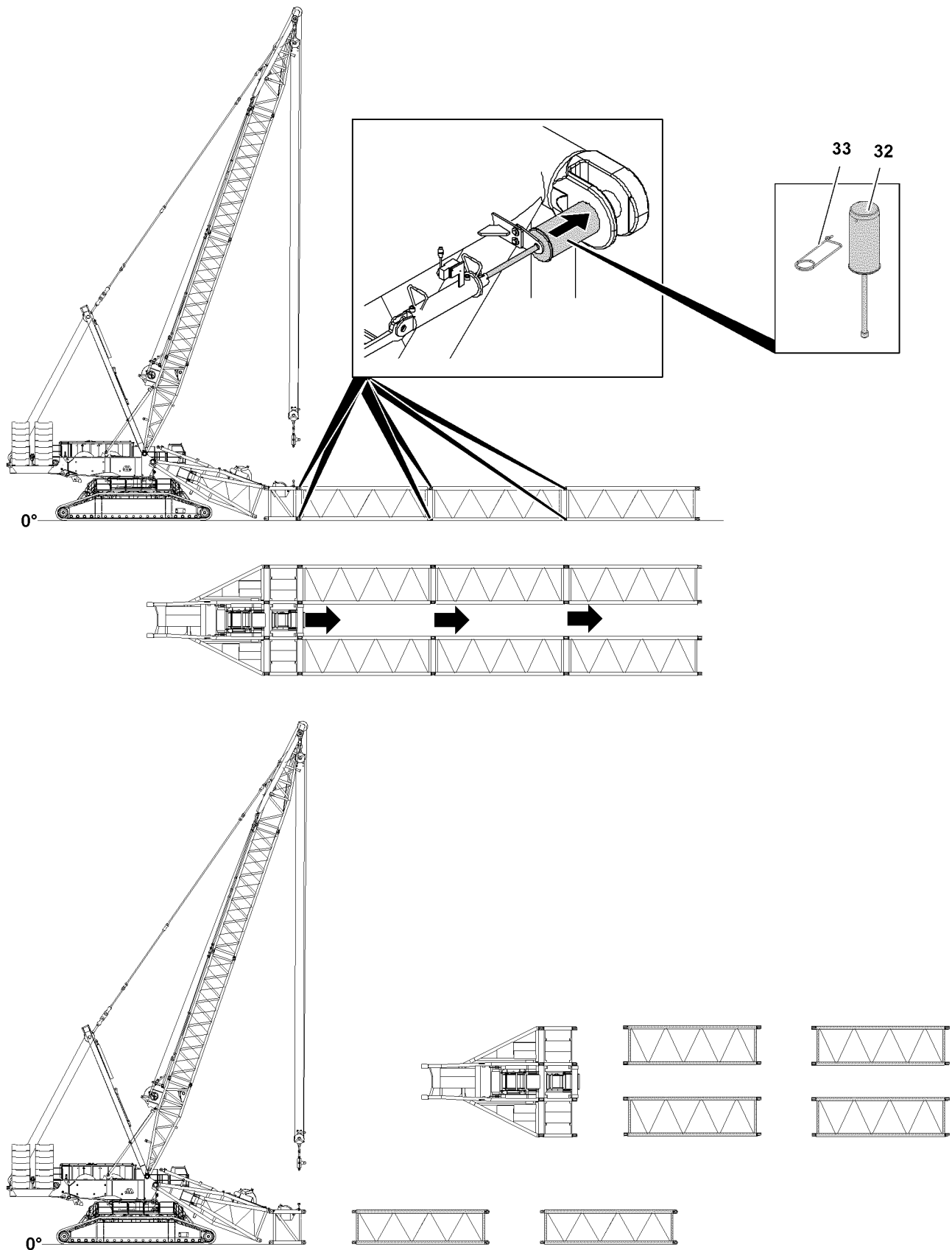


Fig.117438

LWE/LR 11350-005/19004-04-02/en

5.12.3 Removing the S-intermediate sections on the cross carrier



Note

- ▶ The S-intermediate sections **4** are unpinned with the pin pulling device, see Crane operating instructions, chapter 5.30!
-

The disassembly is described on the example of an intermediate section.

- ▶ Fasten the lattice section on the auxiliary crane, see section „Fastening points of the lattice sections“.
- ▶ Unpin the S-intermediate section **4** on both sides on the „bottom“: Remove the spring retainer **33** and unpin the pin **32**.
- ▶ Unpin the S-intermediate section **4** on both sides on „top“: Remove the spring retainer **33** and unpin the pin **32**.
- ▶ Lift the S-intermediate section **4** and remove.
- ▶ If additional lattice sections are disassembled: Disassemble additional lattice sections the same way as described in this section.

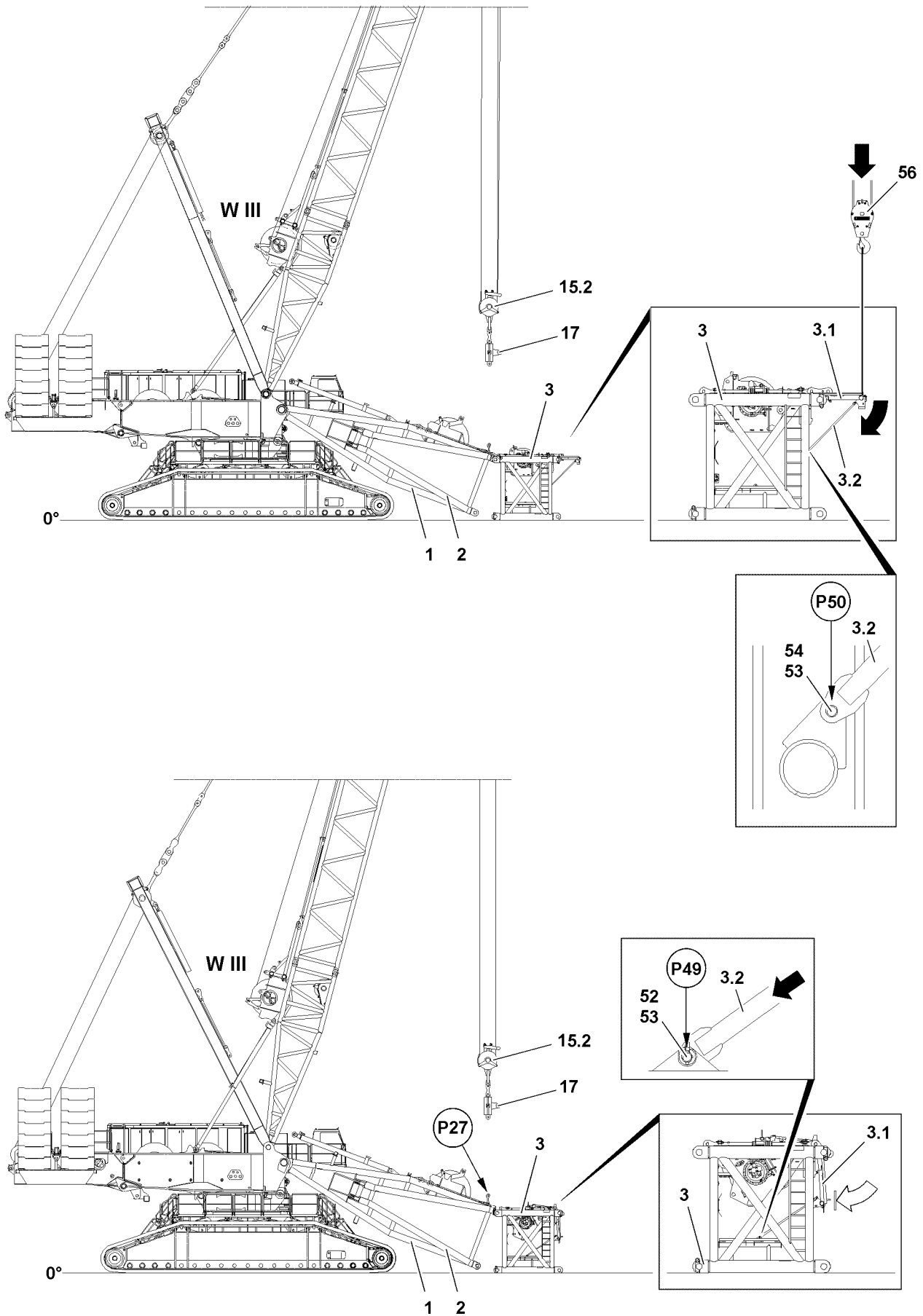


Fig.117458

LWE/LR 11350-005/19004-04-02/en

5.12.4 Bringing the platform on the cross carrier into transport position

Make sure that the following prerequisites are met:

- The upper pulley block is removed on the S-pivot section.
- The upper pulley block is raised.

▶ Attach the platform **3.1** on the auxiliary crane **56**.

When the platform **3.1** is safely held by the auxiliary crane **56**:

▶ Release pins **54** on both sides at point **P50** and unpin!

NOTICE

Danger of property damage!

▶ Guide the supports **3.2** to point **P49** when lowering the platform **3.1**.

▶ Lower the platform **3.1** with the auxiliary crane.

When the platform **3.1** is in transport position:

▶ Pin the supports **3.2** on both sides at point **P49** and secure.

When the platform **3.1** is properly pinned and secured:

▶ Remove the auxiliary crane.

5.12.5 Removing the cross carrier

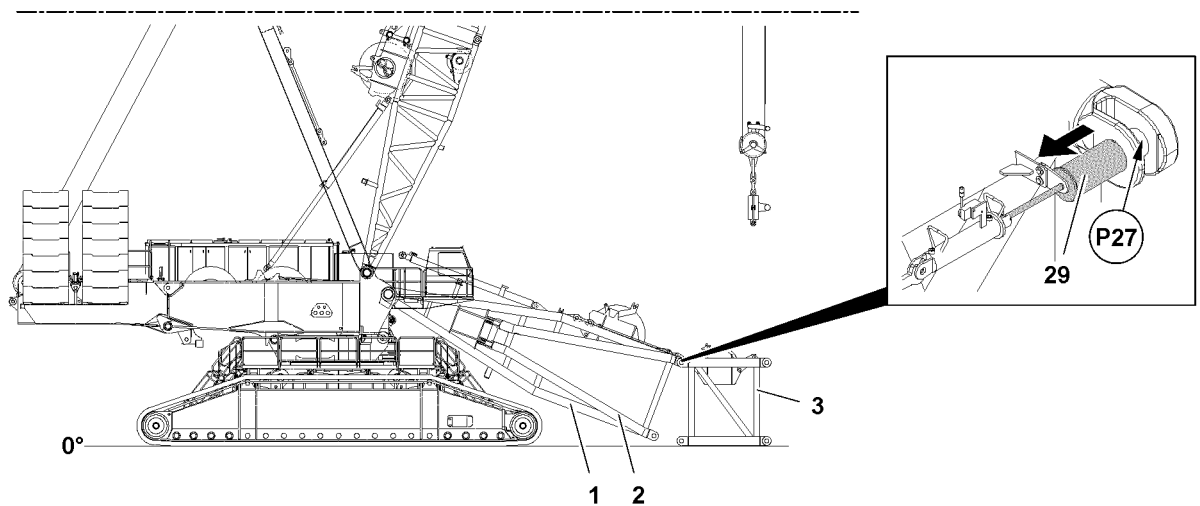


Fig.115411: Removing the cross carrier

▶ Fasten the cross carrier **3** on the auxiliary crane, see section „Fastening points of the lattice sections“.



Note

▶ The pinning or unpinning is carried out with the pin pulling device, see Crane operating instructions, chapter 5.30!

▶ Unpin the cross carrier **3** on the lower P-adapters **2** and on the S-pivot section **1**: Release and unpin all four pins **29** on points **P27**.

▶ Lift the cross carrier **3** and remove.

5.12.6 Pinning the upper pulley block on the S-pivot section

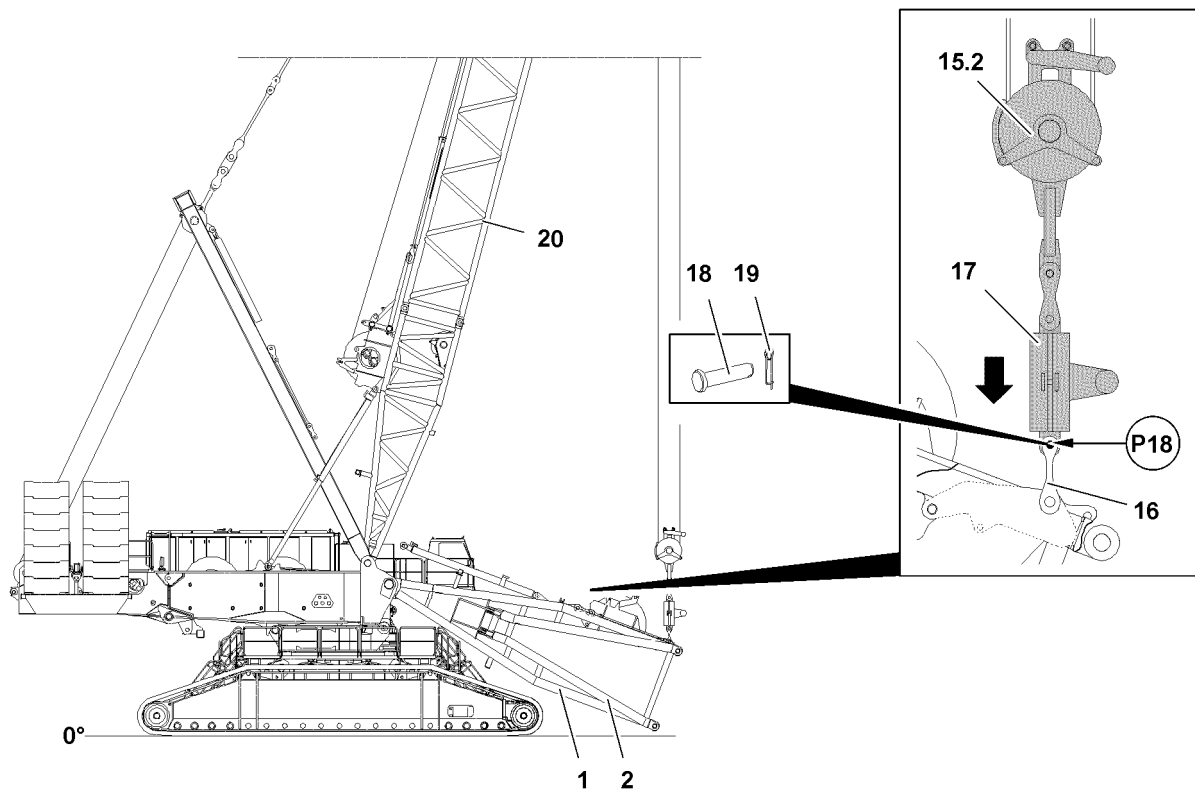


Fig.115412: Pinning the upper pulley block on the S-pivot section

Make sure that the following prerequisites are met:

- The S-pivot section **1** is placed on the ground on the support base.
- The auxiliary crane is removed.
- ▶ Luff the D-boom **20** up until the upper pulley block **15.2** hangs freely with the assembly weight **17** over the bracket **16** on the S-pivot section **1**.
- ▶ Pin the assembly weight **17** with the brackets **16**: Insert the pin **18** on both sides on points **P18** and secure with spring retainer **19**.
- ▶ Spool winch **3 W III** up carefully until the S-pivot section **1** is aligned horizontally.

Empty page!

LWE/LR 11350-005/19004-04-02/en

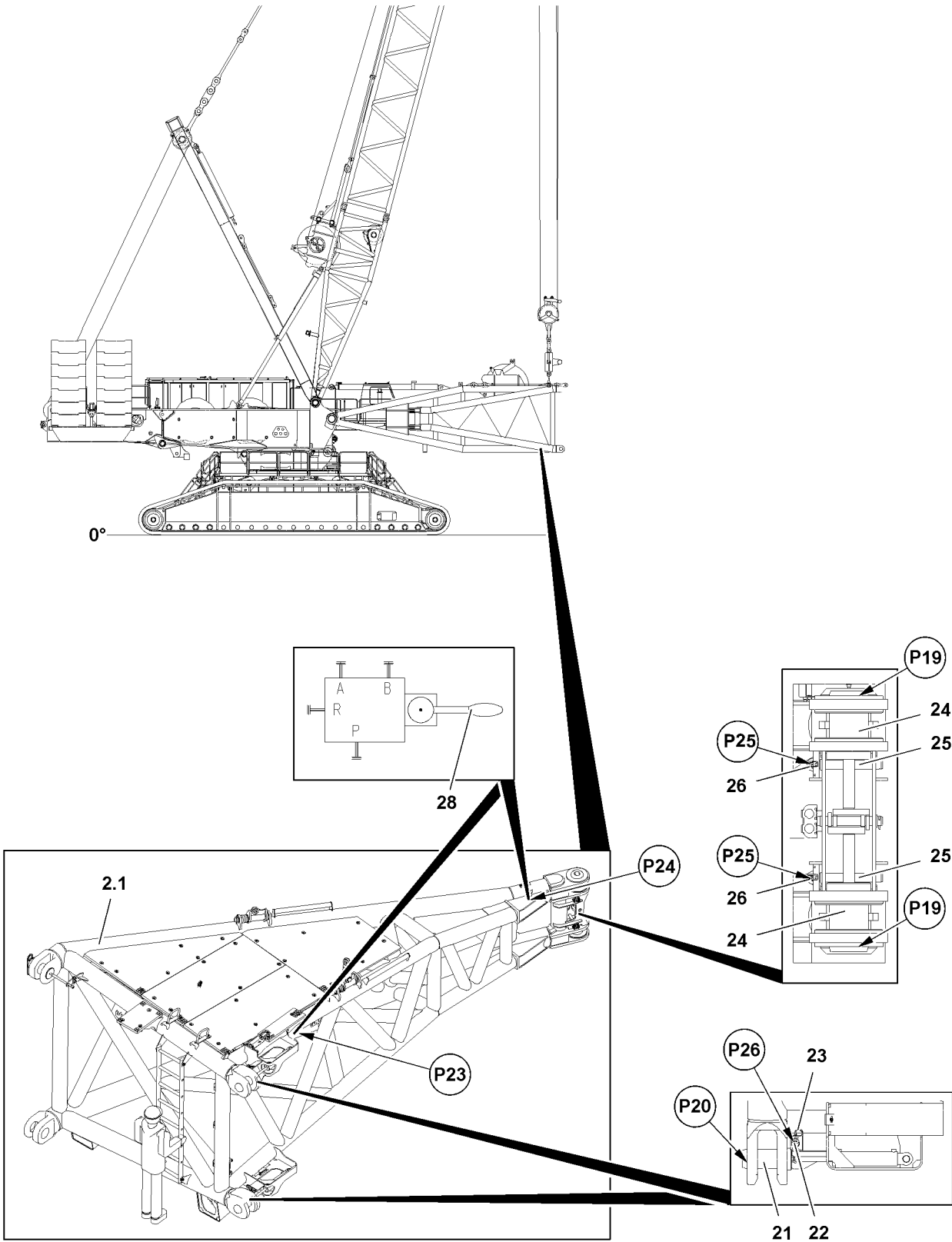


Fig.115413

5.12.7 Removing the lower P-adapters



Note

- ▶ The hydraulic supply for the disassembly of the lower P-adapters **2** is made via the external hydraulic aggregate!



WARNING

Pressure in the hydraulic lines!

If the pressure supply is not interrupted before connecting / releasing the hydraulic lines, the hydraulic oil can escape with high pressure!

Personnel can be severely injured or killed!

- ▶ Release the pressure in the hydraulic system before connecting / disconnecting: Interrupt the pressure supply and wait for a short time!

Make sure that the following prerequisites are met:

- The S-pivot section **1** is horizontally aligned.
- A hydraulic aggregate is available.

The disassembly is described on the example of the right, lower P-adapter **2.1**.

- ▶ Fasten the lower P-adapter **2.1** on the auxiliary crane, see section „Fastening points of the lattice sections“.
- ▶ Establish the hydraulic connection on point **P23**: Connect the coupling parts (sleeve and plug) and screw together by hand until the hand nut is turned to a noticeable, fixed stop.
- ▶ Release the retaining pins **22** on both sides on points **P26** and unpin.
- ▶ Insert both retaining pins **22** in the retainer and secure with locking pin **23**.
- ▶ Actuate the hand lever **28** until the pins **21** on point **P20** are completely unpinned.
- ▶ Disconnect the hydraulic connection on point **P23**: Install the coupling components (sleeve and plug) with the hand-tightened nut.
- ▶ Install dust caps on the quick couplings.
- ▶ Establish the hydraulic connection on point **P24**: Connect the coupling parts (sleeve and plug) and screw together by hand until the hand nut is turned to a noticeable, fixed stop.
- ▶ Release the retaining pins **25** on both sides on points **P25** and unpin.
- ▶ Insert both retaining pins **25** in the retainer and secure with locking pin **26**.
- ▶ Actuate the hand lever **28** until the pins **24** on point **P19** are completely unpinned.
- ▶ Disconnect the hydraulic connection on point **P24**: Install the coupling components (sleeve and plug) with the hand-tightened nut.
- ▶ Install dust caps on the quick couplings.
- ▶ Lift the lower P-adapter **2.1** and remove.
- ▶ Remove the left, lower P-adapter **2.2** the same way as described in this section.

5.12.8 Unpinning the upper pulley block on the S-pivot section

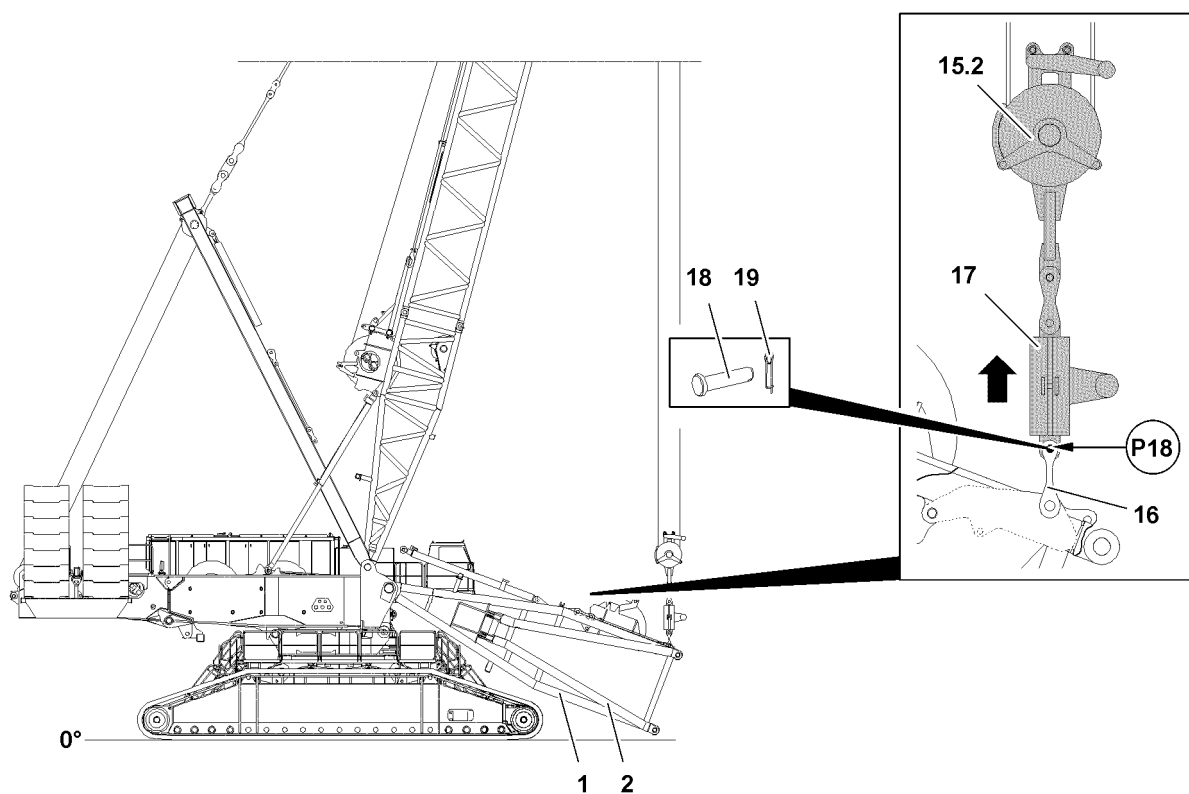


Fig.115414: Unpinning the upper pulley block on the S-pivot section

Make sure that the following prerequisite is met:

- The S-pivot section **1** is placed completely on the ground on the support base.
- ▶ Unpin the assembly weight **17** on the brackets **16**: Release pins **18** on both sides on point **P18** and unpin.

Result:

- The upper pulley block **15.2** is completely unpinned.

Empty page!

LWE/LR 11350-005/19004-04-02/en

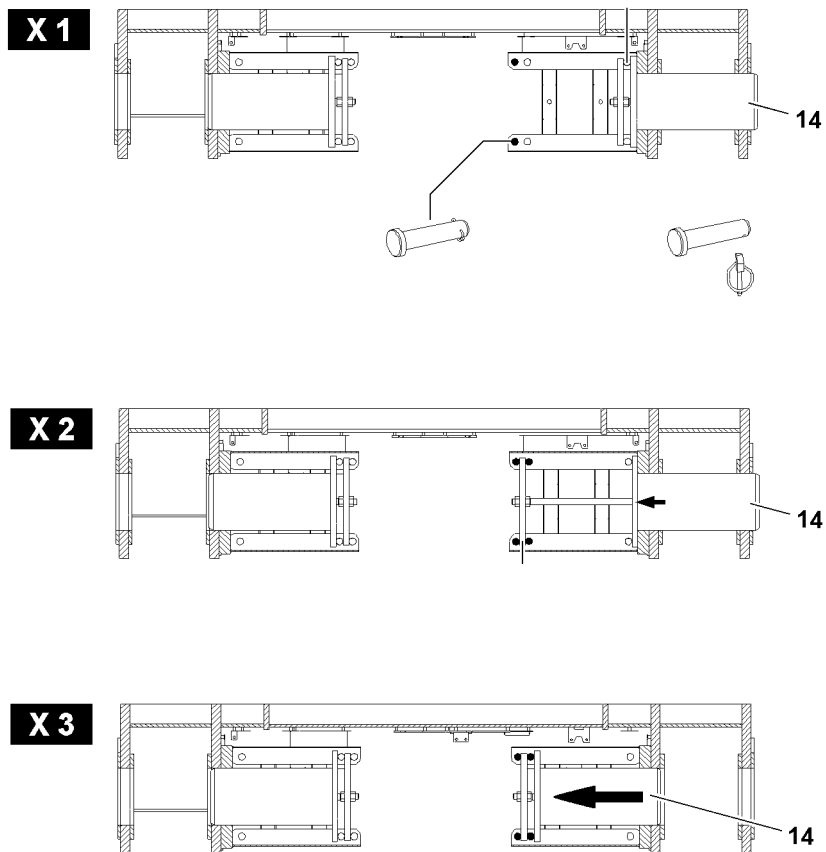
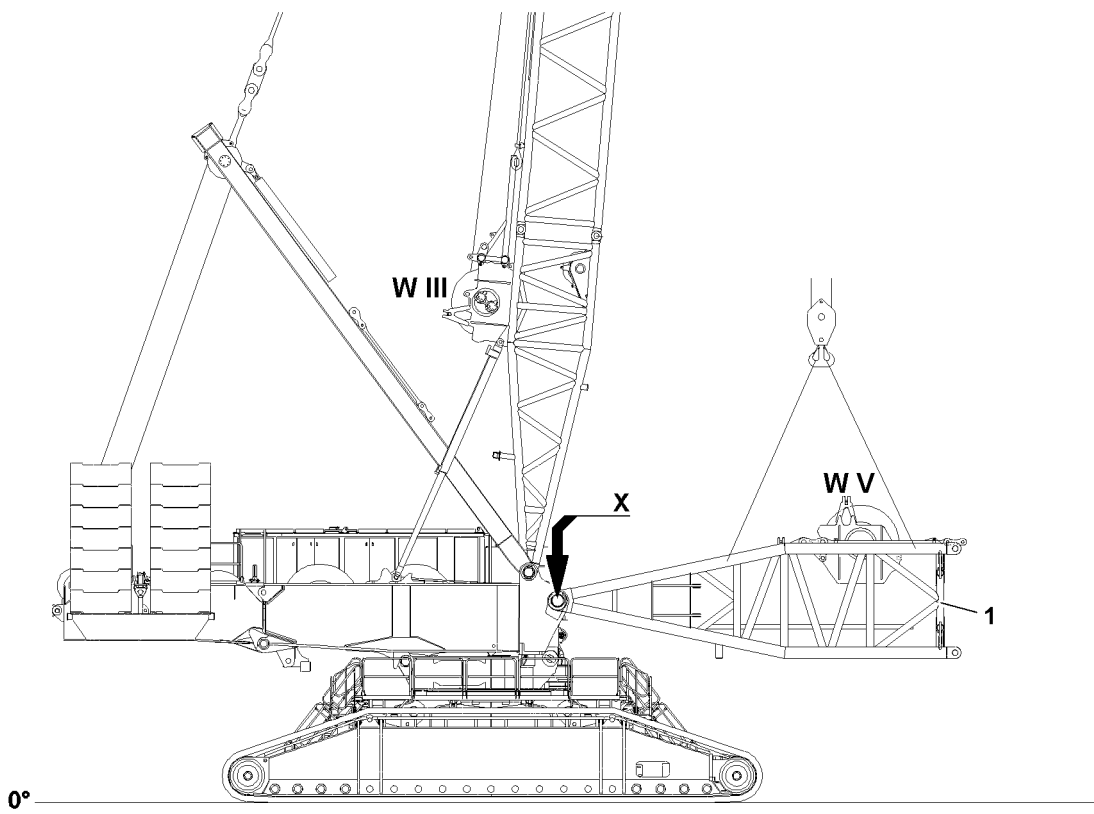


Fig.117197

LWE/LR 11350-005/19004-04-02/en

5.12.9 Disassembling the S-pivot section



WARNING

General danger notes!

Personnel can be severely injured or killed!

- ▶ Insert and secure all pins after disassembly in the intended transport receptacles!

Make sure that the following prerequisite is met:

- The D-boom is erected to the point where the S-pivot section can be disassembled without obstructions.



Note

- ▶ Select the fastening points on the S-pivot section in such a way that the S-pivot section hangs horizontally on the auxiliary crane at disassembly. See section „Fastening points of the lattice sections“!

When winch 5 **W V** is deactivated:

- ▶ Attach the S-pivot section **1** on the fastening points **P1** and fastening points **P2** on the auxiliary crane.

or

When winch 5 **W V** is installed:

- ▶ Attach the S-pivot section **1** on the fastening points **P1** and fastening points **P3** on the auxiliary crane.
- ▶ Lift the S-pivot section **1** with the auxiliary crane to the horizontal.
- ▶ Establish the hydraulic connection to the pin pulling device.



WARNING

Falling pivot section!

Personnel can be severely injured or killed!

- ▶ Make sure that the S-pivot section **1** is safely held by the auxiliary crane before unpinning the pins **14**!

- ▶ Unpin the S-pivot section **1** on the turntable, see Crane operating instructions, chapter 5.38.

NOTICE

Damage of the turntable and the S-pivot section!

- ▶ Slowly swing the S-pivot section out with the auxiliary crane and at low speed on the turntable!
- ▶ Before placing it on the ground, support the S-pivot section!

When the connector pins **14** on the S-pivot section **1** are fully unpinned on both sides:

- ▶ Swing the S-pivot section **1** out on the turntable with the auxiliary crane and place it down.
- ▶ Remove the auxiliary crane.



Note

- ▶ Disassemble the D-boom, see Crane operating instructions, chapter 5.05!

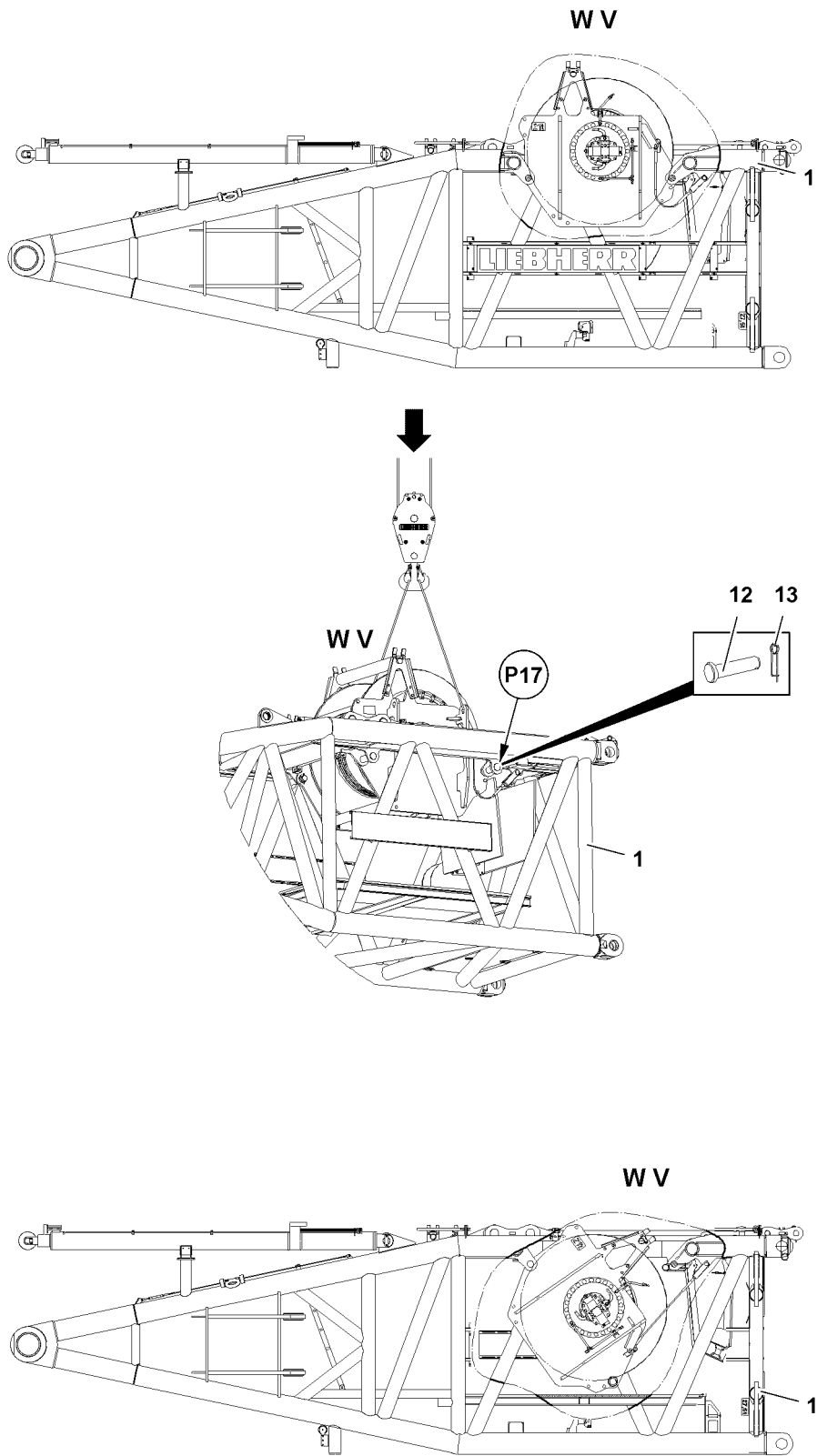


Fig.115415

5.13 Final tasks on the S-pivot section

5.13.1 Installing winch 5 in transport position

Make sure that the following prerequisite is met:

- The S-pivot section 1 is placed on the ground.
- ▶ Disconnect the hydraulic connection to winch 5 **W V**.
- ▶ Disconnect the electrical connection to winch 5 **W V**.
- ▶ Attach winch 5 **W V** on the auxiliary crane.
- ▶ Bring winch 5 **W V** with the auxiliary crane into transport position.
- ▶ Unpin winch 5 **W V** on the S-pivot section 1: Release pins **12** on both sides on point **P17** and unpin.
- ▶ Lower winch 5 **W V** with the auxiliary crane until winch 5 **W V** hangs on the retaining ropes.
- ▶ Remove the auxiliary crane.

5.13.2 Assembling the catwalk / assembly platform in transport position



Note

- ▶ For disassembly of the catwalk / assembly platform, see Crane operating instructions, chapter 2.06.

5.13.3 Installing the railings in transport position



WARNING

Danger of falling!

During assembly and disassembly of the railings, personnel must be secured with appropriate aids to prevent them from falling (for example: with personal protective equipment)!

Even for assembly/disassembly of protective devices there is a danger of falling!

Assembly personnel can fall and be severely injured or killed!

- ▶ For assembly and disassembly work, maintenance and inspection work on the S-pivot section, all railings and the assembly platform must be assembled and secured!
- ▶ Only step on S-pivot section with „clean shoes“!



Note

- ▶ See Crane operating instructions, chapter 2.06!

- ▶ Disassemble the railings properly.

Fig.195219

LWE/LR 11350-005/19004-04-02/en

1 Components

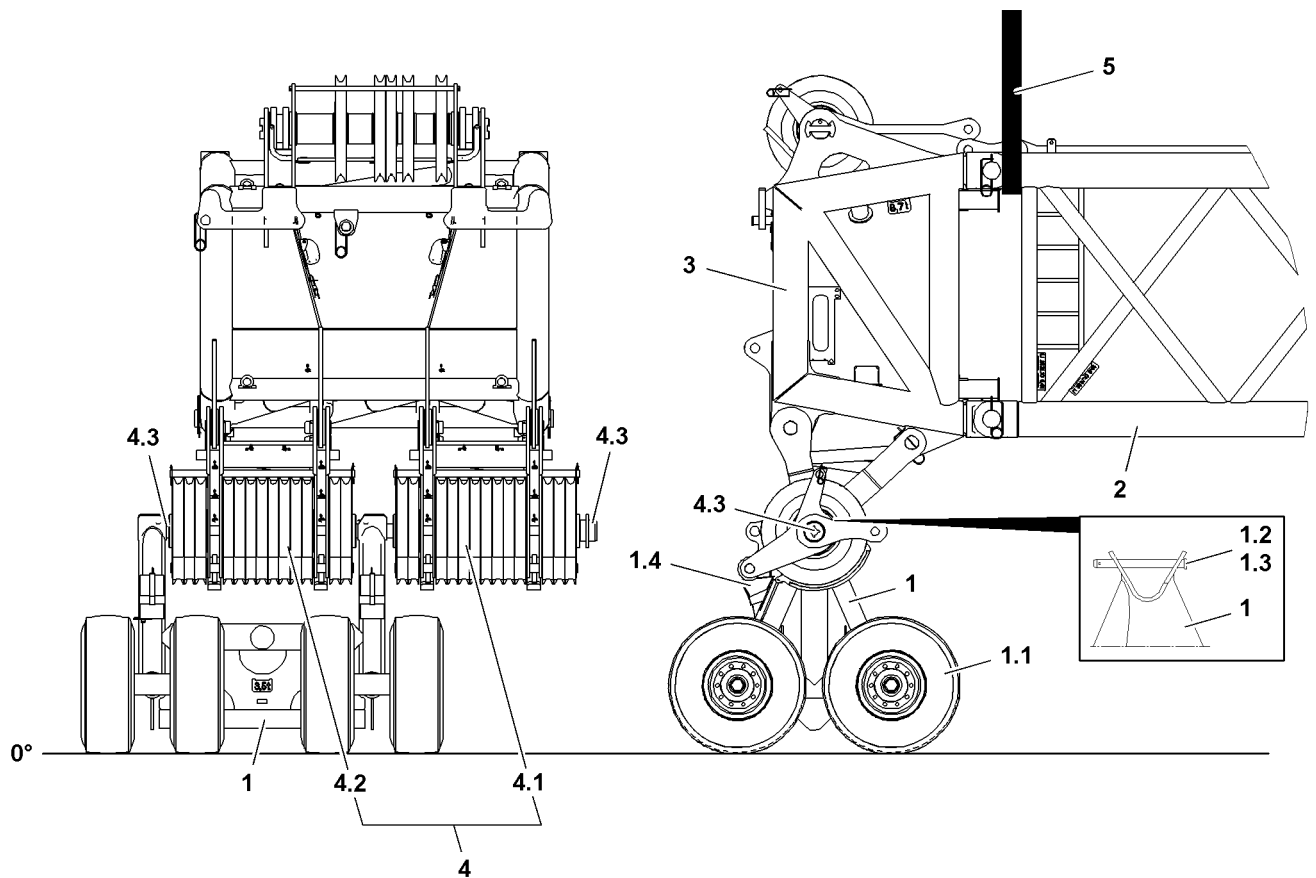


Fig.121584: Components on pulley carts and boom head

	Description
1	Pulley cart
1.1	Tires
1.2	Retaining pin
1.3	Spring retainer
1.4	Wedge
2	LI-intermediate section
3	SW-end section
4	Pulley sets
4.1	Pulley set left
4.2	Pulley set right
4.3	Axle Pulley set
5	Fastening equipment

LWE/LR 11350-005/19004-04-02/en

2 Fastening points Pulley cart



Note

- The fastening points (point **P1** and point **P2**) are to be used solely for handling the pulley cart with the auxiliary crane.

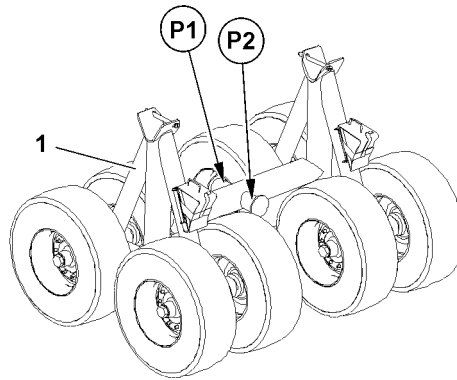


Fig.121585: Fastening points Pulley cart

Fastening points	
P1 + P2	Transport / Handling pulley cart

3 Assembly variations Pulley cart

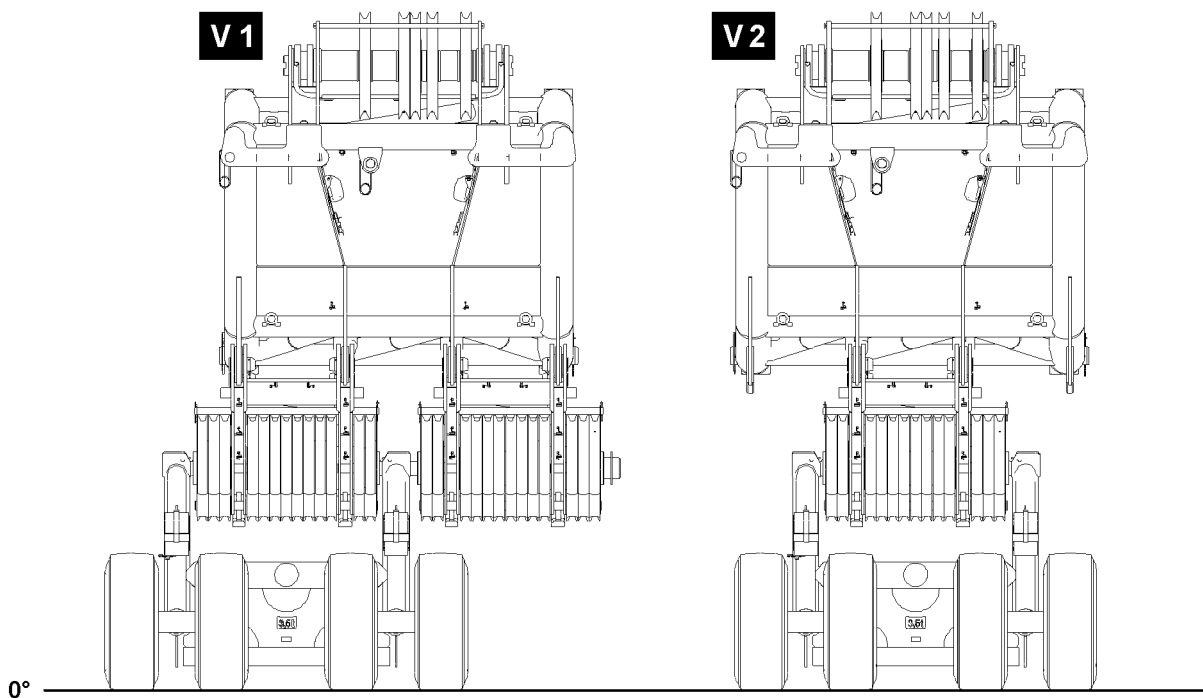


Fig.121631: Pulley cart assembly on the boom

Pulley cart assembly	
Variation 1 V1	Variation 2 V2
Pulley cart assembly with two installed pulley sets on the boom end section	Pulley cart assembly with one installed pulley set on the boom end section

4 Assembly

4.1 Placing the W-lattice jib into the pulley cart



WARNING

Danger of accident during assembly / disassembly of pulley cart!

At assembly / disassembly of the pulley cart, limbs can be crushed or severed.

Personnel can be severely injured or killed.

- ▶ Make sure that no personnel are between the pulley cart and the W-lattice jib during assembly / disassembly work.
- ▶ Make sure that the pulley cart is secured at set down to prevent it from rolling off.
- ▶ Make sure that the danger notes in the Crane operating instructions chapter 5.01 are observed.

NOTICE

Damage to boom - lattice sections!

If the W-lattice jib is fastened incorrectly and lifted, then boom - lattice sections can be severely damaged.

Expensive and extensive repairs can result.

- ▶ Make sure that the W-lattice jib is solely fastened on the intended locations, observe Crane operating instructions, chapter 5.01.
- ▶ Make sure that the W-lattice jib is **not** fastened and lifted on the bits of the boom end section or the bits of the intermediate sections.

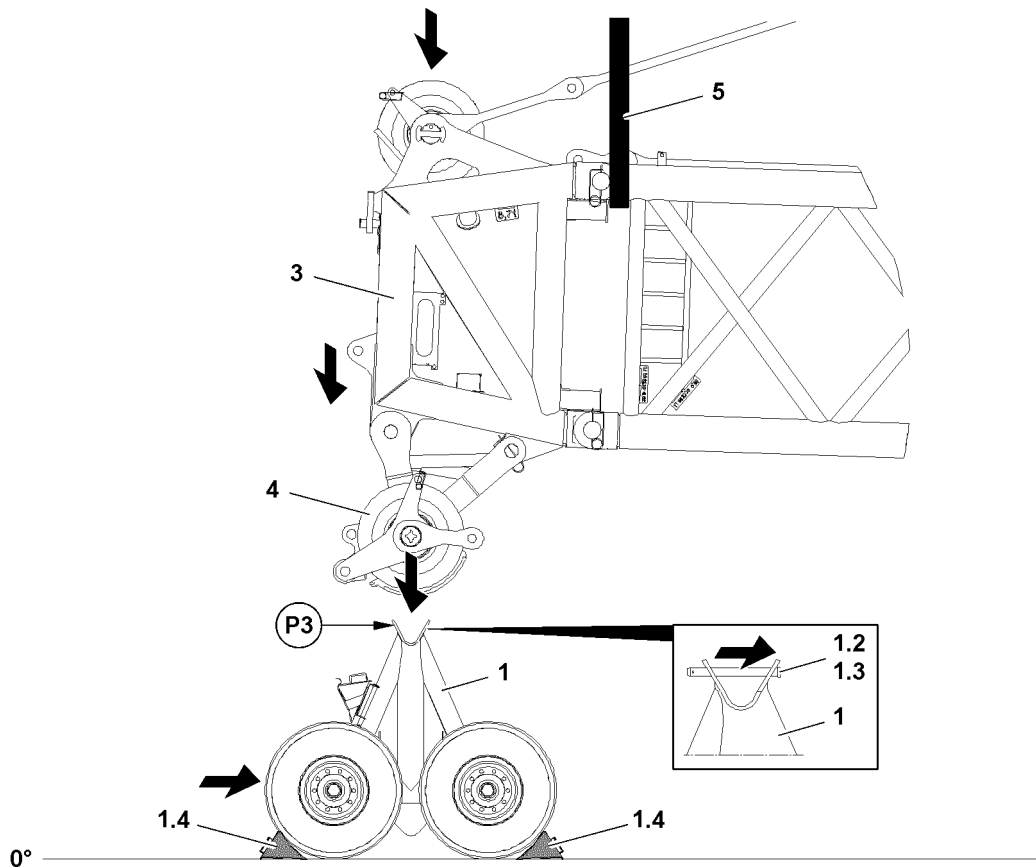


Fig.121591: Lattice jib lifted and pulley cart positioned under the boom end section

Make sure that the following prerequisites are met:

- The pulley set / the pulley sets **4** are properly installed on the boom end section **3**
- The fastening equipment is properly positioned on the W-lattice jib.
- The W-lattice jib is properly fastened on the auxiliary crane and lifted off the ground.
- The retaining pins **1.2** are unpinned on the receptacles of the pulley cart **1** at point **P3**.

- ▶ Place the pulley cart **1** below the pulley set / the pulley sets **4** on the boom end section **3**.
- ▶ Secure the pulley cart **1** properly with wedges **1.4** to prevent it from rolling off.

When the pulley cart **1** is properly positioned and secured to prevent it from rolling off:

- ▶ Slowly lower the W-lattice jib with the auxiliary crane until the axles **4.3** of the pulley set / the pulley sets are laying in the receptacles of the pulley cart **1**.
- ▶ Secure the pulley cart on the pulley set / the pulley sets: Insert the retaining pins **1.2** on both sides on the receptacle at point **P3** and secure with spring retainer **1.3**.

When the pulley cart is properly pinned and secured on the pulley set / the pulley sets:

- ▶ Remove the wedges **1.4**.

5 Disassembly

5.1 Lift the W-lattice jib from the pulley cart



WARNING

Danger of accident during assembly / disassembly of pulley cart!

At assembly / disassembly of the pulley cart, limbs can be crushed or severed.

Personnel can be severely injured or killed.

- ▶ Make sure that no personnel are between the pulley cart and the W-lattice jib during assembly / disassembly work.
- ▶ Make sure that the pulley cart is secured at set down to prevent it from rolling off.
- ▶ Make sure that the danger notes in the Crane operating instructions chapter 5.01 are observed.

NOTICE

Damage to boom - lattice sections!

If the W-lattice jib is fastened incorrectly and lifted, then boom - lattice sections can be severely damaged.

Expensive and extensive repairs can result.

- ▶ Make sure that the W-lattice jib is solely fastened on the intended locations, observe Crane operating instructions, chapter 5.01.
- ▶ Make sure that the W-lattice jib is **not** fastened and lifted on the bits of the boom end section or the bits of the intermediate sections.

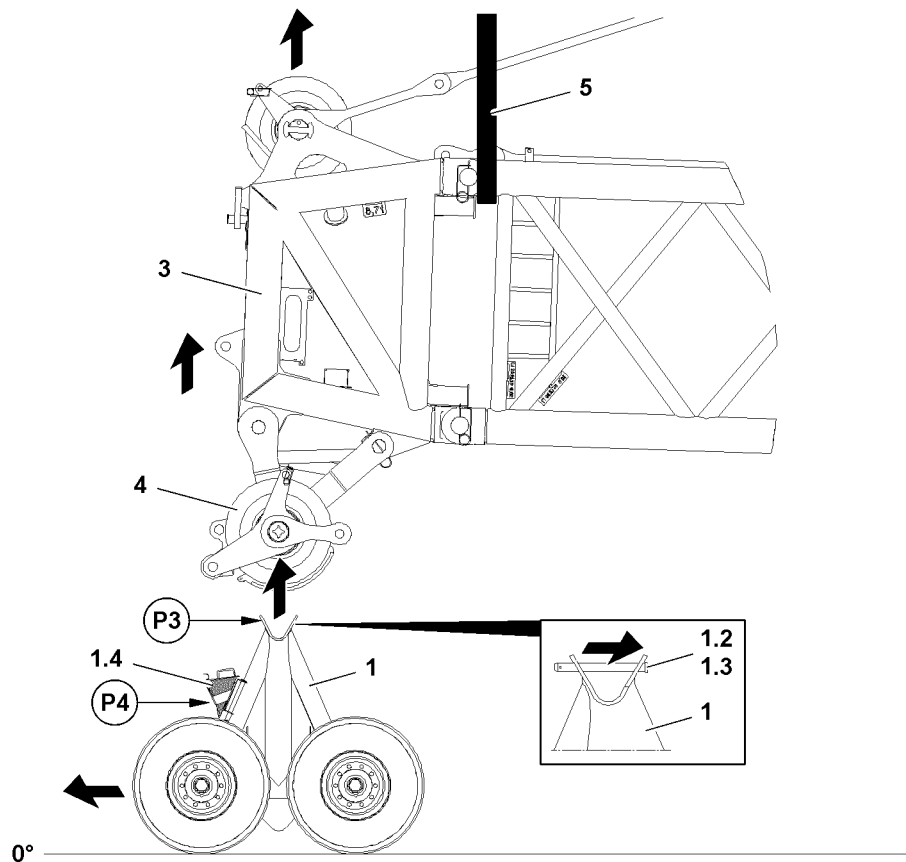


Fig.121632: Lift the lattice jib and remove the pulley cart

Make sure that the following prerequisites are met:

- The boom system is completely placed down.
- the boom end section is placed in the pulley cart and secured.
- The fastening equipment is properly positioned on the W-lattice jib.
- The W-lattice jib is properly fastened on the auxiliary crane.

▶ Secure the pulley cart with wedges to prevent it from rolling off.

When the pulley cart is secured to prevent it from rolling off:

▶ Unpin the retaining pins **1.2** on the receptacles of the pulley cart **1** at point **P3**.

When the retaining pins **1.2** are removed on the receptacles of the pulley cart **1**:

- ▶ Slowly lift the W-lattice jib with the auxiliary crane until the axles **4.3** of the pulley set / the pulley sets are lifted from the receptacles on the pulley cart **1**.
- ▶ Remove the wedges on the pulley cart and store them in the transport retainers on the pulley cart.

When the W-lattice jib is lifted out of the receptacles on the pulley cart:

- ▶ Remove the pulley cart **1** under the boom end section and secure it to prevent it from rolling off.
- ▶ Insert the retaining pin **1.2** on both sides on the pulley cart at point **P3** and secure.

When the pulley cart is removed under the boom end section:

- ▶ Place the W-lattice jib with the auxiliary crane on the ground.

6 Additional equipment

LWE/LR 11350-005/19004-04-02/en

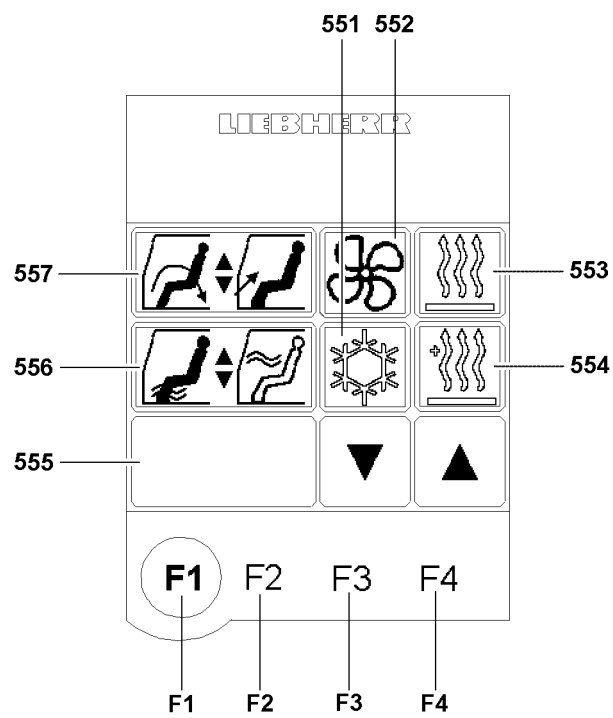


Fig.107379

LWE/LR 11350-005/19004-04-02/en

1 Heating the crane cab

The cab can be heated with three independent types of heat:

- Engine-dependent heater.
- Engine-independent auxiliary heater with engine pre-heating, at ambient temperatures of up to -40 °C, WEBASTO; Thermo 90 ST*.
- Engine-independent auxiliary heater for cab preheating, at ambient temperatures of less than -40 °C, WEBASTO; DBW 2020*.

The individual heat adjustment (both for engine-dependent as well as the engine-independent auxiliary heater*) are made solely via the „Air conditioning settings“ menu on the touch display.

NOTICE

Risk of damage in the electrical / electronic component area when carrying out electrical welding work on the crane!

- ▶ Disconnect the negative and positive cables from the batteries and place the positive cable on the vehicle ground!
-

2 The „Air conditioning settings“ menu

2.1 General

The „Air conditioning settings“ menu is accessed - with the ignition turned on - by pressing the function key **F1** on the touch display.



Note

- ▶ The „Air conditioning settings“ menu is faded out automatically after 30 sec. if no settings are changed during this time.

If the crane ignition is turned off, the LICCON computer system as well as the touch display also turn themselves off. The settings made in the „Air conditioning settings“ menu are retained.



Note

- ▶ If the auxiliary heater has been programmed, the settings are saved when the ignition is turned „OFF“.
-

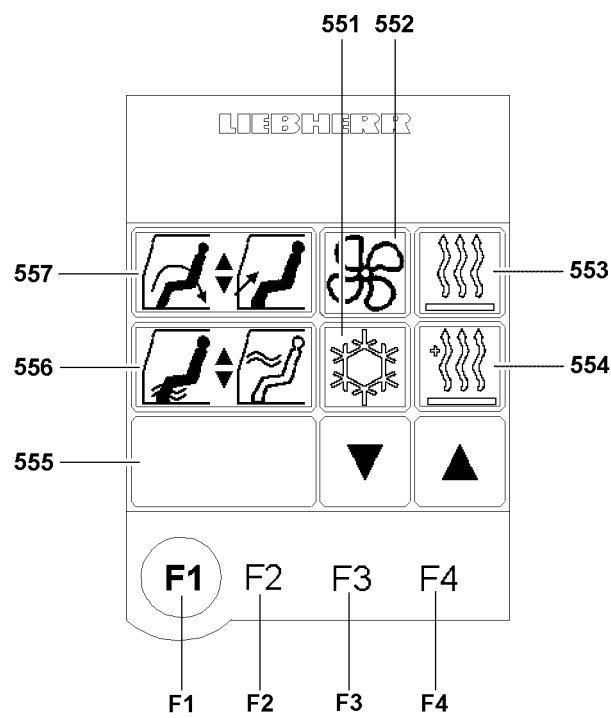


Fig.107379

2.2 Operating the touch display

On the touch display, all functions are available for making and operating all heating, ventilation and air conditioning settings and for programming the auxiliary heater on the crane:

- **557** Circulating air / fresh air
 - Function selection
- **556** Air distribution „upper“ / „lower“
 - Function selection
- **555** Status display
 - Display function

The status indicator **555** contains the following depending on the function that is selected:

- The adjustment rates between the head and floorboard area for circulating air / fresh air
- The adjustment rates for air distribution
- The temperature setting in manual heating mode
- The temperature setting in AUTOMATIC heating mode
- Air conditioning on - „ON“
- Air conditioning off - „OFF“
- The programming display for the auxiliary heater
- **551** Air conditioning system
 - Function selection
- **552** Fan / blower
 - Function selection
- **553** Heater
 - Function selection
- **554** Auxiliary heater
 - Function selection

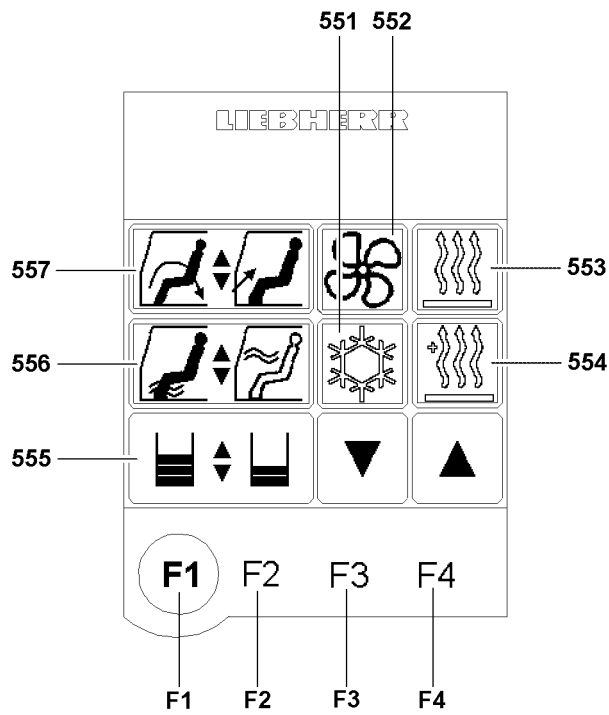


Fig.107380



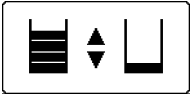

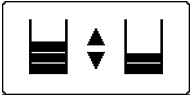

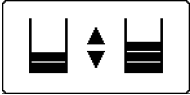





LWE/LR 11350-005/19004-04-02/en

2.3 Adjusting the circulating air / fresh air

The „circulating air / fresh air“ function is selected by „touching“ the icon **557** on the left touch display.

The adjustment rate is displayed in the Status display **555** as a double bar display for „circulating air“ and „fresh air“.

The adjustment rate between „circulating air / fresh air“ is changed with the function key **F3** and the function key **F4**.

Adjustment rates for circulating air / fresh air			
Status display	Circulating air	Fresh air	Icon display
	5	0	 <i>Fresh air „OFF“</i>
	4	1	
	3	2	
	2	3	
	1	4	
	0	5	 <i>Circulating air „OFF“</i>

- ▶ Select „circulating air / fresh air“ **557** function by „touching“.

Result:

- The „circulating air / fresh air“ icon is surrounded with a black border.
- The current adjustment rate is displayed in the Status display **555** as a double bar display for „circulating air“ and „fresh air“.

- ▶ Press the function key **F3**.

Result:

- The „proportion of circulating air“ is reduced and the „proportion of fresh air“ increases at the same time.

- ▶ Press the function key **F4**.

Result:

- The „proportion of fresh air“ is reduced and the „proportion of circulating air“ increases at the same time.

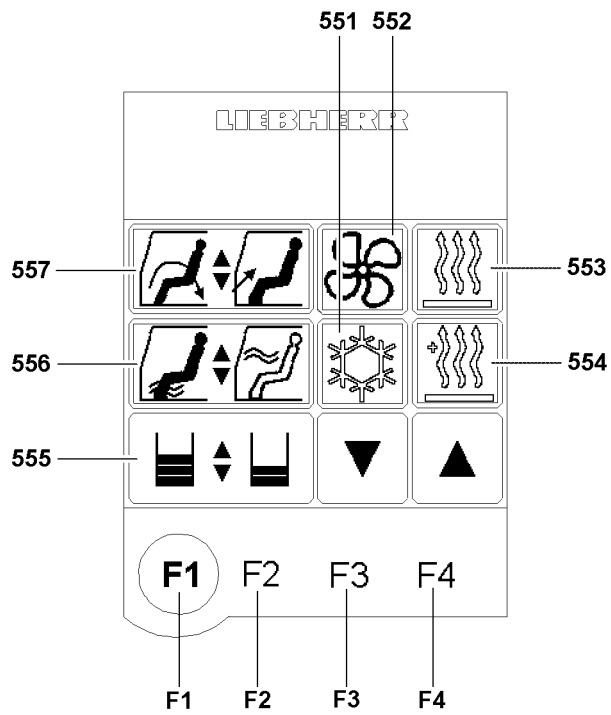


Fig.107380

2.4 Adjusting the „lower“ / „upper“ air distribution

The „lower“ / „upper“ air distribution function is selected by „touching“ the icon **556** on the left touch display.

The adjustment ratio is displayed in the Status display **555** - as a double bar display - for the „lower“ and „upper“ air distribution.

The „lower“ and „upper“ adjustment rate is changed with the function key **F3** and the function key **F4**.

Air distribution adjustment rates			
Status display	„lower“	„upper“	Icon display
	5	0	 <i>upper „OFF“</i>
	4	1	
	3	2	
	2	3	
	1	4	
	0	5	 <i>lower „OFF“</i>

- ▶ Select Air distribution „upper / lower“ **556** function by „touching“.

Result:

- The „lower / upper“ air distribution icon is surrounded with a black border.
- The current adjustment rate is displayed in the Status display **555** - as a double bar display - for „lower“ and „upper“.

- ▶ Press the function key **F3**.

Result:

- The proportion of „lower“ air is reduced; while the proportion of „upper“ air increases at the same time.

- ▶ Press the function key **F4**.

Result:

- The proportion of „upper air“ is reduced, while the proportion of „lower air“ increases at the same time.

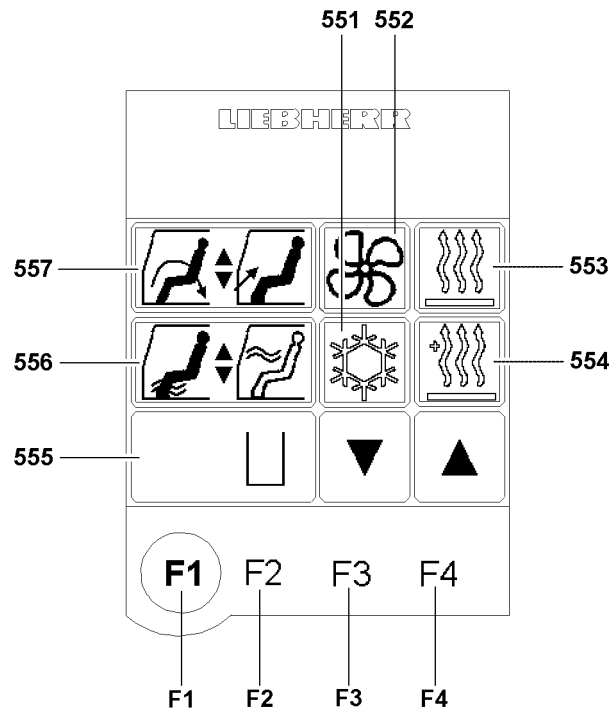


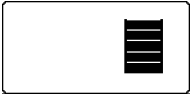

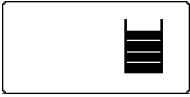

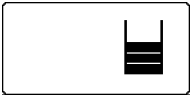







Fig.107381

2.5 Fan / blower adjustment

The „fan / blower“ function is selected by „touching“ the icon **552** on the left touch display.

The current „fan“ / „blower setting“ is shown as a bar display in the Status display **555**.

The „fan“ / „blower setting“ is reduced with the function key **F3** and increased with the function key **F4**.

„Fan“ / „blower setting“		
Status display	Stage	Icon display
	5	
	4	
	3	
	2	
	1	
	0	 <i>Fan „OFF“</i>

- ▶ Select „fan / blower **552**“ by „touching“.

Result:

- The „fan / blower“ icon is surrounded with a black border.
- In „fan“ / „blower stage“ appears as a bar display in the Status display **555**.

- ▶ Press the function key **F3**.

Result:

- The „fan“ / „blower stage“ is reduced.

- ▶ Press the function key **F4**.

Result:

- The „fan“ / „blower stage“ is increased.

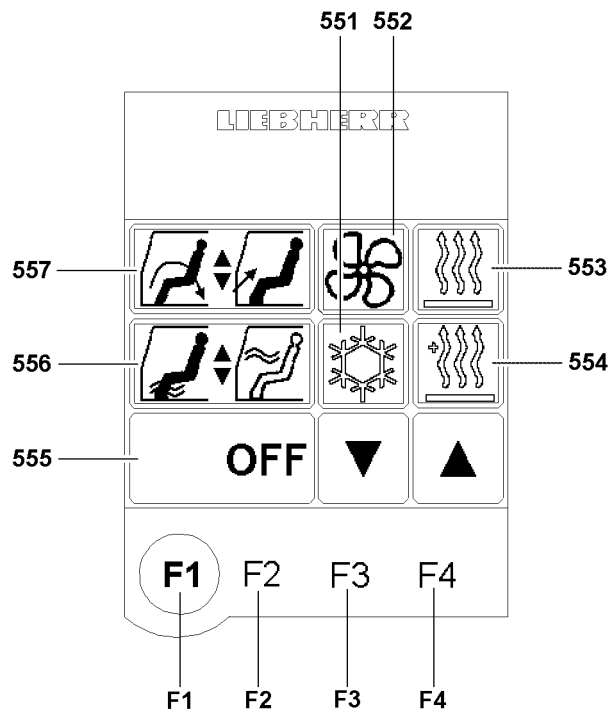


Fig.107382

2.6 Operating the air conditioning system

The „Air conditioning system“ function is selected by „touching“ the icon **551** on the left touch display.





The status of the air conditioning system is displayed in the Status display **555**.

The „Air conditioning system“ is turned off with the function key **F3** („OFF“) and turned with the function key **F4** („ON“).



Note

- ▶ The air conditioning system turns itself on automatically if the „AUTO“ heating mode is activated.

Air conditioning system		
Status display	State	Icon display
	„OFF“	
	„ON“	

Make sure that the following preconditions are met before starting up the air conditioning system:

- The air intake opening for circulating air operation is clear.
- All windows and the cab door are closed.
- The circulating air / fresh air adjustment rate is 5:0.
- ▶ Select „Air conditioning system **551**“ function by „touching“.

Result:

- The „Air conditioning system“ icon is surrounded with a black border.
- The switch status of the air conditioning system appears in the status display **555**.

- ▶ Press the function key **F3**.

Result:

- The air conditioning system is turned off.

- ▶ Press the function key **F4**.

Result:

- The air conditioning system is turned on.
- ▶ Open or close the air vents as desired.
- ▶ Open the appropriate air vent for upward air distribution.
- ▶ Turn the fan / blower on.
- ▶ Select heater and change into „MANUAL“ heating mode.
- ▶ Set the temperature stage.
- or
- ▶ Select heater and change into „AUTO“ heating mode.
- ▶ Set the temperature in [°C] or [°F].

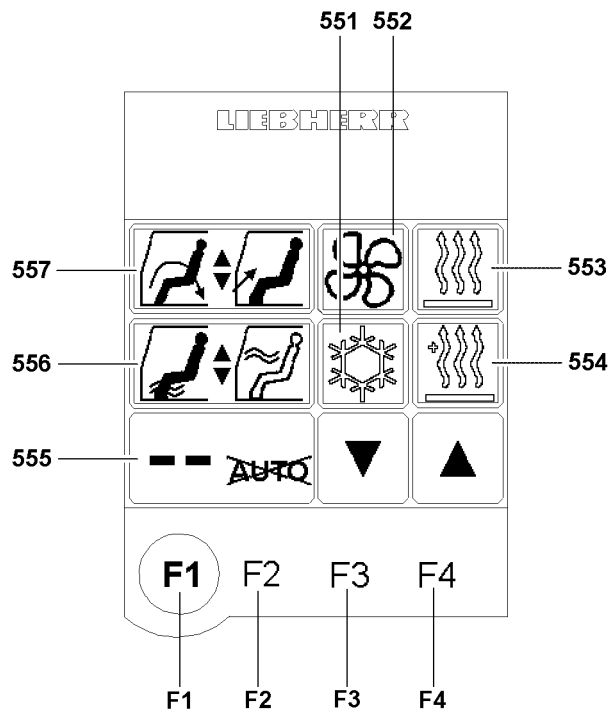


Fig.107383

2.7 Turning the heater on

2.7.1 General

The „heater“ function is selected by „touching“ the icon **553** on the left touch display.

The heater status is displayed in the Status display **555**.

The temperature is regulated in „MANUAL“ heating mode via the function key **F3** („reduce“ temperature) and function key **F4** („increase“ temperature).

Function key **F2** is used to switch from „MANUAL“ heating mode to „AUTO“ heating mode and vice versa.

2.7.2 Manual heating mode

In „MANUAL“ heating mode, the temperature stages - from stage 1 to stage 16 - are available to the crane operator for temperature adjustment.

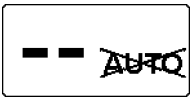





With the function key **F3**, the temperature stages can be reduced from stage 16 in increments until „heater OFF“.



Note

- ▶ If the status „heater OFF“ is reached, the heater does not operate.
- ▶ The crane cab is **not** heated.

Press the function key **F4** to leave the „OFF“ status and to increase the temperature stages incrementally from stage 1 to maximum stage 16.

Heating mode „MANUAL“			
Status display	State	Stage	Icon display
	„OFF“	--	 Heater „OFF“
	„ON“	1	
	„ON“	16	

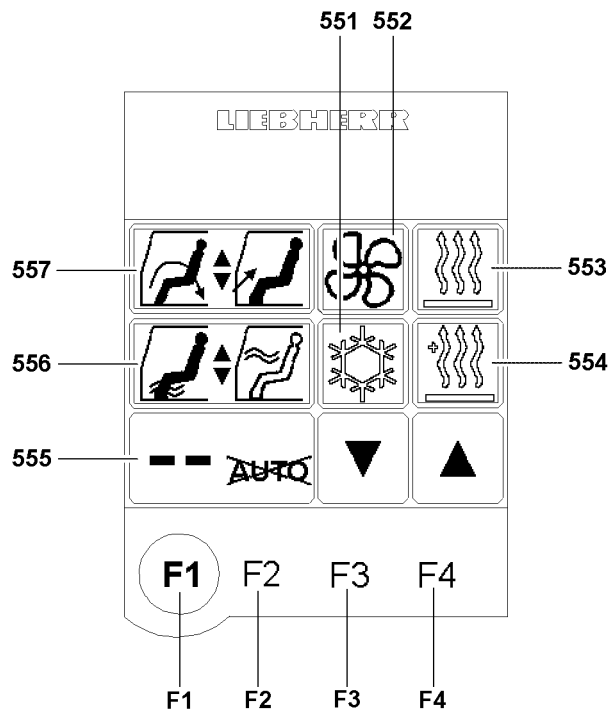


Fig.107383

LWE/LR 11350-005/19004-04-02/en

- ▶ Select „heater **553**“ function by „touching“.

Result:

- The „Heater“ icon is surrounded with a black border.
- In the status display **555** appears the current status of the „Heater“.

- ▶ Press the function key **F2**.

Result:

- Switch from heating mode „AUTO“ to heating mode „MANUAL“.

- ▶ Press the function key **F3**.

Result:

- The „temperature stages“ are reduced incrementally by one stage.
- The amount of heat supplied into the cab is reduced accordingly.

- ▶ Press the function key **F4**.

Result:

- The „temperature stages“ are increased incrementally by one stage.
- The amount of heat supplied into the cab is increased.

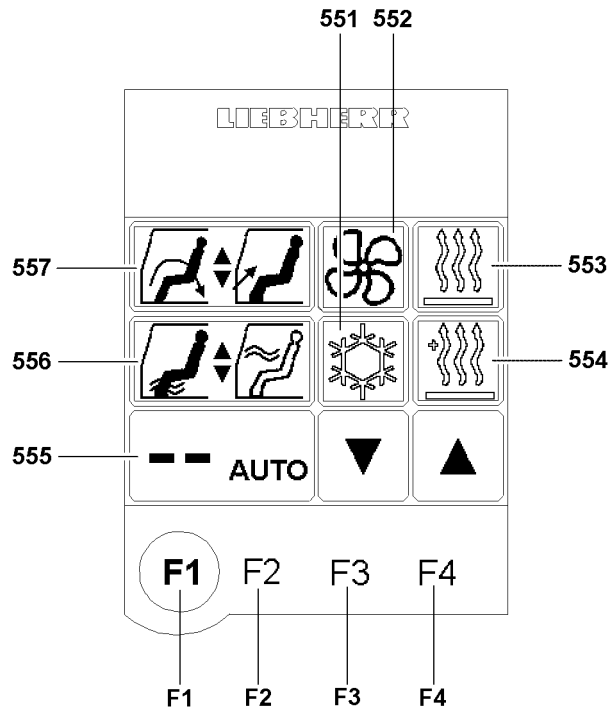


Fig.107401

2.7.3 AUTO heating mode

If heating mode „AUTO“ is selected, the air conditioning system is automatically enabled.



Note

- ▶ The blower / fan stage is automatically regulated in the „AUTO“ heating mode, whereby the maximum blower / fan stage is available, which was set before manually.

In „AUTO“ heating mode, the crane operator can adjust the temperature infinitely variable.

By pressing the function key **F3**, the temperature is reduced steplessly from maximum value to minimum value and if the function key **F3** is pressed again, the heater is turned off.



Note

- ▶ If a status „Heat OFF“ has been reached, the heater does **not** operate but the cab can continue to be cooled.
- ▶ The crane cab is **not** heated.

Leave the „OFF“ state by pressing the function key **F4** and the temperature can be increased infinitely variable from minimum value to maximum value.

Heating mode „AUTO“			
Status display	State	Temperature in [°C] or [°F]	Icon display
	„OFF“	—	 <i>Heater „OFF“</i>
 <i>Minimum value</i>	„ON“	15	
 <i>Maximum value</i>	„ON“	30	

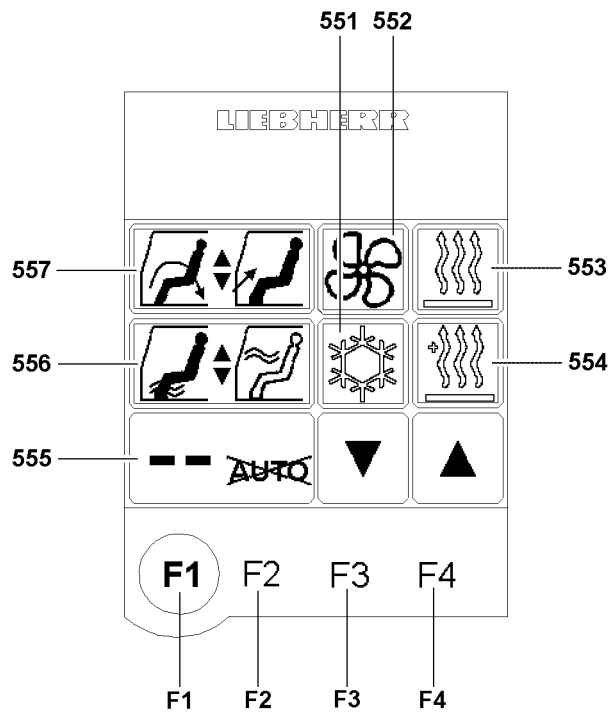


Fig.107383

- ▶ Select „heater **553**“ function by „touching“.

Result:

- The „Heater“ icon is surrounded with a black border.
- In the status display **555** appears the current status of the „Heater“.

- ▶ Press the function key **F2**.

Result:

- Change from heating mode „MANUAL“ to heating mode „AUTO“.

- ▶ Press the function key **F3**.

Result:

- The „temperature setting“ is reduced in stages in steps of 1 °C.
- The amount of heat that is led to the cab is controlled according to the current temperature setting.

- ▶ Press the function key **F4**.

Result:

- The „temperature setting“ is increased in stages in steps of 1 °C.
- The amount of heat that is led to the cab is controlled according to the current temperature setting.

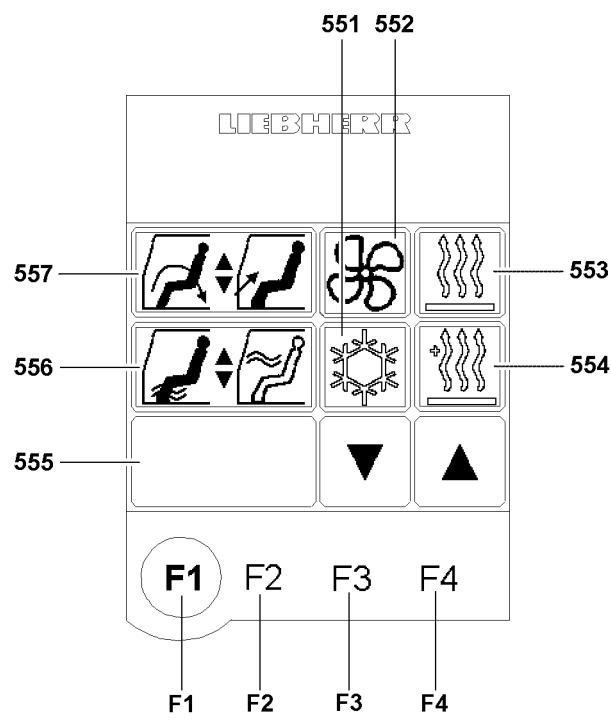


Fig.107379

2.8 Procedure for fogged windows

2.8.1 General

A certain sequence of adjustments must be followed to clear the windows quickly in order to use the crane.

The settings can be made manually or semi-automatically.

2.8.2 Manual adjustments in the „Air conditioning settings“ menu

- ▶ Set air distribution **556** to maximum level „upwards“ - level 5.
- ▶ Open the air vents.
- ▶ Set circulating air **557** to maximum level - level 5.
- ▶ Set fan / blower **552** to maximum level - level 5.
- ▶ Set Air conditioning system **551** to „ON“.
- ▶ Set heater **553** to maximum possible level in „manual“ heating mode.
- ▶ If the crane engine is cold, add the auxiliary heater **554**, if required.

2.8.3 Making adjustments semi-automatically in the „Air conditioning settings“ menu

- ▶ Set heater **553** to „AUTO“ heating mode.
- ▶ Set air distribution **556** to maximum level „upwards“ - level 5.
- ▶ Open the air vents.
- ▶ If the crane engine is cold, add the auxiliary heater **554**, if required.



Note

- ▶ The other functions are automatically added by the system.
-

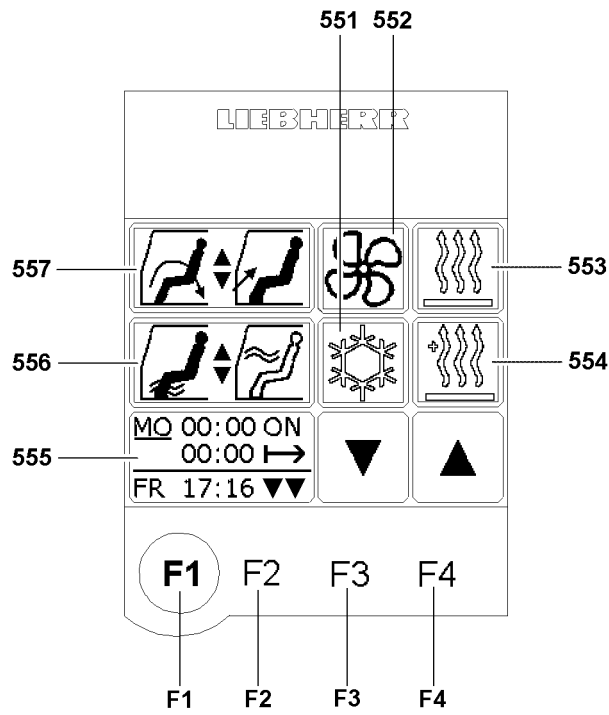


Fig.107385

LWE/LR 11350-005/19004-04-02/en

2.9 Operating the engine-independent auxiliary heater

The engine-independent auxiliary heater is used to heat the crane cab when the engine is turned off and to provide additional heat at low ambient temperatures if the engine-dependent heater is not sufficient.

At ambient temperatures of below $-20\text{ }^{\circ}\text{C}$, the crane engine must be pre-heated by the engine-independent auxiliary heater. In this case, the crane cab does not have to be heated too.



Note

► In summer, run the auxiliary heating once a month for approx. 15 to 20 minutes.

Carry out maintenance work on the auxiliary heater according to the supplied manufacturer's operating instructions.

2.9.1 General

NOTICE

Damage of auxiliary heater!

► Fill all units with sufficient service fluids for winter operation, as specified in the lubricant chart!



DANGER

Risk of poisoning and suffocation in enclosed areas!

► Operate the engine-independent auxiliary heater in enclosed areas such as garages or workshops only if a exhaust emission suction is present, even in „programming mode“.



DANGER

Risk of explosion!

In areas where combustible fumes or dust could form, such as in the vicinity of storage areas for fuel, coal, wood dust or grain storage or similar and in the vicinity of filling stations or tank depots, there is a risk of explosion.

► Turn the auxiliary heater off.

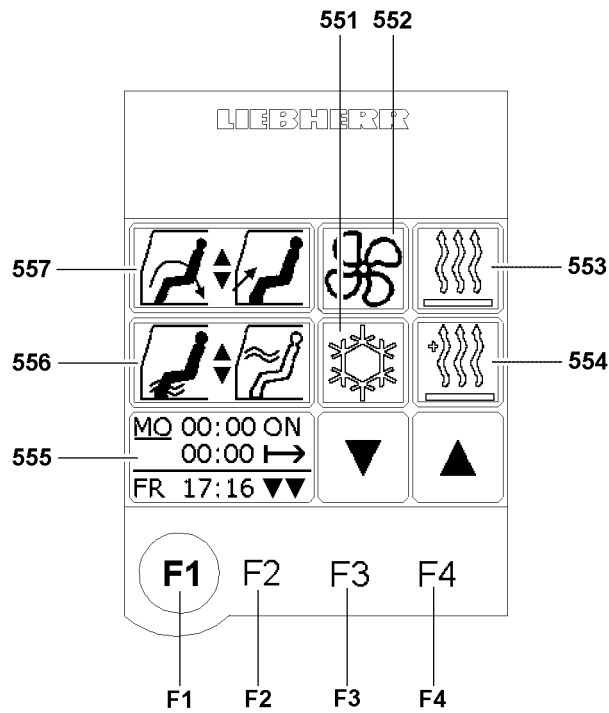


Fig.107385

2.9.2 Turning the engine-independent auxiliary heater on manually

The engine-independent auxiliary heater can be turned on manually in driving or crane operation. The auxiliary heater, icon **554**, must be selected and turned on.

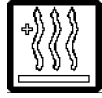


If the auxiliary heater is in the „OFF“ state, pressing function key **F4** once adds the cab auxiliary heater.

Pressing the function key **F4** again turns engine preheating auxiliary heater on.



Note

► If the auxiliary heater is turned on for engine pre-heating, then the crane cab is **not** heated.

Manual auxiliary heater			
Status display	Function key F4	Function key F3	Icon display
<div style="border: 1px solid black; padding: 2px; width: fit-content;"> MO 06:45 ON 00:30 → <hr/> FR 17:16 OFF </div>	▲ (F4)	---	 Auxiliary heater „OFF“
<div style="border: 1px solid black; padding: 2px; width: fit-content;"> MO 06:45 ON 00:30 → <hr/> FR 17:16 ON </div>	▲ (F4)	▼ (F3)	 Auxiliary heater - cab „ON“
<div style="border: 1px solid black; padding: 2px; width: fit-content;"> MO 06:45 ON 00:30 → <hr/> FR 17:16 ON_≈ </div>	▲ (F4)	▼ (F3)	 Auxiliary heater - engine pre-heating „ON“

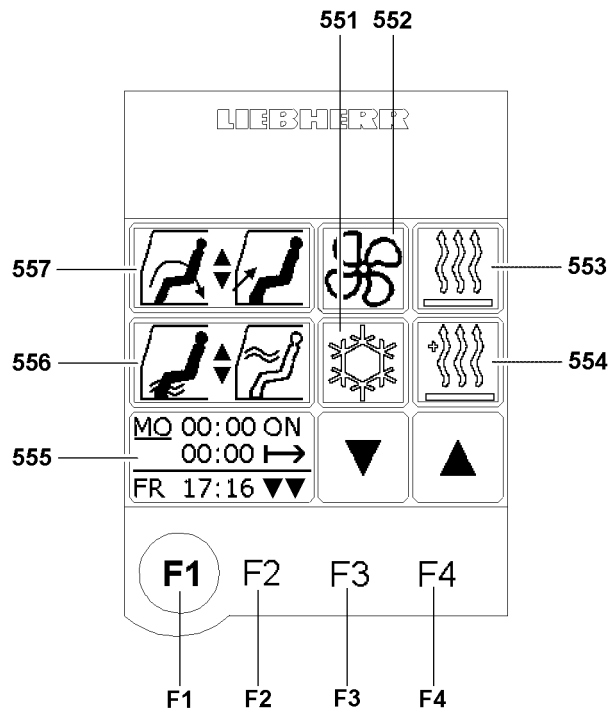


Fig.107385

Adding the auxiliary heater

- ▶ Select heat **553** and set the required temperature via function key **F3** or function key **F4** (see section entitled „Turning the heater on“).



Note

- ▶ The temperature adjustment via function key **F3** or function key **F4** is only needed to heat the crane cab!
- ▶ Select auxiliary heater **554** and press function key **F3** or function key **F4** until the required setting is displayed in the status display **555** (see chart).

Result:

- The auxiliary heater is added.
- The crane cab or the engine is heated, depending on the setting.



Note

- ▶ When the crane cab is „warm“ and the engine is at the operating temperature, turn the auxiliary heater off.
- ▶ This increases the service life of the auxiliary heater!

Turning the auxiliary heater off

- ▶ Select auxiliary heater **554** and press the function key **F3** until the status display **555** shows the setting auxiliary heater „OFF“ (**OFF**).

Result:

- The auxiliary heater is turned off.
- An afterrun is carried out each time the auxiliary heater is turned off.
- ▶ Turn the battery master switch off if the crane is temporarily not being used.

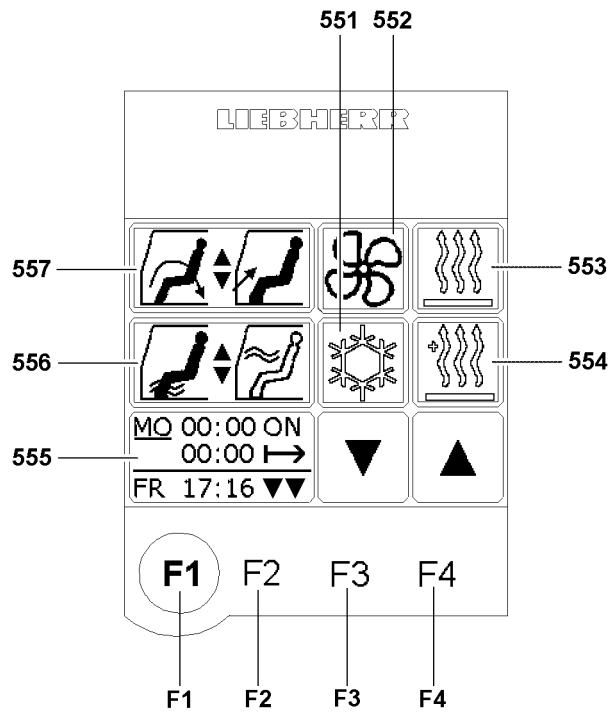


Fig.107385

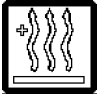


2.9.3 Turning the engine-independent auxiliary heater on in programming mode

The engine-independent auxiliary heater to heat the cab or to preheat the engine can be programmed a **maximum** of one week in advance.



Note

► It is advisable to restrict the auxiliary heater programming to two days, since there is a risk that the battery discharge extremely quickly at freezing temperatures.

Auxiliary heater programmed			
Status display	Function key F4	Function key F3	Icon display
<div style="border: 1px solid black; padding: 2px; width: fit-content;"> MO 06:45 ON 00:30 → FR 17:16 OFF </div>	▲ (F4)	---	 Auxiliary heater „OFF“
<div style="border: 1px solid black; padding: 2px; width: fit-content;"> MO 06:45 ON 00:30 → FR 17:16 ☉ </div>	▲ (F4)	▼ (F3)	 Auxiliary heater - cab
<div style="border: 1px solid black; padding: 2px; width: fit-content;"> MO 06:45 ON 00:30 → FR 17:16 ☉⚡ </div>	---	▼ (F3)	 Auxiliary heater - engine preheating

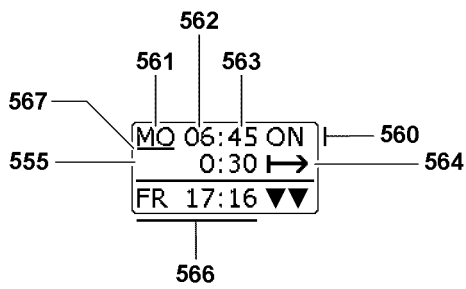
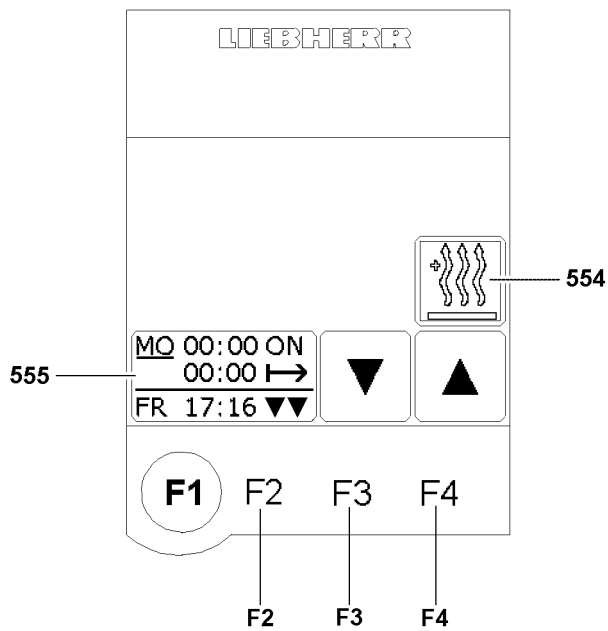
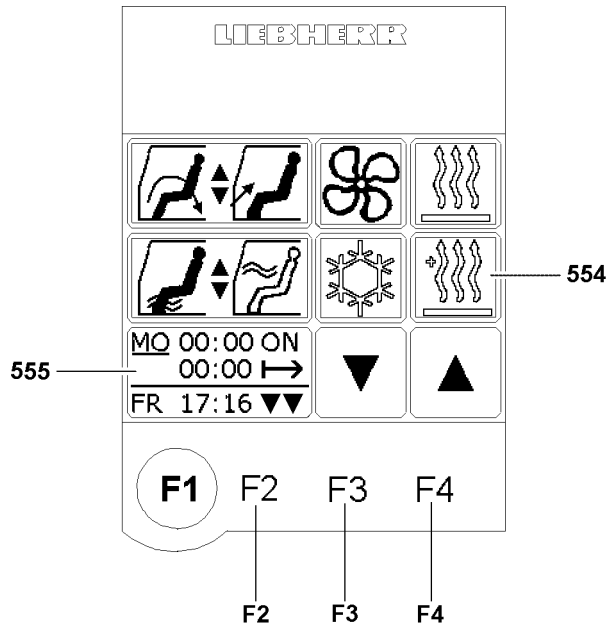


Fig.107384

Programming the auxiliary heater

In order to access auxiliary heater programming mode, press the function key **F4** until the status display shows the „clock“ (programming mode for cab heater), or the „clock with wave“ (programming mode for engine preheating), fig. 1.

The status display **555** shows the current day of the week with the time **566**. The time in the status display **555** is coupled to the „real-time clock“ in the test system.



Note

- ▶ The procedure for programming the auxiliary heater - to heat the crane cab or to preheat the engine - is identical in both cases.

Make sure that the following preconditions are met **before** the auxiliary heater is programmed:

- The required temperature of the heater has been set.
- The fan / blower is set to stage 0 („OFF“).
- The required programming mode, cabin heater („clock“) or engine preheating („clock with wave“) has been selected.

- ▶ Press the function key **F2**.

Result:

- The auxiliary heater programming interface is displayed, fig. 2.
- In the status display **555** appears the cursor **567** under the modifiable input value.



Note

- ▶ The cursor **567** is positioned to day programming **560** by default.

- ▶ Press the function key **F4** and select the required day of the week **561** (**ascending** order).
or
Press the function key **F3** and select the required day of the week **561** (**descending** order).

Result:

- The selected day of the week is „set“.

- ▶ Press the function key **F2**.

Result:

- The cursor **567** changes from day programming **561** to hour programming **560**.

- ▶ Press the function key **F4** and select the desired hour **562** (**ascending** order).
or
Press the function key **F3** and select the desired hour **562** (**descending** order).

Result:

- The selected hour is „set“.

- ▶ Press the function key **F2**.

Result:

- The cursor **567** changes from hour programming **562** to minute programming **563**.

- ▶ Press the function key **F4** and select the desired minute **563** (**ascending** order).
or
Press the function key **F3** and select the desired minute **563** (**descending** order).

Result:

- The selected minute is „set“.

- ▶ Press the function key **F2**.

Result:

- The cursor **567** changes from minute programming **563** to turn on duration **564**.
- ▶ Press the function key **F4** and select the desired turn on duration **564** (ascending).
or
Press the function key **F3** and select the desired turn on duration **564** (descending).

Result:

- The selected turn on duration **564** is „set“.

**Note**

- ▶ The turn on duration **564** of the auxiliary heater is restricted to a maximum of **0:55 minutes!**
- ▶ The cursor **567** automatically changes to the minutes setting for the turn on duration **564**.
- ▶ The turn on duration **564** can only be changed in 5 minute increments.

- ▶ Press the function key **F2**.

Result:

- The cursor **567** changes from turn on duration **564** to day programming **560**.
- The auxiliary heater programming is complete.
- ▶ Select the auxiliary heater **554** by „touching“.

Result:

- The programmed settings are taken over.
- The „Air conditioning settings“ menu is displayed.
- The auxiliary heater starts to operate when the programmed turn on time for heater operation is reached and turns the heater operation off again when the selected turn on duration has expired.
- In automatic regulation, the auxiliary heater operates according to the „manual“ or „AUTO“ heat setting.

**Note**

- ▶ The auxiliary heater programming must be manually reset to „zero“ after programmed heating has taken place. Otherwise, the auxiliary heater is automatically turned on according to the programming.

Resetting the auxiliary heater programming

To reset the auxiliary heater programming, proceed as described in „Programming the auxiliary heater“.

- ▶ Reset the values in the status display **555** to „zero“.

Result:

- The programming is turned off.

**Note**

- ▶ The programming can be modified manually or turned off altogether at any time.

2.10 Bleeding the heating system

When draining the engine coolant, the contents of the heating system will also be drained because the engine and heater operate as one circuit. When refilling the system, it should be carefully bled.

- ▶ Add coolant via the expansion tank of the engine cooling system according to the lubricant chart.
- ▶ Start the engine as described in Chapter 3.04.
- ▶ Set the heater to „warm“.
- ▶ Check the expansion tank for air bubbles.

Result:

- The engine is bled as soon as no more air bubbles rise.

When no more air bubbles rise in the expansion tank:

- ▶ Set the heater to „cold“.

Result:

- The heating circuit will be vented.
- ▶ Check the expansion tank for air bubbles.

Result:

- The heating circuit is vented as soon as no more air bubbles rise.

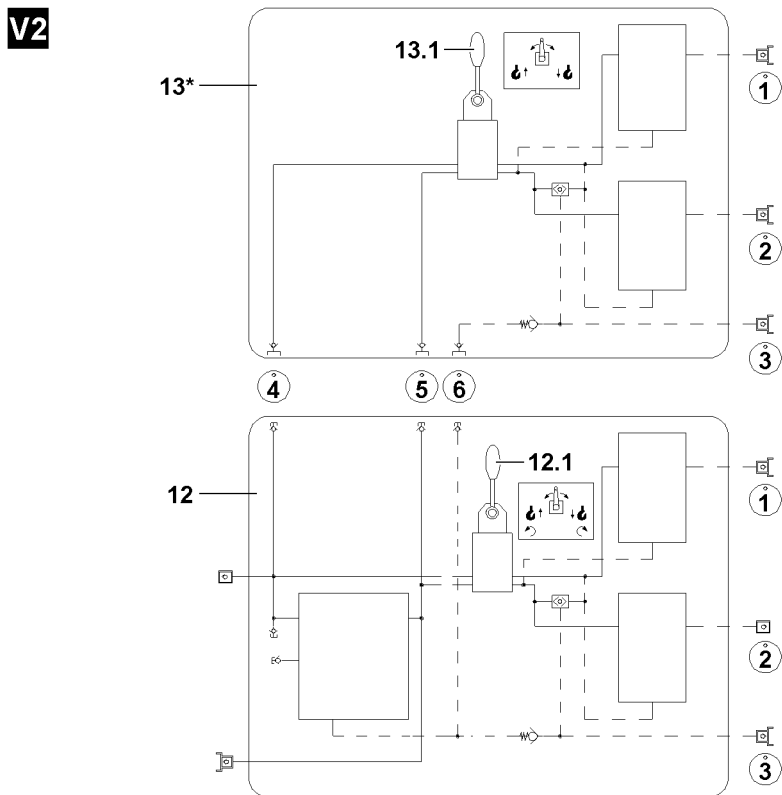
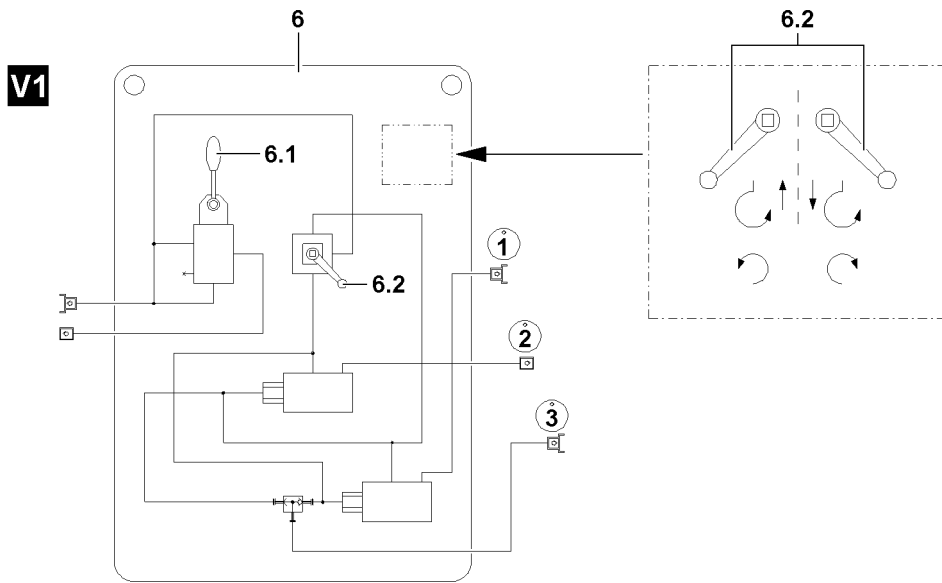


Fig.109407

LWE/LR 11350-005/19004-04-02/en

1 Emergency operation



Note

► The illustrations in this chapter are examples and may not apply exactly to your crane!



Note

► Before you start with preparations for emergency operation, check which of the following assembly plates you have available to carry out the emergency operation!

There are two **different** variations of assembly plates.

With variation 1 **V1**, all winches, which are equipped with the respective auxiliary hydraulic for emergency operation and the slewing gear can be actuated, each individually.

With variation 2 **V2**, which consists of two assembly plates, all winches, which are equipped with the respective auxiliary hydraulic for emergency operation can be actuated, each individually, **or** winch 1 **WI** and winch 2 **WII** can be actuated in parallel operation or the slewing gear can be actuated individually.



Note

► Observe the following charts!

	Variation 1 (V1)	Variation 2(V2)
	each in individual operation	each in individual operation
Winch 1	X	X
Winch 2	X	X
Winch 1II2 ¹⁾	—	X
Winch 3	X	X
Winch 4	X	X
Winch 5	X	X
Winch 6	X	X
Slewing gear	X	X

1) Parallel operation Winch 1 and winch 2 (1II2)

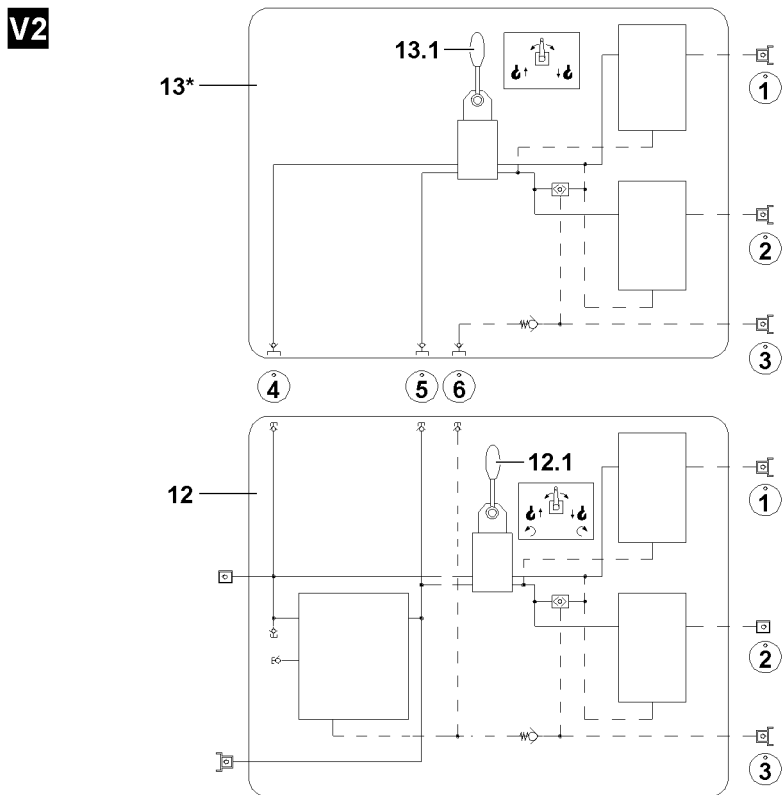
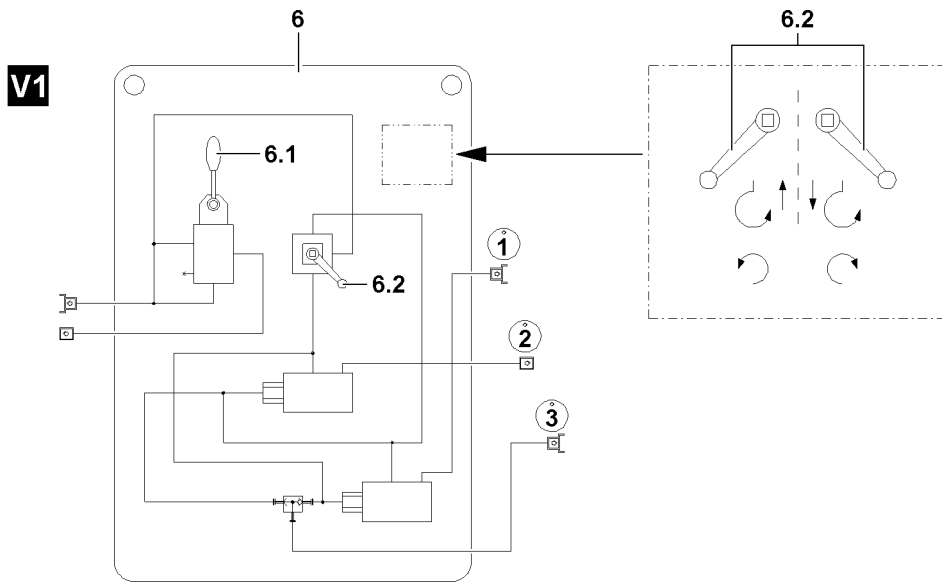


Fig.109407

LWE/LR 11350-005/19004-04-02/en

1.1 General danger notes



DANGER

Significant accident risk during emergency operation!

During an emergency operation, crane movements are no longer monitored by the LICCON computer system!

In the event of improper operation or deliberate misuse, the crane can topple over!

There is an increased risk of accident if the following danger notes are not observed!

Personnel can be severely injured or killed!

This could result in high property damage!

► All hazard warnings are to be observed and maintained!

General danger notes!

1. Emergency operation of the crane superstructure may only be carried out:

- To remove a dangerous situation.
- After consultation with customer service at LIEBHERR-Werk Ehingen GmbH.
- By authorized personnel who are knowledgeable of the hydraulic circuit diagram, the connection diagram and carrying out emergency operation.
- By authorized personnel who are aware of the risks of emergency operation.
- To carry out load reducing movements.

2. The danger zone must be blocked off!

3. No persons or objects may remain in the danger zone!

4. If a load is on the hook, then it must first be set down to relieve the boom!

5. During emergency operation, all safety devices, with the exception of „winch spooled out“ are automatically bypassed!

6. In the event of a defect or failure of the LICCON computer system, each step must be carried out and monitored with extreme caution and care, since a visual check on the LICCON monitor is no longer possible. Visual check!

7. All crane movements must be travelled with extreme caution and at the lowest speed!

8. The crane operator must be in visual contact with auxiliary personnel or guides person!



Note

Please note!

► The hydraulic supply for the crane can, to the extent that the crane has been equipped, take place through an emergency unit*. If this is not the case, the crane must be taken down by using additional auxiliary cranes!



WARNING

The crane can topple over!

► The boom may only be luffed down if the stability of the crane permits this action, observe information in the load tables and maintain them!

► When taking down the boom, the information in the erection and take down charts are to be observed and followed!

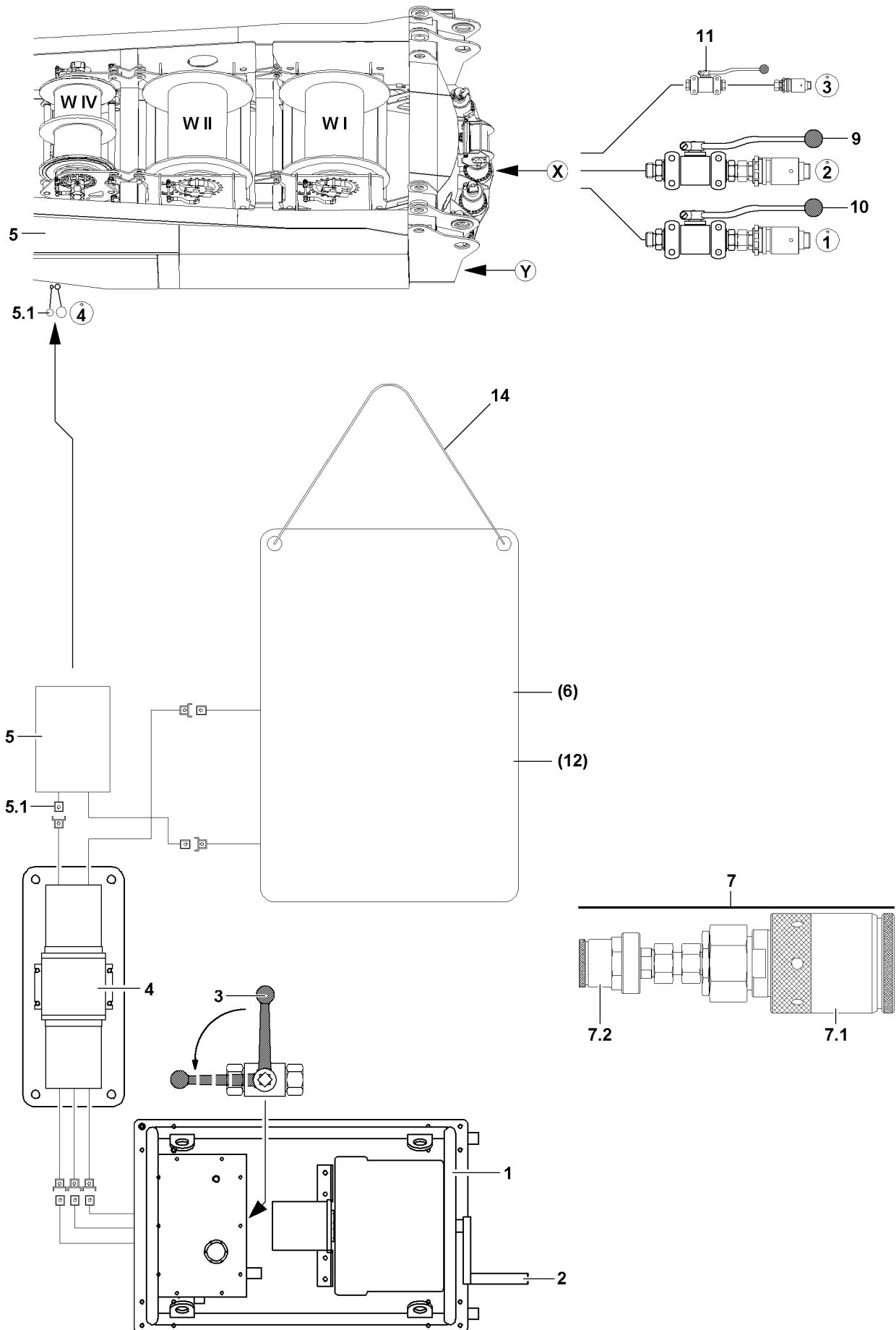


Fig.109408

LWE/LR 11350-005/19004-04-02/en

1.2 Handling of assembly plates



WARNING

Falling assembly plates!

Non-secured assembly plates can fall down when carrying out the emergency operation!

Personnel can be severely injured or killed!

- ▶ For emergency operation, secure the assembly plates with the chains **14** to prevent them from falling down!
- ▶ Do not secure the assembly plates near movable crane components!

1.3 Prerequisites for emergency operation



Note

- ▶ On the basis of different line diameters on the hydraulic lines, false couplings are prevented, additionally the hydraulic connections are identified with numbers!

Make sure that the following prerequisites are met:

- The hydraulic circuit diagram is available.
- The hydraulic system is functioning.
- An emergency operation aggregate **1** is available.
- A „Hydraulic transformer **4**“ is available.
- The assembly plate(s) are available.
- Reducer sections **7** (adapter) are available.
- The dust plugs for the hydraulic connections are removed.

1.4 Establishing the hydraulic connections



WARNING

Danger due to hydraulic pressure!

If the hydraulic lines are pressurized when releasing the connections, it can lead to severe injuries to assembly personnel!

- ▶ Relieve the pressure in the hydraulic lines before releasing!
- ▶ Establish the hydraulic connections from the emergency operation aggregate* **1** to the transformer **4**.
- ▶ Establish the hydraulic connection from the transformer **4** to the (suction line) on the turntable **5** of the crane, connection **5.1**.
- ▶ Hydraulic connection (return line, number **4**) from the turntable of the crane to the assembly plate **6** or to the assembly plate **12**.
- ▶ Establish the hydraulic connection (pressure line) from the transformer **4** to the assembly plate **6** or to the assembly plate **12**.

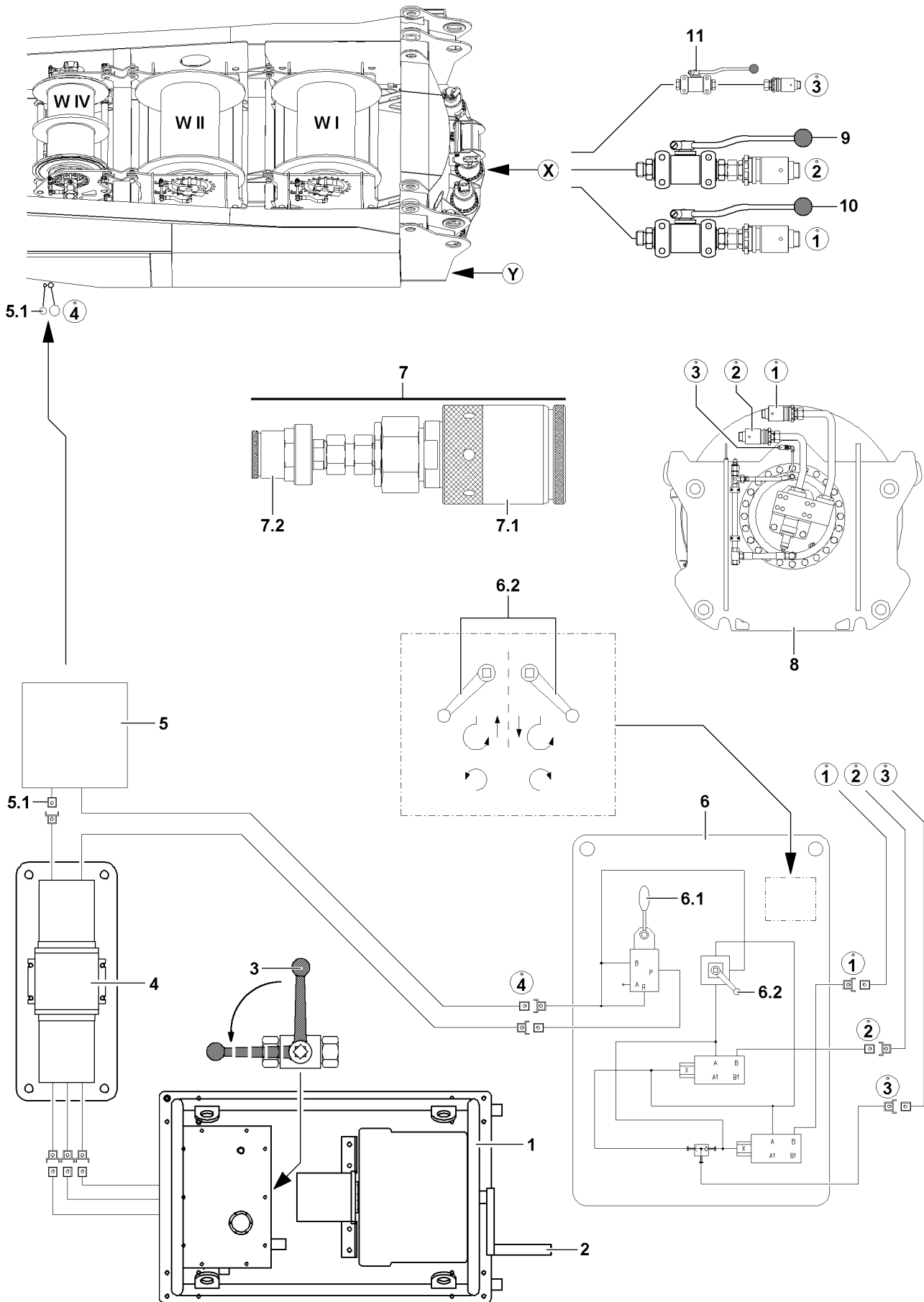


Fig.108301

LWE/LR 11350-005/19004-04-02/en

2 Emergency operation with assembly plate Variation 1 (V1)



Note

- ▶ The procedure of the emergency operation - except winch 4 on the LR1600/2 and LR1600/2-W - is identical for all winches and is described on the example of one winch!

Exception LR1600/2 and LR1600/2-W:

- ▶ Before emergency operation of winch 4 **W IV** on the LR1600/2 and LR1600/2-W, in addition to the hydraulic connections to lift, lower and for the control pressure of the brake, a control line must be connected, see section: „Emergency operation of winch 4 **W IV** on the LR1600/2 and LR1600/2-W!“

To carry out the emergency operation, use an emergency operation aggregate **1**, a hydraulic transformer **4** and the assembly plate **6**.

2.1 Functional selection on the assembly plate

With the ball valve **6.2** on the assembly plate **6** the following movements are preselected:

- Lift or lower
- Turn left or right
- ▶ Preselect crane movement: Activate ball valve **6.2** in the corresponding direction.

Moving the hand lever **6.1** determines the speed of the each crane movement.

- ▶ Operate the hand lever **6.1** and carry out the respective crane movement carefully.

2.2 Start the emergency operation aggregate

- ▶ Turn the crank **2** on the emergency operation aggregate* **1**.
- ▶ Switch the ball valve **3** to „horizontal“ position.



Note

- ▶ The engine rpm on the emergency operation aggregate can be set via a separate speed regulator!

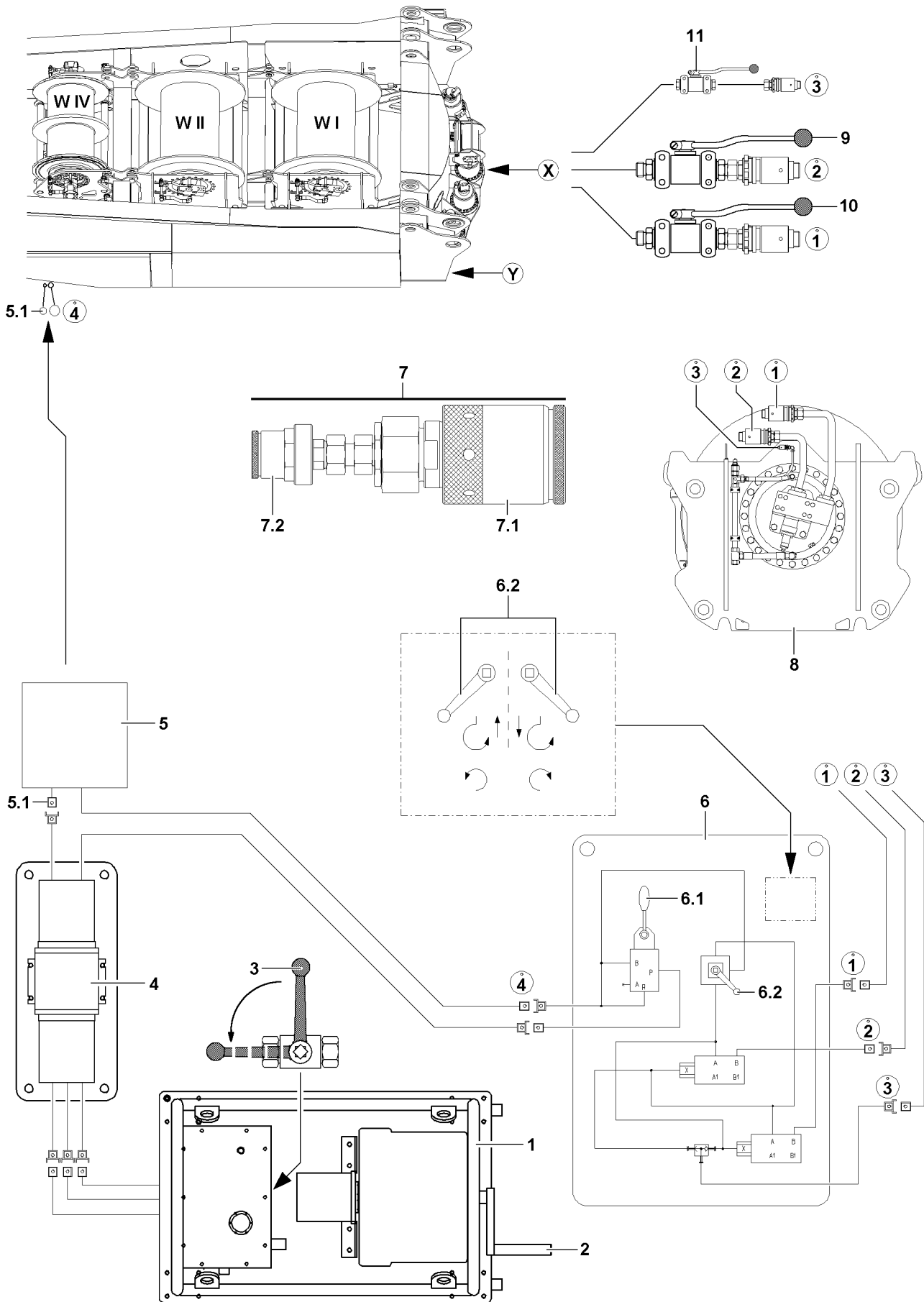


Fig.108301

LWE/LR 11350-005/19004-04-02/en

2.3 Emergency operation of winch 4 on the LR1600/2 and LR1600/2-W



WARNING

Emergency operation winch 4 **W IV!**

- ▶ Observe the section „Emergency operation of winch 4 (W IV) on the LR1600/2 and LR1600/2-W“!
-

2.4 Emergency operation winches

2.4.1 Establishing the hydraulic connections to the winch

Make sure that the following prerequisite is met:

- The pressure in the hydraulic system has been relieved.
- ▶ Release the hydraulic connections on the corresponding winch.
- ▶ Install the reducer sections **7** (adapter) with coupling sleeve **7.1** on the connection **1** and on the connection **2** of the winch **8**.



Note

- ▶ Observe the numbering of the hydraulic lines!
- ▶ Establish the hydraulic connections for the assembly plate **6** (connection **1**, connection **2** and brake **3**) to the winch **8**.

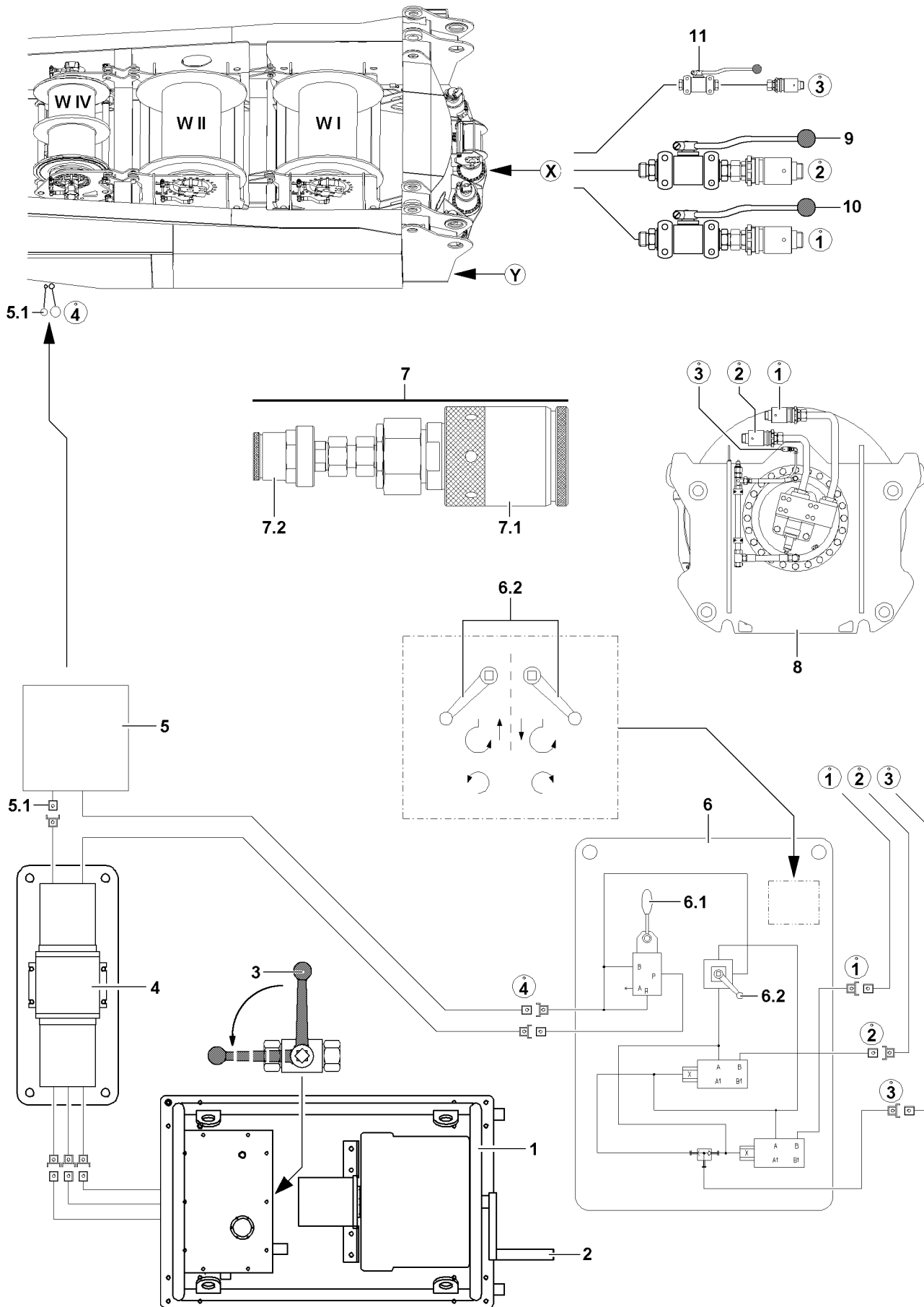


Fig.108301

LWE/LR 11350-005/19004-04-02/en

2.4.2 Spooling the winch out

- ▶ Set the ball valve **6.2** for the assembly plate **6** on „lower“.
- ▶ Move the manual lever **6.1** carefully.

Result:

- The winch spools out.

2.4.3 Spooling the winch up

- ▶ Set the ball valve **6.2** for the assembly plate **6** on „lift“.
- ▶ Move the manual lever **6.1** carefully.

Result:

- The winch spools up.

2.5 Disconnecting the hydraulic connections

Make sure that the following prerequisites are met:

- The emergency operation is completed.
 - The pressure in the hydraulic system has been relieved.
 - ▶ Disconnect the hydraulic connections from the winch **8** to the assembly plate **6**.
 - ▶ Remove the reducer sections **7** (adapter).
 - ▶ Close off the hydraulic connections of the winch **8** with dust caps.
- or**
- Reconnect the winch **8** onto the hydraulic system of the crane.

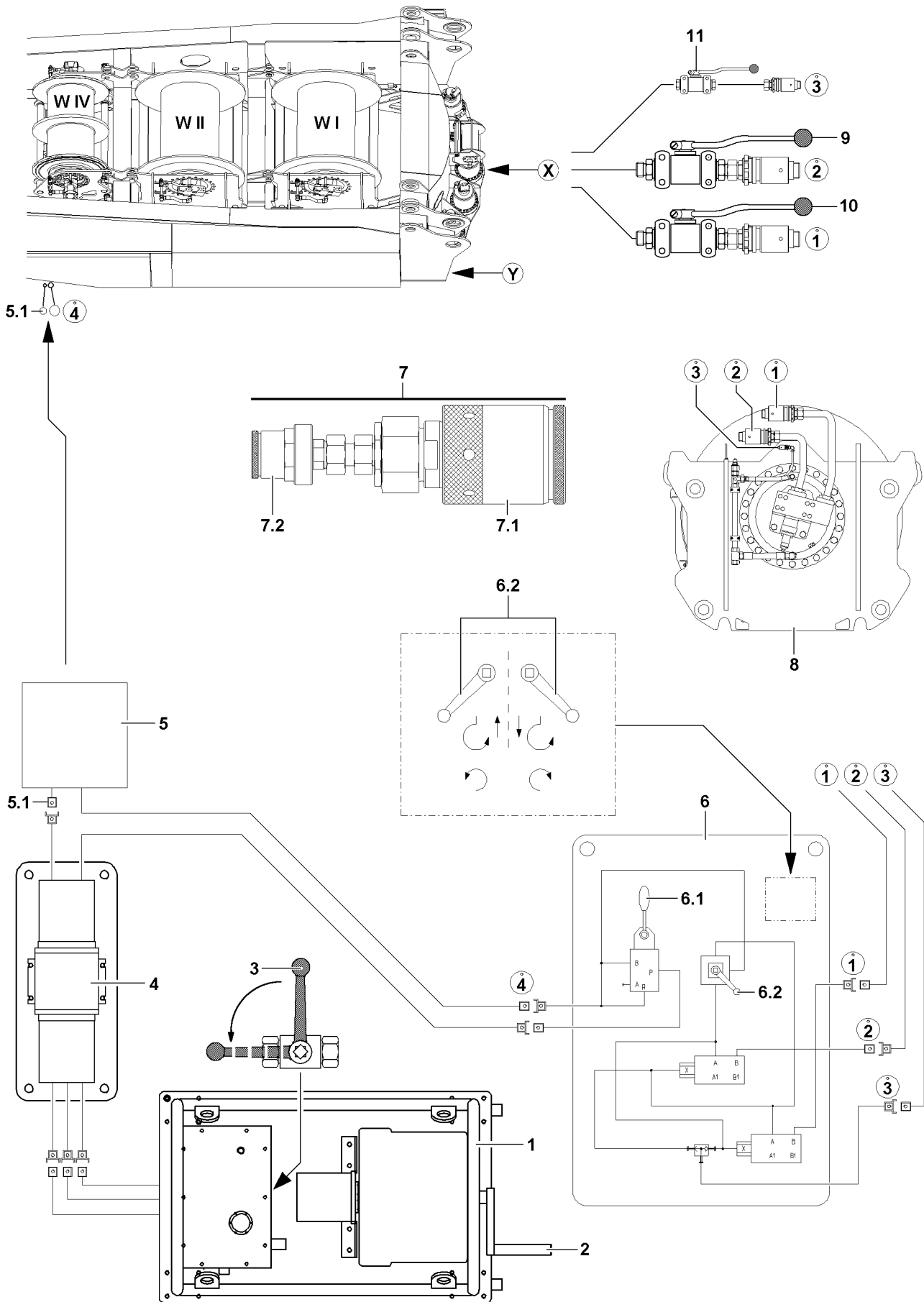


Fig.108301

LWE/LR 11350-005/19004-04-02/en

3 Emergency operation of slewing gear(s) with assembly plate Variation 1 (V1)



WARNING

Danger due to hydraulic pressure!

If the hydraulic lines are pressurized when releasing the connections, it can lead to severe injuries to assembly personnel!

- ▶ Relieve the pressure in the hydraulic lines before releasing!



Note

- ▶ For each crane type, the installation position of the ball valves for emergency operation of the slewing gear on the turntable varies!
- ▶ Possible installation positions of the ball valve: Point **X** or point **Y**!

3.1 Establishing the hydraulic connection to the slewing gears

Make sure that the following prerequisite is met:

- The pressure in the hydraulic system has been relieved.



Note

- ▶ Observe the numbering of the hydraulic lines!
- ▶ Establish the hydraulic connections of the assembly plate **6** (connection **1**, connection **2** and brake **3**) to the „Ball valves“ on the turntable.

3.2 Turning the turntable to the left

- ▶ Set the ball valve **9** into emergency operation position.
- ▶ Set the ball valve **10** into emergency operation position.
- ▶ Set the ball valve **11** into emergency operation position.
- ▶ Set the ball valve **6.2** for the assembly plate **6** on „turn left“.
- ▶ Move the manual lever **6.1** carefully.

Result:

- The turntable turns to the left.

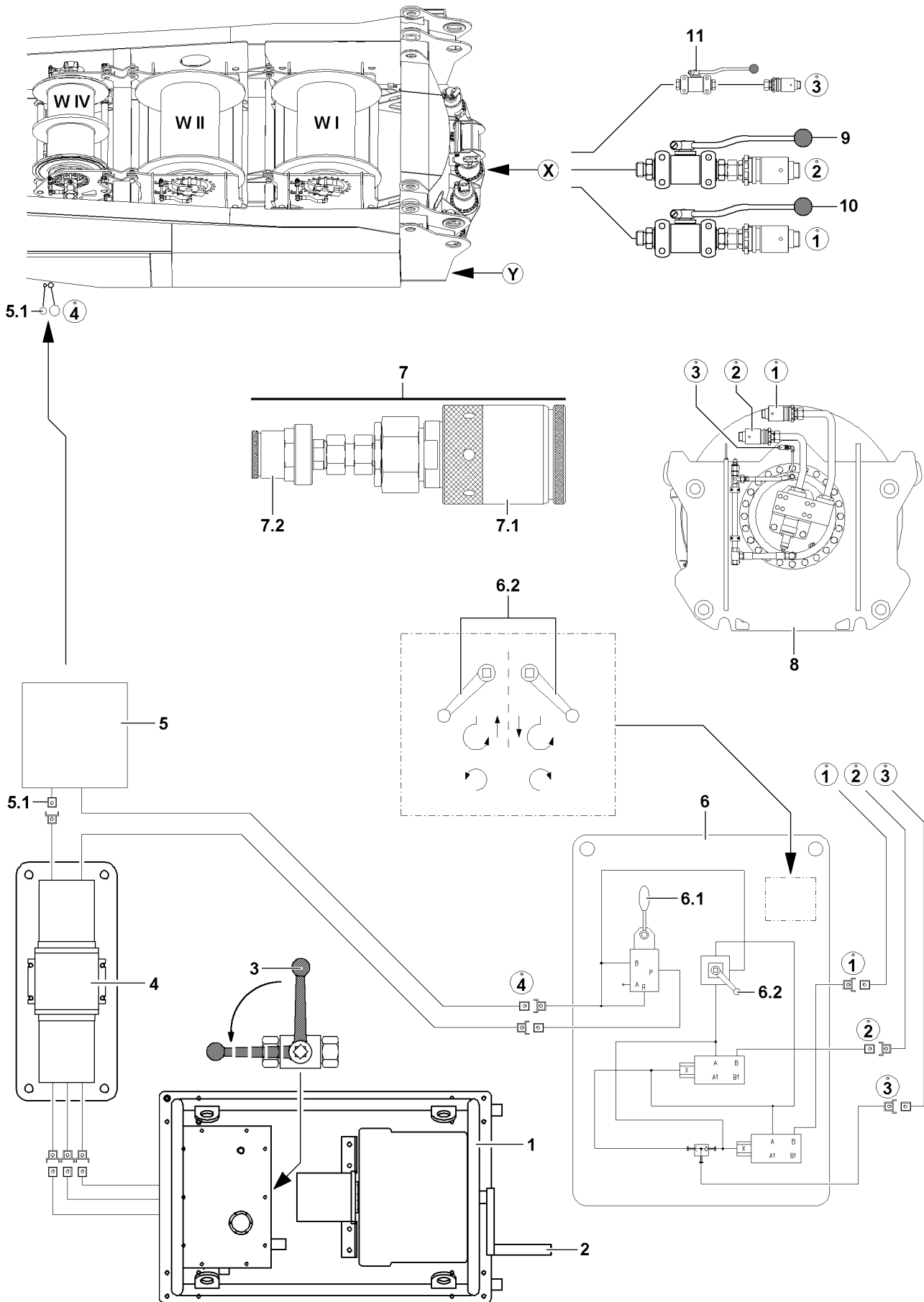


Fig.108301

LWE/LR 11350-005/19004-04-02/en

3.3 Turning the turntable to the right

- ▶ Set the ball valve **9** into emergency operation position.
- ▶ Set the ball valve **10** into emergency operation position.
- ▶ Set the ball valve **11** into emergency operation position.
- ▶ Set the ball valve **6.2** for the assembly plate **6** on „turn right“.
- ▶ Move the manual lever **6.1** carefully.

Result:

- The turntable turns to the right.

3.4 Disconnecting the hydraulic connections

Make sure that the following prerequisites are met:

- The emergency operation is completed.
- The pressure in the hydraulic system has been relieved.

Disconnect the hydraulic connections to the assembly plate **6**.

- ▶ Reposition the ball valve **9** in position for crane operation.
- ▶ Reposition the ball valve **10** in position for crane operation.
- ▶ Reposition the ball valve **11** in position for crane operation.

When the ball valve **9**, ball valve **10** and ball valve **11** are repositioned into crane operation position:

- ▶ Disconnect the hydraulic connections to the assembly plate **6**.
- ▶ Close off the hydraulic connections with dust plugs.

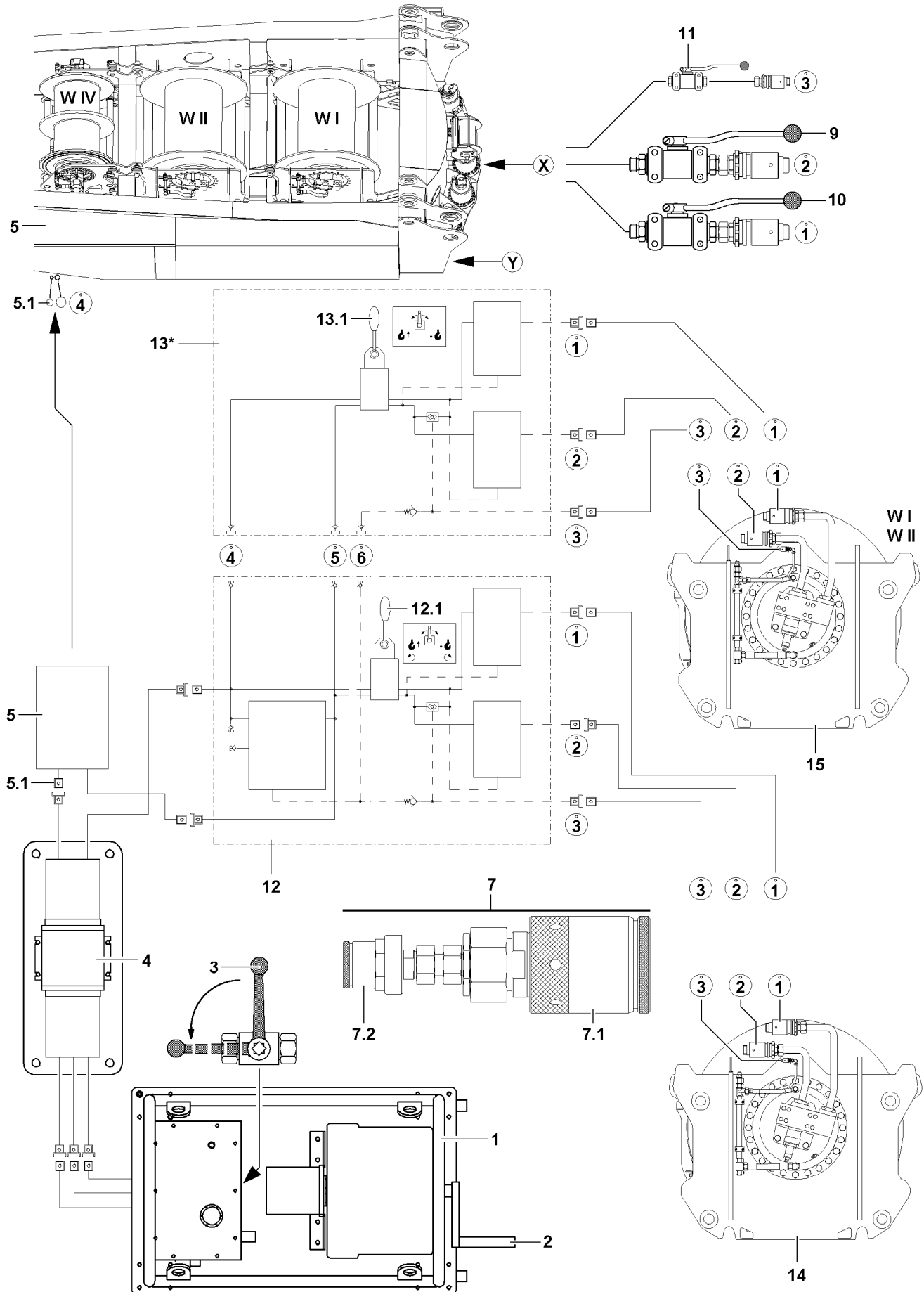


Fig.109393

LWE/LR 11350-005/19004-04-02/en

4 Emergency operation with assembly plate(s) Variation 2 (V2)



Note

- ▶ The procedure of the emergency operation - except winch 4 on the LR1600/2 and LR1600/2-W - is identical for all winches and is described on the example of one winch!

Exception LR1600/2 and LR1600/2-W:

- ▶ Before emergency operation of winch 4 **W IV** on the LR1600/2 and LR1600/2-W, in addition to the hydraulic connections to lift, lower and for the control pressure of the brake, a control line must be connected, see section: „Emergency operation of winch 4 **W IV** on the LR1600/2 and LR1600/2-W!“

To carry out the emergency operation, use an emergency operation aggregate **1**, a hydraulic transformer **4** and the assembly plate **12**. To carry out the emergency operation from winch **1 W I** and winch **2 W II** in parallel operation (1||2), in addition to the assembly plate **12**, the assembly plate **13** is needed. Connect the assembly plate **12** with the assembly plate **13** hydraulically on hydraulic connections 4, 5 and 6.

4.1 Start the emergency operation aggregate

- ▶ Turn the crank **2** on the emergency operation aggregate* **1**.
- ▶ Switch the ball valve **3** to „horizontal“ position.



Note

- ▶ The engine rpm on the emergency operation aggregate can be set via a separate speed regulator!

4.2 Emergency operation of winch 4 on the LR1600/2 and LR1600/2-W



WARNING

Emergency operation winch 4 **W IV**!

- ▶ Observe the section „Emergency operation of winch 4 (W IV) on the LR1600/2 and LR1600/2-W“!

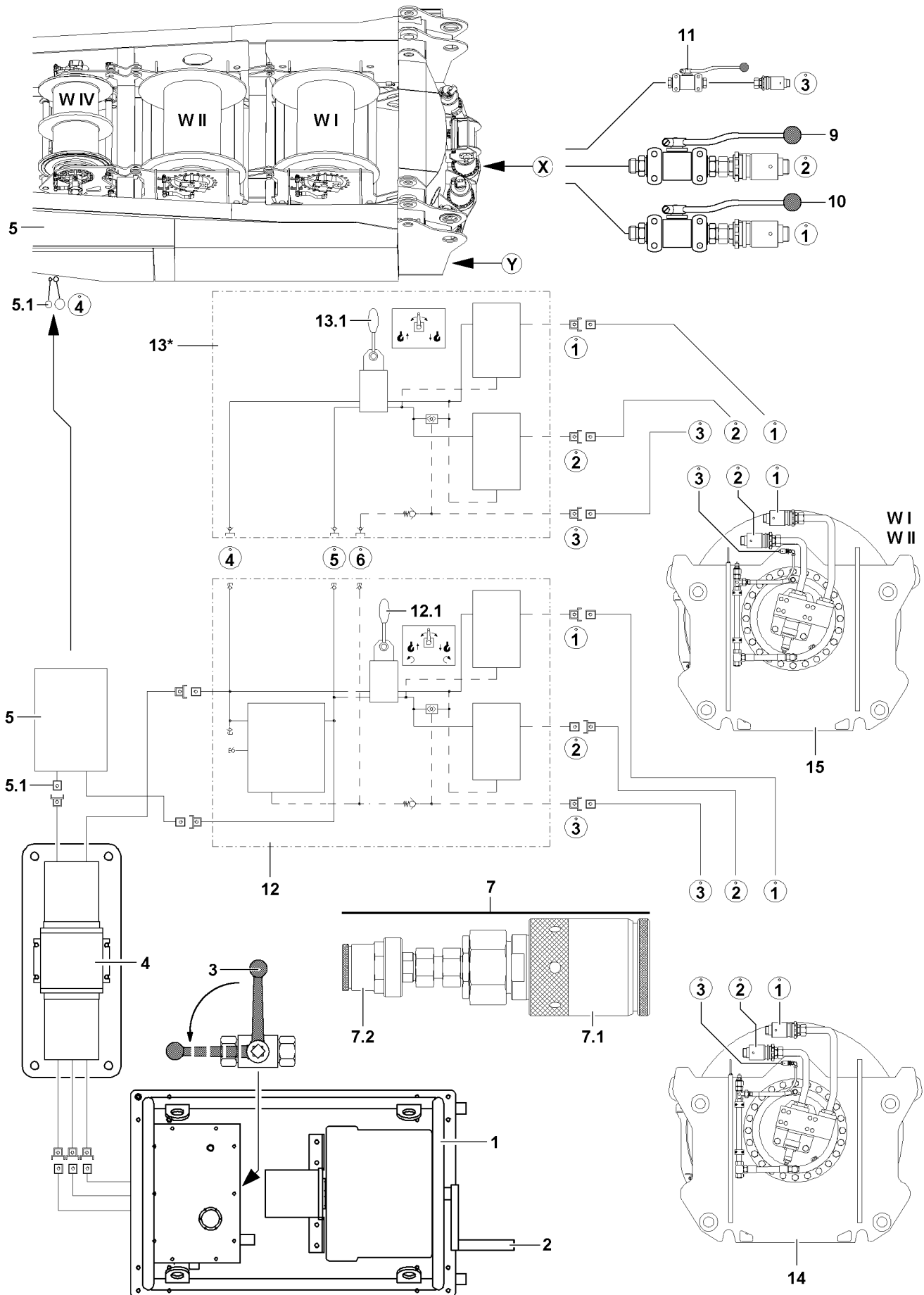


Fig.109393

LWE/LR 11350-005/19004-04-02/en

4.3 Emergency operation of winches, individual operation

**Note**

- ▶ The crane movements are actuated and the speed of the respective crane movement is determined via the ball valve **12.1** and ball valve **13.1**!

4.3.1 Establishing the hydraulic connections to the winch

Make sure that the following prerequisite is met:

- The pressure in the hydraulic system has been relieved.
- ▶ Release the hydraulic connections on the corresponding winch.
- ▶ Install the reducer sections **7** (adapter) with coupling sleeve **7.1** on the connection **1** and on the connection **2** of the respective winch.

**Note**

- ▶ Observe the numbering of the hydraulic lines!
- ▶ Establish the hydraulic connection of the assembly plate **12** (connection **1**, connection **2** and brake **3**) to the respective winch.

4.3.2 Spooling the winch out

- ▶ Set the ball valve **12.1** for the assembly plate **12** on „lower“.

Result:

- The winch spools out.

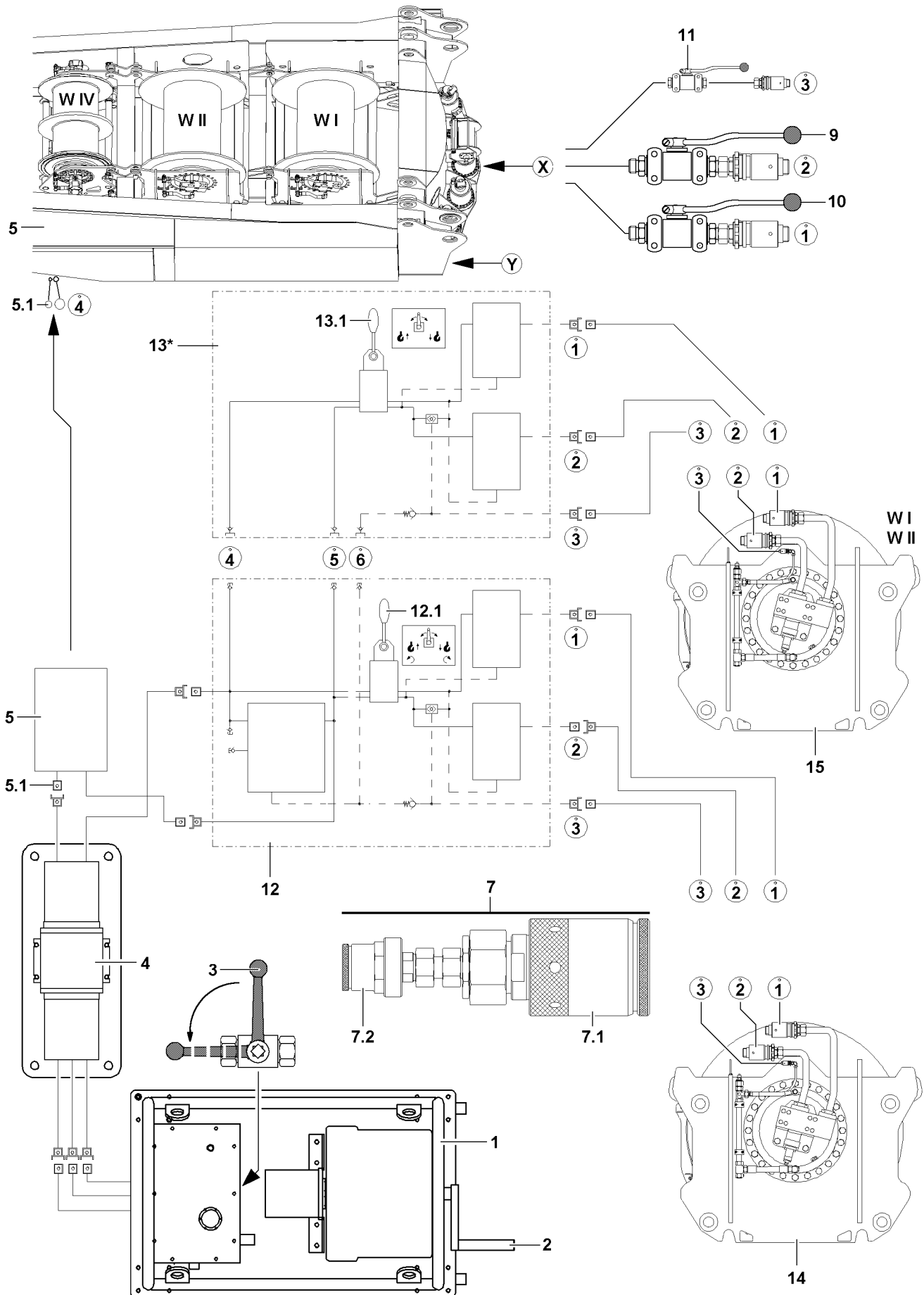


Fig.109393

LWE/LR 11350-005/19004-04-02/en

4.3.3 Spooling the winch up

- ▶ Set the ball valve **12.1** for the assembly plate **12** on „lift“.

Result:

- The winch spools up.

4.3.4 Disconnecting the hydraulic connections

Make sure that the following prerequisites are met:

- The emergency operation is completed.
 - The pressure in the hydraulic system has been relieved.
 - ▶ Separate the hydraulic connections from the respective winch to the assembly plate **12**.
 - ▶ Remove the reducer sections **7** (adapter).
 - ▶ Close off the hydraulic connections of the winch with dust plugs.
- or**
- Reconnect the winch to the hydraulic system of the crane.

4.4 Emergency operation of winches, parallel operation winch 1|12



Note

- ▶ The crane movements are actuated and the speed of the respective crane movement is determined via the ball valve **12.1** and ball valve **13.1**!



WARNING

Risk of accident!

If the following notes are not observed, dangerous situations can arise!

Personnel can be severely injured or killed!

- ▶ If winch 1 and winch 2 are actuated in emergency operation in parallel operation, then it must be ensured that the hook blocks are horizontally aligned!
- ▶ Always actuate winch 1 and winch 2 simultaneously!

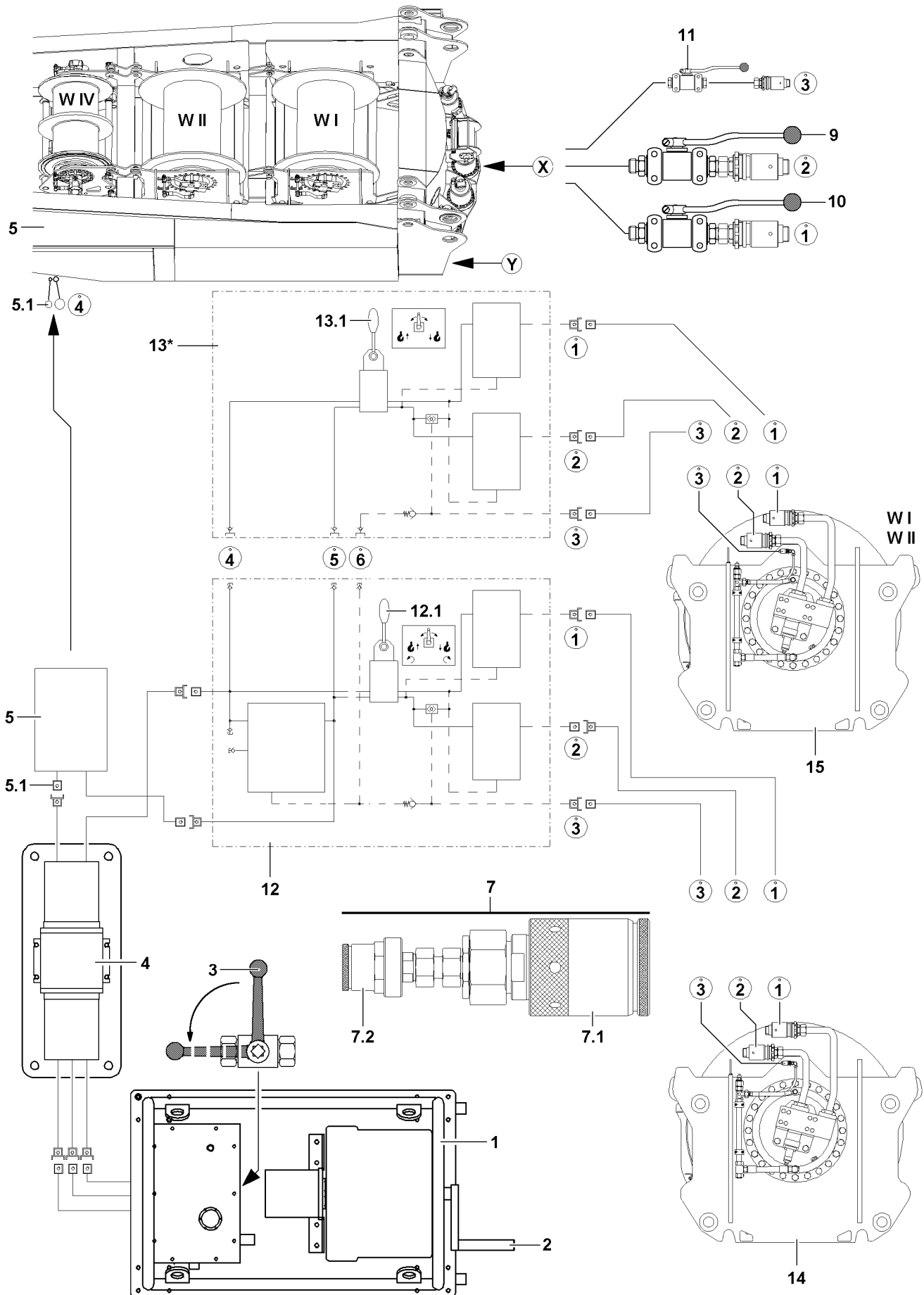


Fig.109393

LWE/LR 11350-005/19004-04-02/en

4.4.1 Establishing the hydraulic connections to the winches

Make sure that the following prerequisite is met:

- The pressure in the hydraulic system has been relieved.
- ▶ Release the hydraulic connections on winch 1 and winch 2.
- ▶ Install the reducer sections **7** (adapter) with coupling sleeve **7.1** on the connection **1** and on the connection **2** of the respective winch.



Note

- ▶ Observe the numbering of the hydraulic lines!
-
- ▶ Establish the hydraulic connections for the assembly plate **12** (connection **1**, connection **2** and brake **3**) to winch 1.
or
Establish the hydraulic connections for the assembly plate **12** (connection **1**, connection **2** and brake **3**) to winch 2.
 - ▶ Establish the hydraulic connections for the assembly plate **13** (connection **1**, connection **2** and brake **3**) to winch 1.
or
Establish the hydraulic connections for the assembly plate **13** (connection **1**, connection **2** and brake **3**) to winch 2.

4.4.2 Spooling the winches out



Note

- ▶ Check which winch you have connected to which assembly plate!

- ▶ Set the ball valve **12.1** for the assembly plate **12** on „lower“.

Result:

- Winch 1 **or** winch 2 spools out.

- ▶ Set the ball valve **13.1** for the assembly plate **13** on „lower“.

Result:

- Winch 2 **or** winch 1 spools out.

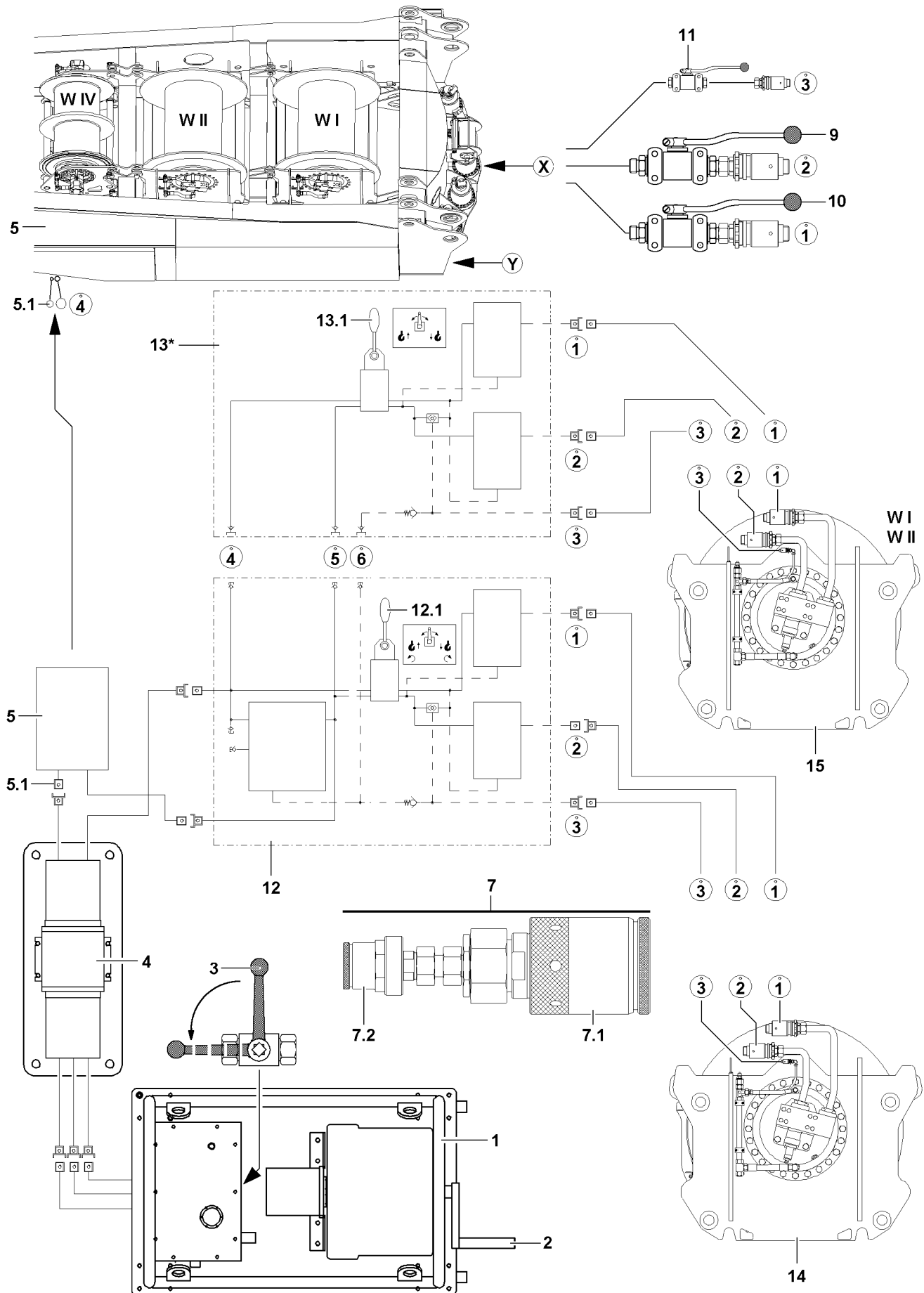


Fig.109393

LWE/LR 11350-005/19004-04-02/en

4.4.3 Spooling the winches up

- ▶ Set the ball valve **12.1** for the assembly plate **12** on „lift“.

Result:

- Winch 1 **or** winch 2 spools up.

- ▶ Set the ball valve **13.1** for the assembly plate **13** on „lift“.

Result:

- Winch 2 **or** winch 1 spools up.

4.4.4 Disconnecting the hydraulic connections

Make sure that the following prerequisites are met:

- The emergency operation is completed.
- The pressure in the hydraulic system has been relieved.
- ▶ Disconnect the hydraulic connections of winch 1 and winch 2 to the respective assembly plates.
- ▶ Remove the reducer sections **7** (adapter).
- ▶ Close off the hydraulic connections of the winches with dust plugs.
or
Reconnect the winches to the hydraulic system of the crane.

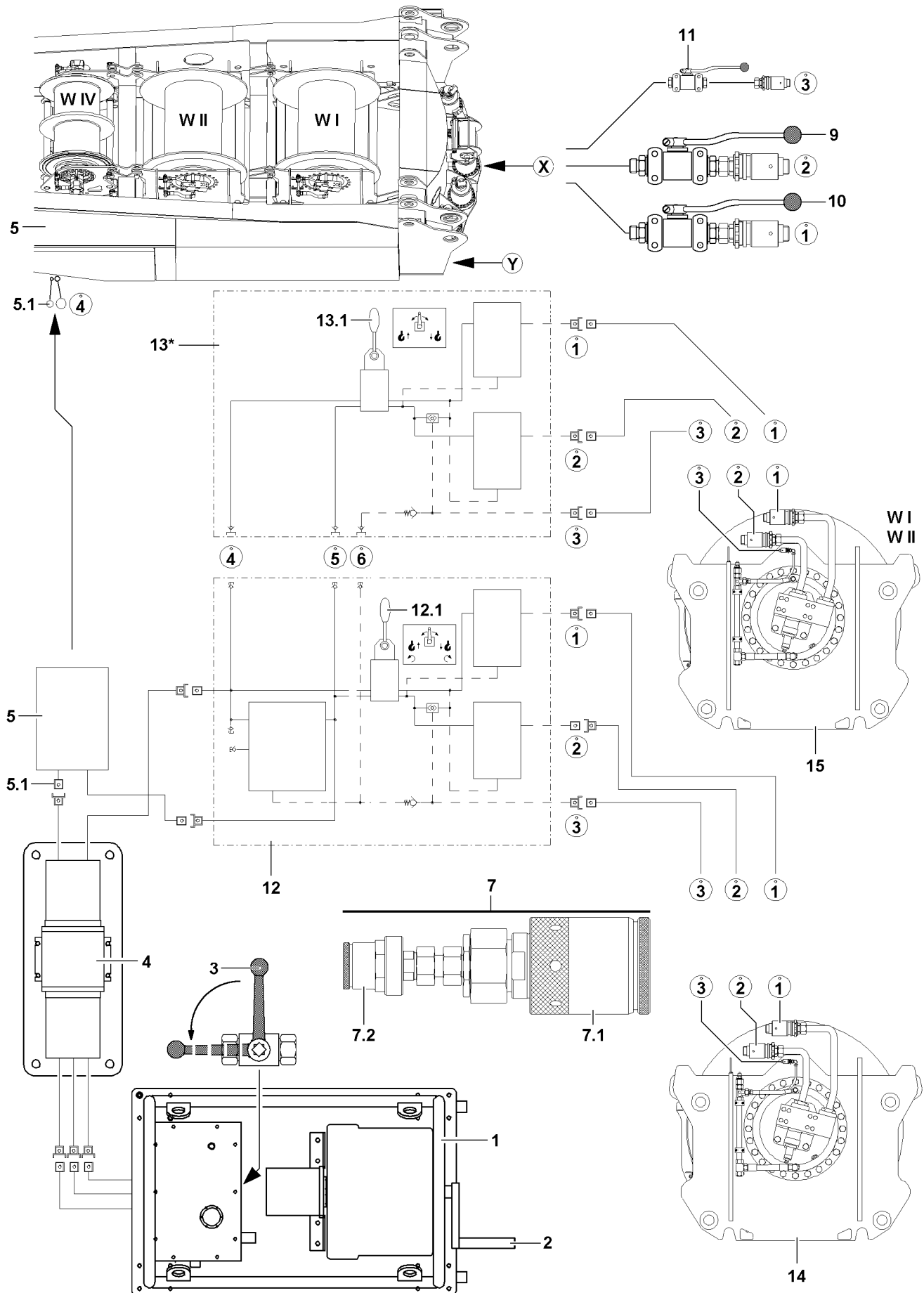


Fig.109393

LWE/LR 11350-005/19004-04-02/en

5 Emergency operation slewing gear(s) with assembly plate(s) Variation 2 (V2)



WARNING

Danger due to hydraulic pressure!

If the hydraulic lines are pressurized when releasing the connections, it can lead to severe injuries to assembly personnel!

- ▶ Relieve the pressure in the hydraulic lines before releasing!



Note

- ▶ For each crane type, the installation position of the ball valves for emergency operation of the slewing gear on the turntable varies!
- ▶ Possible installation positions of the ball valve: Point **X** or point **Y**!



Note

- ▶ The slewing movement is actuated and the speed of the slewing movement is determined via the ball valve **12.1**!

5.1 Establishing the hydraulic connection to the slewing gears

Make sure that the following prerequisite is met:

- The pressure in the hydraulic system has been relieved.



Note

- ▶ Observe the numbering of the hydraulic lines!
- ▶ Establish the hydraulic connections of the assembly plate **12** (connection **1**, connection **2** and brake **3**) to the „Ball valves“ on the turntable.

5.2 Turning the turntable to the left

- ▶ Set the ball valve **9** into emergency operation position.
- ▶ Set the ball valve **10** into emergency operation position.
- ▶ Set the ball valve **11** into emergency operation position.
- ▶ Set the ball valve **12.1** for the assembly plate **12** on „turn left“.

Result:

- The turntable turns to the left.

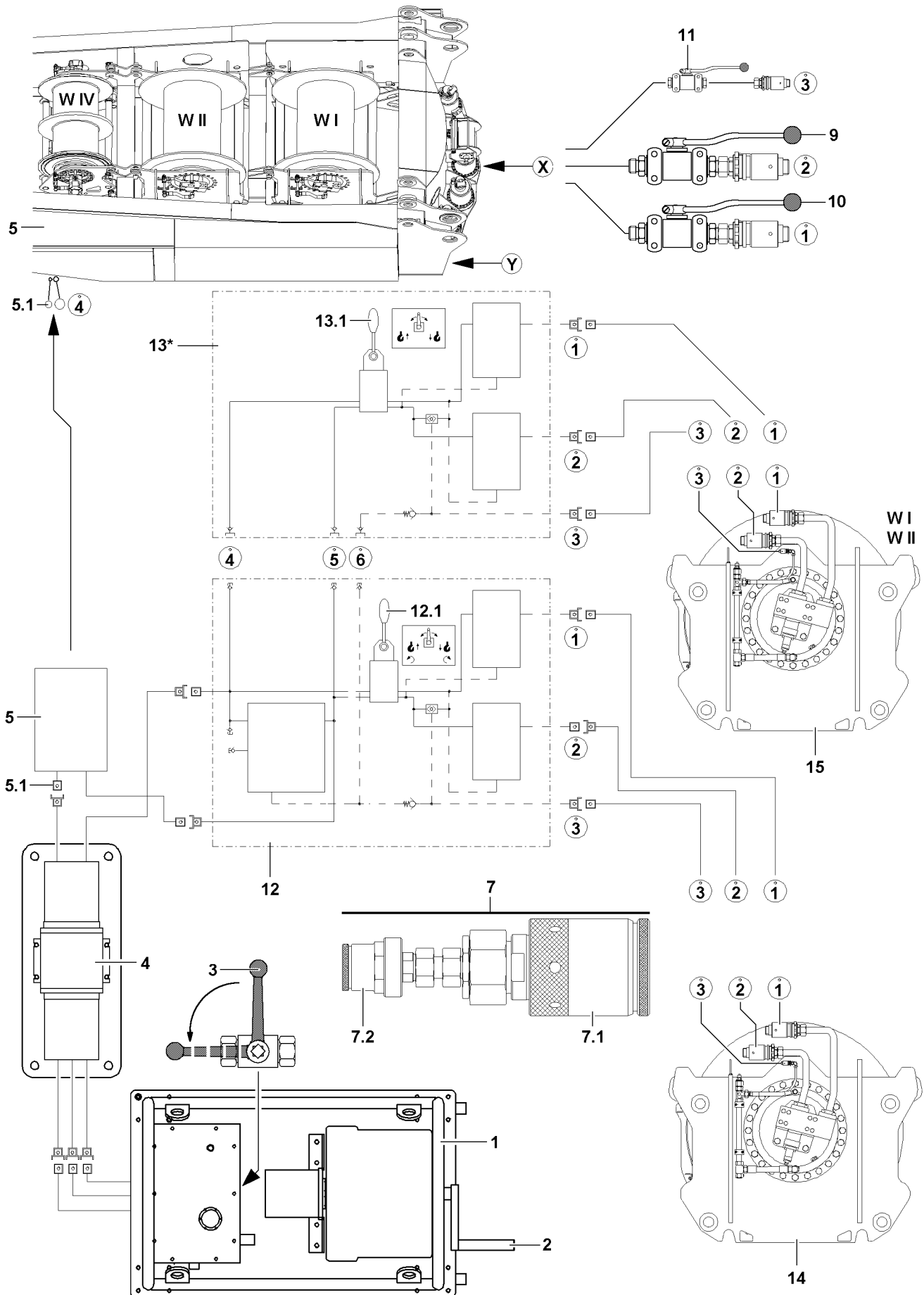


Fig.109393

LWE/LR 11350-005/19004-04-02/en

5.3 Turning the turntable to the right

- ▶ Set the ball valve **9** into emergency operation position.
- ▶ Set the ball valve **10** into emergency operation position.
- ▶ Set the ball valve **11** into emergency operation position.
- ▶ Set the ball valve **12.1** for the assembly plate **12** on „turn right“.

Result:

- The turntable turns to the right.

5.4 Disconnecting the hydraulic connections

Make sure that the following prerequisites are met:

- The emergency operation is completed.
- The pressure in the hydraulic system has been relieved.

Disconnect the hydraulic connections to the assembly plate **12**.

- ▶ Reposition the ball valve **9** in position for crane operation.
- ▶ Reposition the ball valve **10** in position for crane operation.
- ▶ Reposition the ball valve **11** in position for crane operation.

When the ball valve **9**, ball valve **10** and ball valve **11** are repositioned into crane operation position:

- ▶ Disconnect the hydraulic connections to the assembly plate **12**.
- ▶ Close off the hydraulic connections with dust plugs.

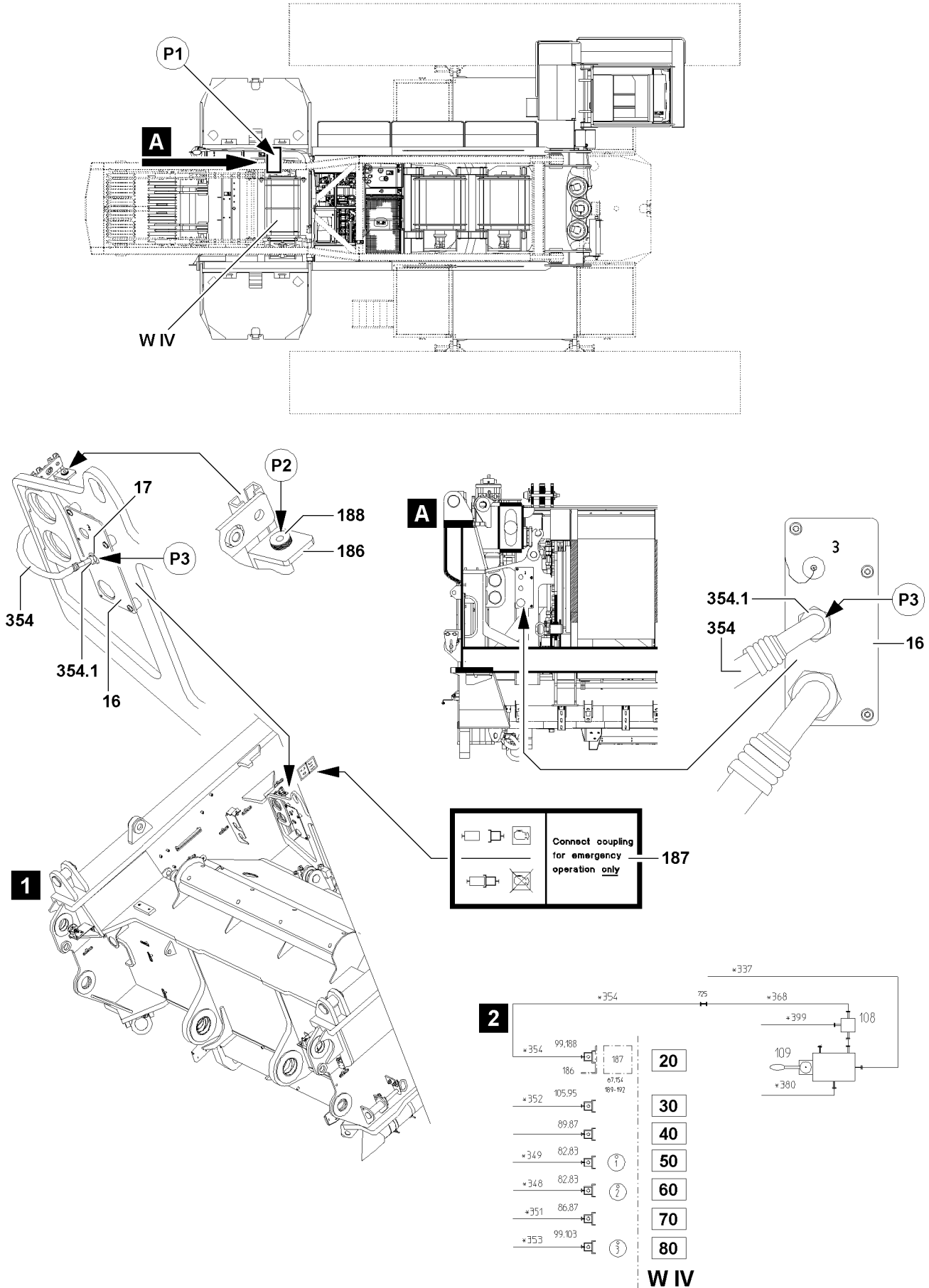


Fig.112453

LWE/LR 11350-005/19004-04-02/en

6 Emergency operation of winch 4 (W IV) on the LR1600/2 and LR1600/2-W

NOTICE

Damage of crane components!

If the hydraulic hose (control line) **354** for the emergency operation is not connected properly, then hydraulic parts or crane components can be damaged!

- ▶ Make sure, before starting the emergency operation, that the hydraulic hose **354** is properly connected!

6.1 Emergency operation winch 4 (WIV)

6.1.1 Establishing the hydraulic connections to winch 4 (WIV)



Note

- ▶ The hydraulic connections to winch 4 - connection 1, connection 2 and brake - have been established, see section „Emergency operation of winches“!
- ▶ Pay attention to the different variations of the assembly plates!

Before emergency operation of winch 4 **W IV**, in addition to the hydraulic connections for the emergency operation of the winch, the hydraulic hose **354** must be connected.

Make sure that the following prerequisites are met:

- The hydraulic connections to winch 4 are established.
- The hydraulic hose **354** is in park position, point **P2**.
- ▶ Release the hydraulic hose **354** with the fitting **354.1** on the plug **188** (park position), point **P2**.
- ▶ Guide the hydraulic hose **354** to the front to the connector plate **16**.
- ▶ Connect the hydraulic hose **354** with the fitting **354.1** on the supply line **17**, point **P3**, of the connector plate **16**.



Note

- ▶ Observe the notes in the sections „Emergency operation of winches“!

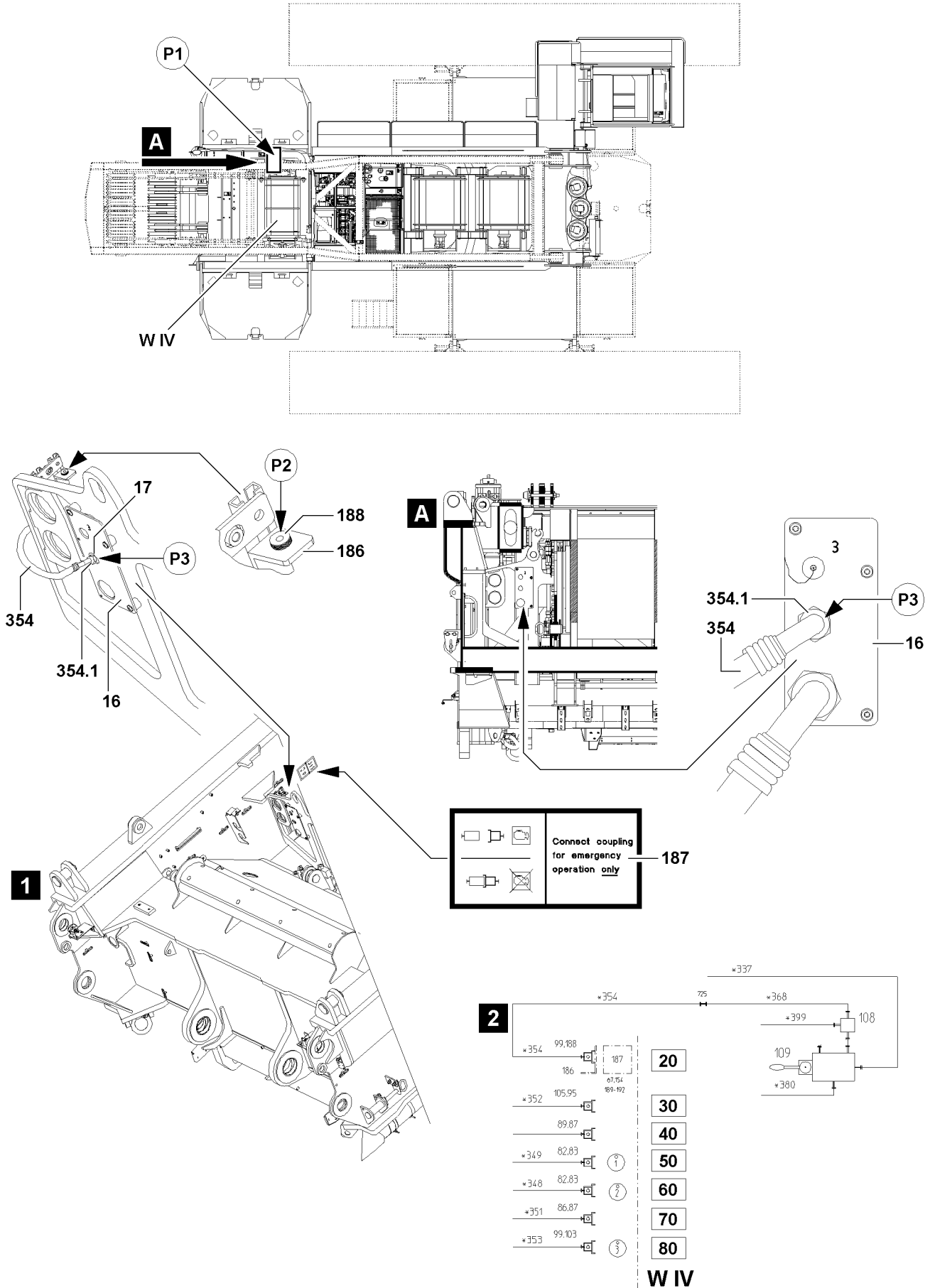


Fig.112453

LWE/LR 11350-005/19004-04-02/en

6.1.2 Spooling the winch out

- ▶ See section: „Emergency operation with assembly plate Variation 1 (V1)“
or
- ▶ See section: „Emergency operation with assembly plate Variation 2 (V2)“

6.1.3 Spooling the winch up

- ▶ See section: „Emergency operation with assembly plate Variation 1 (V1)“
or
- ▶ See section: „Emergency operation with assembly plate Variation 2 (V2)“

6.2 Disconnecting the hydraulic connections

Make sure that the following prerequisites are met:

- The emergency operation is completed.
- The pressure in the hydraulic system has been relieved.
- ▶ Disconnect the hydraulic connections from the winch 4 to the assembly plate.
- ▶ Remove the reducer sections (adapter).
- ▶ Close off the hydraulic connections of the winch 4 **W IV** with dust caps.
or
Reconnect the winch 4 **W IV** onto the hydraulic system of the crane.
- ▶ Disconnect the hydraulic hose **354** at point **P3**.
- ▶ Bring the hydraulic hose **354** in parking position: Install the fitting **354.1** onto the plug **188**.

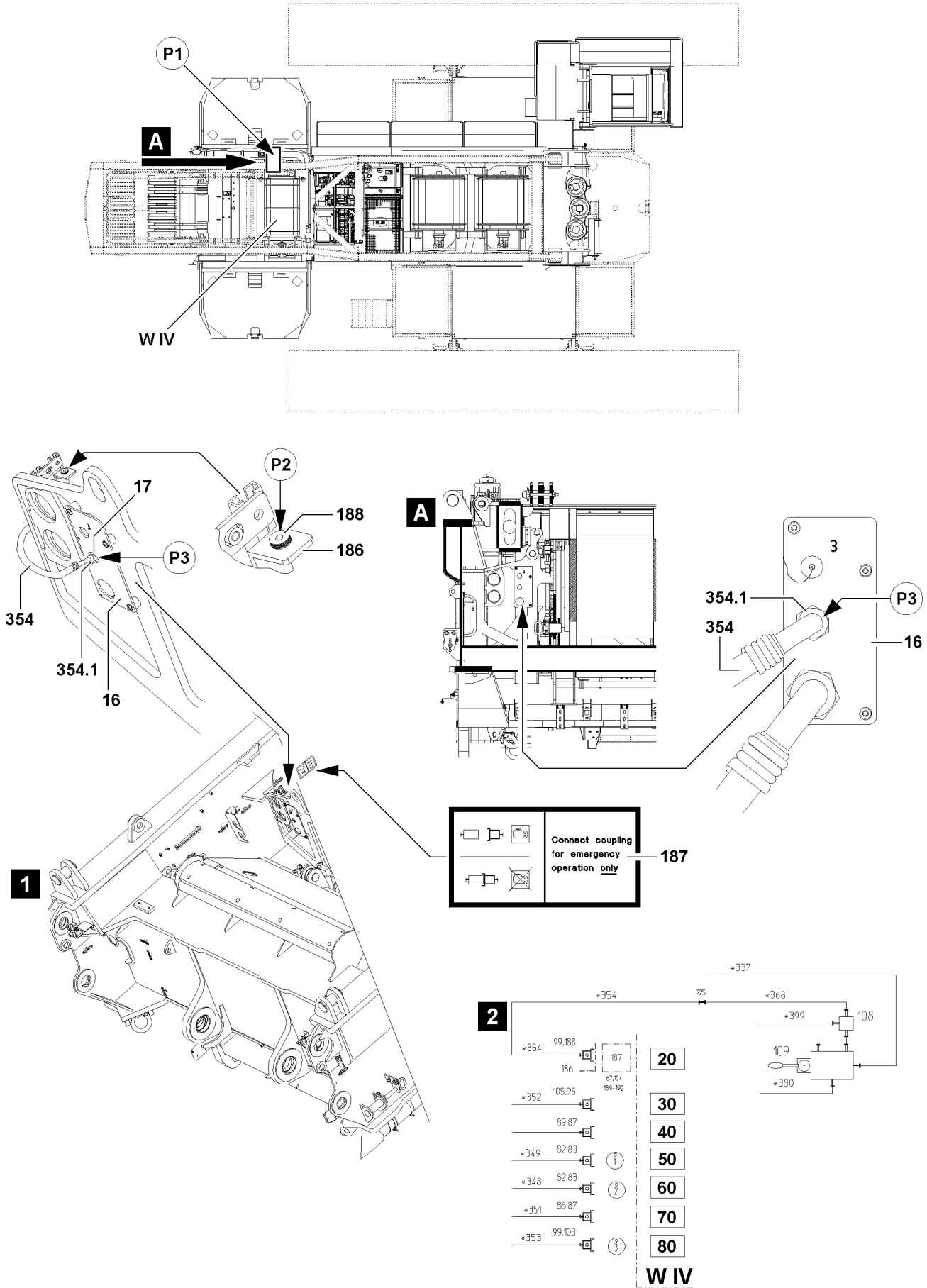


Fig.112453

LWE/LR 11350-005/19004-04-02/en

6.3 Connection schematic for emergency operation, illustration 2



Note

▶ See also Hydraulic schematic!

Position	Connection / description
20	Control pressure SA-frame
50	Lifting
60	Lowering
80	Replenishing pressure brake

7 Ending emergency operation

7.1 Procedure

- ▶ Turn the emergency operation aggregate* 1 off.
- ▶ Close the ball valve 3.
- ▶ Disconnect the hydraulic connections and close them off with dust plugs.

Empty page!

LWE/LR 11350-005/19004-04-02/en

7 Service and maintenance

LWE/LR 11350-005/19004-04-02/en

Fig.195219

LWE/LR 11350-005/19004-04-02/en

1 Technical safety instructions



WARNING

Maintenance instructions **not** adhered to!

Death, severe injury, increased wear and failure of components.

- ▶ Observe the following listed safety notes and the generally applicable safety rules!
- ▶ Adhere to the maintenance intervals.
- ▶ Carry out only applicable maintenance tasks.
- ▶ Repair and maintenance tasks are to be carried out carefully.
- ▶ For aggregates and components: Follow the operating instructions of the manufacturer.

1.1 Description of intervals and tasks



Note

- ▶ Fill quantities and descriptions of service items and lubricants are specified in the Service fill.

The maintenance intervals and scope of maintenance are described in several chapters.

For crane maintenance, observe the following chapters:

- Crane operating instructions, chapter 7.02: Maintenance intervals - Crane chassis ¹⁾
- Crane operating instructions, chapter 7.02.50: Maintenance intervals Ballast trailer*¹⁾
- Crane operating instructions, chapter 7.03: Maintenance intervals - Crane superstructure ¹⁾
- Crane operating instructions, chapter 7.03.50: Maintenance intervals - Crane boom ¹⁾
- Crane operating instructions, chapter 7.04: Maintenance guidelines - Crane chassis ²⁾
- Crane operating instructions, chapter 7.05: Maintenance guidelines - Crane superstructure ²⁾
- Crane operating instructions, chapter 7.05.50 Maintenance guidelines - Crane boom ²⁾
- Crane operating instructions, chapter 7.06: Fill quantities, lubrication chart
- Crane operating instructions, chapter 7.07: Service items and lubricants

¹⁾ These chapters contain a list of maintenance intervals for all maintenance tasks.

²⁾ For aggregates, observe and adhere to additionally to the instructions of the manufacturer.

1.2 Definition of „Checking“

The action of „Checking“ includes all required task in connection with the maintenance, for example:

- Determining a specified value
- Cleaning
- Adjusting
- Refilling
- Replacing

1.3 Maintenance intervals

Use the following rules for interval determination:

- Carry out maintenance and inspection tasks on the crane chassis after reaching the specified driven mileage, operating hours or calendar intervals. The interval which occurs first is the deciding factor.
- Carry out maintenance and inspection tasks on the crane superstructure after reaching the specified operating hours or calendar intervals. The interval which occurs first is the deciding factor.
- The maintenance intervals complement each other. If a higher interval is coming up, then carry out the tasks according to the lower interval also.

1.4 Securing against operation



WARNING

Impermissible driving or crane operation during maintenance or repair tasks!

Death, severe injury, severe property damage.

- ▶ Make sure that driving and crane operation is not possible during maintenance and repair tasks.
- ▶ Show clearly with signs that maintenance or repair tasks are being carried out on the mobile crane.
- ▶ Use signs which show without a doubt that it is prohibited to drive and operate the crane.
- ▶ Adhere to the national regulations regarding tagging on mobile crane and signs.
- ▶ Turn the engine on the crane superstructure and the crane chassis off!
- ▶ Apply the „parking brake crane chassis“.

If possible:

- ▶ Lock the driver's cab and the crane cab.
- ▶ Hand the ignition key from the crane superstructure and the crane chassis to an authorized person.

1.5 Personnel



WARNING

Unauthorized and **untrained** expert personnel!

Improper maintenance, personal injury, property damage.

- ▶ Carry out maintenance or repair tasks exclusively with authorized and trained expert personnel.
- ▶ Make sure that **exclusively** authorized persons are within the danger zone.

1.6 Securing against falls



WARNING

Personnel is **not** secured against falls!

During maintenance tasks on the crane superstructure or boom, personnel must be secured with appropriate safety measures to prevent them from falling. If this is **not** observed, working personnel can fall and be killed or severely injured.

- ▶ For all tasks on the crane where there is a danger of falling, take suitable safety measures.
- ▶ The crane superstructure or the boom may **not** be accessed without suitable aids.
- ▶ Suitable aids are, for example: Lifting platforms, scaffoldings, ladders, assembly platforms, auxiliary crane.
- ▶ If railings are present on the crane superstructure, then they must be swung into operating position and secured for all tasks. See Crane operating instructions, chapter 2.06.
- ▶ Only step on such aids with clean shoes.
- ▶ Keep aids clean, free of snow and ice.
- ▶ If tasks cannot be carried out using these aids or from the ground, then the maintenance personnel must be protected from falling using approved fall arrest systems. See Crane operating instructions, chapter 2.04.
- ▶ It is prohibited to step on the driver's cab or cab roof and specially marked surfaces. See Crane operating instructions, chapter 2.05.



WARNING

Dirty slip-resistant mats!

Fall

- ▶ Keep slip-resistant mats clean and free of snow and ice!
- ▶ Only step on slip-resistant mats with clean shoes!
- ▶ Replace or renew missing or damaged slip-resistant mats!

1.7 Preventing fires



WARNING

Excess fuel, excess oil in engine compartment during operation!
Death, severe injury, fire damage.

- ▶ Check the diesel engine after repairs and Service tasks but also in regular intervals for leaking oil and fuel.
- ▶ Make sure that the V-area of the Diesel engine is free of oil and fuel.



WARNING

Disregard of general safety regulations during tasks on the fuel system or on the electrical system!
Severe burns, fire damage.

- ▶ Disconnect the battery from the power supply.
- ▶ Do **not** smoke.
- ▶ Do **not** work near open flames.
- ▶ Keep a functioning fire extinguisher ready.



WARNING

Insulation (sound insulation) are contaminated with solvents or foreign matter!
Solvents, engine oils, gear oils, hydraulic oils or fuels can ignite the insulation.
Severe burns, fire damage.

- ▶ Remove any polluted insulation **immediately** and **replace immediately** with **Original Liebherr spare parts**.

1.8 Protecting from burns



WARNING

Hot surfaces of crane components, especially on the exhaust system or travel gear!
Severe burns.

- ▶ Let any components to be maintained or inspected cool off.
- ▶ Do not spill any service fluids over the hot components.
- ▶ Avoid short circuits in the electrical system, especially on the battery.
- ▶ Replace or change missing or defective protective insulation.

1.9 Protecting from scalding



WARNING

Cooling system is pressurized!
When the coolant reservoir is opened, hot coolant can escape explosively.
Severe scalding.

When the engine is warm:

- ▶ Do **not** open the cover of the coolant reservoir.
- ▶ To protect face, hands and arms from hot steam of hot coolant, cover the cap with a large rag when opening.

1.10 Rotating parts



WARNING

Rotating parts, ignition system on running engine!
The cooler fan can turn on suddenly.
Death, severe injury.

- ▶ Proceed especially careful.
- ▶ Do **not** reach into rotating parts.
- ▶ Never reach into the cooler fan when the engine is warm.

1.11 Protecting from aggressive environmental conditions

NOTICE

Aggressive environmental conditions!

When using cranes under aggressive environmental conditions, for example at places with maritime climates and particularly salty air, hydraulic cylinders can corrode and thereby be destroyed or severely damaged.

Elaborate and expensive repairs.

If the crane is taken out of operation for an extended period of time:

- ▶ Take down the crane.
- ▶ Fully retract all crane hydraulic cylinders.

When hydraulic cylinders can **not** be retracted completely:

- ▶ Protect exposed areas of the piston rod from corrosion, for example with grease.
- ▶ Grease any exposed areas on the piston rods, for example on luffing cylinders and ballasting cylinders, especially carefully.

1.12 Use suitable operating fluids



WARNING

Operating fluids **not** suitable for ambient temperature!
Death, severe injuries, property damage.

- ▶ Match the operating fluids in time to the ambient temperatures.

1.13 Replacing damaged crane components



WARNING

Damaged crane components **not** replaced!
Death, severe injury, failure of components.

- ▶ Maintain crane components according to the data in the maintenance intervals, the maintenance guidelines and the chart for service items and lubricants.
- ▶ Replace damaged crane components immediately.

1.14 After replacement of components

Type of oil, see data tag and supplied „Service fill“.

The following instructions must be observed when replacing components such as engine, gear or axle:

**WARNING**

Maintenance of a replaced component **not** carried out!

- ▶ Before start up, be sure to refill with the correct type of oil to the center of the minimum / maximum mark.
- ▶ Carry out first maintenance. See chapter „Maintenance intervals“.
- ▶ Adhere to regular maintenance intervals.
- ▶ Follow the break-in guidelines. See Crane operating instructions, chapter 2.02.

2 Warranty and coverage

NOTICE

Maintenance intervals and maintenance guidelines **not** adhered to, impermissible lubricants used!
Damage, failure of crane components.

The warranty for the respective crane component is voided.

- ▶ Maintain crane components according to the data in the maintenance intervals, the maintenance guidelines and the chart for service items and lubricants.

NOTICE

Not using Original Liebherr spare parts and **not** using Original Liebherr Service items!

In the event that replacement parts are used that are **not** Original Liebherr replacement parts and **not** Original Liebherr service items and lubricants, Liebherr-Werk Ehingen GmbH disclaims all liability for system functionality as well as for the parts.

- ▶ Use exclusively Original Liebherr spare parts.

**Note**

- ▶ Original Liebherr replacement parts have been tested for crane operational use and may be used without risking safety.

The buyer is entitled to warranty or coverage only:

- when exclusively Original Liebherr spare parts are used.
- when Liebherr Service items and Liebherr lubricants are used for the Liebherr crane.

3 Liebherr Service

Liebherr mobile cranes, whether truck-mounted, mobile or crawler cranes - are technically advanced products, which prove their worth daily even under tough conditions.

The high technical standards of these cranes provide functional security, resistance to failure and ease of maintenance.

Liebherr is continuously developing the drive and control components. The combination of well proven units and modern manufacturing methods produces cranes that are safe to operate and easy to maintain.

Several hundred cranes are built every year for the international market, supported by international service.

Liebherr's „After Sales Service“ plays an important role at Liebherr in ensuring operational readiness and high crane availability.

With Liebherr, Service begins when the crane is handed over. Your crane operators will be professionally trained in line with their level of knowledge and we devote much time to this.

We also train your workshop staff in all crane-specific matters, because we know that they can deal with more than just minor repairs themselves. Often there are specialists who can quickly and reliably carry out crane repairs.

We have special service advisers available who will solve any problems you may have. This phone contact saves time and money. You should take advantage of it as soon as possible.

Our service technicians are specialists with years of experience, who can be deployed from local support points. Naturally these experts have specialized knowledge and special tools.

But before you call these specialists, it is worth making use of the facilities for getting advice mentioned above.

4 Oil and lubricant analysis

NOTICE

Oil analysis intervals and oil change intervals **not** adhered to!

Gear damage.

- ▶ Strictly adhere to the oil analysis and oil change intervals.
- ▶ If an earlier oil change is required due to oil analysis results: Change the oil.
- ▶ Carry out regular lubricant analysis for gear oils in travel gear, slewing gear and winch gears.
- ▶ Adhere to the maintenance intervals. See Crane operating instructions, chapter 7.02, 7.03 and chapter 7.03.50.

The following properties of the oil can be determined through oil analysis:

- Degree of wear of gear components
- Composition of mechanical abrasion in the oil
- Viscosity of the oil
- Degree of oil contamination
- Other relevant properties of the oil

Advantages of oil or lubricant analysis:

- Technical evaluation regarding further use of the gear or the oil
- The gear oil change intervals can be matched according to the operating conditions and the results of the oil analysis, without risk, effectively and economically.
- A just starting gear damage can be recognized in time and as a result, the correct time of gear replacement can be determined.
- Operating times or repairs can be planned more effectively.
- An earlier repair of gear components protects from larger and unforeseen damage.
- Subsequent damage can therefore be avoided to the greatest possible extent.

4.1 Taking an oil sample



WARNING

Tasks on components and operating fluids at operating temperature!

Burns.

- ▶ Carry out all tasks with utmost caution.
- ▶ Wear protective clothing.

Make sure that the following prerequisites are met:

- Gear was shut down immediately
- Oil has normal operating temperature
- ▶ Always take oil on the same location of the gear.
- ▶ Take oil always according to the same method.
- ▶ For gears with double slipping seal: Take oil additionally from the slipping sealing chamber.
- ▶ Do **not** take oil right after an oil change.
- ▶ Do **not** take oil immediately after larger amounts of oil have been added.



Note

Recommendation:

- ▶ Fill oil into original sample containers.

- ▶ Fill oil exclusively in a clean and dry sample container.

5 Cleaning

5.1 Exhaust system

NOTICE

Ingress of water, steam or cleaning substances into the SCR-module!

Sensors for exhaust aftertreatment can be destroyed, the coating of the SCR catalytic converter can be washed off.

- ▶ Before cleaning, let the SCR system cool off (surface temperature 50 °C).
 - ▶ Before cleaning, cover all openings.
 - ▶ Make sure that **no** fluids and **no** dirt gets into the tailpipe opening of the SCR module.
 - ▶ During cleaning, keep sufficient distance to the tailpipe opening.
-

5.2 Insulation (sound insulation)

NOTICE

Improper cleaning (tools or cleaning methods)!

Insulation can be destroyed or damaged.

- ▶ Remove severe contamination with suitable tools, for example with soft plastic scrapers.
 - ▶ Do **not** use tools with sharp edges.
 - ▶ Use steam cleaners **exclusively** with extreme caution and with a sufficient distance to the insulation and with low water pressure.
 - ▶ Do **not** use solvents for cleaning.
-



Note

- ▶ Sound insulation may **not** be removed!
-

Sound insulation in the area of engines and other noise sources is an integral part of the total construction. Sound insulation limits the noise generation of vehicles and the sound level in the workplace to the legally specified values in connection with sound insulation and the design of the equipment. Sound insulation is therefore an integral part for the construction permits for the machines.

From a construction point of view, sound insulation has been designed to be maintenance-free. Sound insulation has been equipped with surfaces that repel dirt, oil and water. Sound insulation is very flame-resistant and in part, depending on application, is fireproof.

For these reasons, sound insulation requires no care. Any small dirt deposits can be disregarded, as the acoustic effectiveness of the parts is not reduced.

5.3 Slip-resistant mats

- ▶ Before every access: Check the slip-resistant mats for slip resistance and cleanliness.
- ▶ If dirty: Clean the slip-resistant mats with a brush with hard plastic bristles.
- ▶ For cleaning the surfaces, use commercially available cleaners.
- ▶ Flush with water.

5.4 Driver's cab and crane cab



Note

- ▶ The steering wheel, centre console, instrument panel cover, floor covering and dirty upholstery in the driver's cab and the crane cab should only be cleaned with warm water mixed with dishwashing detergent!
 - ▶ Do not use any scouring agents!
-

5.5 Ladders

- ▶ Remove any dirt on the ladders.
- ▶ Make sure that the grooves on the rungs are free of dirt.

6 Disposal

6.1 Service items and lubricants



WARNING

Operating items and lubricants are dangerous waste products!

- ▶ Dispose of operating fluids and lubricants separately.
- ▶ Service items and lubricants may **not** be disposed of in the ground, bodies of waters, wastewater systems, sewers or in the groundwater.
- ▶ Dispose of operating items and lubricants in an environmentally safe manner.
- ▶ When disposing operating items and lubricants observe and follow the valid regulations of the relevant authorities.

Service items and lubricants are:

- Fuels
- Coolant
- Urea
- Engine oils, gear oils
- Hydraulic fluids
- Brake fluids
- Window washer concentrate
- Greases

6.2 Batteries



WARNING

Batteries contain harmful substances!

- ▶ Do **not** dispose of batteries in regular household trash.
- ▶ Collect batteries separately and send them for environmentally safe disposal.
- ▶ Leave batteries at a qualified workshop or at a collection points for used batteries.

Empty page!

LWE/LR 11350-005/19004-04-02/en

Fig.195219

LWE/LR 11350-005/19004-04-02/en

1 Maintenance and inspection schedule



Note

- ▶ Carry out maintenance work after reaching the specified operating hours or calendar intervals. The interval which occurs first is the deciding factor!
- ▶ The maintenance intervals complement each other. If a higher interval is coming up, then carry out the work according to the lower interval also!
- ▶ For the operating hour intervals, the hour meter of the crawler travel gear is the determining factor!
- ▶ The operating hour meter „crawler travel gear“* is located in the control cabinet!

First maintenance after	Operating hour intervals			Calendar intervals			Work to be carried out
	10 h	100 h	1000 h	Daily	Weekly	Annually	
Safety systems							
						X	Personal protective equipment Follow the instructions of the manufacturer
						X	Height rescue system Follow the instructions of the manufacturer
Fall protection equipment							
						X	Check protection points
						X	Check safety ropes
						X	Check the ladders for technically immaculate condition
						X	Check railings, steps and pedestals for safe function
						X	Check catwalks and open mesh flooring for safe function
Crane surface							
					X		Check accessible surfaces for cleanliness
						X	Check accessible surfaces for completeness and slip resistance
						X	Check labels for completeness and legibility
Rigging and fastening points							
				X ²⁾			Check condition and mounting
						X	Check for continued suitability by expert
Travel gear							
		X					Check for leaks
	X						Grease the sprocket bearing if it is not lubricated via the central lubrication system
		X					Check the mounting screws for tight seating
		500 h					Check the gear oil via oil analysis
200 h			1000 h			Every 4 years	Replace the gear oil

First maintenance after	Operating hour intervals			Calendar intervals			Work to be carried out
	10 h	100 h	1000 h	Daily	Weekly	Annually	
Crawler carrier							
		X					Check track rollers, carrier rollers with oil lubrication for leaks
	X						Grease the track rollers, carrier rollers if it is not lubricated via the central lubrication system
	X				Every 4 weeks		Check the wear on the roll off surfaces of the track rollers / carrier rollers, replace the track rollers / carrier rollers if necessary
						X	Grease guide rails on sliding section
						X	Lubricate the consoles
					Every 4 weeks		Lubricate the connector pins between crawler carrier and crawler center section or crawler carrier and cross carriers
Track chain							
		X					Check the retention of the connector pins
		X					Check for damage
	X				Every 4 weeks		Check the chain tension, retension the track chain if necessary
	X						Check the wear on the bores of the track pads, replace track pads if necessary
	X						Check the wear on the connector pins of the track pads, replace pins if necessary
	X				Every 4 weeks		Check the wear on the roll off surfaces of the track pads / track rollers, replace track pads if necessary
Assembly support							
					X		Check the hydraulic cylinder for leaks
						X	Check support beam for ease of movement, grease
						X	Lubricate the bearing points of the support beams
						X	Check sight gauge, adjust if necessary
Crane support							
					X		Check the hydraulic cylinder for leaks
						X	Check support beams for ease of movement, grease
						X	Lubricate the struts
						X	Lubricate the mounting pins on the struts
						X	Lubricate the support pad bearing

First maintenance after	Operating hour intervals			Calendar intervals			Work to be carried out
	10 h	100 h	1000 h	Daily	Weekly	Annually	
Rotary connection							
			X				Lubricate
Hydraulic cylinder							
					X		Check for leaks
Hydraulic hose lines							
				X			Check for leaks and damage
						X	Have safe working condition checked by expert
Central lubrication system							
				X			Check grease supply of central lubrication system. Fill the reservoir if the grease supply has dropped below 1/4 of the reservoir content.
		X					Check for correct function

²⁾ before every operation: check visually

Fig.195219

LWE/LR 11350-005/19004-04-02/en

1 Maintenance and inspection schedule



Note

- ▶ Carry out maintenance work after reaching the specified operating hours or calendar intervals. The interval which occurs first is the deciding factor!
- ▶ The maintenance intervals complement each other. If a higher interval is coming up, then carry out the work according to the lower interval also!

First maintenance after	Operating hour intervals			Calendar intervals			Work to be carried out
	10 h	100 h	1000 h	Daily	Weekly	Annually	
Fall protection equipment							
						X	Check protection points
						X	Check safety ropes
						X	Check the ladders for technically immaculate condition
						X	Check railings, steps and pedestals for safe function
						X	Check catwalks and open mesh flooring for safe function
Ballast trailer surface							
					X		Check accessible surfaces for cleanliness
						X	Check accessible surfaces for completeness and slip resistance
						X	Check labels for completeness and legibility
Rigging and fastening points							
				X ²⁾			Check condition and mounting
						X	Check for continued suitability by expert
Tires							
					X		Check for external damage and distortion
					X		Check the tire pressure
	X						Check lug nuts for tight seating, retighten if necessary
						Every 5 years	Replace tires; have further service life confirmed by a tire manufacturer expert
Axle link							
						X	Lubricate
Hydraulic cylinder							
					X		Check for leaks
Hydraulic hose lines							
				X			Check for leaks and damage

First maintenance after	Operating hour intervals			Calendar intervals			Work to be carried out
	10 h	100 h	1000 h	Daily	Weekly	Annually	
						X	Have safe working condition checked by expert
Travel drive							
						X	Check the mounting screws for tight seating
					X		Check for leaks
						X	Check the oil level
						Every 5 years	Check gear oil via oil analysis, replace as necessary
Slewing gear							
						X	Check the mounting screws for tight seating
					X		Check for leaks
						X	Check the oil level
						Every 5 years	Check gear oil via oil analysis, replace as necessary
Central lubrication system							
				X			Check grease supply of central lubrication system. Fill the reservoir if the grease supply has dropped below 1/4 of the reservoir content.
						X	Check for correct function
Emergency control							
						X	Check for correct function

²⁾ before every operation: check visually

Empty page!

LWE/LR 11350-005/19004-04-02/en

Fig.195219

LWE/LR 11350-005/19004-04-02/en

1 Maintenance and inspection schedule



Note

- ▶ Carry out maintenance work after reaching the specified operating hours or calendar intervals. The interval which occurs first is the deciding factor!
- ▶ The maintenance intervals complement each other. If a higher interval is coming up, then carry out the work according to the lower interval also!

First maintenance after	Operating hour intervals			Calendar intervals			Work to be carried out
	250 h	500 h	1500 h	Daily	Weekly	Annually	
Safety systems							
						X	Personal protective equipment Follow the instructions of the manufacturer
						X	Height rescue system Follow the instructions of the manufacturer
Fall protection equipment							
						X	Check protection points
						X	Check safety ropes
						X	Check the ladders for technically immaculate condition
						X	Check railings, steps and pedestals for safe function
						X	Check catwalks and open mesh flooring for safe function
Crane surface							
					X		Check accessible surfaces for cleanliness
						X	Check accessible surfaces for completeness and slip resistance
						X	Check labels for completeness and legibility
Rigging and fastening points							
				X ²⁾			Check condition and mounting
						X	Check for continued suitability by expert
Fire extinguishing system							
						X	Carry out a visual inspection of the system For all other maintenance tasks, observe the instructions of the fire extinguisher manufacturer.
						Every 5 years	Replace trigger elements and extinguisher tank.
Diesel engine							
				X			Check the oil level

First maintenance after	Operating hour intervals			Calendar intervals			Work to be carried out
	250 h	500 h	1500 h	Daily	Weekly	Annually	
							For all other maintenance tasks, observe the instructions of the engine manufacturer
Cooling system							
				X			Check the coolant level in the expansion tank
			6000 h			Every 4 years	Replace the coolant if filled with Liebherr Antifreeze OS Mix
			3000 h			Every 2 years	Replace the coolant
SCR Exhaust aftertreatment							
			4500 h			Every 2 years	Replace foam and filter element of urea pump
Engine independent heater							
				X			Check the fluid level in the expansion tank
					Monthly		Operate for 10 minutes with cold engine and lowest fan setting
						X	Carry out service work before and after every heating period
						Every 2 years	Replace the fluid for the heating system
Air filter							
					X		Check monitoring device
						X	Clean, change the filter insert Observe the instructions of the engine manufacturer
Slewing ring connection							
	X						Lubricate the gears
						X ¹⁾	Lubricating the slewing ring connection
250 h			X			X	Check the mounting screws for tight seating
						X	Check the tilt play
Winches							
250 h						X	Check the mounting screws for tight seating
				X			Check for leaks
					X		Check the oil level
			X			X	Check the gear oil via oil analysis
250 h			3000 h			Every 4 years	Replace the gear oil
			X			X	Lubricate the space between V-ring / winch bearing (only LR 11000)

First maintenance after	Operating hour intervals			Calendar intervals			Work to be carried out
	250 h	500 h	1500 h	Daily	Weekly	Annually	
			200 h			X	Check the condition of the tooth flanks; determining factor are the operating hours of the winch (only for winches with gear ring drive)
						X	Check the remaining theoretical utilization life by a technical expert
						Every 4 years	Check the remaining theoretical utilization life by authorized specialist
Winch brakes							
				X			Check for leaks
						X	Check for correct function
Relapse supports							
		X				X	Lubricate the bearings
X ^{2), 6)}							Check the oscillation guard for easy movement
Relapse cylinder							
X ^{2), 6)}					X		Check for leaks
X ^{2), 6)}		X				X	Check pretension pressure (nitrogen)
X ^{2), 6)}		X				X	Check the oil quantity
Pneumatic springs							
X ^{2), 5), 6)}		X				X	Check for correct function
A-bracket							
		X					Lubricate the bearing
X ^{2), 6)}						X	Check the lever for the limit switch on the A-frame 3 for easy movement and reset of spring
X ^{2), 6)}						X	Check the rods with guide rail on the A-frame 2 and A-frame 3 for easy movement and distortion
Counterweight							
1,000 km		or 10,000 km				X	Check tightening torque of mounting screws
Concrete ballast plates (ballast container) (only LR 13000)							
				X			Check for damage
						Every 5 years	Check by licensing agency
Ballasting							
	X					X	Lubricate the bearings
						X	Check the swing play (only LTM 11200-9.1)

First maintenance after	Operating hour intervals			Calendar intervals			Work to be carried out
	250 h	500 h	1500 h	Daily	Weekly	Annually	
Press on pulleys of rope winches							
	X					X	Grease guides
Rope pulleys							
			X			X	Check for wear, damage, cracks and easy movement
			X			X	Grease
Crane cab							
				X			Check instruments for function
				X			Check indicator lights for function
						X	Replace the filter insert for switch cabinet ventilation
						X	Replace filter insert in water heater
				X			Check fluid level in expansion tank of engine control
		X				X	Check the sliding or incline device for function
		X				X	Lubricate the bearings of the sliding or incline device
		X				X ⁷⁾	Check the lift device (telescope arm) for function
		X				X ⁷⁾	Lubricate the bearings of the lift device and telescope arm
Window washer system, camera washer system							
				X			Check the fluid level in the reservoir for the washer system
Overload protection							
				X			Check for correct function
		X				X	Check length sensor for function
		X				X	Check length sensor rope for damage
Remote diagnostics device							
						X	Check for correct function
						X	Check the validity of the SIM card
Electrical system							
						X	Cable connections
					Every 6 months ³⁾		Service the batteries
					Every 6 months ³⁾		Empty the acid container

First maintenance after	Operating hour intervals			Calendar intervals			Work to be carried out
	250 h	500 h	1500 h	Daily	Weekly	Annually	
						X ⁵⁾	Replace the interior compartment filter of the switch cabinet ventilation
Fuel system							
				X			Check for leaks
						X	Check condition and mounting
						X	Drain off water and sediments
						X	Clean preliminary filter for auxiliary fuel pump
	Every 50 h						Check fuel preliminary filter, drain off water if necessary
		Every 1000 h					Replace preliminary fuel filter
Slewing gear							
250 h						X	Check the mounting screws for tight seating
				X			Check for leaks
					X		Check the oil level
			X			X	Check the gear oil via oil analysis
250 h			3000 h			Every 4 years	Replace the gear oil
Slewing gear brakes							
				X			Check for leaks
						X	Check for correct function
Turntable lock							
		X				X	Grease
		X				X	Check for correct function
Bearings							
						X	Checking the retaining elements
Pump distributor gear							
				X			Check for leaks
					X		Check the oil level
500 h			X			X	Replace the gear oil
Hydraulic hose lines							
				X			Check for leaks and damage
						X	Check for safe condition by expert
Hydraulic system							
				X			Check the oil level
					X		Check for leaks

First maintenance after	Operating hour intervals			Calendar intervals			Work to be carried out
	250 h	500 h	1500 h	Daily	Weekly	Annually	
250 h		X				X	Replace the servo pressure and replenishing pressure filter inserts
250 h		X				X	Replace return filter inserts (only for cranes with open hydraulic circuit)
250 h		X				X	Replace bleeder filter of hydraulic tank
500 h			X			X	Check hydraulic oil, required degree of purity: 20/18/15 Take oil sample and have it tested by oil supplier
Hydraulic cylinder							
					X		Check for leaks
Hydraulic pressure accumulator (nitrogen)							
		X ⁴⁾				X ⁴⁾	Check pretension pressures
Compressed air system							
					X		Check for leaks
					X		Check operating pressure
					X		Check shut off pressure
					X		Check operation of automatic drain valve
						X	Replace air drier granular cartridges
						X	Clean air drier preliminary filter
Central lubrication system							
		X					Check for correct function
					X		Check the grease container fill level
Emergency operation							
						X	Check for correct function
Suspended ballast							
						X	Check the fall protection equipment
						X	Check frame, suspension and guide section for distortion and cracks

¹⁾ if the crane is not moved: Every 3 months

²⁾ before every operation: Check visually

³⁾ in hot climate zones: Every 3 months

⁴⁾ observe maintenance instructions for Crane superstructure, chapter 7.05

⁵⁾ and as necessary

⁶⁾ and during assembly

⁷⁾ in Great Britain: Every 6 months

Empty page!

LWE/LR 11350-005/190004-04-02/en

Fig.195219

LWE/LR 11350-005/19004-04-02/en

1 Maintenance and inspection schedule



Note

- ▶ Carry out maintenance work after reaching the specified operating hours or calendar intervals. The interval which occurs first is the deciding factor!
- ▶ The maintenance intervals complement each other. If a higher interval is coming up, then carry out the work according to the lower interval also!

First maintenance after	Operating hour intervals			Calendar intervals			Work to be carried out
	250 h	500 h	1500 h	Daily	Weekly	Annually	
Safety systems							
						X	Personal protective equipment Follow the instructions of the manufacturer
						X	Height rescue system Follow the instructions of the manufacturer
Fall protection equipment							
						X	Check protection points
						X	Check safety ropes
						X	Check the ladders for technically immaculate condition
						X	Check railings, steps and pedestals for safe function
						X	Check catwalks and open mesh flooring for safe function
Surface of crane boom							
					X		Check accessible surfaces for cleanliness
						X	Check accessible surfaces for completeness and slip resistance
						X	Check labels for completeness and legibility
Rigging and fastening points							
				X ²⁾			Check condition and mounting
						X	Check for continued suitability by expert
Lattice sections							
						X	Check cracks, damage and distortion
						X	Check protection points
						X	Check safety ropes
						X	Check railings and pedestals for safe function
						X	Check catwalks and open mesh flooring for safe function
Guy rods							

First maintenance after	Operating hour intervals			Calendar intervals			Work to be carried out
	250 h	500 h	1500 h	Daily	Weekly	Annually	
						X	Check for cracks, damage and distortion by a technical expert
						Every 4 years	Check for cracks, damage and distortion by an authorized inspector
						X	Checking the retaining elements
						X	Check labels for completeness and legibility
Fiber guy ropes							
					Every 3 months ⁷⁾		Check braid and intermediate layers for damage and distortion
					Every 3 months ⁷⁾		Check rope end connections for cracks, damage and distortion
					Every 3 months ⁷⁾		Check rope grommet transitions for damage and distortion
Relapse supports							
		X				X	Lubricate the bearings
X ^{2), 6)}							Check the oscillation guard for easy movement
Relapse cylinder							
X ^{2), 6)}					X		Check for leaks
X ^{2), 6)}		X				X	Check pretension pressure (nitrogen)
X ^{2), 6)}		X				X	Check the oil quantity
Hydraulic hose lines							
				X			Check for leaks and damage
						X	Check for safe condition by expert
Hydraulic cylinder							
					X		Check for leaks
Hydraulic pressure accumulator (nitrogen)							
		X ⁴⁾				X ⁴⁾	Check pretension pressures
Rope pulleys							
			X			X	Check for wear, damage, cracks and easy movement
			X			X	Grease
Lattice mast boom system							
X ⁶⁾						X	Grease the lube points of lattice sections
Auxiliary guying							

First maintenance after	Operating hour intervals			Calendar intervals			Work to be carried out
	250 h	500 h	1500 h	Daily	Weekly	Annually	
						X ⁶⁾	Check the rope connection between the guy point and the lattice section
						X ⁶⁾	Check cracks, damage and distortion
Crane ropes							
				X			Check for damage and distortion
					Monthly		Check, grease by expert personnel
						X	Check by technical expert
						Every 4 years	Check by authorized inspector
Hook blocks							
			X			X	Lubricate hooks and rope pulleys
			X			X	Check rope pulleys for distortion, wear, damage and cracks
					Every 6 months		Replace batteries on incline sensor
						X	Check distance dimension (y)
						X	Check for distortion, wear, damage and cracks by expert
						Every 4 years	Check for distortion, wear, damage and cracks by authorized inspector

²⁾ before every operation: check visually

⁴⁾ observe maintenance instructions for Crane superstructure, chapter 7.05

⁶⁾ and during assembly

⁷⁾ by authorized and trained expert personnel with boom placed down and before every erection procedure

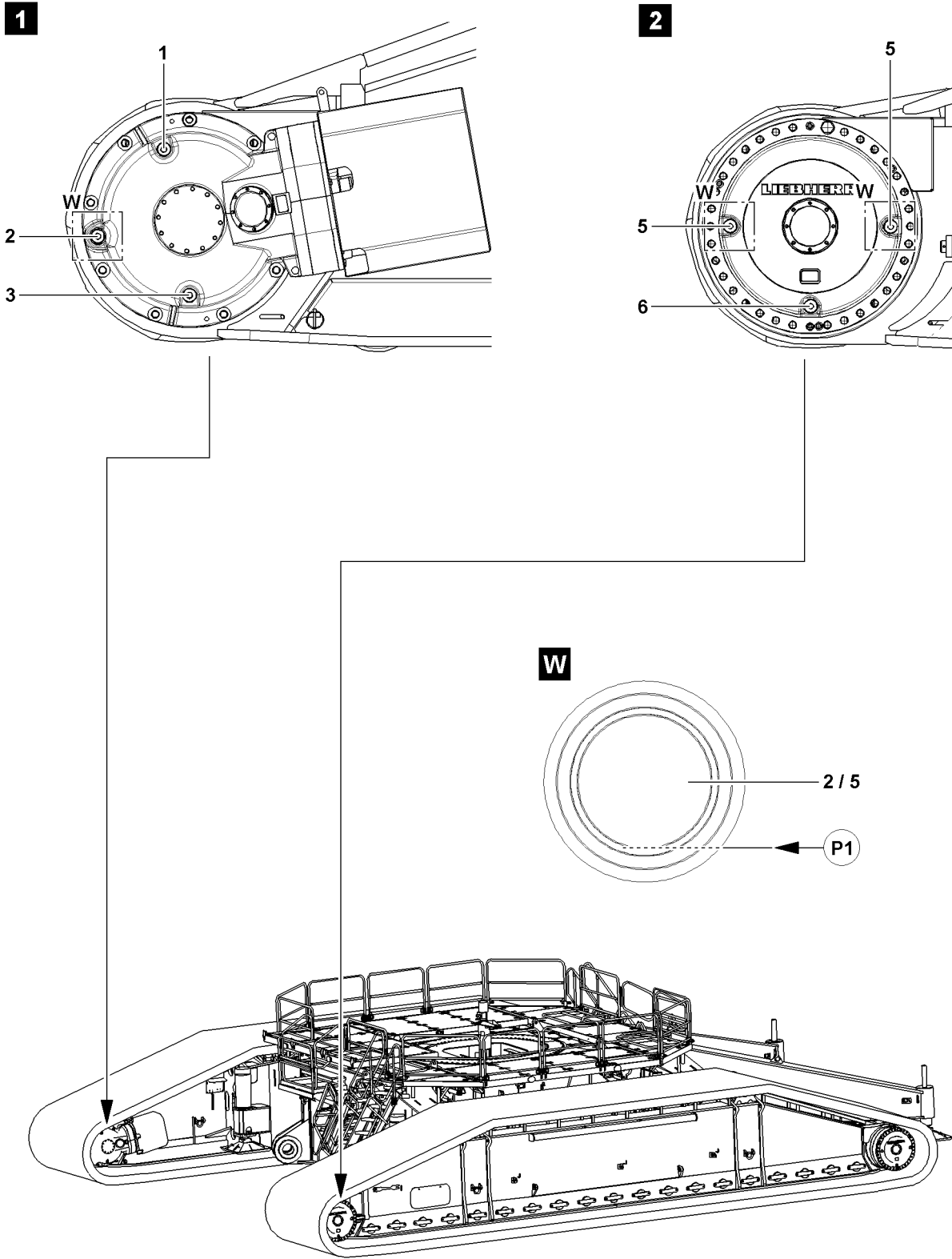


Fig.110052

LWE/LR 11350-005/19004-04-02/en

1 Servicing the travel gear



Note

- ▶ Use service items and lubricants according to the chart, see Crane operating instructions, chapter 7.07!
- ▶ Observe the maintenance intervals, see Crane operating instructions, chapter 7.02!

The travel gear consists of:

- Miter gear with brake, illustration 1
- Planetary gear, illustration 2



WARNING

Danger of burns during maintenance and inspection work!

Severe burns can result due to the travel gear and oils at operating temperatures!

- ▶ Avoid direct body contact to heated components and fluids!

NOTICE

Dirt in travel gear!

If any dirt gets into the inside of the travel gear, gear damage can occur!

- ▶ Make sure that no dirt gets into the inside of the travel gear during maintenance work!

The following maintenance openings are on the miter gear with brake, see illustration 1:

- 1 Oil filler plug, oil filler port
- 2 Oil level plug, oil level port
- 3 Oil drain plug, oil drain port

The following maintenance openings are on the planetary gear, see illustration 2:

- 5 Oil level plug, oil level port
- 6 Oil drain plug, oil drain port



Note

- ▶ No separate oil filler port is located on the planetary gear, the oil level port is used for this purpose!
- ▶ Oil level ports on planetary gears and miter gears can be constructed differently!
- ▶ The planetary gear and the miter gear have separate, different sized oil chambers! The oil levels in gears must be checked independently of each other!

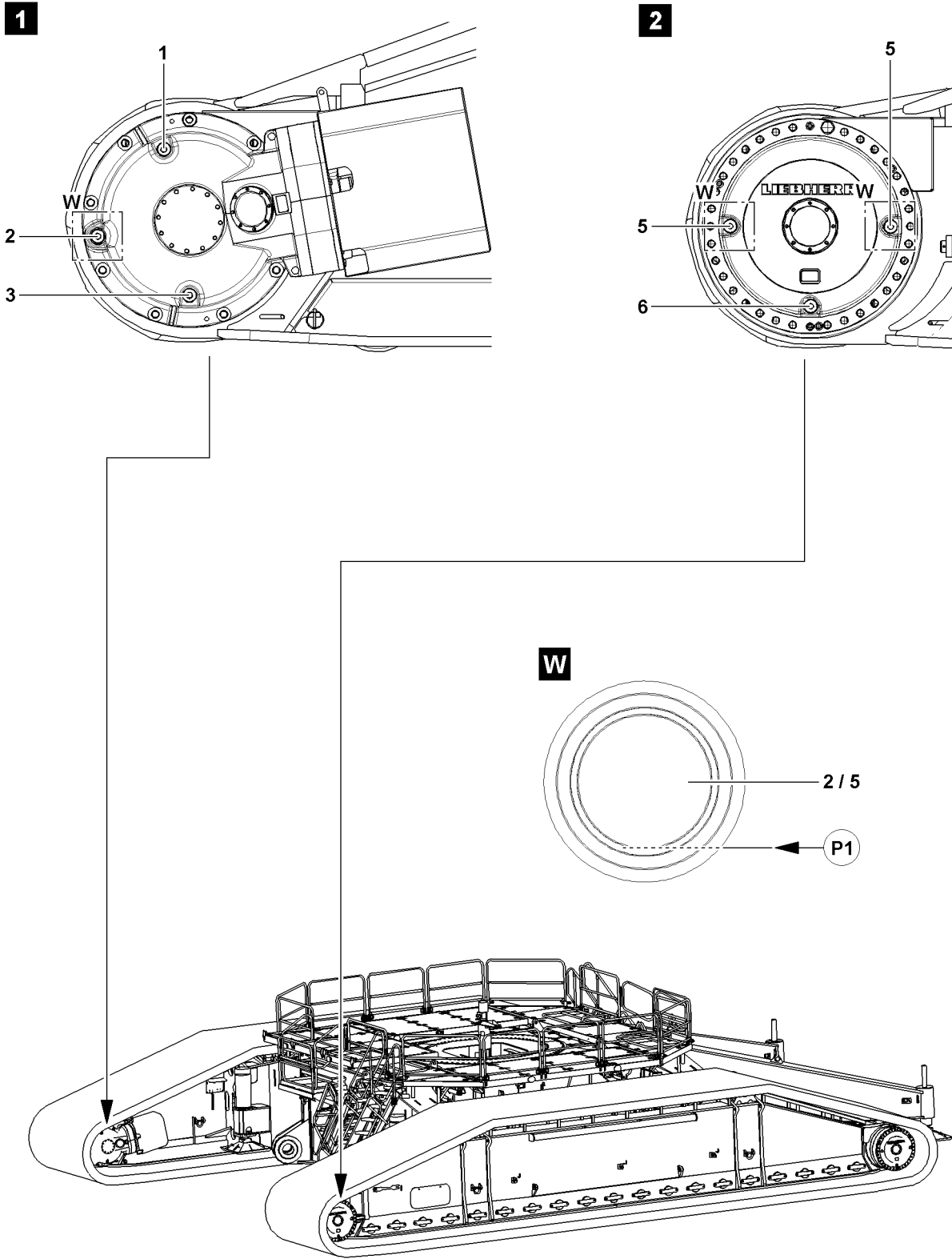


Fig.110052

LWE/LR 11350-005/19004-04-02/en

1.1 Checking for leaks

- ▶ Check visually to ensure that the travel gears do not leak.

1.2 Checking oil level

NOTICE

Damage to the travel gear!

If seals are used repeatedly, it can result in loss of oil!

Due to loss of oil, the travel gears can wear significantly and / or be damaged!

- ▶ Use the seals on the maintenance ports only once!
-

NOTICE

Varying oil level in planetary gear!

Depending on the position of the gears in the planetary gear, the oil level can vary slightly upward!

When opening the oil level plug, oil can emerge despite correct fill quantity!

- ▶ The fill height must be at least on the height of the point **P1**!
 - ▶ If any oil emerged during the check, replace the same amount!
-

Make sure that the following prerequisites are met:

- The crane is in horizontal position.
 - The travel gear is at a standstill.
-



Note

- ▶ To ensure a reliable oil level check, it must be ensured that the travel gears have been at a standstill for at least two minutes. This ensures that the oil has returned to the oil chamber completely!
-
- ▶ Open the oil level port carefully.
-

NOTICE

Insufficient oil fill quantity!

If the oil level drops below the fill level on point **P1**, the travel gears can be damaged!

- ▶ Add gear oil until the oil level is again on the fill level on point **P1**!
-

If gear oil must be added:

- ▶ Add oil on the oil filler port.
- ▶ If the oil level is on the fill level on point **P1**, then the oil level on the travel gear is OK.
- ▶ Close the maintenance ports tightly.

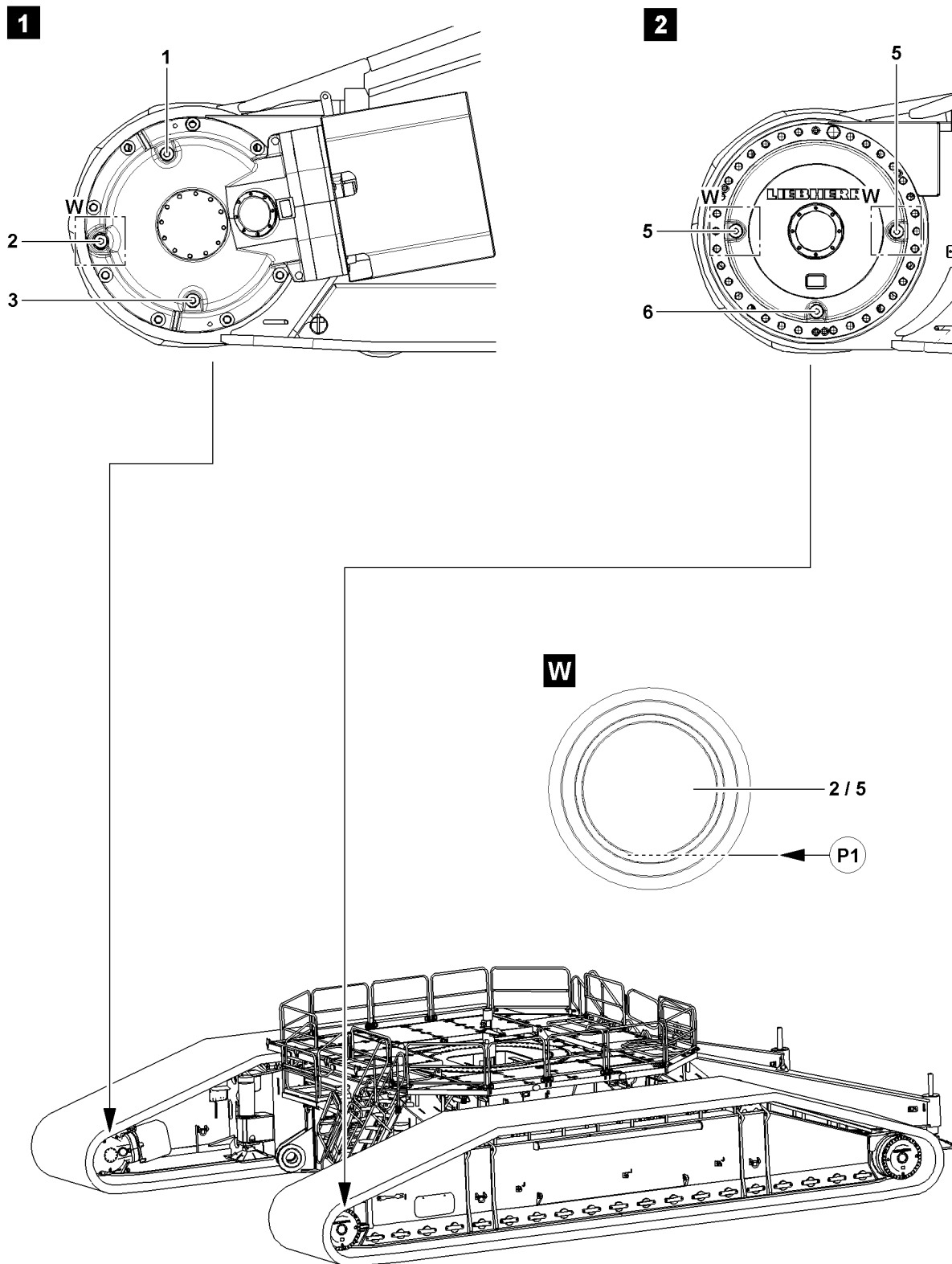


Fig.110052

LWE/LR 11350-005/19004-04-02/en

1.3 Changing the oil

NOTICE

Damage to the travel gear!

If seals are used repeatedly, it can result in loss of oil!

Due to loss of oil, the travel gears can wear significantly and / or be damaged!

▶ Use the seals on the maintenance ports only once!

1.3.1 Changing oil on the miter gear

Make sure that the following prerequisites are met:

- The crane is in horizontal position.
- The travel gear must be at a standstill.
- The travel gear is at operating temperature.
- A container to catch the used oil is available.



Note

- ▶ When selecting the container to catch the use oil, make sure that the container is sufficiently sized to be able to catch all the used oil!
 - ▶ For fill quantity of miter gear, see Crane operating instructions, chapter 7.06!
-

- ▶ Remove the oil filler plug **1**.
 - ▶ Remove the oil drain plug **3** and drain oil into a suitable container.
-



Note

- ▶ Allow the miter gear to empty completely!
-
- ▶ Clean the oil drain plug **3** and the sealing surface.
 - ▶ Close off the oil drain port **3** tightly.
 - ▶ Open the oil level port **2**.
 - ▶ Add oil on the oil filler port **1** until it „stands“ at the height of the fill level on point **P1** of the oil level port **2** or until it starts to run over.
 - ▶ Clean the sealing surfaces.
 - ▶ Close off the oil level port **2** tightly.
 - ▶ Close off the oil fill port **1** tightly.

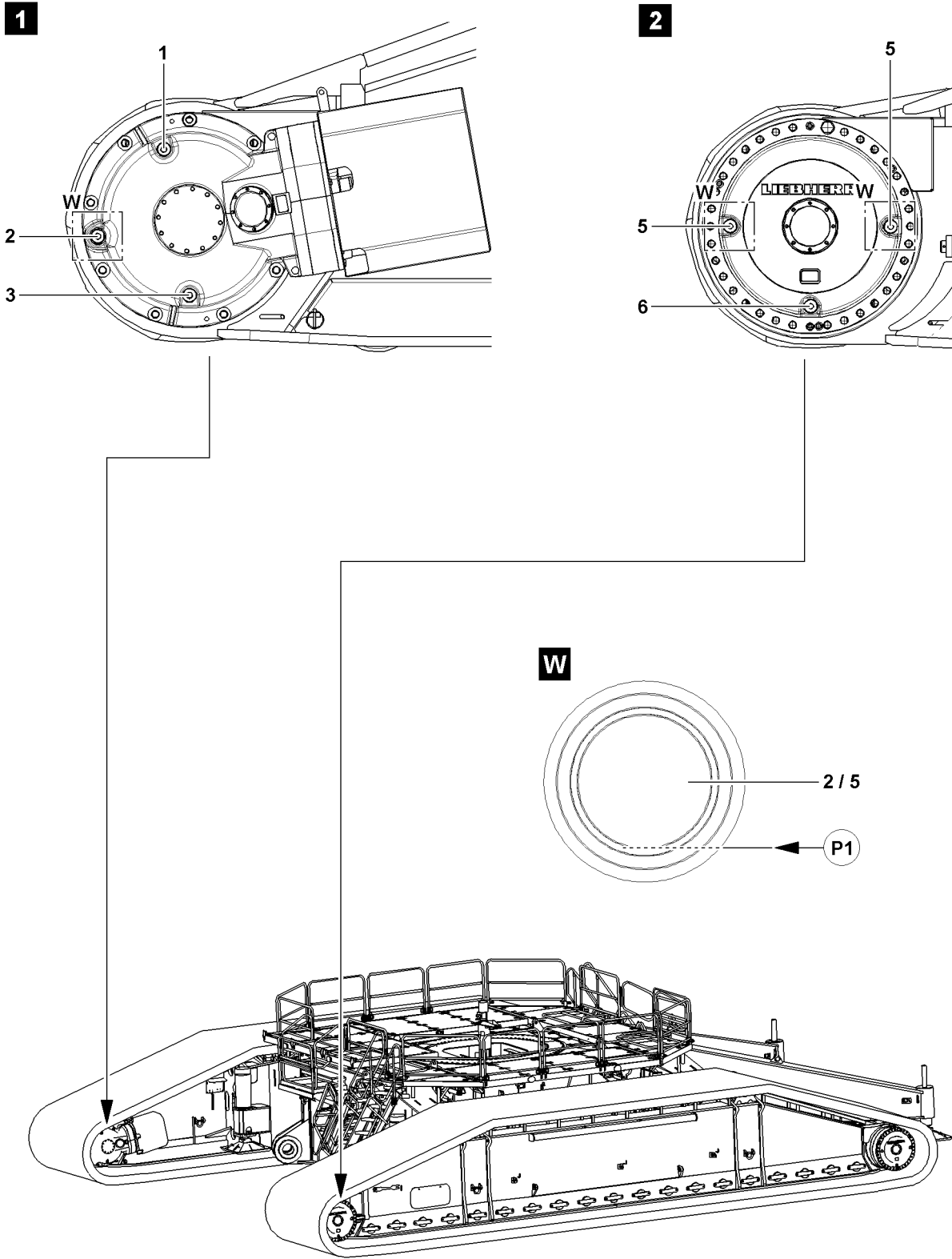


Fig.110052

LWE/LR 11350-005/19004-04-02/en

1.3.2 Changing oil on the planetary gear

Make sure that the following prerequisites are met:

- The crane is in horizontal position.
- The travel gear must be at a standstill.
- The travel gear is at operating temperature.
- A container to catch the used oil is available.

**Note**

- ▶ When selecting the container to catch the use oil, make sure that the container is sufficiently sized to be able to catch all the used oil!
- ▶ For fill quantity of planetary gear, see Crane operating instructions, chapter 7.06!

-
- ▶ Remove the oil level plugs **5**.
 - ▶ Remove the oil drain plug **6** and drain oil into a suitable container.

**Note**

- ▶ Allow the planetary gear to empty completely!
-
- ▶ Clean the oil drain plug **6** and the sealing surface.
 - ▶ Close off the oil drain port **6** tightly.
 - ▶ Add oil on the oil level port **5** until it „stands“ at the height of the fill level **P1** of the oil level ports **5** or until it starts to run over.
 - ▶ Clean the sealing surfaces.
 - ▶ Close off the oil level ports **5** tightly.

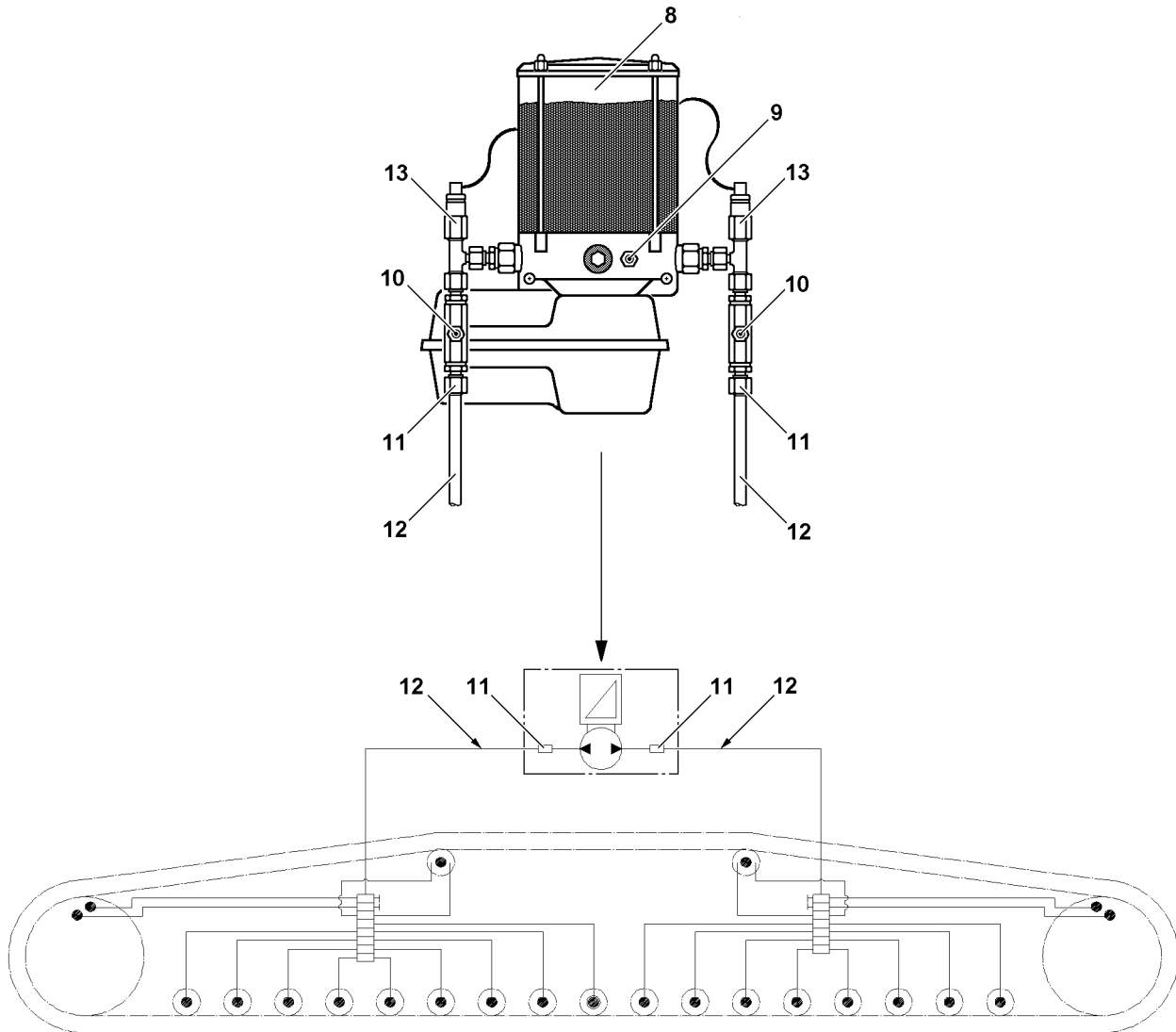


Fig.110102

LWE/LR 11350-005/19004-04-02/en

2 Servicing the central lubrication system of the crawler carrier



Note

- ▶ The illustrations in this chapter are examples and may not apply exactly to your crane!
- ▶ Use service items and lubricants according to the chart, see Crane operating instructions, chapter 7.07!
- ▶ Observe the maintenance intervals, see Crane operating instructions, chapter 7.02!

If the crane is driven via the crawler travel gear, then the central lubrication system for the crawler carrier turns on automatically and supplies all grease points with the correct amount of grease.

NOTICE

Insufficient lubrication!

The lubrication film is removed over time due to environmental influences!

Due to insufficient lubrication, the crawler carriers are exposed to significant wear and can be damaged!

- ▶ If the crawler carriers are not moved for a period of more than three months, then it must be lubricated every quarter, possibly with an external grease pump!



Note

- ▶ When putting the crane back into service after an extended downtime, check the central lubrication system for function!
- ▶ When working on the central lubrication system, observe utmost cleanliness!
- ▶ Every crawler carrier has a separate grease pump with several lubrication circuits!
- ▶ Every lubrication circuit has its own main line **12**!

On the grease pump, see illustration, there are the following maintenance relevant components:

- 8** Grease container
- 9** Grease fitting
 - Filling the grease container
- 10** Grease fitting
 - Filling the lube lines
- 11** Main line connection
- 12** Main line
- 13** Pressure relief valve

2.1 Filling the grease container

NOTICE

Insufficient lubrication!

In case of insufficient lubrication, the grease lubrication points can run dry!

This could result in high property damage!

- ▶ Fill the grease container **8** before it is completely empty!



Note

- ▶ Do not deplete the grease container **8**!
- ▶ If the grease container **8** is empty, the central lubrication system must be bled!
- ▶ Fill the grease container **8** using an external grease pump via the grease fitting **9**.

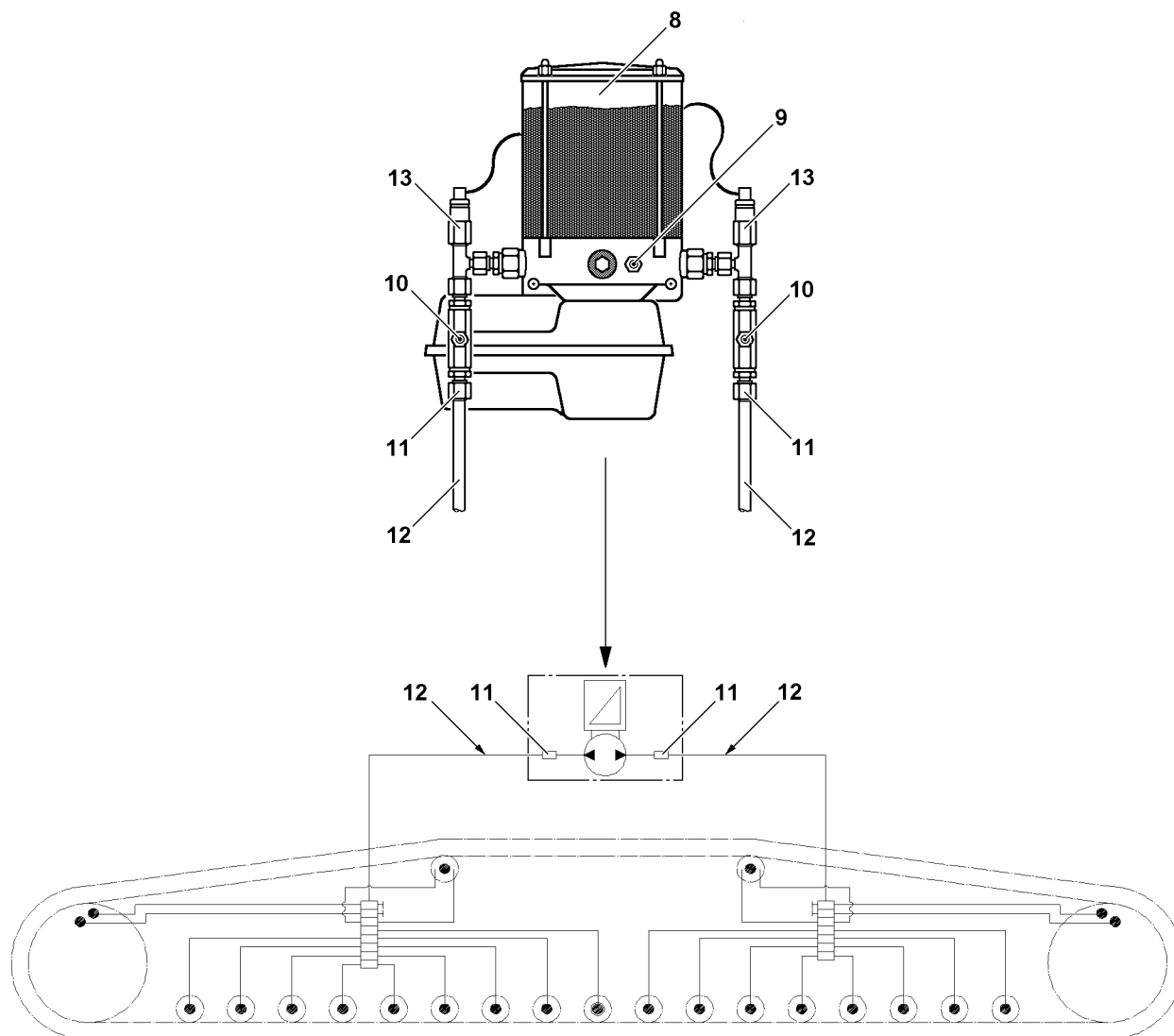


Fig.110102

2.2 Bleeding the central lubrication system

NOTICE

Insufficient lubrication!

If there is air in the grease pump, lubrication points can run dry!

- ▶ Bleed the central lubrication system carefully!

The central lubrication system of the crawler travel gear can be bled two ways:

- By actuation of the grease pump by simulating the crawler operation
- By separate actuation of the grease pump with the aid of the electric wiring plan

2.2.1 Bleeding by simulating crawler operation



WARNING

Crane can start to drive unintentionally!

If the foot rocker in the crane operator's cab or the manual control lever on the radio remote control console* is moved too far while bleeding the grease pump, then the track chain can start to move!

The crane can start to drive and catch personnel!

Personnel can be severely injured or killed!

- ▶ Actuate the foot rocker carefully while bleeding the grease pump!
- ▶ Watch the emergence of grease from the grease pump from a safe position!

- ▶ Fill the grease container **8** using an external grease pump via the grease fitting **9**.
- ▶ Fill the main lines **12** with an external grease pump via the grease fittings **10** until grease free of air bubbles emerges on all grease points.



Note

- ▶ Carry out the bleeding procedure individually for each main line connection **11**!
- ▶ Every crawler carrier has a separate grease pump!

- ▶ Unscrew the main line **12** from the main line connection **11**.
- ▶ Start the crane engine.
- ▶ Select crawler operation.
- ▶ Actuate the foot rocker / manual control lever of the crawler carrier of the grease pump which is being bled only so far that the track chain does not start to move.

Result:

- The grease pump starts to supply.
- The acoustic signal crawler operation sounds.
- ▶ Actuate the foot rocker / manual control lever only until grease free of air bubbles emerges on the main line connection **11**.
- ▶ Connect the main line **12** again.
- ▶ Actuate the foot rocker / manual control lever again until grease emerges again on at least one of the grease points in the bled lubrication circuit.

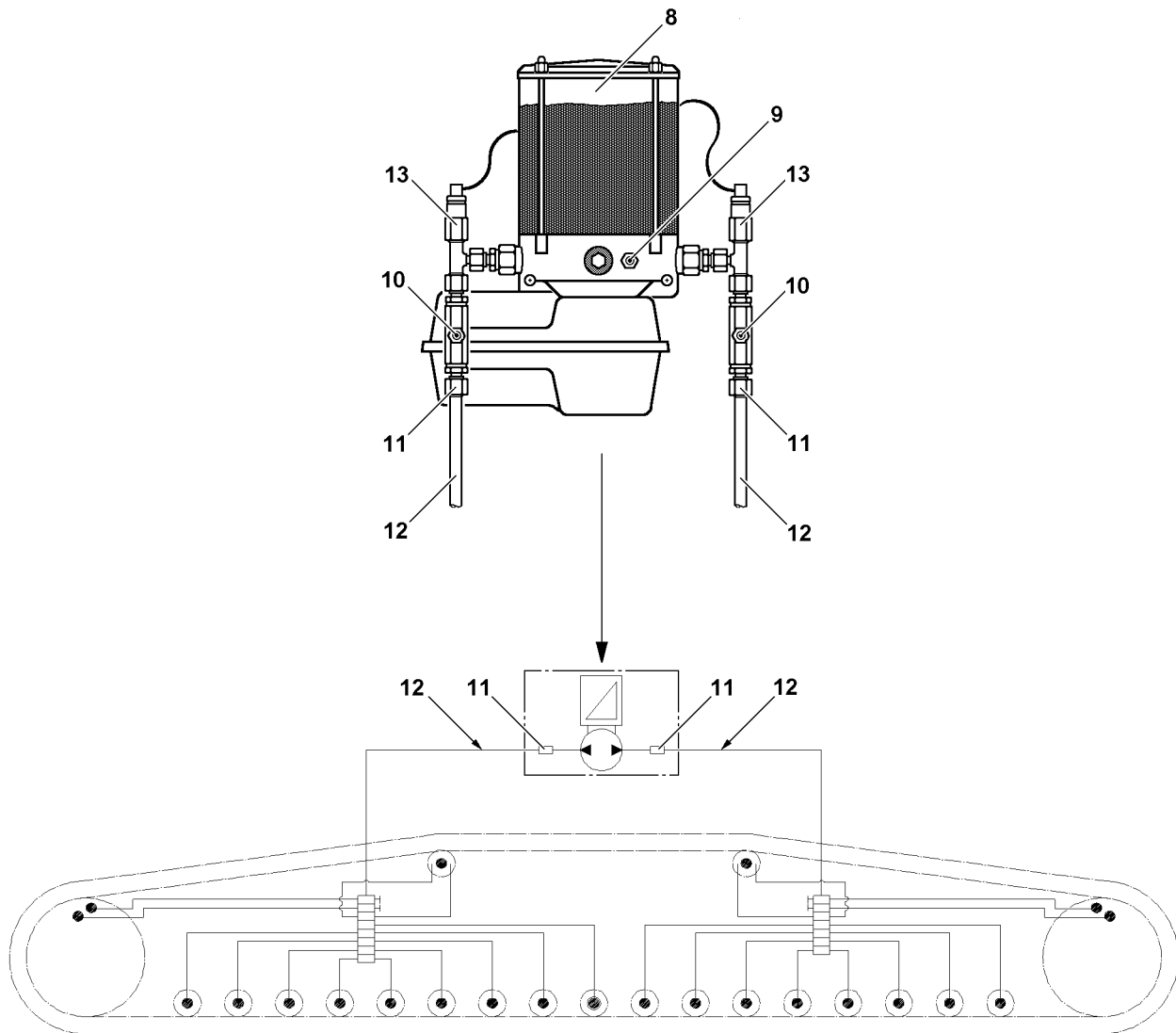


Fig.110102

2.2.2 Bleeding by separate actuation of the grease pump



Note

- ▶ Work on the electrical system of the crane may only be carried out by authorized and trained expert personnel!

Make sure that the following prerequisite is met:

- The separate electric wiring diagram of the crane is available.
- ▶ Fill the grease container **8** using an external grease pump via the grease fitting **9**.
- ▶ Fill the main lines **12** with an external grease pump via the grease fittings **10** until grease free of air bubbles emerges on all grease points.



Note

- ▶ The bleeding procedure must be carried out individually for each main line connection **11**!
- ▶ Every crawler carrier has a separate grease pump!

- ▶ Unscrew the main line **12** from the main line connection **11**.
- ▶ Actuate the grease pump separately, see crane electric wiring plan.

Result:

- The grease pump starts to supply.
- ▶ Actuate the grease pump until grease free of air bubbles emerges on the main line connection **11**.
- ▶ Connect the main line **12** again.
- ▶ Actuate the grease pump again until grease emerges again on at least one of the grease points in the bled lubrication circuit.

2.3 Bleeding repaired lubrication lines

NOTICE

Insufficient lubrication!

If there is air in the lube lines, lubrication points can run dry!

- ▶ If the lubrication lines are repaired or replaced, make sure that they are completely filled with grease!
- ▶ Fill lubrication lines completely with grease before installation.
- ▶ Check repaired lubrication lines for function and leaks.

2.4 Intermediate lubrication of crawler carriers

- ▶ Fill the main line **12** with an external grease pump via the grease fitting **10** until grease free of air bubbles emerges on all grease points.
or
Actuate the foot rocker / manual control lever in crawler operation until the grease pump starts to supply, but the track chain does not yet start to move. Continue actuation until grease emerges on all lube points.

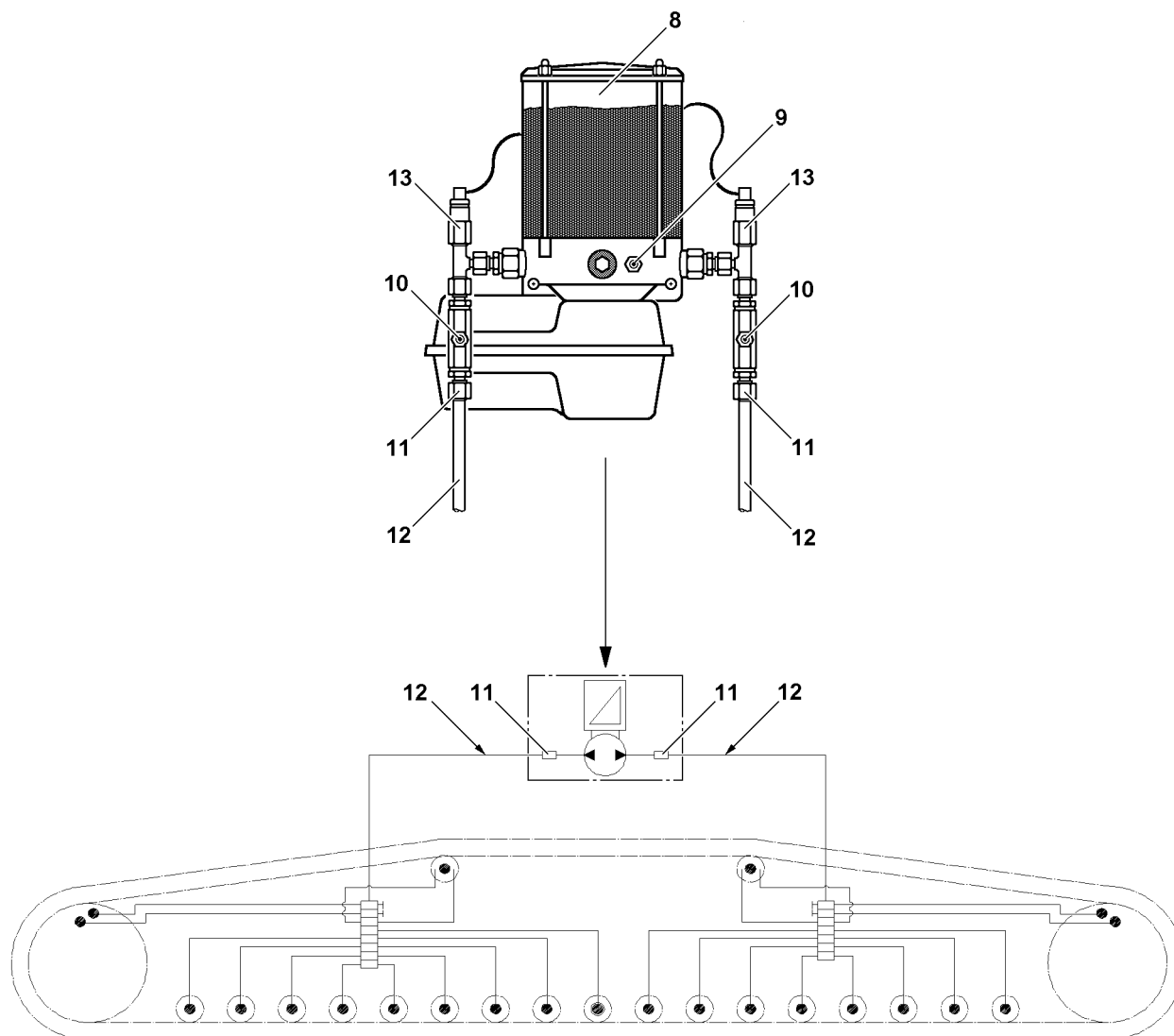


Fig.110102

2.5 Troubleshooting on the central lubrication system

Problem	Cause	Remedy
The grease pump does not work	Electrical line interrupted, grease pump defective	Fix or replace the electrical line, replace the grease pump
Grease pump operates, but does not deliver	Air cushion in delivery piston, minimum fill level fallen below, grease pump element defective	Bleed grease pump, fill reservoir, replace grease pump element
No grease collar on all lube points	Grease pump does not work, system blocked	See „Grease pump does not work“ or „Grease emerges via pressure relief valve“
No grease collar on several lube points	Supply lines to secondary distributors broken or leaking, screw connections leaking	Replace lines, tighten or replace screw connections
No grease collar on one lube point	Associated lube line broken or leaking, screw connection leaking	Replace line, tighten or replace screw fitting
Grease pump speed reduced	Higher system pressure, lower ambient temperature	Check system / bearing points, no damage: Lubricate once or twice in between if necessary ¹⁾
Grease emerges on pressure relief valve	System pressure too high, distributor blocked, system blocked, defective valve spring on pressure relief valve	Check system, replace distributor, repair blocked / seized bearing point, replace pressure relief valve

1) See section „Intermediate lubrication of crawler carriers“.

If a problem cannot be remedied, contact the Service Dept. at Liebherr-Werk Ehingen.

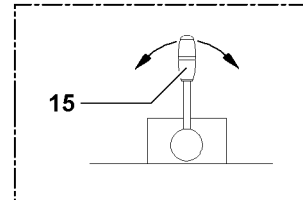
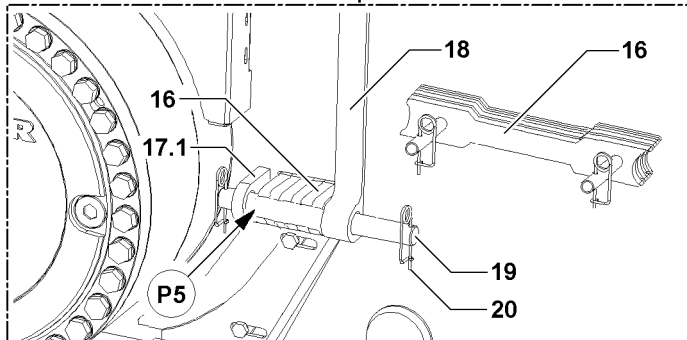
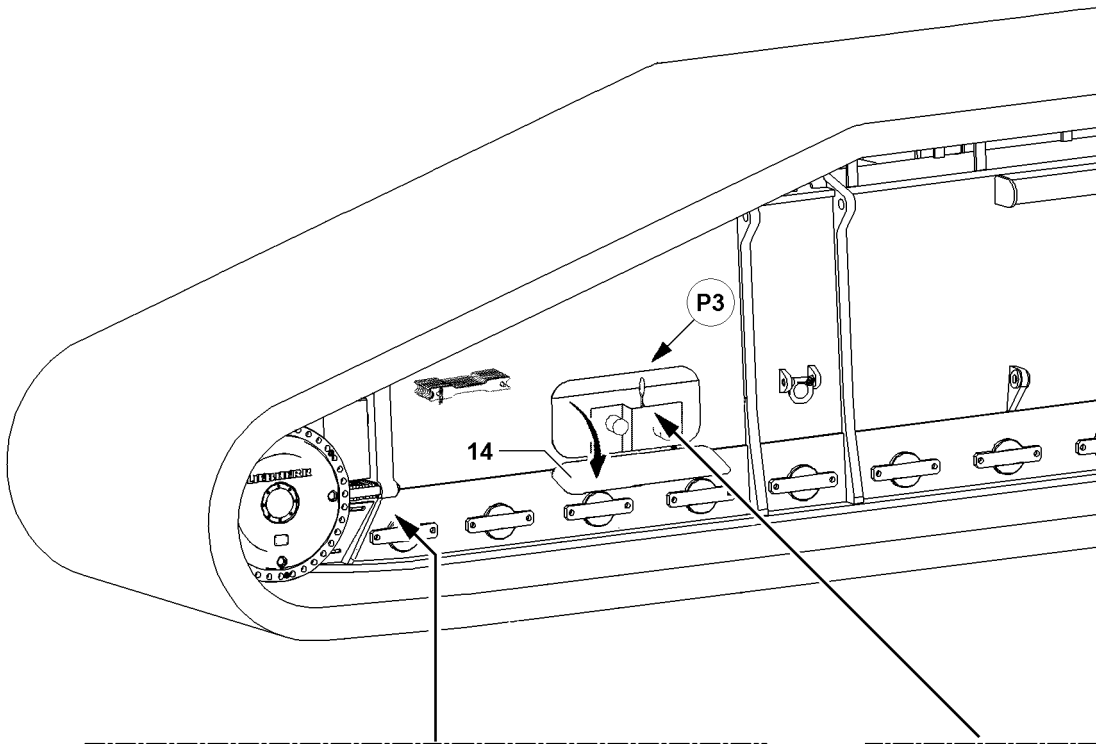
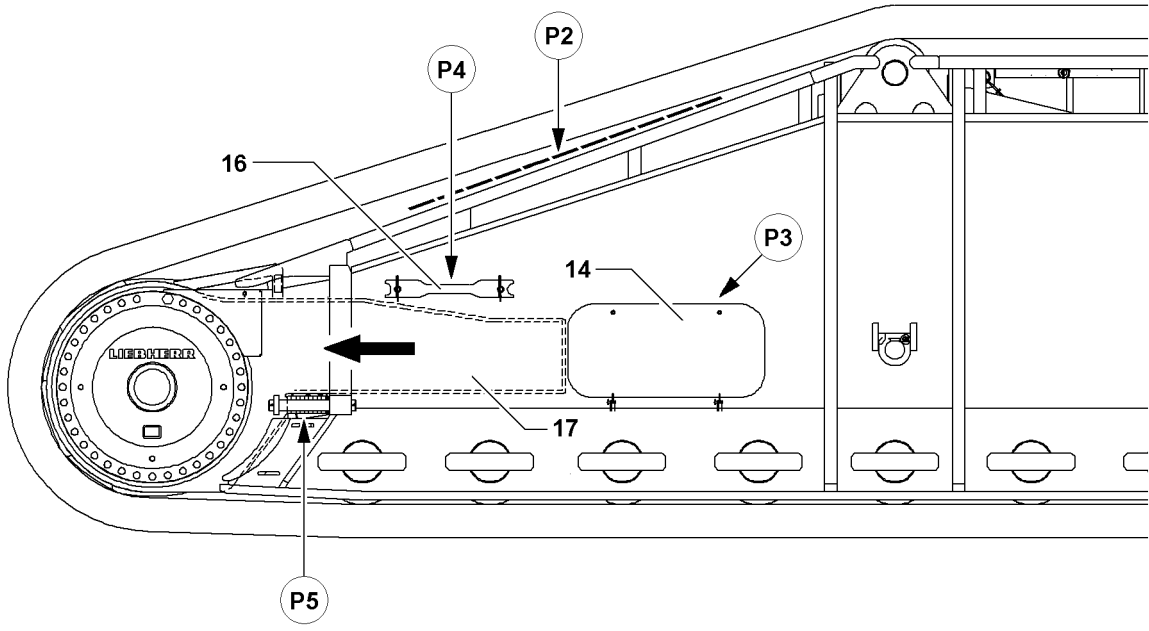


Fig.110054

LWE/LR 11350-005/19004-04-02/en

3 Servicing the track chain



Note

- ▶ The illustrations in this chapter are examples and may not apply exactly to your crane!

In crawler operation, the components of the track chain wear and must therefore be checked in specified intervals, see Crane operating instructions, chapter 7.02 and replaced with new components, if necessary.

3.1 Tensioning the track chain

NOTICE

Damage to the track chain!

If the chain tension is not checked within the specified maintenance intervals, the track chain or the steel structure of the crawler carrier can be damaged!

- ▶ Observe the maintenance intervals, see Crane operating instructions, chapter 7.02!
- ▶ If the track chain of the steel structure of the crawler carrier gets close to point **P2** or if it has already made contact with the steel structure, then the track chain must be retensioned **immediately!**



Note

- ▶ By extending the tension cylinder which is integrated in the crawler carrier, the sliding section **17** is moved in direction of the arrow!
- ▶ The chain tension is held by spacer plates **16!**

NOTICE

Foreign particles in track chains!

Foreign particles in the track chains and on the travel drive can cause damage!

- ▶ Before tensioning the track chains, check the track chains and the travel drives for foreign particles, such as rocks and clean them, if necessary!

Make sure that the following prerequisites are met:

- The crane is in horizontal position.
- The hydraulic aggregate is available.

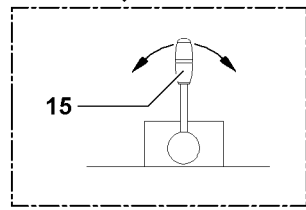
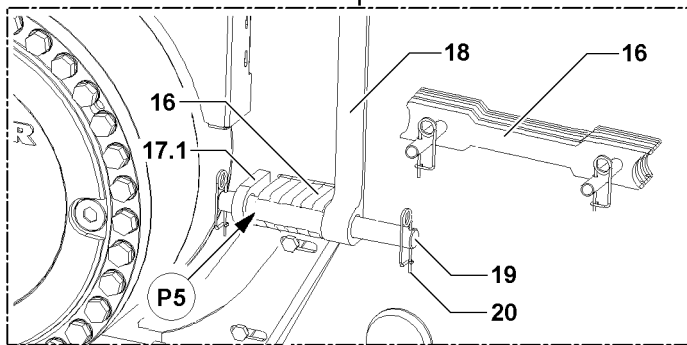
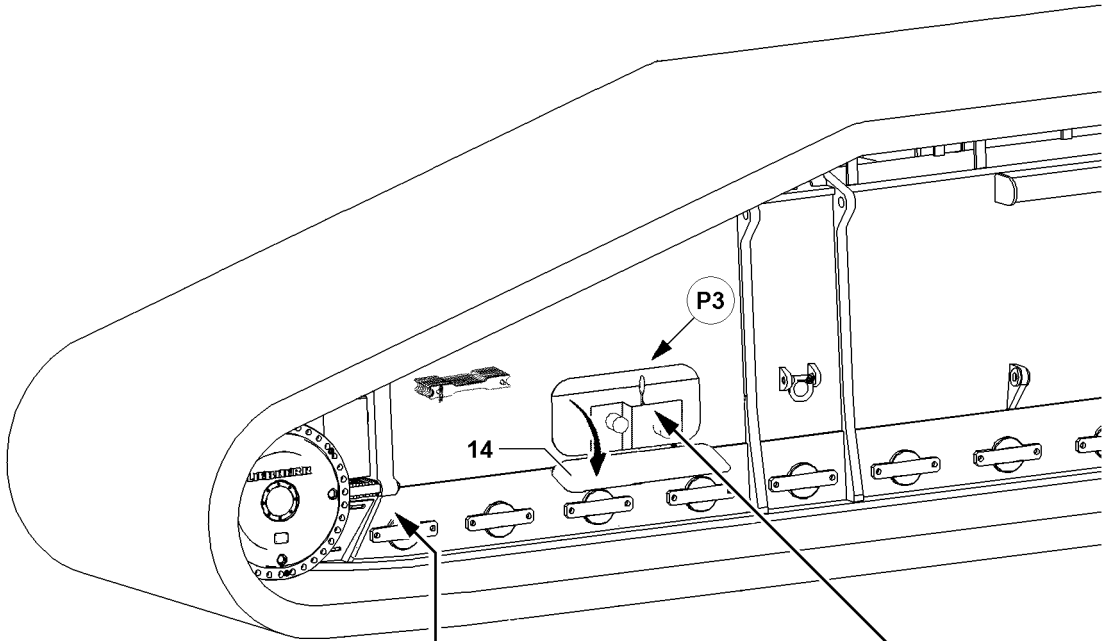
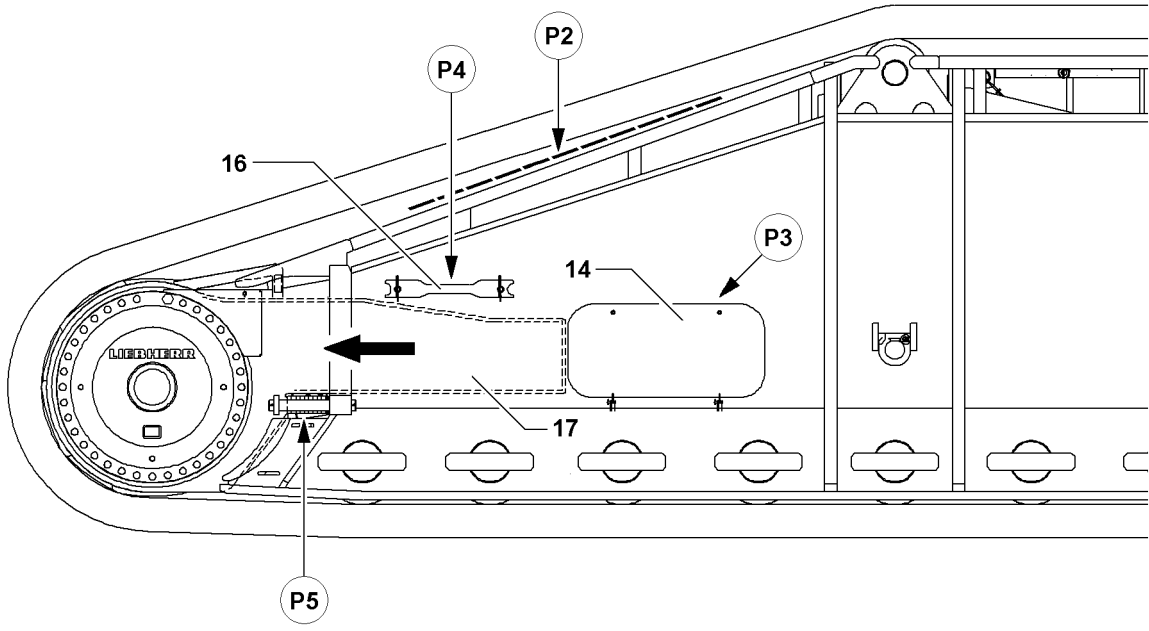


Fig.110054

LWE/LR 11350-005/19004-04-02/en

3.1.1 Hydraulic connection tension cylinder

When hydraulic lines are connected / disconnected using quick-release couplings, please ensure that the coupling procedure is being performed correctly.



WARNING

Pressure in the hydraulic lines!

If the pressure supply is not interrupted before connecting / releasing the hydraulic lines, the hydraulic oil can escape with high pressure!

Personnel can be severely injured or killed!

- ▶ Release the pressure in the hydraulic lines before connecting / disconnecting: Interrupt the pressure supply and wait for a short time!

**WARNING**

Loss of pressure or leakage!

Incorrectly coupled or self-loosening quick-release couplings (particularly return lines) can result in serious accidents due to component failure!

- ▶ Check that the quick-release couplings have been properly connected before starting the tension procedure!

Establishing the hydraulic connection

- ▶ Open the maintenance hatch **14** on point **P3**.
- ▶ Connect the quick-release coupling components (sleeve and connector) and screw together with the hand-tightened nut.
- ▶ Tighten quick-release couplings by hand: Rotate the hand-tightened nut until it reaches a tangible, fixed stop position.
- ▶ Add the pressure supply.

Disconnecting the hydraulic connection

When the tension procedure has been completed:

- ▶ Interrupt the pressure supply.
- ▶ Disconnect the coupling parts (sleeve and connector).
- ▶ Install dust caps on the quick-release couplings.
- ▶ Close the maintenance hatch on point **P3**.

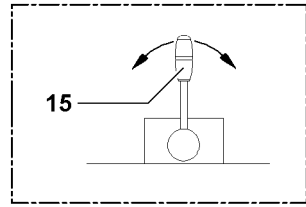
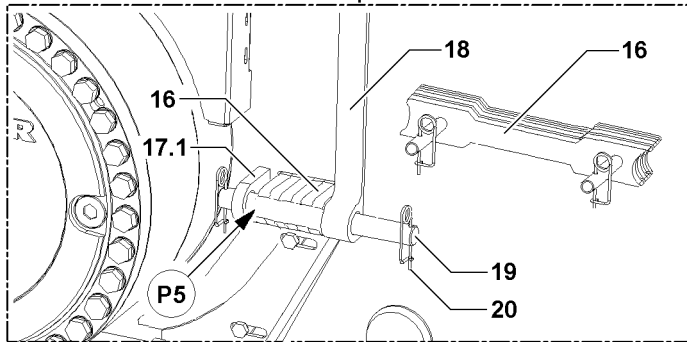
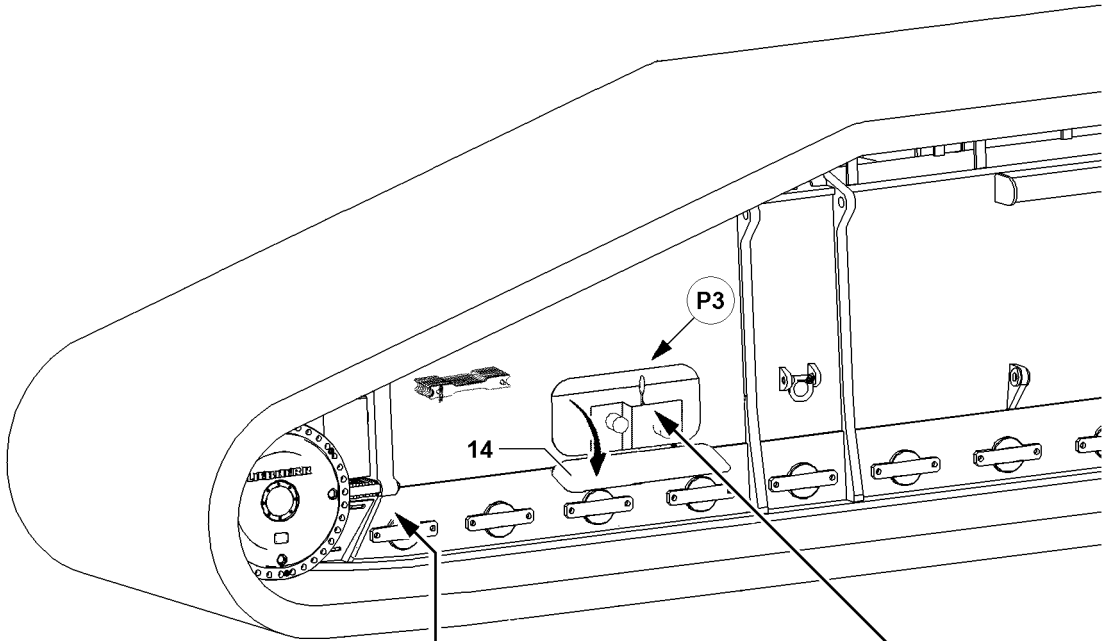
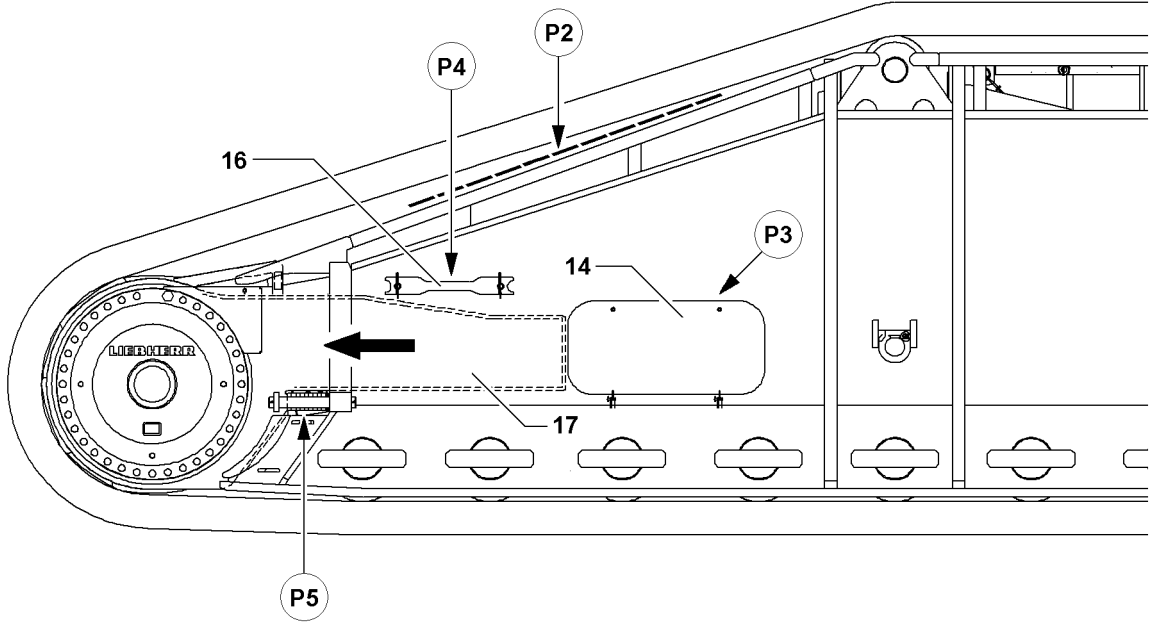


Fig.110054

LWE/LR 11350-005/19004-04-02/en

3.1.2 Carrying out the tension procedure

- ▶ Extend the tension cylinder completely with the manual lever **15.1**.

Result:

- The crawler chain is tensioned.
- ▶ Remove the spacer plates **16** from the transport receptacle on point **P4**.
- ▶ On point **P5**, insert as many spacer plates **16** as fit into the gap between the stop sliding section **17.1** and the stop crawler carrier **18**!
- ▶ Secure the spacer plates **16** with pin **19** and spring retainer **20**.



WARNING

Danger of crushing!

When retracting the tension cylinder, body parts, such as: Fingers, hands and arms can be crushed or severed!

- ▶ When retracting the tension cylinder, any work on the crawler carrier is prohibited!

- ▶ Retract the tension cylinder with the manual lever **15**.
- ▶ After the tension procedure, drive the crawler back and forth about one crawler length in operating mode „Straight forward travel“.

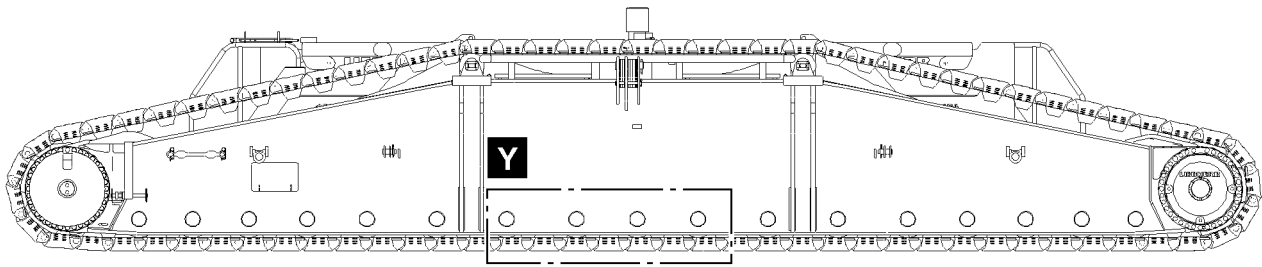
Result:

- The tension of the track chain is reduced.
- ▶ Check the distance of the track chain to the steel construction of the crawler carrier again at point **P2**.

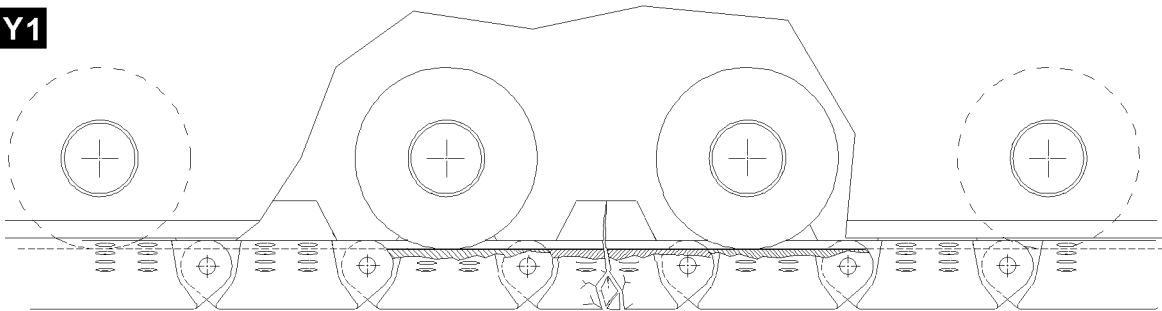


Note

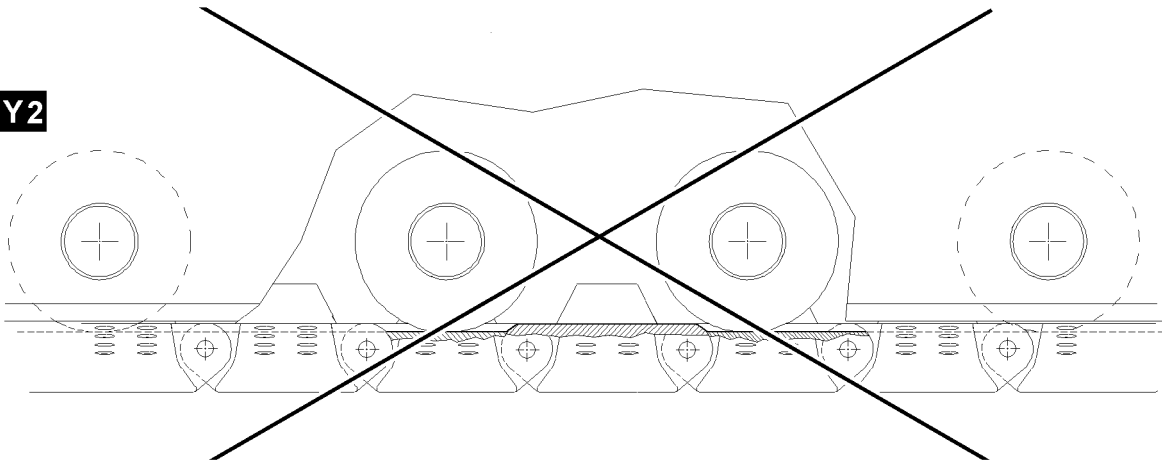
- ▶ If necessary, repeat the tension procedure of the track chain and insert additional spacer plates **16**!
- ▶ If the lift on the tension cylinder is no longer sufficient to tension the track chain, then trained expert personnel must remove one track pad!



Y1



Y2



Y3

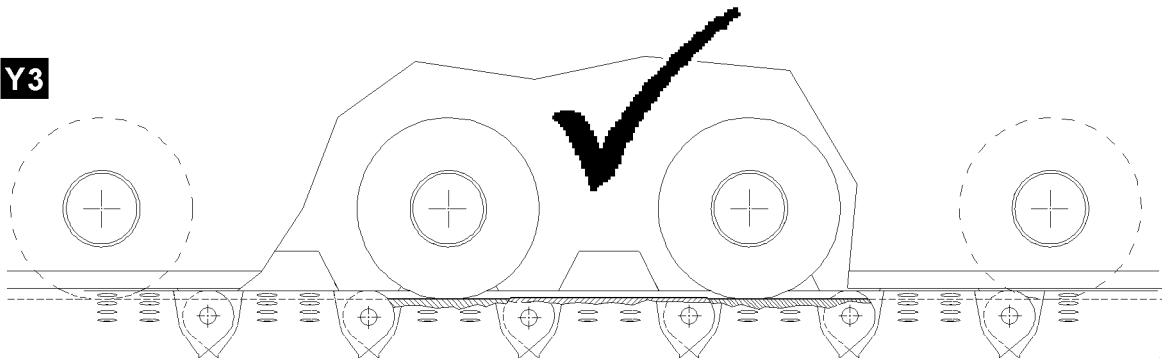


Fig.109917

LWE/LR 11350-005/19004-04-02/en

3.2 Checking wear on the track chain



WARNING

Track chain can be ripped off!

If the wear limit on the track pads **21**, bolts **22** or track rollers **23** is exceeded, then the track chain can break off during crawler operation!

The crane can topple over and personnel can be severely injured or killed!

- ▶ Random checks of the track pads **21**, bolts **22** and track rollers **23** must be carried out within the specified intervals!
- ▶ During the random inspection of the track rollers, the first and last track roller on the crawler carrier must be included in the inspection!
- ▶ If a wear limit on the component is reached, then the component must be replaced or remachined!

NOTICE

Significant wear of crawler travel gear!

If an individual track pad **21** must be replaced then it may not be replaced with a track pad **21** which shows a much lower degree of wear!

Significant height differences between the individual track pads **21**, see illustration **Y2**, lead to an increased mechanical stress on the track pads **21** and the track rollers **23** of the crawler carrier!

- ▶ Replace a defective track pad **21** with a track pad **21** which shows a similar degree of wear, see illustration **Y3**!



Note

- ▶ Due to the break-in period of the components toward each other, a larger stretch of the track chains occurs on a new crawler travel gear. For that reason, it may be necessary to remove a track pad **21** earlier to be able to tension the track chain correctly!

The wear of the track pad **21**, bolts **22** and track rollers **23** depends a various factors:

- Length of travel route
- Frequency of driving in curves
- Friction ratios track pad **21** - ground
- Evenness of the ground
- Type of ground
- Load bearing capacity of the ground / base
- Position of the total center of gravity
- Load on the hook
- Placed ballast on the crane

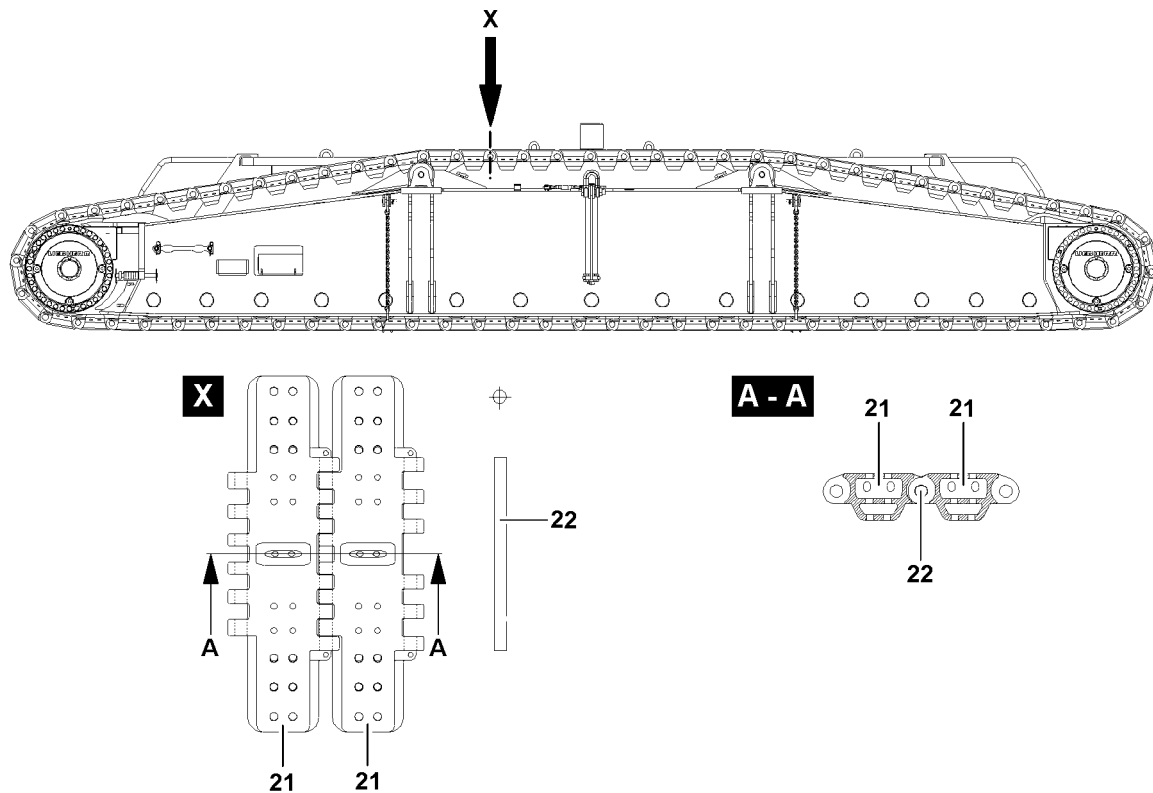


Fig.108536

3.2.1 Checking the wear on the connections of the track pads

NOTICE

Damage to the sprocket!

If the wear limit on the connections to the track pads is achieved, it can lead to increased wear on the sprocket and on the transporting lugs of the track pads due to excessive chain stretch!

Expensive and extensive repairs can result!

- ▶ The random inspection of the bolt diameter must be made within the specified intervals!
- ▶ If one bolt **22** falls below the minimum permissible dimension, then it must be replaced with a new bolt **22**!
- ▶ The random inspection of the bore diameter must be made within the specified intervals!
- ▶ If the bore diameter exceeds the maximum permissible dimension, then the track pad **21** must be replaced!

The track pads **21** of the crawler track are connected by bolts **22**.

Wear limit bore for the track pad	
Initial diameter	53 mm
Maximum permissible upper limit	56 mm

Wear limit bolt	
Initial diameter	50 mm
Maximum permissible minimum dimension	49 mm

Empty page!

LWE/LR 11350-005/19004-04-02/en

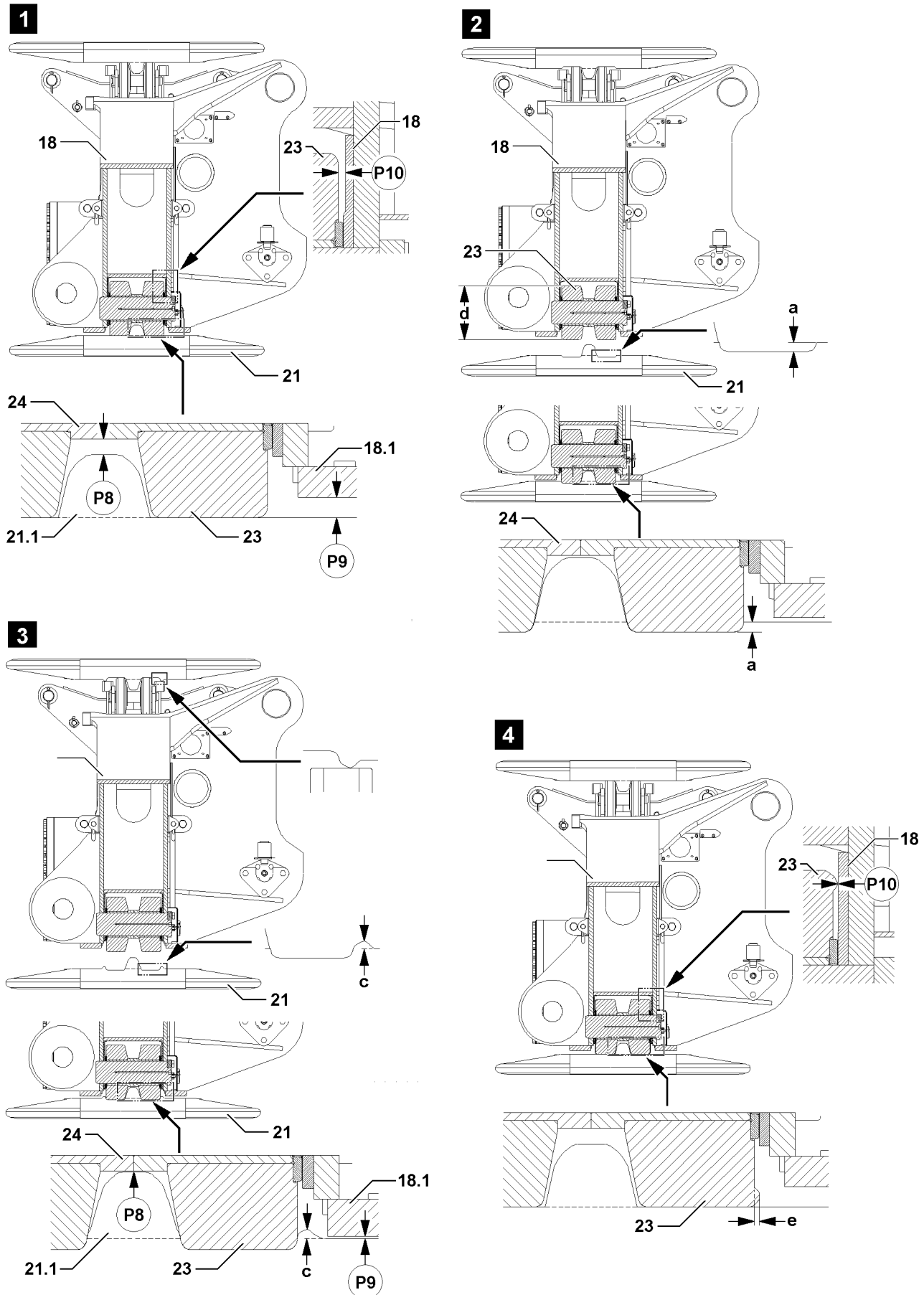


Fig.109882

LWE/LR 11350-005/19004-04-02/en

3.2.2 Checking the wear on the roll off surfaces of the track pads / track rollers

NOTICE

Destruction of track pad!

If a track pad **21** is not fixed or replaced after reaching the wear limit, then the track pad **21** will be destroyed and can cause damage to the crawler carrier **18**!

This could result in high property damage!

▶ Fix or replace the track pad **21** after reaching the wear limit!

NOTICE

Failure of track rollers!

If the track rollers **23** are not replaced after reaching the wear limit, then they can fail and cause damage to the crawler carrier **18** and track pad **21**!

This could result in high property damage!

▶ Replace track rollers **23** after reaching the wear limit!

NOTICE

Increased wear!

If the bulges on the track pads **21** and the track rollers **23** become too large, see illustration **3** and illustration **4**, then it results in increased wear on the crawler travel gear!

This could result in high property damage!

▶ Grind off / remove bulges in time!

If the wear limits are not adhered to, the minimum distances are fallen below:

- On point **P8** between the transporting lugs **21.1** and track roller body **24**
- On point **P9** between the track pad **21** and base belt **18.1**
- On point **P10** between the track rollers **23** and crawler carrier **18**

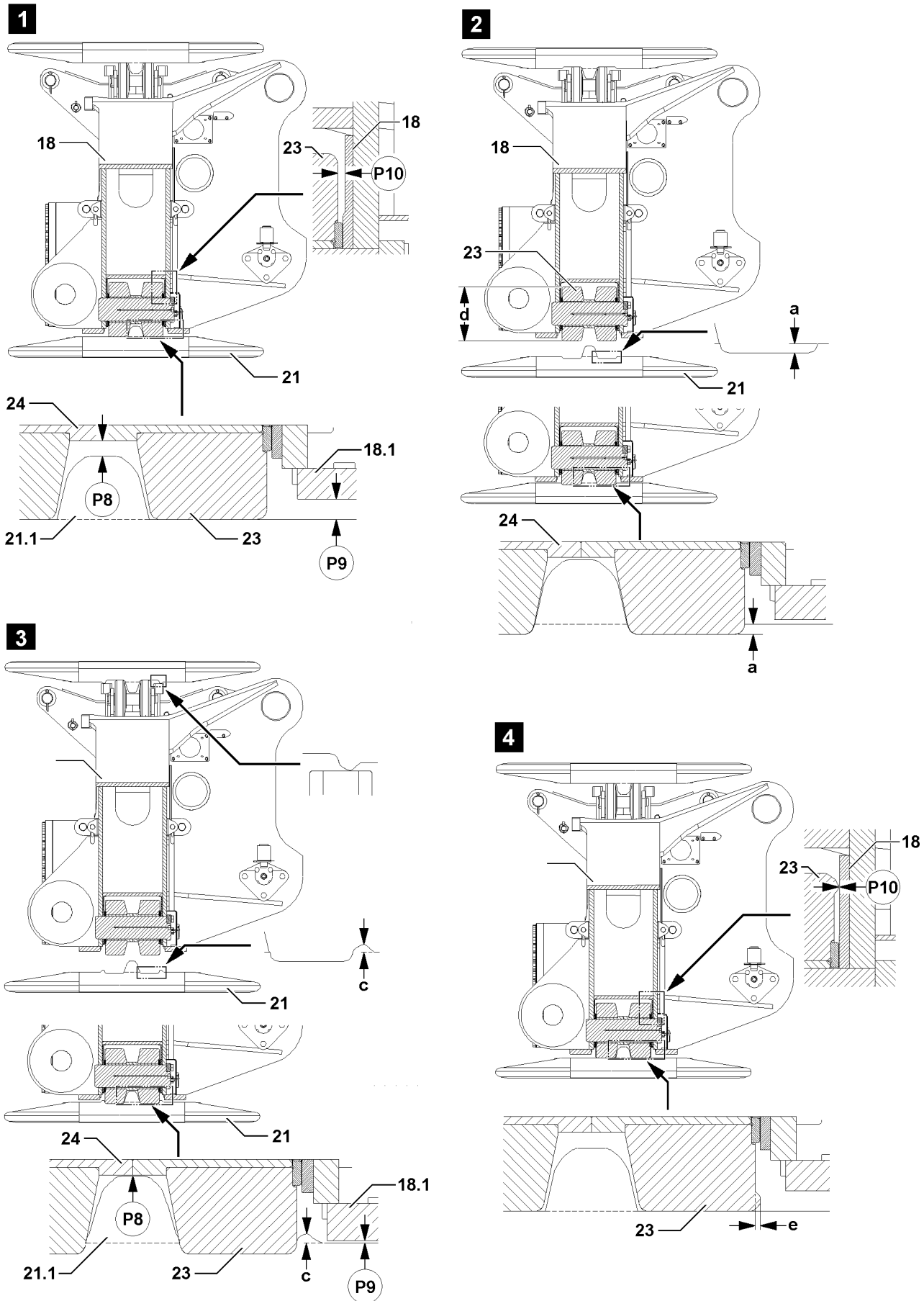


Fig.109882

LWE/LR 11350-005/19004-04-02/en

Wear limit track pad	
Maximum permissible run in depth a	8 mm
Maximum permissible bulge c	1)

Wear limit track roller	
Initial diameter	400 mm
Permissible minimum diameter d (measured in the center of the running surface)	396 mm
Maximum permissible bulge e	3 mm ²⁾

1) As soon as the bulge scrapes on the base belt of the crawler carrier, **grind bulge off!**

2) Valid for all travel gear systems: If bulge is more than 3 mm , **grind bulge off!**



WARNING

Danger of injury due to improper procedure!

- ▶ All work on the track chains must be carried out by trained expert personnel!



Note

- ▶ Track pads, which have reached the maximum run in depth or whose running surface is heavily worn can be repaired by repair welds according to welding guideline or repair instructions of **LIEBHERR-Werk Ehingen GmbH!**
 - ▶ Damage on sprocket and track pads - caused by operational wear - can be repaired by repair welds according to welding guidelines or repair instructions of **LIEBHERR-Werk Ehingen GmbH!**
 - ▶ Please contact the Service Dept. at **LIEBHERR-Werk Ehingen GmbH!**
-
- ▶ Replace worn track rollers **23**.
 - ▶ Grind off excessive bulges, see illustration **3** and illustration **4**.

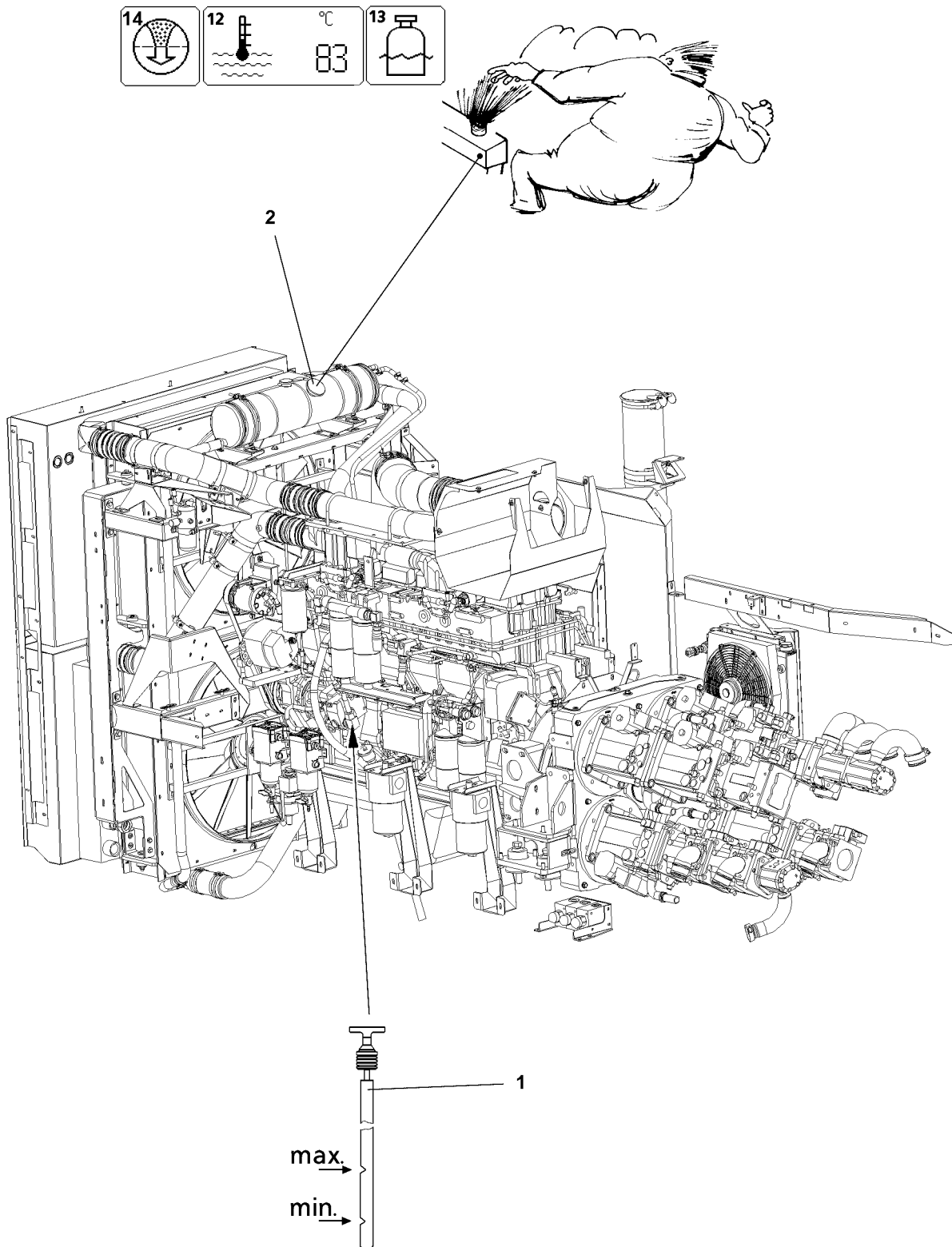


Fig.102652

1 Crane engine

Never step on fuel lines during maintenance or repair work in the engine area!



DANGER

Risk of fire!

- ▶ Make sure that the engine area is kept free of diesel fuel!
- ▶ Extreme cleanliness is vital, particularly during filter changes and bleeding. Wipe up any spilled fuel!
- ▶ When replacing the filter, it is recommended to put down cleaning rags before removing the filter in order to absorb fuel!

1.1 Engine oil

1.1.1 Checking the oil level

Make sure that the following prerequisites are met:

- The crane is in horizontal position.
 - The engine is turned off and the oil has collected in the oil pan.
- ▶ Remove the dipstick **1** and wipe it off.
 - ▶ Reinsert the dipstick **1** and pull it out again.

The oil level must be between the min. and max. marks on the dipstick **1**.

- ▶ Check the oil level.



CAUTION

Risk of damaging the engine!

If the oil level has dropped below the minimum mark, add engine oil according to the lubrication chart until the oil level is between the minimum and maximum marks!

- ▶ Add engine oil and check again!

- ▶ Reinsert the dipstick **1**.

1.1.2 Changing the oil



Note

- ▶ Refer to the separate operating instructions for „CUMMINS Diesel engines“!

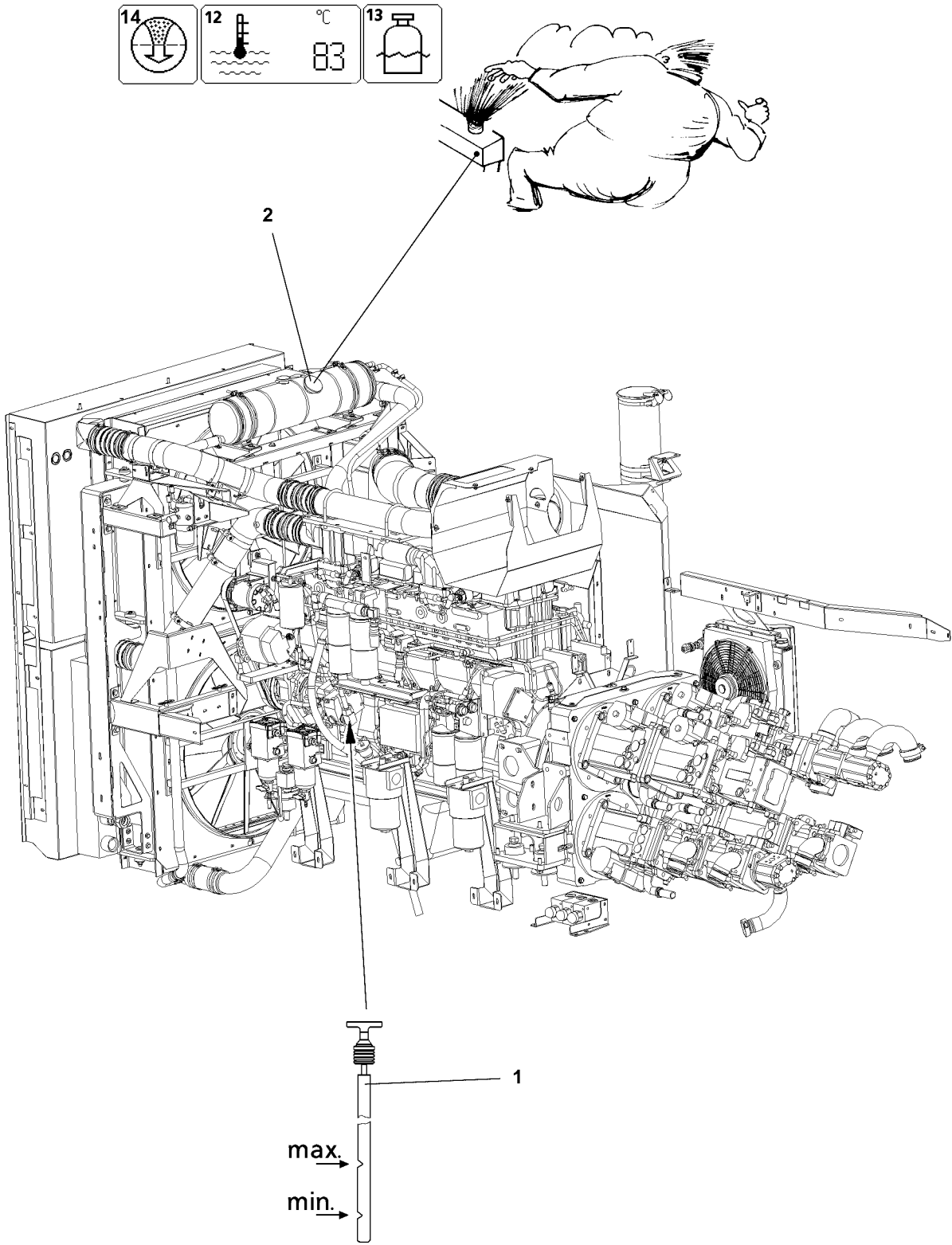


Fig.102652

1.2 Coolant Engine cooling

The coolant level is monitored by the LICCON computer system. If the coolant level is too low the „Low coolant level“ **13** icon appears on the LICCON monitor.

The crane's engine coolant temperature can be read on the LICCON monitor in [°] on the „Engine coolant temperature“ icon.



DANGER

Risk of skin burns!

▶ Check the coolant only when the engine is cold!

-
- ▶ Turn the cap **2** on the filler neck of the water cooler expansion tank to the 1st notch.
 - ▶ Release excess pressure.
 - ▶ Remove the cap **2**.
 - ▶ Check the coolant level.

Add coolant as specified in the lubrication chart only on the filler neck of the water cooler expansion tank.

- ▶ Add coolant to overflow level if necessary.
- ▶ Close the cover **2** tightly.

1.3 Air filter

The air filters are monitored by the LICCON computer system. If the vacuum increases in the intake line due to dirty filter units, the „Air filter contaminated“ **14** icon is displayed on the LICCON monitor.

If the „Air filter contaminated“ **14** icon appears:

- ▶ Clean or replace the filter unit.

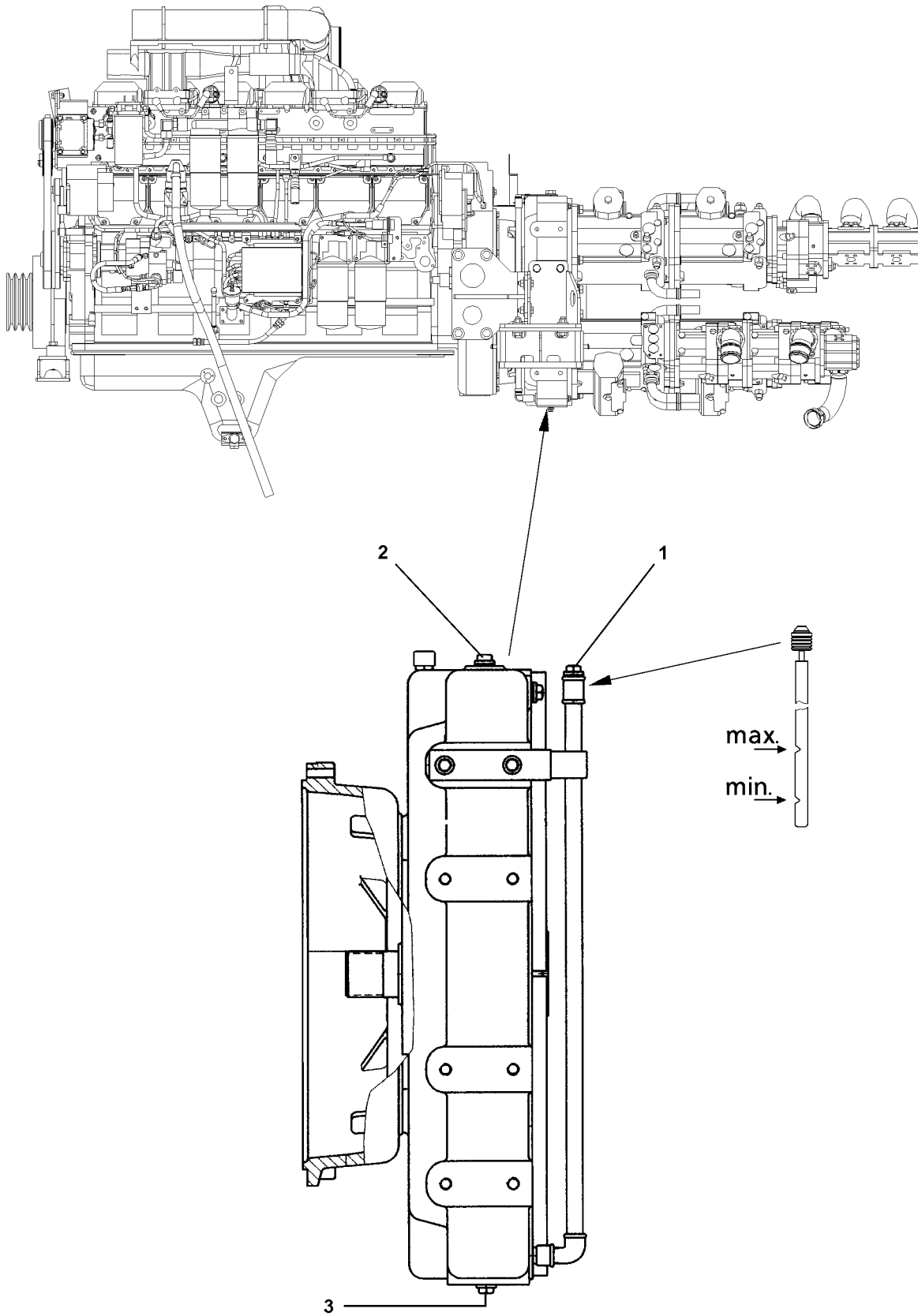


Fig.102653

LWE/LR 11350-005/19004-04-02/en

2 Pump distributor gear

Maintain utmost cleanliness during all work to prevent any dirt from entering the inside of the gear.

2.1 Checking the oil level

**Note**

- ▶ Make sure that the crane is in horizontal position!

- ▶ Remove the dipstick **1** and wipe it off.
- ▶ Reinsert the dipstick **1** and pull it out again.

The oil level must be between the min. and max. marks on the dipstick **1**.

- ▶ Check the oil level.

**CAUTION**

Danger of gear damage!

If the oil level has dropped below the minimum mark, add engine oil as specified in the lubrication chart until the oil level is between the minimum and maximum marks!

- ▶ Add oil and check again!

- ▶ Reinsert the dipstick **1**.

2.2 Changing the oil

Make sure that the following prerequisites are met:

- The crane is in horizontal position.
- The gear is warm.

- ▶ Remove the oil filler plug **2**.
- ▶ Remove the oil drain plug **3** and drain the oil.
- ▶ Install the oil drain plug **3** with new seal and tighten.
- ▶ Add oil as specified in the lubrication chart on the oil filler plug **2** until the oil level is between the min. and max. marks on the dipstick **1**.
- ▶ Install the oil filler plug **2** with new seal.
- ▶ Check the oil level.

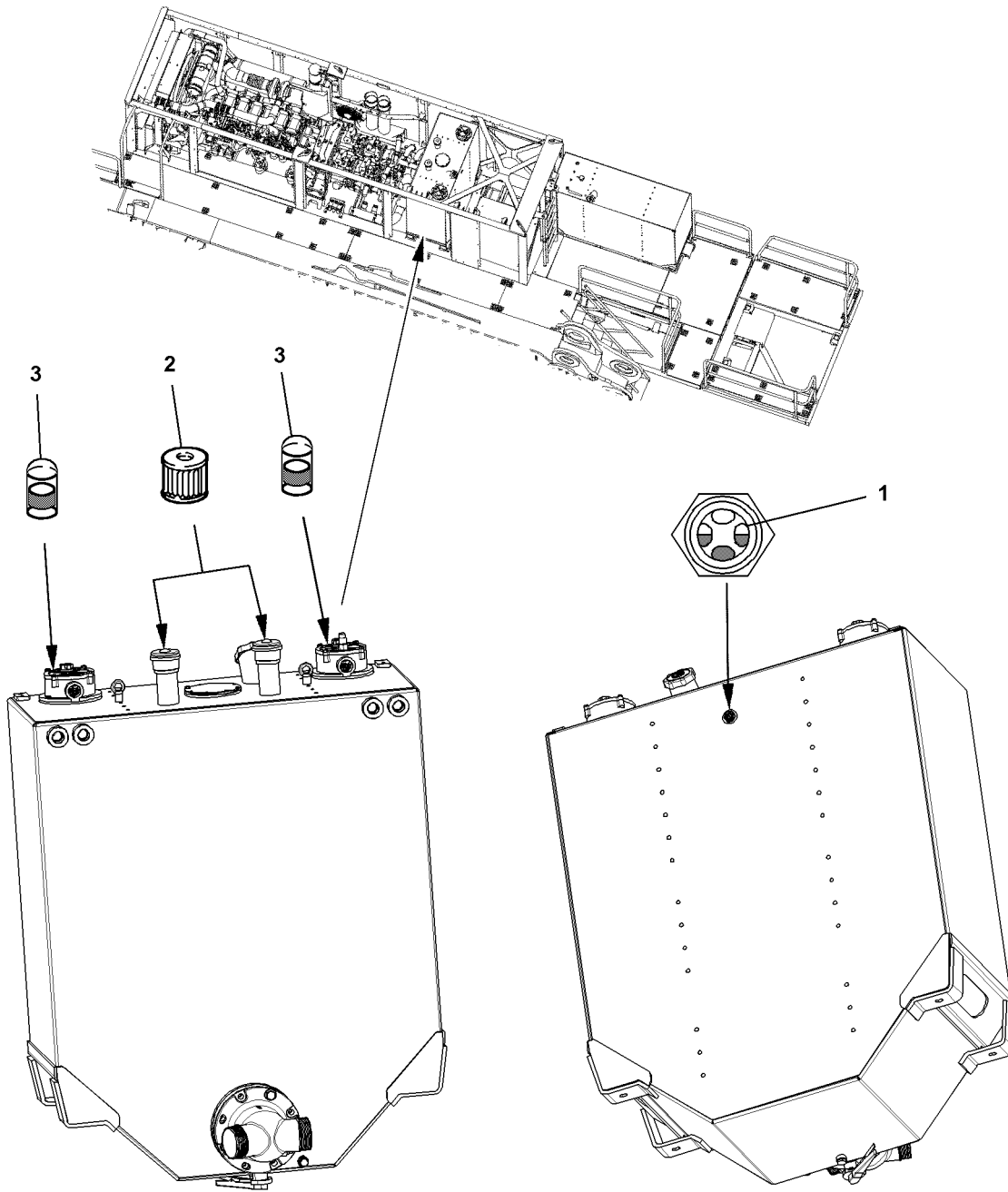


Fig.102654

3 Hydraulic system



CAUTION

Damage to the hydraulic system!

If the hydraulic system is contaminated when working on the hydraulic system, then the hydraulic system can be damaged and fail!

- ▶ Always keep up most cleanliness when working on the hydraulic system!
- ▶ This applies especially for filter changes, refilling of hydraulic oil or changing of components!

3.1 Hydraulic tank

3.1.1 Checking the oil level

Make sure that the following prerequisites are met:

- The crane is in horizontal position.
- All hydraulic cylinders are fully retracted.

The oil level must be in the center of the oil level sight gauge **1**.

- ▶ Check the oil level on the oil level sight gauge **1** of the hydraulic oil tank.

Problem remedy

No oil is visible in the oil level sight gauge **1**?

- ▶ Add oil as specified in the lubrication chart using a fine-mesh strainer until oil level is in center of the oil level sight gauge **1**.

3.1.2 Checking the breather / vent filter

- ▶ Open the cover with the turn lock.
- ▶ Check filters **2** for impurities (visual inspection).

In the event of heavy contamination:

- ▶ Replace the filters **2**.
- ▶ Close the cover with the turn lock again.
- ▶ Start the engine.
- ▶ Slowly run through all crane movements.
- ▶ Check the oil level again and add oil if necessary.

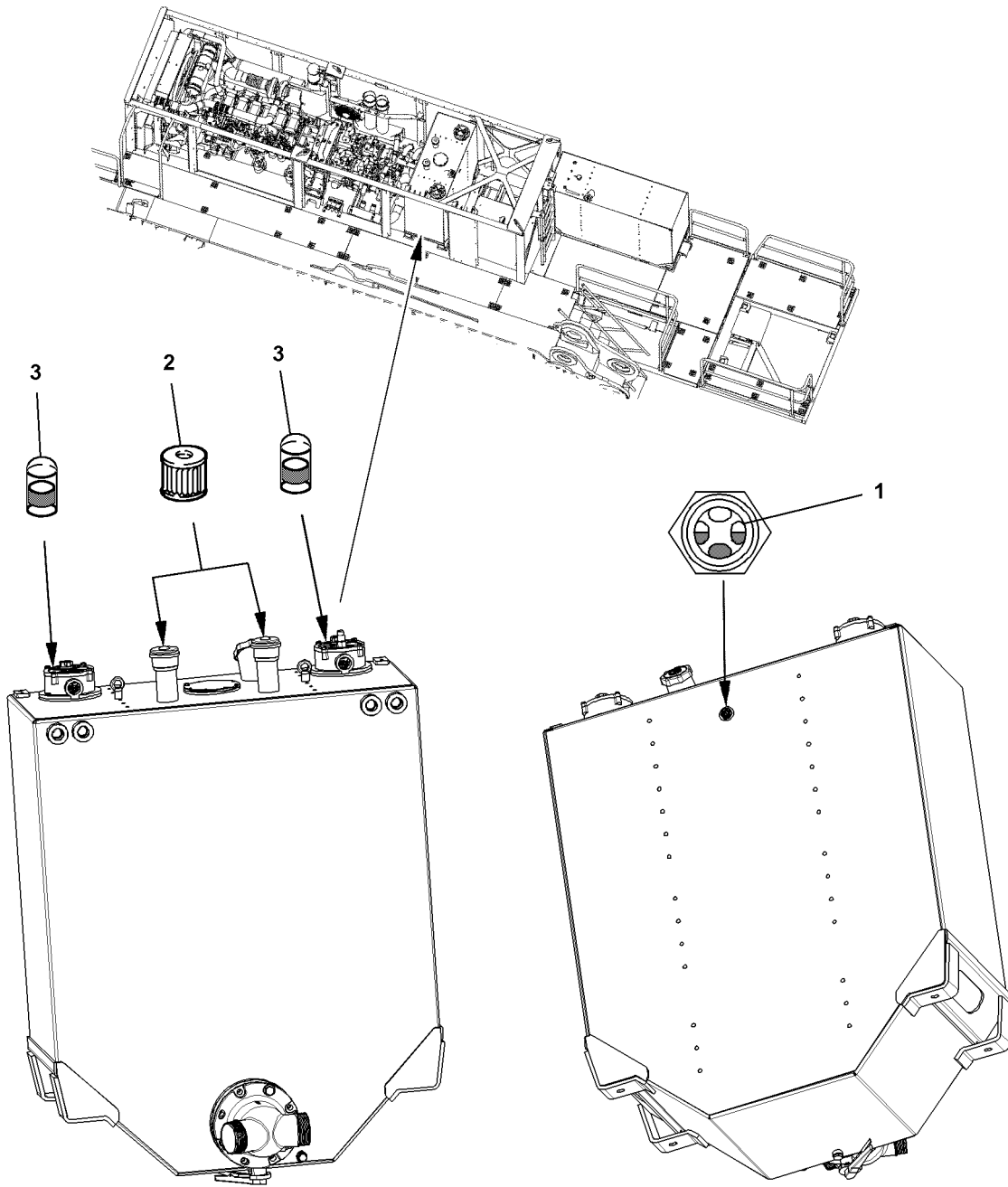


Fig.102654

LWE/LR 11350-005/19004-04-02/en

3.1.3 Return filter

The return filters **3** are equipped with a maintenance indicator. If the red mark is visible when the oil is at operating temperature, then the filter insert must be replaced.

- ▶ Unscrew and remove both filter covers.
- ▶ Remove the filter units.
- ▶ Rinse out the filter housing.
- ▶ Clean the sealing surfaces on the covers and filter housings.
- ▶ Insert new filter units.
- ▶ Lubricate the rubber seal rings in the covers with oil.
- ▶ Replace both filter covers and screw tight.
- ▶ Start the engine and check the filter for leaks.
- ▶ Check the oil level and add oil if necessary.

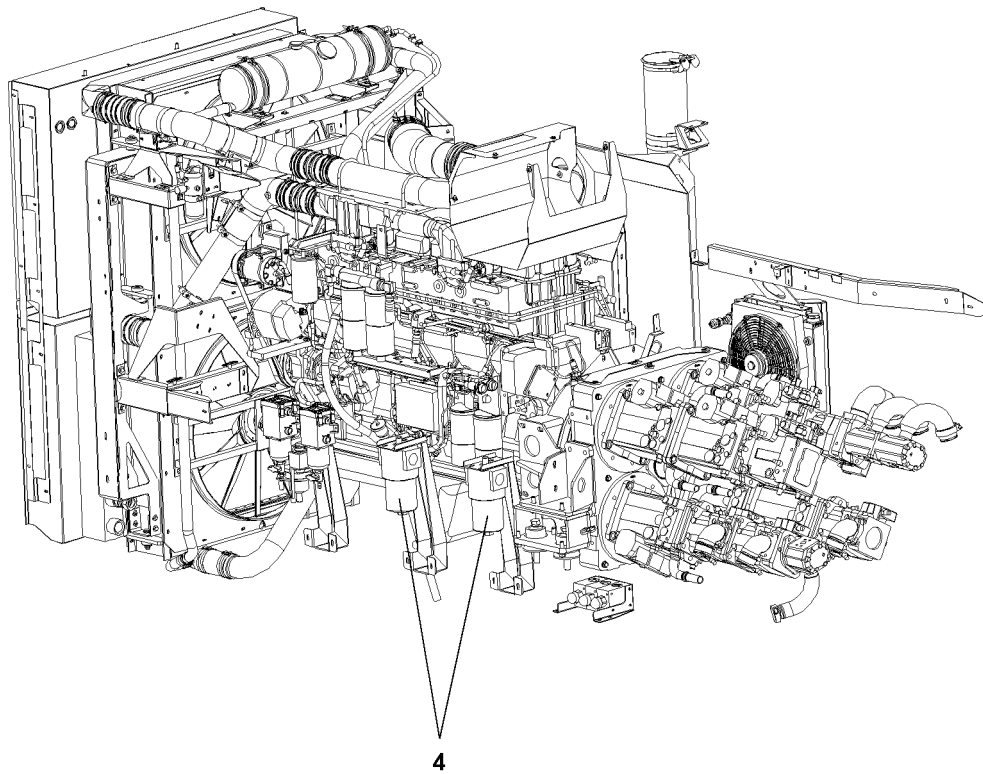


Fig.102655

LWE/LR 11350-005/19004-04-02/en

3.2 Pressure filter in the crane hydraulic

The pressure filter 4 is equipped with a maintenance indicator. If the red bar indicator is visible when the oil is at operating temperature, then the filter cartridge must be replaced.

- ▶ Turn the engine off.
- ▶ Release the filter cartridge and collect any escaping oil in a suitable container.
- ▶ Remove and dispose of the filter cartridge.
- ▶ Clean the sealing surface on the filter bracket.
- ▶ Lubricate the rubber seal ring on the new oil filter cartridge with oil.
- ▶ Screw on and tighten new filter cartridge.
- ▶ Start the engine and check for leaks.
- ▶ Slowly run through all crane movements.

Result:

- This bleeds the hydraulic system.
- ▶ Check the oil level again and add oil if necessary.

3.3 Diaphragm reservoir

Various diaphragm reservoirs are installed in the hydraulic system. The pretension pressures are specified in the hydraulic circuit diagram as well as on the individual diaphragm reservoirs. The pretension pressure must be measured separately in each diaphragm reservoir.



CAUTION

Risk of damaging the hydraulic system!

If the ambient temperatures fluctuate considerably, for example after transfer to countries with extremely hot or cold temperatures or in countries with considerable differences between the summer and winter temperatures, the accumulator pressures may change!

- ▶ Check the accumulator pressures and correct if necessary!

Make sure that the following prerequisite is met:

- The crane engine is turned off.
This relieves the diaphragm reservoir at the fluid side.



DANGER

Risk of explosion!

The pressure in the nitrogen cylinder must be less than the maximum permissible operating pressure of the accumulator or the pressure gauge. Otherwise install a pressure reducer between the cylinder and the filling device!

- ▶ Do not use air or oxygen to fill the diaphragm reservoir!

The pretension pressure in the hydraulic reservoirs may only be checked by an expert with appropriate training and equipment. In addition, the national regulations for pressurized container inspections must also be observed.

- ▶ Check the pretension pressure with a testing and filling device and correct it, if necessary.

3.4 Hydraulic hose lines

The hydraulic hose lines must be checked according to ISO 9927-1 by an **experienced technician** or **expert mechanic**, as required, depending on the duration of use and the operating conditions, but at least once a year.

Experienced technicians are persons who have adequate knowledge of cranes because of their professional background and experience and are adequately familiar with the relevant settings to detect deviations from the correct situation (i.e. specially trained personnel).

Expert mechanics are mechanics who have experience in the design, construction or maintenance of cranes and have adequate knowledge of the relevant settings and standards and the necessary

equipment to perform an inspection, and are in a position to assess the safety standards of the crane and decide which action needs to be taken to ensure that the crane can continue to be operated safely.



Note

► The applicable national regulations must also be complied with!

3.4.1 Checking the hydraulic hose lines within area of responsibility of the German employer's liability insurance associations

At least once a year, an **expert** must check whether the hydraulic hoses are in a safe condition. The crane must be inspected by an **authorized inspector** every four years from the day it was first licensed. After the 12th year of operation, the crane must be inspected annually by an authorized inspector.

The **expert** or **authorized inspector** must document the fact that the hydraulic hoses can continue to be used in the crane!

An expert is someone whose technical training and experience means that they have adequate knowledge in the field of hydraulic hoses and hose systems and are adequately familiar with the relevant national work safety regulations, accident prevention regulations, directives and generally accepted technical regulations (e.g. DIN standards, VDE regulations, technical regulations of other EU member states or other countries that have signed the European Economic Community agreement) that they are in a position to assess whether hydraulic hoses and hose systems are safe to work with.

An authorized inspector is someone employed by supervisory authorities. In Hamburg this is the Amt für Arbeitsschutz (work safety office) and in Hessen it is the technical supervisory offices or an authorized inspector employed by the professional associations.

3.4.2 Examples of possible defects in hose lines



DANGER

Risk of fire or accident!

If problems are discovered during inspections, then they must be remedied immediately or suitable measures are to be taken!

Failure to do this can result in serious injury to persons, death or damage to property!

► Remedy problems or take suitable measures!

- Damage to the outer layer as far as the intermediate layer (e.g. chafing, cuts and cracks)
- Outer layer brittleness (crack formation of the hose material)
- Deformation that differs from the natural shape of the hose or hose line, in depressurized as well as in pressurized condition or in bends, for example layer separation, bubbling, crushing or kinking
- Leaks
- Failure to follow installation instructions
- Damage or deformation of hose fittings that inhibit the function and strength of the fitting or the hose / fitting connection
- Hose slipping out of fitting
- Fitting corrosion that inhibits function and strength
- Storage time or usage period exceeded

3.4.3 Maintenance of hose lines

- We recommend to check all hoses, hose lines and screw fittings daily, but at least every two weeks for leaks and externally recognizable signs of damage.
- Damaged parts must be replaced immediately! Oil spray can lead to injuries and fires!
- Hydraulic lines and hoses may not be repaired!
- Hoses that have already been used in a hose system may not be reinstalled in hose systems.
- Always use original Liebherr spare parts when replacing hoses and hose systems.

- Always ensure that the hoses are routed free of torsion. If high pressure hoses are being used, attach screws of half clamps or full flange at both ends of hose and then tighten.
- When using high pressure hoses with a bent fitting, tighten the end with the bent fitting first when tightening the flanges, then the end with the straight fitting.
- Any mounting clamps in the hose center may be attached and tightened only thereafter.
- Route the hoses in such a way that chafing with other hoses or other structures is prevented. Maintain a minimum clearance of approximately $\frac{1}{2}$ the outer diameter of the hose to other parts. The clearance should never be less than 10 mm to 15 mm.

3.4.4 Replacing the hose lines



DANGER

Risk of fire or accident!

Failure to replace hose lines at appropriate intervals can cause serious injury to persons, death or damage to property!

- ▶ Replace hose lines at appropriate intervals!
-

This must be documented in the crane's log book by the **expert** or the **authorized inspector**.

The service life of a hose system may not exceed six years, including a storage period of a maximum of two years (observe the manufacturing date on the hoses). The duration of use can also be defined by the **expert** or **authorized inspector** in accordance with existing test and empirical data in the individual application areas, taking the usage conditions into consideration.

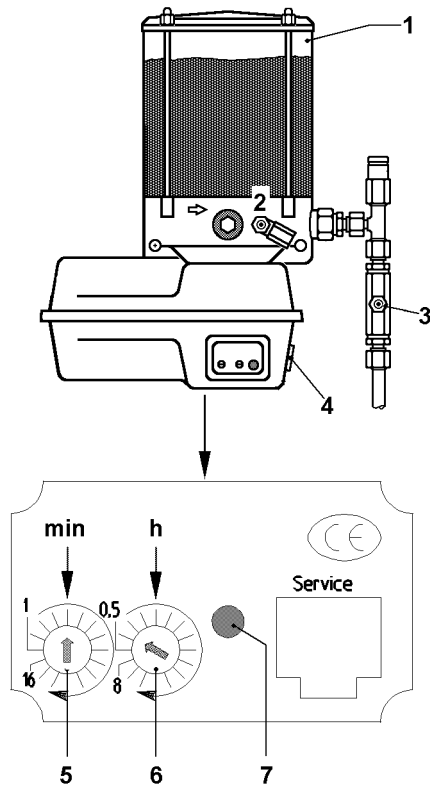
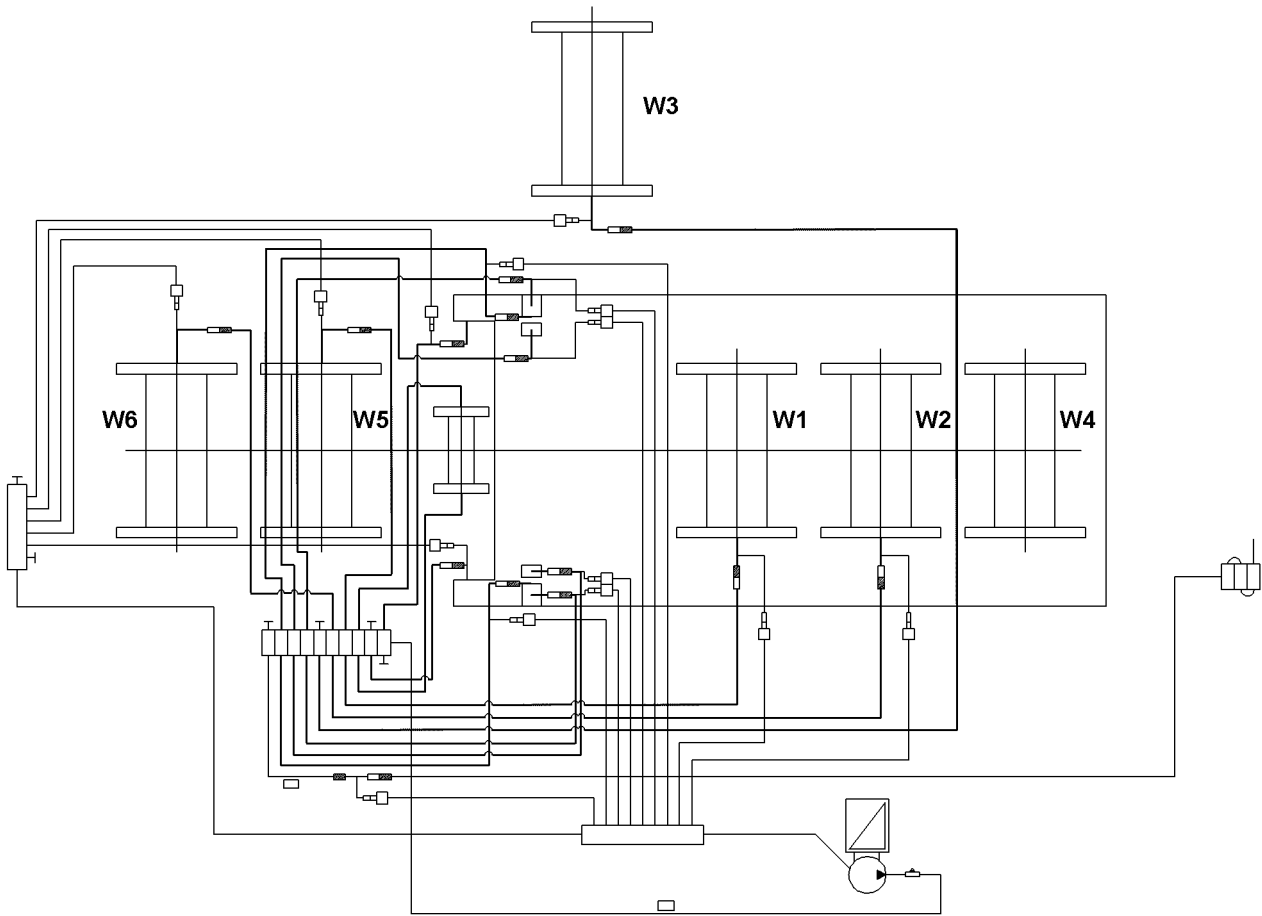


Fig.102656

LWE/LR 11350-005/19004-04-02/en

4 Central lubrication system

The turntable, the rotary connection and the winches are equipped with a central lubrication system. All grease points (see illustration on the left) are automatically provided with the correct amount of grease.

If the crane has not been moved for more than 3 months, then it must be lubricated every 3 months with an external grease pump until grease emerges from all grease points. Then the relevant crane movement must be repeated several times and the lubrication procedure must be carried out again.

4.1 Central lubricating system - turntable

Lubricating time: 5 min

Break period: 1 h

4.1.1 Components of the system

1 Grease container

Grease fitting 2: - Filling the central lubricating system

Grease fitting 3: - Filling the lubrication lines

Push button 4: - Intermediate lubrication

Latched switch 5: - Lubricating time min

Latched switch 6: - Break period h

LED 7 yellow

4.1.2 Setting the lubrication and break periods

The LED 7 on the engine protection housing blinks in a 0.5 second cycle during the lubrication process. The lubrication and pause time is set at the factory. The times can possibly be changed by using the latched switch 5 and latched switch 6.

► Turn on the engine ignition.

Result:

- When turning on the ignition, the LED 7 lights up for approximately 1.5 s and displays the operational readiness.

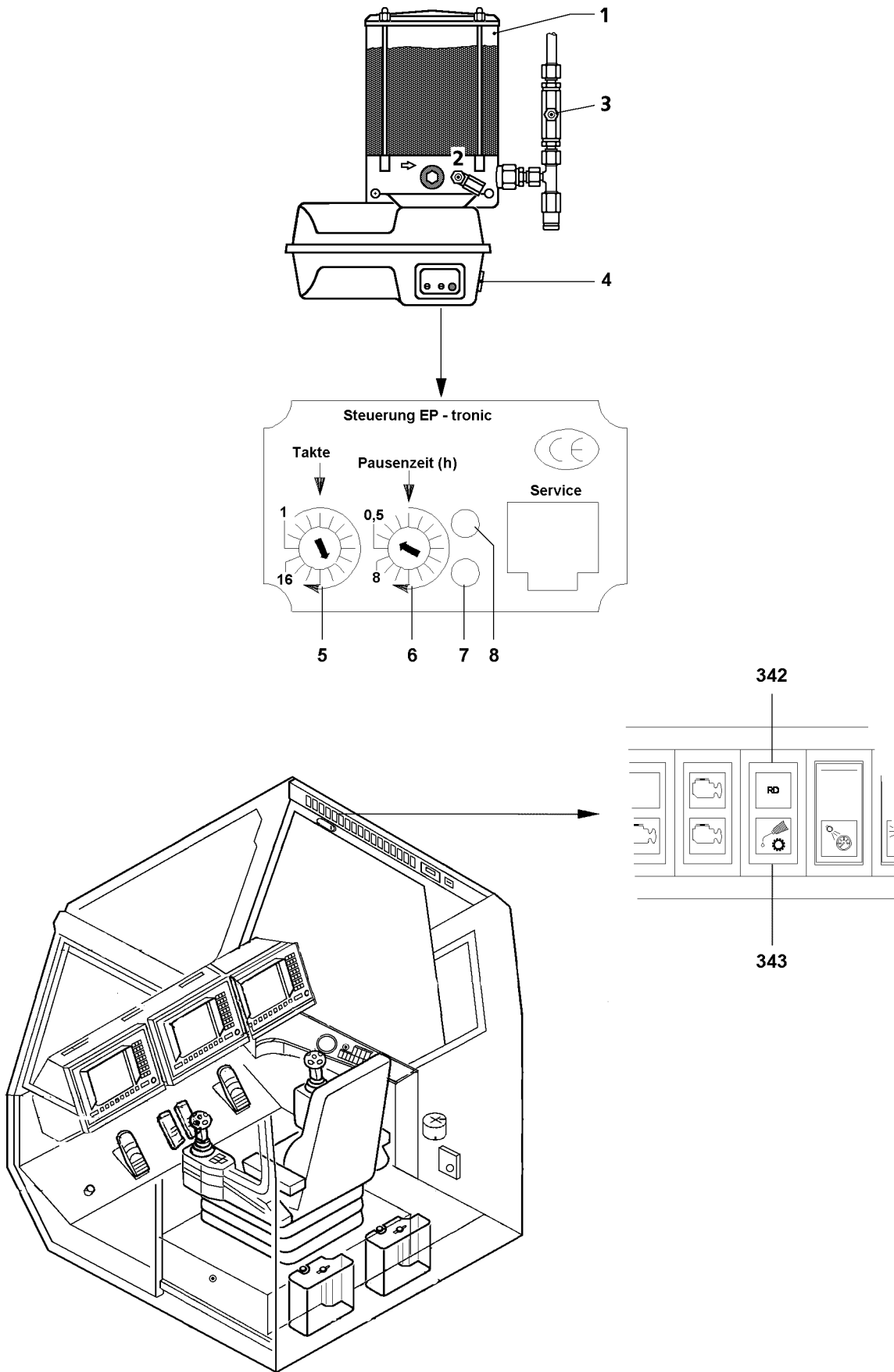


Fig.102499

4.2 Central lubricating system - slewing ring connection

Lubrication pump run time: 12 cycles

Cycle time: 0.5 h

4.2.1 Components of the system

1 Grease container

Grease fitting **2**: - Filling the central lubricating system

Grease fitting **3**: - Filling the lubrication lines

Push button **4**: - Intermediate lubrication

Latched switch **5**: - Cycles

Latched switch **6**: - Break period h

LED **7** green

LED **8** red

4.2.2 Adjusting the lubrication and break period

The lubrication and break period is set in the factory.

- ▶ Adjust the lubrication pump run time with the latched switch **5**.
- ▶ Adjust the break period with the latched switch **6**.

4.2.3 Cycle control

The central lubrication system is progressively monitored. This means that a proximity switch converts the piston strokes of the central lubrication system distributor into electric control signals and relays them to the control unit. If the control signals are not present or incomplete the control light **343** and the control light **342** indicate a malfunction.

Blinker code - cycle control

The LED **7** performs the equivalent function of the indicator light **343**.

The LED **8** performs the equivalent function of the indicator light **342**.

During operation

Ignition on, ready for operation:

Indicator light **342** lights up for 1.5 s and turns off.

Indicator light **343** lights up for 1.5 s and turns off.

Lubrication:

Indicator light **342** does not light up.

Indicator light **343** lights up during the lubricating period.

In case of a problem

Error in monitoring time cycle input:

The indicator light **342** lights up for 1 s and is off for 1 s etc.

The indicator light **343** lights up for 1 s and is off for 1 s etc.

Memory error, battery error:

The indicator light **342** lights up for 0.5 s and is off for 0.5 s etc.

Indicator light **343** does not light up.

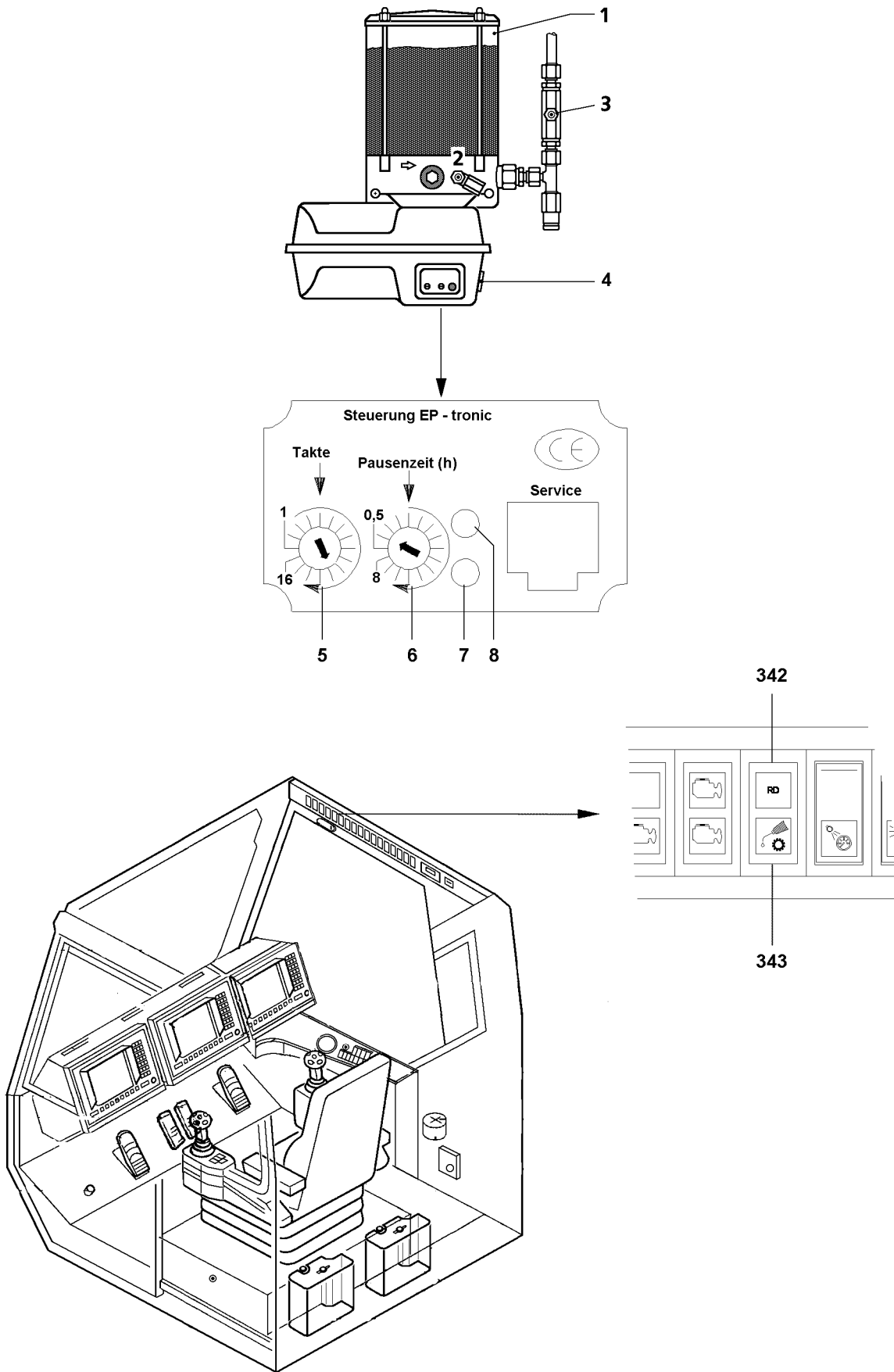


Fig.102499

4.3 Central lubricating system in general

4.3.1 Intermediate lubrication

Intermediate lubrication can be carried out manually after washing the crane, for example.

- ▶ Press the push button 4.

Result:

- Components are greased.

4.3.2 Function check



Note

- ▶ Ensure that the ignition is turned on!
- ▶ Trigger 2 or 3 grease pulses via the push button 4.

Result:

- Grease exits from the pressure relief valve.

4.3.3 Filling the grease container



CAUTION

Risk of damage due to insufficient lubrication!

- ▶ There must always be sufficient grease in the grease container 1!
- ▶ Observe utmost cleanliness when filling the grease container 1!

- ▶ Fill grease container 1 using grease pump via the grease fitting 2.

4.3.4 Filling the lubrication lines



CAUTION

Risk of damage due to insufficient lubrication!

The lubrication lines must be refilled after any repair on components, which are lubricated with grease. If this is not observed, the component may run dry!

- ▶ Sufficient grease must be available in the grease lines after every repair on greased components!
- ▶ Observe utmost cleanliness when filling the grease lines!

- ▶ Add grease with an external grease pump via the grease fitting 3.

or

Push the red button on the engine protection housing of the grease pump while the ignition is on.

4.3.5 Bleeding the central lubricating system

If the grease container 1 has been emptied, then it may be necessary to bleed the central lubrication system.

- ▶ Fill the grease container 1.
- ▶ Unscrew the main line from the grease pump outlet.
- ▶ Activate intermediate greasing until bubble-free grease exits from the grease pump outlet.
- ▶ Reconnect the main line.
- ▶ Trigger intermediate lubrication.

4.4 Troubleshooting on the central lubrication system

Problem	Cause	Remedy
The grease pump does not work	Integrated electronic control defective, electrical line interrupted, grease pump defective	Replace lower part of motor protection housing, replace electrical line, replace grease pump
Grease pump operates, but does not deliver	Air cushion in delivery piston, minimum fill level fallen below, grease pump element defective	Bleed grease pump, fill reservoir, replace grease pump element
No grease collar on all lube points	Grease pump not operating, interval time too high or cycle time too short, system blocked	See „Grease pump not operating“, reduce interval time or increase number of cycles, refer to „Grease emerges on pressure relief valve“
No grease collar on several lube points	Supply lines to secondary distributors broken or leaking, screw connections leaking	Replace lines, tighten or replace screw connections
No grease collar on one lube point	Associated lube line broken or leaking, screw connection leaking	Replace line, tighten or replace screw fitting
Grease pump speed reduced	Higher system pressure, lower ambient temperature	Check system / bearing points, no damage: Grease intermediately once or twice, if necessary
Grease emerges on pressure relief valve	System pressure too high, progressive distributor blocked, system blocked, defective valve spring	Check system, replace distributor, repair blocked / seized bearing point, replace pressure relief valve
The red LED blinks very fast	Error CPU / memory	Consult Liebherr Service
The red LED and the indicator light blink fast	Error in the monitoring period from cycle start	The proximity switch is defective, consult Liebherr Service

5 Slewing ring connection

5.1 Greasing the slewing ring

Before and after long breaks in operation, especially before and after a possible winter break, carry out the lubrication procedure with special care to ensure the best possible corrosion protection.

If the crane has not been moved for more than 3 months, then it must be lubricated every 3 months with an external grease pump until grease emerges from all grease points. Then the relevant crane movement must be repeated several times and the lubrication procedure must be carried out again.

- ▶ Grease exterior of slewing ring.

5.2 Tilt play of roller ring connection

The wear of the roller ring connection is determined by measuring the „Tilt play“ with the ring installed.

**Note**

- ▶ The determination of the „Tilt play“ must be carried out according to the **test instructions of Liebherr-Werk Ehingen GmbH!**
- ▶ Contact the Service Dept. at **Liebherr-Werk Ehingen GmbH** for **test instructions!**

**DANGER**

Danger of accident if tilt play of roller ring connection is too large!

If the permissible tilt play of 2.0 mm is exceeded, then safe crane operation is no longer possible.

- ▶ Replace the roller ring connection if the tilt play is larger than 2.0 mm !

1

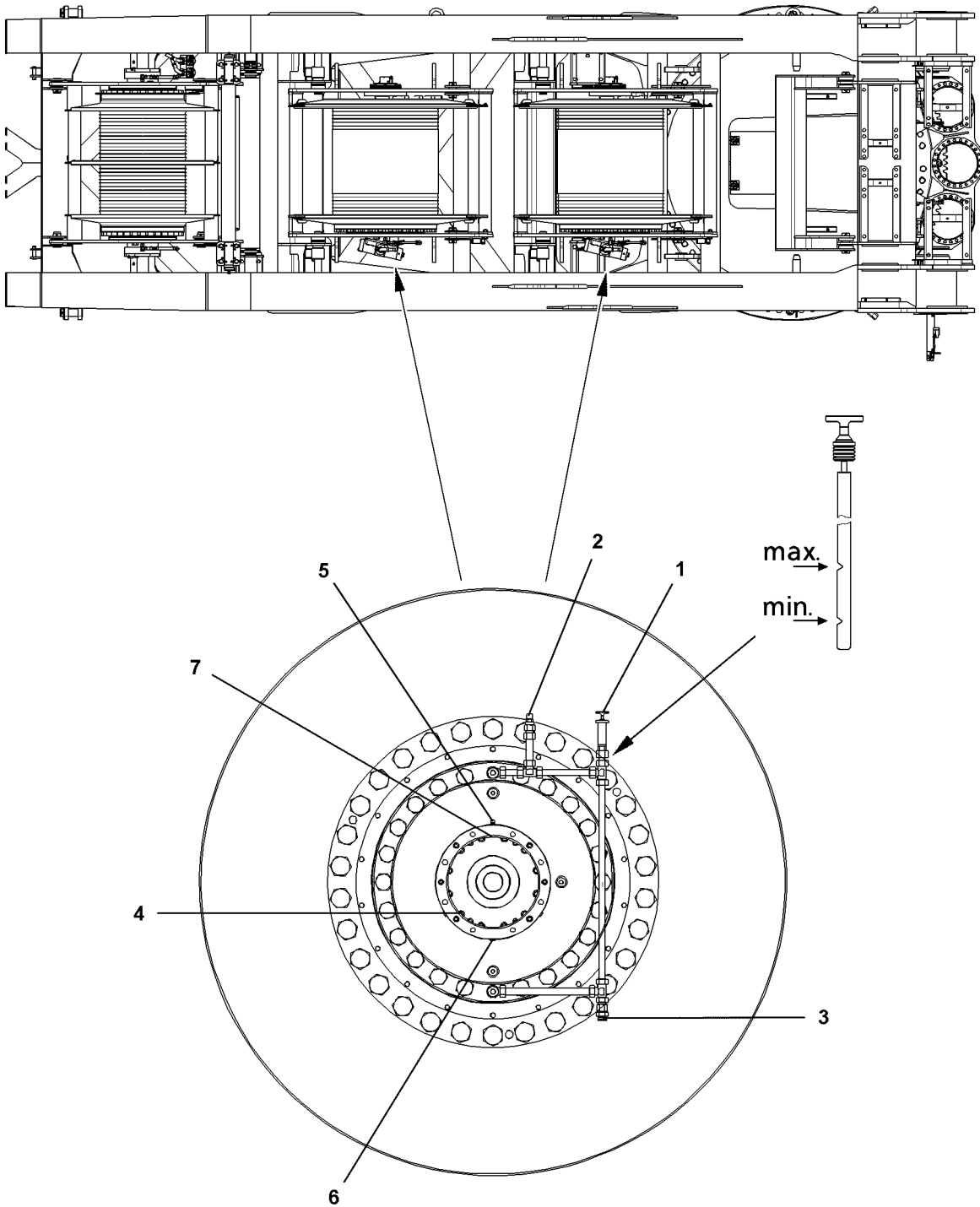


Fig.102657

LWE/LR 11350-005/19004-04-02/en

6 Winches

Maintain utmost cleanliness during all work to prevent any dirt from entering the inside of the gear.

6.1 Illustration overview - winches

Winch 1 + 2, illustration 1

Winch 3, illustration 2

Winch 4, illustration 3

Winch 5, illustration 4

Winch 6, illustration 5

6.1.1 Overflow container

When the oil heats up in the hydraulic motor of the winch, the oil can enter the overflow container via a check valve, but cannot flow back into the hydraulic system after cooling off. For this reason the oil that has collected in the overflow container must be disposed of at regular intervals.

6.2 Hoist gear

Make sure that the following prerequisites are met:

- The hoist gear is inactive.
- The crane is in horizontal position.

6.2.1 Checking the oil level



CAUTION

Danger of gear damage!

If the oil level has dropped below the minimum mark, add oil according to the lubrication chart!

▶ Check the oil level!

▶ Remove and wipe the dipstick **1** off.

▶ Reinsert the dipstick **1** and pull out again.

The oil level must be between the min. and max. marks on the dipstick **1**.

▶ Check the oil level again.

6.2.2 Changing the oil

▶ Unscrew the breather screw **2**.

▶ Remove the oil drain plug **3** with seal ring and drain the oil into a suitable container.

▶ Reinstall the oil drain plug **3** with new seal ring and tighten.



Note

▶ Remove the dipstick **1** to open the oil filler port!

▶ Add oil at oil filler port according to the lubrication chart.

▶ Reinstall the breather screw **2** and tighten.

▶ Check the oil level as described above.

1

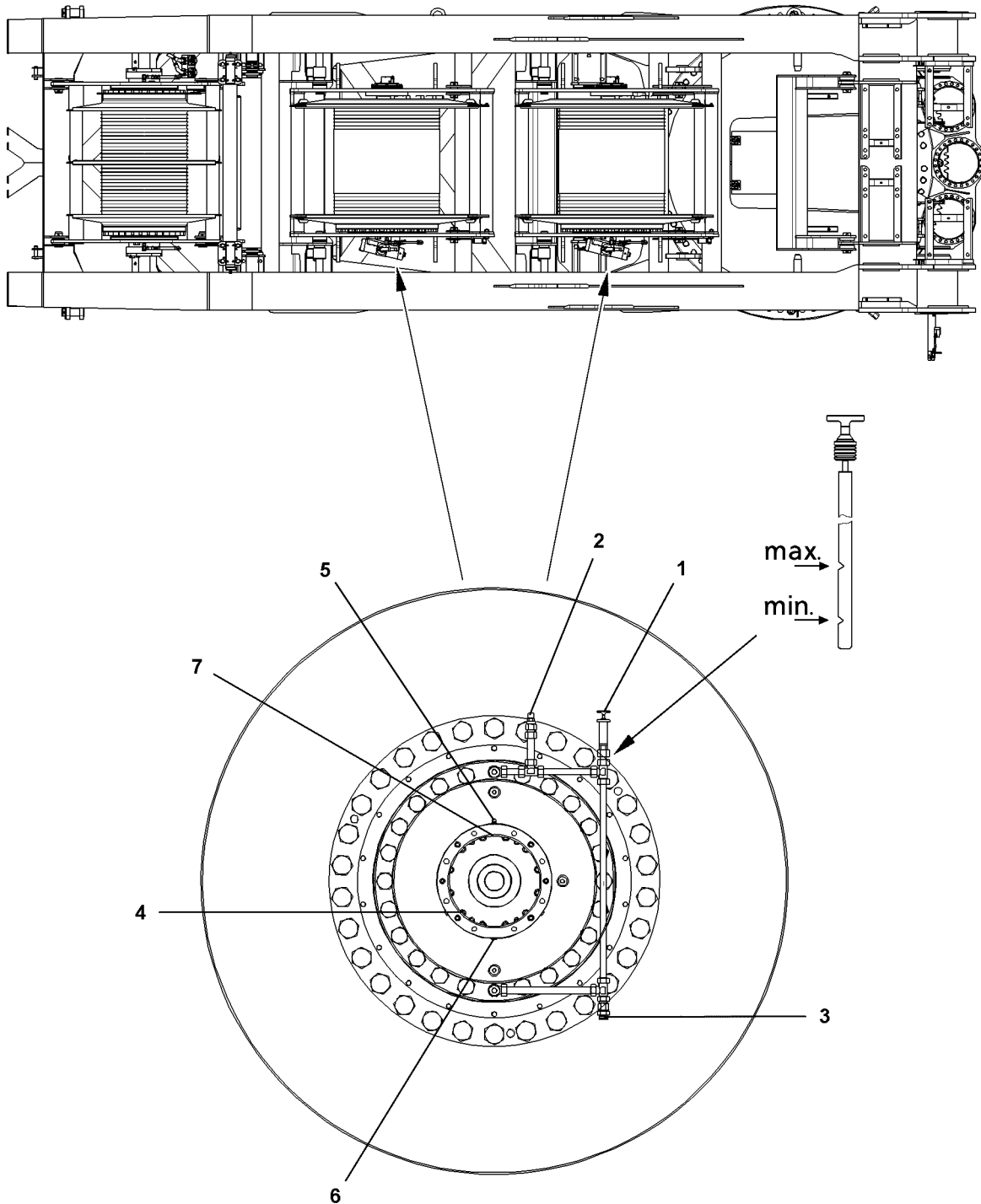


Fig.102657

LWE/LR 11350-005/19004-04-02/en

6.3 Hoist gear brake

Make sure that the following prerequisites are met:

- The hoist gear is inactive.
- The crane is in horizontal position.

6.3.1 Checking the oil level

- ▶ Remove screw **4**.

The oil level must reach the edge of the bore.

- ▶ Perform a visual inspection.



CAUTION

Danger of gear damage!

If the oil level is too low, the gear can be damaged!

- ▶ If the oil level has dropped, add the oil as specified in the lubrication chart until it overflows on the filler port!
-
- ▶ Clean the sealing surfaces on the housing and on the plug.
 - ▶ Reinstall the screw **4** and tighten.

6.3.2 Changing the oil

- ▶ Remove the oil filler plug **5** and clean the sealing surface.
- ▶ Remove the oil drain plug **6** with seal ring and drain the oil into a suitable container.
- ▶ Clean the oil drain plug **6** and sealing surface on the housing.
- ▶ Reinstall the oil drain plug **6** with new seal ring and tighten.
- ▶ Add oil at the oil filler port as specified in the lubrication chart until the oil begins to overflow at the port **4**.
- ▶ Clean the oil filler plug **5** and reinstall it with a new seal ring and tighten.
- ▶ Check the oil level as described above.

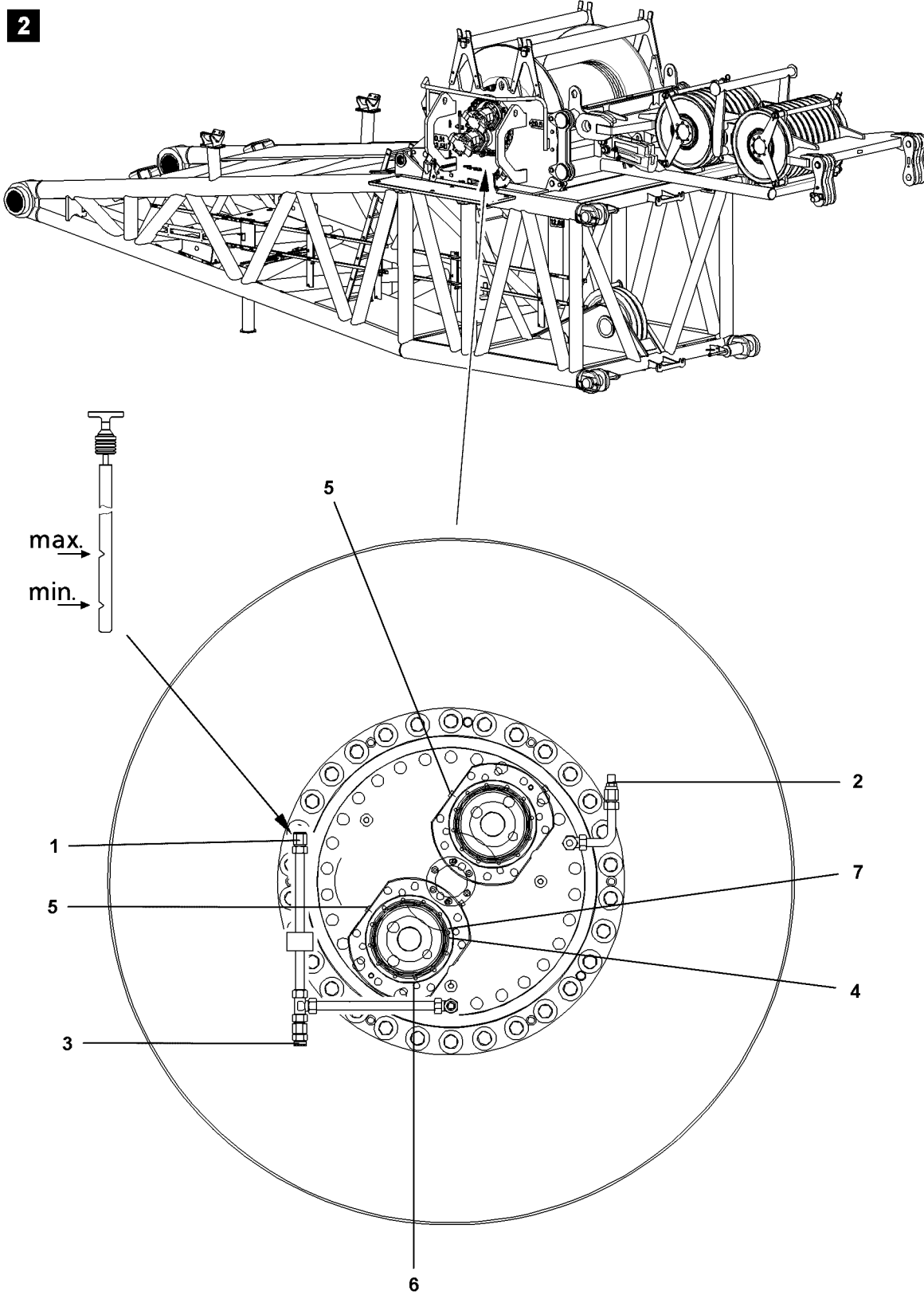
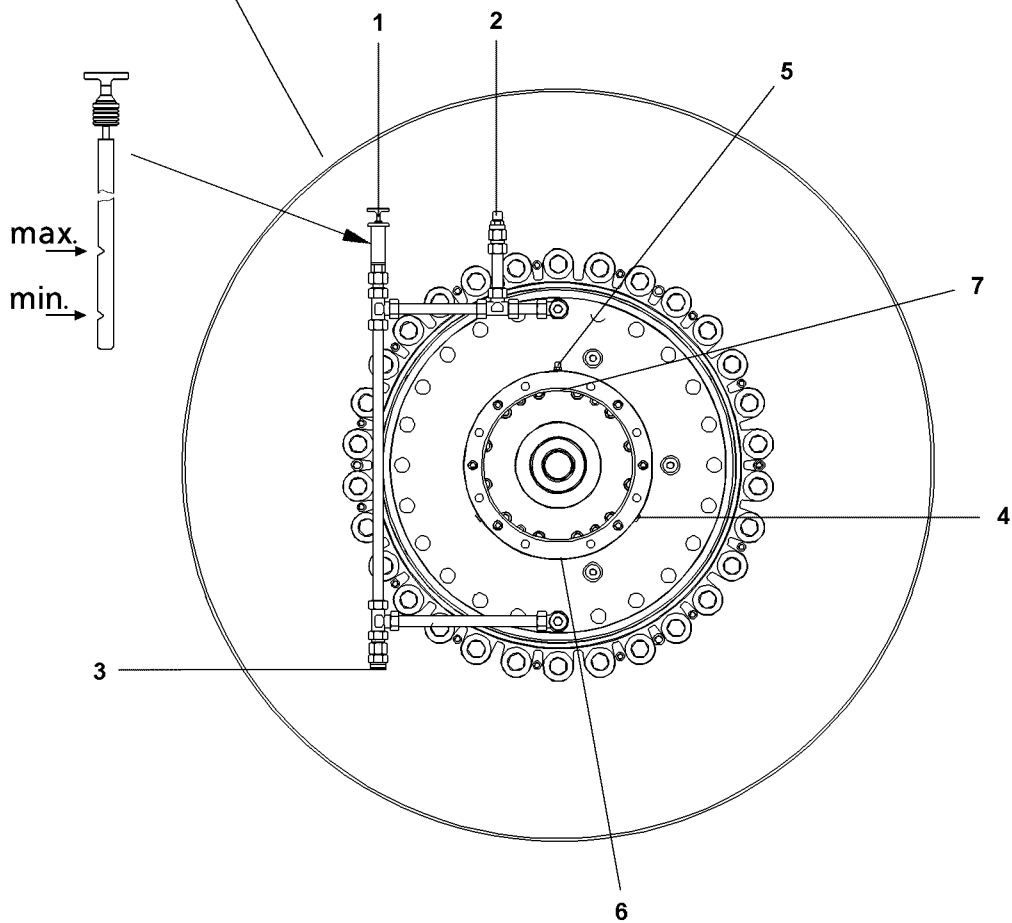
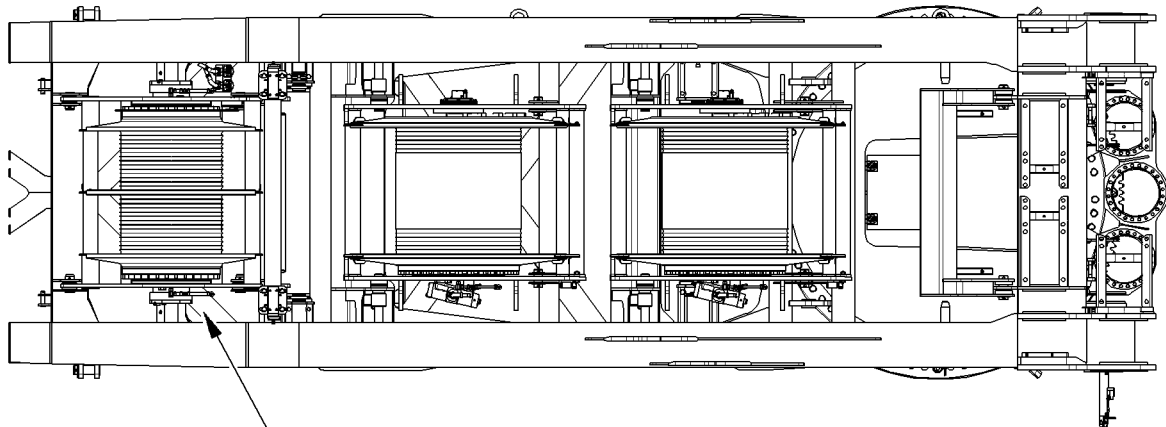


Fig.102658

LWE/LR 11350-005/19004-04-02/en

3



LWE/LR 11350-005/19004-04-02/en

Fig.102659

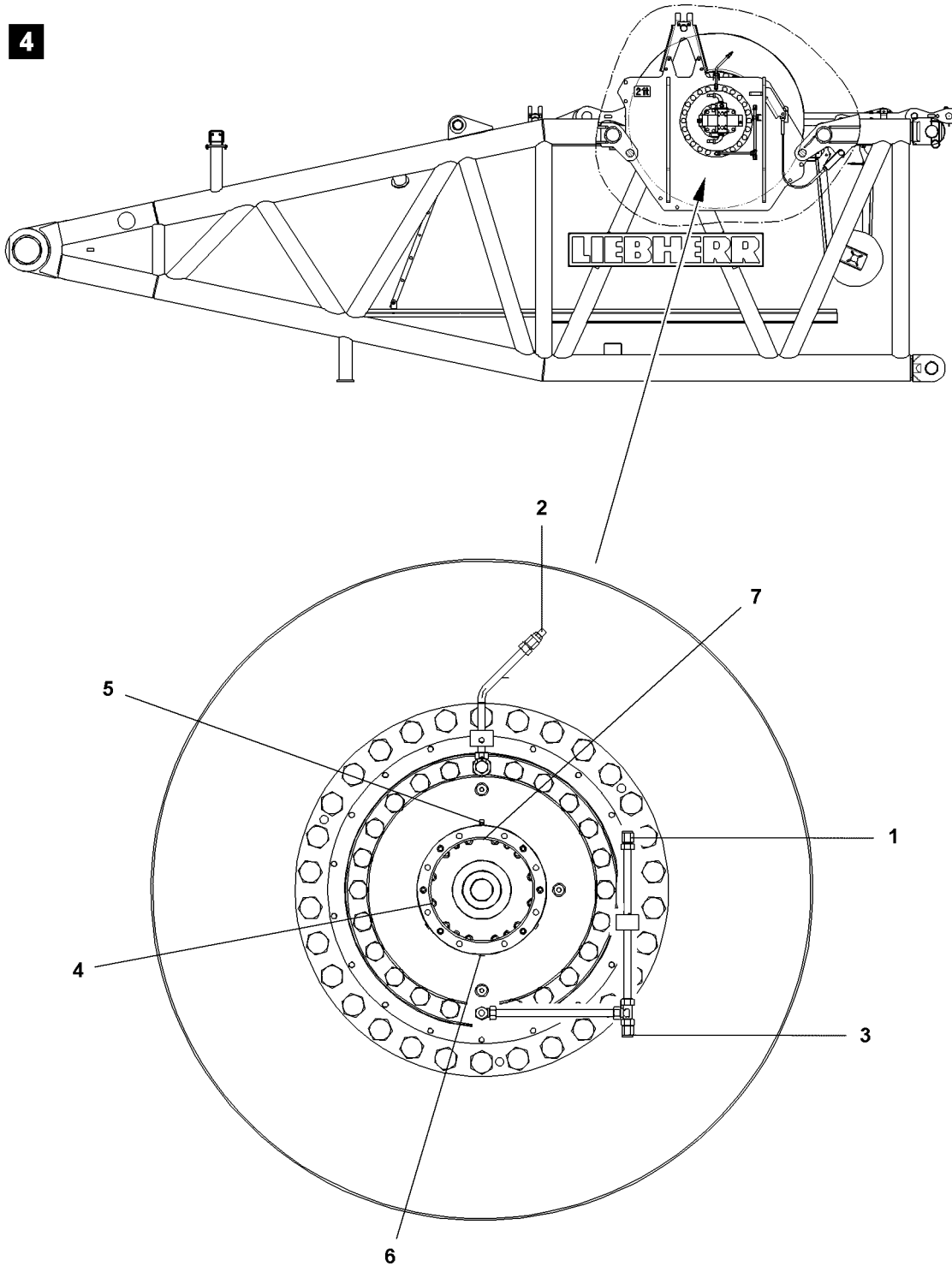
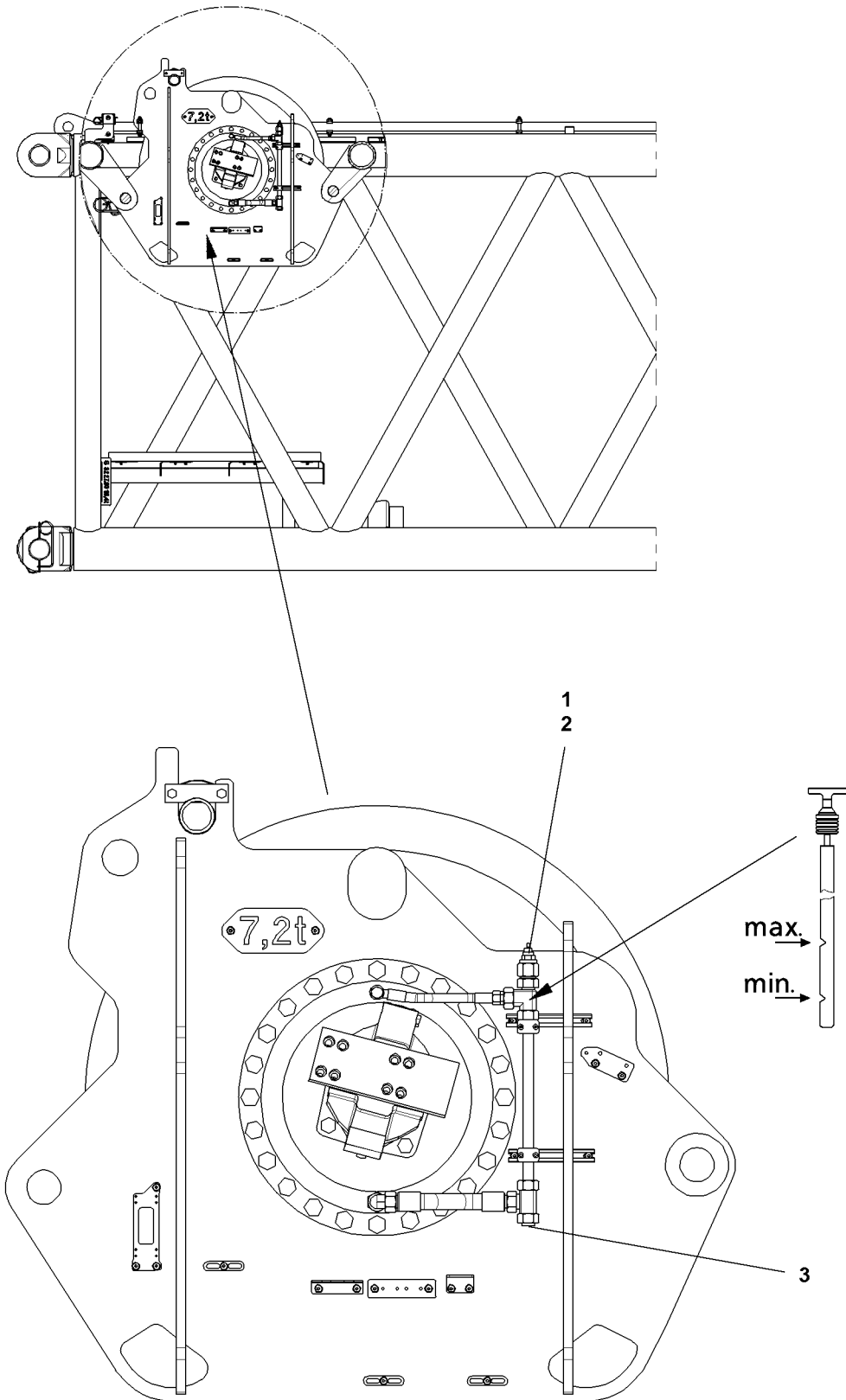


Fig.102660

5



LWE/LR 11350-005/19004-04-02/en

Fig.102661

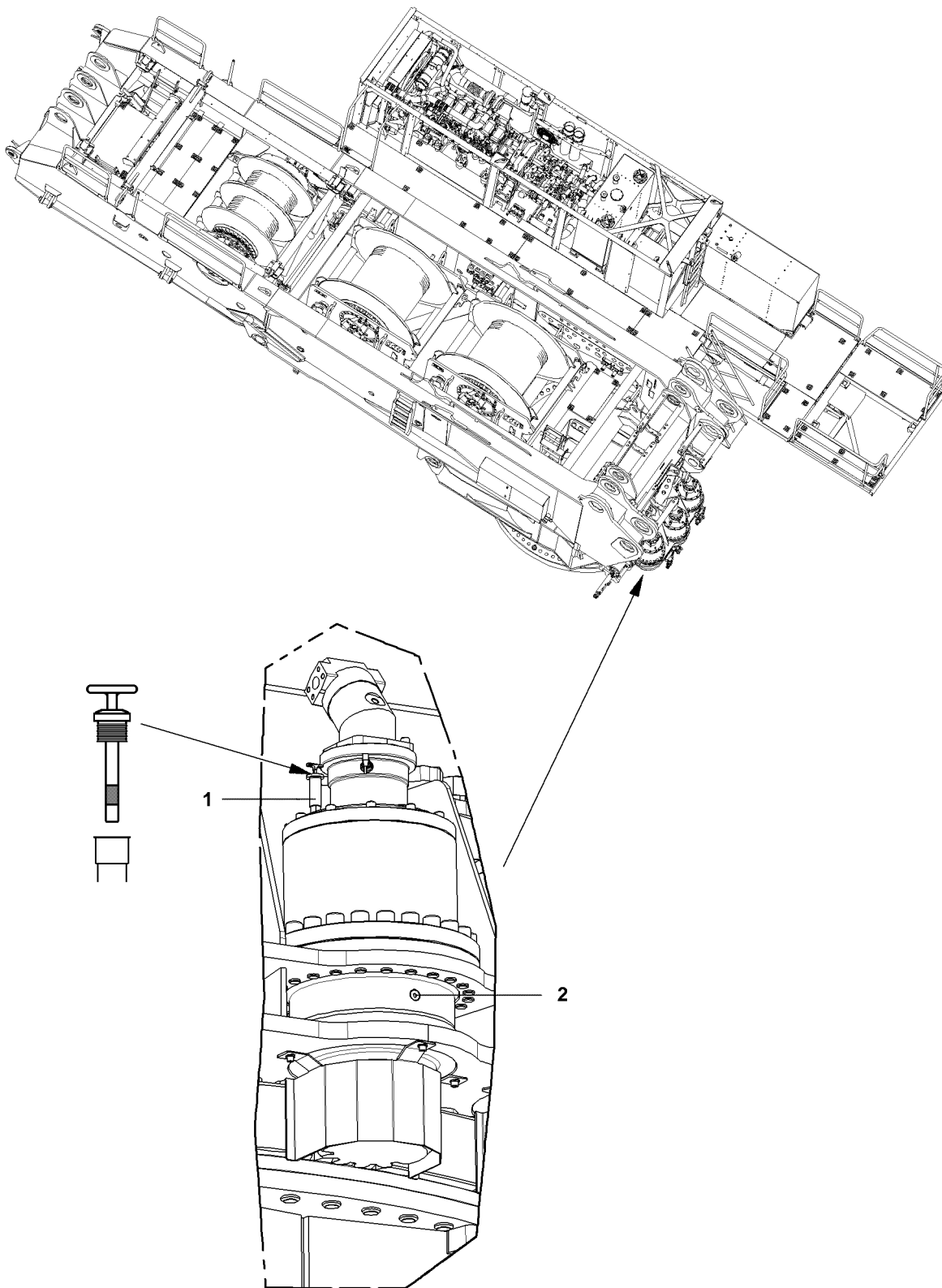


Fig.102666

LWE/LR 11350-005/19004-04-02/en

7 Slewing gear

Maintain utmost cleanliness during all work to prevent any dirt from entering the inside of the gear.

7.1 Checking the oil level

Make sure that the following prerequisites are met:

- The crane is in horizontal position.



CAUTION

Danger of gear damage!

If the oil level has dropped below the lower notch, then the gear can be damaged!

- ▶ Add oil according to the lubrication chart until the oil level is between the two notches!

- ▶ Add oil and check again!

- ▶ Remove the dipstick **1** and wipe it off.

- ▶ Reinsert the dipstick **1** and pull it out again.

The oil level must be between the two notches on the dipstick **1**.

- ▶ Check the oil level.

- ▶ Reinsert the dipstick **1**.

7.2 Changing the oil

Make sure that the following prerequisites are met:

- The crane is in horizontal position.

- The gear is warm.

- ▶ Open the oil filler port by unscrewing the dipstick **1**.

- ▶ Remove the oil drain plug **2** with the seal ring and drain the oil.

- ▶ Clean the oil drain plug **2** and sealing surface on the housing.

- ▶ Install the oil drain plug **2** with new seal ring and tighten.

- ▶ Add oil as specified in the lubrication chart on the oil filler port until the oil level is between the two notches on the dipstick **1**.

- ▶ Close the oil filler port by screwing in the dipstick **1**.

- ▶ Check the oil level as described above.

8 Electrical system - Lighting

The maintenance of the electrical system is essentially limited to replacing defective fuses and bulbs and maintaining the batteries.

NOTICE

Damage to electrical system!

Never short circuit defective fuses with wire or similar items!

- ▶ Always replace defective fuses with fuses of the same amperage!

- ▶ If there is a repeat problem with the same fuse, check the electrical system!

8.1 Battery maintenance



DANGER

Risk of fatal injury!

- ▶ Always disconnect the batteries from the power circuits when working on the electrical system of the crane and during all welding work!

- ▶ Keep batteries dry and clean.
- ▶ Do not bring oil, grease, fuel or solvents into contact with the battery casting compound.
- ▶ Release dirty terminals, clean and grease them with an acid-free and acid-resistant grease.
- ▶ Check the acid levels in batteries at least once a year. In summer and in hot climate zones, check it at least twice a year.
- ▶ On conventional batteries, check electrolyte level at regular intervals and add distilled water to the specified „Max mark“, if necessary.

When adding distilled water:

- ▶ Measure the acid concentration only after 30 minutes. The acid temperature for measuring should be + 20 °C if possible.

Proceed as follows when checking the battery charge:

Specific weight	Charge condition
1.28/1.23*	Well charged
1.20/1.16*	Semi-charged, recharge
1.12/1.08*	Discharged, recharge immediately

* in tropical countries

Reduced battery performance requires greater power requirements.

- ▶ Ensure that batteries are well charged, particularly during the colder months.

8.2 Mixing battery acid

- ▶ Ensure that work area is well ventilated.



DANGER

Risk of explosion!

- ▶ When mixing battery acid, always pour distilled water into the container first, then the concentrated sulphuric acid!
- ▶ Observe this order, otherwise explosions and spattering can occur!
- ▶ Stir the mixture with an acid-proof stick (glass or plastic).

Desired acid concentration kg/l	1.23	1.24	1.25	1.26	1.27	1.28
Volume ratio of concentrated sulphuric acid (96 %) to distilled water	1:3.8	1:3.6	1:3.4	1:3.2	1:3.0	1:2.8

When adding the battery acid, the acid level should be 15 mm above the top edge of the battery plates and the temperature of the acid should be approximately 15 °C.

- ▶ Add battery acid to battery.

Wait approximately 20 minutes before connecting the battery. By that time, it will be balanced out.

- ▶ Connect the battery after approximately 20 minutes.

8.3 Removing and recharging the battery



WARNING

Danger of injuries!

- ▶ Do not place tools on batteries and keep open flames away!

8.3.1 Removing the battery

Make sure that the following prerequisites are met:

- The engine is turned off.
- All electrical consumers are turned off.

NOTICE

Damage to alternator!

- ▶ Do not disconnect batteries unless the engine has been turned off!

-
- ▶ Carry out work in well ventilated rooms and avoid sparks.
 - ▶ Disconnect the negative terminal first (ground cable), then the positive terminal.
 - ▶ Remove the battery.
 - ▶ Avoid spark formation caused by electrostatic charge. To avoid this, touch the ground support point in the driver's cab.
 - ▶ Do not tilt or shake the battery.

8.3.2 Recharging the battery

NOTICE

Damage to battery!

- ▶ Recharge only with direct current, the strength of which does not exceed 1/10 of the battery capacity!

Recharging example: A battery with 170 Ah should be charged with a maximum charging current of 17.0 A.

- ▶ Frozen batteries must be thawed out before charging.
- ▶ Remove all plugs before charging.
- ▶ Provide ventilation during charging (risk of oxyhydrogen gas explosion!).
- ▶ Connect the battery to a battery charger (positive to positive and negative to negative).
- ▶ Turn on the battery charger after connecting the battery.

Stop charging immediately if:

- The acid temperature exceeds 55 °C (casing more than warm to the touch).
 - The battery starts to give off gas.
 - The acid concentration or the charging voltage has not changed for 2 hours.
- ▶ Turn the battery charger off after charging, then remove the connector cables individually from battery and battery charger.

8.3.3 Installing the battery

- ▶ Reinstall the battery tightly in the vehicle.
- ▶ Avoid spark formation caused by electrostatic charge. To avoid this, touch the ground support point in the driver's cab.
- ▶ Connect the positive terminal to the battery first, then the negative terminal (ground cable).
- ▶ Check that the terminals are tightly seated (low contact resistance).
- ▶ Grease the terminals and terminal posts with acid-free and acid-resistant grease (use corrosion protection even for modern maintenance-free batteries).

Fig.195219

LWE/LR 11350-005/19004-04-02/en

1 Lattice mast boom



WARNING

Danger of falling!
Death, severe injuries.

- ▶ For all work on the crane where there is a danger of falling, suitable safety measures must be taken, see Crane operating instructions, chapter 2.06.



Note

- ▶ The following illustration is an example and may not exactly match to your crane.

1.1 Lubricating the pin bores on the lattice sections and guy rods

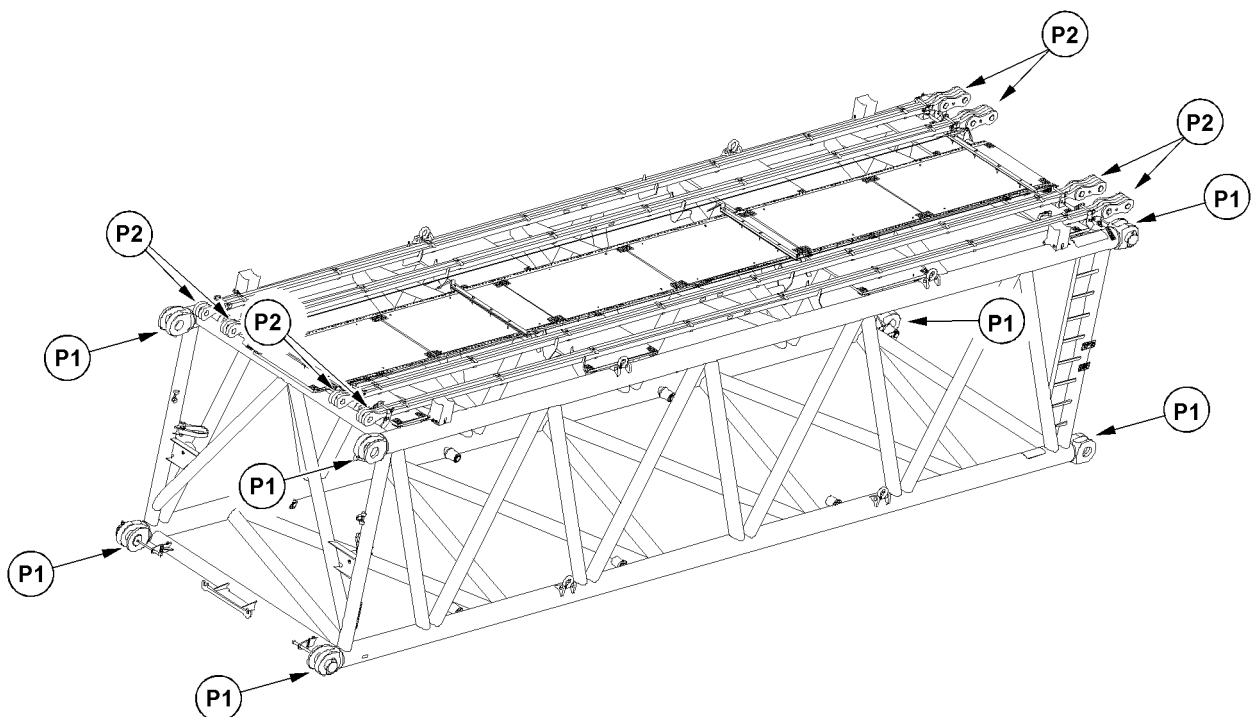


Fig.123861: Lube points on boom lattice sections and guy rods



Note

- ▶ For the pin bores on the lattice sections (points **P1**) and the guy rods (points **P2**), use special grease as lubricant. See Service fill and Crane operating instructions, chapter 7.07.
- ▶ Apply the grease on the pin bores over the entire circumference.
- ▶ The lubrication of the pin bores on the boom lattice sections and the guy rods is made before assembly or after disassembly.

Make sure that the following prerequisites are met:

- The lattice sections are not installed on the crane.
- The lattice sections are playing on a load bearing support on the ground.
- ▶ Grease the pin bores on the boom lattice sections and the guy rods.

2 Rope pulleys and guide pulleys

2.1 Check bearings for easy movement

Stiff or blocked rope pulleys or compensation pulleys wear rapidly and unevenly and cause serious rope abrasion.

Ineffective compensation pulleys can lead to irregular rope tension.

- ▶ Check the rope pulleys for proper movement in their bearings.

When rope pulleys are **not** easily moveable in their bearings:

- ▶ Fix the bearings.

2.2 Checking for mechanical damage

Ropes can cause mechanical damage, such as stress marks.

- ▶ Check guide pulleys and rope pulleys for mechanical damage.

3 Crane ropes

3.1 Personal protective equipment



WARNING

Injury due to wires and skin irritation due to lubricant!

- ▶ When working with ropes, always wear work gloves.



WARNING

Injuries if protective equipment is **not** worn!

- ▶ Wear hard hat, safety shoes and safety glasses.

3.2 Safe and problem-free operation



WARNING

Wear, overload, incorrect use, damage, improper maintenance!

Failure of ropes. Death, severe injuries, property damage.

- ▶ Prevent failure of ropes: Observe and adhere to the following notes.

Carry out the following measures to ensure safe and problem-free rope operation.

- Service ropes and rope end connections regularly according to the maintenance intervals.
- Check ropes and rope end connections regularly according to the inspection intervals.
- When it is determined that the ropes should be withdrawn from service, do **not** continue to use them further.
- Exclude contact of rope with components except rope drive elements.
- Exclude contact of rope with structural parts, power lines or other objects within the surrounding area.
- Avoid corrosive and chemical surroundings.
- Avoid excessive soiling.
- Avoid excessive heat influence.
- Ensure proper condition of all elements of rope drive.
- Ensure proper spooling formation on the rope drum.
- Use the entire rope length of hoist ropes.
- Avoid slack rope formation on the drum.
- Do **not** bring outer twists into the rope.
- Avoid shock relief of the rope, such as sudden set down of the load.

- Avoid **non-permissible** angular pull, for example by pulling the load at an angle.

3.3 Temperature operating limits

Adhere the temperature operating limits for steel ropes. The determining factors are wire material, lubricant, rope end connections. See Manufacturer's specifications.

3.4 Qualification Maintenance personnel

Make sure that the following prerequisites are met:

- The maintenance personnel is trained and instructed in maintenance tasks.
- The maintenance personnel is assigned (authorized) for the maintenance by the crane operator.

3.5 Damage on rope

Rope removal criteria: If severe damage reduces the operational safety, then the rope can reach the removal criteria.

This section provides an overview for possible damage on the rope. For clearer illustration, the distortions on the illustrations are exaggerated.

The displayed ropes show a condition, which is far above the removal criteria.

Damage on the rope causes uneven load distribution in the affected areas.

Damage on the rope is most often localized.

Typical examples for damage, which can be recognized during maintenance work:

- Broken strands
- Wire breaks
- Reduction of rope diameter
- Localized increase of rope diameter
- Corrosion
- Flattenings
- Corkscrew-like distortion
- Basket formation
- Protruding, distorted inlay or braiding
- Loop formation
- Kinking, rope loops (grommets) pulled closed
- Buckles
- Influence of heat or electrical voltage, such as arcing

3.5.1 Broken strands

A strand consists of several individual wires.

When a complete braid is broken, then the rope must be taken down.

3.5.2 Broken wire

Externally visible broken wires are the result of wear caused by operation.

Additional types of broken wires:

- Broken wire in the inside of the rope
- Broken wire in the strand valleys
- Broken wire on a rope connection

A broken wire does not endanger the safety of the rope.

3.5.3 Reduction of rope diameter

The rope diameter changes due to abrasion, settling and external influences.

Abrasion of cover wires of outer strands of rope due to frictional contact. Especially in those areas where ropes are in contact with the rope pulleys during start up or slow down of the load.

Wear is increased by lack of or incorrect lubrication and the effect of dust.

Abrasion reduces the tensile strength of steel ropes because the cross section of the steel is reduced.

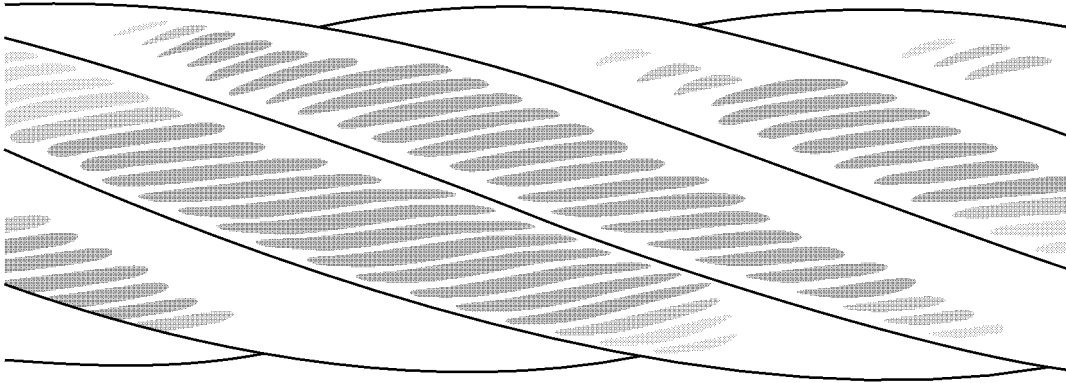


Fig.121001: External abrasion on the rope

When the rope diameter is reduced, the rope must be checked by **expert personnel for crane rope inspection**.

3.5.4 Localized increase of rope diameter

An increase, which occurs over a longer area of the rope can be caused by absorption of moisture in the fiber insert or due to corrosion in the inside of the rope.

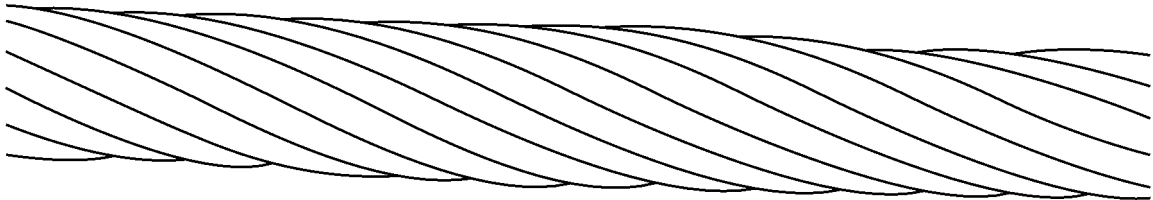


Fig.120992: Increase of rope diameter

When a localized increase of the rope diameter is present, then the rope must be checked by **expert personnel for crane rope inspection**.

3.5.5 Corrosion

Corrosion occurs due to insufficient lubrication, in maritime climates and in an atmosphere polluted by industrial fumes.

External corrosion is indicated by a rough wire surface. A superficial rust film can be wiped off.

Significant corrosion reduces the strength and elasticity of the rope due to the reduction of the rope diameter.

Inner corrosion is hard to detect.

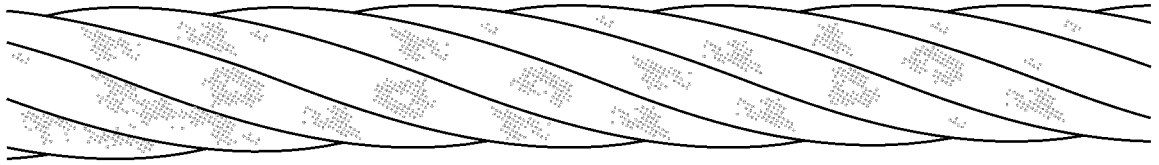


Fig.120994: External corrosion

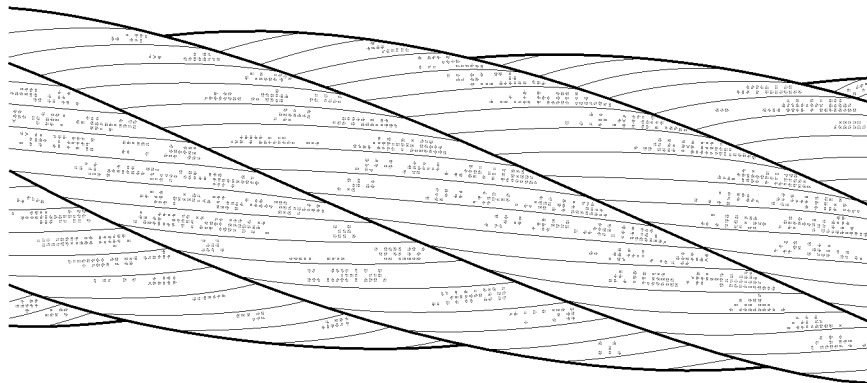


Fig.120995: Magnification of external corrosion for better depiction

When significant corrosion is present, the rope must be checked by **expert personnel for crane rope inspection**.

3.5.6 Flattening

Flattening occurs when the rope runs through the rope pulleys. In this area the rope wears quicker. Corrosion occurs faster on retaining ropes and guy ropes.

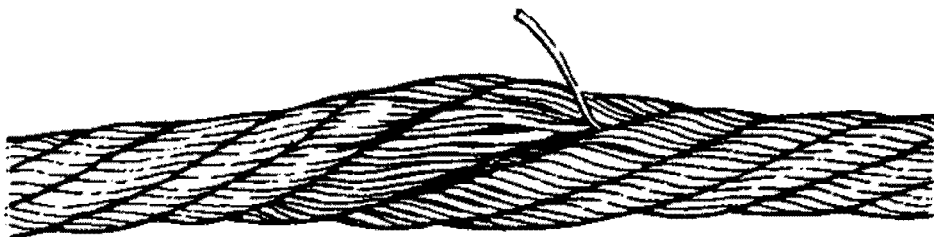


Fig.120997: Localized limited flattening, which leads to broken wires (single layer rope)

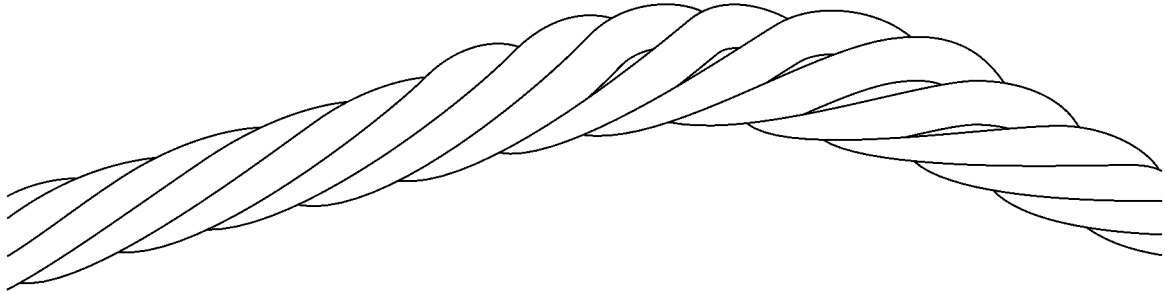


Fig.120996: Flattenings on multi layer spoolings

When flattening is present, the rope must be checked by **expert personnel for crane rope inspection**.

3.5.7 Corkscrew-like distortion

Distortion where the rope is in the form of a corkscrew along its longitudinal axis.

Corkscrew-like distortion causes rope wear, broken wires and bearing damage on rope pulleys.



Fig.120988: Corkscrew-like distortion

When corkscrew-like distortion is present, the rope must be checked by **expert personnel for crane rope inspection**.

3.5.8 Basket formation

This distortion occurs due to different layers between the outer strand layers and the inside of the rope.

Causes for basket formation are high angular pull angles during the run over the rope pulleys and run-in rope pulleys. Even load distribution over the entire cross section is not possible.

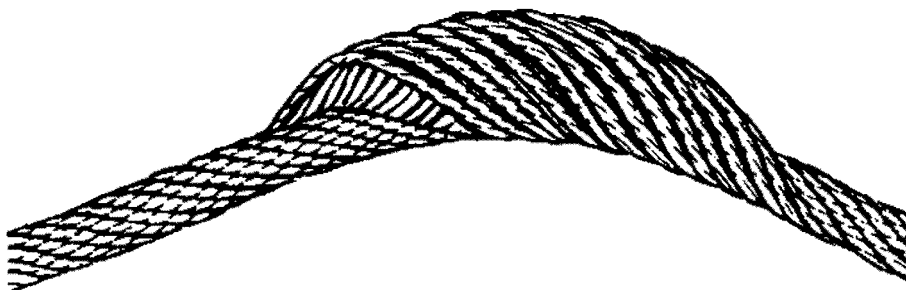


Fig.120989: Basket formation

When basket formation is present, then the rope must be taken down.

3.5.9 Protruding, distorted inlay, braiding

This distortion is a special form of basket formation: The insert or the core of the rope protrudes between the external braids or an external braid protrudes from the rope banding.



Fig.120990: Protrusion of an insert (rope single layer)



Fig.120991: Distorted or protruding strand

When the insert or a strand protrudes or is distorted, place the rope down. Have **expert personnel for crane rope inspection** check if the rope area with the distortion can be removed.

3.5.10 Loop formation

At loop formation individual wires protrude from the rope banding, when no broken wire ends can be seen.

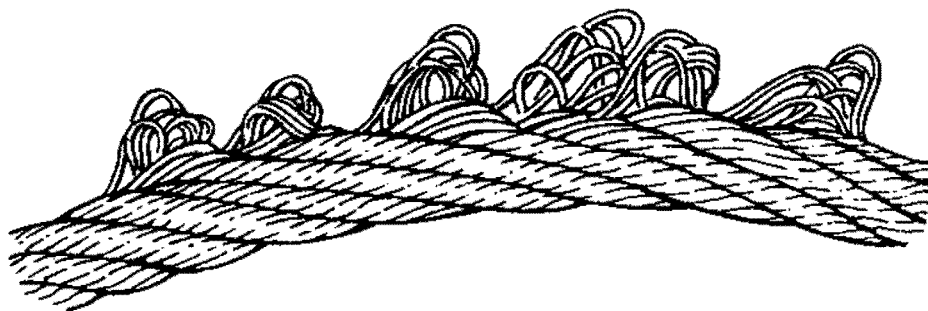


Fig.120993: Emergence of individual wires

When loop formation is present, take the rope down.

3.5.11 Kinking, rope loops (grommets) pulled closed

Deformation, where a loop has formed in the rope, without the possibility to rotate around its own axis during a load. The rope is subjected to more wear.

The rope is deformed. The strength remains only in part.

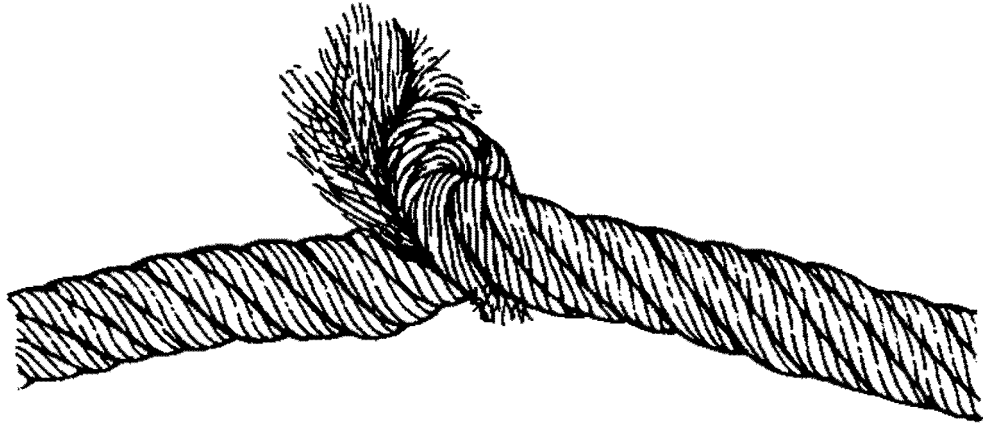


Fig.120998: Severe kinking or knots

When kinking or rope loops are present, place the rope down.

3.5.12 Buckles

Buckles are angular deformations. The rope was damaged due to external influences. Strong deformations of the rope cause stronger wear.

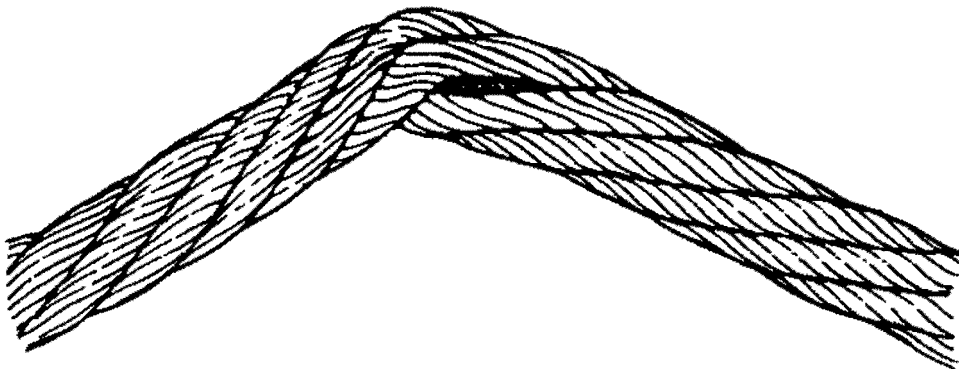


Fig.120999: Severe buckle

When buckles are present, take the rope down.

3.5.13 Effects of heat, arcs

Damage caused to the rope by welding work, for example.

Unusual heat impact is visible by tempering colors and loss of lubricant.

When heat impact has occurred on the rope, then the rope must be taken down.

3.6 Checking the ropes



WARNING

Operation with damaged rope!
Failure of rope. Death, severe injury, property damage.

When damage, wear and deformations are present:

- ▶ Have **expert personnel for crane rope inspection** determine if the rope has to be taken down.

The following sections describe the tasks for **daily visual inspection**.

The crane operator can carry out a daily visual inspection if he is sufficiently trained in the tasks and considered to be able to do so.

3.6.1 Intervals

Intervals and situations where the daily visual inspection must be made:

- Daily, before starting to work
- In case of change of the reeving of the crane rope due to
 - Transport
 - New reeving
 - Removal and installation

3.6.2 Areas

The rope must be checked over the entire length.

The following areas must be checked with special diligence:

- Rope end connections
- Safety coils and fixed point on the winch
- Areas of the rope which run through the hook block
- Areas of the rope which run over the rope pulleys or laying on the rope pulleys
- Areas of the rope which are spooled on the winch, especially cross over areas
- Areas of the rope which are laying above the compensation pulleys
- Areas of the rope which are subjected to abrasion due to external components
- All areas of the rope which are subjected to temperatures above 60°C

3.6.3 Documentation of rope condition

Every visible change of the wire rope must be documented in the crane records.

3.6.4 Checking the lubrication



WARNING

Missing lubrication!

Functional problems. Inner and outer corrosion.

- ▶ Lubricate the rope regularly.
- ▶ Make sure that the rope is lubricated all around.
- ▶ Select manual or automatic lubrication procedures.

The lubrication must be checked at least once a **month**.

When the rope shows signs of drying out:

- ▶ Lubricate the rope, see section „Lubricating the rope“.

3.6.5 Check for wear and distortion

- ▶ Check all visible parts of the rope for wear and distortion.
- ▶ Check the rope end connections and fixed points especially carefully for wear, damage, cracks and distortion.
- ▶ Check pressed together rope end connection for slipping and traces on the rope.



Note

- ▶ The maximum permissible number for broken wires over a certain rope length may not be exceeded.
- ▶ Determine the maximum permissible number of broken wires, see Crane operating instructions, chapter 8.04.
- ▶ Check the rope end connection and rope area near the rope end connection for broken wires.

When broken wires are present on the rope:

- ▶ Remove the broken wire, see section „Removing broken wires“.

When broken wires or damage is present on the rope end connection:

- ▶ Document visible changes of the rope condition.
- ▶ Have the rope checked by **expert personnel for crane rope inspection**.

When the rope can be shortened without reducing the operational safety:

- ▶ Shorten the rope, see section „Shortening the rope“.

3.6.6 Checking the rope drive for spooling problems

Lacking pretension of the rope on the winch can cause spooling problems in multi layer spooling.

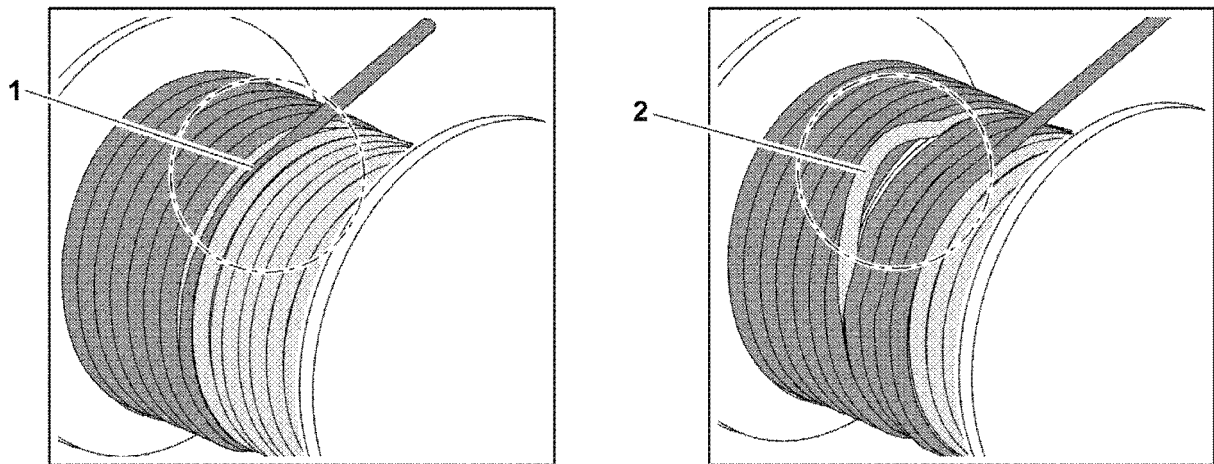


Fig.120967: Possible spooling problems on the rope winch

- 1** Cutting into the lower rope layers **2** Loop formation in the lower rope layers

- ▶ Check the spooling behavior of rope on the rope winch for cutting into the lower rope layers **1**.
- ▶ Check the spooling behavior of rope on the rope winch for loop formation in the lower rope layers **2**.

When spooling defects are found:

- ▶ Renew the pretension, see section „Renewing the pretension of hoist ropes“.
- ▶ Document visible changes of the rope condition.
- ▶ Have the rope checked by **expert personnel for crane rope inspection**.

3.6.7 Checking the position

- ▶ Check the correct position of the rope on the rope pulleys.

When the rope is **not** correctly laying on the rope pulley:

- ▶ Have the rope and rope pulley checked by **expert personnel for crane rope inspection**.

3.6.8 Checking for corrosion

A superficial „rust film“ can be wiped off.

- ▶ Do **not** clean the rope with solvents or cleaners.
- ▶ Clean the rope solely with a wire hand brush.
- ▶ Check rope for corrosion.

When the rope shows a rough surface:

- ▶ Document visible changes of the rope condition and have the rope checked by **expert personnel for crane rope inspection**.

- If there is any uncertainty regarding the condition of the rope:
- ▶ Place the rope down or contact Liebherr Service.

3.6.9 Checking for flattenings

In the cross over area of the spooled up rope layers on the winch the rope is stressed more. The rope can be flattened as a result.

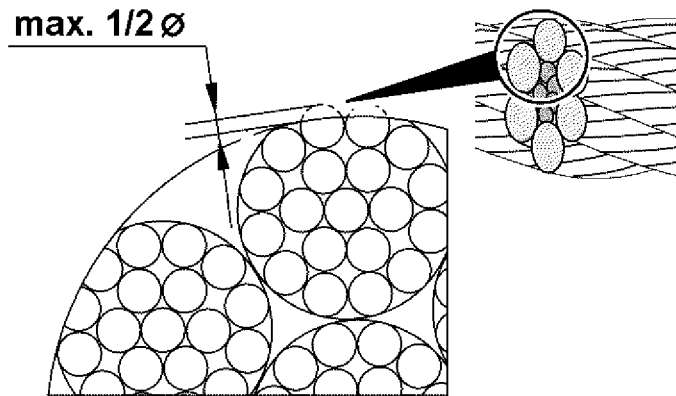


Fig.120966: Maximum flattening of wires on the outer strands

- ▶ Check the rope in the ascent zones of the rope spooling on the winch for flattenings.

When the outer braids are flattened more than half of the wire diameter:

- ▶ Document visible changes of the rope condition.
- ▶ Have the rope inspected by **expert personnel for crane rope inspection** or place the rope down.

When the rope can be shortened without reducing the operational safety:

- ▶ Shorten the rope on the rope drum fixed point, see section „Shortening the rope“.

3.7 Checking the control rope for distortions

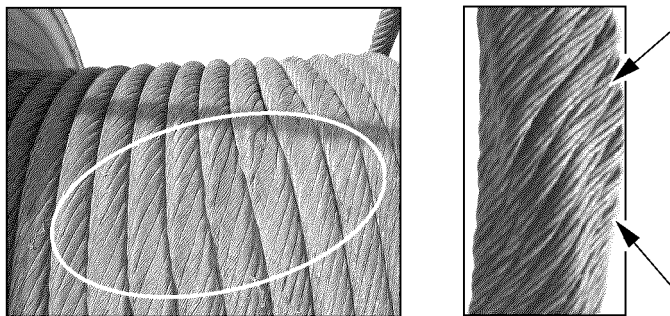


Fig.114002: Distortion on control ropes

- ▶ Check the first rope layer of the control rope for crushed areas and distortions.

When distortions are present:

- ▶ Have the rope checked by **expert personnel for crane rope inspection**.

3.8 Lubricating the rope



WARNING

Missing lubrication!

Functional problems. Inner and outer corrosion.

- ▶ Lubricate the rope regularly.
- ▶ Make sure that the rope is lubricated all around.
- ▶ Select manual or automatic lubrication procedures.

NOTICE

Too much or incorrect lubricant!

Excessive soiling. Wear on rope, on rope pulley and on winch. Recognition of take down criteria is impeded.

- ▶ Use lubricant, which is compatible with the rope and the original lubricant.

- ▶ Do **not** clean the rope with solvents or cleaners.
- ▶ Clean the rope solely with a wire hand brush.

Areas, which must be lubricated especially well are bending zones on winch and rope pulleys.

- ▶ Lubricate the rope.

3.9 Removing broken wires

NOTICE

Broken wires!

Damage of other components in crane operation, for example rope pulleys and compensation pulleys.

- ▶ Remove broken wires.

Make sure that the following prerequisite is met:

- Suitable pliers are on hand.

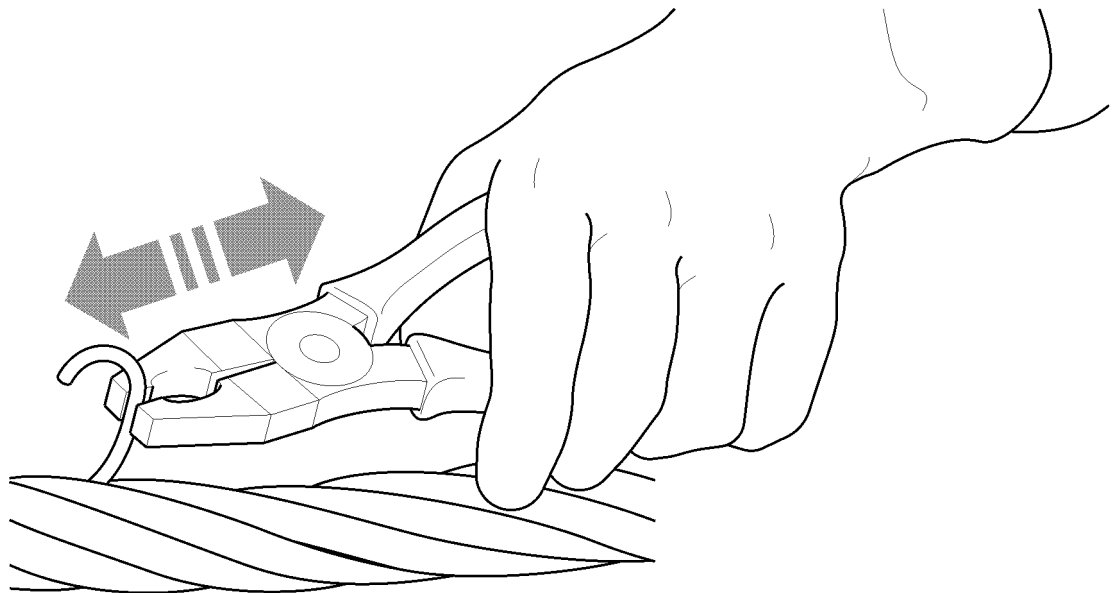


Fig.120979: Remove broken wire

- ▶ Grasp the wire on the upper end with pliers. Bend the wire back and forth until the wire breaks off in the braid valley.

The position of a broken wire is important for subsequent inspection. Individual broken wires are counted and are recorded later in the evaluation for withdrawal from service.

- ▶ Document the position of the broken wires in the crane record. Inspection checklist, see chapter 8.04.

3.10 Turning an extremely rotation-resistant hoist rope out



WARNING

Damage of rope due to incorrect procedure!

- ▶ Use extreme caution for the following procedures.
- ▶ Observe the following instructions exactly.

The cause for the turn-in of the hook block can have various reasons.

Check the crane for the following peculiarities:

- Scrub marks: Are hoist rope scrub marks present on the crane components? If scrub marks are present, check the hoist rope run and correct it.
- Rope pulleys: Did the groove diameter become too small?
 - Groove diameter dimensional stability must be present.
 - If this is not the case, the rope pulley must be replaced.
- Rope lubrication: Has the hoist rope been sufficiently lubricated? If the rope surface is dry, the hoist rope must be re-lubricated.

If the crane does not display other peculiarities, the hoist rope must be spun out.

The following sections describe two methods of how to spin out the hoist rope. The methods must be applied in the described sequence.

3.10.1 Spinning out with single strand reeving

- ▶ Reeve in the single strand hoist rope.
- ▶ Extend the boom to the maximal boom length and hook height.
- ▶ Lower hooks to approximately 1 m above the ground and allow the hoist rope to spin out.
- ▶ With an empty hook block, carry out one complete hoist cycle.
- ▶ Lower the hook again to approximately 1 m above the ground and allow the hoist rope to spin out again.
- ▶ Reeve the number of strands of hoist rope carefully and spin free where the twisting of the hook block is largest.
- ▶ Distribute the spin out to the entire rope length: Run at least two entire hoist cycles at maximum boom length and hook height.



Note

When the hook block continues to turn in:

- ▶ Spin the rope out, see section „Spinning out by turning the hook block out“.

3.10.2 Spinning out by turning out the hook block

Make sure that the following prerequisite is met:

- The hook block is reeved with the number of strands where the twisting is the largest.
- ▶ Extend the boom completely and lower the hook block.
- ▶ Attach a load of approximately 10 % of the nominal rope pull on the hook block.

Before lifting the load, a helper must rotate the twisted hook block to a straight position by hand until the rope strands no longer touch each other.

- ▶ Continue to turn the hook block by one entire turn.

Result:

- The rope strands touch again.

NOTICE

The hook block turns back under load in a straight position!

When the hook block turns back in a straight position:

- ▶ Release the hook block.
-
- ▶ Hold the hook block in the prescribed position until the load lifts off the ground.
 - ▶ Move the load until approximately 15 m before the uppermost hook position of the completely extended boom.
 - ▶ Lower load and set it down.

3.11 Renewing the pretension of hoist ropes

**WARNING**

Lacking pretension of the rope on the winch!

Excessive rope wear in the lower spooling layers, gap formation, rope cutting in.

When the lower rope layers on the winch are hardly used or **not**:

- ▶ Renew the pretension in the entire rope regularly.

Make sure that the following prerequisites are met:

- A reeving is selected where the entire rope length can be spooled.
- Clean spooling pattern on the drum at spooling.

**Note**

Recommendation!

- ▶ The rope application is the most economical when the entire rope length is utilized.

When only a part of the rope length is used for a longer period of time:

- ▶ Use a proportionally shorter rope.
-
- ▶ Spool the rope out until three safety coils.
 - ▶ Spool the rope up with a rope tensile force of 10 % of the maximum rope tensile force.

3.12 Shortening the rope

**WARNING**

Distortions and mechanical damage!

Operational safety significantly disturbed, uneven load distribution within the rope.

- ▶ Have the manufacturer check if the distorted and damaged area can be severed.

Visible form changes often occur localized or in short rope sections.

When a safe operation of the rope is ensured, a distorted and damaged area can be severed.

To shorten the rope there are different prerequisites:

- Rope shows flattenings
- Broken wires occur solely within the area of the rope end connection, the remaining rope is undamaged

**DANGER**

Minimum number of remaining coils on the winch fallen below!

Rope releases or rips off, falling load. Death, severe injury, property damage.

- ▶ Make sure, after shortening the rope that **at least three remaining coils** remain on the winch in all working positions of the crane.

Make sure that the following prerequisite is met:

- The rope was shortened by authorized and trained expert personnel.

Multi layer spooling: When the rope on the fixed point on the winch is shortened by half the winch diameter, then the service life of the rope increases significantly.

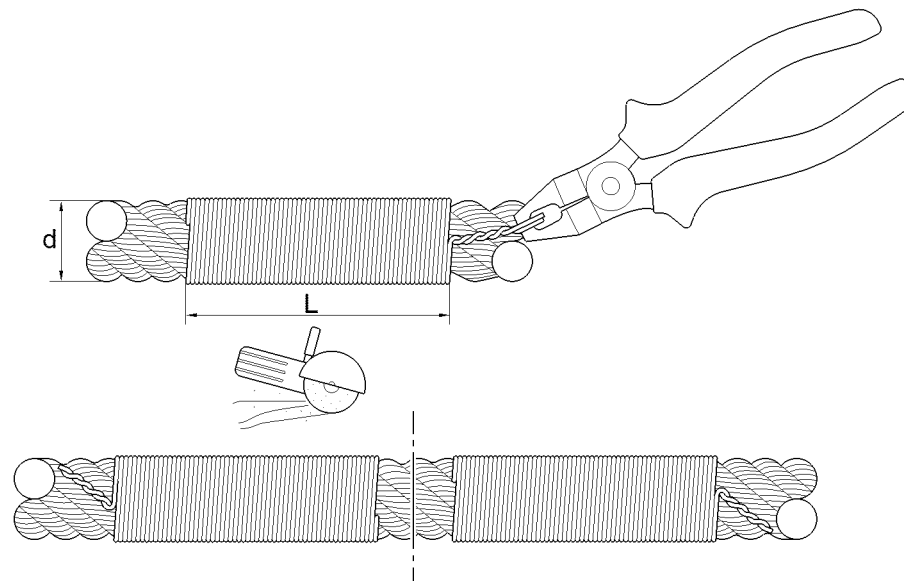


Fig. 120972: Tie the rope before shortening it

d Rope nominal diameter

L Length of tie, at least $2d$

The length of the tie **L** must be at least 2 times the rope nominal diameter ($2d$).

The shortening of the rope in this section applies to a single layer rope. On rotation-resistance, parallel roped ropes it may be necessary to tie several times to prevent the rope from jumping open when it is cut.

- ▶ Tie the rope on both sides with wire.
- ▶ Twist the end of the wire with the pliers to prevent them from releasing.



WARNING

Danger of injury due to flying sparks!

- ▶ Wear safety glasses and safety gloves.

- ▶ Separate the rope vertically to the rope axis.
- ▶ Fasten the end connections on the rope according to the manufacturer's instructions.
- ▶ Remove the tie on both ends of the separation from the rope.

Fig.195219

LWE/LR 11350-005/19004-04-02/en

1 Fill quantities



WARNING

Handling poisonous operating fluids and lubricants!
Poisoning, severe health damage.

When operating fluids are to be used, stored and disposed of:

- ▶ Observe and follow the printed instructions on the original containers.
- ▶ Store operating fluids exclusively in the closed original container.
- ▶ Keep children away from operating fluids. Keep operating fluids away from children.
- ▶ Dispose of operating items and lubricants in an environmentally safe manner.

NOTICE

Damage on aggregates due to impermissible additives!

- ▶ Make sure that **no** impermissible additives are added to the operating fluids.



Note

- ▶ Fill quantities and descriptions of service items and lubricants are specified in the Service fill.
- ▶ Fill the crane chassis, crane superstructure and equipment with the respective operating fluids.
- ▶ The specified fill quantities (change quantities) are orientation values. The marks on the dipsticks, inspection ports and sight gauges are decisive for filling.
- ▶ The equipment depends on the purchased scope of delivery.

On mobile cranes with truck chassis:

- ▶ Observe the maintenance intervals and maintenance notes of the truck chassis manufacturer.

NOTICE

Danger of property damage!

- ▶ Do **not** mix different oil products!
- ▶ Do **not** mix synthetic oils with mineral oils!
- ▶ Adhere to the data in the Service fill!

1.1 Diesel engine

- ▶ Check the engine oil. See Maintenance intervals and maintenance instructions.
- ▶ Adhere to the operating instructions of the engine manufacturer.

1.2 Coolant system

NOTICE

Property damage due to impermissible coolant!

- ▶ Do **not** mix different coolant products.
- ▶ Do **not** thin Liebherr-Fertig-Mix (Liebherr Ready Made Mix).

When adding coolant:

- ▶ Use exclusively the same coolant.

Coolants contain corrosion inhibitor - antifreeze fluid.

Add coolant only on the filler neck. See Service fill.



Note

If the coolant is changed:

- ▶ Contact the Service Dept. at Liebherr-Werk Ehingen GmbH for procedure.
- ▶ Empty the cooling system completely and flush.

In exceptional cases, the coolant can be supplemented with different coolants.

**Note**

Supplementing the coolant with different coolants:

- ▶ Contact the Service Dept. at Liebherr-Werk Ehingen GmbH for procedure.

- ▶ Check the coolant level. See Maintenance intervals and maintenance instructions.

1.3 Transmission

- ▶ Check the gear oil. See Maintenance intervals and maintenance instructions.

1.4 Hydraulic system

**Note**

- ▶ The oil level must be in the center of the hydraulic oil level sight gauge at 20 °C oil temperature.

At lower hydraulic oil temperature:

- ▶ Warm up the hydraulic oil.

At higher hydraulic oil temperature:

- ▶ Cool off the hydraulic oil.
- ▶ Retract all hydraulic cylinders completely, for example luffing cylinder, telescoping cylinder.

On vehicles with level regulation:

- ▶ Lower the vehicle completely with the level regulation.

- ▶ Check the hydraulic oil. See Maintenance intervals and maintenance instructions.

2 Lubrication schedule

**Note**

- ▶ Grease the crane chassis, crane superstructure and equipment with the respective lubricants. See Service fill.
- ▶ The equipment depends on the purchased scope of delivery.

On mobile cranes with truck chassis:

- ▶ Observe the maintenance intervals and maintenance notes of the truck chassis manufacturer.

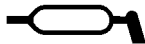


Fig.107729

**Note**

- ▶ Lube points are marked with a symbol.

Empty page!

LWE/LR 11350-005/19004-04-02/en

Fig.195219

LWE/LR 11350-005/19004-04-02/en

1 Specified service items and lubricants for Liebherr cranes

No.	Crane components	Ambient temperature for driving and crane operation	
		-25 °C to +50 °C	-40 °C to +30 °C
1.1	Diesel engine with Exhaust aftertreatment US Tier 4 EU-Stage IV EU-Stage III A Derivat	LWE Id. No.: 10871536 Liebherr Motoroil 5W-30 SAE 5W-30 and ACEA E4 Observe the instructions of the engine manufacturer Below -20 °C with pre-heating	LWE Id. No.: 10871536 Liebherr Motoroil 5W-30 SAE 5W-30 and ACEA E4 Observe the instructions of the engine manufacturer Below -20 °C with pre-heating
1.2	Diesel engine with Exhaust aftertreatment US Tier 4 interim EU-Stufe III B	LWE Id. No.: 10663796 Liebherr Motoroil 10W-40 low ash SAE 10W-40 low ash and ACEA E6 Observe the instructions of the engine manufacturer Below -20 °C with pre-heating	LWE Id. No.: 11100934 Liebherr Motoroil 5W-30 low ash SAE 5W-30 low ash and ACEA E6 Observe the instructions of the engine manufacturer Below -20 °C with pre-heating
Note: To improve the cold start ability of the diesel engine at an ambient temperature below -10 °C , we recommend the use of Liebherr Motoroil 5W-30 low ash, LWE-Id. No.: 11100934			
1.3	Diesel engine without Exhaust aftertreatment as 1.2 or optionally also	LWE Id. No.: 861005308 Liebherr Motoroil 10W-40 SAE 10W-40 and ACEA E4 Observe the instructions of the engine manufacturer Below -20 °C with pre-heating	LWE Id. No.: 10871536 Liebherr Motoroil 5W-30 SAE 5W-30 and ACEA E4 Observe the instructions of the engine manufacturer Below -20 °C with pre-heating
Note: To improve the cold start ability of the diesel engine at an ambient temperature below -10 °C , we recommend the use of Liebherr Motoroil 5W-30, LWE-Id. No.: 10871536			
2	Drive axle with differentials, planetary gear and installed distributor gear	LWE Id. No.: 861901008 Liebherr Gear Hypoid 90 EP SAE 90 and API GL 5	LWE Id. No.: 10425142 Liebherr Syntogear Plus 75W-90 SAE 75W-90 and API GL 5
3	Axle drive ZF DK-7	LWE Id. No.: 861901008 Liebherr Gear Hypoid 90 EP ZF TE-ML 05	LWE Id. No.: 10425142 Liebherr Syntogear Plus 75W-90 ZF TE-ML 05
4.1	Vehicle distributor gear KESSLER VG 1800, VG 2400, VG 2550, VG 2600, VG 3750	LWE Id. No.: 861901008 Liebherr Gear Hypoid 90 EP SAE 90 and API GL 5	LWE Id. No.: 10425142 Liebherr Syntogear Plus 75W-90 SAE 75W-90 and API GL 5

LWE/LR 11350-005/19004-04-02/en

No.	Crane components	Ambient temperature for driving and crane operation	
		-25 °C to +50 °C	-40 °C to +30 °C
	W3750		
4.2	Vehicle Distributor gear with PTO for crane operation KESSLER VG 2700 with PTO VG 3751 mit PTO	LWE Id. No.: 10425142 Liebherr Syntogear Plus 75W-90 SAE 75W-90 and API GL 5	LWE Id. No.: 10425142 Liebherr Syntogear Plus 75W-90 SAE 75W-90 and API GL 5
4.3	Vehicle distributor gear ZF Passau, STEYR PUCH VG 1200, VG 1600, VG 2000, VG 3800	LWE Id. No.: 861901008 Liebherr Gear Hypoid 90 EP ZF TE-ML 19	LWE Id. No.: 10425142 Liebherr Syntogear Plus 75W-90 ZF TE-ML 19
5	Miter gear for crane operation	LWE Id. No.: 10425142 Liebherr Syntogear Plus 75W-90 SAE 75W-90 and API GL 5	LWE Id. No.: 10425142 Liebherr Syntogear Plus 75W-90 SAE 75W-90 and API GL 5
6	Offset gear (drop box) ZF Passau, STEYR PUCH	LWE Id. No.: 861901008 Liebherr Gear Hypoid 90 EP ZF TE-ML 19	LWE Id. No.: 10425142 Liebherr Syntogear Plus 75W-90 ZF TE-ML 19
7.1	Pump distributor gear filled with mineral gear oil	LWE Id. No.: 861901008 Liebherr Gear Hypoid 90 EP SAE 90 and API GL 5	LWE Id. No.: 10425142 Liebherr Syntogear Plus 75W-90 SAE 75W-90 and API GL 5
7.2	Pump distributor gear filled with synthetic gear oil	LWE Id. No.: 861901208 Liebherr Gear PG 220 CLP PG 220, DIN 51517-3 WARNING: May not be mixed with other oils!	LWE Id. No.: 10664125 Liebherr Gear PG 150 CLP PG 150, DIN 51517-3 WARNING: May not be mixed with other oils!
7.3	Pump distributor gear LTC 1055-3.1	LWE Id. No.: 10425142 Liebherr Syntogear Plus 75W-90 SAE 75W-90 and API GL 5	LWE Id. No.: 10425142 Liebherr Syntogear Plus 75W-90 SAE 75W-90 and API GL 5
8.1	Powershift transmission ZF Torque converter transmission WG 120, WG 150, WG 180, WG 181, WG 200, WG 201	LWE Id. No.: 861005308 Liebherr Motoroil 10W-40 ZF TE-ML 03 Below -20 °C run until warm according to operating instructions	LWE Id. No.: 861900608 Liebherr Hydraulic-Gear ATF ZF TE-ML 03 Below -20 °C run until warm according to operating instructions
8.2	Powershift transmission	LWE Id. No.: 861900608	LWE Id. No.: 861900608

No.	Crane components	Ambient temperature for driving and crane operation	
		-25 °C to +50 °C	-40 °C to +30 °C
	ZF torque converter WG 251* ZF ERGOPOWER WG 210, WG 260, WG 310 * also for ambient temperatures above -10 °C	Liebherr Hydraulic-Gear ATF ZF TE-ML 03 Below -20 °C run until warm according to operating instructions	Liebherr Hydraulic-Gear ATF ZF TE-ML 03 Below -20 °C run until warm according to operating instructions
9	Powershift transmission CLARK	LWE Id. No.: 861005308 Liebherr Motoroil 10W-40 SAE 10W-40 and ACEA E4 Below -20 °C run until warm according to operating instructions	LWE Id. No.: 861900608 Liebherr Hydraulic-Gear ATF ATF Dexron II D and ALLISON C4 Below -20 °C run until warm according to operating instructions
10	Offset gear (drop box) ALLISON	LWE Id. No.: 861005308 Liebherr Motoroil 10W-40 SAE 10W-40 and API CF, ACEA E4 Below -20 °C run until warm according to operating instructions	LWE Id. No.: 861900608 Liebherr Hydraulic-Gear ATF ATF Dexron II D or ALLISON C4 Below -20 °C run until warm according to operating instructions
11.1	Automatic transmission ALLISON CLBT 740, CLBT 750, CLBT 754, CLBT 755 HT 755, HD 4560	LWE Id. No.: 861900608 Liebherr Hydraulic-Gear ATF ATF Dexron III or ALLISON C4 Below -20 °C run until warm according to operating instructions	LWE Id. No.: 861903708 CASTROL Transynd ATF Dexron III or ALLISON C4 Below -20 °C run until warm according to operating instructions
11.2	Automatic transmission ZF	LWE Id. No.: 861900608 Liebherr Hydraulic-Gear ATF ZF TE-ML 14 Below -20 °C run until warm according to operating instructions	LWE Id. No.: 861900608 Liebherr Hydraulic-Gear ATF ZF TE-ML 14 Below -20 °C run until warm according to operating instructions
12	Automatic transmission ZF AS-Tronic ZF TC-Tronic (basic gear) ZF TC-Tronic HD (basic gear)	LWE Id. No.: 10218305 ZF-Ecofluid M ZF TE-ML 02	LWE Id. No.: 10218305 ZF-Ecofluid M ZF TE-ML 02 below -20 °C preheat gear according to operating instructions
13.1	Torque converter coupling ZF TC HD	LWE Id. No.: 10218305 ZF-Ecofluid M ZF TE-ML 02	LWE Id. No.: 10218305 ZF-Ecofluid M ZF TE-ML 02

LWE/LR 11350-005/19004-04-02/en

No.	Crane components	Ambient temperature for driving and crane operation	
		-25 °C to +50 °C	-40 °C to +30 °C
			below -20 °C preheat gear according to operating instructions
13.2	Torque converter coupling ZF TC 2	LWE Id. No.: 861900608 Liebherr Hydraulic-Gear ATF ZF TE-ML 14	LWE Id. No.: 861900608 Liebherr Hydraulic-Gear ATF ZF TE-ML 14
14	Gearbox ZF ECO-Split	LWE Id. No.: 10218305 ZF Ecofluid M ZF TE-ML 02	LWE Id. No.: 10218305 ZF Ecofluid M ZF TE-ML 02
15	Slewing gear	LWE Id. No.: 861901208 Liebherr Gear PG 220 CLP PG 220, DIN 51517-3 WARNING: May not be mixed with other oils!	LWE Id. No.: 861901208 Liebherr Gear PG 220 CLP PG 220, DIN 51517-3 WARNING: May not be mixed with other oils!
16.1	Rope winch	LWE Id. No.: 861901208 Liebherr Gear PG 220 CLP PG 220, DIN 51517-3 WARNING: May not be mixed with other oils!	LWE Id. No.: 861901208 Liebherr Gear PG 220 CLP PG 220, DIN 51517-3 WARNING: May not be mixed with other oils!
16.2	Rope winch LR 13000	LWE Id. No.: 11000948 Liebherr Universalfett 9900 KPF2N-25, DIN 51502	LWE Id. No.: 11000948 Liebherr Universalfett 9900 KPF2N-25, DIN 51502
17	Winch of Telescopic boom guying	LWE Id. No.: 861901208 Liebherr Gear PG 220 CLP PG 220, DIN 51517-3 WARNING: May not be mixed with other oils!	LWE Id. No.: 861901208 Liebherr Gear PG 220 CLP PG 220, DIN 51517-3 WARNING: May not be mixed with other oils!
18.1	Crane hydraulics Crane chassis and crane superstructure	LWE Id. No.: 861903508 Liebherr Hydraulic 37 HVLP, DIN 51524-3	LWE Id. No.: 10293807 Liebherr Hydraulic Plus Arctic HVLPD HC, DIN 51524-3
18.2	Crane hydraulics Crane chassis and crane superstructure LTM 11200-9.1 LTR 11200 LR 13000, LR 11000, LR 1600/2, LR 1600/2-W LTC 1055-3.1	LWE Id. No.: 10293807 Liebherr Hydraulic Plus Arctic HVLPD HC, DIN 51524-3	LWE Id. No.: 10293807 Liebherr Hydraulic Plus Arctic HVLPD HC, DIN 51524-3
19	Brake system	LWE Id. No.: 861000108	LWE Id. No.: 861000108

No.	Crane components	Ambient temperature for driving and crane operation	
		-25 °C to +50 °C	-40 °C to +30 °C
	if hydraulically actuated	DOT 4 SAE J 1703e	DOT 4 SAE J 1703e
20	Clutch actuator	LWE Id. No.: 861000108 DOT 4 SAE J 1703e	LWE Id. No.: 861000108 DOT 4 SAE J 1703e
21	King pin bearing Drive shaft if not maintenance-free	LWE Id. No.: 861301308 Liebherr Spezialfett 9610 Plus KP2K-20, DIN 51502	LWE Id. No.: 10296825 Liebherr Universalfett Arctic KPFHC1N-60, DIN 51502
22	Glide and roller bearing roller bearing joint	LWE Id. No.: 861301308 Liebherr Spezialfett 9610 Plus KP2K-20, DIN 51502	LWE Id. No.: 10296825 Liebherr Universalfett Arctic KPFHC1N-60, DIN 51502
23	Central lubrication system	LWE Id. No.: 861301308 Liebherr Spezialfett 9610 Plus KP2K-20, DIN 51502	LWE Id. No.: 10296825 Liebherr Universalfett Arctic KPFHC1N-60, DIN 51502
24.1	Slewing ring connection Roller bearing	LWE Id. No.: 861301308 Liebherr Spezialfett 9610 Plus KP2K-20, DIN 51502	LWE Id. No.: 10296825 Liebherr Universalfett Arctic KPFHC1N-60, DIN 51502
24.2	Slewing ring connection LR 13000	LWE Id. No.: 11000948 Liebherr Universalfett 9900 KPF2N-25, DIN 51502	LWE Id. No.: 10296825 Liebherr Universalfett Arctic KPFHC1N-60, DIN 51502
25.1	Support plate with equalization	LWE Id. No.: 861303608 Liebherr Teleskopfett 9613 Plus KP2K-30, DIN 51502	LWE Id. No.: 861303608 Liebherr Teleskopfett 9613 Plus KP2K-30, DIN 51502
25.2	Glide shoes for cab guidance on vehicle frame LTC 1045-3.1	LWE Id. No.: 861303608 Liebherr Teleskopfett 9613 Plus KP2K-30, DIN 51502	LWE Id. No.: 861303608 Liebherr Teleskopfett 9613 Plus KP2K-30, DIN 51502
26	Sliding beam Plastic glide bearing Beam for track adjustment	LWE Id. No.: 861303608 Liebherr Teleskopfett 9613 Plus KP2K-30, DIN 51502	LWE Id. No.: 861303608 Liebherr Teleskopfett 9613 Plus KP2K-30, DIN 51502
27.1	Telescopic boom Plastic glide bearing Corner guide top	LWE Id. No.: 861303608 Liebherr Teleskopfett 9613 Plus KP2K-30, DIN 51502	LWE Id. No.: 861303608 Liebherr Teleskopfett 9613 Plus KP2K-30, DIN 51502

No.	Crane components	Ambient temperature for driving and crane operation	
		-25 °C to +50 °C	-40 °C to +30 °C
27.2	Telescopic boom Outer glide bearing Lower shell Inner glide bearing (only during assembly)	LWE Id. No.: 861303308 Liebherr Spezialfett 1336 KP2K-30, DIN 51502 Spray grease	LWE Id. No.: 861303308 Liebherr Spezialfett 1336 KP2K-30, DIN 51502 Spray grease
27.3	Telescopic boom LTC 1045-3.1 LTM 1050-3.1	LWE Id. No.: 11651459 Bechem Berulub TCG 1 V	LWE Id. No.: 11651459 Bechem Berulub TCG 1 V
28	Boom lock	LWE Id. No.: 861301308 Liebherr Spezialfett 9610 Plus KP2K-20, DIN 51502	LWE Id. No.: 10296825 Liebherr Universalfett Arctic KPFHC1N-60, DIN 51502
29	Guide rail on Telescoping cylinder	LWE Id. No.: 861303308 Liebherr Spezialfett 1336 KP2K-30, DIN 51502 Spray grease	LWE Id. No.: 861303308 Liebherr Spezialfett 1336 KP2K-30, DIN 51502 Spray grease
30	Gear ring rotary connection Slewing gear drive pinion	LWE Id. No.: 861007708 RHS-Fluid OGPFOS-20, DIN 51502	LWE Id. No.: 861007708 RHS-Fluid OGPFOS-20, DIN 51502
31	Running rope	LWE Id. No.: 10173371 Liebherr WR-Lube SC Adhesive grease	LWE Id. No.: 10173371 Liebherr WR-Lube SC Adhesive grease
32	Radiator fluid Diesel engine and heating system	LWE Id. No.: 10871121 Liebherr Antifreeze OS Mix Pre-mixed corrosion inhibitor / antifreeze WARNING: May not be diluted and / or mixed with other corrosion inhibitors / antifreeze!	LWE Id. No.: 10871121 Liebherr Antifreeze OS Mix Pre-mixed corrosion inhibitor / antifreeze WARNING: May not be diluted and / or mixed with other corrosion inhibitors / antifreeze!
33.1	Travel gears Crawler crane	see data tag	see data tag
33.2	Travel gear LTR 1060 LTR 1100	LWE Id. No.: 861901008 Liebherr Gear Hypoid 90 EP SAE 90 and API GL 5	LWE Id. No.: 10425142 Liebherr Syntogear Plus 75W-90 SAE 75W-90 and API GL 5
33.3	Travel gear LTR 11200	LWE Id. No.: 861901208 Liebherr Gear PG 220 CLP PG 220, DIN 51517-3 WARNING: May not be mixed with other oils!	LWE Id. No.: 861901208 Liebherr Gear PG 220 CLP PG 220, DIN 51517-3 WARNING: May not be mixed with other oils!

No.	Crane components	Ambient temperature for driving and crane operation	
		-25 °C to +50 °C	-40 °C to +30 °C
34	Recovery winch	See data tag and manufacturer's instructions	See data tag and manufacturer's instructions
35	Recovery winch rope	See manufacturer's instructions	See manufacturer's instructions
36	Steering uncoupling LTC 1045-3.1	LWE Id. No.: 10800345 Teflon-Spray	LWE Id. No.: 10800345 Teflon-Spray

Fig.197077

LWE/LR 11350-005/19004-04-02/en

1 Procedure to follow in case of a problem

This chapter is supportive for the following questions:

- What to do in case of a problem?
- Which displays and component groups are relevant for error diagnostics?
- How can an error diagnostics be carried out?
- How to proceed in case of error messages of the LICCON computer system?
- Which measures are to be taken for defective components?
- Which measures are to be taken in clear problem cases?
- Which data is important for communication with Liebherr Service?



WARNING

Erroneous or insufficient repair!

If a crane is not properly or insufficiently repaired, then this can result in accidents!

Personnel can be killed or seriously injured!

This could result in property damage!

- ▶ The crane may only be repaired by authorized and trained expert personnel!



WARNING

Measures without the help of Liebherr Service!

Measures in case of a problem, which are carried out without consulting Liebherr Service can cause damage to the crane!

Personnel can be killed or seriously injured!

This could result in property damage!

- ▶ If problems remain or in case of error messages, consult Liebherr Service to determine the cause of the problem and further procedure.



WARNING

Problems with raised load!

If a crane is checked, diagnosed or repaired with a raised load, then there is a danger of accidents!

During accidents, personnel could be killed or seriously injured!

This could result in property damage!

- ▶ If possible, set the load down!
- ▶ If possible, place down the boom system!
- ▶ If the load cannot be set down and / or the boom system cannot be placed down, secure a wide-ranging danger zone!



Note

- ▶ The display illustrations in this chapter are only examples. The display values may differ depending on the crane. In addition, some illustrations show a display with multiple icons. In normal crane operation, an identical display may **not** appear on the LICCON monitor.

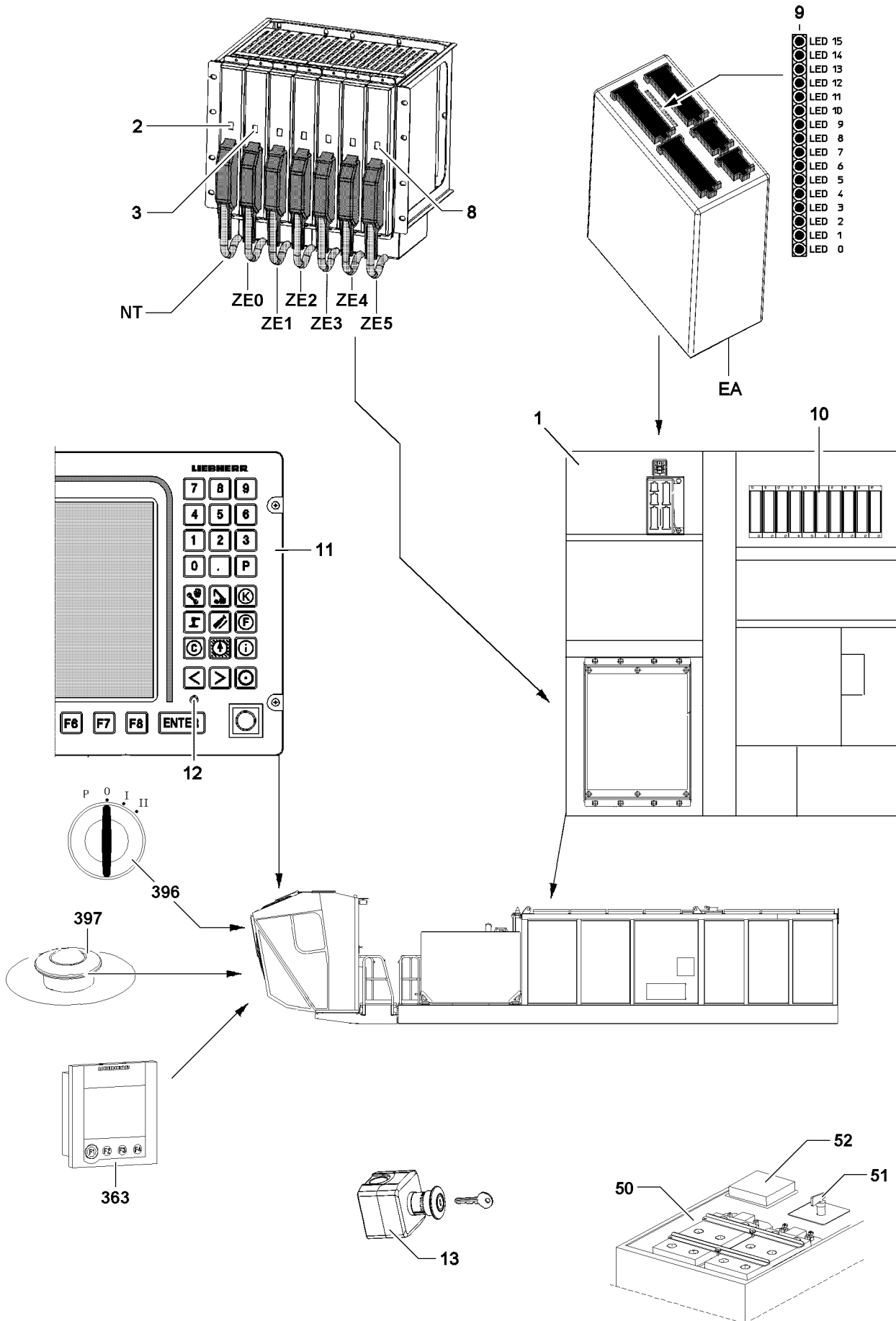


Fig.112965

LWE/LR 11350-005/19004-04-02/en

1.1 Overview of displays and component groups for error diagnostics

Various displays and component groups allow the crane driver:

- To localize error messages.
- To prepare quicker and more precise communication with Liebherr Service.
- To diagnose and remedy errors with the help of the „Diagnostics operating instructions“.



Note

- ▶ If separate Operating instructions have been provided by the supplier as part of the scope of delivery for the crane, then it must be observed!

Position	Crane operator's cab
1	Control cabinet
2	LED display power supply
3–8	LED displays CPU0 to CPU5
9	LED display I / O module
10	Fuses in the control cabinet
11	LICCON monitor
12	LED-display power supply LICCON monitor
13	EMERGENCY STOP switch* (outside the crane operator's cab - illustration example)
50	Battery box (illustration example)
51	Battery master switch (illustration example)
52	Main fuses (illustration example)
363	Touch display
396	Ignition switch
397	EMERGENCY STOP switch in crane operator's cab

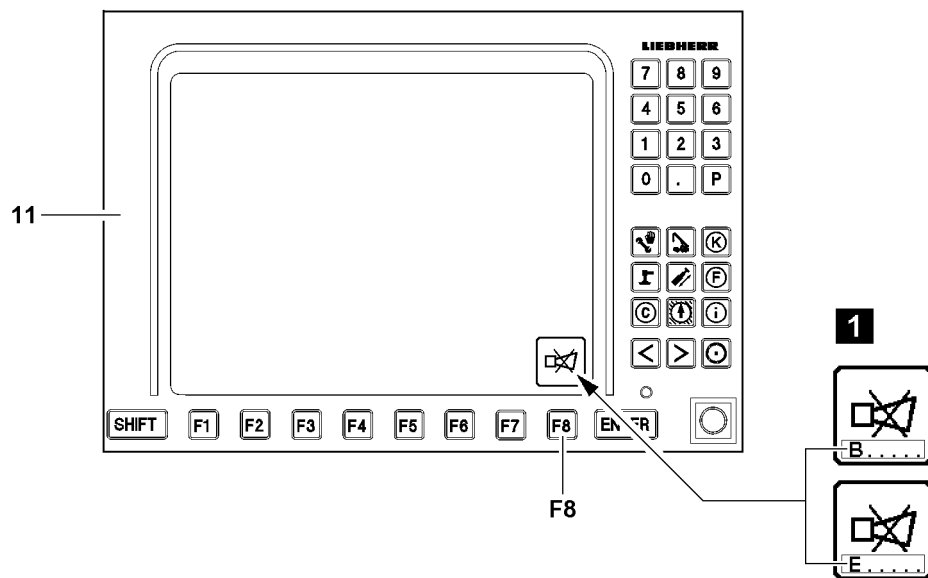


Fig.112963

1.2 Type of problem

Problems can be assigned to various error sources:

- Operating errors
 - Displayed by error number / LEC: B.....
 - to be remedied by crane operator
- System errors in LICCON computer system
 - Displayed by error number / LEC: E.....
 - To be remedied by crane operator / Liebherr Service.
- Errors on mechanics / components
 - To be remedied by crane operator / Liebherr Service.
- Combination of error sources
 - To be remedied by crane operator / Liebherr Service.



Note

LICCON Error Code Manual (LICCON Error code list)

- ▶ In the „LICCON Error Code Manual“ (LICCON error code list) all error numbers / LEC (LICCON Error Code) are listed.

2 Carrying out error diagnostics

The crane is monitored:

- By the LICCON computer system for operating / system errors.
- By indicator lights.

If errors occur, error messages are issued and / or indicator lights light up.

Error messages appear in:

- Horn icon of LICCON monitor, see illustration 1

Indicator lights are located within view:

- In the Crane operator's cab.
- On the components, for example in the switch cabinet.



WARNING

Risk of accident!

When carrying out the error diagnostics, there is a danger of accidents!

During accidents, personnel could be killed or seriously injured!

This could result in property damage!

- ▶ Take the crane out of service!
- ▶ In case of safety defects, secure the crane to prevent continued operation!
- ▶ The crane may only be inspected, diagnosed and repairs at a standstill and in shut down condition!
- ▶ Inspections, error diagnostics and repairs, for which the crane must be in operation are only permissible with extreme caution and constant visual and voice contact between all associated personnel!
- ▶ Inspections, error diagnostics and repairs may only be carried out by expert or trained personnel!
- ▶ For inspections, error diagnostics and repairs of electrical devices on the crane, power must be turned off and ensured to remain so for the duration of the work!
- ▶ Test operation after a repair must be made by the crane operator or in his presence!

**Note**

- ▶ Always observe error messages and illuminated indicator lights!
- ▶ For detailed procedure in case of error messages, see Diagnostics operating instructions, chapter 20.05.
- ▶ For overview of indicator lights on the crane superstructure, see Crane operating instructions, chapter 4.01.

Several possibilities exist for an error diagnostics:

- Without the help of Liebherr Service.
- With the help of Liebherr Service: Error diagnostics by phone
- With the help of Liebherr Service: Remote diagnostics.

2.1 Error diagnostics without the help of Liebherr Service

**WARNING**

Acting on your own authority!

If measures are carried out on your own authority in case of a problem, then this can result in damage to the crane!

Damage on the crane can cause erroneous functions and accidents!

Personnel can be severely injured or killed!

This could result in property damage!

- ▶ Observe and adhere to the notes and instructions in this chapter.
- ▶ Observe the Diagnostics operating instructions.
- ▶ In case of lack of clarity, contact Liebherr Service.
- ▶ If problems remain or in case of error messages, consult Liebherr Service to determine the cause of the problem and further procedure.

2.1.1 Error message in the LICCON monitor

After display of an error message in the LICCON monitor:

- ▶ Press the function key **F8**.

Result:

- Acoustic warning is turned off.

- ▶ Press function key **F8** again.

Result:

- The error code is displayed on the LICCON monitor (error determination display in the „test system“).
- In addition, all errors are listed in a separate error list (error text, cause, remedy).

In the error code, two different error types are differentiated:

- Operating errors - Error code starts with a „B“.
- System errors / application errors - Error code starts with an „E“.

If an error code starts with a „B“:

- ▶ Correct the operating error.

If an error code starts with an „E“:

- ▶ Call up the test system, see Diagnostics operating instructions.

or

In case of lack of clarity:

Consult Liebherr Service.

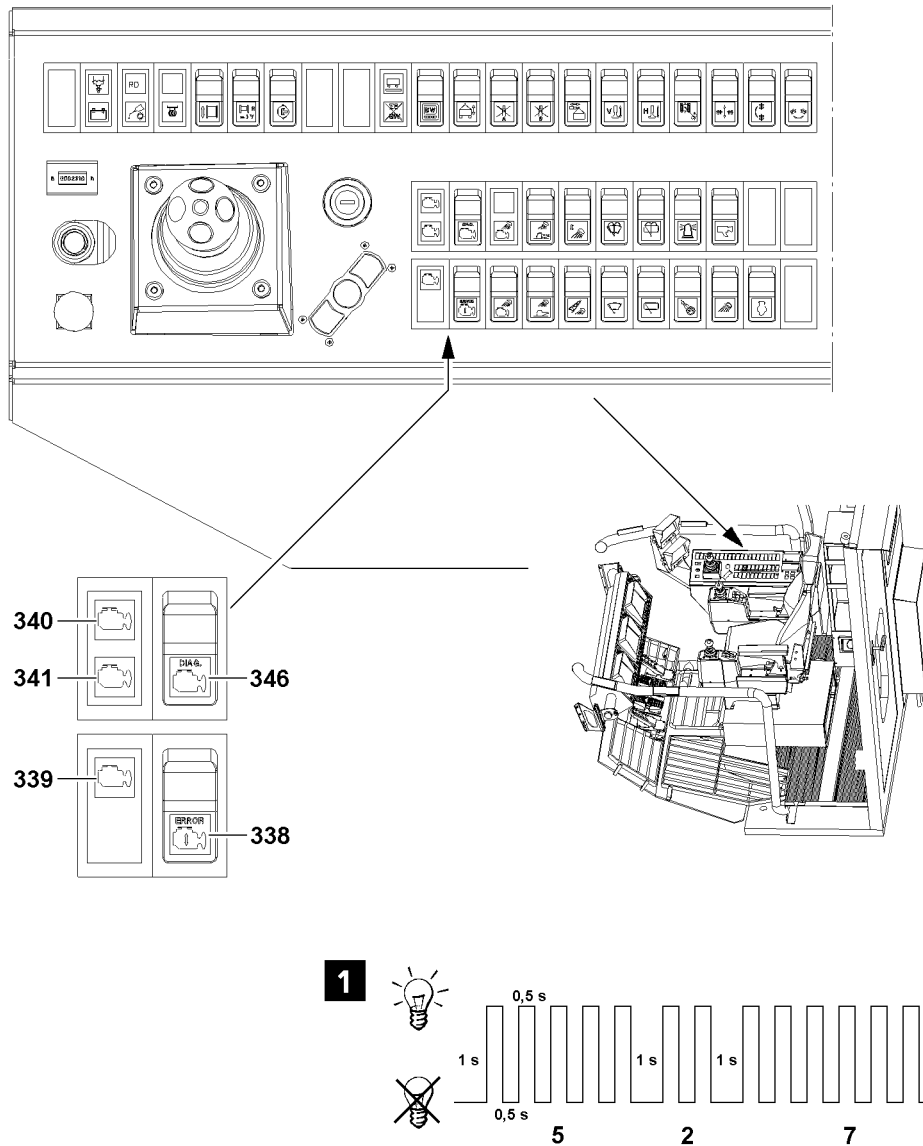


Fig.112967

2.1.2 Error messages Crane engine

If an error message is present on the crane engine, then the error can be read with the aid of a blinker code on the Error code light **339**, Error code light **340** or Error code light **341**. The error messages are classified into three categories. Depending on the category, the blinker code is shown on the Error code light **339**, Error code light **340** or Error code light **341**. The blinker code must be noted and checked in section „Error messages“, where the error is documented.

Position	Color	Description
339	White	Shows excessively high fluid temperatures and excessively low fill levels
340	Red	Shows severe errors on the crane engine. Turn the crane engine off immediately!
341	Yellow	Shows warnings on the crane engine.

LWE/LR 11350-005/19004-04-02/en

Design of blinker code



Note

► „Blinker code 527“ is explained as an example on error code light **341**, see illustration 1.

- The error code light **341** blinks once before every error.
- Every number is shown with a blinker sequence in 0.5 second cycles. The number of blinker signs results in the value of the number, see illustration 1.
- There is a 1 second break between every number.
- After every error, the error code light **341** blinks once.

Procedure in case of error messages - crane engine



Note

As an example, the procedure is explained for an existing error message.

► An error message is shown on the crane engine by illumination of the error code light **341**.

If the error code light **341** lights up:

► Actuate the switch **346**.

Result:

- The existing error message is shown on the error code light **339**, error code light **340** or error code light **341** by a blinker code, see section „Design of blinker code“.

► Note the blinker code and check section „Error messages“.

If additional error messages are present, use the button to change to the next error message. If not additional error messages are present, then the current blinker code is repeated.

► Press the button **338**.

Result:

- If present, the next error message is shown on the error code light **339**, error code light **340** or error code light **341** by a blinker code, otherwise the current blinker code is repeated.

► Note the blinker code and check section „Error messages“.

Overview of error messages - crane engine

Blinker code	Position	Reason	Effect
111	340	Internal hardware error of electronic control module.	Possibly no effect or engine is not running quietly or does not start.
112	340	Control link of injection timing regulation does not react the regulating changes. Discrepancy between measured and desired regulating pressure.	Adjustment dependent engine stop or RPM reduction or no effect.
113	341	Control link of injection timing regulation has short circuit to power supply.	No effect. Control link is open or closed or partially opened. Output fluctuates. Error code 112 is also created.
115	340	No RPM or position signal found on connections 27, 28 and 37, 38 of the engine wiring harness.	Engine is turned off and cannot run.
116	340	Pressure sensor injection timing regulation has short circuit to power supply. More than 4.78 V on Pin 33.	Adjustment dependent engine stop or RPM reduction or no effect.

Blinker code	Position	Reason	Effect
117	340	Pressure sensor injection timing regulation has short circuit to ground. Less than 0.15 V on Pin 33.	Adjustment dependent engine stop or RPM reduction or no effect.
118	341	Pressure sensor fuel pump short circuit to power supply. More than 4.78 V on Pin 32.	No effect. Possible loss of power.
119	341	Pressure sensor fuel pump short circuit to ground. Less than 0.30 V on Pin 32.	No effect. Possible loss of power.
121	341	Only RPM or position signal. Inductive sensor input not present on Pins 27, 28 or 37, 38.	No effect by regulator.
122	341	High voltage on connection 35 (charge pressure sensor signal) found on engine wiring harness.	The engine output is restricted to the setting without air supply.
123	341	Low voltage on connection 35 (charge pressure sensor signal) found on engine wiring harness.	The engine output is restricted to the setting without air supply.
131	340	High voltage on connection 29 gas pedal position signal of wiring harness found.	Adjustment dependent output and / or RPM reduction.
132	340	Low voltage on connection 29 gas pedal position signal of wiring harness found.	Adjustment dependent output and / or RPM reduction.
133	340	High voltage on connection 30 (gas pedal position signal at remote control) found on wiring harness.	Engine does not react to remote control of gas pedal.
134	340	Low voltage on connection 30 (gas pedal position signal at remote control) found on wiring harness.	Engine does not react to remote control of gas pedal.
135	341	High signal voltage on connection 24 found in switch circuit of engine oil pressure sensor.	Preadjusted value for oil pressure is used. No protective function for oil pressure.
141	341	Low signal voltage on connection 24 found in switch circuit of engine oil pressure sensor.	Preadjusted value for oil pressure is used. No protective function for oil pressure.
143	339	Oil pressure signal shows that the oil pressure has dropped below the engine protection limit value.	Reduction of output and / or RPM and possible engine shut off if shut off is activated.
144	341	High signal voltage on connection 22 found in switch circuit of engine coolant temperature sensor.	Preadjusted value for coolant temperature is used. No engine protection for coolant temperature.
145	341	Low signal voltage on connection 22 found in switch circuit of engine coolant temperature sensor.	Preadjusted value for coolant temperature is used. No engine protection for coolant temperature.
147	340	On connection 17 of the engine wiring harness (throttle control lever signal), a frequency below the minimum value was found.	The engine does not react to changes in RPM frequency regulation. The engine is running at low idle speed.

Blinker code	Position	Reason	Effect
148	340	On connection 17 of the engine wiring harness (throttle control lever signal), a frequency above the maximum value was found.	The engine does not react to changes in RPM frequency regulation. The engine is running at low idle speed.
151	339	The engine coolant temperature signal signals that the coolant temperature has increased past the critical limit to protect the engine.	Power reduction possibly engine shut off preset value of engine when it is activated in the engine protection function, protective function exceeded.
153	341	High signal voltage on connection 23 found in switch circuit of intake manifold temperature sensor.	Preadjusted value for intake air temperature is used. No engine protection for intake manifold temperature.
154	341	Low signal voltage on connection 23 found in switch circuit of intake manifold temperature sensor.	Preadjusted value for intake air temperature is used. No engine protection for intake manifold temperature.
155	339	Intake manifold temperature above the critical limit value for protection of engine.	RPM reduction or engine shut off if engine protection function is activated.
219	341	Oil level auxiliary oil reservoir too low.	Centinel oil combustion is deactivated.
221	341	High signal voltage on connection 34 found in switch circuit of air pressure sensor.	Output and / or RPM reduction.
222	341	Low signal voltage on connection 34 found in switch circuit of air pressure sensor.	Output and / or RPM reduction.
223	341	Insufficient voltage on Pin 8 of spool of oil combustion valve.	Centinel oil combustion is turned off.
225	341	Insufficient voltage on Pin2 of spool of oil equalization valve.	Centinel oil combustion is turned off.
231	341	Excessive voltage on coolant pressure sensor.	No engine protection function for coolant pressure.
232	341	Voltage too low on coolant pressure sensor.	No engine protection function for coolant pressure.
233	339	Coolant pressure too low.	Output reduction and possible engine shut off.
234	340	Engine RPM signal signals that the engine RPM of the engine protection limit is being exceeded.	Interruption of fuel injection until the RPM has dropped below the limit value for excessive RPM.
235	339	Coolant level signal on connection 23 and 24 of the engine wiring harness shows too low coolant level.	Output and / or RPM reduction with possible engine shut off if engine protection shut off is activated.
252	341	Engine oil level display incorrect.	No engine protection for oil level. Centinel, engine oil combustion is turned off.
253	339	Very low oil level in engine.	Output and / or RPM reduction with possible engine shut off if engine protection shut off is activated. Centinel, engine oil combustion is turned off.
254	341	Fuel shut off solenoid valve voltage too low.	Engine possible stalls or turns off badly.

Blinker code	Position	Reason	Effect
259	340	Fuel shut off solenoid valve open is blocked.	No measure in regulation. Engine turns off badly.
261	339	Fuel temperature too high.	Output and / or RPM reduction with possible engine shut off if engine protection shut off is activated.
263	341	More than 4.95 V on connection 26 of fuel temperature sensor found.	For fuel temperature, the standard value is used. No protective function for fuel temperature.
265	341	Less than 0.21 V on connection 26 of fuel temperature sensor found.	For fuel temperature, the standard value is used. No protective function for fuel temperature.
292	339	Signal voltage of auxiliary temperature on Pin 27 is outside specified limit value.	Output and / or RPM reduction with possible engine shut off if engine protection shut off is activated.
293	341	Signal voltage of auxiliary temperature on Pin 27 is too high.	No protective function for OEM temperature.
294	341	Signal voltage of auxiliary temperature on Pin 27 is too low.	No protective function for OEM temperature.
316	341	High voltage on Pin 11 or Pin 40. Control link of fuel pump open or short circuited.	No actuation of engine regulation. Possible loss of power.
318	341	Control link of fuel pump mechanically seized.	No actuation of engine regulation. Possible loss of power.
343	341	Engine control module has internal error.	No actuation of engine regulation. Possible loss of power. Engine might not start.
346	341	Electrical connection to engine control module separated too quickly.	Engine data not properly saved at shut off. Possibly saved files damaged.
349	341	Frequency signal of RPM from gear shows that the frequency is above a programmed threshold value.	Output and / or RPM reduction depends on the measure set in programming.
384	341	Error in switch circuit starting aid.	No starting aid present any more.
415	339	Oil pressure has dropped below the critical limit to protect the engine.	RPM reset of engine, possibly engine shut off, if it is activated in the engine protection function.
422	341	Signal coolant level not correct. Incorrect voltage between Pin 14 and Pin 23.	No monitoring of coolant level.
423	341	Control link ignition timing control is seized. Voltage on Pin 33 not correct.	Output and / or RPM reduction possibly irregular engine run.
426	341	Data bus connection J1939 interrupted.	No actuation of engine regulation, possibly loss of output.
431	341	Error in switch circuit - gas pedal idle position. Voltage determined simultaneously on both switches "in idle" and "not in idle".	The engine is running only in idle.
432	340	Discrepancy of gas pedal position between RPM specification and idle.	Engine does not react to gas pedal and runs only in idle.

Blinker code	Position	Reason	Effect
441	341	Low battery voltage, below 12 V.	Engine regulation can be disturbed resulting in irregularities.
442	341	Battery voltage too high, more than 38 V.	Engine control module could be damaged.
451	340	Pressure sensor injection amount regulation has short circuit to power supply. More than 4.78 V on Pin 31.	Adjustment dependent shut off or RPM reduction or no effect.
452	340	Pressure sensor injection boost regulation has short circuit to ground. Less than 0.15 V on Pin 31.	Adjustment dependent shut off or RPM reduction or no effect.
455	340	Injection amount regulation has short circuit to ground or to battery. Pin 3 or Pin 10 short circuited.	Control link is partially or completely closed. Engine does not start or runs only at one speed. Error code 514 is also created.
467	341	Value injection timing regulating pressure is not correct. Discrepancy between „nominal“ and „actual“ value.	Adjustment dependent shut off or RPM reduction or no effect.
468	341	Value injection amount regulating pressure is not correct. Discrepancy between „nominal“ and „actual“ value.	Adjustment dependent shut off or RPM reduction or no effect.
471	339	Low oil level in engine.	Output and / or RPM reduction with possible engine shut off if engine protection shut off is activated. Centinel, engine oil combustion is turned off.
473	341	Error in switch circuit of oil level display auxiliary oil tank.	Centinel, engine oil combustion is turned off.
489	341	Frequency signal of RPM from gear shows that the frequency is below a pre-programmed threshold value.	Output and / or RPM reduction depends on the measures set in programming.
497	341	Synchronous control is erroneous.	Synchronous control is deactivated.
498	341	Engine oil level sensor has short circuit to power supply.	No monitoring of engine oil level. Centinel, engine oil combustion is turned off.
499	341	Engine oil level sensor has short circuit to ground.	No monitoring of engine oil level. Centinel, engine oil combustion is turned off.
514	340	Control link fuel amount regulation is seized. Discrepancy between „nominal“ and „actual“ value.	Adjustment dependent shut off or RPM reduction or no effect.
527	341	Error in switch circuit of additional outlet #2. Less than 17 V on Pin 1.	No actuation of engine regulation
529	341	Error in switch circuit of additional outlet #3. Less than 17 V on Pin 9.	No actuation of engine regulation
551	340	Error in switch circuit of idle control of gas pedal.	No actuation of engine regulation
553	340	Pressure in fuel amount regulation circuit too high.	Shut off solenoid valve is closed until pressure is normal again. Engine turns off also.
554	341	Error in fuel amount regulation circuit.	Adjustment dependent output reduction.

Blinker code	Position	Reason	Effect
555	339	Crankcase pressure is too high.	Adjustment dependent shut off or output reduction.
649	341	Maintenance display oil and oil filter change due.	No actuation of engine regulation.
719	341	Error in switch circuit of crankcase pressure sensor. Short circuit against voltage.	No monitoring for crankcase pressure.
729	341	Error in switch circuit of crankcase pressure sensor. Short circuit against ground.	No monitoring for crankcase pressure.
753	341	Error of RPM sensors. Synchronization error.	No actuation of engine regulation.

2.1.3 Calling up the test system



Note

- ▶ For calling up the test system, see Diagnostics operating instructions!

2.1.4 Problems on the mechanics / components of the crane

- ▶ Determine the damage and remedy it properly by using **original spare parts**.

2.1.5 Problems on pipes / hoses

Supply lines, return lines and control lines handle various media:

- Pneumatic pipes / hoses.
- Hydraulic pipes / hoses.
- Pipes / hoses for fluids and gases.

- ▶ Determine the damage and remedy it properly by using **original spare parts**.

2.1.6 Problems in electrical connections of the crane

- If a component / component group does no longer react, then the electrical connections may be interrupted.
- ▶ Check the error messages.
- ▶ Check the plug connections.
- ▶ Check the electrical connections visually.

Problem remedy

The erection of the crane, for example after assembly on a new job site or with another equipment configuration, is not possible due to an error message?

- ▶ As the first step, make sure that all electrical connections have been made.
- ▶ Check if all sensors or dummy plugs with integrated electronic have been connected properly.

- ▶ Determine the damage and remedy it properly by using **original spare parts**.
- or**

In case of lack of clarity:

Observe the Diagnostics operating instructions.

or

Consult Liebherr Service.

2.2 Error diagnostics with the help of Liebherr Service

2.2.1 Which data is required by Liebherr Service?

If the assistance of Liebherr Service is required, always provide the following information:

- Crane type
- Crane number
- Complete error number and any error message displayed on the LICCON monitor
- For certain errors: LED displays of power supply **NT** and CPUs **ZE**
- Application conditions of crane.
- Action during which the error occurs.
- Possibly frequency of error.

2.2.2 Error diagnostics by phone

If there is any lack of clarity, contact Liebherr Service to determine the cause of the problem and further procedure.

- ▶ Contact Liebherr Service.
- ▶ Observe and adhere to the notes and instructions given by Liebherr Service.

2.2.3 Remote diagnostics*

The remote diagnostics makes it possible for Liebherr Service to check Liebherr cranes from a remote location in case of problems.

Make sure that the following prerequisite is met:

- The crane is equipped with the optional Remote diagnostics*.
- ▶ Contact Liebherr service by phone.
- ▶ Follow the instructions given by Liebherr Service to set up the Remote diagnostics*.
- ▶ Keep the phone connection to Liebherr Service up during the Remote diagnostics*.

Empty page!

LWE/LR 11350-005/19004-04-02/en

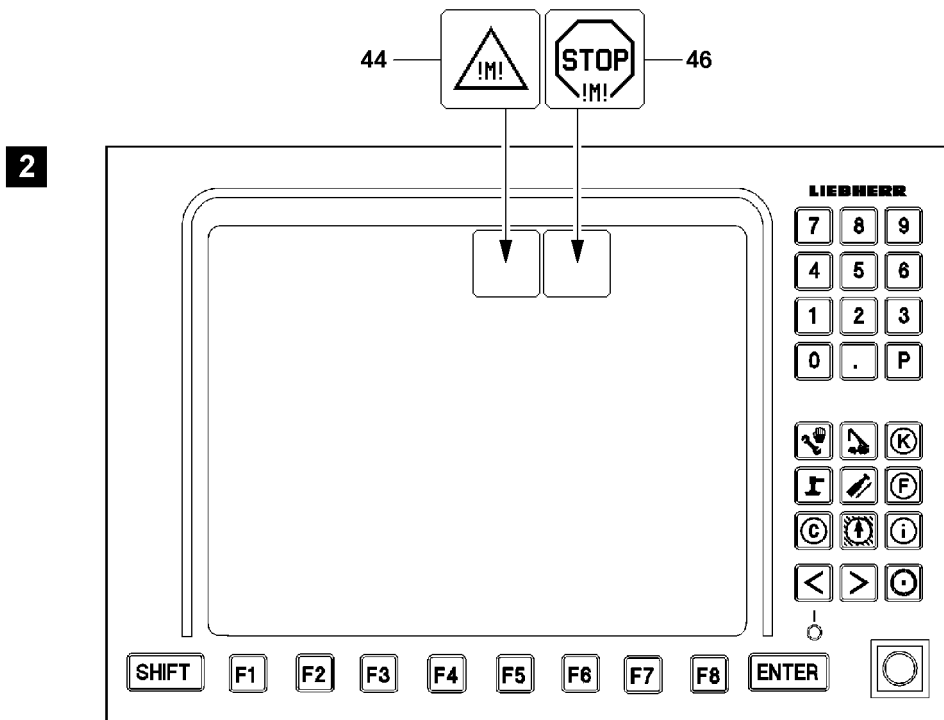
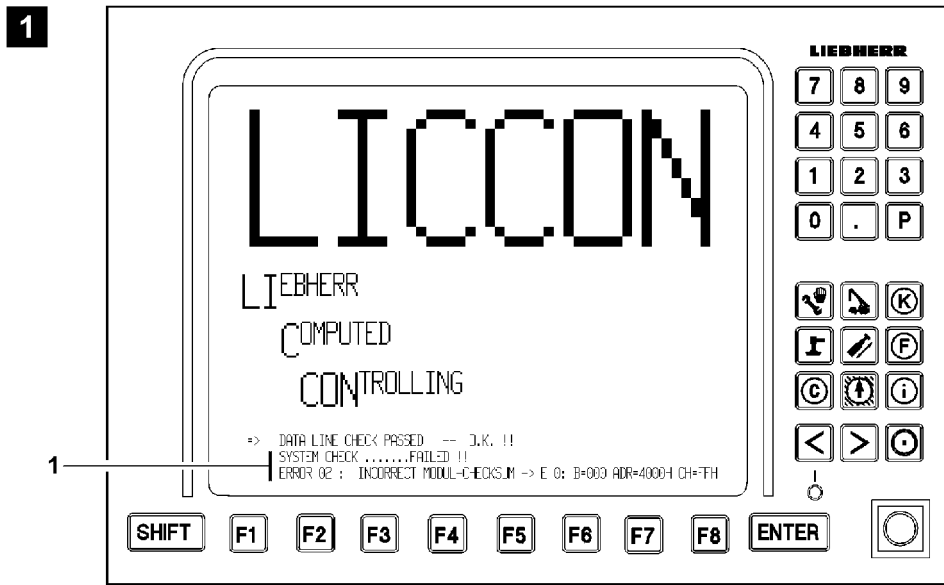


Fig.112959

3 Measures in clear problem cases



Note

If a problem occurs, which is not described in this chapter:

- ▶ Contact Liebherr Service to determine the cause of the problem and further procedure.

3.1 Remediating temporary errors during system start



Note

- ▶ While the LICCON computer system starts, temporary error messages **1** can occur, see illustration **1**.

Errors, which occur temporarily, can have various causes, for example:

- Fluctuations in the power supply.
- Error message can be a subsequent error.
- ▶ Turn the LICCON computer system off and restart it after waiting for at least 5 s.
- ▶ Repeat this procedure up to three times (wait 2 min after 3 start attempts).

If the same error image appears several times:

- ▶ Call up the test system, see Diagnostics operating instructions.
- ▶ Contact Liebherr Service to determine the cause of the problem and further procedure.

3.2 Monitoring function reports a problem



Note

- ▶ For a detailed description of monitoring functions, see Crane operating instructions, chapter 4.02.

NOTICE

Danger of severe engine damage!

If the monitoring functions report a problem and / or warning occurrence, then you must react immediately and remedy the problem!

- ▶ React to problems and / or warning occurrences immediately and remedy the problem!
- ▶ If necessary, stop crane operation and turn the engine off!

The following alarm functions are indicated by blinking icons on the LICCON monitor (illustration **2**):

- **44** Advance warning - engine
- **46** Engine stop
- ▶ If an „Advance warning - engine“ **44** or an „Engine stop“ **46** is triggered, react immediately.
- ▶ In case of an Engine stop **46**, stop crane operation and turn the engine off.
- ▶ Find the cause and remedy it.

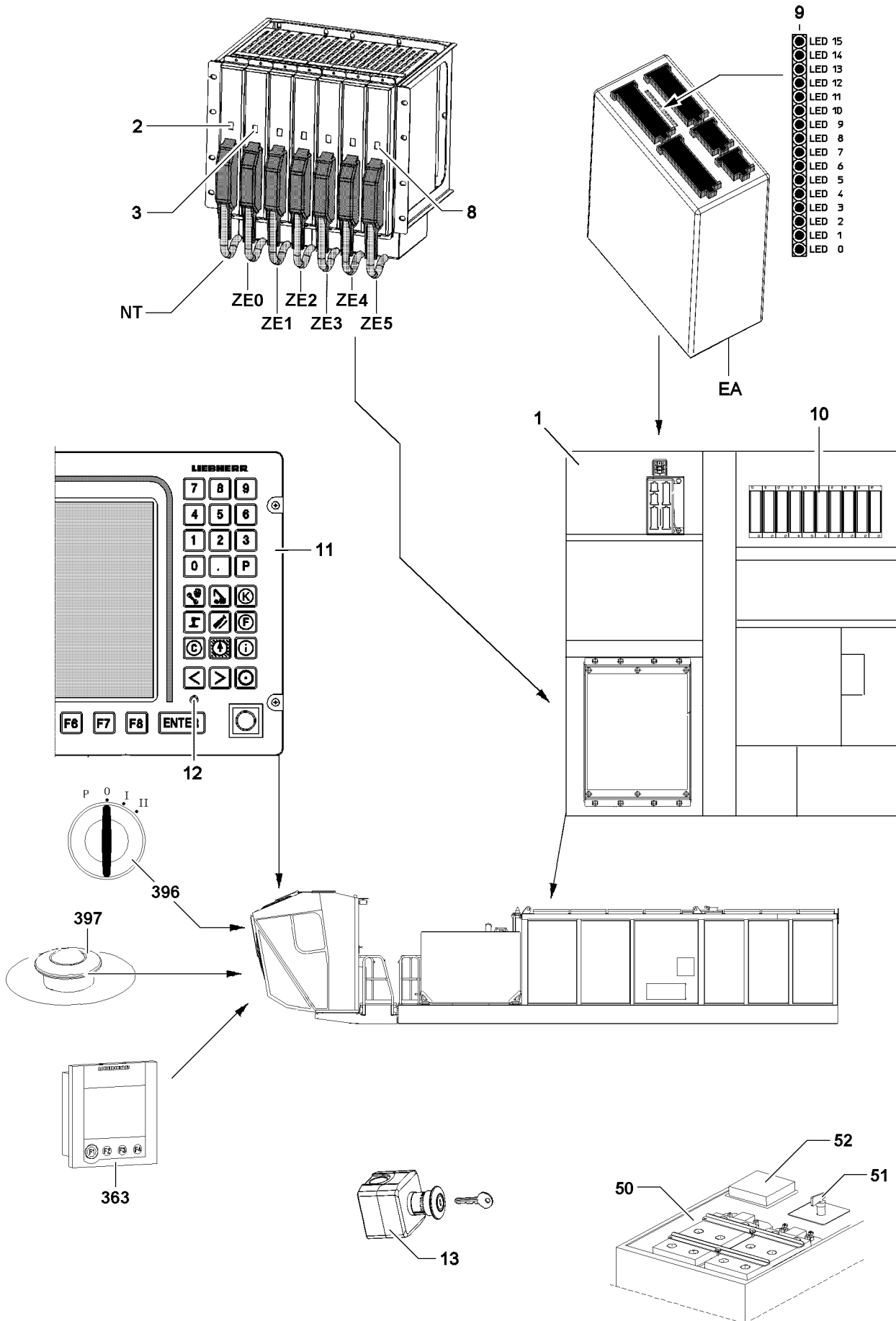


Fig.112965

LWE/LR 11350-005/19004-04-02/en

3.3 Engine does not start

Make sure that:

- There is sufficient fuel in the fuel tanks.
- There is sufficient voltage in the batteries.

3.3.1 Checking the EMERGENCY STOP switch

Make sure that no EMERGENCY STOP switch is actuated:

- **13** EMERGENCY STOP switch outside the crane operator's cab*
- EMERGENCY STOP switch **397** in crane operator's cab



Note

- ▶ When an EMERGENCY STOP switch is actuated, an error message appears in the LICCON monitor.
-

3.3.2 The engine does not start?

No EMERGENCY STOP switch is actuated:

- ▶ Turn the ignition off.
- ▶ Start the engine again.



Note

- ▶ For Problem remedy, see chapter 4.03, section „Starting the engine and turning it off“.
-

If the error cannot be remedied:

- ▶ Contact Liebherr Service to determine the cause of the problem and further procedure.

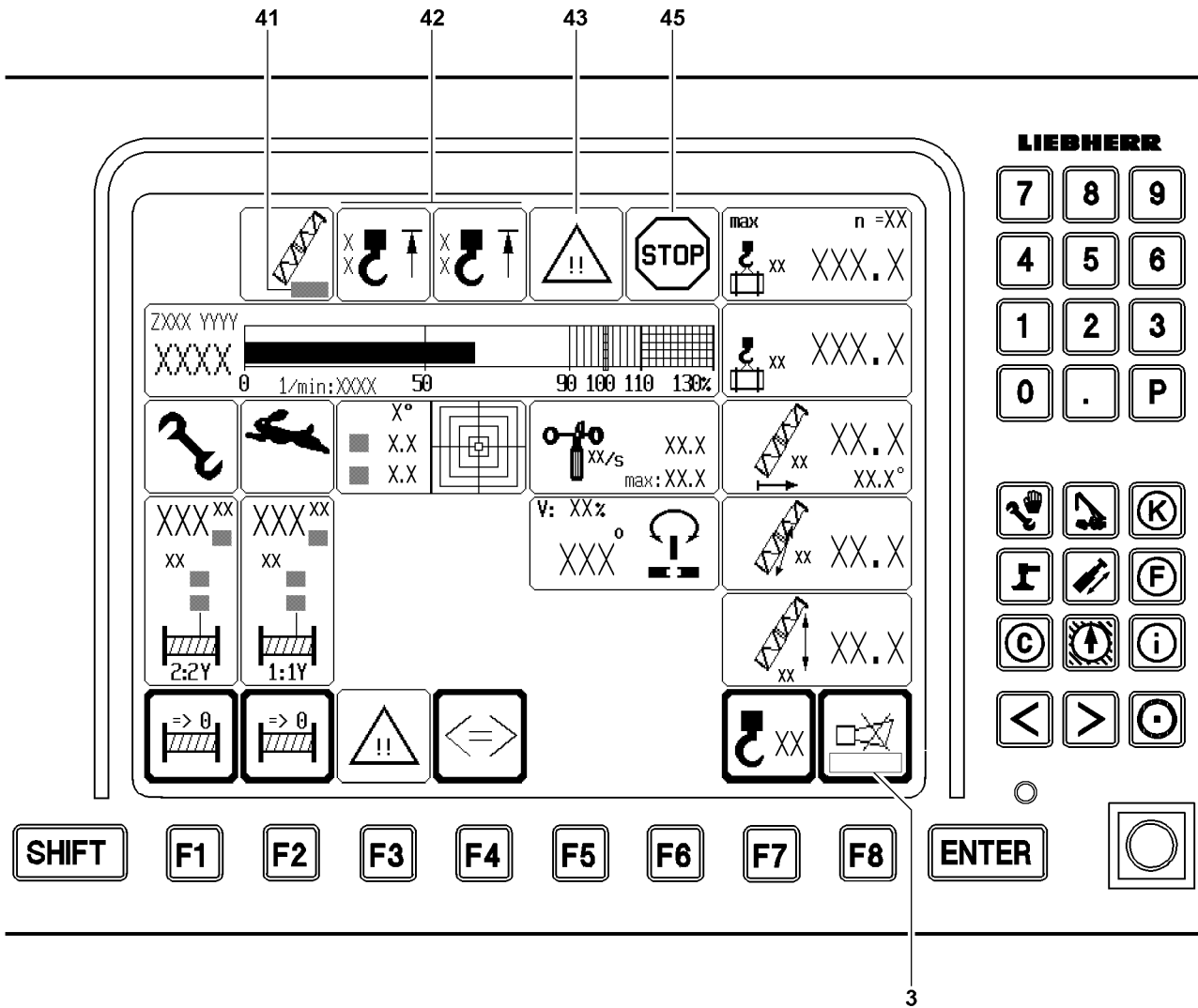


Fig.112964

3.4 LICCON monitor

3.4.1 Operating errors: Did an alarm function occur?



Note

- ▶ For procedure of shut off of crane movement, see Crane operating instructions, chapter 4.20.
 - ▶ For a detailed description of alarm functions, see Crane operating instructions, chapter 4.02.
 - ▶ In case of an alarm function, an error message **3** with LICCON error code appears at the same time.
-

The following alarm functions are indicated by blinking icons on the LICCON monitor:

- **41** Boom limitation
- **42** Hoist top limit switch
- **43** Advance warning
- **45** LMB Stop

The limit ranges of the crane movements are monitored by:

- Hoist limit switch
- Angle sensors
- Pressure sensors
- Pull test brackets (force test boxes)
- Wind sensor
- Inductive sensors

If the limit ranges for these sensors are exceeded, the crane movements are turned off (LMB-STOP).

- ▶ Correct the operating error.

Fig.197077

LWE/LR 11350-005/19004-04-02/en

4 Measures for defective components



WARNING

Impairment of crane safety!

When using non-original spare parts, crane safety can be impaired!

Changed or manipulated components can fail!

Safety relevant components can malfunction!

The crane license as well as the manufacturer's warranty will become void!

Risk of accident!

Personnel can be severely injured or killed!

This could result in property damage!

- ▶ Use only original spare parts or spare parts approved by Liebherr Werk Ehingen!
- ▶ Leave installed original parts unchanged!

Make sure that the following prerequisites are met:

- Error diagnostics has been carried out.
- Defective component has been determined.

4.1 Failure of hydraulic, electric or engine



Note

If the crane is equipped with the optional „Hydraulic emergency control*“, then the crane can be taken down in case of failure of the crane hydraulic, crane electric or crane engine.

- ▶ For hydraulic emergency control, see Crane operating instructions, chapter 6.05.

- ▶ Take the crane down with the hydraulic emergency control* and repair it, contact Liebherr Service if necessary.

or

If the crane has no „Hydraulic emergency control*“:

Secure the crane and danger zone wide-ranging.

4.2 Defective power supply (NT)

- ▶ Replace the power supply with a functioning power supply.



Note

- ▶ For instruction of replacement of a defective power supply, see Diagnostics operating instructions.

4.3 Central processing unit (CPU)

- ▶ Replace the CPU with a functioning CPU.



Note

- ▶ For instruction of replacement of a defective CPU, see Diagnostics operating instructions.

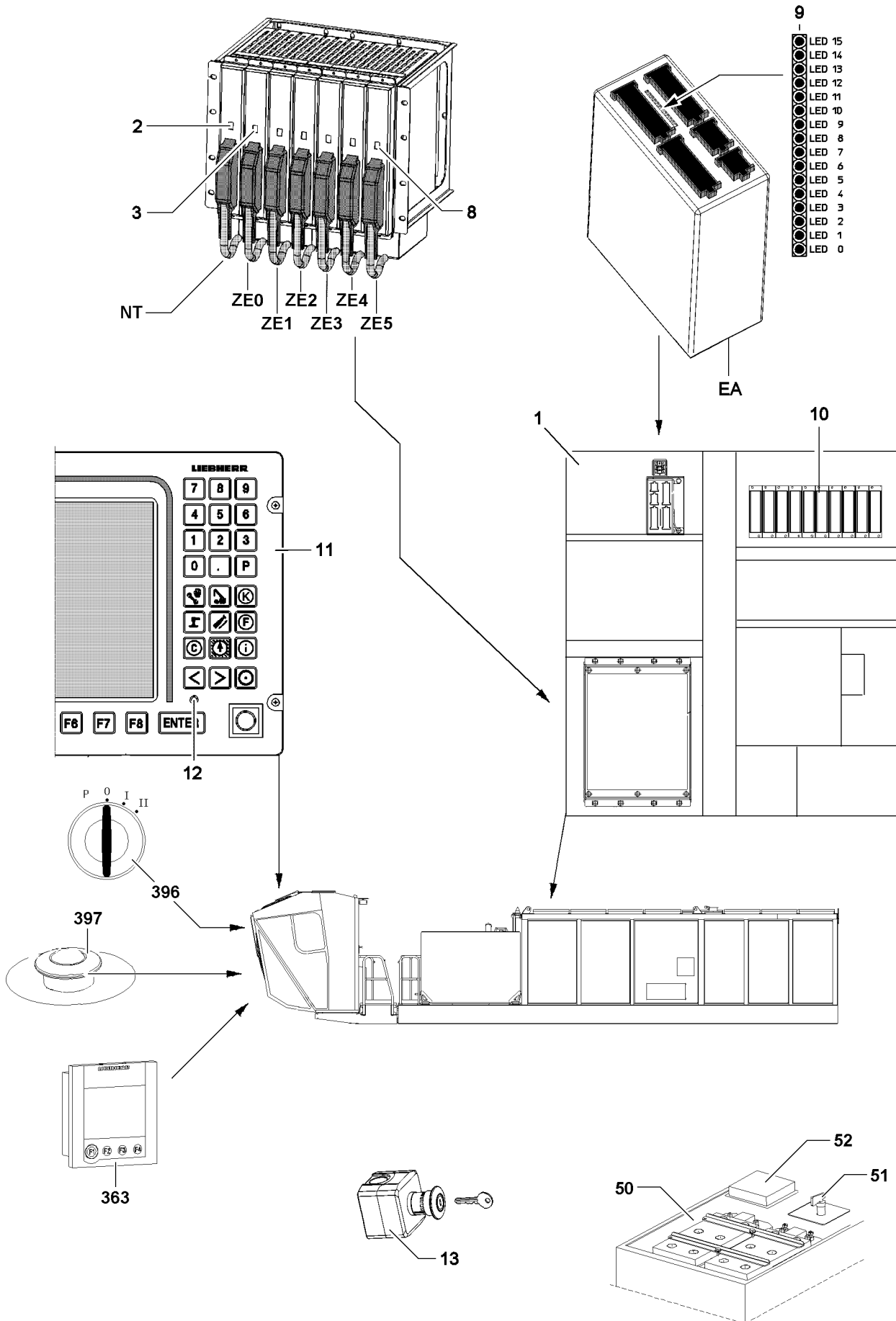


Fig.112965

LWE/LR 11350-005/19004-04-02/en

4.4 Replacing a defective fuse

If a fuse is defective, then it must be replaced.

Make sure that the following prerequisites are met:

- Battery master switch **51** is in position **0**.
- Ignition switch **396** is in position **0**.
- A spare fuse of the same size and strength is available.

Fuses are located:

- **10** In the fuse box switch cabinet.
- In the battery box **50** (Main fuses **52**)
- Directly on the individual components.

- ▶ Replace a defective fuse.
- ▶ Check the function.

Problem remedy

The same fuse fails again?

- ▶ Continue troubleshooting, contact Liebherr Service if necessary.
 - ▶ Never bypass a defective fuse or replace it with a stronger fuse.
-

4.5 The LICCON monitor remains dark

If the LICCON monitor **11** does not turn on after turn on:

- ▶ See section Monitor errors in the Diagnostics operating instructions.

If the problem cannot be remedied:

- ▶ Contact Liebherr Service to determine the cause of the problem and further procedure.

4.6 The touch display remains dark

If the Touch display **363** does not turn on after turning the ignition on:

- ▶ Check the error messages.

If the problem cannot be remedied:

- ▶ Contact Liebherr Service to determine the cause of the problem and further procedure.

4.7 Defective sensors

4.7.1 General

Depending on the classification of the sensor, crane operation with defective sensor:

- Can be continued without restriction.
- Can be continued with restriction.
- Can be continued only in LMB emergency operation.



WARNING

Limited warning functions!

If there is a defect on a participating sensor (LMB) and the crane is continued to be operated by bypassing the sensor other otherwise, then the warning functions and the shut offs of the LICCON overload protection are deactivated / limited!

- ▶ If there is a defect on a participating sensor (LMB), then the crane may be operated further only in emergency cases!
 - ▶ Fix / replace the sensor before starting crane operation again!
-

Certain crane functions are also monitored with two sets of sensors.

If a defective sensor is shown:

- ▶ Replace / repair the defective sensor.

4.8 Defective limit switch

Depending on the classification of the limit switch, crane operation with defective limit switch:

- Can be continued without restriction.
- Can be continued with restriction.
- Can be continued only in LMB emergency operation.

Certain crane functions are monitored with two sets of limit switches.



WARNING

Limited warning functions!

If one of the double version limit switches is not ok and the crane is continued to be operated, then the warning functions of the LICCON overload protection are limited!

- ▶ The crane can only be operated in an emergency after failure of a double version limit switch!

If a defective limit switch is shown:

- ▶ Replace / repair the defective limit switch.

4.9 Bypass of overload protection

To bring the crane into safe condition after failure of a component required for the overload protection, it can be necessary that the overload protection has to be bypassed.



DANGER

Bypassing the overload protection!

If the overload protection is bypassed, there is no further protection against crane overload!

In the event of deliberate improper use, the crane could collapse, the boom can break off or the crane can topple over!

Personnel can be killed or seriously injured!

This could result in property damage!

- ▶ The bypass of the overload protection is only permitted in emergency cases!
- ▶ The bypass may only be carried out by persons who are aware of the effects of their acts regarding the bypass of the overload protection!
- ▶ Bypassing the overload protection requires the presence of an authorized person and must be performed with utmost caution!
- ▶ Missing values must be monitored manually and must match the load chart.
- ▶ Crane operation with bypassed overload protection is prohibited!



WARNING

Bypassed overload protection!

If the overload protection is bypassed, crane movements are no longer monitored!

The crane can be overloaded and collapse!

Personnel can be killed or seriously injured!

This could result in property damage!

- ▶ Only carry out crane movements within the range of the load chart as well as the erection / take down charts!

As a rule, all specifications in the load chart must be adhered to strictly:

- The exact weight of the load, including load suspension equipment, must be known.
- The boom status and the boom geometry must be known.
- The boom length and boom radius must be measured manually.
- All values must match the values in the respective load chart.



Note

- ▶ Depending on the configuration of the crane, the overload protection of the crane is bypassed various ways, see the following sections.

Empty page!

LWE/LR 11350-005/19004-04-02/en

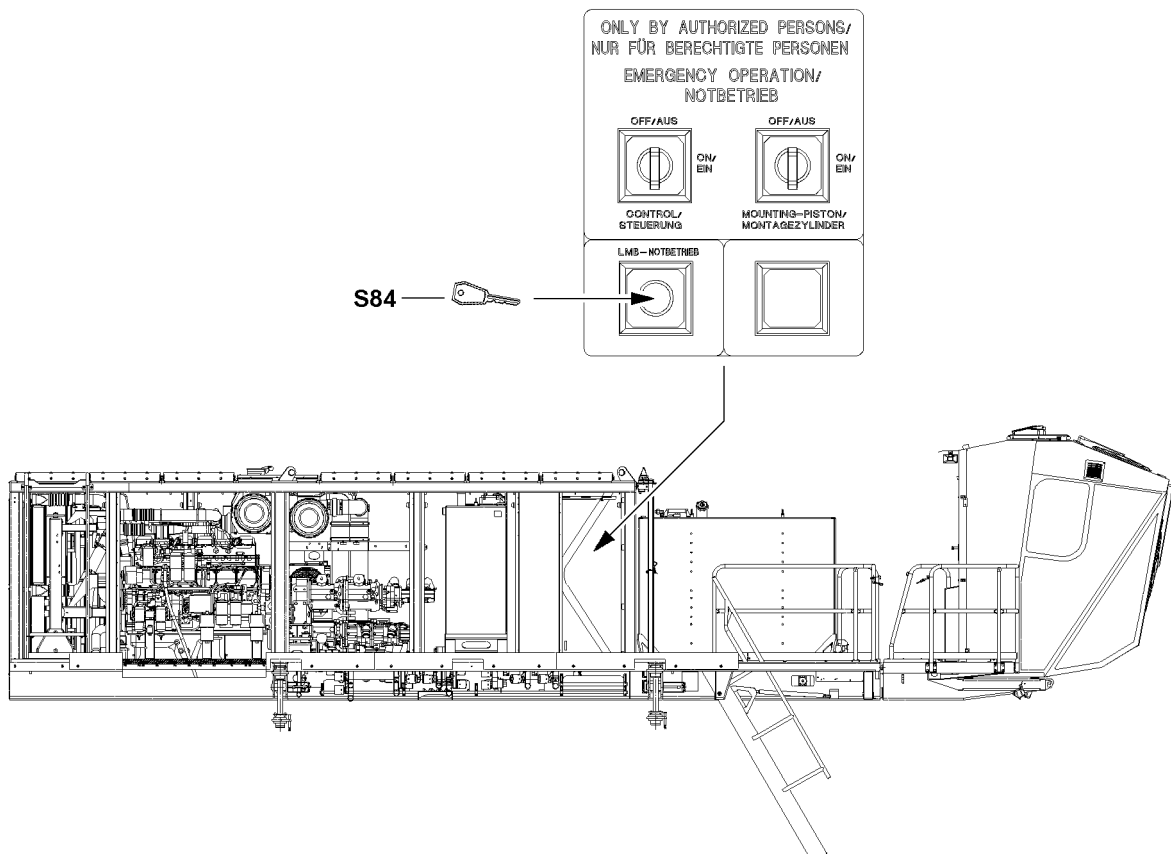
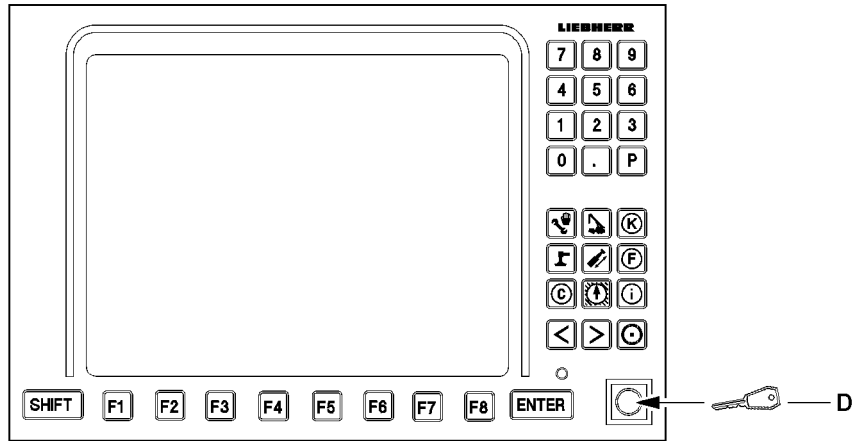


Fig.112966

4.9.1 Bypass of overload protection: Failure of the overload protection



Note

- ▶ Does **not** apply for cranes with CE-mark and configuration according to EN 13000:2010!
- ▶ For description of set up button **D**, see Crane operating instructions, chapter 4.02!

- ▶ Press the set up button **D**:

Result:

- The overload protection is bypassed.
- The crane is emergency operation.

To turn the bypass of overload protection off:

- ▶ Press the set up button **D** again.

Result:

- The bypass of the overload protection is turned off.

4.9.2 Bypass of overload protection: Failure of overload protection (according to EN 13000:2010)



Note

- ▶ Applies **only** apply for cranes configuration according to EN 13000:2010!
- ▶ For location and description of the bypass device outside the crane operator's cab, see Crane operating instructions, chapter 4.01 and chapter 4.02.

The bypass of the overload protection can be carried out with the restriction, that:

- The bypass is automatically reset when the engine is turned off.
- The bypass is automatically reset after no later than 30 minutes.
- The bypass of the overload protection limits the working speed to no more than maximum 15%.

The bypass is made with:

- **S84** key switch
- ▶ Actuate the key switch **S84**.

Result:

- The overload protection is bypassed.
- The crane is emergency operation.

To turn the bypass of overload protection off:

- ▶ Actuate the key switch **S84** again.

Result:

- The bypass of the overload protection is turned off.

4.10 Ending the load lift to avert emergency situations

When the crane movements must be carried out manually (for example with the optional „Hydraulic emergency control*“).

**WARNING**

Crane operation without overload protection!

If the LICCON overload protection is no longer functioning properly because of one or more errors, then there is a danger of accidents if crane operation is continued!

Due to operation of the crane with failed LICCON overload protection, the crane can be overloaded and collapse!

Personnel can be killed or seriously injured!

This could result in property damage!

- ▶ Crane operation without overload protection is only permissible in emergency cases!
- ▶ Crane operation without overload protection may only be carried out by persons who know the effects of their actions regarding crane operation without overload protection!
- ▶ Crane operation without overload protection requires the presence of an authorized person and must be performed with utmost caution!
- ▶ Missing values must be monitored manually and must match the load chart.
- ▶ Do not take up regular crane operation again until the overload protection is functioning again!

Ending the load lift to avert emergency situations:

- Before continuing the load lift, contact the nearest Liebherr Service center or the Liebherr-Werk in Ehingen.

If this is not possible, then the load lift can be completed with utmost caution, as follows:

- All values that are needed for the exact determination of the equipment configuration and the associated load chart must be measured or manually determined.

As a rule, all specifications in the load chart must be adhered to strictly:

- The exact weight of the load, including load suspension equipment, must be known.
- The boom status and the boom geometry must be known.
- The boom length and boom radius must be measured manually.
- All values must match the values in the respective load chart.

8 Inspections of cranes

LWE/LR 11350-005/190004-04-02/en

Fig.195219

LWE/LR 11350-005/19004-04-02/en

1 General

This crane was tested at the manufacturer's facilities prior to shipment in accordance with the valid ISO, FEM and DIN Standards and BGV D6 (BGG 905).

The safety level achieved during initial commissioning may not be attainable during operation.

Examples of the root cause of such deviations include; e.g., wear and tear, corrosion, effects of external forces, changes in the environment and changes to the mode of operation.

The operator is responsible for taking the necessary steps to ensure that the level of safety is maintained.

The crane operator is therefore obligated to have the crane inspected by an **expert**, at intervals depending on the operational conditions but at least once per year, from the first day of vehicle registration.

The crane must be inspected by an **authorized inspector** every four years after it has been licensed.

The crane must be annually inspected by an **authorized inspector** after its twelfth year of operation.

To ensure the high safety standard of the crane, we recommend - no later than the 12th year, in the 20th year, in the 26th year and then every 4 years - to have the crane undergo a general inspection by an **authorized inspector**. At that time, in addition to the usual scope of inspection, all load carrying parts of the crane - the complete steel structure with all welding seams as well as all components and connecting devices - are to be subjected to a complete visual inspection. The following procedural notes for repeat inspections are to be observed for that.



WARNING

There is a risk of weakening the supporting components when major changes or repairs are made to the crane!

- ▶ In this case, the operator must have the crane reinspected by an authorized inspector before placing it back into service!

In addition, all respective local and national regulations also apply.

Expert: Is a person whose technical training and experience means that he has adequate knowledge in the field of inspecting technical equipment. They must be familiar with regulations on safety at work, as well as guidelines and standards that allow them to assess the safe condition of technical equipment (e.g. cranes). Potential experts are workshop staff and customer service engineers.



Note

- ▶ Experts are not authorized inspectors!

Authorized inspector: Is a person whose technical training and experience means that he has explicit knowledge in the field of inspecting technical equipment. They must be familiar with regulations on safety at work, as well as guidelines and standards that allow them to assess the safe condition of technical equipment (e.g. cranes). They are responsible for testing technical equipment and giving an expert opinion. Authorized inspectors can be active engineers.



Note

- ▶ Authorized inspectors are legally recognized experts who have received special training!

Periodic inspection are principally a visual inspection, where the inspector (either type) appraises the condition of the crane and its components.

The purpose of the inspections is to avoid accidents by detecting deficiencies early on. Any deficiencies determined by the expert / authorized inspector must be documented, corrected, and subsequently reinspected.

A number of important examples of items that are particularly important during the periodic crane inspections are listed in the following. We wish to advise that the authorized inspectors / experts take sole responsibility for the crane inspections that they carry out.

**Note**

- ▶ The inspection may not be solely limited to the following positions shown in the sample construction illustrations. Rather the **entire** crane structure must be subjected to a careful inspection!

In the Crane operating instructions, chapter 8.90 is a checklist to assist the inspector during the periodic inspections of Liebherr mobile and crawler cranes.

If the inspector has any questions they should be directed through the Service Department of Liebherr-Werk Ehingen GmbH to the technical departments.

**WARNING**

Danger of accident!

- ▶ Adhere to the following inspection guidelines and intervals.

2 Inspection of carrying crane structures, especially steel structures

2.1 Basic principles and procedure

**DANGER**

Danger of fatal injury!

The crane structures, particularly steel constructions have to be checked by an expert or authorized inspector at least once a year. If this is not the case, they could fail and cause fatal injury or seriously damage the crane!

- ▶ Crane structures, particularly steel constructions must be checked by an expert or an authorized inspector at least once a year!
- ▶ Shorten the inspection intervals when the crane is subjected to above-average load spectrums, for example when handling large material quantities or frequently erecting long boom systems.
- ▶ When the crane was subjected to excessive operating loads; e.g., due to an unusual impact, the crane structure, especially the steel structures must be inspected immediately!

Crane structures, especially steel structures, such as booms, turntables, chassis, support equipment (e.g., sliding beams or folding outriggers) must be carefully inspected, at the very least during the annual recommended crane inspections. Inspect welding seams especially through an intensive visual inspection.

If paint damage with corrosion (rust) is found on load carrying parts of the crane structure, especially on telescopic booms, lattice booms, lattice jibs, pull rods etc., then the rust must be removed, primed and painted.

During an electrolyte process, such as corrosion in combination with water, an atomic hydrogen is created, which causes to hydrogen induced corrosion with resulting cracks on high tensile fine grain construction steel.

If disassembly and assembly work on the crane is required to carry out the inspections, then they must be carried out by taking the manufacturer's data into account or in coordination with the crane manufacturer.

We would like to point out that the framework of mobile cranes is designed for a limited number of stress work cycles. This also determines the utilization or service life of the framework. The service life is not determined solely by the number of stress cycles. It also depends on the loads (load spectrum) applied during the time in operation.

Liebherr mobile and crawler cranes are designed for specific characteristics and movements, such as constant deployment of drive forces, only occasional operation and load conditions according to EN 13000:2010.

Liebherr mobile and crawler cranes are designed for assembly operation and - according to EN 13000:2010, chapter 4.1.2.1 - they can only take on a limited number of work cycles ($N = 32000$) when grouping them into collective class $Q_1 = \text{light}$ ($k_p = 0.125$).

Example of a load collective according to grouping in collective class $Q_1 = \text{light}$ ($k_p = 0.125$).

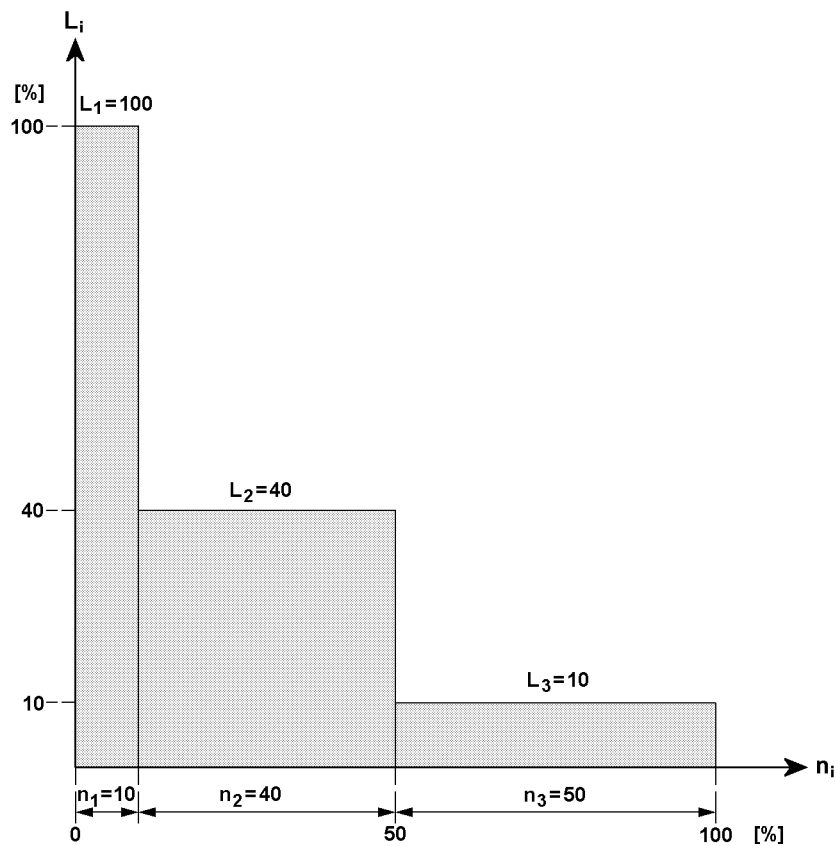


Fig.104716

L_i : Load proportion in relation to maximum load [%]

n_i : Load cycles in relation to maximum number [%]



Note

- ▶ The service life of Liebherr mobile and crawler cranes can be drastically reduced, for example when used in magnet, grapple or material handling applications!
- ▶ Repeated inspection of crane structure, especially the steel structure and the welding seams must then be carried out in shorter intervals than specified.

For that reason, the steel structures and the welding joints must be subjected to an visual intensive inspection by the expert during the specified periodic inspections.

If any damage (such as cracks or suspicion of cracks) are apparent on any part of the steel structure, the total extent of the damage must be determined by qualified specialists using appropriate material testing methods, such as magnetic crack detection, ultrasound or x-rays. Thereafter, the qualified personnel must determine whether or not the damaged area can be repaired by welding or by other means.

The following diagrams are samples of the load-bearing welding structures. The welding joints or seams or steel structural zones that require inspection may be present more than once and in various forms. The joints or zones must be inspected all around at the locations identified by arrows.

**Note**

- ▶ The scope and extent of all inspections remain the sole responsibility of the inspectors!
- ▶ The scope and results of tests should be documented to permit reproducibility. This documentation forms part of the crane records and should be safely stored during the entire service life of the crane!
- ▶ The following diagrams are provided to assist the inspector. The illustrations are only examples and are not necessarily 100 % complete!

2.2 Repair welds

If defects such as cracks or permanent deformation are detected on load-bearing steel components, they should be immediately reported to the Service Department at **Liebherr-Werk Eching GmbH** (hereinafter called **LWE**).

Furthermore, the defect must immediately be appraised by an authorized inspector in accordance with standard welding technology rules. The inspector must immediately ascertain whether or not the crane can continue to be safely operated until the time of the repair.

The following items apply to the repair weld:

- Repair welds may only be carried out by **LWE** personnel or third party personnel contracted by **LWE**, with appropriate welding qualifications according to EN 287-1 for the subject material and welding method!
- The repair weld must be carried out in accordance with the latest revision of **LWE's** internal welding guideline ISR B 010!
- The repaired structural component must subsequently be subjected to a load test. The required test loads and boom configurations are to be determined by **LWE Service!** Successful test results are to be documented in the crane inspection log!
- We also refer to observing the accident prevention regulations „Principles for testing cranes by authorized inspectors or experts in accordance with UVV **Cranes** BGV D6 and BGG 905“!

**WARNING**

Danger of accidents in case of defective repair welds!

Due to defective repair welds, severe personnel and property damage can result!

- ▶ Observe and adhere to the instructions and welding regulations!

**Note**

Exclusion of liability!

For repair welds, which are not made by **LWE** personnel or by personnel authorized by **LWE**, Liebherr-Werk Eching GmbH excludes liability for the system functionality as well as for the parts!

- ▶ Have repair welds only made by **LWE** personnel or by personnel authorized by **LWE!**

2.3 Example for test points

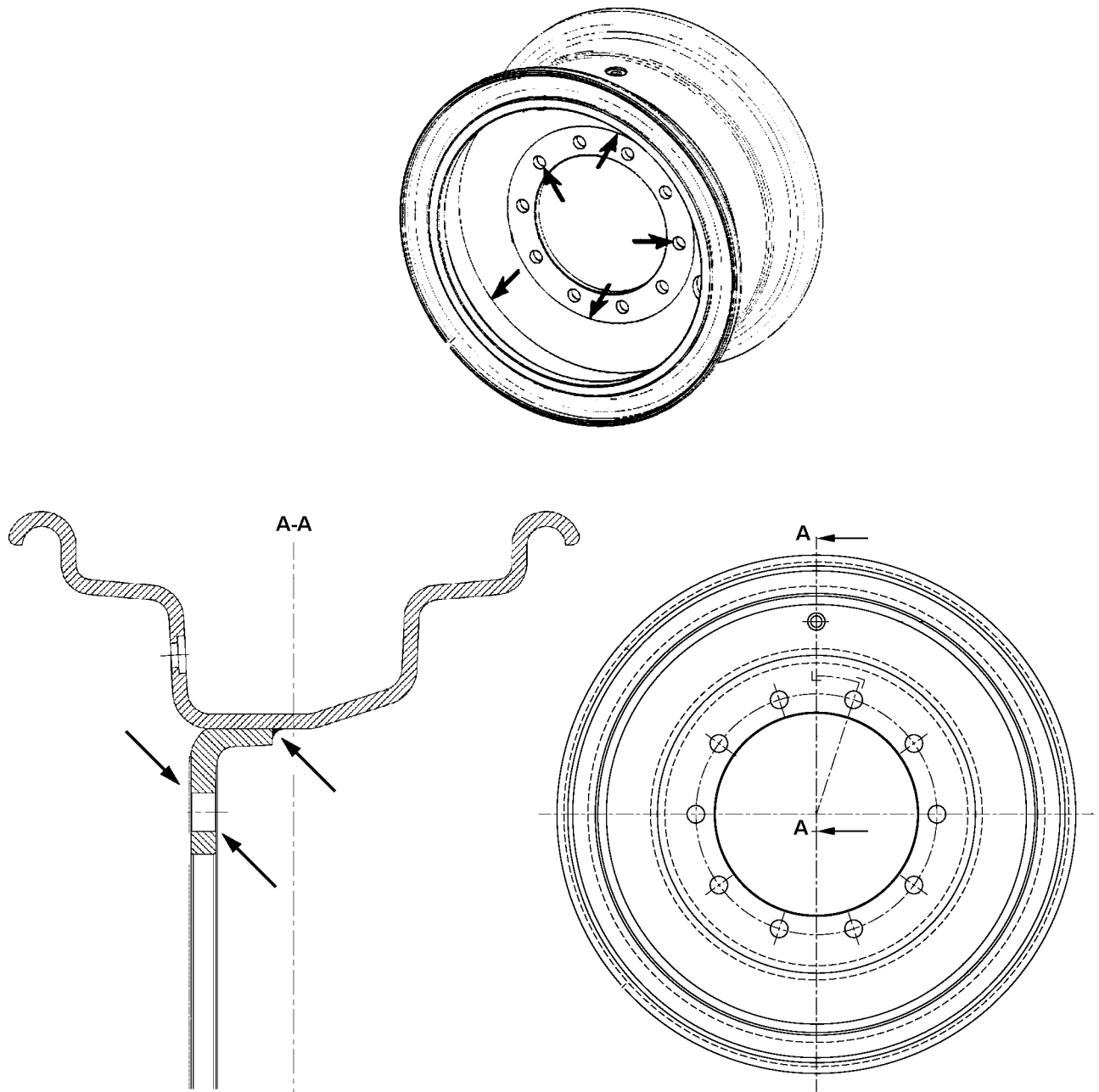


Fig.118052: Example for 1-part disk wheel

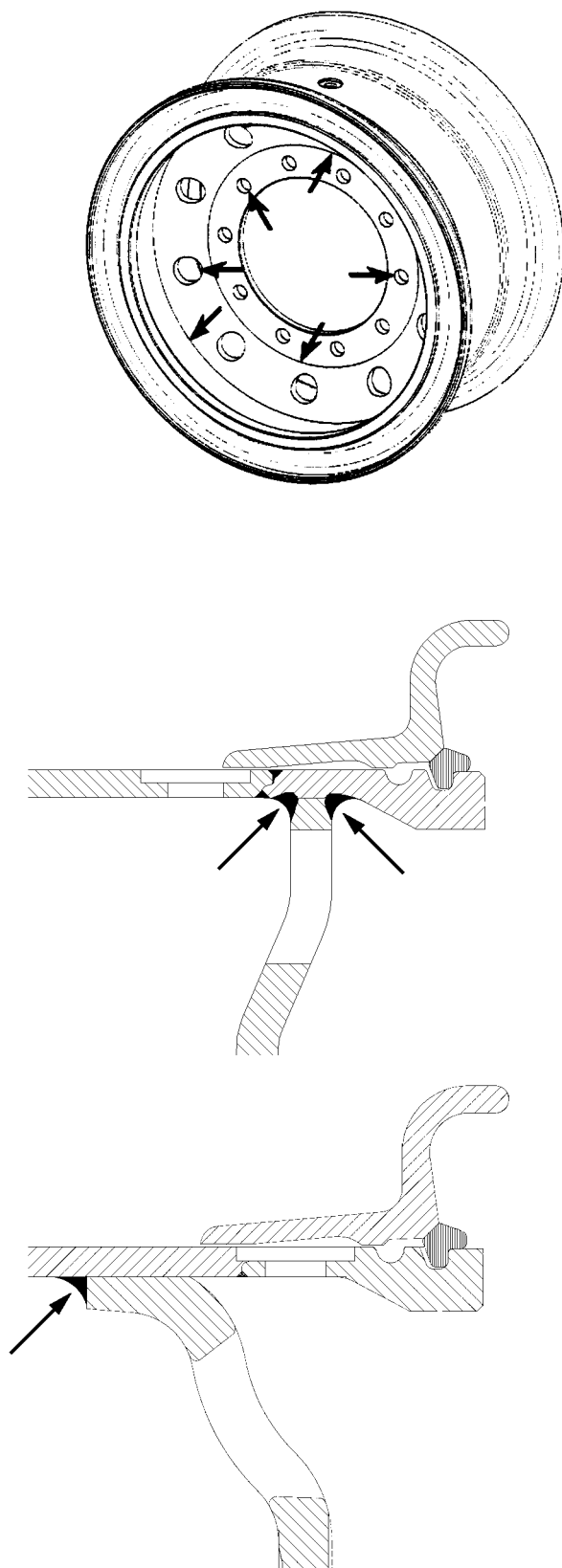
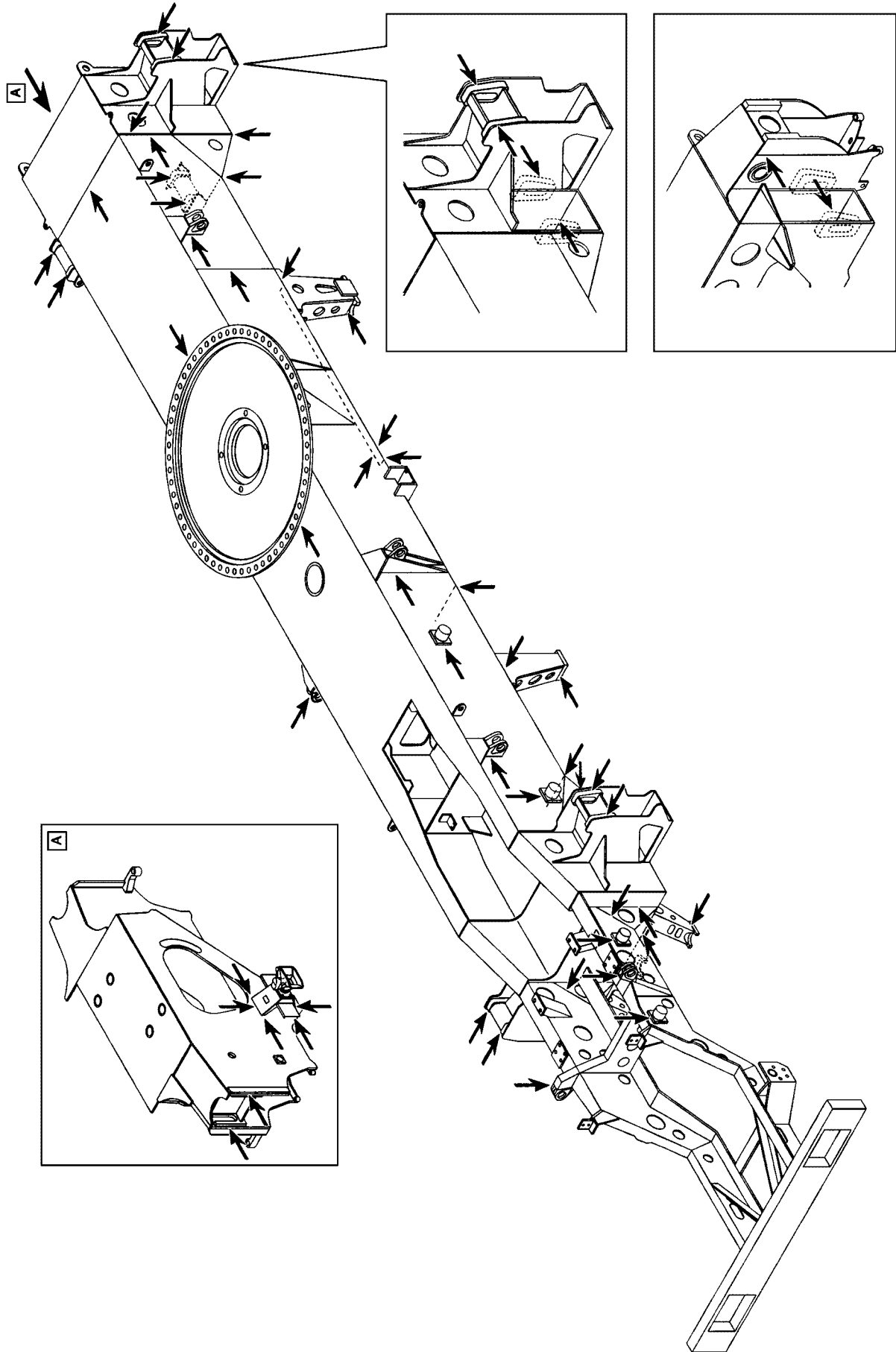


Fig.118053: Example for 3-part disk wheel

LWE/LR 11350-005/19004-04-02/en



LWE/LR 11350-005/19004-04-02/en

Fig.185046: Example for vehicle frames

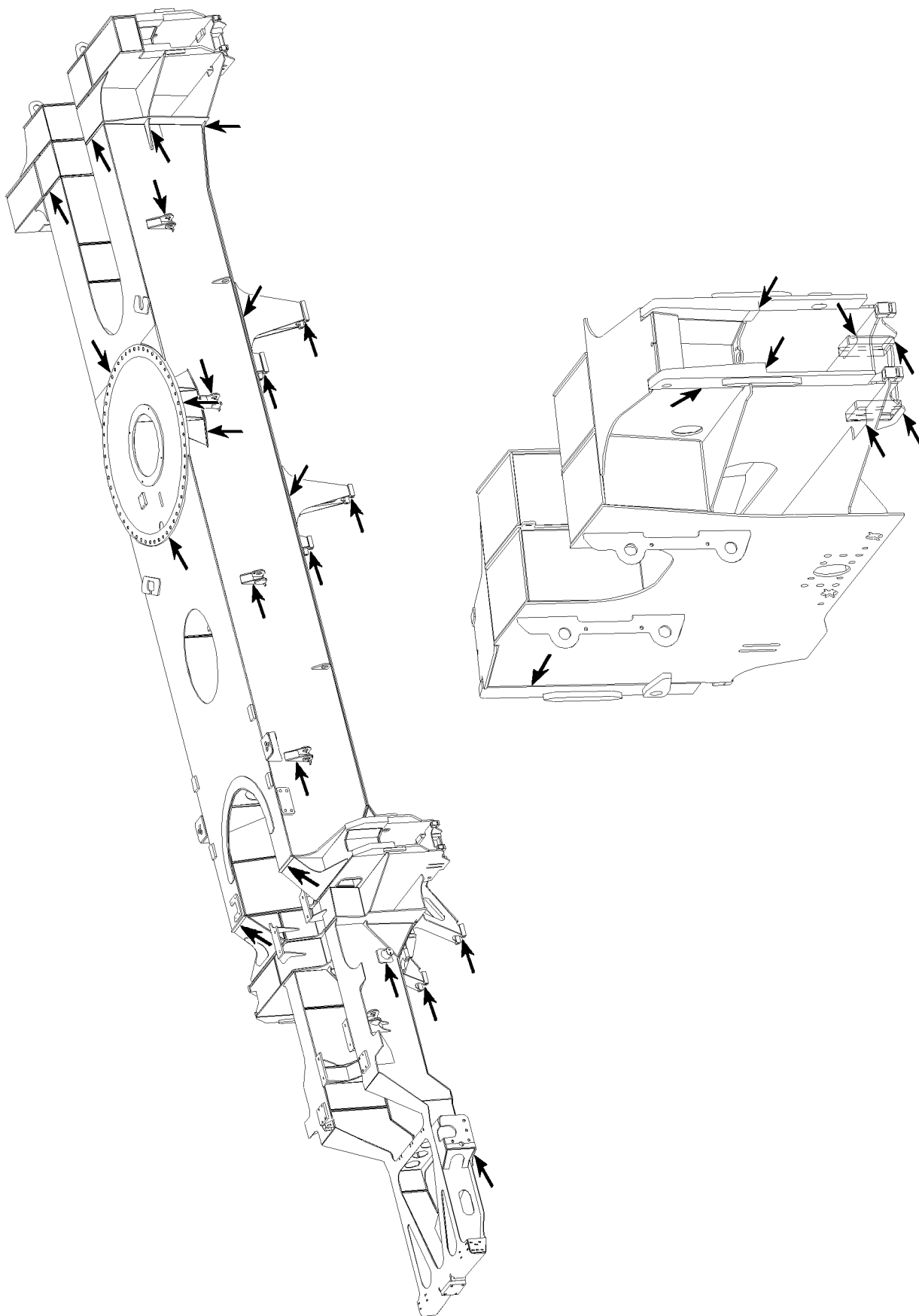
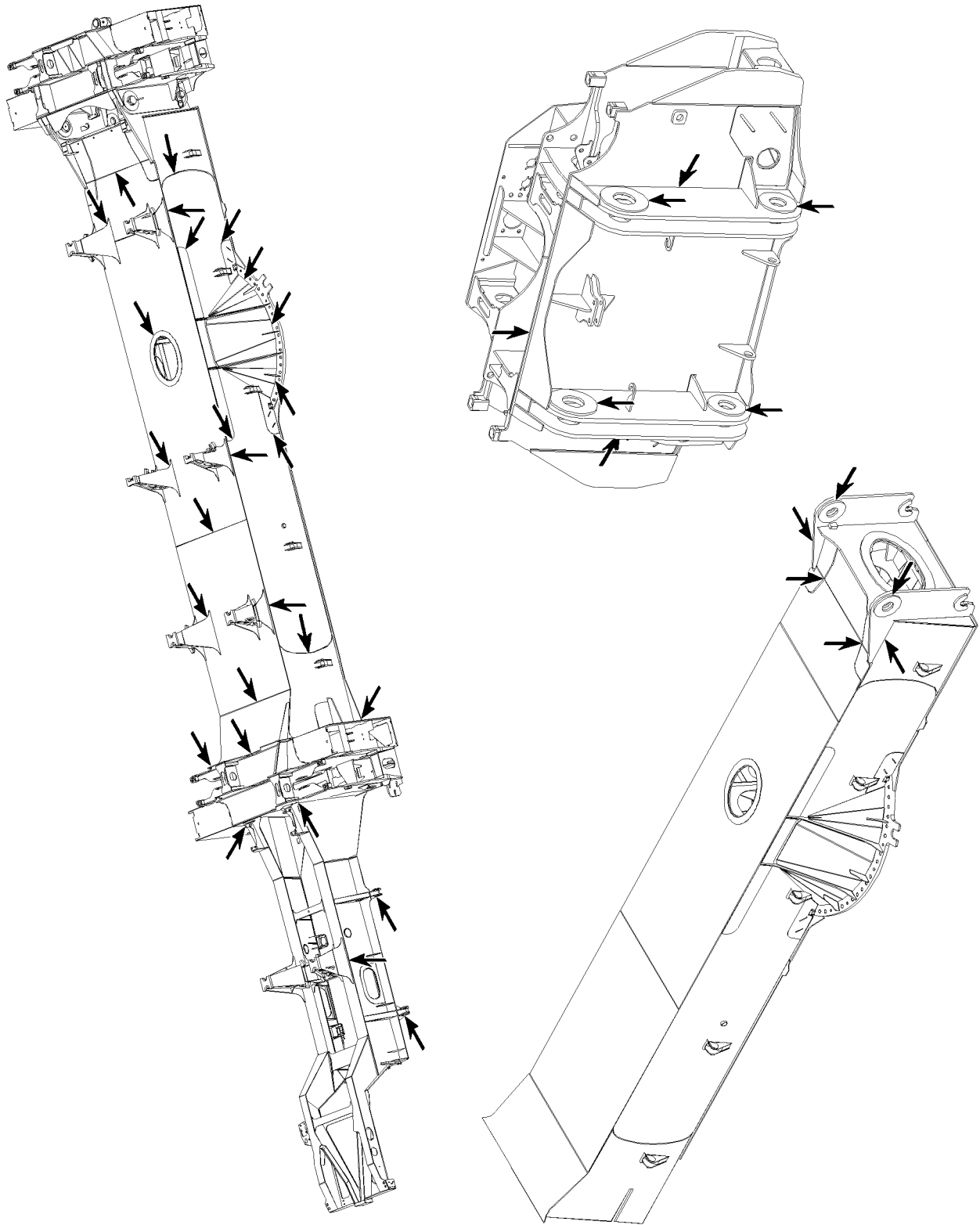


Fig.105702: Example for vehicle frames

LWE/LR 11350-005/19004-04-02/en



LWE/LR 11350-005/190004-04-02/en

Fig.105719: Example for vehicle frames

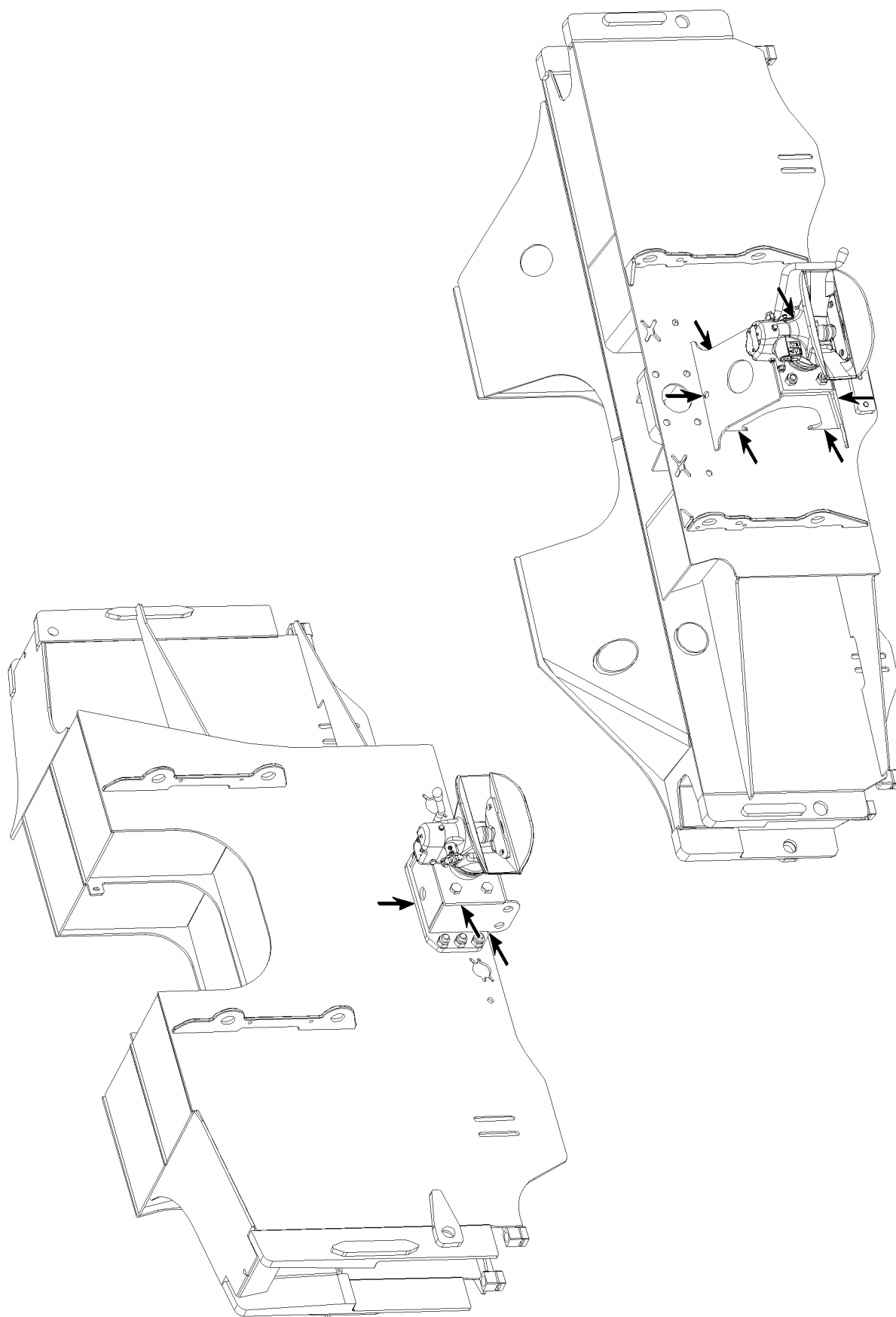
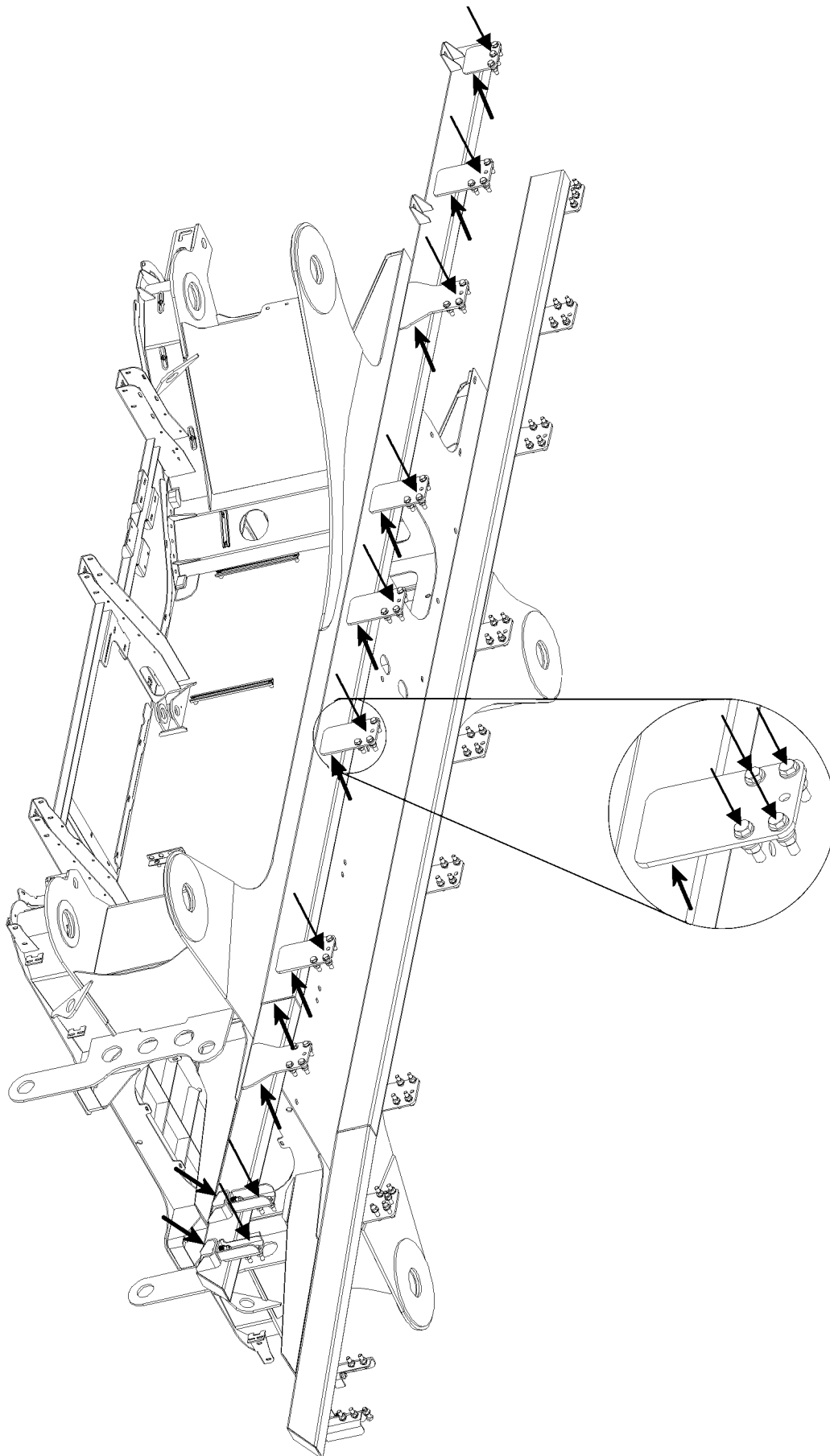


Fig.105687: Example for tow coupling



LWE/LR 11350-005/190004-04-02/en

Fig.113940: Example for intermediate frame

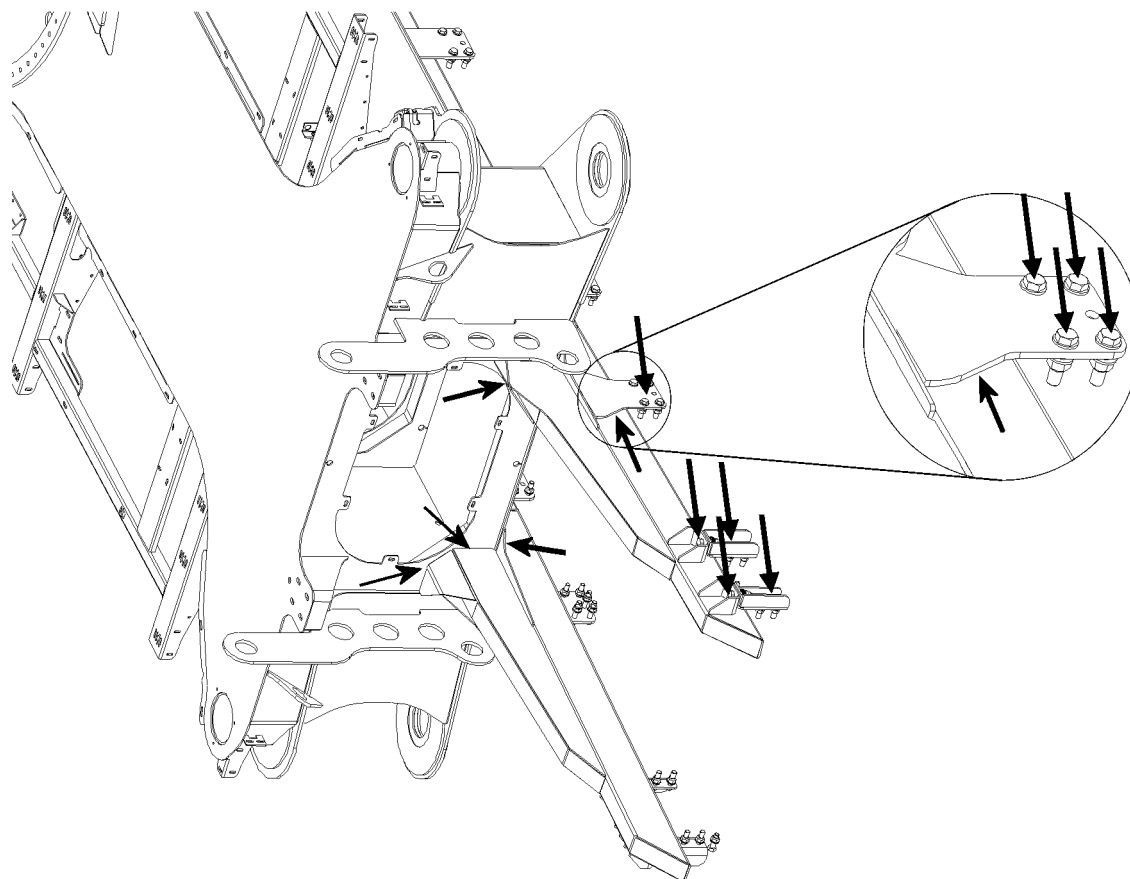
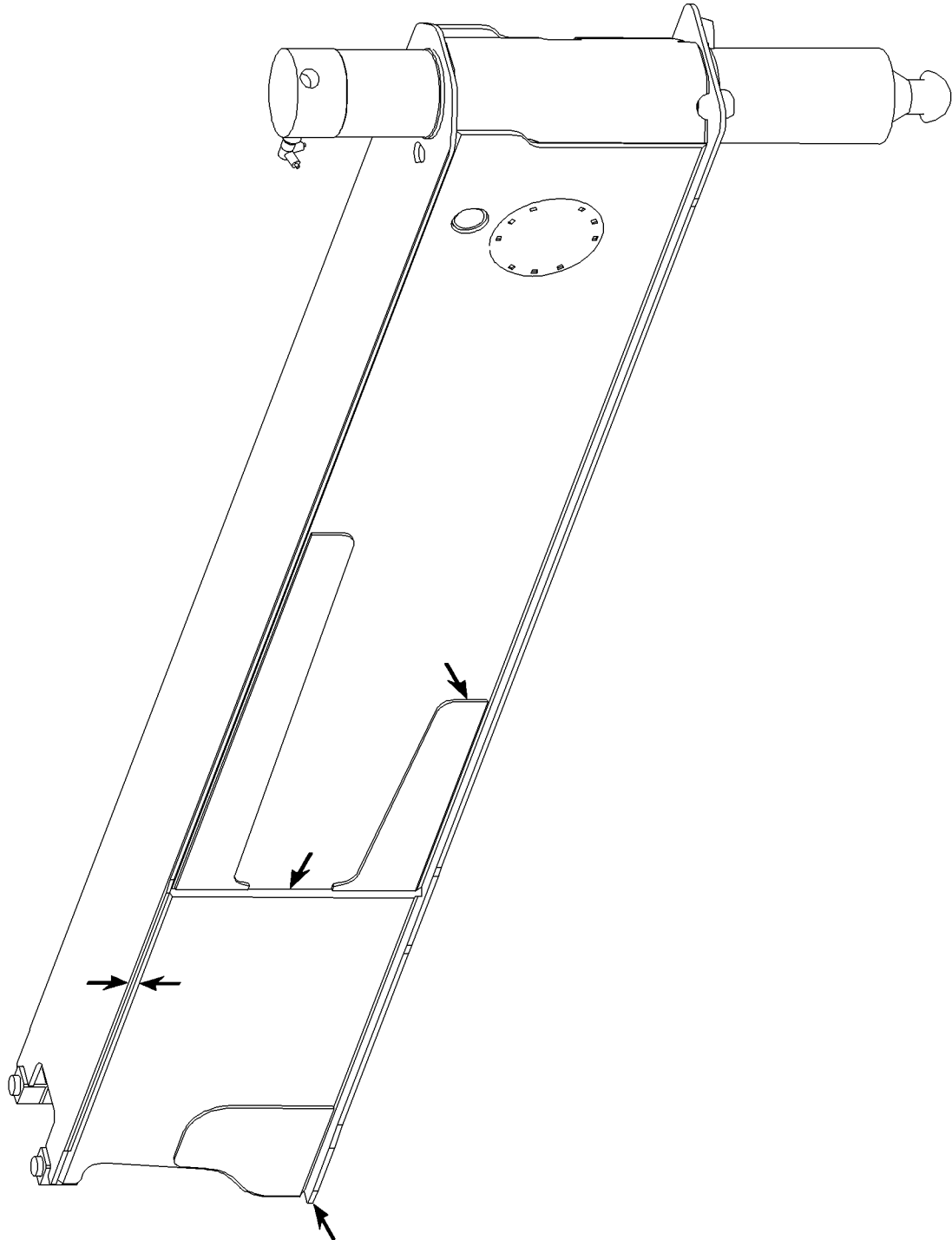


Fig.114000: Example for intermediate frame



LWE/LR 11350-005/190004-04-02/en

Fig.105698: Example for sliding beam

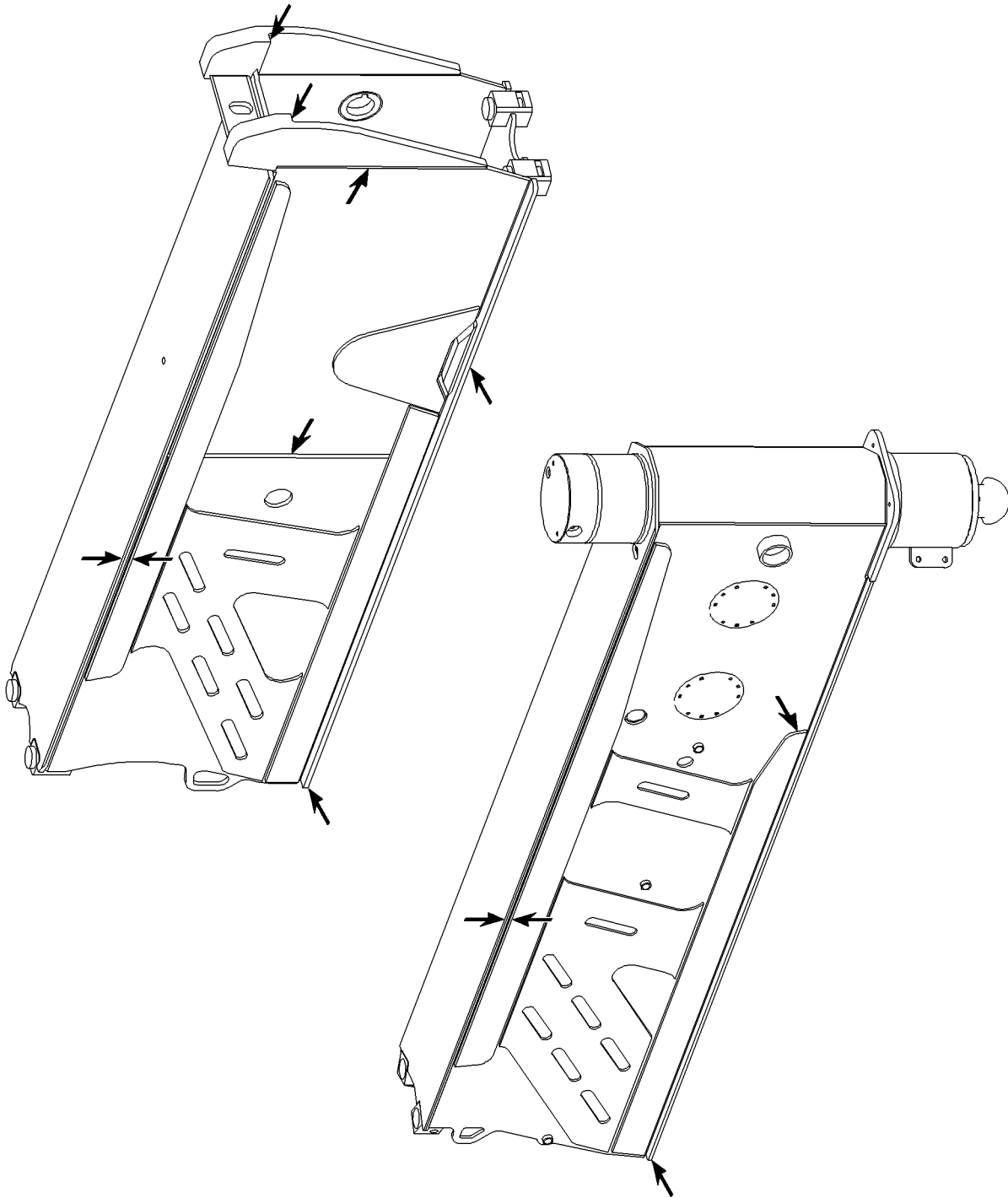
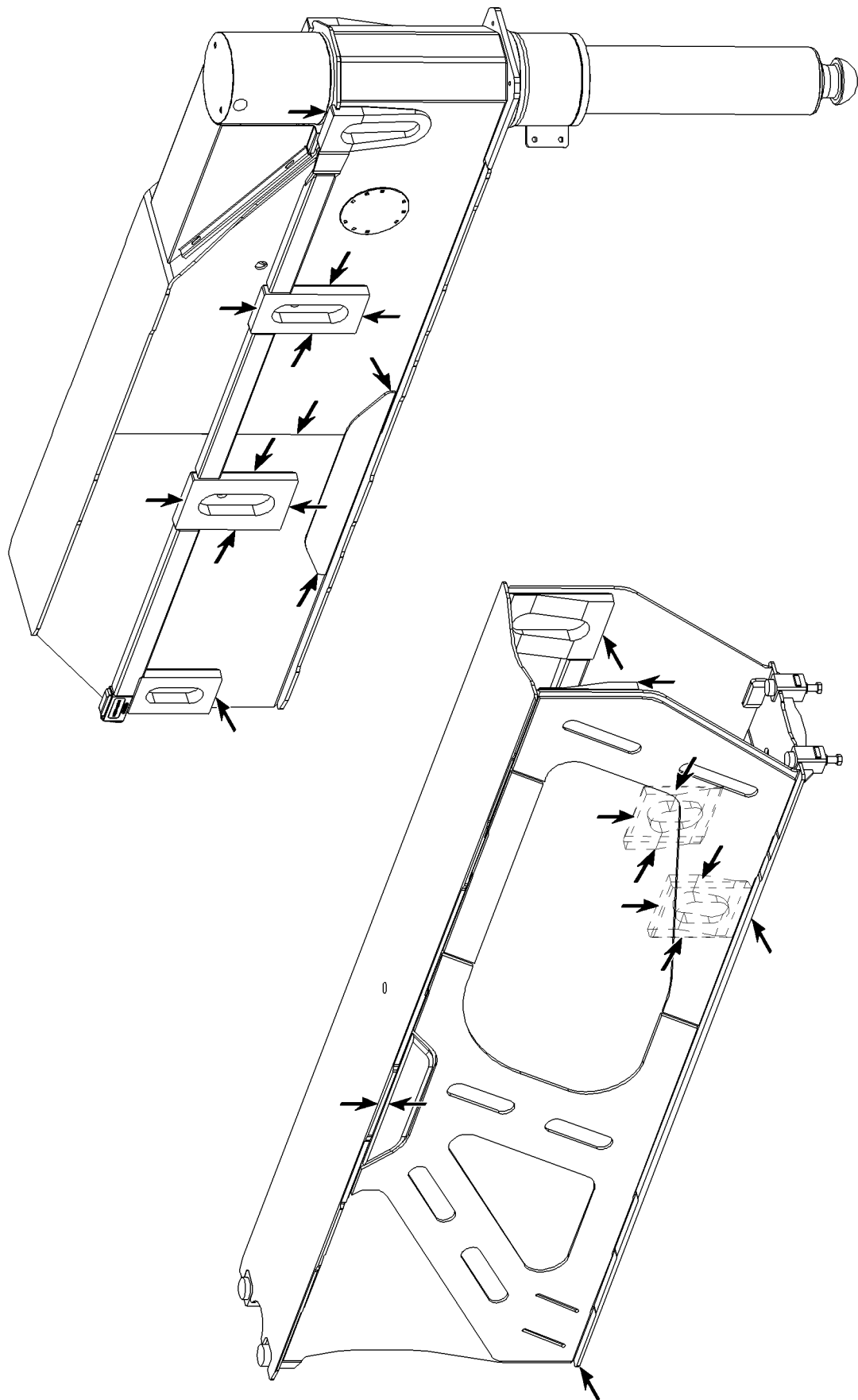


Fig.105717: Example for sliding beam

LWE/LR 11350-005/19004-04-02/en



LWE/LR 11350-005/190004-04-02/en

Fig.105718: Example for sliding beam

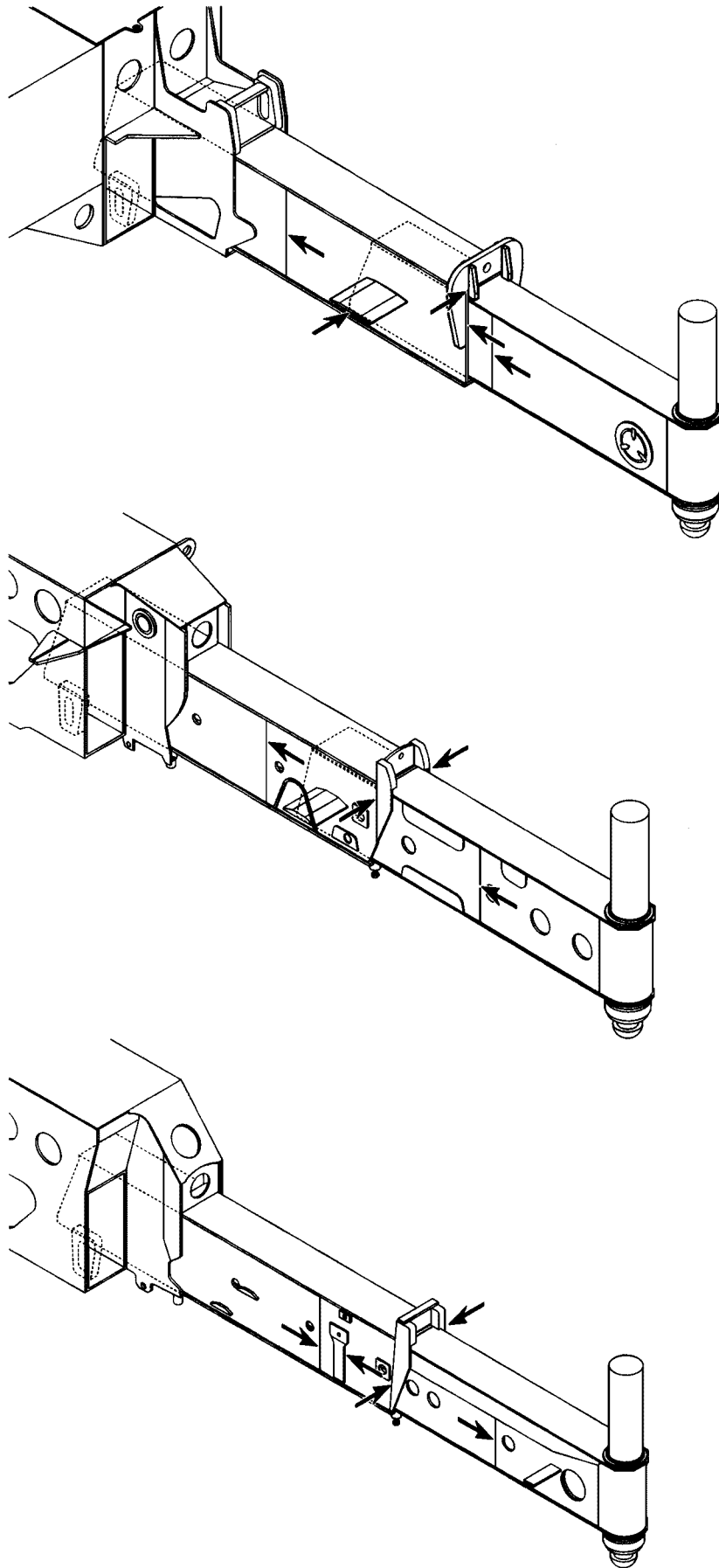
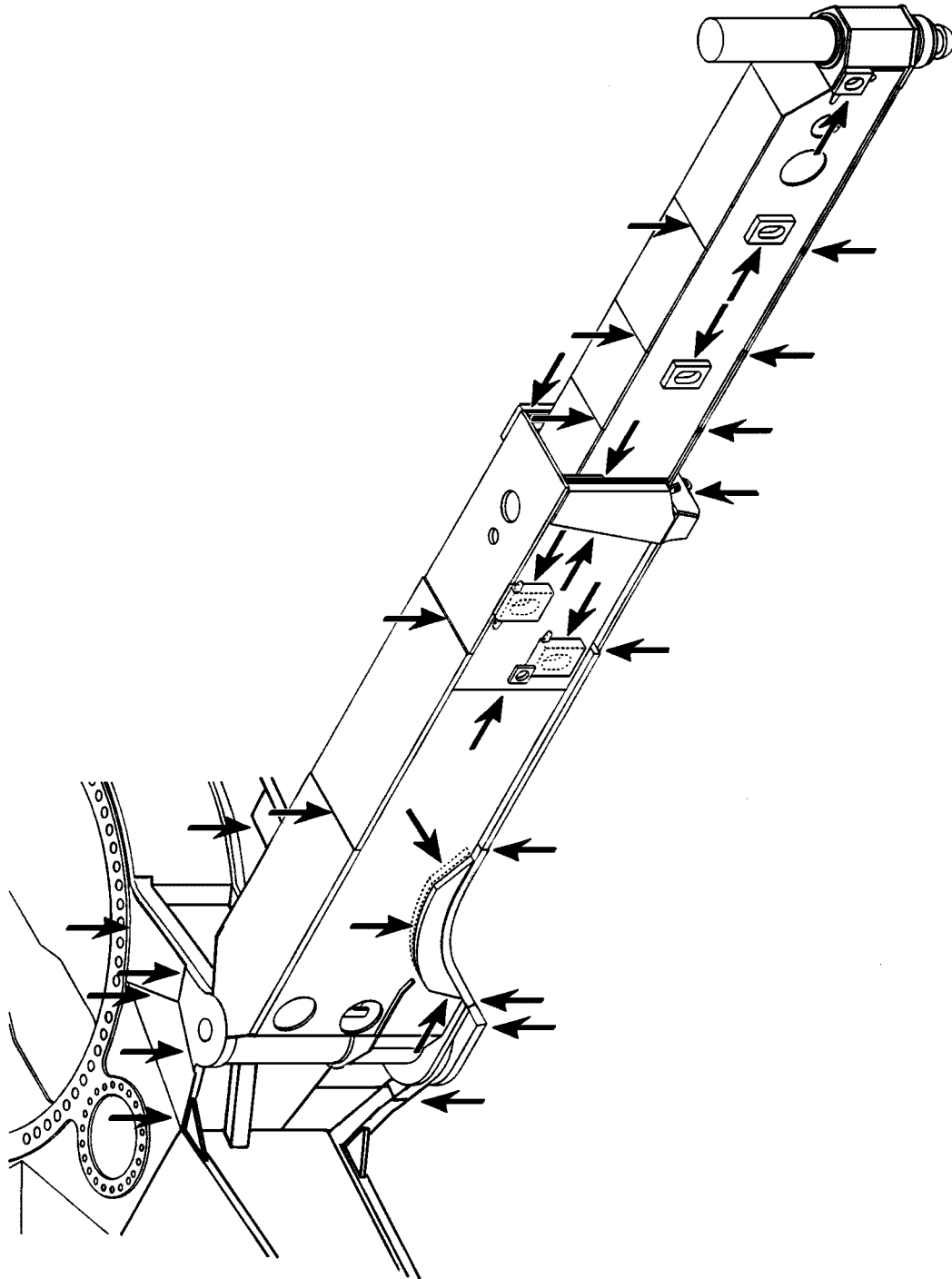


Fig.185047: Example for sliding beam

LWE/LR 11350-005/19004-04-02/en



LWE/LR 11350-005/190004-04-02/en

Fig.185060: Example for swingable sliding beam

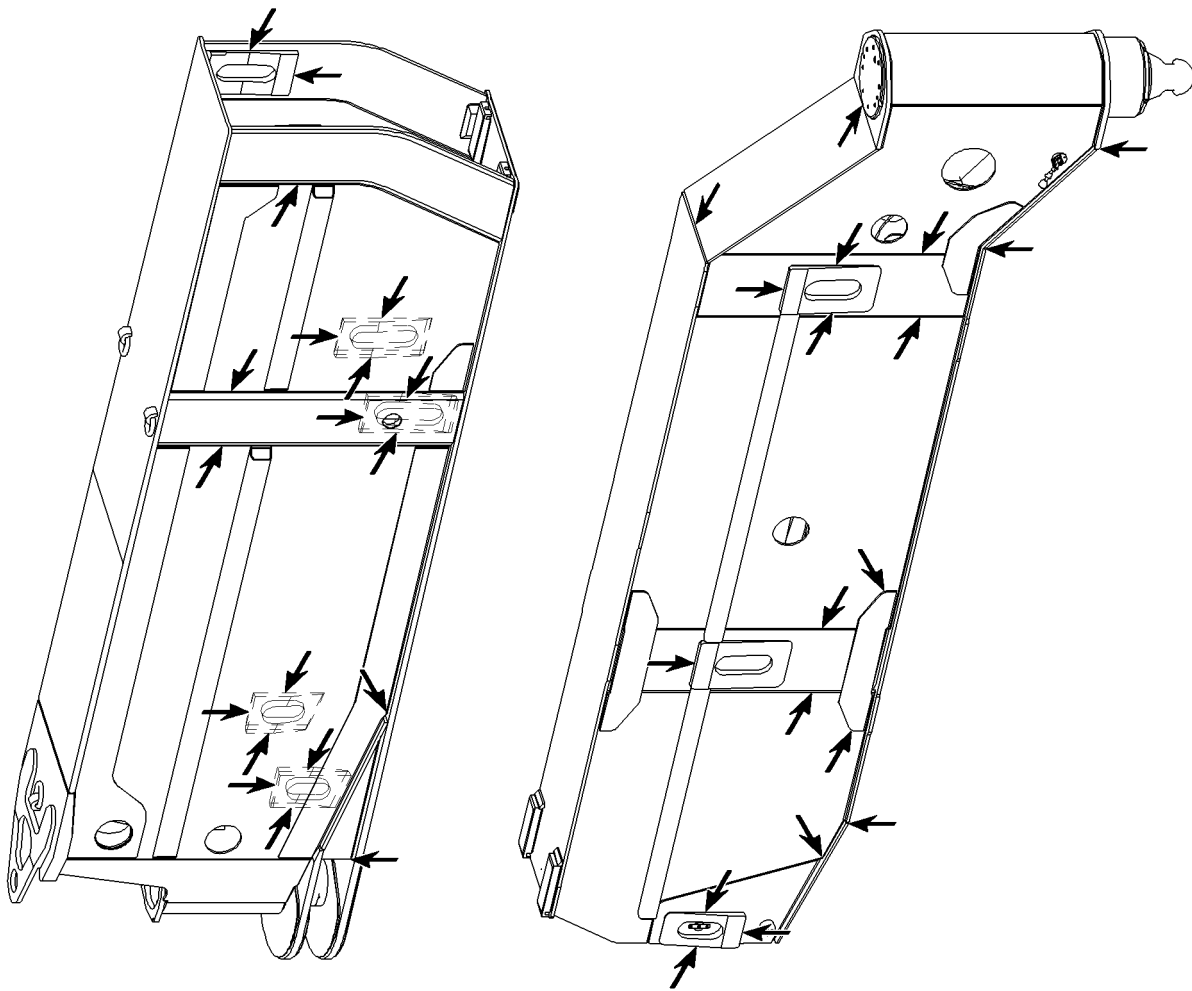
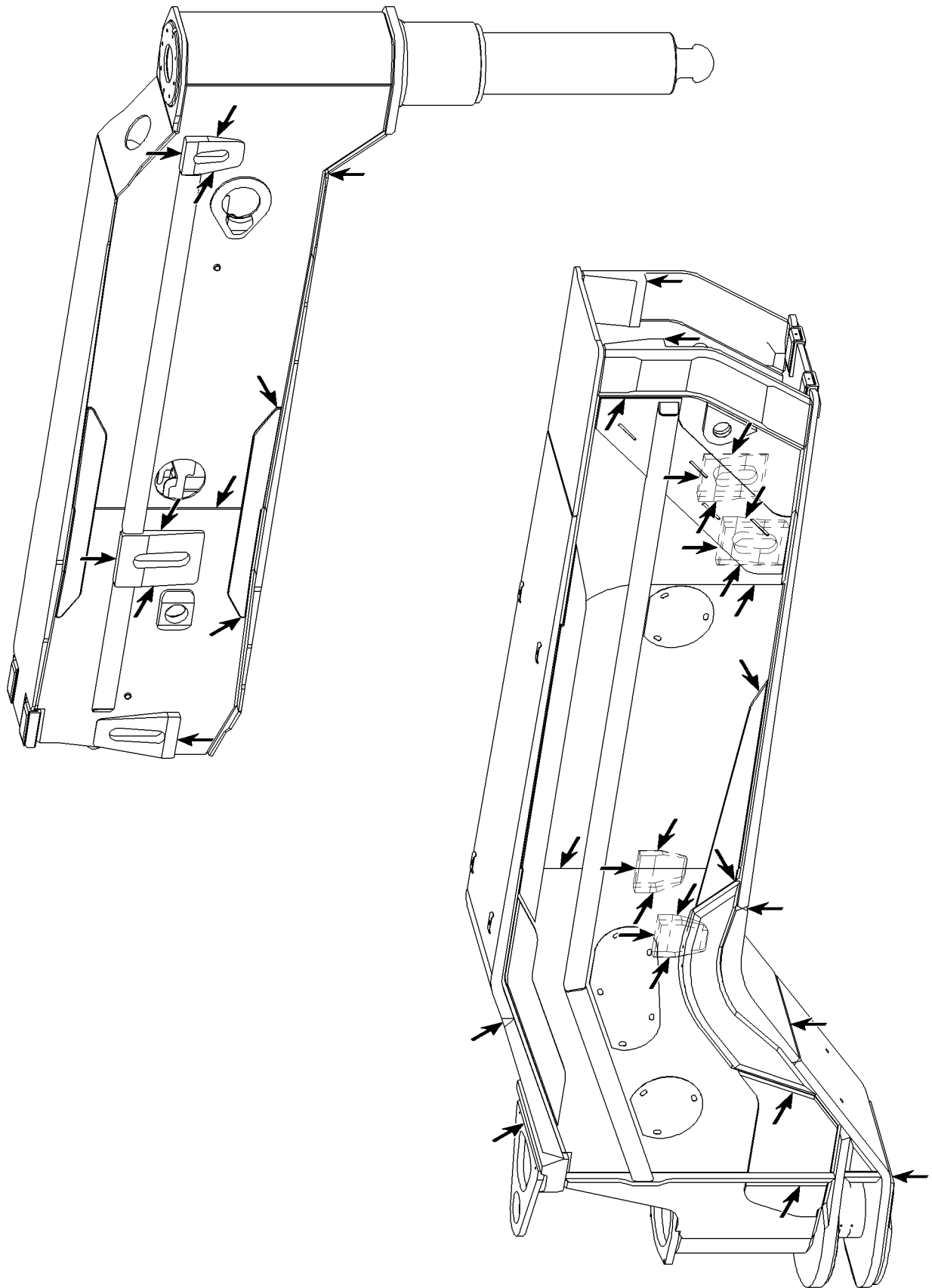


Fig.105690: Example for swingable sliding beam

LWE/LR 11350-005/19004-04-02/en



LWE/LR 11350-005/19004-04-02/en

Fig.105704: Example for swingable sliding beam

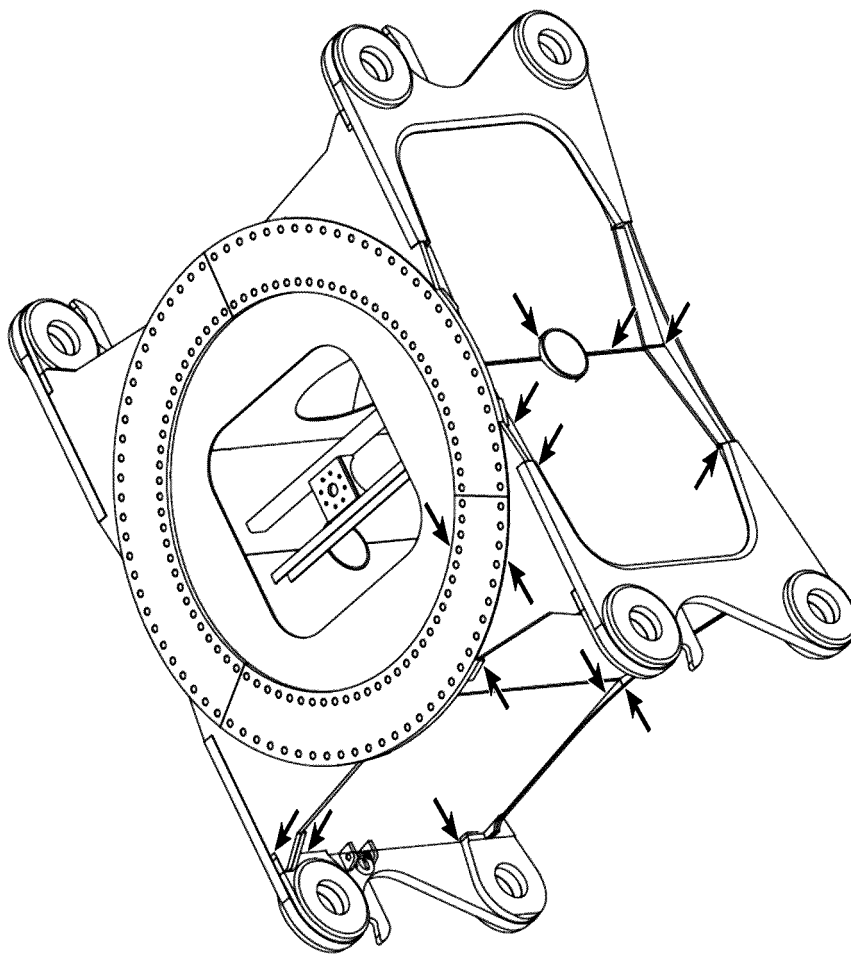
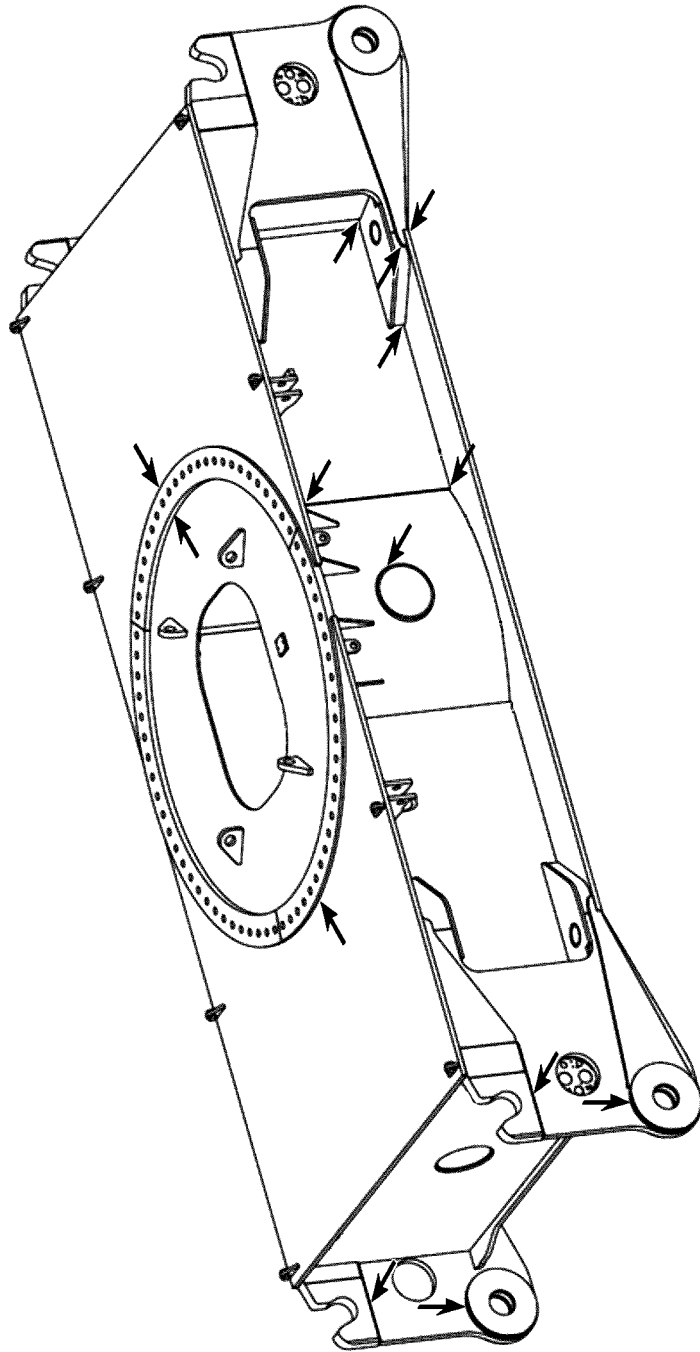


Fig.105725: Example for crawler center section

LWE/LR 11350-005/19004-04-02/en



LWE/LR 11350-005/190004-04-02/en

Fig.105726: Example for crawler center section

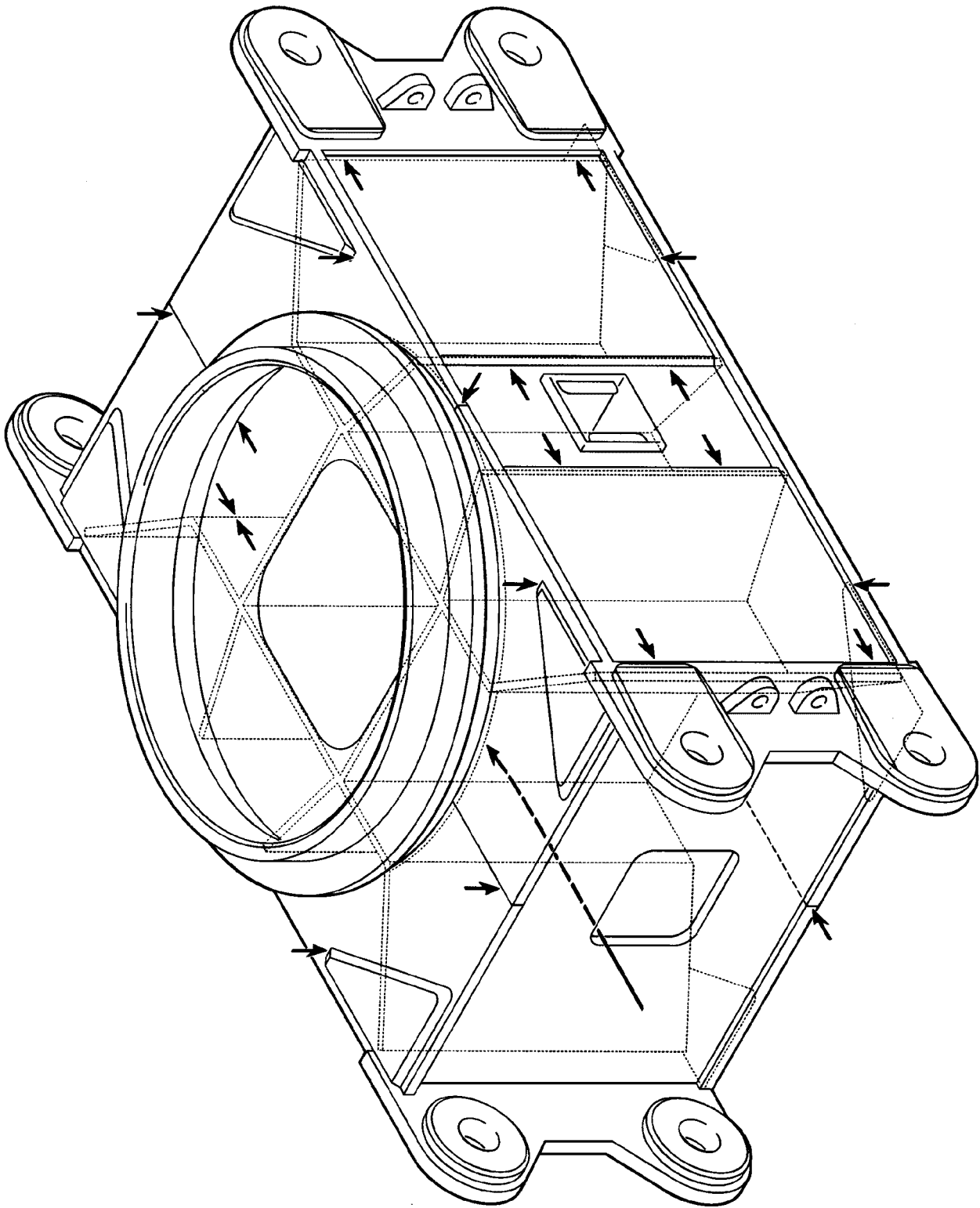
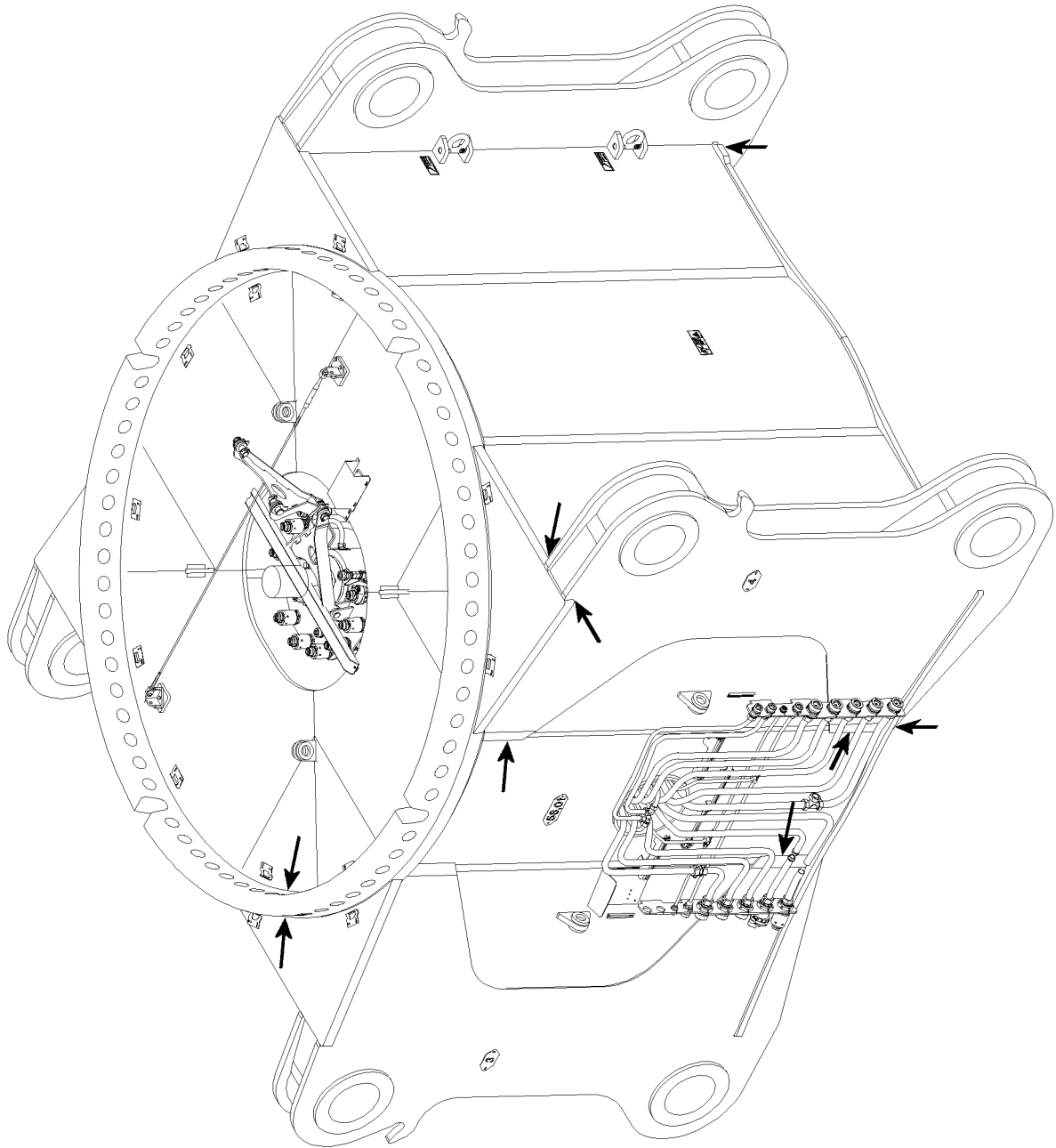


Fig.187347: Example for crawler center section

LWE/LR 11350-005/19004-04-02/en



LWE/LR 11350-005/19004-04-02/en

Fig.115920: Example for crawler center section

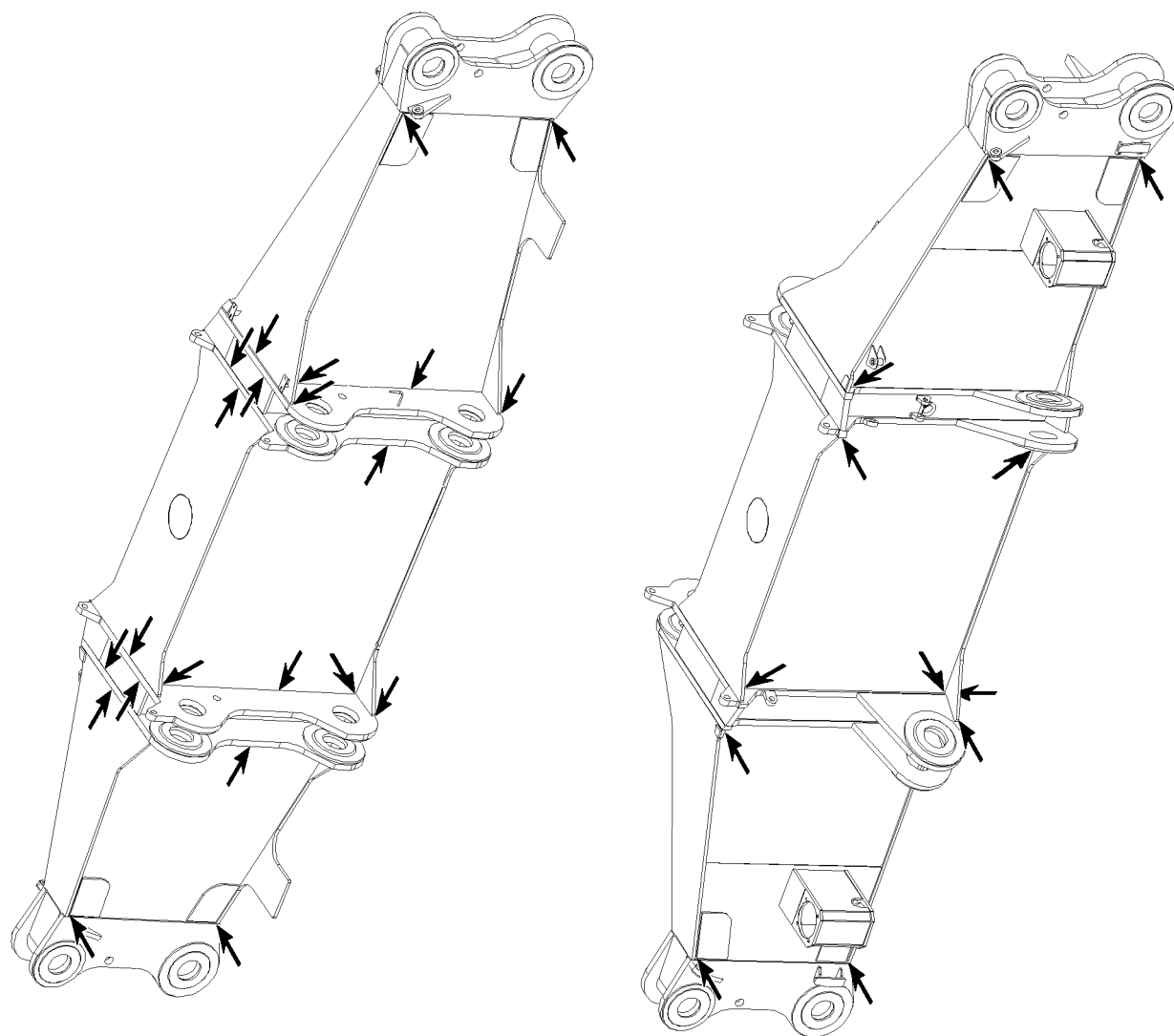
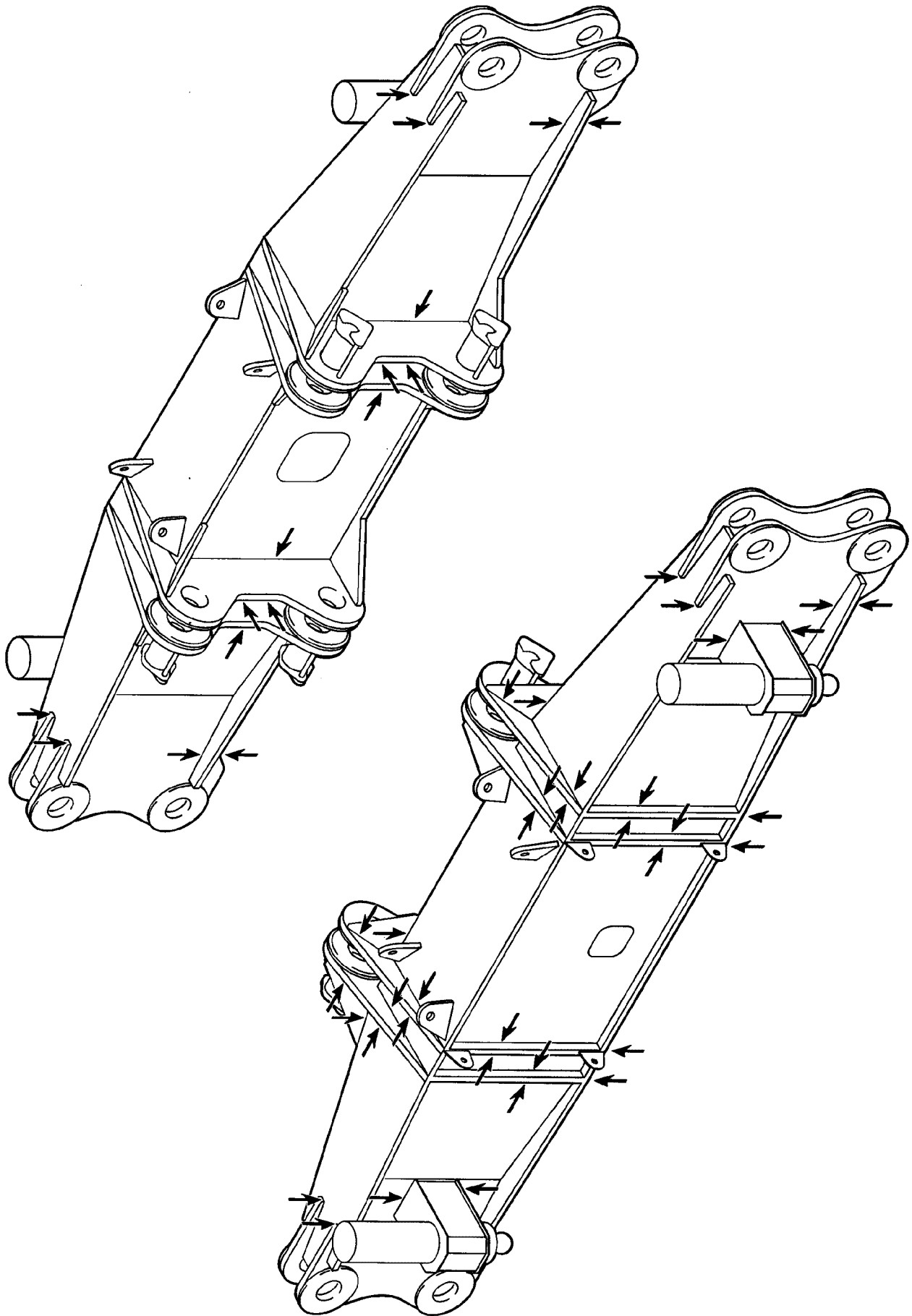


Fig.105727: Example for cross carrier

LWE/LR 11350-005/19004-04-02/en



LWE/LR 11350-005/19004-04-02/en

Fig.187348: Example for cross carrier

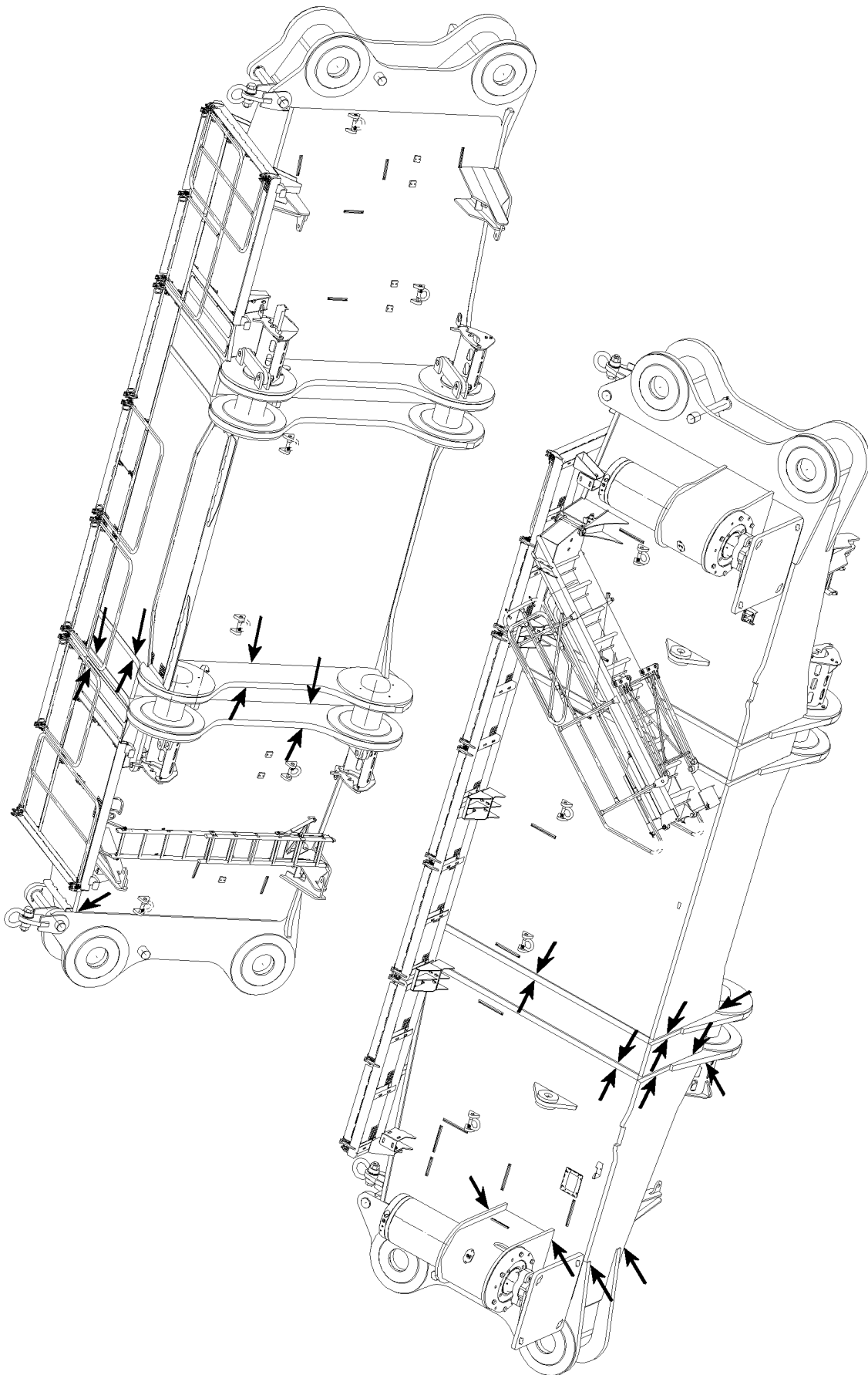
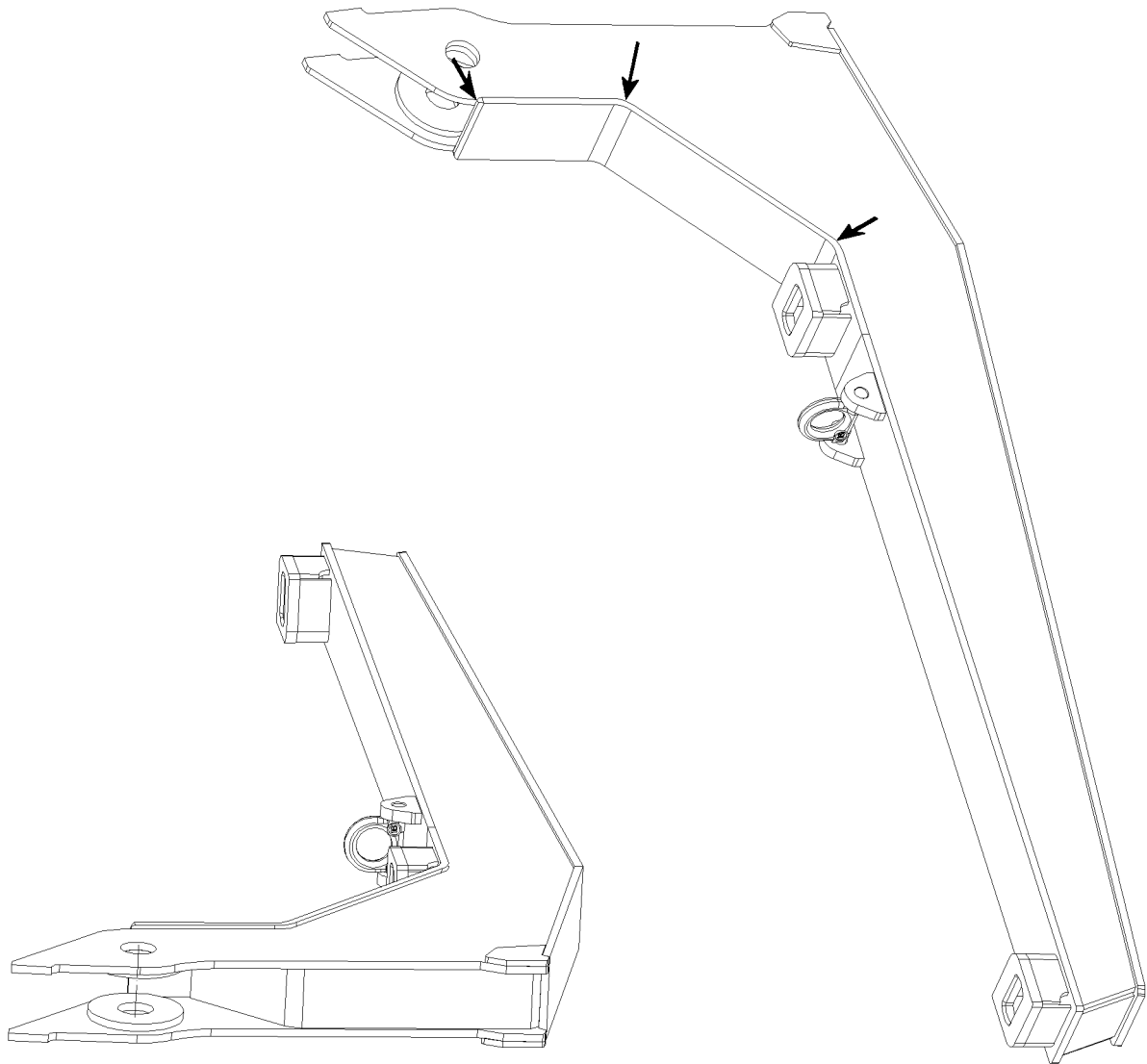


Fig.115921: Example for cross carrier

LWE/LR 11350-005/19004-04-02/en



LWE/LR 11350-005/19004-04-02/en

Fig.115919: Example for carrier for central ballast

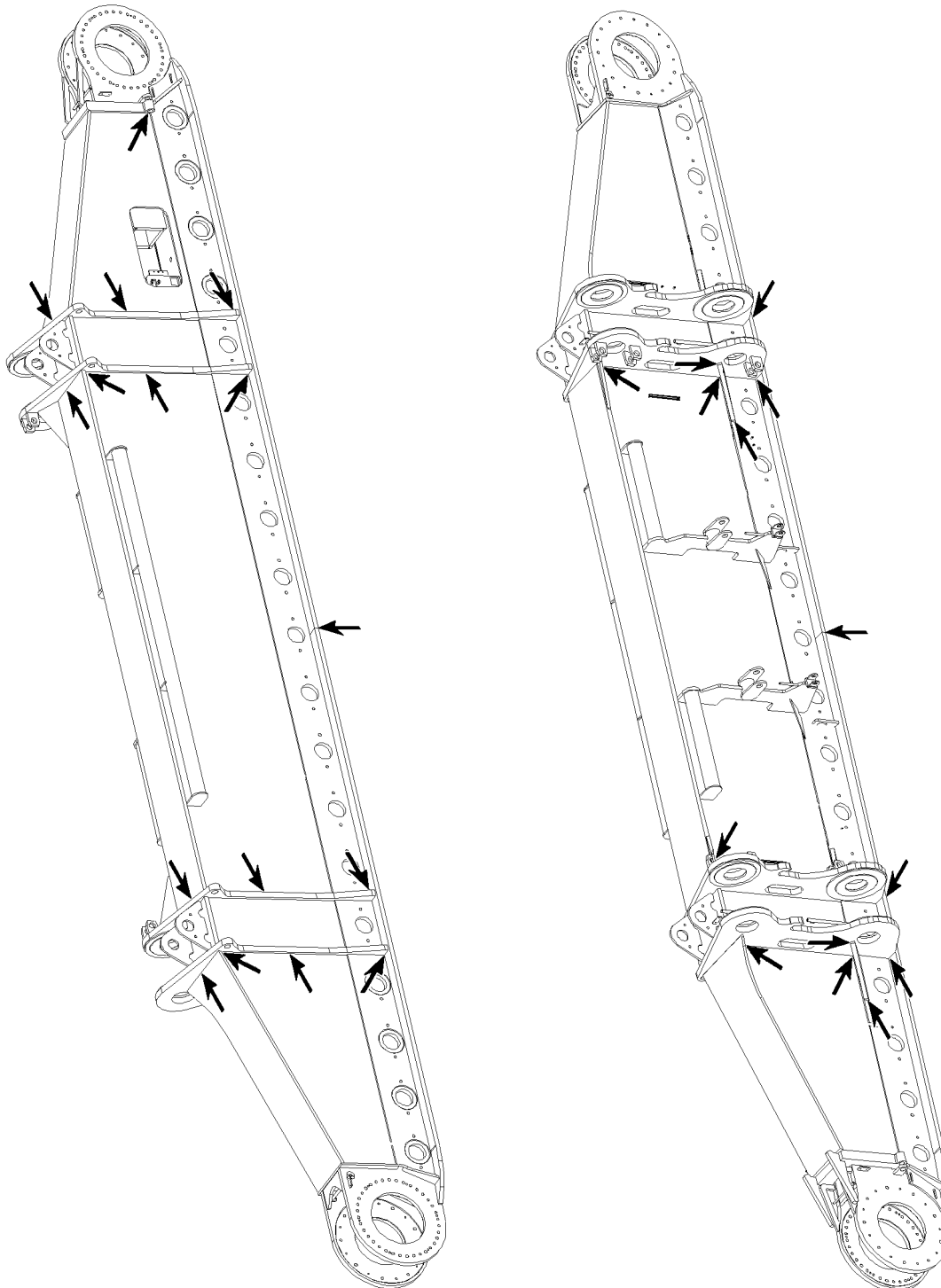
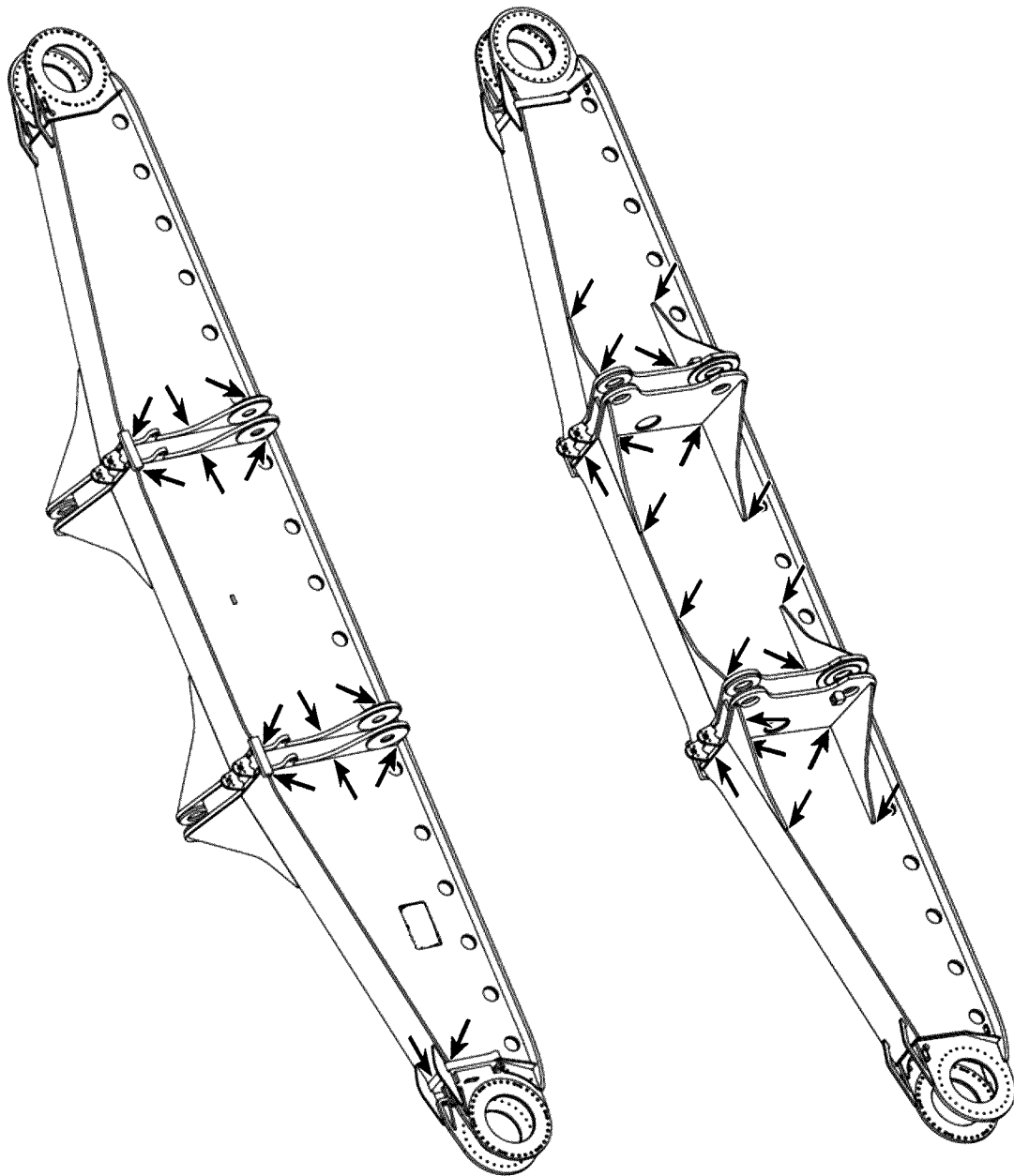


Fig.105728: Example for crawler carrier

LWE/LR 11350-005/19004-04-02/en



LWE/LR 11350-005/190004-04-02/en

Fig.105729: Example for crawler carrier

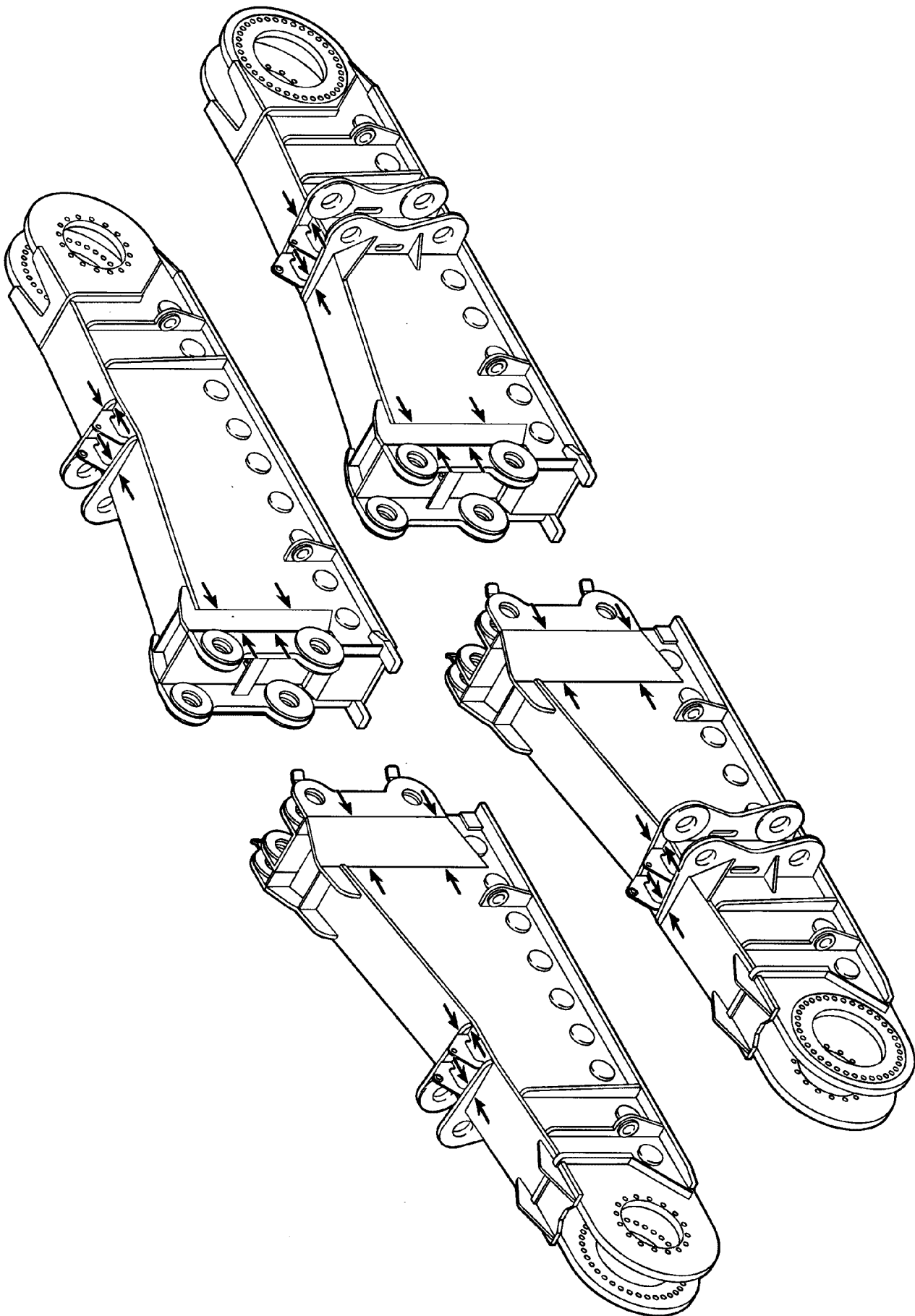
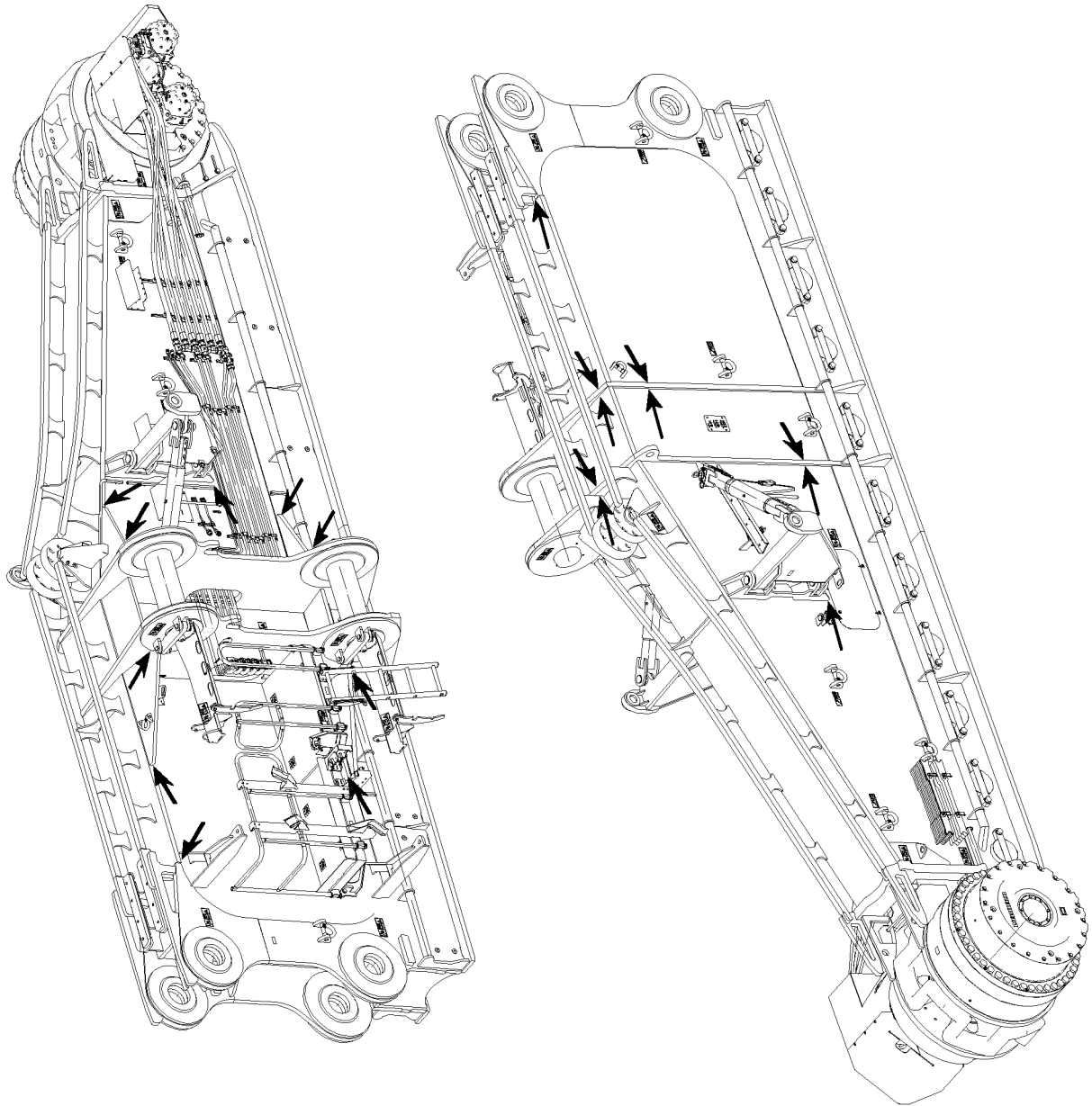


Fig.187349: Example for crawler carrier

LWE/LR 11350-005/19004-04-02/en



LWE/LR 11350-005/19004-04-02/en

Fig.115917: Example for crawler carrier

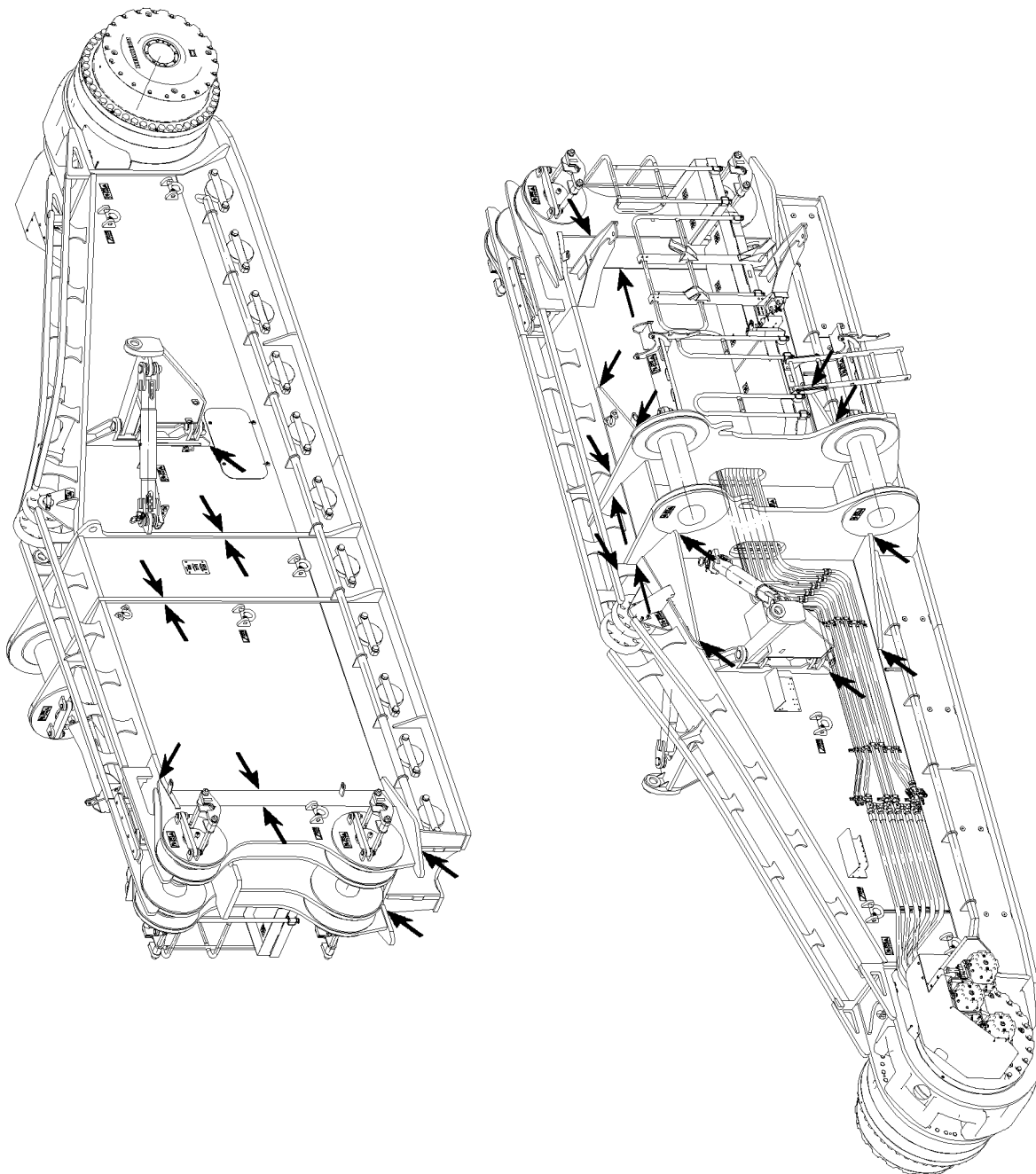
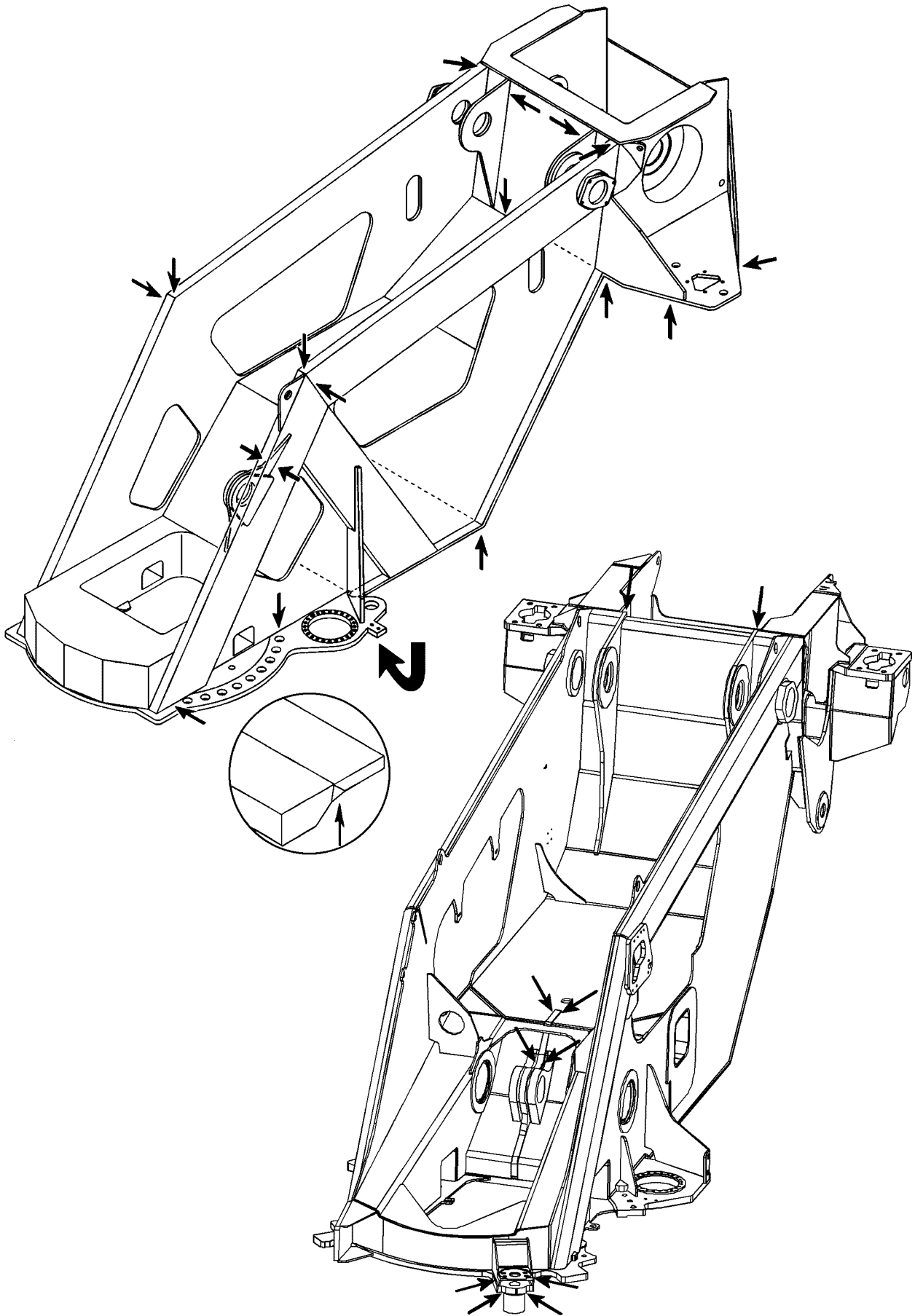


Fig.115918: Example for crawler carrier



LWE/LR 11350-005/19004-04-02/en

Fig.185048: Example for turntable frame

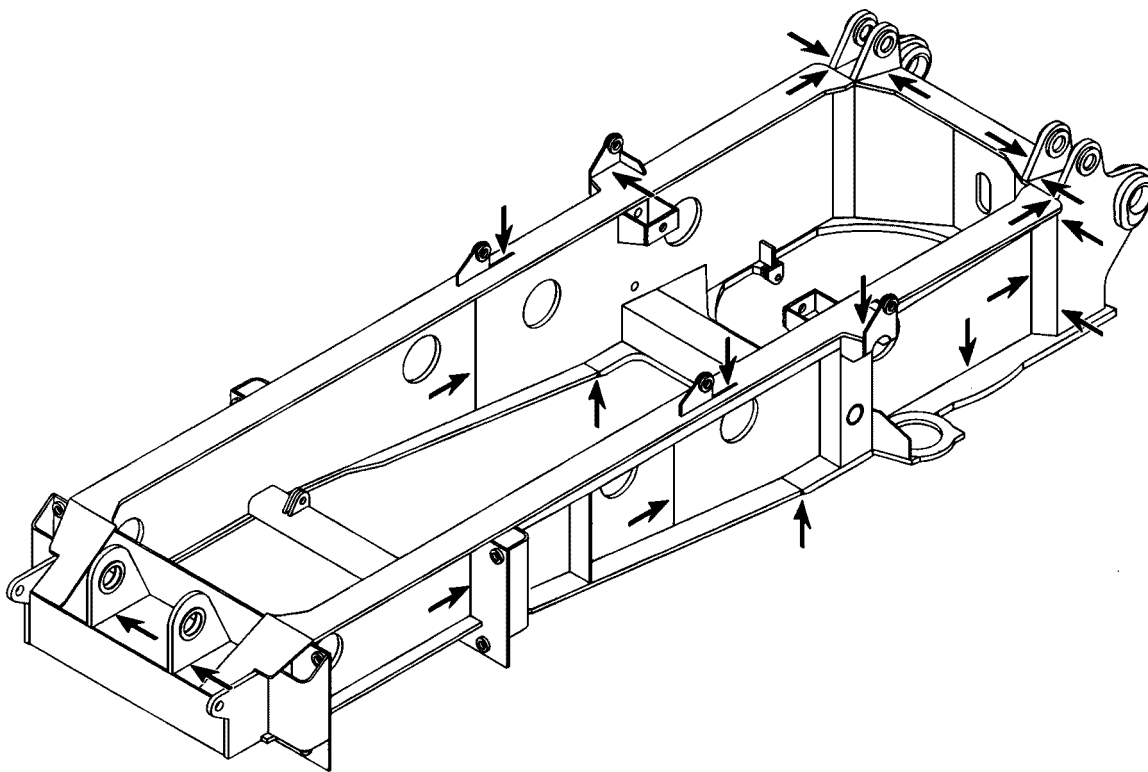


Fig.185049: Example for turntable frame

LWE/LR 11350-005/19004-04-02/en

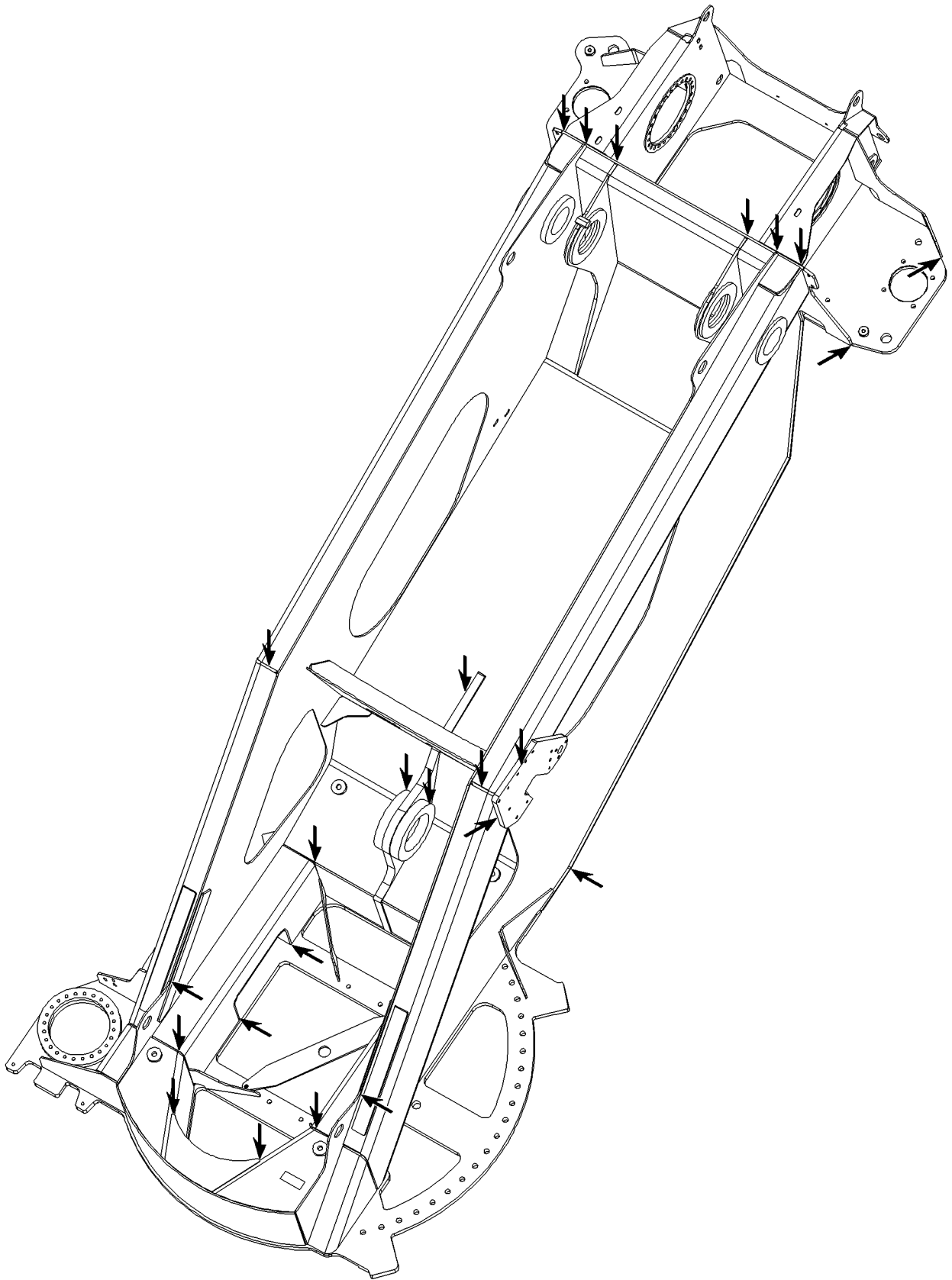


Fig.105700: Example for turntable frame

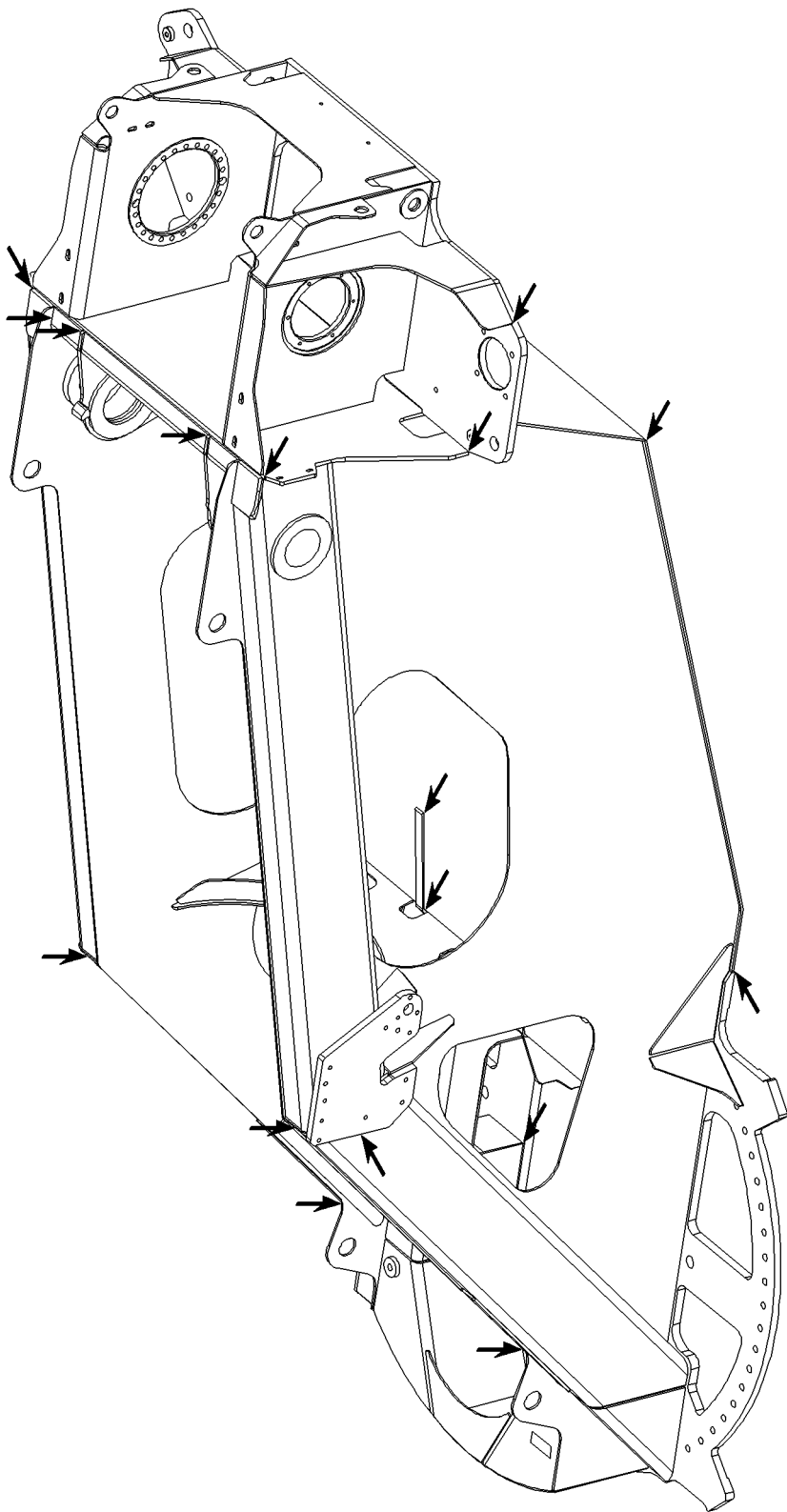
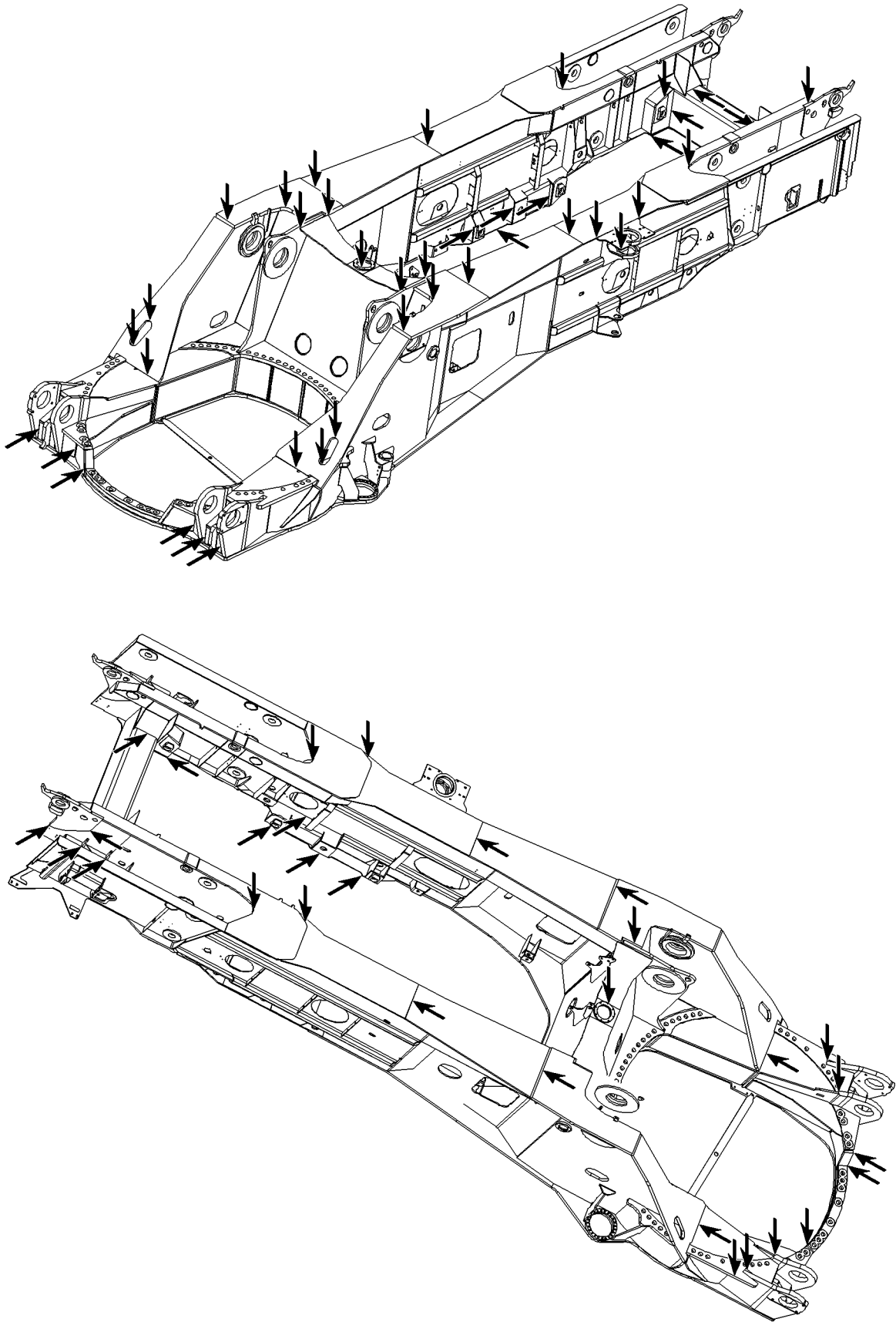


Fig.105701: Example for turntable frame



LWE/LR 11350-005/190004-04-02/en

Fig.105706: Example for turntable frame

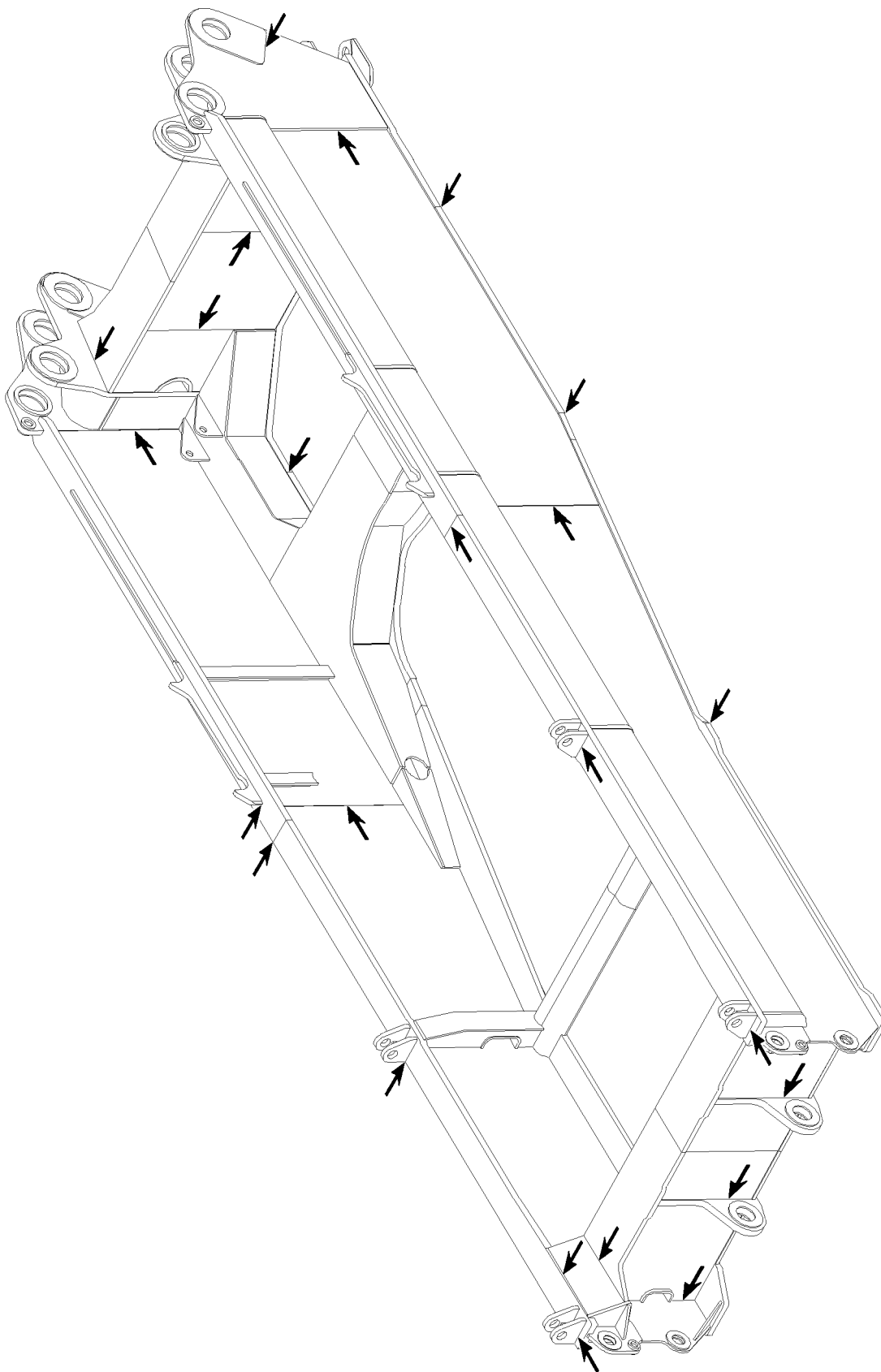
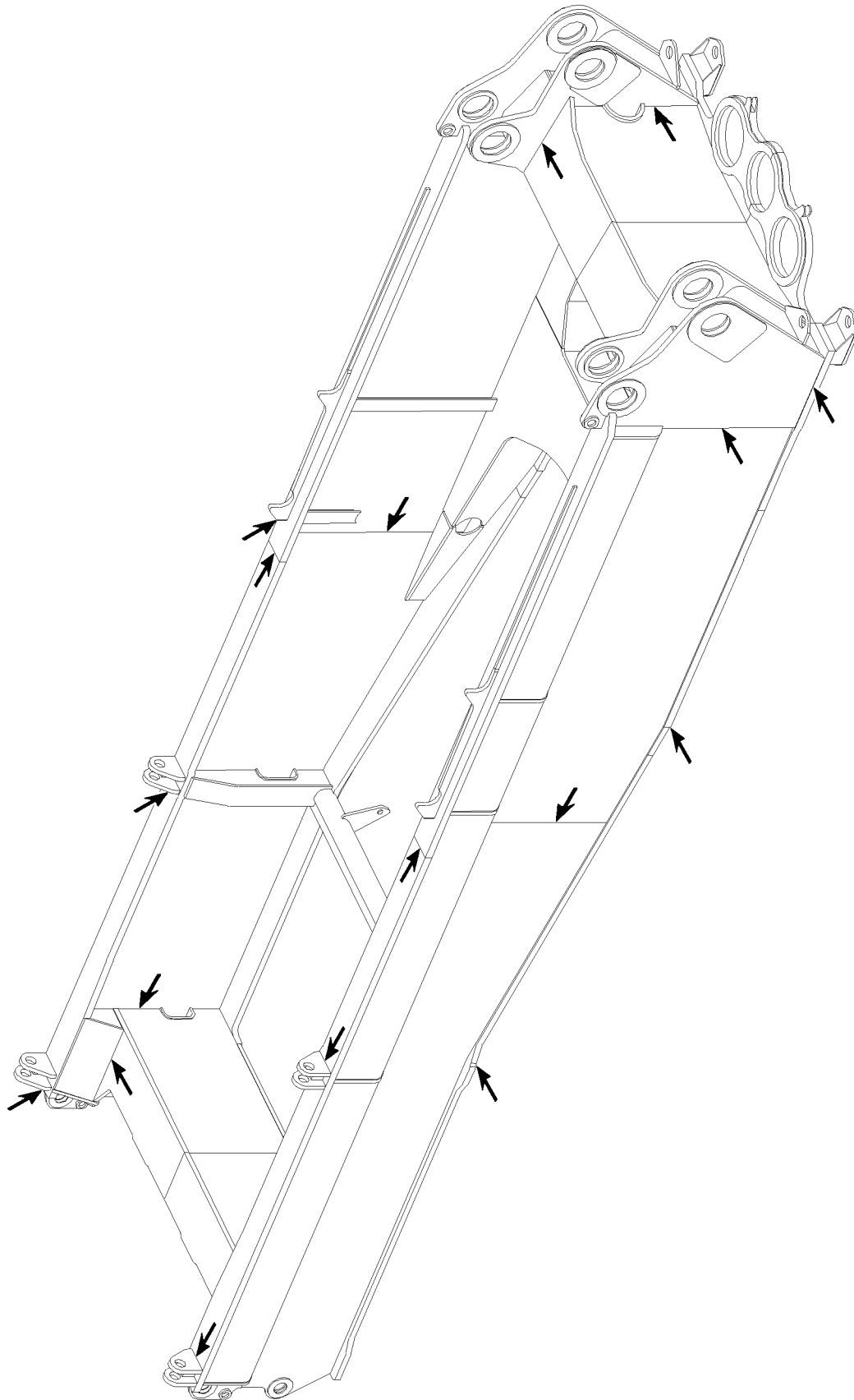


Fig.105694: Example for turntable frame

LWE/LR 11350-005/19004-04-02/en



LWE/LR 11350-005/19004-04-02/en

Fig.105695: Example for turntable frame

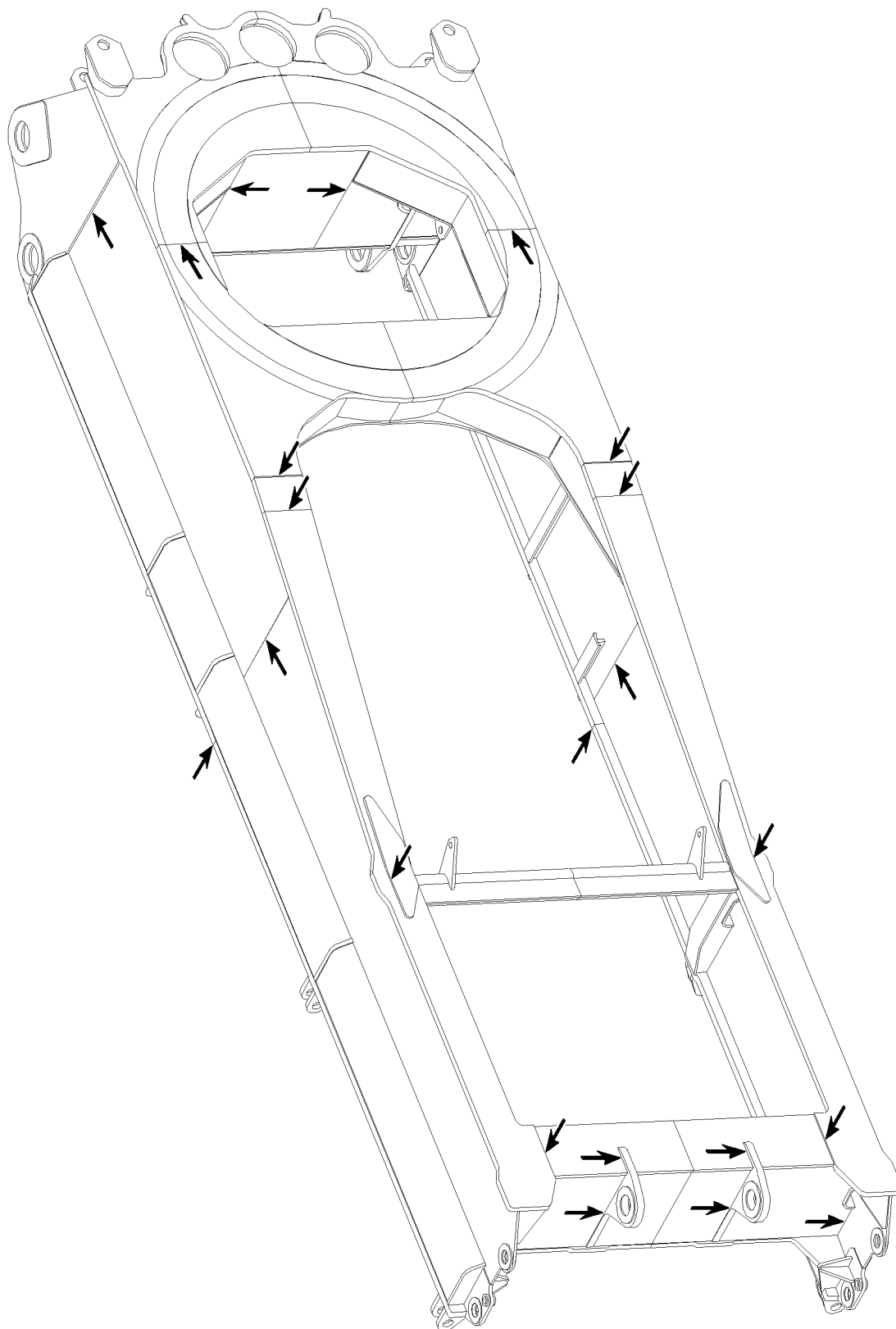
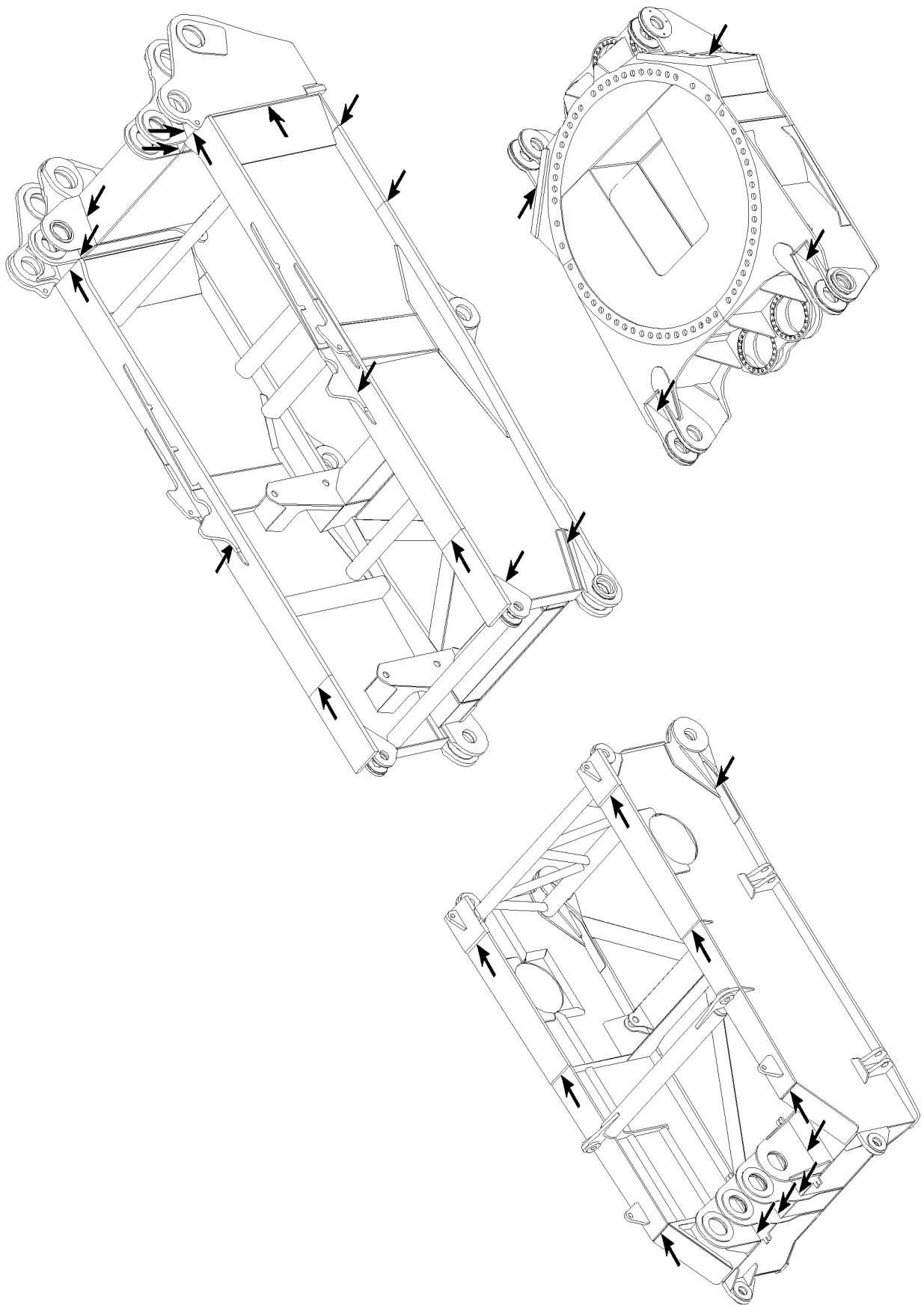


Fig.105696: Example for turntable frame

LWE/LR 11350-005/19004-04-02/en



LWE/LR 11350-005/19004-04-02/en

Fig.105691: Example for turntable frame

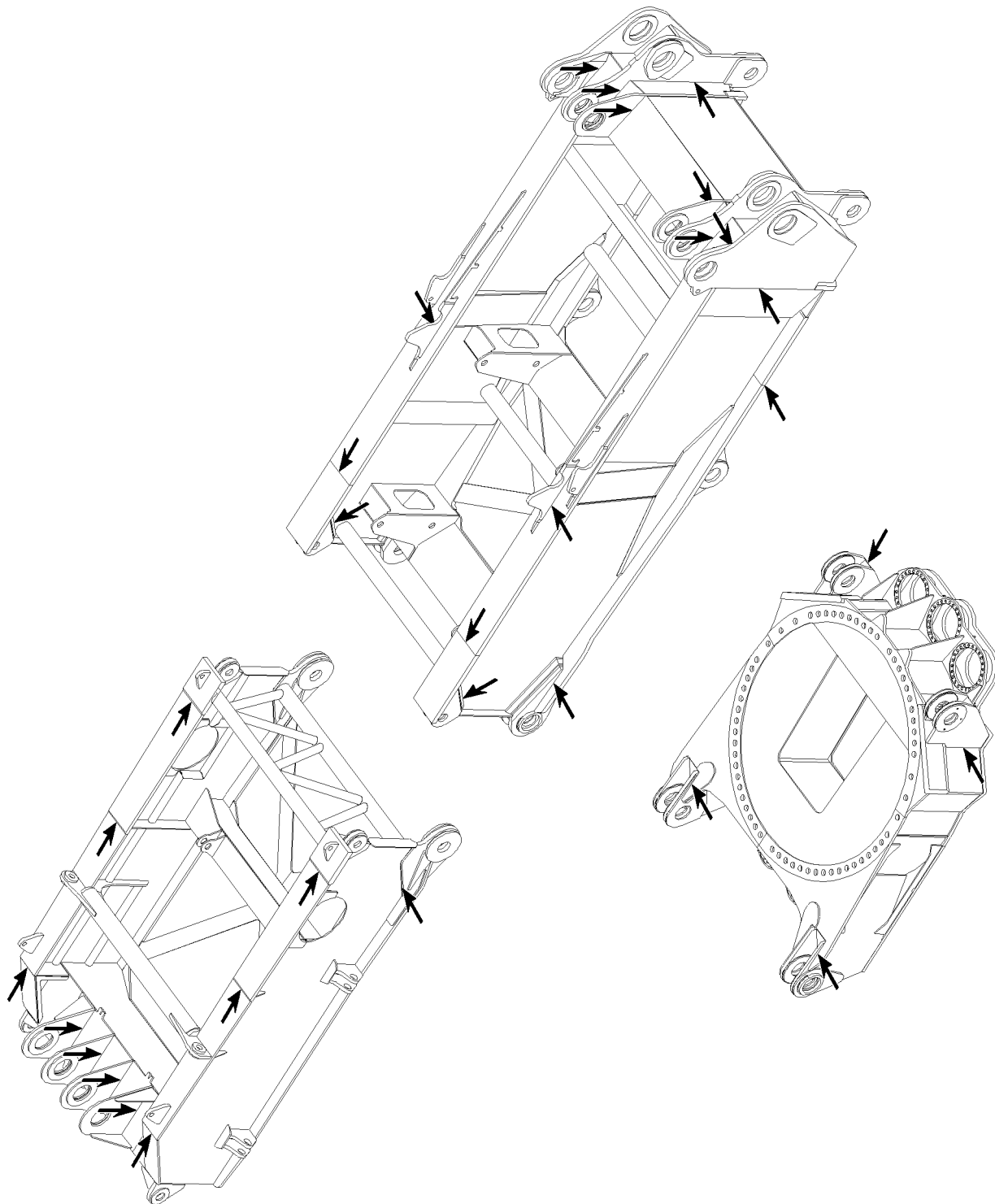
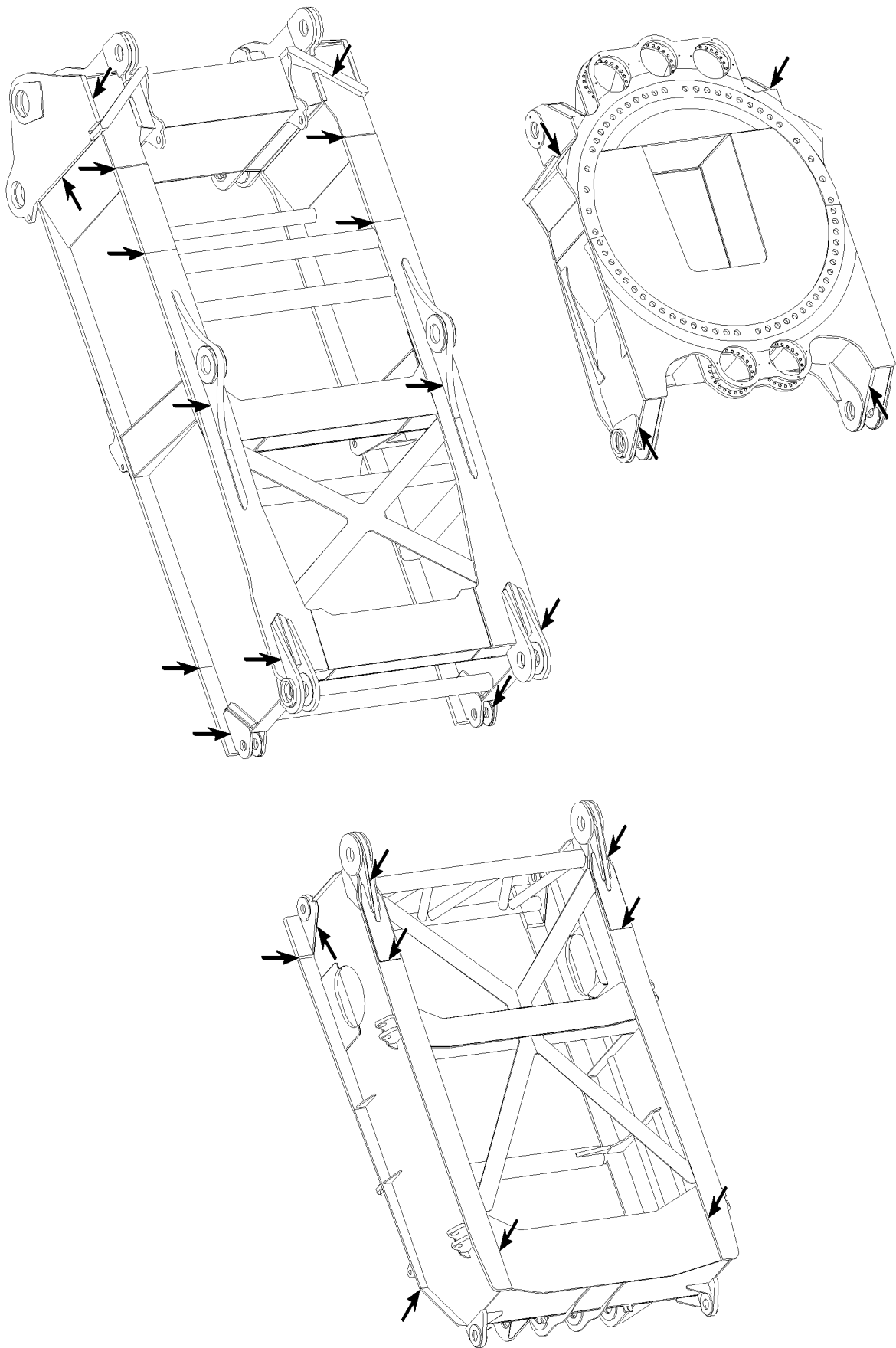


Fig.105692: Example for turntable frame



LWE/LR 11350-005/19004-04-02/en

Fig.105693: Example for turntable frame

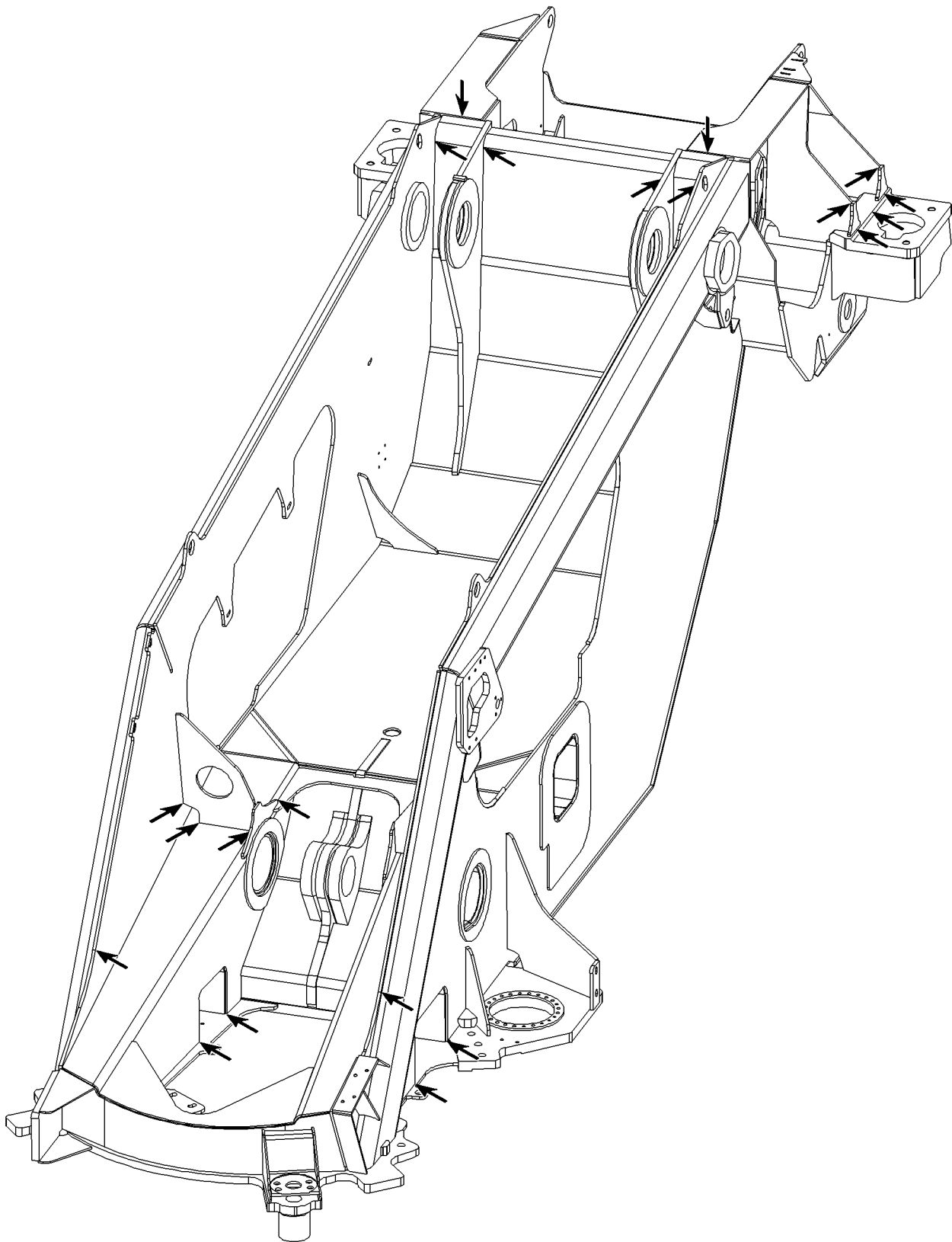
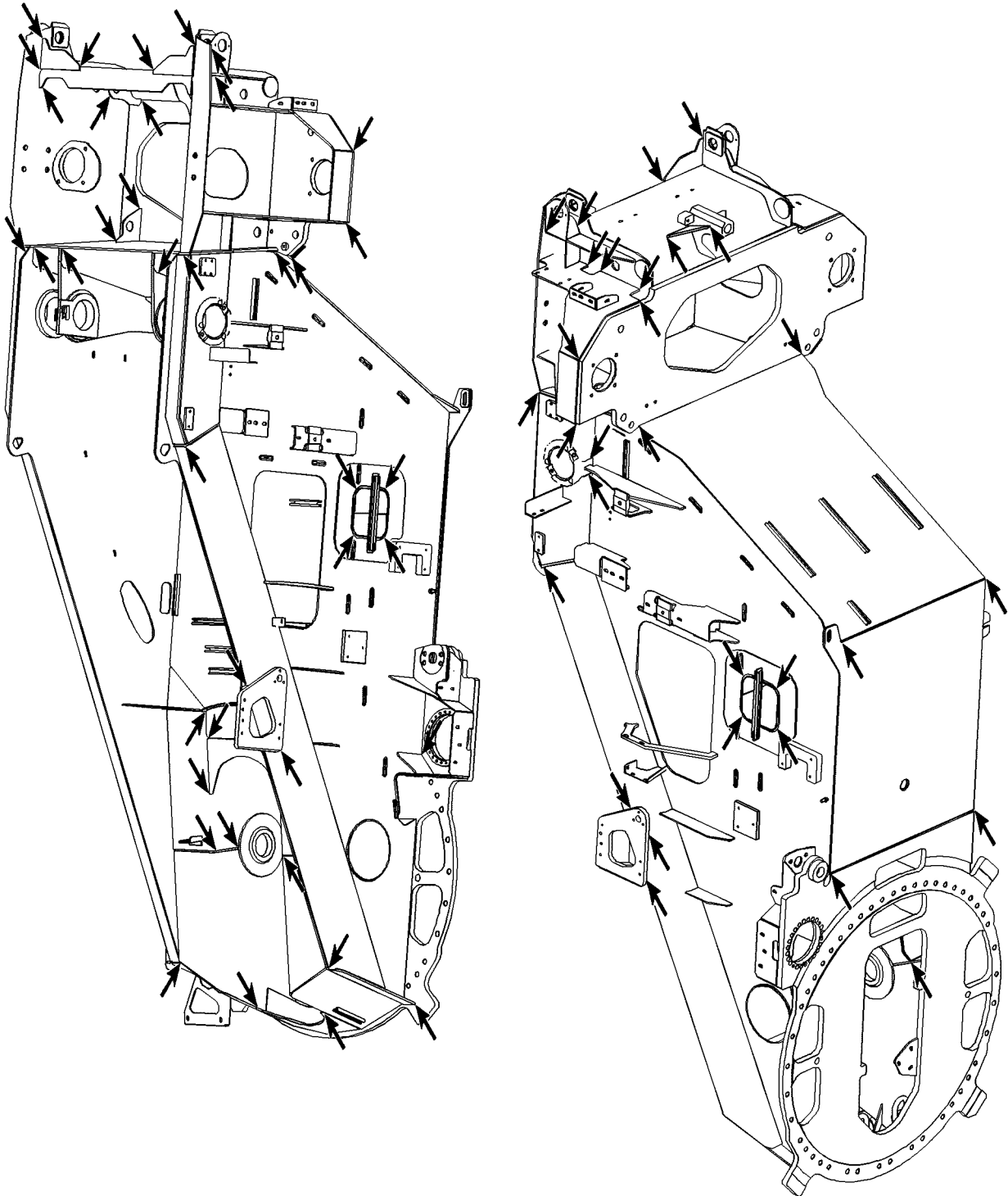


Fig.105722: Example for turntable frame



LWE/LR 11350-005/190004-04-02/en

Fig.105932: Example for turntable frame

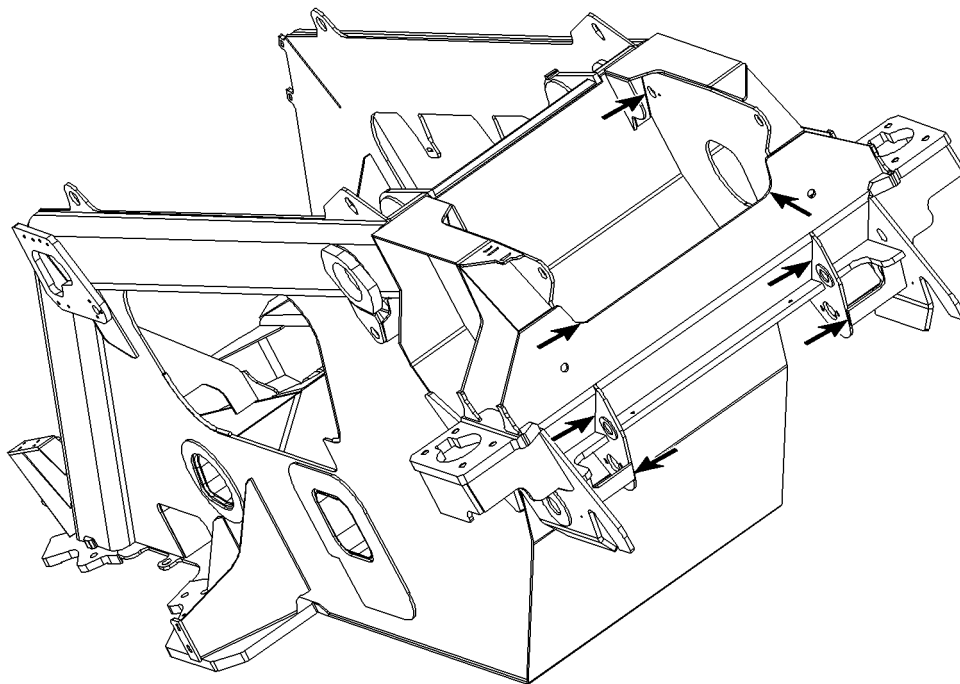
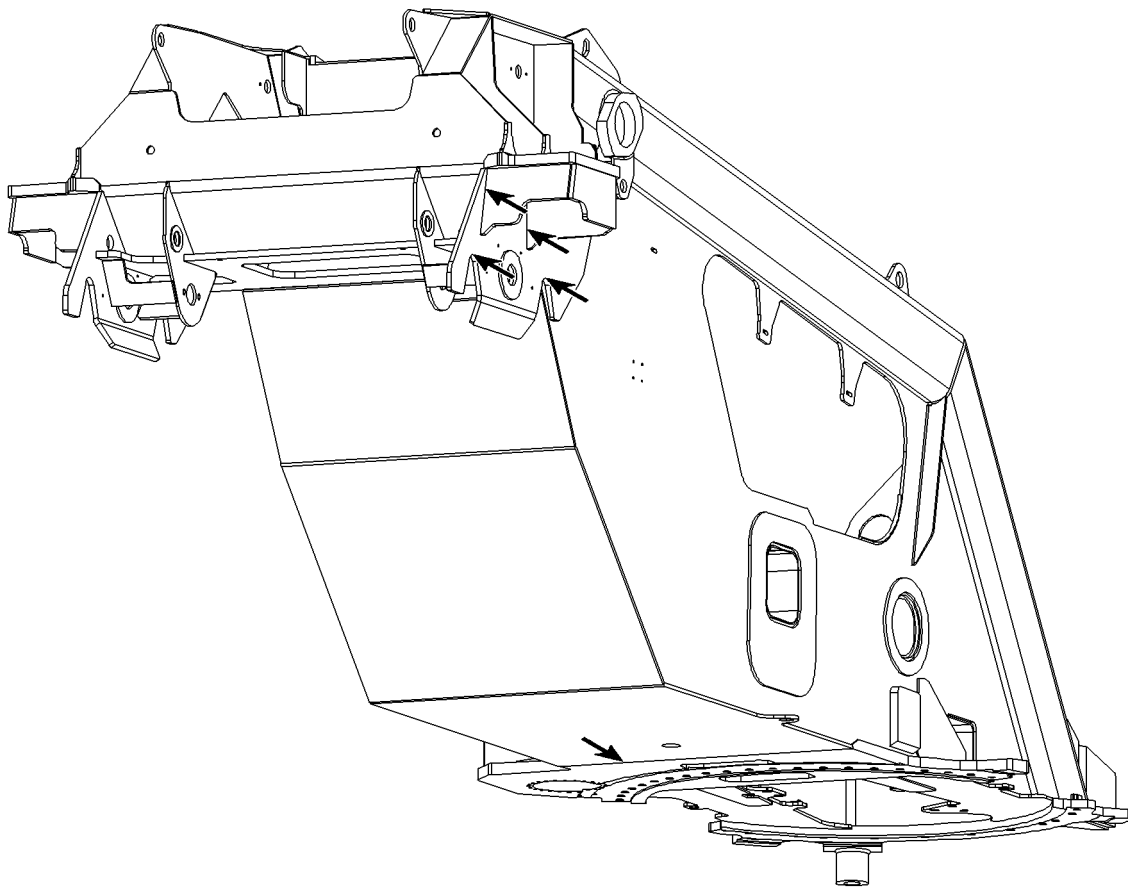
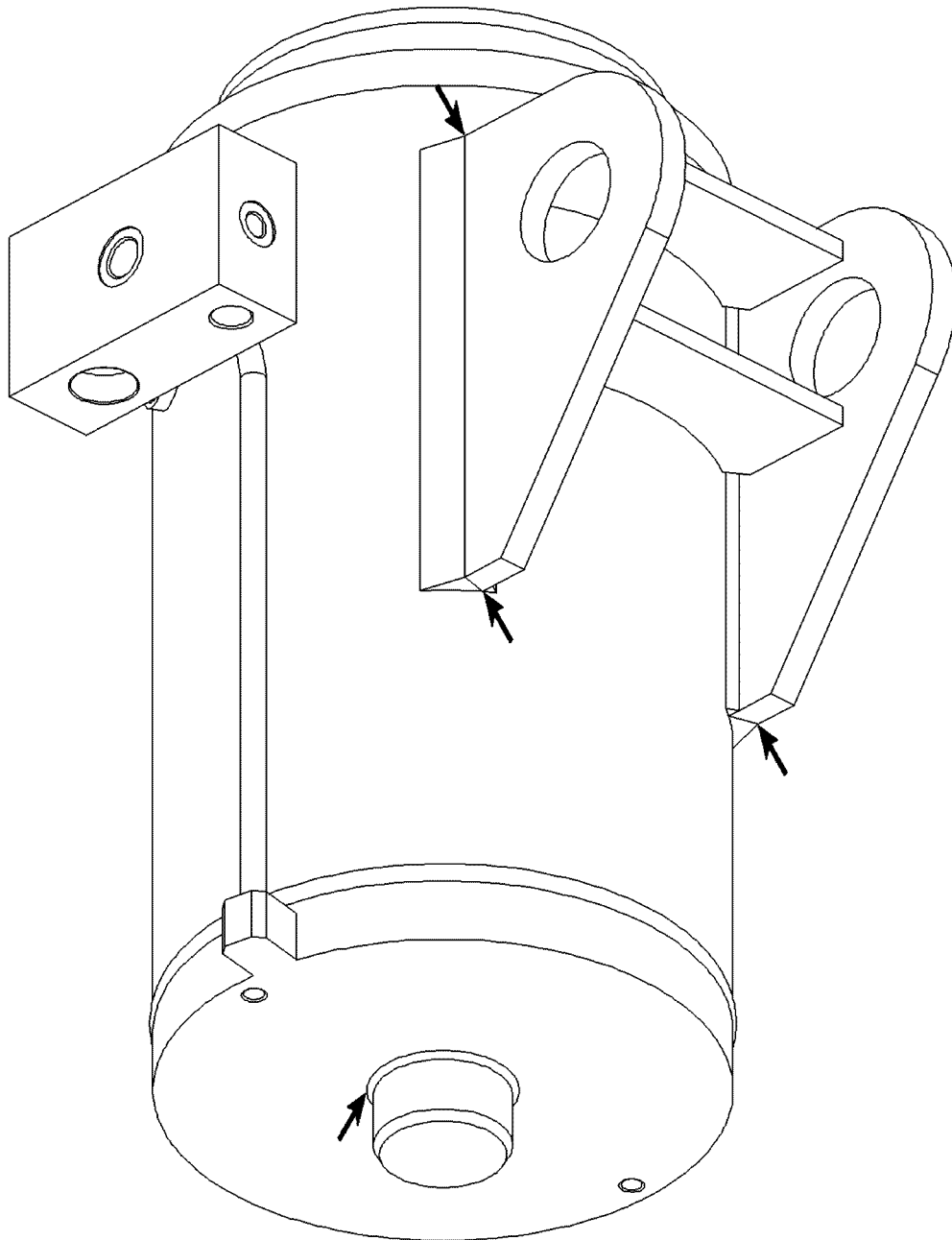


Fig.105723: Example for turntable frame

LWE/LR 11350-005/19004-04-02/en



LWE/LR 11350-005/19004-04-02/en

Fig.105801: Example for ballasting cylinder

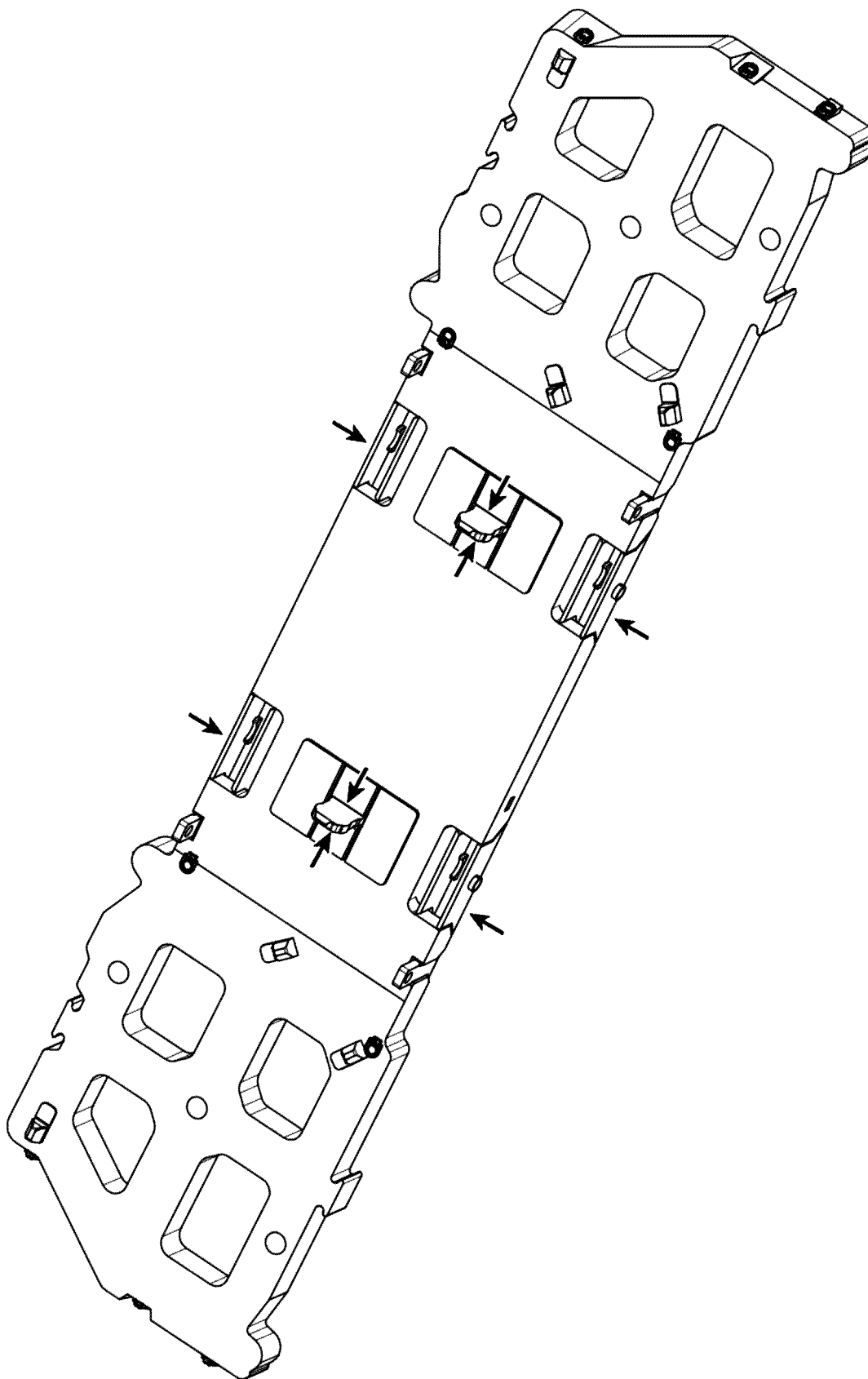
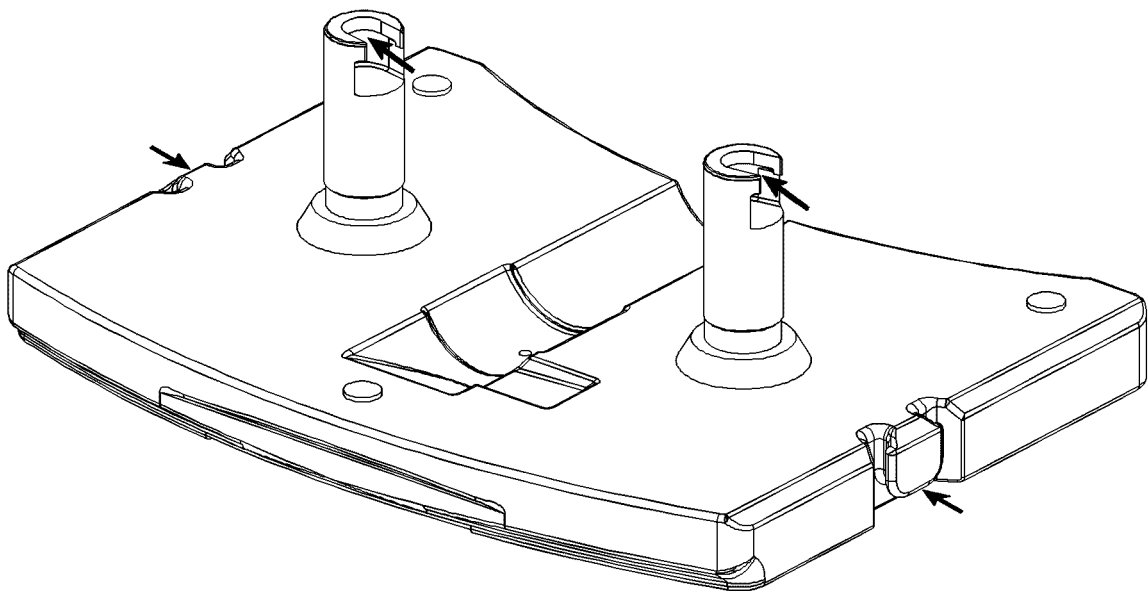
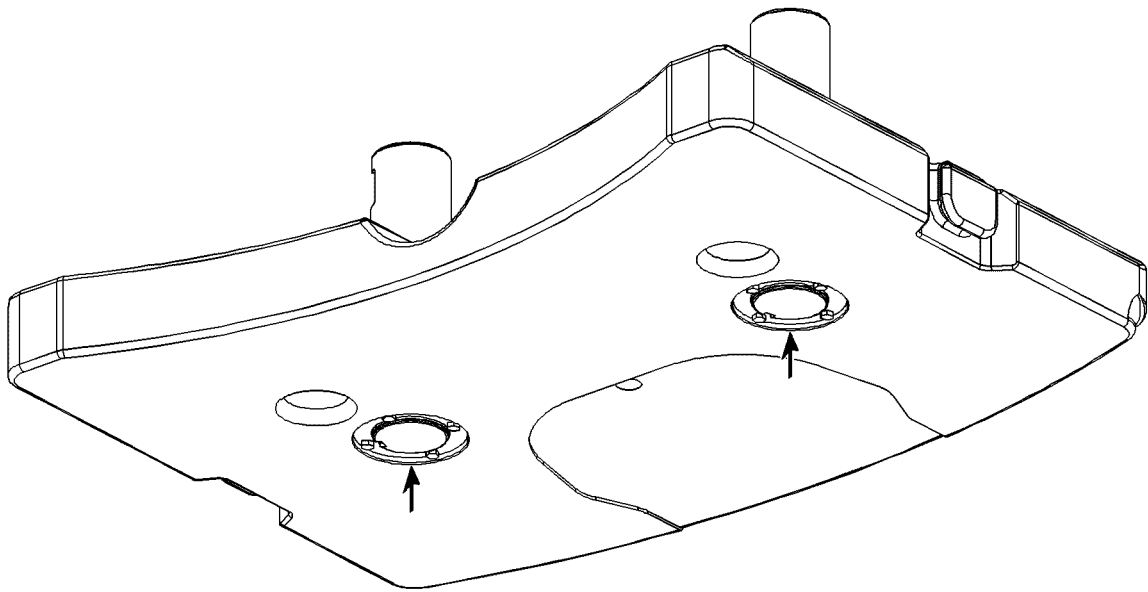


Fig.105705: Example for mounting plate

LWE/LR 11350-005/19004-04-02/en



LWE/LR 11350-005/19004-04-02/en

Fig.105807: Example for base plate

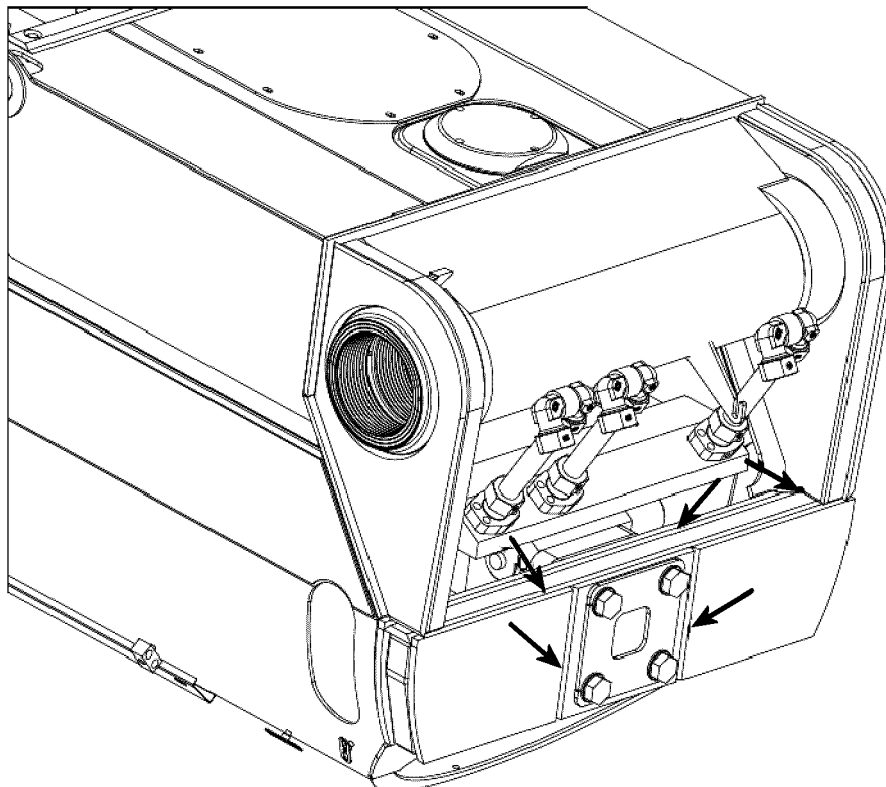
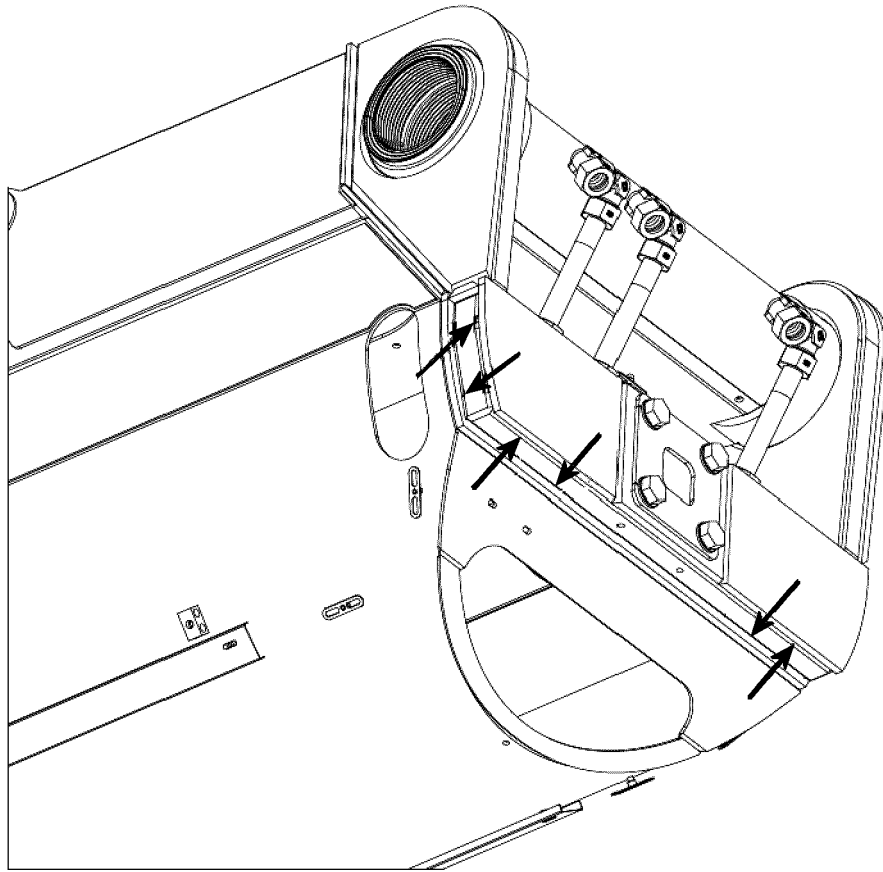
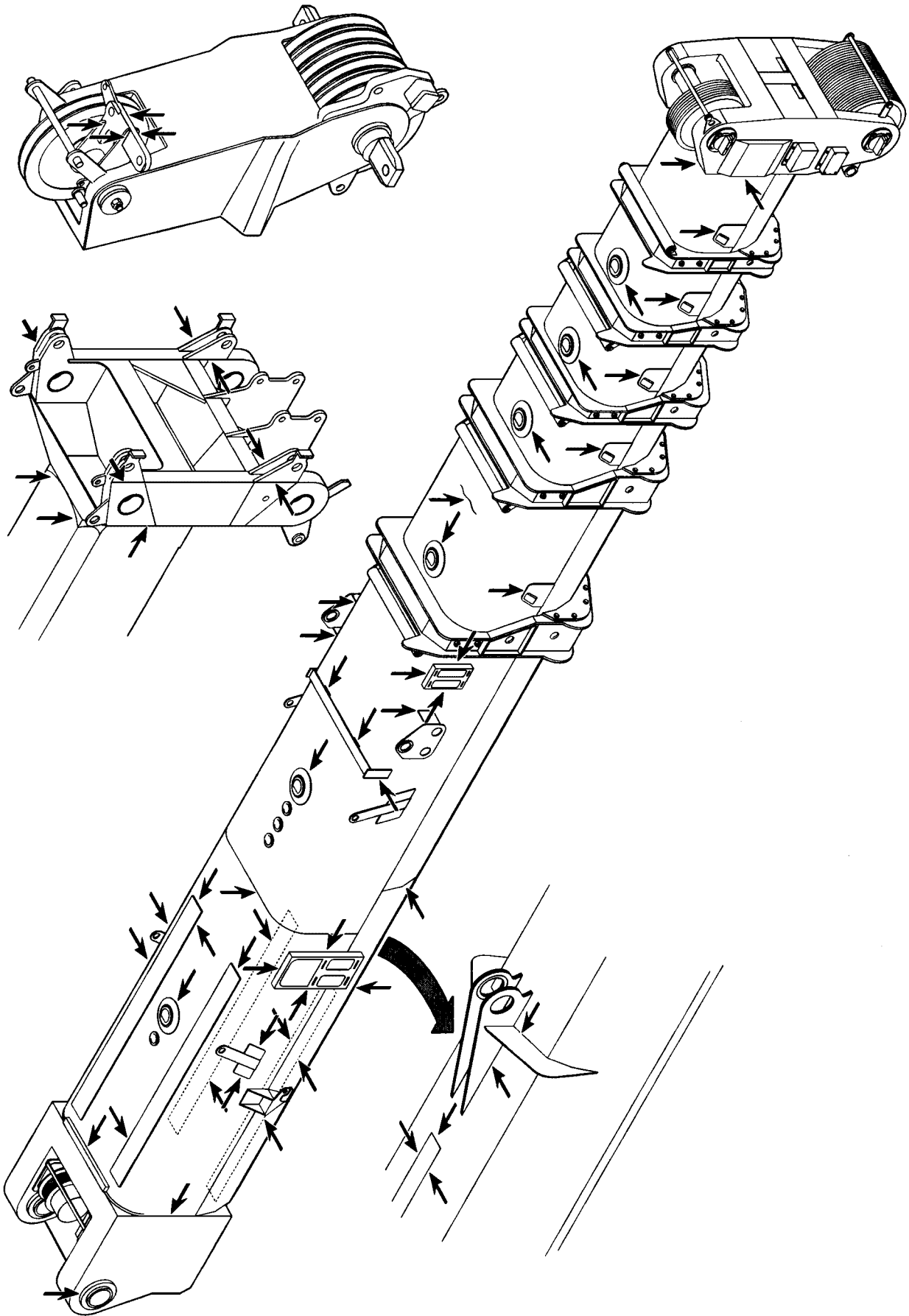


Fig.120273: Example for pivot section

LWE/LR 11350-005/19004-04-02/en



LWE/LR 11350-005/190004-04-02/en

Fig.185050: Example for telescopic boom

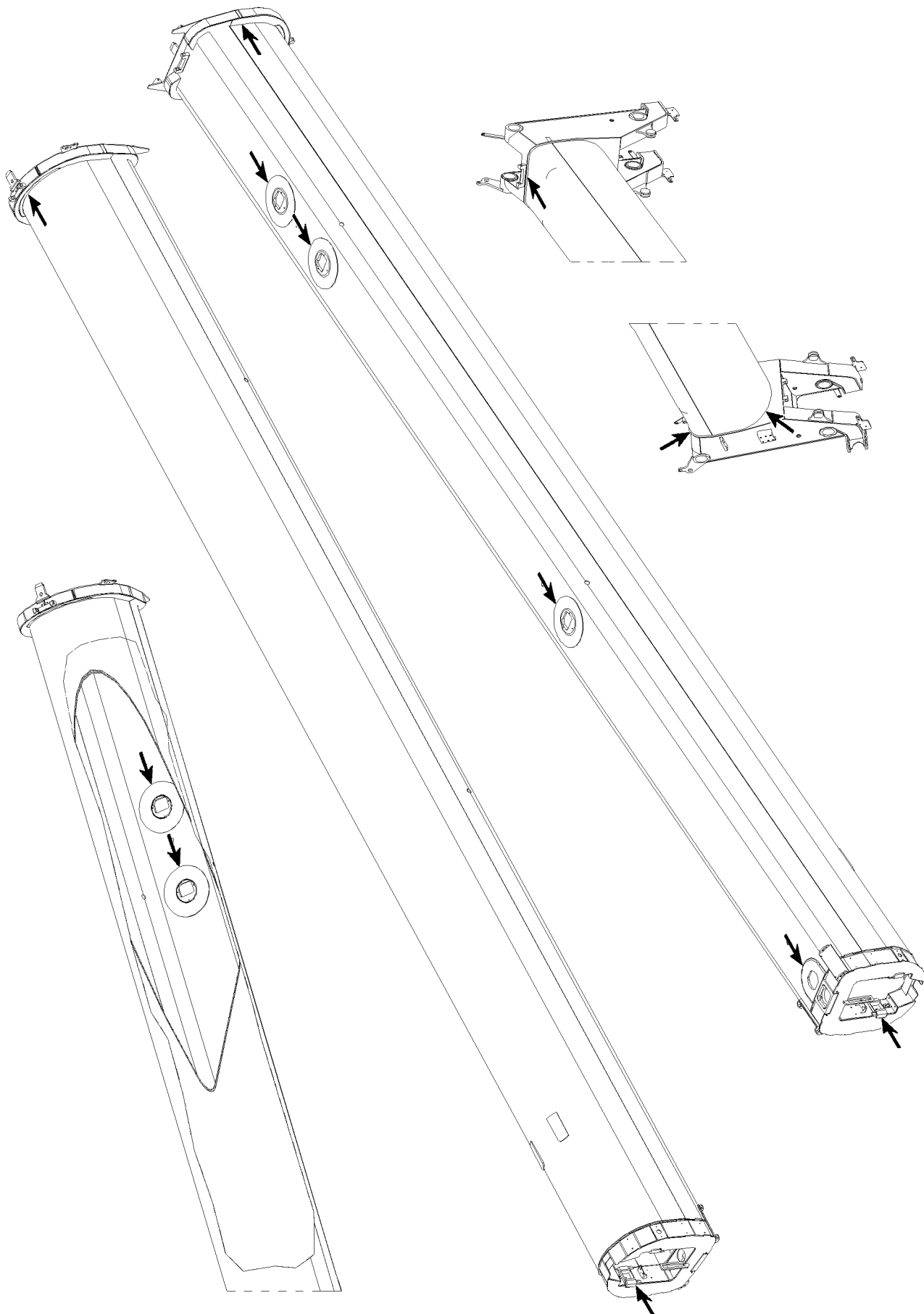
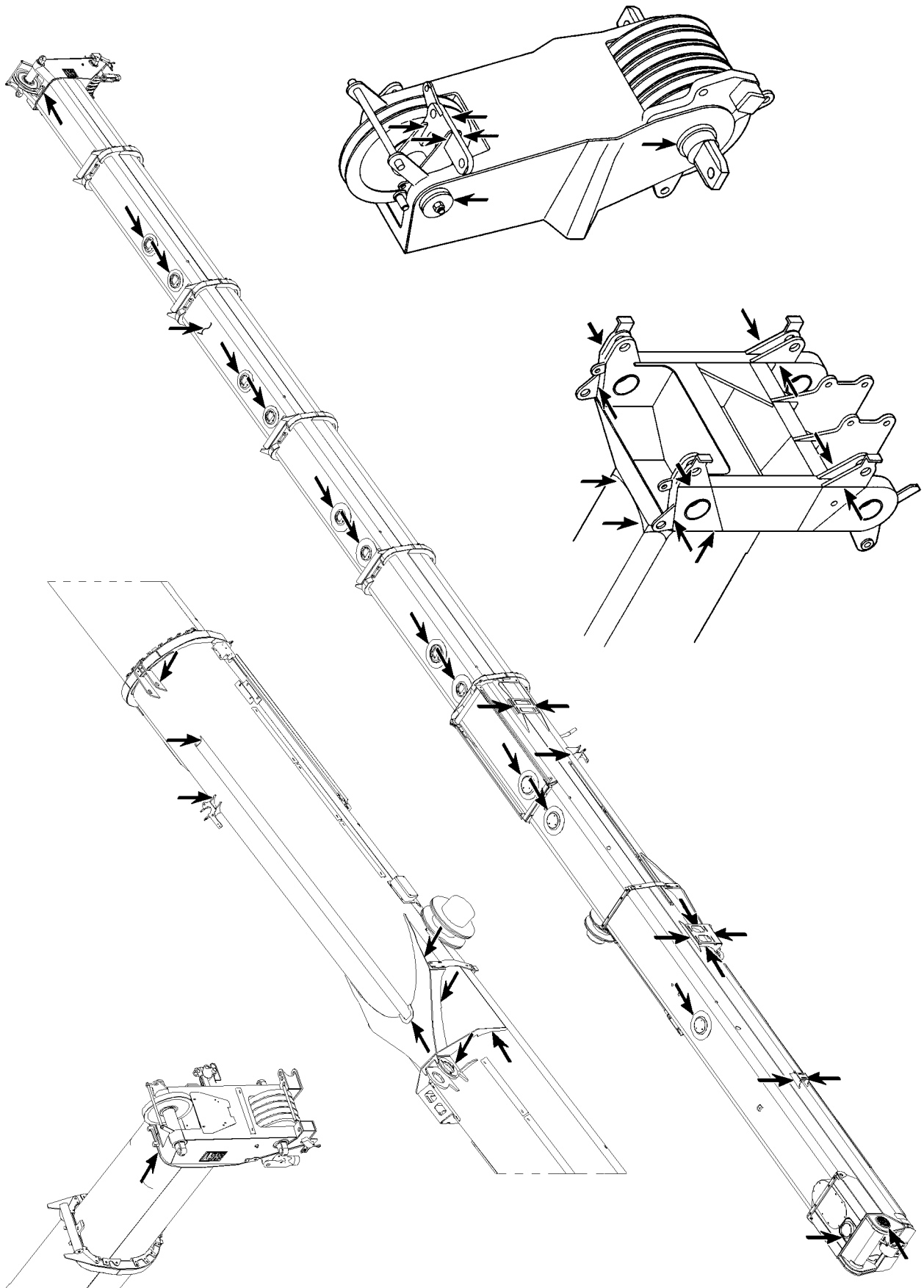


Fig.105710: Example for telescopic boom



LWE/LR 11350-005/19004-04-02/en

Fig.105711: Example for telescopic boom

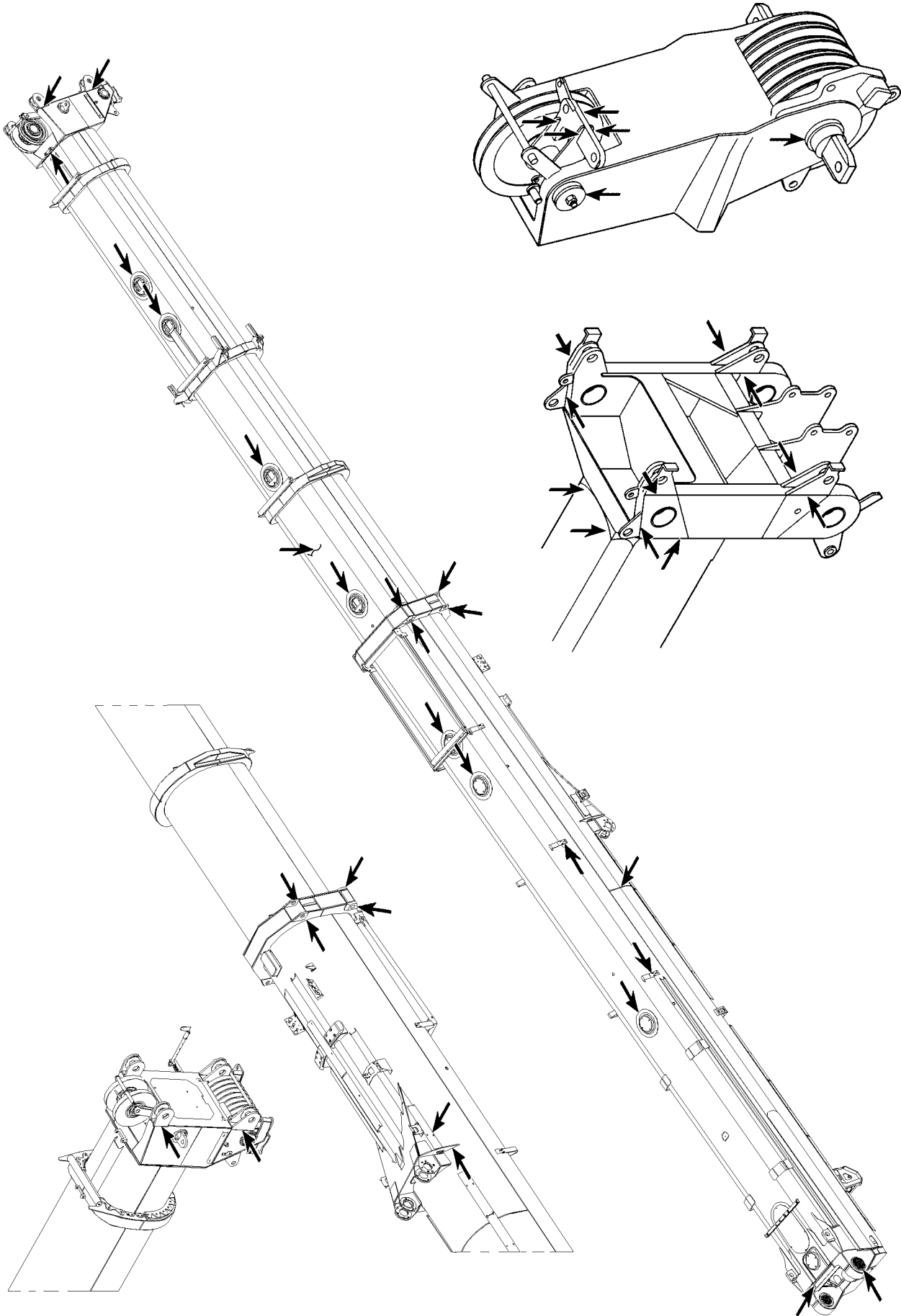
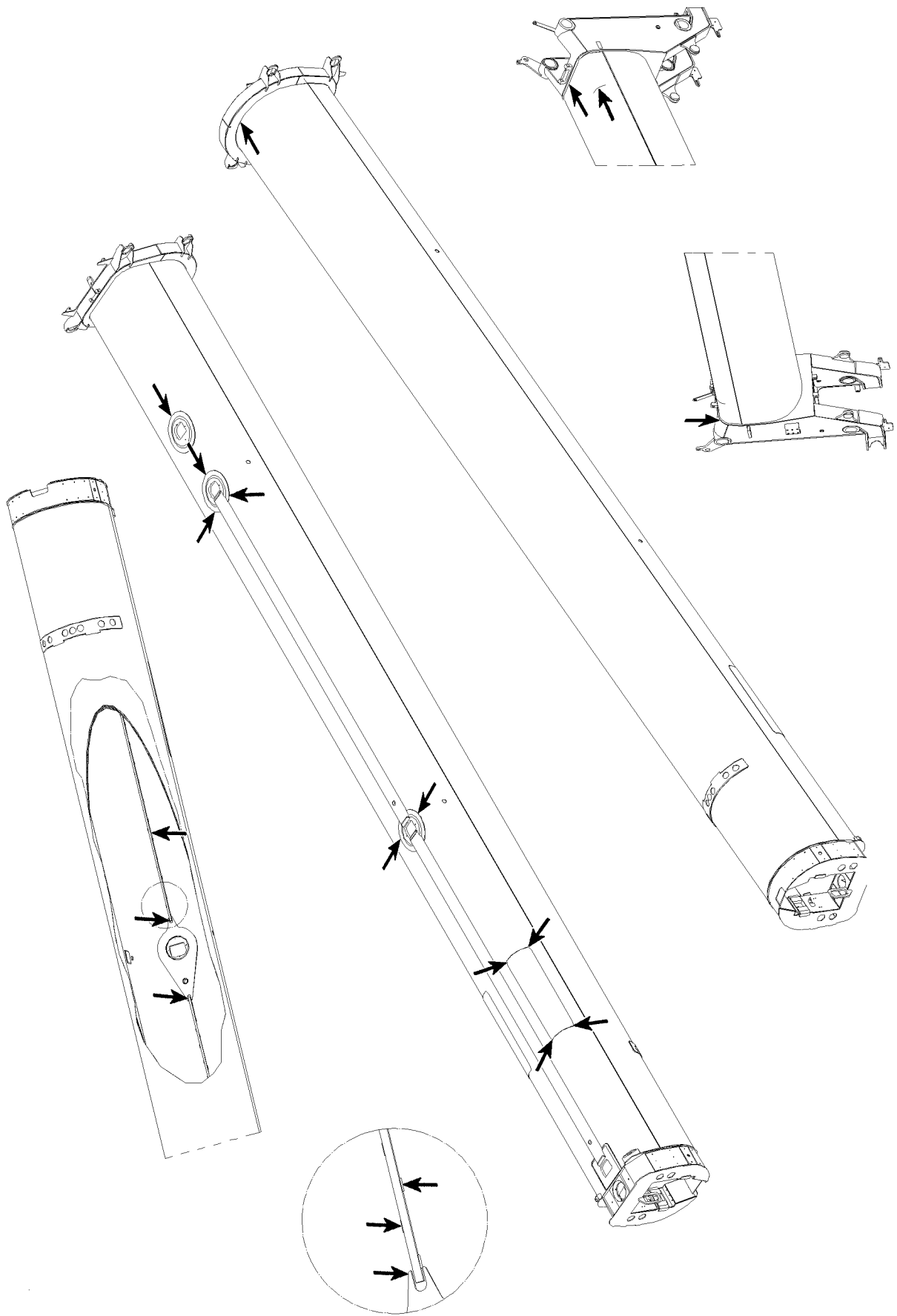


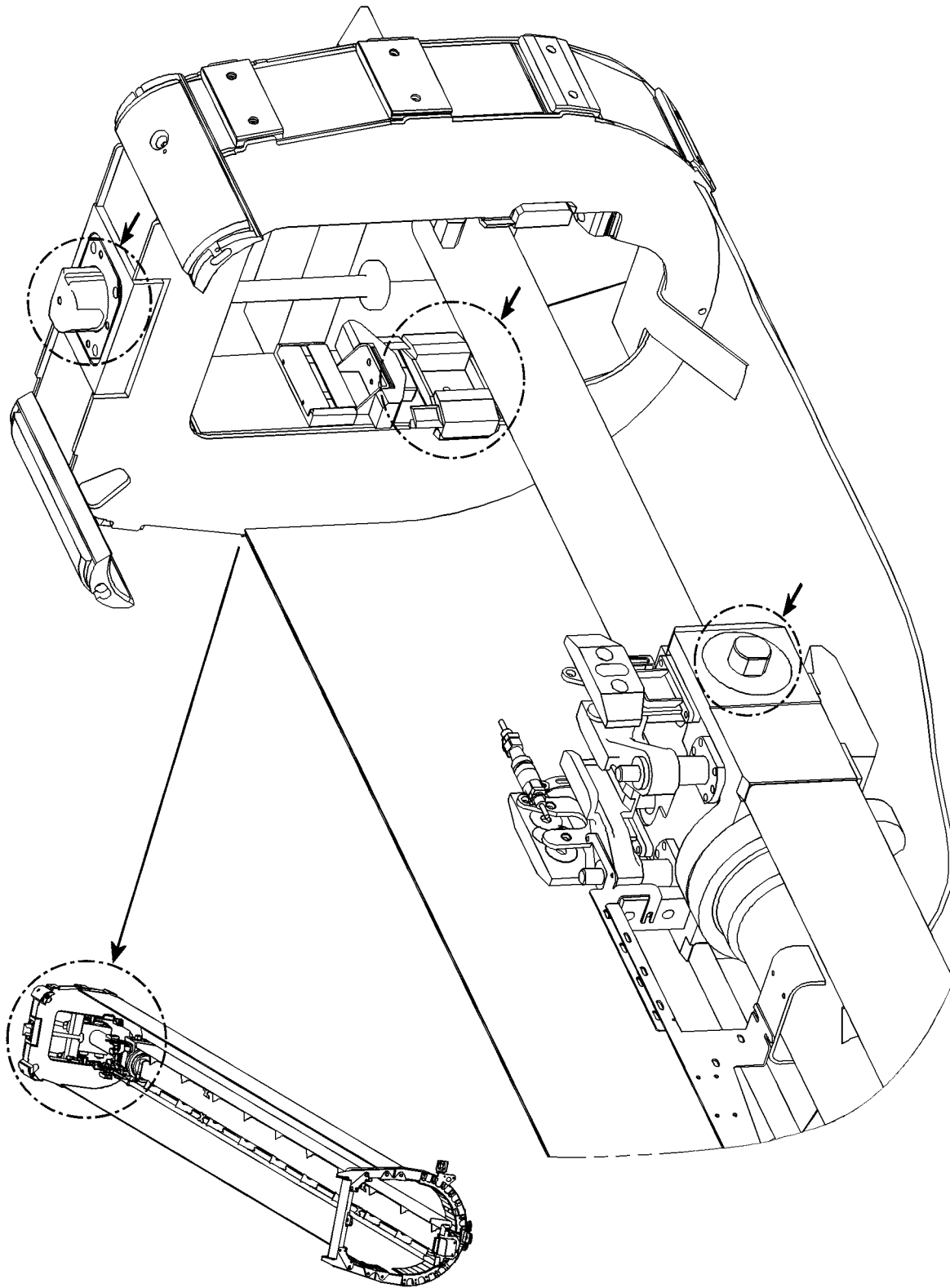
Fig.105720: Example for telescopic boom

LWE/LR 11350-005/19004-04-02/en



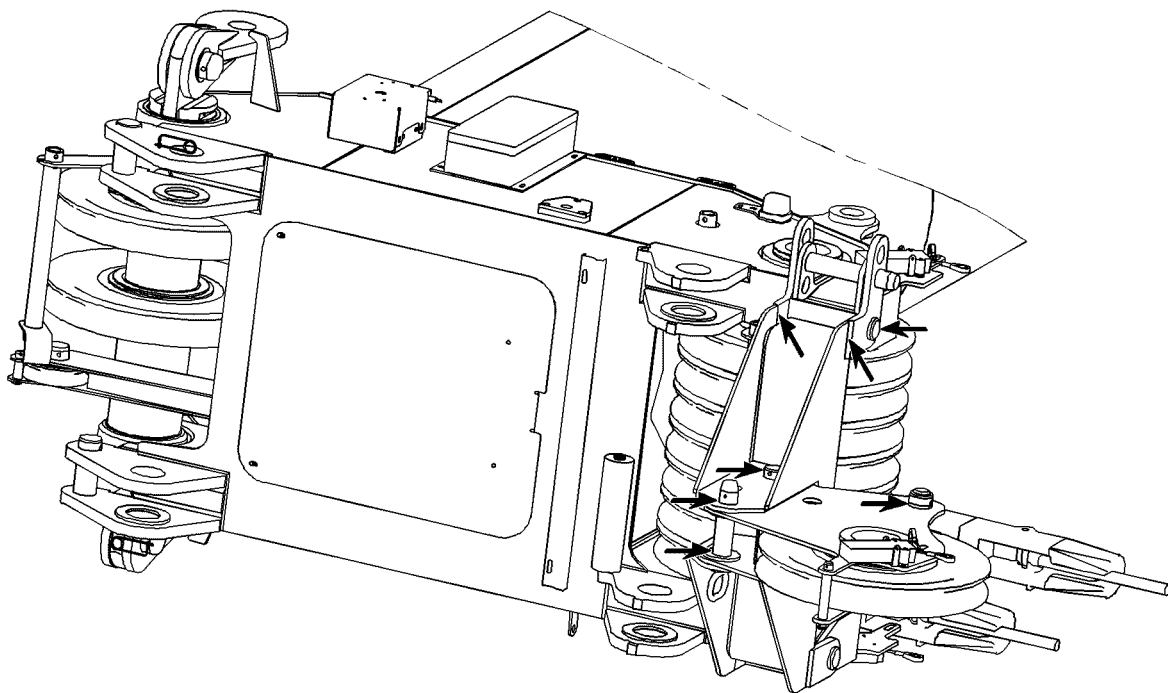
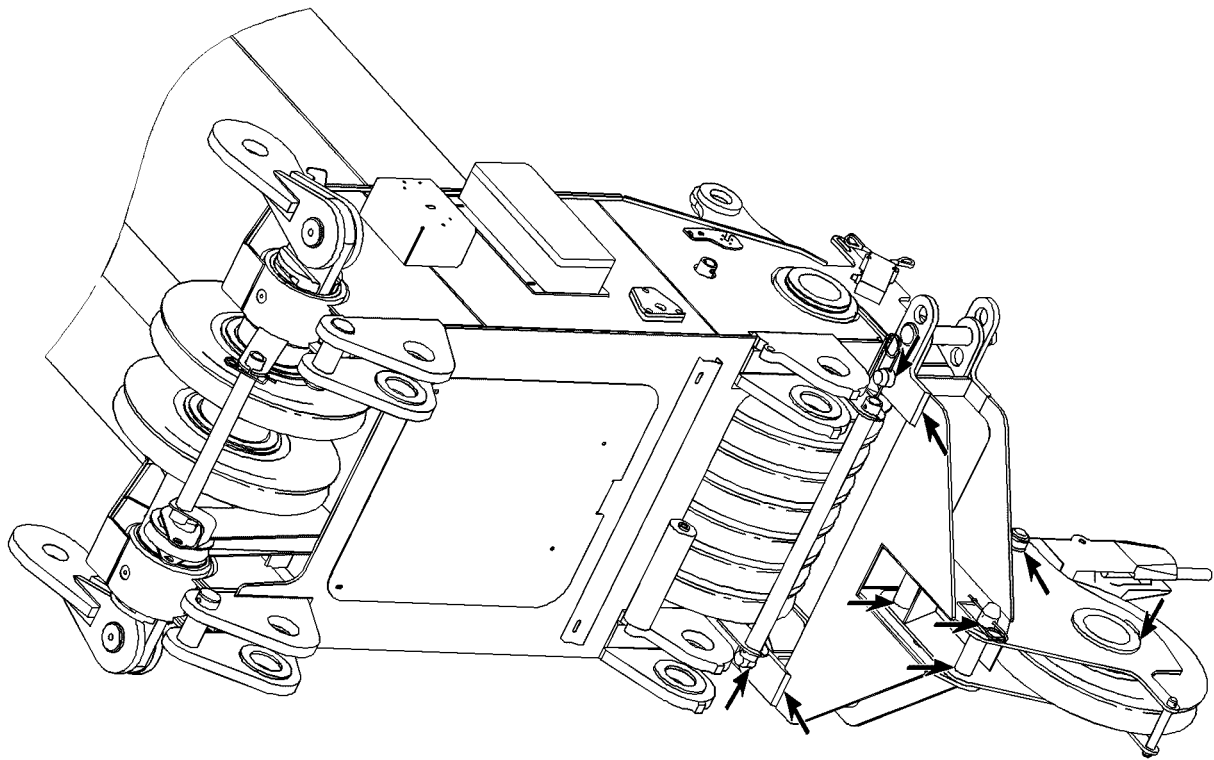
LWE/LR 11350-005/19004-04-02/en

Fig.105721: Example for telescopic boom



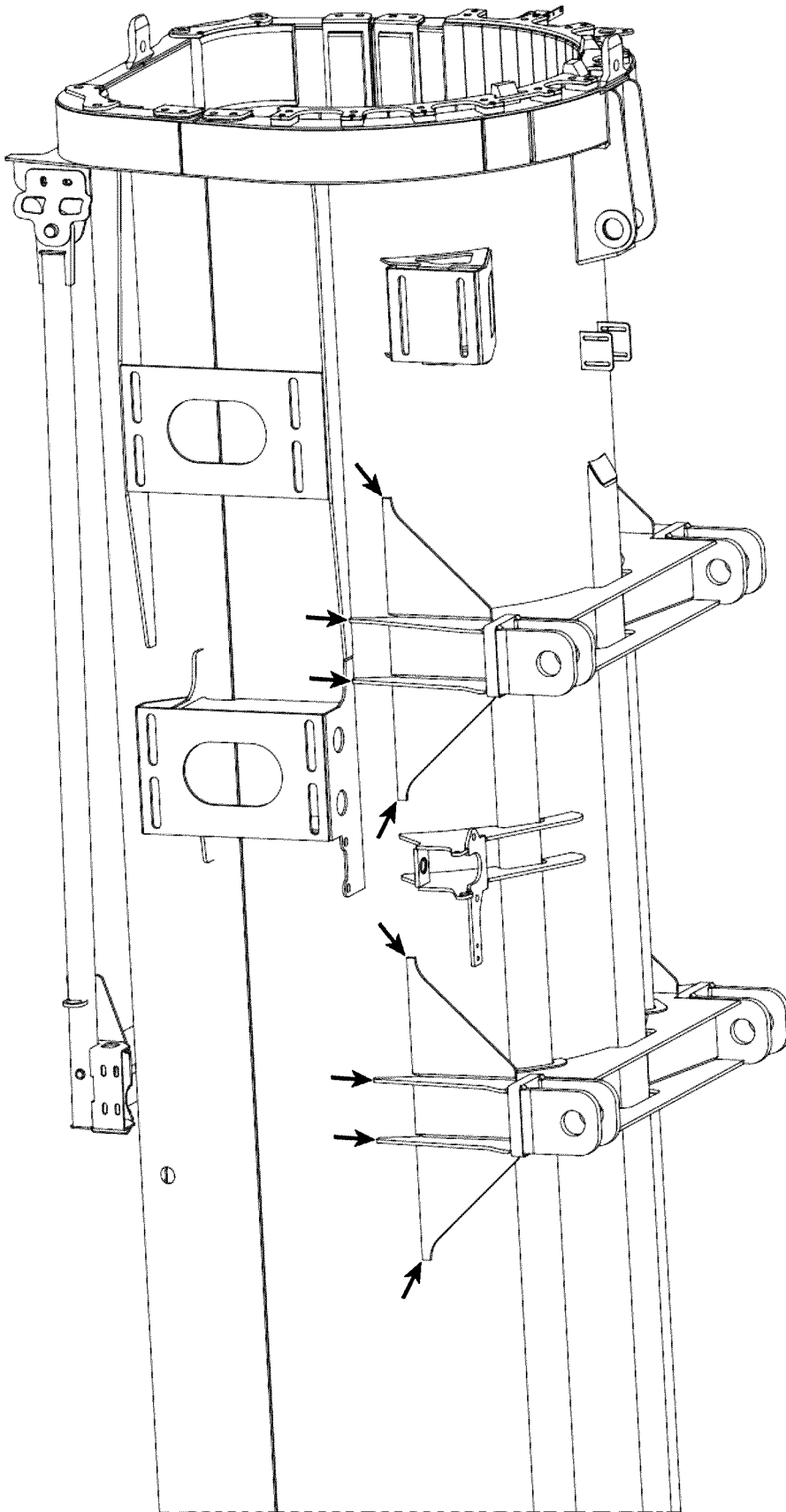
LWE/LR 11350-005/19004-04-02/en

Fig.105891: Example for push out mechanics telescopic boom



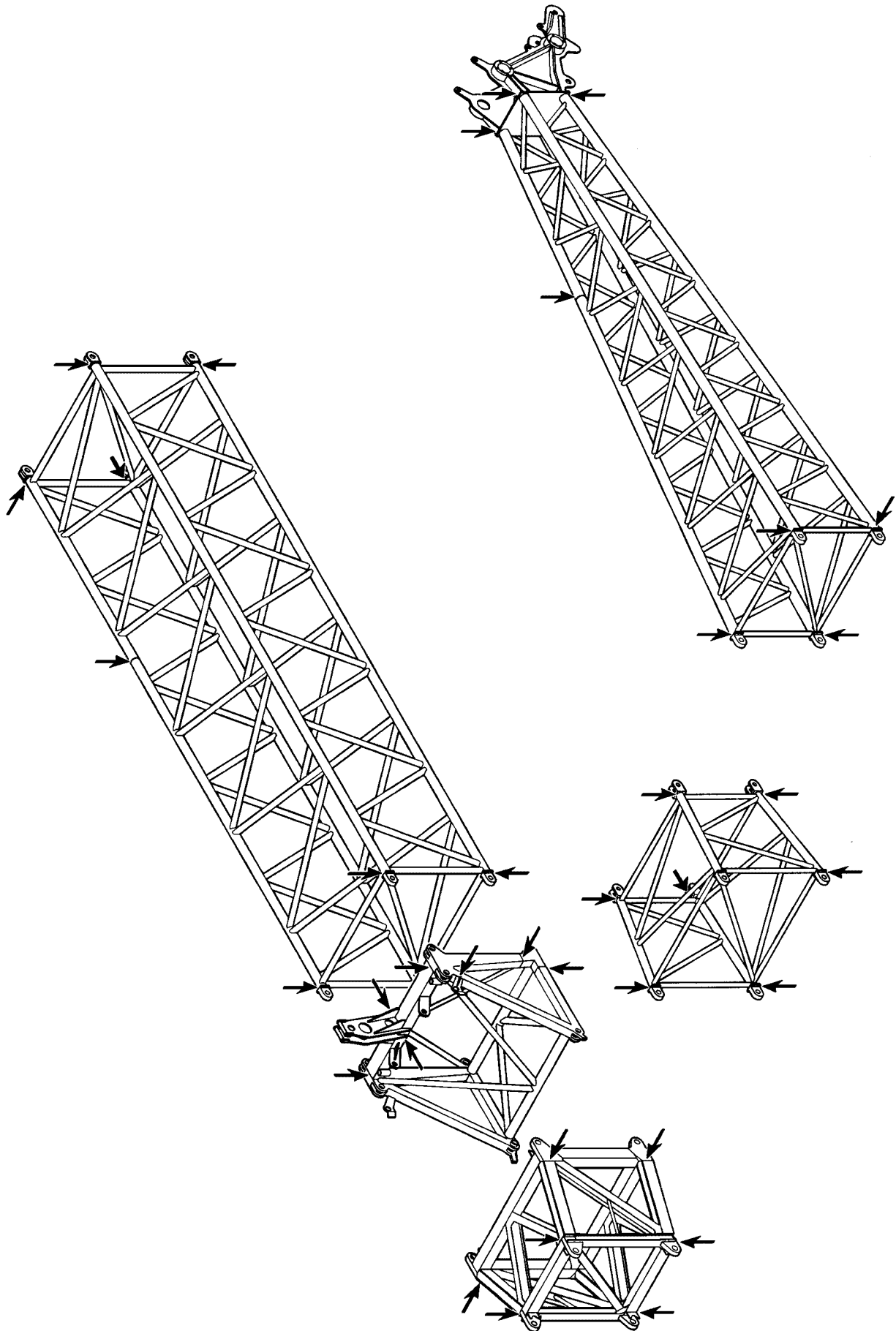
LWE/LR 11350-005/190004-04-02/en

Fig.105892: Example for boom nose



LWE/LR 11350-005/19004-04-02/en

Fig.105689: Example for dolly console



LWE/LR 11350-005/190004-04-02/en

Fig.185051: Example for lattice jib

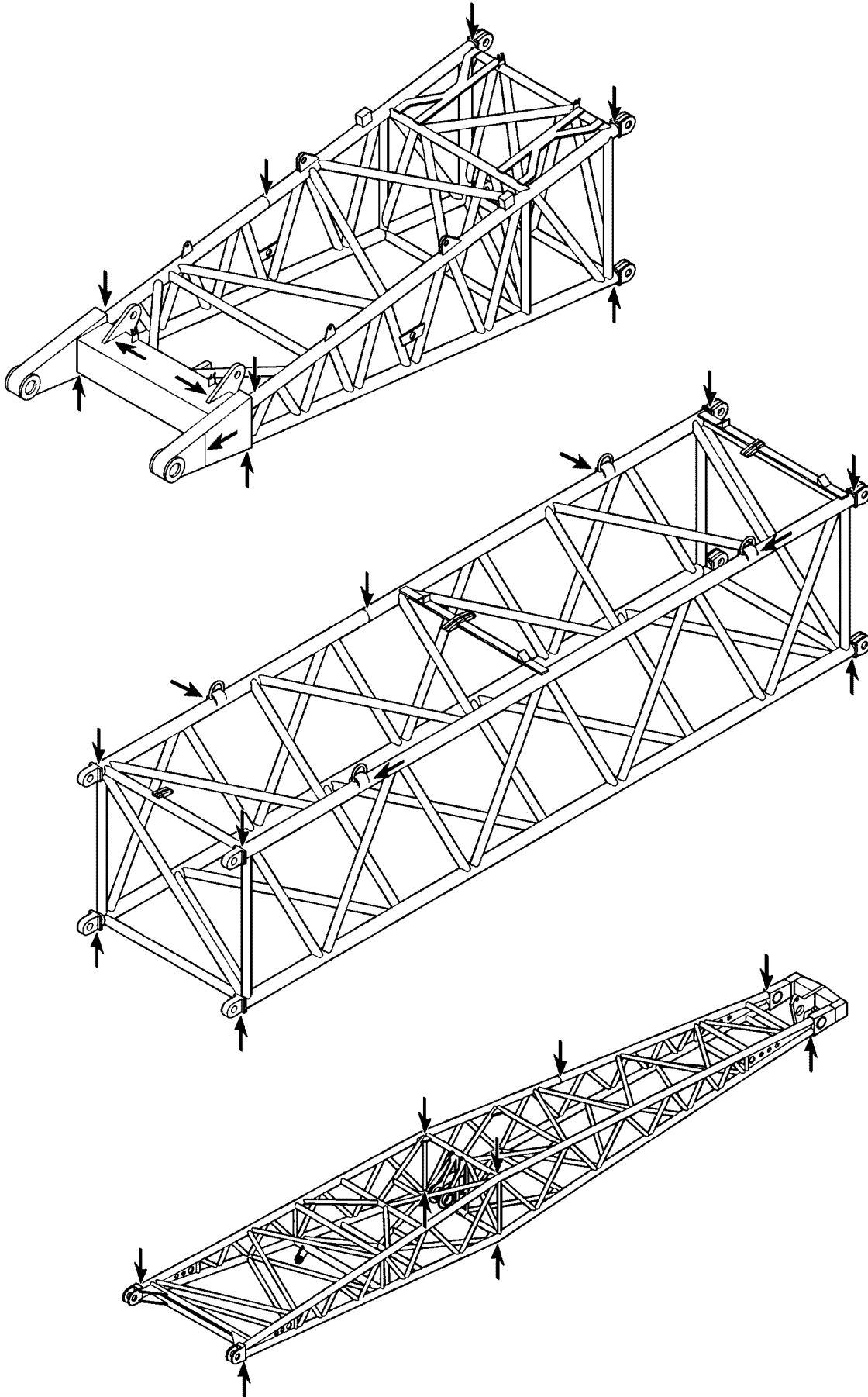
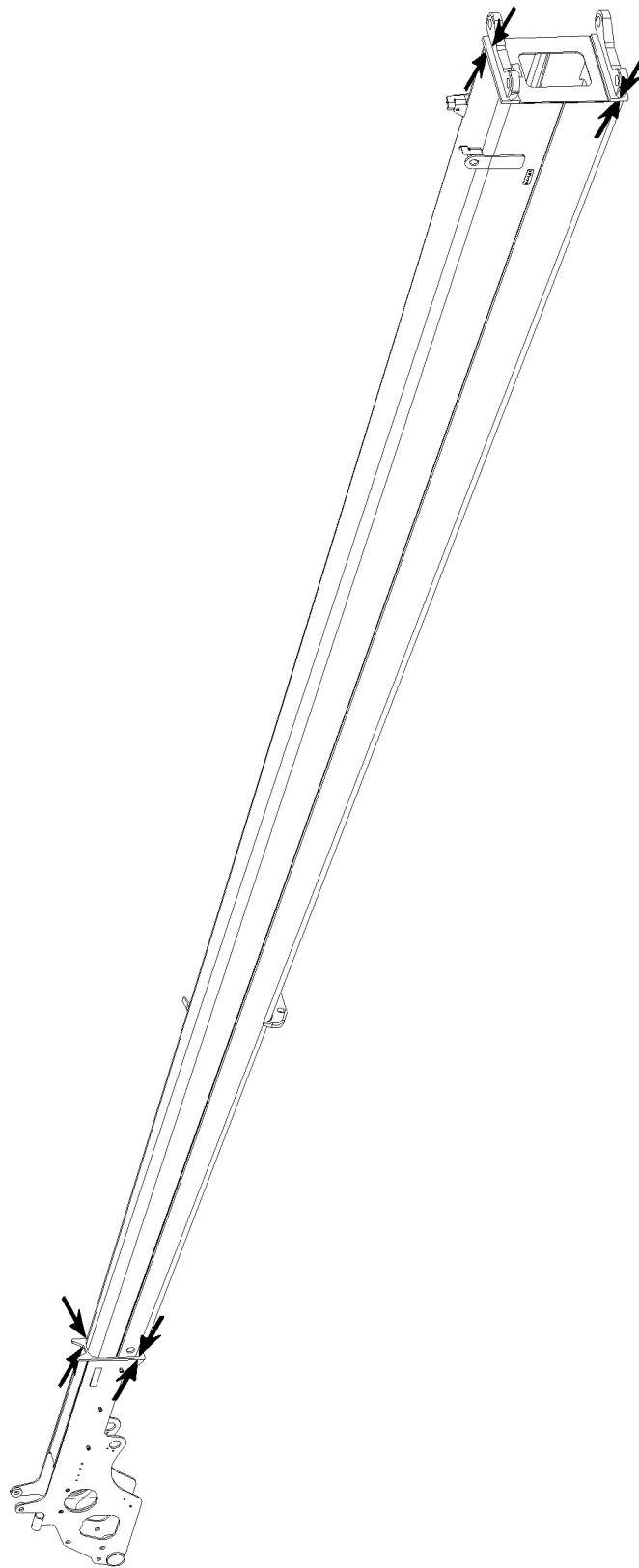


Fig.185052: Example for NA / WA-frame

LWE/LR 11350-005/19004-04-02/en



LWE/LR 11350-005/19004-04-02/en

Fig.105713: Example for end section

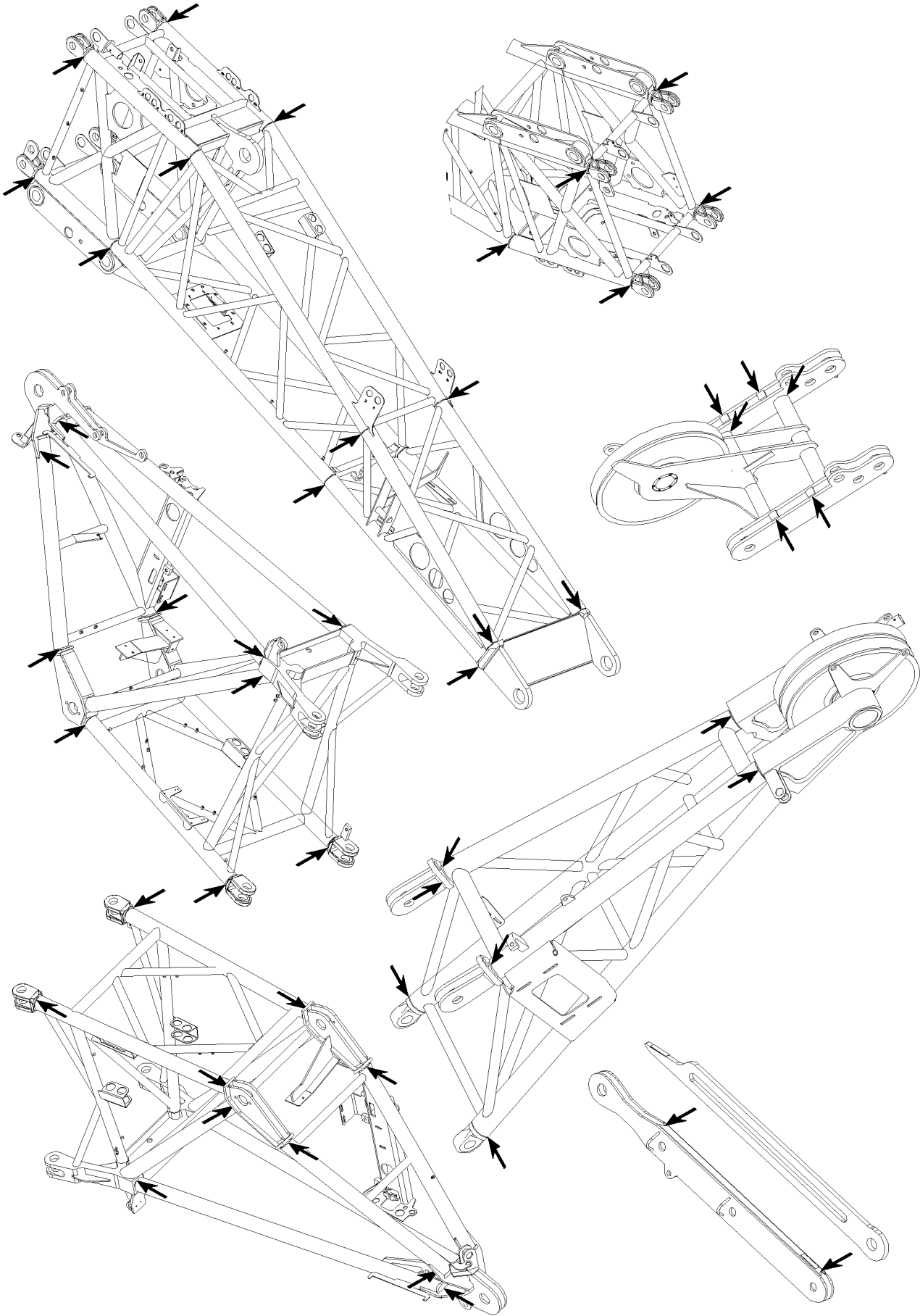
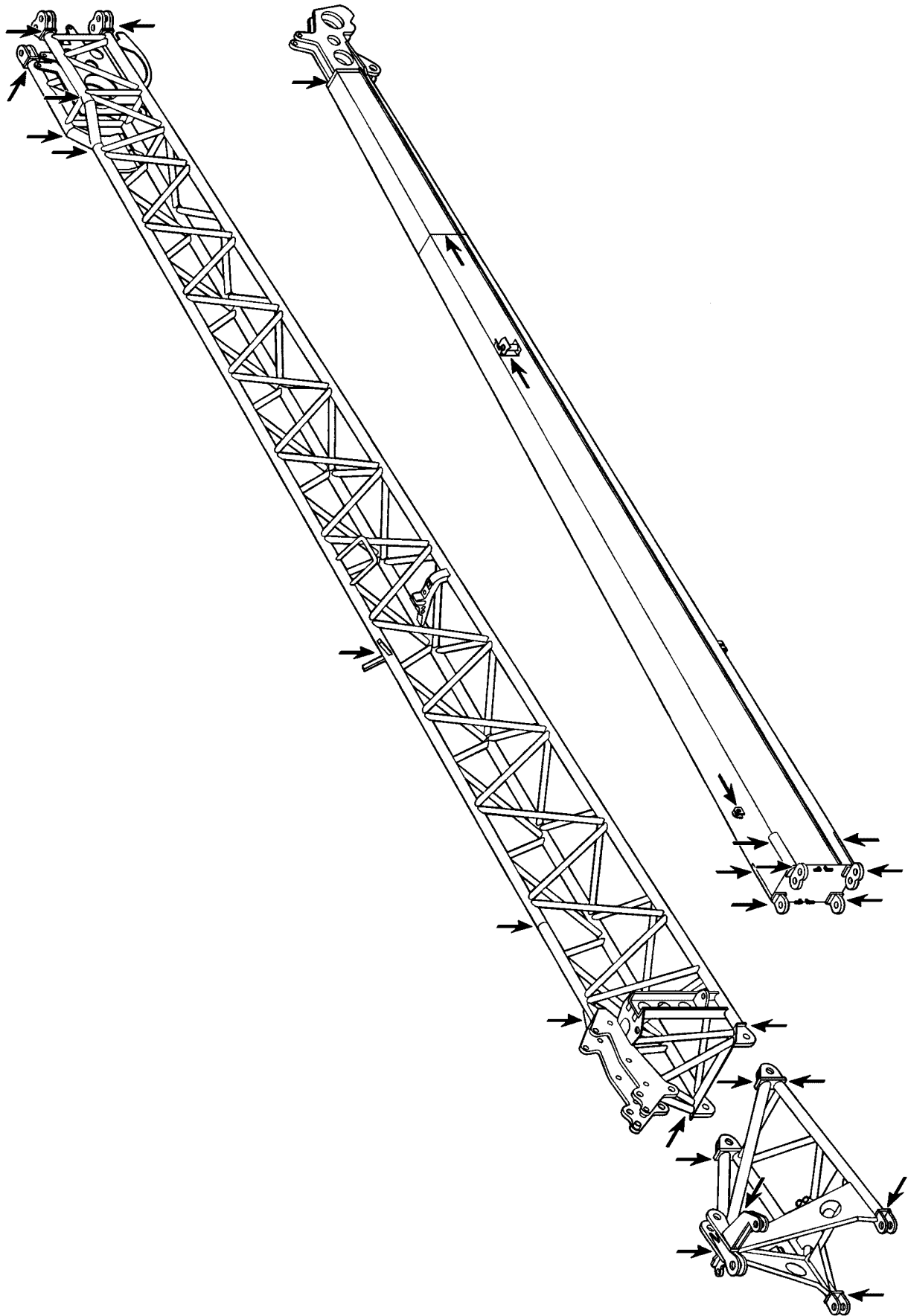


Fig.105836: Example for pivot section, adapter and boom nose

LWE/LR 11350-005/19004-04-02/en



LWE/LR 11350-005/190004-04-02/en

Fig.185058: Example for folding jib

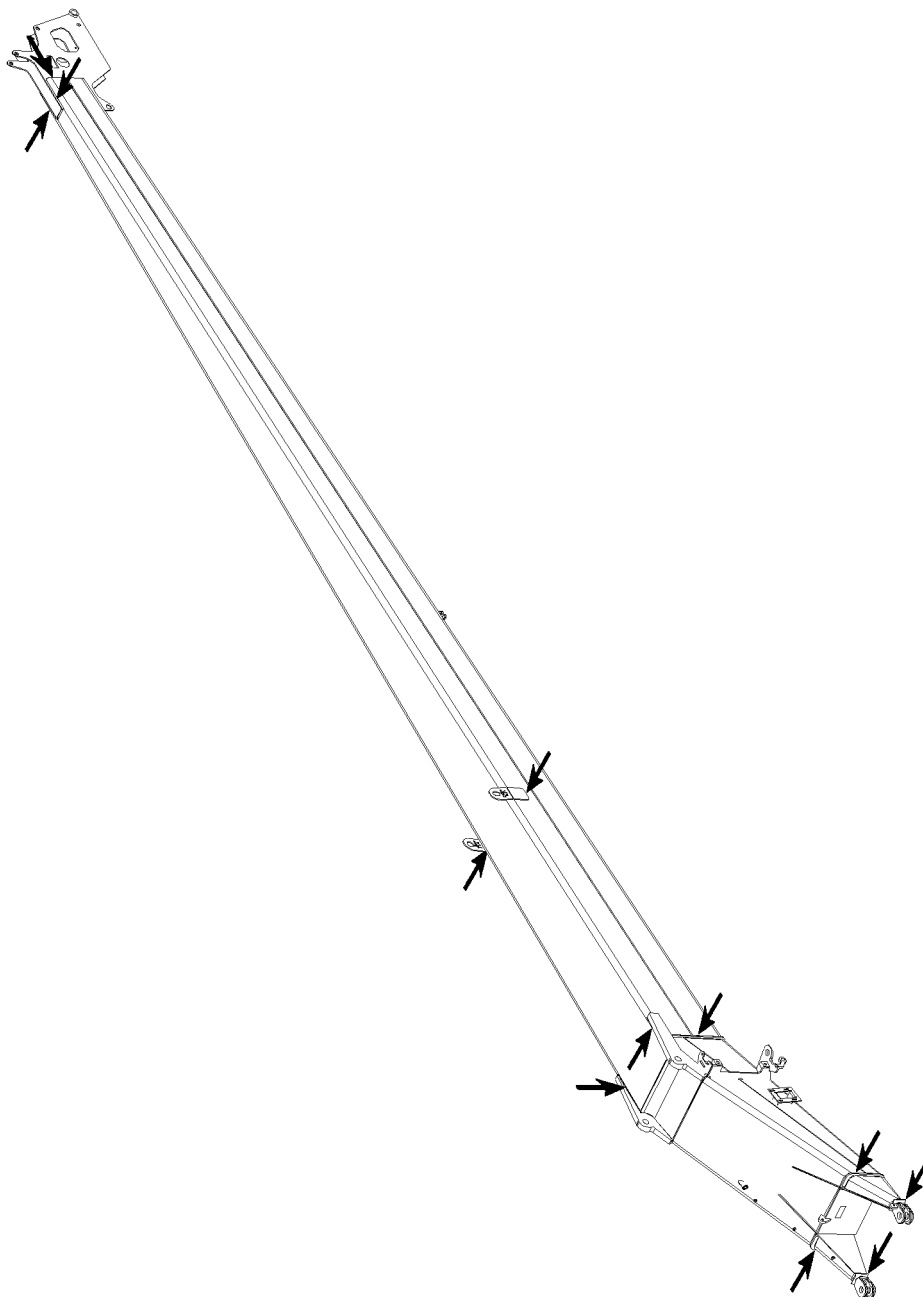
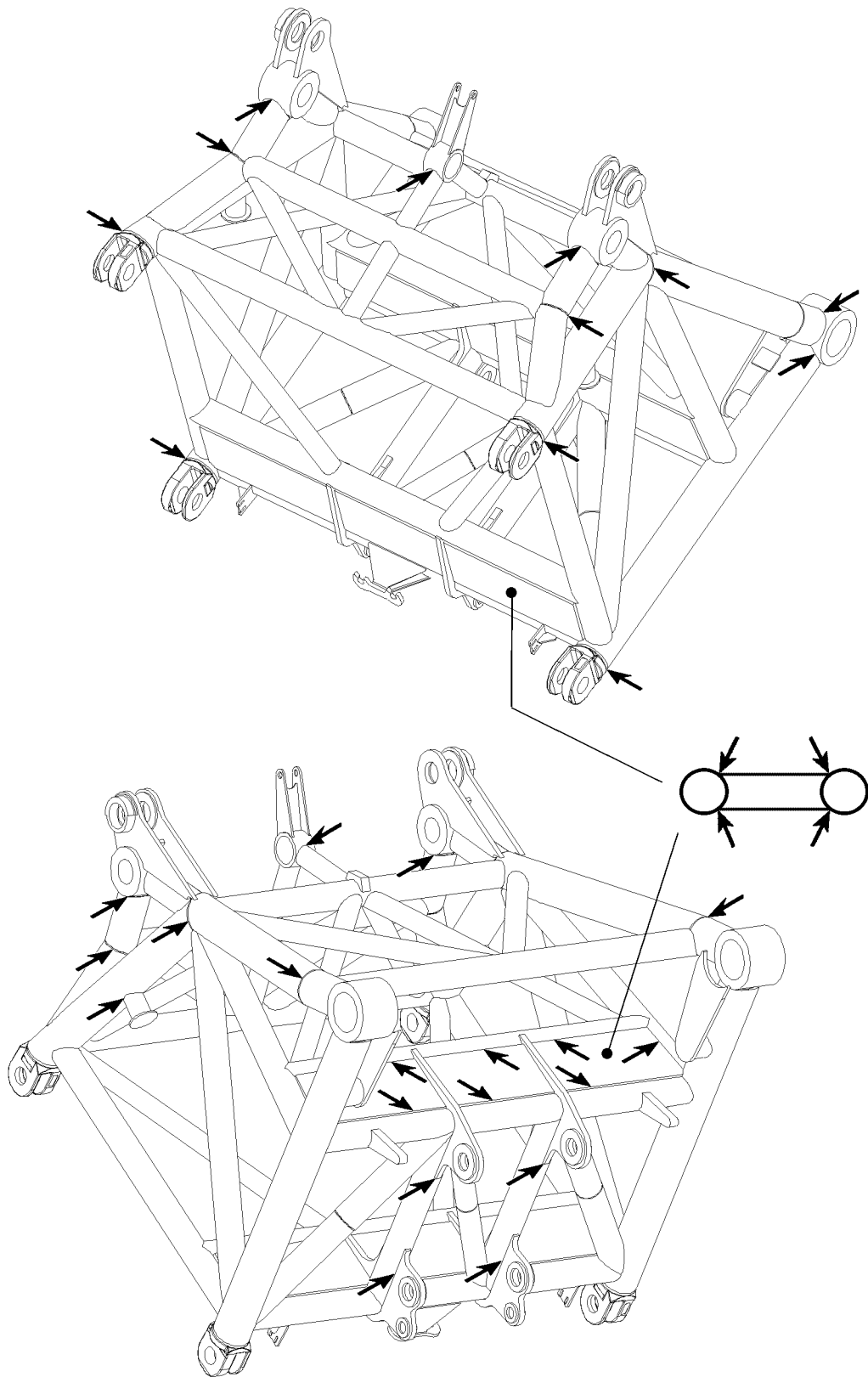


Fig.105697: Example for folding jib



LWE/LR 11350-005/19004-04-02/en

Fig.105732: Example for W-connector head

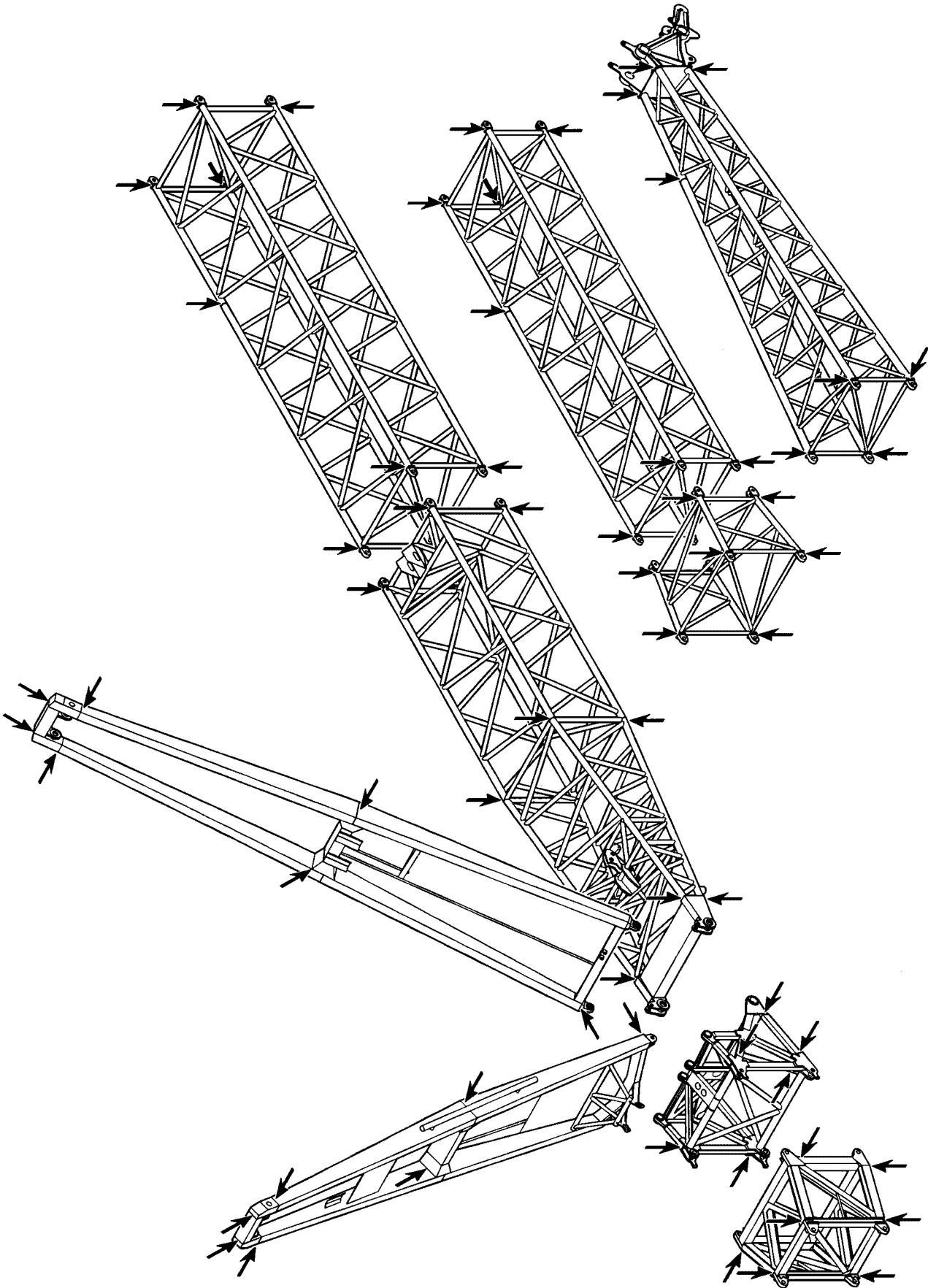
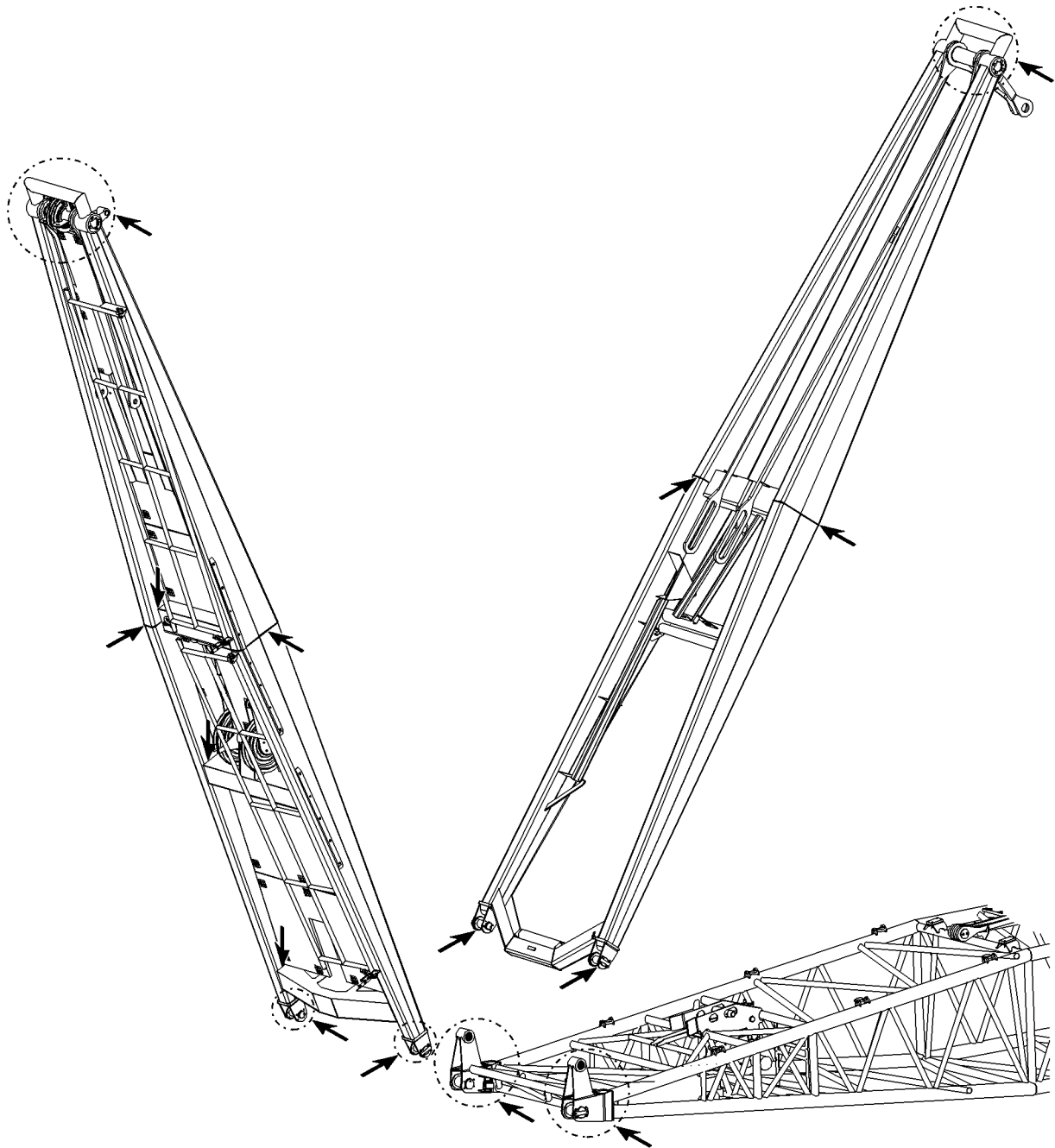


Fig.185053: Example for assembly unit with lattice jib

LWE/LR 11350-005/19004-04-02/en



LWE/LR 11350-005/190004-04-02/en

Fig.105838: Example for NA frames

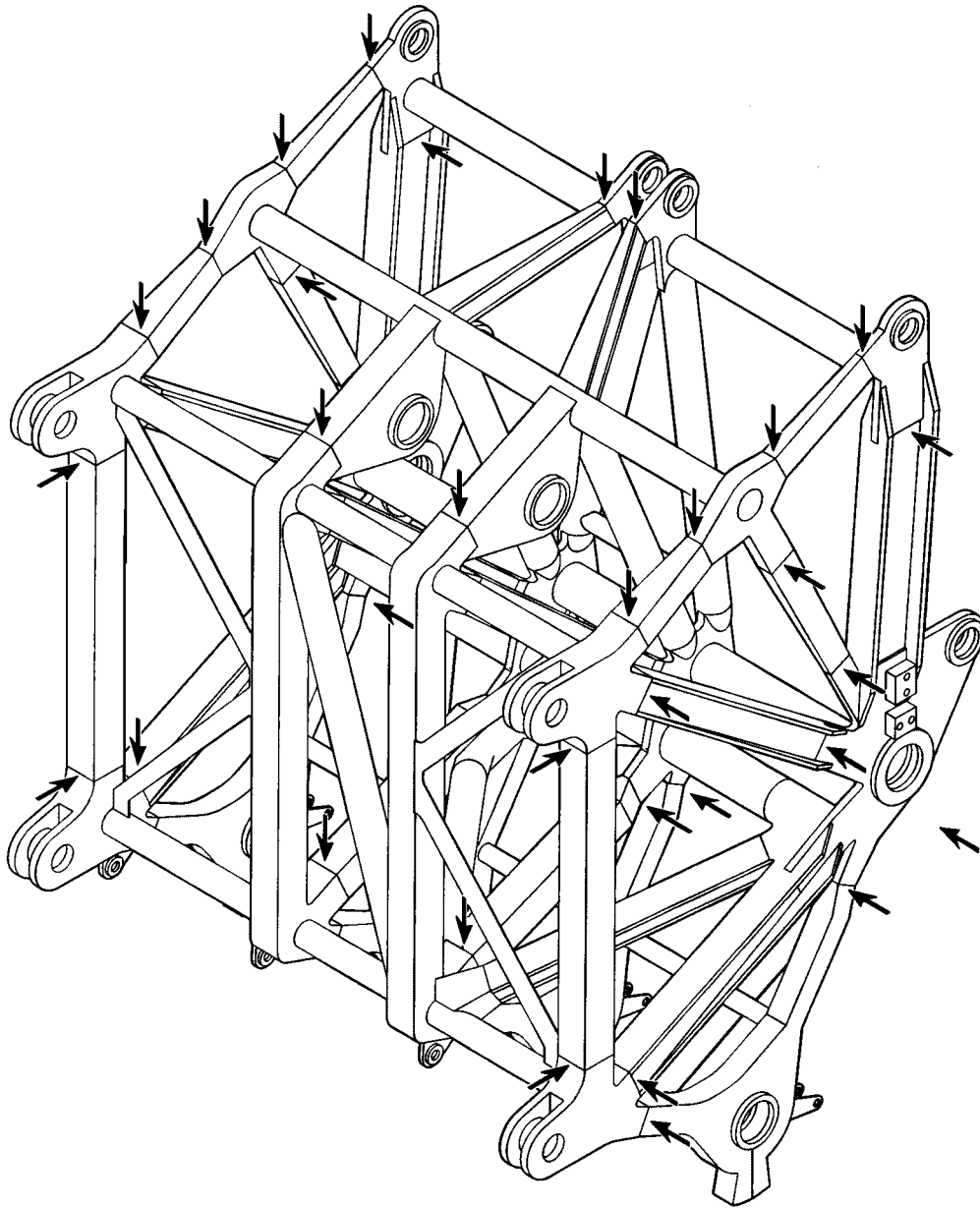
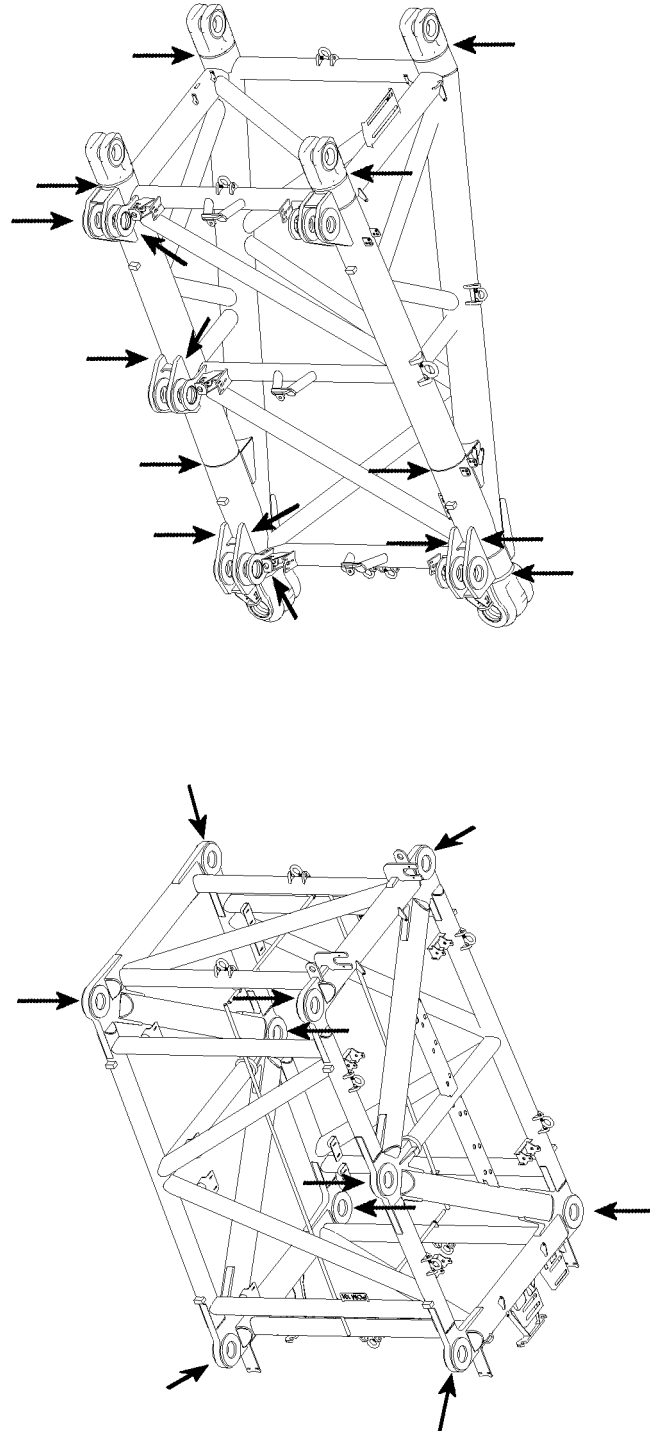


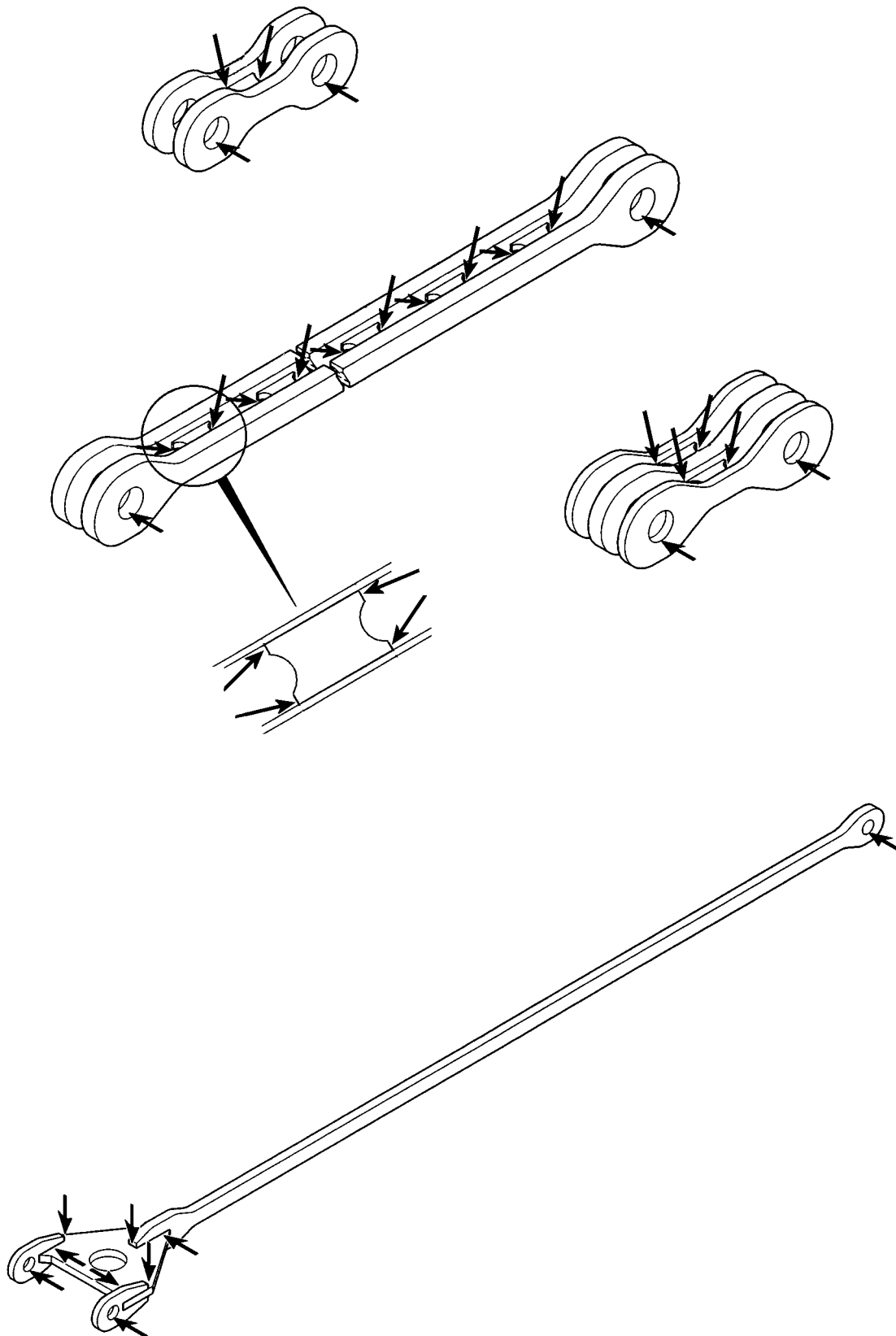
Fig.185054: Example for pulley head

LWE/LR 11350-005/19004-04-02/en



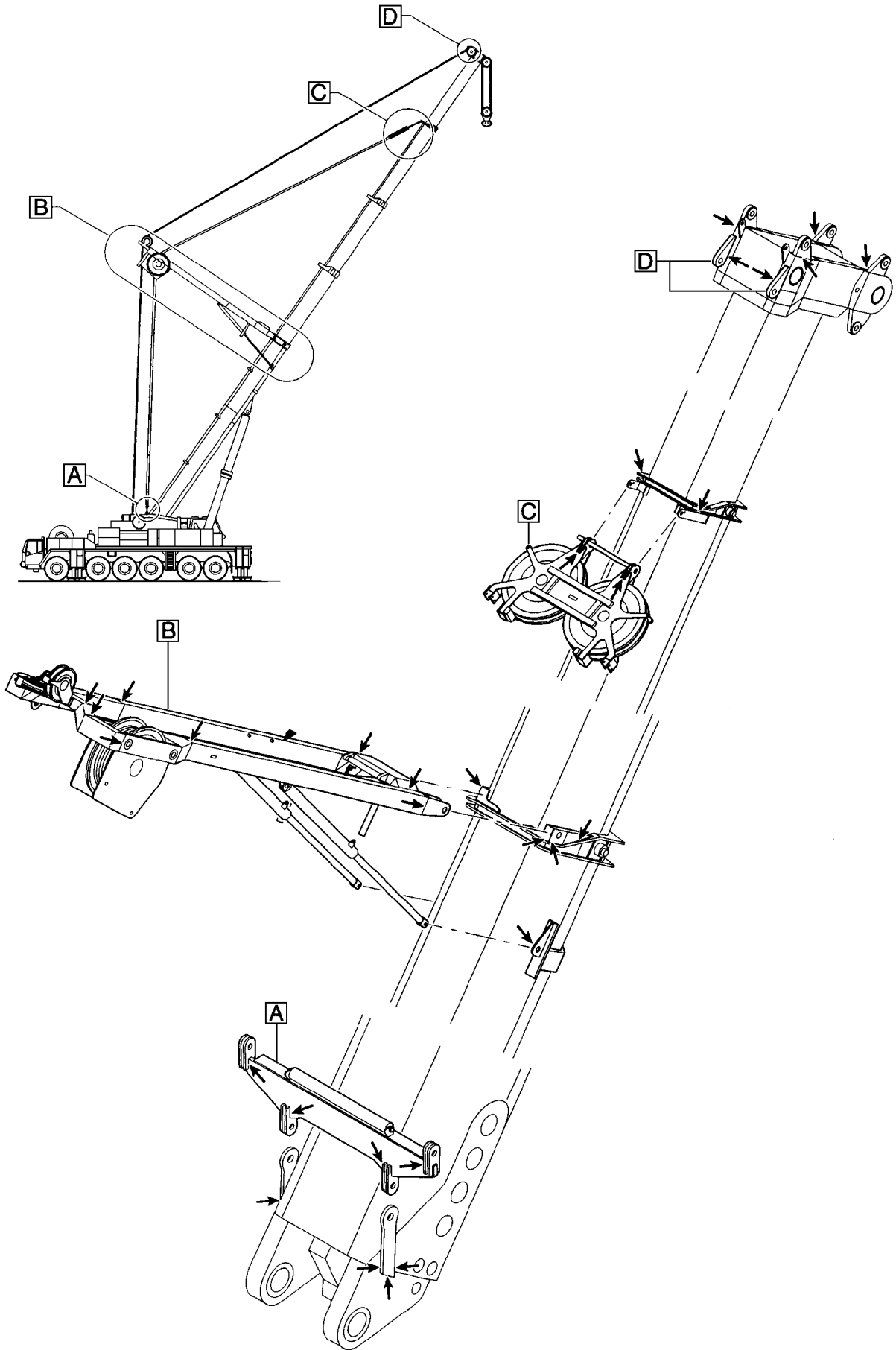
LWE/LR 11350-005/19004-04-02/en

Fig.116609: Example for P-adapter



LWE/LR 11350-005/19004-04-02/en

Fig.185055: Example for guy rod



LWE/LR 11350-005/190004-04-02/en

Fig.185059: Example for TA-guying

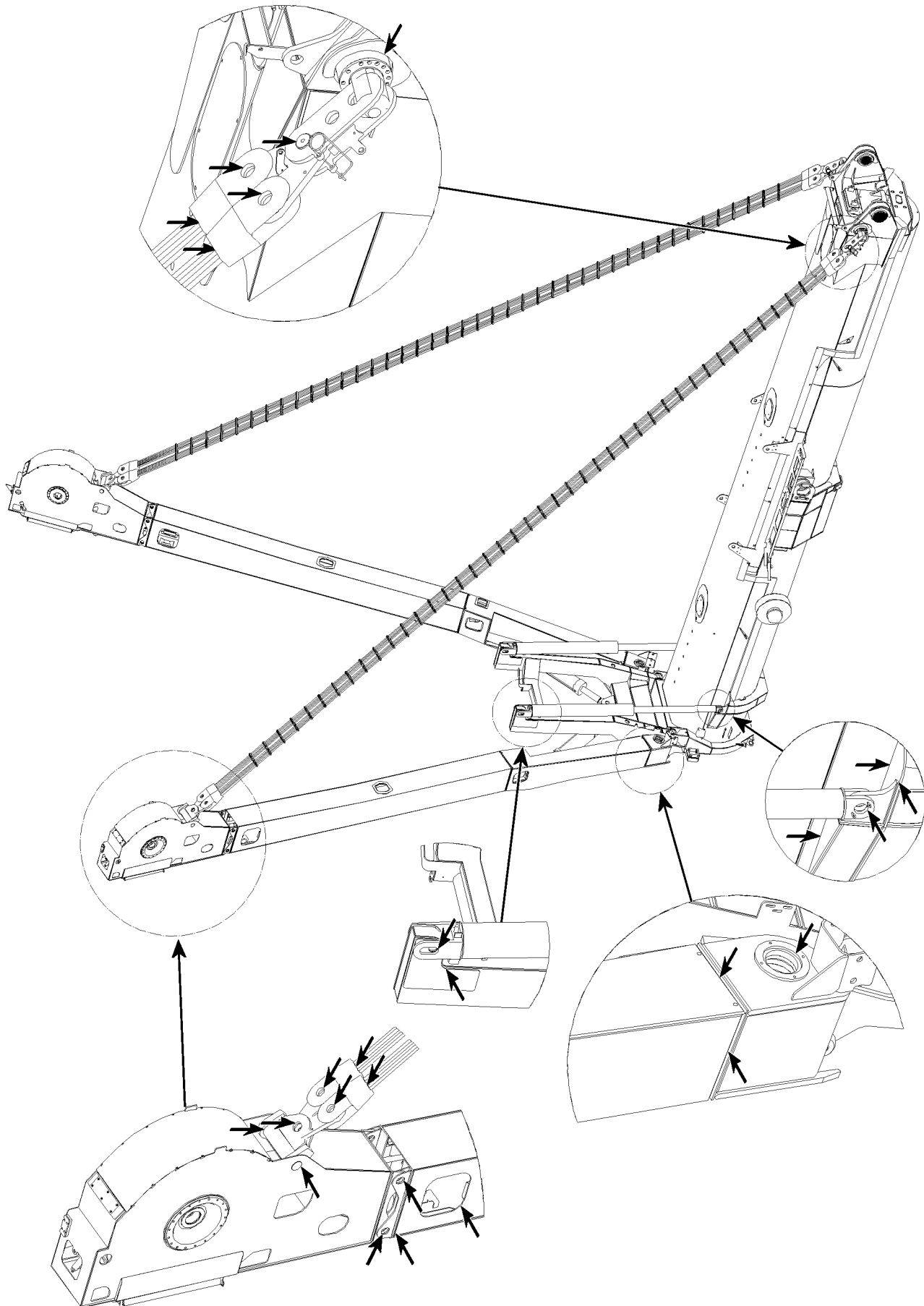
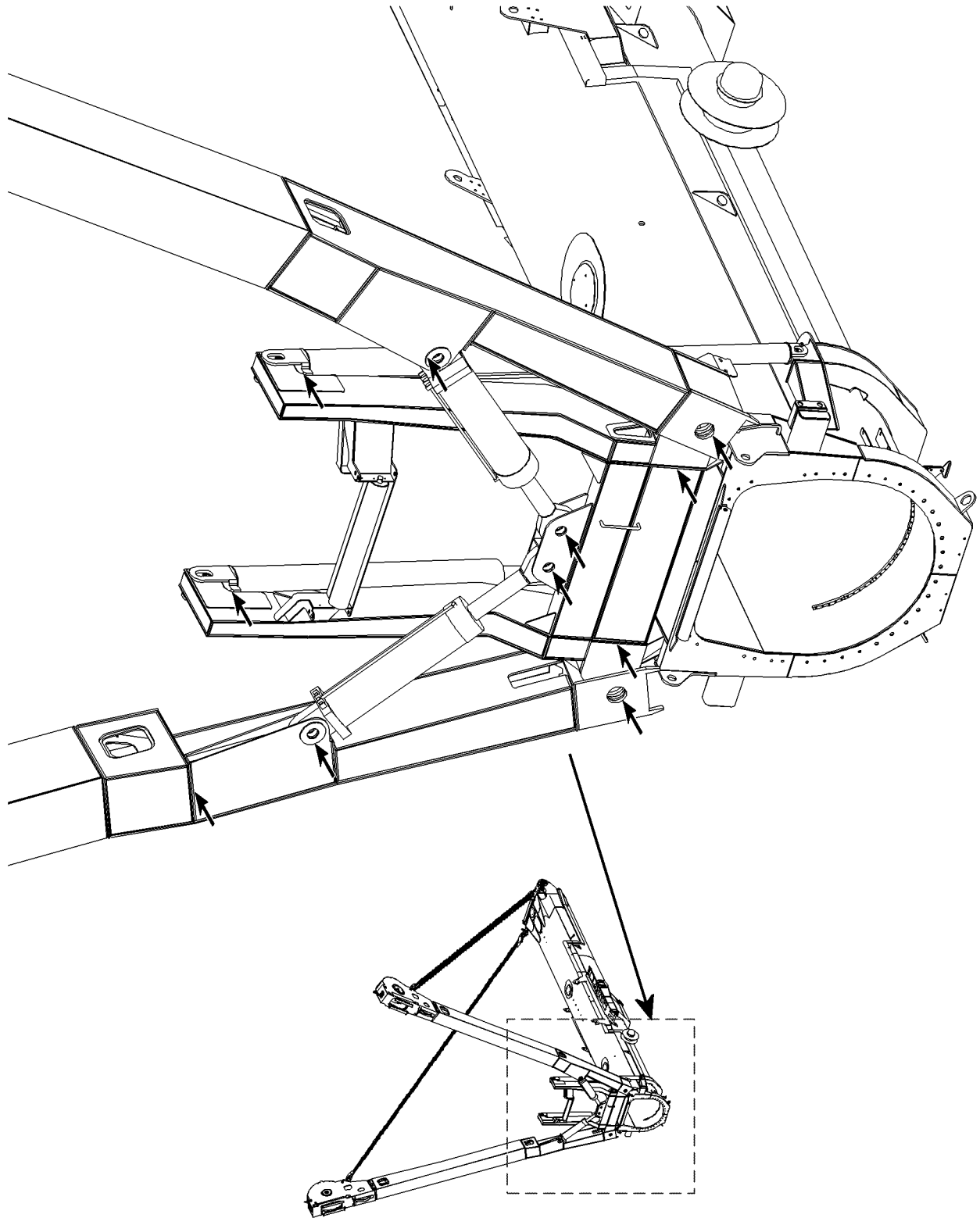


Fig.105707: Example for TY-guying

LWE/LR 11350-005/19004-04-02/en



LWE/LR 11350-005/190004-04-02/en

Fig.105708: Example for TY-guying

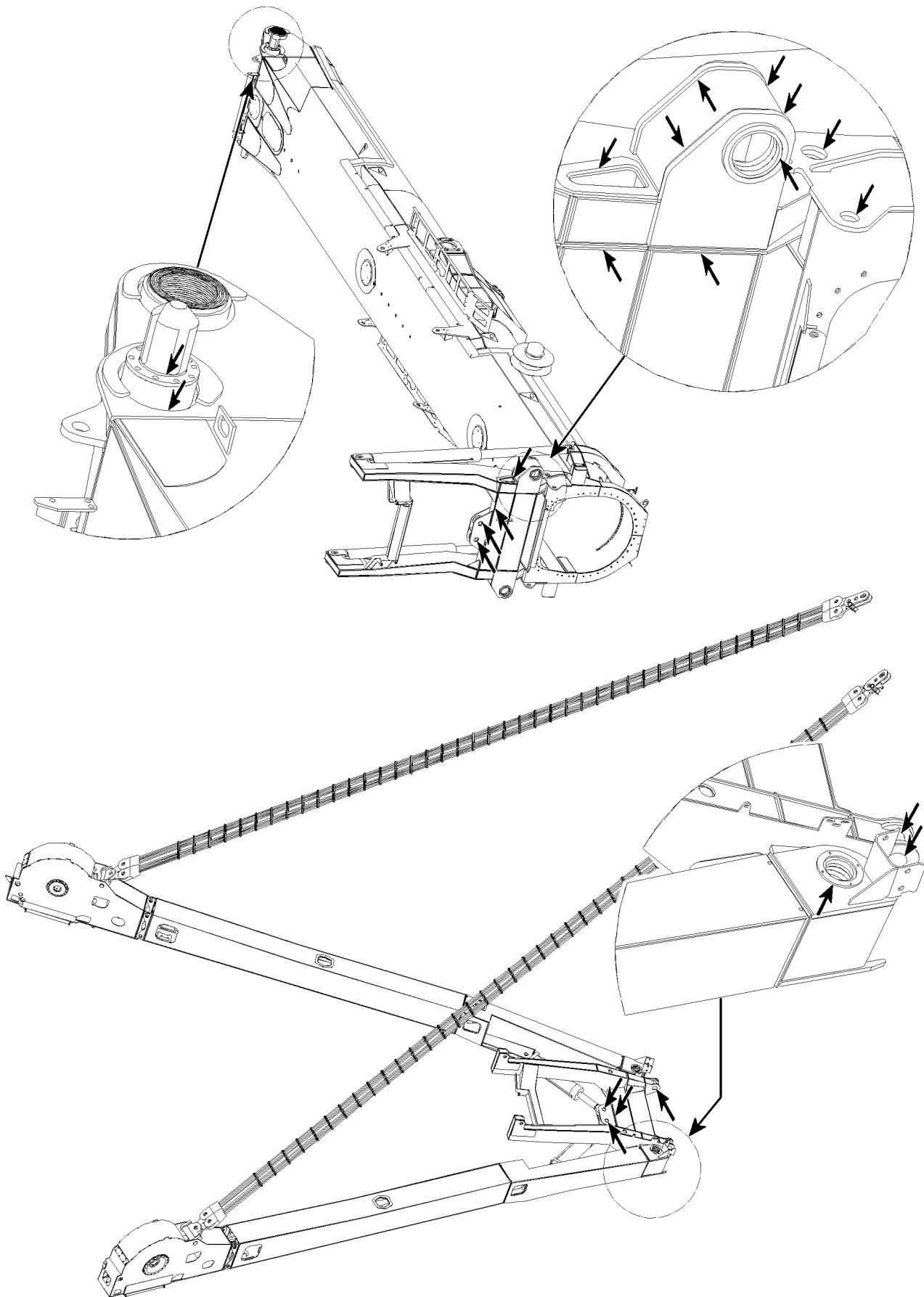


Fig.105709: Example for TY-guying

LWE/LR 11350-005/19004-04-02/en

2.4 Inspection of lattice sections



Note

- ▶ The illustration is only an example and is valid for all lattice sections!
- ▶ Check all diagonal and frame pipe connections!
- ▶ Check all bores of the fork - finger connections!

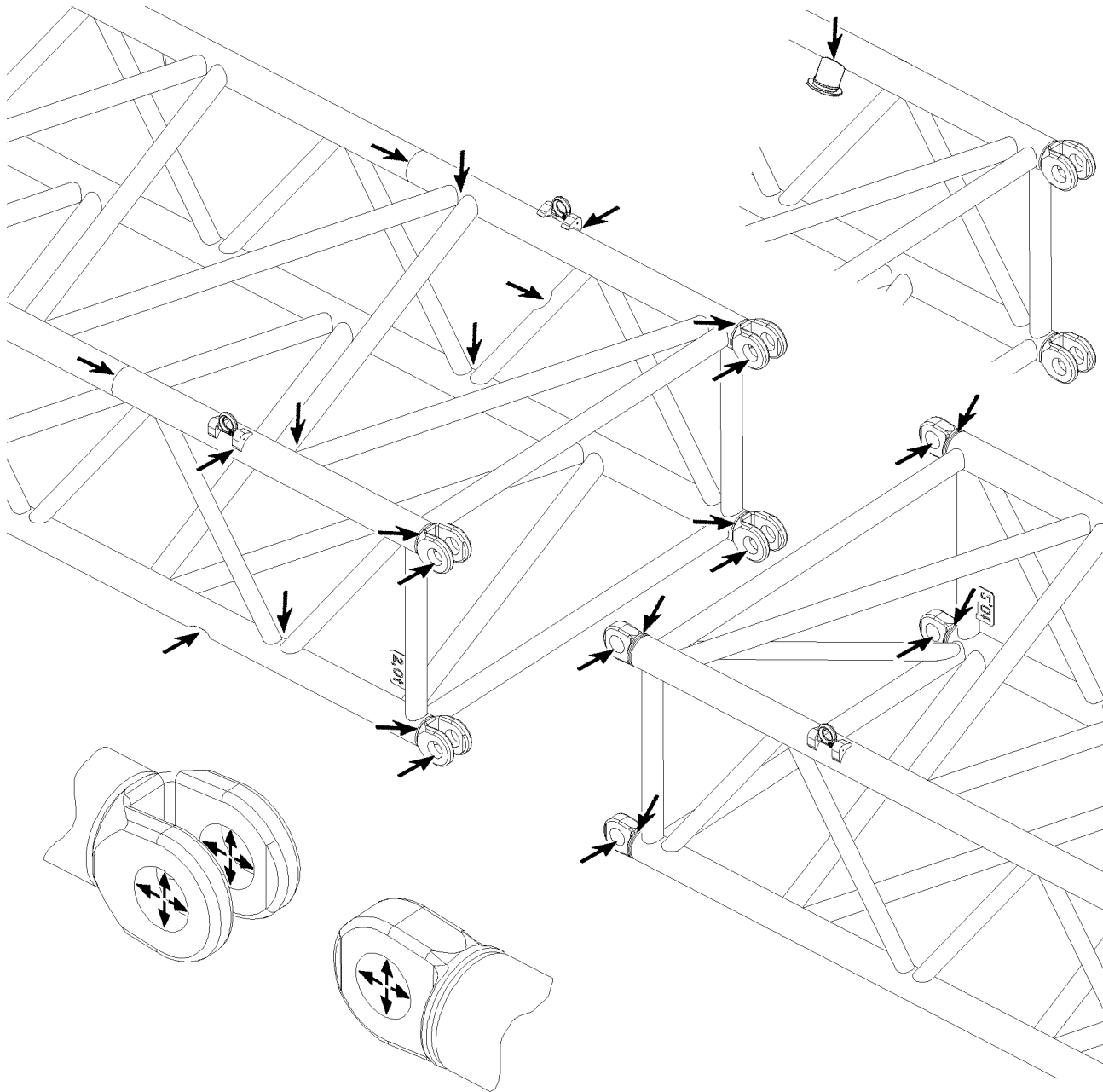


Fig.121023: Example for lattice sections

3 Inspection of the rope feed mechanism in the telescopic boom

3.1 Checking the ropes of the rope feed mechanism

- For inspection of rope end mounts, see Crane operating instructions, chapter 7.05.
- For inspection of the pretension on the retraction ropes, see Crane operating instructions, chapter 7.05.
- Inspection of ropes for damage according to ISO 4309, see Crane operating instructions, chapter 8.04.

3.2 Checking the change over pulleys of the rope feed mechanism



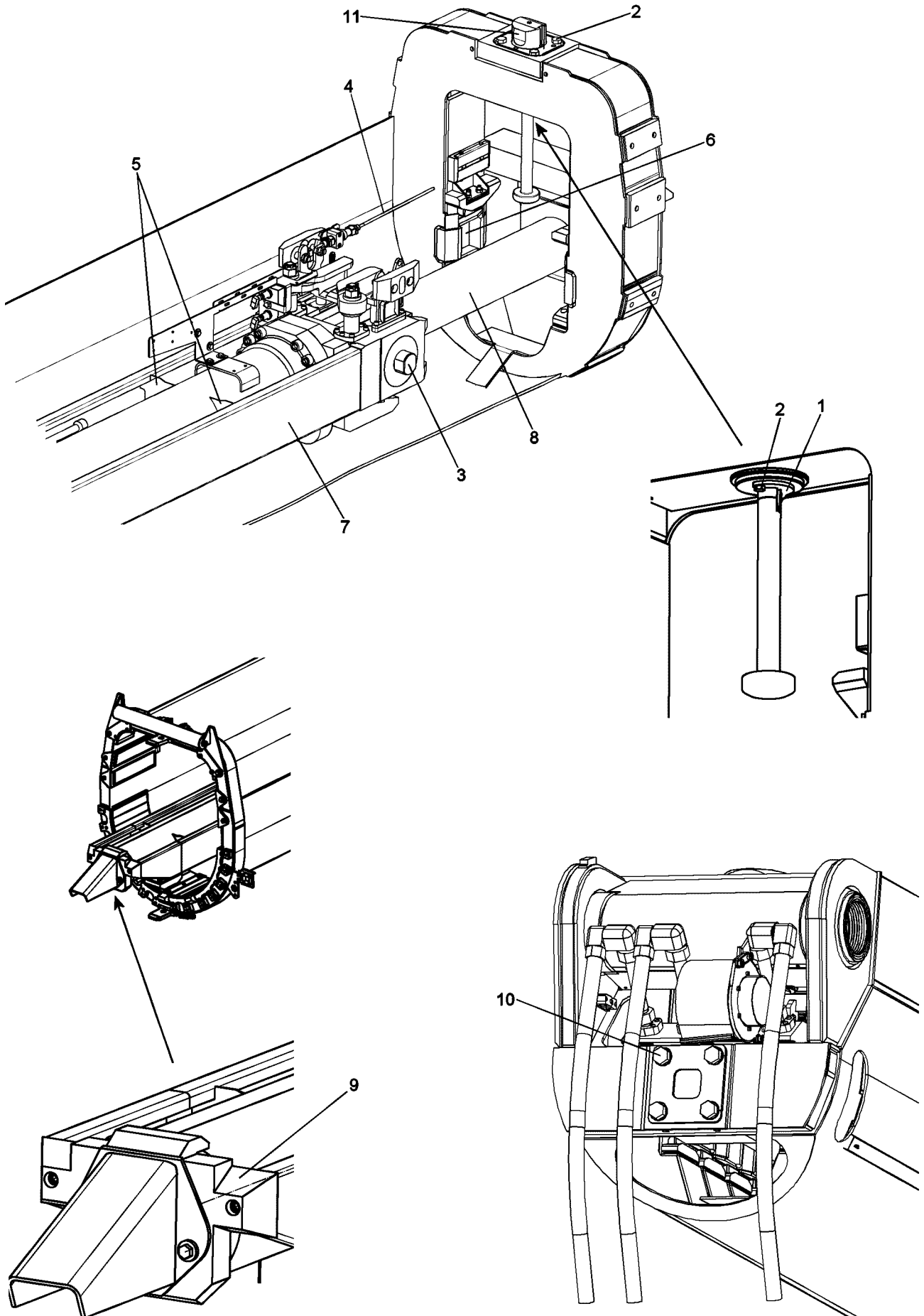
DANGER

Danger of accident in case of damage or cracks!

- ▶ Replace the change over pulley immediately!
-

Check the entire change over pulley assemblies for damage and cracks once a year.

Also check for wear in the rope groove. Replace the change over pulley if the bottom of the rope groove has been run down up to 1/4 of the rope diameter.



LWE/LR 11350-005/190004-04-02/en

Fig.109286

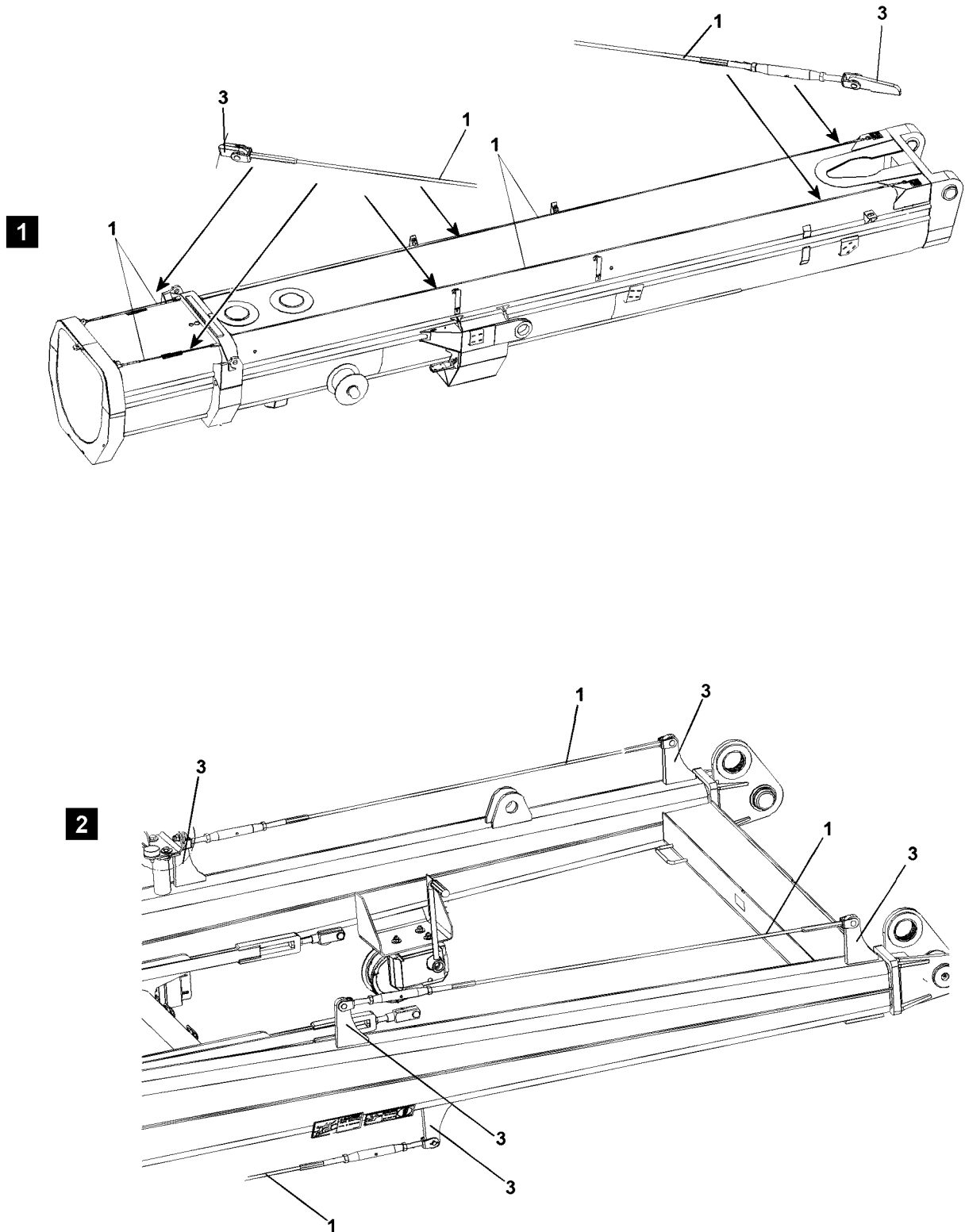
4 Inspection of locking system of telescopic boom

4.1 For cranes with pneumatic boom locking system

- To check the function, see Crane operating instructions, chapter 8.11.
- To check the pin wear pattern, see Crane operating instructions, chapter 8.11.
- To check the wear, see Crane operating instructions, chapter 8.11.
- To check the safety control, see Crane operating instructions, chapter 8.11.

4.2 For cranes with telescopic boom system Telematik

- Inspection of the pull knob safety **1** and all mounting screws **2** for tight seating
- Inspection of twist guards of cylinder pinning **3** and the telescopic boom pinning **11**
- Inspection of the length sensor rope **4** for damage
- Inspection of the cylinder barrel in the area of all welding seams **5** for crack formation
- Inspection of the locking pockets **6** for damage
- Grease the guide rail **7**
- In case of leakage: Inspection of the piston rod **8** for grooves
- Inspection of the wear pattern on the cylinder pinning **3** and the telescopic boom pinning **11**
- Inspection of guide rail **7** for distortion of contour
- Inspection of plastic guide **9** on cylinder bottom for damage
- Inspection of all mounting screws **10** on the push out cylinder for tight seating



LWE/LR 11350-005/19004-04-02/en

Fig.112739

5 Inspection of safety ropes and anchor points



WARNING

Danger of falls due to damaged safety ropes or anchor points!

The safety ropes **1** and anchor points **3** must be checked **at least once a year** by **expert personnel** for safety and damage!

If any defects are found on the safety ropes **1** or anchor points **3** during the inspections, then the safety ropes **1** or anchor points **3** must be replaced immediately by **expert personnel**! If this is not observed, assembly personnel could be killed or fatally injured in a fall!

- ▶ The rope pretension on the safety ropes must be 800 N !
- ▶ Have damaged safety ropes **1** or anchor points **3** replaced immediately by **expert personnel**!



Note

Document the inspections in writing!

- ▶ The scope and results of tests should be documented to permit reproducibility. This documentation forms part of the crane records and should be safely stored during the entire service life of the crane.

5.1 Check of rope pretension on telescopic booms, illustration 1

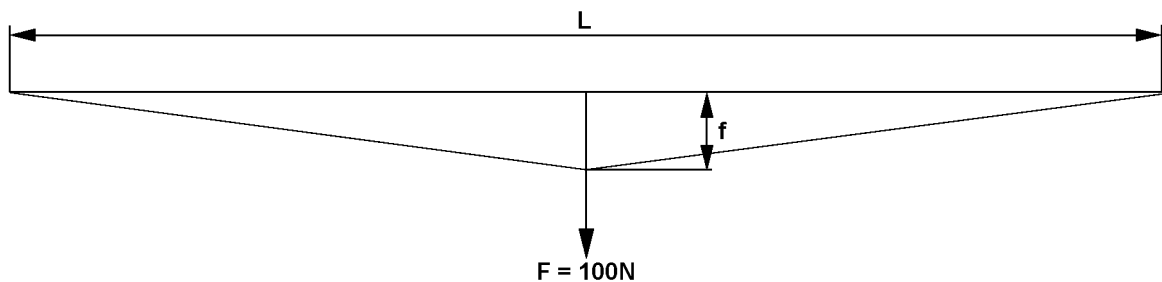
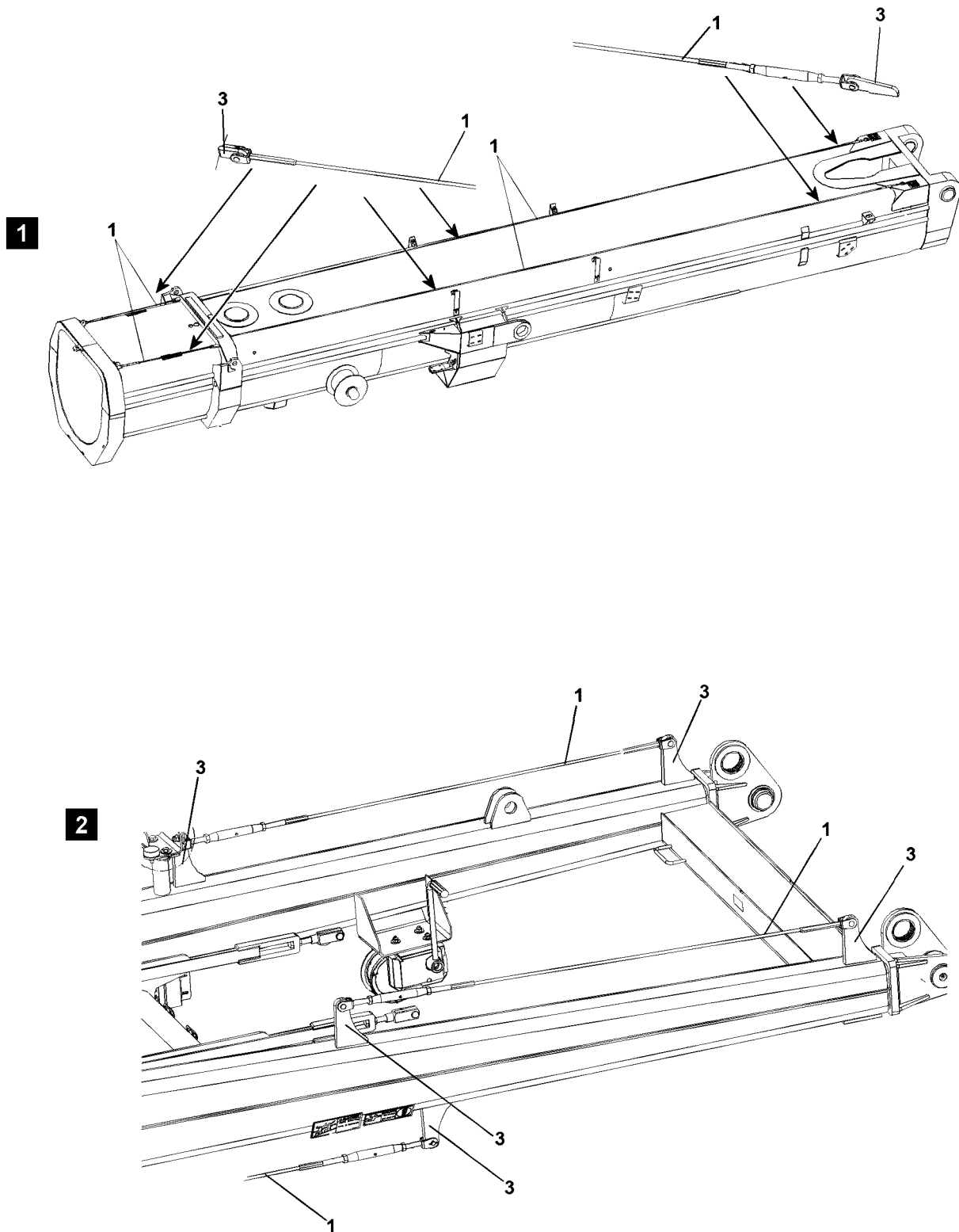


Fig.112738

The rope pretension must be 800 N. This can be checked with the aid of a spring balance, which is pulled centered on the safety rope. If the specified deflection (f) depending on the rope length (L) according to the following charts results for the raised load $F = 100 \text{ N}$ then the rope pretension of 800 N is set correctly.

Rope pretension is 800 N if:					
Rope length (L)	1.0 m	1.5 m	2.0 m	2.5 m	3.5 m
Deflection (f)	15 mm	25 mm	30 mm	40 mm	55 mm

Rope pretension is 800 N if:					
Rope length (L)	5.5 m	7.5 m	9.5 m	11.5 m	13.5 m
Deflection (f)	85 mm	115 mm	145 mm	180 mm	215 mm



LWE/LR 11350-005/19004-04-02/en

Fig.112739

5.2 Inspection of rope pretension on lattice sections, illustration 2

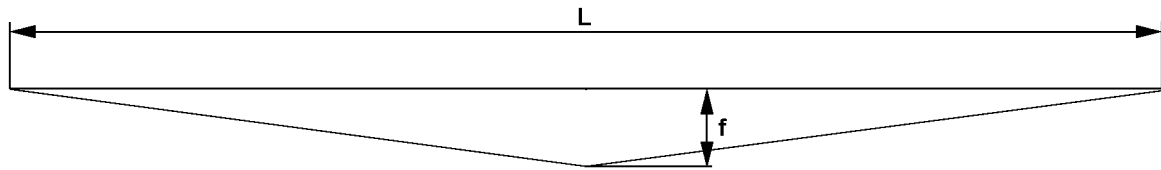


Fig.117747

The rope pretension is 800 N, if a sag (f) according to the chart is present on the safety rope according to the rope length (L).

Rope pretension is 800 N if:					
Rope length (L)	1.0 m	1.5 m	2.0 m	2.5 m	3.5 m
Deflection (f)	0	1 mm	2 mm	3 mm	6 mm

Rope pretension is 800 N if:					
Rope length (L)	5.5 m	7.5 m	9.5 m	11.5 m	13.5 m
Deflection (f)	15 mm	28 mm	45 mm	66 mm	90 mm

6 Inspection of membrane accumulator



Note

► The national regulations for pressurized container inspection must be observed!

The inspection of the membrane accumulators for specified gas pressure must be carried out by authorized and trained expert personnel, see Crane operating instructions, chapter 7.04, 7.05.

7 Inspection of relapse cylinders



WARNING

Fatal accidents due to defective relapse cylinders!

Loss of oil or corrosion can damage the relapse cylinders!

Safe crane operation is no longer ensured!

► Crane operation with defective relapse cylinders is prohibited!

7.1 Pressure test of relapse cylinders

The relapse cylinders must be inspected annually by an authorized expert. The purpose of the inspections is to avoid accidents by detecting deficiencies early on.

7.2 Checking the gas pressure and oil fill before operation



WARNING

Fatal accidents due to defective relapse cylinders!

Loss of oil or corrosion can damage the relapse cylinders!

Safe crane operation is no longer ensured!

- ▶ Before every operation: Carry out a visual inspection for leaks, damage and corrosion on the relapse cylinders.
- ▶ If any defects are found, the relapse cylinders must be inspected by the cylinder manufacturer!

The gas pressure and the oil fill must be checked by authorized and trained expert personnel for pressure tanks.

7.3 Inspection of the safety controls on the relapse cylinders

For inspection of the safety control or limit switches on the relapse cylinders and the boom A-frames, see Crane operating instructions, chapter 8.12.

8 Inspection of rope pulleys

8.1 Check for damage and cracks



DANGER

Danger of accident in case of damage or cracks!

- ▶ Replace rope pulley immediately!

Check the entire rope pulley assemblies for damage and cracks once a year.

If rope pulleys are subjected to any impacts (e.g., with buildings) or are otherwise overloaded, they must be visually inspected for damage or cracks immediately.

8.2 Checking the groove diameter

NOTICE

Worn rope pulleys!

The functionality and service life of the rope is reduced. Damage on rope.

- ▶ Before placing the rope, check the groove diameter of rope pulleys.

Visible wear on rope pulleys:

- Reduced groove diameter
- Negative impressions of the rope profile in the groove

Make sure that the following tools are available:

- Groove caliber

Make sure that the following prerequisites are met:

- All components to be inspected are cleaned
- The rope does **not** obstruct the inspection of the components



Note

- ▶ The actual groove diameter **must** be larger than the actual diameter of the rope.

The groove diameter of rope pulleys and winches must be at least 6 % larger than the nominal rope diameter.

Check the rope pulleys with a groove caliber for wear. When wear exists on the rope grooves: Fix the rope pulleys or replace.

9 Inspection of extension conditions of sliding beams

The extension conditions of the sliding beams must be checked annually by an expert.

Check the extension conditions on every sliding beam:

- Check if the position 0 % of the LICCON display matches the actual condition of the sliding beam.
- Check if the position 100 % of the LICCON display matches the actual condition of the sliding beam.

10 Inspecting the function of the overload protection

Position the longest boom at minimum and maximum radius: Check the load indicator, using the hook block as a test load.

The indicator reading may not deviate by more than 10 % off the true load value at these two extreme positions.

Measure the indicated radius for the longest boom at its minimum radius and at a boom angle of 45°.

The indicator readings may not deviate more than 10 % off the measured radius.

11 Inspecting the roller slewing ring connection

For tilt play measurement, see Crane operating instructions, chapter 7.05

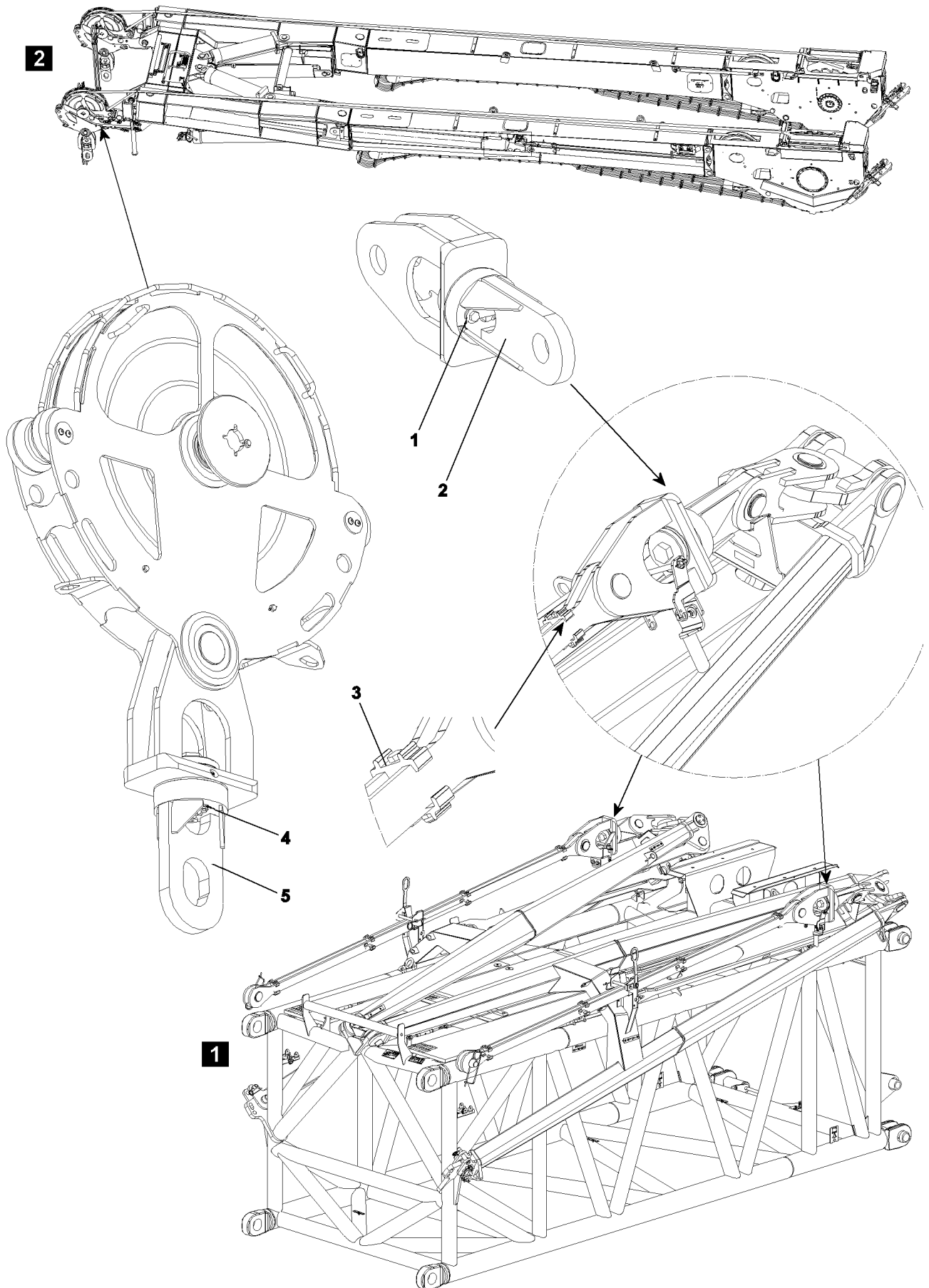
12 Inspection of the mounting of the load bearing equipment

Check that the mounting bolts for the roller slewing ring, winches, slewing gears and hitch are properly seated.

The slewing ring connection mounting bolts are pre-stressed at the factory, so that no loosening of the screw connections will occur during normal crane operation.

However, the screw connection may become overloaded and the bolts may be permanently stretched if the crane is overloaded or if the load is pulled free. It is therefore important to check these screws for tight seating during the annual crane inspection or after an overload.

Remove loose screws completely as well as the two adjacent screws on the right and left and check them for damage closely. Inspect the screws especially for cracks or permanent distortion. If a screw has been stretched by more than 0.2 % (in relation to its original length) or if cracks or other damage are detected, then the damaged screws must be replaced. If the screws have been stretched or there is other damage, then the adjacent screws must also be replaced.



LWE/LR 11350-005/19004-04-02/en

Fig.109096

13 Inspection of the tele extension with eccentric, illustration 1

- Inspection of twist guard **1** for damage and loose screw connection.
- Inspection of rotator **2** for easy turnability.
- Inspection of all clamps **3** for damage and function.

14 Inspection of change over pulleys, illustration 2

- Inspection of twist guard **4** for damage and loose screw connection.
- Inspection of rotator **5** for easy turnability.

15 Inspection of the oil and fuel reservoirs

Visually check the oil and fuel tanks at least once a year for leaks and safe mounting.

Repairs may only be carried out by trained and knowledgeable specialists.

Improper repairs; e.g., welding, hard or soft soldering is not permitted, particularly if the Service department at Liebherr-Werk Ehingen GmbH has not been consulted!

16 Inspection of the auxiliary reeving winch, recovery winch and spare wheel winch

Determine the service life of the auxiliary reeving winch, the recovery and spare wheel winches from their respective original manufacturer.

Empty page!

LWE/LR 11350-005/19004-04-02/en

Fig.195219

LWE/LR 11350-005/19004-04-02/en

1 Inspecting the hoist and retracting winches

The hoist and retracting winches are designed in sealed planetary gear version. These gears are sized for long service life and the drive shafts and gears are rated for endurance.

Even though the hoist and retracting winches are designed for long life, an external visual inspection is not adequate, since their life can be significantly affected by bad maintenance (insufficient oil), using oil that does not meet specification requirements, defective seals, improper operation or overloading.

The annual inspection must therefore be carried out by an **expert** in accordance with the following requirements.

The winches must be inspected by an **authorized inspector** every four years after the initial license.

Within the territorial validity of the BGV D6, after the 10th year in operation, counted from the first day of initial license, when the theoretical utilization time is not over, the winches must be checked annually by an **authorized inspector**.

2 Checking the groove diameter



WARNING

Worn winches!

Damage of flanged disks, high rope wear, operational problems. Broken rope, falling load.

► Before placing the rope, check the groove diameter of winches.

Visible wear on winches:

- Reduced groove diameter
- Mechanical damage, for example scrub marks or scouring on flanged disks

Make sure that the following tools are available:

- Groove caliber

Make sure that the following prerequisites are met:

- All components to be inspected are cleaned
- The rope does **not** obstruct the inspection of the components



Note

► The groove radius may **not** be smaller than the actual diameter of the rope.

The groove diameter of rope pulleys and winches must be at least 6 % larger than the nominal rope diameter.

Check winches with a groove caliber for wear. When wear is present: Fix the winch or replace.

3 Inspection intervals

At least once a year, see Crane operating instructions, chapter 7.03.

4 Checking the oil level

Check the oil level with the dipstick.

For hoist and retracting winches **without** a dipstick, we recommend that the oil is drained and the amount compared to the specified oil quantity.

5 Evaluating oil color

Assume that the oil has been overheated if it is black and / or a burnt oil smell is detected. Change the oil.

6 Checking for solid foreign substances

As a rule, a qualified laboratory should carry out an oil analysis.

For simple testing, the following procedure can be used:

Drip the used oil on a specified filter fleece. Visual inspection with a magnifying glass may reveal coarse particles. If particles are detected, all the oil's properties must be examined by a qualified laboratory.



Note

- ▶ The evaluation of the foreign particles found in the oil must be made by a qualified laboratory!
- ▶ The maximum permissible quantity of foreign material measured by weight is 0.15 % of total oil weight!
- ▶ Maximum permissible foreign particle size from fine abrasion is 0.25 microns!
- ▶ If the above value have been exceeded, remove the gear and search for the cause of the increased abrasion!
- ▶ Damaged components must be replaced and the gear refilled with fresh oil!

NOTICE

Danger of property damage!

- ▶ Repairs may only be carried out by specialists with appropriate technical knowledge!

7 Visual inspection for leaks

The gears must be checked for leaks, since oil losses - in addition to polluting the environment - can lead to gear failure.

8 Inspecting the gear brakes

Check the brakes each time the gears are inspected.

In order to do so, proceed as follows:

- Attach a load, which creates 40 % of the maximum rope pull in the uppermost layer of the coil and raise it just off the ground.
- Remove the plug on the brake vent magnet.
This means the brake remains applied when activated.
- Activate the winch in the lowering direction.



Note

- ▶ The brake may not slip, in other words, the winch may not turn. If the brake slips, contact the Service department at Liebherr-Werk Ehingen GmbH!
- ▶ Only operate the crane after it has been checked and approved for use by the Service department at Liebherr Werk Ehingen GmbH!

NOTICE

Danger of property damage!

- ▶ Only qualified personnel with specialized knowledge may be used to evaluate gears and brakes!

9 Documenting the completed inspection

The results of the annual inspections and maintenance work, including the steps taken, must be documented by the competent or authorized inspector, including attachments from the inspection labs and qualified service companies if applicable.

This documentation must be filed in the crane inspection log under the heading "Periodic inspections".

10 Requirements for monitoring the winches

10.1 Theoretical service life

The designer of your crane used a theoretical total operating time when designing and sizing the winches. This resulted in the theoretical service life of the equipment.

The winches of your crane are classified according to ISO 4301/1 as follows:

Winches	Classification
Power train group:	M3
Load spectrum:	L1
Load spectrum factor Km:	0,125
Theoretical service life D:	3200 h

**Note**

- ▶ The „theoretic service life“ is not equal to the real (true) service life of a winch!

The actual life of the winch is affected by many additional outside factors; for example:

- Overloads caused by unapproved use of the crane.
- Inadequate maintenance: Oil is not changed in a timely manner
- Improper operation:
 - Extreme acceleration or deceleration of the load
 - Load falling into the ropes
- Maintenance errors:
 - Using the wrong type of oil
 - Too much or too little oil
 - Contamination during oil change
- Assembly errors during repair and maintenance
- Undetected leakage
- Incorrectly set safety devices
- Hidden damage from accidents
- Extreme environmental conditions:
 - Extreme low or high temperatures
 - Corrosive atmosphere
 - Dust and dirt

10.2 Used proportion of the theoretical service life.

The crane operator is obligated to carry out an inspection of the crane at least once a year.

At this time, the actually used part of the theoretical service life must also be calculated. If necessary, the crane operator must contract an authorized inspector.

For the determination of the used part of the theoretical service life, the actual operating conditions (load spectrum) and the hoist gear operating hours for each inspection interval are to be determined. The operator is responsible for the documentation in the crane inspection log.

10.2.1 Determining the operating conditions (load spectrum)

The load spectrum of the crane is divided into groups, please refer to ISO 4301/1.

Select one of the following load spectrums and record it in the crane inspection log for the respective inspection interval based on the actual operating conditions. A more precise determination of the load spectrum is permissible.

Load spectrum class: Light L1

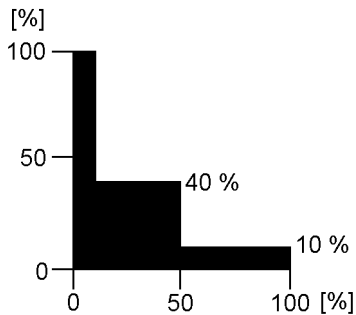


Fig.195234: Graphic illustration Load spectrum L1

Definition:

Power train or parts thereof are subjected to maximum stress only in exceptional cases, but normally only operate at very light loads.

Operating time rates:

10 % of the time at maximum load (dead load and 1/1 working load)

40 % of the time with dead load and 1/3 working load

50 % of the time only with dead load

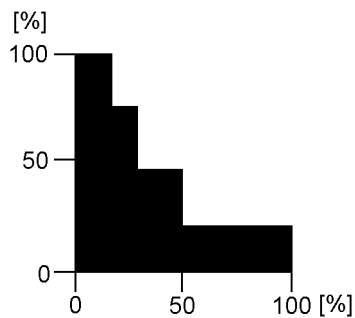
Factor of load spectrum:

$K_m = 0.125$



Note

- Load spectrum L1 with load spectrum factor $K_m = 0.125$ is normally applied to cranes used for assembly operations!

Load spectrum class: Medium L2*Fig.195235: Graphic illustration Load spectrum L2***Definition:**

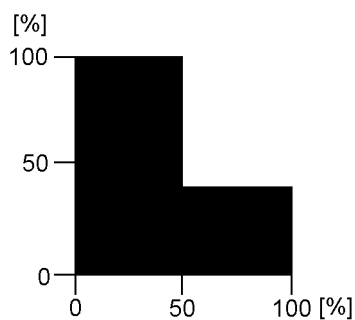
Power train or parts thereof are subjected to maximum load relatively often, but normally only operate at light load.

Operating time rates:

- 1/6 of the time at maximum load (dead load and 1/1 working load).
- 1/6 of the time with dead load and 2/3 working load.
- 1/6 of the time with dead load and 1/3 working load.
- 50 % of the time only with dead load

Factor of load spectrum:

$$K_m = 0.25$$

Load spectrum class: Heavy L3*Fig.195236: Graphic illustration Load spectrum L3***Definition:**

Power train or parts thereof are frequently subjected to maximum load and normally operate at medium load.

Operating time rates:

- 50 % of the time at maximum load (dead load and 1/1 working load)
- 50 % of the time only with dead load

Factor of load spectrum:

$$K_m = 0.5$$

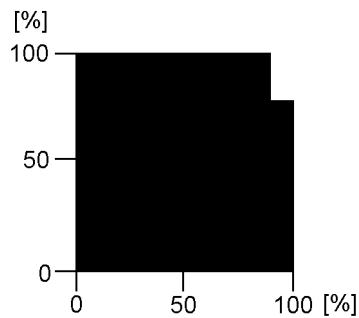
Load spectrum class: Very heavy L4

Fig.195237: Graphic illustration Load spectrum L4

Definition:

Power train or parts thereof are regularly subjected to near maximum loads.

Operating time rates:

- 90 % of the time at maximum load (dead load and 1/1 working load)
- 10 % of the time only with dead load

Factor of load spectrum:

$K_m = 1$

10.2.2 Determining the effective operating hours T_i

The effective operating hours calculated as follows must be entered into the crane inspection log for the respective inspection interval.

There are four different scenarios:

1. Operating hour meter installed on every winch.
If an operating hour meter is installed on every winch, the effective operating hours T_i can be read directly during each inspection.
2. Operating hour meter installed for the overall crane drive.
The winch proportion of the total superstructure operating hours must be estimated.
For cranes used in assembly operations, the operating time for the hoist winches can be estimated generally at 20 % of the total operating hours of the superstructure.
3. One operating hours meter is used for both the crane engine and the crane drive.
The winch proportion of the total crane operating hours must be estimated.
For cranes used in assembly operations, the operating time for the superstructure can be estimated at 60 % of the total operating hours of the crane. If the hoist winch proportion is estimated at 20 % of the superstructure operating hours (see previous item), then the result in relation to the **total** operating hours of the crane is: 12 %.
4. No operating hour meter installed.
In this case, the operator must estimate and document the actual operating hours of the winch.
The approximate percentages stated above normally apply to main hoist winches. For auxiliary hoist winches or boom control winches, the proportion of the total operating hours can be significantly less and should therefore be estimated by the operator.

10.2.3 Determining the used proportion of the theoretical service life

For an inspection interval i (max. 1 year), the actually used proportion S_i of the theoretical Service life is derived from the formula:

$$S_i = \frac{K_{m_i}}{K_m} \times T_i$$

Fig.195230

Abbreviation	Explanation
S_i	Used proportion of the theoretical service life.
K_m	Load spectrum factor that was used to calculate the winch rates. This factor is provided in the Operating instructions.
K_{m_i}	Load spectrum factor for inspection interval i according to section „Determining the operating conditions“.
T_i	Effective operating hours for inspection interval i according to section „Determining the effective operating hours T_i “.

The actually used proportion is subtracted from the remaining theoretical service life D_i after each inspection interval (see example).

If the remaining theoretical service life is not long enough to cover the next projected operating period, a general overhaul of the winch is required.

If the theoretical service life D has been reached (see chapter on „Theoretical service life“), then the winch may only be operated after conducting a general overhaul.

A general overhaul of the winch is required not later than 10 years after commissioning.

The general overhaul must be arranged by the operator and carried out by the manufacturer or the manufacturer's authorized representatives and must be documented in the inspection log. After the general overhaul, the manufacturer or the manufacturer's authorized representative will define a new theoretical service life D .

When the design life has not been reached after 10 years, continued operation of the winch without a general overhaul is acceptable, when the crane's authorized inspector has confirmed the accuracy of the actual usage calculation by signing the crane inspection log at each authorized inspection interval.

In such a case, the authorized crane inspector must thoroughly inspect the winch. This comprises at least:

- External visual inspection (leakage, damage, deformation, etc.).
- Oil check, especially for metal residues.
- Load test at minimum and maximum rope tension and at maximum possible speed in both cases. At least one layer must be spooled up. Pay particular attention to any unusual noises during this load test.

The authorized crane inspector must confirm this inspection in the crane inspection log and must make a statement regarding suitability of the winch for continued operation. The next inspection must take place at the end of the 12th operating year and annually thereafter.

10.3 Example

According to the manufacturer's operating manual, a mobile crane with a separate operating hour meter for the crane engine and the crane drives is classified as follows:

- Power train group: M3
- Load spectrum: Light L1
- Factor of load spectrum: $K_m = 0.125$
- Theoretical service life: $D = 3200$ h

Actual usage proportion S of the theoretical service life is calculated using the individual inspection intervals as follows:

10.3.1 First inspection (first year)

The crane was used for assembly work during the past year:

Load spectrum L1, in other words $Km_1 = 0.125$.

The superstructure hour meter indicates 800 h. The winch was operated about 20 % of the time; i.e. $T_1 = 160$ h.

The actual usage proportion S of the theoretical service life at the time of the first inspection is therefore:

$$S_1 = \frac{0,125}{0,125} \times 160 \text{ h} = 160 \text{ h}$$

Fig.195231

Remaining theoretical service life:

$$D_1 = 3200 \text{ h} - 160 \text{ h} = 3040 \text{ h}$$

The above values are recorded in the crane inspection log.

10.3.2 Second inspection (second year)

The crane was used at a harbor for unloading work:

Load spectrum L3, in other words $Km_2 = 0.5$.

The superstructure hour meter indicates 2000 h ; i.e., during this period:

2000 h – 800 h = 1200 h (800 h were used in the first year of operation)

The winch was operated about 40 % of the time; i.e. $T_2 = 480$ h.

The actual usage proportion S_2 of the theoretical service life at the time of the second inspection is therefore:

$$S_2 = \frac{0,5}{0,125} \times 480 \text{ h} = 1920 \text{ h}$$

Fig.195232

Remaining theoretical service life:

$$D_2 = 3040 \text{ h} - 1920 \text{ h} = 1120 \text{ h}$$

10.3.3 Third inspection (third year)

The crane was used for assembly work and occasionally at a harbor for unloading work:

Load spectrum L2, in other words $Km_3 = 0.25$.

The superstructure hour meter indicates 3000 h ; i.e., during this period:

3000 h – 2000 h = 1000 h (2000 h were used in the first two years of operation)

The winch was operated about 30 % of the time; i.e. $T_3 = 300$ h.

The actual usage proportion S_3 of the theoretical service life at the time of the third inspection is therefore:

$$S_3 = \frac{0,25}{0,125} \times 300 \text{ h} = 600 \text{ h}$$

Fig.195233

Remaining theoretical service life:

$$D_3 = 1120 \text{ h} - 600 \text{ h} = 520 \text{ h}$$

10.4 Chart for determining the theoretically remaining service life

Chart 1 includes an example.

The remaining theoretical service life is to be documented in chart 2.

Chart to determine the remaining theoretical service life of winch No. 1 (Main hoist winch)

Crane type: LTM 1050
 Fabrication No.: 0010 540 08
 Put in service: 12345
 Serial number of winch according to data tag: 0815
 Last general overhaul performed on:
 Configuration data of winch (see Operating Manual):
 Drive gear group: M 3
 Load collective: L 1
 Factor of load collective Km: 0.125
 Theoretical service life D: 3200 hrs.

S_i = Used part of theoretical service life since last inspection
 D_i = Remaining theoretical service life
 D_{i-1} = Remaining theoretical service life after previous inspection
 Km = Factor of load collective, which was taken for calculation of winch.
 This factor is to be taken from the Operating Manual
 Km_i = Factor of load collective in inspection interval i
 T_i = Effective operating hours in inspection interval i

(*) In the following pages, carry over the last line from the previous page.

Inspection interval No. (max. annually)	Date of initial service data of inspection	Operating conditions since last inspection (load collective)	Factor of load collective	Total crane operating hours	Operating hours of super-structure	Operating hours of super-structure since last inspection	Operating hours of winch	Operating hours of winch since last inspection T_i	Used part of theoretical service life $D_i = \frac{S_i}{Km_i} \times T_i$	Remaining theoretical service life $D_i = D_{i-1} - S_i$	Name of inspector	Signature	Remarks	Name of expert	Signature
i			Km_i	[h]	[h]	[h]	[h]	[h]	[h]	[h]					
(*) 0	10.06.90	-	-	-	0	0	0	0	0	3200					
1	05.06.91	L1	0,125	-	800	800	-	160 (20% of 800)	160	3040	Müller				
2	20.05.92	L3	0,5	-	2000	1200	-	480 (40% of 1200)	1920	1120	Huber				
3	18.05.93	L2	0,25	-	3000	1000	-	300 (30% of 1000)	600	520	Mair				
4															

CAUTION: Perform general overhaul at least once every 10 years! In case of deviation, see guidelines in this chapter.
 General overhaul last performed on :

LWE/LR 11350-005/19004-04-02/en

Chart to determine the remaining theoretical service life of winch No.

- Crane type:
 - Fabrication No.:
 - Put in service:
 - Serial number of winch according to data tag:
 - Last general overhaul performed on:
 - Configuration data of winch (see Operating Manual):
 Drive gear group: M.....
 Load collective: L.....
 Factor of load collective Km:
 - Theoretical service life D:

- S_i = Used part of theoretical service life since last inspection
 D_i = Remaining theoretical service life
 D_{i-1} = Remaining theoretical service life after previous inspection
 Km = Factor of load collective, which was taken for calculation of winch.
 This factor is to be taken from the Operating Manual
 Km_i = Factor of load collective in inspection interval i
 T_i = Effective operating hours in inspection interval i
- *) In the following pages, carry over the last line from the previous page.

Inspection interval No. (max. annually)	Date of initial service data of inspection	Operating conditions since last inspection (load collective)	Factor of load collective	Total crane operating hours	Operating hours of super-structure	Operating hours of super-structure since last inspection	Operating hours of winch	Operating hours of winch since last inspection T_i	Used part of theoretical service life D_i : $\frac{Km_i}{K} \times T_i$	Remaining theoretical service life $D_i = D_{i-1} - S_i$	Name of inspector	Signature	Remarks	Name of expert	Signature
i			Km_i	[h]	[h]	[h]	[h]	[h]	[h]	[h]					
(*)															

CAUTION: Perform general overhaul at least once every 10 years! In case of deviation, see guidelines in this chapter.

General overhaul last performed on :

Fig.121552-en: Chart 2

Fig.195219

LWE/LR 11350-005/19004-04-02/en

1 Importance of inspection

Rope removal criteria: If severe damage reduces the operational safety, then the rope can reach the removal criteria.

The importance of regular inspections is demonstrated by:

- Evaluation of operational safety of ropes
- Determination of rope removal criteria
- Determination of next inspection

2 Personal protective equipment



WARNING

Wires and lubricant!

Severe injury and skin irritation.

- ▶ When working with ropes, always wear work gloves.



WARNING

Protective equipment **not** worn!

Severe injuries.

- ▶ Wear hard hat, safety shoes and safety glasses.

3 Qualification Inspection personnel

Make sure that the following prerequisites are met:

- Inspection personnel are **expert personnel for crane rope inspection**.
- **Expert personnel for crane rope inspection:**
 - Are trained in the inspection of crane ropes according to **DIN ISO 4309** and have practical experience in the evaluation of rope removal criteria.
 - Have practical experience in the evaluation of rope removal criteria according to **DIN ISO 4309**.
- The inspection personnel is assigned (authorized) for the maintenance by the crane operator.

4 Unscheduled inspection

In the following situations the rope must be inspected:

- after unusual strain
- if non-visible damage is suspected
- when a rope or the end connection is damaged
- when the rope has been placed again after removal
- when the rope has been out of service for longer than three months

5 Intervals

Intervals for crane inspection:

- according to determination by **expert personnel for crane rope inspection**
- or **at least once a year**

**Note**

- Shortening the inspection interval: The older a rope is the more frequently will wire breaks occur.

Determining factors for determination of inspection intervals are:

- Legal regulations in the country where the crane is operated
- Climate conditions under which the rope drive is utilized
- Power train group
- Results of previous inspections on current or comparable machine and under comparable operating conditions
- Frequency and type of use of a rope
- Service life of rope

6 Areas

**WARNING**

Broken wires and distortions on ropes in cross over areas!

Rope performance can decrease significantly. Rope rupture. Death, severe injuries, property damage.

- Inspection rope cross over areas especially diligently.

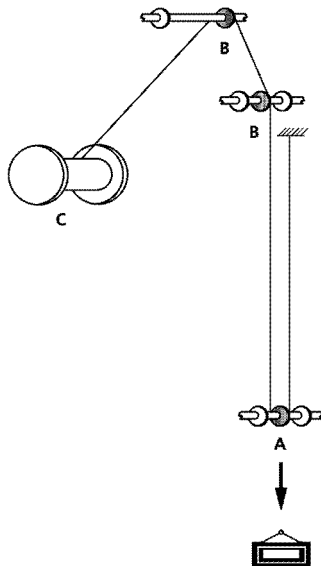


Fig. 120969: Important inspection areas for multi layer spooled up ropes

- | | |
|--|---|
| <p>A Rope sections, which run in the area of the load rise into the lower rope pulleys (the load is raised here).</p> <p>B Rope intake on the first rope pulley in the area of the load rise</p> | <p>C Rope sections, which are subjected in the cross over areas to the strongest effects (maximum deflection angle).</p> |
|--|---|

The following areas must be checked with special diligence:

- Rope end connections
- Safety coils and fixed point on the winch
- Areas of the rope which run through the hook block
- Areas of the rope which run over the rope pulleys or laying on the rope pulleys
- Areas of the rope which are spooled on the winch, especially cross over areas
- Areas of the rope which are laying above the compensation pulleys
- Areas of the rope which are subjected to abrasion due to external components
- All areas of the rope which are subjected to temperatures above 60 °C

7 Documentation of inspection results



Note

- ▶ Document the results of the inspections in an inspection checklist.
- ▶ Form for an inspection checklist, see section „Current checklist“.

8 Wire ropes and rope end connections



DANGER

Danger of accident!

- ▶ Correct choice and use of the wire rope and the rope end connections are a decisive precondition for proper and accident-free crane operation.

The wire ropes and rope end connections are selected according to their application. It must be determined if a rotation-resistant or non-rotation resistant rope is required for the application. The type of rope that is selected then determines the corresponding rope end connections.

8.1 Rotation-resistant ropes and their rope end connections

Rotation-resistant ropes are special ropes that produce extremely little torque and twisting at the rope end connection when they are under strain.



Note

- ▶ Use rotation-resistant ropes as **hoist ropes**.

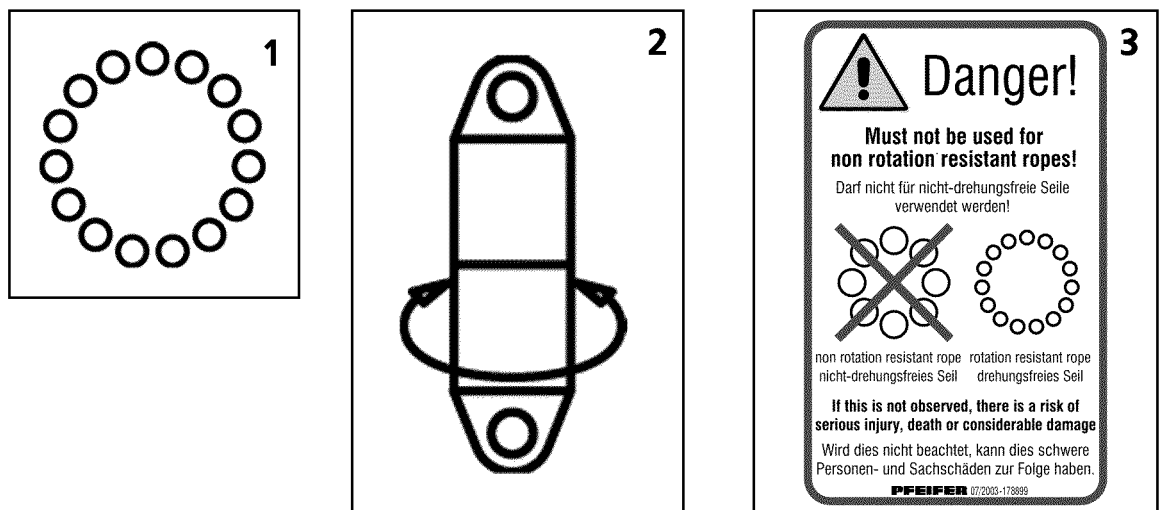


Fig. 195653

Typical rotation-resistant wire rope structures are ropes with 15 to 18 outer strands. Rotation-resistant ropes are symbolically depicted with 15 outer strands (circles) (see table 1).

Rotation-resistant ropes can be optionally used with the following rope end connections:

- **Rotating** rope end connection in the form of a PFEIFER pouch socket **with** swivel or twist compensator / swivel.
- **Non-rotation resistant** rope end connection in the form of a PFEIFER pouch socket **without** swivel or gib and cotter.

On non-rotation resistant ropes, on a one to one basis and after consultation with Liebherr Service, a rotating rope end connection can be utilized to reduce problematic turning behavior of the hoist rope (see table 2).

**DANGER**

Danger of severe injuries to personnel and property damage!

- ▶ **Never** use rotating rope end connections with non-rotation resistant ropes.

**Note**

Application warning notes

- ▶ The application warning note on the rotating PFEIFER pouch socket with swivel indicates that this rope end connection is impermissible for non-rotation resistant ropes (see table 3).

8.2 Non-rotation resistant ropes and their rope end connections

Non-rotation resistant ropes generate high torque levels on the rope end connection under strain. For this reason, the rope ends must be protected from twisting using an appropriate rope end connection to prevent the rope from unscrewing under strain.

**Note**

- ▶ Use non-rotation resistant ropes as **guy ropes** or **control ropes**, **auxiliary ropes** or **assembly ropes**.

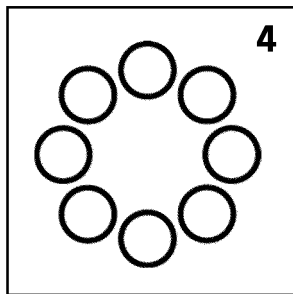


Fig.195654

Typical non-rotation resistant wire rope structures are ropes with 8 or ten outer strands. Non-rotation resistant ropes are symbolically depicted with 8 outer strands (circles) (see table 4).

Non-rotation resistant ropes can only be used with the following rope end connections:

- **Non-rotation resistant** rope end connection in the form of a PFEIFER pouch socket **without** swivel or gib and cotter.
A non-rotation resistant rope end connection is also the mounting of the rope on the fixed point of the winch drum.

**DANGER**

Danger of severe injuries to personnel and property damage!

- ▶ **Never** use rotating rope end connections with non-rotation resistant ropes.
- ▶ **Never** install a twist compensator / swivel.

**Note**

Usage warning:

- ▶ The application warning note on PFEIFER pouch sockets without swivel and cotter indicates that this rope end connection is impermissible for non-rotation resistant ropes **in combination** with a twist compensator / swivel (see table 5).

9 Degree of severity

The deciding factor for the removal criteria is which removal criteria are present and to which degree they occur.

When various removal criteria are **not** present to a full degree, then the removal criteria must be evaluated as a total entity. For every individual removal criteria a degree of severity must be determined (percentage value).

For a certain rope section the sum of individual degrees of severity results in a **combined degree of severity**, see section „Combined degree of severity“.

When the combined degree of severity is more than 100 %, then the rope must be taken down.

10 Abbreviations Rope diameter

Abbreviations	Description
Rope nominal diameter d	Rope diameter, identification of rope
Reference diameter d_{ref}	Measured rope diameter of a straight rope section, directly after placing the rope
6d	Length of 6-fold rope nominal diameter
30d	Length of 30-fold rope nominal diameter

Abbreviations Rope diameter

11 Distortions and mechanical damage



WARNING

Distortions and mechanical damage!

Operational safety significantly disturbed, uneven load distribution within the rope.

► Have the manufacturer check if the distorted and damaged area can be severed.

Visible form changes often occur localized or in short rope sections.

When a safe operation of the rope is ensured, a distorted and damaged area can be severed.

12 Removal criteria Overview

The following chart provides an overview between removal criteria and the respective method for inspection. The degree is described, when the removal criteria is reached.

The removal criteria is described in detail in the subsequent sections.

Removal criteria	Degree for removal criteria	Inspection method
Broken strands	One strand is broken	Visual check
Broken wires on ropes, which run over rope pulleys and are spooled in multiple layers	Maximum number of broken wires reached, see Section Determining the number of broken wires	Count
Broken wires in the strand valleys	Two or more broken wires in strand valleys, on the contact points of two neighboring strands within an angular length (corresponds approx. to 6d)	Count
Broken wire nests	On occurrence	Visual check
Reduction rope diameter at even diameter reduction	Maximum reduction of rope diameter reached	Measurement, calculation
Localized increase of rope diameter	Maximum increase of rope diameter reached	Measurement
Significant corrosion	Surface of rope is significantly affected or rust film emerges, according to decision of expert personnel for crane rope inspection	Visual check
Corkscrew-like distortion	Maximum permissible distortion reached	Measurement, calculation
Basket formation	On occurrence	Visual check
Wires or bunches of wires protruding from the rope	On occurrence, if more than one wire protrudes from the rope	Visual check
Flattenings	Larger than half of the diameter of the outer strand, according to decision of expert personnel for crane rope inspection	Visual check
Loop formation	Loops on several wires	Visual check
Kinking or remaining distortion	On occurrence	Visual check
Buckles or contusions	On occurrence, according to decision of expert personnel for crane rope inspection	Visual check
Heat influence, electric voltage	Bluish discoloration, broken or melted wires	Visual check
Combined degree of severity	Degree of severity 100 % or above, according to decision of expert personnel for crane rope inspection	Calculation of individual degrees of severity

Removal criteria Overview

13 Checking for broken strands

A strand consists of several individual wires.

If a complete strand is broken:

- Take the rope down.

14 Determining the number of broken wires

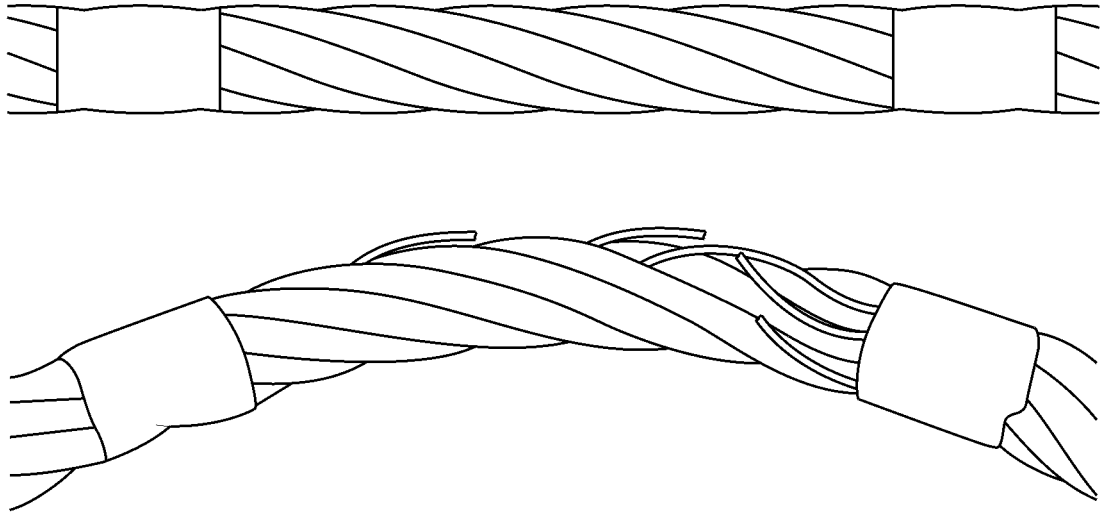


Fig.120980: Determine broken wires by bending

By bending the rope, broken wires can be recognized better.

Make sure that the following prerequisites are met:

- The rope is clean.
- Inspection checklist is on hand.

14.1 Scattered occurring broken wires

The following different rope types each have their own chart for the permissible number of broken wires:

- Single layer and parallel roped ropes
- Rotation resistant ropes

The charts in this section are valid exclusively for **scattered occurring broken wires**.

14.1.1 Wire break increase rate

The wire break increase rate is an increase of broken wires, which can skyrocket with increasing use of the rope.

- ▶ Include the inspection checklists for the previous inspection and use it to draw a conclusion for the wire break rate increase.

14.1.2 Single layer and parallel roped ropes

Rope category number RCN	Total number of load carrying wires in the outer strand layer of rope ¹ n	Number of visible outer wire breaks ²					
		Rope sections, which run over steel pulleys and / or spool up on a single layer spooling drum (coincidental distribution of broken wires)				Rope sections, which spool up on a multi layer drum Spool up ³	
		Class M1 to M4, or class unknown ⁴				All classes	
		Lang lay		Even lay		Lang lay and even lay	
		Over a length of 6d ⁵	Over a length of 30d ⁵	Over a length of 6d ⁵	Over a length of 30d ⁵	Over a length of 6d ⁵	Over a length of 30d ⁵
01	$n \leq 50$	2	4	1	2	4	8
02	$51 \leq n \leq 75$	3	6	2	3	6	12
03	$76 \leq n \leq 100$	4	8	2	4	8	12
04	$101 \leq n \leq 120$	5	10	2	5	10	20
05	$121 \leq n \leq 140$	6	11	3	6	12	22
06	$141 \leq n \leq 160$	6	13	3	6	12	26
07	$161 \leq n \leq 180$	7	14	4	7	14	28
08	$181 \leq n \leq 200$	8	16	4	8	16	32
09	$201 \leq n \leq 220$	9	18	4	9	18	36
10	$221 \leq n \leq 240$	10	19	5	10	20	38
11	$241 \leq n \leq 260$	10	21	5	10	20	42
12	$261 \leq n \leq 280$	11	22	6	11	22	44
13	$281 \leq n \leq 300$	12	24	6	12	24	48
	$n > 300$	$0.04 \times n$	$0.08 \times n$	$0.02 \times n$	$0.04 \times n$	$0.08 \times n$	$0.16 \times n$

Note: Ropes with outer strands in Seale type, number of wires per strand 19 or less (for example 6 × 19 Seale), are classified in this chart as two lines over the line, which would be defined due to the number of load carrying wires in the outer strands.

Maximum number of broken wires for **single layer** and **parallel** roped ropes according to **DIN ISO 4309**

- 1) For the purpose of this international standard, fill wires are not considered to be load carrying wires and are not included in the value for n.
- 2) A broken wire has two ends (counted as one wire).
- 3) The values apply for damage in the cross over areas and the layers of coils due to deflection angles (not for rope sections, which run only over rope pulleys and do not spool up on the winch).
- 4) For ropes on drive gears of groups M5 to M8 twice the number of broken wires listed can be used.
- 5) d = Rope nominal diameter

- ▶ Check the rope over the entire length for visible broken wires.

When visible broken wires are scattered present:

- ▶ On the point of a broken wire, mark the rope sections on a length of 30d in both directions.
- ▶ Count visible broken wires in the marked rope sections and record them.
- ▶ Take the RCN (Rope category number) from the manufacturer's documentation of the rope.

When the make for rotation-resistant ropes is **not** listed in the chart:

- ▶ Determine the total number of load carrying wires in the rope: Add all wires in the strands of the outer layer, do **not** count fill wires.

- ▶ Compare the number of broken wires of each marked rope section 30d with the number of broken wires in the chart.

When the number of visible broken wires is smaller than listed in the chart:

- ▶ Within the rope section with the most broken wires: Mark the rope section with the most broken wires on a length of 6d.
- ▶ Count visible broken wires in the marked rope sections 6d and record them.
- ▶ Compare the number of broken wires of the marked rope section with the number of broken wires in the chart.

When the number of visible broken wires is larger than listed in the chart:

- ▶ Take the rope down.
- ▶ Enter the results in the inspection checklist.

14.1.3 Rotation resistant ropes

Rope category number RCN	Total number of load carrying wires in the outer strands of rope ¹ n	Number of visible outer wire breaks ²			
		Rope sections, which run over steel pulleys and / or spool up on a single layer spooling drum (coincidental distribution of broken wires)		Rope sections, which spool up on a multi layer drum Spool up ³	
		Over a length of 6d ⁴	Over a length of 30d ⁴	Over a length of 6d ⁴	Over a length of 30d ⁴
21	4 strands $n \leq 100$	2	4	2	4
22	3 or 4 strands $n \geq 100$	2	4	4	8
	At least 11 strands in the outer layer				
23-1	$71 \leq n \leq 100$	2	4	4	8
23-2	$101 \leq n \leq 120$	3	5	5	10
23-3	$121 \leq n \leq 140$	3	5	6	11
24	$141 \leq n \leq 160$	3	6	6	13
25	$161 \leq n \leq 180$	4	7	7	14
26	$181 \leq n \leq 200$	4	8	8	16
27	$201 \leq n \leq 220$	4	9	9	18
28	$221 \leq n \leq 240$	5	10	10	19
29	$241 \leq n \leq 260$	5	10	10	21
30	$261 \leq n \leq 280$	6	11	11	22
31	$281 \leq n \leq 300$	6	12	12	24
	$n > 300$	6	12	12	24

Note: Ropes with outer strands in Seale type, number of wires in each strand 19 or less (for example 18 × 19 Seale - WSC), are classified in this chart as two lines over the line, which would be defined due to the number of load carrying wires in the outer strands.

Maximum number of broken wires for **rotation-resistant** ropes according to **DIN ISO 4309**

- 1) For the purpose of this international standard, fill wires are not considered to be load carrying wires and are not included in the value for n.
- 2) A broken wire has two ends (counted as one wire).

3) The values apply for damage in the cross over areas and the layers of coils due to deflection angles (not for rope sections, which run only over rope pulleys and do not spool up on the drum).

4) d = Rope nominal diameter

- ▶ Check the rope over the entire length for visible broken wires.

When visible broken wires are scattered present:

- ▶ On the point of a broken wire, mark the rope sections on a length of $30d$ in both directions.
- ▶ Count visible broken wires in the marked rope sections and record them.
- ▶ Take the RCN (Rope category number) from the manufacturer's documentation of the rope.

When the make for rotation-resistant ropes is **not** listed in the chart:

- ▶ Determine the total number of load carrying wires in the rope: Add all wires in the strands of the outer layer, do **not** count fill wires.
- ▶ Compare the number of broken wires of each marked rope section $30d$ with the number of broken wires in the chart.

When the number of visible broken wires is smaller than listed in the chart:

- ▶ Within the rope section with the most broken wires: Mark the rope section with the most broken wires on a length of $6d$.
- ▶ Count visible broken wires in the marked rope sections $6d$ and record them.
- ▶ Compare the number of broken wires of the marked rope section with the number of broken wires in the chart.

When the number of visible broken wires is larger than listed in the chart:

- ▶ Take the rope down.
- ▶ Enter the results in the inspection checklist.

14.2 Broken wires in the strand valleys

The broken wires in these areas point to the fact that the condition in the inside of the rope is deteriorating.

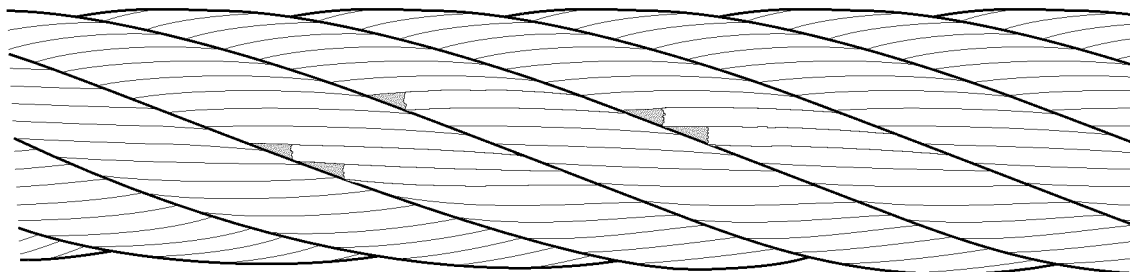


Fig.121005: Broken wires in the strand valleys

When two or more broken wires occur within a $6d$ long rope section:

- ▶ Take the rope down.

14.3 Broken wires on rope end connections

When broken wires are near an end connection and two or more wires are affected:

- ▶ Take the rope down.

14.4 Broken wires in rope sections, which are not spooled up on the winch

When the broken wires are concentrated on one or two strands, the removal criteria can be present at fewer broken wires as noted in the chart (rope section in length of $6d$).

- ▶ Have the rope removal criteria determined by **expert personnel for crane rope inspection**.

14.5 Broken wire nests

When broken wires are very close to each other or when the broken wires are concentrated on one strand, then the rope must be taken down, even at fewer broken wires than noted in the chart (rope section 6d).

- ▶ Have the rope removal criteria determined by **expert personnel for crane rope inspection**.

15 Checking of rope diameter

15.1 Even reduction of rope diameter



WARNING

Spooling problems due to reduced rope diameter!

- ▶ Take the rope down even when the removal criteria according to **DIN ISO 4309** has not yet been reached.

The values in this section do **not** apply for rope sections, which were damaged in cross over areas due to multi layer spooling on a winch.

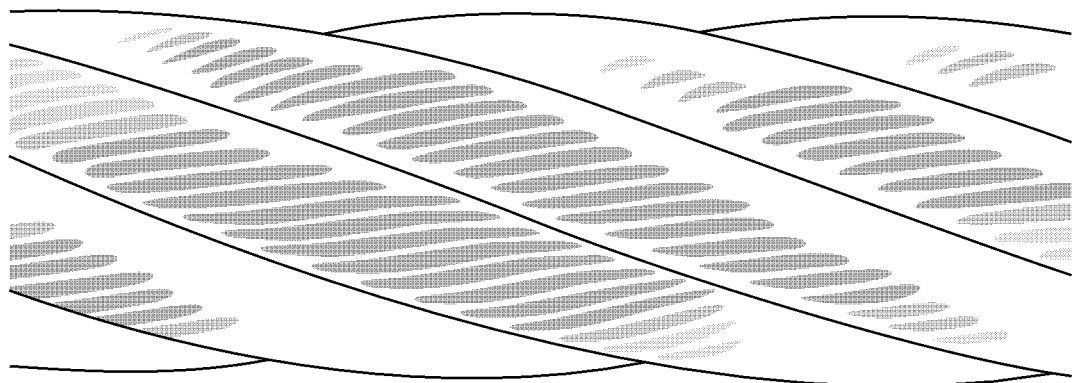


Fig. 121001: External abrasion on the rope

The rope diameter changes due to abrasion, settling and external influences.

Abrasion of cover wires of outer strands of rope due to frictional contact. Especially in those areas where ropes are in contact with the rope pulleys during start up or slow down of the load.

Wear is increased by lack of or incorrect lubrication and the effect of dust.

Abrasion reduces the tensile strength of steel ropes because the cross section of the steel is reduced.

Additional possible causes for reduction of rope diameter:

- Wear in the inside of the rope
- Wear of fiber insert
- Breakage of a steel insert
- Broken inner strands

This section is valid solely for the following ropes:

- Ropes, which spool up on single layer winches
- Ropes, which run through a steel rope pulley

$$d_v = \frac{d_{ref} - d_m}{d} \times 100 \%$$

Fig.121372: Formula Reduction of rope diameter

d_v = even reduction of rope diameter
 d_{ref} = rope diameter, which was determined before placement

d_m = measured rope diameter
 d = rope nominal diameter: Take value from inspection checklist

The following chart applies exclusively for ropes, which spool up on single layer winches and / or run through a steel rope pulley.

Rope type	Even reduction of diameter d_v (in percentages of rope nominal diameter d)	Classification of degree of severity	
		Description	%
Single layer rope with fiber insert	Less than 6 %	—	0
	6 % and above, but less than 7 %	Light	20
	7 % and above, but less than 8 %	Medium	40
	8 % and above, but less than 9 %	High	60
	9 % and above, but less than 10 %	Very high	80
	10 % and above	Rope removal criteria	100
Single layer rope with steel insert or parallel roped rope	Less than 3.5 %	—	0
	3.5 % and above, but less than 4.5 %	Light	20
	4.5 % and above, but less than 5.5 %	Medium	40
	5.5 % and above, but less than 6.5 %	High	60
	6.5 % and above, but less than 7.5 %	Very high	80
	7.5 % and above	Rope removal criteria	100
Rotation-resistant rope	Less than 1 %	—	0
	1 % and above, but less than 2 %	Light	20
	2 % and above, but less than 3 %	Medium	40
	3 % and above, but less than 4 %	High	60
	4 % and above, but less than 5 %	Very high	80
	5 % and above	Rope removal criteria	100

Degree of severity and removal criteria depending on rope type and even diameter reduction according to DIN ISO 4309

The medium value from the smallest and the largest measured diameter results in the value for d_m .

- ▶ Measure rope diameter on several locations and calculate measured diameter d_m .
- ▶ Calculate even reduction d_v of rope diameter with formula.
- ▶ Read the degree of severity in the chart, depending on the rope type.
- ▶ Document the degree of severity in the inspection checklist.

When the degree of severity has reached 100 %:

- ▶ Take the rope down.

15.2 Localized reduction of rope diameter

Localized reductions of rope diameter point to the fact that a rope insert may have failed, for example.



Fig. 120983: Localized reduction of rope diameter

- ▶ Check the rope for localized reduction of rope diameter.

When a localized reduction of the rope diameter is found:

- ▶ Take the rope down.

15.3 Localized increases of rope diameter

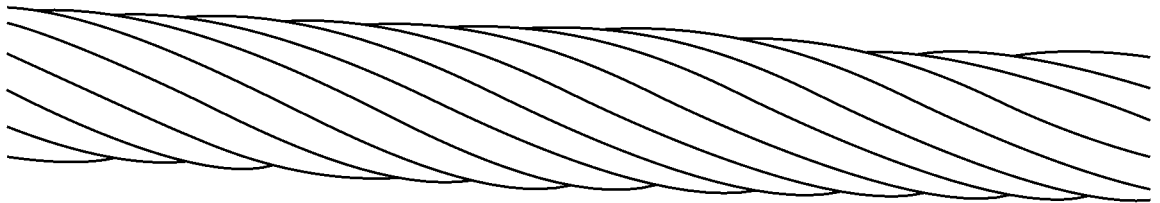


Fig. 120992: Localized increase of rope diameter

An increase over a longer area of the rope can be caused by absorption of moisture in the fiber insert or due to corrosion in the inside of the rope.

Rope insert	Maximum increase of rope diameter during operation
Steel	5 %
Fiber	10 %

- ▶ Check the rope for localized increases of rope diameter.

When the increases exceed the maximum values:

- ▶ Take the rope down.

16 Checking for corrosion

Corrosion occurs due to insufficient lubrication, in maritime climates and in an atmosphere polluted by industrial fumes.

External corrosion is indicated by a rough wire surface. A superficial rust film can be wiped off.

Significant corrosion reduces the strength and elasticity of the rope due to the reduction of the rope diameter.

Inner corrosion is hard to detect.

Do **not** use solvents to clean the rope.

Make sure that the following prerequisite is met:

- Rope is cleaned (wiped and brushed).

16.1 External corrosion

The various types of corrosion are classified and noted with the classification for removal criteria in percentages:

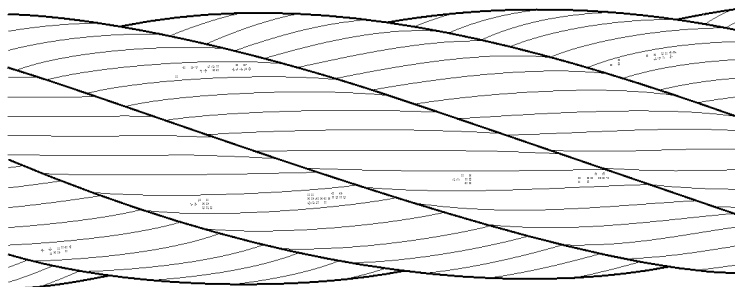


Fig.120984: Surface light corrosion: Classification 0 % of removal criteria

Superficial light corrosion (rust film) can be wiped off.

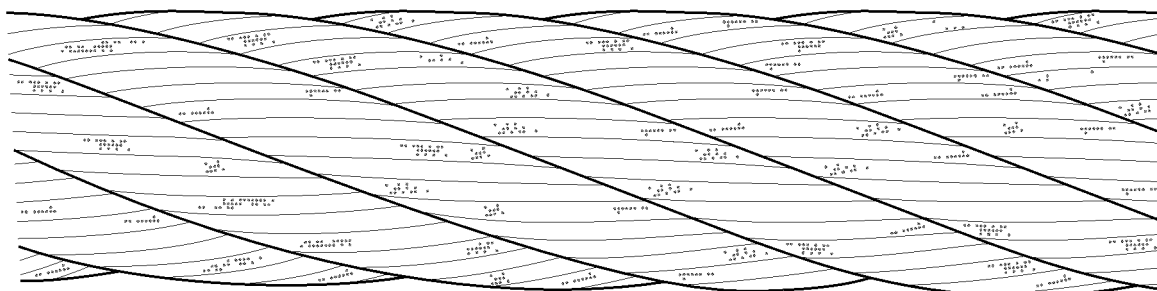


Fig.120985: Surface feels rough: Classification 20 % of removal criteria

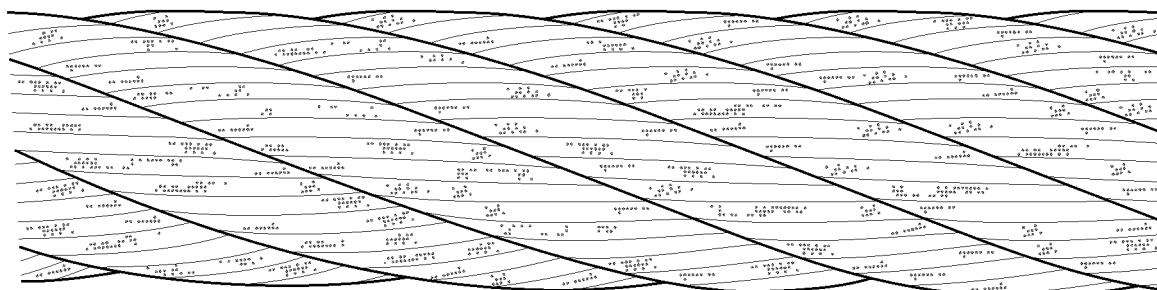


Fig.120986: Surface feels very rough: Classification 60 % of removal criteria

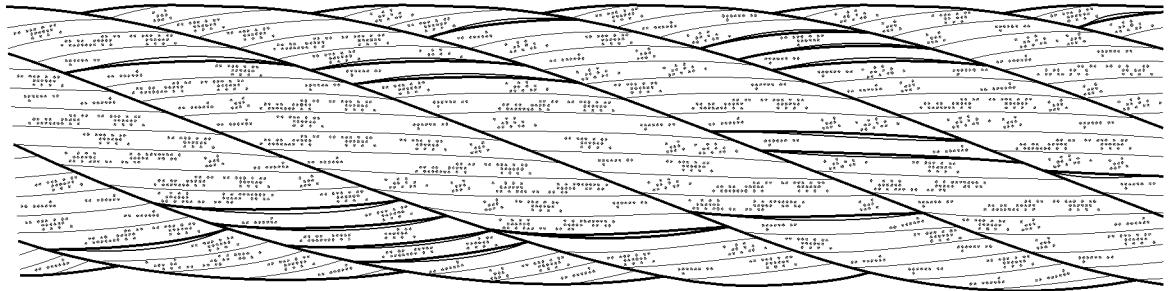


Fig.120987: Surface very decayed, spaces between individual wires can be easily recognized: Classification 100 % of removal criteria

When 100 % of removal criteria is reached:

- ▶ Take the rope down.

16.2 Internal corrosion

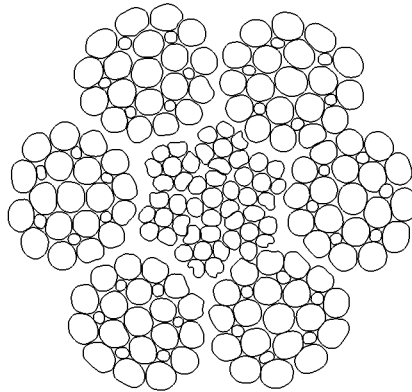


Fig.120982: Corrosion in the inside of the rope

Internal corrosion is present when clearly visible corrosion particles migrate between the valleys of the outer strands: Classification 100 % removal criteria.

When internal corrosion is found:

- ▶ Have the rope removal criteria evaluated by **expert personnel for crane rope inspection** or place the rope down.

16.3 Friction corrosion

Friction corrosion occurs as a type of brown powder, which migrates from the inside of the rope to the outside: Classification 100 % of removal criteria.

- ▶ Check the rope diligently for friction corrosion.

If friction corrosion is found:

- ▶ Have the rope removal criteria evaluated by **expert personnel for crane rope inspection** or place the rope down.

17 Corkscrew-like distortion



Fig.120988: Corkscrew-like distortion

Distortion where the rope is in the form of a corkscrew along its longitudinal axis.

Effects of corkscrew-like distortion:

- Irregular rope drive
- Rope wear
- Broken wire
- Bearing damage on rope pulleys

If the distortion is very pronounced, then other components can be affected in their function when the affected rope section runs through in crane operation.

- ▶ Check the entire rope for corkscrew-like distortion.

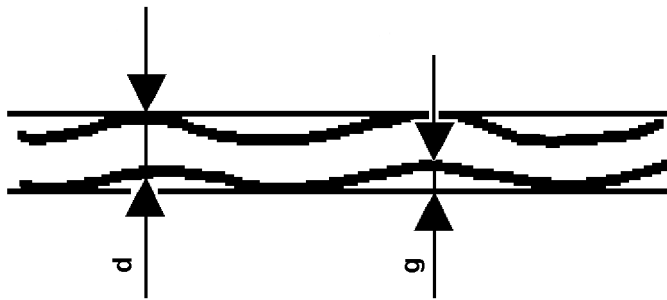


Fig.123988: Example for corkscrew-type distortion

d Rope nominal diameter

g Distance

Rope section	Conditions for removal criteria, formula
Straight rope section, which does not run through or around a rope pulley or spools up on a winch	$g \geq \frac{1}{3} \times d$
Straight rope section, which runs through or around a rope pulley or spools up on a winch	$g \geq \frac{1}{10} \times d$

When corkscrew-like distortion is present:

- ▶ Determine the rope nominal diameter **d** and distance **g** on the rope.
- ▶ Check the removal criteria with the formula.

When the removal criteria is reached:

- ▶ Take the rope down.

18 Basket formation

This distortion occurs due to different layers between the outer strand layers and the inside of the rope.

Causes for basket formation are high angular pull angles during the run over the rope pulleys and run-in rope pulleys. Even load distribution over the entire cross section is not possible.

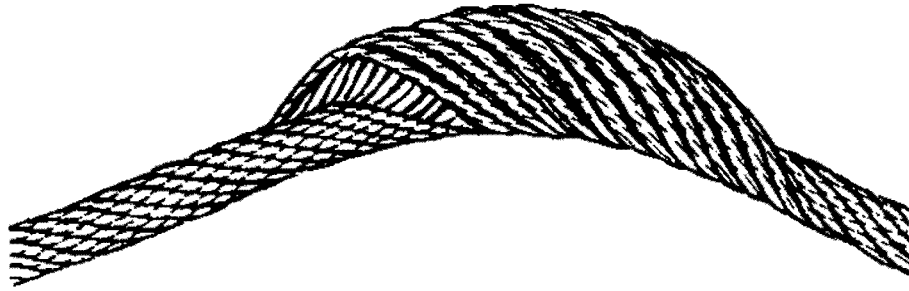


Fig.120989: Basket formation

► Check the entire rope for basket formation.

When basket formation is present:

► Take the rope down.

19 Protruding, distorted insert or strand

This distortion is a special form of basket formation. The insert or the core of the rope protrudes between the outer strands or an outer strand protrudes from the rope banding.



Fig.120990: Protrusion of an insert (rope single layer)



Fig.120991: Distorted or protruding strand

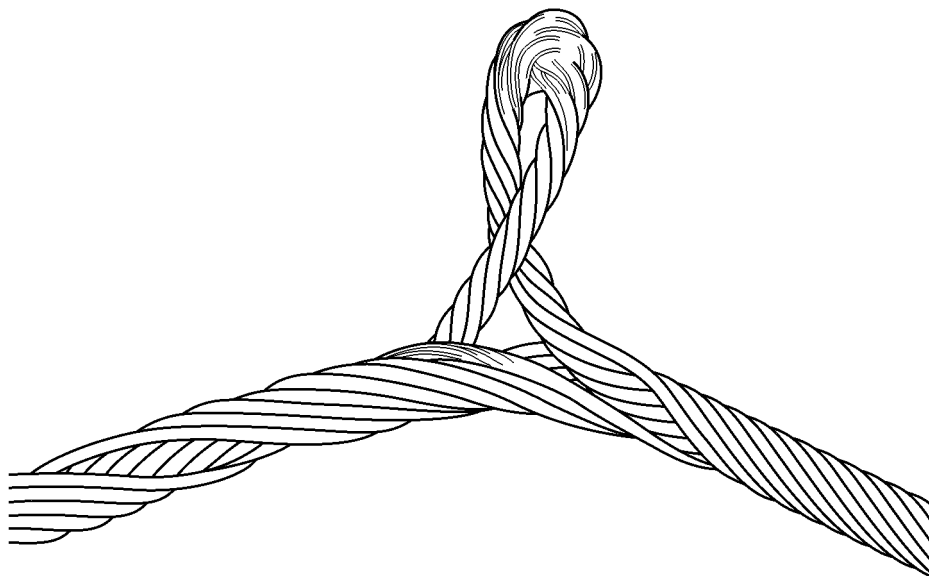


Fig.121373: Protrusion of rope insert on rotation-resistant rope

When the insert or a strand protrudes or is distorted, place the rope down. Have authorized inspector for crane rope inspection check if the rope area with the distortion can be removed.

- ▶ Check the entire rope for protruding, distorted insert or strand.

When protruding, distorted insert or braid is present:

- ▶ Take the rope down.
- ▶ Have **expert personnel for crane rope inspection** check if the rope area with the distortion can be removed.

20 Loop formation

At loop formation individual or several wires protrude from the rope and bulge upward (bird-caging).

These areas are most often on the opposite side of the rope pulley groove.

Make sure that the following prerequisite is met:

- There are **no** broken wire ends present.

If only a core wire of the rope insert protrudes through the outer strands, then the rope does not have to be taken down when:

- The wire can be removed.
- The wire does not disturb other elements of the rope drive.

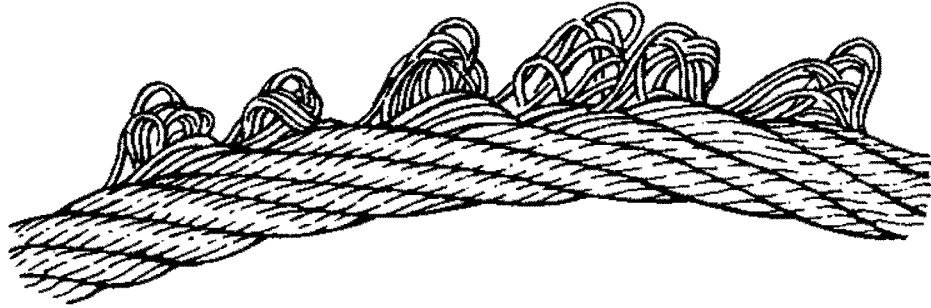


Fig.120993: Emergence of individual wires

▶ Check rope for loop formation.

When solely a core wire protrudes:

▶ Remove the core wire.

When several wires are affected from the loop formation:

▶ Take the rope down.

21 Kinking or rope loops pulled closed

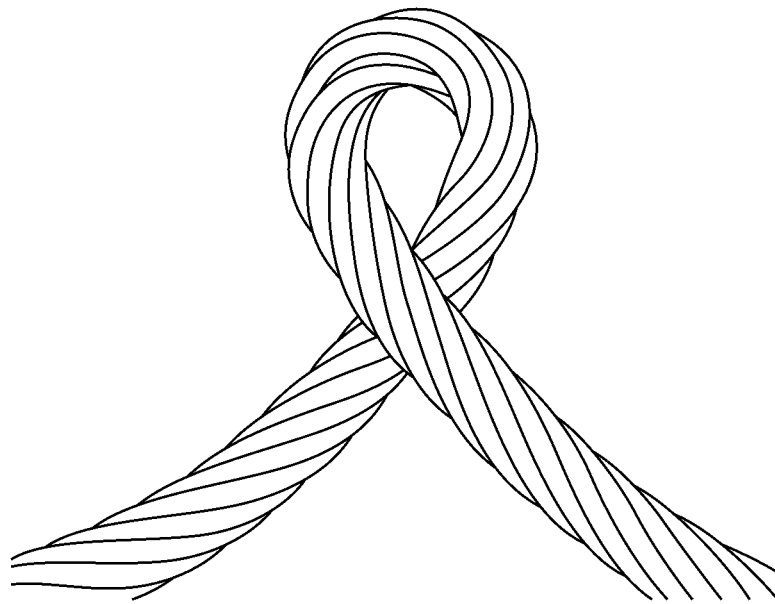


Fig.121007: Kinking or rope loop pulled closed

At this deformation a loop has formed in the rope, without the possibility to rotate around its own axis during a load. The rope is subjected to more wear.

The rope is significantly distorted. The strength remains only in part.

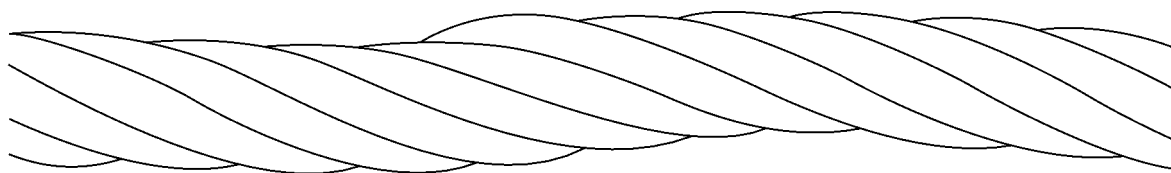


Fig.121002: Positive Kinking

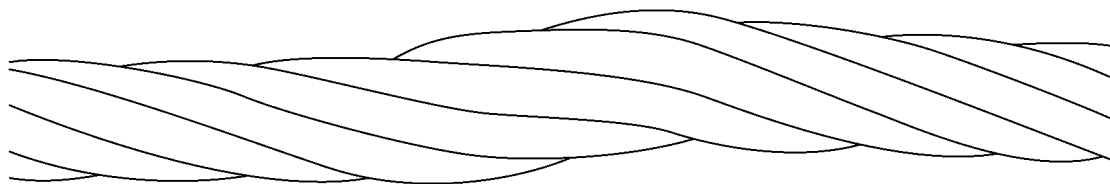


Fig.121003: Negative Kinking

- ▶ Check the rope for kinking or rope loops pulled closed.

When kinking or rope loops pulled closed occur:

- ▶ Take the rope down.

22 Buckles

Buckles are angular deformations. The rope was damaged due to external influences. Strong deformations of the rope cause stronger wear.

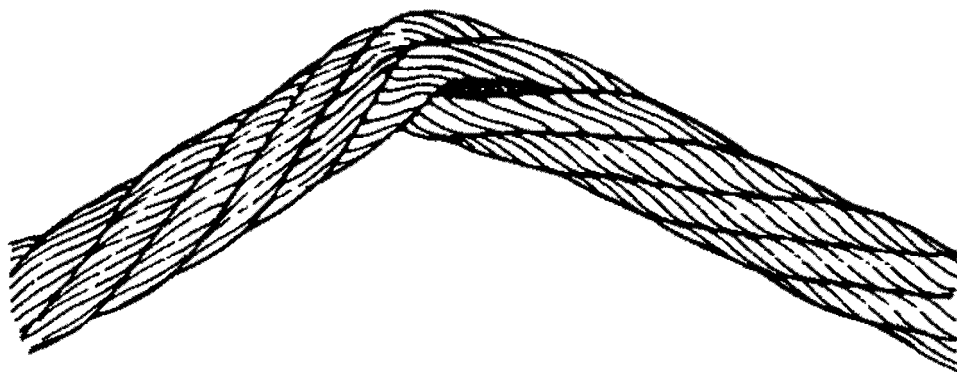


Fig.120999: Severe buckle

A buckle is a serious matter if a fold is visible on the underside of the rope.

When buckles are present:

- ▶ Have the rope inspected by **expert personnel for crane rope inspection**.

When a distortion and degree of severity permits further operation:

- ▶ Shorten the inspection interval.

When the removal criteria is reached:

- ▶ Take the rope down.

23 Effects of heat, arcs

Damage caused to the rope by welding work, for example.

Exceptional thermal effect is visible through tempering colors, the loss of lubricant and by localized melting of wires.

When thermal effect has occurred on the rope:

- ▶ Take the rope down.

24 Combined degree of severity



Note

- ▶ For a method to determine the effect of a combined degree of severity and damage on the rope, see **DIN ISO 4309**.

When the condition of the rope deteriorates, then often a combination of various causes occurs.

To determine the degree of severity, the **expert personnel for crane rope inspection** must:

- take different damage within a rope section into account
- evaluate the entire effect of the damage and the distortions
- decide about the operational safety of the rope
- evaluate if inspection intervals must be adjusted
- decide if the rope must be taken down

When the combined degree of severity is more than 100 %, then the rope must be taken down.

25 Flattenings

Effects of flattenings on the rope:

- Rope sections with flattenings, which move **over the rope pulleys** tend to higher wear and a higher number of broken wires.
- Rope pulleys can be damaged.
- Flattenings on **stationary ropes** (guy ropes boom) promote quicker corrosion, especially in the areas where the outer strands have opened.

Flattened rope sections must be checked in shorter intervals for broken wires and corrosion.

25.1 Shorting the intervals

- ▶ Check the entire rope for flattenings.

When flattenings are present on stationary ropes:

- ▶ Shorten the intervals for rope inspection.

When it is **not** possible to shorten the intervals for the rope inspection:

- ▶ Take the rope down.

25.2 Improper mechanical damage

An improper mechanical damage occurs, for example, when the rope is pinched.

- ▶ Take the rope down immediately or shorten it, see Crane operating instructions, chapter 7.05.50.

25.3 Operational transverse pressure

Operational transverse pressure causes flattenings, for example in the incline range of multi layer spooling.

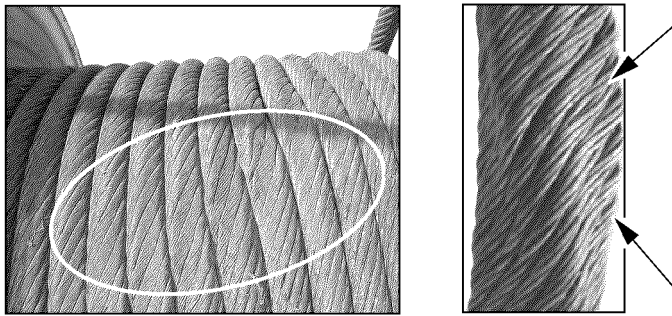


Fig.114002: Flattenings, for example on control ropes

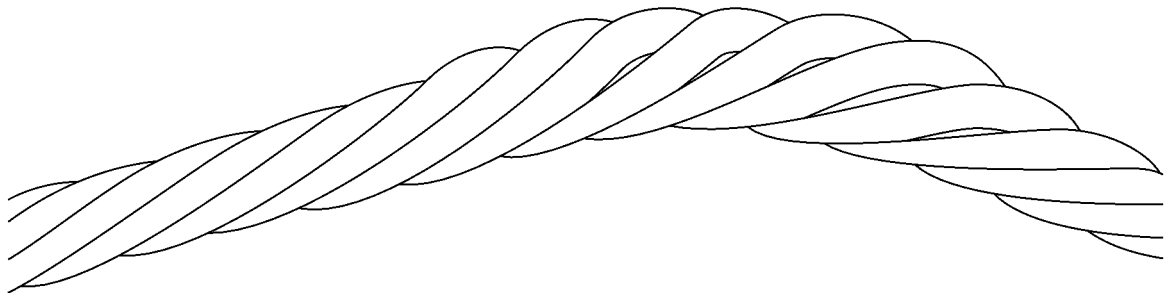


Fig.120996: Flattenings on multi layer spoolings

- ▶ Check the first rope layer of the winches for crushed areas and distortions.

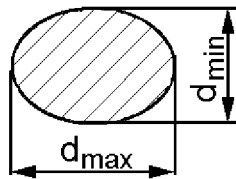


Fig.121006: Largest and smallest diameter on the distortion area

$$V = \frac{d_{\max} - d_{\min}}{d} \times 100 \%$$

Fig.121374: Formula to calculate the distortion

V Rope distortion in percentages

d_{ma} Largest diameter of distortion area

x

d Control rope nominal diameter

d_{mi} Smallest diameter of distortion area

n

When distortions are present:

- ▶ Determine the number of broken wires See section „Determining the number of broken wires“.

When the number of permissible broken wires is exceeded:

- ▶ Take the rope down.
- ▶ Calculate the distortion V with the formula and document it in the inspection checklist.

When distortion V is larger than 5 %:

- ▶ Check the rope before every assembly and erection procedure.

When distortion V is larger than 10 %:

- ▶ Document the degree of severity of 50 % in the inspection checklist.

When distortion V is larger than 20 %:

- ▶ The degree of severity of 100 % is reached: Take the control rope down.

Empty page!

LWE/LR 11350-005/19004-04-02/en

Fig.195219

LWE/LR 11350-005/19004-04-02/en

1 Safety guidelines



DANGER

Death, severe injury, property damage due to welding on load hooks!

- ▶ Do **not** weld load hooks to repair wear.
- ▶ Replace the load hook in case of impermissible wear.
- ▶ Contact Liebherr Service.

Make sure that the following regulation is followed:

- Do **not** carry out any welding work on load hooks, for example to repair wear.

2 Inspection intervals

By recognizing defects in time, accidents are prevented.

An inspection must be made before operation.

Load hooks must be inspected as needed, but at least once a year by an expert.

The load hook must be inspected every 4 years by an expert.

3 Inspecting and monitoring the load hook

Any defects found must be remedied and documented.

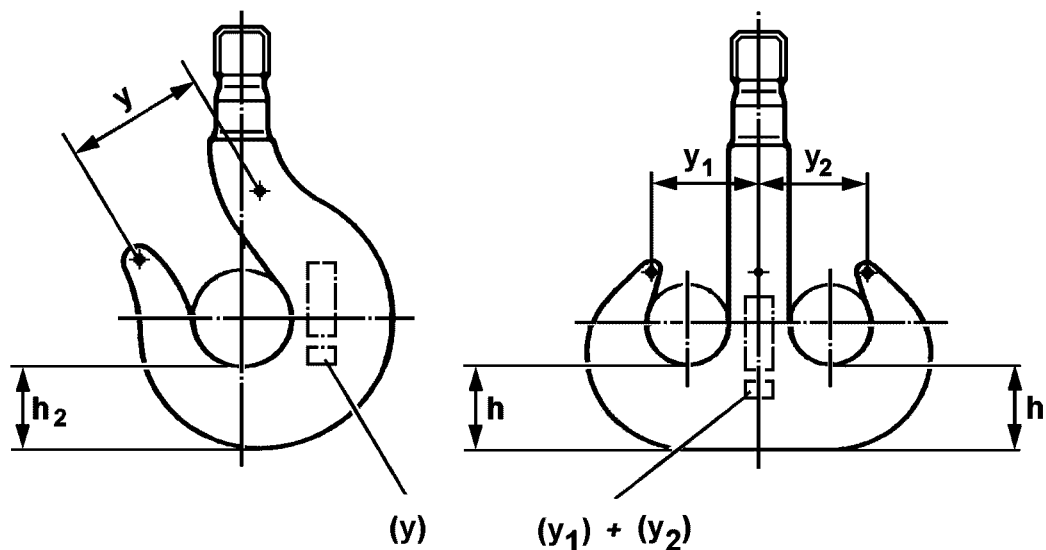


Fig.121531: Description of measured distances of load hooks

3.1 Checking the load hook for distortion



DANGER

Death, severe injury, property damage due to expansion of hook jaw!

- ▶ Replace the load hook in case of impermissible expansion.
- ▶ Contact Liebherr Service.

The initial dimension (**y**) for the single hook is marked on the load hook.

The initial dimension (**y₁**) and the initial dimension (**y₂**) for the double hook is marked on the load hook.

The expansion of the hook jaw may not exceed more than 10 % in reference to the initial dimension (**y**) or the initial dimension (**y₁**) and the initial dimension (**y₂**).

- ▶ Measure dimension **y** or dimension **y₁** and dimension **y₂** from center punch to center punch.
- ▶ Check for dimensional accuracy within the permissible tolerance.

3.2 Checking the load hook for surface cracks



DANGER

Death, severe injury, property damage due to surface cracks and damage on the load hook!

- ▶ Replace the load hook in case of surface cracks and damage.
- ▶ Contact Liebherr Service.

When distortions are found on the hook jaw:

- ▶ Check the load hook for surface cracks with a suitable procedure.
- ▶ Check the load hook for damage

3.3 Checking the load hook for wear



DANGER

Death, severe injury, property damage due to wear on the hook base!

- ▶ Replace the load hook in case of impermissible wear.
- ▶ Contact Liebherr Service.

The wear on the hook base may be no more than 5 % of the initial nominal dimension **h₂** for single hooks or initial nominal dimension **h** for double hooks.

The initial nominal dimensions **h₂** for single hooks and **h** for double hooks are listed in the chart.

Hook Number	Single hook h ₂ [mm]	Double hook h [mm]
4	67	—
5	75	—
6	85	75
8	95	85
10	106	95
12	118	106
16	132	118
20	150	132
25	170	150
32	—	170

Hook Number	Single hook h_2 [mm]	Double hook h [mm]
40	—	190
50	—	212
63	—	236
80	—	265
100	—	300
125	—	335
160	—	375
200	—	425
250	—	475
320	—	545

Initial nominal dimensions h_2 for single hooks and h for double hooks

- ▶ Measure dimension h_2 for single hooks or dimension h for double hooks.
- ▶ Check for dimensional accuracy within the permissible tolerance.

3.4 Checking load hooks for corrosion and wear



DANGER

Death, severe injury, property damage due to corrosion and wear on the thread!

- ▶ Replace load hooks which are **not** dimensionally accurate.

When wear or impermissible axial play on the hook nut is present:

- ▶ Replace the hook nut.
- ▶ Contact Liebherr Service.

To check the threads regarding corrosion and wear, the hook nut must be unscrewed from the hook shaft.

- ▶ Check the load hook thread and hook nut for corrosion and wear.

When reconditioning work is required to remove corrosion notches:

- ▶ Carry out a test for dimensional accuracy.

Fig.195219

LWE/LR 11350-005/19004-04-02/en

1 Safety guidelines



WARNING

Damaged and leaky hydraulic hose lines!
Fire, accidents, death, severe injury, property damage.

If leaky areas are found:

- ▶ Have these leaky areas inspected immediately by authorized and trained expert personnel and remedied.

If damage is found:

- ▶ Have the hydraulic hose lines replaced exclusively by authorized and trained expert personnel.

If it is determined that the service life is over:

- ▶ Have the hydraulic hose lines replaced exclusively by authorized and trained expert personnel.

Make sure that the following prerequisite is met:

- A **competent person for hydraulic hose lines** inspects the hydraulic hose lines.

A **competent person for hydraulic hose lines** has the following knowledge:

- Knowledge and experience in hydraulic and mechanics
- Knowledge of all requirements regarding valid standards:
 - ISO 8331
 - ISO 2230
 - ISO 1402
 - ISO/TR
 - EN 853 to EN 857
 - National regulations
- **or:** Knowledge of all requirements regarding the valid German standards, for example:
 - DIN 20066:202-10
 - BGR 237 Feb 2008, BG-Regulation

2 Inspection intervals

The inspection of hydraulic hose lines must be carried out in the following intervals:

- when the crane is **up to 10 years** old, at least one inspection every twelve months
- when the crane is **older than 10 years**, at least one inspection every six months

3 Checking the end of the service life

Hydraulic hose lines have a limited service life.

When hydraulic hose lines are properly stored, installed and used, then the manufacturer guarantees a service life of at least 10 years.

The life expectancy of hydraulic hose lines can deviate significantly from the noted service life of hydraulic hose lines.



Note

Special case: Active rear axle steering!

- ▶ The life expectancy of hydraulic hose lines is six years, including a storage period of maximum two years.

The life expectancy of a hydraulic hose line depends on various factors:

- Environmental influences, for example: Temperature, humidity, corrosive air
- Use

- Working cycles
- Number of bending cycles
- Friction
- Fluid

The following factors reduce the life expectancy significantly:

- Heat
- Repeated bending under pressure

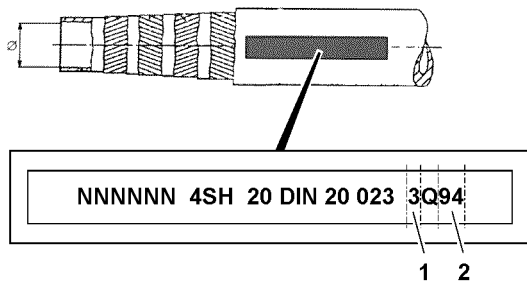


Fig.120159: Example for identification of hydraulic hose lines

The manufacturing date is marked on the fixtures or fittings.

- ▶ Read the quarter **1** of manufacture.
- ▶ Read the year **2** of manufacture.

When the life expectancy of a hydraulic hose line has been exceeded, then a **competent person** can decide **not** to replace the hydraulic hose line. Document the decisions, see section „Documenting the inspection“.

When the end of the service life is determined:

- ▶ Have the hydraulic hose lines replaced exclusively by authorized and trained expert personnel.

4 Inspecting the hydraulic hose lines for damage

Hydraulic hose lines must be replaced when one of the following damage is present:

- Damage on outer surface, such as chafe marks, cuts and cracks
- Brittleness due to aging of outer layer (cracks)
- Distortion, such as splitting of hose layers, bubbles, crushed areas, kinks, rotational stress
- Leakages
- Damage or distortion of hose fixtures or hose fitting (seal is endangered)
- Movement between hose and hose line, hose working itself loose from the fixture or the fitting
- Requirements for installation **not** observed
- Corrosion of fixture or fitting (solidness or function of fitting is endangered)

When the hydraulic hose line is **not** completely accessible:

- ▶ Remove the hydraulic hose line.

When the hydraulic hose line is protected with a protective hose:

- ▶ Check the hose protection for abrasion. Abrasion on a hose protective hose can indicate abrasion on the hydraulic hose line.
- ▶ Check hydraulic hose lines for distortion in pressureless and pressurized status and during bending.

When the hydraulic hose line is slightly damaged, then a **competent person** can decide **not** to replace the hydraulic hose line. Document the decisions, see section „Documenting the inspection“.

If damage is found:

- ▶ Have the hydraulic hose lines replaced exclusively by authorized and trained expert personnel.

5 Inspecting the hydraulic hose lines for leaks

- ▶ Check the crane for escaped hydraulic oil.
- ▶ Check the crane for leaks by visually checking the ground under the crane.

When the hydraulic system leaks:

- ▶ Have these leaks inspected immediately by authorized and trained expert personnel and remedied.
or
Contact Liebherr Service.

6 Documenting the inspection

Make sure that the following prerequisite is met:

- A **competent person for hydraulic hose lines** documents noticeable observations.

The following data about hydraulic hose lines is documented:

- Installation location
- Condition
- Date
- Time
- ▶ Document noticeable observations comprehensibly.

When the life expectancy of a hydraulic hose line has been exceeded or if the hydraulic hose line is slightly damaged, then a **competent person** can decide **not** to replace the hydraulic hose line.

When the hydraulic hose line is **not** replaced:

- ▶ Document decisions and replacements comprehensibly.
- ▶ Document the date for the next inspection comprehensibly.

7 Replacing hydraulic hose lines

To ensure maximum safety, sealing and service life, the following guidelines apply for replacement of hydraulic hose lines.



WARNING

Impermissible spare parts!

Death, severe injury, property damage.

- ▶ Do **not** use repaired or used hydraulic hose lines.
- ▶ Use exclusively Original Liebherr spare parts.
- ▶ Use exclusively hydraulic hose lines according to manufacturer's specification (including fixtures, rubber piece goods and manufacturing process).

NOTICE

Routing of hydraulic hose lines changed!

Abrasion. Incorrect bending radius. Stress. Shortened service life.

- ▶ Keep the routing of hydraulic hose lines.
- ▶ Inspect the hydraulic hose lines according to intervals.

- ▶ Adhere to the hose bending radii according to the manufacturer's specifications.
- ▶ Ensure the routing of hydraulic hose lines according to manufacturer's specifications (pressureless and pressurized condition).
- ▶ Ensure the distance between lines and structures.

If necessary:

- ▶ Check moving parts in the area of hydraulic hose lines.

When the hydraulic hose line is installed in straight direction:

- ▶ Ensure a sag of the hose.
- ▶ Avoid mechanical tension and twisting of the hose during installation.
- ▶ Fasten the hydraulic hose line according to manufacturer's specification.
- ▶ Do not cross hydraulic hose lines for high pressure and low pressure.
- ▶ Keep hydraulic hose lines away from hot components.

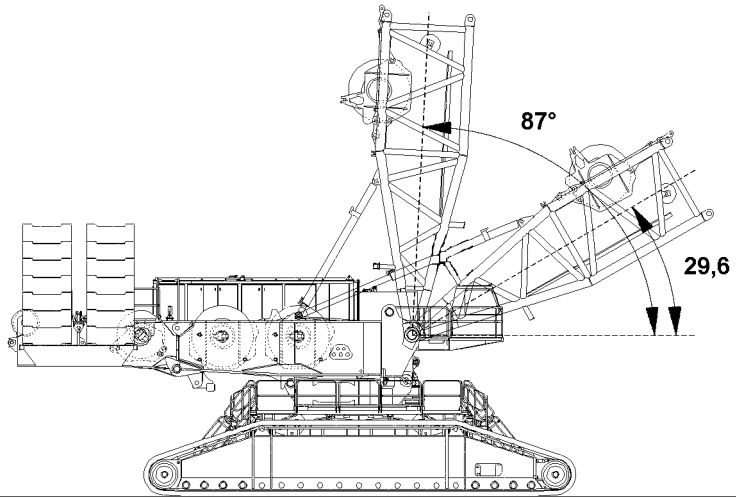
When hydraulic hose lines are in a surrounding with high temperatures:

- ▶ Install protective insulation according to manufacturer's specifications.

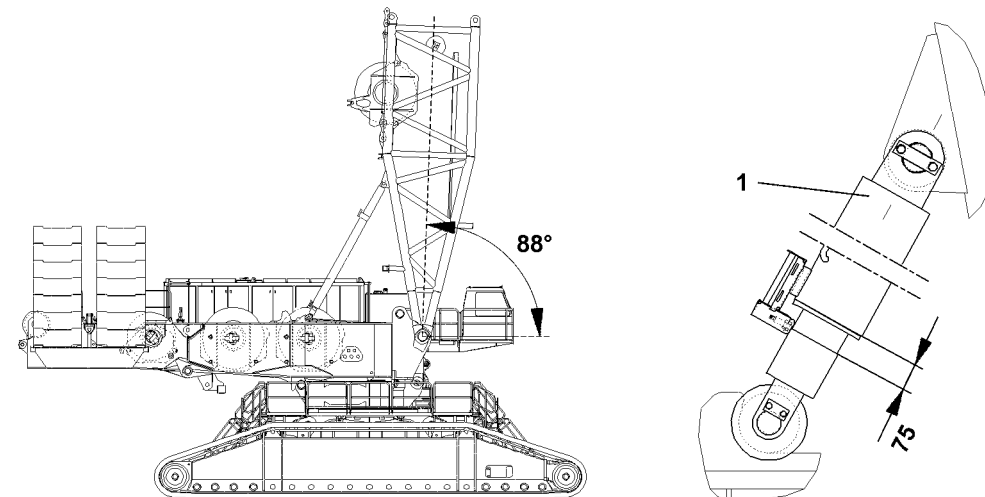
Empty page!

LWE/LR 11350-005/19004-04-02/en

1



2



3

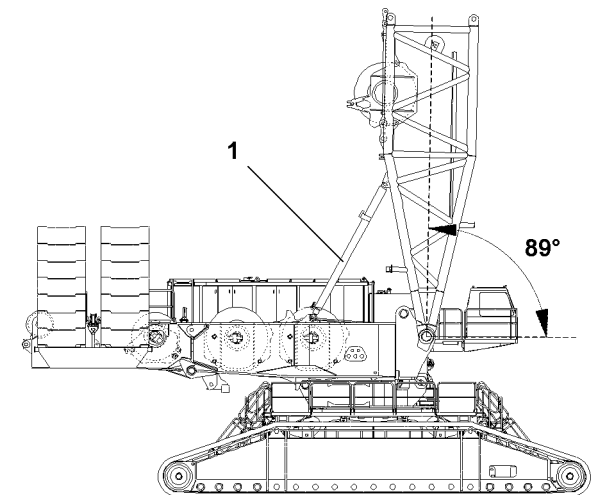


Fig.102289

1 S-boom relapse retainer

Two hydraulic cylinders prevent the boom from falling backward.

They are controlled on high or low pressure, depending on the operating mode or boom length.

In steepest boom position, the luffing up movement is turned off by the actuated limit switches in the cylinders.

Icon appears on the LICCON monitor.

1.1 Checking limit switch initiators for function

Cover limit switch initiators on the S-relapse cylinder individually with a metal plate.

- The S-boom „luffing up“ movement must turn off.
- The icon must appear on the LICCON monitor.

Illustration	Boom angle	Cylinder length
1 flattest position	29,6 °	8010 mm
1 steepest position	87 °	5135 mm
2 electric switch position	88 °	5073 mm
3 block position	89 °	5010 mm

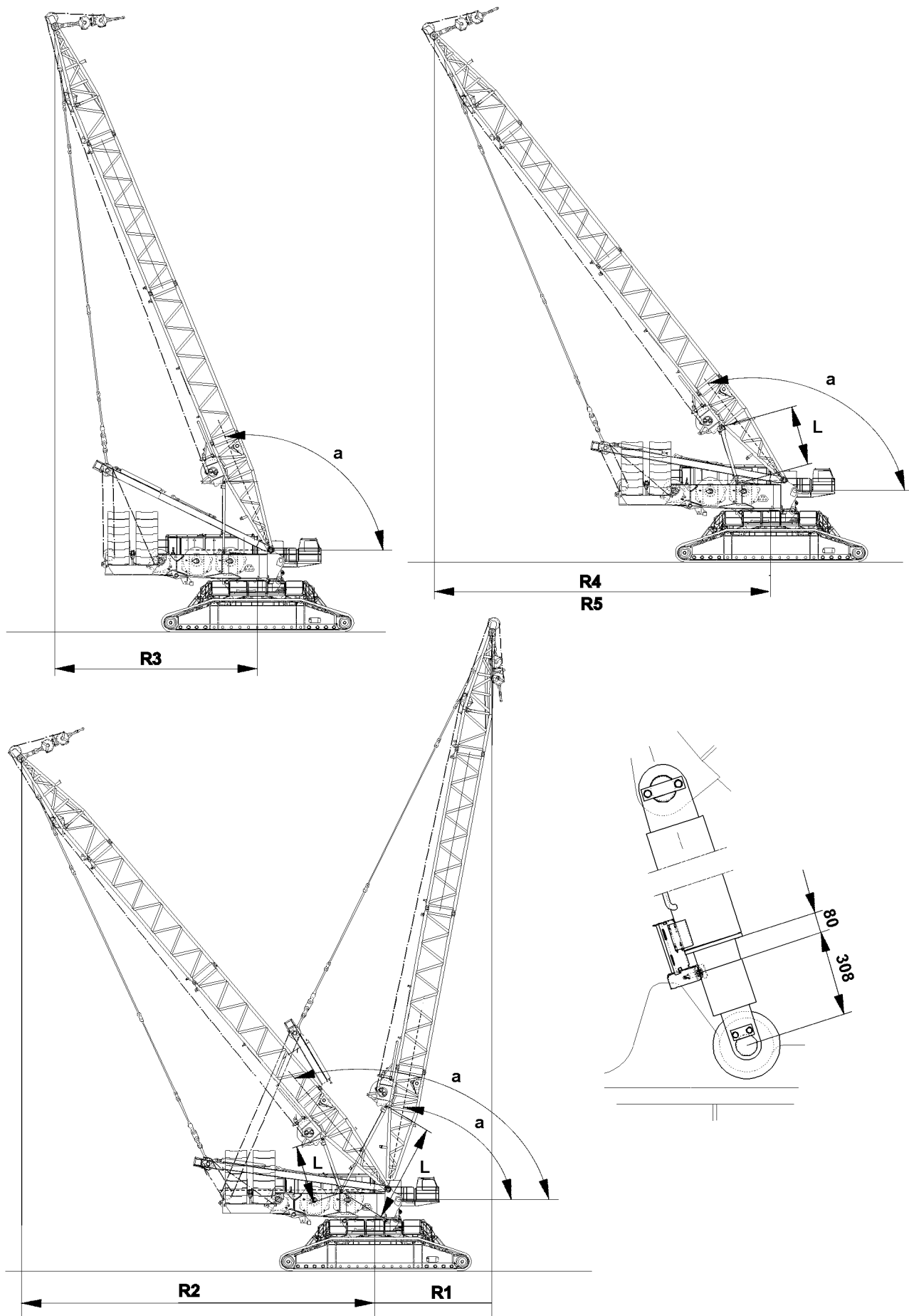


Fig.104754

LWE/LR 11350-005/19004-04-02/en

2 Derrick relapse retainer

Two hydraulic cylinders prevent the derrick from falling backward.

- If the limit switches on the cylinders are actuated, the winch IV „spool up“ movement is shut off.
- The icon appears on the LICCON monitor.

2.1 Checking limit switch initiators for function

Cover limit switch initiators on the D-relapse cylinder individually with a metal plate.

- The D-boom „luffing up“ movement must turn off.
- The icon must appear on the LICCON monitor.

2.2 Illustration

	Slewing radius R		Angle a	Cylinder length L
Cylinder extended	R 1	–8.7 m	79,4°	7100 mm
Nominal position	R 3	15 m	112,4°	5192 mm
Nominal position	R 4	25 m	128,2°	4231 mm
Electric switch position	R 5	25.6 m	127,4°	4165 mm
Block position	R 2	26.3 m	130,5°	4100 mm

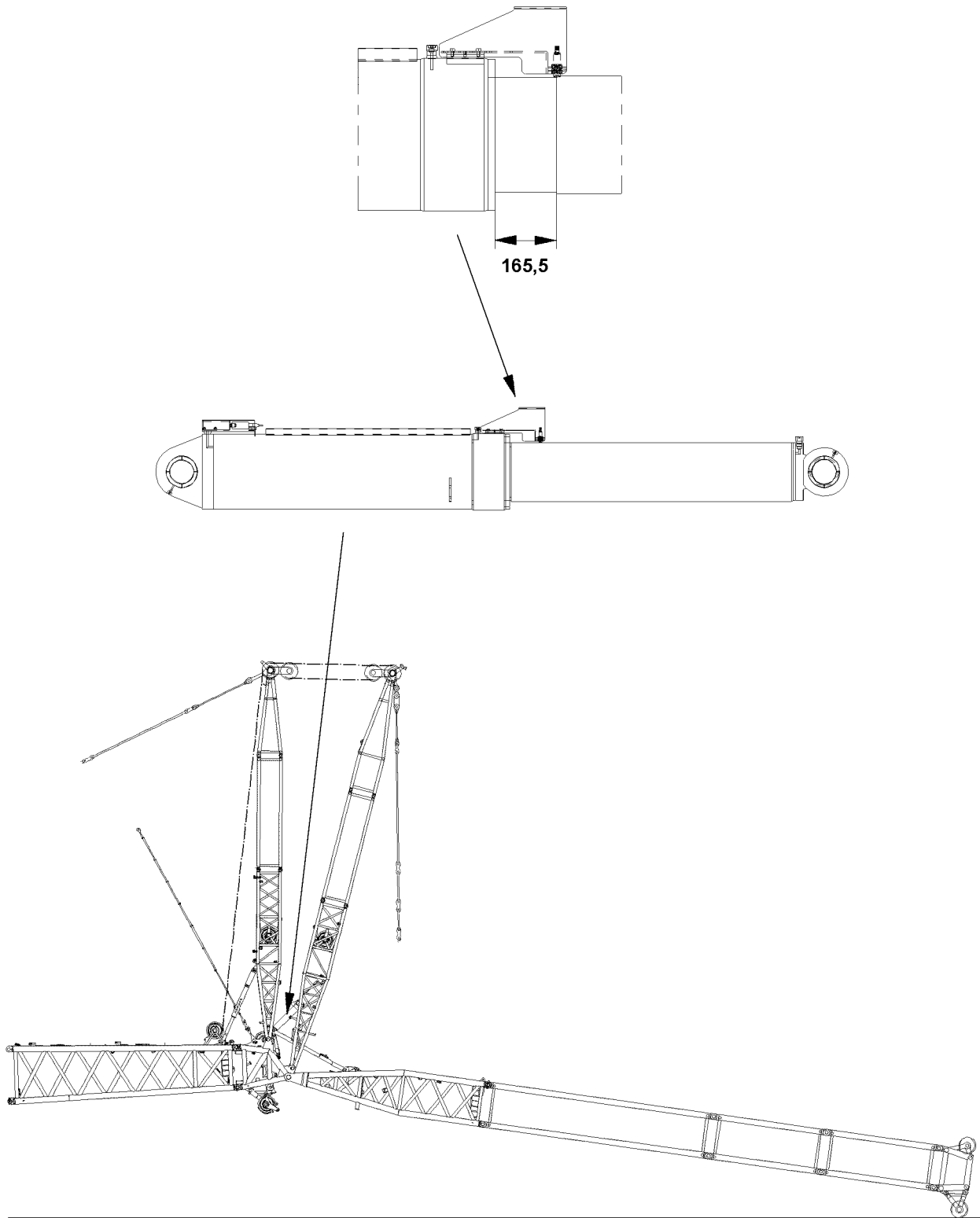


Fig.102344

LWE/LR 11350-005/19004-04-02/en

3 W-lattice jib

3.1 Checking limit switch initiators for function

Cover limit switch initiators on the W-relapse cylinder individually with a metal plate.

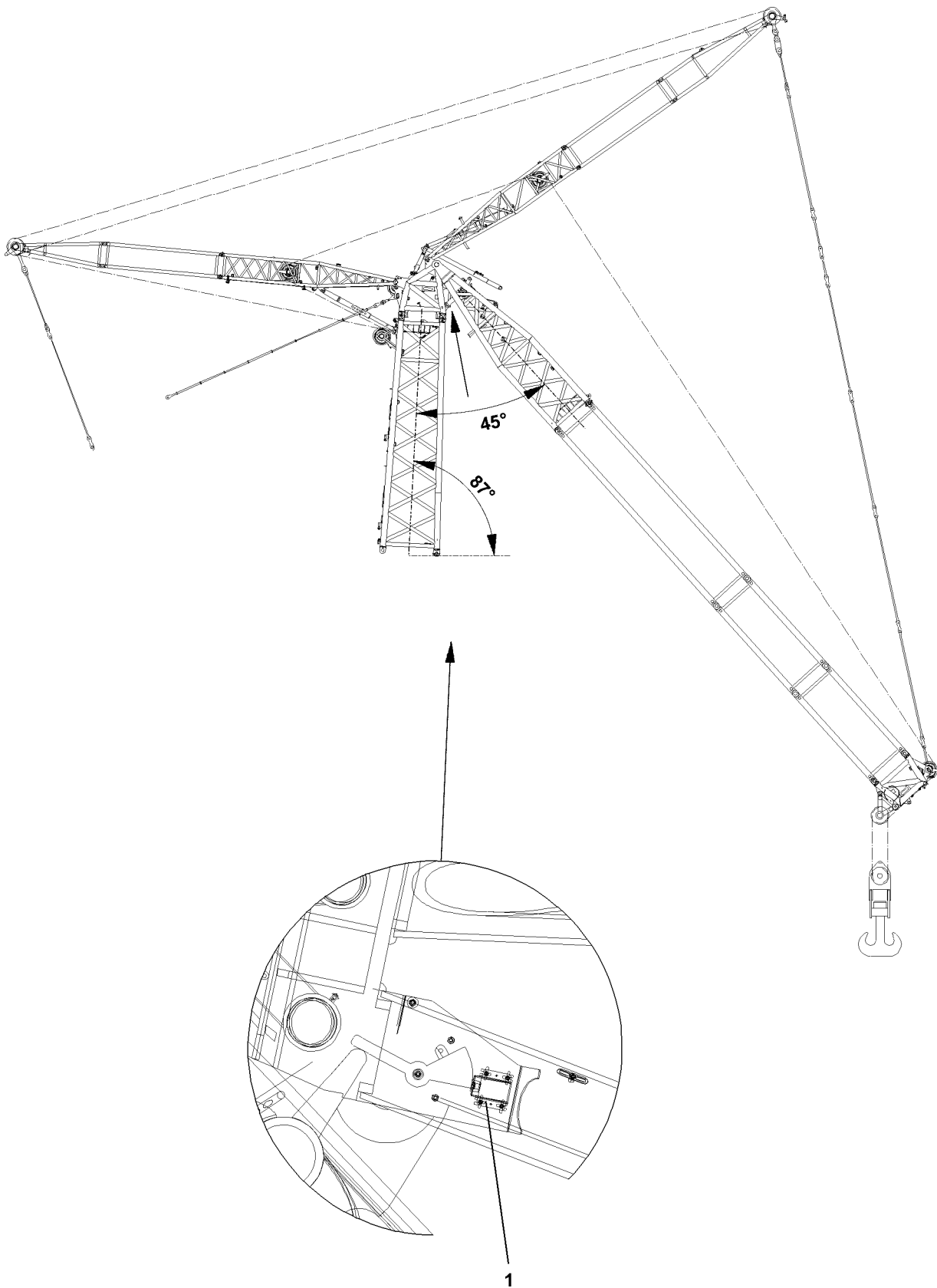
- The W-control winch „spool up“ movement must turn off.
- The icon must appear on the LICCON monitor.

3.2 Checking limit switch initiators on switch point „steepest position“

Before erecting the boom, check the function of the limit switch initiators in installed condition. Pull up both SA-brackets to the specified dimension (see illustration) until the switch contact opens.

- The W-control winch „spool up“ movement must turn off.
- The icon must appear on the LICCON monitor.

After successful check, reset the SA-brackets to set-up condition.



LWE/LR 11350-005/19004-04-02/en

Fig.102345

3.3 W-lattice jib „bottom“

3.3.1 Checking limit switch initiators for function

Cover the limit switch initiators individually with a metal plate.

- The W-control winch „reel off“ movement must turn off.
- The icon must appear on the LICCON monitor.
- Switch position „luffing jib bottom“, approx. 45 °
Limit switch (initiator) **1**, see illustration.

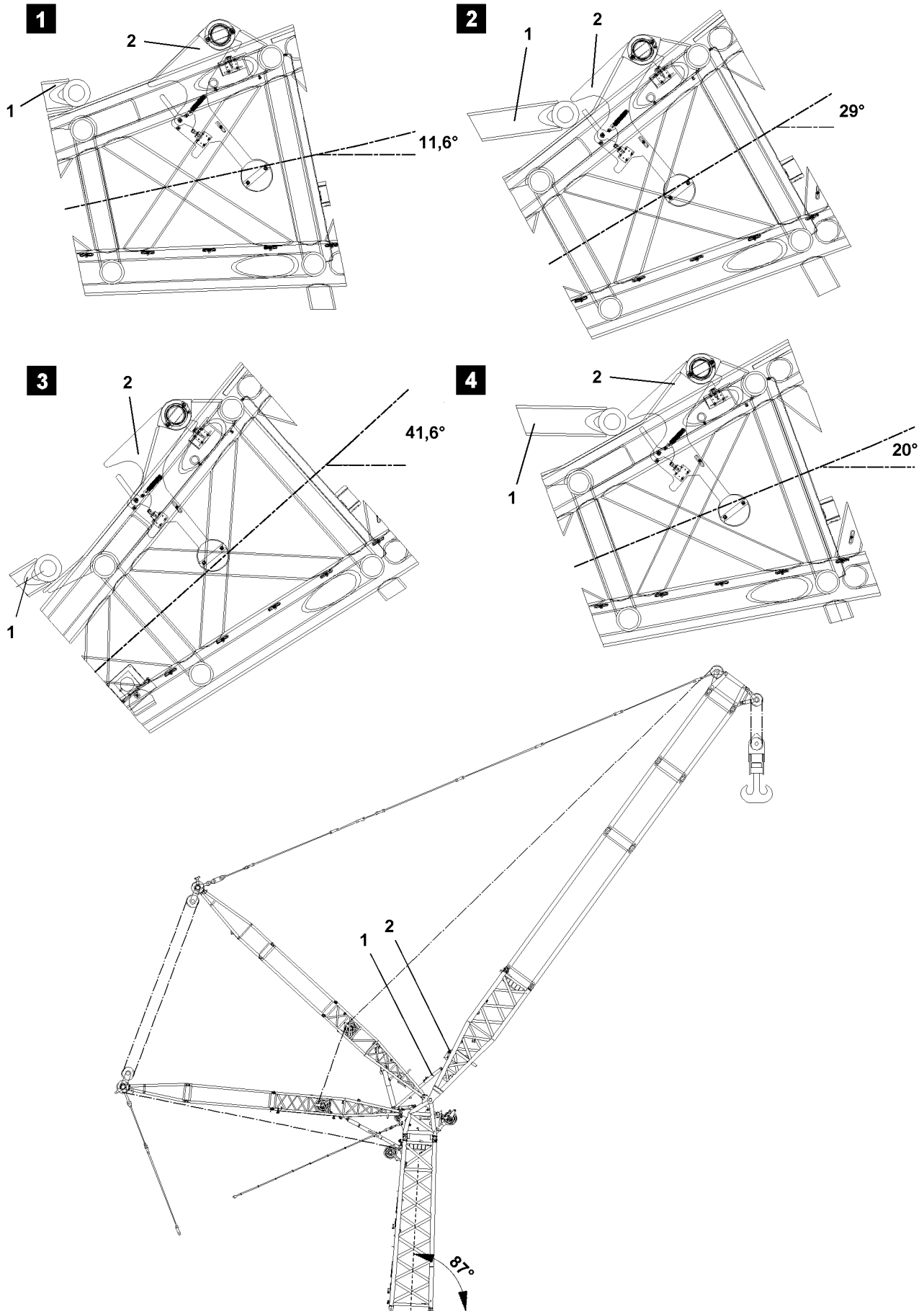


Fig.102346

3.4 Function check of limit switch initiators on the mechanical relapse retainer

Mechanical relapse support 1

Oscillating safety for mechanical relapse support 2

In addition to the relapse cylinders, the lattice jib is also secured by a mechanical relapse support 1, which engages in steepest lattice jib position into the flap of the oscillating safety 2. The luffing up movement is turned off by the actuated limit switches on the oscillating safety.



DANGER

Danger of tipping over if the oscillating safety is hard to move!

If the oscillating safety 2 is hard to move, the mechanical relapse retainer will no longer function. The W-lattice jib can tip backwards uncontrolled and cause the crane to topple over!

- ▶ Crane operation with hard to move oscillation safety 2 is prohibited!
 - ▶ Before erection, the pendulum of the mechanical relapse retainer must be checked for easy movement over the complete swing range of the pendulum.
-

Depending on the lattice jib position (boom position = 87°), the flap on the oscillation safety is swung out by the weight of the pendulum:

- 11.6° the flap is swung in, see illustration 1
- 29.0° the flap can be pushed open, see illustration 2
- 41.6° the flap is swung out, see illustration 3
- 20.0° the flap can be pushed closed, see illustration 4

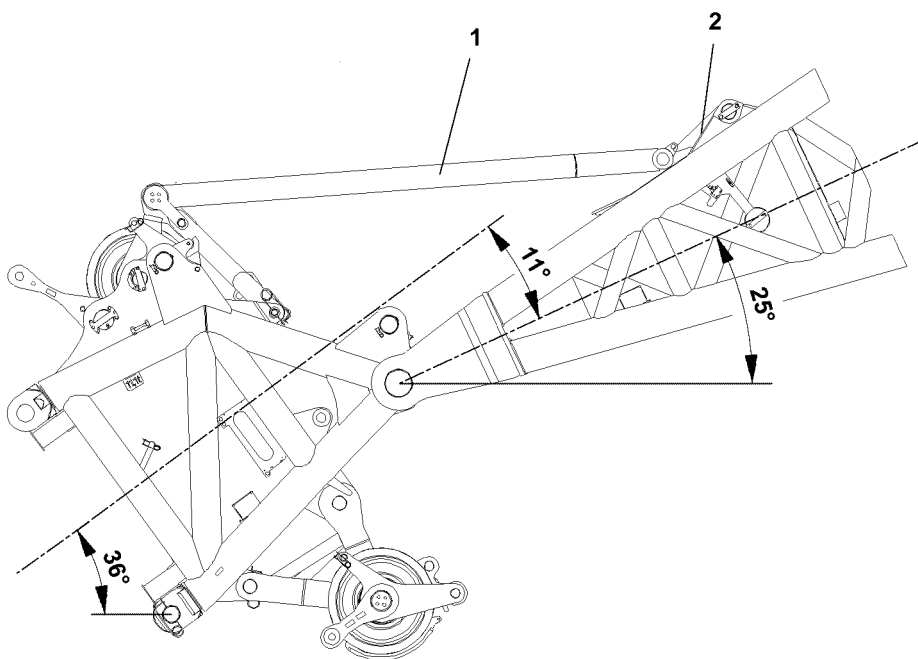
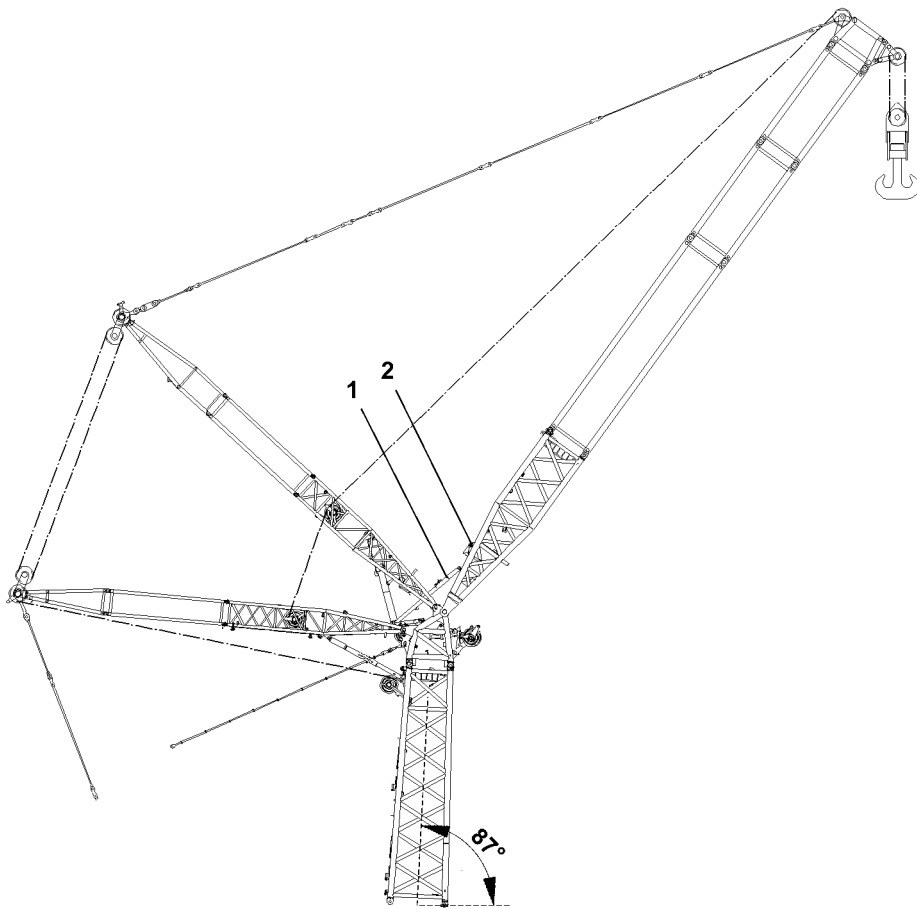


Fig.102347

3.5 Flap of oscillating safety 2 on collision with mechanical relapse support 1

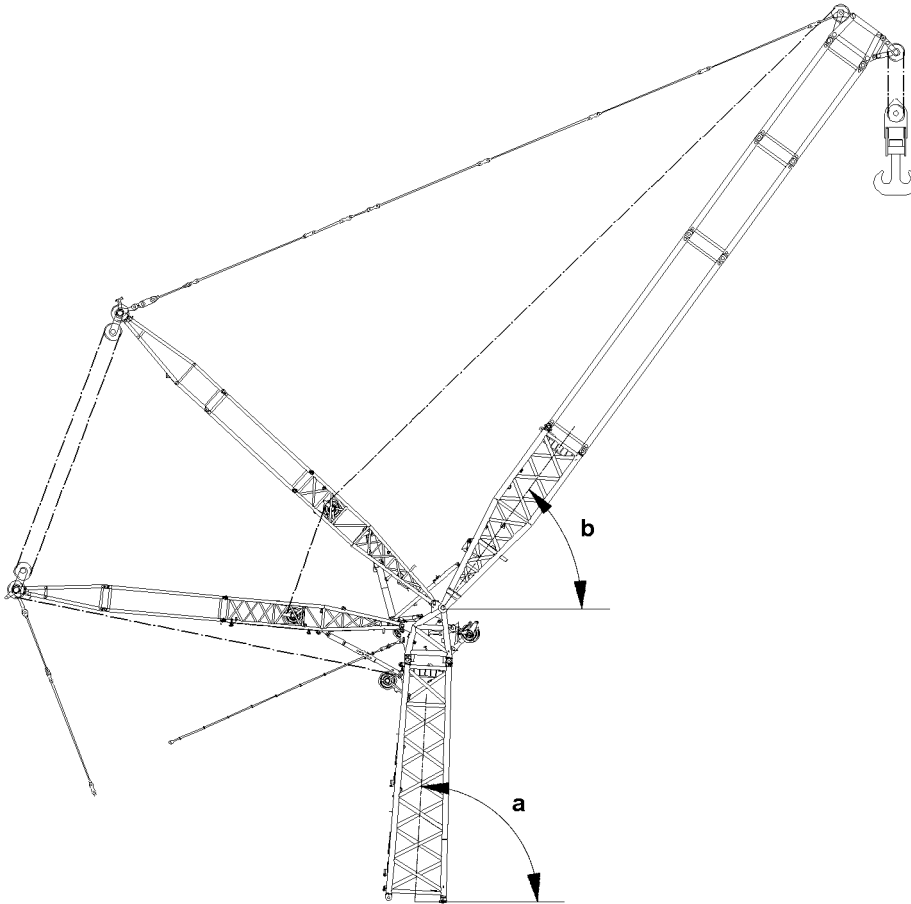
**DANGER**

Risk of collision!

If the angle between the boom and the lattice jib is smaller than or equal to 11° , the mechanical relapse support 1 will collide with the flap on the oscillating safety 2. The lattice jib can tip backwards uncontrolled and cause the crane to topple over!

Personnel can be killed!

- ▶ Never fall below an angle of 11° when luffing up!
 - ▶ Check visually!
-



	bar
RP S(L)	220
RP D	220
RP W1(N1)	300
RP W2(N2)	
min:max	92 380

Fig.102348

1 Checking jib stop cylinder pressure

The jib stop cylinder pressure must be checked using the LICCON operation display before and after crane operation. (see **diagnosis**)

The actual pressure displayed on the LICCON operation display must correspond with the target pressure in the table.



Note

- ▶ The specified target pressure depends on the outside temperature.
- ▶ The maximum permitted difference between the target pressure and the actual pressure is +/- 10 bar.

The jib stop cylinder pressure is checked as follows:

- Checking cylinder pressure with „jib stop extended to maximum limit“
- Checking cylinder pressure with „jib stop in test position“

1.1 Checking cylinder pressure with „jib stop extended to maximum limit“

- Set main boom and lattice jib to angles specified in table.
- Compare target pressure in table with actual pressure in LICCON operation display.

„Extend jib stop to maximum limit“								
Boom angle α °	Lattice jib angle β °	Cylinder length mm	Lift mm	Target pressure in bar				
				-40° C	-20° C	0° C	20° C	40° C
87	52,2	4600	1150	112,5	122,2	131,8	141,5	151,2

1.2 Testing cylinder pressure with „jib stop in test position“

- Set main boom and lattice jib to angles specified in table.
- Compare target pressure in table with actual pressure in LICCON operation display.

„Jib stop in test position“								
Boom angle (α) °	Lattice jib angle (β) °	Cylinder length mm	Lift mm	Target pressure in bar				
				-40° C	-20° C	0° C	20° C	40° C
87	54	4519	1069	118,1	128,1	138	148,3	158,4

Fig.195219

LWE/LR 11350-005/19004-04-02/en

1 Safety guidelines



WARNING

Damaged guy rods!

Accident. Death, severe injury, property damage.

▶ Crane operation with damaged guy rods **1** is prohibited.

▶ Replace damaged guy rods **1**.

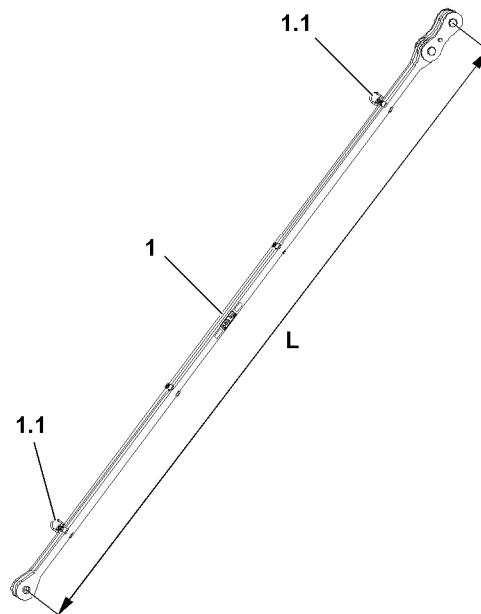


Fig.123845: Guy rod

Make sure that the following prerequisites are met:

- **Authorized and trained expert personnel** checks the guy rods **1**.
- A checklist for documentation of the inspection is on hand

2 Inspection intervals

The inspection of the guy rods **1** must be carried out in the following intervals:

- One inspection of the guy rods every 12 months by an expert.
- One inspection of the guy rods every four years by an authorized inspector.

After a load rip-off or overload of the crane:

- immediate inspection of guy rods by an expert

3 Checking the guy rods

3.1 Inspection



Note

- ▶ All inspections of the guy rods **1** must be documented.

The guy rods must be inspected in removed condition.

**WARNING**

The guy rods **1** can be ripped off!

If a damaged guy rod **1** is used further, it can rip off in crane operation.

Death, severe injury, property damage.

- ▶ Crane operation with damaged guy rods is prohibited.
- ▶ Repairs on guy rods **1** (for example: through welding) are prohibited.
- ▶ Replace damaged guy rods immediately.
- ▶ If one of the following stated damage is found, then the guy rods **1** may no longer be used.

3.2 Cracks and dents

- ▶ Check the guy rods **1** thoroughly through a visual inspection for cracks and dents.

Problem remedy

Damage to guy rods is not clearly evidenced through a visual inspection?

- ▶ Check the respective areas of the guy rods thoroughly, for example with a magnetic particle test.
- ▶ If damage is found: Replace the guy rods **1** immediately.

3.3 Elongation

**Note**

- ▶ The initial dimension **L** of the guy rods **1** refers to the bore spacing of the pin bores.
- ▶ The initial dimension **L** of the guy rods **1** is listed in the separate rod plan.
- ▶ Check the elongation of the guy rods **1** by measuring the guy rods.

**WARNING**

The guy rods can be ripped off!

The permissible elongation of the guy rods **1** may be a maximum of 0.2 %, for example 14 mm , at an initial dimension **L** of 7000 mm.

Death, severe injury, property damage.

- ▶ If the maximum permissible elongation is reached or exceeded: Replace the guy rods **1** immediately.
- ▶ If an elongation of the guy rods of more / equal to 0.2 % of the initial dimension **L** is proven: Replace the guy rods **1** immediately.

3.4 Wear

- ▶ Check the bores, pins and pin retainers for signs of wear.
- ▶ If respective wear is present in the stated areas: Replace the guy rods **1** immediately.

3.5 Ductile deformation

- ▶ If a guy rod **1** shows any ductile deformation: Replace the guy rod **1** immediately.

3.6 Paint / coating

- ▶ The guy rods **1** must be checked for paint damage or corrosion.
- ▶ If damage is present on the paint finish / coating: Repair the paint / coating of the guy rods **1** expertly.

NOTICE

Danger of property damage!

- ▶ Never store guy rods **1** in or near aggressive media, for example: Seawater.
- ▶ Always store the guy rods **1** properly and outside of aggressive media.

3.7 Fastening points

- ▶ Check the fastening points **1.1** of the guy rods **1** for damage.
- ▶ Replace damaged fastening points **1.1**.

Fig.195219

LWE/LR 11350-005/19004-04-02/en

1 Safety guidelines



WARNING

Damaged ladders!
Accident. Death, severe injury, property damage.

If damage is found:

- ▶ Have ladders repaired by authorized and trained expert personnel.

If it is determined that the ladder cannot be repaired:

- ▶ Scrap the ladder immediately.

Make sure that the following prerequisite is met:

- **Authorized and trained expert personnel** checks the ladders.

The authorized and trained expert personnel has the following expertise:

- Knowledge, experience and abilities in repairing ladders
- Is familiar with the necessary prerequisites as determined by the contractor for the inspection of ladders
- Has the knowledge about the type, scope and intervals for the required inspections as determined by the contractor

2 Inspection intervals

The inspection of ladders must be carried out in the following intervals:

- The contractor determines the **required** intervals
- But there must be at least one inspection every **12 months**

Intervals depend on:

- Operating conditions
- Frequency of use
- Operational demands during use
- Frequency and severity of defects found during previous inspections

3 Inspecting ladders

Make sure that the following prerequisites are met:

- Ladder inspection sheets are on hand. For blank form, see section „Inspection form for the inspection of ladders and steps“
- Check lists are on hand. For blank form, see section „Check list for the inspection of ladders and steps“
- ▶ For every ladder and every step: Enter the data in the ladder inspection form.
or
Get the ladder inspection form for ladders or steps.
- ▶ Check the ladders and steps according to the check list and document the results.
- ▶ Collect the ladder inspection forms and check lists in the crane documentation.

4 Inspection sheet and check list

The following is shown, as an example: Inspection form and check list for the inspection of ladders and steps.

4.1 Inspection form for the inspection of ladders and steps

Ladder control sheet	
Stock no. of the ladder/steps	
Location/installation location	
Ladder type	Stepladder
	Leaning ladder
	Leaning ladder with overshoot
	Vertical ladder
	Vertical ladder with overshoot aid
	Platform ladder
	Steps
Material of the ladder	Aluminium
	Plastic
	Steel
	Stainless steel
Number of rungs/stairs	
Ladder length/ladder shortened to	
Manufacturer/dealer	
Article/type number	
Date of purchase	
Date of discard	
Name of representative	
Next inspection	

Control sheet for inspecting ladders and steps

Fig.121361-en

4.2 Check list for the inspection of ladders and steps

Inspection criteria	1st Inspection	2nd Inspection	3rd Inspection	4th Inspection	5th Inspection
1. Beams					
Deformation					
Damage (for example cracks)					
Sharp edges, splinters, burrs					
Wear					
Protective treatment					
2. Rungs/stairs/platform					
Deformation					
Damage					
Sharp edges, splinters, burrs					
Connection to the beam (for example, flanging, screw/rivet connections, welding seam)					
Wear (for example, stepping surfaces, platform overlay)					
3. Spreader safety					
Completeness/fastening					
Functionality					
Damage					
4. Fitting parts					
Damage/corrosion					
Completeness/fastening					
Functionality					
Wear					
Lubrication (mechanical parts)					

Fig.121362-en

Inspection criteria	1st Inspection	2nd Inspection	3rd Inspection	4th Inspection	5th Inspection
5. Ladder/stands/pulleys					
Completeness/fastening					
Wear/damage					
Functionality					
6. Accessories (for example, beam extension, base expansion, wall support)					
Completeness/fastening					
7. Identification					
Operating instructions (for example, pictogram)					
8. Inspection result					
Ladder OK and usable					
Repair necessary					
Discard ladder immediately					
Comments					
Next inspection (month/year)					
Ladder inspected					
Date					
Signature					

Check list for inspecting ladders and steps

Fig.121363-en

Empty page!

LWE/LR 11350-005/19004-04-02/en

Fig.195219

LWE/LR 11350-005/19004-04-02/en

1 Inspection chart for recurring inspections of Liebherr cranes

The following is a checklist to assist the inspector during the periodic inspections of Liebherr mobile and crawler cranes.

Company:	Inspector:
Crane manufacturer: Liebherr	Crane type:
Serial number:	Stock number:
Year of construction:	Date:
Inspector's signature for No. 1 to 22:	

1. Inspection category: Crane document						
Component to be inspected	A	B	C	D	E	Comments
Crane inspection log						
Operating and installation instructions						
Crane control log						
Load chart manual						
Job planner						

2. Inspection category: Signs / identification						
Component to be inspected	A	B	C	D	E	Comments
Factory tag						
Load data						
Operating instruction label						
Prohibition and command signs						
Other safety signs						

3. Inspection category: Travel gear ¹						
Component to be inspected	A	B	C	D	E	Comments
Frame ²						
Supports ³						
Axles						
Wheels						
Tires						
Bearings						
Transmission						
Universal drive shaft						
Leaf springs / springs						
Shock absorbers						

3. Inspection category: Travel gear ¹						
Component to be inspected	A	B	C	D	E	Comments
Steering						
Brakes						
Hydraulic axle suspension						

4. Inspection category: Chassis ¹						
Component to be inspected	A	B	C	D	E	Comments
Coverings						
Accessible surfaces						
Counterweight holders ²						
Towing devices						
Accesses, ladders						
Holding devices, handles						
Platforms, railings						
Retainer for hook block ²						
Boom support ²						

5. Inspection category: Chassis - driver's cab ¹						
Component to be inspected	A	B	C	D	E	Comments
Doors						
Windows / windshields						
Windshield wipers						
Mirrors						
Seat						
Heater						
Ventilation						
Sound absorber						
Trip recorder						
First aid kit						
Spare bulbs						
Hazard warning triangle						
Safety vest						

6. Inspection category: Chassis - drive ¹						
Component to be inspected	A	B	C	D	E	Comments
Combustion engine						
Exhaust system						
Fuel tank						

6. Inspection category: Chassis - drive ¹						
Component to be inspected	A	B	C	D	E	Comments
Urea container						
Fuel container						
Filters						
Sound absorber						
Engine mount						
Oil levels						
Fuel lines						
Urea lines						
Fuel lines						

7. Inspection category: Chassis - hydraulics ¹						
Component to be inspected	A	B	C	D	E	Comments
Oil container						
Filter with maintenance indicator						
Pumps						
Motors						
Valves						
Lines						
Hoses						
Cylinder						
Pressure limiting valves						

8. Inspection category: Chassis - pressurized air system ¹						
Component to be inspected	A	B	C	D	E	Comments
Compressor						
Filters						
Air tanks						
Valves						
Lines						
Hoses						
Cylinder						

9. Inspection category: Chassis - electrical system ¹						
Component to be inspected	A	B	C	D	E	Comments
Motors						
Generators						
Battery						

9. Inspection category: Chassis - electrical system ¹						
Component to be inspected	A	B	C	D	E	Comments
Switches / buttons						
Lines						
Fuses						
Resistors						
Lighting						
Brake lights						
Blinkers						
Tail lights						
Working lights						
Signaling systems						
Indicator lights						
Battery switch						
Limit switches: Transmission, steering, drive train						
Support pressure indicator ²						

10. Inspection category: Chassis - control devices ¹						
Component to be inspected	A	B	C	D	E	Comments
Engine regulation						
Transmission						
Couplings						
Circuits						
Brakes						
Steering						
Indicator displays						
Engine shut off line						
Control of supports ²						
Axle suspension						
Crane leveling						
Rear axle steering						

11. Inspection category: Superstructure						
Component to be inspected	A	B	C	D	E	Comments
Frame						
Coverings						
Treads						
Bearings						

11. Inspection category: Superstructure						
Component to be inspected	A	B	C	D	E	Comments
Counterweights						
Relapse retainer						
Slewing ring connection: Tilt play						
Slewing ring connection: Mounting screws						
Slewing ring connection: Gears						
Slewing gear: Mounting screws						
Slewing gear: Gears						

12. Inspection category: Superstructure - crane operator's cab						
Component to be inspected	A	B	C	D	E	Comments
Doors						
Windows / windshields						
Windshield wipers						
Mirrors						
Seat						
Heater						
Ventilation						
Sound absorbers						
Joystick for working functions						
Gear shifts						
Safety: Crushing / shear locations						

13. Inspection category: Superstructure - Retaining and protection devices						
Component to be inspected	A	B	C	D	E	Comments
Accesses, ladders						
Handles						
Coverings						
Covers						
Hatches						
Treads						

14. Inspection category: Superstructure - drive train						
Component to be inspected	A	B	C	D	E	Comments
Combustion engine						
Exhaust system						
Fuel tank						
Urea container						

14. Inspection category: Superstructure - drive train						
Component to be inspected	A	B	C	D	E	Comments
Fuel container						
Filters						
Sound absorber						
Engine mount						
Fuel lines						
Urea lines						
Fuel lines						

15. Inspection category: Superstructure - hydraulic system						
Component to be inspected	A	B	C	D	E	Comments
Oil container						
Filters						
Pumps						
Motors						
Valves						
Lines						
Hoses						
Cylinder						
Pressure limiting valves						
Lowering brake valves						
Brake control: Hoist gear						
Brake control: Slewing gear						

16. Inspection category: Superstructure - electrical system						
Component to be inspected	A	B	C	D	E	Comments
Motors						
Generators						
Batteries						
Switches / buttons						
Lines						
Fuses						
Resistors						
Lighting						
Signal lights						

17. Inspection category: Superstructure - control systems						
Component to be inspected	A	B	C	D	E	Comments
Engine regulation						
Transmission						
Flexible couplings						
Circuits						
Engine shut off line						
Indicator displays						

18. Inspection category: Superstructure - rope drives						
Component to be inspected	A	B	C	D	E	Comments
Winch 1 ³						
Winch 2 ³						
Winch 3 ³						
Winch 4 ³						
Winch 5 ³						
Winch 6 ³						
Assembly winches ³						
Rope pulleys						
Rope end connection						
Rope for winch 1						
Rope for winch 2						
Rope for winch 3						
Rope for winch 4						
Rope for winch 5						
Rope for winch 6						
Rope for assembly winches						
Guy ropes						

19. Inspection category: Superstructure - hook						
Component to be inspected	A	B	C	D	E	Comments
Pulleys						
Rope guards on pulleys						
Axle support						
Load hook						
Load hook mounting						
Hook retention						

20. Inspection category: Superstructure - safety and switch systems						
Component to be inspected	A	B	C	D	E	Comments
Hoist emergency limit switch I						
Hoist emergency limit switch II						
Lowering emergency limit switch I						
Lowering emergency limit switch II						
Boom emergency limit switch I						
Boom emergency limit switch II						
Luffing jib: Boom limit switch I						
Luffing jib: Boom limit switch II						
Load moment limiter						
Angle display: Boom						
Angle display: Luffing jib						
Angle display: Slewing gear						
Safety devices: Control						
Working range limitation						
Pressure sensors						
Speed sensor						
Wind sensor						
Sliding beam monitoring						
Support pressure indicator						
Incline display						
Length indicator: Radius, boom length						
Emergency off system						
Engine stop						

21. Inspection category: Boom						
Component to be inspected	A	B	C	D	E	Comments
Weld structure						
Rope pulleys						
Change over pulleys feed mechanism						
Luffing cylinder						
Telescoping cylinder						
Boom extension ropes						
Boom retraction ropes						
Boom bearings						
Boom pinning						
Guy rods						
Guy ropes						

21. Inspection category: Boom						
Component to be inspected	A	B	C	D	E	Comments
Control ropes						
Guide ropes						
Safety ropes						
Relapse cylinders						

22. Inspection category: Equipment						
Component to be inspected	A	B	C	D	E	Comments
Weld structure						
Rope pulleys						
Relapse cylinder						
Relapse support						
Oscillation guard						
A-frame bearings						
Pinning of components						
Guy rods with pinning						
Rods with guide rail on A-frame 2 and A-frame 3						
All limit switches with switch mechanism						

Inspection chart for periodic inspections of Liebherr mobile and crawler cranes

Inspection criteria:

- A = present / complete
- B = Condition / maintenance
- C = Function
- D = Repair / replace
- E = Re-inspection required

Evaluation:

- Satisfactory = x
- Unsatisfactory = -
- Not required = 0

Comments:

- ¹ Inspection of the crane carrier vehicle road worthiness is also fulfilled if it has already been certified by the road traffic department certification authority. For cranes that are not certified for use on public roads, an expert or authorized inspector must conduct the required tests to validate the vehicle's road worthiness.
- ² These inspections must be carried out by an authorized inspector even if it has passed the road traffic department test and is certified.
- ³ Inspection of the winches regarding the used portion of the theoretical service life.

Empty page!

LWE/LR 11350-005/19004-04-02/en

90 Attachment

LWE/LR 11350-005/190004-04-02/en

Fig.195219

LWE/LR 11350-005/19004-04-02/en

1 Preface

This crane may only be used in flawless technical condition and according to its mission as well as with constant awareness of safety and dangers. Any problems, which could affect safety must be fixed immediately.



Note

- ▶ Modifications on the crane may only be made with written approval by Liebherr-Werk Ehingen GmbH.

1.1 Changes and updates for Operating instructions

Changes and updates for Operating instructions, which you receive in the circular as Customer information, must be filed in the Operating instructions for the respective crane under chapter 90.05.



Note

Procedure after receiving customer information!

- ▶ Attach the decals **1**, which are enclosed in the customer information to the footer of the respective chapter. See following example.
- ▶ Fill out the update confirmation form in chapter 90.05 of the operating instructions,
- ▶ Insert changes and updates under chapter 90.05 of the operating instructions.



Fig.113870

Example:

A change or update affects the Crane operating instructions, chapter 2.04.

- ▶ Attach the decal **1** in the footer of chapter 2.04.

Fig.195219

LWE/LR 11350-005/19004-04-02/en

Empty page!

LWE/LR 11350-005/19004-04-02/en

Index

3

3-point support **147**

7

7725039 – Warning of high voltage **157**
 772564008 – Swing range **157**
 772580408 – Limitation of maximum travel speed **158**

9

9412158 – Read operating instructions **159**
 97001802 – Falling platform **184**
 97003109 – Access of step ladder **167**
 97003110 – Fold the step ladder in and out **168**
 97003112 – Maximum suspended load **173**
 97004046 – Safety harness, maximum two persons **160**
 97006167 – Identification of support base **168, 168**
 97008514 – Warning of head injuries **169**
 97009799 – Data logger **169**
 97011336 - Transport weights of the components **184**
 97011689 – Warning of crushing danger **170**
 97011690 – Overload of cab is prohibited **171**
 97012095 – Maximum load **170**
 97012737 – Danger of accident **172**
 97012949 – Maximum load **170**
 97016304 – Notice sign for refueling **171**
 97016392 – Crushing danger for feet **171**
 97016911 – Risk of collision **179**
 97017585 – Falling telescopic boom during disassembly / assembly **160**
 97018351 – Falling telescopic boom during transport! **161**
 97018564 – Falling telescopic boom during transport! **161**
 97023034 – Disassembly **172**
 97027147 – Overloading of combi box is prohibited **161**
 97036732 – Access via 3-point support **172**
 97036733 – Fastening point **162**
 97036734 – Rigging point **182**
 97036735 – Fastening point for lattice section **164**
 97036736 – Fastening point for lattice sections **164**
 97036917 – Maximum suspended load **173**
 97037383 – Notice sign for urea **174**
 97037625 – Suspended load Fastening points / rigging points **164**
 97037871 – Fastening points for lattice sections **166**
 97037952 – Warning of fatal electric shock **174**
 97038442 – Fastening point for lattice section **165**
 97038452 – Fastening point for lattice sections **165**

97038454 – Fastening point for lattice sections **165**
 97039035 – Suspended load Assembly unit **167**
 97039753 – Danger of stumbling **179**
 97041305 – Warning of overload of components **175**
 97042730 – Falling luffing cylinder **174**
 97042797 – Warning of overload of components **175**
 97047566 – Center of gravity Counterweight **187, 188, 188, 188, 189, 189**
 97047810 – Pin brackets **175**
 97057097 – Fastening point to turn the component **167**
 97057524 – Fastening point for assembly of lattice sections **166**
 97057767 – Fastening points for lattice sections **166**
 97070905 – Removing the auxiliary jib (boom nose) **176**
 971494208 – Limitation of maximum travel speed **177**
 971539808 – Warning notice for unpinning the auxiliary boom on the pulley head **177**
 971539908 – Warning notice for unlocking the auxiliary boom **178**
 973974408 - Transport weights of the components **184**
 973974608 - Transport weights of the components **184**
 976624808 – Fasten the load **186**
 977055908 – Fastening point for swingable sliding beam **176**
 978673908 – Warning of suspended load **178**
 978674008 – Access for unauthorized personnel prohibited **178**
 978674108 – Warning of crushing danger **179**
 978674308 – Radio remote control **180**
 978674408 – Danger of burning hands **180**
 978674508 – Warning of rotating parts **180**
 978674608 - Crushing danger for hands **181**
 978674808 – Personal protective equipment **181**
 978674908 – Walking on the area is prohibited **181**
 978675008 – Access prohibited **182**
 978687408 – Rigging point **182**
 978867108 – Warning of fatal electric shock **183**
 979383308 – Notice sign for oil change **183**
 979561108 – Counterweight **183**

A

Abbreviations **27**
 Abbreviations Rope diameter **1845**
 Access to lattice sections or booms **85**
 Acoustic / visual warnings outside the crane operator's cab **679, 727**
 Acoustic / visual warnings within the crane operator's cab **677, 725**
 Acoustic and optical warning devices **537**
 Acoustic signal „Horn“ **403, 479**
 Acoustic signal „Short horn“ **403, 479**
 Acoustic warning on monitor 0 **403**
 Acoustic warning on monitor 1 **479**

- Activating / deactivating individual winches **487**
 Activating crawler operation **657**
 Activating the assembly operation **1409**
 Activating the bypass at assembly and disassembly **821**
 Activating the creeper gear **657**
 Activating „parallel travel“ **665**
 Active stand-by operation / alarm **499**
 Actual load **333**
 Adapting the input value hook block weight **367**
 Adding the auxiliary heater **1541**
 Adding „Power Plus“ **553**
 Additional controls for certain crawler cranes **774**
 Additional controls for cranes on tires on the front and supported on the rear **774**
 Additional controls for cranes supported on the front and on tires on the rear **774**
 Additional controls for cranes with crane support **773**
 Additional controls for cranes with derrick boom **774**
 Additional controls for cranes with luffing auxiliary boom / accessories **774**
 Additional controls for freestanding crane operation (on tires) **774**
 Additional emergency operating modes **407**
 Additional equipment **1513**
 Additional notes **3**
 Additional risks **134**
 Adjusting the circulating air / fresh air **1519**
 Adjusting the control parameters **521**
 Adjusting the crane operator's seat **503**
 Adjusting the derrick ballast **521**
 Adjusting the lubrication and break period **1663**
 Adjusting the parallel control of winch 1 and winch 2 **563**
 Adjusting the „lower“ / „upper“ air distribution **1521**
 Adjustment of reeving **525**
 Advance warning LMB / advance warning engine monitoring **399**
 After replacement of components **1590**
 Air filter **1649**
 Airplane warning light **1308, 1362, 1446**
 Airplane warning light * **929, 973**
 Alarm functions **383, 459, 1165**
 Alarm functions ballast trailer **461**
 Alarm functions General **459**
 Aligning the ballast trailer **1127**
 Aligning the crane **105**
 Aligning the hook blocks horizontally **563**
 Angle adjustment on the fixed lattice jib **790**
 Angle sensors **547**
 Angular pulling **625**
 Antifall guards on the crane **196**
 Applying the slewing gear brake **575**
 Areas **1689, 1842**
 Arrangement of intermediate sections **841**
 Arrangement of intermediate sections on the boom **839**
 Assembling / disassembling a 1350t hook block **1049**
 Assembling / disassembling a 630t hook block **1067**
 Assembling / disassembling auxiliary weights on the double hook block for parallel operation **1087**
 Assembling / disassembling auxiliary weights on the double hook block for single operation **1079**
 Assembling / disassembling the wedge lock **590**
 Assembling / disassembly of hydraulic lines **823**
 Assembling a 1350t hook block **1051**
 Assembling a 320t hook block **1063, 1077**
 Assembling a 420t hook block **1075**
 Assembling a 470t hook block **1061, 1073**
 Assembling a 560t hook block **1059, 1071**
 Assembling a 630t hook block **1057, 1069**
 Assembling a 815t hook block **1055**
 Assembling a 940t hook block **1053**
 Assembling platforms and railings **201**
 Assembling railings into position for assembly / disassembly **205**
 Assembling the assembly platform **211**
 Assembling the ballast frame on the wheel sets **1119**
 Assembling the ballast guy rods **1131**
 Assembling the catwalk / assembly platform in operating position **1291, 1341, 1403**
 Assembling the catwalk / assembly platform in transport position **1291, 1341**
 Assembling the catwalk / assembly platform in transport position **1403, 1505**
 Assembling the catwalk / assembly platform on the S-pivot section **1291, 1341**
 Assembling the crawler carrier **247**
 Assembling the D-boom **853**
 Assembling the D-guy rods **863**
 Assembling the D-intermediate section on the D-pivot section **859**
 Assembling the D-reducer section and the D-end section **861**
 Assembling the fixed lattice jib on the TF-adapter **787**
 Assembling the guide **1123**
 Assembling the guy rods **1365, 1449**
 Assembling the guy rods on the ballast pallet without a guide **1237**
 Assembling the ladders **199, 205**
 Assembling the load hook * **585**
 Assembling the pulley block on the D-end section **861**
 Assembling the railing on the S-pivot section **1291, 1341, 1402**
 Assembling the railings **205, 209**
 Assembling the S/SL-boom in flying mode **1305**
 Assembling the S/SL boom in flying mode - illustration 1 **1305**
 Assembling the S/SL boom in flying mode - illustration 2 **1305**
 Assembling the S-boom **1287, 1295**
 Assembling the S-intermediate sections in flying mode on the S-pivot section **1359**
 Assembling the S-intermediate sections on the S-pivot section **1351**

Assembling the S-lattice sections on the S-pivot section **1301**
 Assembling the SLD/SD-boom **1337, 1345**
 Assembling the SLD/SD-boom in flying mode **1355**
 Assembling the support legs **1117**
 Assembling the W-guy rods **921**
 Assembling the W-lattice jib **924**
 Assembling the W-lattice jib on the W-pivot section **925**
 Assembling winch 5 on the S-pivot section **1293, 1343**
 Assembly / disassembly **780**
 Assembly / disassembly of booms **782**
 Assembly / disassembly of boom systems for supporting on ascending terrain (assembly / disassembly schematic) **815**
 Assembly / disassembly of boom systems for supporting on descending terrain (assembly / disassembly schematic) **818**
 Assembly / disassembly of electrical lines **823**
 Assembly / disassembly of lattice sections for lattice mast cranes **805**
 Assembly / disassembly of lattice sections on telescopic cranes with guyed auxiliary boom with an auxiliary crane **793**
 Assembly / disassembly of lattice sections on telescopic cranes with self-supporting auxiliary boom, without an auxiliary crane **801**
 Assembly / disassembly of lattice sections on telescopic cranes with self-supporting auxiliary boom with an auxiliary crane **797**
 Assembly drawings **782**
 Assembly engine house **287**
 Assembly of boom systems on ascending terrain **815**
 Assembly of boom systems on descending terrain **818**
 Assembly of bridges **1431**
 Assembly of bridges „lateral“ **1431**
 Assembly of bridges „lengthwise“ **1435**
 Assembly of lattice sections **805**
 Assembly of lattice sections for guyed auxiliary boom with an auxiliary crane **793**
 Assembly of lattice sections on self-supporting auxiliary booms, without auxiliary crane **801**
 Assembly of lattice sections on self-supporting auxiliary boom with an auxiliary crane **797**
 Assembly of the derrick ballast guide and guy rods **1239**
 Assembly PD-boom **1401**
 Assembly prerequisites for boom nose(s) **997, 1019**
 Assembly procedure **305, 999, 1021**
 Assembly rope **69**
 Assembly SA-frame on turntable **291**
 Assembly turntable, front section **283**
 Assembly turntable, rear section **289**
 Assembly variations Pulley cart **1508**
 Assembly winch 1 **285**
 Assembly winch 2 **285**
 Attaching / removing the hoist limit switch weight **588**

Attaching and removing the load hook * **585**
 Attaching the hoist limit switch weight **588**
 Attaching the W-assembly unit to the S-boom **904**
 Attachment **1911**
 AUTO heating mode **1531**
 Auxiliary equipment **37**
 Auxiliary guying **777, 843**
 Auxiliary weight **65**
 Auxiliary weight crawler travel gear **43**

B

Ballasting **605, 1133, 1241**
 Ballasting on a base plate **607**
 Ballast pallet **61**
 Ballast pallet B **37**
 Ballast plate **63**
 Ballast trailer BW **38**
 Ballast trailer frame **63**
 Ballast trailer guide **63**
 Ballast trailer tires **1219, 1219**
 Ballast trailer tires and disk wheels **1219**
 Base plate counterweight **47**
 Basic principles and procedure **1742**
 Basket formation **1686, 1857**
 Batteries **1594**
 Battery maintenance **1677**
 Before starting to work **135**
 Bleeding by separate actuation of the grease pump **1629**
 Bleeding by simulating crawler operation **1627**
 Bleeding repaired lubrication lines **1629**
 Bleeding the central lubricating system **1665**
 Bleeding the central lubrication system **1627**
 Bleeding the heating system **1546**
 Blinker code - cycle control **1663**
 Block position of relapse cylinders when setting down the load **775**
 Block position relapse cylinders **1163**
 Boom **25**
 Boom components **839**
 Boom length **379**
 Boom limitation **383**
 Boom nose 120t **55, 1015**
 Boom nose 60t **38**
 Boom nose 62t **55, 991**
 Boom nose lattice boom **990**
 Boom systems **27, 37, 838**
 Breaking away fixed loads **627**
 Bringing the platform on the cross carrier into operating position **1421**
 Bringing the platform on the cross carrier into transport position **1495**
 Bring ladders and railings into assembly position **219**
 Bring ladders and railings into transport position **219**
 Broken strands **1683**
 Broken wire **1683**
 Broken wire nests **1851**

Broken wires in rope sections, which are not spooled up on the winch **1850**
 Broken wires in the strand valleys **1850**
 Broken wires on rope end connections **1850**
 Buckles **1688, 1860**
 Bypass at assembly and disassembly **822**
 Bypass for assembly and disassembly **821**
 Bypassing during crawler assembly **822**
 Bypassing the hoist top shut off **779**
 Bypassing the LICCON overload protection **778**
 Bypassing the overload protection **777, 778**
 Bypassing the PAT overload protection **779**
 Bypass of overload protection **531, 1734**
 Bypass of overload protection: Emergency situation (according to EN 13000:2010) **532**
 Bypass of overload protection: Failure of overload protection (according to EN 13000:2010) **532, 1737**
 Bypass of overload protection: Failure of the overload protection **531, 1737**
 Bypass of the hoist top shut off **707, 755**
 Bypass „Hoist top“ **409**

C

Calculation example **640**
 Calculation of required length of transfers in uphill / downhill slopes **639**
 Calling up the test system **1721**
 Camera monitoring **325**
 Carrying out erection procedures (assembly operation) **711, 759**
 Carrying out error diagnostics **1713**
 Carrying out take down procedures (assembly operation) **715, 763**
 Carrying out the tension procedure **1637**
 Case 1, illustration 1 **1163**
 Case 2, illustration 2 **1163**
 Case 3, illustration 3 **1163**
 CE marking **6**
 Center of gravity display **634**
 Central ballast **35**
 Central lubricating system in general **1665**
 Central lubricating system - slewing ring connection **1663**
 Central lubricating system - turntable **1661**
 Central lubrication system **1221, 1661**
 Central processing unit (CPU) **1731**
 Changes and updates for Operating instructions **1913**
 Changing from corrective steering to towing position and reverse **1153**
 Changing maximum winch speed **485**
 Changing oil on the miter gear **1621**
 Changing oil on the planetary gear **1623**
 Changing the maximum rotation speed of slewing gear **485**
 Changing the travel direction **661**
 Changing the wheel sets **1147, 1149**

Chart for determining the theoretically remaining service life **1837**
 Check bearings for easy movement **1682**
 Check for damage and cracks **1823**
 Check for wear and distortion **1689**
 Checking and accepting the new set up configuration and hoist rope reeving **519**
 Checking cylinder pressure with „jib stop extended to maximum limit“ **1889**
 Checking for broken strands **1846**
 Checking for corrosion **1690, 1853**
 Checking for flattenings **1691**
 Checking for leaks **1619**
 Checking for mechanical damage **1682**
 Checking for solid foreign substances **1830**
 Checking jib stop cylinder pressure **1889**
 Checking limit switch initiators for function **1877, 1879, 1881, 1883**
 Checking limit switch initiators on switch point „steepest position“ **1881**
 Checking load hooks for corrosion and wear **1869**
 Checking of rope diameter **1851**
 Checking oil level **1619**
 Checking the airplane warning light **1000, 1022**
 Checking the battery voltage **501**
 Checking the breather / vent filter **1653**
 Checking the central lubrication system **503**
 Checking the change over pulleys of the rope feed mechanism **1816**
 Checking the control rope for distortions **1691**
 Checking the coolant level **501**
 Checking the EMERGENCY STOP switch **1727**
 Checking the end of the service life **1871**
 Checking the fuel level **501**
 Checking the function of the safety devices **867, 973**
 Checking the function of the safety equipment **929**
 Checking the gas pressure and oil fill before operation **1823**
 Checking the general condition of the crane **503**
 Checking the groove diameter **1823, 1829**
 Checking the guy rods **1891**
 Checking the hoist limit switch on the pulley head **1000, 1022**
 Checking the horn **509**
 Checking the hydraulic hose lines within area of responsibility of the German employer's liability insurance associations **1658**
 Checking the instruments after starting the engine **513**
 Checking the instruments on LICCON monitor **513**
 Checking the length sensor values on the ballast trailer **1191**
 Checking the limit switch D-boom „Steepest position“ **867, 1362, 1446**
 Checking the limit switch main boom „steepest position“ **1362, 1446**
 Checking the limit switch S-boom „Steepest position“ **1000, 1022, 1309**
 Checking the load hook for distortion **1868**

- Checking the load hook for surface cracks **1868**
 Checking the load hook for wear **1868**
 Checking the lubrication **1689**
 Checking the oil level and filters **501**
 Checking the position **1690**
 Checking the retaining elements **771**
 Checking the rope drive for spooling problems **1690**
 Checking the ropes **771, 1688**
 Checking the ropes of the rope feed mechanism **1816**
 Checking the safety measures **106**
 Checking the wear on the connections of the track pads **1640**
 Checking the wear on the roll off surfaces of the track pads / track rollers **1643**
 Checking the wind speed sensor **1000, 1022**
 Checking wear on the track chain **1639**
 Check list for the inspection of ladders and steps **1897**
 Check of rope pretension on telescopic booms, illustration 1 **1820**
 Checks before starting to work with the crane **617**
 Checks before start up **501**
 Circular driving **1151, 1217**
 Cleaning **1593**
 Closing the end section **784**
 Closing the fixed lattice jib **789**
 Closing the main boom **1443**
 Closing the windows **90**
 Closing the W-lattice jib **926**
 Combined degree of severity **1861**
 Comparison **333**
 Component overview **23, 277**
 Component overview - Ballast pallet **1227**
 Component overview Crawler travel gear **237**
 Component overview - Derrick ballast **1225**
 Component overview of auxiliary weights **239**
 Component overview on D-pivot section **847**
 Component overview W-lattice jib / WA-frames **897**
 Components, weights **1105**
 Components and fastening points **847, 1281, 1333**
 Components of the system **1661, 1663**
 Components S-pivot section **1281, 1333**
 Connection schematic for emergency operation, illustration 2 **1583**
 Control elements - instrument panel I **313**
 Control elements - instrument panel II **317**
 Control elements on the control panels **1113**
 Control measures **772**
 Control release **545**
 Control ropes **69**
 Conversion chart **8**
 Conversion chart for wind force **113**
 Coolant Engine cooling **1649**
 Coolant system **1697**
 Corkscrew-like distortion **1686, 1856**
 Corrective steering **1157**
 Corrosion **1684**
 Counter-rotating the tracks to the left **667**
 Counter-rotating the tracks to the right **667**
 Counterweight **36, 47, 592**
 Counterweight and / or ballast **129**
 Counterweight combinations **595**
 Cracks and dents **1892**
 Crane **134**
 Crane assembly **235**
 Crane cab with incline adjustment **88**
 Crane cab with retractable / extendable step **87**
 Crane control **36**
 Crane documentation **3**
 Crane engine **495, 1647**
 Crane geometry and load information **369**
 Crane incline **413**
 Crane movement - Telescoping **618**
 Crane operation in case of thunderstorms **110**
 Crane operation with a load **128**
 Crane operation with derrick ballast **1173, 1249**
 Crane operator's cab **36**
 Crane operator responsibilities **92**
 Crane ropes **1682**
 Crane speeds **68**
 Crane start up and taking the crane out of service **500**
 Crane superstructure **35**
 Cranes with cam limit switch **772**
 Cranes with winch turn sensor **772**
 Crane utilization lattice mast cranes **225**
 Crane utilization telescopic cranes **225**
 Crawler carrier **43**
 Crawler carrier assembly **236**
 Crawler center section with turning device **43**
 Crawler operation with derrick ballast **1269**
 Crawler travel gear **23, 35**
 Cross carrier **43**
 Current checklist **1864**
 Current load **373**
 Customer information **1915**
 Cycle control **1663**
- ## D
- Damage on rope **1683**
 Danger of crushing **627**
 Danger of exceeding F1max assembly **719, 767**
 Danger of falling! **628**
 Dangerous conditions without shut off **775**
 Danger zone of crane **75**
 Data recording device **2**
 D-boom **846**
 Deactivating the LICCON overload protection for assembly **1345**
 Defective limit switch **1734**
 Defective power supply (NT) **1731**
 Defective sensors **1733**
 Defined ballast trailer operation **1171**
 Definition of directional data for crawler cranes **8**
 Definition of directional data for mobile cranes **8**
 Definition of „Checking“ **1587**

- Degree of severity **1845**
D-end section 9m **59**
Derrick ballast **25, 38**
Derrick ballast, weight and utilization **451**
Derrick ballast - Ballast trailer **1104**
Derrick ballast lifting heights with respect to the base of the crawler **1229, 1231**
Derrick ballast - Suspended ballast **1224**
Derrick ballast with guide **1231**
Derrick ballast without guide **1229**
Derrick boom angle **449**
Derrick boom D-system **37**
Derrick radii **1229**
Derrick relapse retainer **1879**
Descending from lattice sections or booms **85**
Description **1225**
Description of acoustic / visual warnings **675, 723**
Description of crane **21**
Description of intervals and tasks **1587**
Design of blinker code **1716**
Destined use **6, 131, 132**
Detaching the hoist rope **584, 587**
Determination of forces in operating mode with derrick ballast **1179, 1255**
Determining the effective operating hours T_i **1834**
Determining the number of broken wires **1847**
Determining the operating conditions (load spectrum) **1832**
Determining the used proportion of the theoretical service life **1834**
Diaphragm reservoir **1657**
Diesel engine **35, 1697**
Difference force monitoring of ballast guying **1193**
Differential force monitoring for derrick ballast-guying **1267**
Dimensions **1105**
Dimensions and weights **41, 279**
Dimensions of crawler travel gear with crane superstructure **41**
D-intermediate section 12m **59**
Disassemble the retaining frame on the W-connector head **957**
Disassembling a 1350t hook block **1051**
Disassembling a 320t hook block **1063, 1077**
Disassembling a 420t hook block **1075**
Disassembling a 470t hook block **1061, 1073**
Disassembling a 560t hook block **1059, 1071**
Disassembling a 630t hook block **1057, 1069**
Disassembling a 815t hook block **1055**
Disassembling a 940t hook block **1053**
Disassembling the ballast frame on the wheel sets **1211**
Disassembling the crawler carrier **265**
Disassembling the D-boom **877**
Disassembling the D-end section and the D-reducer section **889**
Disassembling the D-guy rods **883, 1199**
Disassembling the D-intermediate section **891**
Disassembling the guide **1207**
Disassembling the guide from the ballast frame **1207**
Disassembling the guy rods **1385, 1473**
Disassembling the main boom **1387**
Disassembling the pulley block **881**
Disassembling the pulley block and winch 3 **885**
Disassembling the S-boom **1329**
Disassembling the SLD/SD-boom **1377**
Disassembling the S-pivot section **1503**
Disassembling the WA-frames **964**
Disassembling the W-guy rods on the WA-frame 1 **949**
Disassembling the W-lattice jib on the W-pivot section **946**
Disassembly bridge „lateral“ **1483**
Disassembly of boom systems on ascending terrain **816**
Disassembly of boom systems on descending terrain **819**
Disassembly of bridges **1481**
Disassembly of bridges individually **1483**
Disassembly of bridges „lengthwise“ **1483**
Disassembly of engine house **299**
Disassembly of guy rods on ballast pallet **1277**
Disassembly of lattice sections **807**
Disassembly of lattice sections for guyed auxiliary boom with an auxiliary crane **795**
Disassembly of lattice sections on self-supporting auxiliary booms, without auxiliary crane **803**
Disassembly of lattice sections on self-supporting auxiliary boom with an auxiliary crane **799**
Disassembly of preassembled bridges **1487**
Disassembly of SA-frame on turntable **295**
Disassembly of the derrick ballast guide **1275**
Disassembly PD-boom **1465**
Disassembly turntable, front section **303**
Disassembly turntable, rear section **297**
Disassembly winch 1 **301**
Disassembly winch 2 **301**
Disconnecting the electrical connections on the crawler carriers **263**
Disconnecting the hydraulic connection **1635**
Disconnecting the hydraulic connections on the crawler carriers **263**
Display area of load chart values **347**
Disposal **1594**
Distortions and mechanical damage **1845**
Distribution of surface pressure **634**
Documentation Fall arrest systems and Height rescue system **84**
Documentation of inspection results **1843**
Documentation of rope condition **1689**
Documenting the completed inspection **1831**
Documenting the inspection **1873**
D-pivot section 9m **59**
D-reducer section 12m **59**
Drive **35**
Drive of ballast trailer **1167**
Driver's cab and crane cab **1593**
Driving **1161**

Driving from the crane operator's cab **630**
 Driving the crawler **659, 1269**
 Driving the crawler crane **649**
 Driving the crawler forward and backward **663**
 Driving two-engine cranes in low temperature application **224**
 Driving uphill / downhill **639**
 Driving with a load and / or Derrick ballast **636**
 Driving without a load and without derrick ballast **637**
 Driving with the ballast trailer **1161**
 Ductile deformation **1892**
 During crane operation **135**
 During operation **1663**
 Dynamic utilization bar **375**

E

Effects of heat, arcs **1688, 1861**
 Electrical system **36**
 Electrical system - Lighting **1677**
 Elongation **1892**
 Emergency exist crane cab **77**
 Emergency exit **76**
 Emergency exit - driver's cab **76**
 Emergency exit through front window **77**
 Emergency exit through the roof window **77**
 Emergency exit with EMERGENCY hammer * **78**
 Emergency operation **1213, 1549**
 Emergency operation - circular driving **1217**
 Emergency operation LICCON overload protection (according to EN 13000:2010) **407**
 Emergency operation LICCON overload protection (crane without CE mark) **407**
 Emergency operation of ballast trailer **1213**
 Emergency operation of slewing gear(s) with assembly plate Variation 1 (V1) **1561**
 Emergency operation of winch 4 (W IV) on the LR1600/2 and LR1600/2-W **1579**
 Emergency operation of winch 4 on the LR1600/2 and LR1600/2-W **1557, 1565**
 Emergency operation of winches, individual operation **1567**
 Emergency operation of winches, parallel operation winch 1II2 **1569**
 Emergency operation slewing gear(s) with assembly plate(s) Variation 2 (V2) **1575**
 Emergency operation - towing **1215**
 Emergency operation winch 4 (WIV) **1579**
 Emergency operation winches **1557**
 Emergency operation with assembly plate(s) Variation 2 (V2) **1565**
 Emergency operation with assembly plate Variation 1 (V1) **1555**
 Emergency stop (quick stop) **121**
 EMERGENCY STOP switch / EMERGENCY OFF switch **543**
 Emergency take-down **1548**
 Endangering air traffic **75**
 Ending crane operation **138**
 Ending emergency operation **1583**
 Ending the load lift to avert emergency situations **1737**
 End operation, no longer follow my instructions **121**
 Engine does not start **1727**
 Engine house with catwalk and cab **279**
 Engine monitoring **513**
 Engine monitoring icons **495**
 Engine oil **1647**
 Engine speed **551**
 Engine type QSK23 860 **35**
 Entering / exiting a swung crane superstructure **88**
 Entering / exiting of crane superstructure alignment length axis crane chassis **88**
 Enter the hook block weight **365**
 Equipment **769**
 Equipment and spare parts **7**
 Erecting the D-boom **869**
 Erecting the main boom **1373, 1455**
 Erecting the SA-frame **832**
 Erecting the wheel sets **1117**
 Erection **979, 1003, 1025**
 Erection / take down **824**
 Erection / take down for crawler cranes **825**
 Erection / take down for mobile cranes **825**
 Erection cart **55**
 Erection - continuation **981**
 Erection procedure **832, 873, 1315, 1373, 1461**
 Error diagnostics by phone **1722**
 Error diagnostics without the help of Liebherr Service **1714**
 Error diagnostics with the help of Liebherr Service **1722**
 Error message in the LICCON monitor **1714**
 Error messages **333**
 Error messages by the LICCON computer system **537**
 Error messages Crane engine **1715**
 Establishing the electrical connection from the ballast trailer to the turntable **1125**
 Establishing the electrical connection from the suspended ballast to the turntable **1243**
 Establishing the electrical connections to the SW-end section **929**
 Establishing the electrical connections to the W-pivot section **925**
 Establishing the hydraulic connection **1635**
 Establishing the hydraulic connection from the ballast trailer to the turntable **1125**
 Establishing the hydraulic connections **865, 1308, 1361, 1445, 1553**
 Establishing the hydraulic connections to the crawler carriers **255**
 Establishing the hydraulic connections to the winch **1557, 1567**
 Establishing the hydraulic connections to the winches **1571**
 Establishing the hydraulic connections to winch 4 (WIV) **1579**

Establishing the hydraulic connection to the slewing gears **1561, 1575**
 Establish the 24 volt power supply to the ballast trailer **1121**
 Establish the electrical connections to the crawler carriers **255**
 Evaluating oil color **1830**
 Even reduction of rope diameter **1851**
 Example **1835**
 Example for test points **1745**
 Examples of possible defects in hose lines **1658**
 Exceedance of maximum value test point 1 (force F1) in crane operation **703, 751**
 Exceedance of the maximum permissible load moment **699, 747**
 Exceeding the LICCON overload protection for assembly **853, 904, 1295**
 Exceeding the LICCON overload protection for disassembly **877**
 Exceeding the shut off limits of the LICCON overload protection **405**
 Exceeding the shut off limits of the LICCON overload protection during erection / take down procedures (assembly operation) **711, 759**
 Exhaust system **1593**
 Extending the boom **127**
 Extending the D-relapse cylinder **871**
 Extending the relapse cylinders of the main boom **1371, 1459**
 Extending the S-relapse cylinder **1313**
 External corrosion **1854**

F

F1-assembly maximum force **439**
 Failure of hydraulic, electric or engine **1731**
 Failure of sensor / limit switch **391**
 Failure of the overload protection **531**
 Fall protection equipment on counterweights **207**
 Fall protection equipment on the ballast trailer **219**
 Fall protection equipment on the boom pivot sections and on the lattice sections **209**
 Fall protection equipment on the crawler track **199**
 Fall protection equipment on the turntable **205**
 Fan / blower adjustment **1523**
 Fastening and hook points on the counterweights **207**
 Fastening device **134**
 Fastening points **897, 1393, 1893**
 Fastening points bridge (10.00 m) **1398**
 Fastening points bridge (4.00 m) **1397**
 Fastening points bridge (4.75 m) **1398**
 Fastening points Bridge lengthwise and bridge lateral preassembled **1399**
 Fastening points bridge „lateral“ **1397**
 Fastening points - cross bar **1396**
 Fastening points cross carrier **1394**
 Fastening points LI-intermediate section 12m 2621.10 **901**
 Fastening points LI-intermediate section 12m 2621.20 **900**
 Fastening points LI-intermediate section 12m 2621.8 **901**
 Fastening points LI-intermediate section 6m 2621.10 **901**
 Fastening points lower P-adapters **1394**
 Fastening points of Li-lattice sections **1285**
 Fastening points of S-lattice sections **1281**
 Fastening points on D-end section **847**
 Fastening points on D-intermediate section **847**
 Fastening points on D-pivot section **847**
 Fastening points on D-reducer section **847**
 Fastening points on Li-intermediate section 12m **1285, 1285, 1285**
 Fastening points on Li-intermediate section 6m **1285**
 Fastening points on S-adapter **1283, 1335**
 Fastening points on S-intermediate section **1283, 1335**
 Fastening points on S-intermediate section 6m **1281, 1333**
 Fastening points on S-intermediate section for winch 6 **1281, 1333**
 Fastening points on the D-lattice sections **847**
 Fastening points on the S-pivot section **1281, 1333**
 Fastening points Pulley cart **1508**
 Fastening points S-adapter **1396**
 Fastening points S-intermediate section 12m **1395**
 Fastening points S-intermediate section 6m **1395**
 Fastening points S-pivot section **1393**
 Fastening points SW-end section **902, 1397**
 Fastening points Transport unit 1 (T1) **898**
 Fastening points Transport unit 2 (T2) **898**
 Fastening points Transport unit 3 (T3) **899**
 Fastening points Transport unit 4 (T4) (T4 = T1 + T3) **899**
 Fastening points Transport unit 5 (T5) (T5 = T1 + T2 + T3) **900**
 Fastening points upper P-adapters **1395**
 Fastening points W-pivot section **900**
 Fastening positions for assembly / disassembly of the lattice jib **784**
 Fastenings points of the S-lattice sections **1333**
 Fastening the hoist rope **586**
 Fastening the load **621**
 Fastening the load hook * **585**
 Fast mode (Rapid gear) **409**
 Filling the fuel tank **501**
 Filling the grease container **1625, 1665**
 Filling the lubrication lines **1665**
 Fill quantities **1221, 1697**
 Fill quantities, lubrication schedule **1696**
 Fill quantities for ballast trailer **1221**
 Final tasks on the S-pivot section **1505**
 First aid measures after rescue **86**
 First inspection (first year) **1836**
 Flap of oscillating safety 2 on collision with mechanical relapse support 1 **1887**
 Flattening **1685**

Flattenings **1861**
 Flying assembly **1307**
 Flying assembly / disassembly of lattice sections **809**
 Flying assembly of lattice sections **809**
 Flying disassembly of lattice sections **811**
 Fold up ladder into transport position **205**
 Force distribution when driving on pressure distributor plates **653**
 Force F1 (Test point 1) between guying SA-frame - Derrick end section **1179, 1255**
 Force F4/5 (measuring point 4/5) guying derrick ballast - derrick head **1179, 1255**
 For cranes with pneumatic boom locking system **1818**
 For cranes with telescopic boom system Telematik **1818**
 Foreword to attachment **1912**
 Frame **35, 35**
 Friction corrosion **1855**
 Functional checks before lifting the derrick ballast **1243**
 Functional selection on the assembly plate **1555**
 Function check **999, 1022, 1308, 1361, 1445, 1665**
 Function check of limit switch initiators on the mechanical relapse retainer **1885**
 Function key line **469, 495**
 Function key line in the set up program **351**

G

General control measures before crane operation **773**
 General danger notes **1551**
 General information line **345**
 General operating elements **311**
 General safety technical guidelines **74**
 General safety technical notes for operation with ballast trailer **230**
 Gravity actuated relapse retainer **545**
 Greasing the slewing ring **1666**
 Grounding **107**
 Grounding the crane **107**
 Grounding the load **108**
 Ground pressure **67**
 Guiding crane sections, lattice sections or crane components **782**
 Guiding the load **627**
 Guying the pivot section in flying mode with the derrick boom **813**
 Guying the pivot section in flying mode with the SA-frame **811**
 Guy rods **776**
 Guy ropes **69**

H

Handling of assembly plates **1553**
 Hand signals **120**
 Hand signals for guidance **119**

Heated crane components **92**
 Heater / engine pre-heating **1514**
 Heating the crane cab **1515**
 Heavy duty jib WV **37**
 Height dependent wind speeds according to EN 13000:2010 **114**
 Hoist gear **1669**
 Hoist gear, hoist rope **129**
 Hoist gear brake **1671**
 Hoist limit switch **930, 975, 1308, 1362, 1446**
 Hoist limit switch „Hoist top“ **537**
 Hoist ropes **68**
 Hoist top limit switch HES1 **393**
 Hoist top limit switch HES2 and HES3 **395**
 Holding the luffing lattice jib **787**
 Hook block 125DM **65**
 Hook block 1350DMZ **65**
 Hook block 1350t **1047, 1051**
 Hook block 200DM **65**
 Hook block 320t **1063, 1077**
 Hook block 420t **1075**
 Hook block 470t **1061, 1073**
 Hook block 560t **1059, 1071**
 Hook block 630t **1057, 1065, 1069**
 Hook block 815t **1055**
 Hook block 940t **1053**
 Hook blocks **1044**
 Hook the hoist rope on the rope lock **583**
 Hook with cross brace 630t, illustration 1 **1067**
 Hook with traverse 320DZ **67**
 Hook with traverse 630DZ **67**
 Horizontal movements **123**
 Hydraulic assembly cylinder **38**
 Hydraulic assembly support **38**
 Hydraulic connection tension cylinder **1635**
 Hydraulic hose lines **1219, 1657**
 Hydraulic oil level **1101**
 Hydraulic safety valves **545**
 Hydraulic system **1653, 1698**
 Hydraulic tank **1653**

I

Identification of protective equipment **81**
 Identification of sliding beam **185**
 Identifications on auxiliary weights **193**
 Identifications on auxiliary weights at delivery **194**
 Identifications on auxiliary weights for reorder **194**
 Identifications on single hook or double hook **192**
 Identifications on the hook block or load hooks **191**
 Identification Track width retracted **186**
 Illustration **1879**
 Illustration overview - winches **1669**
 Importance of inspection **1841**
 Improper mechanical damage **1861**
 In case of a problem **1663**
 Inching gear or very slow movement **121**
 Increasing the hook block - hook block weight **223**
 Individual assembly of bridges **1431**

- Input window hook block weight **363**
 Inspecting and monitoring the load hook **1867**
 Inspecting ladders **1895**
 Inspecting the function of the overload protection **1824**
 Inspecting the gear brakes **1830**
 Inspecting the hoist and retracting winches **1828, 1829**
 Inspecting the hydraulic hose lines for damage **1872**
 Inspecting the hydraulic hose lines for leaks **1873**
 Inspecting the roller slewing ring connection **1824**
 Inspection **1891**
 Inspection and replacement of retaining ropes **217**
 Inspection before operation **132**
 Inspection chart for cranes **1900**
 Inspection chart for recurring inspections of Liebherr cranes **1901**
 Inspection form for the inspection of ladders and steps **1896**
 Inspection intervals **1829, 1867, 1871, 1891, 1895**
 Inspection of accumulator pressure in relapse cylinder **1888**
 Inspection of carrying crane structures, especially steel structures **1742**
 Inspection of change over pulleys, illustration 2 **1826**
 Inspection of crane wire ropes **1840**
 Inspection of extension conditions of sliding beams **1824**
 Inspection of guy rods **1890**
 Inspection of hydraulic hose lines **1870**
 Inspection of ladders **1894**
 Inspection of lattice sections **1815**
 Inspection of load hooks **1866**
 Inspection of locking system of telescopic boom **1818**
 Inspection of membrane accumulator **1822**
 Inspection of relapse cylinders **1822**
 Inspection of rope pretension on lattice sections, illustration 2 **1822**
 Inspection of rope pulleys **1823**
 Inspection of safety ropes and anchor points **217, 1820**
 Inspection of safety switching on the relapse supports **1876**
 Inspection of the auxiliary reeving winch, recovery winch and spare wheel winch **1826**
 Inspection of the mounting of the load bearing equipment **1824**
 Inspection of the oil and fuel reservoirs **1826**
 Inspection of the rope feed mechanism in the telescopic boom **1816**
 Inspection of the safety controls on the relapse cylinders **1823**
 Inspection of the tele extension with eccentric, illustration 1 **1826**
 Inspection of tires and disk wheels **232**
 Inspection sheet and check list **1895**
 Inspections of cranes **1739**
 Installation of preassembled bridges **1437**
 Installing preassembled bridges **1439**
 Installing the assembly platform in operating position **211**
 Installing the assembly platform in transport position **211**
 Installing the assembly rope(s) on the WA-frame 2 **915**
 Installing the auxiliary guying **843, 927**
 Installing the auxiliary weights **257, 1079, 1087, 1093**
 Installing the auxiliary weights on the single pulley blocks **1093**
 Installing the ballast pallet **1235**
 Installing the base plate **603**
 Installing the battery **1679**
 Installing the carrier for the rod placement **1441, 1471**
 Installing the catwalk / assembly platform **1402**
 Installing the crawler carrier with the auxiliary crane **247, 249**
 Installing the crawler carrier with the SA-frame **251, 253**
 Installing the crawler travel gear **241**
 Installing the cross beam **1425**
 Installing the cross carrier **245, 1419**
 Installing the guide on the ballast frame **1123**
 Installing the lattice sections of the PD-boom **1407**
 Installing the lattice sections on the cross beam **1429**
 Installing the lower P-adapters **1415**
 Installing the pipes in position for assembly / disassembly **205**
 Installing the pipes in transport position **205**
 Installing the pulley set **1043**
 Installing the railings in operating position **209**
 Installing the railings in transport position **209, 1505**
 Installing the retaining frame on the W-connector head **909**
 Installing the S-intermediate sections parallel on the cross carrier **1423**
 Installing the S-pivot section **1411**
 Installing the steps **203**
 Installing the support plate **1121**
 Installing the upper P-adapters **1425**
 Installing the upper pulley block on the cross carrier **1443**
 Installing the wedge lock **591**
 Installing winch 5 in operating position **1405**
 Installing winch 5 in transport position **1505**
 Instructions for resuming crane movements for cranes with CE mark **673**
 Instructions for resuming crane movements for cranes without CE mark **721**
 Insulation (sound insulation) **1593**
 Intermediate lubrication **1665**
 Intermediate lubrication of crawler carriers **1629**
 Internal corrosion **1855**
 Interrupting crane operation **135**
 Interruption of crane operation. **223**
 Intervals **1689, 1841**

J

Job planning **72**

K

Key button „Ballast trailer lifted off“ **1169**
 Kinking, rope loops (grommets) pulled closed **1687**
 Kinking or rope loops pulled closed **1859**

L

Labeling of load lifting equipment **190**
 Ladder access **146**
 Ladder inspection **145**
 Ladders **140, 1594**
 Ladder safeguards **146**
 Lattice mast boom **1681**
 LD/SLD/SD-boom combination **1332**
 Leaning (extension) ladder **149**
 Leaning (extension) ladder with transition **151**
 Legal prerequisites **131**
 Leveling instrument in the BTT **535**
 Leveling instruments **535**
 Leveling instruments in the LICCON monitor **535**
 LICCON computer system **330, 529, 557**
 LICCON computer system after engine start **517**
 LICCON computer system boot up **335**
 LICCON computer system in stand-by mode **497**
 LICCON job planner **103**
 LICCON monitor **1729**
 LICCON monitor 0 **337**
 LICCON monitor 1 **337**
 LICCON overload protection **529, 1173, 1249**
 Liebherr Service **1591**
 Lifting, illustration 1 **527**
 Lifting / lowering **559**
 Lifting / lowering a load with even speed **122**
 Lifting above ground level, illustration 2A **527**
 Lifting a load with two cranes **117**
 Lifting below ground, illustration 3 **527**
 Lifting of personnel **131**
 Lifting slowly **122**
 Lifting the ballast trailer with the support cylinders **1151, 1153, 1155, 1159**
 Lifting the boom **126**
 Lifting the boom and lower the load at the same time **128**
 Lifting the derrick ballast off the ground **1135, 1245**
 Lifting the load **625**
 Lifting the W-lattice jib from the pulley cart **943**
 Lifting with auxiliary winch **126**
 Lifting with main winch **126**
 Lift the W-lattice jib from the pulley cart **1511**
 Light and / or heavy work **147**
 LI-intermediate section 12m, 2621.10 **55**
 LI-intermediate section 12m, 2621.20 **53**
 LI-intermediate section 12m, 2621.8 **55**
 LI-intermediate section 6m, 2621.20 **53**

Limit sign auxiliary boom / accessory **387**
 Limit signs main boom **383**
 Limit switch, general **930**
 Limit switch Boom system **547**
 Limit switch flap in position W-lattice jib „steepest“ position, mechanical relapse support **931, 975**
 Limit switch - General **975**
 Limit switch winch spooled out **539**
 Limit switch W-lattice jib, „lowest“ position, relapse cylinder **931, 975**
 Limit switch W-lattice jib, „steepest“ position, relapse cylinder **931, 975**
 LMB STOP / Engine monitoring STOP **401**
 Load bearing crane structures **225**
 Load display **527**
 Load handling equipment **67**
 Loading the preassembled lattice jib **790**
 Load min / max **475**
 Load spectrum class: Heavy L3 **1833**
 Load spectrum class: Light L1 **1832**
 Load spectrum class: Medium L2 **1833**
 Load spectrum class: Very heavy L4 **1834**
 Load take up on high rise, illustration 2B **527**
 Load take up with cross bar **623**
 Load weighing **525**
 Load weighing and load display **523**
 Localized increase of rope diameter **1684**
 Localized increases of rope diameter **1853**
 Localized reduction of rope diameter **1852**
 Locking **1141**
 Locking the engine rpm **551**
 Long WA-frames **900**
 Loop formation **1687, 1858**
 Lowering slowly **123**
 Lowering the ballast trailer with the support cylinders **1151, 1153, 1155, 1159**
 Lowering the boom **127**
 Lowering the boom and lift the load at the same time **128**
 Lowering the hook block **584, 1045**
 Lowering the hook block if slack rope forms **1045**
 Lowering the load hook **587**
 Lowering the load while stationary **123**
 Lubricating the pin bores on the lattice sections and guy rods **1681**
 Lubricating the rope **1692**
 Lubrication and service items **225, 228**
 Lubrication schedule **1223, 1698**
 Lubrication schedule Ballast trailer **1223**
 Luffing **567**
 Luffing down **989**
 Luffing in with suspended load **697, 745**
 Luffing lattice jib W-system **37**
 Luffing the boom down **987, 1011, 1033, 1045**
 Luffing the boom during S/SL/SD/SLD/SDWV(B/BW) operation **567**
 Luffing the boom during SDW/(B/BW) operation **567**
 Luffing the boom in SW2-operation **567**
 Luffing the D-boom down **879**

Luffing the derrick, for all D-operating modes **569**
 Luffing the lattice jib during SDWV/(B/BW) operation **569**
 Luffing the lattice jib during SW2/SDW/(B/BW) operation **569**

M

Machine house with catwalk and cab **45**
 Machine related movements **126**
 Main boom P-system **37**
 Main boom S-system **37**
 Maintenance intervals - Crane superstructure **1604**
 Maintenance **1219**
 Maintenance and inspection schedule **1597, 1601, 1605, 1613**
 Maintenance and service - General **1586**
 Maintenance guidelines - Crane boom **1680**
 Maintenance guidelines - Crane chassis **1616**
 Maintenance guidelines - Crane superstructure **1646**
 Maintenance intervals **1587**
 Maintenance intervals ballast trailer **1600**
 Maintenance intervals - Crane boom **1612**
 Maintenance intervals Crawler chassis **1596**
 Maintenance intervals for the ballast trailer **1217**
 Maintenance of hose lines **1658**
 Making adjustments semi-automatically in the „Air conditioning settings“ menu **1535**
 Manual adjustments in the „Air conditioning settings“ menu **1535**
 Manual heating mode **1527**
 Manual operation for assembly **1159**
 Manual rope winches for assembly support of components **776**
 Maximum load **371**
 Maximum load according to load chart and reeving **333**
 Maximum permissible boom length - illustration 6 **1355**
 Maximum permissible boom length - illustration 7 **1357**
 Maximum permissible ground unevenness **1165**
 Measurement of wind speed **112**
 Measures and notices for maintenance **225, 228**
 Measures before crane operation **221, 227**
 Measures for crane operation **223, 227**
 Measures for defective components **1731**
 Measures in clear problem cases **1725**
 Mechanical auxiliary support **38, 43, 304**
 Minimum / maximum support forces **690, 738**
 Mixing battery acid **1678**
 Monitored auxiliary functions for crane operation **411**
 Monitoring function reports a problem **1725**
 Monitoring of crane movement **683, 731**
 Monitoring of maximum load on the LICCON monitor 0 **1183, 1259**
 Monitoring of minimum force F1 **1181, 1257**
 Monitoring of relapse cylinders **421**

Monitoring of test point 1-operational maximum force (= F1 max operation) **1183, 1259**
 Monitor with keypad **327**
 Monitor with rotary selection switch **325**
 Movement on the crane **76**
 Moving / swinging in specified direction **123**
 Moving away from me **124**
 Moving both track chains **124**
 Moving one track chain **125**
 Moving the support cylinders in **1129**
 Moving toward me **124**

N

Negative longitudinal incline (illustration 4 to 6) **645**
 No load chart is available **405**
 Non-destined use **6**
 Non-rotation resistant ropes and their rope end connections **1844**
 Note for assembly aid **159**
 Notes to change the wheel sets **1149**
 Notice sign regarding vehicle height **158**
 Notice Weight sliding beams **187**

O

Obligations of the crane operator **93**
 Oil and lubricant analysis **1592**
 Opening the end section **786**
 Opening the main boom **1476**
 Opening the roof window **509**
 Opening the W-lattice jib **944**
 Operating and control instruments **311**
 Operating and control instruments on the crane superstructure **310**
 Operating elements for the crawler operation **655**
 Operating elements machine house **329**
 Operating elements of the LICCON computer system on monitor 0 **339**
 Operating elements of the LICCON computer system on monitor 1 **435**
 Operating elements on control panel **321**
 Operating elements power aggregate **329**
 Operating errors: Did an alarm function occur? **1729**
 Operating errors in the set up program **359**
 Operating mode preselection on the LICCON computer system **335**
 Operating modes with derrick boom **439**
 Operating modes without derrick boom **439**
 Operating the air conditioning system **1525**
 Operating the crane **1317, 1375, 1463**
 Operating the engine-independent auxiliary heater **1537**
 Operating the touch display **1517**
 Operating the windshield washer system **509**
 Operating the windshield wiper **509**
 Operating the windshield wiper / windshield washer system **509**
 Operational transverse pressure **1862**

Operation of crane superstructure **309**
 Operation with winch 6 in individual operation of winch 1 + 2 **561**
 Operation with winch 6 with turned on parallel operation of winch 1 II 2 **561**
 Optimizing measures for travel route **633**
 Optional equipment and functions **8**
 Oscillation guard **930, 973**
 Other operating elements **431**
 Overflow container **1669**
 Overload monitoring in operating mode with derrick ballast **1183, 1259**
 Overload protection (LMB) **333**
 Overview load chart for cranes with CE mark **673**
 Overview load chart for cranes without CE mark **721**
 Overview of acoustic / visual warnings for cranes with CE mark **675**
 Overview of acoustic / visual warnings for cranes without CE mark **723**
 Overview of displays and component groups for error diagnostics **1711**
 Overview of error messages - crane engine **1716**

P

Paint / coating **1892**
 Parallel driving **1155**
 Parallel operation **563, 565**
 Parking the mobile crane **139**
 PD - boom combination **1392**
 Pedal carrier **655**
 Periodic crane inspections **1740**
 Permissible ballast assemblies **605**
 Permissible ground pressures **101**
 Permitted ground pressure for crawler cranes **101**
 Permitted ground pressure for mobile cranes **102**
 Personal protective equipment **79, 197, 1682, 1841**
 Personnel **1588**
 Personnel and qualification **133**
 Pin and unpin the pin with the pin pulling cylinder 2 **1101**
 Pin and unpin the pin with the pin pulling cylinder 3 **1103**
 Pin connections **782**
 Pinning and unpinning with pin pulling device **1099**
 Pinning or unpinning pins **1101, 1103**
 Pinning the D-pivot section on the turntable **855**
 Pinning the guide on the turntable **1125**
 Pinning the relapse support on the relapse cylinder **955**
 Pinning the relapse supports on the S-boom and pinning in operating position **919**
 Pinning the S-pivot section on the turntable **1297, 1347**
 Pinning the upper pulley block on the S-pivot section **1349, 1413, 1496**
 Pinning the upper pulley block with the lower pulley block **881**
 Pinning the WA-frame 2 guy rods **915**
 Pinning the WA-frames on the W-connector head **906**
 Pinning the W-pivot section **924**
 Pin procedure **1127**
 Pin pulling device **38, 1098**
 Placing down the erection racks **1279**
 Placing the boom down **938, 939**
 Placing the hoist / control ropes **771**
 Placing the lattice jib into the pulley cart **785**
 Placing the main boom down **1379, 1467**
 Placing the relapse support on the ground **912**
 Placing the SA-frame onto the turntable **834**
 Placing the WA-frames down **953**
 Placing the W-guy rods down on the lattice sections **943**
 Placing the W-lattice jib in the pulley cart and tension the W-guying **927**
 Placing the W-lattice jib into the pulley cart **1509**
 Planning Crane operation **73**
 Platform ladder **153**
 Pneumatic springs for assembly support of components **775**
 Positive longitudinal incline (illustration 1 to 3) **643**
 Possible combinations of the hook block 1350t **1047**
 Possible combinations of the hook block 630t **1065**
 Possible engine monitoring advance warning, warning and STOP events **491**
 Possible weighing errors **525**
 Power Plus **553**
 Pre-adjustments **1249**
 Preassembling the bridge „lengthwise“ and bridge „lateral“ **1437**
 Preface **2, 1913**
 Preheating hydraulic cylinders / hydraulic system on lattice mast cranes **222**
 Preheating hydraulic cylinders / hydraulic system on telescopic cranes **222**
 Preparatory work **1101, 1103**
 Preparing for crane operation **1317, 1375, 1463**
 Preparing for the installation of the crawler carriers with SA-frame **251**
 Preparing for the installation of the crawler carrier with the auxiliary crane **247**
 Preparing for the removal of the crawler carriers **271**
 Preparing for the removal of the crawler carriers with the auxiliary crane **265**
 Preparing the hook block **582**
 Preparing the WA-frames for assembly **905**
 Preparing the WA-frames for transport **963**
 Prerequisites **133**
 Prerequisites for crane equipment and accessories **132**
 Prerequisites for driving / moving crawler cranes (crawler operation) **631**
 Prerequisites for driving on uphill / downhill slopes with boom angle adjustment **643**
 Prerequisites for driving on uphill / downhill slopes without boom angle adjustment **647**

Prerequisites for driving under observation of the boom position **640**
 Prerequisites for driving with a load and / or derrick ballast **636**
 Prerequisites for driving without a load and without derrick ballast **638**
 Prerequisites for emergency operation **1553**
 Prerequisites for lifting of personnel **131**
 Prerequisites for operation with lifting cage (cherry picker) **132**
 Presettings **1173**
 Pressure filter in the crane hydraulic **1657**
 Pressure monitoring in extension cylinder **1161**
 Pressure monitoring in the relapse cylinders **541**
 Pressure test of relapse cylinders **1822**
 Pretension pressures of pressure accumulators **225**
 Preventing fires **1589**
 Priority acoustic signal **403, 479**
 Problems in electrical connections of the crane **1721**
 Problems on pipes / hoses **1721**
 Problems on the mechanics / components of the crane **1721**
 Procedure **1583**
 Procedure for fogged windows **1535**
 Procedure for shut off of crane movements **668**
 Procedure in case of error messages - crane engine **1716**
 Procedure in case of problems **1708**
 Procedure in case of slack rope **1045**
 Procedure to follow in case of a problem **1709**
 Product description **34**
 Programming the auxiliary heater **1545**
 Protecting from aggressive environmental conditions **1590**
 Protecting from burns **1589**
 Protecting from scalding **1589**
 Protruding, distorted inlay, braiding **1687**
 Protruding, distorted insert or strand **1857**
 PSAGa, rescue equipment and tools **133**
 Pull cylinder on block **1179, 1255**
 Pulley block **67, 67**
 Pulley cart **1506**
 Pulley head height **381**
 Pulley set 675t **51, 1038**
 Pump distributor gear **1651**

Q

Qualification Inspection personnel **1841**
 Qualification Maintenance personnel **1683**
 Quick test Crane geometry **529**
 Quick test EMERGENCY STOP switch / EMERGENCY OFF switch **543**
 Quick test Hoist limit switch **537**
 Quick test Leveling instrument **535**
 Quick test Limit switch winch **541**
 Quick test Overload protection **529**
 Quick test Wind speed sensor **539**

R

Radii **1107, 1109**
 Radius **377**
 Ram work or pulling sheet piles **628**
 Recharging the battery **1679**
 Reducing hoist ropes - rope / strand pull **223**
 Reduction of rope diameter **1683**
 Reeving in the hoist rope with the assembly winch **579**
 Reeving in the hook block **582, 1315, 1373, 1461**
 Reeving the hoist rope **578**
 Reeving the hook block in and out **581**
 Reeving the W-control rope on the WA-frames **913**
 Reeving winch **36**
 Relapse cylinder **1163**
 Releasing the counterweight **611**
 Releasing the engine rpm lock **551**
 Remedying temporary errors during system start **1725**
 Remote diagnostics * **1722**
 Removal criteria Overview **1845**
 Removing and recharging the battery **1678**
 Removing broken wires **1692**
 Removing the auxiliary guying **942**
 Removing the auxiliary weights **261, 1083, 1089, 1095**
 Removing the ballast **1197**
 Removing the ballast plates **1273**
 Removing the base plate **615**
 Removing the battery **1679**
 Removing the boom nose **1013, 1037**
 Removing the carrier for the rod placement **1453, 1475**
 Removing the counterweight plates **613**
 Removing the crawler carriers with the SA-frame **269, 273**
 Removing the crawler carrier with the auxiliary crane **265, 267**
 Removing the crawler travel gear **259**
 Removing the cross beam **1488**
 Removing the cross carrier **1495**
 Removing the cross carriers **275**
 Removing the hoist limit switch weight **589**
 Removing the hoist ropes **942**
 Removing the lattice sections of the PD-boom **1488**
 Removing the lattice sections on the cross beam **1479**
 Removing the load hook * **587**
 Removing the lower P-adapters **1499**
 Removing the S-intermediate sections on the cross carrier **1493**
 Removing the support plate **1209**
 Removing the upper P-adapters **1490**
 Removing the upper pulley block on the cross carrier **1478**
 Removing the upper pulley block on the S-pivot section **1421**
 Removing the wedge lock **591**

- Renewing the pretension of hoist ropes **1694**
 Repair welds **1744**
 Replacing a defective fuse **1733**
 Replacing damaged crane components **1590**
 Replacing hydraulic hose lines **1873**
 Replacing retaining ropes subjected by a fall **217**
 Replacing the hose lines **1659**
 Required auxiliary equipment * **221**
 Requirements for monitoring the winches **1831**
 Rescue **134**
 Rescuing the assembly personnel **86**
 Resetting the auxiliary heater programming **1546**
 Resuming crane operation **138**
 Retaining ropes on the lattice sections **215**
 Retaining ropes on the S- and D-pivot section **213**
 Retaining the engine monitoring screen **493**
 Retracting the boom **127**
 Retracting the D-relapse cylinder **885**
 Return filter **1655**
 Rigging and fastening points **91**
 Rigging the guy rods on lattice booms on placed down boom system **826**
 Rope end connections **577**
 Rope pulleys **771**
 Rope pulleys and guide pulleys **1682**
 Rope pulleys and hydraulic cylinders **225**
 Rope reeving **576, 591**
 Ropes **68**
 Rotating parts **1590**
 Rotation resistant ropes **1849**
 Rotation-resistant ropes and their rope end connections **1843**
- S**
- S/SL-boom **1280**
 S/W-end section 1.5m, 1350t **51**
 S-adapter 12m **51**
 Safe and problem-free operation **1682**
 Safety **71**
 Safety and warning notes **2**
 Safety bar **89**
 Safety devices on the crane **535**
 Safety equipment **528**
 Safety guidelines for travel operation **1163**
 Safety guidelines in case of external power supply **107**
 Safety signs **141**
 Safety systems **7, 36**
 Safety technical instructions for working with a load **617**
 Safety technical notes for assembly and disassembly **770**
 SA-frame **830, 831**
 S - boom combination **27**
 S-boom relapse retainer **1877**
 Scattered occurring broken wires **1847**
 SDB/SDB2 - boom combination **29**
 SDBW - boom combination **29**
 SDWB/SDWB2 - boom combination **31**
 SDWBW - boom combination **31**
 SDWVB/SDWB2 - boom combination **33**
 SDWVBW - boom combination **33**
 Second inspection (second year) **1836**
 Securing against falls **1588**
 Securing against operation **1588**
 Securing personnel on shut off crane **132**
 Securing persons to prevent them from falling **84**
 Securing the counterweight **609**
 Selecting the operating site **94**
 Selecting the travel speed **657**
 Service and maintenance **1585**
 Service fluids and lubricants **1700**
 Service items and lubricants **1594**
 Servicing the central lubrication system of the crawler carrier **1625**
 Servicing the track chain **1633**
 Servicing the travel gear **1617**
 Servo oil pressure monitoring in the winches **541**
 Setting a new hoist rope reeving **519**
 Setting a new set up configuration and new hoist rope reeving **519**
 Setting a new set up configuration with short code **519**
 Setting a new set up configuration with the function keys **519**
 Setting down the ballast pallet **1271**
 Setting the axles **1159**
 Setting the axles to circular driving position **1151**
 Setting the axles to parallel position **1155**
 Setting the axles to towing position **1153**
 Setting the ballast pallet in the assembly position **1235**
 Setting the ballast trailer radii **1139**
 Setting the cab to horizontal position **507**
 Setting the lubrication and break periods **1661**
 Setting the operating mode and set up configuration **343**
 Setting the operating mode and set up configuration via the 4-digit short code **343**
 Setting the operating mode and set up configuration via the function keys **343**
 Setting the wheel sets to circular driving **1217**
 Setting the wheel sets to towing **1215**
 Setting up the erection racks **1235**
 Set up program areas **345**
 Short description of assembly procedure **281, 1115**
 Short description of disassembly procedure **293, 1195**
 Shortening the rope **1694**
 Shorting the intervals **1861**
 Short WA-frames **899**
 Showing the horizontal distance **125**
 Showing the vertical distance **122**
 Shut off due to error message **690, 738**
 Shut off hoist top **689, 737**
 Shut off luffing the auxiliary boom / accessory up / down **685, 733**

Shut off luffing the main boom up / down **684, 732**
 Shut off maximum / minimum value test point 1 (force F1) **687, 735**
 Shut off maximum value F1 in crane operation **687, 687, 735, 735**
 Shut off of crane movement: LMB STOP by LICCON overload protection **693, 741**
 Shut off spooling the winch up / out **688, 736**
 Signs **157**
 Signs on the crane **156**
 Single layer and parallel roped ropes **1848**
 S-intermediate section 12m, 3227.20 **51**
 S-intermediate section 12m, 3227.30 **49, 49**
 S-intermediate section 6m, 3227.20 **51**
 S-intermediate section 6m, 3227.30 **49**
 SL(H) - boom combination **27**
 SL - boom combination **27**
 SLDB/SLDB2 - boom combination **29**
 SLDBW - boom combination **29**
 Slewing gear **36, 1219, 1677**
 Slewing gear, general **573**
 Slewing range **419**
 Slewing ring connection **1666**
 Slip-resistant mats **1593**
 Slopes and ditches **98**
 Special functions **405**
 Specified service items and lubricants for Liebherr cranes **1701**
 Spinning out by turning out the hook block **1693**
 Spinning out with single strand reeving **1693**
 S-pivot section 10.5m for S-operating modes **49**
 S-pivot section 10.5m reinforced, for S-operating modes and P-operating modes **49**
 Spooling op loose hoist rope **1045**
 Spooling the winches out **1571**
 Spooling the winches up **1573**
 Spooling the winch out **1559, 1567, 1581**
 Spooling the winch up **1559, 1569, 1581**
 Stability and tipping safety for ballast trailer not assembled on the turntable **1111**
 Stand-by mode **557**
 Starting and stopping the engine **511**
 Starting LICCON computer system in stand-by mode **497**
 Starting operation, follow my instructions **120**
 Starting out in strong side wind **575**
 Starting the engine **511**
 Starting the input window hook block weight **363**
 Starting the program **481, 489**
 Start prevention **499**
 Start the emergency operation aggregate **1555, 1565**
 Steering ability **635**
 Steering and corrective steering the axles **1157**
 Steering programs **1147**
 Steering the crane **667**
 Steering the tracks to the left **667**
 Steering the tracks to the right **667**
 Stepladder **148**
 Stop (normal stop) **120**

Stopping the slewing movement in strong side wind **575**
 Suitable distribution of surface pressure **635**
 Supplied fall arrest system (safety harness and height safety equipment) **82**
 Support **103**
 Supporting the ballast trailer **1201**
 Supporting the boom before erection **1457**
 Supporting the crane **103**
 Supporting the crane with variable support **104**
 Supporting the crawler center section **243, 275**
 Support plate **63**
 Support the ballast trailer with the support cylinder **1121**
 Surface pressures and force distribution when driving the crane **651**
 Surface pressures in case of wind load on boom **651**
 Suspended ballast guide end section **61**
 Suspended ballast guide intermediate section **61**
 Suspended ballast guide pivot section **61**
 Suspended load fastening point **162, 163, 163**
 Suspension backrest * **505**
 SW/SDW boom combination **896**
 SW2 - boom combinations **31**
 Switch for crawler operation **655**
 Switching back to the crane operation program **487**
 Switching the slewing gear to coasting **575**

T

Take down procedure **834**
 Taking an oil sample **1592**
 Taking on a load **621**
 Taking over the previously selected set up configuration and hoist rope reeving **517**
 Taking the S-boom down **1323**
 Technical data **40**
 Technical safety instructions **1587**
 Telescopic boom distortion because of sunshine on one side **618**
 Telescoping from R 15m to R 25m, illustration 1-3 **1145**
 Telescoping from R 20m to R 30m, illustration 4-6 **1145**
 Telescoping the ballast trailer guide out and in **1143**
 Temperature operating limits **1683**
 Tensioning the track chain **1633**
 Terminology **22**
 Terms and abbreviations **132**
 Test brackets (KMD = force test box) **547**
 Testing cylinder pressure with „jib stop in test position“ **1889**
 Test point 1 = F1 **437**
 Test point 1 = F1 / icon description **441**
 Test point 2 = F2 and test point 3 = F3 **447**
 The Control parameter program **481**
 The crane engine is running. **557**
 The crane operation program on monitor 0 **369**
 The crane operation program on monitor 1 **437**

The engine does not start? **1727**
 The Engine monitoring program **489**
 The function key line in the Crane operation program **427**
 The LICCON monitor remains dark **1733**
 Theoretical service life **1831**
 The set up program **343**
 The touch display remains dark **1733**
 The „Air conditioning settings“ menu **1515**
 Third inspection (third year) **1836**
 Tilting the cab upward **507**
 Tilting the crane cab **507**
 Tilt play of roller ring connection **1666**
 Tires foamed with special foam **233**
 Tires with air inflation **232**
 Towing **1153, 1215**
 Tracks **35**
 Traffic endangerment and environmental damage **75**
 Transfer (between two cranes or two hooks) **125**
 Transmission **1698**
 Transporting components **775**
 Transporting lattice sections **775**
 Transporting the hook block **623**
 Travel and crane operation **135**
 Travel gears / hydraulic motors / track rollers **633**
 Travel power **35**
 Travel route **632**
 Troubleshooting on the central lubrication system **1631, 1666**
 Turning **571**
 Turning / driving in reverse **139**
 Turning an extremely rotation-resistant hoist rope out **1693**
 Turning the auxiliary heater off **1541**
 Turning the crane superstructure **571**
 Turning the engine-independent auxiliary heater on in programming mode **1543**
 Turning the engine-independent auxiliary heater on manually **1539**
 Turning the engine off **515, 515**
 Turning the engine off in the event of danger **515**
 Turning the heater and climate control on **505**
 Turning the heater on **1527**
 Turning the parking brake on / off **573**
 Turning the rapid gear on **657**
 Turning the seat heater * on **505**
 Turning the turntable into assembly position **853, 877, 1295, 1345, 1409**
 Turning the turntable into disassembly position **1379, 1467**
 Turning the turntable to the left **1561, 1575**
 Turning the turntable to the right **1563, 1577**
 Turning the „Power Plus“ off **553**
 Turntable **23, 277**
 Turntable, front section **45, 279**
 Turntable, rear section **279**
 Turntable, rear section with SA-frame and winch **4 45**
 Turntable assembly **276**

Type of problem **1713**
 Types of ladders **148**

U

Undefined ballast trailer operation **1171**
 Unlocking **1141**
 Unlocking and locking the center tube **1141**
 Unpinning procedure **1203**
 Unpinning the D-pivot section on the turntable **893**
 Unpinning the lattice components **815**
 Unpinning the S-pivot section on the turntable **1331, 1391**
 Unpinning the upper pulley block on the S-pivot section **1500**
 Unpinning the WA-frame 2 guy rods **952**
 Unpinning the WA-frame 2 relapse supports **950**
 Unpinning the WA-frames on the W-connector head **960**
 Unpinning the W-pivot section **947**
 Unpin the ballast trailer guide on the turntable **1203**
 Unreeving the hook block **583**
 Unreeving the W-control rope **956**
 Unscheduled inspection **1841**
 Update confirmation **1914, 1915**
 Used proportion of the theoretical service life. **1832**
 Use of double strand height safety equipment **84**
 Use of single strand height safety equipment **83**
 User guidelines **145**
 User interface **363, 483**
 Use suitable operating fluids **1590**
 Utilization conditions **1187, 1263**

V

Vertical ladder with transition aid **152**
 Vertical movements **122**
 Vibrations **68**
 Vibration sensor **555**
 Visual check for damage **618**
 Visual inspection for leaks **1830**

W

WA-frame 1, end section 8m + WA-frame 2, end section 4.5m **57**
 WA-frame 1 + WA-frame 2, intermediate section 6m **57**
 WA-frame 1 + WA-frame 2, pivot section 9m **57**
 Waiting for the boot up phase **517**
 Walking on lattice sections or booms **85**
 Walking on the telescopic boom **85**
 Warranted maximum sound power level **176**
 Warranty and coverage **1591**
 W-connector head 1.5m, 675t **51**
 Wear **1892**
 Weights **776**
 Welding work on the load **134**
 W-guy rods on S-adapter **1283**

Wheel set **63**
Which data is required by Liebherr Service? **1722**
Winch 1 **36, 45, 279, 555**
Winch 1 - hoist winch **559**
Winch 2 **36, 45, 279**
Winch 2 - hoist winch **559**
Winch 2 or slewing gear **555**
Winch 3 **38**
Winch 3 with pulley blocks **61**
Winch 4 **36**
Winch 5 **38**
Winch 6 **38**
Winch 6 - hoist winch boom nose **561**
Winch and master switch assignment to operating modes **557**
Winch display **423, 465**
Winch displays **463**
Winches **485, 1669**
Winches 3 to 6 **463**
Wind influences **111**
Wind influences during erection and take down **115**
Wind influences for „Crane out of operation“ **117**
Wind influences in crane operation **116**
Wind speed **415**
Wind speed, wind gust speed and wind direction **112**
Wind speed charts for variable support **112**
Wind speed sensor **539, 1308, 1362, 1446**
Wind speed sensor * **929, 973**
Wire break increase rate **1847**
Wire ropes **577**
Wire ropes and rope end connections **577, 1843**
W-lattice jib **1881**
W-lattice jib „bottom“ **1883**
Working in ambient temperatures below -40°C **227**
Working in ambient temperatures up to -40°C **221**
Working in low temperatures **220, 221**
Working in the vicinity of electricity transmission lines **628**
Working in the vicinity of transmitters **109**
Working on lattice sections or booms **85**
Working on the crane superstructure or boom **93**
Working on the telescopic boom head and / or auxiliary boom **84**
Working ranges overlap **119**
Working with a load **616**
Workplace-related emission value **68**
Work station - Crane operator's cab **503**
W-pivot section 10.5m **53**
WV-lattice jib **966**