

BUCKNER

HEAVYLIFT CRANES

Contents	
Sheet	Description
001	Title Page
002	Boom Configuration
003	Pendant Straps
004	Reeving 1
005	Reeving 2
006	Erection and Takedown
007	Load Chart

PROJECT:
LR 1300SX 233' 2821 ST

LOCATION: -----
BUCKNER CONTACT: Dan Ives, PE
Dani@BucknerCompanies.com
LIFT PLAN BY: Dan Ives, PE
Dani@BucknerCompanies.com

DRAWING NOTES:
Title Page

FILE: C:\Buckner\Buckner Heavylift Cranes\Engineering - Documents\Drawings\BHL\Buckner\Build Sheets\LR 1300SX\LR 1300SX - 2821 Main Boom 233' ST.dwg
CREATED: 01.14.2021 @ 1:45:55 PM
EDITING TIME: 1h9m FILE SIZE: 749.23Kb
PAPER SIZE: ANSI B (17.00 x 11.00 Inches)
SAVED: 01.14.2021 @ 2:27:15 PM
PLOTTED: 01.14.2021 @ 2:27:20 PM

Revisions

All Sheets Same Revision Level

Rev.	Date	Description
000	01.14.2021	Preliminary Planning & Initial Layout
001	----	----
002	----	----
003	----	----
004	----	----
005	----	----
006	----	----
007	----	----
008	----	----
009	----	----
010	----	----

SHEET: 001 OF 007



Assembly and dismantling

Main boom 2821

A) Machine with CF pendant straps with boom configuration main boom 2821 + luffing jib 1916: Do not install any mid-point suspensions with main boom lengths 77 m (253 ft) and 80 m (262 ft).

7.5.3 Overview of main boom 2821 steel pendant straps

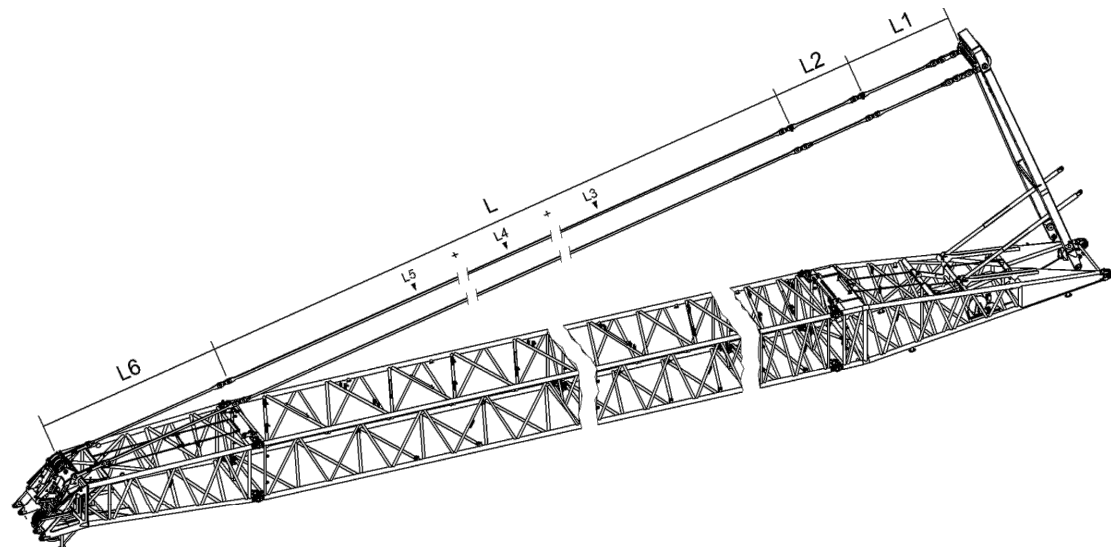


Fig. 2636: Overview of main boom 2821 steel pendant straps

Pendant straps A-frame1 to main boom head 2821

Name	Value	
L1 A-frame1 equalizer (For more information see: A-frame1 equalizer, page 65)	3730 mm 12' 3" ft-in	
L2 Main boom base section equalizer (For more information see: Equalizer of main boom base section 2821.30, page 165)	2670 mm 8' 9" ft-in	
L Main boom pendant straps consisting of:		
	L3 Main boom pendant strap 3 m (10 ft) (For more information see: Main boom pendant strap 3 m (10 ft), page 166)	Total L3 +
	L4 Main boom pendant strap 6 m (20 ft) (For more information see: Main boom pendant strap 6 m (20 ft), page 168)	Total L4 +
	L5 Main boom pendant strap 12 m (40 ft) (For more information see: Main boom pendant strap 12 m (40 ft), page 170)	Total L5

LWNLR.LR.1300.SX.V02.01/Auslieferung/2014-07-22/en

Assembly and dismantling

Main boom 2821

Name	Value
L6 Main boom pendant strap on main boom head 2821 (For more information see: Main boom pendant strap on main boom head 2821.24, page 171)	6300 mm 20' 8" ft-in

Tab. 390: Pendant straps A-frame1 to main boom head 2821

Configuration of main boom pendant straps (L):

Required number of main boom pendant straps 3 m (10 ft) (L3) corresponds to number of main boom sections 3 m (10 ft).

Required number of main boom pendant straps 6 m (20 ft) (L4) corresponds to number of main boom sections 6 m (20 ft).

Required number of main boom pendant straps 12 m (40 ft) (L5) corresponds to number of main boom sections 12 m (40 ft).



Note

► For the admissible number of main boom sections 3 m (10 ft), 6 m (20 ft), 12 m (40 ft), refer to the following table: (For more information see: 7.5.1 Configuration of main boom, page 1056)

7.5.4 Overview of main boom 2821 CF pendant straps

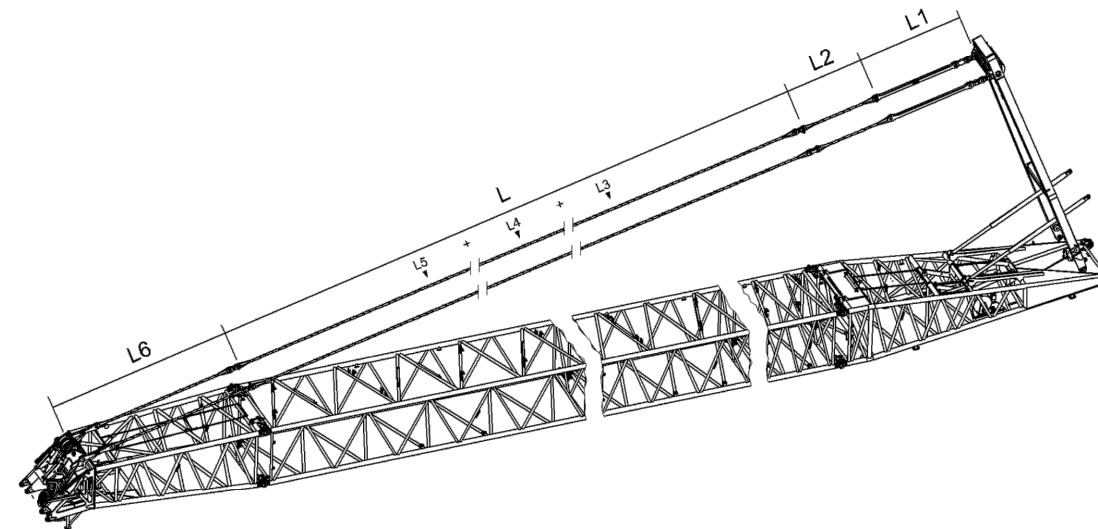


Fig. 2637: Overview of main boom 2821 CF pendant straps

Pendant straps A-frame1 to main boom head 2821

Name	Value
L1 A-frame1 equalizer (For more information see: A-frame1 equalizer, page 66)	3700 mm 12' 2" ft-in

LWNLR.LR.1300.SX.V02.01/Auslieferung/2014-07-22/en

PROJECT:

LR 1300SX 233' 2821 ST

LOCATION: -----

BUCKNER CONTACT: Dan Ives, PE
Dani@BucknerCompanies.com

LIFT PLAN BY: Dan Ives, PE
Dani@BucknerCompanies.com

DRAWING NOTES:
Pendant Straps

FILE: C:\Buckner\Buckner Heavylift Cranes\Engineering - Documents\Drawings\BHL\Buckner\Build Sheets\LR 1300SX\LR 1300SX - 2821 Main Boom 233' ST.dwg

CREATED: 01.14.2021 @ 1:45:55 PM

EDITING TIME: 1h9m FILE SIZE: 749.23Kb

PAPER SIZE: ANSI B (17.00 x 11.00 Inches)

SAVED: 01.14.2021 @ 2:27:15 PM

PLOTTED: 01.14.2021 @ 2:27:22 PM

Revisions

All Sheets Same Revision Level

Rev.	Date	Description
000	01.14.2021	Preliminary Planning & Initial Layout
001	----	----
002	----	----
003	----	----
004	----	----
005	----	----
006	----	----
007	----	----
008	----	----
009	----	----
010	----	----

SHEET: 003 OF 007





LR1300SX

Erectability charts

Boom configuration: Main boom + fixed jib
Ident. no.: /10539958/141906

Table with 2 columns: Main boom length [ft], Jib length [ft]. Includes specifications for main boom, jib head, counterweights, and track width. Lists boom lengths from 66 to 272 ft and corresponding jib lengths (ABC or AB).

Load hook/pulley block always on ground

Valid only with preface



LR1300SX

Erectability charts

Boom configuration: Main boom + fixed jib
Ident. no.: /10539958/141906

Table with 2 columns: Main boom length [ft], Jib length [ft]. Includes specifications for main boom, jib head, counterweights, and crawler configuration. Lists boom lengths from 66 to 272 ft and corresponding jib lengths (ABC or AB).

Load hook/pulley block always on ground

Valid only with preface

PROJECT: LR 1300SX 233' 2821 ST

LOCATION:
BUCKNER CONTACT: Dan Ives, PE
LIFT PLAN BY: Dan Ives, PE

DRAWING NOTES:
Erection and Takedown

FILE: C:\Buckner\Buckner Heavylift Cranes\Engineering - Documents\Drawings\BHL\Buckner\Build Sheets\LR 1300SX\LR 1300SX - 2821 Main Boom 233' ST.dwg
CREATED: 01.14.2021 @ 1:45:55 PM
EDITING TIME: 1h9m FILE SIZE: 749.23Kb
PAPER SIZE: ANSI B (17.00 x 11.00 Inches)
SAVED: 01.14.2021 @ 2:27:15 PM
PLOTTED: 01.14.2021 @ 2:27:26 PM

Revisions

All Sheets Same Revision Level

Table with 3 columns: Rev., Date, Description. Lists revision 000 (Preliminary Planning & Initial Layout) and revisions 001-010 (all with dashes).

SHEET: 006 OF 007





LR1300SX

Load capacities main boom

Ident. no.: 10539958/141906/ Main boom foot: 2821-1
 Slewing range: 360 ° Main boom head: 2821-1
 Foot print: 2 - Wide track
 Rear counterweight [1000 lbs]: 273.4
 Carbody counterweight [1000 lbs]: 125.7

Outre-ach [ft]	Main boom angle [°]	Rope pulley height [ft]	Load capacity [1000 lbs]
233 ft Main boom, Load fall point Main boom head (2821-1)			
26	86	240	66.4
30	85	239	312.5
35	83.7	238	290.7
40	82.5	238	270.2
45	81.2	237	237.8
50	80	236	212.2
55	78.7	235	191.3
60	77.5	234	169.0
65	76.2	233	150.8
70	74.9	231	135.7
75	73.6	230	123.0
80	72.3	228	112.2
85	71	226	102.8
90	69.7	225	94.6
95	68.4	223	87.5
100	67.1	220	81.1
105	65.7	218	75.4
110	64.3	216	70.2
115	63	213	65.6
120	61.6	210	61.4
125	60.1	208	57.6
130	58.7	204	54.1
135	57.2	201	50.8
140	55.7	198	47.9
145	54.2	194	45.1
150	52.7	190	42.5
155	51.1	186	40.1
160	49.5	182	37.9
165	47.8	177	35.8
170	46.1	172	33.9
175	44.7	168	32.2
180	42.9	163	30.5
185	41	157	28.8
190	39.1	151	27.3
195	37	145	25.8
200	34.9	137	24.4
205	32.6	130	23.1
210	30.2	121	21.8
215	27.6	112	20.6
220	24.7	101	19.5
225	21.4	89	18.4
230	17.5	74	17.3

PROJECT:
LR 1300SX 233' 2821 ST

LOCATION: -----
 BUCKNER CONTACT: Dan Ives, PE
 Dani@BucknerCompanies.com
 LIFT PLAN BY: Dan Ives, PE
 Dani@BucknerCompanies.com

DRAWING NOTES:
Load Chart

FILE: C:\Buckner\Buckner Heavylift Cranes\Engineering - Documents\Drawings\BHL\Buckner\Build Sheets\LR 1300SX\LR 1300SX - 2821 Main Boom 233' ST.dwg
 CREATED: 01.14.2021 @ 1:45:55 PM
 EDITING TIME: 1h10m FILE SIZE: 749.23Kb
 PAPER SIZE: ANSI B (17.00 x 11.00 Inches)
 SAVED: 01.14.2021 @ 2:27:15 PM
 PLOTTED: 01.14.2021 @ 2:27:28 PM

Revisions

All Sheets Same Revision Level

Rev.	Date	Description
000	01.14.2021	Preliminary Planning & Initial Layout
001	----	----
002	----	----
003	----	----
004	----	----
005	----	----
006	----	----
007	----	----
008	----	----
009	----	----
010	----	----

SHEET: 007 OF 007

