



CAPACITY CHART INDEX

Model 888 #135 Luffing Jib with #22EL Boom
Serial Number 8885093

ASME B30.5

GENERAL

F2081 03/23/2018 Capacity Chart Information

CHARTS

Drum and Lagging

Chart 6119-A 10/08/1997 Series 1, 2

Liftcrane Luffing Jib Capacities

Chart 7830-A 05/17/1996 Series 1 360 Degree Rating

Chart 7832-A 09/26/2003 Series 2 360 Degree Rating

Liftcrane Boom Capacities w/ Luffing Jib Attached

Chart 7829-A 05/17/1996 Series 1 360 Degree Rating

Chart 7831-A 09/26/2003 Series 2 360 Degree Rating

Luffing Jib Raising Procedure

Chart 7826-A 09/26/2003 Series 1, 2, Luffing Jib #135 on #22EL Boom

Maximum Allowable Travel Specifications

Chart 7827-A 05/19/1999 Series 1, 2 888 #135 Luffing Jib

Operating Range Diagram

Chart 7770-A 06/01/1995 Series 1, 2 360 Degree Rating

Range Diagram

Dwg 177711 03/18/1999 Series 1, 2 #135 Luffing Jib

Wind Conditions

Folio 1568 09/12/2000 Series 1, 2 (888)

Wire Rope Specifications

Chart 7825-A 09/26/2003 Series 1, 2 Luffing Jib #135 on #22EL Boom

Chart 7824-A 03/22/1996 Series 1, 2 Luffing Jib #135 Attached

CAPACITY CHART INFORMATION

All Models

THE ORIGINAL LANGUAGE OF THIS PUBLICATION IS ENGLISH.

TABLE OF CONTENTS

Guide For Determining Total Load And Maximum Working Radius	1
EXAMPLE – Determining Total Load and Maximum Working Radius From Lower Boom Point	2
Worksheet A – Determining Total Load and Maximum Working Radius From Lower Boom Point	3
Worksheet B – Determining Total Load And Maximum Working Radius From Upper Boom Point	4
Worksheet C – Determining Total Load and Maximum Working Radius From Fixed Jib Point on Boom	5
Worksheet D – Determining Total Load and Maximum Working Radius From Lower Boom Point with Luffing Jib Attached	6
Worksheet E – Determining Total Load and Maximum Working Radius From Lower Luffing Jib Point	7
Worksheet F – Determining Total Load and Maximum Working Radius From Fixed Jib Point on Luffing Jib	8
Worksheet G – Determining Total Load and Maximum Working Radius From Intermediate Fall Point on Luffing Jib	9
Worksheet H – Determining Total Load and Maximum Working Radius From Tower Boom Point	10
Worksheet J – Determining Total Load and Maximum Working Radius Tower Jib Point	11
Worksheet K – Determining Total Load and Maximum Working Radius From Tower Intermediate Fall	12
Crawler Blocking	14
Operating Radius	16
Crane Stability and Crawler Lift	20

GUIDE FOR DETERMINING TOTAL LOAD AND MAXIMUM WORKING RADIUS



WARNING

Falling Load Hazard!

Prevent the crane from tipping or structural failure of attachment. Perform the following steps prior to lifting any load:

- Read capacity chart to determine what is considered part of total load.
- Calculate total load to be lifted.
- Do not exceed maximum working radius for total load to be lifted.

Capacity charts for Manitowoc cranes show the total weight of freely-suspended loads for various boom/jib lengths and operating radii.

NOTE “*Freely-suspended load*” is a load that is hanging free with no direct external force applied except by the crane’s load-line reeving.

To determine the total weight of the load that can be lifted at a given radius, the operator shall include the weight of certain lifting equipment, such as the following:

- Jib
- Upper boom point
- Intermediate fall point
- Wire rope below boom, jib, and intermediate fall points.
- Load blocks and hook and weight balls below boom, jib, and intermediate fall points.
- Slings and other lifting equipment below boom, jib, and intermediate fall points.

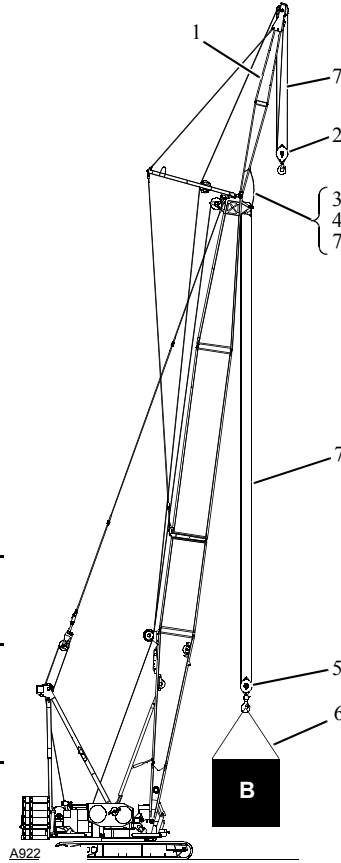
This folio contains worksheets to assist qualified operators in determining the total load to be lifted and the maximum working radius for that load.

The worksheets provided in this folio are for standard lifting arrangements. What is and is not considered part of the total load can vary from one capacity chart to another and from one attachment to another. **Read capacity chart in use to determine what is considered part of total load.** If in doubt, contact your Manitowoc Crane Care Lattice Team for assistance.

EXAMPLE – Determining Total Load and Maximum Working Radius From Lower Boom Point

For this example, an M-250 equipped as follows has been used:

- B30.5 Capacity Chart
- 130 ft (39,6 m) of #44 Heavy Lift Boom
- 40 ft (12,2 m) of #132 Jib
- 60 U.S. Ton Block with 4-Part Load Line Suspended 30 ft (9,1 m) below Jib Point
- 100 U.S. Ton Block with 4-Part Load Line from Lower Boom Point (full block travel)
- 50,000 lb (2 2679,6 kg) Load from Lower Boom Point
- 2.7 lb/ft (1,2 kg/m) Weight of Wire Rope.



Boom Lgth. Feet	Oper. Rad. Feet	Boom Ang. Deg.	Boom Point Elev. Feet	Capacity Pounds
26	82.7	136.6	350,700*	
27	82.2	136.4	348,700*	
28	81.8	136.2	346,700*	
29	81.3	136.1	337,400	
30	80.9	135.9	378,300	
32	80.0	135.5	285,800	
34	79.1	135.1	259,100	
36	78.2	134.6	236,600	
38	77.3	134.2	217,600	
40	76.4	133.6	201,200	
42	75.4	133.1	186,900	
44	74.5	132.5	174,400	
46	73.6	131.9	163,300	
48	72.7	131.2	153,500	
50	71.7	130.5	144,600	
55	69.4	128.7	126,100	
60	67.0	126.5	111,300	
65	64.5	124.1	99,300	
70	62.1	121.5	89,400	
75	59.5	118.5	81,000	
80	56.9	115.3	73,800	
85	54.2	111.7	67,600 — D	
90	51.3	107.7	62,200	
95	48.4	103.3	57,400	
100	45.3	98.4	53,200	
105	42.0	92.9	49,400	
110	38.5	86.7	46,000	
115	34.7	79.7	42,900	
120	30.5	71.5	40,100	
125	25.6	61.5	37,600	

130

Deduct from Capacities when Jib is Attached

Jib Length	Jib No. 132
40 ft (12,2 m)	6,400 lb (2 900 kg)
60 ft (18,3 m)	8,200 lb (3 720 kg)
80 ft (24,4 m)	10,300 lb (4 670 kg)
100 ft (30,5 m)	12,800 lb (5 810 kg)
120 ft (36,6 m)	15,300 lb (6 940 kg)

DESCRIPTION

Component Weights

DESCRIPTION	WEIGHT (lb)	WEIGHT (kg)
1 Fixed Jib (see Jib Deduct table in capacity chart)	6,400	2 903
2 Load Block/Hook and Weight Ball (below jib point)	2,825	1 281,4
3 Upper Boom Point (from capacity chart if noted)	Does Not Apply	Does Not Apply
4 Load Block/Hook and Weight Ball (below upper boom point)	Does Not Apply	Does Not Apply
5 Load Block/Hook and Weight Ball (below lower boom point)	4,800	2 177,2
6 Total Weight of Slings and Other Lifting Equipment Below Jib Point, Upper Boom Point, and Lower Boom Point	700	317,5
7 Total Weight of Wire Rope Below Fixed Jib Point, Upper Boom Point, and Lower Boom Point (see below)	1,530	694

for this example: Jib: 30 ft of rope x 4 parts of line x 2.7 lb/ft = 324 lb **plus**
 Boom: 111.7 ft of rope x 4 parts of line x 2.7 lb/ft = 1,206 lb

Totals

A Total Component Weights (ADD items 1 – 7 above)	16,255	7 373,1
B Weight of Load to be Lifted	50,000	2 2679,6
C Total Load to be Lifted (ADD A and B above)	66,255	30 052,8
D Maximum Working Radius (for Total Load to be Lifted from C above — see correct capacity chart)	85 ft	25,9 m

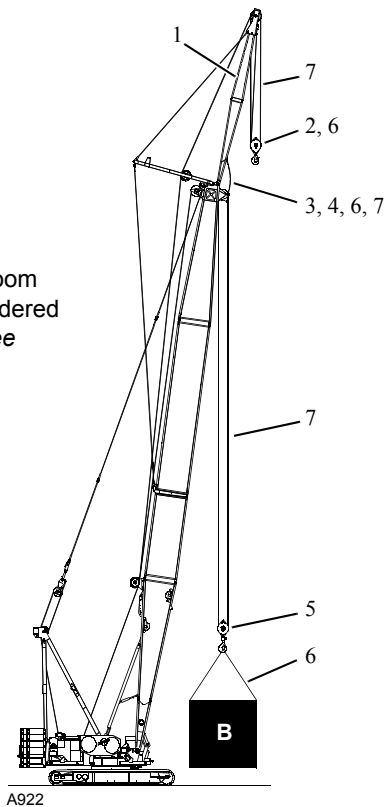
Equation — Use the following equation to calculate weight of wire rope below any point (boom, fixed jib, luffing jib, intermediate fall):

$$\frac{\text{Length of Wire Rope Below Given Point} \times \text{Number of Parts of Line} \times \text{Weight of Wire rope per Foot}}{\text{Determined by Operator or by Person Directing Lift}} = \text{Provided in Load Line or Wire Rope Specifications Chart}$$

Worksheet A – Determining Total Load and Maximum Working Radius From Lower Boom Point

DESCRIPTION	WEIGHT
Component Weights (see Note 1:)	
1 Fixed Jib (see <i>Jib Deduct table in capacity chart</i>)	_____
2 Load Block/Hook and Weight Ball (below fixed jib point)	_____
3 Upper Boom Point (from capacity chart, if noted)	_____
4 Load Block/Hook and Weight Ball (below upper boom point, if installed)	_____
5 Load Block/Hook and Weight Ball (below lower boom point)	_____
6 Total Weight of Slings and Other Lifting Equipment Below Fixed Jib Point, Upper Boom Point, and Lower Boom Point	_____
7 Total Weight of Wire Rope Below Fixed Jib Point, Upper Boom Point, and Lower Boom Point (see <i>Load Line or Wire Rope Specifications Chart for weight of wire rope</i>)	_____
Totals	
A Total Component Weights (ADD items 1 – 7 above)	_____
B Weight of Load to be Lifted	_____
C Total Load to be Lifted (ADD A and B above)	_____
D Maximum Working Radius (for Total Load to be Lifted from C above — see correct capacity chart)	_____

Note 1: For cranes so equipped, auxiliary drum in the boom butt and special rope guides or guards are considered part of the load from the boom and jib points. See deduct tables in the capacity chart for detailed information.

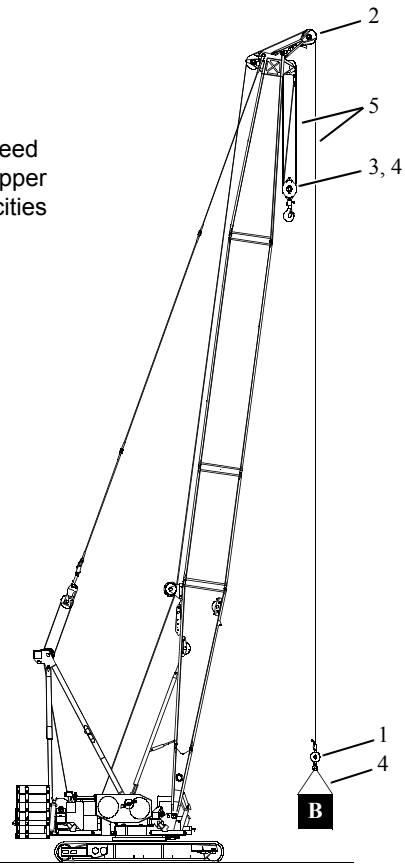


CAPACITY CHART INFORMATION

Worksheet B – Determining Total Load And Maximum Working Radius From Upper Boom Point

DESCRIPTION	WEIGHT
Component Weights	
1 Load Block/Hook and Weight Ball (<i>below upper boom point</i>)	_____
2 Upper Boom Point (<i>from capacity chart if noted</i>)	_____
3 Load Block/Hook and Weight Ball (<i>below lower boom point</i>)	_____
4 Total Weight of Slings and Other Lifting Equipment Below Upper Boom Point and Lower Boom Point . .	_____
5 Total Weight of Wire Rope Below Upper Boom Point and Lower Boom Point (<i>see Load Line or Wire Rope Specifications Chart for weight of wire rope</i>)	_____
Totals	
A Total Component Weights (<i>ADD items 1-5 above</i>)	_____
B Weight of Load to be Lifted	_____
C Total Load to be Lifted (<i>ADD A and B above</i>) see NOTE 1	_____
D Maximum Working Radius (<i>for Total Load to be Lifted from C above – see correct capacity chart</i>)	_____

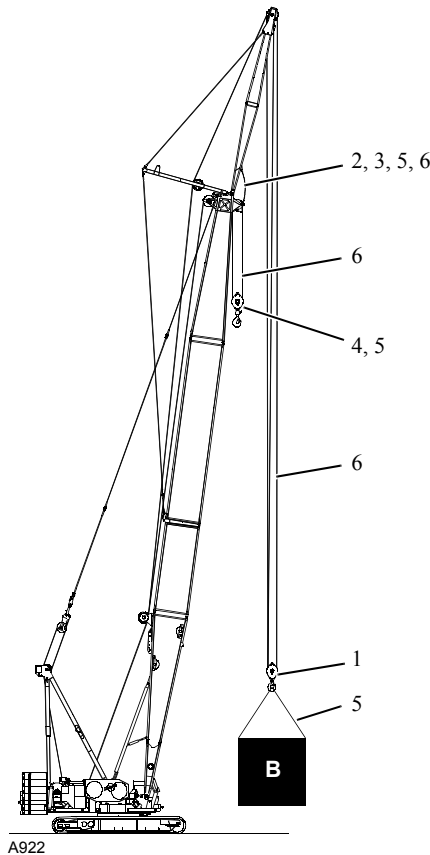
Note 1: Total load to be lifted must not exceed maximum structural rating of the upper boom point or exceed boom capacities as specified in capacity chart.



A922

Worksheet C – Determining Total Load and Maximum Working Radius From Fixed Jib Point on Boom

DESCRIPTION	WEIGHT
Component Weights	
1 Load Block/Hook and Weight Ball (<i>below fixed jib point</i>)	_____
2 Upper Boom Point (<i>from capacity chart if noted</i>)	_____
3 Load Block/Hook and Weight Ball (<i>below upper boom point, if installed</i>)	_____
4 Load Block/Hook and Weight Ball (<i>below lower boom point</i>)	_____
5 Total Weight of Slings and Other Lifting Equipment Below Fixed Jib Point, Upper Boom Point, and Lower Boom Point	_____
6 Total Weight of Wire Rope Below Fixed Jib Point, Upper Boom Point, and Lower Boom Point (<i>see Load Line or Wire Rope Specifications Chart for weight of wire rope</i>)	_____
Totals	
A Total Component Weights (<i>ADD items 1-6 above</i>)	_____
B Weight of Load to be Lifted	_____
C Total Load to be Lifted (<i>ADD A and B above</i>)	_____
D Maximum Working Radius (<i>for Total Load to be Lifted from C above — see correct capacity chart</i>)	_____

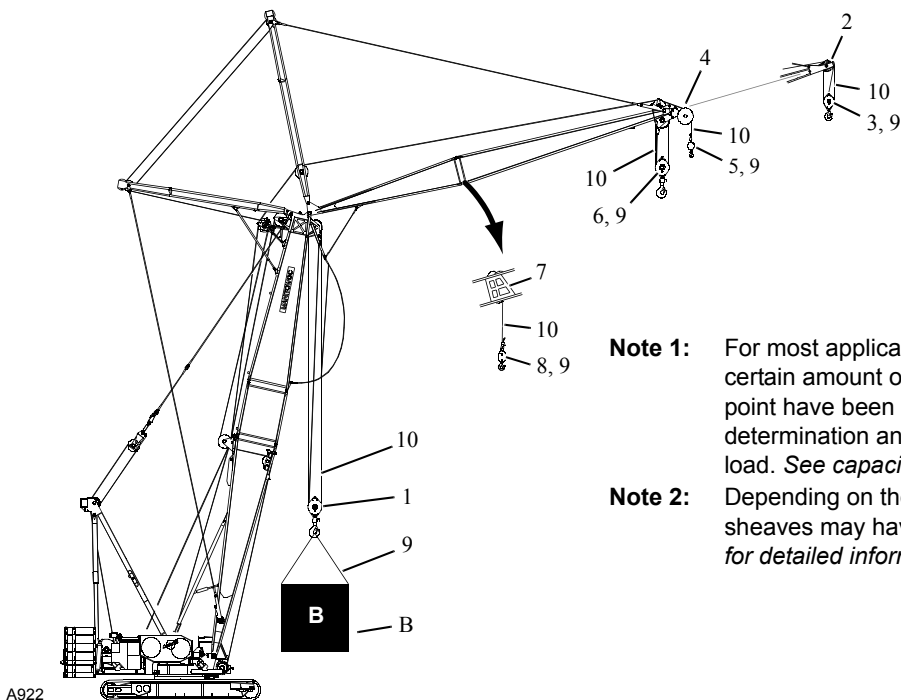


CAPACITY CHART INFORMATION

Worksheet D – Determining Total Load and Maximum Working Radius From Lower Boom Point with Luffing Jib Attached

(see Note 1:)

DESCRIPTION	WEIGHT
Component Weights	
1 Load Block/Hook and Weight Ball Below Lower Boom Point (see Note 2:)	_____
2 Fixed Jib (see <i>Jib Deduct Table in capacity chart</i>)	_____
3 Load Block/Hook and Weight Ball (<i>below fixed jib point, if installed</i>)	_____
4 Upper Luffing Jib Point (<i>from capacity chart, if noted</i>)	_____
5 Load Block/Hook and Weight Ball (<i>below upper luffing jib point, if installed</i>)	_____
6 Load Block/Hook and Weight Ball (<i>below lower luffing jib point, if installed</i>)	_____
7 Intermediate Fall Point (see <i>Intermediate Fall Deduct Table in capacity chart</i>)	_____
8 Load Block/Hook and Weight Ball (<i>below intermediate fall point</i>)	_____
9 Total Weight of Slings and Other Lifting Equipment Below Fixed Jib Point, Upper Luffing Jib Point, Lower Luffing Jib Point, Intermediate Fall Point, and Lower Boom Point.	_____
10 Total Weight of Wire Rope Below Fixed Jib Point, Upper Luffing Jib Point, Lower Luffing Jib Point, Intermediate Fall Point, and Lower Boom Point (see <i>Load Line or Wire Rope Specifications Chart for weight of wire rope</i>)	_____
Totals	
A Total Component Weights (<i>ADD items 1-10 above</i>)	_____
B Weight of Load to be Lifted	_____
C Total Load to be Lifted (<i>ADD A and B above</i>)	_____
D Maximum Working Radius (<i>for Total Load to be Lifted from C above — see correct capacity chart</i>)	_____

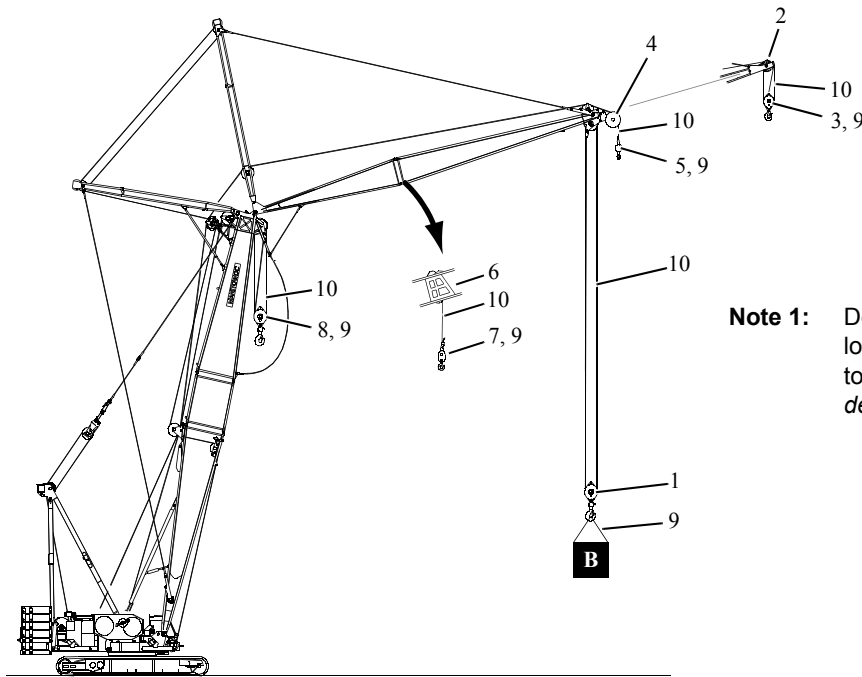


Note 1: For most applications, weight of the luffing jib and a certain amount of weight below the lower luffing jib point have been included in boom capacity determination and do not have to be added to total load. See capacity chart for detailed information.

Note 2: Depending on the jib length, some lower boom point sheaves may have to be removed. See capacity chart for detailed information.

Worksheet E – Determining Total Load and Maximum Working Radius From Lower Luffing Jib Point

DESCRIPTION	WEIGHT
Component Weights	
1 Load Block/Hook and Weight Ball (below lower luffing jib point)	_____
2 Fixed Jib (see Jib Deduct Table in capacity chart)	_____
3 Load Block/Hook and Weight Ball (below fixed jib point, if installed)	_____
4 Upper Luffing Jib Point (from capacity chart, if noted)	_____
5 Load Block/Hook and Weight Ball (below upper luffing jib point, if installed)	_____
6 Intermediate Fall Point (see Intermediate Fall Deduct Table in capacity chart)	_____
7 Load Block/Hook and Weight Ball (below intermediate fall point)	_____
8 Load Block/Hook and Weight Ball (below lower boom point, if installed) see Note 1:	_____
9 Total Weight of Slings and Other Lifting Equipment Below Fixed Jib Point, Upper Luffing Jib Point, Lower Luffing Jib Point, Intermediate Fall Point, and Lower Boom Point	_____
10 Total Weight of Wire Rope Below Fixed Jib Point, Upper Luffing Jib Point, Lower Luffing Jib Point, Intermediate Fall Point, and Lower Boom Point (see Load Line or Wire Rope Specifications Chart for weight of wire rope)	_____
Totals	
A Total Component Weights (ADD items 1-10 above)	_____
B Weight of Load to be Lifted	_____
C Total Load to be Lifted (ADD A and B above)	_____
D Maximum Working Radius (for Total Load to be Lifted from C above — see correct capacity chart)	_____

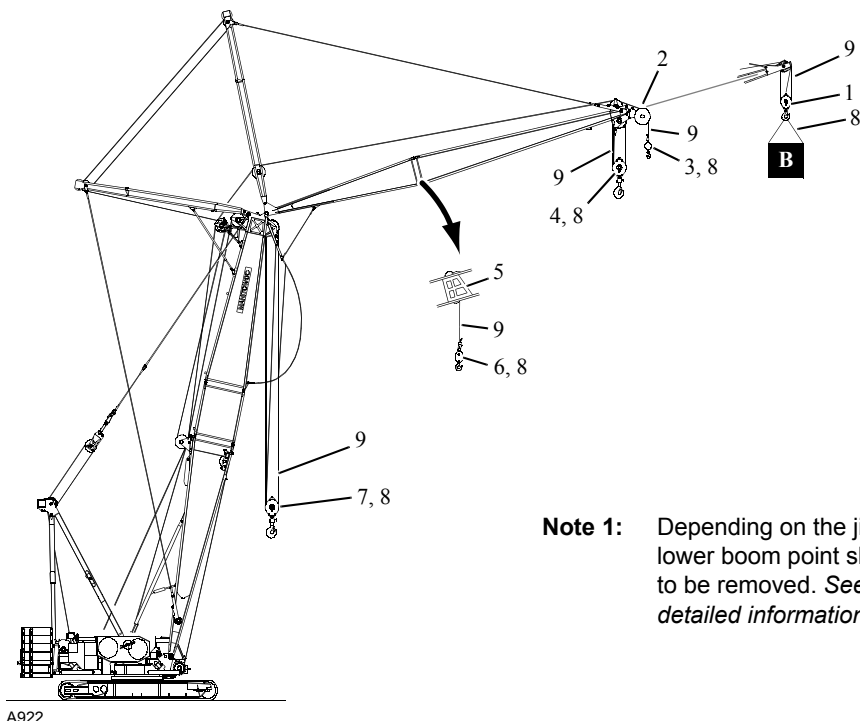


Note 1: Depending on the jib length, some lower boom point sheaves may have to be removed. See capacity chart for detailed information.

A922

Worksheet F – Determining Total Load and Maximum Working Radius From Fixed Jib Point on Luffing Jib

DESCRIPTION	WEIGHT
Component Weights	
1 Load Block/Hook and Weight Ball (below fixed jib point)	_____
2 Upper Luffing Jib Point (from capacity chart if noted)	_____
3 Load Block/Hook and Weight Ball (below upper luffing jib point, if installed)	_____
4 Load Block/Hook and Weight Ball (below lower luffing jib point, if installed)	_____
5 Intermediate Fall Point (see Intermediate Fall Deduct Table in capacity chart)	_____
6 Load Block/Hook and Weight Ball (below intermediate fall point)	_____
7 Load Block/Hook and Weight Ball (below lower boom point) see Note 1:	_____
8 Total Weight of Slings and Other Lifting Equipment Below Fixed Jib Point, Upper Luffing Jib Point, Lower Luffing Jib Point, Intermediate Fall Point, and Lower Boom Point	_____
9 Total Weight of Wire Rope Below Fixed Jib Point, Upper Luffing Jib Point, Lower Luffing Jib Point, Intermediate Fall Point, and Lower Boom Point (see Load Line or Wire Rope Specifications Chart for weight of wire rope)	_____
Totals	
A Total Component Weights (ADD items 1-9 above)	_____
B Weight of Load to be Lifted	_____
C Total Load to be Lifted (ADD A and B above)	_____
D Maximum Working Radius (for Total Load to be Lifted from C above — see correct capacity chart)	_____

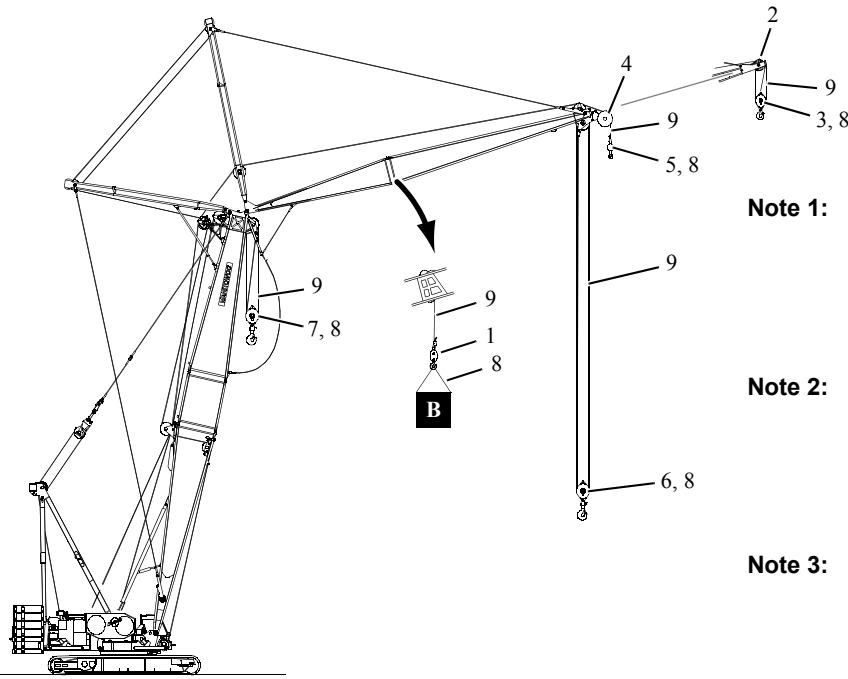


Note 1: Depending on the jib length, some lower boom point sheaves may have to be removed. See capacity chart for detailed information.

Worksheet G – Determining Total Load and Maximum Working Radius From Intermediate Fall Point on Luffing Jib

(see Note 1:)

DESCRIPTION	WEIGHT
Component Weights	
1 Load Block/Hook and Weight Ball (below intermediate fall point)	_____
2 Fixed Jib (see Jib Deduct Table in capacity chart) see Note 2:	_____
3 Load Block/Hook and Weight Ball (below fixed jib point, if installed)	_____
4 Upper Luffing Jib Point (from capacity chart if noted)	_____
5 Load Block/Hook and Weight Ball (below upper luffing jib point, if installed)	_____
6 Load Block/Hook and Weight Ball (below lower luffing jib point, if installed)	_____
7 Load Block/Hook and Weight Ball (below lower boom point, if installed) see Note 3:	_____
8 Total Weight of Slings and Other Lifting Equipment Below Fixed Jib Point, Upper Luffing Jib Point, Lower Luffing Jib Point, Intermediate Fall Point, and Lower Boom Point	_____
9 Total Weight of Wire Rope Below Fixed Jib Point, Upper Luffing Jib Point, Lower Luffing Jib Point, Intermediate Fall Point, and Lower Boom Point (see Load Line or Wire Rope Specifications Chart for weight of wire rope)	_____
Totals	
A Total Component Weights (ADD items 1-9 above)	_____
B Weight of Load to be Lifted	_____
C Total Load to be Lifted (ADD A and B above)	_____
D Maximum Working Radius (for Total Load to be Lifted from C above — see correct capacity chart)	_____



A922

Note 1: For most applications, weight of the luffing jib and a certain amount of weight below the lower luffing jib point have been included in intermediate fall capacity determination and do not have to be added to total load. See *capacity chart for detailed information.*

Note 2: For most applications, weight of the fixed jib and a certain amount of weight below fixed jib point have been included in intermediate fall capacity determination and do not have to be added to total load. See *capacity chart for detailed information.*

Note 3: Depending on the jib length, some lower boom point sheaves may have to be removed. See *capacity chart for detailed information.*

Worksheet H – Determining Total Load and Maximum Working Radius From Tower Boom Point

DESCRIPTION

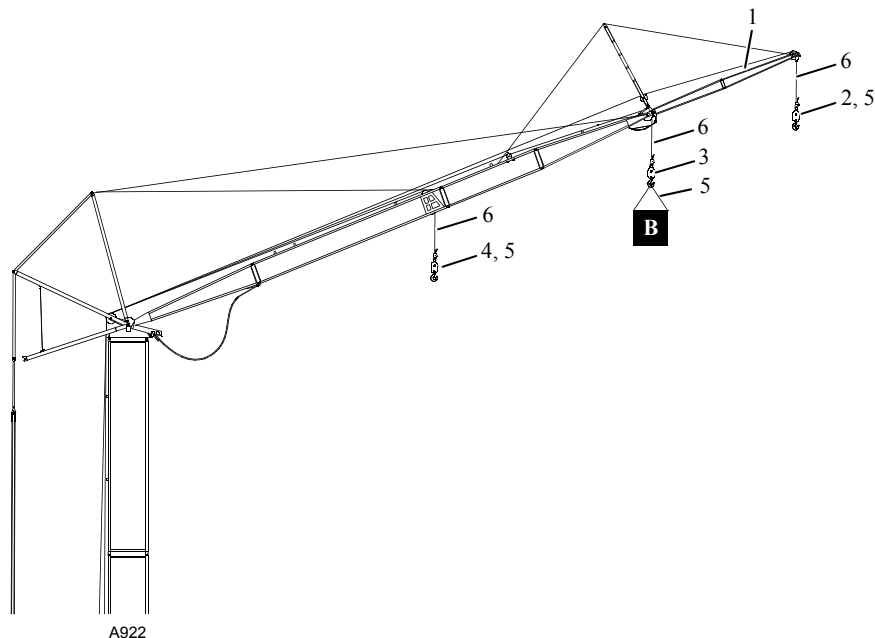
WEIGHT

Component Weights

1	Jib (see <i>Jib Deduct Table in capacity chart</i>)	_____
2	Load Block/Hook and Weight Ball (<i>below jib point, if installed</i>)	_____
3	Load Block/Hook and Weight Ball (<i>below boom point</i>)	_____
4	Load Block/Hook and Weight Ball (<i>below intermediate fall, if installed</i>)	_____
5	Total Weight of Slings and Other Lifting Equipment Below Jib Point, Boom Point, and Intermediate Fall.	_____
6	Total Weight of Wire Rope Below Jib Point, Boom Point, and Intermediate Fall (<i>see Load Line or Wire Rope Specifications Chart for weight of wire rope</i>)	_____

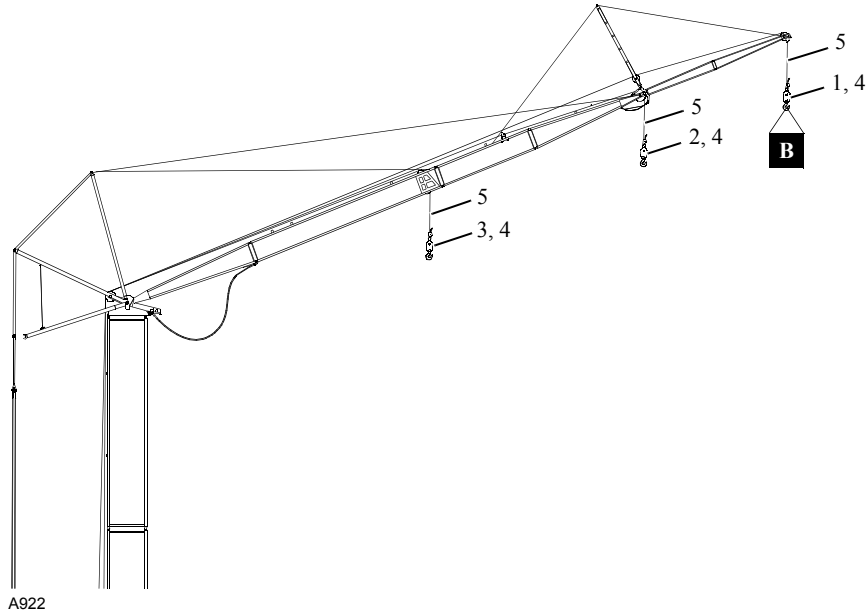
Totals

A	Total Component Weights (<i>ADD items 1-6 above</i>)	_____
B	Weight of Load to be Lifted	_____
C	Total Load to be Lifted (<i>ADD A and B above</i>)	_____
D	Maximum Working Radius (<i>for Total Load to be Lifted from C above — see correct capacity chart</i>)	_____



Worksheet J – Determining Total Load and Maximum Working Radius Tower Jib Point

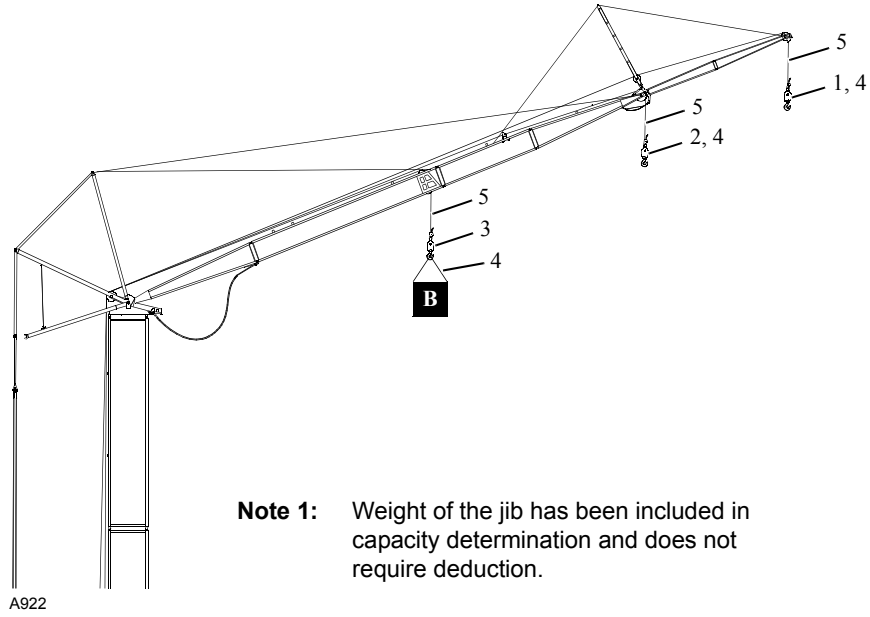
DESCRIPTION	WEIGHT
Component Weights	
1 Load Block/Hook and Weight Ball (<i>below jib point</i>)	_____
2 Load Block/Hook and Weight Ball (<i>below boom point, if installed</i>)	_____
3 Load Block/Hook and Weight Ball (<i>below intermediate fall, if installed</i>)	_____
4 Total Weight of Slings and Other Lifting Equipment Below Jib Point, Boom Point, and Intermediate Fall	_____
5 Total Weight of Wire Rope Below Jib Point, Boom Point, and Intermediate Fall (<i>see Load Line or Wire Rope Specifications Chart for weight of wire rope</i>)	_____
Totals	
A Total Component Weights (<i>ADD items 1-5 above</i>)	_____
B Weight of Load to be Lifted	_____
C Total Load to be Lifted (<i>ADD A and B above</i>)	_____
D Maximum Working Radius (<i>for Total Load to be Lifted from C above — see correct capacity chart</i>)	_____



Worksheet K – Determining Total Load and Maximum Working Radius From Tower Intermediate Fall

(see Note 1:)

DESCRIPTION	WEIGHT
Component Weights	
1 Load Block/Hook and Weight Ball (<i>below jib point, if installed</i>) (see Note 1:)	_____
2 Load Block/Hook and Weight Ball (<i>below boom point, if installed</i>)	_____
3 Load Block/Hook and Weight Ball (<i>below intermediate fall</i>).	_____
4 Total Weight of Slings and Other Lifting Equipment Below Jib Point, Boom Point, and Intermediate Fall .	_____
5 Total Weight of Wire Rope Below Jib Point, Boom Point, and Intermediate Fall (<i>see Load Line or Wire Rope Specifications Chart for weight of wire rope</i>)	_____
Totals	
A Total Component Weights (<i>ADD items 1-5 above</i>)	_____
B Weight of Load to be Lifted	_____
C Total Load to be Lifted (<i>ADD A and B above</i>)	_____
D Maximum Working Radius (<i>for Total Load to be Lifted from C above — see correct capacity chart</i>)	_____



Note 1: Weight of the jib has been included in capacity determination and does not require deduction.

A922

CRAWLER BLOCKING



WARNING

READ CAPACITY CHARTS!

Do not attempt to operate the crane without first reading and understanding capacity charts.

Crane must be rigged, blocked, and operated according to instructions given in capacity charts.

All operations must be performed with crane level as specified in capacity charts; otherwise the crane could tip.

Failing to comply with capacity charts can result in tipping or structural failure of the boom, boom and fixed jib, tower attachment, or luffing jib attachment.

Death or serious injury to personnel can result.

Figure 1 shows proper blocking of the crawlers for the following operating conditions:

- Raising and lowering the booms, boom and fixed jibs, tower attachments, and luffing jib attachments which require increased stability as stated on the capacity chart.
- Capacity chart ratings which require front of the crawlers to be blocked (limited swing).
- Capacity chart ratings which require front **and** rear of the crawlers to be blocked (360° rating).

Hardwood or steel blocking must provide even support, equal to the width of crawler pads under the centerline of the crawler rollers and/or the tumblers. **Blocking must be thick enough to maintain dimensions given in table even after ground and blocking are compacted.**

The blocking ensures that the centerline of the crawler rollers or the tumblers becomes the tipping fulcrum.

CAUTION

Crawler Damage!

DO NOT extend blocking into area of intermediate rollers. Damage to crawler components may result.

B173

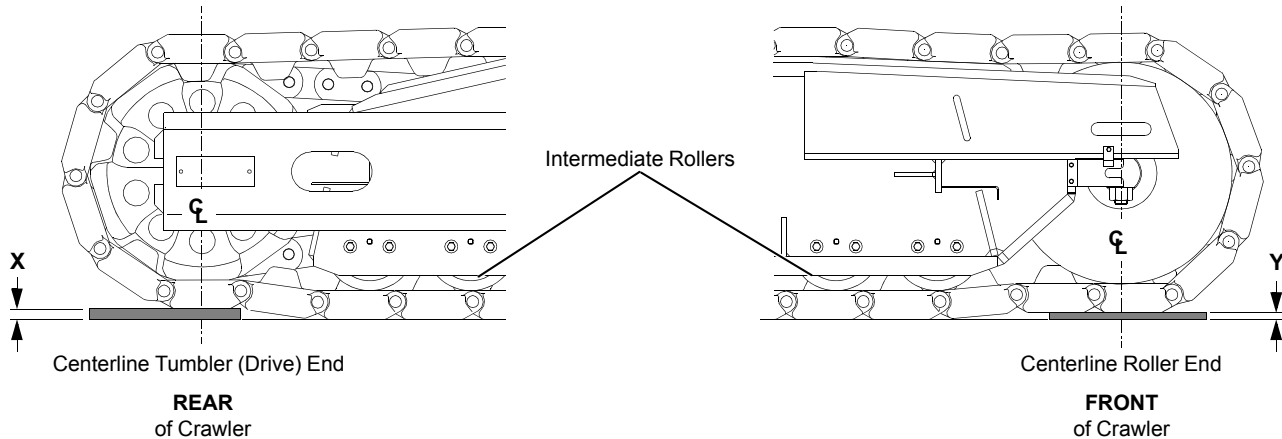


FIGURE 1

Model	Blocking Dimensions				Notes
	Tolerance: minus 0, plus 1/2 in (12,7 mm)				
	X Tumbler (Drive) End		Y Roller End		
	in	mm	in	mm	
M-50W	1-1/2	38,10	1-3/8	34,93	
M-65W	1-1/4	31,75	1-1/4	31,75	
M-80W	1-1/2	38,10	1-1/4	31,75	
M-85W	1-1/2	38,10	1-1/4	31,75	
MLC100-1	1-1/8	28,60	1-1/8	28,60	
MLC165	1	25,40	1-3/8	34,93	S/N 91651001 - 91651029
MLC165	1-3/8	34,93	1-1/4	31,75	S/N 91651101 and newer
MLC300	2-3/4	69,85	1-3/4	44,45	5
MLC650	2-3/8	60,33	2-5/8	66,68	7
111	1/2	12,70	1/2	12,70	
180	1-1/2	38,10	1-1/2	38,10	
222	1-1/2	38,10	1-1/2	38,10	
M-250, S2	1-1/4	31,75	1/2	12,70	
555	1-1/4	31,75	1-1/4	31,75	
777	1-1/2	38,10	3/4	19,05	4
777	1	25,40	1/4	6,35	5
888 S1, S2	1-1/8	28,58	1/2	12,70	
999	1	25,40	1/2	12,70	
1015	1/4	6,35	7/8	22,22	
2250	1	25,40	1/2	12,70	
2900WC	3/4	19,05	3/4	19,05	1
2900WC	1	25,40	1	25,40	2
3000W	1/4	6,35	1	25,40	3
3900	1/4	6,35	1/2	12,70	4, 5
3900W	1/4	6,35	1/2	12,70	6
3950D	1/4	6,35	3/4	19,05	
3950W	1/4	6,35	3/4	19,05	
4000	1/2	12,70	3/4	19,05	
4000W	1/4	6,35	1/2	12,70	
4100W S1, S2	5/8	15,88	1/2	12,70	
4600	5/8	15,88	5/8	15,88	
4600 S3	5/8	15,88	5/8	15,88	
4600 S4, S5	5/8	15,88	5/8	15,88	
6000W	1	25,40	1-1/4	31,75	
6000 S2	1	25,40	1-1/4	31,75	
7000	1	25,40	1-1/4	31,75	
14000	1	25,40	1/2	12,70	
15000	--	25,40	--	12,70	
16000	1-7/8	47,62	2-1/8	53,97	
18000	2-3/8	60,30	2-5/8	66,67	
21000	1-1/4	31,75	Not Applicable		
31000	Not Applicable		Not Applicable		

NOTES

- 1 – 30 in (762 mm) Crawler Treads
- 2 – 36 in (914) Crawler Treads
- 3 – 33 in (838 mm) Crawler Treads
- 4 – 38 in (965 mm) Crawler Treads
- 5 – 48 in (1 219 mm) Crawler Treads
- 6 – 24 in (610 mm) or 27 in (686 mm) Crawler Treads
- 7 – 60 in (1 524 mm) or 80 in (2 032 mm) Crawler Treads

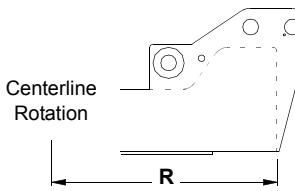
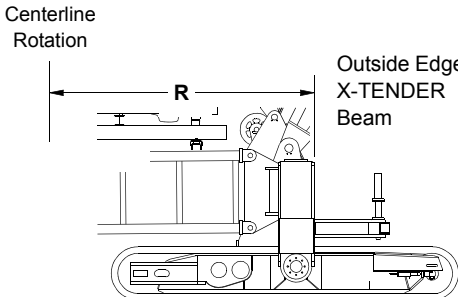
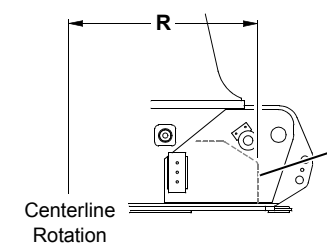
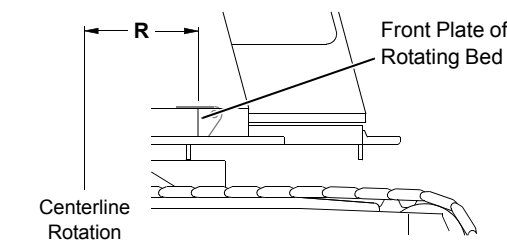
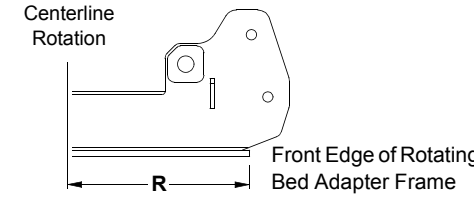
OPERATING RADIUS

OPERATING RADIUS is the horizontal distance from the crane's centerline of rotation to the center of the freely suspended load line or load block.

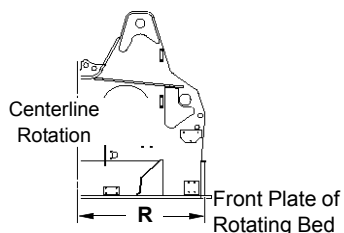
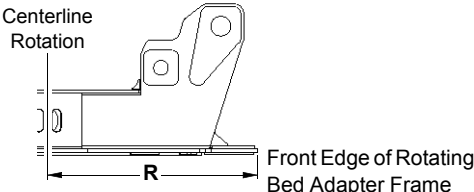
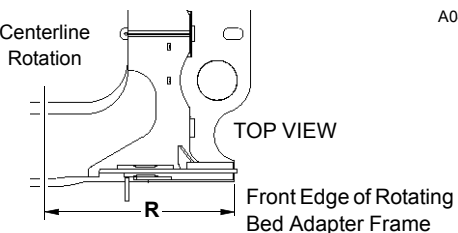
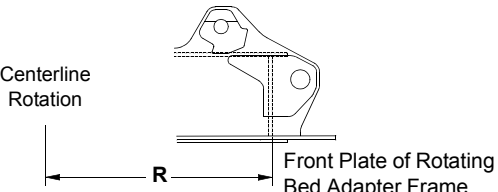
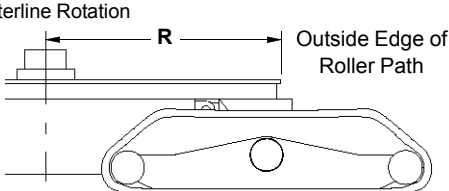
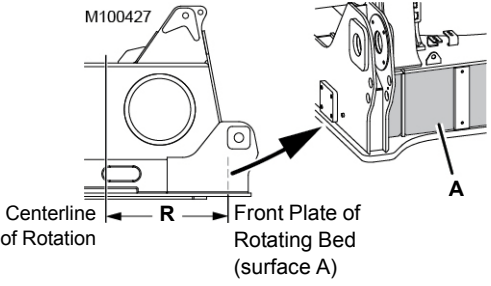
The centerline of rotation is difficult to locate. Therefore, deduct the radius (**R**) given in the table from the operating radius given on the capacity chart. Then measure from the point indicated in the appropriate illustration to the center of the load line or load block.

This practice will eliminate the need to find the crane's centerline of rotation when measuring operating radius.

Model	Radius – R		Identification
	ft-in	meters	
2000 2300	2-7	0,79	
3000 3000W 3600	3-2	0,96	
888	4-6	1,37	
2900T 2900WC	3-7	1,09	
3900 3900T 3900W or WT 3950D 3950W or WT 4000 4000W	4-5	1,35	
4100W	4-6	1,37	
4600 S-1, 2, 3	5-6	1,68	
4600 S-4, 5 6000W 6000 S-2 6400	5-7	1,70	
4000W RINGER® 4100W RINGER 36' P.R.	18-1	5,51	
7000	18-4	5,59	
4600 RINGERS 60' P.R.	30-0	9,14	
M-1200 RINGER	30-2	9,19	
888 RINGER	22-7	6,88	
M-50W	2-4	0,71	
M-80W	2-9	0,84	
M-65SC M-65T M-65W M-85T M-85W 111 180 222 222 Wagon	2-8	0,81	

Model	Radius – R		Identification
	ft-in	meters	
M-250 2250	6-1	1,85	 <p>Centerline Rotation</p> <p>Front Plate of Rotating Bed Adapter Frame</p>
4100W S-2 X-TENDER™ S-2	67-4	20,52	 <p>Centerline Rotation</p> <p>Outside Edge of X-TENDER Beam</p>
555	4-7 ¹ OR 5-4 ²	1,40 ¹ OR 1,63 ²	 <p>Centerline Rotation</p> <p>Front Plate of Rotating Bed OR Front of Front Counterweight</p>
A01066			
¹ Without front counterweight (cranes with free fall on both drums). ² With front counterweight (cranes with free fall on both drums)			
777 777T	3-11	1,19	
999	4-11	1,50	A967
15000	-	1,49	 <p>Centerline Rotation</p> <p>Front Plate of Rotating Bed</p>
1015	4-6	1,37	 <p>Centerline Rotation</p> <p>Front Edge of Rotating Bed Adapter Frame</p>

CAPACITY CHART INFORMATION

Model	Radius – R		Identification
	ft-in	meters	
14000	4-9	1,44	<p style="text-align: right;">A15809</p>  <p>Centerline Rotation</p> <p>Front Plate of Rotating Bed</p>
16000	6-1	1,85	<p style="text-align: right;">A10393</p>  <p>Centerline Rotation</p> <p>Front Edge of Rotating Bed Adapter Frame</p>
18000	5-7	1,79	<p style="text-align: right;">A04300</p>  <p>Centerline Rotation</p> <p>TOP VIEW</p> <p>Front Edge of Rotating Bed Adapter Frame</p>
21000	4-8	1,42	 <p>Centerline Rotation</p> <p>Front Plate of Rotating Bed Adapter Frame</p>
31000	20-3	6,17	 <p>Centerline Rotation</p> <p>Outside Edge of Roller Path</p>
MLC165 (S/N 91651001 – 91651029)	4-3	1,30	<p style="text-align: right;">M100427</p>  <p>Centerline of Rotation</p> <p>Front Plate of Rotating Bed (surface A)</p>

Model	Radius – R		Identification
	ft-in	meters	
MLC165 (S/N 91651101 and newer)	4-7	1,40	<p>M103164</p> <p>Centerline of Rotation ← R → Front Edge of Rotating Bed (surface A)</p>
MLC300	4-11	1,51	<p>M101753</p> <p>Centerline of Rotation ← R → Front Edge of Rotating Bed (surface A)</p>
MLC650	5-1	1,55	<p>M101754</p> <p>Centerline of Rotation ← R → Front Edge of Rotating Bed (surface A)</p>
MLC100-1	2-11	0,9	<p>M10485</p> <p>Centerline of Rotation ← R → Front Edge of Rotating Bed (surface A)</p>

CRANE STABILITY AND CRAWLER LIFT

Regarding “lifting” of crawlers during craning activities, be advised that the rated loads for these cranes as indicated on the crane’s Capacity Chart, do not exceed the stability requirements of the **ASME B30.5 Table 5-1.1.1-1 Crane Load Ratings** as determined by **SAE J765 OCT 90 “Cranes Stability Test Code.”** A portion of a crawler may lift off the ground or supporting surface during operation of the crane within the limits of the Capacity Chart, yet the crane will not have reached instability. The “balance point” for stability testing according to SAE and Manitowoc criteria is a condition of the loading wherein the load moment acting to overturn the crane is equal to the maximum moment of the crane available to resist overturning. This balance point or point of instability for a crane does not depend on the “lifting” of a crawler but rather a comparison of the “opposing” load moments.

The occurrence of a portion of a crawler lifting from the ground or supporting surface is often attributed to the natural flex in the crane’s lower works. This may happen when lifting a load in certain configurations within the limits of the Capacity Chart and is not necessarily an indication of an unstable condition.

Provided the crane is properly set up, the crane is in good working condition, that all operational aids are properly programmed, that the qualified crane operator adheres to the instructions found in the applicable Capacity Chart, Operator Manual, and decals on the crane, the crane should be stable.

WIND CONDITIONS
MODEL 888

Table of Contents

General.....	1
Manitowoc Recommendations	2
Operation Permitted.....	2
Operation Not Permitted	3

General

Wind adversely affects lifting capacity and stability as shown in Figure 1. The result could be loss of control over the load and crane, even if the load is within the crane's capacity.

WARNING



TIPPING CRANE HAZARD! Judgment and experience of qualified operators, job planners, and supervisors must be used to compensate for affect of wind on lifted load and boom by reducing ratings, reducing operating speeds, or a combination of both.

Failing to observe this precaution can cause crane to tip or boom and/or jib to collapse. Death or serious injury to personnel can result.

Wind speed (to include wind gusts) must be monitored by job planners and supervisors.

Beware that wind speed at the boom or jib point can be greater than wind speed at ground level. Also beware that the larger the sail area of the load, the greater the wind's affect on the load.

As a general rule, ratings and operating speeds must be reduced when:

Wind causes load to swing forward past allowable operating radius or sideways past either boom hinge pin.

**Manitowoc
Recommendations**

Operation Permitted

Operation is permitted in steady winds or wind gusts up to 35 mph (56 km/hr). However, ratings must be reduced the amount given in Tables 1 through 4 when the corresponding wind speed is reached.

For boom or boom and fixed jib in steady winds or wind gusts above 25 mph (40 km/hr) *at front of boom*, do not operate boom higher than 70° with loads less than 6,000 lb (2 722 kg). **Boom and jib could be blown over backwards if this precaution is not observed.**

For boom and luffing jib in steady winds or wind gusts above 15 mph (24 km/hr) *at front of boom*, do not operate luffing jib higher than 55° with loads less than 2,800 lb (1 270 kg). **Boom and jib could be blown over backwards if this precaution is not observed.**

Table 1
Rating Reductions for Various Wind Speeds and Wind Gusts
WHEN EQUIPPED WITH #22E OR 22EL BOOM ONLY

Boom Length ft (m)		70 – 180 (21.3 – 54.9)	190 – 240 (57.9 – 73.2)	250 – 290 (76.2 – 88.4)
Maximum Wind Speed (mph) (m/s)		Percent Rating Reduction		
15	7	0	0	0
20	9	0	0	10
25	11	0	0	20
30	13	0	10	40
35	16	0	20	60
Above 35 mph (16 m/s)		OPERATION NOT PERMITTED		

Table 2
Rating Reductions for Various Wind Speeds and Wind Gusts
WHEN EQUIPPED WITH #22E OR 22EL BOOM AND #123 OR 134 FIXED JIB

Fixed Jib Length ft (m)		30 – 60 (9.1 – 18.3)			70 – 80 (21.3 – 24.4)	
Boom Length ft (m)		90 – 200 (27.4 – 61.6)	210 – 250 (64.0 – 76.2)	260 – 270 (79.2 – 82.3)	90 – 200 (27.4 – 61.0)	210 – 250 (64.0 – 76.2)
Maximum Wind Speed (mph) (m/s)		Percent Rating Reduction				
15	7	0	0	0	0	0
20	9	0	0	0	0	0
25	11	0	0	10	0	0
30	13	0	10	40	0	30
35	16	0	30		10	
Above 35 mph (16 m/s)		OPERATION NOT PERMITTED				

Table 3
Rating Reductions for Various Wind Speeds and Wind Gusts
 WHEN EQUIPPED WITH #22EL BOOM AND #135 LUFFING JIB

Luffing Jib Length ft (m)		70 – 110 (21.3 – 33.5)			120 – 150 (36.6 – 45.7)			160 – 170 (48.8 – 51.8)		
Boom Length ft (m)		70 – 120 (21.3 – 36.6)	130 – 160 (39.6 – 48.8)	170 – 200 (51.8 – 61.0)	70 – 120 (21.3 – 36.6)	130 – 160 (39.6 – 48.8)	170 – 200 (51.8 – 61.0)	70 – 120 (21.3 – 36.6)	130 – 160 (39.6 – 48.8)	170 – 200 (51.8 – 61.0)
Maximum Wind Speed		Percent Rating Reduction								
mph	m/s									
15	7	0	0	0	0	0	0	0	0	0
20	9	0	0	0	0	0	0	0	0	0
25	11	0	0	0	0	10	50	0	50	
30	13	0	0	20	30					
35	16	0	20							
Above 35 mph (16 m/s)		OPERATION NOT PERMITTED								

Table 4
Rating Reductions for Various Wind Speeds and Wind Gusts
 WHEN EQUIPPED WITH #22EL BOOM, #135 LUFFING JIB AND #138 FIXED JIB

Total combination length ft (m)		330 – 350 (100.6 – 106.7)	360 – 380 (109.7 – 115.8)	390 – 430 (118.9 – 131.0)
Maximum Wind Speed		Percent Rating Reduction		
mph	m/s			
15	7	0	0	0
20	9	0	40	
Above 20 mph (9 m/s)		OPERATION NOT PERMITTED		

Operation Not Permitted

NOTE: For special conditions not covered below, contact Technical Services Department at factory.

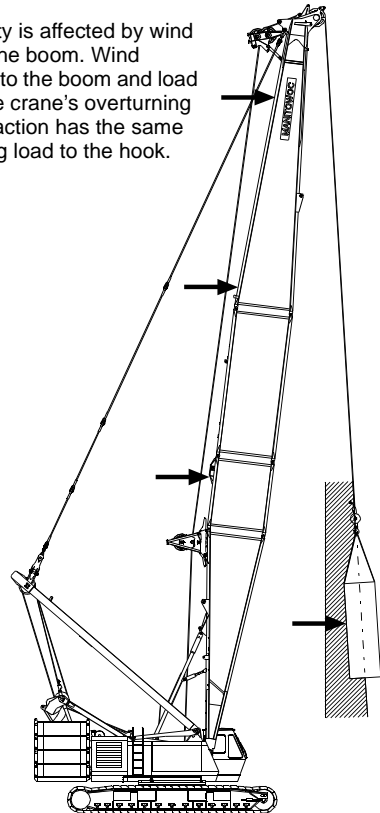
Boom, Boom with Fixed Jib, or Boom with Luffing Jib

- Up to 50 mph (22 m/s) —
 For boom or boom and fixed jib, park crane (upper in line with crawlers) with load blocks and weight balls on ground or secured and position boom no higher than 70°.
 For boom and luffing jib, park crane (upper in line with crawlers) with load blocks and weight balls on ground or secured and position boom at 70° and luffing jib at 55°.
- 50 mph (22 m/s) and Above —
 Lower boom and jib onto blocking at ground level.

Boom with Luffing Jib and Fixed Jib

- Up to 35 mph (16 m/s) —
 Park crane (upper in line with crawlers) with load blocks and weight balls on ground or secured and position boom at 70° and luffing jib at 55°.
- 35 mph (16 m/s) and Above —
 Lower boom and jibs onto blocking at ground level.

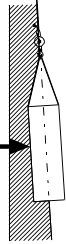
Forward stability is affected by wind on the rear of the boom. Wind applies a force to the boom and load that adds to the crane's overturning moment. This action has the same effect as adding load to the hook.



A910

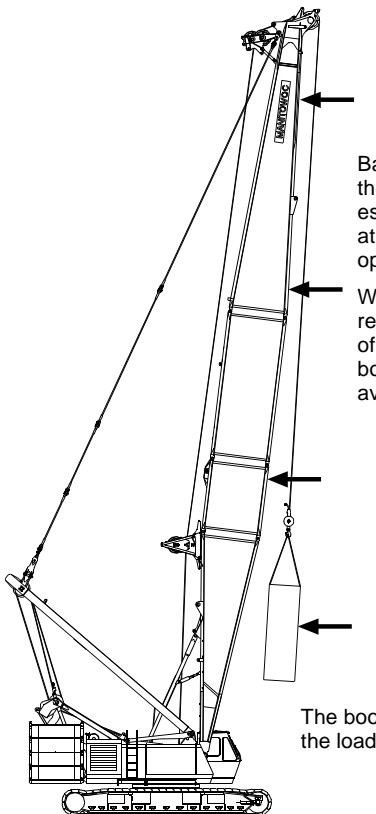
The wind's affect on the rear of the load increases load radius. This condition can result in an overload hazard, possibly causing the crane to tip or the boom to collapse.

To avoid this hazard, reduce operating speeds and load (see tables for recommended capacity reductions).



Backward stability is affected by wind on the front of the boom. This condition is especially dangerous when the boom is at or near the maximum angle when operating without load.

Wind forces on the front of the boom reduce the normal forward tipping effect of the boom. The crane can tip or the boom can collapse if this condition is not avoided.



The boom can buckle and collapse if the load contacts the boom.

Boom strength is affected the most when the wind acts on the side of the boom.

The wind's affect on the side of the load can cause the load to swing out past the boom hinge pin. This condition can result in excessive side load forces on the boom, possibly causing the crane to tip or the boom to collapse.

To avoid this hazard, reduce operating speeds and load (see tables for recommended capacity reductions).

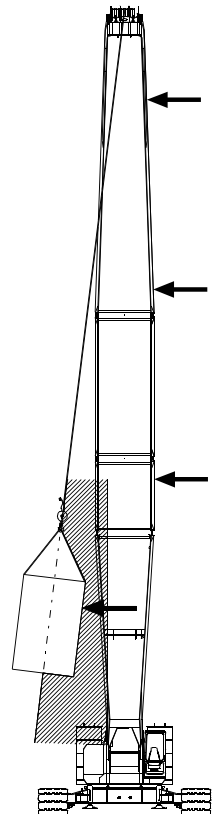


FIGURE 1



DRUM AND LAGGING CHART

888 SERIES 1
888 SERIES 2

TANDEM DRUMS								
BOOM NO. 22E WITH OPEN THROAT TOP								
APPLI CATION	DRUM LOCATI ON	DRUM PART NUMBER	TYPE OF DRUM	DRUM DI AMETER	DRUM WI DTH	OPTI ONAL GROOVED LAGGI NG PART NUMBER	LAGGI NG DI AMETER	WI RE ROPE SI ZE
LI FT CRANE								
HOI ST	FRONT	176516	BARE	19-1/2" (495 mm)	37" (940 mm)	502372	21-1/4" (540 mm)	26 mm
						502382	21-1/4" (540 mm)	1"
WHI P	REAR	176516	BARE	19-1/2" (495 mm)	37" (940 mm)	502372	21-1/4" (540 mm)	26 mm
						502382	21-1/4" (540 mm)	1"
						502373	27" (686 mm)	26 mm
						502383	27" (686 mm)	1"
HOI ST (AUXI LI ARY)	BOOM BUTT	177379	BARE	19-1/2" (495 mm)	37" (940 mm)	502372	21-1/4" (540 mm)	26 mm
						502382	21-1/4" (540 mm)	1"
CLAMSHELL								
CLOSI NG	FRONT	176516			37" (940 mm)	502374	21-1/4" (540 mm)	1" OR 26 mm
HOLDI NG	REAR	176516			37" (940 mm)	502374	21-1/4" (540 mm)	1" OR 26 mm
BOOM NO. 22E WITH LIGHT TAPERED TOP								
LI FT CRANE								
HOI ST	FRONT	176516	BARE	19-1/2" (495 mm)	37" (940 mm)	502372	21-1/4" (540 mm)	26 mm
						502382	21-1/4" (540 mm)	1"
WHI P	REAR	176516	BARE	19-1/2" (495 mm)	37" (940 mm)	502372	21-1/4" (540 mm)	26 mm
						502382	21-1/4" (540 mm)	1"
						502373	27" (686 mm)	26 mm
						502383	27" (686 mm)	1"

NOTE: WHEN OPTIONAL LAGGINGS ARE USED FOR LI FT CRANE APPLI CATION, THE RECOMMENDED LAGGI NG FOR SPECI FIC WI RE ROPE DI A. MUST BE USED.



DRUM AND LAGGING CHART

888 SERIES 1
888 SERIES 2

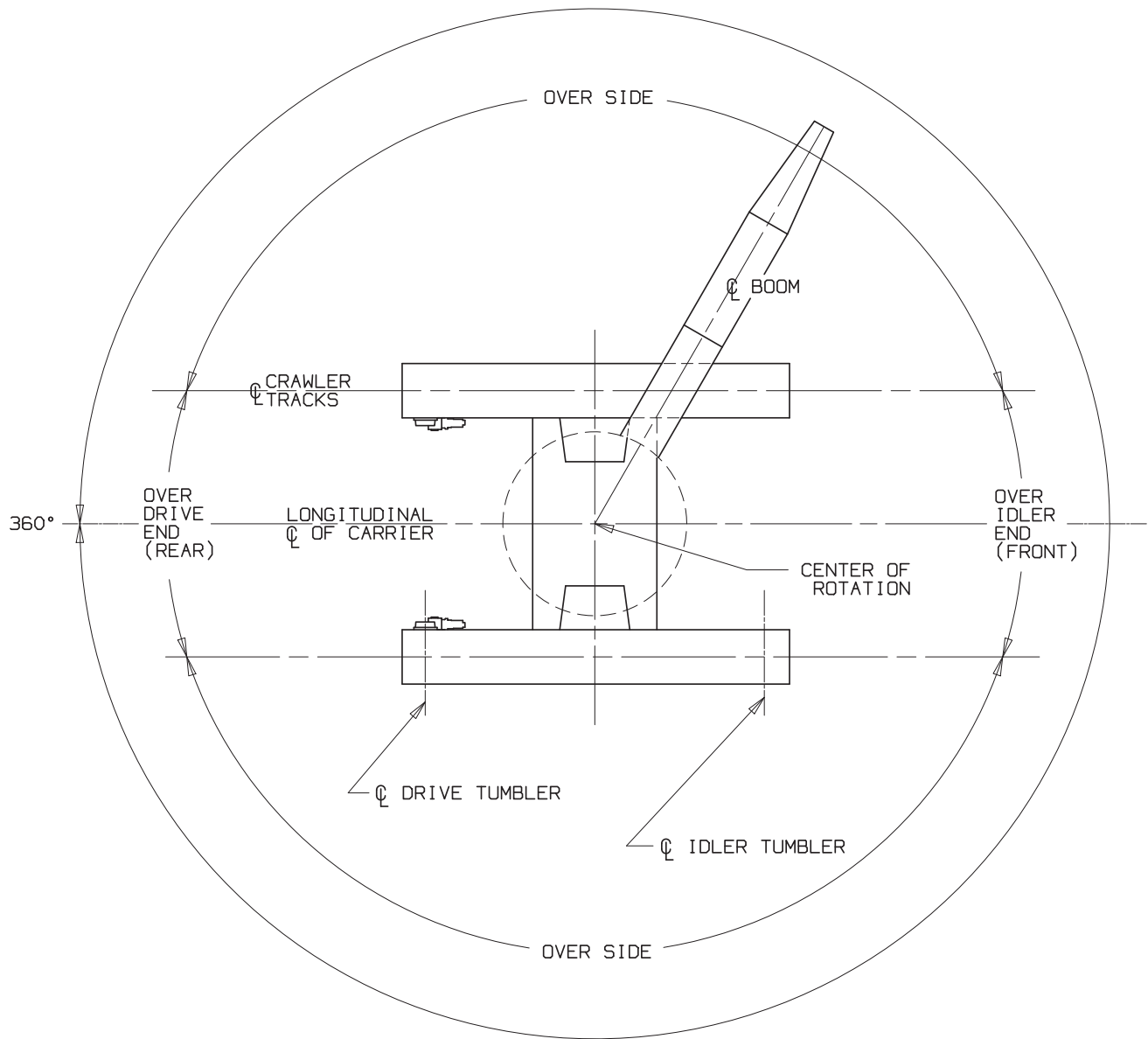
TANDEM DRUMS								
BOOM NO. 22EL								
APPLI CATION	DRUM LOCATI ON	DRUM PART NUMBER	TYPE OF DRUM	DRUM DI AMETER	DRUM WI DTH	OPTI ONAL GROOVED LAGGI NG PART NUMBER	LAGGI NG DI AMETER	WI RE ROPE SI ZE
LI FT CRANE - BASI C								
HOI ST	REAR	176516	BARE	19-1/2" (495 mm)	37" (940 mm)	502372	21-1/4" (540 mm)	26 mm
						502382	21-1/4" (540 mm)	1"
WHI P	FRONT	176516	BARE	19-1/2" (495 mm)	37" (940 mm)	502372	21-1/4" (540 mm)	26 mm
						502382	21-1/4" (540 mm)	1"
						502373	27" (686 mm)	26 mm
						502383	27" (686 mm)	1"
AUXI LI ARY	BOOM BUTT	177379	BARE	19-1/2" (495 mm)	37" (940 mm)	502372	21-1/4" (540 mm)	26 mm
						502382	21-1/4" (540 mm)	1"
CLAM SHELL								
CLOSI NG	FRONT	176516			37" (940 mm)	502374	21-1/4" (540 mm)	1" OR 26 mm
HOLDI NG	REAR	176516			37" (940 mm)	502374	21-1/4" (540 mm)	1" OR 26 mm
LI FT CRANE - LUFFI NG JI B								
HOI ST	FRONT	176516	BARE	19-1/2" (495 mm)	37" (940 mm)	502372	21-1/4" (540 mm)	26 mm
						502382	21-1/4" (540 mm)	1"
HOI ST (AUXI LI ARY)	BOOM BUTT	177379	BARE	19-1/2" (495 mm)	37" (940 mm)	502372	21-1/4" (540 mm)	26 mm
						502382	21-1/4" (540 mm)	1"

REAR DRUM EQUIPPED WITH LAGGI NG NO. 502372 OR NO. 502382 I S REQUI RED FOR USE AS LUFFI NG JI B HOI ST. RECOMMENDE D LAGGI NG FOR SPECI FI C WI RE ROPE DI A. MUST BE USED.

NOTE: WHEN OPTI ONAL LAGGI NGS ARE USED FOR LI FT CRANE APPLI CATION, THE RECOMMENDE D LAGGI NG FOR SPECI FI C WI RE ROPE DI A. MUST BE USED.

OPERATING RANGE DIAGRAM

888 SERIES 2



THESE LINES DETERMINE LIMITING POSITION OF ANY LOAD FOR OPERATION WITHIN WORKING AREAS INDICATED.

APPROVED WORKING AREAS FOR CRAWLER MACHINES ARE SHOWN IN ABOVE DIAGRAM.

LIFTING IS APPROVED ONLY IN THOSE AREAS FOR WHICH RATINGS ARE SHOWN ON CAPACITY CHARTS.

S/N: 8885093

MANITOWOC ENGINEERING CO.

Division of the Manitowoc Company, Inc. Manitowoc, Wisconsin 54220



WIRE ROPE SPECIFICATIONS

LIFTCRANE - BOOM NO. 22EL
LUFFING JIB NO. 135 ATTACHED

888 SERIES 1
888 SERIES 2

WIRE ROPE LENGTHS - FRONT DRUM					
BOOM LENGTH		HOIST LINE FRONT DRUM		888 SERIES 1 MAXIMUM REQUIRED	888 SERIES 2 MAXIMUM REQUIRED
FT.	METERS	FT.	METERS	PARTS OF LINE	PARTS OF LINE
70	21.3	1175	358	13	14
80	24.4	1225	373	12	13
90	27.4	1275	389	11	12
100	30.5	1300	396	10	11
110	33.5	1300	396	9	10
120	36.6	1425	434	9	10
130	39.6	1425	434	9	9
140	42.7	1425	434	8	8
150	45.7	1425	434	7	7
160	48.8	1425	434	7	7
170	51.8	1425	434		6
180	54.9	1425	434		6
190	57.9	1425	434		4

NOTE: HOIST LINE LENGTHS GIVEN IN TABLE WILL ALLOW HOOK TO TOUCH GROUND. WHEN BLOCK TRAVEL BELOW GROUND IS REQUIRED, ADD ADDITIONAL ROPE EQUAL TO PARTS OF LINE TIMES ADDED TRAVEL DISTANCE. HOISTING DISTANCE OR LINE PULL MAY BE LIMITED WHEN BLOCK TRAVEL BELOW GROUND IS REQUIRED. SEE TABLES BELOW FOR AUXILIARY DRUM APPLICATION.

HOIST REEVING FOR MAIN LOAD BLOCK - FRONT DRUM							
NO. PARTS OF LINE	1	2	3	4	5	6	7
MAXIMUM LOAD-LBS.	29,500	59,000	88,500	118,000	147,500	177,000	206,500
MAXIMUM LOAD-kg	13,380	26,760	40,140	53,520	66,900	80,290	93,670
NO. PARTS OF LINE	8	9	10	11	12	13	14
MAXIMUM LOAD-LBS.	236,000	265,500	295,000	324,500	354,000	383,500	394,200
MAXIMUM LOAD-kg	107,050	120,430	133,810	147,190	160,570	173,950	178,800

WIRE ROPE LENGTHS - AUXILIARY DRUM					
BOOM LENGTH		HOIST LINE AUXILIARY DRUM		888 SERIES 1 MAXIMUM REQUIRED	888 SERIES 2 MAXIMUM REQUIRED
FT.	METERS	FT.	METERS	PARTS OF LINE	PARTS OF LINE
80	24.4	1300	396	14	14
90	27.4	1450	442	14	14
100	30.5	1600	488	14	14
110	33.5	1750	533	14	14
120	36.6	1900	579	14	14
130	39.6	1900	579	12	13
140	42.7	1900	579	11	12
150	45.7	1900	579	11	11
160	48.8	1900	579	10	10
170	51.8	1900	579		9
180	54.9	1900	579		8
190	57.9	1900	579		4

NOTE: HOIST LINE LENGTHS GIVEN IN TABLE WILL ALLOW HOOK TO TOUCH GROUND. WHEN BLOCK TRAVEL BELOW GROUND IS REQUIRED, ADD ADDITIONAL ROPE EQUAL TO PARTS OF LINE TIMES ADDED TRAVEL DISTANCE. HOISTING DISTANCE OR LINE PULL MAY BE LIMITED WHEN BLOCK TRAVEL BELOW GROUND IS REQUIRED. MAXIMUM BLOCK TRAVEL WILL BE RESTRICTED WHEN HOIST LINE LENGTH EXCEEDS 1,600' (488m) USING AUXILIARY DRUM. AUXILIARY DRUM CAN NOT BE USED WITH 70' BOOM LENGTH.

CAPACITY CHART RESTRICTIONS WILL OCCUR WHEN AUXILIARY DRUM IS USED. MAXIMUM CAPACITY IS 280,000 LBS. (127,010 kg) WITH 14 PARTS LINE.

HOIST REEVING FOR MAIN LOAD BLOCK - AUXILIARY DRUM							
NO. PARTS OF LINE	1	2	3	4	5	6	7
MAXIMUM LOAD-LBS.	20,000	40,000	60,000	80,000	100,000	120,000	140,000
MAXIMUM LOAD-kg	9,070	18,140	27,220	36,290	45,360	54,430	63,500
NO. PARTS OF LINE	8	9	10	11	12	13	14
MAXIMUM LOAD-LBS.	160,000	180,000	200,000	220,000	240,000	260,000	280,000
MAXIMUM LOAD-kg	72,570	81,650	90,720	99,790	108,860	117,930	127,010

S/N: 8885093



WIRE ROPE SPECIFICATIONS

**LIFT CRANE - BOOM NO. 22EL
 LUFFING JIB NO. 135 ATTACHED**

**888 SERIES 1
 888 SERIES 2**

WIRE ROPE SPECIFICATIONS	
<u>ROTATION RESISTANT WIRE ROPE - 5 : 1 SAFETY FACTOR</u>	
HOIST LINE:	26 mm - 2 160 N/mm ² WIRE ROPE (REF. MEC PART NO. 719379) MINIMUM BREAKING STRENGTH REQUIRED = 147,500 LBS. (656.1 kN) APPROX. WEIGHT = 2.13 LBS. PER FT. (3.17 kg/m)
OR	
	1" - 2 160 N/mm ² WIRE ROPE (MEC PART NO. 719392) MINIMUM BREAKING STRENGTH = 153,800 LBS. (684.2 kN) APPROX. WEIGHT = 2.03 LBS. PER FT. (3.02 kg/m)
<u>OPTIONAL WIRE ROPE - 3.5 : 1 SAFETY FACTOR</u>	
HOIST LINE:	26 mm - 6 X 25 FILLER WIRE, EXTRA IMPROVED PLOW STEEL, RIGHT REGULAR LAY, IWRC (MEC PART NO. 719387) MINIMUM BREAKING STRENGTH 108,600 LBS. (483.1 kN) APPROX. WEIGHT = 1.94 LBS. PER FT. (2.89 kg/m)
OR	
	1" - 6 X 25 FILLER WIRE, EXTRA IMPROVED PLOW STEEL, RIGHT REGULAR LAY, IWRC (MEC PART NO. 719060) MINIMUM BREAKING STRENGTH 103,400 LBS. (460 kN) APPROX. WEIGHT = 1.85 LBS. PER FT. (2.75 kg/m)

NOTE: BLOCK SPIN MAY OCCUR WITH 6 X 25 CONSTRUCTION WIRE ROPE UNDER CERTAIN OPERATING CONDITIONS.

MAXIMUM SPOOLING CAPACITIES	
FRONT DRUM: (HOIST LINE)	26 mm WIRE ROPE - 7 LAYERS - 1,609' (490m) 7 LAYERS - 1,716' (523m) WITH 21-1/4" (540 mm) DIA. LAGGING 1" WIRE ROPE - 7 LAYERS - 1,623' (495m) 7 LAYERS - 1,731' (528m) WITH 21-1/4" (540 mm) DIA. LAGGING
AUXILIARY DRUM: (HOIST LINE)	26 mm WIRE ROPE - 6 LAYERS - 1,323' (403m) 6 LAYERS - 1,415' (431m) WITH 21-1/4" (540 mm) DIA. LAGGING 1" WIRE ROPE - 6 LAYERS - 1,335' (407m) 6 LAYERS - 1,428' (435m) WITH 21-1/4" (540 mm) DIA. LAGGING
17' (5m) IS DEDUCTED FROM MAXIMUM SPOOLING CAPACITIES FOR 3 DEAD WRAPS PER DRUM OR LAGGING.	

NOTE: WHEN OPTIONAL LAGGINGS ARE USED, THE RECOMMENDED LAGGING FOR SPECIFIC WIRE ROPE DIA. MUST BE USED.

REFER TO DRUM AND LAGGING CHART NO. 6119-A.



Wire Rope Specifications

888 SERIES 1, 2

Liftcrane - Luffing Jib No. 135 on Boom No. 22EL

Wire Rope Lengths - Front Drum											
Boom and Luffing Jib Length		Luffing Jib Hoist Line Front Drum								Intermediate Fall Front Drum	
		4 Part		3 Part		2 Part		1 Part		1 Part	
Ft.	Meters	Ft.	Meters	Ft.	Meters	Ft.	Meters	Ft.	Meters	Ft.	Meters
140	42.7	750	229					310	95		
150	45.7	800	244					330	101		
160	48.8	850	259	700	213			350	107		
170	51.8	900	274	725	221			370	113		
180	54.9	950	290	775	236			390	119	320	98
190	57.9	1000	305	800	244			410	125	340	104
200	61.0	1050	320	850	259	650	198	430	131	360	110
210	64.0	1100	335	900	274	675	206	450	137	380	116
220	67.1	1150	351	925	282	700	213	470	143	400	122
230	70.1	1200	366	975	297	750	229	490	149	420	128
240	73.2	1250	381	1000	305	775	236	510	155	440	134
250	76.2	—	—	1050	320	800	244	530	162	460	140
260	79.2	—	—	1100	335	825	251	550	168	480	146
270	82.3	—	—	1125	343	850	259	570	174	500	152
280	85.3	—	—	1175	358	875	267	590	180	520	158
290	88.4	—	—	1200	366	925	282	610	186	540	165
300	91.4	—	—	—	—	950	290	630	192	560	171
310	94.5	—	—	—	—	975	297	650	198	580	177
320	97.5	—	—	—	—	1000	305	670	204	580	177
330	100.6	—	—	—	—	1025	312	690	210	580	177
340	103.6	—	—	—	—	1050	320	710	216	580	177
350	106.7	—	—	—	—	1100	335	730	223	580	177
360	109.7	—	—	—	—	1125	343	750	229	580	177
370	112.8	—	—	—	—	1150	351	770	235	—	—

Note: Hoist line lengths given in table will allow hook to touch ground. When block travel below ground is required, add additional rope equal to parts of line times added travel distance. Hoisting distance or line pull may be limited when block travel below ground is required. See tables on page 2 for auxiliary drum application.

Hoist Reeving for Main Load Block - Front Drum				
No. Parts of Line	1	2	3	4
Maximum Load - Lbs.	29,500	59,000	88,500	105,500
Maximum Load - kg	13 380	26 760	40 140	47 400



Wire Rope Specifications

888 SERIES 1, 2

Liftcrane - Luffing Jib No. 135 on Boom No. 22EL

Wire Rope Lengths - Auxiliary Drum											
Boom and Luffing Jib Length		Luffing Jib Hoist Line Auxiliary Drum								Intermediate Fall Auxiliary Drum	
		4 Part		3 Part		2 Part		1 Part		1 Part	
Ft.	Meters	Ft.	Meters	Ft.	Meters	Ft.	Meters	Ft.	Meters	Ft.	Meters
150	45.7	800	244					330	101		
160	48.8	850	259					350	107		
170	51.8	900	274					370	113		
180	54.9	950	290					390	119		
190	57.9	1000	305					410	125	340	104
200	61.0	1050	320	850	259			430	131	360	110
210	64.0	1100	335	900	274			450	137	380	116
220	67.1	1150	351	925	282			470	143	400	122
230	70.1	1200	366	975	297			490	149	420	128
240	73.2	1250	381	1000	305	775	236	510	155	440	134
250	76.2	1300	396	1050	320	800	244	530	162	460	140
260	79.2	1350	411	1100	335	825	251	550	168	480	146
270	82.3	1400	427	1125	343	850	259	570	174	500	152
280	85.3	1450	442	1175	358	875	267	590	180	520	158
290	88.4	1500	457	1200	366	925	282	610	186	540	165
300	91.4	—	—	1225	373	950	290	630	192	560	171
310	94.5	—	—	1275	389	975	297	650	198	580	177
320	97.5	—	—	1300	396	1000	305	670	204	580	177
330	100.6	—	—	1350	411	1025	312	690	210	580	177
340	103.6	—	—	1400	427	1050	320	710	216	580	177
350	106.7	—	—	—	—	1100	335	730	223	580	177
360	109.7	—	—	—	—	1125	343	750	229	580	177
370	112.8	—	—	—	—	1150	351	770	235	—	—

Note: Hoist line lengths given in table will allow hook to touch ground. When block travel below ground is required, add additional rope equal to parts of line times added travel distance. Hoisting distance or line pull may be limited when block travel below ground is required. Auxiliary drum can not be used with 70 Ft. (21.3m) boom length.

Capacity chart restrictions will occur when auxiliary drum is used. Maximum capacity is 80,000 Lbs. (36 290 kg) with four parts line. Intermediate fall maximum capacity is 15,000 Lbs. (6 800 kg).

Hoist Reeving for Main Load Block - Auxiliary Drum				
No. Parts of Line	1	2	3	4
Maximum Load - Lbs.	20,000	40,000	60,000	80,000
Maximum Load - kg	9 070	18 140	27 220	36 290



Wire Rope Specifications

888 SERIES 1, 2

Liftcrane - Luffing Jib No. 135 on Boom No. 22EL

Wire Rope Specifications	
<u>Rotation Resistant Wire Rope - 5:1 Safety Factor</u>	
Hoist Line or Intermediate Fall Line:	26 mm - 2 160 N/mm ² Wire Rope (Ref. MCC Part No. 719379) Minimum Breaking Strength Required = 147,500 Lbs. (656.1 kN) Approx. Weight = 2.13 Lbs. Per Ft. (3.17 kg/m)
Or	
	1 in. - 2 160 N/mm ² Wire Rope (MCC Part No. 719392) Minimum Breaking Strength Required = 153,800 Lbs. (684.2 kN) Approx. Weight = 2.03 Lbs. Per Ft. (3.02 kg/m)
<u>Optional Wire Rope - 3.5:1 Safety Factor</u>	
Hoist Line or Intermediate Fall Line:	26 mm - 6 x 25 Filler Wire, Extra Improved Plow Steel Right Regular Lay, IWRC (MCC Part No. 719387) Minimum Breaking Strength = 108,600 Lbs. (483.1 kN) Approx. Weight = 1.94 Lbs. Per Ft. (2.89 kg/m)
Or	
	1 in. - 6 x 25 Filler Wire, Extra Improved Plow Steel Right Regular Lay, IWRC (MCC Part No. 719060) Minimum Breaking Strength = 103,400 Lbs. (460 kN) Approx. Weight = 1.85 Lbs. Per Ft. (2.75 kg/m)

Maximum Spooling Capacities	
Front Drum: (Hoist Line)	26 mm Wire Rope - 7 Layers - 1,609 Ft. (490m) 7 Layers - 1,716 Ft. (523m) with 21-1/4 in. (540 mm) Dia. Lagging
	1 in. Wire Rope - 7 Layers - 1,623 Ft. (495m) 7 Layers - 1,731 Ft. (528m) with 21-1/4 in. (540 mm) Dia. Lagging
Auxiliary Drum: (Hoist Line or Intermediate Fall Line)	26 mm Wire Rope - 6 Layers - 1,323 Ft. (403m) 6 Layers - 1,415 Ft. (431m) with 21-1/4 in. (540 mm) Dia. Lagging
	1 in. Wire Rope - 6 Layers - 1,335 Ft. (407m) 6 Layers - 1,428 Ft. (435m) with 21-1/4 in. (540 mm) Dia. Lagging
17 Ft. (5m) is deducted from maximum spooling capacities for 3 dead wraps per drum or lagging.	

Note: When optional laggings are used, the recommended lagging for specific wire rope diameter must be used.

Refer to drum and lagging chart No. 6119-A.

S/N: 8885093

S/N: 8885093



Luffing Jib Raising Procedure

888 SERIES 1, 2

Luffing Jib No. 135 On Boom No. 22EL

Recommended boom and luffing jib raising and lowering procedure

888 SERIES 1 must be equipped with 144,100 Lb. (65 360 kg) crane counterweight and 888 SERIES 2 must be equipped with 179,100 Lb. (81 240 kg) crane counterweight and 44,000 Lb. (19 960 kg) carbody counterweight for raising and lowering various boom and luffing jib combinations. Refer to luffing jib rigging assembly **No. 177063** or **No. 177354** (without intermediate fall) or **No. A07691** (with intermediate fall) for boom and luffing jib make-up of inserts, pendants and miscellaneous parts, etc.

Three methods may be used to raise and lower boom and luffing jib combinations, depending on length.

A. Fold Under Jack-Knife Method

Raising:

Boom and luffing jib are assembled in fold under position. Boom and luffing jib must be inline over front of blocked crawlers prior to raising boom and luffing jib. Slowly raise boom, luffing jib point wheels will roll along ground. When luffing jib hinge pin is 30 Ft. (9.1m) off ground, connect luffing jib pendants. Move luffing jib top wire rope guide to working position. Tighten luffing jib suspension with luffing jib hoist. Slowly raise boom until luffing jib is vertical and luffing jib point wheels are clear of ground. Tighten luffing jib suspension with luffing jib hoist. Boom and luffing jib are then raised together using boom hoist until boom reaches desired boom operating range. Luffing jib radius must be within capacity chart before swinging over side of machine.

Lowering:

Position boom at 75 degrees with boom and luffing jib inline over front of blocked crawlers prior to lowering luffing jib. Slowly lower luffing jib to vertical. Lower boom until luffing jib point wheels are just clear of ground. Slowly boom down and assist luffing jib point wheels in fold under direction. Boom down until luffing jib hinge pin is 30 Ft. (9.1m) off ground. Disconnect luffing jib pendants. Move luffing jib top wire rope guide to stowed position. Raise luffing jib strut with luffing jib hoist until luffing jib strut is in line with luffing jib. Lower boom and luffing jib to ground.

Boom and luffing jib combinations in table below may be raised and lowered using fold under jack-knife method. Boom length shown with pound sign (#) requires only the middle two sheaves in lower boom point. All other sheaves must be removed from lower boom point. Boom lengths shown with asterisk (*) require lower boom point to be removed.

888 SERIES 1				888 SERIES 2 Without Intermediate Fall				888 SERIES 2 With Intermediate Fall			
Maximum Boom and Luffing Jib Lengths Lifted Unassisted Over Front Of Blocked Crawlers Using Fold Under Jack-Knife Method				Maximum Boom and Luffing Jib Lengths Lifted Unassisted Over Front Of Blocked Crawlers Using Fold Under Jack-Knife Method				Maximum Boom and Luffing Jib Lengths Lifted Unassisted Over Front Of Blocked Crawlers Using Fold Under Jack-Knife Method			
Boom Length		Luffing Jib No. 135		Boom Length		Luffing Jib No. 135		Boom Length		Luffing Jib No. 135	
Feet	Meters	Feet	Meters	Feet	Meters	Feet	Meters	Feet	Meters	Feet	Meters
90	27.4	70	21.3	90	27.4	70	21.3	130	39.6	110	33.5
100	30.5	70 - 80	21.3 - 24.4	100	30.5	70 - 80	21.3 - 24.4	140	42.7	110 - 120	33.5 - 36.6
110	33.5	70 - 90	21.3 - 27.4	110	33.5	70 - 90	21.3 - 27.4	150	45.7	110 - 130	33.5 - 39.6
120	36.6	70 - 100	21.3 - 30.5	120	36.6	70 - 100	21.3 - 30.5	160	48.8	110 - 140	33.5 - 42.7
130	39.6	70 - 110	21.3 - 33.5	130	39.6	70 - 110	21.3 - 33.5	170	51.8	110 - 150	33.5 - 45.7
140	42.7	70 - 120	21.3 - 36.6	140	42.7	70 - 120	21.3 - 36.6	180	54.9	110 - 160	33.5 - 48.8
150	45.7	70 - 130	21.3 - 39.6	150	45.7	70 - 130	21.3 - 39.6	*190	57.9	110 - 170	33.5 - 51.8
160	48.8	70 - 140	21.3 - 42.7	160	48.8	70 - 140	21.3 - 42.7	*200	61.0	110 - 150	30.5 - 45.7
*170	51.8	80 - 150	24.4 - 45.7	170	51.8	70 - 150	21.3 - 45.7	Load blocks, hook and weight ball on ground until boom and luffing jib are erected.			
Load blocks, hook and weight ball on ground until boom and luffing jib are erected.				180	54.9	70 - 160	21.3 - 48.8				
				#190	57.9	70 - 170	21.3 - 51.8				
				*200	61.0	100 - 170	30.5 - 51.8				
				Load blocks, hook and weight ball on ground until boom and luffing jib are erected.							



Luffing Jib Raising Procedure

888 SERIES 1, 2

Luffing Jib No. 135 On Boom No. 22EL

B. Layout In-Line Method

Boom and luffing jib are assembled in layout, end to end, position. Boom and luffing jib must be inline over front of blocked crawlers prior to raising boom and luffing jib. Slowly raise boom until luffing jib stop strut is just clear of ground. Attach luffing jib stop pendants and unpin luffing jib stop inner strut from retracted position. Slowly raise boom until luffing jib stop strut is fully extended and pins engaged (approximately 168 degree boom to luffing jib angle). Tighten luffing jib suspension with luffing jib hoist. Boom and luffing jib can then be raised simultaneously using only the boom hoist. Reverse this procedure when lowering boom and luffing jib.

Boom and luffing jib combinations in table below may be raised and lowered using layout in-line method.

888 SERIES 1			
Maximum Boom and Luffing Jib Lengths Lifted Unassisted Over Front Of Blocked Crawlers Using Layout In-Line Method			
Boom Length		Luffing Jib No. 135	
Feet	Meters	Feet	Meters
70	21.3	70 - 170	21.3 - 51.8
80	24.4	70 - 170	21.3 - 51.8
90	27.4	70 - 170	21.3 - 51.8
100	30.5	70 - 170	21.3 - 51.8
110	33.5	70 - 170	21.3 - 51.8
120	36.6	70 - 140	21.3 - 42.7
130	39.6	70 - 120	21.3 - 36.6
140	42.7	70 - 90	21.3 - 27.4
150	45.7	70	21.3

Load blocks, hook and weight ball on ground until boom and luffing jib are erected.

888 SERIES 2					
Maximum Boom and Luffing Jib Lengths Lifted Unassisted Over Front Of Blocked Crawlers Using Layout In-Line Method					
Boom Length		Luffing Jib No. 135 Without Intermediate Fall		Luffing Jib No. 135 With Intermediate Fall	
Feet	Meters	Feet	Meters	Feet	Meters
70	21.3	70 - 170	21.3 - 51.8	110 - 170	33.5 - 51.8
80	24.4	70 - 170	21.3 - 51.8	110 - 170	33.5 - 51.8
90	27.4	70 - 170	21.3 - 51.8	110 - 170	33.5 - 51.8
100	30.5	70 - 170	21.3 - 51.8	110 - 170	33.5 - 51.8
110	33.5	70 - 170	21.3 - 51.8	110 - 170	33.5 - 51.8
120	36.6	70 - 170	21.3 - 51.8	110 - 160	33.5 - 48.8
130	39.6	70 - 160	21.3 - 48.8	110 - 150	33.5 - 45.7
140	42.7	70 - 150	21.3 - 45.7	110 - 130	33.5 - 39.6
150	45.7	70 - 120	21.3 - 36.6	110	33.5
160	48.8	70 - 100	21.3 - 30.5		
170	51.8	70 - 80	21.3 - 24.4		

Load blocks, hook and weight ball on ground until boom and luffing jib are erected.



Luffing Jib Raising Procedure

Luffing Jib No. 135 On Boom No. 22EL

888 SERIES 1, 2

C. Layout Jack-Knife Method

Longer boom and luffing jib combinations must be raised and lowered using this method. In some cases, fold under jack-knife method may be used where boom and luffing jib combinations exceed layout in-line method for raising and lowering.

Raising:

Boom and luffing jib are assembled in layout, end to end, position. Boom and luffing jib must be inline over front of blocked crawlers prior to raising boom and luffing jib. Slowly raise boom until luffing jib stop strut is just clear of ground. Attach luffing jib stop pendants and unpin luffing jib stop inner strut from retracted position. Slowly raise boom until luffing jib stop strut is fully extended and pins engaged (approximately 168 degree boom to luffing jib angle). Boom is then raised while luffing jib point wheels are allowed to roll on ground. Tension should be applied to luffing jib hoist to keep luffing jib strut off luffing jib during boom raising. Boom up until boom to luffing jib angle reaches value specified in table below or vertical, whichever occurs first. Tighten luffing jib suspension with luffing jib hoist. Boom and luffing jib are then raised together using boom hoist until boom reaches desired boom operating angle. Luffing jib radius must be within capacity chart before swinging over side of machine.

Lowering:

Position boom at 75 degrees with boom and luffing jib inline over front of blocked crawlers prior to lowering luffing jib. Lower luffing jib until boom to luffing jib angle reaches value specified in table below. Lower boom until luffing jib point wheels contact ground. If luffing jib is hanging vertical, raise luffing jib a few degrees forward of vertical. Continue to lower boom while luffing jib rolls along ground. Keep enough tension on luffing jib hoist to keep luffing jib strut off luffing jib. Stop lowering boom when luffing jib stop pendants start to go into tension (approximately 168 degree boom to luffing jib angle). Disengage luffing jib stop strut pins and lower boom to retract luffing jib stop inner strut. Pin strut in retracted position and unpin luffing jib stop pendants. Rotate luffing jib stop struts forward and lower boom and luffing jib to ground.

Boom and luffing jib combinations in table below and tables on page 4 require layout jack knifing to a specified boom to luffing jib angle for raising and lowering. Boom length shown with pound sign (#) requires only the middle two sheaves in lower boom point. All other sheaves must be removed from lower boom point. Boom lengths shown with asterisk (*) require lower boom point to be removed.

888 SERIES 1				
Maximum Boom and Luffing Jib Lengths Lifted Unassisted Over Front Of Blocked Crawlers Using Layout Jack-Knife Method				
Boom Length		Luffing Jib No. 135		Boom To Luffing Jib Angle
Feet	Meters	Feet	Meters	Degrees
120	36.6	150 - 170	45.7 - 51.8	90
130	39.6	130 - 170	39.6 - 51.8	90
140	42.7	100 - 170	30.5 - 51.8	90
150	45.7	80 - 170	24.4 - 51.8	90
160	48.8	70 - 170	21.3 - 51.8	60
*170	51.8	80 - 150	24.4 - 45.7	60
Load blocks, hook and weight ball on ground until boom and luffing jib are erected.				



Luffing Jib Raising Procedure

888 SERIES 1, 2

Luffing Jib No. 135 On Boom No. 22EL

Boom length shown with pound sign (#) requires only the middle two sheaves in lower boom point. All other sheaves must be removed from lower boom point. Boom lengths shown with asterisk (*) require lower boom point to be removed.

888 SERIES 2 Without Intermediate Fall				
Maximum Boom and Luffing Jib Lengths Lifted Unassisted Over Front Of Blocked Crawlers Using Layout Jack-Knife Method				
Boom Length		Luffing Jib No. 135		Boom To Luffing Jib Angle
Feet	Meters	Feet	Meters	Degrees
130	39.6	170	51.8	90
140	42.7	160 - 170	48.8 - 51.8	90
150	45.7	130 - 170	39.6 - 51.8	90
160	48.8	110 - 170	33.5 - 51.8	90
170	51.8	90 - 170	27.4 - 51.8	90
180	54.9	70 - 170	21.3 - 51.8	90
#190	57.9	70 - 170	21.3 - 51.8	60
*200	61.0	100 - 170	30.5 - 51.8	60

Load blocks, hook and weight ball on ground until boom and luffing jib are erected.

888 SERIES 2 With Intermediate Fall				
Maximum Boom and Luffing Jib Lengths Lifted Unassisted Over Front Of Blocked Crawlers Using Layout Jack-Knife Method				
Boom Length		Luffing Jib No. 135		Boom To Luffing Jib Angle
Feet	Meters	Feet	Meters	Degrees
120	33.6	170	51.8	90
130	39.6	160 - 170	48.8 - 51.8	90
140	42.7	140 - 170	42.7 - 51.8	90
150	45.7	120 - 170	36.6 - 51.8	90
160	48.8	110 - 170	33.5 - 51.8	90
170	51.8	110 - 170	33.5 - 51.8	90
180	54.9	110 - 170	33.5 - 51.8	60
*190	57.9	110 - 170	33.5 - 51.8	60
*200	61.0	110 - 150	33.5 - 45.7	60

Load blocks, hook and weight ball on ground until boom and luffing jib are erected.



Maximum Allowable Travel Specifications

888 SERIES 1
888 SERIES 2

Boom No. 22EL
Luffing Jib No. 135

A. Jobsite Travel

1. MACHINE TRAVEL WITH LOAD

- a. Machine to travel on firm, level, and uniformly supporting surface with boom and luffing jib within angle range shown in capacity chart. Grade in any direction must not exceed 1/2 percent (0.25 degrees).
- b. Travel surface must be firm, level and uniformly supporting. Capacity charts are based on static conditions; therefore judgment must be used to allow for dynamic effects of traveling with load.
- c. Refer to operators manual for maximum wind speed for various boom and luffing jib combinations.

2. MACHINE TRAVEL WITHOUT LOAD

- a. Set boom to approximately 75 degree boom angle (plus or minus 1 degree) and set luffing jib at 35 to 50 degrees above horizontal.
- b. Machine to travel on a firm and uniformly supporting surface. Grade in direction of travel should not exceed 15 percent (8.5 degrees). See table below for grade vs. angle. When traveling on uphill grade, lower boom the corresponding degrees for grade to be traveled. When traveling on downhill grade, raise boom the corresponding degrees for grade to be traveled. Side to side grade must not exceed 1 percent (0.5 degrees).
- c. Load block suspended below luffing jib point or tied off to machine rotating bed.
- d. Travel with crane upperworks in-line with crawlers and travel motors to rear. Maintain one percent grade at boom hinge pins when cutting (steering on grade). Return to in-line position for continuation of travel.
- e. Refer to operators manual for maximum wind speed for various boom and luffing jib combinations.

Percent Grade vs. Angle In Degrees	
% Grade	Angle
1	0.5
3	1.7
6	3.4
9	5.1
12	6.8
15	8.5

S/N: 8885093

MANITOWOC ENGINEERING CO.

Division of the Manitowoc Company, Inc. Manitowoc, Wisconsin 54220



LIFTCRANE BOOM CAPACITIES WITH LUFFING JIB ATTACHED

MEETS
ANSI B30.5
REQUIREMENTS

888 SERIES 1

**BOOM NO. 22EL
LUFFING JIB NO. 135
144,100 LB. COUNTERWEIGHT
28'2" CRAWLERS EXTENDED
360 DEGREE RATING**

CAPACITIES FOR VARIOUS BOOM LENGTHS AND OPERATING RADII ARE FOR FREELY SUSPENDED LOADS AND DO NOT EXCEED 75% OF A STATIC TIPPING LOAD. CAPACITIES BASED ON STRUCTURAL COMPETENCE ARE DENOTED BY AN ASTERISK (*).

WEIGHT OF ALL LOAD BLOCKS, HOOKS, WEIGHT BALL, SLINGS, HOIST LINES, ETC., BENEATH BOOM POINT SHEAVES, IS CONSIDERED PART OF MAIN BOOM LOAD. WEIGHT OF LUFFING JIB AND 2,825 LBS. SUSPENDED BENEATH LUFFING JIB POINT SHEAVES HAVE BEEN INCLUDED IN CAPACITY DETERMINATION. BOOM IS NOT TO BE LOWERED BEYOND RADII WHERE COMBINED WEIGHTS ARE GREATER THAN RATED CAPACITY. WHERE NO CAPACITY IS SHOWN, OPERATION IS NOT INTENDED OR APPROVED.

MACHINE TO OPERATE IN A LEVEL POSITION ON A FIRM UNIFORMLY SUPPORTING SURFACE WITH CRAWLERS FULLY EXTENDED AND GANTRY UP. DURING OPERATION, LUFFING JIB MUST BE MAINTAINED AT PROPER BOOM TO LUFFING JIB ANGLE SHOWN IN TABLE. REFER TO LUFFING JIB ASSEMBLY NO. 177063 OR NO. 177354, WIRE ROPE SPECIFICATION CHART NO. 7824-A AND LUFFING JIB RAISING PROCEDURE CHART NO. 7826-A. CRANE OPERATOR JUDGMENT MUST BE USED TO ALLOW FOR DYNAMIC LOAD EFFECTS OF SWINGING, HOISTING OR LOWERING, TRAVEL, WIND CONDITIONS, AS WELL AS ADVERSE OPERATING CONDITIONS AND PHYSICAL MACHINE DEPRECIATION. REFER TO OPERATORS MANUAL FOR OPERATING GUIDELINES.

MACHINE TO TRAVEL ON A FIRM, LEVEL AND UNIFORMLY SUPPORTING SURFACE WITH BOOM WITHIN ANGLE RANGE SHOWN IN CAPACITY CHART AND LUFFING JIB SET AT PROPER BOOM TO LUFFING JIB ANGLE SHOWN IN TABLE. REFER TO MAXIMUM ALLOWABLE TRAVEL SPECIFICATION CHART NO. 7827-A.

OPERATING RADIUS IS HORIZONTAL DISTANCE FROM AXIS OF ROTATION TO CENTER OF VERTICAL HOIST LINE OR LOAD BLOCK. BOOM ANGLE IS ANGLE BETWEEN HORIZONTAL AND CENTERLINE OF BOOM BUTT AND INSERTS, AND IS AN INDICATION OF OPERATING RADIUS. IN ALL CASES, OPERATING RADIUS SHALL GOVERN CAPACITY. BOOM POINT ELEVATION IS VERTICAL DISTANCE FROM GROUND LEVEL TO CENTERLINE OF BOOM POINT SHAFT.

MACHINE EQUIPPED WITH 28'2" EXTENDIBLE CRAWLERS, 48" TREADS, 10'3" RETRACTABLE GANTRY, 30' LIVE MAST, 20 PART BOOM HOIST REEVING, FOUR 1-3/8" BOOM PENDANTS, 8 PART LUFFING JIB HOIST REEVING, TWO 1-1/2" LUFFING JIB PENDANTS AND BACKSTAYS, AND 144,100 LB. COUNTERWEIGHT.

LUFFING JIB POSITION DURING OPERATION	
LUFFING JIB LENGTH - FEET	BOOM TO LUFFING JIB ANGLE
70	140 DEGREES
80 - 90	150 DEGREES
100 - 120	160 DEGREES
130 - 170	168 DEGREES

CONSULT CHART NO. 7830-A FOR LUFFING JIB CAPACITIES

70 FT. LUFFING JIB, ATTACHED AT 140 DEGREE BOOM TO LUFFING JIB ANGLE

BOOM LGTH. FEET	OPER. RAD. FEET	BOOM ANG. DEG.	BOOM POINT ELEV. FEET	BOOM CAPACITY POUNDS
70	16	82.8	77.2	368,400*
	17	82.0	77.1	346,300*
	18	81.1	76.9	326,500*
	19	80.3	76.7	308,600*
	20	79.5	76.5	292,300*
	22	77.8	76.0	263,900*
	24	76.1	75.5	239,800*
	26	74.4	74.9	211,800
	28	72.7	74.2	184,300
	30	70.9	73.5	162,300

BOOM LGTH. FEET	OPER. RAD. FEET	BOOM ANG. DEG.	BOOM POINT ELEV. FEET	BOOM CAPACITY POUNDS
80	17	83.0	87.2	346,000*
	18	82.3	87.0	326,200*
	19	81.5	86.9	308,300*
	20	80.8	86.7	292,000*
	22	79.3	86.3	263,600*
	24	77.9	85.8	239,500*
	26	76.4	85.3	213,100
	28	74.9	84.7	185,400
	30	73.4	84.1	163,300
	32	71.9	83.4	145,300
34	70.4	82.7	130,200	

BOOM LGTH. FEET	OPER. RAD. FEET	BOOM ANG. DEG.	BOOM POINT ELEV. FEET	BOOM CAPACITY POUNDS
90	19	82.5	97.0	308,200*
	20	81.8	96.8	291,900*
	22	80.5	96.5	263,500*
	24	79.2	96.1	239,400*
	26	77.9	95.6	214,200
	28	76.6	95.1	186,500
	30	75.3	94.6	164,300
	32	74.0	94.0	146,100
	34	72.6	93.3	131,000
	36	71.3	92.6	118,200

S/N: 8885093

MANITOWOC ENGINEERING CO.

Division of the Manitowoc Company, Inc. Manitowoc, Wisconsin 54220



LIFT CRANE BOOM CAPACITIES WITH LUFFING JIB ATTACHED

MEETS
ANSI B30.5
REQUIREMENTS

888 SERIES 1

**BOOM NO. 22EL
LUFFING JIB NO. 135
144,100 LB. COUNTERWEIGHT
28'2" CRAWLERS EXTENDED
360 DEGREE RATING**

70 FT. LUFFING JIB, ATTACHED AT 140 DEGREE BOOM TO LUFFING JIB ANGLE

BOOM LGTH. FEET	OPER. RAD. FEET	BOOM ANG. DEG.	BOOM POINT ELEV. FEET	BOOM CAPACITY POUNDS
100	20	82.7	107.0	291,900*
	22	81.5	106.6	263,500*
	24	80.3	106.3	239,500*
	26	79.2	105.9	215,000
	28	78.0	105.4	187,200
110	30	76.8	104.9	164,900
	32	75.6	104.4	146,700
	34	74.4	103.8	131,600
	36	73.2	103.2	118,700
	38	72.0	102.5	107,700
120	40	70.8	101.8	98,200
	22	82.3	116.8	263,200*
	24	81.2	116.4	239,200*
	26	80.2	116.1	215,800
	28	79.1	115.7	187,800
130	30	78.0	115.2	165,500
	32	77.0	114.7	147,200
	34	75.9	114.2	132,000
	36	74.8	113.6	119,100
	38	73.7	113.0	108,100
140	40	72.6	112.4	98,500
	42	71.5	111.7	90,100
	44	70.4	110.9	82,700
	22	82.9	126.9	262,900*
	24	82.0	126.6	238,900*
150	26	81.0	126.2	216,200
	28	80.0	125.9	188,300
	30	79.1	125.5	165,900
	32	78.1	125.0	147,600
	34	77.1	124.5	132,300
160	36	76.1	124.0	119,400

BOOM LGTH. FEET	OPER. RAD. FEET	BOOM ANG. DEG.	BOOM POINT ELEV. FEET	BOOM CAPACITY POUNDS
120	38	75.1	123.5	108,300
	40	74.1	122.9	98,700
	42	73.1	122.2	90,300
	44	72.1	121.6	82,900
	46	71.1	120.9	76,300
130	48	70.1	120.1	70,400
	24	82.6	136.7	238,800*
	26	81.7	136.4	216,800
	28	80.8	136.0	188,700
	30	79.9	135.7	166,300
140	32	79.0	135.3	148,000
	34	78.1	134.8	132,700
	36	77.2	134.3	119,700
	38	76.3	133.8	108,600
	40	75.4	133.3	99,000
150	42	74.5	132.7	90,600
	44	73.5	132.1	83,200
	46	72.6	131.5	76,600
	48	71.7	130.8	70,700
	50	70.7	130.1	65,400
160	26	82.3	146.5	217,100
	28	81.5	146.2	189,000
	30	80.6	145.8	166,500
	32	79.8	145.5	148,100
	34	79.0	145.1	132,800
170	36	78.1	144.6	119,900
	38	77.3	144.1	108,800
	40	76.4	143.6	99,100
	42	75.6	143.1	90,700
	44	74.7	142.5	83,300
180	46	73.9	141.9	76,700
	48	73.0	141.3	70,800
	50	72.2	140.7	65,400

BOOM LGTH. FEET	OPER. RAD. FEET	BOOM ANG. DEG.	BOOM POINT ELEV. FEET	BOOM CAPACITY POUNDS
150	26	82.8	156.6	199,100*
	28	82.0	156.3	189,400
	30	81.3	156.0	166,800
	32	80.5	155.6	148,400
	34	79.7	155.3	133,000
160	36	78.9	154.8	120,000
	38	78.2	154.4	108,800
	40	77.4	153.9	99,200
	42	76.6	153.5	90,700
	44	75.8	152.9	83,200
170	46	75.0	152.4	76,600
	48	74.2	151.8	70,700
	50	73.4	151.2	65,300
	55	71.4	149.5	54,100
	180	28	82.5	166.4
30		81.8	166.1	166,900
32		81.1	165.8	148,400
34		80.4	165.4	133,000
36		79.6	165.1	120,000
190	38	78.9	164.6	108,800
	40	78.2	164.2	99,100
	42	77.4	163.7	90,600
	44	76.7	163.3	83,200
	46	76.0	162.7	76,500
200	48	75.2	162.2	70,600
	50	74.5	161.6	65,200
	55	72.6	160.1	53,900
	60	70.7	158.3	44,900

MANITOWOC ENGINEERING CO.

Division of the Manitowoc Company, Inc. Manitowoc, Wisconsin 54220



LIFTCRANE BOOM CAPACITIES WITH LUFFING JIB ATTACHED

MEETS
ANSI B30.5
REQUIREMENTS

888 SERIES 1

**BOOM NO. 22EL
LUFFING JIB NO. 135
144,100 LB. COUNTERWEIGHT
28'2" CRAWLERS EXTENDED
360 DEGREE RATING**

80 FT. LUFFING JIB, ATTACHED AT 150 DEGREE BOOM TO LUFFING JIB ANGLE

BOOM LGTH. FEET	OPER. RAD. FEET	BOOM ANG. DEG.	BOOM POINT ELEV. FEET	BOOM CAPACITY POUNDS
70	16	82.8	77.2	368,600*
	17	82.0	77.1	346,400*
	18	81.1	76.9	326,400*
	19	80.3	76.7	308,300*
	20	79.5	76.5	291,900*
	22	77.8	76.0	263,300*
	24	76.1	75.5	239,000*
	26	74.4	74.9	210,900
	28	72.7	74.2	183,300
	30	70.9	73.5	161,200
32	69.2	72.7	143,100	
34	67.4	71.8	128,000	
36	65.6	70.9	115,200	
80	17	83.0	87.2	346,100*
	18	82.3	87.0	326,200*
	19	81.5	86.9	308,200*
	20	80.8	86.7	291,800*
	22	79.3	86.3	263,100*
	24	77.9	85.8	238,900*
	26	76.4	85.3	212,500
	28	74.9	84.7	184,700
	30	73.4	84.1	162,500
	32	71.9	83.4	144,300
34	70.4	82.7	129,100	
36	68.8	81.9	116,300	
38	67.3	81.0	105,300	
40	65.7	80.0	95,700	
42	64.1	79.0	87,400	
90	19	82.5	97.0	308,200*
	20	81.8	96.8	291,800*
	22	80.5	96.5	263,200*
	24	79.2	96.1	239,000*
	26	77.9	95.6	213,800
	28	76.6	95.1	185,900
	30	75.3	94.6	163,600
	32	74.0	94.0	145,300
	34	72.6	93.3	130,100
	36	71.3	92.6	117,200
38	69.9	91.8	106,100	
40	68.6	91.0	96,500	
42	67.2	90.1	88,200	
44	65.8	89.2	80,800	
46	64.3	88.2	74,200	
100	20	82.7	107.0	291,900*
	22	81.5	106.6	263,300*
	24	80.3	106.3	239,100*
	26	79.2	105.9	214,800
	28	78.0	105.4	186,800
	30	76.8	104.9	164,400
	32	75.6	104.4	146,100
	34	74.4	103.8	130,800
	36	73.2	103.2	117,900
	38	72.0	102.5	106,800

BOOM LGTH. FEET	OPER. RAD. FEET	BOOM ANG. DEG.	BOOM POINT ELEV. FEET	BOOM CAPACITY POUNDS
100	40	70.8	101.8	97,200
	42	69.6	101.0	88,800
	44	68.3	100.2	81,400
	46	67.1	99.3	74,800
	48	65.8	98.4	68,900
	50	64.6	97.4	63,600
110	22	82.3	116.8	263,000*
	24	81.2	116.4	238,900*
	26	80.2	116.1	215,700
	28	79.1	115.7	187,600
	30	78.0	115.2	165,100
	32	77.0	114.7	146,700
	34	75.9	114.2	131,400
	36	74.8	113.6	118,400
	38	73.7	113.0	107,300
	40	72.6	112.4	97,600
42	71.5	111.7	89,200	
44	70.4	110.9	81,800	
46	69.3	110.2	75,200	
48	68.2	109.3	69,200	
50	67.0	108.5	63,900	
55	64.1	106.1	52,600	
120	22	82.9	126.9	262,900*
	24	82.0	126.6	238,700*
	26	81.0	126.2	216,300
	28	80.0	125.9	188,100
	30	79.1	125.5	165,600
	32	78.1	125.0	147,100
	34	77.1	124.5	131,800
	36	76.1	124.0	118,800
	38	75.1	123.5	107,600
	40	74.1	122.9	98,000
42	73.1	122.2	89,500	
44	72.1	121.6	82,100	
46	71.1	120.9	75,400	
48	70.1	120.1	69,500	
50	69.1	119.3	64,200	
55	66.5	117.2	52,900	
130	24	82.6	136.7	238,700*
	26	81.7	136.4	216,900
	28	80.8	136.0	188,700
	30	79.9	135.7	166,100
	32	79.0	135.3	147,600
	34	78.1	134.8	132,200
	36	77.2	134.3	119,200
	38	76.3	133.8	108,000
	40	75.4	133.3	98,400
	42	74.5	132.7	89,900
44	73.5	132.1	82,400	
46	72.6	131.5	75,800	
48	71.7	130.8	69,800	
50	70.7	130.1	64,500	
55	68.4	128.1	53,200	
60	66.0	125.9	44,100	

BOOM LGTH. FEET	OPER. RAD. FEET	BOOM ANG. DEG.	BOOM POINT ELEV. FEET	BOOM CAPACITY POUNDS
140	26	82.3	146.5	217,200
	28	81.5	146.2	189,000
	30	80.6	145.8	166,400
	32	79.8	145.5	147,900
	34	79.0	145.1	132,500
	36	78.1	144.6	119,400
	38	77.3	144.1	108,200
	40	76.4	143.6	98,500
	42	75.6	143.1	90,100
	44	74.7	142.5	82,600
46	73.9	141.9	75,900	
48	73.0	141.3	70,000	
50	72.2	140.7	64,600	
55	70.0	138.9	53,300	
60	67.8	136.8	44,200	
65	65.5	134.6	36,800	
150	26	82.8	156.6	201,500*
	28	82.0	156.3	189,400
	30	81.3	156.0	166,700
	32	80.5	155.6	148,200
	34	79.7	155.3	132,700
	36	78.9	154.8	119,600
	38	78.2	154.4	108,400
	40	77.4	153.9	98,600
	42	76.6	153.5	90,100
	44	75.8	152.9	82,600
46	75.0	152.4	75,900	
48	74.2	151.8	70,000	
50	73.4	151.2	64,600	
55	71.4	149.5	53,200	
60	69.4	147.6	44,100	
65	67.3	145.6	36,700	
70	65.2	143.3	30,500	
160	28	82.5	166.4	187,300*
	30	81.8	166.1	166,900
	32	81.1	165.8	148,300
	34	80.4	165.4	132,800
	36	79.6	165.1	119,600
	38	78.9	164.6	108,400
	40	78.2	164.2	98,600
	42	77.4	163.7	90,100
	44	76.7	163.3	82,600
	46	76.0	162.7	75,900
48	75.2	162.2	69,900	
50	74.5	161.6	64,500	
55	72.6	160.1	53,100	
60	70.7	158.3	44,000	
65	68.8	156.4	36,600	
70	66.8	154.3	30,400	
75	64.9	152.0	25,100	

S/N: 8885093

MANITOWOC ENGINEERING CO.

Division of the Manitowoc Company, Inc. Manitowoc, Wisconsin 54220



LIFT CRANE BOOM CAPACITIES WITH LUFFING JIB ATTACHED

MEETS
ANSI B30.5
REQUIREMENTS

888 SERIES 1

BOOM NO. 22EL
LUFFING JIB NO. 135
144,100 LB. COUNTERWEIGHT
28'2" CRAWLERS EXTENDED
360 DEGREE RATING

90 FT. LUFFING JIB, ATTACHED AT 150 DEGREE BOOM TO LUFFING JIB ANGLE

BOOM LGTH. FEET	OPER. RAD. FEET	BOOM ANG. DEG.	BOOM POINT ELEV. FEET	BOOM CAPACITY POUNDS
70	16	82.8	77.2	364,200*
	17	82.0	77.1	342,100*
	18	81.1	76.9	322,300*
	19	80.3	76.7	304,300*
	20	79.5	76.5	288,000*
	22	77.8	76.0	259,500*
	24	76.1	75.5	235,400*
	26	74.4	74.9	206,700
	28	72.7	74.2	179,400
	30	70.9	73.5	157,600
32	69.2	72.7	139,700	
34	67.4	71.8	124,800	
36	65.6	70.9	112,200	
80	17	83.0	87.2	342,000*
	18	82.3	87.0	322,200*
	19	81.5	86.9	304,200*
	20	80.8	86.7	288,000*
	22	79.3	86.3	259,500*
	24	77.9	85.8	235,400*
	26	76.4	85.3	208,400
	28	74.9	84.7	180,900
	30	73.4	84.1	159,000
	32	71.9	83.4	141,000
34	70.4	82.7	126,000	
36	68.8	81.9	113,300	
38	67.3	81.0	102,400	
40	65.7	80.0	93,000	
42	64.1	79.0	84,800	
90	19	82.5	97.0	304,300*
	20	81.8	96.8	288,000*
	22	80.5	96.5	259,600*
	24	79.2	96.1	235,500*
	26	77.9	95.6	209,900
	28	76.6	95.1	182,300
	30	75.3	94.6	160,200
	32	74.0	94.0	142,100
	34	72.6	93.3	127,000
	36	71.3	92.6	114,300
38	69.9	91.8	103,400	
40	68.6	91.0	93,900	
42	67.2	90.1	85,600	
44	65.8	89.2	78,300	
46	64.3	88.2	71,800	
100	20	82.7	107.0	288,200*
	22	81.5	106.6	259,800*
	24	80.3	106.3	235,800*
	26	79.2	105.9	210,900
	28	78.0	105.4	183,200
	30	76.8	104.9	161,100
	32	75.6	104.4	143,000
	34	74.4	103.8	127,900
	36	73.2	103.2	115,100
	38	72.0	102.5	104,200

BOOM LGTH. FEET	OPER. RAD. FEET	BOOM ANG. DEG.	BOOM POINT ELEV. FEET	BOOM CAPACITY POUNDS
100	40	70.8	101.8	94,700
	42	69.6	101.0	86,400
	44	68.3	100.2	79,000
	46	67.1	99.3	72,500
	48	65.8	98.4	66,700
	50	64.6	97.4	61,500
110	22	82.3	116.8	259,600*
	24	81.2	116.4	235,600*
	26	80.2	116.1	211,900
	28	79.1	115.7	184,100
	30	78.0	115.2	161,800
	32	77.0	114.7	143,700
	34	75.9	114.2	128,500
	36	74.8	113.6	115,700
	38	73.7	113.0	104,700
	40	72.6	112.4	95,100
42	71.5	111.7	86,800	
44	70.4	110.9	79,400	
46	69.3	110.2	72,900	
48	68.2	109.3	67,000	
50	67.0	108.5	61,800	
55	64.1	106.1	50,700	
120	22	82.9	126.9	259,400*
	24	82.0	126.6	235,500*
	26	81.0	126.2	212,500
	28	80.0	125.9	184,700
	30	79.1	125.5	162,400
	32	78.1	125.0	144,100
	34	77.1	124.5	128,900
	36	76.1	124.0	116,100
	38	75.1	123.5	105,100
	40	74.1	122.9	95,500
42	73.1	122.2	87,200	
44	72.1	121.6	79,800	
46	71.1	120.9	73,200	
48	70.1	120.1	67,400	
50	69.1	119.3	62,100	
55	66.5	117.2	50,900	
130	24	82.6	136.7	235,500*
	26	81.7	136.4	213,200
	28	80.8	136.0	185,300
	30	79.9	135.7	162,900
	32	79.0	135.3	144,700
	34	78.1	134.8	129,400
	36	77.2	134.3	116,600
	38	76.3	133.8	105,500
	40	75.4	133.3	95,900
	42	74.5	132.7	87,600
44	73.5	132.1	80,200	
46	72.6	131.5	73,600	
48	71.7	130.8	67,700	
50	70.7	130.1	62,400	
55	68.4	128.1	51,300	
60	66.0	125.9	42,300	

BOOM LGTH. FEET	OPER. RAD. FEET	BOOM ANG. DEG.	BOOM POINT ELEV. FEET	BOOM CAPACITY POUNDS
140	26	82.3	146.5	213,600
	28	81.5	146.2	185,600
	30	80.6	145.8	163,300
	32	79.8	145.5	145,000
	34	79.0	145.1	129,700
	36	78.1	144.6	116,800
	38	77.3	144.1	105,800
	40	76.4	143.6	96,200
	42	75.6	143.1	87,800
	44	74.7	142.5	80,400
46	73.9	141.9	73,800	
48	73.0	141.3	67,900	
50	72.2	140.7	62,600	
55	70.0	138.9	51,400	
60	67.8	136.8	42,500	
65	65.5	134.6	35,100	
150	26	82.8	156.6	198,300*
	28	82.0	156.3	186,100
	30	81.3	156.0	163,700
	32	80.5	155.6	145,300
	34	79.7	155.3	130,000
	36	78.9	154.8	117,000
	38	78.2	154.4	105,900
	40	77.4	153.9	96,300
	42	76.6	153.5	87,900
	44	75.8	152.9	80,400
46	75.0	152.4	73,800	
48	74.2	151.8	67,900	
50	73.4	151.2	62,600	
55	71.4	149.5	51,400	
60	69.4	147.6	42,400	
65	67.3	145.6	35,000	
70	65.2	143.3	28,900	
160	28	82.5	166.4	184,000*
	30	81.8	166.1	163,800
	32	81.1	165.8	145,400
	34	80.4	165.4	130,100
	36	79.6	165.1	117,100
	38	78.9	164.6	106,000
	40	78.2	164.2	96,300
	42	77.4	163.7	87,900
	44	76.7	163.3	80,400
	46	76.0	162.7	73,800
48	75.2	162.2	67,900	
50	74.5	161.6	62,600	
55	72.6	160.1	51,300	
60	70.7	158.3	42,300	
65	68.8	156.4	34,900	
70	66.8	154.3	28,800	
75	64.9	152.0	23,600	

MANITOWOC ENGINEERING CO.

Division of the Manitowoc Company, Inc. Manitowoc, Wisconsin 54220



LIFT CRANE BOOM CAPACITIES WITH LUFFING JIB ATTACHED

MEETS
ANSI B30.5
REQUIREMENTS

888 SERIES 1

BOOM NO. 22EL
LUFFING JIB NO. 135
144,100 LB. COUNTERWEIGHT
28'2" CRAWLERS EXTENDED
360 DEGREE RATING

100 FT. LUFFING JIB, ATTACHED AT 160 DEGREE BOOM TO LUFFING JIB ANGLE

BOOM LGTH. FEET	OPER. RAD. FEET	BOOM ANG. DEG.	BOOM POINT ELEV. FEET	BOOM CAPACITY POUNDS
70	16	82.8	77.2	367,400*
	17	82.0	77.1	345,000*
	18	81.1	76.9	324,800*
	19	80.3	76.7	306,600*
	20	79.5	76.5	290,000*
	22	77.8	76.0	261,000*
	24	76.1	75.5	236,500*
	26	74.4	74.9	208,200
	28	72.7	74.2	180,400
	30	70.9	73.5	158,200
	32	69.2	72.7	140,000
	34	67.4	71.8	124,800
36	65.6	70.9	111,900	
38	63.7	69.8	100,900	
40	61.9	68.7	91,400	
42	60.0	67.5	83,000	
44	58.0	66.2	75,700	
80	17	83.0	87.2	345,000*
	18	82.3	87.0	324,900*
	19	81.5	86.9	306,700*
	20	80.8	86.7	290,100*
	22	79.3	86.3	261,200*
	24	77.9	85.8	236,700*
	26	76.4	85.3	210,200
	28	74.9	84.7	182,200
	30	73.4	84.1	159,900
	32	71.9	83.4	141,600
	34	70.4	82.7	126,300
	36	68.8	81.9	113,400
38	67.3	81.0	102,400	
40	65.7	80.0	92,800	
42	64.1	79.0	84,400	
44	62.4	78.0	77,000	
46	60.8	76.8	70,400	
48	59.1	75.6	64,500	
50	57.4	74.3	59,200	
90	19	82.5	97.0	306,900*
	20	81.8	96.8	290,300*
	22	80.5	96.5	261,500*
	24	79.2	96.1	237,000*
	26	77.9	95.6	211,900
	28	76.6	95.1	183,800
	30	75.3	94.6	161,300
	32	74.0	94.0	142,900
	34	72.6	93.3	127,600
	36	71.3	92.6	114,600
	38	69.9	91.8	103,500
	40	68.6	91.0	93,900
42	67.2	90.1	85,500	
44	65.8	89.2	78,000	
46	64.3	88.2	71,400	
48	62.9	87.2	65,500	
50	61.4	86.0	60,100	
55	57.7	82.9	48,900	
100	20	82.7	107.0	290,700*
	22	81.5	106.6	261,800*
	24	80.3	106.3	237,400*
	26	79.2	105.9	213,100
	28	78.0	105.4	184,900
	30	76.8	104.9	162,400
	32	75.6	104.4	144,000
	34	74.4	103.8	128,600
	36	73.2	103.2	115,700
	38	72.0	102.5	104,500

BOOM LGTH. FEET	OPER. RAD. FEET	BOOM ANG. DEG.	BOOM POINT ELEV. FEET	BOOM CAPACITY POUNDS
100	40	70.8	101.8	94,900
	42	69.6	101.0	86,400
	44	68.3	100.2	78,900
	46	67.1	99.3	72,300
	48	65.8	98.4	66,400
	50	64.6	97.4	61,000
55	61.3	94.7	49,800	
60	57.9	91.6	40,700	
110	22	82.3	116.8	261,700*
	24	81.2	116.4	237,300*
	26	80.2	116.1	214,200
	28	79.1	115.7	186,000
	30	78.0	115.2	163,300
	32	77.0	114.7	144,800
	34	75.9	114.2	129,400
	36	74.8	113.6	116,400
	38	73.7	113.0	105,200
	40	72.6	112.4	95,500
	42	71.5	111.7	87,000
	44	70.4	110.9	79,500
46	69.3	110.2	72,800	
48	68.2	109.3	66,900	
50	67.0	108.5	61,500	
55	64.1	106.1	50,200	
60	61.2	103.4	41,100	
65	58.1	100.3	33,700	
120	22	82.9	126.9	261,600*
	24	82.0	126.6	237,300*
	26	81.0	126.2	215,000
	28	80.0	125.9	186,700
	30	79.1	125.5	164,000
	32	78.1	125.0	145,400
	34	77.1	124.5	130,000
	36	76.1	124.0	116,900
	38	75.1	123.5	105,700
	40	74.1	122.9	96,000
	42	73.1	122.2	87,500
	44	72.1	121.6	80,000
46	71.1	120.9	73,300	
48	70.1	120.1	67,300	
50	69.1	119.3	61,900	
55	66.5	117.2	50,600	
60	63.8	114.7	41,500	
65	61.1	112.0	34,100	
70	58.3	109.0	27,900	
130	24	82.6	136.7	237,400*
	26	81.7	136.4	215,700
	28	80.8	136.0	187,400
	30	79.9	135.7	164,700
	32	79.0	135.3	146,100
	34	78.1	134.8	130,600
	36	77.2	134.3	117,500
	38	76.3	133.8	106,200
	40	75.4	133.3	96,500
	42	74.5	132.7	88,000
	44	73.5	132.1	80,500
	46	72.6	131.5	73,800
48	71.7	130.8	67,800	
50	70.7	130.1	62,400	
55	68.4	128.1	51,100	
60	66.0	125.9	42,000	
65	63.5	123.4	34,500	
70	61.0	120.7	28,300	
75	58.4	117.6	23,000	

BOOM LGTH. FEET	OPER. RAD. FEET	BOOM ANG. DEG.	BOOM POINT ELEV. FEET	BOOM CAPACITY POUNDS
140	26	82.3	146.5	216,300
	28	81.5	146.2	187,800
	30	80.6	145.8	165,100
	32	79.8	145.5	146,500
	34	79.0	145.1	131,000
	36	78.1	144.6	117,800
	38	77.3	144.1	106,600
	40	76.4	143.6	96,800
	42	75.6	143.1	88,300
	44	74.7	142.5	80,800
	46	73.9	141.9	74,100
	48	73.0	141.3	68,100
50	72.2	140.7	62,700	
55	70.0	138.9	51,300	
60	67.8	136.8	42,200	
65	65.5	134.6	34,700	
70	63.3	132.1	28,500	
75	60.9	129.3	23,200	
80	58.5	126.3	18,700	
150	26	82.8	156.6	203,500*
	28	82.0	156.3	188,400
	30	81.3	156.0	165,600
	32	80.5	155.6	146,900
	34	79.7	155.3	131,300
	36	78.9	154.8	118,100
	38	78.2	154.4	106,800
	40	77.4	153.9	97,000
	42	76.6	153.5	88,500
	44	75.8	152.9	80,900
	46	75.0	152.4	74,200
	48	74.2	151.8	68,200
50	73.4	151.2	62,800	
55	71.4	149.5	51,300	
60	69.4	147.6	42,200	
65	67.3	145.6	34,700	
70	65.2	143.3	28,400	
75	63.0	140.8	23,200	
80	60.9	138.0	18,600	
85	58.6	135.0	14,700	
160	28	82.5	166.4	188,700
	30	81.8	166.1	165,800
	32	81.1	165.8	147,100
	34	80.4	165.4	131,500
	36	79.6	165.1	118,200
	38	78.9	164.6	106,900
	40	78.2	164.2	97,100
	42	77.4	163.7	88,500
	44	76.7	163.3	81,000
	46	76.0	162.7	74,200
	48	75.2	162.2	68,200
	50	74.5	161.6	62,800
55	72.6	160.1	51,300	
60	70.7	158.3	42,200	
65	68.8	156.4	34,700	
70	66.8	154.3	28,400	
75	64.9	152.0	23,100	
80	62.9	149.4	18,600	
85	60.8	146.7	14,600	
90	58.7	143.6	11,200	

S/N: 8885093

MANITOWOC ENGINEERING CO.

Division of the Manitowoc Company, Inc. Manitowoc, Wisconsin 54220



LIFT CRANE BOOM CAPACITIES WITH LUFFING JIB ATTACHED

MEETS
ANSI B30.5
REQUIREMENTS

888 SERIES 1

**BOOM NO. 22EL
LUFFING JIB NO. 135
144,100 LB. COUNTERWEIGHT
28'2" CRAWLERS EXTENDED
360 DEGREE RATING**

110 FT. LUFFING JIB, ATTACHED AT 160 DEGREE BOOM TO LUFFING JIB ANGLE

BOOM LGTH. FEET	OPER. RAD. FEET	BOOM ANG. DEG.	BOOM POINT ELEV. FEET	BOOM CAPACITY POUNDS
70	16	82.8	77.2	364,500*
	17	82.0	77.1	342,100*
	18	81.1	76.9	322,000*
	19	80.3	76.7	303,800*
	20	79.5	76.5	287,300*
	22	77.8	76.0	258,500*
	24	76.1	75.5	234,100*
	26	74.4	74.9	205,100
	28	72.7	74.2	177,600
	30	70.9	73.5	155,500
	32	69.2	72.7	137,500
	34	67.4	71.8	122,400
	36	65.6	70.9	109,700
	38	63.7	69.8	98,800
40	61.9	68.7	89,300	
42	60.0	67.5	81,100	
44	58.0	66.2	73,700	
80	17	83.0	87.2	342,200*
	18	82.3	87.0	322,200*
	19	81.5	86.9	304,000*
	20	80.8	86.7	287,600*
	22	79.3	86.3	258,800*
	24	77.9	85.8	234,400*
	26	76.4	85.3	207,300
	28	74.9	84.7	179,600
	30	73.4	84.1	157,400
	32	71.9	83.4	139,200
	34	70.4	82.7	124,100
	36	68.8	81.9	111,300
	38	67.3	81.0	100,300
	40	65.7	80.0	90,800
42	64.1	79.0	82,500	
44	62.4	78.0	75,100	
46	60.8	76.8	68,600	
48	59.1	75.6	62,800	
50	57.4	74.3	57,500	
90	19	82.5	97.0	304,300*
	20	81.8	96.8	287,900*
	22	80.5	96.5	259,100*
	24	79.2	96.1	234,800*
	26	77.9	95.6	209,100
	28	76.6	95.1	181,200
	30	75.3	94.6	158,900
	32	74.0	94.0	140,700
	34	72.6	93.3	125,500
	36	71.3	92.6	112,600
	38	69.9	91.8	101,600
	40	68.6	91.0	92,000
	42	67.2	90.1	83,700
	44	65.8	89.2	76,300
46	64.3	88.2	69,700	
48	62.9	87.2	63,900	
50	61.4	86.0	58,600	
55	57.7	82.9	47,400	
100	20	82.7	107.0	288,200*
	22	81.5	106.6	259,500*
	24	80.3	106.3	235,200*
	26	79.2	105.9	210,400
	28	78.0	105.4	182,500
	30	76.8	104.9	160,100
	32	75.6	104.4	141,800
	34	74.4	103.8	126,600
	36	73.2	103.2	113,700
	38	72.0	102.5	102,700

BOOM LGTH. FEET	OPER. RAD. FEET	BOOM ANG. DEG.	BOOM POINT ELEV. FEET	BOOM CAPACITY POUNDS
100	40	70.8	101.8	93,100
	42	69.6	101.0	84,700
	44	68.3	100.2	77,300
	46	67.1	99.3	70,700
	48	65.8	98.4	64,800
	50	64.6	97.4	59,500
55	61.3	94.7	48,300	
60	57.9	91.6	39,400	
110	22	82.3	116.8	259,400*
	24	81.2	116.4	235,200*
	26	80.2	116.1	211,600
	28	79.1	115.7	183,500
	30	78.0	115.2	161,100
	32	77.0	114.7	142,700
	34	75.9	114.2	127,400
	36	74.8	113.6	114,500
	38	73.7	113.0	103,400
	40	72.6	112.4	93,800
42	71.5	111.7	85,300	
44	70.4	110.9	77,900	
46	69.3	110.2	71,300	
48	68.2	109.3	65,400	
50	67.0	108.5	60,100	
55	64.1	106.1	48,800	
60	61.2	103.4	39,800	
65	58.1	100.3	32,500	
120	22	82.9	126.9	259,400*
	24	82.0	126.6	235,200*
	26	81.0	126.2	212,400
	28	80.0	125.9	184,300
	30	79.1	125.5	161,800
	32	78.1	125.0	143,400
	34	77.1	124.5	128,100
	36	76.1	124.0	115,100
	38	75.1	123.5	104,000
	40	74.1	122.9	94,300
	42	73.1	122.2	85,900
	44	72.1	121.6	78,400
	46	71.1	120.9	71,800
	48	70.1	120.1	65,900
50	69.1	119.3	60,600	
55	66.5	117.2	49,300	
60	63.8	114.7	40,300	
65	61.1	112.0	32,900	
70	58.3	109.0	26,800	
130	24	82.6	136.7	235,300*
	26	81.7	136.4	213,200
	28	80.8	136.0	185,000
	30	79.9	135.7	162,500
	32	79.0	135.3	144,100
	34	78.1	134.8	128,700
	36	77.2	134.3	115,700
	38	76.3	133.8	104,600
	40	75.4	133.3	94,900
	42	74.5	132.7	86,400
	44	73.5	132.1	79,000
	46	72.6	131.5	72,300
	48	71.7	130.8	66,400
	50	70.7	130.1	61,100
55	68.4	128.1	49,800	
60	66.0	125.9	40,800	
65	63.5	123.4	33,400	
70	61.0	120.7	27,200	
75	58.4	117.6	22,000	

BOOM LGTH. FEET	OPER. RAD. FEET	BOOM ANG. DEG.	BOOM POINT ELEV. FEET	BOOM CAPACITY POUNDS
140	26	82.3	146.5	213,800
	28	81.5	146.2	185,600
	30	80.6	145.8	163,000
	32	79.8	145.5	144,500
	34	79.0	145.1	129,100
	36	78.1	144.6	116,100
	38	77.3	144.1	104,900
	40	76.4	143.6	95,200
	42	75.6	143.1	86,800
	44	74.7	142.5	79,300
46	73.9	141.9	72,700	
48	73.0	141.3	66,700	
50	72.2	140.7	61,400	
55	70.0	138.9	50,100	
60	67.8	136.8	41,000	
65	65.5	134.6	33,600	
70	63.3	132.1	27,500	
75	60.9	129.3	22,200	
80	58.5	126.3	17,800	
150	26	82.8	156.6	201,900*
	28	82.0	156.3	186,200
	30	81.3	156.0	163,500
	32	80.5	155.6	145,000
	34	79.7	155.3	129,500
	36	78.9	154.8	116,400
	38	78.2	154.4	105,200
	40	77.4	153.9	95,500
	42	76.6	153.5	87,000
	44	75.8	152.9	79,500
	46	75.0	152.4	72,800
	48	74.2	151.8	66,800
	50	73.4	151.2	61,500
	55	71.4	149.5	50,100
60	69.4	147.6	41,100	
65	67.3	145.6	33,600	
70	65.2	143.3	27,400	
75	63.0	140.8	22,200	
80	60.9	138.0	17,700	
85	58.6	135.0	13,800	
160	28	82.5	166.4	186,500
	30	81.8	166.1	163,800
	32	81.1	165.8	145,200
	34	80.4	165.4	129,700
	36	79.6	165.1	116,600
	38	78.9	164.6	105,300
	40	78.2	164.2	95,600
	42	77.4	163.7	87,100
	44	76.7	163.3	79,600
	46	76.0	162.7	72,900
	48	75.2	162.2	66,900
	50	74.5	161.6	61,500
	55	72.6	160.1	50,200
	60	70.7	158.3	41,100
65	68.8	156.4	33,600	
70	66.8	154.3	27,400	
75	64.9	152.0	22,200	
80	62.9	149.4	17,700	
85	60.8	146.7	13,800	
90	58.7	143.6	10,300	



**LIFT CRANE BOOM CAPACITIES
 WITH LUFFING JIB ATTACHED**

MEETS
 ANSI B30.5
 REQUIREMENTS

888 SERIES 1

**BOOM NO. 22EL
 LUFFING JIB NO. 135
 144,100 LB. COUNTERWEIGHT
 28'2" CRAWLERS EXTENDED
 360 DEGREE RATING**

120 FT. LUFFING JIB, ATTACHED AT 160 DEGREE BOOM TO LUFFING JIB ANGLE

BOOM LGTH. FEET	OPER. RAD. FEET	BOOM ANG. DEG.	BOOM POINT ELEV. FEET	BOOM CAPACITY POUNDS
70	16	82.8	77.2	360,000*
	17	82.0	77.1	337,800*
	18	81.1	76.9	317,800*
	19	80.3	76.7	299,700*
	20	79.5	76.5	283,200*
	22	77.8	76.0	254,500*
	24	76.1	75.5	230,100*
	26	74.4	74.9	200,700
	28	72.7	74.2	173,400
	30	70.9	73.5	151,500
	32	69.2	72.7	133,700
	34	67.4	71.8	118,800
36	65.6	70.9	106,200	
38	63.7	69.8	95,400	
40	61.9	68.7	86,000	
42	60.0	67.5	77,800	
44	58.0	66.2	70,600	
80	17	83.0	87.2	338,000*
	18	82.3	87.0	318,100*
	19	81.5	86.9	300,000*
	20	80.8	86.7	283,600*
	22	79.3	86.3	254,900*
	24	77.9	85.8	230,600*
	26	76.4	85.3	203,000
	28	74.9	84.7	175,500
	30	73.4	84.1	153,600
	32	71.9	83.4	135,600
	34	70.4	82.7	120,600
	36	68.8	81.9	107,900
38	67.3	81.0	97,100	
40	65.7	80.0	87,700	
42	64.1	79.0	79,400	
44	62.4	78.0	72,100	
46	60.8	76.8	65,700	
48	59.1	75.6	59,900	
50	57.4	74.3	54,700	
90	19	82.5	97.0	300,400*
	20	81.8	96.8	284,000*
	22	80.5	96.5	255,400*
	24	79.2	96.1	231,100*
	26	77.9	95.6	204,900
	28	76.6	95.1	177,300
	30	75.3	94.6	155,300
	32	74.0	94.0	137,200
	34	72.6	93.3	122,100
	36	71.3	92.6	109,400
	38	69.9	91.8	98,500
	40	68.6	91.0	89,000
42	67.2	90.1	80,700	
44	65.8	89.2	73,400	
46	64.3	88.2	66,900	
48	62.9	87.2	61,100	
50	61.4	86.0	55,900	
55	57.7	82.9	44,800	
100	20	82.7	107.0	284,500*
	22	81.5	106.6	255,900*
	24	80.3	106.3	231,700*
	26	79.2	105.9	206,400
	28	78.0	105.4	178,700
	30	76.8	104.9	156,600
	32	75.6	104.4	138,500
	34	74.4	103.8	123,400
	36	73.2	103.2	110,600
	38	72.0	102.5	99,700

BOOM LGTH. FEET	OPER. RAD. FEET	BOOM ANG. DEG.	BOOM POINT ELEV. FEET	BOOM CAPACITY POUNDS
100	40	70.8	101.8	90,200
	42	69.6	101.0	81,900
	44	68.3	100.2	74,500
	46	67.1	99.3	68,000
	48	65.8	98.4	62,200
	50	64.6	97.4	57,000
55	61.3	94.7	45,900	
60	57.9	91.6	37,000	
110	22	82.3	116.8	255,800*
	24	81.2	116.4	231,700*
	26	80.2	116.1	207,700
	28	79.1	115.7	179,900
	30	78.0	115.2	157,700
	32	77.0	114.7	139,500
	34	75.9	114.2	124,300
	36	74.8	113.6	111,500
	38	73.7	113.0	100,500
	40	72.6	112.4	91,000
	42	71.5	111.7	82,600
	44	70.4	110.9	75,300
46	69.3	110.2	68,700	
48	68.2	109.3	62,900	
50	67.0	108.5	57,600	
55	64.1	106.1	46,500	
60	61.2	103.4	37,600	
65	58.1	100.3	30,300	
120	22	82.9	126.9	255,900*
	24	82.0	126.6	231,800*
	26	81.0	126.2	208,600
	28	80.0	125.9	180,700
	30	79.1	125.5	158,400
	32	78.1	125.0	140,200
	34	77.1	124.5	125,000
	36	76.1	124.0	112,200
	38	75.1	123.5	101,100
	40	74.1	122.9	91,600
	42	73.1	122.2	83,200
	44	72.1	121.6	75,800
46	71.1	120.9	69,300	
48	70.1	120.1	63,400	
50	69.1	119.3	58,100	
55	66.5	117.2	47,000	
60	63.8	114.7	38,100	
65	61.1	112.0	30,800	
70	58.3	109.0	24,700	
130	24	82.6	136.7	232,000*
	26	81.7	136.4	209,500
	28	80.8	136.0	181,600
	30	79.9	135.7	159,200
	32	79.0	135.3	141,000
	34	78.1	134.8	125,700
	36	77.2	134.3	112,800
	38	76.3	133.8	101,800
	40	75.4	133.3	92,200
	42	74.5	132.7	83,900
	44	73.5	132.1	76,500
	46	72.6	131.5	69,900
48	71.7	130.8	64,000	
50	70.7	130.1	58,700	
55	68.4	128.1	47,500	
60	66.0	125.9	38,600	
65	63.5	123.4	31,300	
70	61.0	120.7	25,200	
75	58.4	117.6	20,000	

BOOM LGTH. FEET	OPER. RAD. FEET	BOOM ANG. DEG.	BOOM POINT ELEV. FEET	BOOM CAPACITY POUNDS
140	26	82.3	146.5	210,100
	28	81.5	146.2	182,100
	30	80.6	145.8	159,800
	32	79.8	145.5	141,500
	34	79.0	145.1	126,200
	36	78.1	144.6	113,300
	38	77.3	144.1	102,200
	40	76.4	143.6	92,600
	42	75.6	143.1	84,200
	44	74.7	142.5	76,800
	46	73.9	141.9	70,300
	48	73.0	141.3	64,400
50	72.2	140.7	59,100	
55	70.0	138.9	47,900	
60	67.8	136.8	38,900	
65	65.5	134.6	31,600	
70	63.3	132.1	25,500	
75	60.9	129.3	20,300	
80	58.5	126.3	15,900	
150	26	82.8	156.6	198,500*
	28	82.0	156.3	182,800
	30	81.3	156.0	160,300
	32	80.5	155.6	142,000
	34	79.7	155.3	126,600
	36	78.9	154.8	113,700
	38	78.2	154.4	102,600
	40	77.4	153.9	92,900
	42	76.6	153.5	84,500
	44	75.8	152.9	77,100
	46	75.0	152.4	70,500
	48	74.2	151.8	64,500
50	73.4	151.2	59,200	
55	71.4	149.5	48,000	
60	69.4	147.6	39,000	
65	67.3	145.6	31,600	
70	65.2	143.3	25,500	
75	63.0	140.8	20,300	
80	60.9	138.0	15,900	
85	58.6	135.0	12,000	
160	28	82.5	166.4	183,100
	30	81.8	166.1	160,600
	32	81.1	165.8	142,200
	34	80.4	165.4	126,900
	36	79.6	165.1	113,900
	38	78.9	164.6	102,700
	40	78.2	164.2	93,100
	42	77.4	163.7	84,700
	44	76.7	163.3	77,200
	46	76.0	162.7	70,600
	48	75.2	162.2	64,700
	50	74.5	161.6	59,300
55	72.6	160.1	48,100	
60	70.7	158.3	39,000	
65	68.8	156.4	31,700	
70	66.8	154.3	25,500	
75	64.9	152.0	20,300	
80	62.9	149.4	15,900	
85	60.8	146.7	12,000	

S/N: 8885093



**LIFT CRANE BOOM CAPACITIES
 WITH LUFFING JIB ATTACHED**

MEETS
 ANSI B30.5
 REQUIREMENTS

888 SERIES 1

**BOOM NO. 22EL
 LUFFING JIB NO. 135
 144,100 LB. COUNTERWEIGHT
 28'2" CRAWLERS EXTENDED
 360 DEGREE RATING**

130 FT. LUFFING JIB, ATTACHED AT 168 DEGREE BOOM TO LUFFING JIB ANGLE

BOOM LGTH. FEET	OPER. RAD. FEET	BOOM ANG. DEG.	BOOM POINT ELEV. FEET	BOOM CAPACITY POUNDS
70	16	82.8	77.2	365,900*
	17	82.0	77.1	343,200*
	18	81.1	76.9	322,700*
	19	80.3	76.7	304,200*
	20	79.5	76.5	287,400*
	22	77.8	76.0	258,000*
	24	76.1	75.5	233,200*
	26	74.4	74.9	204,300
	28	72.7	74.2	176,300
	30	70.9	73.5	153,900
32	69.2	72.7	135,600	
34	67.4	71.8	120,300	
36	65.6	70.9	107,300	
38	63.7	69.8	96,200	
40	61.9	68.7	86,600	
42	60.0	67.5	78,200	
44	58.0	66.2	70,800	
46	56.0	64.9	64,200	
48	54.0	63.4	58,200	
50	51.9	61.7	52,900	
80	17	83.0	87.2	343,600*
	18	82.3	87.0	323,200*
	19	81.5	86.9	304,800*
	20	80.8	86.7	288,000*
	22	79.3	86.3	258,700*
	24	77.9	85.8	233,900*
	26	76.4	85.3	207,000
	28	74.9	84.7	178,800
	30	73.4	84.1	156,300
	32	71.9	83.4	137,800
34	70.4	82.7	122,500	
36	68.8	81.9	109,500	
38	67.3	81.0	98,300	
40	65.7	80.0	88,600	
42	64.1	79.0	80,200	
44	62.4	78.0	72,700	
46	60.8	76.8	66,000	
48	59.1	75.6	60,100	
50	57.4	74.3	54,700	
55	52.9	70.6	43,400	
90	19	82.5	97.0	305,300*
	20	81.8	96.8	288,600*
	22	80.5	96.5	259,300*
	24	79.2	96.1	234,600*
	26	77.9	95.6	209,100
	28	76.6	95.1	180,900
	30	75.3	94.6	158,200
	32	74.0	94.0	139,700
	34	72.6	93.3	124,200
	36	71.3	92.6	111,200
38	69.9	91.8	100,000	
40	68.6	91.0	90,300	
42	67.2	90.1	81,800	
44	65.8	89.2	74,200	
46	64.3	88.2	67,600	
48	62.9	87.2	61,600	
50	61.4	86.0	56,200	
55	57.7	82.9	44,900	
60	53.8	79.3	35,700	
100	20	82.7	107.0	289,100*
	22	81.5	106.6	259,900*
	24	80.3	106.3	235,300*
	26	79.2	105.9	210,800
	28	78.0	105.4	182,400
	30	76.8	104.9	159,700
	32	75.6	104.4	141,200
	34	74.4	103.8	125,700

BOOM LGTH. FEET	OPER. RAD. FEET	BOOM ANG. DEG.	BOOM POINT ELEV. FEET	BOOM CAPACITY POUNDS
100	36	73.2	103.2	112,600
	38	72.0	102.5	101,300
	40	70.8	101.8	91,600
	42	69.6	101.0	83,100
	44	68.3	100.2	75,600
	46	67.1	99.3	68,900
	48	65.8	98.4	62,900
	50	64.6	97.4	57,500
	55	61.3	94.7	46,100
	65	57.9	91.6	37,000
110	22	82.3	116.8	260,000*
	24	81.2	116.4	235,400*
	26	80.2	116.1	212,200
	28	79.1	115.7	183,700
	30	78.0	115.2	161,000
	32	77.0	114.7	142,300
	34	75.9	114.2	126,800
	36	74.8	113.6	113,600
	38	73.7	113.0	102,300
	40	72.6	112.4	92,600
42	71.5	111.7	84,000	
44	70.4	110.9	76,400	
46	69.3	110.2	69,700	
48	68.2	109.3	63,700	
50	67.0	108.5	58,300	
55	64.1	106.1	46,900	
60	61.2	103.4	37,700	
65	58.1	100.3	30,200	
70	55.0	96.8	24,000	
75	51.7	93.0	18,700	
120	22	82.9	126.9	260,200*
	24	82.0	126.6	235,600*
	26	81.0	126.2	213,300
	28	80.0	125.9	184,700
	30	79.1	125.5	161,900
	32	78.1	125.0	143,200
	34	77.1	124.5	127,600
	36	76.1	124.0	114,400
	38	75.1	123.5	103,100
	40	74.1	122.9	93,300
42	73.1	122.2	84,700	
44	72.1	121.6	77,200	
46	71.1	120.9	70,400	
48	70.1	120.1	64,400	
50	69.1	119.3	59,000	
55	66.5	117.2	47,600	
60	63.8	114.7	38,400	
65	61.1	112.0	30,900	
70	58.3	109.0	24,600	
75	55.4	105.6	19,300	
80	52.4	101.8	14,800	
130	24	82.6	136.7	235,800*
	26	81.7	136.4	214,300
	28	80.8	136.0	185,700
	30	79.9	135.7	162,800
	32	79.0	135.3	144,000
	34	78.1	134.8	128,400
	36	77.2	134.3	115,200
	38	76.3	133.8	103,900
	40	75.4	133.3	94,100
	42	74.5	132.7	85,500
44	73.5	132.1	77,900	
46	72.6	131.5	71,200	
48	71.7	130.8	65,100	
50	70.7	130.1	59,700	
55	68.4	128.1	48,200	

BOOM LGTH. FEET	OPER. RAD. FEET	BOOM ANG. DEG.	BOOM POINT ELEV. FEET	BOOM CAPACITY POUNDS
130	60	66.0	125.9	39,100
	65	63.5	123.4	31,500
	70	61.0	120.7	25,300
	75	58.4	117.6	20,000
	80	55.8	114.3	15,400
85	53.0	110.6	11,400	
140	26	82.3	146.5	214,800*
	28	81.5	146.2	186,300
	30	80.6	145.8	163,400
	32	79.8	145.5	144,600
	34	79.0	145.1	129,000
	36	78.1	144.6	115,800
	38	77.3	144.1	104,400
	40	76.4	143.6	94,600
	42	75.6	143.1	86,000
	44	74.7	142.5	78,400
46	73.9	141.9	71,600	
48	73.0	141.3	65,600	
50	72.2	140.7	60,100	
55	70.0	138.9	48,700	
60	67.8	136.8	39,500	
65	65.5	134.6	31,900	
70	63.3	132.1	25,700	
75	60.9	129.3	20,300	
80	58.5	126.3	15,800	
85	56.1	123.0	11,800	
150	26	82.8	156.6	205,600*
	28	82.0	156.3	187,100
	30	81.3	156.0	164,000
	32	80.5	155.6	145,200
	34	79.7	155.3	129,500
	36	78.9	154.8	116,200
	38	78.2	154.4	104,800
	40	77.4	153.9	94,900
	42	76.6	153.5	86,300
	44	75.8	152.9	78,700
46	75.0	152.4	71,900	
48	74.2	151.8	65,800	
50	73.4	151.2	60,400	
55	71.4	149.5	48,800	
60	69.4	147.6	39,600	
65	67.3	145.6	32,100	
70	65.2	143.3	25,800	
75	63.0	140.8	20,400	
80	60.9	138.0	15,900	
85	58.6	135.0	11,900	
160	28	82.5	166.4	187,500
	30	81.8	166.1	164,400
	32	81.1	165.8	145,500
	34	80.4	165.4	129,800
	36	79.6	165.1	116,500
	38	78.9	164.6	105,100
	40	78.2	164.2	95,200
	42	77.4	163.7	86,500
	44	76.7	163.3	78,900
	46	76.0	162.7	72,100
48	75.2	162.2	66,000	
50	74.5	161.6	60,500	
55	72.6	160.1	49,000	
60	70.7	158.3	39,700	
65	68.8	156.4	32,200	
70	66.8	154.3	25,900	
75	64.9	152.0	20,500	
80	62.9	149.4	15,900	
85	60.8	146.7	12,000	

MANITOWOC ENGINEERING CO.

Division of the Manitowoc Company, Inc. Manitowoc, Wisconsin 54220



LIFT CRANE BOOM CAPACITIES WITH LUFFING JIB ATTACHED

MEETS
ANSI B30.5
REQUIREMENTS

888 SERIES 1

BOOM NO. 22EL
LUFFING JIB NO. 135
144,100 LB. COUNTERWEIGHT
28'2" CRAWLERS EXTENDED
360 DEGREE RATING

140 FT. LUFFING JIB, ATTACHED AT 168 DEGREE BOOM TO LUFFING JIB ANGLE

BOOM LGTH. FEET	OPER. RAD. FEET	BOOM ANG. DEG.	BOOM POINT ELEV. FEET	BOOM CAPACITY POUNDS
70	16	82.8	77.2	362,300*
	17	82.0	77.1	339,600*
	18	81.1	76.9	319,100*
	19	80.3	76.7	300,700*
	20	79.5	76.5	283,900*
	22	77.8	76.0	254,500*
	24	76.1	75.5	229,700*
	26	74.4	74.9	200,300
	28	72.7	74.2	172,500
	30	70.9	73.5	150,200
32	69.2	72.7	132,000	
34	67.4	71.8	116,800	
36	65.6	70.9	104,000	
38	63.7	69.8	93,000	
40	61.9	68.7	83,400	
42	60.0	67.5	75,100	
44	58.0	66.2	67,700	
46	56.0	64.9	61,100	
48	54.0	63.4	55,200	
50	51.9	61.7	49,900	
80	17	83.0	87.2	340,100*
	18	82.3	87.0	319,800*
	19	81.5	86.9	301,300*
	20	80.8	86.7	284,600*
	22	79.3	86.3	255,300*
	24	77.9	85.8	230,600*
	26	76.4	85.3	203,200
	28	74.9	84.7	175,200
	30	73.4	84.1	152,800
	32	71.9	83.4	134,500
34	70.4	82.7	119,300	
36	68.8	81.9	106,300	
38	67.3	81.0	95,300	
40	65.7	80.0	85,700	
42	64.1	79.0	77,200	
44	62.4	78.0	69,800	
46	60.8	76.8	63,200	
48	59.1	75.6	57,300	
50	57.4	74.3	52,000	
55	52.9	70.6	40,700	
90	19	82.5	97.0	302,000*
	20	81.8	96.8	285,300*
	22	80.5	96.5	256,100*
	24	79.2	96.1	231,400*
	26	77.9	95.6	205,600
	28	76.6	95.1	177,500
	30	75.3	94.6	155,000
	32	74.0	94.0	136,600
	34	72.6	93.3	121,200
	36	71.3	92.6	108,200
38	69.9	91.8	97,100	
40	68.6	91.0	87,400	
42	67.2	90.1	79,000	
44	65.8	89.2	71,500	
46	64.3	88.2	64,900	
48	62.9	87.2	59,000	
50	61.4	86.0	53,600	
55	57.7	82.9	42,300	
60	53.8	79.3	33,300	
100	20	82.7	107.0	286,000*
	22	81.5	106.6	256,800*
	24	80.3	106.3	232,200*
	26	79.2	105.9	207,400
	28	78.0	105.4	179,200
	30	76.8	104.9	156,600
	32	75.6	104.4	138,200
	34	74.4	103.8	122,800

BOOM LGTH. FEET	OPER. RAD. FEET	BOOM ANG. DEG.	BOOM POINT ELEV. FEET	BOOM CAPACITY POUNDS
100	36	73.2	103.2	109,800
	38	72.0	102.5	98,600
	40	70.8	101.8	88,900
	42	69.6	101.0	80,500
	44	68.3	100.2	73,000
	46	67.1	99.3	66,400
	48	65.8	98.4	60,400
	50	64.6	97.4	55,100
	55	61.3	94.7	43,800
	65	57.9	91.6	34,700
110	22	82.3	116.8	257,000*
	24	81.2	116.4	232,400*
	26	80.2	116.1	208,900
	28	79.1	115.7	180,600
	30	78.0	115.2	158,000
	32	77.0	114.7	139,400
	34	75.9	114.2	124,000
	36	74.8	113.6	110,900
	38	73.7	113.0	99,700
	40	72.6	112.4	90,000
120	42	71.5	111.7	81,500
	44	70.4	110.9	74,000
	46	69.3	110.2	67,300
	48	68.2	109.3	61,300
	50	67.0	108.5	56,000
	55	64.1	106.1	44,600
	60	61.2	103.4	35,500
	65	58.1	100.3	28,100
	70	55.0	96.8	21,900
	75	51.7	93.0	16,600
130	22	82.9	126.9	257,300*
	24	82.0	126.6	232,700*
	26	81.0	126.2	210,100
	28	80.0	125.9	181,700
	30	79.1	125.5	159,000
	32	78.1	125.0	140,400
	34	77.1	124.5	124,900
	36	76.1	124.0	111,800
	38	75.1	123.5	100,600
	40	74.1	122.9	90,800
140	42	73.1	122.2	82,300
	44	72.1	121.6	74,800
	46	71.1	120.9	68,100
	48	70.1	120.1	62,100
	50	69.1	119.3	56,700
	55	66.5	117.2	45,400
	60	63.8	114.7	36,300
	65	61.1	112.0	28,800
	70	58.3	109.0	22,600
	75	55.4	105.6	17,300
80	52.4	101.8	12,800	
150	24	82.6	136.7	233,000*
	26	81.7	136.4	211,200
	28	80.8	136.0	182,700
	30	79.9	135.7	160,000
	32	79.0	135.3	141,300
	34	78.1	134.8	125,800
	36	77.2	134.3	112,700
	38	76.3	133.8	101,400
	40	75.4	133.3	91,700
	42	74.5	132.7	83,100
160	44	73.5	132.1	75,600
	46	72.6	131.5	68,900
	48	71.7	130.8	62,900
	50	70.7	130.1	57,500

BOOM LGTH. FEET	OPER. RAD. FEET	BOOM ANG. DEG.	BOOM POINT ELEV. FEET	BOOM CAPACITY POUNDS
130	55	68.4	128.1	46,100
	60	66.0	125.9	37,000
	65	63.5	123.4	29,500
	70	61.0	120.7	23,300
	75	58.4	117.6	18,000
80	55.8	114.3	13,500	
140	26	82.3	146.5	212,000
	28	81.5	146.2	183,500
	30	80.6	145.8	160,700
	32	79.8	145.5	142,000
	34	79.0	145.1	126,500
	36	78.1	144.6	113,300
	38	77.3	144.1	102,000
	40	76.4	143.6	92,200
	42	75.6	143.1	83,700
	44	74.7	142.5	76,100
150	46	73.9	141.9	69,400
	48	73.0	141.3	63,400
	50	72.2	140.7	58,000
	55	70.0	138.9	46,600
	60	67.8	136.8	37,500
	65	65.5	134.6	30,000
	70	63.3	132.1	23,800
	75	60.9	129.3	18,500
	80	58.5	126.3	13,900
	85	56.1	123.0	10,000
160	26	82.8	156.6	202,800*
	28	82.0	156.3	184,300
	30	81.3	156.0	161,400
	32	80.5	155.6	142,600
	34	79.7	155.3	127,000
	36	78.9	154.8	113,800
	38	78.2	154.4	102,500
	40	77.4	153.9	92,700
	42	76.6	153.5	84,100
	44	75.8	152.9	76,500
170	46	75.0	152.4	69,800
	48	74.2	151.8	63,700
	50	73.4	151.2	58,300
	55	71.4	149.5	46,900
	60	69.4	147.6	37,700
	65	67.3	145.6	30,200
	70	65.2	143.3	23,900
	75	63.0	140.8	18,600
	80	60.9	138.0	14,100
	85	58.6	135.0	10,100
180	28	82.5	166.4	184,700
	30	81.8	166.1	161,800
	32	81.1	165.8	143,000
	34	80.4	165.4	127,400
	36	79.6	165.1	114,100
	38	78.9	164.6	102,800
	40	78.2	164.2	93,000
	42	77.4	163.7	84,400
	44	76.7	163.3	76,800
	46	76.0	162.7	70,000
190	48	75.2	162.2	64,000
	50	74.5	161.6	58,500
	55	72.6	160.1	47,100
	60	70.7	158.3	37,900
	65	68.8	156.4	30,300
	70	66.8	154.3	24,100
	75	64.9	152.0	18,800
	80	62.9	149.4	14,200
	85	60.8	146.7	10,300

S/N: 8885093

MANITOWOC ENGINEERING CO.

Division of the Manitowoc Company, Inc. Manitowoc, Wisconsin 54220



LIFT CRANE BOOM CAPACITIES WITH LUFFING JIB ATTACHED

MEETS
ANSI B30.5
REQUIREMENTS

888 SERIES 1

**BOOM NO. 22EL
LUFFING JIB NO. 135
144,100 LB. COUNTERWEIGHT
28'2" CRAWLERS EXTENDED
360 DEGREE RATING**

150 FT. LUFFING JIB, ATTACHED AT 168 DEGREE BOOM TO LUFFING JIB ANGLE

BOOM LGTH. FEET	OPER. RAD. FEET	BOOM ANG. DEG.	BOOM POINT ELEV. FEET	BOOM CAPACITY POUNDS
70	16	82.8	77.2	359,600*
	17	82.0	77.1	336,900*
	18	81.1	76.9	316,500*
	19	80.3	76.7	298,100*
	20	79.5	76.5	281,300*
	22	77.8	76.0	252,000*
	24	76.1	75.5	227,200*
	26	74.4	74.9	197,200
	28	72.7	74.2	169,600
	30	70.9	73.5	147,500
32	69.2	72.7	129,400	
34	67.4	71.8	114,300	
36	65.6	70.9	101,600	
38	63.7	69.8	90,600	
40	61.9	68.7	81,200	
42	60.0	67.5	72,900	
44	58.0	66.2	65,500	
46	56.0	64.9	59,000	
48	54.0	63.4	53,200	
50	51.9	61.7	47,900	
80	17	83.0	87.2	337,600*
	18	82.3	87.0	317,300*
	19	81.5	86.9	298,900*
	20	80.8	86.7	282,200*
	22	79.3	86.3	253,000*
	24	77.9	85.8	228,300*
	26	76.4	85.3	200,300
	28	74.9	84.7	172,500
	30	73.4	84.1	150,300
	32	71.9	83.4	132,100
34	70.4	82.7	116,900	
36	68.8	81.9	104,100	
38	67.3	81.0	93,100	
40	65.7	80.0	83,500	
42	64.1	79.0	75,200	
44	62.4	78.0	67,800	
46	60.8	76.8	61,300	
48	59.1	75.6	55,400	
50	57.4	74.3	50,100	
55	52.9	70.6	39,000	
90	19	82.5	97.0	299,600*
	20	81.8	96.8	283,000*
	22	80.5	96.5	253,800*
	24	79.2	96.1	229,200*
	26	77.9	95.6	202,900
	28	76.6	95.1	174,900
	30	75.3	94.6	152,600
	32	74.0	94.0	134,300
	34	72.6	93.3	119,000
	36	71.3	92.6	106,100
38	69.9	91.8	95,100	
40	68.6	91.0	85,500	
42	67.2	90.1	77,100	
44	65.8	89.2	69,700	
46	64.3	88.2	63,100	
48	62.9	87.2	57,200	
50	61.4	86.0	51,900	
55	57.7	82.9	40,700	
60	53.8	79.3	31,700	
100	20	82.7	107.0	283,700*
	22	81.5	106.6	254,700*
	24	80.3	106.3	230,100*
	26	79.2	105.9	204,800
	28	78.0	105.4	176,700
	30	76.8	104.9	154,300
	32	75.6	104.4	136,000
	34	74.4	103.8	120,700

BOOM LGTH. FEET	OPER. RAD. FEET	BOOM ANG. DEG.	BOOM POINT ELEV. FEET	BOOM CAPACITY POUNDS
100	36	73.2	103.2	107,800
	38	72.0	102.5	96,700
	40	70.8	101.8	87,100
	42	69.6	101.0	78,700
	44	68.3	100.2	71,200
	46	67.1	99.3	64,600
	48	65.8	98.4	58,700
	50	64.6	97.4	53,400
	55	61.3	94.7	42,200
	65	57.9	91.6	33,200
110	22	82.3	116.8	254,900*
	24	81.2	116.4	230,400*
	26	80.2	116.1	206,400
	28	79.1	115.7	178,300
	30	78.0	115.2	155,800
	32	77.0	114.7	137,400
	34	75.9	114.2	122,000
	36	74.8	113.6	109,000
	38	73.7	113.0	97,900
	40	72.6	112.4	88,200
120	42	71.5	111.7	79,800
	44	70.4	110.9	72,300
	46	69.3	110.2	65,700
	48	68.2	109.3	59,700
	50	67.0	108.5	54,400
	55	64.1	106.1	43,100
	60	61.2	103.4	34,100
	65	58.1	100.3	26,700
	70	55.0	96.8	20,500
	75	51.7	93.0	15,300
130	22	82.9	126.9	255,200*
	24	82.0	126.6	230,700*
	26	81.0	126.2	207,700
	28	80.0	125.9	179,500
	30	79.1	125.5	156,900
	32	78.1	125.0	138,400
	34	77.1	124.5	123,000
	36	76.1	124.0	110,000
	38	75.1	123.5	98,800
	40	74.1	122.9	89,100
140	42	73.1	122.2	80,700
	44	72.1	121.6	73,200
	46	71.1	120.9	66,500
	48	70.1	120.1	60,600
	50	69.1	119.3	55,200
	55	66.5	117.2	43,900
	60	63.8	114.7	34,900
	65	61.1	112.0	27,500
	70	58.3	109.0	21,300
	75	55.4	105.6	16,100
150	80	52.4	101.8	11,600
	24	82.6	136.7	231,100*
	26	81.7	136.4	208,800
	28	80.8	136.0	180,500
	30	79.9	135.7	157,900
	32	79.0	135.3	139,400
	34	78.1	134.8	124,000
	36	77.2	134.3	110,900
	38	76.3	133.8	99,700
	40	75.4	133.3	90,000
160	42	74.5	132.7	81,600
	44	73.5	132.1	74,100
	46	72.6	131.5	67,400
	48	71.7	130.8	61,400
	50	70.7	130.1	56,100

BOOM LGTH. FEET	OPER. RAD. FEET	BOOM ANG. DEG.	BOOM POINT ELEV. FEET	BOOM CAPACITY POUNDS
130	55	68.4	128.1	44,800
	60	66.0	125.9	35,700
	65	63.5	123.4	28,300
	70	61.0	120.7	22,100
	75	58.4	117.6	16,800
80	55.8	114.3	12,300	
140	26	82.3	146.5	209,700
	28	81.5	146.2	181,300
	30	80.6	145.8	158,700
	32	79.8	145.5	140,100
	34	79.0	145.1	124,700
	36	78.1	144.6	111,600
	38	77.3	144.1	100,400
	40	76.4	143.6	90,700
	42	75.6	143.1	82,200
	44	74.7	142.5	74,700
150	46	73.9	141.9	68,000
	48	73.0	141.3	62,000
	50	72.2	140.7	56,600
	55	70.0	138.9	45,300
	60	67.8	136.8	36,200
	65	65.5	134.6	28,800
	70	63.3	132.1	22,600
	75	60.9	129.3	17,300
	80	58.5	126.3	12,800
	160	26	82.8	156.6
28		82.0	156.3	182,200
30		81.3	156.0	159,400
32		80.5	155.6	140,800
34		79.7	155.3	125,300
36		78.9	154.8	112,200
38		78.2	154.4	100,900
40		77.4	153.9	91,100
42		76.6	153.5	82,600
44		75.8	152.9	75,100
170	46	75.0	152.4	68,400
	48	74.2	151.8	62,400
	50	73.4	151.2	57,000
	55	71.4	149.5	45,600
	60	69.4	147.6	36,500
	65	67.3	145.6	29,000
	70	65.2	143.3	22,800
	75	63.0	140.8	17,500
	80	60.9	138.0	13,000
	180	28	82.5	166.4
30		81.8	166.1	159,900
32		81.1	165.8	141,200
34		80.4	165.4	125,700
36		79.6	165.1	112,500
38		78.9	164.6	101,200
40		78.2	164.2	91,500
42		77.4	163.7	82,900
44		76.7	163.3	75,400
46		76.0	162.7	68,600
190	48	75.2	162.2	62,600
	50	74.5	161.6	57,200
	55	72.6	160.1	45,800
	60	70.7	158.3	36,700
	65	68.8	156.4	29,200
	70	66.8	154.3	23,000
	75	64.9	152.0	17,700
	80	62.9	149.4	13,200



**LIFT CRANE BOOM CAPACITIES
 WITH LUFFING JIB ATTACHED**

MEETS
 ANSI B30.5
 REQUIREMENTS

888 SERIES 1

**BOOM NO. 22EL
 LUFFING JIB NO. 135
 144,100 LB. COUNTERWEIGHT
 28'2" CRAWLERS EXTENDED
 360 DEGREE RATING**

160 FT. LUFFING JIB, ATTACHED AT 168 DEGREE BOOM TO LUFFING JIB ANGLE

BOOM LGTH. FEET	OPER. RAD. FEET	BOOM ANG. DEG.	BOOM POINT ELEV. FEET	BOOM CAPACITY POUNDS
70	16	82.8	77.2	355,800*
	17	82.0	77.1	333,100*
	18	81.1	76.9	312,700*
	19	80.3	76.7	294,300*
	20	79.5	76.5	277,600*
	22	77.8	76.0	248,300*
	24	76.1	75.5	223,600*
	26	74.4	74.9	193,000
	28	72.7	74.2	165,600
	30	70.9	73.5	143,700
32	69.2	72.7	125,700	
34	67.4	71.8	110,700	
36	65.6	70.9	98,100	
38	63.7	69.8	87,200	
40	61.9	68.7	77,800	
42	60.0	67.5	69,500	
44	58.0	66.2	62,300	
46	56.0	64.9	55,800	
48	54.0	63.4	50,000	
50	51.9	61.7	44,800	
80	17	83.0	87.2	333,900*
	18	82.3	87.0	313,600*
	19	81.5	86.9	295,300*
	20	80.8	86.7	278,600*
	22	79.3	86.3	249,500*
	24	77.9	85.8	224,800*
	26	76.4	85.3	196,400
	28	74.9	84.7	168,800
	30	73.4	84.1	146,700
	32	71.9	83.4	128,600
34	70.4	82.7	113,600	
36	68.8	81.9	100,800	
38	67.3	81.0	89,900	
40	65.7	80.0	80,400	
42	64.1	79.0	72,100	
44	62.4	78.0	64,800	
46	60.8	76.8	58,300	
48	59.1	75.6	52,500	
50	57.4	74.3	47,200	
55	52.9	70.6	36,200	
90	19	82.5	97.0	296,200*
	20	81.8	96.8	279,500*
	22	80.5	96.5	250,500*
	24	79.2	96.1	225,900*
	26	77.9	95.6	199,100
	28	76.6	95.1	171,300
	30	75.3	94.6	149,100
	32	74.0	94.0	131,000
	34	72.6	93.3	115,800
	36	71.3	92.6	103,000
38	69.9	91.8	92,000	
40	68.6	91.0	82,500	
42	67.2	90.1	74,200	
44	65.8	89.2	66,800	
46	64.3	88.2	60,300	
48	62.9	87.2	54,400	
50	61.4	86.0	49,200	
55	57.7	82.9	38,000	
60	53.8	79.3	29,100	
100	20	82.7	107.0	280,400*
	22	81.5	106.6	251,400*
	24	80.3	106.3	226,900*
	26	79.2	105.9	201,100
	28	78.0	105.4	173,300
	30	76.8	104.9	151,100
	32	75.6	104.4	132,800
	34	74.4	103.8	117,700

BOOM LGTH. FEET	OPER. RAD. FEET	BOOM ANG. DEG.	BOOM POINT ELEV. FEET	BOOM CAPACITY POUNDS
100	36	73.2	103.2	104,800
	38	72.0	102.5	93,800
	40	70.8	101.8	84,300
	42	69.6	101.0	75,900
	44	68.3	100.2	68,500
	46	67.1	99.3	62,000
	48	65.8	98.4	56,100
	50	64.6	97.4	50,800
	55	61.3	94.7	39,700
	60	57.9	91.6	30,700
65	54.4	88.1	23,400	
110	22	82.3	116.8	251,800*
	24	81.2	116.4	227,300*
	26	80.2	116.1	203,000
	28	79.1	115.7	175,000
	30	78.0	115.2	152,600
	32	77.0	114.7	134,300
	34	75.9	114.2	119,100
	36	74.8	113.6	106,200
	38	73.7	113.0	95,100
	40	72.6	112.4	85,500
42	71.5	111.7	77,100	
44	70.4	110.9	69,700	
46	69.3	110.2	63,100	
48	68.2	109.3	57,200	
50	67.0	108.5	51,900	
55	64.1	106.1	40,700	
60	61.2	103.4	31,800	
65	58.1	100.3	24,400	
70	55.0	96.8	18,300	
75	51.7	93.0	13,100	
120	22	82.9	126.9	252,100*
	24	82.0	126.6	227,700*
	26	81.0	126.2	204,300
	28	80.0	125.9	176,300
	30	79.1	125.5	153,800
	32	78.1	125.0	135,500
	34	77.1	124.5	120,200
	36	76.1	124.0	107,300
	38	75.1	123.5	96,200
	40	74.1	122.9	86,500
42	73.1	122.2	78,100	
44	72.1	121.6	70,700	
46	71.1	120.9	64,100	
48	70.1	120.1	58,200	
50	69.1	119.3	52,900	
55	66.5	117.2	41,600	
60	63.8	114.7	32,700	
65	61.1	112.0	25,300	
70	58.3	109.0	19,200	
75	55.4	105.6	14,000	
130	24	82.6	136.7	228,100*
	26	81.7	136.4	205,500
	28	80.8	136.0	177,400
	30	79.9	135.7	155,000
	32	79.0	135.3	136,600
	34	78.1	134.8	121,300
	36	77.2	134.3	108,300
	38	76.3	133.8	97,200
	40	75.4	133.3	87,500
	42	74.5	132.7	79,100
44	73.5	132.1	71,700	
46	72.6	131.5	65,000	
48	71.7	130.8	59,100	
50	70.7	130.1	53,800	

BOOM LGTH. FEET	OPER. RAD. FEET	BOOM ANG. DEG.	BOOM POINT ELEV. FEET	BOOM CAPACITY POUNDS
130	55	68.4	128.1	42,500
	60	66.0	125.9	33,500
	65	63.5	123.4	26,200
	70	61.0	120.7	20,000
	75	58.4	117.6	14,800
80	55.8	114.3	10,400	
140	26	82.3	146.5	206,500
	28	81.5	146.2	178,300
	30	80.6	145.8	155,800
	32	79.8	145.5	137,400
	34	79.0	145.1	122,000
	36	78.1	144.6	109,000
	38	77.3	144.1	97,900
	40	76.4	143.6	88,200
	42	75.6	143.1	79,800
	44	74.7	142.5	72,300
46	73.9	141.9	65,700	
48	73.0	141.3	59,800	
50	72.2	140.7	54,400	
55	70.0	138.9	43,100	
60	67.8	136.8	34,100	
65	65.5	134.6	26,700	
70	63.3	132.1	20,600	
75	60.9	129.3	15,400	
80	58.5	126.3	10,900	
150	26	82.8	156.6	198,000*
	28	82.0	156.3	179,200
	30	81.3	156.0	156,600
	32	80.5	155.6	138,100
	34	79.7	155.3	122,700
	36	78.9	154.8	109,600
	38	78.2	154.4	98,500
	40	77.4	153.9	88,800
	42	76.6	153.5	80,300
	44	75.8	152.9	72,800
46	75.0	152.4	66,100	
48	74.2	151.8	60,200	
50	73.4	151.2	54,800	
55	71.4	149.5	43,500	
60	69.4	147.6	34,400	
65	67.3	145.6	27,000	
70	65.2	143.3	20,900	
75	63.0	140.8	15,600	
80	60.9	138.0	11,100	
160	28	82.5	166.4	179,800
	30	81.8	166.1	157,200
	32	81.1	165.8	138,600
	34	80.4	165.4	123,200
	36	79.6	165.1	110,100
	38	78.9	164.6	98,900
	40	78.2	164.2	89,100
	42	77.4	163.7	80,600
	44	76.7	163.3	73,100
	46	76.0	162.7	66,500
48	75.2	162.2	60,500	
50	74.5	161.6	55,100	
55	72.6	160.1	43,800	
60	70.7	158.3	34,700	
65	68.8	156.4	27,300	
70	66.8	154.3	21,100	
75	64.9	152.0	15,900	
80	62.9	149.4	11,400	

S/N: 8885093

MANITOWOC ENGINEERING CO.

Division of the Manitowoc Company, Inc. Manitowoc, Wisconsin 54220



LIFT CRANE BOOM CAPACITIES WITH LUFFING JIB ATTACHED

MEETS
ANSI B30.5
REQUIREMENTS

888 SERIES 1

BOOM NO. 22EL
LUFFING JIB NO. 135
144,100 LB. COUNTERWEIGHT
28'2" CRAWLERS EXTENDED
360 DEGREE RATING

170 FT. LUFFING JIB, ATTACHED AT 168 DEGREE BOOM TO LUFFING JIB ANGLE

BOOM LGTH. FEET	OPER. RAD. FEET	BOOM ANG. DEG.	BOOM POINT ELEV. FEET	BOOM CAPACITY POUNDS
70	16	82.8	77.2	352,100*
	17	82.0	77.1	329,500*
	18	81.1	76.9	309,200*
	19	80.3	76.7	290,800*
	20	79.5	76.5	274,100*
	22	77.8	76.0	244,900*
	24	76.1	75.5	220,200*
	26	74.4	74.9	189,000
	28	72.7	74.2	161,800
	30	70.9	73.5	140,000
32	69.2	72.7	122,200	
34	67.4	71.8	107,300	
36	65.6	70.9	94,800	
38	63.7	69.8	84,000	
40	61.9	68.7	74,700	
42	60.0	67.5	66,500	
44	58.0	66.2	59,300	
46	56.0	64.9	52,900	
48	54.0	63.4	47,100	
50	51.9	61.7	42,000	
80	17	83.0	87.2	330,500*
	18	82.3	87.0	310,300*
	19	81.5	86.9	292,000*
	20	80.8	86.7	275,300*
	22	79.3	86.3	246,200*
	24	77.9	85.8	221,600*
	26	76.4	85.3	192,600
	28	74.9	84.7	165,200
	30	73.4	84.1	143,300
	32	71.9	83.4	125,300
34	70.4	82.7	110,400	
36	68.8	81.9	97,800	
38	67.3	81.0	86,900	
40	65.7	80.0	77,500	
42	64.1	79.0	69,300	
44	62.4	78.0	62,000	
46	60.8	76.8	55,600	
48	59.1	75.6	49,800	
50	57.4	74.3	44,600	
55	52.9	70.6	33,600	
90	19	82.5	97.0	293,000*
	20	81.8	96.8	276,400*
	22	80.5	96.5	247,400*
	24	79.2	96.1	222,800*
	26	77.9	95.6	195,500
	28	76.6	95.1	168,000
	30	75.3	94.6	145,900
	32	74.0	94.0	127,900
	34	72.6	93.3	112,900
	36	71.3	92.6	100,100
38	69.9	91.8	89,200	
40	68.6	91.0	79,800	
42	67.2	90.1	71,500	
44	65.8	89.2	64,200	
46	64.3	88.2	57,700	
48	62.9	87.2	51,900	
50	61.4	86.0	46,700	
55	57.7	82.9	35,700	
60	53.8	79.3	26,800	
100	20	82.7	107.0	277,300*
	22	81.5	106.6	248,400*
	24	80.3	106.3	224,000*
	26	79.2	105.9	197,700
	28	78.0	105.4	170,100
	30	76.8	104.9	148,000
32	75.6	104.4	129,900	
34	74.4	103.8	114,800	

BOOM LGTH. FEET	OPER. RAD. FEET	BOOM ANG. DEG.	BOOM POINT ELEV. FEET	BOOM CAPACITY POUNDS
100	36	73.2	103.2	102,100
	38	72.0	102.5	91,100
	40	70.8	101.8	81,700
	42	69.6	101.0	73,400
	44	68.3	100.2	66,100
	46	67.1	99.3	59,600
48	65.8	98.4	53,700	
50	64.6	97.4	48,500	
55	61.3	94.7	37,400	
60	57.9	91.6	28,600	
65	54.4	88.1	21,300	
110	22	82.3	116.8	248,800*
	24	81.2	116.4	224,400*
	26	80.2	116.1	199,600
	28	79.1	115.7	171,900
	30	78.0	115.2	149,700
	32	77.0	114.7	131,500
	34	75.9	114.2	116,400
	36	74.8	113.6	103,600
	38	73.7	113.0	92,600
	40	72.6	112.4	83,000
42	71.5	111.7	74,700	
44	70.4	110.9	67,400	
46	69.3	110.2	60,800	
48	68.2	109.3	55,000	
50	67.0	108.5	49,700	
55	64.1	106.1	38,600	
60	61.2	103.4	29,700	
65	58.1	100.3	22,400	
70	55.0	96.8	16,300	
75	51.7	93.0	11,200	
120	22	82.9	126.9	249,300*
	24	82.0	126.6	224,900*
	26	81.0	126.2	201,100
	28	80.0	125.9	173,300
	30	79.1	125.5	151,000
	32	78.1	125.0	132,800
	34	77.1	124.5	117,600
	36	76.1	124.0	104,700
	38	75.1	123.5	93,700
	40	74.1	122.9	84,200
42	73.1	122.2	75,800	
44	72.1	121.6	68,400	
46	71.1	120.9	61,900	
48	70.1	120.1	56,000	
50	69.1	119.3	50,700	
55	66.5	117.2	39,600	
60	63.8	114.7	30,700	
65	61.1	112.0	23,400	
70	58.3	109.0	17,300	
75	55.4	105.6	12,100	
130	24	82.6	136.7	225,400*
	26	81.7	136.4	202,400
	28	80.8	136.0	174,500
	30	79.9	135.7	152,200
	32	79.0	135.3	133,900
	34	78.1	134.8	118,700
36	77.2	134.3	105,800	
38	76.3	133.8	94,800	
40	75.4	133.3	85,200	
42	74.5	132.7	76,900	
44	73.5	132.1	69,500	
46	72.6	131.5	62,900	
48	71.7	130.8	57,000	

BOOM LGTH. FEET	OPER. RAD. FEET	BOOM ANG. DEG.	BOOM POINT ELEV. FEET	BOOM CAPACITY POUNDS
130	50	70.7	130.1	51,700
	55	68.4	128.1	40,600
	60	66.0	125.9	31,600
	65	63.5	123.4	24,300
	70	61.0	120.7	18,200
75	58.4	117.6	13,100	
140	26	82.3	146.5	203,400
	28	81.5	146.2	175,500
	30	80.6	145.8	153,100
	32	79.8	145.5	134,800
	34	79.0	145.1	119,600
	36	78.1	144.6	106,700
	38	77.3	144.1	95,600
	40	76.4	143.6	86,000
	42	75.6	143.1	77,600
	44	74.7	142.5	70,200
46	73.9	141.9	63,600	
48	73.0	141.3	57,700	
50	72.2	140.7	52,400	
55	70.0	138.9	41,200	
60	67.8	136.8	32,300	
65	65.5	134.6	25,000	
70	63.3	132.1	18,900	
75	60.9	129.3	13,700	
150	26	82.8	156.6	195,400*
	28	82.0	156.3	176,500
	30	81.3	156.0	154,000
	32	80.5	155.6	135,600
	34	79.7	155.3	120,300
	36	78.9	154.8	107,300
	38	78.2	154.4	96,200
	40	77.4	153.9	86,600
	42	76.6	153.5	78,200
	44	75.8	152.9	70,700
46	75.0	152.4	64,100	
48	74.2	151.8	58,200	
50	73.4	151.2	52,900	
55	71.4	149.5	41,700	
60	69.4	147.6	32,700	
65	67.3	145.6	25,300	
70	65.2	143.3	19,200	
75	63.0	140.8	14,000	
160	28	82.5	166.4	177,100
	30	81.8	166.1	154,600
	32	81.1	165.8	136,200
	34	80.4	165.4	120,800
	36	79.6	165.1	107,800
	38	78.9	164.6	96,700
	40	78.2	164.2	87,000
	42	77.4	163.7	78,600
	44	76.7	163.3	71,100
	46	76.0	162.7	64,500
48	75.2	162.2	58,600	
50	74.5	161.6	53,300	
55	72.6	160.1	42,000	
60	70.7	158.3	33,000	
65	68.8	156.4	25,600	
70	66.8	154.3	19,500	
75	64.9	152.0	14,300	

MANITOWOC ENGINEERING CO.

Division of the Manitowoc Company, Inc. Manitowoc, Wisconsin 54220



LIFTCRANE LUFFING JIB CAPACITIES

DESIGNED AND TESTED
WITH THE INTENT TO BE
THE SCOPE OF ANSI B30.5

888 SERIES 1

LUFFING JIB NO. 135 ON BOOM NO. 22EL
144,100 LB. COUNTERWEIGHT
28'2" CRAWLERS EXTENDED
360 DEGREE RATING

CAPACITIES FOR VARIOUS BOOM LENGTHS, BOOM ANGLES, LUFFING JIB LENGTHS, AND LUFFING JIB OPERATING RADIUS ARE FOR FREELY SUSPENDED LOADS AND DO NOT EXCEED 75% OF A STATIC TIPPING LOAD. CAPACITIES BASED ON STRUCTURAL COMPETENCE ARE DENOTED BY AN ASTERISK (*). CAPACITIES INDICATED BY (b) REQUIRE 2,825 LB. MINIMUM BLOCK WEIGHT.

LOWER BOOM POINT ASSEMBLY MUST BE COMPLETELY REMOVED ON 170' BOOM LENGTH.

WEIGHT OF ALL LOAD BLOCKS, HOOKS, WEIGHT BALL, SLINGS, HOIST LINES, ETC., BENEATH BOOM AND LUFFING JIB POINT SHEAVES, IS CONSIDERED PART OF LUFFING JIB LOAD. BOOM AND LUFFING JIB ARE NOT TO BE LOWERED BEYOND RADIUS WHERE COMBINED WEIGHTS ARE GREATER THAN RATED CAPACITY. WHERE NO CAPACITY IS SHOWN, OPERATION IS NOT INTENDED OR APPROVED.

MACHINE TO OPERATE ON A FIRM UNIFORMLY SUPPORTING SURFACE WITH CRAWLERS FULLY EXTENDED, GANTRY UP AND BEARING TURNTABLE LEVEL WITHIN A TOLERANCE OF 1/2" IN 10' AND PROPERLY SUPPORTED. DURING OPERATION, BOOM MUST BE MAINTAINED AT ONE OF THE SELECTED ANGLES SHOWN IN CHART. REFER TO LUFFING JIB ASSEMBLY NO. 177063 OR NO. 177354, WIRE ROPE SPECIFICATION CHART NO. 7825-A AND LUFFING JIB RAISING PROCEDURE CHART NO. 7826-A. CRANE OPERATOR JUDGMENT MUST BE USED TO ALLOW FOR DYNAMIC LOAD EFFECTS OF SWINGING, HOISTING OR LOWERING, TRAVEL, WIND CONDITIONS, AS WELL AS ADVERSE OPERATING CONDITIONS AND PHYSICAL MACHINE DEPRECIATION. REFER TO OPERATORS MANUAL FOR OPERATING GUIDELINES.

MACHINE TO TRAVEL ON A FIRM, LEVEL AND UNIFORMLY SUPPORTING SURFACE WITH BOOM AND LUFFING JIB WITHIN ANGLE RANGE SHOWN IN CAPACITY CHART. REFER TO MAXIMUM ALLOWABLE TRAVEL SPECIFICATION CHART NO. 7827-A.

OPERATING RADIUS IS HORIZONTAL DISTANCE FROM AXIS OF ROTATION TO CENTER OF VERTICAL HOIST LINE OR LOAD BLOCK. BOOM ANGLE IS ANGLE BETWEEN HORIZONTAL AND CENTERLINE OF BOOM BUTT AND INSERTS. LUFFING JIB ANGLE IS ANGLE BETWEEN HORIZONTAL AND CENTERLINE OF LUFFING JIB BUTT AND INSERTS, AND IS AN INDICATION OF OPERATING RADIUS. IN ALL CASES, OPERATING RADIUS SHALL GOVERN CAPACITY. LUFFING JIB POINT ELEVATION IS VERTICAL DISTANCE FROM GROUND LEVEL TO CENTERLINE OF LUFFING JIB POINT SHAFT.

MACHINE EQUIPPED WITH 28'2" EXTENDIBLE CRAWLERS, 48" TREADS, 10'3" RETRACTABLE GANTRY, 30' LIVE MAST, 20 PART BOOM HOIST REEVING, FOUR 1-3/8" BOOM PENDANTS, 8 PART LUFFING JIB HOIST REEVING, TWO 1-1/2" LUFFING JIB PENDANTS AND BACKSTAYS, AND 144,100 LB. COUNTERWEIGHT.

CONSULT CHART NO. 7829-A FOR LIFTING OFF LOWER BOOM POINT WITH LUFFING JIB ATTACHED.

70 FT. BOOM, 70 FT. JIB

JIB OPER. RAD. FEET	88 DEGREE BOOM ANGLE			83 DEGREE BOOM ANGLE			80 DEGREE BOOM ANGLE			75 DEGREE BOOM ANGLE			70 DEGREE BOOM ANGLE			65 DEGREE BOOM ANGLE			60 DEGREE BOOM ANGLE			JIB OPER. RAD. FEET
	JIB ANG. DEG.	JIB POINT ELEV. FEET	LUFFING JIB CAPACITY POUNDS	JIB ANG. DEG.	JIB POINT ELEV. FEET	LUFFING JIB CAPACITY POUNDS	JIB ANG. DEG.	JIB POINT ELEV. FEET	LUFFING JIB CAPACITY POUNDS	JIB ANG. DEG.	JIB POINT ELEV. FEET	LUFFING JIB CAPACITY POUNDS	JIB ANG. DEG.	JIB POINT ELEV. FEET	LUFFING JIB CAPACITY POUNDS	JIB ANG. DEG.	JIB POINT ELEV. FEET	LUFFING JIB CAPACITY POUNDS	JIB ANG. DEG.	JIB POINT ELEV. FEET	LUFFING JIB CAPACITY POUNDS	
40	64.3	141.0	101,800*b																			40
45	59.7	138.4	96,700*b	65.3	140.9	105,500*b																45
50	54.8	135.2	93,800*b	60.7	138.3	99,000b	64.1	139.6	96,900b													50
55	49.7	131.3	89,900*	55.9	135.2	87,500b	59.4	136.9	85,600b													55
60	44.1	126.6	81,000	50.8	131.5	78,300	54.5	133.6	76,600b	60.3	135.9	73,800b										60
65	37.8	120.9	73,200	45.3	127.0	70,700	49.3	129.7	69,200	55.4	132.7	66,700b										65
70	30.5	113.5	66,600	39.2	121.5	64,400	43.7	125.0	63,000	50.3	129.0	60,700	56.2	131.2	58,500b							70
75	21.1	103.1	55,800*	32.2	114.6	59,000	37.4	119.1	57,800	44.8	124.4	55,700	51.1	127.6	53,600							75
80				23.4	105.1	54,400	30.0	111.6	53,200	38.6	118.8	51,300	45.6	123.1	49,400	51.7	125.5	47,500				80
85				8.5	87.6	46,800*	20.4	101.0	49,300	31.5	111.6	47,500	39.6	117.7	45,800	46.3	121.2	44,000				85
90										22.4	101.8	44,200	32.6	110.8	42,600	40.3	115.8	40,900	46.7	118.5	39,400	90
95										5.2	81.5	41,100	24.0	101.6	39,700	33.5	109.2	38,200	40.7	113.2	36,700	95
100													10.0	85.2	37,100	25.1	100.3	35,700	34.0	106.7	34,400	100
105																12.4	85.5	33,500	25.7	98.0	32,300	105
110																			13.6	84.0	30,300	110

S/N: 8885093

MANITOWOC ENGINEERING CO.

Division of the Manitowoc Company, Inc. Manitowoc, Wisconsin 54220



LIFTCRANE LUFFING JIB CAPACITIES

DESIGNED AND TESTED
WITH THE INTENT TO BE
THE SCOPE OF ANSI B30.5

888 SERIES 1

LUFFING JIB NO. 135 ON BOOM NO. 22EL
144,100 LB. COUNTERWEIGHT
28'2" CRAWLERS EXTENDED
360 DEGREE RATING

70 FT. BOOM, 80 FT. JIB

JIB OPER. RAD. FEET	88 DEGREE BOOM ANGLE			83 DEGREE BOOM ANGLE			80 DEGREE BOOM ANGLE			75 DEGREE BOOM ANGLE			70 DEGREE BOOM ANGLE			65 DEGREE BOOM ANGLE			60 DEGREE BOOM ANGLE			JIB OPER. RAD. FEET
	JIB ANG. DEG.	JIB POINT ELEV. FEET	LUFFING JIB CAPACITY POUNDS	JIB ANG. DEG.	JIB POINT ELEV. FEET	LUFFING JIB CAPACITY POUNDS	JIB ANG. DEG.	JIB POINT ELEV. FEET	LUFFING JIB CAPACITY POUNDS	JIB ANG. DEG.	JIB POINT ELEV. FEET	LUFFING JIB CAPACITY POUNDS	JIB ANG. DEG.	JIB POINT ELEV. FEET	LUFFING JIB CAPACITY POUNDS	JIB ANG. DEG.	JIB POINT ELEV. FEET	LUFFING JIB CAPACITY POUNDS	JIB ANG. DEG.	JIB POINT ELEV. FEET	LUFFING JIB CAPACITY POUNDS	
40	67.7	152.0	95,100*b																			40
45	63.8	149.7	90,200*b	68.6	151.7	98,600*b																45
50	59.7	147.1	87,300*b	64.7	149.6	93,800*b	67.5	150.5	96,600b													50
55	55.5	143.9	83,200*	60.6	147.0	87,300b	63.6	148.2	85,400b													55
60	51.0	140.1	79,600*	56.4	143.9	78,000	59.5	145.5	76,300b													60
65	46.3	135.7	73,100	52.0	140.3	70,500	55.2	142.3	68,900	60.2	144.6	66,400b										65
70	41.1	130.5	66,500	47.3	136.1	64,200	50.7	138.6	62,800	56.0	141.4	60,400										70
75	35.3	124.2	61,000	42.2	131.0	58,800	45.9	134.1	57,500	51.6	137.8	55,400	56.7	139.9	53,300							75
80	28.5	116.1	56,200	36.6	125.0	54,200	40.7	128.8	53,000	46.9	133.5	51,100	52.3	136.4	49,100							80
85	19.7	104.9	47,200*	30.1	117.4	50,200	34.9	122.4	49,100	41.7	128.3	47,300	47.6	132.2	45,500	52.8	134.3	43,700				85
90				21.9	107.1	46,700	28.0	114.2	45,700	36.0	122.1	44,000	42.5	127.2	42,300	48.1	130.1	40,600				90
95				7.9	88.3	40,200*	19.0	102.7	42,600	29.4	114.4	41,100	36.9	121.2	39,500	43.1	125.3	37,900				95
100										21.0	103.7	38,400	30.5	113.7	37,000	37.6	119.4	35,500	43.5	122.6	34,100	100
105										4.9	81.9	35,900	22.4	103.6	34,700	31.3	112.1	33,300	38.0	116.8	32,000	105
110													9.3	86.0	32,500	23.5	102.4	31,300	23.5	102.4	30,100	110
115																11.6	86.6	29,500	24.1	100.2	28,400	115
120																			12.7	85.1	26,700	120

70 FT. BOOM, 90 FT. JIB

JIB OPER. RAD. FEET	88 DEGREE BOOM ANGLE			83 DEGREE BOOM ANGLE			80 DEGREE BOOM ANGLE			75 DEGREE BOOM ANGLE			70 DEGREE BOOM ANGLE			65 DEGREE BOOM ANGLE			60 DEGREE BOOM ANGLE			JIB OPER. RAD. FEET
	JIB ANG. DEG.	JIB POINT ELEV. FEET	LUFFING JIB CAPACITY POUNDS	JIB ANG. DEG.	JIB POINT ELEV. FEET	LUFFING JIB CAPACITY POUNDS	JIB ANG. DEG.	JIB POINT ELEV. FEET	LUFFING JIB CAPACITY POUNDS	JIB ANG. DEG.	JIB POINT ELEV. FEET	LUFFING JIB CAPACITY POUNDS	JIB ANG. DEG.	JIB POINT ELEV. FEET	LUFFING JIB CAPACITY POUNDS	JIB ANG. DEG.	JIB POINT ELEV. FEET	LUFFING JIB CAPACITY POUNDS	JIB ANG. DEG.	JIB POINT ELEV. FEET	LUFFING JIB CAPACITY POUNDS	
40	70.3	162.7	83,400*b																			40
45	66.9	160.7	79,200*b																			45
50	63.4	158.4	76,800*	67.6	160.5	82,300*b																50
55	59.8	155.7	73,300*	64.2	158.3	78,500*b	66.7	159.3	81,300*b													55
60	56.0	152.6	70,200*	60.6	155.7	75,000*	63.2	156.9	76,100													60
65	52.1	148.9	67,300*	56.8	152.6	70,300	59.5	154.2	68,800													65
70	47.9	144.8	64,600*	52.9	149.1	64,000	55.8	151.0	62,600	60.2	153.2	60,200										70
75	43.5	139.9	60,900	48.8	145.0	58,700	51.8	147.4	57,400	56.5	150.1	55,200	60.2	153.2	60,200							75
80	38.6	134.1	56,200	44.5	140.3	54,100	47.7	143.1	52,900	52.6	146.6	50,900	57.1	148.6	48,900							80
85	33.2	127.2	52,000	39.7	134.8	50,200	43.2	138.2	49,000	48.4	142.4	47,100	53.2	145.1	45,300							85
90	26.8	118.6	48,400	34.4	128.2	46,700	38.3	132.4	45,600	44.0	137.7	43,800	49.1	141.1	42,100							90
95	18.6	106.6	40,800*	28.3	120.0	43,600	32.8	125.4	42,600	39.2	132.0	40,900	44.7	136.4	39,300	49.6	139.1	37,700				95
100				20.6	109.0	40,800	26.4	116.6	39,900	33.9	125.3	38,300	40.0	130.9	36,800	45.2	134.5	35,300				100
105				7.5	89.0	35,200*	17.9	104.3	37,400	27.7	116.9	36,000	34.8	124.4	34,600	40.6	129.1	33,200	45.5	131.8	31,800	105
110										19.7	105.5	33,900	28.7	116.3	32,500	35.4	122.7	31,200	40.9	126.5	29,900	110
115										4.6	82.3	31,900	21.1	105.5	30,700	29.4	114.8	29,400	35.7	120.1	28,200	115
120													8.8	86.8	28,900	22.1	104.4	27,800	29.9	112.4	26,700	120
125																10.9	87.6	26,300	22.7	102.2	25,200	125
130																			11.9	86.2	23,900	130

S/N: 8885093

MANITOWOC ENGINEERING CO.

Division of the Manitowoc Company, Inc. Manitowoc, Wisconsin 54220



LIFTCRANE LUFFING JIB CAPACITIES

DESIGNED AND TESTED
WITH THE INTENT TO BE
THE SCOPE OF ANSI B30.5

888 SERIES 1

**LUFFING JIB NO. 135 ON BOOM NO. 22EL
144,100 LB. COUNTERWEIGHT
28'2" CRAWLERS EXTENDED
360 DEGREE RATING**

70 FT. BOOM, 100 FT. JIB

JIB OPER. RAD. FEET	88 DEGREE BOOM ANGLE			83 DEGREE BOOM ANGLE			80 DEGREE BOOM ANGLE			75 DEGREE BOOM ANGLE			70 DEGREE BOOM ANGLE			65 DEGREE BOOM ANGLE			60 DEGREE BOOM ANGLE			JIB OPER. RAD. FEET
	JIB ANG. DEG.	JIB POINT ELEV. FEET	LUFFING JIB CAPACITY POUNDS	JIB ANG. DEG.	JIB POINT ELEV. FEET	LUFFING JIB CAPACITY POUNDS	JIB ANG. DEG.	JIB POINT ELEV. FEET	LUFFING JIB CAPACITY POUNDS	JIB ANG. DEG.	JIB POINT ELEV. FEET	LUFFING JIB CAPACITY POUNDS	JIB ANG. DEG.	JIB POINT ELEV. FEET	LUFFING JIB CAPACITY POUNDS	JIB ANG. DEG.	JIB POINT ELEV. FEET	LUFFING JIB CAPACITY POUNDS	JIB ANG. DEG.	JIB POINT ELEV. FEET	LUFFING JIB CAPACITY POUNDS	
40	72.4	173.2	77,900* ^b																			40
45	69.3	171.5	75,300* ^b																			45
50	66.2	169.5	71,700* ^b	70.0	171.2	76,700* ^b																50
55	63.1	167.1	68,300*	66.9	169.3	73,100*																55
60	59.8	164.4	65,200*	63.7	167.0	69,800*	66.0	168.0	72,300*													60
65	56.4	161.3	62,300*	60.5	164.3	66,600*	62.9	165.6	68,500													65
70	52.9	157.7	59,600*	57.2	161.3	63,700*	59.6	162.9	62,300													70
75	49.2	153.7	57,200*	53.7	157.8	58,500	56.2	159.7	57,100	60.2	161.9	54,900										75
80	45.3	149.1	54,900*	50.0	153.9	53,900	52.7	156.1	52,600	56.8	158.8	50,600										80
85	41.1	143.7	51,900	46.2	149.4	49,900	49.0	152.1	48,800	53.3	155.3	46,800	57.4	157.3	44,900							85
90	36.6	137.5	48,200	42.1	144.3	46,400	45.1	147.4	45,400	49.7	151.3	43,600	53.9	153.9	41,800							90
95	31.5	130.1	45,100	37.6	138.3	43,400	40.9	142.0	42,300	45.8	146.8	40,700	50.2	150.0	39,000							95
100	25.4	120.9	42,200	32.6	131.2	40,600	36.3	135.8	39,700	41.7	141.6	38,100	46.4	145.5	36,500	50.7	147.9	35,000				100
105	17.6	108.2	35,400*	26.8	122.4	38,200	31.1	128.3	37,300	37.1	135.5	35,800	42.3	140.4	34,300	46.9	143.5	32,800				105
110				19.5	110.7	35,900	25.0	118.9	35,100	32.1	128.2	33,700	37.9	134.5	32,300	42.8	138.5	30,900	47.1	140.8	29,600	110
115				7.1	89.6	30,900*	17.0	105.9	33,100	26.2	119.3	31,800	32.9	127.4	30,500	38.4	132.7	29,200	43.1	135.9	27,900	115
120										18.7	107.2	30,000	27.2	118.8	28,800	33.5	125.8	27,600	38.7	130.1	26,400	120
125										4.4	82.7	28,300	20.0	107.3	27,200	27.9	117.4	26,100	33.8	123.3	24,900	125
130													8.3	87.6	25,800	21.0	106.3	24,700	28.3	115.0	23,600	130
135																10.3	88.5	23,400	21.5	104.2	22,400	135
140																			11.3	87.2	21,300	140

S/N: 8885093

MANITOWOC ENGINEERING CO.

Division of the Manitowoc Company, Inc. Manitowoc, Wisconsin 54220



LIFTCRANE LUFFING JIB CAPACITIES

DESIGNED AND TESTED
WITH THE INTENT TO BE
THE SCOPE OF ANSI B30.5

888 SERIES 1

**LUFFING JIB NO. 135 ON BOOM NO. 22EL
144,100 LB. COUNTERWEIGHT
28'2" CRAWLERS EXTENDED
360 DEGREE RATING**

70 FT. BOOM, 110 FT. JIB

JIB OPER. RAD. FEET	88 DEGREE BOOM ANGLE			83 DEGREE BOOM ANGLE			80 DEGREE BOOM ANGLE			75 DEGREE BOOM ANGLE			70 DEGREE BOOM ANGLE			65 DEGREE BOOM ANGLE			60 DEGREE BOOM ANGLE			JIB OPER. RAD. FEET
	JIB ANG. DEG.	JIB POINT ELEV. FEET	LUFFING JIB CAPACITY POUNDS	JIB ANG. DEG.	JIB POINT ELEV. FEET	LUFFING JIB CAPACITY POUNDS	JIB ANG. DEG.	JIB POINT ELEV. FEET	LUFFING JIB CAPACITY POUNDS	JIB ANG. DEG.	JIB POINT ELEV. FEET	LUFFING JIB CAPACITY POUNDS	JIB ANG. DEG.	JIB POINT ELEV. FEET	LUFFING JIB CAPACITY POUNDS	JIB ANG. DEG.	JIB POINT ELEV. FEET	LUFFING JIB CAPACITY POUNDS	JIB ANG. DEG.	JIB POINT ELEV. FEET	LUFFING JIB CAPACITY POUNDS	
40	74.0	183.7	73,700* ^b																			40
45	71.3	182.1	71,700* ^b																			45
50	68.5	180.3	68,700*																			50
55	65.7	178.2	65,800*	69.1	180.0	69,900*																55
60	62.8	175.8	62,900*	66.3	178.0	67,000*																60
65	59.8	173.0	60,200*	63.4	175.6	64,100*	65.5	176.7	66,200*													65
70	56.8	169.9	57,600*	60.5	173.0	61,400*	62.6	174.3	62,200													70
75	53.6	166.5	55,300*	57.4	170.0	58,400	59.6	171.5	57,000													75
80	50.3	162.5	53,100*	54.3	166.6	53,800	56.6	168.4	52,600	60.2	170.5	50,500										80
85	46.8	158.1	51,100*	51.0	162.8	49,900	53.4	164.9	48,700	57.1	167.5	46,800										85
90	43.1	153.1	48,200	47.6	158.4	46,400	50.1	160.9	45,300	54.0	164.1	43,500	57.6	166.0	41,700							90
95	39.1	147.4	45,100	43.9	153.6	43,400	46.6	156.5	42,300	50.7	160.2	40,600	54.5	162.6	39,000							95
100	34.8	140.8	42,200	40.0	148.0	40,600	42.9	151.4	39,700	47.2	155.8	38,100	51.2	158.8	36,500							100
105	30.0	132.9	39,700	35.8	141.6	38,200	38.9	145.7	37,300	43.6	150.9	35,800	47.8	154.5	34,300	51.6	156.7	32,800				105
110	24.2	123.1	34,900*	31.1	134.0	36,000	34.5	139.0	35,100	39.6	145.3	33,700	44.1	149.7	32,300	48.2	152.5	30,900				110
115	16.8	109.7	29,400*	25.6	124.7	34,000	29.6	131.0	33,100	35.4	138.8	31,800	40.3	144.2	30,500	44.6	147.7	29,100				115
120				18.6	112.4	32,100	23.8	121.0	31,400	30.6	131.0	30,100	36.0	137.8	28,800	40.7	142.3	27,600	44.8	145.1	26,300	120
125				6.8	90.2	25,800*	16.2	107.3	29,700	25.0	121.6	28,500	31.3	130.3	27,300	36.5	136.1	26,100	41.0	139.7	24,900	125
130										17.8	108.8	27,000	25.9	121.1	25,900	31.9	128.7	24,800	36.8	133.5	23,700	130
135										4.2	83.1	25,600	19.1	109.1	24,600	26.6	119.8	23,500	32.2	126.2	22,500	135
140													7.9	88.3	23,300	20.0	108.2	22,400	27.0	117.4	21,400	140
145																9.9	89.4	21,200	20.5	106.0	20,300	145
150																			10.8	88.2	19,300	150

S/N: 8885093

MANITOWOC ENGINEERING CO.

Division of the Manitowoc Company, Inc. Manitowoc, Wisconsin 54220



LIFTCRANE LUFFING JIB CAPACITIES

DESIGNED AND TESTED
WITH THE INTENT TO BE
THE SCOPE OF ANSI B30.5

888 SERIES 1

**LUFFING JIB NO. 135 ON BOOM NO. 22EL
144,100 LB. COUNTERWEIGHT
28'2" CRAWLERS EXTENDED
360 DEGREE RATING**

70 FT. BOOM, 120 FT. JIB

JIB OPER. RAD. FEET	88 DEGREE BOOM ANGLE			83 DEGREE BOOM ANGLE			80 DEGREE BOOM ANGLE			75 DEGREE BOOM ANGLE			70 DEGREE BOOM ANGLE			65 DEGREE BOOM ANGLE			60 DEGREE BOOM ANGLE			JIB OPER. RAD. FEET
	JIB ANG. DEG.	JIB POINT ELEV. FEET	LUFFING JIB CAPACITY POUNDS	JIB ANG. DEG.	JIB POINT ELEV. FEET	LUFFING JIB CAPACITY POUNDS	JIB ANG. DEG.	JIB POINT ELEV. FEET	LUFFING JIB CAPACITY POUNDS	JIB ANG. DEG.	JIB POINT ELEV. FEET	LUFFING JIB CAPACITY POUNDS	JIB ANG. DEG.	JIB POINT ELEV. FEET	LUFFING JIB CAPACITY POUNDS	JIB ANG. DEG.	JIB POINT ELEV. FEET	LUFFING JIB CAPACITY POUNDS	JIB ANG. DEG.	JIB POINT ELEV. FEET	LUFFING JIB CAPACITY POUNDS	
40	75.4	194.1	68,200*																			40
45	72.9	192.6	66,500*																			45
50	70.4	191.0	63,600*																			50
55	67.8	189.1	60,800*	70.9	190.7	64,500*																55
60	65.2	186.9	58,300*	68.4	188.8	61,900*																60
65	62.6	184.4	55,800*	65.8	186.7	59,400*	67.7	187.6	61,100*													65
70	59.8	181.7	53,500*	63.1	184.3	56,900*	65.0	185.4	58,700*													70
75	57.0	178.6	51,200*	60.4	181.6	54,600*	62.4	182.9	56,300*													75
80	54.1	175.2	49,000*	57.6	178.6	52,200*	59.7	180.2	52,300	62.9	181.9	50,200										80
85	51.1	171.4	47,000*	54.8	175.3	49,600	56.8	177.1	48,400	60.2	179.2	46,500										85
90	48.0	167.1	45,100*	51.8	171.6	46,200	53.9	173.6	45,000	57.4	176.2	43,200										90
95	44.7	162.3	43,300*	48.7	167.4	43,100	50.9	169.8	42,100	54.5	172.8	40,300	57.8	174.6	38,600							95
100	41.2	157.0	41,700*	45.4	162.7	40,400	47.8	165.5	39,400	51.5	169.0	37,800	54.9	171.3	36,200							100
105	37.4	150.9	39,500	42.0	157.5	37,900	44.5	160.7	37,000	48.4	164.8	35,500	52.0	167.6	33,900							105
110	33.3	143.8	37,200*	38.3	151.6	35,700	41.0	155.3	34,900	45.1	160.1	33,400	48.9	163.5	32,000	52.3	165.5	30,500				110
115	28.6	135.5	34,900*	34.2	144.7	33,700	37.2	149.1	32,900	41.6	154.8	31,500	45.6	158.8	30,100	49.2	161.4	28,800				115
120	23.2	125.2	30,500*	29.7	136.7	31,900	33.0	142.0	31,100	37.9	148.8	29,800	42.2	153.6	28,500	46.0	156.9	27,200				120
125	16.1	111.2	25,800*	24.5	126.9	30,200	28.3	133.6	29,500	33.8	141.9	28,200	38.5	147.7	27,000	42.6	151.7	25,800	46.2	154.2	24,600	125
130				17.8	114.0	28,700	22.8	123.1	28,000	29.2	133.7	26,800	34.5	141.0	25,600	38.9	145.9	24,500	42.8	149.1	23,300	130
135				6.5	90.8	22,800*	15.5	108.7	26,600	23.9	123.7	25,500	30.0	133.0	24,300	34.9	139.3	23,200	39.2	143.3	22,100	135
140										17.1	110.3	24,200	24.8	123.4	23,100	30.5	131.5	22,100	35.2	136.7	21,100	140
145										4.0	83.4	23,000	18.3	110.7	22,000	25.4	122.1	21,000	30.8	129.1	20,000	145
150													7.6	89.0	20,900	19.1	109.9	20,000	25.8	119.8	19,100	150
155																9.4	90.2	19,100	19.6	107.8	18,200	155
160																			10.3	89.1	17,300	160

S/N: 8885093

MANITOWOC ENGINEERING CO.

Division of the Manitowoc Company, Inc. Manitowoc, Wisconsin 54220



LIFTCRANE LUFFING JIB CAPACITIES

DESIGNED AND TESTED
WITH THE INTENT TO BE
THE SCOPE OF ANSI B30.5

888 SERIES 1

**LUFFING JIB NO. 135 ON BOOM NO. 22EL
144,100 LB. COUNTERWEIGHT
28'2" CRAWLERS EXTENDED
360 DEGREE RATING**

70 FT. BOOM, 130 FT. JIB

JIB OPER. RAD. FEET	88 DEGREE BOOM ANGLE			83 DEGREE BOOM ANGLE			80 DEGREE BOOM ANGLE			75 DEGREE BOOM ANGLE			70 DEGREE BOOM ANGLE			65 DEGREE BOOM ANGLE			60 DEGREE BOOM ANGLE			JIB OPER. RAD. FEET
	JIB ANG. DEG.	JIB POINT ELEV. FEET	LUFFING JIB CAPACITY POUNDS	JIB ANG. DEG.	JIB POINT ELEV. FEET	LUFFING JIB CAPACITY POUNDS	JIB ANG. DEG.	JIB POINT ELEV. FEET	LUFFING JIB CAPACITY POUNDS	JIB ANG. DEG.	JIB POINT ELEV. FEET	LUFFING JIB CAPACITY POUNDS	JIB ANG. DEG.	JIB POINT ELEV. FEET	LUFFING JIB CAPACITY POUNDS	JIB ANG. DEG.	JIB POINT ELEV. FEET	LUFFING JIB CAPACITY POUNDS	JIB ANG. DEG.	JIB POINT ELEV. FEET	LUFFING JIB CAPACITY POUNDS	
45	74.2	203.1	56,600*																			45
50	71.9	201.5	54,200*																			50
55	69.6	199.8	51,900*																			55
60	67.2	197.8	49,700*	70.1	199.5	52,600*																60
65	64.8	195.6	47,600*	67.7	197.6	50,400*																65
70	62.4	193.1	45,600*	65.3	195.4	48,300*	67.1	196.4	49,700*													70
75	59.8	190.4	43,700*	62.9	193.0	46,400*	64.7	194.1	47,800*													75
80	57.3	187.3	42,000*	60.4	190.3	44,500*	62.2	191.6	45,900*													80
85	54.6	183.9	40,300*	57.8	187.3	42,700*	59.7	188.8	44,100*	62.7	190.6	45,900*										85
90	51.8	180.2	38,700*	55.2	184.0	41,000*	57.1	185.8	42,300*	60.1	187.9	43,000										90
95	49.0	176.0	37,200*	52.4	180.3	39,400*	54.4	182.4	40,600*	57.6	184.8	40,100										95
100	46.0	171.5	35,700*	49.6	176.3	37,800*	51.7	178.6	39,100*	54.9	181.5	37,500	58.0	183.3	35,900							100
105	42.8	166.4	34,400*	46.7	171.8	36,400*	48.8	174.4	36,800	52.2	177.8	35,200	55.3	180.0	33,700							105
110	39.5	160.6	33,100*	43.5	166.8	35,000*	45.8	169.8	34,700	49.3	173.7	33,200	52.6	176.4	31,700							110
115	35.9	154.2	32,000*	40.2	161.3	33,600	42.6	164.7	32,700	46.4	169.2	31,300	49.8	172.3	29,900	52.9	174.3	28,600				115
120	31.9	146.7	30,900*	36.7	155.0	31,800	39.3	158.9	30,900	43.2	164.2	29,600	46.8	167.9	28,300	50.1	170.3	27,000				120
125	27.5	138.0	29,900*	32.8	147.8	30,100	35.7	152.4	29,300	39.9	158.5	28,000	43.7	162.9	26,800	47.2	165.9	25,500				125
130	22.3	127.2	27,100*	28.5	139.3	28,600	31.7	144.9	27,800	36.3	152.1	26,600	40.4	157.4	25,400	44.1	161.0	24,200	47.4	163.2	23,100	130
135	15.4	112.6	23,000*	23.5	129.1	27,200	27.2	136.0	26,500	32.4	144.8	25,300	36.9	151.2	24,100	40.8	155.5	23,000	44.3	158.3	21,900	135
140				17.1	115.6	25,800*	21.9	125.1	25,200	28.1	136.3	24,100	33.1	144.0	23,000	37.3	149.4	21,900	41.0	152.9	20,800	140
145				6.2	91.3	20,400*	14.9	110.0	24,000	23.0	125.8	22,900	28.8	135.7	21,900	33.5	142.4	20,800	37.6	146.8	19,800	145
150										16.4	111.8	21,800	23.8	125.5	20,800	29.3	134.2	19,800	33.8	139.8	18,900	150
155										3.8	83.8	20,800	17.6	112.3	19,900	24.4	124.3	18,900	29.6	131.7	18,000	155
160													7.3	89.6	18,900	18.4	111.5	18,100	24.8	122.0	17,200	160
165																9.1	91.0	17,200	18.8	109.5	16,400	165
170																			9.9	90.0	15,600	170

S/N: 8885093

MANITOWOC ENGINEERING CO.

Division of the Manitowoc Company, Inc. Manitowoc, Wisconsin 54220



LIFTCRANE LUFFING JIB CAPACITIES

DESIGNED AND TESTED
WITH THE INTENT TO BE
THE SCOPE OF ANSI B30.5

888 SERIES 1

**LUFFING JIB NO. 135 ON BOOM NO. 22EL
144,100 LB. COUNTERWEIGHT
28'2" CRAWLERS EXTENDED
360 DEGREE RATING**

70 FT. BOOM, 140 FT. JIB

JIB OPER. RAD. FEET	88 DEGREE BOOM ANGLE			83 DEGREE BOOM ANGLE			80 DEGREE BOOM ANGLE			75 DEGREE BOOM ANGLE			70 DEGREE BOOM ANGLE			65 DEGREE BOOM ANGLE			60 DEGREE BOOM ANGLE			JIB OPER. RAD. FEET
	JIB ANG. DEG.	JIB POINT ELEV. FEET	LUFFING JIB CAPACITY POUNDS	JIB ANG. DEG.	JIB POINT ELEV. FEET	LUFFING JIB CAPACITY POUNDS	JIB ANG. DEG.	JIB POINT ELEV. FEET	LUFFING JIB CAPACITY POUNDS	JIB ANG. DEG.	JIB POINT ELEV. FEET	LUFFING JIB CAPACITY POUNDS	JIB ANG. DEG.	JIB POINT ELEV. FEET	LUFFING JIB CAPACITY POUNDS	JIB ANG. DEG.	JIB POINT ELEV. FEET	LUFFING JIB CAPACITY POUNDS	JIB ANG. DEG.	JIB POINT ELEV. FEET	LUFFING JIB CAPACITY POUNDS	
45	75.4	213.4	52,300*																			45
50	73.3	212.0	50,100*																			50
55	71.1	210.4	48,000*																			55
60	68.9	208.6	45,900*																			60
65	66.7	206.6	43,900*	69.4	208.3	46,500*																65
70	64.5	204.3	42,000*	67.2	206.3	44,600*																70
75	62.2	201.8	40,200*	65.0	204.1	42,700*	66.6	205.1	44,000*													75
80	59.9	199.0	38,500*	62.7	201.7	40,900*	64.3	202.8	42,200*													80
85	57.5	196.0	36,900*	60.4	199.0	39,200*	62.0	200.3	40,400*													85
90	55.0	192.6	35,300*	58.0	196.0	37,500*	59.7	197.5	38,800*	62.5	199.2	40,400*										90
95	52.5	189.0	33,800*	55.5	192.7	35,900*	57.3	194.4	37,100*	60.1	196.5	38,900*										95
100	49.8	184.9	32,400*	53.0	189.1	34,400*	54.8	191.1	35,600*	57.7	193.5	37,200										100
105	47.1	180.5	31,100*	50.4	185.1	33,000*	52.3	187.4	34,100*	55.3	190.2	34,900										105
110	44.2	175.6	29,800*	47.7	180.8	31,700*	49.7	183.3	32,700*	52.8	186.6	32,900	55.7	188.7	31,400							110
115	41.2	170.2	28,600*	44.9	176.0	30,400*	46.9	178.9	31,400*	50.1	182.6	31,000	53.2	185.1	29,600							115
120	38.0	164.2	27,500*	41.9	170.7	29,200*	44.0	173.9	30,100*	47.4	178.2	29,300	50.6	181.2	28,000							120
125	34.6	157.3	26,400*	38.7	164.8	28,000*	41.0	168.5	28,900*	44.6	173.4	27,800	47.9	176.9	26,500	50.9	179.1	25,200				125
130	30.8	149.5	25,500*	35.3	158.2	26,900*	37.8	162.4	27,600	41.6	168.0	26,300	45.0	172.1	25,100	48.2	174.9	23,900				130
135	26.5	140.4	24,600*	31.6	150.6	25,900*	34.3	155.5	26,200	38.4	162.1	25,000	42.1	166.9	23,800	45.4	170.2	22,700				135
140	21.4	129.1	23,800*	27.5	141.8	25,000*	30.5	147.7	24,900	35.0	155.4	23,800	38.9	161.0	22,700	42.4	165.0	21,600	45.5	167.5	20,500	140
145	14.9	113.9	20,300*	22.6	131.1	24,100*	26.2	138.4	23,800	31.2	147.7	22,700	35.5	154.4	21,600	39.3	159.2	20,500	42.6	162.3	19,500	145
150				16.5	117.0	22,900*	21.1	127.0	22,700	27.0	138.7	21,600	31.8	146.9	20,600	35.9	152.7	19,500	39.5	156.6	18,600	150
155				6.0	91.9	18,100*	14.4	111.3	21,600	22.1	127.8	20,600	27.7	138.2	19,600	32.3	145.3	18,600	36.1	150.1	17,700	155
160										15.8	113.2	19,700	22.9	127.6	18,700	28.2	136.7	17,800	32.5	142.8	16,900	160
165										3.7	84.1	18,700	16.9	113.8	17,900	23.5	126.4	17,000	28.5	134.3	16,100	165
170													7.0	90.2	17,000	17.7	113.1	16,200	23.8	124.2	15,400	170
175																8.7	91.8	15,500	18.1	111.1	14,700	175
180																			9.6	90.8	14,000	180

S/N: 8885093

MANITOWOC ENGINEERING CO.

Division of the Manitowoc Company, Inc. Manitowoc, Wisconsin 54220



LIFTCRANE LUFFING JIB CAPACITIES

DESIGNED AND TESTED
WITH THE INTENT TO BE
THE SCOPE OF ANSI B30.5

888 SERIES 1

LUFFING JIB NO. 135 ON BOOM NO. 22EL
144,100 LB. COUNTERWEIGHT
28'2" CRAWLERS EXTENDED
360 DEGREE RATING

70 FT. BOOM, 150 FT. JIB

JIB OPER. RAD. FEET	88 DEGREE BOOM ANGLE			83 DEGREE BOOM ANGLE			80 DEGREE BOOM ANGLE			75 DEGREE BOOM ANGLE			70 DEGREE BOOM ANGLE			65 DEGREE BOOM ANGLE			60 DEGREE BOOM ANGLE			JIB OPER. RAD. FEET
	JIB ANG. DEG.	JIB POINT ELEV. FEET	LUFFING JIB CAPACITY POUNDS	JIB ANG. DEG.	JIB POINT ELEV. FEET	LUFFING JIB CAPACITY POUNDS	JIB ANG. DEG.	JIB POINT ELEV. FEET	LUFFING JIB CAPACITY POUNDS	JIB ANG. DEG.	JIB POINT ELEV. FEET	LUFFING JIB CAPACITY POUNDS	JIB ANG. DEG.	JIB POINT ELEV. FEET	LUFFING JIB CAPACITY POUNDS	JIB ANG. DEG.	JIB POINT ELEV. FEET	LUFFING JIB CAPACITY POUNDS	JIB ANG. DEG.	JIB POINT ELEV. FEET	LUFFING JIB CAPACITY POUNDS	
50	74.4	222.4	46,500*																			50
55	72.4	220.9	44,500*																			55
60	70.4	219.3	42,600*																			60
65	68.4	217.4	40,700*	70.8	219.0	43,100*																65
70	66.3	215.3	38,900*	68.8	217.1	41,200*																70
75	64.2	213.0	37,200*	66.7	215.1	39,500*																75
80	62.0	210.4	35,500*	64.6	212.8	37,800*	66.2	213.8	38,900*													80
85	59.9	207.7	34,000*	62.5	210.3	36,100*	64.1	211.5	37,300*													85
90	57.6	204.6	32,500*	60.3	207.6	34,600*	61.9	208.9	35,700*													90
95	55.3	201.3	31,000*	58.1	204.6	33,000*	59.7	206.2	34,200*	62.3	207.9	35,700*										95
100	53.0	197.7	29,700*	55.8	201.4	31,600*	57.5	203.1	32,700*	60.1	205.2	34,300*										100
105	50.6	193.8	28,400*	53.5	197.8	30,200*	55.2	199.8	31,300*	57.9	202.2	32,900*										105
110	48.0	189.5	27,100*	51.1	194.0	28,900*	52.8	196.1	29,900*	55.6	198.9	31,500*										110
115	45.4	184.8	26,000*	48.6	189.8	27,600*	50.4	192.2	28,600*	53.3	195.3	30,200*	56.0	197.4	29,500							115
120	42.7	179.6	24,800*	46.0	185.1	26,400*	47.9	187.9	27,400*	50.8	191.4	28,900*	53.6	193.9	27,900							120
125	39.8	173.9	23,800*	43.3	180.1	25,300*	45.2	183.1	26,200*	48.3	187.2	27,700*	51.2	190.0	26,400	51.5	188.0	23,800				125
130	36.7	167.5	22,800*	40.4	174.5	24,200*	42.5	177.9	25,100*	45.7	182.5	26,200	48.7	185.8	25,000	49.0	183.8	22,600				130
135	33.3	160.4	21,900*	37.4	168.3	23,200*	39.6	172.2	24,000*	43.0	177.4	24,900	46.1	181.2	23,700	46.4	179.2	21,500				135
140	29.7	152.2	21,000*	34.1	161.3	22,200*	36.5	165.8	23,000*	40.1	171.8	23,700	43.4	176.2	22,600	43.7	174.3	20,400				140
145	25.6	142.7	20,100*	30.5	153.4	21,300*	33.1	158.6	22,100*	37.1	165.5	22,600	40.6	170.6	21,500	43.7	174.3	20,400	46.6	176.6	19,400	145
150	20.7	131.0	19,400*	26.5	144.2	20,500*	29.4	150.3	21,200*	33.8	158.5	21,500	37.5	164.5	20,500	40.9	168.8	19,500	43.9	171.6	18,500	150
155	14.4	115.2	18,200*	21.8	133.1	19,700*	25.3	140.7	20,300*	30.1	150.4	20,600	34.3	157.6	19,600	37.9	162.7	18,600	41.1	166.2	17,600	155
160				15.9	118.5	19,100*	20.4	128.8	19,600*	26.1	141.1	19,700	30.7	149.7	18,700	34.7	155.9	17,700	38.1	160.1	16,800	160
165				5.8	92.4	16,200*	13.9	112.6	19,000*	21.3	129.7	18,800	26.8	140.6	17,800	31.1	148.1	16,900	34.9	153.3	16,000	165
170										15.3	114.6	18,000	22.1	129.6	17,100	27.2	139.2	16,200	31.4	145.7	15,300	170
175										3.6	84.4	17,100	16.3	115.3	16,300	22.7	128.5	15,500	27.5	136.8	14,600	175
180													6.8	90.8	15,600	17.1	114.6	14,800	23.0	126.2	14,000	180
185																8.4	92.6	14,100	17.5	112.7	13,400	185
190																			9.2	91.7	12,800	190

S/N: 8885093

MANITOWOC ENGINEERING CO.

Division of the Manitowoc Company, Inc. Manitowoc, Wisconsin 54220



LIFTCRANE LUFFING JIB CAPACITIES

DESIGNED AND TESTED
WITH THE INTENT TO BE
THE SCOPE OF ANSI B30.5

888 SERIES 1

LUFFING JIB NO. 135 ON BOOM NO. 22EL
144,100 LB. COUNTERWEIGHT
28'2" CRAWLERS EXTENDED
360 DEGREE RATING

70 FT. BOOM, 160 FT. JIB

JIB OPER. RAD. FEET	88 DEGREE BOOM ANGLE			83 DEGREE BOOM ANGLE			80 DEGREE BOOM ANGLE			75 DEGREE BOOM ANGLE			70 DEGREE BOOM ANGLE			65 DEGREE BOOM ANGLE			60 DEGREE BOOM ANGLE			JIB OPER. RAD. FEET
	JIB ANG. DEG.	JIB POINT ELEV. FEET	LUFFING JIB CAPACITY POUNDS	JIB ANG. DEG.	JIB POINT ELEV. FEET	LUFFING JIB CAPACITY POUNDS	JIB ANG. DEG.	JIB POINT ELEV. FEET	LUFFING JIB CAPACITY POUNDS	JIB ANG. DEG.	JIB POINT ELEV. FEET	LUFFING JIB CAPACITY POUNDS	JIB ANG. DEG.	JIB POINT ELEV. FEET	LUFFING JIB CAPACITY POUNDS	JIB ANG. DEG.	JIB POINT ELEV. FEET	LUFFING JIB CAPACITY POUNDS	JIB ANG. DEG.	JIB POINT ELEV. FEET	LUFFING JIB CAPACITY POUNDS	
50	75.4	232.8	42,800*																			50
55	73.6	231.4	40,900*																			55
60	71.7	229.8	39,100*																			60
65	69.8	228.1	37,300*																			65
70	67.9	226.1	35,600*	70.2	227.8	37,800*																70
75	65.9	224.0	34,000*	68.3	225.9	36,100*																75
80	63.9	221.7	32,400*	66.3	223.8	34,500*	67.7	224.7	35,500*													80
85	61.9	219.1	30,900*	64.4	221.5	32,900*	65.8	222.5	34,000*													85
90	59.9	216.3	29,500*	62.4	219.0	31,400*	63.8	220.2	32,500*													90
95	57.8	213.3	28,100*	60.3	216.3	30,000*	61.8	217.6	31,000*													95
100	55.6	210.0	26,700*	58.2	213.3	28,600*	59.7	214.8	29,600*	62.2	216.6	31,000*										100
105	53.4	206.5	25,500*	56.1	210.1	27,200*	57.6	211.8	28,200*	60.1	213.8	29,700*										105
110	51.2	202.6	24,300*	53.9	206.6	25,900*	55.5	208.5	26,900*	58.0	210.8	28,400*										110
115	48.8	198.4	23,100*	51.7	202.8	24,700*	53.3	204.9	25,600*	55.9	207.6	27,100*										115
120	46.4	193.8	22,000*	49.3	198.7	23,500*	51.0	201.0	24,400*	53.7	204.1	25,900*	56.2	206.1	27,100*							120
125	43.9	188.9	21,000*	46.9	194.2	22,400*	48.7	196.8	23,300*	51.5	200.2	24,700*	54.0	202.6	25,900*							125
130	41.2	183.4	20,000*	44.4	189.3	21,400*	46.3	192.2	22,200*	49.1	196.1	23,500*	51.8	198.8	24,700							130
135	38.4	177.4	19,000*	41.8	184.0	20,300*	43.7	187.2	21,100*	46.7	191.6	22,400*	49.5	194.7	23,400	52.1	196.7	22,300				135
140	35.5	170.8	18,200*	39.1	178.1	19,400*	41.1	181.7	20,100*	44.2	186.6	21,400*	47.1	190.3	22,300	49.8	192.7	21,100				140
145	32.3	163.3	17,300*	36.1	171.6	18,500*	38.3	175.7	19,200*	41.6	181.3	20,400*	44.6	185.4	21,200	47.4	188.3	20,100				145
150	28.7	154.8	16,500*	33.0	164.3	17,600*	35.3	169.0	18,300*	38.8	175.3	19,400*	42.0	180.1	20,200	44.9	183.5	19,100	47.5	185.6	18,100	150
155	24.7	144.9	15,800*	29.5	156.1	16,800*	32.0	161.5	17,500*	35.8	168.8	18,500*	39.2	174.3	19,300	42.3	178.2	18,300	45.0	180.8	17,300	155
160	20.0	132.8	15,100*	25.6	146.5	16,100*	28.5	152.9	16,700*	32.7	161.4	17,700*	36.3	167.8	18,400	39.5	172.4	17,400	42.5	175.6	16,500	160
165	13.9	116.4	14,600*	21.1	135.0	15,400*	24.5	142.9	15,900*	29.2	153.1	16,900*	33.2	160.6	17,600	36.6	166.1	16,600	39.7	169.8	15,700	165
170				15.4	119.8	14,800*	19.7	130.6	15,300*	25.3	143.4	16,100*	29.7	152.4	16,800	33.5	158.9	15,900	36.8	163.5	15,000	170
175				5.6	92.9	14,200*	13.4	113.8	14,700*	20.7	131.6	15,400*	25.9	142.9	16,100	30.1	150.9	15,200	33.7	156.4	14,300	175
180										14.8	115.9	14,900*	21.4	131.5	15,400	26.3	141.6	14,500	30.4	148.4	13,700	180
185										3.5	84.7	14,200*	15.8	116.7	14,700	22.0	130.4	13,900	26.6	139.2	13,100	185
190													6.6	91.4	14,000	16.5	116.1	13,300	22.3	128.2	12,500	190
195																8.2	93.3	12,700	16.9	114.2	12,000	195
200																			9.0	92.5	11,400	200

S/N: 8885093

MANITOWOC ENGINEERING CO.

Division of the Manitowoc Company, Inc. Manitowoc, Wisconsin 54220



LIFTCRANE LUFFING JIB CAPACITIES

DESIGNED AND TESTED
WITH THE INTENT TO BE
THE SCOPE OF ANSI B30.5

888 SERIES 1

LUFFING JIB NO. 135 ON BOOM NO. 22EL
144,100 LB. COUNTERWEIGHT
28'2" CRAWLERS EXTENDED
360 DEGREE RATING

70 FT. BOOM, 170 FT. JIB

JIB OPER. RAD. FEET	88 DEGREE BOOM ANGLE			83 DEGREE BOOM ANGLE			80 DEGREE BOOM ANGLE			75 DEGREE BOOM ANGLE			70 DEGREE BOOM ANGLE			65 DEGREE BOOM ANGLE			60 DEGREE BOOM ANGLE			JIB OPER. RAD. FEET
	JIB ANG. DEG.	JIB POINT ELEV. FEET	LUFFING JIB CAPACITY POUNDS	JIB ANG. DEG.	JIB POINT ELEV. FEET	LUFFING JIB CAPACITY POUNDS	JIB ANG. DEG.	JIB POINT ELEV. FEET	LUFFING JIB CAPACITY POUNDS	JIB ANG. DEG.	JIB POINT ELEV. FEET	LUFFING JIB CAPACITY POUNDS	JIB ANG. DEG.	JIB POINT ELEV. FEET	LUFFING JIB CAPACITY POUNDS	JIB ANG. DEG.	JIB POINT ELEV. FEET	LUFFING JIB CAPACITY POUNDS	JIB ANG. DEG.	JIB POINT ELEV. FEET	LUFFING JIB CAPACITY POUNDS	
55	74.5	241.8	37,900*																			55
60	72.8	240.3	36,200*																			60
65	71.0	238.7	34,500*																			65
70	69.2	236.9	32,900*																			70
75	67.4	234.9	31,400*	69.6	236.6	33,300*																75
80	65.6	232.7	29,800*	67.8	234.7	31,800*																80
85	63.7	230.4	28,400*	66.0	232.5	30,300*	67.3	233.4	31,300*													85
90	61.8	227.8	27,000*	64.1	230.2	28,800*	65.5	231.2	29,800*													90
95	59.9	225.0	25,700*	62.2	227.7	27,500*	63.6	228.9	28,400*													95
100	57.9	222.0	24,400*	60.3	224.9	26,100*	61.7	226.3	27,100*													100
105	55.9	218.7	23,200*	58.3	222.0	24,800*	59.8	223.5	25,800*	62.0	225.3	27,100*										105
110	53.8	215.2	22,000*	56.3	218.8	23,600*	57.8	220.4	24,500*	60.1	222.5	25,900*										110
115	51.7	211.4	20,900*	54.3	215.3	22,400*	55.8	217.2	23,300*	58.1	219.5	24,700*										115
120	49.5	207.3	19,900*	52.2	211.6	21,300*	53.7	213.6	22,200*	56.1	216.3	23,500*										120
125	47.3	202.9	18,900*	50.0	207.5	20,200*	51.6	209.8	21,100*	54.1	212.8	22,400*	56.5	214.8	23,500*							125
130	45.0	198.1	17,900*	47.8	203.2	19,200*	49.4	205.7	20,000*	52.0	209.0	21,300*	54.4	211.3	22,400*							130
135	42.5	192.8	17,000*	45.5	198.4	18,200*	47.1	201.2	19,000*	49.8	205.0	20,200*	52.3	207.6	21,300*							135
140	40.0	187.1	16,100*	43.0	193.3	17,300*	44.8	196.4	18,000*	47.6	200.6	19,200*	50.1	203.6	20,300*	52.5	205.5	20,900				140
145	37.3	180.9	15,300*	40.5	187.7	16,400*	42.4	191.1	17,100*	45.2	195.8	18,200*	47.9	199.2	19,300*	50.4	201.5	19,900				145
150	34.4	173.9	14,500*	37.8	181.6	15,600*	39.8	185.4	16,200*	42.8	190.6	17,300*	45.6	194.5	18,400*	48.2	197.2	18,900				150
155	31.3	166.2	13,800*	35.0	174.8	14,800*	37.1	179.1	15,400*	40.3	185.0	16,400*	43.2	189.4	17,500*	45.9	192.6	18,000				155
160	27.9	157.4	13,100*	32.0	167.3	14,000*	34.2	172.1	14,600*	37.6	178.8	15,600*	40.7	183.9	16,600*	43.5	187.5	17,200	46.0	189.9	16,200	160
165	24.0	147.1	12,300*	28.6	158.7	13,300*	31.1	164.3	13,900*	34.7	172.0	14,800*	38.0	177.8	15,800*	41.0	182.0	16,400	43.6	184.9	15,500	165
170	19.4	134.5	11,500*	24.9	148.8	12,500*	27.6	155.4	13,200*	31.7	164.3	14,100*	35.2	171.0	15,000*	38.3	176.0	15,700	41.1	179.4	14,800	170
175	13.5	117.6	10,700*	20.5	136.8	11,700*	23.7	145.0	12,300*	28.3	155.6	13,400*	32.1	163.5	14,200*	35.5	169.3	15,000	38.5	173.4	14,100	175
180				15.0	121.2	10,900*	19.1	132.3	11,500*	24.5	145.6	12,500*	28.8	155.0	13,500*	32.5	161.9	14,300*	35.7	166.8	13,500	180
185				5.4	93.4	10,200*	13.0	114.9	10,700*	20.0	133.4	11,700*	25.1	145.2	12,600*	29.2	153.5	13,600*	32.7	159.4	12,900	185
190										14.3	117.2	10,800*	20.8	133.4	11,800*	25.5	143.9	12,700*	29.4	151.1	12,300	190
195										3.4	85.0	10,200*	15.3	118.0	11,000*	21.3	132.3	11,900*	25.8	141.6	11,800	195
200													6.4	92.0	10,300*	16.0	117.5	11,100*	21.6	130.2	11,300	200
205																7.9	94.0	10,400*	16.4	115.7	10,800	205
210																			8.7	93.2	10,300	210

S/N: 8885093

MANITOWOC ENGINEERING CO.

Division of the Manitowoc Company, Inc. Manitowoc, Wisconsin 54220



LIFTCRANE LUFFING JIB CAPACITIES

DESIGNED AND TESTED
WITH THE INTENT TO BE
THE SCOPE OF ANSI B30.5

888 SERIES 1

LUFFING JIB NO. 135 ON BOOM NO. 22EL
144,100 LB. COUNTERWEIGHT
28'2" CRAWLERS EXTENDED
360 DEGREE RATING

80 FT. BOOM, 70 FT. JIB

JIB OPER. RAD. FEET	88 DEGREE BOOM ANGLE			83 DEGREE BOOM ANGLE			80 DEGREE BOOM ANGLE			75 DEGREE BOOM ANGLE			70 DEGREE BOOM ANGLE			65 DEGREE BOOM ANGLE			60 DEGREE BOOM ANGLE			JIB OPER. RAD. FEET
	JIB ANG. DEG.	JIB POINT ELEV. FEET	LUFFING JIB CAPACITY POUNDS	JIB ANG. DEG.	JIB POINT ELEV. FEET	LUFFING JIB CAPACITY POUNDS	JIB ANG. DEG.	JIB POINT ELEV. FEET	LUFFING JIB CAPACITY POUNDS	JIB ANG. DEG.	JIB POINT ELEV. FEET	LUFFING JIB CAPACITY POUNDS	JIB ANG. DEG.	JIB POINT ELEV. FEET	LUFFING JIB CAPACITY POUNDS	JIB ANG. DEG.	JIB POINT ELEV. FEET	LUFFING JIB CAPACITY POUNDS	JIB ANG. DEG.	JIB POINT ELEV. FEET	LUFFING JIB CAPACITY POUNDS	
40	64.7	151.2	101,800*b																			40
45	60.0	148.6	96,800*b																			45
50	55.2	145.4	93,900*b	61.9	148.9	98,700b																50
55	50.0	141.6	90,000*	57.1	146.0	87,200b	61.0	147.7	85,000b													55
60	44.5	137.0	81,300	52.1	142.4	78,000	56.2	144.7	76,000b	62.7	147.0	72,800b										60
65	38.3	131.3	73,400	46.7	138.1	70,500	51.2	141.0	68,700	58.0	144.1	65,700b										65
70	31.1	124.1	66,800	40.8	132.9	64,200	45.7	136.6	62,500	53.0	140.7	59,900b										70
75	21.9	114.0	60,300*	34.0	126.4	58,800	39.7	131.1	57,300	47.7	136.5	54,900	54.6	139.6	52,400b							75
80	2.0	90.3	41,500*	25.8	117.7	54,200	32.7	124.3	52,800	41.9	131.5	50,600	49.4	135.6	48,300							80
85				13.7	103.7	50,100	24.1	115.1	48,900	35.3	125.2	46,900	43.8	130.9	44,800	50.9	133.9	42,700				85
90							10.2	98.9	45,400	27.4	117.0	43,600	37.5	125.1	41,600	45.4	129.5	39,700				90
95										16.5	104.6	40,600	30.2	117.6	38,900	39.3	124.0	37,100	46.7	127.1	35,300	95
100													20.6	107.1	36,300	32.3	117.1	34,700	40.7	121.9	33,100	100
105																23.6	107.6	32,600	34.0	115.3	31,000	105
110																8.9	90.5	30,500	25.7	106.6	29,200	110
115																			13.6	92.6	27,500	115

80 FT. BOOM, 80 FT. JIB

JIB OPER. RAD. FEET	88 DEGREE BOOM ANGLE			83 DEGREE BOOM ANGLE			80 DEGREE BOOM ANGLE			75 DEGREE BOOM ANGLE			70 DEGREE BOOM ANGLE			65 DEGREE BOOM ANGLE			60 DEGREE BOOM ANGLE			JIB OPER. RAD. FEET
	JIB ANG. DEG.	JIB POINT ELEV. FEET	LUFFING JIB CAPACITY POUNDS	JIB ANG. DEG.	JIB POINT ELEV. FEET	LUFFING JIB CAPACITY POUNDS	JIB ANG. DEG.	JIB POINT ELEV. FEET	LUFFING JIB CAPACITY POUNDS	JIB ANG. DEG.	JIB POINT ELEV. FEET	LUFFING JIB CAPACITY POUNDS	JIB ANG. DEG.	JIB POINT ELEV. FEET	LUFFING JIB CAPACITY POUNDS	JIB ANG. DEG.	JIB POINT ELEV. FEET	LUFFING JIB CAPACITY POUNDS	JIB ANG. DEG.	JIB POINT ELEV. FEET	LUFFING JIB CAPACITY POUNDS	
40	68.0	162.1	95,100*b																			40
45	64.1	159.9	90,200*b																			45
50	60.0	157.2	87,400*b	65.6	160.1	94,600*b																50
55	55.8	154.1	83,400*	61.6	157.6	86,900b	64.9	158.9	84,700b													55
60	51.4	150.4	79,800*	57.5	154.6	77,800	60.9	156.4	75,800b													60
65	46.6	146.1	73,300	53.1	151.2	70,200	56.7	153.3	68,400	62.4	155.6	65,400b										65
70	41.5	140.9	66,700	48.5	147.1	64,000	52.3	149.8	62,300	58.2	152.8	59,500										70
75	35.7	134.6	61,200	43.5	142.3	58,600	47.7	145.6	57,100	53.9	149.4	54,600	55.3	148.3	48,000							75
80	29.0	126.7	56,400	38.0	136.5	54,100	42.6	140.6	52,600	49.3	145.5	50,300	55.3	148.3	48,000							80
85	20.4	115.9	51,100*	31.8	129.3	50,100	37.0	134.6	48,800	44.4	140.8	46,600	50.8	144.5	44,500							85
90	1.8	90.5	35,900*	24.1	119.9	46,600	30.6	127.1	45,400	39.1	135.2	43,300	46.0	140.1	41,300	52.1	142.7	39,400				90
95				12.8	104.9	43,400	22.5	117.1	42,300	33.0	128.3	40,500	40.8	134.8	38,600	47.4	138.5	36,800				95
100							9.5	99.7	39,500	25.6	119.4	37,900	35.0	128.4	36,100	42.3	133.5	34,400				100
105										15.4	106.0	35,500	28.2	120.2	33,900	36.7	127.4	32,300	43.5	131.3	30,700	105
110													19.3	108.9	31,900	30.2	119.8	30,400	38.0	125.5	28,900	110
115																22.0	109.6	28,600	31.7	118.3	27,200	115
120																8.4	91.2	27,000	24.1	108.8	25,700	120
125																			12.7	93.8	24,300	125

S/N: 8885093

MANITOWOC ENGINEERING CO.

Division of the Manitowoc Company, Inc. Manitowoc, Wisconsin 54220



LIFTCRANE LUFFING JIB CAPACITIES

DESIGNED AND TESTED
WITH THE INTENT TO BE
THE SCOPE OF ANSI B30.5

888 SERIES 1

**LUFFING JIB NO. 135 ON BOOM NO. 22EL
144,100 LB. COUNTERWEIGHT
28'2" CRAWLERS EXTENDED
360 DEGREE RATING**

80 FT. BOOM, 90 FT. JIB

JIB OPER. RAD. FEET	88 DEGREE BOOM ANGLE			83 DEGREE BOOM ANGLE			80 DEGREE BOOM ANGLE			75 DEGREE BOOM ANGLE			70 DEGREE BOOM ANGLE			65 DEGREE BOOM ANGLE			60 DEGREE BOOM ANGLE			JIB OPER. RAD. FEET	
	JIB ANG. DEG.	JIB POINT ELEV. FEET	LUFFING JIB CAPACITY POUNDS	JIB ANG. DEG.	JIB POINT ELEV. FEET	LUFFING JIB CAPACITY POUNDS	JIB ANG. DEG.	JIB POINT ELEV. FEET	LUFFING JIB CAPACITY POUNDS	JIB ANG. DEG.	JIB POINT ELEV. FEET	LUFFING JIB CAPACITY POUNDS	JIB ANG. DEG.	JIB POINT ELEV. FEET	LUFFING JIB CAPACITY POUNDS	JIB ANG. DEG.	JIB POINT ELEV. FEET	LUFFING JIB CAPACITY POUNDS	JIB ANG. DEG.	JIB POINT ELEV. FEET	LUFFING JIB CAPACITY POUNDS		
40	70.6	172.8	83,300* ^b																			40	
45	67.1	170.9	79,200* ^b																			45	
50	63.6	168.6	76,800* ^b	68.5	170.9	83,000* ^b																50	
55	60.0	165.9	73,400*	65.0	168.8	79,200* ^b	67.9	169.8	82,300* ^b													55	
60	56.3	162.8	70,300*	61.4	166.3	75,700*	64.4	167.6	75,600 ^b													60	
65	52.4	159.2	67,400*	57.8	163.3	70,100	60.8	165.0	68,200													65	
70	48.2	155.1	64,800*	53.9	159.9	63,800	57.1	162.0	62,100	62.1	164.3	59,300										70	
75	43.8	150.2	61,100	49.9	156.0	58,500	53.2	158.5	56,900	58.4	161.4	54,400										75	
80	39.0	144.6	56,300	45.6	151.5	53,900	49.1	154.5	52,500	54.6	158.1	50,100										80	
85	33.6	137.8	52,200	40.9	146.1	50,000	44.8	149.8	48,600	50.6	154.3	46,400	55.8	157.0	44,200								85
90	27.3	129.3	48,500	35.8	139.8	46,500	40.1	144.4	45,200	46.4	149.9	43,200	51.9	153.3	41,100								90
95	19.3	117.6	44,200*	29.9	132.1	43,400	34.8	137.8	42,300	41.8	144.7	40,300	47.7	149.1	38,400	53.0	151.5	36,500					95
100	1.7	90.6	31,600*	22.7	122.0	40,600	28.8	129.8	39,600	36.7	138.6	37,800	43.3	144.2	36,000	48.9	147.5	34,200					100
105				12.0	106.0	38,100	21.2	119.1	37,100	31.0	131.2	35,500	38.4	138.4	33,800	44.5	142.7	32,100					105
110							9.0	100.5	34,900	24.2	121.6	33,400	32.9	131.4	31,800	39.8	137.2	30,200	45.5	140.4	28,700		110
115										14.5	107.3	31,400	26.5	122.7	30,000	34.5	130.6	28,500	40.9	135.1	27,100		115
120													18.1	110.5	28,300	28.4	122.5	26,900	35.7	128.8	25,600		120
125																20.8	111.5	25,500	29.9	121.0	24,200		125
130																7.9	92.0	24,100	22.7	110.9	22,900		130
135																			11.9	94.9	21,700		135

S/N: 8885093

MANITOWOC ENGINEERING CO.

Division of the Manitowoc Company, Inc. Manitowoc, Wisconsin 54220



LIFTCRANE LUFFING JIB CAPACITIES

DESIGNED AND TESTED
WITH THE INTENT TO BE
THE SCOPE OF ANSI B30.5

888 SERIES 1

**LUFFING JIB NO. 135 ON BOOM NO. 22EL
144,100 LB. COUNTERWEIGHT
28'2" CRAWLERS EXTENDED
360 DEGREE RATING**

80 FT. BOOM, 100 FT. JIB

JIB OPER. RAD. FEET	88 DEGREE BOOM ANGLE			83 DEGREE BOOM ANGLE			80 DEGREE BOOM ANGLE			75 DEGREE BOOM ANGLE			70 DEGREE BOOM ANGLE			65 DEGREE BOOM ANGLE			60 DEGREE BOOM ANGLE			JIB OPER. RAD. FEET
	JIB ANG. DEG.	JIB POINT ELEV. FEET	LUFFING JIB CAPACITY POUNDS	JIB ANG. DEG.	JIB POINT ELEV. FEET	LUFFING JIB CAPACITY POUNDS	JIB ANG. DEG.	JIB POINT ELEV. FEET	LUFFING JIB CAPACITY POUNDS	JIB ANG. DEG.	JIB POINT ELEV. FEET	LUFFING JIB CAPACITY POUNDS	JIB ANG. DEG.	JIB POINT ELEV. FEET	LUFFING JIB CAPACITY POUNDS	JIB ANG. DEG.	JIB POINT ELEV. FEET	LUFFING JIB CAPACITY POUNDS	JIB ANG. DEG.	JIB POINT ELEV. FEET	LUFFING JIB CAPACITY POUNDS	
40	72.6	183.3	77,900* ^b																			40
45	69.5	181.6	75,300* ^b																			45
50	66.4	179.6	71,700* ^b	70.7	181.6	77,400* ^b																50
55	63.3	177.3	68,400*	67.7	179.7	73,800* ^b																55
60	60.0	174.6	65,300*	64.5	177.5	70,400*																60
65	56.7	171.5	62,400*	61.3	174.9	67,300*	64.0	176.3	67,900													65
70	53.2	168.0	59,700*	58.0	172.0	63,500	60.7	173.7	61,800													70
75	49.5	164.0	57,300*	54.5	168.6	58,200	57.4	170.7	56,600	61.9	173.0	54,000										75
80	45.6	159.4	55,100*	50.9	164.8	53,700	53.9	167.3	52,200	58.6	170.1	49,800										80
85	41.4	154.1	52,000	47.1	160.5	49,700	50.3	163.4	48,400	55.2	166.8	46,100										85
90	36.9	148.0	48,400	43.1	155.5	46,300	46.5	158.9	45,000	51.6	163.1	42,900	56.3	165.6	40,800							90
95	31.8	140.7	45,200	38.7	149.8	43,200	42.4	153.8	42,000	47.8	158.9	40,000	52.8	162.1	38,100							95
100	25.9	131.6	42,300	33.9	142.9	40,500	37.9	147.9	39,300	43.8	154.0	37,500	49.1	158.0	35,600							100
105	18.3	119.3	38,400*	28.3	134.7	38,000	33.0	140.9	37,000	39.5	148.4	35,200	45.2	153.4	33,500	50.1	156.3	31,800				105
110	1.6	90.8	27,800*	21.5	123.9	35,800	27.3	132.3	34,800	34.8	141.8	33,100	41.0	148.0	31,500	46.2	151.9	29,900				110
115				11.4	107.0	33,700	20.1	120.9	32,800	29.4	133.9	31,300	36.4	141.8	29,700	42.1	146.7	28,200	47.1	149.5	26,700	115
120							8.5	101.3	31,000	22.9	123.7	29,500	31.2	134.3	28,100	37.7	140.7	26,600	43.1	144.5	25,200	120
125										13.8	108.6	27,900	25.1	125.0	26,600	32.7	133.6	25,200	38.7	138.7	23,900	125
130													17.2	112.1	25,200	26.9	124.9	23,900	33.8	131.9	22,600	130
135																19.7	113.3	22,700	28.3	123.6	21,500	135
140																7.5	92.6	21,500	21.5	112.9	20,400	140
145																			11.3	95.9	19,300	145

S/N: 8885093

MANITOWOC ENGINEERING CO.

Division of the Manitowoc Company, Inc. Manitowoc, Wisconsin 54220



LIFTCRANE LUFFING JIB CAPACITIES

DESIGNED AND TESTED
WITH THE INTENT TO BE
THE SCOPE OF ANSI B30.5

888 SERIES 1

**LUFFING JIB NO. 135 ON BOOM NO. 22EL
144,100 LB. COUNTERWEIGHT
28'2" CRAWLERS EXTENDED
360 DEGREE RATING**

80 FT. BOOM, 110 FT. JIB

JIB OPER. RAD. FEET	88 DEGREE BOOM ANGLE			83 DEGREE BOOM ANGLE			80 DEGREE BOOM ANGLE			75 DEGREE BOOM ANGLE			70 DEGREE BOOM ANGLE			65 DEGREE BOOM ANGLE			60 DEGREE BOOM ANGLE			JIB OPER. RAD. FEET
	JIB ANG. DEG.	JIB POINT ELEV. FEET	LUFFING JIB CAPACI TY POUNDS	JIB ANG. DEG.	JIB POINT ELEV. FEET	LUFFING JIB CAPACI TY POUNDS	JIB ANG. DEG.	JIB POINT ELEV. FEET	LUFFING JIB CAPACI TY POUNDS	JIB ANG. DEG.	JIB POINT ELEV. FEET	LUFFING JIB CAPACI TY POUNDS	JIB ANG. DEG.	JIB POINT ELEV. FEET	LUFFING JIB CAPACI TY POUNDS	JIB ANG. DEG.	JIB POINT ELEV. FEET	LUFFING JIB CAPACI TY POUNDS	JIB ANG. DEG.	JIB POINT ELEV. FEET	LUFFING JIB CAPACI TY POUNDS	
40	74.2	193.8	73,400* ^b																			40
45	71.5	192.2	71,500* ^b																			45
50	68.7	190.4	68,600*																			50
55	65.9	188.3	65,700*	69.8	190.4	70,300*																55
60	63.0	185.9	62,900*	67.0	188.4	67,500*																60
65	60.0	183.2	60,200*	64.1	186.2	64,600*	66.5	187.3	67,000*													65
70	57.0	180.2	57,700*	61.2	183.6	61,900*	63.6	185.0	61,700													70
75	53.8	176.7	55,400*	58.2	180.7	58,200	60.7	182.4	56,600													75
80	50.5	172.8	53,200*	55.0	177.4	53,600	57.6	179.4	52,200	61.7	181.6	49,700										80
85	47.0	168.4	51,200*	51.8	173.6	49,700	54.5	176.0	48,300	58.7	178.8	46,000										85
90	43.4	163.5	48,400	48.4	169.5	46,200	51.2	172.2	45,000	55.6	175.5	42,800										90
95	39.4	157.8	45,200	44.8	164.7	43,200	47.8	167.9	42,000	52.4	171.9	40,000	56.6	174.3	38,000							95
100	35.1	151.2	42,400	41.0	159.4	40,500	44.2	163.1	39,300	49.0	167.8	37,500	53.4	170.8	35,600							100
105	30.3	143.5	39,800	36.9	153.2	38,000	40.3	157.6	37,000	45.5	163.2	35,200	50.1	166.9	33,400							105
110	24.7	133.9	37,500	32.3	145.9	35,800	36.1	151.3	34,800	41.7	157.9	33,100	46.6	162.5	31,500	51.0	165.2	29,900				110
115	17.4	120.9	31,900*	27.0	137.1	33,800	31.4	143.8	32,900	37.6	151.9	31,300	42.9	157.4	29,700	47.6	160.9	28,200				115
120	1.6	90.9	23,100*	20.5	125.8	32,000	26.0	134.6	31,100	33.1	144.9	29,600	39.0	151.7	28,100	44.0	156.0	26,600				120
125				10.9	108.0	29,900*	19.2	122.6	29,400	28.0	136.4	28,000	34.6	145.0	26,600	40.1	150.5	25,200	44.8	153.7	23,900	125
130							8.1	102.0	27,900	21.8	125.6	26,600	29.7	137.0	25,200	35.9	144.1	23,900	41.0	148.4	22,600	130
135										13.1	109.8	25,200	24.0	127.1	24,000	31.1	136.5	22,700	36.8	142.2	21,500	135
140													16.4	113.5	22,800	25.7	127.3	21,600	32.2	134.9	20,400	140
145																18.8	115.0	20,500	27.0	126.1	19,400	145
150																7.1	93.3	19,500	20.5	114.7	18,500	150
155																			10.8	96.8	17,600	155

S/N: 8885093

MANITOWOC ENGINEERING CO.

Division of the Manitowoc Company, Inc. Manitowoc, Wisconsin 54220



LIFTCRANE LUFFING JIB CAPACITIES

DESIGNED AND TESTED
WITH THE INTENT TO BE
THE SCOPE OF ANSI B30.5

888 SERIES 1

LUFFING JIB NO. 135 ON BOOM NO. 22EL
144,100 LB. COUNTERWEIGHT
28'2" CRAWLERS EXTENDED
360 DEGREE RATING

80 FT. BOOM, 120 FT. JIB

JIB OPER. RAD. FEET	88 DEGREE BOOM ANGLE			83 DEGREE BOOM ANGLE			80 DEGREE BOOM ANGLE			75 DEGREE BOOM ANGLE			70 DEGREE BOOM ANGLE			65 DEGREE BOOM ANGLE			60 DEGREE BOOM ANGLE			JIB OPER. RAD. FEET
	JIB ANG. DEG.	JIB POINT ELEV. FEET	LUFFING JIB CAPACITY POUNDS	JIB ANG. DEG.	JIB POINT ELEV. FEET	LUFFING JIB CAPACITY POUNDS	JIB ANG. DEG.	JIB POINT ELEV. FEET	LUFFING JIB CAPACITY POUNDS	JIB ANG. DEG.	JIB POINT ELEV. FEET	LUFFING JIB CAPACITY POUNDS	JIB ANG. DEG.	JIB POINT ELEV. FEET	LUFFING JIB CAPACITY POUNDS	JIB ANG. DEG.	JIB POINT ELEV. FEET	LUFFING JIB CAPACITY POUNDS	JIB ANG. DEG.	JIB POINT ELEV. FEET	LUFFING JIB CAPACITY POUNDS	
40	75.5	204.1	68,000*																			40
45	73.1	202.7	66,300*																			45
50	70.5	201.1	63,400*																			50
55	68.0	199.2	60,700*																			55
60	65.4	197.0	58,200*	69.0	199.2	62,200*																60
65	62.7	194.6	55,800*	66.4	197.2	59,800*																65
70	60.0	191.9	53,500*	63.8	194.9	57,300*	66.0	196.1	59,300*													70
75	57.2	188.8	51,300*	61.1	192.2	55,000*	63.3	193.7	56,300													75
80	54.3	185.4	49,100*	58.3	189.3	52,800*	60.6	191.0	51,900													80
85	51.3	181.6	47,100*	55.5	186.1	49,400	57.8	188.0	48,000	61.6	190.3	45,700										85
90	48.2	177.4	45,200*	52.5	182.4	46,000	55.0	184.7	44,700	58.8	187.4	42,500										90
95	44.9	172.7	43,500*	49.4	178.4	42,900	52.0	181.0	41,700	56.0	184.2	39,700										95
100	41.4	167.4	41,800*	46.2	173.8	40,200	48.9	176.9	39,100	53.1	180.7	37,100	56.9	183.0	35,300							100
105	37.7	161.3	39,600	42.8	168.8	37,800	45.6	172.3	36,700	50.0	176.7	34,900	54.0	179.6	33,100							105
110	33.6	154.3	37,300	39.2	163.0	35,600	42.2	167.1	34,600	46.8	172.3	32,800	51.0	175.7	31,100							110
115	29.0	146.1	35,200	35.2	156.4	33,600	38.5	161.2	32,600	43.4	167.3	31,000	47.9	171.4	29,400	51.8	174.0	27,800				115
120	23.6	136.0	33,100*	30.9	148.7	31,800	34.5	154.4	30,900	39.9	161.7	29,300	44.5	166.7	27,800	48.7	169.8	26,300				120
125	16.7	122.4	28,100*	25.8	139.5	30,100	30.0	146.5	29,200	36.0	155.2	27,800	41.0	161.2	26,300	45.5	165.2	24,900				125
130	1.5	91.1	20,500*	19.6	127.5	28,600	24.8	136.9	27,700	31.7	147.8	26,300	37.2	155.1	25,000	42.0	159.9	23,600				130
135				10.4	108.9	26,500*	18.4	124.3	26,400	26.8	138.8	25,000	33.1	148.0	23,700	38.3	154.0	22,400	46.2	162.8	22,300	135
140							7.8	102.7	25,000	20.9	127.5	23,800	28.4	139.6	22,500	34.3	147.2	21,300	39.2	152.0	20,100	140
145										12.6	110.9	22,600	22.9	129.2	21,500	29.8	139.2	20,300	35.2	145.4	19,100	145
150													15.7	114.9	20,400	24.6	129.5	19,300	30.8	137.7	18,200	150
155																18.0	116.6	18,400	25.8	128.4	17,300	155
160																6.8	93.9	17,500	19.6	116.5	16,500	160
165																			10.3	97.8	15,700	165

S/N: 8885093

MANITOWOC ENGINEERING CO.

Division of the Manitowoc Company, Inc. Manitowoc, Wisconsin 54220



LIFTCRANE LUFFING JIB CAPACITIES

DESIGNED AND TESTED
WITH THE INTENT TO BE
THE SCOPE OF ANSI B30.5

888 SERIES 1

LUFFING JIB NO. 135 ON BOOM NO. 22EL
144,100 LB. COUNTERWEIGHT
28'2" CRAWLERS EXTENDED
360 DEGREE RATING

80 FT. BOOM, 130 FT. JIB

JIB OPER. RAD. FEET	88 DEGREE BOOM ANGLE			83 DEGREE BOOM ANGLE			80 DEGREE BOOM ANGLE			75 DEGREE BOOM ANGLE			70 DEGREE BOOM ANGLE			65 DEGREE BOOM ANGLE			60 DEGREE BOOM ANGLE			JIB OPER. RAD. FEET
	JIB ANG. DEG.	JIB POINT ELEV. FEET	LUFFING JIB CAPACITY POUNDS	JIB ANG. DEG.	JIB POINT ELEV. FEET	LUFFING JIB CAPACITY POUNDS	JIB ANG. DEG.	JIB POINT ELEV. FEET	LUFFING JIB CAPACITY POUNDS	JIB ANG. DEG.	JIB POINT ELEV. FEET	LUFFING JIB CAPACITY POUNDS	JIB ANG. DEG.	JIB POINT ELEV. FEET	LUFFING JIB CAPACITY POUNDS	JIB ANG. DEG.	JIB POINT ELEV. FEET	LUFFING JIB CAPACITY POUNDS	JIB ANG. DEG.	JIB POINT ELEV. FEET	LUFFING JIB CAPACITY POUNDS	
45	74.4	213.2	56,400*																			45
50	72.1	211.6	54,100*																			50
55	69.8	209.9	51,800*																			55
60	67.4	208.0	49,700*	70.7	209.9	52,900*																60
65	65.0	205.8	47,600*	68.3	208.0	50,800*																65
70	62.5	203.3	45,600*	65.9	205.9	48,700*	67.9	206.9	50,300*													70
75	60.0	200.5	43,800*	63.5	203.5	46,800*	65.5	204.8	48,300*													75
80	57.4	197.5	42,000*	61.0	200.9	44,900*	63.1	202.4	46,400*													80
85	54.8	194.2	40,300*	58.5	198.0	43,100*	60.6	199.7	44,600*													85
90	52.0	190.4	38,800*	55.8	194.8	41,400*	58.0	196.7	42,900*	61.5	199.0	42,300										90
95	49.2	186.3	37,200*	53.1	191.2	39,800*	55.4	193.4	41,200*	58.9	196.1	39,400										95
100	46.2	181.8	35,800*	50.3	187.2	38,200*	52.6	189.8	38,800	56.3	192.9	36,900										100
105	43.1	176.7	34,500*	47.4	182.9	36,700*	49.8	185.8	36,500	53.6	189.4	34,600	57.1	191.7	32,800							105
110	39.7	171.1	33,200*	44.3	178.0	35,300*	46.9	181.3	34,400	50.8	185.5	32,600	54.5	188.3	30,900							110
115	36.2	164.6	32,100*	41.1	172.6	33,400	43.8	176.4	32,400	47.9	181.2	30,800	51.7	184.5	29,100							115
120	32.2	157.3	31,000*	37.6	166.5	31,600	40.5	170.8	30,700	44.9	176.5	29,100	48.9	180.4	27,500	52.5	182.7	26,000				120
125	27.8	148.6	30,000*	33.8	159.5	30,000	36.9	164.6	29,100	41.7	171.2	27,600	45.9	175.8	26,100	49.7	178.7	24,600				125
130	22.7	138.0	29,100*	29.6	151.4	28,400	33.1	157.5	27,600	38.2	165.2	26,100	42.7	170.7	24,700	46.7	174.2	23,300				130
135	16.0	123.8	25,100*	24.8	141.7	27,000	28.8	149.1	26,200	34.5	158.4	24,800	39.4	164.9	23,500	43.6	169.3	22,200	47.4	171.9	20,900	135
140	1.4	91.2	18,300*	18.9	129.2	25,700	23.9	139.0	24,900	30.4	150.6	23,600	35.7	158.4	22,300	40.3	163.7	21,100	44.3	167.0	19,800	140
145				10.0	109.8	23,700*	17.6	125.8	23,800	25.7	141.2	22,500	31.8	150.9	21,300	36.8	157.4	20,100	41.0	161.6	18,900	145
150							7.5	103.4	22,600	20.1	129.3	21,500	27.3	142.1	20,300	32.9	150.2	19,100	37.6	155.5	18,000	150
155										12.1	112.0	20,400	22.0	131.2	19,300	28.6	141.8	18,200	33.8	148.5	17,100	155
160													15.1	116.3	18,400	23.6	131.6	17,400	29.6	140.4	16,300	160
165																17.3	118.2	16,600	24.8	130.7	15,600	165
170																6.6	94.5	15,800	18.8	118.2	14,900	170
175																			9.9	98.7	14,200	175

S/N: 8885093

MANITOWOC ENGINEERING CO.

Division of the Manitowoc Company, Inc. Manitowoc, Wisconsin 54220



LIFTCRANE LUFFING JIB CAPACITIES

DESIGNED AND TESTED
WITH THE INTENT TO BE
THE SCOPE OF ANSI B30.5

888 SERIES 1

LUFFING JIB NO. 135 ON BOOM NO. 22EL
144,100 LB. COUNTERWEIGHT
28'2" CRAWLERS EXTENDED
360 DEGREE RATING

80 FT. BOOM, 140 FT. JIB

JIB OPER. RAD. FEET	88 DEGREE BOOM ANGLE			83 DEGREE BOOM ANGLE			80 DEGREE BOOM ANGLE			75 DEGREE BOOM ANGLE			70 DEGREE BOOM ANGLE			65 DEGREE BOOM ANGLE			60 DEGREE BOOM ANGLE			JIB OPER. RAD. FEET
	JIB ANG. DEG.	JIB POINT ELEV. FEET	LUFFING JIB CAPACITY POUNDS	JIB ANG. DEG.	JIB POINT ELEV. FEET	LUFFING JIB CAPACITY POUNDS	JIB ANG. DEG.	JIB POINT ELEV. FEET	LUFFING JIB CAPACITY POUNDS	JIB ANG. DEG.	JIB POINT ELEV. FEET	LUFFING JIB CAPACITY POUNDS	JIB ANG. DEG.	JIB POINT ELEV. FEET	LUFFING JIB CAPACITY POUNDS	JIB ANG. DEG.	JIB POINT ELEV. FEET	LUFFING JIB CAPACITY POUNDS	JIB ANG. DEG.	JIB POINT ELEV. FEET	LUFFING JIB CAPACITY POUNDS	
45	75.5	223.5	52,200*																			45
50	73.4	222.1	50,000*																			50
55	71.3	220.5	47,900*																			55
60	69.1	218.7	45,900*																			60
65	66.9	216.7	43,900*	69.9	218.7	46,800*																65
70	64.6	214.5	42,100*	67.7	216.8	44,900*																70
75	62.4	212.0	40,300*	65.5	214.6	43,100*	67.4	215.7	44,400*													75
80	60.0	209.2	38,600*	63.2	212.2	41,300*	65.1	213.5	42,700*													80
85	57.6	206.2	36,900*	60.9	209.6	39,500*	62.8	211.0	40,900*													85
90	55.2	202.9	35,400*	58.6	206.6	37,900*	60.5	208.3	39,300*													90
95	52.6	199.2	33,900*	56.1	203.4	36,300*	58.1	205.4	37,700*	61.4	207.6	39,100										95
100	50.0	195.2	32,500*	53.6	199.9	34,800*	55.7	202.1	36,100*	59.0	204.8	36,600										100
105	47.3	190.8	31,200*	51.0	196.1	33,400*	53.2	198.5	34,600*	56.6	201.6	34,300										105
110	44.4	186.0	29,900*	48.4	191.8	32,000*	50.6	194.6	33,200*	54.1	198.1	32,300	57.4	200.4	30,600							110
115	41.4	180.6	28,700*	45.6	187.2	30,700*	47.9	190.3	31,900*	51.5	194.4	30,500	54.9	197.0	28,800							115
120	38.2	174.6	27,600*	42.6	182.0	29,500*	45.1	185.6	30,400	48.9	190.2	28,800	52.3	193.3	27,200							120
125	34.8	167.8	26,500*	39.5	176.3	28,300*	42.1	180.3	28,800	46.1	185.6	27,300	49.7	189.3	25,700							125
130	31.0	160.1	25,500*	36.2	169.8	27,200*	38.9	174.5	27,300	43.2	180.5	25,900	47.0	184.8	24,400	50.4	187.6	23,000				130
135	26.8	151.1	24,600*	32.5	162.5	26,200*	35.6	167.9	26,000	40.1	174.9	24,600	44.1	179.9	23,200	47.7	183.2	21,800				135
140	21.8	140.0	23,800*	28.5	154.0	25,200*	31.9	160.4	24,700	36.8	168.6	23,400	41.1	174.5	22,000	44.9	178.5	20,700				140
145	15.4	125.2	22,200*	23.9	143.9	24,300	27.8	151.7	23,500	33.2	161.5	22,200	37.9	168.4	21,000	41.9	173.2	19,700	45.5	176.2	18,500	145
150	1.4	91.3	16,200*	18.2	130.9	23,200	23.0	141.1	22,400	29.3	153.2	21,200	34.4	161.6	20,000	38.8	167.3	18,800	42.6	171.0	17,600	150
155				9.7	110.7	21,100*	17.0	127.4	21,400	24.8	143.4	20,200	30.6	153.7	19,100	35.4	160.7	17,900	39.5	165.2	16,800	155
160							7.2	104.0	20,400	19.3	131.1	19,300	26.3	144.5	18,200	31.7	153.1	17,100	36.1	158.8	16,000	160
165										11.6	113.0	18,400	21.2	133.1	17,400	27.5	144.3	16,300	32.5	151.5	15,300	165
170													14.5	117.6	16,600	22.7	133.7	15,600	28.5	143.0	14,600	170
175																16.6	119.7	14,900	23.8	132.8	13,900	175
180																6.3	95.0	14,200	18.1	119.8	13,300	180
185																			9.6	99.5	12,700	185

S/N: 8885093

MANITOWOC ENGINEERING CO.

Division of the Manitowoc Company, Inc. Manitowoc, Wisconsin 54220



LIFTCRANE LUFFING JIB CAPACITIES

DESIGNED AND TESTED
WITH THE INTENT TO BE
THE SCOPE OF ANSI B30.5

888 SERIES 1

LUFFING JIB NO. 135 ON BOOM NO. 22EL
144,100 LB. COUNTERWEIGHT
28'2" CRAWLERS EXTENDED
360 DEGREE RATING

80 FT. BOOM, 150 FT. JIB

JIB OPER. RAD. FEET	88 DEGREE BOOM ANGLE			83 DEGREE BOOM ANGLE			80 DEGREE BOOM ANGLE			75 DEGREE BOOM ANGLE			70 DEGREE BOOM ANGLE			65 DEGREE BOOM ANGLE			60 DEGREE BOOM ANGLE			JIB OPER. RAD. FEET
	JIB ANG. DEG.	JIB POINT ELEV. FEET	LUFFING JIB CAPACITY POUNDS	JIB ANG. DEG.	JIB POINT ELEV. FEET	LUFFING JIB CAPACITY POUNDS	JIB ANG. DEG.	JIB POINT ELEV. FEET	LUFFING JIB CAPACITY POUNDS	JIB ANG. DEG.	JIB POINT ELEV. FEET	LUFFING JIB CAPACITY POUNDS	JIB ANG. DEG.	JIB POINT ELEV. FEET	LUFFING JIB CAPACITY POUNDS	JIB ANG. DEG.	JIB POINT ELEV. FEET	LUFFING JIB CAPACITY POUNDS	JIB ANG. DEG.	JIB POINT ELEV. FEET	LUFFING JIB CAPACITY POUNDS	
50	74.6	232.5	46,400*																			50
55	72.6	231.0	44,400*																			55
60	70.5	229.4	42,500*																			60
65	68.5	227.5	40,700*																			65
70	66.4	225.4	38,900*	69.3	227.5	41,500*																70
75	64.3	223.1	37,200*	67.2	225.5	39,800*																75
80	62.2	220.6	35,600*	65.2	223.3	38,100*	66.9	224.4	39,400*													80
85	60.0	217.9	34,000*	63.0	220.9	36,500*	64.8	222.2	37,800*													85
90	57.8	214.9	32,500*	60.9	218.2	34,900*	62.7	219.7	36,200*													90
95	55.5	211.6	31,100*	58.7	215.3	33,400*	60.5	217.0	34,700*													95
100	53.1	208.0	29,800*	56.4	212.1	31,900*	58.3	214.0	33,200*	61.3	216.3	35,000*										100
105	50.7	204.1	28,500*	54.1	208.7	30,500*	56.0	210.8	31,800*	59.1	213.4	33,600*										105
110	48.2	199.8	27,200*	51.7	204.9	29,200*	53.7	207.3	30,400*	56.8	210.3	32,200*										110
115	45.6	195.1	26,100*	49.2	200.7	28,000*	51.2	203.4	29,100*	54.5	206.9	30,400										115
120	42.9	190.0	24,900*	46.6	196.2	26,700*	48.8	199.2	27,800*	52.1	203.1	28,700	57.5	209.0	28,700							120
125	40.0	184.3	23,900*	43.9	191.3	25,600*	46.2	194.7	26,600*	49.6	199.1	27,200	52.9	202.1	25,600							125
130	36.9	178.0	22,900*	41.1	185.8	24,500*	43.5	189.6	25,500*	47.1	194.6	25,800	50.4	198.1	24,300							130
135	33.6	170.9	21,900*	38.1	179.8	23,500*	40.6	184.1	24,400*	44.4	189.8	24,500	47.9	193.8	23,100	51.1	196.4	21,700				135
140	30.0	162.8	21,100*	34.9	173.0	22,500*	37.6	177.9	23,400*	41.6	184.4	23,300	45.3	189.1	21,900	48.6	192.2	20,600				140
145	25.9	153.4	20,200*	31.4	165.4	21,600*	34.3	171.0	22,400*	38.7	178.5	22,200	42.5	183.9	20,900	46.0	187.6	19,600				145
150	21.1	141.9	19,500*	27.5	156.5	20,700*	30.8	163.2	21,500*	35.5	171.9	21,100	39.6	178.2	19,900	43.3	182.5	18,700	46.6	185.2	17,500	150
155	14.9	126.5	18,900*	23.1	145.9	19,900*	26.8	154.1	20,700*	32.1	164.4	20,200	36.5	171.8	19,000	40.4	176.9	17,800	43.9	180.3	16,700	155
160	1.3	91.4	14,500*	17.6	132.4	19,200*	22.2	143.1	19,900*	28.3	155.8	19,300	33.2	164.6	18,100	37.4	170.7	17,000	41.1	174.8	15,900	160
165				9.3	111.5	18,800*	16.4	128.8	19,200*	23.9	145.6	18,400	29.5	156.4	17,300	34.1	163.8	16,200	38.1	168.8	15,200	165
170							7.0	104.7	18,600	18.7	132.7	17,600	25.4	146.8	16,600	30.6	155.9	15,500	34.9	162.0	14,500	170
175										11.2	114.0	16,800			15,800	26.6	146.7	14,800	31.4	154.3	13,900	175
180													14.0		15,100	21.9	135.6	14,200	27.5	145.5	13,200	180
185																16.1	121.1	13,600	23.0	134.9	12,700	185
190																6.1	95.6	12,900	17.5	121.4	12,100	190
195																			9.2	100.3	11,500	195

S/N: 8885093

MANITOWOC ENGINEERING CO.

Division of the Manitowoc Company, Inc. Manitowoc, Wisconsin 54220



LIFTCRANE LUFFING JIB CAPACITIES

DESIGNED AND TESTED
WITH THE INTENT TO BE
THE SCOPE OF ANSI B30.5

888 SERIES 1

LUFFING JIB NO. 135 ON BOOM NO. 22EL
144,100 LB. COUNTERWEIGHT
28'2" CRAWLERS EXTENDED
360 DEGREE RATING

80 FT. BOOM, 160 FT. JIB

JIB OPER. RAD. FEET	88 DEGREE BOOM ANGLE			83 DEGREE BOOM ANGLE			80 DEGREE BOOM ANGLE			75 DEGREE BOOM ANGLE			70 DEGREE BOOM ANGLE			65 DEGREE BOOM ANGLE			60 DEGREE BOOM ANGLE			JIB OPER. RAD. FEET
	JIB ANG. DEG.	JIB POINT ELEV. FEET	LUFFING JIB CAPACITY POUNDS	JIB ANG. DEG.	JIB POINT ELEV. FEET	LUFFING JIB CAPACITY POUNDS	JIB ANG. DEG.	JIB POINT ELEV. FEET	LUFFING JIB CAPACITY POUNDS	JIB ANG. DEG.	JIB POINT ELEV. FEET	LUFFING JIB CAPACITY POUNDS	JIB ANG. DEG.	JIB POINT ELEV. FEET	LUFFING JIB CAPACITY POUNDS	JIB ANG. DEG.	JIB POINT ELEV. FEET	LUFFING JIB CAPACITY POUNDS	JIB ANG. DEG.	JIB POINT ELEV. FEET	LUFFING JIB CAPACITY POUNDS	
50	75.5	242.9	42,700*																			50
55	73.7	241.5	40,900*																			55
60	71.8	239.9	39,100*																			60
65	69.9	238.2	37,300*																			65
70	68.0	236.3	35,700*	70.6	238.2	38,100*																70
75	66.0	234.2	34,000*	68.7	236.3	36,400*																75
80	64.1	231.8	32,500*	66.8	234.3	34,800*																80
85	62.1	229.3	31,000*	64.8	232.0	33,300*	66.5	233.2	34,400*													85
90	60.0	226.5	29,500*	62.8	229.6	31,700*	64.5	230.9	32,900*													90
95	57.9	223.5	28,100*	60.8	226.9	30,300*	62.5	228.4	31,500*													95
100	55.8	220.3	26,800*	58.7	224.0	28,900*	60.5	225.7	30,000*													100
105	53.6	216.7	25,600*	56.6	220.8	27,500*	58.4	222.7	28,700*	61.2	224.9	30,300*										105
110	51.3	212.9	24,300*	54.5	217.4	26,200*	56.2	219.5	27,400*	59.1	222.1	29,000*										110
115	49.0	208.7	23,200*	52.2	213.7	25,000*	54.1	216.0	26,100*	57.0	219.0	27,800*										115
120	46.6	204.2	22,100*	49.9	209.6	23,800*	51.8	212.2	24,900*	54.8	215.6	26,500*	57.7	217.7	26,800							120
125	44.1	199.2	21,100*	47.5	205.2	22,700*	49.5	208.1	23,700*	52.6	211.9	25,300*	55.5	214.4	25,300							125
130	41.4	193.8	20,100*	45.1	200.5	21,600*	47.1	203.7	22,600*	50.3	207.9	24,100*	53.3	210.8	24,000							130
135	38.6	187.9	19,100*	42.5	195.2	20,600*	44.6	198.8	21,500*	48.0	203.6	23,000*	51.1	207.0	22,800							135
140	35.7	181.3	18,200*	39.7	189.5	19,600*	42.0	193.5	20,500*	45.5	198.9	22,000*	48.7	202.7	21,600	51.7	205.2	20,300				140
145	32.5	173.9	17,400*	36.9	183.2	18,700*	39.3	187.7	19,600*	42.9	193.8	20,900*	46.3	198.2	20,600	49.4	201.1	19,300				145
150	29.0	165.5	16,600*	33.8	176.1	17,900*	36.3	181.3	18,600*	40.2	188.1	20,000*	43.8	193.2	19,600	47.0	196.6	18,400				150
155	25.0	155.7	15,900*	30.4	168.1	17,000*	33.2	174.1	17,800*	37.4	181.9	19,000*	41.1	187.7	18,700	44.5	191.7	17,500	47.5	194.2	16,400	155
160	20.4	143.7	15,200*	26.6	158.9	16,300*	29.8	165.9	17,000*	34.3	175.0	18,200*	38.3	181.7	17,800	41.9	186.4	16,700	45.0	189.4	15,600	160
165	14.4	127.8	14,600*	22.3	148.0	15,600*	25.9	156.4	16,200*	31.0	167.2	17,300*	35.3	175.0	17,000	39.1	180.6	15,900	42.5	184.2	14,900	165
170	1.3	91.5	12,900*	17.0	134.0	14,900*	21.5	145.0	15,500*	27.3	158.3	16,600*	32.1	167.5	16,300	36.2	174.1	15,200	39.7	178.5	14,200	170
175				9.0	112.3	14,400*	15.9	130.2	14,900*	23.1	147.7	15,800*	28.6	159.0	15,600	33.0	166.8	14,500	36.8	172.2	13,500	175
180							6.7	105.3	14,300*	18.1	134.4	15,200*	24.6	149.0	14,900	29.6	158.6	13,900	33.7	165.1	12,900	180
185										10.9	115.0	14,600*	19.8	136.7	14,200	25.7	149.1	13,300	30.4	157.1	12,400	185
190													13.6	120.1	13,600	21.2	137.5	12,700	26.6	147.9	11,800	190
195																15.5	122.5	12,200	22.3	136.9	11,300	195
200																5.9	96.1	11,600	16.9	122.9	10,800	200
205																			9.0	101.1	10,300	205

S/N: 8885093

MANITOWOC ENGINEERING CO.

Division of the Manitowoc Company, Inc. Manitowoc, Wisconsin 54220



LIFTCRANE LUFFING JIB CAPACITIES

DESIGNED AND TESTED
WITH THE INTENT TO BE
THE SCOPE OF ANSI B30.5

888 SERIES 1

LUFFING JIB NO. 135 ON BOOM NO. 22EL
144,100 LB. COUNTERWEIGHT
28'2" CRAWLERS EXTENDED
360 DEGREE RATING

80 FT. BOOM, 170 FT. JIB

JIB OPER. RAD. FEET	88 DEGREE BOOM ANGLE			83 DEGREE BOOM ANGLE			80 DEGREE BOOM ANGLE			75 DEGREE BOOM ANGLE			70 DEGREE BOOM ANGLE			65 DEGREE BOOM ANGLE			60 DEGREE BOOM ANGLE			JIB OPER. RAD. FEET		
	JIB ANG. DEG.	JIB POINT ELEV. FEET	LUFFING JIB CAPACITY POUNDS	JIB ANG. DEG.	JIB POINT ELEV. FEET	LUFFING JIB CAPACITY POUNDS	JIB ANG. DEG.	JIB POINT ELEV. FEET	LUFFING JIB CAPACITY POUNDS	JIB ANG. DEG.	JIB POINT ELEV. FEET	LUFFING JIB CAPACITY POUNDS	JIB ANG. DEG.	JIB POINT ELEV. FEET	LUFFING JIB CAPACITY POUNDS	JIB ANG. DEG.	JIB POINT ELEV. FEET	LUFFING JIB CAPACITY POUNDS	JIB ANG. DEG.	JIB POINT ELEV. FEET	LUFFING JIB CAPACITY POUNDS			
55	74.7	251.9	37,800*																			55		
60	72.9	250.4	36,200*																			60		
65	71.1	248.8	34,500*																			65		
70	69.3	247.0	32,900*																			70		
75	67.5	245.0	31,400*	70.0	247.0	33,600*																75		
80	65.7	242.9	29,900*	68.2	245.1	32,100*																80		
85	63.8	240.5	28,500*	66.4	243.0	30,600*	67.9	244.0	31,700*													85		
90	61.9	238.0	27,100*	64.6	240.7	29,200*	66.1	241.9	30,300*													90		
95	60.0	235.2	25,800*	62.7	238.2	27,800*	64.2	239.6	28,900*													95		
100	58.1	232.2	24,500*	60.8	235.6	26,400*	62.3	237.0	27,500*													100		
105	56.0	228.9	23,300*	58.8	232.6	25,200*	60.4	234.3	26,200*	63.0	236.3	27,700*										105		
110	54.0	225.4	22,100*	56.8	229.5	23,900*	58.5	231.4	25,000*	61.1	233.6	26,500*										110		
115	51.9	221.7	21,000*	54.8	226.1	22,700*	56.5	228.2	23,700*	59.2	230.7	25,300*										115		
120	49.7	217.6	20,000*	52.7	222.4	21,600*	54.4	224.7	22,600*	57.2	227.6	24,100*										120		
125	47.5	213.2	18,900*	50.6	218.5	20,500*	52.3	221.0	21,500*	55.2	224.3	22,900*	57.8	226.4	24,200*							125		
130	45.1	208.4	18,000*	48.3	214.2	19,500*	50.2	217.0	20,400*	53.1	220.7	21,800*	55.8	223.1	23,100*							130		
135	42.7	203.2	17,100*	46.0	209.6	18,500*	47.9	212.7	19,400*	50.9	216.8	20,800*	53.7	219.6	22,100*							135		
140	40.1	197.5	16,200*	43.6	204.5	17,600*	45.6	208.0	18,400*	48.7	212.5	19,700*	51.6	215.8	21,000*							140		
145	37.5	191.3	15,400*	41.1	199.1	16,700*	43.2	202.9	17,500*	46.5	208.0	18,800*	49.4	211.6	20,000*	52.2	214.0	19,000				145		
150	34.6	184.4	14,600*	38.5	193.1	15,800*	40.7	197.3	16,600*	44.1	203.0	17,800*	47.2	207.2	19,000*	50.1	210.0	18,100				150		
155	31.5	176.7	13,800*	35.7	186.5	15,000*	38.0	191.2	15,700*	41.6	197.6	16,900*	44.8	202.4	18,100*	47.8	205.6	17,200				155		
160	28.1	168.0	13,100*	32.7	179.1	14,200*	35.2	184.5	14,900*	39.0	191.7	16,100*	42.4	197.1	17,200*	45.5	200.9	16,400				160		
165	24.3	157.9	12,400*	29.5	170.8	13,500*	32.2	177.0	14,200*	36.2	185.2	15,300*	39.8	191.4	16,400*	43.1	195.8	15,700	46.0	198.6	14,600	165		
170	19.8	145.5	11,600*	25.8	161.3	12,800*	28.9	168.5	13,400*	33.3	178.0	14,500*	37.1	185.1	15,500*	40.6	190.2	15,000	43.6	193.5	13,900	170		
175	14.0	129.0	10,800*	21.6	149.9	11,900*	25.1	158.7	12,600*	30.1	169.9	13,700*	34.2	178.1	14,800*	37.9	184.0	14,300	41.1	188.0	13,300	175		
180				16.5	135.4	11,100*	20.8	146.9	11,800*	26.5	160.7	13,000*	31.1	170.4	14,000*	35.1	177.3	13,700	38.5	182.0	12,700	180		
185				8.8	113.1	10,400*	15.4	131.6	11,000*	15.4	149.7	12,100*	27.7	161.5	13,300*	32.0	169.7	13,100	35.7	175.4	12,100	185		
190							6.5	105.8	10,300*	17.5	135.9	11,300*	23.8	151.1	12,400*	28.7	161.2	12,500	32.7	168.1	11,600	190		
195										19.2	138.4	11,600*	19.2	138.4	11,600*	24.9	151.3	12,000	29.4	159.8	11,100	195		
200										10.6	115.9	10,500*	10.6	115.9	10,500*	13.2	121.2	10,800*	20.6	139.4	11,400	200		
205																			15.1	123.8	10,900	205		
210																			5.7	96.6	10,300*	210		
215																					8.7	101.9	9,200	215

S/N: 8885093

MANITOWOC ENGINEERING CO.

Division of the Manitowoc Company, Inc. Manitowoc, Wisconsin 54220



LIFTCRANE LUFFING JIB CAPACITIES

DESIGNED AND TESTED WITH THE INTENT TO BE WITHIN THE SCOPE OF ANSI B30.5

888 SERIES 1

**LUFFING JIB NO. 135 ON BOOM NO. 22EL
144,100 LB. COUNTERWEIGHT
28'2" CRAWLERS EXTENDED
360 DEGREE RATING**

90 FT. BOOM, 70 FT. JIB

JIB OPER. RAD. FEET	88 DEGREE BOOM ANGLE			83 DEGREE BOOM ANGLE			80 DEGREE BOOM ANGLE			75 DEGREE BOOM ANGLE			70 DEGREE BOOM ANGLE			65 DEGREE BOOM ANGLE			60 DEGREE BOOM ANGLE			JIB OPER. RAD. FEET
	JIB ANG. DEG.	JIB POINT ELEV. FEET	LUFFING JIB CAPACITY POUNDS	JIB ANG. DEG.	JIB POINT ELEV. FEET	LUFFING JIB CAPACITY POUNDS	JIB ANG. DEG.	JIB POINT ELEV. FEET	LUFFING JIB CAPACITY POUNDS	JIB ANG. DEG.	JIB POINT ELEV. FEET	LUFFING JIB CAPACITY POUNDS	JIB ANG. DEG.	JIB POINT ELEV. FEET	LUFFING JIB CAPACITY POUNDS	JIB ANG. DEG.	JIB POINT ELEV. FEET	LUFFING JIB CAPACITY POUNDS	JIB ANG. DEG.	JIB POINT ELEV. FEET	LUFFING JIB CAPACITY POUNDS	
45	60.4	158.8	96,900* ^b																			45
50	55.5	155.7	94,000* ^b	63.0	159.5	98,300b																50
55	50.4	151.9	90,200*	58.3	156.7	86,800b	62.7	158.5	84,300b													55
60	44.9	147.3	81,400	53.3	153.3	77,700b	57.9	155.6	75,400b													60
65	38.7	141.7	73,600	48.0	149.2	70,200	53.0	152.2	68,100b	60.4	155.3	64,700b										65
70	31.6	134.6	67,000	42.3	144.2	63,900	47.7	148.0	62,000	55.6	152.2	59,000b										70
75	22.6	124.9	61,300	35.8	138.0	58,600	41.8	143.0	56,900	50.5	148.4	54,000	58.0	151.2	51,200b							75
80	6.0	105.3	46,300*	28.0	130.0	54,000	35.3	136.7	52,400	45.0	143.9	49,800	53.0	147.8	47,200							80
85				17.4	118.1	49,900	27.4	128.5	48,500	38.8	138.3	46,100	47.7	143.7	43,700							85
90							16.4	116.1	45,100	31.7	131.2	42,900	41.9	138.6	40,700	50.1	142.4	38,500				90
95										22.8	121.5	40,000	35.3	132.4	38,000	44.5	137.8	35,900				95
100										6.6	102.5	37,300	27.5	124.2	35,500	38.3	132.1	33,600	46.7	135.8	31,700	100
105													16.5	111.8	33,300	31.1	124.9	31,600	40.7	130.6	29,800	105
110																22.0	114.9	29,700	34.0	124.0	28,000	110
115																2.6	91.9	27,800	25.7	115.3	26,400	115
120																			13.6	101.3	24,900	120

90 FT. BOOM, 80 FT. JIB

JIB OPER. RAD. FEET	88 DEGREE BOOM ANGLE			83 DEGREE BOOM ANGLE			80 DEGREE BOOM ANGLE			75 DEGREE BOOM ANGLE			70 DEGREE BOOM ANGLE			65 DEGREE BOOM ANGLE			60 DEGREE BOOM ANGLE			JIB OPER. RAD. FEET
	JIB ANG. DEG.	JIB POINT ELEV. FEET	LUFFING JIB CAPACITY POUNDS	JIB ANG. DEG.	JIB POINT ELEV. FEET	LUFFING JIB CAPACITY POUNDS	JIB ANG. DEG.	JIB POINT ELEV. FEET	LUFFING JIB CAPACITY POUNDS	JIB ANG. DEG.	JIB POINT ELEV. FEET	LUFFING JIB CAPACITY POUNDS	JIB ANG. DEG.	JIB POINT ELEV. FEET	LUFFING JIB CAPACITY POUNDS	JIB ANG. DEG.	JIB POINT ELEV. FEET	LUFFING JIB CAPACITY POUNDS	JIB ANG. DEG.	JIB POINT ELEV. FEET	LUFFING JIB CAPACITY POUNDS	
40	68.3	172.3	95,000* ^b																			40
45	64.4	170.1	90,300* ^b																			45
50	60.3	167.4	87,500* ^b	66.6	170.5	95,500* ^b																50
55	56.1	164.3	83,600*	62.6	168.2	86,600b	66.3	169.6	84,000b													55
60	51.7	160.7	80,000*	58.5	165.3	77,400b	62.3	167.2	75,100b													60
65	47.0	156.4	73,400	54.2	162.0	69,900	58.2	164.3	67,800													65
70	41.8	151.3	66,900	49.6	158.1	63,700	53.9	160.9	61,800	60.4	164.0	58,600b										70
75	36.1	145.1	61,300	44.8	153.5	58,400	49.3	157.0	56,600	56.2	160.9	53,700										75
80	29.5	137.4	56,500	39.4	147.9	53,800	44.4	152.3	52,200	51.7	157.2	49,500										80
85	21.2	126.8	52,300	33.4	141.1	49,900	39.0	146.7	48,400	47.0	153.0	45,900	53.9	156.5	43,400							85
90	5.7	105.8	40,100*	26.2	132.4	46,400	32.9	139.8	45,000	41.9	147.9	42,700	49.4	152.6	40,400							90
95				16.3	119.5	43,200	25.6	130.9	42,000	36.2	141.7	39,800	44.5	147.9	37,700	51.4	151.2	35,600				95
100							15.3	117.5	39,300	29.6	134.0	37,300	39.1	142.3	35,300	46.6	146.9	33,300				100
105										21.3	123.5	35,000	33.0	135.4	33,100	41.5	141.7	31,200				105
110										6.2	103.1	32,800	25.7	126.5	31,100	35.8	135.4	29,400	43.5	139.9	27,700	110
115													15.5	113.2	29,300	29.1	127.6	27,700	38.0	134.1	26,100	115
120																20.5	116.7	26,100	31.7	126.9	24,600	120
125																2.5	92.1	24,600	24.1	117.5	23,300	125
130																			12.7	102.4	22,000	130

S/N: 8885093

MANITOWOC ENGINEERING CO.

Division of the Manitowoc Company, Inc. Manitowoc, Wisconsin 54220



LIFTCRANE LUFFING JIB CAPACITIES

DESIGNED AND TESTED
WITH THE INTENT TO BE
THE SCOPE OF ANSI B30.5

888 SERIES 1

**LUFFING JIB NO. 135 ON BOOM NO. 22EL
144,100 LB. COUNTERWEIGHT
28'2" CRAWLERS EXTENDED
360 DEGREE RATING**

90 FT. BOOM, 90 FT. JIB

JIB OPER. RAD. FEET	88 DEGREE BOOM ANGLE			83 DEGREE BOOM ANGLE			80 DEGREE BOOM ANGLE			75 DEGREE BOOM ANGLE			70 DEGREE BOOM ANGLE			65 DEGREE BOOM ANGLE			60 DEGREE BOOM ANGLE			JIB OPER. RAD. FEET
	JIB ANG. DEG.	JIB POINT ELEV. FEET	LUFFING JIB CAPACITY POUNDS	JIB ANG. DEG.	JIB POINT ELEV. FEET	LUFFING JIB CAPACITY POUNDS	JIB ANG. DEG.	JIB POINT ELEV. FEET	LUFFING JIB CAPACITY POUNDS	JIB ANG. DEG.	JIB POINT ELEV. FEET	LUFFING JIB CAPACITY POUNDS	JIB ANG. DEG.	JIB POINT ELEV. FEET	LUFFING JIB CAPACITY POUNDS	JIB ANG. DEG.	JIB POINT ELEV. FEET	LUFFING JIB CAPACITY POUNDS	JIB ANG. DEG.	JIB POINT ELEV. FEET	LUFFING JIB CAPACITY POUNDS	
40	70.8	182.9	83,200*b																			40
45	67.4	181.0	79,200*b																			45
50	63.9	178.8	76,900*b	69.3	181.3	83,600*b																50
55	60.3	176.1	73,500*	65.9	179.3	79,900*b																55
60	56.5	173.0	70,400*	62.3	176.8	76,400*																60
65	52.6	169.5	67,500*	58.7	174.0	69,800	65.6	178.3	74,900b													65
70	48.5	165.4	64,900*	54.9	170.7	63,500	62.1	175.8	67,600													70
75	44.1	160.6	61,200	50.9	166.9	58,200	58.4	173.0	61,600													75
80	39.3	155.0	56,400	46.6	162.6	53,700	54.6	169.7	56,400	60.3	172.6	53,500										80
85	34.0	148.3	52,300	42.1	157.4	49,700	50.6	165.8	52,000	56.6	169.6	49,300										85
				46.3	161.4	48,200	52.7	166.0	45,700													
90	27.8	139.9	48,600	37.1	151.4	46,300	41.7	156.2	44,900	48.6	161.9	42,500	54.6	165.3	40,100							90
95	19.9	128.6	45,400	31.4	144.0	43,200	36.7	150.1	41,900	44.2	157.2	39,700	50.6	161.4	37,500							95
100	5.3	106.3	35,200*	24.6	134.7	40,500	31.0	142.6	39,200	39.4	151.6	37,100	46.4	157.0	35,100	52.4	160.0	33,100				100
105				15.3	120.9	38,000	24.1	133.1	36,800	34.1	144.9	34,900	41.8	151.8	32,900	48.3	155.8	31,000				105
110							14.4	118.8	34,600	27.9	136.5	32,800	36.8	145.7	31,000	43.8	151.0	29,200				110
115										20.1	125.3	31,000	31.1	138.3	29,200	39.0	145.3	27,500	45.5	149.1	25,900	115
120										5.8	103.6	29,200	24.2	128.7	27,600	33.6	138.5	26,000	40.9	143.8	24,500	120
125													14.6	114.5	26,100	27.4	130.1	24,600	35.7	137.5	23,100	125
130																19.3	118.5	23,300	29.9	129.7	21,900	130
135																2.3	92.4	22,000	22.7	119.6	20,800	135
140																			11.9	103.5	19,700	140

S/N: 8885093

MANITOWOC ENGINEERING CO.

Division of the Manitowoc Company, Inc. Manitowoc, Wisconsin 54220



LIFTCRANE LUFFING JIB CAPACITIES

DESIGNED AND TESTED
WITH THE INTENT TO BE
THE SCOPE OF ANSI B30.5

888 SERIES 1

**LUFFING JIB NO. 135 ON BOOM NO. 22EL
144,100 LB. COUNTERWEIGHT
28'2" CRAWLERS EXTENDED
360 DEGREE RATING**

90 FT. BOOM, 100 FT. JIB

JIB OPER. RAD. FEET	88 DEGREE BOOM ANGLE			83 DEGREE BOOM ANGLE			80 DEGREE BOOM ANGLE			75 DEGREE BOOM ANGLE			70 DEGREE BOOM ANGLE			65 DEGREE BOOM ANGLE			60 DEGREE BOOM ANGLE			JIB OPER. RAD. FEET
	JIB ANG. DEG.	POINT ELEV. FEET	LUFFING JIB CAPACI TY POUNDS	JIB ANG. DEG.	POINT ELEV. FEET	LUFFING JIB CAPACI TY POUNDS	JIB ANG. DEG.	POINT ELEV. FEET	LUFFING JIB CAPACI TY POUNDS	JIB ANG. DEG.	POINT ELEV. FEET	LUFFING JIB CAPACI TY POUNDS	JIB ANG. DEG.	POINT ELEV. FEET	LUFFING JIB CAPACI TY POUNDS	JIB ANG. DEG.	POINT ELEV. FEET	LUFFING JIB CAPACI TY POUNDS	JIB ANG. DEG.	POINT ELEV. FEET	LUFFING JIB CAPACI TY POUNDS	
40	72.8	193.5	77,800* ^b																			40
45	69.8	191.8	75,200* ^b																			45
50	66.7	189.8	71,700*																			50
55	63.5	187.4	68,400*	68.4	190.1	74,400* ^b																55
60	60.3	184.8	65,400*	65.3	188.0	71,100*																60
65	56.9	181.7	62,500*	62.1	185.5	68,000*	65.1	187.0	67,300													65
70	53.4	178.2	59,900*	58.8	182.7	63,200	61.9	184.5	61,300													70
75	49.8	174.3	57,500*	55.4	179.4	58,000	58.6	181.6	56,100													75
80	45.9	169.7	55,200*	51.8	175.7	53,400	55.1	178.4	51,700	60.3	181.3	49,000										80
85	41.7	164.5	52,100	48.1	171.5	49,500	51.6	174.6	47,900	57.0	178.2	45,300										85
90	37.2	158.5	48,500	44.1	166.7	46,000	47.8	170.4	44,600	53.5	174.8	42,200										90
95	32.2	151.2	45,300	39.8	161.2	43,000	43.8	165.5	41,600	49.8	170.8	39,300	55.2	174.0	37,100							95
100	26.3	142.3	42,400	35.1	154.6	40,300	39.5	159.9	39,000	45.9	166.3	36,800	51.6	170.2	34,700							100
105	18.9	130.3	39,800	29.8	146.8	37,800	34.8	153.3	36,600	41.8	161.1	34,600	47.9	166.0	32,600							105
110	5.1	106.8	30,900*	23.4	136.8	35,600	29.4	145.3	34,500	37.3	155.0	32,600	43.9	161.2	30,700	49.5	164.7	28,800				110
115				14.5	122.2	33,600	22.8	135.1	32,500	32.3	147.8	30,700	39.6	155.6	28,900	45.6	160.2	27,200				115
120							13.7	120.0	30,700	26.4	139.0	29,000	34.8	149.0	27,400	41.5	154.9	25,700	47.1	158.2	24,100	120
125										19.0	127.0	27,500	29.4	141.0	25,900	36.9	148.8	24,300	43.1	153.2	22,800	125
130										5.5	104.1	26,000	22.9	130.8	24,500	31.9	141.5	23,000	38.7	147.4	21,600	130
135													13.8	115.8	23,300	25.9	132.4	21,900	33.8	140.6	20,500	135
140																18.3	120.1	20,700	28.3	132.3	19,400	140
145																2.2	92.6	19,600	21.5	121.5	18,500	145
150																			11.3	104.5	17,500	150

S/N: 8885093

MANITOWOC ENGINEERING CO.

Division of the Manitowoc Company, Inc. Manitowoc, Wisconsin 54220



LIFTCRANE LUFFING JIB CAPACITIES

DESIGNED AND TESTED
WITH THE INTENT TO BE
THE SCOPE OF ANSI B30.5

888 SERIES 1

**LUFFING JIB NO. 135 ON BOOM NO. 22EL
144,100 LB. COUNTERWEIGHT
28'2" CRAWLERS EXTENDED
360 DEGREE RATING**

90 FT. BOOM, 110 FT. JIB

JIB OPER. RAD. FEET	88 DEGREE BOOM ANGLE			83 DEGREE BOOM ANGLE			80 DEGREE BOOM ANGLE			75 DEGREE BOOM ANGLE			70 DEGREE BOOM ANGLE			65 DEGREE BOOM ANGLE			60 DEGREE BOOM ANGLE			JIB OPER. RAD. FEET
	JIB ANG. DEG.	JIB POINT ELEV. FEET	LUFFING JIB CAPACITY POUNDS	JIB ANG. DEG.	JIB POINT ELEV. FEET	LUFFING JIB CAPACITY POUNDS	JIB ANG. DEG.	JIB POINT ELEV. FEET	LUFFING JIB CAPACITY POUNDS	JIB ANG. DEG.	JIB POINT ELEV. FEET	LUFFING JIB CAPACITY POUNDS	JIB ANG. DEG.	JIB POINT ELEV. FEET	LUFFING JIB CAPACITY POUNDS	JIB ANG. DEG.	JIB POINT ELEV. FEET	LUFFING JIB CAPACITY POUNDS	JIB ANG. DEG.	JIB POINT ELEV. FEET	LUFFING JIB CAPACITY POUNDS	
40	74.4	203.9	73,100* ^b																			40
45	71.7	202.3	71,300* ^b																			45
50	68.9	200.6	68,400*																			50
55	66.1	198.5	65,600*	70.5	200.8	70,600* ^b																55
60	63.2	196.1	62,900*	67.7	198.9	67,900*																60
65	60.2	193.4	60,300*	64.8	196.7	65,200*	67.5	197.9	67,200													65
70	57.2	190.4	57,700*	61.9	194.2	62,500*	64.6	195.7	61,200													70
75	54.0	187.0	55,500*	58.9	191.3	57,900	61.7	193.2	56,100													75
80	50.7	183.1	53,300*	55.8	188.1	53,400	58.7	190.3	51,700													80
85	47.3	178.8	51,300*	52.6	184.5	49,500	55.6	187.1	47,900	60.3	190.0	45,300										85
90	43.6	173.8	48,500	49.3	180.5	46,000	52.4	183.4	44,500	57.2	186.9	42,100										90
95	39.7	168.2	45,300	45.7	175.9	43,000	49.0	179.3	41,600	54.1	183.5	39,300										95
100	35.4	161.7	42,400	42.0	170.7	40,300	45.5	174.7	39,000	50.8	179.7	36,800	55.6	182.7	34,700							100
105	30.7	154.1	39,900	37.9	164.7	37,800	41.7	169.5	36,600	47.3	175.3	34,600	52.4	179.0	32,600							105
110	25.1	144.6	37,600	33.4	157.7	35,700	37.6	163.4	34,500	43.7	170.4	32,600	49.0	174.9	30,700							110
115	18.0	131.9	33,900*	28.4	149.4	33,700	33.1	156.4	32,600	39.8	164.8	30,700	45.5	170.3	28,900	50.5	173.6	27,200				115
120	4.8	107.2	25,800*	22.3	138.8	31,800	28.0	147.9	30,800	35.5	158.3	29,100	41.7	165.1	27,400	47.1	169.2	25,700				120
125				13.9	123.5	30,100	21.8	137.1	29,200	30.8	150.7	27,500	37.6	159.1	25,900	43.4	164.3	24,300				125
130							13.1	121.2	27,700	25.2	141.3	26,100	33.1	152.0	24,600	39.5	158.6	23,000				130
135										18.1	128.7	24,800	28.0	143.6	23,300	35.2	152.0	21,900	44.8	162.4	21,600	135
140										5.3	104.5	23,500	21.8	132.8	22,200	30.3	144.3	20,800	36.8	150.8	19,400	140
145													13.2	116.9	21,100	24.7	134.7	19,800	32.2	143.6	18,500	145
150																17.5	121.7	18,800	27.0	134.7	17,600	150
155																2.1	92.7	17,900	20.5	123.4	16,800	155
160																			10.8	105.5	15,900	160

S/N: 8885093

MANITOWOC ENGINEERING CO.

Division of the Manitowoc Company, Inc. Manitowoc, Wisconsin 54220



LIFTCRANE LUFFING JIB CAPACITIES

DESIGNED AND TESTED
WITH THE INTENT TO BE
THE SCOPE OF ANSI B30.5

888 SERIES 1

LUFFING JIB NO. 135 ON BOOM NO. 22EL
144,100 LB. COUNTERWEIGHT
28'2" CRAWLERS EXTENDED
360 DEGREE RATING

90 FT. BOOM, 120 FT. JIB

JIB OPER. RAD. FEET	88 DEGREE BOOM ANGLE			83 DEGREE BOOM ANGLE			80 DEGREE BOOM ANGLE			75 DEGREE BOOM ANGLE			70 DEGREE BOOM ANGLE			65 DEGREE BOOM ANGLE			60 DEGREE BOOM ANGLE			JIB OPER. RAD. FEET
	JIB ANG. DEG.	JIB POINT ELEV. FEET	LUFFING JIB CAPACITY POUNDS	JIB ANG. DEG.	JIB POINT ELEV. FEET	LUFFING JIB CAPACITY POUNDS	JIB ANG. DEG.	JIB POINT ELEV. FEET	LUFFING JIB CAPACITY POUNDS	JIB ANG. DEG.	JIB POINT ELEV. FEET	LUFFING JIB CAPACITY POUNDS	JIB ANG. DEG.	JIB POINT ELEV. FEET	LUFFING JIB CAPACITY POUNDS	JIB ANG. DEG.	JIB POINT ELEV. FEET	LUFFING JIB CAPACITY POUNDS	JIB ANG. DEG.	JIB POINT ELEV. FEET	LUFFING JIB CAPACITY POUNDS	
40	75.7	214.2	67,700*																			40
45	73.2	212.8	66,100*																			45
50	70.7	211.2	63,300*																			50
55	68.2	209.3	60,700*																			55
60	65.6	207.2	58,200*	69.6	209.6	62,600*																60
65	62.9	204.8	55,800*	67.0	207.6	60,100*																65
70	60.2	202.1	53,500*	64.4	205.4	57,800*	66.9	206.7	59,900*													70
75	57.4	199.1	51,400*	61.7	202.8	55,500*	64.2	204.4	55,800													75
80	54.5	195.7	49,200*	59.0	200.0	53,100	61.6	201.8	51,400													80
85	51.6	191.9	47,200*	56.2	196.8	49,200	58.8	199.0	47,600	63.0	201.3	44,900										85
90	48.4	187.7	45,400*	53.3	193.3	45,700	56.0	195.8	44,200	60.3	198.6	41,800										90
95	45.2	183.0	43,600*	50.2	189.3	42,700	53.0	192.2	41,300	57.5	195.6	39,000										95
100	41.7	177.7	41,900*	47.0	184.9	40,000	50.0	188.2	38,700	54.6	192.2	36,500										100
105	38.0	171.8	39,700	43.7	180.0	37,600	46.8	183.8	36,300	51.6	188.5	34,300	56.0	191.4	32,200							105
110	33.9	164.9	37,400	40.1	174.4	35,400	43.4	178.8	34,200	48.5	184.3	32,300	53.1	187.8	30,300							110
115	29.3	156.7	35,300	36.2	168.0	33,400	39.8	173.2	32,300	45.2	179.6	30,400	50.0	183.8	28,600							115
120	24.0	146.8	33,400	32.0	160.7	31,600	35.9	166.7	30,600	41.7	174.3	28,800	46.8	179.4	27,000	51.4	182.4	25,300				120
125	17.2	133.5	29,900*	27.1	151.8	30,000	31.6	159.3	29,000	38.0	168.3	27,300	43.5	174.4	25,600	48.2	178.2	23,900				125
130				21.3	140.7	28,400	26.8	150.3	27,500	34.0	161.5	25,900	39.9	168.8	24,300	45.0	173.5	22,700				130
135	4.6	107.6	22,900*	13.3	124.7	27,000	20.8	139.0	26,100	29.4	153.4	24,600	36.0	162.4	23,000	41.5	168.1	21,500	46.2	171.5	20,100	135
140							12.5	122.3	24,800	24.1	143.4	23,400	31.7	154.9	21,900	37.7	162.1	20,500	42.8	166.4	19,100	140
145										17.4	130.2	22,200	26.8	146.0	20,900	33.6	155.1	19,500	39.2	160.7	18,200	145
150										5.1	105.0	21,100	20.9	134.7	19,900	29.0	146.9	18,600	35.2	154.1	17,300	150
155													12.6	118.1	18,900	23.6	136.8	17,700	30.8	146.4	16,500	155
160																16.7	123.2	16,900	25.8	137.1	15,700	160
165																2.0	92.9	16,000	19.6	125.1	15,000	165
170																			10.3	106.4	14,200	170

S/N: 8885093

MANITOWOC ENGINEERING CO.

Division of the Manitowoc Company, Inc. Manitowoc, Wisconsin 54220



LIFTCRANE LUFFING JIB CAPACITIES

DESIGNED AND TESTED
WITH THE INTENT TO BE
THE SCOPE OF ANSI B30.5

888 SERIES 1

LUFFING JIB NO. 135 ON BOOM NO. 22EL
144,100 LB. COUNTERWEIGHT
28'2" CRAWLERS EXTENDED
360 DEGREE RATING

90 FT. BOOM, 130 FT. JIB

JIB OPER. RAD. FEET	88 DEGREE BOOM ANGLE			83 DEGREE BOOM ANGLE			80 DEGREE BOOM ANGLE			75 DEGREE BOOM ANGLE			70 DEGREE BOOM ANGLE			65 DEGREE BOOM ANGLE			60 DEGREE BOOM ANGLE			JIB OPER. RAD. FEET
	JIB ANG. DEG.	JIB POINT ELEV. FEET	LUFFING JIB CAPACITY POUNDS	JIB ANG. DEG.	JIB POINT ELEV. FEET	LUFFING JIB CAPACITY POUNDS	JIB ANG. DEG.	JIB POINT ELEV. FEET	LUFFING JIB CAPACITY POUNDS	JIB ANG. DEG.	JIB POINT ELEV. FEET	LUFFING JIB CAPACITY POUNDS	JIB ANG. DEG.	JIB POINT ELEV. FEET	LUFFING JIB CAPACITY POUNDS	JIB ANG. DEG.	JIB POINT ELEV. FEET	LUFFING JIB CAPACITY POUNDS	JIB ANG. DEG.	JIB POINT ELEV. FEET	LUFFING JIB CAPACITY POUNDS	
45	74.6	223.2	56,000*																			45
50	72.3	221.8	54,000*																			50
55	69.9	220.0	51,800*																			55
60	67.6	218.1	49,600*																			60
65	65.2	215.9	47,600*	68.9	218.4	51,100*																65
70	62.7	213.5	45,700*	66.5	216.4	49,100*																70
75	60.2	210.7	43,800*	64.1	214.1	47,200*	66.3	215.4	48,900*													75
80	57.6	207.7	42,100*	61.6	211.5	45,300*	63.9	213.1	47,000*													80
85	55.0	204.4	40,400*	59.1	208.6	43,500*	61.4	210.5	45,200*													85
90	52.2	200.7	38,800*	56.5	205.5	41,800*	58.9	207.6	43,500*	62.7	210.0	41,500										90
95	49.4	196.6	37,300*	53.8	202.0	40,200*	56.3	204.4	41,100	60.2	207.3	38,700										95
100	46.4	192.1	35,900*	51.0	198.2	38,600*	53.6	200.9	38,500	57.7	204.3	36,200										100
105	43.3	187.1	34,600*	48.1	193.9	37,100*	50.8	197.1	36,100	55.0	200.9	34,000										105
110	40.0	181.5	33,300*	45.1	189.2	35,200	47.9	192.8	34,000	52.3	197.3	32,000	56.3	200.0	30,100							110
115	36.4	175.1	32,200*	41.9	183.9	33,300	44.9	188.0	32,100	49.4	193.2	30,200	53.6	196.5	28,300							115
120	32.5	167.8	31,100*	38.5	178.0	31,500	41.6	182.7	30,400	46.5	188.7	28,600	50.8	192.7	26,800							120
125	28.2	159.3	30,100*	34.8	171.2	29,800	38.2	176.7	28,800	43.3	183.7	27,000	47.9	188.4	25,300	52.1	191.2	23,700				125
130	23.1	148.9	29,200*	30.7	163.5	28,300	34.5	169.9	27,300	40.0	178.0	25,700	44.9	183.6	24,000	49.2	187.1	22,500				130
135	16.6	135.0	26,700*	26.0	154.2	26,900	30.4	162.0	26,000	36.5	171.7	24,400	41.7	178.3	22,800	46.2	182.6	21,300				135
140	4.4	108.0	20,500*	20.5	142.6	25,600	25.7	152.7	24,700	32.6	164.4	23,200	38.2	172.3	21,700	43.1	177.5	20,200	47.4	180.5	18,800	140
145				12.7	125.8	24,400	20.0	140.8	23,500	28.2	155.9	22,100	34.5	165.6	20,700	39.8	171.8	19,300	44.3	175.7	17,900	145
150							12.0	123.4	22,400	23.1	145.5	21,100	30.4	157.7	19,700	36.2	165.4	18,300	41.0	170.2	17,000	150
155										16.7	131.7	20,100	25.7	148.3	18,800	32.3	158.1	17,500	37.6	164.1	16,200	155
160										4.9	105.4	19,100	20.1	136.5	17,900	27.9	149.4	16,700	33.8	157.2	15,500	160
165													12.1	119.2	17,100	22.7	138.9	15,900	29.6	149.1	14,800	165
170																16.1	124.7	15,200	24.8	139.3	14,100	170
175																1.9	93.1	14,400	18.8	126.8	13,400	175
180																			9.9	107.3	12,800	180

S/N: 8885093

MANITOWOC ENGINEERING CO.

Division of the Manitowoc Company, Inc. Manitowoc, Wisconsin 54220



LIFTCRANE LUFFING JIB CAPACITIES

DESIGNED AND TESTED
WITH THE INTENT TO BE
THE SCOPE OF ANSI B30.5

888 SERIES 1

LUFFING JIB NO. 135 ON BOOM NO. 22EL
144,100 LB. COUNTERWEIGHT
28'2" CRAWLERS EXTENDED
360 DEGREE RATING

90 FT. BOOM, 140 FT. JIB

JIB OPER. RAD. FEET	88 DEGREE BOOM ANGLE			83 DEGREE BOOM ANGLE			80 DEGREE BOOM ANGLE			75 DEGREE BOOM ANGLE			70 DEGREE BOOM ANGLE			65 DEGREE BOOM ANGLE			60 DEGREE BOOM ANGLE			JIB OPER. RAD. FEET
	JIB ANG. DEG.	JIB POINT ELEV. FEET	LUFFING JIB CAPACITY POUNDS	JIB ANG. DEG.	JIB POINT ELEV. FEET	LUFFING JIB CAPACITY POUNDS	JIB ANG. DEG.	JIB POINT ELEV. FEET	LUFFING JIB CAPACITY POUNDS	JIB ANG. DEG.	JIB POINT ELEV. FEET	LUFFING JIB CAPACITY POUNDS	JIB ANG. DEG.	JIB POINT ELEV. FEET	LUFFING JIB CAPACITY POUNDS	JIB ANG. DEG.	JIB POINT ELEV. FEET	LUFFING JIB CAPACITY POUNDS	JIB ANG. DEG.	JIB POINT ELEV. FEET	LUFFING JIB CAPACITY POUNDS	
45	75.7	233.6	52,000*																			45
50	73.6	232.2	49,900*																			50
55	71.4	230.6	47,800*																			55
60	69.2	228.9	45,800*																			60
65	67.0	226.8	43,900*	70.5	229.1	47,100*																65
70	64.8	224.6	42,100*	68.3	227.2	45,200*																70
75	62.5	222.1	40,300*	66.1	225.1	43,400*																75
80	60.2	219.4	38,600*	63.8	222.7	41,600*	65.9	224.1	43,200*													80
85	57.8	216.4	37,000*	61.5	220.2	39,900*	63.6	221.8	41,500*													85
90	55.3	213.1	35,500*	59.1	217.3	38,300*	61.3	219.2	39,800*													90
95	52.8	209.5	34,000*	56.7	214.2	36,700*	59.0	216.3	38,200*	62.6	218.7	38,400										95
100	50.2	205.5	32,600*	54.2	210.7	35,200*	56.6	213.1	36,700*	60.2	215.9	35,900										100
105	47.5	201.1	31,300*	51.7	207.0	33,700*	54.1	209.7	35,200*	57.8	212.9	33,700										105
110	44.6	196.3	30,000*	49.0	202.8	32,400*	51.5	205.9	33,700	55.4	209.6	31,700										110
115	41.7	191.0	28,800*	46.3	198.3	31,100*	48.8	201.7	31,800	52.9	206.0	29,900	56.6	208.7	28,000							115
120	38.5	185.0	27,700*	43.4	193.2	29,800*	46.1	197.1	30,100	50.2	202.0	28,200	54.1	205.3	26,400							120
125	35.1	178.3	26,600*	40.3	187.6	28,600*	43.1	192.0	28,500	47.5	197.7	26,700	51.5	201.5	25,000							125
130	31.3	170.7	25,600*	37.0	181.4	27,500*	40.1	186.4	27,000	44.7	192.9	25,400	48.9	197.3	23,700	52.7	200.0	22,100				130
135	27.1	161.7	24,700*	33.5	174.3	26,500*	36.8	180.1	25,700	41.7	187.5	24,100	46.1	192.7	22,500	50.0	196.0	20,900				135
140	22.2	150.9	23,900*	29.5	166.2	25,400	33.2	173.0	24,400	38.5	181.6	22,900	43.2	187.7	21,400	47.3	191.6	19,900				140
145	15.9	136.4	23,200*	25.1	156.5	24,200	29.2	164.7	23,300	35.1	174.9	21,800	40.1	182.0	20,300	44.5	186.7	18,900				145
150	4.3	108.4	18,200*	19.7	144.3	23,000	24.7	154.9	22,200	31.4	167.3	20,800	36.8	175.7	19,400	41.5	181.4	18,000	45.5	184.8	16,700	150
155				12.3	126.9	22,000	19.3	142.5	21,200	27.2	158.4	19,800	33.2	168.6	18,500	38.3	175.4	17,200	42.6	179.7	15,900	155
160							11.6	124.4	20,200	22.3	147.5	18,900	29.3	160.4	17,600	34.8	168.6	16,400	39.5	173.9	15,100	160
165										16.1	133.2	18,100	24.8	150.6	16,800	31.1	160.9	15,600	36.1	167.5	14,400	165
170										4.7	105.8	17,200	19.3	138.2	16,100	26.8	151.9	14,900	32.5	160.1	13,800	170
175													11.7	120.2	15,300	21.9	140.8	14,200	28.5	151.7	13,100	175
180																15.5	126.0	13,600	23.8	141.5	12,500	180
185																1.9	93.3	12,900	18.1	128.4	12,000	185
190																			9.6	108.2	11,400	190

S/N: 8885093

MANITOWOC ENGINEERING CO.

Division of the Manitowoc Company, Inc. Manitowoc, Wisconsin 54220



LIFTCRANE LUFFING JIB CAPACITIES

DESIGNED AND TESTED
WITH THE INTENT TO BE
THE SCOPE OF ANSI B30.5

888 SERIES 1

LUFFING JIB NO. 135 ON BOOM NO. 22EL
144,100 LB. COUNTERWEIGHT
28'2" CRAWLERS EXTENDED
360 DEGREE RATING

90 FT. BOOM, 150 FT. JIB

JIB OPER. RAD. FEET	88 DEGREE BOOM ANGLE			83 DEGREE BOOM ANGLE			80 DEGREE BOOM ANGLE			75 DEGREE BOOM ANGLE			70 DEGREE BOOM ANGLE			65 DEGREE BOOM ANGLE			60 DEGREE BOOM ANGLE			JIB OPER. RAD. FEET
	JIB ANG. DEG.	JIB POINT ELEV. FEET	LUFFING JIB CAPACITY POUNDS	JIB ANG. DEG.	JIB POINT ELEV. FEET	LUFFING JIB CAPACITY POUNDS	JIB ANG. DEG.	JIB POINT ELEV. FEET	LUFFING JIB CAPACITY POUNDS	JIB ANG. DEG.	JIB POINT ELEV. FEET	LUFFING JIB CAPACITY POUNDS	JIB ANG. DEG.	JIB POINT ELEV. FEET	LUFFING JIB CAPACITY POUNDS	JIB ANG. DEG.	JIB POINT ELEV. FEET	LUFFING JIB CAPACITY POUNDS	JIB ANG. DEG.	JIB POINT ELEV. FEET	LUFFING JIB CAPACITY POUNDS	
50	74.7	242.6	46,300*																			50
55	72.7	241.1	44,300*																			55
60	70.7	239.5	42,500*																			60
65	68.6	237.6	40,700*																			65
70	66.6	235.6	38,900*	69.8	237.9	41,800*																70
75	64.5	233.3	37,300*	67.7	236.0	40,100*																75
80	62.3	230.8	35,700*	65.7	233.8	38,400*	67.6	235.0	39,800*													80
85	60.2	228.1	34,100*	63.6	231.4	36,800*	65.5	232.8	38,200*													85
90	57.9	225.1	32,600*	61.4	228.8	35,300*	63.4	230.4	36,700*													90
95	55.7	221.8	31,200*	59.2	226.0	33,700*	61.2	227.8	35,200*													95
100	53.3	218.2	29,900*	57.0	222.9	32,300*	59.0	224.9	33,700*	62.4	227.3	35,600*										100
105	50.9	214.3	28,600*	54.6	219.5	30,900*	56.8	221.8	32,300*	60.2	224.6	33,600										105
110	48.4	210.1	27,300*	52.3	215.8	29,600*	54.5	218.4	30,900*	58.0	221.6	31,600										110
115	45.8	205.4	26,200*	49.8	211.7	28,300*	52.1	214.7	29,600*	55.7	218.3	29,800										115
120	43.1	200.3	25,000*	47.3	207.3	27,100*	49.6	210.6	28,300*	53.4	214.8	28,100	56.8	217.4	26,300							120
125	40.2	194.7	24,000*	44.6	202.5	25,900*	47.1	206.1	27,100*	50.9	210.9	26,600	54.5	214.0	24,900							125
130	37.1	188.5	23,000*	41.8	197.1	24,800*	44.4	201.3	25,900*	48.4	206.6	25,300	52.1	210.3	23,600							130
135	33.8	181.4	22,000*	38.9	191.2	23,800*	41.6	195.9	24,800*	45.8	202.0	24,000	49.7	206.2	22,400							135
140	30.2	173.4	21,200*	35.7	184.7	22,800*	38.6	190.0	23,800*	43.1	196.9	22,800	47.1	201.8	21,300	50.7	204.8	19,800				140
145	26.2	164.1	20,300*	32.3	177.3	21,900*	35.5	183.4	22,800*	40.2	191.3	21,700	44.4	196.9	20,300	48.2	200.6	18,800				145
150	21.5	152.8	19,600*	28.5	168.7	21,000*	32.0	175.9	21,900*	37.2	185.0	20,700	41.6	191.5	19,300	45.6	195.9	17,900				150
155	15.4	137.8	18,900*	24.2	158.7	20,200*	28.2	167.3	21,000*	33.9	178.0	19,800	38.7	185.6	18,400	42.9	190.7	17,100	46.6	193.9	15,800	155
160		108.7	16,400*	19.0	146.0	19,400*	23.9	157.0	20,200	30.3	170.1	18,900	35.5	179.0	17,600	40.0	185.1	16,300	43.9	188.9	15,000	160
165	4.1			18.6	144.2	19,300*	18.6	144.2	19,300*	26.2	160.8	18,000	32.1	171.5	16,800	36.9	178.8	15,500	41.1	183.5	14,300	165
170				11.9	127.9	18,900*	11.2	125.4	18,500	21.5	149.5	17,300	28.3	162.9	16,000	33.6	171.7	14,800	38.1	177.4	13,700	170
175										15.5	134.5	16,500	23.9	152.7	15,300	30.0	163.6	14,200	34.9	170.7	13,100	175
180										4.5	106.2	15,700	18.7	139.9	14,700	25.9	154.2	13,600	31.4	163.0	12,500	180
185													11.3	121.2	14,000	21.1	142.7	13,000	27.5	154.1	11,900	185
190																14.9	127.4	12,400	23.0	143.6	11,400	190
195																1.8	93.4	11,800	17.5	130.0	10,900	195
200																			9.2	109.0	10,400	200

S/N: 8885093

MANITOWOC ENGINEERING CO.

Division of the Manitowoc Company, Inc. Manitowoc, Wisconsin 54220



LIFTCRANE LUFFING JIB CAPACITIES

DESIGNED AND TESTED
WITH THE INTENT TO BE
THE SCOPE OF ANSI B30.5

888 SERIES 1

LUFFING JIB NO. 135 ON BOOM NO. 22EL
144,100 LB. COUNTERWEIGHT
28'2" CRAWLERS EXTENDED
360 DEGREE RATING

90 FT. BOOM, 160 FT. JIB

JIB OPER. RAD. FEET	88 DEGREE BOOM ANGLE			83 DEGREE BOOM ANGLE			80 DEGREE BOOM ANGLE			75 DEGREE BOOM ANGLE			70 DEGREE BOOM ANGLE			65 DEGREE BOOM ANGLE			60 DEGREE BOOM ANGLE			JIB OPER. RAD. FEET
	JIB ANG. DEG.	JIB POINT ELEV. FEET	LUFFING JIB CAPACITY POUNDS	JIB ANG. DEG.	JIB POINT ELEV. FEET	LUFFING JIB CAPACITY POUNDS	JIB ANG. DEG.	JIB POINT ELEV. FEET	LUFFING JIB CAPACITY POUNDS	JIB ANG. DEG.	JIB POINT ELEV. FEET	LUFFING JIB CAPACITY POUNDS	JIB ANG. DEG.	JIB POINT ELEV. FEET	LUFFING JIB CAPACITY POUNDS	JIB ANG. DEG.	JIB POINT ELEV. FEET	LUFFING JIB CAPACITY POUNDS	JIB ANG. DEG.	JIB POINT ELEV. FEET	LUFFING JIB CAPACITY POUNDS	
50	75.7	253.0	42,600*																			50
55	73.8	251.6	40,800*																			55
60	71.9	250.1	39,000*																			60
65	70.0	248.3	37,300*																			65
70	68.1	246.4	35,700*																			70
75	66.2	244.3	34,100*	69.2	246.7	36,700*																75
80	64.2	242.0	32,500*	67.3	244.7	35,100*																80
85	62.2	239.5	31,000*	65.3	242.5	33,600*	67.1	243.7	34,900*													85
90	60.2	236.7	29,600*	63.3	240.1	32,100*	65.2	241.5	33,400*													90
95	58.1	233.7	28,200*	61.3	237.5	30,600*	63.2	239.1	31,900*													95
100	55.9	230.5	26,900*	59.3	234.6	29,200*	61.2	236.5	30,500*													100
105	53.7	227.0	25,600*	57.1	231.5	27,900*	59.1	233.6	29,200*	62.2	236.0	31,000*										105
110	51.5	223.1	24,400*	55.0	228.2	26,600*	57.0	230.5	27,800*	60.2	233.3	29,700*										110
115	49.2	219.0	23,300*	52.8	224.5	25,300*	54.8	227.1	26,500*	58.1	230.3	28,400*										115
120	46.8	214.5	22,200*	50.5	220.6	24,100*	52.6	223.4	25,300*	56.0	227.0	27,200*										120
125	44.2	209.6	21,200*	48.1	216.3	23,000*	50.3	219.5	24,100*	53.8	223.5	25,900*	57.0	226.1	24,600							125
130	41.6	204.2	20,200*	45.7	211.6	21,900*	48.0	215.1	23,000*	51.5	219.7	24,800*	54.9	222.7	23,300							130
135	38.8	198.3	19,200*	43.1	206.5	20,900*	45.5	210.4	21,900*	49.2	215.6	23,600*	52.6	219.0	22,100							135
140	35.9	191.8	18,300*	40.4	200.9	19,900*	42.9	205.3	20,900*	46.8	211.1	22,500	50.3	215.1	21,000							140
145	32.7	184.4	17,500*	37.6	194.7	19,000*	40.2	199.6	19,900*	44.3	206.1	21,400	48.0	210.7	19,900	51.4	213.6	18,500				145
150	29.2	176.1	16,700*	34.5	187.8	18,100*	37.4	193.4	19,000*	41.7	200.8	20,400	45.5	206.0	19,000	49.0	209.5	17,600				150
155	25.3	166.4	16,000*	31.2	180.1	17,300*	34.3	186.5	18,100*	38.9	194.9	19,500	43.0	200.9	18,100	46.6	204.9	16,700				155
160	20.8	154.7	15,300*	27.6	171.2	16,500*	31.0	178.7	17,300*	35.9	188.3	18,600	40.3	195.3	17,300	44.1	200.0	15,900	47.5	202.9	14,700	160
165	14.9	139.1	14,700*	23.4	160.8	15,800*	27.3	169.7	16,500*	32.8	181.0	17,800	37.4	189.1	16,500	41.5	194.6	15,200	45.0	198.1	14,000	165
170	4.0	109.1	14,200*	18.4	147.7	15,100*	23.1	159.1	15,800*	29.3	172.7	17,000	34.3	182.1	15,700	38.7	188.7	14,500	42.5	192.9	13,300	170
175				11.5	129.0	14,600*	18.0	145.8	15,100*	25.4	163.1	16,200*	31.0	174.3	15,000	35.7	182.1	13,900	39.7	187.2	12,700	175
180							10.8	126.3	14,600*	20.8	151.3	15,600	27.4	165.4	14,400	32.5	174.7	13,200	36.8	180.8	12,100	180
185										15.0	135.9	14,900	23.2	154.8	13,800	29.0	166.3	12,700	33.7	173.8	11,600	185
190										4.4	106.6	14,200	18.1	141.5	13,200	25.1	156.5	12,100	30.4	165.8	11,100	190
195													10.9	122.2	12,600	20.4	144.6	11,600	26.6	156.6	10,600	195
200																14.5	128.7	11,100	22.3	145.6	10,100	200
205																1.8	93.6	10,500	16.9	131.5	9,600	205
210																			9.0	109.8	9,200	210

S/N: 8885093

MANITOWOC ENGINEERING CO.

Division of the Manitowoc Company, Inc. Manitowoc, Wisconsin 54220



LIFTCRANE LUFFING JIB CAPACITIES

DESIGNED AND TESTED
WITH THE INTENT TO BE
THE SCOPE OF ANSI B30.5

888 SERIES 1

LUFFING JIB NO. 135 ON BOOM NO. 22EL
144,100 LB. COUNTERWEIGHT
28'2" CRAWLERS EXTENDED
360 DEGREE RATING

90 FT. BOOM, 170 FT. JIB

JIB OPER. RAD. FEET	88 DEGREE BOOM ANGLE			83 DEGREE BOOM ANGLE			80 DEGREE BOOM ANGLE			75 DEGREE BOOM ANGLE			70 DEGREE BOOM ANGLE			65 DEGREE BOOM ANGLE			60 DEGREE BOOM ANGLE			JIB OPER. RAD. FEET
	JIB ANG. DEG.	JIB POINT ELEV. FEET	LUFFING JIB CAPACITY POUNDS	JIB ANG. DEG.	JIB POINT ELEV. FEET	LUFFING JIB CAPACITY POUNDS	JIB ANG. DEG.	JIB POINT ELEV. FEET	LUFFING JIB CAPACITY POUNDS	JIB ANG. DEG.	JIB POINT ELEV. FEET	LUFFING JIB CAPACITY POUNDS	JIB ANG. DEG.	JIB POINT ELEV. FEET	LUFFING JIB CAPACITY POUNDS	JIB ANG. DEG.	JIB POINT ELEV. FEET	LUFFING JIB CAPACITY POUNDS	JIB ANG. DEG.	JIB POINT ELEV. FEET	LUFFING JIB CAPACITY POUNDS	
55	74.8	262.0	37,800*																			55
60	73.0	260.5	36,100*																			60
65	71.3	258.9	34,500*																			65
70	69.5	257.1	32,900*																			70
75	67.7	255.2	31,400*	70.5	257.4	33,800*																75
80	65.8	253.0	29,900*	68.7	255.5	32,300*																80
85	64.0	250.7	28,500*	66.9	253.5	30,900*																85
90	62.1	248.1	27,200*	65.0	251.2	29,500*	66.7	252.5	30,700*													90
95	60.2	245.4	25,800*	63.1	248.8	28,100*	64.9	250.2	29,300*													95
100	58.2	242.4	24,600*	61.2	246.2	26,800*	63.0	247.8	28,000*													100
105	56.2	239.2	23,400*	59.3	243.3	25,500*	61.1	245.1	26,700*													105
110	54.1	235.7	22,200*	57.3	240.2	24,200*	59.2	242.3	25,400*	62.1	244.7	27,100*										110
115	52.0	231.9	21,100*	55.3	236.9	23,000*	57.2	239.2	24,200*	60.2	241.9	25,900*										115
120	49.9	227.9	20,000*	53.2	233.3	21,900*	55.1	235.8	23,000*	58.2	238.9	24,700*										120
125	47.6	223.5	19,000*	51.1	229.4	20,800*	53.1	232.2	21,900*	56.2	235.7	23,600*										125
130	45.3	218.7	18,100*	48.9	225.2	19,800*	50.9	228.3	20,800*	54.2	232.2	22,400*	57.2	234.8	23,000							130
135	42.9	213.6	17,200*	46.6	220.6	18,800*	48.7	224.1	19,700*	52.1	228.5	21,300*	55.2	231.4	21,800							135
140	40.3	207.9	16,300*	44.2	215.7	17,800*	46.4	219.5	18,800*	49.9	224.4	20,300*	53.1	227.8	20,700							140
145	37.6	201.8	15,500*	41.8	210.4	16,900*	44.1	214.5	17,800*	47.6	220.0	19,300*	50.9	223.9	19,700							145
150	34.8	194.9	14,700*	39.2	204.5	16,100*	41.6	209.1	16,900*	45.3	215.3	18,300*	48.7	219.7	18,700	51.9	222.4	17,300				150
155	31.7	187.3	13,900*	36.4	198.1	15,200*	39.0	203.2	16,000*	42.9	210.1	17,400*	46.5	215.1	17,800	49.7	218.4	16,500				155
160	28.4	178.7	13,200*	33.5	190.9	14,500*	36.2	196.8	15,200*	40.4	204.5	16,600*	44.1	210.2	17,000	47.5	214.0	15,700				160
165	24.6	168.6	12,500*	30.3	182.9	13,700*	33.3	189.5	14,500*	37.7	198.3	15,700*	41.6	204.8	16,200	45.1	209.2	15,000				165
170	20.1	156.5	11,700*	26.8	173.7	13,000*	30.0	181.4	13,700*	34.8	191.5	14,900*	39.0	198.9	15,500	42.7	204.0	14,300	46.0	207.2	13,100	170
175	14.5	140.4	10,900*	22.7	162.8	12,100*	26.5	172.1	13,000*	31.8	183.9	14,200*	36.2	192.4	14,800	40.2	198.3	13,600	43.6	202.2	12,500	175
180			10,200*	17.9	149.3	11,300*	22.4	161.1	12,100*	28.4	175.3	13,500*	33.3	185.2	14,200	37.5	192.1	13,000	41.1	196.7	11,900	180
185				11.1	130.0	10,600*	17.5	147.4	11,300*	24.6	165.3	12,600*	30.1	177.1	13,600	34.6	185.2	12,400	38.5	190.7	11,300	185
190							10.5	127.3	10,500*	20.2	153.2	11,700*	26.5	167.8	13,000	31.5	177.5	11,900	35.7	184.1	10,800	190
195										14.6	137.2	11,000*	22.5	156.8	12,200*	28.1	168.8	11,400	32.7	176.7	10,300	195
200										4.2	107.0	10,300*	17.5	143.1	11,400*	24.3	158.7	10,900	29.4	168.4	9,900	200
205													10.6	123.1	10,600*	19.8	146.3	10,400	25.8	158.9	9,400	205
210																14.0	129.9	9,900	21.6	147.5	9,000	210
215																1.7	93.7	9,400	16.4	133.0	8,600	215
220																			8.7	110.6	8,200	220

S/N: 8885093

MANITOWOC ENGINEERING CO.

Division of the Manitowoc Company, Inc. Manitowoc, Wisconsin 54220



LIFTCRANE LUFFING JIB CAPACITIES

DESIGNED AND TESTED
WITH THE INTENT TO BE
THE SCOPE OF ANSI B30.5

888 SERIES 1

**LUFFING JIB NO. 135 ON BOOM NO. 22EL
144,100 LB. COUNTERWEIGHT
28'2" CRAWLERS EXTENDED
360 DEGREE RATING**

100 FT. BOOM, 70 FT. JIB

JIB OPER. RAD. FEET	88 DEGREE BOOM ANGLE			83 DEGREE BOOM ANGLE			80 DEGREE BOOM ANGLE			75 DEGREE BOOM ANGLE			70 DEGREE BOOM ANGLE			65 DEGREE BOOM ANGLE			60 DEGREE BOOM ANGLE			JIB OPER. RAD. FEET
	JIB ANG. DEG.	JIB POINT ELEV. FEET	LUFFING JIB CAPACITY POUNDS	JIB ANG. DEG.	JIB POINT ELEV. FEET	LUFFING JIB CAPACITY POUNDS	JIB ANG. DEG.	JIB POINT ELEV. FEET	LUFFING JIB CAPACITY POUNDS	JIB ANG. DEG.	JIB POINT ELEV. FEET	LUFFING JIB CAPACITY POUNDS	JIB ANG. DEG.	JIB POINT ELEV. FEET	LUFFING JIB CAPACITY POUNDS	JIB ANG. DEG.	JIB POINT ELEV. FEET	LUFFING JIB CAPACITY POUNDS	JIB ANG. DEG.	JIB POINT ELEV. FEET	LUFFING JIB CAPACITY POUNDS	
45	60.7	169.0	96,900* ^b																			45
50	55.9	165.9	94,100* ^b	64.1	170.0	97,700 ^b																50
55	50.8	162.2	90,300* ^b	59.5	167.3	86,300 ^b	64.2	169.2	83,500 ^b													55
60	45.3	157.7	81,400	54.6	164.1	77,200 ^b	59.6	166.5	74,700 ^b													60
65	39.2	152.2	73,500	49.4	160.2	69,700	54.7	163.3	67,500 ^b	62.8	166.4	63,700 ^b										65
70	32.2	145.2	66,900	43.7	155.4	63,500	49.5	159.4	61,400	58.1	163.5	58,000 ^b										70
75	23.4	135.7	61,300	37.4	149.6	58,200	43.9	154.7	56,300	53.2	160.1	53,100 ^b										75
80	8.3	118.1	47,600*	30.1	142.1	53,700	37.7	148.9	51,900	47.9	156.0	49,000	56.5	159.6	46,100 ^b							80
85				20.5	131.5	49,700	30.3	141.5	48,100	42.1	151.0	45,400	51.4	156.0	42,700							85
90							20.8	131.1	44,700	35.6	144.8	42,200	45.9	151.6	39,700							90
95										27.8	136.7	39,400	39.9	146.2	37,100	49.2	150.8	34,800				95
100										17.0	124.5	36,800	33.0	139.4	34,700	43.6	146.0	32,500				100
105													24.5	130.3	32,500	37.3	140.1	30,500	46.7	144.4	28,600	105
110													11.1	114.8	30,500	29.9	132.6	28,700	40.7	139.2	26,900	110
115																20.2	121.9	27,000	34.0	132.7	25,300	115
120																			25.7	124.0	23,900	120
125																			13.6	109.9	22,500	125

100 FT. BOOM, 80 FT. JIB

JIB OPER. RAD. FEET	88 DEGREE BOOM ANGLE			83 DEGREE BOOM ANGLE			80 DEGREE BOOM ANGLE			75 DEGREE BOOM ANGLE			70 DEGREE BOOM ANGLE			65 DEGREE BOOM ANGLE			60 DEGREE BOOM ANGLE			JIB OPER. RAD. FEET
	JIB ANG. DEG.	JIB POINT ELEV. FEET	LUFFING JIB CAPACITY POUNDS	JIB ANG. DEG.	JIB POINT ELEV. FEET	LUFFING JIB CAPACITY POUNDS	JIB ANG. DEG.	JIB POINT ELEV. FEET	LUFFING JIB CAPACITY POUNDS	JIB ANG. DEG.	JIB POINT ELEV. FEET	LUFFING JIB CAPACITY POUNDS	JIB ANG. DEG.	JIB POINT ELEV. FEET	LUFFING JIB CAPACITY POUNDS	JIB ANG. DEG.	JIB POINT ELEV. FEET	LUFFING JIB CAPACITY POUNDS	JIB ANG. DEG.	JIB POINT ELEV. FEET	LUFFING JIB CAPACITY POUNDS	
40	68.5	182.4	94,900* ^b																			40
45	64.6	180.2	90,200* ^b																			45
50	60.6	177.6	87,400* ^b	67.5	181.0	96,200* ^b																50
55	56.4	174.6	83,700*	63.6	178.7	86,000 ^b	67.7	180.2	83,200 ^b													55
60	52.0	171.0	80,100*	59.5	176.0	76,900 ^b	63.7	177.9	74,400 ^b													60
65	47.3	166.7	73,400	55.3	172.8	69,500	59.7	175.2	67,200 ^b													65
70	42.2	161.7	66,800	50.8	169.0	63,300	55.4	172.0	61,100	62.5	175.0	57,600 ^b										70
75	36.6	155.6	61,300	46.0	164.6	58,000	50.9	168.3	56,100	58.4	172.2	52,800										75
80	30.0	148.0	56,500	40.8	159.3	53,500	46.2	163.9	51,700	54.1	168.9	48,700										80
85	21.8	137.7	52,300	34.9	152.9	49,500	41.0	158.6	47,900	49.5	164.9	45,100	56.9	168.3	42,300							85
90	7.8	118.8	42,100*	28.1	144.7	46,100	35.1	152.2	44,500	44.6	160.3	41,900	52.5	164.8	39,400							90
95				19.1	133.3	43,000	28.3	144.1	41,600	39.3	154.7	39,100	47.9	160.6	36,700							95
100							19.5	132.8	38,900	33.2	147.9	36,600	42.8	155.6	34,400	50.7	159.6	32,200				100
105										25.9	139.1	34,400	37.2	149.7	32,300	45.9	155.2	30,200				105
110										15.9	126.0	32,300	30.8	142.3	30,400	40.6	149.9	28,400				110
115													22.9	132.4	28,600	34.8	143.4	26,800	43.5	148.6	25,000	115
120													10.4	115.7	27,000	27.9	135.2	25,300	38.0	142.8	23,600	120
125																18.9	123.6	23,900	31.7	135.6	22,300	125
130																			24.1	126.2	21,100	130
135																			12.7	111.1	19,900	135

S/N: 8885093

MANITOWOC ENGINEERING CO.

Division of the Manitowoc Company, Inc. Manitowoc, Wisconsin 54220



LIFTCRANE LUFFING JIB CAPACITIES

DESIGNED AND TESTED
WITH THE INTENT TO BE
THE SCOPE OF ANSI B30.5

888 SERIES 1

**LUFFING JIB NO. 135 ON BOOM NO. 22EL
144,100 LB. COUNTERWEIGHT
28'2" CRAWLERS EXTENDED
360 DEGREE RATING**

100 FT. BOOM, 90 FT. JIB

JIB OPER. RAD. FEET	88 DEGREE BOOM ANGLE			83 DEGREE BOOM ANGLE			80 DEGREE BOOM ANGLE			75 DEGREE BOOM ANGLE			70 DEGREE BOOM ANGLE			65 DEGREE BOOM ANGLE			60 DEGREE BOOM ANGLE			JIB OPER. RAD. FEET
	JIB ANG. DEG.	JIB POINT ELEV. FEET	LUFFING JIB CAPACITY POUNDS	JIB ANG. DEG.	JIB POINT ELEV. FEET	LUFFING JIB CAPACITY POUNDS	JIB ANG. DEG.	JIB POINT ELEV. FEET	LUFFING JIB CAPACITY POUNDS	JIB ANG. DEG.	JIB POINT ELEV. FEET	LUFFING JIB CAPACITY POUNDS	JIB ANG. DEG.	JIB POINT ELEV. FEET	LUFFING JIB CAPACITY POUNDS	JIB ANG. DEG.	JIB POINT ELEV. FEET	LUFFING JIB CAPACITY POUNDS	JIB ANG. DEG.	JIB POINT ELEV. FEET	LUFFING JIB CAPACITY POUNDS	
40	71.0	193.0	83,000* ^b																			40
45	67.6	191.2	79,000* ^b																			45
50	64.1	188.9	76,800* ^b	70.1	191.7	84,100* ^b																50
55	60.5	186.3	73,500*	66.7	189.7	80,500* ^b																55
60	56.8	183.3	70,400*	63.2	187.4	76,700 ^b	66.8	188.9	74,100 ^b													60
65	52.9	179.7	67,600*	59.6	184.7	69,300	63.3	186.6	66,900 ^b													65
70	48.8	175.7	65,000*	55.8	181.5	63,100	59.7	183.9	60,900													70
75	44.4	170.9	61,200	51.9	177.8	57,900	55.9	180.7	55,900	62.2	183.7	52,600										75
80	39.7	165.4	56,400	47.7	173.6	53,300	52.0	177.1	51,500	58.6	180.9	48,400										80
85	34.4	158.8	52,300	43.2	168.7	49,400	47.8	172.9	47,700	54.7	177.6	44,900										85
90	28.3	150.6	48,600	38.4	162.9	46,000	43.4	168.0	44,400	50.7	173.8	41,700	57.3	177.0	39,100							90
95	20.6	139.6	45,400	32.9	155.9	42,900	38.5	162.2	41,400	46.5	169.4	39,000	53.4	173.5	36,500							95
100	7.3	119.4	37,100*	26.4	147.1	40,200	33.1	155.3	38,800	41.9	164.2	36,500	49.3	169.5	34,200							100
105				18.0	134.9	37,700	26.7	146.6	36,500	36.9	158.2	34,300	45.0	164.9	32,100	51.8	168.4	30,000				105
110							18.4	134.5	34,300	31.2	150.8	32,300	40.3	159.4	30,200	47.6	164.2	28,200				110
115										24.4	141.3	30,400	35.0	152.9	28,500	43.1	159.3	26,600				115
120										15.0	127.3	28,700	29.0	145.0	26,900	38.2	153.4	25,100	45.5	157.8	23,300	120
125													21.6	134.4	25,500	32.7	146.4	23,800	40.9	152.4	22,100	125
130													9.8	116.6	24,100	26.3	137.6	22,500	35.7	146.1	20,900	130
135																17.8	125.2	21,300	29.9	138.4	19,800	135
140																			22.7	128.2	18,800	140
145																			11.9	112.2	17,800	145

S/N: 8885093

MANITOWOC ENGINEERING CO.

Division of the Manitowoc Company, Inc. Manitowoc, Wisconsin 54220



LIFTCRANE LUFFING JIB CAPACITIES

DESIGNED AND TESTED
WITH THE INTENT TO BE
THE SCOPE OF ANSI B30.5

888 SERIES 1

LUFFING JIB NO. 135 ON BOOM NO. 22EL
144,100 LB. COUNTERWEIGHT
28'2" CRAWLERS EXTENDED
360 DEGREE RATING

100 FT. BOOM, 100 FT. JIB

JIB OPER. RAD. FEET	88 DEGREE BOOM ANGLE			83 DEGREE BOOM ANGLE			80 DEGREE BOOM ANGLE			75 DEGREE BOOM ANGLE			70 DEGREE BOOM ANGLE			65 DEGREE BOOM ANGLE			60 DEGREE BOOM ANGLE			JIB OPER. RAD. FEET
	JIB ANG. DEG.	JIB POINT ELEV. FEET	LUFFING JIB CAPACI TY POUNDS	JIB ANG. DEG.	JIB POINT ELEV. FEET	LUFFING JIB CAPACI TY POUNDS	JIB ANG. DEG.	JIB POINT ELEV. FEET	LUFFING JIB CAPACI TY POUNDS	JIB ANG. DEG.	JIB POINT ELEV. FEET	LUFFING JIB CAPACI TY POUNDS	JIB ANG. DEG.	JIB POINT ELEV. FEET	LUFFING JIB CAPACI TY POUNDS	JIB ANG. DEG.	JIB POINT ELEV. FEET	LUFFING JIB CAPACI TY POUNDS	JIB ANG. DEG.	JIB POINT ELEV. FEET	LUFFING JIB CAPACI TY POUNDS	
40	73.0	203.6	77,600* ^b																			40
45	70.0	201.9	75,100* ^b																			45
50	66.9	199.9	71,600*																			50
55	63.7	197.6	68,400*	69.2	200.5	74,900* ^b																55
60	60.5	195.0	65,400*	66.1	198.4	71,600*																60
65	57.1	191.9	62,500*	62.9	196.1	68,500*	66.2	197.6	66,600													65
70	53.7	188.5	59,900*	59.6	193.3	62,800	63.0	195.2	60,600													70
75	50.0	184.5	57,500*	56.2	190.2	57,600	59.7	192.5	55,500													75
80	46.2	180.1	55,300*	52.7	186.6	53,100	56.3	189.4	51,200	62.0	192.4	48,100										80
85	42.0	174.9	52,100	49.0	182.5	49,200	52.8	185.8	47,400	58.7	189.5	44,500										85
90	37.6	168.9	48,500	45.1	177.9	45,700	49.1	181.8	44,100	55.3	186.3	41,400										90
95	32.6	161.8	45,300	40.9	172.5	42,700	45.2	177.2	41,200	51.7	182.6	38,600	57.5	185.6	36,100							95
100	26.8	153.0	42,400	36.3	166.3	40,000	41.0	171.8	38,600	48.0	178.4	36,200	54.1	182.2	33,800							100
105	19.5	141.3	39,800	31.2	158.8	37,600	36.5	165.6	36,200	44.0	173.5	34,000	50.4	178.4	31,700							105
110	7.0	120.1	33,000*	25.1	149.4	35,400	31.3	158.2	34,100	39.7	168.0	32,000	46.6	174.0	29,900	52.6	177.2	27,800				110
115				17.1	136.5	33,400	25.3	148.9	32,200	35.0	161.4	30,200	42.5	168.9	28,200	48.9	173.1	26,200				115
120							17.4	136.1	30,400	29.6	153.5	28,500	38.1	163.0	26,600	45.0	168.5	24,800				120
125										23.2	143.4	27,000	33.2	156.0	25,200	40.8	163.1	23,400	47.1	166.8	21,700	125
130										14.2	128.6	25,500	27.5	147.5	23,900	36.2	156.8	22,200	43.1	161.8	20,600	130
135													20.5	136.2	22,600	31.0	149.3	21,100	38.7	156.1	19,500	135
140													9.3	117.4	21,500	24.9	139.9	20,000	33.8	149.2	18,500	140
145																16.9	126.8	19,000	28.3	140.9	17,600	145
150																			21.5	130.2	16,700	150
155																			11.3	113.2	15,800	155

S/N: 8885093

MANITOWOC ENGINEERING CO.

Division of the Manitowoc Company, Inc. Manitowoc, Wisconsin 54220



LIFTCRANE LUFFING JIB CAPACITIES

DESIGNED AND TESTED
WITH THE INTENT TO BE
THE SCOPE OF ANSI B30.5

888 SERIES 1

LUFFING JIB NO. 135 ON BOOM NO. 22EL
144,100 LB. COUNTERWEIGHT
28'2" CRAWLERS EXTENDED
360 DEGREE RATING

100 FT. BOOM, 110 FT. JIB

JIB OPER. RAD. FEET	88 DEGREE BOOM ANGLE			83 DEGREE BOOM ANGLE			80 DEGREE BOOM ANGLE			75 DEGREE BOOM ANGLE			70 DEGREE BOOM ANGLE			65 DEGREE BOOM ANGLE			60 DEGREE BOOM ANGLE			JIB OPER. RAD. FEET
	JIB ANG. DEG.	JIB POINT ELEV. FEET	LUFFING JIB CAPACITY POUNDS	JIB ANG. DEG.	JIB POINT ELEV. FEET	LUFFING JIB CAPACITY POUNDS	JIB ANG. DEG.	JIB POINT ELEV. FEET	LUFFING JIB CAPACITY POUNDS	JIB ANG. DEG.	JIB POINT ELEV. FEET	LUFFING JIB CAPACITY POUNDS	JIB ANG. DEG.	JIB POINT ELEV. FEET	LUFFING JIB CAPACITY POUNDS	JIB ANG. DEG.	JIB POINT ELEV. FEET	LUFFING JIB CAPACITY POUNDS	JIB ANG. DEG.	JIB POINT ELEV. FEET	LUFFING JIB CAPACITY POUNDS	
40	74.6	214.0	72,700* ^b																			40
45	71.9	212.5	71,000* ^b																			45
50	69.1	210.7	68,200*																			50
55	66.3	208.6	65,500*																			55
60	63.4	206.3	62,900*	68.4	209.3	68,200*																60
65	60.4	203.6	60,300*	65.5	207.2	65,600*																65
70	57.4	200.6	57,800*	62.6	204.7	62,800	65.6	206.3	60,500													70
75	54.3	197.2	55,500*	59.7	202.0	57,500	62.7	203.9	55,500													75
80	51.0	193.4	53,400*	56.6	198.9	53,000	59.7	201.2	51,100													80
85	47.5	189.1	51,400*	53.4	195.4	49,100	56.7	198.1	47,400	61.8	201.0	44,500										85
90	43.9	184.2	48,500	50.1	191.4	45,700	53.5	194.6	44,100	58.8	198.2	41,300										90
95	40.0	178.6	45,300	46.6	187.0	42,700	50.2	190.7	41,100	55.7	195.0	38,600										95
100	35.8	172.2	42,400	42.9	181.9	40,000	46.7	186.2	38,500	52.5	191.4	36,100	57.8	194.3	33,800							100
105	31.0	164.6	39,900	38.9	176.2	37,600	43.0	181.2	36,200	49.2	187.3	33,900	54.6	191.0	31,700							105
110	25.5	155.3	37,600	34.6	169.5	35,400	39.1	175.5	34,100	45.6	182.7	32,000	51.4	187.2	29,800							110
115	18.6	143.0	35,500	29.7	161.5	33,400	34.7	168.8	32,200	41.8	177.5	30,200	47.9	182.9	28,100							115
120	6.6	120.7	27,400*	23.9	151.6	31,600	29.8	160.9	30,500	37.8	171.5	28,500	44.3	178.1	26,600	50.0	182.0	24,700				120
125				16.3	137.9	30,000	24.1	151.1	28,900	33.3	164.5	27,000	40.5	172.7	25,200	46.5	177.6	23,400				125
130							16.6	137.6	27,400	28.2	156.1	25,600	36.3	166.3	23,900	42.8	172.5	22,200				130
135										22.1	145.4	24,300	31.6	158.9	22,700	38.8	166.7	21,100	44.8	171.1	19,500	135
140										13.5	129.8	23,100	26.2	149.9	21,600	34.5	160.0	20,000	41.0	165.7	18,500	140
145													19.5	138.0	20,500	29.5	152.0	19,000	36.8	159.5	17,600	145
150													8.9	118.2	19,500	23.7	142.0	18,100	32.2	152.2	16,700	150
155																16.1	128.2	17,300	27.0	143.4	15,900	155
160																			20.5	132.0	15,200	160
165																			10.8	114.2	14,400	165

S/N: 8885093

MANITOWOC ENGINEERING CO.

Division of the Manitowoc Company, Inc. Manitowoc, Wisconsin 54220



LIFTCRANE LUFFING JIB CAPACITIES

DESIGNED AND TESTED
WITH THE INTENT TO BE
THE SCOPE OF ANSI B30.5

888 SERIES 1

LUFFING JIB NO. 135 ON BOOM NO. 22EL
144,100 LB. COUNTERWEIGHT
28'2" CRAWLERS EXTENDED
360 DEGREE RATING

100 FT. BOOM, 120 FT. JIB

JIB OPER. RAD. FEET	88 DEGREE BOOM ANGLE			83 DEGREE BOOM ANGLE			80 DEGREE BOOM ANGLE			75 DEGREE BOOM ANGLE			70 DEGREE BOOM ANGLE			65 DEGREE BOOM ANGLE			60 DEGREE BOOM ANGLE			JIB OPER. RAD. FEET
	JIB ANG. DEG.	JIB POINT ELEV. FEET	LUFFING JIB CAPACITY POUNDS	JIB ANG. DEG.	JIB POINT ELEV. FEET	LUFFING JIB CAPACITY POUNDS	JIB ANG. DEG.	JIB POINT ELEV. FEET	LUFFING JIB CAPACITY POUNDS	JIB ANG. DEG.	JIB POINT ELEV. FEET	LUFFING JIB CAPACITY POUNDS	JIB ANG. DEG.	JIB POINT ELEV. FEET	LUFFING JIB CAPACITY POUNDS	JIB ANG. DEG.	JIB POINT ELEV. FEET	LUFFING JIB CAPACITY POUNDS	JIB ANG. DEG.	JIB POINT ELEV. FEET	LUFFING JIB CAPACITY POUNDS	
40	75.9	224.3	68,600*																			40
45	73.4	222.9	65,800*																			45
50	70.9	221.3	63,100*																			50
55	68.4	219.5	60,500*																			55
60	65.8	217.4	58,100*	70.2	220.0	62,800*																60
65	63.1	215.0	55,800*	67.7	218.1	60,400*																65
70	60.4	212.3	53,500*	65.1	215.9	58,100*	67.8	217.2	60,200													70
75	57.6	209.3	51,400*	62.4	213.4	55,900*	65.2	215.1	55,200													75
80	54.7	205.9	49,300*	59.7	210.6	52,700	62.5	212.6	50,800													80
85	51.8	202.2	47,300*	56.9	207.5	48,800	59.8	209.8	47,000													85
90	48.7	198.0	45,400*	54.0	204.1	45,400	57.0	206.8	43,800	61.7	209.7	41,000										90
95	45.4	193.4	43,700*	51.0	200.3	42,400	54.1	203.3	40,800	58.9	206.9	38,200										95
100	41.9	188.1	42,100*	47.8	196.0	39,700	51.1	199.5	38,200	56.1	203.7	35,800										100
105	38.2	182.2	39,700	44.5	191.2	37,300	47.9	195.2	35,900	53.2	200.1	33,600	57.9	203.0	31,300							105
110	34.2	175.4	37,400	41.0	185.8	35,200	44.6	190.4	33,800	50.1	196.2	31,600	55.1	199.7	29,500							110
115	29.7	167.3	35,300	37.2	179.6	33,200	41.1	185.1	31,900	46.9	191.7	29,800	52.1	196.0	27,800							115
120	24.4	157.5	33,400	33.1	172.5	31,400	37.3	178.9	30,200	43.6	186.8	28,200	49.0	191.9	26,300							120
125	17.8	144.6	31,400*	28.4	164.1	29,800	33.2	171.9	28,600	40.0	181.2	26,700	45.8	187.3	24,900	50.9	190.9	23,000				125
130	6.4	121.2	24,400*	22.9	153.7	28,200	28.5	163.5	27,200	36.1	174.8	25,400	42.4	182.1	23,600	47.7	186.6	21,800				130
135				15.6	139.3	26,800	23.1	153.1	25,800	31.8	167.4	24,100	38.7	176.3	22,400	44.4	181.7	20,700				135
140							15.9	139.0	24,500				27.0	158.5	22,900	34.7	169.5	21,300	40.9	176.3	19,700	140
145													21.1	147.3	21,800	30.2	161.7	20,200	37.1	170.1	18,700	145
150													13.0	131.0	20,800	25.1	152.1	19,300	32.9	163.0	17,800	150
155																18.7	139.7	18,400	28.3	154.6	17,000	155
160																8.5	119.0	17,500	22.7	144.1	16,200	160
165																			15.4	129.6	15,400	165
170																			19.6	133.8	13,500	170
175																			10.3	115.1	12,800	175

S/N: 8885093

MANITOWOC ENGINEERING CO.

Division of the Manitowoc Company, Inc. Manitowoc, Wisconsin 54220



LIFTCRANE LUFFING JIB CAPACITIES

DESIGNED AND TESTED
WITH THE INTENT TO BE
THE SCOPE OF ANSI B30.5

888 SERIES 1

LUFFING JIB NO. 135 ON BOOM NO. 22EL
144,100 LB. COUNTERWEIGHT
28'2" CRAWLERS EXTENDED
360 DEGREE RATING

100 FT. BOOM, 130 FT. JIB

JIB OPER. RAD. FEET	88 DEGREE BOOM ANGLE			83 DEGREE BOOM ANGLE			80 DEGREE BOOM ANGLE			75 DEGREE BOOM ANGLE			70 DEGREE BOOM ANGLE			65 DEGREE BOOM ANGLE			60 DEGREE BOOM ANGLE			JIB OPER. RAD. FEET
	JIB ANG. DEG.	JIB POINT ELEV. FEET	LUFFING JIB CAPACITY POUNDS	JIB ANG. DEG.	JIB POINT ELEV. FEET	LUFFING JIB CAPACITY POUNDS	JIB ANG. DEG.	JIB POINT ELEV. FEET	LUFFING JIB CAPACITY POUNDS	JIB ANG. DEG.	JIB POINT ELEV. FEET	LUFFING JIB CAPACITY POUNDS	JIB ANG. DEG.	JIB POINT ELEV. FEET	LUFFING JIB CAPACITY POUNDS	JIB ANG. DEG.	JIB POINT ELEV. FEET	LUFFING JIB CAPACITY POUNDS	JIB ANG. DEG.	JIB POINT ELEV. FEET	LUFFING JIB CAPACITY POUNDS	
45	74.7	233.3	55,400*																			45
50	72.4	231.9	53,800*																			50
55	70.1	230.2	51,700*																			55
60	67.7	228.2	49,600*																			60
65	65.3	226.1	47,600*	69.5	228.8	51,400*																65
70	62.9	223.6	45,700*	67.1	226.8	49,400*																70
75	60.4	220.9	43,900*	64.7	224.6	47,500*	67.2	226.0	49,300*													75
80	57.8	217.9	42,100*	62.2	222.1	45,600*	64.8	223.8	47,500*													80
85	55.2	214.6	40,500*	59.7	219.3	43,900*	62.3	221.3	45,700*													85
90	52.4	211.0	38,900*	57.1	216.2	42,200*	59.8	218.5	43,500													90
95	49.6	206.9	37,400*	54.5	212.8	40,500*	57.2	215.4	40,600	61.5	218.4	38,000										95
100	46.6	202.4	36,000*	51.7	209.1	39,000*	54.5	212.0	38,000	59.0	215.5	35,500										100
105	43.5	197.5	34,700*	48.8	204.9	37,100	51.8	208.3	35,700	56.4	212.4	33,400										105
110	40.2	191.9	33,400*	45.8	200.3	35,000	48.9	204.2	33,600	53.7	208.9	31,400										110
115	36.7	185.6	32,300*	42.7	195.2	33,000	45.9	199.6	31,700	50.9	205.0	29,600	55.5	208.4	27,500							115
120	32.8	178.4	31,200*	39.3	189.4	31,200	42.8	194.4	30,000	48.0	200.7	28,000	52.8	204.8	26,000							120
125	28.5	169.9	30,200*	35.7	182.9	29,600	39.4	188.7	28,400	45.0	196.0	26,500	49.9	200.8	24,600							125
130	23.5	159.7	29,300*	31.7	175.4	28,100	35.8	182.2	27,000	41.8	190.7	25,100	47.0	196.3	23,300	51.6	199.7	21,600				130
135	17.1	146.1	28,100*	27.2	166.6	26,700	31.9	174.8	25,600	38.4	184.7	23,900	43.9	191.4	22,100	48.8	195.5	20,500				135
140	6.1	121.8	21,900*	21.9	155.6	25,400	27.4	166.0	24,400	34.6	178.0	22,700	40.6	185.9	21,100	45.8	190.9	19,400				140
145				15.0	140.7	24,200	22.1	155.1	23,200	30.6	170.2	21,600	37.1	179.7	20,000	42.6	185.7	18,500	47.4	189.2	17,000	145
150							15.3	140.4	22,100	25.9	160.9	20,600	33.3	172.6	19,100	39.2	180.0	17,600	44.3	184.3	16,100	150
155										20.3	149.1	19,700	29.0	164.3	18,200	35.6	173.4	16,800	41.0	178.9	15,400	155
160										12.4	132.1	18,700	24.1	154.3	17,400	31.6	165.9	16,000	37.6	172.8	14,600	160
165													17.9	141.3	16,600	27.1	157.0	15,200	33.8	165.8	14,000	165
170													8.2	119.7	15,800	21.8	146.0	14,600	29.6	157.7	13,300	170
175																14.8	130.9	13,900	24.8	148.0	12,700	175
180																			18.8	135.5	12,100	180
185																			9.9	116.0	11,500	185

S/N: 8885093

MANITOWOC ENGINEERING CO.

Division of the Manitowoc Company, Inc. Manitowoc, Wisconsin 54220



LIFTCRANE LUFFING JIB CAPACITIES

DESIGNED AND TESTED
WITH THE INTENT TO BE
THE SCOPE OF ANSI B30.5

888 SERIES 1

LUFFING JIB NO. 135 ON BOOM NO. 22EL
144,100 LB. COUNTERWEIGHT
28'2" CRAWLERS EXTENDED
360 DEGREE RATING

100 FT. BOOM, 140 FT. JIB

JIB OPER. RAD. FEET	88 DEGREE BOOM ANGLE			83 DEGREE BOOM ANGLE			80 DEGREE BOOM ANGLE			75 DEGREE BOOM ANGLE			70 DEGREE BOOM ANGLE			65 DEGREE BOOM ANGLE			60 DEGREE BOOM ANGLE			JIB OPER. RAD. FEET
	JIB ANG. DEG.	JIB POINT ELEV. FEET	LUFFING JIB CAPACITY POUNDS	JIB ANG. DEG.	JIB POINT ELEV. FEET	LUFFING JIB CAPACITY POUNDS	JIB ANG. DEG.	JIB POINT ELEV. FEET	LUFFING JIB CAPACITY POUNDS	JIB ANG. DEG.	JIB POINT ELEV. FEET	LUFFING JIB CAPACITY POUNDS	JIB ANG. DEG.	JIB POINT ELEV. FEET	LUFFING JIB CAPACITY POUNDS	JIB ANG. DEG.	JIB POINT ELEV. FEET	LUFFING JIB CAPACITY POUNDS	JIB ANG. DEG.	JIB POINT ELEV. FEET	LUFFING JIB CAPACITY POUNDS	
45	75.8	243.7	51,600*																			45
50	73.7	242.3	49,800*																			50
55	71.6	240.7	47,700*																			55
60	69.4	239.0	45,800*																			60
65	67.2	237.0	43,900*	71.0	239.4	47,400*																65
70	65.0	234.8	42,100*	68.8	237.6	45,500*																70
75	62.7	232.3	40,300*	66.6	235.5	43,700*																75
80	60.3	229.6	38,700*	64.4	233.3	42,000*	66.7	234.7	43,600*													80
85	58.0	226.6	37,100*	62.1	230.7	40,300*	64.4	232.5	42,000*													85
90	55.5	223.3	35,500*	59.7	228.0	38,600*	62.1	229.9	40,300*													90
95	53.0	219.7	34,100*	57.3	224.9	37,100*	59.8	227.2	38,700*													95
100	50.4	215.8	32,700*	54.9	221.5	35,500*	57.4	224.1	37,200*	61.4	227.0	35,200										100
105	47.7	211.4	31,400*	52.3	217.8	34,100*	54.9	220.8	35,400	59.1	224.2	33,000										105
110	44.8	206.7	30,100*	49.7	213.8	32,700*	52.4	217.1	33,300	56.7	221.0	31,100										110
115	41.9	201.4	28,900*	46.9	209.3	31,400*	49.8	213.0	31,400	54.2	217.6	29,300										115
120	38.7	195.5	27,800*	44.1	204.4	30,100*	47.0	208.6	29,700	51.6	213.8	27,700	55.8	217.1	25,600							120
125	35.3	188.8	26,700*	41.0	199.0	29,000*	44.2	203.7	28,100	48.9	209.7	26,200	53.3	213.5	24,200							125
130	31.6	181.3	25,700*	37.8	192.9	27,800	41.1	198.3	26,700	46.2	205.1	24,800	50.7	209.6	23,000							130
135	27.4	172.4	24,800*	34.4	186.1	26,500	37.9	192.2	25,400	43.3	200.0	23,600	48.0	205.3	21,800	52.3	208.5	20,100				135
140	22.6	161.7	24,000*	30.5	178.2	25,200	34.5	185.4	24,100	40.2	194.4	22,400	45.2	200.6	20,700	49.6	204.4	19,100				140
145	16.5	147.6	23,300*	26.2	168.9	24,000	30.7	177.6	23,000	36.9	188.2	21,300	42.2	195.3	19,700	46.9	199.9	18,100				145
150	5.9	122.3	19,500*	21.1	157.5	22,900	26.4	168.4	21,900	33.4	181.0	20,300	39.1	189.5	18,800	44.0	195.0	17,200				150
155				14.4	142.0	21,800	21.3	157.1	20,900	29.4	172.9	19,400	35.7	183.0	17,900	41.0	189.6	16,400	45.5	193.5	15,000	155
160							14.7	141.7	20,000	24.9	163.1	18,500	32.0	175.5	17,100	37.7	183.5	15,600	42.6	188.3	14,300	160
165										19.5	150.9	17,700	27.9	166.9	16,300	34.3	176.6	14,900	39.5	182.6	13,600	165
170										12.0	133.2	16,900	23.2	156.4	15,600	30.4	168.7	14,200	36.1	176.1	13,000	170
175													17.3	142.8	14,900	26.1	159.4	13,600	32.5	168.8	12,400	175
180													7.9	120.4	14,200	21.0	147.9	13,000	28.5	160.3	11,800	180
185																14.2	132.2	12,400	23.8	150.1	11,200	185
190																			18.1	137.1	10,700	190
195																			9.6	116.8	10,200	195

S/N: 8885093

MANITOWOC ENGINEERING CO.

Division of the Manitowoc Company, Inc. Manitowoc, Wisconsin 54220



LIFTCRANE LUFFING JIB CAPACITIES

DESIGNED AND TESTED
WITH THE INTENT TO BE
THE SCOPE OF ANSI B30.5

888 SERIES 1

LUFFING JIB NO. 135 ON BOOM NO. 22EL
144,100 LB. COUNTERWEIGHT
28'2" CRAWLERS EXTENDED
360 DEGREE RATING

100 FT. BOOM, 150 FT. JIB

JIB OPER. RAD. FEET	88 DEGREE BOOM ANGLE			83 DEGREE BOOM ANGLE			80 DEGREE BOOM ANGLE			75 DEGREE BOOM ANGLE			70 DEGREE BOOM ANGLE			65 DEGREE BOOM ANGLE			60 DEGREE BOOM ANGLE			JIB OPER. RAD. FEET
	JIB ANG. DEG.	JIB POINT ELEV. FEET	LUFFING JIB CAPACITY POUNDS	JIB ANG. DEG.	JIB POINT ELEV. FEET	LUFFING JIB CAPACITY POUNDS	JIB ANG. DEG.	JIB POINT ELEV. FEET	LUFFING JIB CAPACITY POUNDS	JIB ANG. DEG.	JIB POINT ELEV. FEET	LUFFING JIB CAPACITY POUNDS	JIB ANG. DEG.	JIB POINT ELEV. FEET	LUFFING JIB CAPACITY POUNDS	JIB ANG. DEG.	JIB POINT ELEV. FEET	LUFFING JIB CAPACITY POUNDS	JIB ANG. DEG.	JIB POINT ELEV. FEET	LUFFING JIB CAPACITY POUNDS	
50	74.8	252.7	46,100*																			50
55	72.8	251.3	44,200*																			55
60	70.8	249.6	42,400*																			60
65	68.8	247.8	40,700*																			65
70	66.7	245.7	38,900*	70.3	248.3	42,100*																70
75	64.6	243.5	37,300*	68.3	246.4	40,400*																75
80	62.5	241.0	35,700*	66.2	244.3	38,700*																80
85	60.3	238.3	34,200*	64.1	242.0	37,100*	66.2	243.5	38,700*													85
90	58.1	235.3	32,700*	61.9	239.4	35,600*	64.1	241.1	37,100*													90
95	55.8	232.0	31,300*	59.7	236.6	34,100*	62.0	238.6	35,600*													95
100	53.5	228.5	29,900*	57.5	233.6	32,600*	59.8	235.8	34,200*													100
105	51.1	224.6	28,600*	55.2	230.2	31,200*	57.6	232.8	32,700*	61.3	235.7	32,900										105
110	48.6	220.4	27,400*	52.9	226.6	29,900*	55.3	229.5	31,400*	59.1	232.8	30,900										110
115	46.0	215.8	26,200*	50.4	222.7	28,600*	52.9	225.8	30,000*	56.9	229.7	29,200										115
120	43.2	210.7	25,100*	47.9	218.3	27,400*	50.5	221.9	28,700*	54.6	226.3	27,600										120
125	40.4	205.1	24,100*	45.3	213.6	26,200*	48.0	217.6	27,500*	52.2	222.6	26,100	56.1	225.8	24,100							125
130	37.3	198.9	23,100*	42.5	208.4	25,100*	45.3	212.9	26,400*	49.7	218.5	24,700	53.8	222.2	22,900							130
135	34.1	191.9	22,100*	39.6	202.7	24,100*	42.6	207.7	25,200*	47.2	214.1	23,500	51.4	218.4	21,700							135
140	30.5	184.0	21,200*	36.5	196.3	23,100*	39.7	202.0	24,100	44.5	209.3	22,300	48.9	214.2	20,600	52.8	217.2	19,000				140
145	26.5	174.8	20,400*	33.2	189.1	22,100*	36.6	195.6	22,900	41.7	203.9	21,300	46.3	209.7	19,600	50.4	213.3	18,000				145
150	21.8	163.7	19,700*	29.5	180.9	21,200*	33.3	188.4	21,900	38.8	198.0	20,300	43.6	204.7	18,700	47.8	208.9	17,100				150
155	15.9	149.0	19,000*	25.3	171.2	20,400*	29.6	180.3	20,900	35.6	191.4	19,300	40.7	199.1	17,800	45.2	204.2	16,300				155
160	5.7	122.8	17,500*	20.4	159.4	19,700*	25.5	170.7	19,900	32.2	184.0	18,500	37.7	193.0	17,000	42.4	199.0	15,600	46.6	202.5	14,200	160
165				13.9	143.2	19,000*	20.6	158.9	19,100	28.4	175.4	17,600	34.5	186.1	16,200	39.5	193.2	14,800	43.9	197.6	13,500	165
170							14.2	142.9	18,200	24.1	165.3	16,900	30.9	178.3	15,500	36.4	186.8	14,200	41.1	192.1	12,900	170
175										18.9	152.6	16,100	27.0	169.3	14,800	33.1	179.6	13,500	38.1	186.1	12,300	175
180										11.6	134.2	15,400	22.4	158.4	14,200	29.4	171.4	12,900	34.9	179.3	11,700	180
185													16.7	144.3	13,500	25.2	161.7	12,400	31.4	171.7	11,200	185
190													7.6	121.1	12,900	20.3	149.7	11,800	27.5	162.8	10,700	190
195																13.8	133.4	11,300	23.0	152.2	10,200	195
200																			17.5	138.7	9,700	200
205																			9.2	117.6	9,300	205

S/N: 8885093

MANITOWOC ENGINEERING CO.

Division of the Manitowoc Company, Inc. Manitowoc, Wisconsin 54220



LIFTCRANE LUFFING JIB CAPACITIES

DESIGNED AND TESTED
WITH THE INTENT TO BE
THE SCOPE OF ANSI B30.5

888 SERIES 1

LUFFING JIB NO. 135 ON BOOM NO. 22EL
144,100 LB. COUNTERWEIGHT
28'2" CRAWLERS EXTENDED
360 DEGREE RATING

100 FT. BOOM, 160 FT. JIB

JIB OPER. RAD. FEET	88 DEGREE BOOM ANGLE			83 DEGREE BOOM ANGLE			80 DEGREE BOOM ANGLE			75 DEGREE BOOM ANGLE			70 DEGREE BOOM ANGLE			65 DEGREE BOOM ANGLE			60 DEGREE BOOM ANGLE			JIB OPER. RAD. FEET
	JIB ANG. DEG.	POINT ELEV. FEET	LUFFING JIB CAPACITY POUNDS	JIB ANG. DEG.	POINT ELEV. FEET	LUFFING JIB CAPACITY POUNDS	JIB ANG. DEG.	POINT ELEV. FEET	LUFFING JIB CAPACITY POUNDS	JIB ANG. DEG.	POINT ELEV. FEET	LUFFING JIB CAPACITY POUNDS	JIB ANG. DEG.	POINT ELEV. FEET	LUFFING JIB CAPACITY POUNDS	JIB ANG. DEG.	POINT ELEV. FEET	LUFFING JIB CAPACITY POUNDS	JIB ANG. DEG.	POINT ELEV. FEET	LUFFING JIB CAPACITY POUNDS	
50	75.8	263.0	42,500*																			50
55	73.9	261.7	40,700*																			55
60	72.1	260.2	39,000*																			60
65	70.2	258.4	37,300*																			65
70	68.3	256.6	35,700*																			70
75	66.3	254.5	34,100*	69.7	257.1	37,000*																75
80	64.3	252.2	32,600*	67.8	255.1	35,400*																80
85	62.3	249.7	31,100*	65.8	253.0	33,900*	67.8	254.3	35,300*													85
90	60.3	246.9	29,700*	63.8	250.6	32,400*	65.9	252.2	33,800*													90
95	58.2	243.9	28,300*	61.8	248.1	30,900*	63.9	249.8	32,400*													95
100	56.1	240.7	27,000*	59.8	245.3	29,500*	61.9	247.3	31,000*													100
105	53.9	237.2	25,700*	57.7	242.2	28,200*	59.8	244.5	29,600*													105
110	51.7	233.4	24,500*	55.5	238.9	26,900*	57.7	241.4	28,300*	61.3	244.4	30,300*										110
115	49.3	229.3	23,400*	53.3	235.4	25,600*	55.6	238.2	27,000*	59.2	241.5	28,800										115
120	46.9	224.8	22,300*	51.1	231.5	24,400*	53.4	234.6	25,800*	57.1	238.4	27,200										120
125	44.4	219.9	21,200*	48.7	227.3	23,300*	51.1	230.7	24,600*	54.9	235.0	25,800										125
130	41.8	214.6	20,200*	46.3	222.7	22,200*	48.8	226.5	23,400*	52.7	231.4	24,400	56.3	234.4	22,500							130
135	39.0	208.7	19,300*	43.7	217.7	21,200*	46.4	222.0	22,300*	50.4	227.4	23,200	54.2	231.0	21,400							135
140	36.1	202.2	18,400*	41.1	212.2	20,200*	43.8	217.0	21,300*	48.1	223.1	22,000	51.9	227.2	20,300							140
145	33.0	195.0	17,600*	38.3	206.2	19,200*	41.2	211.5	20,300*	45.6	218.4	20,900	49.6	223.1	19,300							145
150	29.5	186.7	16,800*	35.3	199.5	18,400*	38.4	205.5	19,400*	43.0	213.3	20,000	47.2	218.7	18,300	51.0	222.1	16,800				150
155	25.6	177.1	16,000*	32.1	192.0	17,500*	35.4	198.8	18,500*	40.3	207.7	19,000	44.7	213.9	17,500	48.7	217.9	16,000				155
160	21.1	165.6	15,300*	28.5	183.5	16,700*	32.2	191.4	17,600*	37.5	201.5	18,200	42.1	208.6	16,700	46.2	213.3	15,200				160
165	15.4	150.4	14,700*	24.5	173.4	16,000*	28.6	182.9	16,800*	34.4	194.6	17,400	39.4	202.8	15,900	43.7	208.3	14,500	47.5	211.6	13,100	165
170	5.5	123.3	14,300*	19.8	161.1	15,300*	24.7	172.9	16,100*	31.1	186.8	16,600	36.5	196.4	15,200	41.0	202.8	13,800	45.0	206.8	12,500	170
175				13.5	144.4	14,700*	19.9	160.7	15,400*	27.5	177.9	15,900	33.3	189.2	14,500	38.2	196.7	13,200	42.5	201.5	11,900	175
180							13.7	144.2	14,800*	23.3	167.4	15,200	29.9	181.1	13,900	35.2	190.0	12,600	39.7	195.8	11,400	180
185										18.3	154.2	14,500	26.1	171.7	13,300	32.0	182.5	12,000	36.8	189.5	10,800	185
190										11.2	135.2	13,900	21.7	160.4	12,700	28.4	173.9	11,500	33.7	182.4	10,300	190
195													16.2	145.8	12,100	24.4	163.9	11,000	30.4	174.4	9,900	195
200													7.4	121.8	11,600	19.6	151.5	10,500	26.6	165.2	9,400	200
205																13.3	134.6	10,000	22.3	154.2	9,000	205
210																			16.9	140.2	8,600	210
215																			9.0	118.4	8,100	215

S/N: 8885093

MANITOWOC ENGINEERING CO.

Division of the Manitowoc Company, Inc. Manitowoc, Wisconsin 54220



LIFTCRANE LUFFING JIB CAPACITIES

DESIGNED AND TESTED
WITH THE INTENT TO BE
THE SCOPE OF ANSI B30.5

888 SERIES 1

LUFFING JIB NO. 135 ON BOOM NO. 22EL
144,100 LB. COUNTERWEIGHT
28'2" CRAWLERS EXTENDED
360 DEGREE RATING

100 FT. BOOM, 170 FT. JIB

JIB OPER. RAD. FEET	88 DEGREE BOOM ANGLE			83 DEGREE BOOM ANGLE			80 DEGREE BOOM ANGLE			75 DEGREE BOOM ANGLE			70 DEGREE BOOM ANGLE			65 DEGREE BOOM ANGLE			60 DEGREE BOOM ANGLE			JIB OPER. RAD. FEET
	JIB ANG. DEG.	JIB POINT ELEV. FEET	LUFFING JIB CAPACITY POUNDS	JIB ANG. DEG.	JIB POINT ELEV. FEET	LUFFING JIB CAPACITY POUNDS	JIB ANG. DEG.	JIB POINT ELEV. FEET	LUFFING JIB CAPACITY POUNDS	JIB ANG. DEG.	JIB POINT ELEV. FEET	LUFFING JIB CAPACITY POUNDS	JIB ANG. DEG.	JIB POINT ELEV. FEET	LUFFING JIB CAPACITY POUNDS	JIB ANG. DEG.	JIB POINT ELEV. FEET	LUFFING JIB CAPACITY POUNDS	JIB ANG. DEG.	JIB POINT ELEV. FEET	LUFFING JIB CAPACITY POUNDS	
55	74.9	272.1	37,600*																			55
60	73.2	270.6	36,100*																			60
65	71.4	269.0	34,500*																			65
70	69.6	267.3	32,900*																			70
75	67.8	265.3	31,400*	70.9	267.7	34,000*																75
80	66.0	263.2	30,000*	69.1	265.9	32,600*																80
85	64.1	260.9	28,600*	67.3	263.9	31,200*																85
90	62.2	258.3	27,200*	65.5	261.7	29,800*	67.4	263.1	31,100*													90
95	60.3	255.6	25,900*	63.6	259.3	28,400*	65.5	260.9	29,700*													95
100	58.3	252.6	24,700*	61.7	256.7	27,000*	63.7	258.5	28,400*													100
105	56.3	249.4	23,400*	59.8	253.9	25,800*	61.8	255.9	27,100*													105
110	54.3	245.9	22,300*	57.8	250.9	24,500*	59.8	253.1	25,800*													110
115	52.2	242.2	21,200*	55.8	247.6	23,300*	57.9	250.1	24,600*	61.2	253.0	26,500*										115
120	50.0	238.2	20,100*	53.7	244.1	22,200*	55.9	246.9	23,400*	59.2	250.2	25,300*										120
125	47.8	233.8	19,100*	51.6	240.3	21,100*	53.8	243.3	22,300*	57.3	247.1	24,200*										125
130	45.4	229.1	18,200*	49.4	236.2	20,000*	51.7	239.5	21,200*	55.2	243.7	23,000*										130
135	43.0	223.9	17,200*	47.2	231.7	19,000*	49.5	235.4	20,100*	53.2	240.1	21,900*	56.6	243.1	21,100							135
140	40.5	218.3	16,400*	44.8	226.9	18,100*	47.2	231.0	19,100*	51.0	236.2	20,900*	54.5	239.7	20,000							140
145	37.8	212.2	15,500*	42.4	221.6	17,200*	44.9	226.2	18,200*	48.8	232.0	19,800*	52.4	236.0	19,000							145
150	35.0	205.4	14,700*	39.8	215.9	16,300*	42.5	220.9	17,200*	46.5	227.5	18,900*	50.3	232.0	18,100							150
155	31.9	197.9	14,000*	37.1	209.6	15,500*	39.9	215.2	16,400*	44.2	222.5	17,900*	48.0	227.7	17,200	51.6	230.9	15,700				155
160	28.6	189.3	13,300*	34.2	202.6	14,700*	37.2	208.9	15,500*	41.7	217.2	17,000*	45.7	223.0	16,400	49.4	226.8	14,900				160
165	24.8	179.4	12,600*	31.1	194.8	13,900*	34.3	202.0	14,700*	39.1	211.3	16,200*	43.3	217.9	15,700	47.1	222.3	14,200				165
170	20.5	167.4	11,700*	27.7	186.0	13,200*	31.2	194.2	14,000*	36.3	204.8	15,400*	40.8	212.4	15,000	44.8	217.5	13,600				170
175	14.9	151.7	11,000*	23.8	175.6	12,400*	27.8	185.4	13,300*	33.4	197.6	14,600*	38.2	206.3	14,300	42.3	212.2	12,900	46.0	215.9	11,700	175
180			10,200*	19.2	162.9	11,600*	23.9	175.0	12,400*	30.2	189.6	13,900*	35.3	199.6	13,600	39.8	206.5	12,400	43.6	210.8	11,100	180
185	5.3	123.8		13.1	145.6	10,800*	19.3	162.4	11,600*	26.6	180.3	13,100*	32.3	192.1	13,000	37.0	200.1	11,800	41.1	205.4	10,600	185
190							13.3	145.4	10,800*	22.6	169.4	12,200*	29.0	183.7	12,500	34.1	193.2	11,300	38.5	199.4	10,100	190
195										17.7	155.8	11,400*	25.3	173.9	11,900	31.0	185.3	10,800	35.7	192.8	9,600	195
200										10.9	136.2	10,600*	21.0	162.3	11,400	27.6	176.4	10,300	32.7	185.4	9,200	200
205													15.7	147.2	10,900	23.7	166.0	9,800	29.4	177.1	8,800	205
210													7.1	122.4	10,400	19.0	153.2	9,400	25.8	167.5	8,300	210
215																12.9	135.7	8,900	21.6	156.2	7,900	215
220																			16.4	141.7	7,600	220
225																			8.7	119.2	7,200	225

S/N: 8885093

MANITOWOC ENGINEERING CO.

Division of the Manitowoc Company, Inc. Manitowoc, Wisconsin 54220



LIFTCRANE LUFFING JIB CAPACITIES

DESIGNED AND TESTED
WITH THE INTENT TO BE
THE SCOPE OF ANSI B30.5

888 SERIES 1

LUFFING JIB NO. 135 ON BOOM NO. 22EL
144,100 LB. COUNTERWEIGHT
28'2" CRAWLERS EXTENDED
360 DEGREE RATING

110 FT. BOOM, 70 FT. JIB

JIB OPER. RAD. FEET	88 DEGREE BOOM ANGLE			83 DEGREE BOOM ANGLE			80 DEGREE BOOM ANGLE			75 DEGREE BOOM ANGLE			70 DEGREE BOOM ANGLE			65 DEGREE BOOM ANGLE			60 DEGREE BOOM ANGLE			JIB OPER. RAD. FEET
	JIB ANG. DEG.	JIB POINT ELEV. FEET	LUFFING JIB CAPACITY POUNDS	JIB ANG. DEG.	JIB POINT ELEV. FEET	LUFFING JIB CAPACITY POUNDS	JIB ANG. DEG.	JIB POINT ELEV. FEET	LUFFING JIB CAPACITY POUNDS	JIB ANG. DEG.	JIB POINT ELEV. FEET	LUFFING JIB CAPACITY POUNDS	JIB ANG. DEG.	JIB POINT ELEV. FEET	LUFFING JIB CAPACITY POUNDS	JIB ANG. DEG.	JIB POINT ELEV. FEET	LUFFING JIB CAPACITY POUNDS	JIB ANG. DEG.	JIB POINT ELEV. FEET	LUFFING JIB CAPACITY POUNDS	
45	61.0	179.2	97,700* ^b																			45
50	56.2	176.1	94,100* ^b																			50
55	51.1	172.4	90,300* ^b	60.6	178.0	85,900 ^b																55
60	45.7	168.0	81,500	55.8	174.9	76,800 ^b	61.2	177.4	74,000 ^b													60
65	39.6	162.6	73,700	50.7	171.1	69,400 ^b	56.5	174.3	66,800 ^b													65
70	32.7	155.7	67,100	45.2	166.6	63,200	51.4	170.7	60,800 ^b	60.6	174.7	56,900 ^b										70
75	24.1	146.5	61,400	39.1	161.1	57,900	45.9	166.3	55,800	55.8	171.6	52,200 ^b										75
80	10.1	130.2	49,700*	32.0	154.1	53,400	39.9	160.9	51,400	50.7	167.9	48,100										80
85				23.2	144.5	49,400	33.0	154.2	47,600	45.2	163.4	44,600	54.9	167.9	41,500 ^b							85
90				7.7	126.4	45,800	24.5	145.1	44,300	39.1	157.8	41,400	49.7	164.1	38,600							90
95							11.1	129.5	41,200	32.0	150.8	38,700	44.1	159.4	36,000	48.4	159.2	31,300				95
100										23.2	141.3	36,200	37.9	153.6	33,700	42.7	154.3	29,400				100
105										7.8	123.2	33,900	30.6	146.3	31,700	36.2	148.2	27,600	46.7	153.1	25,500	105
110													21.2	136.0	29,800	28.6	140.3	26,000	40.7	147.9	24,000	110
115																18.3	128.8	24,500	34.0	141.3	22,700	115
120																			25.7	132.6	21,400	120
125																			13.6	118.6	20,200	125
130																						130

110 FT. BOOM, 80 FT. JIB

JIB OPER. RAD. FEET	88 DEGREE BOOM ANGLE			83 DEGREE BOOM ANGLE			80 DEGREE BOOM ANGLE			75 DEGREE BOOM ANGLE			70 DEGREE BOOM ANGLE			65 DEGREE BOOM ANGLE			60 DEGREE BOOM ANGLE			JIB OPER. RAD. FEET
	JIB ANG. DEG.	JIB POINT ELEV. FEET	LUFFING JIB CAPACITY POUNDS	JIB ANG. DEG.	JIB POINT ELEV. FEET	LUFFING JIB CAPACITY POUNDS	JIB ANG. DEG.	JIB POINT ELEV. FEET	LUFFING JIB CAPACITY POUNDS	JIB ANG. DEG.	JIB POINT ELEV. FEET	LUFFING JIB CAPACITY POUNDS	JIB ANG. DEG.	JIB POINT ELEV. FEET	LUFFING JIB CAPACITY POUNDS	JIB ANG. DEG.	JIB POINT ELEV. FEET	LUFFING JIB CAPACITY POUNDS	JIB ANG. DEG.	JIB POINT ELEV. FEET	LUFFING JIB CAPACITY POUNDS	
45	64.9	190.4	87,600* ^b																			45
50	60.9	187.8	84,100* ^b																			50
55	56.7	184.8	80,400*	64.6	189.2	85,600 ^b																55
60	52.3	181.2	77,100*	60.5	186.6	76,500 ^b	65.1	188.6	73,600 ^b													60
65	47.6	177.0	73,500	56.3	183.5	69,100	61.1	186.0	66,500 ^b													65
70	42.6	172.0	66,900	51.9	179.9	62,900	56.9	183.0	60,500													70
75	37.0	166.0	61,400	47.2	175.7	57,700	52.5	179.5	55,500	60.5	183.4	51,800 ^b										75
80	30.5	158.6	56,600	42.1	170.6	53,200	47.9	175.3	51,200	56.3	180.3	47,800										80
85	22.5	148.5	52,400	36.4	164.5	49,300	42.8	170.4	47,400	51.9	176.7	44,200	55.5	176.6	38,200							85
90	9.5	131.1	43,300*	29.9	156.8	45,800	37.2	164.4	44,100	47.2	172.4	41,100	44.1	167.4	38,400	51.1	172.9	35,700				90
95				21.6	146.5	42,800	30.8	157.0	41,100	42.1	167.4	38,400	46.3	168.5	33,400	45.1	163.5	29,000				95
100				7.2	127.1	39,900	22.9	147.2	38,500	36.4	161.3	36,000	41.1	163.3	31,400	39.8	158.0	27,300	50.0	168.1	25,700	100
105							10.4	130.5	36,100	29.9	153.6	33,800	35.3	156.9	29,500	33.8	151.3	24,300	45.1	163.5	21,400	105
110										21.6	143.3	31,700	28.6	148.9	27,800	26.7	142.8	22,900	39.8	158.0	21,700	110
115										7.3	123.9	29,800	19.8	137.8	26,200	17.1	130.3	21,700	31.7	144.3	20,000	115
120																			24.1	134.8	18,900	120
125																			12.7	119.8	17,900	125
130																						130
135																						135
140																						140

S/N: 8885093

MANITOWOC ENGINEERING CO.

Division of the Manitowoc Company, Inc. Manitowoc, Wisconsin 54220



LIFTCRANE LUFFING JIB CAPACITIES

DESIGNED AND TESTED
WITH THE INTENT TO BE
THE SCOPE OF ANSI B30.5

888 SERIES 1

**LUFFING JIB NO. 135 ON BOOM NO. 22EL
144,100 LB. COUNTERWEIGHT
28'2" CRAWLERS EXTENDED
360 DEGREE RATING**

110 FT. BOOM, 90 FT. JIB

JIB OPER. RAD. FEET	88 DEGREE BOOM ANGLE			83 DEGREE BOOM ANGLE			80 DEGREE BOOM ANGLE			75 DEGREE BOOM ANGLE			70 DEGREE BOOM ANGLE			65 DEGREE BOOM ANGLE			60 DEGREE BOOM ANGLE			JIB OPER. RAD. FEET
	JIB ANG. DEG.	JIB POINT ELEV. FEET	LUFFING JIB CAPACI TY POUNDS	JIB ANG. DEG.	JIB POINT ELEV. FEET	LUFFING JIB CAPACI TY POUNDS	JIB ANG. DEG.	JIB POINT ELEV. FEET	LUFFING JIB CAPACI TY POUNDS	JIB ANG. DEG.	JIB POINT ELEV. FEET	LUFFING JIB CAPACI TY POUNDS	JIB ANG. DEG.	JIB POINT ELEV. FEET	LUFFING JIB CAPACI TY POUNDS	JIB ANG. DEG.	JIB POINT ELEV. FEET	LUFFING JIB CAPACI TY POUNDS	JIB ANG. DEG.	JIB POINT ELEV. FEET	LUFFING JIB CAPACI TY POUNDS	
45	67.9	201.3	80,300* ^b																			45
50	64.4	199.1	76,700* ^b																			50
55	60.8	196.5	73,400* ^b	67.6	200.2	81,000* ^b																55
60	57.1	193.5	70,400* ^b	64.1	197.9	76,300 ^b	68.0	199.5	73,400 ^b													60
65	53.2	190.0	67,600* ^b	60.5	195.3	68,900	64.5	197.3	66,300 ^b													65
70	49.1	186.0	65,100* ^b	56.7	192.2	62,800	61.0	194.7	60,300													70
75	44.8	181.3	61,300	52.8	188.7	57,500	57.3	191.7	55,300													75
80	40.0	175.8	56,500	48.7	184.6	53,000	53.4	188.2	51,000	60.5	192.0	47,500										80
85	34.8	169.3	52,400	44.3	179.9	49,100	49.3	184.2	47,200	56.7	189.0	44,000										85
90	28.7	161.2	48,700	39.6	174.3	45,700	45.0	179.6	43,900	52.8	185.5	40,900										90
95	21.2	150.5	45,500	34.3	167.7	42,700	40.3	174.2	41,000	48.7	181.4	38,200	56.0	185.3	35,400							95
100	8.9	131.9	38,600* ^b	28.1	159.4	40,000	35.0	167.7	38,400	44.4	176.7	35,800	52.1	181.7	33,200							100
105				20.4	148.3	37,500	29.0	159.7	36,100	39.6	171.1	33,600	48.0	177.5	31,100							105
110				6.8	127.7	35,300	21.6	149.1	34,000	34.3	164.4	31,600	43.5	172.6	29,300	51.1	176.9	27,000				110
115							9.8	131.3	32,000	28.1	156.2	29,800	38.7	166.9	27,600	46.9	172.5	25,500				115
120										20.4	145.1	28,200	33.3	160.0	26,100	42.4	167.5	24,100				120
125										6.9	124.5	26,600	26.9	151.4	24,700	37.4	161.5	22,800	45.5	166.4	20,900	125
130													18.7	139.5	23,400	31.8	154.3	21,600	40.9	161.1	19,800	130
135																25.1	145.1	20,500	35.7	154.8	18,700	135
140																16.1	131.8	19,400	29.9	147.0	17,800	140
145																			22.7	136.9	16,900	145
150																			11.9	120.8	16,000	150

S/N: 8885093

MANITOWOC ENGINEERING CO.

Division of the Manitowoc Company, Inc. Manitowoc, Wisconsin 54220



LIFTCRANE LUFFING JIB CAPACITIES

DESIGNED AND TESTED
WITH THE INTENT TO BE
THE SCOPE OF ANSI B30.5

888 SERIES 1

**LUFFING JIB NO. 135 ON BOOM NO. 22EL
144,100 LB. COUNTERWEIGHT
28'2" CRAWLERS EXTENDED
360 DEGREE RATING**

110 FT. BOOM, 100 FT. JIB

JIB OPER. RAD. FEET	88 DEGREE BOOM ANGLE			83 DEGREE BOOM ANGLE			80 DEGREE BOOM ANGLE			75 DEGREE BOOM ANGLE			70 DEGREE BOOM ANGLE			65 DEGREE BOOM ANGLE			60 DEGREE BOOM ANGLE			JIB OPER. RAD. FEET
	JIB ANG. DEG.	JIB POINT ELEV. FEET	LUFFING JIB CAPACITY POUNDS	JIB ANG. DEG.	JIB POINT ELEV. FEET	LUFFING JIB CAPACITY POUNDS	JIB ANG. DEG.	JIB POINT ELEV. FEET	LUFFING JIB CAPACITY POUNDS	JIB ANG. DEG.	JIB POINT ELEV. FEET	LUFFING JIB CAPACITY POUNDS	JIB ANG. DEG.	JIB POINT ELEV. FEET	LUFFING JIB CAPACITY POUNDS	JIB ANG. DEG.	JIB POINT ELEV. FEET	LUFFING JIB CAPACITY POUNDS	JIB ANG. DEG.	JIB POINT ELEV. FEET	LUFFING JIB CAPACITY POUNDS	
45	70.2	212.0	75,000* ^b																			45
50	67.1	210.0	71,600* ^b																			50
55	64.0	207.8	68,400* ^b	69.9	210.9	75,400* ^b																55
60	60.7	205.1	65,400*	66.8	208.9	72,200* ^b																60
65	57.4	202.1	62,600*	63.7	206.6	68,600	67.2	208.2	65,900 ^b													65
70	53.9	198.7	60,000*	60.4	203.9	62,500	64.1	206.0	60,000													70
75	50.3	194.8	57,600*	57.1	200.9	57,200	60.9	203.4	55,000													75
80	46.4	190.4	55,400*	53.6	197.5	52,800	57.5	200.4	50,600													80
85	42.3	185.3	52,200	49.9	193.5	48,900	54.1	197.0	46,900	60.4	200.7	43,600										85
90	37.9	179.3	48,500	46.1	189.0	45,500	50.4	193.1	43,600	57.1	197.7	40,600										90
95	33.0	172.3	45,300	42.0	183.8	42,500	46.6	188.7	40,700	53.6	194.2	37,900										95
100	27.2	163.7	42,500	37.5	177.8	39,800	42.5	183.6	38,100	49.9	190.3	35,400	56.5	194.0	32,800							100
105	20.1	152.3	39,900	32.5	170.7	37,400	38.1	177.7	35,800	46.1	185.8	33,300	52.9	190.5	30,800							105
110	8.5	132.6	34,500*	26.7	161.9	35,200	33.2	170.8	33,700	42.0	180.6	31,300	49.3	186.4	28,900							110
115				19.3	150.1	33,200	27.5	162.2	31,800	37.5	174.6	29,600	45.4	181.8	27,300	52.1	185.7	25,100				115
120				6.5	128.3	31,300	20.5	151.0	30,100	32.5	167.4	27,900	41.2	176.5	25,800	48.3	181.5	23,700				120
125							9.3	132.2	28,400	26.7	158.6	26,400	36.6	170.3	24,400	44.4	176.8	22,400				125
130										19.3	146.9	25,000	31.5	162.9	23,100	40.1	171.2	21,200	47.1	175.5	19,400	130
135										6.5	125.1	23,700	25.5	153.7	21,900	35.4	164.8	20,100	43.1	170.5	18,400	135
140													17.7	141.1	20,800	30.1	157.0	19,100	38.7	164.7	17,400	140
145																23.8	147.2	18,200	33.8	157.9	16,600	145
150																15.3	133.1	17,200	28.3	149.6	15,700	150
155																			21.5	138.8	14,900	155
160																			11.3	121.9	14,200	160

S/N: 8885093

MANITOWOC ENGINEERING CO.

Division of the Manitowoc Company, Inc. Manitowoc, Wisconsin 54220



LIFTCRANE LUFFING JIB CAPACITIES

DESIGNED AND TESTED
WITH THE INTENT TO BE
THE SCOPE OF ANSI B30.5

888 SERIES 1

LUFFING JIB NO. 135 ON BOOM NO. 22EL
144,100 LB. COUNTERWEIGHT
28'2" CRAWLERS EXTENDED
360 DEGREE RATING

110 FT. BOOM, 110 FT. JIB

JIB OPER. RAD. FEET	88 DEGREE BOOM ANGLE			83 DEGREE BOOM ANGLE			80 DEGREE BOOM ANGLE			75 DEGREE BOOM ANGLE			70 DEGREE BOOM ANGLE			65 DEGREE BOOM ANGLE			60 DEGREE BOOM ANGLE			JIB OPER. RAD. FEET
	JIB ANG. DEG.	JIB POINT ELEV. FEET	LUFFING JIB CAPACITY POUNDS	JIB ANG. DEG.	JIB POINT ELEV. FEET	LUFFING JIB CAPACITY POUNDS	JIB ANG. DEG.	JIB POINT ELEV. FEET	LUFFING JIB CAPACITY POUNDS	JIB ANG. DEG.	JIB POINT ELEV. FEET	LUFFING JIB CAPACITY POUNDS	JIB ANG. DEG.	JIB POINT ELEV. FEET	LUFFING JIB CAPACITY POUNDS	JIB ANG. DEG.	JIB POINT ELEV. FEET	LUFFING JIB CAPACITY POUNDS	JIB ANG. DEG.	JIB POINT ELEV. FEET	LUFFING JIB CAPACITY POUNDS	
45	72.0	222.6	70,700* ^b																			45
50	69.3	220.8	67,900* ^b																			50
55	66.5	218.8	65,300*																			55
60	63.6	216.5	62,800*	69.0	219.7	68,400* ^b																60
65	60.7	213.8	60,300*	66.2	217.6	65,900*																65
70	57.6	210.8	57,900*	63.3	215.3	62,400	66.6	217.0	59,900													70
75	54.5	207.5	55,600*	60.4	212.6	57,200	63.7	214.6	54,900													75
80	51.2	203.7	53,500*	57.3	209.6	52,700	60.8	212.0	50,600													80
85	47.8	199.4	51,500*	54.2	206.2	48,800	57.8	209.0	46,900													85
90	44.2	194.6	48,500	50.9	202.4	45,400	54.6	205.7	43,600	60.4	209.4	40,500										90
95	40.3	189.0	45,300	47.5	198.0	42,400	51.4	201.9	40,700	57.3	206.3	37,800										95
100	36.1	182.7	42,500	43.8	193.1	39,800	47.9	197.7	38,100	54.2	202.9	35,400										100
105	31.4	175.2	39,900	39.9	187.6	37,400	44.3	192.9	35,800	50.9	199.1	33,300	56.8	202.7	30,700							105
110	25.9	166.1	37,600	35.7	181.1	35,200	40.5	187.4	33,700	47.5	194.8	31,300	53.6	199.2	28,900							110
115	19.2	154.0	35,500	30.9	173.5	33,200	36.3	181.1	31,900	43.8	189.9	29,500	50.3	195.3	27,300							115
120	8.1	133.4	29,200*	25.4	164.2	31,400	31.6	173.7	30,100	39.9	184.3	27,900	46.8	190.9	25,800	52.8	194.5	23,700				120
125				18.4	151.7	29,800	26.2	164.6	28,500	35.7	177.9	26,500	43.1	185.9	24,400	49.5	190.4	22,400				125
130				6.2	128.8	28,200	19.5	152.7	27,100	30.9	170.3	25,100	39.2	180.2	23,100	46.0	185.9	21,200				130
135							8.9	133.0	25,700	25.4	160.9	23,800	34.9	173.5	22,000	42.2	180.7	20,100				135
140										18.4	148.5	22,700	30.0	165.7	20,900	38.2	174.8	19,100	44.8	179.7	17,400	140
145										6.2	125.6	21,500	24.3	155.9	19,900	33.7	167.9	18,200	41.0	174.3	16,500	145
150													16.9	142.6	18,900	28.7	159.7	17,300	36.8	168.1	15,700	150
155																22.7	149.3	16,500	32.2	160.9	15,000	155
160																14.5	134.4	15,700	27.0	152.1	14,300	160
165																			20.5	140.7	13,600	165
170																			10.8	122.8	12,900	170

S/N: 8885093

MANITOWOC ENGINEERING CO.

Division of the Manitowoc Company, Inc. Manitowoc, Wisconsin 54220



LIFTCRANE LUFFING JIB CAPACITIES

DESIGNED AND TESTED
WITH THE INTENT TO BE
THE SCOPE OF ANSI B30.5

888 SERIES 1

LUFFING JIB NO. 135 ON BOOM NO. 22EL
144,100 LB. COUNTERWEIGHT
28'2" CRAWLERS EXTENDED
360 DEGREE RATING

110 FT. BOOM, 120 FT. JIB

JIB OPER. RAD. FEET	88 DEGREE BOOM ANGLE			83 DEGREE BOOM ANGLE			80 DEGREE BOOM ANGLE			75 DEGREE BOOM ANGLE			70 DEGREE BOOM ANGLE			65 DEGREE BOOM ANGLE			60 DEGREE BOOM ANGLE			JIB OPER. RAD. FEET
	JIB ANG. DEG.	JIB POINT ELEV. FEET	LUFFING JIB CAPACITY POUNDS	JIB ANG. DEG.	JIB POINT ELEV. FEET	LUFFING JIB CAPACITY POUNDS	JIB ANG. DEG.	JIB POINT ELEV. FEET	LUFFING JIB CAPACITY POUNDS	JIB ANG. DEG.	JIB POINT ELEV. FEET	LUFFING JIB CAPACITY POUNDS	JIB ANG. DEG.	JIB POINT ELEV. FEET	LUFFING JIB CAPACITY POUNDS	JIB ANG. DEG.	JIB POINT ELEV. FEET	LUFFING JIB CAPACITY POUNDS	JIB ANG. DEG.	JIB POINT ELEV. FEET	LUFFING JIB CAPACITY POUNDS	
45	73.6	233.0	58,600*																			45
50	71.1	231.4	57,400*																			50
55	68.5	229.6	55,700*																			55
60	65.9	227.5	53,500*	70.9	230.3	58,100*																60
65	63.3	225.1	51,300*	68.3	228.5	55,900*																65
70	60.6	222.5	49,200*	65.7	226.4	53,800*																70
75	57.8	219.5	47,300*	63.1	224.0	51,600*	66.1	225.7	54,000*													75
80	55.0	216.2	45,400*	60.4	221.3	49,600*	63.4	223.3	50,300													80
85	52.0	212.5	43,600*	57.6	218.3	47,600*	60.7	220.7	46,500													85
90	48.9	208.3	42,000*	54.7	214.9	45,200	57.9	217.7	43,300													90
95	45.6	203.7	40,400*	51.7	211.2	42,200	55.1	214.4	40,400	60.4	218.0	37,500										95
100	42.2	198.5	39,000*	48.6	207.0	39,500	52.1	210.7	37,800	57.6	215.0	35,100										100
105	38.5	192.6	37,700*	45.3	202.3	37,100	49.0	206.6	35,500	54.7	211.7	32,900										105
110	34.5	185.9	36,400*	41.9	197.1	34,900	45.8	202.0	33,400	51.7	207.9	31,000	57.1	211.4	28,500							110
115	30.0	177.9	35,300*	38.2	191.1	33,000	42.4	196.8	31,600	48.6	203.8	29,200	54.2	207.9	26,900							115
120	24.8	168.3	33,500	34.1	184.3	31,200	38.7	191.0	29,900	45.3	199.1	27,600	51.2	204.1	25,400							120
125	18.3	155.7	31,700	29.6	176.2	29,600	34.7	184.3	28,300	41.9	193.8	26,200	48.0	199.9	24,000							125
130	7.7	134.0	26,100*	24.3	166.4	28,100	30.2	176.4	26,800	38.2	187.9	24,800	44.7	195.1	22,800	50.4	199.3	20,800				130
135				17.6	153.3	26,700	25.1	166.9	25,500	34.1	181.0	23,600	41.2	189.7	21,600	47.2	194.9	19,800				135
140				5.9	129.3	25,300	18.7	154.4	24,300	29.6	173.0	22,400	37.5	183.6	20,600	43.9	190.0	18,800				140
145							8.5	133.7	23,100	24.3	163.1	21,300	33.3	176.6	19,600	40.3	184.5	17,800	46.2	188.8	16,200	145
150										17.6	150.1	20,300	28.7	168.3	18,600	36.5	178.2	17,000	42.8	183.7	15,400	150
155										5.9	126.1	19,300	23.2	158.0	17,800	32.3	170.9	16,200	39.2	178.0	14,600	155
160													16.2	144.0	16,900	27.5	162.2	15,400	35.2	171.4	13,900	160
165																21.7	151.2	14,700	30.8	163.7	13,300	165
170																13.9	135.7	14,000	25.8	154.4	12,600	170
175																			19.6	142.4	12,000	175
180																			10.3	123.7	11,400	180

S/N: 8885093

MANITOWOC ENGINEERING CO.

Division of the Manitowoc Company, Inc. Manitowoc, Wisconsin 54220



LIFTCRANE LUFFING JIB CAPACITIES

DESIGNED AND TESTED
WITH THE INTENT TO BE
THE SCOPE OF ANSI B30.5

888 SERIES 1

LUFFING JIB NO. 135 ON BOOM NO. 22EL
144,100 LB. COUNTERWEIGHT
28'2" CRAWLERS EXTENDED
360 DEGREE RATING

110 FT. BOOM, 130 FT. JIB

JIB OPER. RAD. FEET	88 DEGREE BOOM ANGLE			83 DEGREE BOOM ANGLE			80 DEGREE BOOM ANGLE			75 DEGREE BOOM ANGLE			70 DEGREE BOOM ANGLE			65 DEGREE BOOM ANGLE			60 DEGREE BOOM ANGLE			JIB OPER. RAD. FEET	
	JIB ANG. DEG.	JIB POINT ELEV. FEET	LUFFING JIB CAPACITY POUNDS	JIB ANG. DEG.	JIB POINT ELEV. FEET	LUFFING JIB CAPACITY POUNDS	JIB ANG. DEG.	JIB POINT ELEV. FEET	LUFFING JIB CAPACITY POUNDS	JIB ANG. DEG.	JIB POINT ELEV. FEET	LUFFING JIB CAPACITY POUNDS	JIB ANG. DEG.	JIB POINT ELEV. FEET	LUFFING JIB CAPACITY POUNDS	JIB ANG. DEG.	JIB POINT ELEV. FEET	LUFFING JIB CAPACITY POUNDS	JIB ANG. DEG.	JIB POINT ELEV. FEET	LUFFING JIB CAPACITY POUNDS		
45	74.9	243.4	54,800*																			45	
50	72.6	242.0	53,700*																			50	
55	70.3	240.3	51,600*																			55	
60	67.9	238.4	49,500*																			60	
65	65.5	236.2	47,600*	70.0	239.2	51,600*																65	
70	63.1	233.8	45,700*	67.7	237.2	49,700*																70	
75	60.6	231.1	43,900*	65.3	235.1	47,800*	68.0	236.5	49,800*													75	
80	58.0	228.2	42,200*	62.8	232.6	46,000*	65.6	234.4	48,000*													80	
85	55.4	224.9	40,600*	60.3	229.9	44,200*	63.2	232.0	46,200*													85	
90	52.6	221.2	39,000*	57.8	226.9	42,600*	60.7	229.3	43,000													90	
95	49.8	217.2	37,500*	55.1	223.6	40,900*	58.1	226.4	40,100	62.8	229.4	37,200										95	
100	46.8	212.8	36,100*	52.4	219.9	39,300	55.5	223.1	37,600	60.3	226.7	34,800										100	
105	43.7	207.8	34,800*	49.5	215.9	36,900	52.8	219.5	35,300	57.8	223.7	32,700										105	
110	40.5	202.3	33,500*	46.6	211.4	34,700	49.9	215.5	33,200	55.1	220.4	30,700										110	
115	36.9	196.0	32,400*	43.5	206.4	32,800	47.0	211.1	31,400	52.4	216.7	29,000	57.3	220.0	26,600							115	
120	33.1	188.9	31,300*	40.2	200.8	31,000	43.9	206.1	29,700	49.5	212.7	27,400	54.6	216.7	25,100							120	
125	28.8	180.6	30,300*	36.6	194.5	29,400	40.6	200.6	28,100	46.6	208.2	25,900	51.9	212.9	23,800							125	
130	23.8	170.5	29,400*	32.7	187.3	27,900	37.1	194.4	26,700	43.5	203.2	24,600	49.0	208.8	22,500							130	
135	17.6	157.2	28,500	28.4	178.8	26,500	33.3	187.3	25,300	40.2	197.6	23,300	46.0	204.2	21,400	51.2	208.1	19,500				135	
140	7.4	134.7	23,300*	23.3	168.5	25,200	29.0	179.1	24,100	36.6	191.3	22,200	42.9	199.1	20,300	48.3	203.9	18,500				140	
145				16.9	154.8	24,000	24.1	169.1	23,000	32.7	184.0	21,100	39.5	193.4	19,300	45.3	199.2	17,600				145	
150				5.7	129.8	22,900	17.9	156.0	21,900	28.4	175.6	20,200	35.9	187.0	18,400	42.1	193.9	16,700	47.4	197.8	15,100	150	
155							8.2	134.5	20,800	23.3	165.3	19,200	32.0	179.5	17,600	38.7	188.1	15,900	44.3	193.0	14,400	155	
160										16.9	151.6	18,300	27.5	170.8	16,800	35.0	181.4	15,200	41.0	187.6	13,700	160	
165										5.7	126.7	17,500	22.3	160.0	16,000	31.0	173.7	14,500	37.6	181.5	13,000	165	
170													15.5	145.4	15,300	26.4	164.6	13,800	33.8	174.5	12,400	170	
175																20.9	153.1	13,200	29.6	166.4	11,800	175	
180																13.4	136.9	12,600	24.8	156.6	11,300	180	
185																		18.8	144.1	10,700	18.8	144.1	185
190																		9.9	124.6	10,200	9.9	124.6	190

S/N: 8885093

MANITOWOC ENGINEERING CO.

Division of the Manitowoc Company, Inc. Manitowoc, Wisconsin 54220



LIFTCRANE LUFFING JIB CAPACITIES

DESIGNED AND TESTED
WITH THE INTENT TO BE
THE SCOPE OF ANSI B30.5

888 SERIES 1

LUFFING JIB NO. 135 ON BOOM NO. 22EL
144,100 LB. COUNTERWEIGHT
28'2" CRAWLERS EXTENDED
360 DEGREE RATING

110 FT. BOOM, 140 FT. JIB

JIB OPER. RAD. FEET	88 DEGREE BOOM ANGLE			83 DEGREE BOOM ANGLE			80 DEGREE BOOM ANGLE			75 DEGREE BOOM ANGLE			70 DEGREE BOOM ANGLE			65 DEGREE BOOM ANGLE			60 DEGREE BOOM ANGLE			JIB OPER. RAD. FEET
	JIB ANG. DEG.	JIB POINT ELEV. FEET	LUFFING JIB CAPACITY POUNDS	JIB ANG. DEG.	JIB POINT ELEV. FEET	LUFFING JIB CAPACITY POUNDS	JIB ANG. DEG.	JIB POINT ELEV. FEET	LUFFING JIB CAPACITY POUNDS	JIB ANG. DEG.	JIB POINT ELEV. FEET	LUFFING JIB CAPACITY POUNDS	JIB ANG. DEG.	JIB POINT ELEV. FEET	LUFFING JIB CAPACITY POUNDS	JIB ANG. DEG.	JIB POINT ELEV. FEET	LUFFING JIB CAPACITY POUNDS	JIB ANG. DEG.	JIB POINT ELEV. FEET	LUFFING JIB CAPACITY POUNDS	
45	76.0	253.8	51,100*																			45
50	73.9	252.4	49,600*																			50
55	71.7	250.9	47,600*																			55
60	69.6	249.1	45,700*																			60
65	67.4	247.1	43,900*																			65
70	65.1	244.9	42,100*	69.4	248.0	45,800*																70
75	62.8	242.5	40,400*	67.2	246.0	44,000*																75
80	60.5	239.8	38,700*	64.9	243.8	42,300*	67.5	245.3	44,100*													80
85	58.1	236.8	37,100*	62.6	241.3	40,600*	65.2	243.1	42,400*													85
90	55.7	233.6	35,600*	60.3	238.6	39,000*	62.9	240.7	40,800*													90
95	53.2	230.0	34,200*	57.9	235.6	37,400*	60.6	238.0	39,200*													95
100	50.6	226.1	32,800*	55.5	232.3	35,900*	58.2	235.0	37,300	62.6	238.1	34,400										100
105	47.9	221.8	31,500*	52.9	228.7	34,500*	55.8	231.8	35,000	60.3	235.4	32,300										105
110	45.0	217.0	30,200*	50.3	224.7	33,100*	53.3	228.2	32,900	57.9	232.4	30,400										110
115	42.1	211.7	29,000*	47.6	220.4	31,700*	50.7	224.3	31,000	55.5	229.1	28,600										115
120	38.9	205.9	27,900*	44.8	215.6	30,500*	48.0	220.0	29,300	52.9	225.5	27,000	57.5	228.7	24,800							120
125	35.5	199.3	26,800*	41.8	210.3	29,100	45.2	215.3	27,800	50.3	221.5	25,600	55.0	225.4	23,400							125
130	31.9	191.8	25,800*	38.6	204.4	27,600	42.2	210.1	26,400	47.6	217.2	24,300	52.5	221.7	22,200							130
135	27.7	183.1	24,900*	35.2	197.7	26,300	39.1	204.3	25,000	44.8	212.4	23,000	49.9	217.7	21,000							135
140	23.0	172.5	24,100*	31.5	190.1	25,000	35.7	197.7	23,800	41.8	207.1	21,900	47.1	213.3	20,000	51.9	216.9	18,100				140
145	17.0	158.8	23,400*	27.3	181.3	23,800	32.0	190.3	22,700	38.6	201.2	20,800	44.3	208.4	19,000	49.2	212.8	17,200				145
150	7.1	135.3	20,800*	22.5	170.5	22,700	27.9	181.6	21,600	35.2	194.5	19,900	41.2	203.0	18,100	46.4	208.3	16,400				150
155				16.3	156.3	21,700	23.2	171.2	20,600	31.5	186.9	18,900	38.0	196.9	17,200	43.5	203.3	15,600				155
160				5.5	130.3	20,600	17.3	157.6	19,700	27.3	178.0	18,100	34.6	190.1	16,400	40.5	197.7	14,800	45.5	202.1	13,300	160
165							7.9	135.2	18,800	22.5	167.3	17,300	30.8	182.3	15,700	37.2	191.5	14,100	42.6	197.0	12,600	165
170										16.3	153.1	16,500	26.5	173.2	15,000	33.7	184.5	13,500	39.5	191.2	12,000	170
175										5.5	127.1	15,700	21.5	162.0	14,300	29.8	176.4	12,900	36.1	184.8	11,500	175
180													14.9	146.8	13,600	25.4	166.9	12,300	32.5	177.5	10,900	180
185																20.1	154.9	11,700	28.5	169.0	10,400	185
190																12.9	138.0	11,200	23.8	158.8	9,900	190
195																			18.1	145.8	9,500	195
200																			9.6	125.5	9,000	200

S/N: 8885093

MANITOWOC ENGINEERING CO.

Division of the Manitowoc Company, Inc. Manitowoc, Wisconsin 54220



LIFTCRANE LUFFING JIB CAPACITIES

DESIGNED AND TESTED
WITH THE INTENT TO BE
THE SCOPE OF ANSI B30.5

888 SERIES 1

**LUFFING JIB NO. 135 ON BOOM NO. 22EL
144,100 LB. COUNTERWEIGHT
28'2" CRAWLERS EXTENDED
360 DEGREE RATING**

110 FT. BOOM, 150 FT. JIB

JIB OPER. RAD. FEET	88 DEGREE BOOM ANGLE			83 DEGREE BOOM ANGLE			80 DEGREE BOOM ANGLE			75 DEGREE BOOM ANGLE			70 DEGREE BOOM ANGLE			65 DEGREE BOOM ANGLE			60 DEGREE BOOM ANGLE			JIB OPER. RAD. FEET
	JIB ANG. DEG.	JIB POINT ELEV. FEET	LUFFING JIB CAPACITY POUNDS	JIB ANG. DEG.	JIB POINT ELEV. FEET	LUFFING JIB CAPACITY POUNDS	JIB ANG. DEG.	JIB POINT ELEV. FEET	LUFFING JIB CAPACITY POUNDS	JIB ANG. DEG.	JIB POINT ELEV. FEET	LUFFING JIB CAPACITY POUNDS	JIB ANG. DEG.	JIB POINT ELEV. FEET	LUFFING JIB CAPACITY POUNDS	JIB ANG. DEG.	JIB POINT ELEV. FEET	LUFFING JIB CAPACITY POUNDS	JIB ANG. DEG.	JIB POINT ELEV. FEET	LUFFING JIB CAPACITY POUNDS	
50	75.0	262.8	45,900*																			50
55	73.0	261.4	44,100*																			55
60	71.0	259.7	42,300*																			60
65	68.9	257.9	40,600*																			65
70	66.9	255.9	38,900*	70.8	258.6	42,300*																70
75	64.8	253.6	37,300*	68.8	256.8	40,600*																75
80	62.7	251.2	35,700*	66.7	254.7	39,000*																80
85	60.5	248.4	34,200*	64.6	252.5	37,500*	67.0	254.1	39,100*													85
90	58.3	245.5	32,800*	62.5	250.0	35,900*	64.9	251.8	37,600*													90
95	56.0	242.3	31,400*	60.3	247.2	34,400*	62.7	249.4	36,100*													95
100	53.6	238.7	30,000*	58.1	244.3	33,000*	60.6	246.7	34,600*													100
105	51.2	234.9	28,700*	55.8	241.0	31,600*	58.4	243.7	33,200*	62.5	246.7	32,200										105
110	48.7	230.7	27,500*	53.4	237.5	30,200*	56.1	240.5	31,800*	60.3	244.0	30,300										110
115	46.2	226.1	26,300*	51.0	233.6	28,900*	53.8	237.0	30,500*	58.1	241.0	28,500										115
120	43.4	221.1	25,200*	48.5	229.3	27,700*	51.4	233.2	29,200*	55.8	237.8	26,900										120
125	40.6	215.5	24,200*	45.9	224.7	26,500*	48.9	229.0	27,700	53.4	234.2	25,500	57.6	237.4	23,300							125
130	37.6	209.4	23,200*	43.2	219.6	25,400*	46.3	224.4	26,300	51.0	230.3	24,200	55.4	234.1	22,100							130
135	34.3	202.5	22,200*	40.3	214.0	24,400*	43.6	219.4	25,000	48.5	226.1	22,900	53.0	230.5	20,900							135
140	30.7	194.6	21,300*	37.3	207.8	23,300*	40.7	213.9	23,800	45.9	221.5	21,800	50.6	226.5	19,900							140
145	26.8	185.5	20,500*	34.0	200.8	22,400*	37.7	207.7	22,600	43.2	216.4	20,800	48.1	222.2	18,900	52.4	225.7	17,100				145
150	22.2	174.5	19,700*	30.4	192.9	21,500*	34.5	200.9	21,600	40.3	210.8	19,800	45.4	217.5	18,000	50.0	221.7	16,300				150
155	16.4	160.2	19,100*	26.4	183.7	20,700*	30.9	193.1	20,600	37.3	204.6	18,900	42.7	212.4	17,200	47.4	217.3	15,500				155
160	6.9	136.0	18,600*	21.7	172.5	19,900*	27.0	184.0	19,700	34.0	197.6	18,000	39.8	206.7	16,400	44.8	212.5	14,700				160
165				15.8	157.7	19,200*	22.4	173.2	18,800	30.4	189.7	17,200	36.7	200.3	15,600	42.0	207.2	14,100	46.6	211.2	12,600	165
170				5.3	130.8	18,800*	16.7	159.1	18,000	26.4	180.4	16,400	33.4	193.2	14,900	39.1	201.3	13,400	43.9	206.2	12,000	170
175							7.6	135.8	17,200	21.7	169.2	15,700	29.7	185.0	14,300	35.9	194.8	12,800	41.1	200.8	11,400	175
180										15.8	154.5	15,000	25.6	175.5	13,600	32.5	187.5	12,200	38.1	194.7	10,900	180
185										5.3	127.6	14,400	20.8	163.8	13,000	28.8	179.0	11,700	34.9	188.0	10,400	185
190													14.4	148.1	12,400	24.5	169.1	11,100	31.4	180.3	9,900	190
195																19.4	156.7	10,600	27.5	171.5	9,400	195
200																12.4	139.1	10,100	23.0	160.9	9,000	200
205																			17.5	147.3	8,500	205
210																			9.2	126.3	8,100	210

S/N: 8885093

MANITOWOC ENGINEERING CO.

Division of the Manitowoc Company, Inc. Manitowoc, Wisconsin 54220



LIFTCRANE LUFFING JIB CAPACITIES

DESIGNED AND TESTED
WITH THE INTENT TO BE
THE SCOPE OF ANSI B30.5

888 SERIES 1

LUFFING JIB NO. 135 ON BOOM NO. 22EL
144,100 LB. COUNTERWEIGHT
28'2" CRAWLERS EXTENDED
360 DEGREE RATING

110 FT. BOOM, 160 FT. JIB

JIB OPER. RAD. FEET	88 DEGREE BOOM ANGLE			83 DEGREE BOOM ANGLE			80 DEGREE BOOM ANGLE			75 DEGREE BOOM ANGLE			70 DEGREE BOOM ANGLE			65 DEGREE BOOM ANGLE			60 DEGREE BOOM ANGLE			JIB OPER. RAD. FEET
	JIB ANG. DEG.	JIB POINT ELEV. FEET	LUFFING JIB CAPACITY POUNDS	JIB ANG. DEG.	JIB POINT ELEV. FEET	LUFFING JIB CAPACITY POUNDS	JIB ANG. DEG.	JIB POINT ELEV. FEET	LUFFING JIB CAPACITY POUNDS	JIB ANG. DEG.	JIB POINT ELEV. FEET	LUFFING JIB CAPACITY POUNDS	JIB ANG. DEG.	JIB POINT ELEV. FEET	LUFFING JIB CAPACITY POUNDS	JIB ANG. DEG.	JIB POINT ELEV. FEET	LUFFING JIB CAPACITY POUNDS	JIB ANG. DEG.	JIB POINT ELEV. FEET	LUFFING JIB CAPACITY POUNDS	
50	75.9	273.1	42,300*																			50
55	74.1	271.8	40,600*																			55
60	72.2	270.3	38,900*																			60
65	70.3	268.6	37,300*																			65
70	68.4	266.7	35,700*																			70
75	66.5	264.6	34,100*	70.1	267.5	37,200*																75
80	64.5	262.3	32,600*	68.2	265.6	35,700*																80
85	62.5	259.8	31,100*	66.3	263.5	34,200*																85
90	60.4	257.1	29,700*	64.3	261.2	32,700*	66.5	262.8	34,200*													90
95	58.4	254.2	28,400*	62.3	258.6	31,300*	64.6	260.5	32,800*													95
100	56.2	250.9	27,100*	60.3	255.9	29,900*	62.6	258.0	31,400*													100
105	54.1	247.5	25,800*	58.2	252.9	28,500*	60.5	255.3	30,100*													105
110	51.8	243.7	24,600*	56.0	249.7	27,200*	58.5	252.4	28,700*	62.3	255.4	29,900										110
115	49.5	239.6	23,500*	53.9	246.2	26,000*	56.3	249.2	27,500*	60.3	252.7	28,200										115
120	47.1	235.1	22,400*	51.6	242.4	24,800*	54.2	245.7	26,200*	58.2	249.7	26,600										120
125	44.6	230.3	21,300*	49.3	238.3	23,600*	51.9	242.0	25,000*	56.0	246.5	25,100										125
130	42.0	225.0	20,300*	46.9	233.8	22,500*	49.6	237.9	23,900*	53.9	243.0	23,800	57.8	246.1	21,700							130
135	39.2	219.1	19,400*	44.4	228.9	21,500*	47.2	233.4	22,700*	51.6	239.2	22,600	55.7	242.8	20,600							135
140	36.3	212.7	18,500*	41.8	223.5	20,500*	44.7	228.6	21,700*	49.3	235.0	21,500	53.5	239.2	19,500							140
145	33.2	205.5	17,700*	39.0	217.6	19,500*	42.1	223.3	20,700*	46.9	230.5	20,400	51.2	235.4	18,600							145
150	29.7	197.3	16,900*	36.0	211.1	18,600*	39.4	217.5	19,700*	44.4	225.6	19,500	48.9	231.2	17,700	52.9	234.5	15,900				150
155	25.9	187.8	16,100*	32.9	203.8	17,800*	36.5	211.1	18,800*	41.8	220.3	18,600	46.4	226.6	16,800	50.6	230.5	15,100				155
160	21.5	176.4	15,400*	29.4	195.6	17,000*	33.3	203.9	18,000*	39.0	214.4	17,700	43.9	221.6	16,000	48.3	226.2	14,400				160
165	15.9	161.6	14,800*	25.5	186.0	16,200*	29.9	195.8	17,100*	36.1	207.9	16,900	41.3	216.2	15,300	45.8	221.6	13,700				165
170	6.7	136.5	14,400*	21.0	174.3	15,500*	26.1	186.4	16,400*	32.9	200.6	16,200	38.5	210.2	14,600	43.3	216.5	13,100	47.5	220.2	11,600	170
175				15.3	159.1	14,900*	21.7	175.1	15,700*	29.4	192.4	15,500	35.5	203.6	13,900	40.6	210.9	12,400	45.0	215.4	11,000	175
180				5.1	131.3	14,400*	16.2	160.5	15,000*	25.5	182.7	14,800	32.3	196.1	13,300	37.8	204.8	11,900	42.5	210.2	10,500	180
185							7.4	136.5	14,500*	21.0	171.1	14,100	28.8	187.6	12,700	34.7	198.0	11,300	39.7	204.5	10,000	185
190										15.3	155.9	13,500	24.8	177.7	12,200	31.5	190.3	10,800	36.8	198.1	9,500	190
195										5.1	128.1	12,900	20.1	165.6	11,600	27.8	181.5	10,300	33.7	191.1	9,100	195
200													14.0	149.3	11,100	23.7	171.2	9,900	30.4	183.1	8,600	200
205																18.8	158.3	9,400	26.6	173.9	8,200	205
210																12.1	140.2	9,000	22.3	162.9	7,800	210
215																			16.9	148.8	7,400	215
220																			9.0	127.1	7,100	220

S/N: 8885093

MANITOWOC ENGINEERING CO.

Division of the Manitowoc Company, Inc. Manitowoc, Wisconsin 54220



LIFTCRANE LUFFING JIB CAPACITIES

DESIGNED AND TESTED
WITH THE INTENT TO BE
THE SCOPE OF ANSI B30.5

888 SERIES 1

LUFFING JIB NO. 135 ON BOOM NO. 22EL
144,100 LB. COUNTERWEIGHT
28'2" CRAWLERS EXTENDED
360 DEGREE RATING

110 FT. BOOM, 170 FT. JIB

JIB OPER. RAD. FEET	88 DEGREE BOOM ANGLE			83 DEGREE BOOM ANGLE			80 DEGREE BOOM ANGLE			75 DEGREE BOOM ANGLE			70 DEGREE BOOM ANGLE			65 DEGREE BOOM ANGLE			60 DEGREE BOOM ANGLE			JIB OPER. RAD. FEET
	JIB ANG. DEG.	JIB POINT ELEV. FEET	LUFFING JIB CAPACITY POUNDS	JIB ANG. DEG.	JIB POINT ELEV. FEET	LUFFING JIB CAPACITY POUNDS	JIB ANG. DEG.	JIB POINT ELEV. FEET	LUFFING JIB CAPACITY POUNDS	JIB ANG. DEG.	JIB POINT ELEV. FEET	LUFFING JIB CAPACITY POUNDS	JIB ANG. DEG.	JIB POINT ELEV. FEET	LUFFING JIB CAPACITY POUNDS	JIB ANG. DEG.	JIB POINT ELEV. FEET	LUFFING JIB CAPACITY POUNDS	JIB ANG. DEG.	JIB POINT ELEV. FEET	LUFFING JIB CAPACITY POUNDS	
55	75.0	282.2	37,500*																			55
60	73.3	280.7	36,000*																			60
65	71.5	279.1	34,400*																			65
70	69.7	277.4	32,900*																			70
75	67.9	275.5	31,400*																			75
80	66.1	273.3	30,000*	69.6	276.3	32,800*																80
85	64.2	271.0	28,600*	67.8	274.3	31,400*																85
90	62.3	268.5	27,300*	65.9	272.2	30,000*	68.0	273.6	31,400*													90
95	60.4	265.8	26,000*	64.1	269.8	28,700*	66.2	271.5	30,100*													95
100	58.5	262.8	24,700*	62.2	267.3	27,400*	64.3	269.2	28,800*													100
105	56.5	259.6	23,500*	60.2	264.6	26,100*	62.4	266.7	27,500*													105
110	54.4	256.2	22,400*	58.3	261.6	24,800*	60.5	264.0	26,200*													110
115	52.3	252.5	21,300*	56.3	258.4	23,600*	58.6	261.0	25,000*	62.2	264.1	27,000*										115
120	50.2	248.5	20,200*	54.2	254.9	22,500*	56.6	257.9	23,800*	60.3	261.3	25,900*										120
125	47.9	244.1	19,200*	52.1	251.2	21,400*	54.5	254.4	22,700*	58.3	258.4	24,700*										125
130	45.6	239.4	18,200*	50.0	247.1	20,300*	52.4	250.7	21,600*	56.3	255.1	23,600*										130
135	43.2	234.3	17,300*	47.7	242.8	19,300*	50.3	246.7	20,500*	54.2	251.7	22,300*	57.9	254.7	20,300							135
140	40.7	228.7	16,500*	45.4	238.0	18,300*	48.0	242.4	19,500*	52.1	247.9	21,200	55.9	251.5	19,300							140
145	38.0	222.6	15,600*	43.0	232.9	17,400*	45.7	237.7	18,500*	50.0	243.9	20,200	53.9	248.0	18,300							145
150	35.2	215.9	14,800*	40.5	227.3	16,500*	43.3	232.6	17,600*	47.7	239.5	19,200	51.7	244.2	17,400							150
155	32.2	208.4	14,100*	37.8	221.1	15,700*	40.8	227.1	16,700*	45.4	234.8	18,300	49.6	240.1	16,600							155
160	28.8	199.9	13,400*	34.9	214.3	14,900*	38.2	221.0	15,900*	43.0	229.7	17,500	47.3	235.6	15,800	51.2	239.3	14,100				160
165	25.1	190.1	12,700*	31.9	206.8	14,100*	35.3	214.3	15,100*	40.5	224.0	16,700*	45.0	230.8	15,000	49.0	235.2	13,400				165
170	20.8	178.3	11,800*	28.5	198.2	13,400*	32.3	206.9	14,300*	37.8	217.9	15,800*	42.5	225.6	14,300	46.8	230.6	12,800				170
175	15.4	163.0	11,100*	24.8	188.2	12,600*	29.0	198.4	13,600*	34.9	211.1	15,000*	40.0	219.9	13,700	44.4	225.7	12,200				175
180			10,300*	20.4	176.2	11,800*	25.3	188.7	12,800*	31.9	203.5	14,300*	37.3	213.6	13,100	41.9	220.4	11,600	46.0	224.5	10,200	180
185				14.8	160.4	11,000*	21.0	177.0	11,900*	28.5	194.9	13,600*	34.4	206.7	12,500	39.3	214.6	11,100	43.6	219.5	9,700	185
190				5.0	131.7	10,300*	15.7	161.9	11,100*	24.8	185.0	12,700*	31.3	199.0	11,900	36.6	208.2	10,600	41.1	214.0	9,300	190
195							7.1	137.1	10,400*	20.4	172.9	11,800*	27.9	190.2	11,400	33.7	201.1	10,100	38.5	208.0	8,800	195
200										14.8	157.2	11,100*	24.0	179.9	10,900	30.5	193.1	9,600	35.7	201.4	8,400	200
205										5.0	128.5	10,400*	19.5	167.4	10,400	27.0	184.0	9,200	32.7	194.1	8,000	205
210													13.6	150.5	10,000	23.0	173.3	8,800	29.4	185.8	7,600	210
215																18.2	160.0	8,400	25.8	176.2	7,200	215
220																11.7	141.3	8,000	21.6	164.8	6,900	220
225																			16.4	150.3	6,500	225
230																			8.7	127.9	6,200	230

S/N: 8885093

MANITOWOC ENGINEERING CO.

Division of the Manitowoc Company, Inc. Manitowoc, Wisconsin 54220



LIFTCRANE LUFFING JIB CAPACITIES

DESIGNED AND TESTED
WITH THE INTENT TO BE
THE SCOPE OF ANSI B30.5

888 SERIES 1

LUFFING JIB NO. 135 ON BOOM NO. 22EL
144,100 LB. COUNTERWEIGHT
28'2" CRAWLERS EXTENDED
360 DEGREE RATING

120 FT. BOOM, 70 FT. JIB

JIB OPER. RAD. FEET	88 DEGREE BOOM ANGLE			83 DEGREE BOOM ANGLE			80 DEGREE BOOM ANGLE			75 DEGREE BOOM ANGLE			70 DEGREE BOOM ANGLE			65 DEGREE BOOM ANGLE			60 DEGREE BOOM ANGLE			JIB OPER. RAD. FEET	
	JIB ANG. DEG.	JIB POINT ELEV. FEET	LUFFING JIB CAPACITY POUNDS	JIB ANG. DEG.	JIB POINT ELEV. FEET	LUFFING JIB CAPACITY POUNDS	JIB ANG. DEG.	JIB POINT ELEV. FEET	LUFFING JIB CAPACITY POUNDS	JIB ANG. DEG.	JIB POINT ELEV. FEET	LUFFING JIB CAPACITY POUNDS	JIB ANG. DEG.	JIB POINT ELEV. FEET	LUFFING JIB CAPACITY POUNDS	JIB ANG. DEG.	JIB POINT ELEV. FEET	LUFFING JIB CAPACITY POUNDS	JIB ANG. DEG.	JIB POINT ELEV. FEET	LUFFING JIB CAPACITY POUNDS		
45	61.3	189.3	97,700* ^b																			45	
50	56.6	186.3	94,100* ^b																			50	
55	51.5	182.7	90,400* ^b	61.7	188.6	85,300 ^b																55	
60	46.1	178.3	81,500	57.0	185.6	76,300 ^b	62.8	188.1	73,100 ^b													60	
65	40.1	173.0	73,600	52.0	182.0	68,900 ^b	58.1	185.3	66,100 ^b													65	
70	33.2	166.3	67,100	46.5	177.7	62,700	53.2	181.9	60,100 ^b	63.0	185.8	55,800 ^b											70
75	24.8	157.2	61,400	40.6	172.5	57,500	47.9	177.8	55,100	58.3	183.0	51,200 ^b											75
80	11.6	142.0	51,400*	33.8	165.9	53,000	42.1	172.8	50,800	53.4	179.6	47,200 ^b											80
85				25.6	157.1	49,100	35.6	166.6	47,100	48.1	175.5	43,700											85
90				13.2	142.9	45,600	27.8	158.5	43,800	42.3	170.5	40,600	53.3	176.2	37,500 ^b								90
95							17.0	146.3	40,800	35.8	164.4	37,900	48.0	172.1	35,000								95
100										28.1	156.3	35,500	42.2	167.1	32,800	52.9	171.7	30,100					100
105										17.5	144.4	33,300	35.7	160.9	30,700	47.5	167.5	28,200					105
110													27.9	152.9	28,900	41.7	162.5	26,500					110
115													17.3	140.8	27,200	35.1	156.2	25,000	46.7	161.8	22,800		115
120																27.2	147.9	23,600	40.7	156.5	21,500		120
125																16.1	135.3	22,200	34.0	150.0	20,300		125
130																			25.7	141.3	19,200		130
135																			13.6	127.3	18,100		135

120 FT. BOOM, 80 FT. JIB

JIB OPER. RAD. FEET	88 DEGREE BOOM ANGLE			83 DEGREE BOOM ANGLE			80 DEGREE BOOM ANGLE			75 DEGREE BOOM ANGLE			70 DEGREE BOOM ANGLE			65 DEGREE BOOM ANGLE			60 DEGREE BOOM ANGLE			JIB OPER. RAD. FEET	
	JIB ANG. DEG.	JIB POINT ELEV. FEET	LUFFING JIB CAPACITY POUNDS	JIB ANG. DEG.	JIB POINT ELEV. FEET	LUFFING JIB CAPACITY POUNDS	JIB ANG. DEG.	JIB POINT ELEV. FEET	LUFFING JIB CAPACITY POUNDS	JIB ANG. DEG.	JIB POINT ELEV. FEET	LUFFING JIB CAPACITY POUNDS	JIB ANG. DEG.	JIB POINT ELEV. FEET	LUFFING JIB CAPACITY POUNDS	JIB ANG. DEG.	JIB POINT ELEV. FEET	LUFFING JIB CAPACITY POUNDS	JIB ANG. DEG.	JIB POINT ELEV. FEET	LUFFING JIB CAPACITY POUNDS		
45	65.2	200.5	88,200* ^b																				45
50	61.2	198.0	84,300* ^b																				50
55	57.0	195.0	80,500* ^b	65.5	199.7	85,000 ^b																	55
60	52.6	191.5	77,200*	61.5	197.2	76,000 ^b	66.5	199.2	72,800 ^b														60
65	48.0	187.3	73,500	57.4	194.3	68,600 ^b	62.5	196.8	65,700 ^b														65
70	42.9	182.4	66,900	53.0	190.8	62,500	58.4	194.0	59,800 ^b														70
75	37.4	176.5	61,400	48.4	186.7	57,300	54.1	190.6	54,800	62.6	194.4	50,800 ^b											75
80	31.0	169.1	56,600	43.4	181.9	52,800	49.5	186.7	50,600	58.5	191.6	46,800 ^b											80
85	23.1	159.4	52,400	37.9	176.0	48,900	44.6	182.0	46,800	54.2	188.3	43,300											85
90	10.9	143.0	44,800*	31.6	168.8	45,500	39.3	176.5	43,600	49.7	184.4	40,300											90
95				23.9	159.3	42,500	33.2	169.7	40,700	44.8	179.8	37,600	54.2	184.9	34,600								95
100				12.4	144.0	39,700	25.9	160.8	38,100	39.5	174.2	35,200	49.6	181.0	32,400								100
105							15.9	147.7	35,700	33.4	167.5	33,100	44.7	176.4	30,400								105
110										26.2	158.7	31,100	39.4	170.8	28,600	49.2	176.5	26,100					110
115										16.3	145.9	29,300	33.3	164.0	27,000	44.3	171.8	24,600					115
120													26.1	155.3	25,500	38.9	166.1	23,300					120
125													16.1	142.3	24,000	32.8	159.2	22,000	43.5	165.9	19,900		125
130																25.4	150.2	20,800	38.0	160.1	18,900		130
135																15.1	136.7	19,700	31.7	152.9	17,900		135
140																			24.1	143.5	16,900		140
145																			12.7	128.4	16,000		145

S/N: 8885093

MANITOWOC ENGINEERING CO.

Division of the Manitowoc Company, Inc. Manitowoc, Wisconsin 54220



LIFTCRANE LUFFING JIB CAPACITIES

DESIGNED AND TESTED
WITH THE INTENT TO BE
THE SCOPE OF ANSI B30.5

888 SERIES 1

**LUFFING JIB NO. 135 ON BOOM NO. 22EL
144,100 LB. COUNTERWEIGHT
28'2" CRAWLERS EXTENDED
360 DEGREE RATING**

120 FT. BOOM, 90 FT. JIB

JIB OPER. RAD. FEET	88 DEGREE BOOM ANGLE			83 DEGREE BOOM ANGLE			80 DEGREE BOOM ANGLE			75 DEGREE BOOM ANGLE			70 DEGREE BOOM ANGLE			65 DEGREE BOOM ANGLE			60 DEGREE BOOM ANGLE			JIB OPER. RAD. FEET
	JIB ANG. DEG.	JIB POINT ELEV. FEET	LUFFING JIB CAPACI TY POUNDS	JIB ANG. DEG.	JIB POINT ELEV. FEET	LUFFING JIB CAPACI TY POUNDS	JIB ANG. DEG.	JIB POINT ELEV. FEET	LUFFING JIB CAPACI TY POUNDS	JIB ANG. DEG.	JIB POINT ELEV. FEET	LUFFING JIB CAPACI TY POUNDS	JIB ANG. DEG.	JIB POINT ELEV. FEET	LUFFING JIB CAPACI TY POUNDS	JIB ANG. DEG.	JIB POINT ELEV. FEET	LUFFING JIB CAPACI TY POUNDS	JIB ANG. DEG.	JIB POINT ELEV. FEET	LUFFING JIB CAPACI TY POUNDS	
45	68.1	211.4	80,000* ^b																			45
50	64.6	209.2	76,600* ^b																			50
55	61.1	206.7	73,400* ^b	68.4	210.6	81,400* ^b																55
60	57.3	203.7	70,300*	64.9	208.4	75,800 ^b																60
65	53.5	200.2	67,600*	61.4	205.9	68,400	65.8	207.9	65,500 ^b													65
70	49.4	196.3	65,100*	57.7	202.9	62,300	62.2	205.5	59,600 ^b													70
75	45.1	191.6	61,300	53.8	199.5	57,100	58.6	202.6	54,600													75
80	40.4	186.2	56,500	49.8	195.6	52,700	54.7	199.4	50,400	62.3	203.1	46,600										80
85	35.2	179.8	52,300	45.4	191.0	48,800	50.7	195.5	46,600	58.7	200.3	43,100										85
90	29.2	171.8	48,700	40.8	185.7	45,400	46.5	191.1	43,400	54.9	197.0	40,100										90
95	21.8	161.3	45,500	35.6	179.3	42,400	41.9	186.0	40,500	50.9	193.2	37,400										95
100	10.3	143.9	39,900*	29.7	171.6	39,700	36.9	179.9	38,000	46.7	188.9	35,000	54.8	193.6	32,200							100
105				22.5	161.4	37,300	31.2	172.5	35,600	42.1	183.7	32,900	50.8	189.8	30,200							105
110				11.7	145.1	35,000	24.4	163.1	33,500	37.1	177.7	31,000	46.6	185.4	28,400							110
115							15.0	149.1	31,600	31.5	170.4	29,200	42.0	180.3	26,800	50.5	185.3	24,400				115
120										24.7	161.0	27,600	37.0	174.3	25,300	46.2	180.9	23,000				120
125										15.4	147.3	26,100	31.4	166.9	23,900	41.7	175.7	21,800				125
130													24.6	157.5	22,700	36.6	169.5	20,600	45.5	175.1	18,600	130
135													15.2	143.7	21,500	30.9	162.1	19,600	40.9	169.8	17,700	135
140																24.0	152.4	18,600	35.7	163.4	16,700	140
145																14.2	138.0	17,600	29.9	155.7	15,900	145
150																			22.7	145.5	15,100	150
155																			11.9	129.5	14,300	155

S/N: 8885093

MANITOWOC ENGINEERING CO.

Division of the Manitowoc Company, Inc. Manitowoc, Wisconsin 54220



LIFTCRANE LUFFING JIB CAPACITIES

DESIGNED AND TESTED
WITH THE INTENT TO BE
THE SCOPE OF ANSI B30.5

888 SERIES 1

LUFFING JIB NO. 135 ON BOOM NO. 22EL
144,100 LB. COUNTERWEIGHT
28'2" CRAWLERS EXTENDED
360 DEGREE RATING

120 FT. BOOM, 100 FT. JIB

JIB OPER. RAD. FEET	88 DEGREE BOOM ANGLE			83 DEGREE BOOM ANGLE			80 DEGREE BOOM ANGLE			75 DEGREE BOOM ANGLE			70 DEGREE BOOM ANGLE			65 DEGREE BOOM ANGLE			60 DEGREE BOOM ANGLE			JIB OPER. RAD. FEET
	JIB ANG. DEG.	JIB POINT ELEV. FEET	LUFFING JIB CAPACITY POUNDS	JIB ANG. DEG.	JIB POINT ELEV. FEET	LUFFING JIB CAPACITY POUNDS	JIB ANG. DEG.	JIB POINT ELEV. FEET	LUFFING JIB CAPACITY POUNDS	JIB ANG. DEG.	JIB POINT ELEV. FEET	LUFFING JIB CAPACITY POUNDS	JIB ANG. DEG.	JIB POINT ELEV. FEET	LUFFING JIB CAPACITY POUNDS	JIB ANG. DEG.	JIB POINT ELEV. FEET	LUFFING JIB CAPACITY POUNDS	JIB ANG. DEG.	JIB POINT ELEV. FEET	LUFFING JIB CAPACITY POUNDS	
45	70.4	222.1	74,800* ^b																			45
50	67.3	220.2	71,400* ^b																			50
55	64.2	217.9	68,300*	70.6	221.2	75,800* ^b																55
60	60.9	215.3	65,400*	67.6	219.3	72,600* ^b																60
65	57.6	212.4	62,700*	64.4	217.1	68,100																65
70	54.2	209.0	60,100*	61.2	214.5	62,000	65.2	216.6	59,300													70
75	50.5	205.1	57,700*	57.9	211.6	56,800	62.0	214.2	54,300													75
80	46.7	200.7	55,500*	54.4	208.3	52,400	58.7	211.3	50,000													80
85	42.6	195.7	52,200	50.8	204.4	48,500	55.3	208.1	46,300	62.1	211.8	42,700										85
90	38.2	189.8	48,500	47.0	200.1	45,100	51.7	204.4	43,100	58.8	209.0	39,700										90
95	33.3	182.8	45,300	43.0	195.1	42,100	48.0	200.1	40,200	55.4	205.7	37,100										95
100	27.7	174.4	42,500	38.6	189.3	39,500	44.0	195.3	37,700	51.9	202.0	34,700										100
105	20.7	163.2	39,900	33.8	182.5	37,100	39.7	189.7	35,400	48.1	197.8	32,600	55.4	202.3	29,800							105
110	9.7	144.8	35,700*	28.2	174.1	34,900	35.0	183.2	33,300	44.1	193.0	30,600	51.8	198.6	28,000							110
115				21.3	163.3	32,900	29.6	175.3	31,400	39.9	187.5	28,900	48.1	194.4	26,400							115
120				11.1	146.1	31,100	23.2	165.2	29,700	35.1	181.0	27,300	44.1	189.6	24,900	51.5	194.1	22,600				120
125							14.2	150.4	28,100	29.8	173.1	25,900	39.8	184.1	23,600	47.7	189.9	21,400				125
130										23.4	163.1	24,500	35.1	177.5	22,400	43.7	185.0	20,300				130
135										14.6	148.6	23,200	29.7	169.6	21,200	39.4	179.4	19,200	47.1	184.1	17,200	135
140													23.3	159.6	20,100	34.7	172.8	18,200	43.1	179.2	16,400	140
145													14.4	145.0	19,100	29.3	164.7	17,300	38.7	173.4	15,500	145
150																22.7	154.5	16,500	33.8	166.6	14,700	150
155																13.5	139.2	15,600	28.3	158.3	14,000	155
160																			21.5	147.5	13,300	160
165																			11.3	130.5	12,600	165

S/N: 8885093

MANITOWOC ENGINEERING CO.

Division of the Manitowoc Company, Inc. Manitowoc, Wisconsin 54220



LIFTCRANE LUFFING JIB CAPACITIES

DESIGNED AND TESTED
WITH THE INTENT TO BE
THE SCOPE OF ANSI B30.5

888 SERIES 1

LUFFING JIB NO. 135 ON BOOM NO. 22EL
144,100 LB. COUNTERWEIGHT
28'2" CRAWLERS EXTENDED
360 DEGREE RATING

120 FT. BOOM, 110 FT. JIB

JIB OPER. RAD. FEET	88 DEGREE BOOM ANGLE			83 DEGREE BOOM ANGLE			80 DEGREE BOOM ANGLE			75 DEGREE BOOM ANGLE			70 DEGREE BOOM ANGLE			65 DEGREE BOOM ANGLE			60 DEGREE BOOM ANGLE			JIB OPER. RAD. FEET
	JIB ANG. DEG.	JIB POINT ELEV. FEET	LUFFING JIB CAPACITY POUNDS	JIB ANG. DEG.	JIB POINT ELEV. FEET	LUFFING JIB CAPACITY POUNDS	JIB ANG. DEG.	JIB POINT ELEV. FEET	LUFFING JIB CAPACITY POUNDS	JIB ANG. DEG.	JIB POINT ELEV. FEET	LUFFING JIB CAPACITY POUNDS	JIB ANG. DEG.	JIB POINT ELEV. FEET	LUFFING JIB CAPACITY POUNDS	JIB ANG. DEG.	JIB POINT ELEV. FEET	LUFFING JIB CAPACITY POUNDS	JIB ANG. DEG.	JIB POINT ELEV. FEET	LUFFING JIB CAPACITY POUNDS	
45	72.2	232.7	70,300* ^b																			45
50	69.5	230.9	67,600* ^b																			50
55	66.7	228.9	65,100*																			55
60	63.8	226.6	62,600*	69.7	230.1	68,500* ^b																60
65	60.9	224.0	60,300*	66.9	228.1	66,200*																65
70	57.8	221.0	57,900*	64.0	225.8	61,900	67.6	227.5	59,200													70
75	54.7	217.7	55,600*	61.1	223.2	56,800	64.7	225.3	54,200													75
80	51.4	213.9	53,500*	58.1	220.3	52,300	61.8	222.8	50,000													80
85	48.0	209.7	51,600*	55.0	217.0	48,500	58.8	220.0	46,300													85
90	44.4	204.9	48,500	51.7	213.3	45,100	55.7	216.8	43,000	61.9	220.5	39,700										90
95	40.6	199.5	45,300	48.3	209.1	42,100	52.5	213.1	40,200	58.9	217.6	37,000										95
100	36.4	193.2	42,500	44.7	204.3	39,500	49.2	209.1	37,600	55.8	214.4	34,600										100
105	31.7	185.8	39,900	40.9	198.9	37,100	45.6	204.5	35,400	52.6	210.8	32,500										105
110	26.4	176.8	37,600	36.7	192.7	34,900	41.8	199.2	33,300	49.3	206.8	30,600	55.8	211.0	28,000							110
115	19.7	165.0	35,500	32.1	185.4	33,000	37.8	193.2	31,400	45.7	202.2	28,900	52.6	207.4	26,400							115
120	9.3	145.6	30,800*	26.8	176.6	31,200	33.3	186.2	29,700	42.0	197.0	27,300	49.2	203.4	24,900	52.3	202.9	21,400				120
125				20.3	165.1	29,600	28.2	177.8	28,200	37.9	191.0	25,900	45.7	198.8	23,600	48.9	198.8	20,200				125
130				10.5	147.0	28,000	22.1	167.2	26,700	33.5	184.0	24,500	41.9	193.6	22,400	45.4	194.2	19,200				130
135							13.5	151.6	25,400	28.4	175.7	23,300	37.9	187.6	21,200	41.6	188.9	18,200				135
140										22.3	165.1	22,200	33.4	180.6	20,200							140
145										13.9	149.9	21,100	28.3	172.2	19,200	37.5	182.9	17,300	44.8	188.4	15,500	145
150													22.2	161.6	18,300	33.0	175.8	16,500	41.0	183.0	14,700	150
155													13.8	146.2	17,400	27.9	167.3	15,700	36.8	176.8	14,000	155
160																21.6	156.4	15,000	32.2	169.5	13,400	160
165																12.8	140.3	14,200	27.0	160.7	12,700	165
170																			20.5	149.3	12,100	170
175																			10.8	131.5	11,500	175

S/N: 8885093

MANITOWOC ENGINEERING CO.

Division of the Manitowoc Company, Inc. Manitowoc, Wisconsin 54220



LIFTCRANE LUFFING JIB CAPACITIES

DESIGNED AND TESTED
WITH THE INTENT TO BE
THE SCOPE OF ANSI B30.5

888 SERIES 1

LUFFING JIB NO. 135 ON BOOM NO. 22EL
144,100 LB. COUNTERWEIGHT
28'2" CRAWLERS EXTENDED
360 DEGREE RATING

120 FT. BOOM, 120 FT. JIB

JIB OPER. RAD. FEET	88 DEGREE BOOM ANGLE			83 DEGREE BOOM ANGLE			80 DEGREE BOOM ANGLE			75 DEGREE BOOM ANGLE			70 DEGREE BOOM ANGLE			65 DEGREE BOOM ANGLE			60 DEGREE BOOM ANGLE			JIB OPER. RAD. FEET
	JIB ANG. DEG.	JIB POINT ELEV. FEET	LUFFING JIB CAPACITY POUNDS	JIB ANG. DEG.	JIB POINT ELEV. FEET	LUFFING JIB CAPACITY POUNDS	JIB ANG. DEG.	JIB POINT ELEV. FEET	LUFFING JIB CAPACITY POUNDS	JIB ANG. DEG.	JIB POINT ELEV. FEET	LUFFING JIB CAPACITY POUNDS	JIB ANG. DEG.	JIB POINT ELEV. FEET	LUFFING JIB CAPACITY POUNDS	JIB ANG. DEG.	JIB POINT ELEV. FEET	LUFFING JIB CAPACITY POUNDS	JIB ANG. DEG.	JIB POINT ELEV. FEET	LUFFING JIB CAPACITY POUNDS	
45	73.8	243.1	57,900* ^b																			45
50	71.3	241.6	56,700* ^b																			50
55	68.7	239.7	55,500*																			55
60	66.1	237.7	53,400*																			60
65	63.5	235.3	51,300*	68.9	238.9	56,200*																65
70	60.8	232.7	49,300*	66.3	236.8	54,100*																70
75	58.0	229.7	47,300*	63.7	234.5	52,000*	67.0	236.3	53,900													75
80	55.2	226.4	45,500*	61.0	231.9	50,000*	64.3	234.0	49,600													80
85	52.2	222.7	43,700*	58.3	228.9	48,000*	61.7	231.5	45,900													85
90	49.1	218.6	42,100*	55.4	225.7	44,800	58.9	228.6	42,700													90
95	45.9	214.0	40,500*	52.4	222.0	41,800	56.1	225.4	39,900	61.8	229.1	36,600										95
100	42.4	208.9	39,100*	49.4	218.0	39,200	53.2	221.9	37,300	59.0	226.3	34,300										100
105	38.8	203.1	37,800*	46.1	213.4	36,800	50.1	217.9	35,100	56.2	223.1	32,200										105
110	34.8	196.4	36,500*	42.7	208.3	34,700	46.9	213.5	33,000	53.3	219.6	30,300										110
115	30.3	188.5	35,300	39.1	202.6	32,700	43.6	208.6	31,200	50.2	215.6	28,500	56.1	219.7	26,000							115
120	25.2	179.0	33,400	35.1	196.0	31,000	40.0	203.0	29,500	47.0	211.2	27,000	53.2	216.2	24,500							120
125	18.9	166.7	31,700	30.7	188.2	29,300	36.1	196.6	27,900	43.7	206.3	25,500	50.2	212.2	23,200							125
130	8.9	146.4	27,600*	25.7	178.9	27,800	31.8	189.2	26,500	40.1	200.7	24,200	47.0	207.8	22,000	53.0	211.7	19,800				130
135				19.5	166.9	26,400	27.0	180.3	25,200	36.3	194.4	23,000	43.6	202.9	20,900	49.9	207.7	18,800				135
140				10.1	147.9	25,100	21.1	169.1	23,900	32.0	187.0	21,900	40.1	197.3	19,800	46.7	203.3	17,800				140
145							13.0	152.8	22,800	27.2	178.2	20,800	36.2	190.9	18,900	43.4	198.3	17,000				145
150										21.3	167.1	19,800	31.9	183.5	18,000	39.8	192.6	16,100	46.2	197.5	14,300	150
155										13.3	151.1	18,900	27.1	174.7	17,100	35.9	186.2	15,400	42.8	192.4	13,600	155
160													21.2	163.5	16,300	31.6	178.7	14,600	39.2	186.6	13,000	160
165													13.2	147.4	15,500	26.7	169.7	13,900	35.2	180.0	12,400	165
170																20.7	158.3	13,300	30.8	172.4	11,800	170
175																12.3	141.4	12,600	25.8	163.1	11,200	175
180																			19.6	151.1	10,700	180
185																			10.3	132.4	10,100	185

S/N: 8885093

MANITOWOC ENGINEERING CO.

Division of the Manitowoc Company, Inc. Manitowoc, Wisconsin 54220



LIFTCRANE LUFFING JIB CAPACITIES

DESIGNED AND TESTED
WITH THE INTENT TO BE
THE SCOPE OF ANSI B30.5

888 SERIES 1

LUFFING JIB NO. 135 ON BOOM NO. 22EL
144,100 LB. COUNTERWEIGHT
28'2" CRAWLERS EXTENDED
360 DEGREE RATING

120 FT. BOOM, 130 FT. JIB

JIB OPER. RAD. FEET	88 DEGREE BOOM ANGLE			83 DEGREE BOOM ANGLE			80 DEGREE BOOM ANGLE			75 DEGREE BOOM ANGLE			70 DEGREE BOOM ANGLE			65 DEGREE BOOM ANGLE			60 DEGREE BOOM ANGLE			JIB OPER. RAD. FEET
	JIB ANG. DEG.	JIB POINT ELEV. FEET	LUFFING JIB CAPACITY POUNDS	JIB ANG. DEG.	JIB POINT ELEV. FEET	LUFFING JIB CAPACITY POUNDS	JIB ANG. DEG.	JIB POINT ELEV. FEET	LUFFING JIB CAPACITY POUNDS	JIB ANG. DEG.	JIB POINT ELEV. FEET	LUFFING JIB CAPACITY POUNDS	JIB ANG. DEG.	JIB POINT ELEV. FEET	LUFFING JIB CAPACITY POUNDS	JIB ANG. DEG.	JIB POINT ELEV. FEET	LUFFING JIB CAPACITY POUNDS	JIB ANG. DEG.	JIB POINT ELEV. FEET	LUFFING JIB CAPACITY POUNDS	
45	75.0	253.5	54,200*																			45
50	72.7	252.1	53,100*																			50
55	70.4	250.4	51,400*																			55
60	68.1	248.5	49,400*																			60
65	65.7	246.4	47,500*	70.6	249.5	51,800*																65
70	63.2	244.0	45,700*	68.3	247.7	50,000*																70
75	60.7	241.3	43,900*	65.9	245.5	48,100*																75
80	58.2	238.4	42,200*	63.4	243.2	46,300*	66.4	245.0	48,400*													80
85	55.5	235.1	40,600*	60.9	240.5	44,600*	64.0	242.7	45,700													85
90	52.8	231.5	39,100*	58.4	237.6	42,900*	61.5	240.1	42,500													90
95	50.0	227.5	37,600*	55.8	234.4	41,300*	59.0	237.3	39,600													95
100	47.1	223.1	36,200*	53.1	230.8	39,000	56.4	234.1	37,100	61.6	237.8	34,000										100
105	44.0	218.2	34,900*	50.2	226.8	36,600	53.7	230.6	34,800	59.1	234.9	31,900										105
110	40.7	212.7	33,600*	47.3	222.5	34,500	50.9	226.8	32,800	56.5	231.8	30,000										110
115	37.2	206.5	32,500*	44.2	217.6	32,500	48.0	222.5	30,900	53.8	228.3	28,300										115
120	33.4	199.4	31,400*	41.0	212.2	30,800	45.0	217.8	29,200	51.0	224.5	26,700	56.5	228.4	24,300							120
125	29.1	191.2	30,400*	37.5	206.0	29,200	41.8	212.5	27,700	48.1	220.2	25,300	53.8	224.9	23,000							125
130	24.2	181.2	29,500*	33.7	199.0	27,700	38.4	206.5	26,300	45.1	215.5	24,000	51.0	221.1	21,700							130
135	18.1	168.3	28,500	29.5	190.9	26,300	34.6	199.8	25,000	41.9	210.2	22,800	48.1	216.8	20,600							135
140	8.5	147.2	24,600*	24.7	181.1	25,000	30.6	191.9	23,800	38.5	204.3	21,700	45.1	212.1	19,600	50.8	216.6	17,600				140
145				18.7	168.6	23,800	25.9	182.6	22,600	34.8	197.6	20,600	41.8	206.8	18,600	47.8	212.2	16,700				145
150				9.7	148.8	22,700	20.3	170.9	21,600	30.7	189.8	19,700	38.4	200.9	17,700	44.8	207.5	15,900				150
155							12.4	153.9	20,600	26.1	180.5	18,700	34.7	194.1	16,900	41.6	202.1	15,100	47.4	206.5	13,400	155
160										20.5	168.9	17,900	30.6	186.3	16,100	38.1	196.2	14,400	44.3	201.6	12,700	160
165										12.8	152.2	17,100	26.0	177.1	15,400	34.4	189.3	13,700	41.0	196.2	12,100	165
170													20.4	165.4	14,700	30.3	181.5	13,100	37.6	190.1	11,500	170
175													12.7	148.5	14,000	25.6	172.0	12,500	33.8	183.2	11,000	175
180																19.9	160.1	11,900	29.6	175.0	10,400	180
185																11.8	142.5	11,300	24.8	165.3	10,000	185
190																			18.8	152.8	9,500	190
195																			9.9	133.3	9,000	195

S/N: 8885093

MANITOWOC ENGINEERING CO.

Division of the Manitowoc Company, Inc. Manitowoc, Wisconsin 54220



LIFTCRANE LUFFING JIB CAPACITIES

DESIGNED AND TESTED
WITH THE INTENT TO BE
THE SCOPE OF ANSI B30.5

888 SERIES 1

LUFFING JIB NO. 135 ON BOOM NO. 22EL
144,100 LB. COUNTERWEIGHT
28'2" CRAWLERS EXTENDED
360 DEGREE RATING

120 FT. BOOM, 140 FT. JIB

JIB OPER. RAD. FEET	88 DEGREE BOOM ANGLE			83 DEGREE BOOM ANGLE			80 DEGREE BOOM ANGLE			75 DEGREE BOOM ANGLE			70 DEGREE BOOM ANGLE			65 DEGREE BOOM ANGLE			60 DEGREE BOOM ANGLE			JIB OPER. RAD. FEET
	JIB ANG. DEG.	JIB POINT ELEV. FEET	LUFFING JIB CAPACITY POUNDS	JIB ANG. DEG.	JIB POINT ELEV. FEET	LUFFING JIB CAPACITY POUNDS	JIB ANG. DEG.	JIB POINT ELEV. FEET	LUFFING JIB CAPACITY POUNDS	JIB ANG. DEG.	JIB POINT ELEV. FEET	LUFFING JIB CAPACITY POUNDS	JIB ANG. DEG.	JIB POINT ELEV. FEET	LUFFING JIB CAPACITY POUNDS	JIB ANG. DEG.	JIB POINT ELEV. FEET	LUFFING JIB CAPACITY POUNDS	JIB ANG. DEG.	JIB POINT ELEV. FEET	LUFFING JIB CAPACITY POUNDS	
50	74.0	262.5	49,300*																			50
55	71.9	261.0	47,500*																			55
60	69.7	259.2	45,600*																			60
65	67.5	257.3	43,800*																			65
70	65.3	255.1	42,100*	69.9	258.4	46,000*																70
75	63.0	252.7	40,400*	67.7	256.4	44,200*																75
80	60.7	250.0	38,700*	65.5	254.3	42,600*																80
85	58.3	247.0	37,200*	63.2	251.9	40,900*	66.0	253.8	42,800*													85
90	55.9	243.8	35,700*	60.9	249.2	39,300*	63.7	251.4	41,300*													90
95	53.4	240.2	34,300*	58.5	246.3	37,700*	61.4	248.8	39,300													95
100	50.8	236.3	32,900*	56.1	243.1	36,300*	59.1	246.0	36,800													100
105	48.1	232.1	31,600*	53.6	239.5	34,800*	56.7	242.8	34,500	61.5	246.5	31,500										105
110	45.2	227.3	30,300*	51.0	235.7	33,400*	54.2	239.4	32,500	59.2	243.6	29,600										110
115	42.3	222.1	29,100*	48.3	231.4	32,100*	51.6	235.6	30,600	56.7	240.5	27,900										115
120	39.2	216.3	28,000*	45.5	226.7	30,500	48.9	231.4	28,900	54.3	237.0	26,400										120
125	35.8	209.8	27,000*	42.5	221.6	28,900	46.2	226.9	27,400	51.7	233.3	25,000	56.7	237.1	22,600							125
130	32.1	202.4	25,900*	39.4	215.8	27,400	43.3	221.8	26,000	49.0	229.1	23,700	54.2	233.6	21,400							130
135	28.0	193.7	25,000*	36.1	209.4	26,000	40.2	216.2	24,700	46.3	224.6	22,500	51.7	229.9	20,300							135
140	23.3	183.3	24,200*	32.4	202.0	24,800	36.9	209.9	23,500	43.4	219.5	21,300	49.0	225.7	19,200							140
145	17.4	169.9	23,500*	28.4	193.5	23,600	33.3	202.8	22,400	40.3	214.0	20,300	46.2	221.2	18,300	51.5	225.4	16,300				145
150	8.2	147.9	22,000*	23.8	183.3	22,500	29.4	194.6	21,300	37.0	207.7	19,300	43.3	216.1	17,400	48.8	221.2	15,500				150
155				18.0	170.2	21,500	24.9	184.9	20,300	33.5	200.6	18,400	40.3	210.5	16,600	46.0	216.6	14,700				155
160				9.3	149.6	20,500	19.5	172.7	19,400	29.6	192.5	17,600	37.0	204.3	15,800	43.1	211.5	14,000				160
165							12.0	154.9	18,500	25.1	182.8	16,800	33.4	197.2	15,100	40.0	205.9	13,400	45.5	210.8	11,700	165
170										19.7	170.7	16,000	29.5	189.0	14,400	36.7	199.5	12,700	42.6	205.6	11,100	170
175										12.3	153.3	15,300	25.0	179.3	13,700	33.1	192.4	12,100	39.5	199.9	10,600	175
180													19.7	167.2	13,100	29.2	184.1	11,600	36.1	193.4	10,100	180
185													12.2	149.6	12,500	24.6	174.3	11,000	32.5	186.1	9,600	185
190																19.2	161.8	10,500	28.5	177.6	9,100	190
195																11.4	143.5	10,000	23.8	167.5	8,700	195
200																			18.1	154.4	8,300	200
205																			9.6	134.1	7,800	205

S/N: 8885093

MANITOWOC ENGINEERING CO.

Division of the Manitowoc Company, Inc. Manitowoc, Wisconsin 54220



LIFTCRANE LUFFING JIB CAPACITIES

DESIGNED AND TESTED
WITH THE INTENT TO BE
THE SCOPE OF ANSI B30.5

888 SERIES 1

LUFFING JIB NO. 135 ON BOOM NO. 22EL
144,100 LB. COUNTERWEIGHT
28'2" CRAWLERS EXTENDED
360 DEGREE RATING

120 FT. BOOM, 150 FT. JIB

JIB OPER. FEET	88 DEGREE BOOM ANGLE			83 DEGREE BOOM ANGLE			80 DEGREE BOOM ANGLE			75 DEGREE BOOM ANGLE			70 DEGREE BOOM ANGLE			65 DEGREE BOOM ANGLE			60 DEGREE BOOM ANGLE			JIB OPER. FEET	
	JIB ANG. DEG.	JIB POINT ELEV. FEET	LUFFING JIB CAPACITY POUNDS	JIB ANG. DEG.	JIB POINT ELEV. FEET	LUFFING JIB CAPACITY POUNDS	JIB ANG. DEG.	JIB POINT ELEV. FEET	LUFFING JIB CAPACITY POUNDS	JIB ANG. DEG.	JIB POINT ELEV. FEET	LUFFING JIB CAPACITY POUNDS	JIB ANG. DEG.	JIB POINT ELEV. FEET	LUFFING JIB CAPACITY POUNDS	JIB ANG. DEG.	JIB POINT ELEV. FEET	LUFFING JIB CAPACITY POUNDS	JIB ANG. DEG.	JIB POINT ELEV. FEET	LUFFING JIB CAPACITY POUNDS		
50	75.1	272.9	45,700*																			50	
55	73.1	271.5	44,000*																			55	
60	71.1	269.8	42,200*																			60	
65	69.1	268.0	40,600*																			65	
70	67.0	266.0	38,900*																			70	
75	64.9	263.8	37,300*	69.3	267.2	40,900*																75	
80	62.8	261.3	35,800*	67.2	265.2	39,300*																80	
85	60.6	258.6	34,300*	65.1	263.0	37,700*	67.7	264.6	39,400*													85	
90	58.4	255.7	32,800*	63.0	260.5	36,200*	65.6	262.5	38,000*													90	
95	56.1	252.5	31,400*	60.8	257.9	34,700*	63.5	260.1	36,500*													95	
100	53.8	249.0	30,100*	58.6	254.9	33,300*	61.3	257.5	35,100*													100	
105	51.4	245.2	28,800*	56.3	251.7	31,900*	59.1	254.6	33,700*													105	
110	48.9	241.0	27,600*	54.0	248.3	30,600*	56.9	251.5	32,300*	61.4	255.1	29,500										110	
115	46.3	236.4	26,400*	51.6	244.5	29,300*	54.6	248.1	30,500	59.2	252.3	27,800										115	
120	43.6	231.4	25,300*	49.1	240.3	28,000*	52.2	244.4	28,800	57.0	249.2	26,300										120	
125	40.8	225.9	24,300*	46.6	235.8	26,900*	49.7	240.3	27,300	54.7	245.8	24,900										125	
130	37.8	219.8	23,300*	43.9	230.8	25,700*	47.2	235.9	25,900	52.3	242.1	23,600	56.9	245.8	21,300							130	
135	34.5	213.0	22,300*	41.0	225.4	24,700*	44.5	231.0	24,600	49.8	238.0	22,400	54.6	242.4	20,200							135	
140	31.0	205.2	21,400*	38.0	219.3	23,600*	41.7	225.7	23,400	47.3	233.6	21,200	52.2	238.7	19,100							140	
145	27.1	196.2	20,600*	34.8	212.6	22,700*	38.8	219.8	22,300	44.6	228.8	20,200	49.8	234.6	18,200							145	
150	22.5	185.4	19,800*	31.3	204.9	21,800*	35.6	213.2	21,300	41.8	223.4	19,300	47.2	230.2	17,300	52.0	234.2	15,400				150	
155	16.8	171.4	19,200*	27.4	196.0	20,900*	32.2	205.8	20,300	38.9	217.6	18,400	44.6	225.3	16,500	49.6	230.1	14,600				155	
160	7.9	148.6	18,700*	22.9	185.4	20,100*	28.4	197.2	19,400	35.7	211.0	17,500	41.8	220.0	15,700	47.0	225.6	13,900				160	
165				17.4	171.7	19,400*	24.1	187.1	18,500	32.3	203.6	16,700	38.8	214.1	15,000	44.4	220.7	13,300				165	
170				9.0	150.4	18,700	18.9	174.3	17,700	28.5	195.1	16,000	35.7	207.6	14,300	41.6	215.4	12,600	46.6	219.9	11,000	170	
175							11.6	156.0	16,900				24.2	185.0	15,300	32.3	200.1	13,700	38.6	209.4	12,100	175	
180													19.1	172.4	14,600	28.5	191.6	13,100	35.4	202.8	11,500	180	
185													11.9	154.4	14,000				32.0	195.3	11,000	185	
190																			24.2	181.5	12,500	190	
195																			19.0	168.9	11,900	195	
200																			11.8	150.7	11,400	200	
205																			18.5	163.5	9,500	205	
210																			11.0	144.5	9,100	210	
215																							215

S/N: 8885093

MANITOWOC ENGINEERING CO.

Division of the Manitowoc Company, Inc. Manitowoc, Wisconsin 54220



LIFTCRANE LUFFING JIB CAPACITIES

DESIGNED AND TESTED
WITH THE INTENT TO BE
THE SCOPE OF ANSI B30.5

888 SERIES 1

LUFFING JIB NO. 135 ON BOOM NO. 22EL
144,100 LB. COUNTERWEIGHT
28'2" CRAWLERS EXTENDED
360 DEGREE RATING

120 FT. BOOM, 160 FT. JIB

JIB OPER. RAD. FEET	88 DEGREE BOOM ANGLE			83 DEGREE BOOM ANGLE			80 DEGREE BOOM ANGLE			75 DEGREE BOOM ANGLE			70 DEGREE BOOM ANGLE			65 DEGREE BOOM ANGLE			60 DEGREE BOOM ANGLE			JIB OPER. RAD. FEET
	JIB ANG. DEG.	JIB POINT ELEV. FEET	LUFFING JIB CAPACITY POUNDS	JIB ANG. DEG.	JIB POINT ELEV. FEET	LUFFING JIB CAPACITY POUNDS	JIB ANG. DEG.	JIB POINT ELEV. FEET	LUFFING JIB CAPACITY POUNDS	JIB ANG. DEG.	JIB POINT ELEV. FEET	LUFFING JIB CAPACITY POUNDS	JIB ANG. DEG.	JIB POINT ELEV. FEET	LUFFING JIB CAPACITY POUNDS	JIB ANG. DEG.	JIB POINT ELEV. FEET	LUFFING JIB CAPACITY POUNDS	JIB ANG. DEG.	JIB POINT ELEV. FEET	LUFFING JIB CAPACITY POUNDS	
55	74.2	281.9	40,400*																			55
60	72.3	280.4	38,800*																			60
65	70.4	278.7	37,200*																			65
70	68.5	276.8	35,600*																			70
75	66.6	274.7	34,100*	70.6	277.8	37,400*																75
80	64.6	272.5	32,600*	68.7	276.0	35,900*																80
85	62.6	270.0	31,200*	66.8	273.9	34,400*																85
90	60.6	267.3	29,800*	64.8	271.7	33,000*	67.2	273.4	34,600*													90
95	58.5	264.4	28,400*	62.8	269.2	31,600*	65.3	271.2	33,200*													95
100	56.4	261.2	27,100*	60.8	266.5	30,200*	63.3	268.8	31,800*													100
105	54.2	257.7	25,900*	58.7	263.6	28,800*	61.3	266.1	30,500*													105
110	52.0	254.0	24,700*	56.6	260.4	27,500*	59.2	263.3	29,200*													110
115	49.7	249.9	23,600*	54.4	257.0	26,300*	57.1	260.2	27,900*	61.3	263.8	27,500										115
120	47.3	245.5	22,500*	52.2	253.3	25,100*	54.9	256.8	26,600*	59.3	260.9	25,900										120
125	44.8	240.6	21,400*	49.9	249.2	23,900*	52.7	253.1	25,400*	57.2	257.8	24,500										125
130	42.2	235.4	20,400*	47.5	244.8	22,800*	50.4	249.2	24,300*	55.0	254.5	23,200										130
135	39.4	229.6	19,500*	45.0	240.0	21,800*	48.1	244.9	23,200*	52.8	250.8	22,000	57.1	254.4	19,800							135
140	36.5	223.2	18,600*	42.4	234.8	20,700*	45.6	240.2	22,100*	50.5	246.9	20,900	55.0	251.1	18,800							140
145	33.4	216.0	17,700*	39.7	229.1	19,800*	43.0	235.1	21,100*	48.1	242.6	19,900	52.8	247.4	17,800							145
150	30.0	207.9	16,900*	36.8	222.7	18,900*	40.3	229.4	20,100*	45.7	237.9	18,900	50.5	243.5	16,900							150
155	26.2	198.6	16,200*	33.7	215.6	18,000*	37.5	223.2	19,200*	43.1	232.8	18,100	48.1	239.2	16,100	52.6	242.9	14,300				155
160	21.8	187.3	15,500*	30.3	207.6	17,200*	34.4	216.4	18,300*	40.4	227.2	17,200	45.7	234.5	15,400	50.3	238.9	13,600				160
165	16.3	172.8	14,900*	26.5	198.4	16,400*	31.1	208.6	17,500*	37.6	221.0	16,400	43.1	229.4	14,600	47.9	234.6	12,900				165
170	7.7	149.3	14,400*	22.2	187.3	15,700*	27.5	199.7	16,700*	34.6	214.2	15,700	40.4	223.8	14,000	45.4	229.9	12,300				170
175				16.8	173.2	15,100*	23.3	189.2	16,000*	31.3	206.4	15,000	37.6	217.6	13,300	42.9	224.7	11,700	47.5	228.9	10,100	175
180				8.7	151.2	14,600*	18.3	176.0	15,300*	27.6	197.6	14,400	34.5	210.7	12,700	40.2	219.1	11,100	45.0	224.1	9,600	180
185							11.2	157.0	14,800*	23.5	187.1	13,700	31.2	203.0	12,200	37.3	212.9	10,600	42.5	218.9	9,100	185
190										18.5	174.1	13,100	27.6	194.1	11,600	34.3	205.9	10,100	39.7	213.1	8,700	190
195										23.4	183.6	11,100	23.4	183.6	11,100	30.9	198.1	9,700	36.8	206.8	8,300	195
200										11.5	155.4	12,600	18.4	170.5	10,600	27.2	189.1	9,200	33.7	199.7	7,900	200
205													11.4	151.7	10,100	23.0	178.5	8,800	30.4	191.7	7,500	205
210																17.9	165.1	8,400	26.6	182.5	7,100	210
215																10.6	145.4	8,000	22.3	171.5	6,700	215
220																			16.9	157.5	6,400	220
225																			9.0	135.8	6,000	225

S/N: 8885093

MANITOWOC ENGINEERING CO.

Division of the Manitowoc Company, Inc. Manitowoc, Wisconsin 54220



LIFTCRANE LUFFING JIB CAPACITIES

DESIGNED AND TESTED
WITH THE INTENT TO BE
THE SCOPE OF ANSI B30.5

888 SERIES 1

LUFFING JIB NO. 135 ON BOOM NO. 22EL
144,100 LB. COUNTERWEIGHT
28'2" CRAWLERS EXTENDED
360 DEGREE RATING

120 FT. BOOM, 170 FT. JIB

JIB OPER. RAD. FEET	88 DEGREE BOOM ANGLE			83 DEGREE BOOM ANGLE			80 DEGREE BOOM ANGLE			75 DEGREE BOOM ANGLE			70 DEGREE BOOM ANGLE			65 DEGREE BOOM ANGLE			60 DEGREE BOOM ANGLE			JIB OPER. RAD. FEET
	JIB ANG. DEG.	JIB POINT ELEV. FEET	LUFFING JIB CAPACITY POUNDS	JIB ANG. DEG.	JIB POINT ELEV. FEET	LUFFING JIB CAPACITY POUNDS	JIB ANG. DEG.	JIB POINT ELEV. FEET	LUFFING JIB CAPACITY POUNDS	JIB ANG. DEG.	JIB POINT ELEV. FEET	LUFFING JIB CAPACITY POUNDS	JIB ANG. DEG.	JIB POINT ELEV. FEET	LUFFING JIB CAPACITY POUNDS	JIB ANG. DEG.	JIB POINT ELEV. FEET	LUFFING JIB CAPACITY POUNDS	JIB ANG. DEG.	JIB POINT ELEV. FEET	LUFFING JIB CAPACITY POUNDS	
55	75.2	292.2	37,400*																			55
60	73.4	290.8	35,800*																			60
65	71.6	289.3	34,400*																			65
70	69.8	287.5	32,900*																			70
75	68.0	285.6	31,400*																			75
80	66.2	283.5	30,000*	70.0	286.6	33,000*																80
85	64.4	281.2	28,700*	68.2	284.7	31,700*																85
90	62.5	278.7	27,300*	66.4	282.6	30,300*																90
95	60.6	276.0	26,000*	64.5	280.4	29,000*	66.8	282.1	30,400*													95
100	58.6	273.0	24,800*	62.6	277.9	27,600*	65.0	279.9	29,200*													100
105	56.6	269.9	23,600*	60.7	275.2	26,400*	63.1	277.4	27,900*													105
110	54.6	266.4	22,500*	58.8	272.3	25,100*	61.2	274.8	26,700*													110
115	52.5	262.7	21,400*	56.8	269.1	23,900*	59.2	271.9	25,400*													115
120	50.3	258.7	20,300*	54.7	265.7	22,800*	57.3	268.8	24,300*	61.2	272.4	25,700										120
125	48.1	254.4	19,300*	52.6	262.0	21,700*	55.2	265.5	23,100*	59.3	269.6	24,200										125
130	45.8	249.7	18,300*	50.5	258.1	20,600*	53.2	261.9	22,000*	57.3	266.5	23,000										130
135	43.4	244.7	17,400*	48.3	253.8	19,600*	51.0	258.0	20,900*	55.3	263.2	21,800										135
140	40.9	239.1	16,500*	46.0	249.1	18,600*	48.8	253.8	19,900*	53.2	259.6	20,700	57.3	263.1	18,500							140
145	38.2	233.1	15,700*	43.6	244.1	17,700*	46.5	249.2	18,900*	51.1	255.7	19,600	55.3	259.8	17,500							145
150	35.4	226.4	14,900*	41.1	238.6	16,800*	44.2	244.3	18,000*	48.9	251.5	18,700	53.2	256.2	16,700							150
155	32.4	219.0	14,200*	38.4	232.6	15,900*	41.7	238.9	17,100*	46.6	247.0	17,800	51.1	252.3	15,900							155
160	29.1	210.6	13,500*	35.6	226.0	15,100*	39.1	233.0	16,200*	44.3	242.0	17,000	48.9	248.1	15,100	53.0	251.7	13,300				160
165	25.4	200.8	12,800*	32.6	218.6	14,400*	36.3	226.6	15,400*	41.8	236.7	16,200	46.6	243.5	14,400	50.9	247.8	12,600				165
170	21.1	189.2	11,900*	29.4	210.3	13,600*	33.4	219.4	14,600*	39.2	230.8	15,500	44.2	238.6	13,700	48.7	243.5	12,000				170
175	15.8	174.3	11,100*	25.7	200.7	12,900*	30.2	211.3	13,900*	36.4	224.4	14,800	41.7	233.2	13,100	46.4	239.0	11,400				175
180	7.5	150.0	10,400*	21.5	189.3	12,000*	26.6	202.1	13,100*	33.5	217.2	14,100	39.1	227.4	12,500	44.0	234.0	10,900				180
185				16.3	174.7	11,200*	22.6	191.2	12,200*	30.3	209.2	13,500	36.4	220.9	11,900	41.5	228.6	10,400	46.0	233.2	8,900	185
190				8.5	152.0	10,500*	17.7	177.6	11,400*	26.8	200.0	12,900	33.4	213.8	11,400	38.9	222.7	9,900	43.6	228.2	8,400	190
195							10.9	157.9	10,700*	22.8	189.2	12,300*	30.3	205.7	10,900	36.2	216.2	9,400	41.1	222.7	8,000	195
200										17.9	175.7	11,500*	26.7	196.5	10,400	33.2	209.0	9,000	38.5	216.7	7,600	200
205										11.2	156.4	10,800*	22.7	185.6	9,900	30.0	200.8	8,600	35.7	210.1	7,200	205
210													17.8	172.1	9,500	26.4	191.5	8,200	32.7	202.7	6,900	210
215													11.1	152.7	9,000	22.3	180.5	7,800	29.4	194.4	6,500	215
220																17.4	166.6	7,400	25.8	184.9	6,200	220
225																10.3	146.3	7,000	21.6	173.5	5,800	225
230																			16.4	159.0	5,500	230
235																			8.7	136.5	5,200	235

S/N: 8885093

MANITOWOC ENGINEERING CO.

Division of the Manitowoc Company, Inc. Manitowoc, Wisconsin 54220



LIFTCRANE LUFFING JIB CAPACITIES

DESIGNED AND TESTED
WITH THE INTENT TO BE
THE SCOPE OF ANSI B30.5

888 SERIES 1

**LUFFING JIB NO. 135 ON BOOM NO. 22EL
144,100 LB. COUNTERWEIGHT
28'2" CRAWLERS EXTENDED
360 DEGREE RATING**

130 FT. BOOM, 70 FT. JIB

JIB OPER. RAD. FEET	88 DEGREE BOOM ANGLE			83 DEGREE BOOM ANGLE			80 DEGREE BOOM ANGLE			75 DEGREE BOOM ANGLE			70 DEGREE BOOM ANGLE			65 DEGREE BOOM ANGLE			60 DEGREE BOOM ANGLE			JIB OPER. RAD. FEET
	JIB ANG. DEG.	JIB POINT ELEV. FEET	LUFFING JIB CAPACITY POUNDS	JIB ANG. DEG.	JIB POINT ELEV. FEET	LUFFING JIB CAPACITY POUNDS	JIB ANG. DEG.	JIB POINT ELEV. FEET	LUFFING JIB CAPACITY POUNDS	JIB ANG. DEG.	JIB POINT ELEV. FEET	LUFFING JIB CAPACITY POUNDS	JIB ANG. DEG.	JIB POINT ELEV. FEET	LUFFING JIB CAPACITY POUNDS	JIB ANG. DEG.	JIB POINT ELEV. FEET	LUFFING JIB CAPACITY POUNDS	JIB ANG. DEG.	JIB POINT ELEV. FEET	LUFFING JIB CAPACITY POUNDS	
45	61.7	199.5	98,200* ^b																			45
50	56.9	196.6	94,000* ^b																			50
55	51.9	193.0	90,300* ^b	62.9	199.1	84,700 ^b																55
60	46.5	188.7	81,500	58.2	196.3	75,700 ^b																60
65	40.5	183.4	73,600	53.2	192.9	68,400 ^b	59.8	196.2	65,300 ^b													65
70	33.7	176.8	67,000	47.9	188.8	62,300	54.9	193.0	59,500 ^b													70
75	25.4	168.0	61,400	42.1	183.8	57,100	49.8	189.1	54,500	60.8	194.1	50,200 ^b										75
80	13.0	153.6	53,100*	35.6	177.6	52,700	44.2	184.5	50,300	56.0	191.1	46,300 ^b										80
85				27.8	169.5	48,800	37.9	178.7	46,600	50.9	187.4	42,800 ^b										85
90				17.0	157.3	45,300	30.7	171.4	43,300	45.4	182.9	39,800	56.7	188.0	36,400 ^b							90
95							21.3	161.2	40,400	39.3	177.4	37,200	51.7	184.4	34,000 ^b							95
100										32.3	170.4	34,800	46.2	180.0	31,800							100
105										23.5	161.0	32,700	40.3	174.7	29,900	52.1	180.2	27,100 ^b				105
110										8.8	143.7	30,600	33.4	168.0	28,100	46.7	175.9	25,500				110
115													25.0	159.1	26,400	40.8	170.6	24,000				115
120													12.2	144.2	24,900	34.0	164.1	22,600	46.7	170.4	20,300	120
125																25.8	155.4	21,400	40.7	165.2	19,200	125
130																13.7	141.5	20,200	34.0	158.6	18,200	130
135																			25.7	149.9	17,200	135
140																			13.6	135.9	16,200	140

S/N: 8885093

MANITOWOC ENGINEERING CO.

Division of the Manitowoc Company, Inc. Manitowoc, Wisconsin 54220



LIFTCRANE LUFFING JIB CAPACITIES

DESIGNED AND TESTED
WITH THE INTENT TO BE
THE SCOPE OF ANSI B30.5

888 SERIES 1

**LUFFING JIB NO. 135 ON BOOM NO. 22EL
144,100 LB. COUNTERWEIGHT
28'2" CRAWLERS EXTENDED
360 DEGREE RATING**

130 FT. BOOM, 80 FT. JIB

JIB OPER. RAD. FEET	88 DEGREE BOOM ANGLE			83 DEGREE BOOM ANGLE			80 DEGREE BOOM ANGLE			75 DEGREE BOOM ANGLE			70 DEGREE BOOM ANGLE			65 DEGREE BOOM ANGLE			60 DEGREE BOOM ANGLE			JIB OPER. RAD. FEET	
	JIB ANG. DEG.	JIB POINT ELEV. FEET	LUFFING JIB CAPACI TY POUNDS	JIB ANG. DEG.	JIB POINT ELEV. FEET	LUFFING JIB CAPACI TY POUNDS	JIB ANG. DEG.	JIB POINT ELEV. FEET	LUFFING JIB CAPACI TY POUNDS	JIB ANG. DEG.	JIB POINT ELEV. FEET	LUFFING JIB CAPACI TY POUNDS	JIB ANG. DEG.	JIB POINT ELEV. FEET	LUFFING JIB CAPACI TY POUNDS	JIB ANG. DEG.	JIB POINT ELEV. FEET	LUFFING JIB CAPACI TY POUNDS	JIB ANG. DEG.	JIB POINT ELEV. FEET	LUFFING JIB CAPACI TY POUNDS		
45	65.5	210.7	88,000* ^b																			45	
50	61.5	208.2	84,200* ^b																			50	
55	57.3	205.2	80,500* ^b	66.5	210.2	84,400 ^b																55	
60	52.9	201.8	77,300* ^b	62.5	207.8	75,400 ^b																60	
65	48.3	197.6	73,400	58.4	205.0	68,100 ^b	63.9	207.5	65,000 ^b													65	
70	43.3	192.8	66,900	54.1	201.6	62,000	59.8	204.9	59,100 ^b													70	
75	37.8	186.9	61,300	49.5	197.7	56,900	55.6	201.7	54,200													75	
80	31.5	179.7	56,500	44.6	193.0	52,400	51.1	198.0	50,000	60.7	202.8	45,900 ^b										80	
85	23.8	170.2	52,400	39.3	187.5	48,600	46.4	193.6	46,300	56.5	199.8	42,500										85	
90	12.1	154.7	46,100*	33.2	180.7	45,200	41.2	188.4	43,100	52.1	196.2	39,500										90	
95				26.0	171.9	42,200	35.4	182.0	40,200	47.4	191.9	36,900	57.1	196.6	33,600								95
100				15.9	158.8	39,400	28.6	174.1	37,600	42.3	186.9	34,500	52.8	193.1	31,400								100
105							19.9	163.0	35,300	36.7	180.8	32,400	48.1	189.0	29,500								105
110										30.1	173.2	30,500	43.1	184.1	27,700								110
115										22.0	163.0	28,700	37.6	178.2	26,100	48.5	184.8	23,600					115
120										8.2	144.5	27,000	31.2	170.9	24,700	43.5	180.0	22,300					120
125													23.4	161.2	23,300	38.0	174.2	21,000					125
130													11.4	145.3	22,000	31.8	167.0	19,900	43.5	174.6	17,800		130
135																24.1	157.6	18,900	38.0	168.8	16,800		135
140																12.8	142.6	17,800	31.7	161.6	16,000		140
145																			24.1	152.1	15,100		145
150																			12.7	137.1	14,300		150

S/N: 8885093

MANITOWOC ENGINEERING CO.

Division of the Manitowoc Company, Inc. Manitowoc, Wisconsin 54220



LIFTCRANE LUFFING JIB CAPACITIES

DESIGNED AND TESTED
WITH THE INTENT TO BE
THE SCOPE OF ANSI B30.5

888 SERIES 1

LUFFING JIB NO. 135 ON BOOM NO. 22EL
144,100 LB. COUNTERWEIGHT
28'2" CRAWLERS EXTENDED
360 DEGREE RATING

130 FT. BOOM, 90 FT. JIB

JIB OPER. RAD. FEET	88 DEGREE BOOM ANGLE			83 DEGREE BOOM ANGLE			80 DEGREE BOOM ANGLE			75 DEGREE BOOM ANGLE			70 DEGREE BOOM ANGLE			65 DEGREE BOOM ANGLE			60 DEGREE BOOM ANGLE			JIB OPER. RAD. FEET
	JIB ANG. DEG.	JIB POINT ELEV. FEET	LUFFING JIB CAPACITY POUNDS	JIB ANG. DEG.	JIB POINT ELEV. FEET	LUFFING JIB CAPACITY POUNDS	JIB ANG. DEG.	JIB POINT ELEV. FEET	LUFFING JIB CAPACITY POUNDS	JIB ANG. DEG.	JIB POINT ELEV. FEET	LUFFING JIB CAPACITY POUNDS	JIB ANG. DEG.	JIB POINT ELEV. FEET	LUFFING JIB CAPACITY POUNDS	JIB ANG. DEG.	JIB POINT ELEV. FEET	LUFFING JIB CAPACITY POUNDS	JIB ANG. DEG.	JIB POINT ELEV. FEET	LUFFING JIB CAPACITY POUNDS	
45	68.3	221.6	79,800* ^b																			45
50	64.9	219.4	76,400* ^b																			50
55	61.3	216.9	73,300* ^b	69.2	221.0	81,800* ^b																55
60	57.6	213.9	70,400*	65.8	218.9	75,200 ^b																60
65	53.8	210.5	67,600*	62.2	216.5	67,900 ^b	67.0	218.5	64,700 ^b													65
70	49.7	206.5	65,200*	58.6	213.6	61,800	63.5	216.2	58,900 ^b													70
75	45.4	202.0	61,200	54.8	210.3	56,700	59.8	213.5	54,000													75
80	40.7	196.6	56,500	50.8	206.5	52,300	56.1	210.4	49,800													80
85	35.6	190.3	52,300	46.5	202.1	48,400	52.2	206.8	46,100	60.6	211.5	42,200										85
90	29.7	182.4	48,700	42.0	197.0	45,100	48.0	202.6	42,900	56.9	208.4	39,300										90
95	22.4	172.2	45,400	37.0	190.9	42,100	43.6	197.7	40,000	53.0	204.9	36,600										95
100	11.4	155.7	41,200*	31.3	183.5	39,400	38.7	192.0	37,500	48.9	200.9	34,300	57.5	205.3	31,200							100
105				24.5	174.1	37,000	33.3	185.1	35,200	44.5	196.2	32,200	53.6	201.9	29,200							105
110				15.0	160.2	34,800	27.0	176.5	33,200	39.8	190.6	30,300	49.5	197.9	27,500							110
115							18.8	164.7	31,300	34.5	184.0	28,600	45.2	193.3	25,900							115
120										28.4	175.8	27,000	40.5	187.9	24,500	49.9	193.7	22,000				120
125										20.7	164.9	25,600	35.3	181.5	23,200	45.6	189.2	20,800				125
130										7.7	145.2	24,100	29.4	173.6	22,000	40.9	183.9	19,700				130
135													22.0	163.2	20,800	35.8	177.6	18,700	45.5	183.7	16,600	135
140													10.7	146.2	19,700	29.9	169.8	17,700	40.9	178.4	15,700	140
145																22.7	159.7	16,800	35.7	172.1	14,900	145
150																12.0	143.7	16,000	29.9	164.3	14,200	150
155																			22.7	154.2	13,500	155
160																			11.9	138.2	12,700	160

S/N: 8885093

MANITOWOC ENGINEERING CO.

Division of the Manitowoc Company, Inc. Manitowoc, Wisconsin 54220



LIFTCRANE LUFFING JIB CAPACITIES

DESIGNED AND TESTED
WITH THE INTENT TO BE
THE SCOPE OF ANSI B30.5

888 SERIES 1

**LUFFING JIB NO. 135 ON BOOM NO. 22EL
144,100 LB. COUNTERWEIGHT
28'2" CRAWLERS EXTENDED
360 DEGREE RATING**

130 FT. BOOM, 100 FT. JIB

JIB OPER. RAD. FEET	88 DEGREE BOOM ANGLE			83 DEGREE BOOM ANGLE			80 DEGREE BOOM ANGLE			75 DEGREE BOOM ANGLE			70 DEGREE BOOM ANGLE			65 DEGREE BOOM ANGLE			60 DEGREE BOOM ANGLE			JIB OPER. RAD. FEET
	JIB ANG. DEG.	JIB POINT ELEV. FEET	LUFFING JIB CAPACITY POUNDS	JIB ANG. DEG.	JIB POINT ELEV. FEET	LUFFING JIB CAPACITY POUNDS	JIB ANG. DEG.	JIB POINT ELEV. FEET	LUFFING JIB CAPACITY POUNDS	JIB ANG. DEG.	JIB POINT ELEV. FEET	LUFFING JIB CAPACITY POUNDS	JIB ANG. DEG.	JIB POINT ELEV. FEET	LUFFING JIB CAPACITY POUNDS	JIB ANG. DEG.	JIB POINT ELEV. FEET	LUFFING JIB CAPACITY POUNDS	JIB ANG. DEG.	JIB POINT ELEV. FEET	LUFFING JIB CAPACITY POUNDS	
45	70.6	232.2	74,500* ^b																			45
50	67.5	230.3	71,300* ^b																			50
55	64.4	228.1	68,200*																			55
60	61.2	225.5	65,300*	68.3	229.8	73,000* ^b																60
65	57.8	222.6	62,700*	65.2	227.6	67,600																65
70	54.4	219.2	60,100*	62.0	225.1	61,500	66.3	227.3	58,500 ^b													70
75	50.8	215.4	57,800*	58.7	222.3	56,400	63.1	224.9	53,600													75
80	47.0	211.0	55,600*	55.3	219.0	52,000	59.9	222.2	49,400													80
85	42.9	206.0	52,100	51.7	215.3	48,100	56.5	219.1	45,800													85
90	38.5	200.2	48,500	48.0	211.1	44,800	53.0	215.5	42,600	60.5	220.1	38,900										90
95	33.7	193.4	45,300	44.0	206.3	41,800	49.3	211.5	39,700	57.2	217.1	36,300										95
100	28.1	185.0	42,400	39.7	200.7	39,200	45.4	206.9	37,200	53.7	213.7	33,900										100
105	21.2	174.1	39,800	35.0	194.2	36,800	41.2	201.6	34,900	50.1	209.7	31,900	57.7	214.0	28,800							105
110	10.8	156.7	36,800*	29.6	186.3	34,600	36.7	195.4	32,900	46.2	205.3	30,000	54.3	210.6	27,100							110
115				23.2	176.2	32,700	31.6	188.0	31,000	42.1	200.1	28,300	50.6	206.8	25,600							115
120				14.2	161.4	30,900	25.6	178.9	29,300	37.6	194.1	26,700	46.8	202.4	24,100							120
125							17.8	166.3	27,800	32.7	187.0	25,300	42.8	197.3	22,800	50.9	202.6	20,400				125
130										26.9	178.3	24,000	38.4	191.5	21,600	47.1	198.2	19,300				130
135										19.6	166.7	22,700	33.5	184.6	20,500	43.1	193.3	18,300				135
140										7.3	145.8	21,500	27.8	176.2	19,500	38.7	187.5	17,400	47.1	192.8	15,300	140
145													20.9	165.1	18,500	33.9	180.7	16,500	43.1	187.8	14,500	145
150													10.2	147.1	17,500	28.3	172.4	15,700	38.7	182.0	13,800	150
155																21.5	161.6	14,900	33.8	175.2	13,100	155
160																11.4	144.7	14,100	28.3	166.9	12,500	160
165																			21.5	156.2	11,800	165
170																			11.3	139.2	11,200	170

S/N: 8885093

MANITOWOC ENGINEERING CO.

Division of the Manitowoc Company, Inc. Manitowoc, Wisconsin 54220



LIFTCRANE LUFFING JIB CAPACITIES

DESIGNED AND TESTED
WITH THE INTENT TO BE
THE SCOPE OF ANSI B30.5

888 SERIES 1

LUFFING JIB NO. 135 ON BOOM NO. 22EL
144,100 LB. COUNTERWEIGHT
28'2" CRAWLERS EXTENDED
360 DEGREE RATING

130 FT. BOOM, 110 FT. JIB

JIB OPER. RAD. FEET	88 DEGREE BOOM ANGLE			83 DEGREE BOOM ANGLE			80 DEGREE BOOM ANGLE			75 DEGREE BOOM ANGLE			70 DEGREE BOOM ANGLE			65 DEGREE BOOM ANGLE			60 DEGREE BOOM ANGLE			JIB OPER. RAD. FEET
	JIB ANG. DEG.	JIB POINT ELEV. FEET	LUFFING JIB CAPACITY POUNDS	JIB ANG. DEG.	JIB POINT ELEV. FEET	LUFFING JIB CAPACITY POUNDS	JIB ANG. DEG.	JIB POINT ELEV. FEET	LUFFING JIB CAPACITY POUNDS	JIB ANG. DEG.	JIB POINT ELEV. FEET	LUFFING JIB CAPACITY POUNDS	JIB ANG. DEG.	JIB POINT ELEV. FEET	LUFFING JIB CAPACITY POUNDS	JIB ANG. DEG.	JIB POINT ELEV. FEET	LUFFING JIB CAPACITY POUNDS	JIB ANG. DEG.	JIB POINT ELEV. FEET	LUFFING JIB CAPACITY POUNDS	
45	72.4	242.8	69,800* ^b																			45
50	69.7	241.1	67,300* ^b																			50
55	66.9	239.1	64,800*																			55
60	64.0	236.8	62,500*	70.4	240.4	68,500* ^b																60
65	61.1	234.2	60,200*	67.6	238.5	66,300*																65
70	58.0	231.2	57,900*	64.7	236.3	61,500																70
75	54.9	227.9	55,700*	61.8	233.8	56,300	65.7	236.0	53,600													75
80	51.7	224.2	53,600*	58.8	231.0	51,900	62.8	233.6	49,400													80
85	48.3	220.0	51,700*	55.7	227.7	48,100	59.9	230.8	45,700													85
90	44.7	215.3	48,500	52.5	224.1	44,700	56.8	227.8	42,500													90
95	40.8	209.9	45,300	49.2	220.1	41,800	53.6	224.3	39,700	60.5	228.8	36,200										95
100	36.7	203.6	42,500	45.6	215.5	39,200	50.3	220.4	37,200	57.5	225.8	33,900										100
105	32.1	196.3	39,900	41.9	210.2	36,800	46.9	216.0	34,900	54.3	222.4	31,800										105
110	26.8	187.4	37,600	37.8	204.2	34,700	43.2	211.0	32,900	51.0	218.6	30,000	57.9	222.7	27,100							110
115	20.2	175.9	35,500	33.3	197.2	32,700	39.2	205.3	31,000	47.6	214.3	28,300	54.8	219.3	25,500							115
120	10.3	157.7	32,200*	28.2	188.8	31,000	34.9	198.6	29,400	44.0	209.4	26,700	51.5	215.6	24,100							120
125				22.1	178.2	29,300	30.1	190.8	27,800	40.1	203.9	25,300	48.1	211.4	22,800							125
130				13.6	162.7	27,800	24.4	181.1	26,400	35.8	197.5	24,000	44.5	206.6	21,600	51.8	211.4	19,300				130
135							17.0	167.8	25,100	31.1	189.9	22,800	40.7	201.2	20,500	48.4	207.2	18,300				135
140										25.6	180.6	21,700	36.5	194.9	19,500	44.8	202.5	17,400				140
145										18.7	168.4	20,600	31.9	187.5	18,500	41.0	197.1	16,500				145
150										7.0	146.5	19,600	26.5	178.6	17,700	36.9	190.9	15,700	44.8	197.0	13,800	150
155													19.9	166.9	16,800	32.3	183.7	14,900	41.0	191.7	13,100	155
160													9.7	148.0	16,000	27.0	174.9	14,200	36.8	185.5	12,500	160
165																20.5	163.5	13,500	32.2	178.2	11,900	165
170																10.9	145.7	12,900	27.0	169.4	11,300	170
175																20.5	158.0	10,700	20.5	158.0	10,700	175
180																10.8	140.1	10,200	10.8	140.1	10,200	180

S/N: 8885093

MANITOWOC ENGINEERING CO.

Division of the Manitowoc Company, Inc. Manitowoc, Wisconsin 54220



LIFTCRANE LUFFING JIB CAPACITIES

DESIGNED AND TESTED
WITH THE INTENT TO BE
THE SCOPE OF ANSI B30.5

888 SERIES 1

LUFFING JIB NO. 135 ON BOOM NO. 22EL
144,100 LB. COUNTERWEIGHT
28'2" CRAWLERS EXTENDED
360 DEGREE RATING

130 FT. BOOM, 120 FT. JIB

JIB OPER. RAD. FEET	88 DEGREE BOOM ANGLE			83 DEGREE BOOM ANGLE			80 DEGREE BOOM ANGLE			75 DEGREE BOOM ANGLE			70 DEGREE BOOM ANGLE			65 DEGREE BOOM ANGLE			60 DEGREE BOOM ANGLE			JIB OPER. RAD. FEET
	JIB ANG. DEG.	JIB POINT ELEV. FEET	LUFFING JIB CAPACITY POUNDS	JIB ANG. DEG.	JIB POINT ELEV. FEET	LUFFING JIB CAPACITY POUNDS	JIB ANG. DEG.	JIB POINT ELEV. FEET	LUFFING JIB CAPACITY POUNDS	JIB ANG. DEG.	JIB POINT ELEV. FEET	LUFFING JIB CAPACITY POUNDS	JIB ANG. DEG.	JIB POINT ELEV. FEET	LUFFING JIB CAPACITY POUNDS	JIB ANG. DEG.	JIB POINT ELEV. FEET	LUFFING JIB CAPACITY POUNDS	JIB ANG. DEG.	JIB POINT ELEV. FEET	LUFFING JIB CAPACITY POUNDS	
45	73.9	253.2	57,200* ^b																			45
50	71.4	251.7	56,000* ^b																			50
55	68.9	249.9	55,000*																			55
60	66.3	247.8	53,300*																			60
65	63.7	245.5	51,300*	69.6	249.3	56,200*																65
70	61.0	242.8	49,300*	67.0	247.3	54,400*																70
75	58.2	239.9	47,400*	64.4	245.0	52,400*	67.9	246.9	53,200													75
80	55.4	236.6	45,500*	61.7	242.5	50,400*	65.3	244.7	49,000													80
85	52.4	233.0	43,800*	58.9	239.6	47,800	62.6	242.2	45,400													85
90	49.3	228.9	42,200*	56.1	236.4	44,400	59.9	239.5	42,200													90
95	46.1	224.4	40,600*	53.2	232.9	41,500	57.1	236.4	39,400													95
100	42.7	219.3	39,200*	50.1	228.9	38,900	54.2	233.0	36,800	60.5	237.4	33,500										100
105	39.0	213.5	37,900*	46.9	224.5	36,500	51.2	229.2	34,600	57.7	234.5	31,400										105
110	35.1	206.9	36,700*	43.6	219.6	34,400	48.1	225.0	32,600	54.8	231.1	29,600										110
115	30.7	199.1	35,300	40.0	214.0	32,500	44.8	220.2	30,700	51.8	227.4	27,900										115
120	25.6	189.8	33,400	36.1	207.6	30,700	41.3	214.8	29,100	48.7	223.2	26,400	55.2	228.0	23,700							120
125	19.4	177.7	31,700	31.9	200.2	29,100	37.5	208.7	27,500	45.5	218.6	25,000	52.3	224.4	22,400							125
130	9.9	158.5	28,800*	27.0	191.3	27,600	33.4	201.7	26,100	42.0	213.3	23,700	49.2	220.3	21,200							130
135				21.1	180.1	26,200	28.7	193.4	24,800	38.3	207.4	22,500	46.0	215.7	20,100	52.5	220.2	17,900				135
140				13.0	163.8	24,900	23.3	183.2	23,600	34.3	200.6	21,400	42.5	210.6	19,100	49.4	216.1	17,000				140
145							16.2	169.3	22,500	29.8	192.6	20,300	38.9	204.8	18,200	46.2	211.6	16,100				145
150										24.5	182.9	19,400	34.9	198.1	17,300	42.8	206.5	15,300				150
155										17.9	170.0	18,500	30.5	190.3	16,500	39.2	200.7	14,600	46.2	206.1	12,700	155
160										6.7	147.1	17,600	25.4	180.9	15,700	35.2	194.2	13,900	42.8	201.1	12,100	160
165													19.1	168.6	15,000	30.9	186.5	13,200	39.2	195.3	11,500	165
170													9.3	148.8	14,300	25.8	177.2	12,600	35.2	188.7	10,900	170
175																19.6	165.3	12,000	30.8	181.0	10,400	175
180																10.4	146.6	11,400	25.8	171.7	9,900	180
185																			19.6	159.8	9,400	185
190																			10.3	141.1	8,900	190

S/N: 8885093

MANITOWOC ENGINEERING CO.

Division of the Manitowoc Company, Inc. Manitowoc, Wisconsin 54220



LIFTCRANE LUFFING JIB CAPACITIES

DESIGNED AND TESTED
WITH THE INTENT TO BE
THE SCOPE OF ANSI B30.5

888 SERIES 1

LUFFING JIB NO. 135 ON BOOM NO. 22EL
144,100 LB. COUNTERWEIGHT
28'2" CRAWLERS EXTENDED
360 DEGREE RATING

130 FT. BOOM, 130 FT. JIB

JIB OPER. RAD. FEET	88 DEGREE BOOM ANGLE			83 DEGREE BOOM ANGLE			80 DEGREE BOOM ANGLE			75 DEGREE BOOM ANGLE			70 DEGREE BOOM ANGLE			65 DEGREE BOOM ANGLE			60 DEGREE BOOM ANGLE			JIB OPER. RAD. FEET
	JIB ANG. DEG.	JIB POINT ELEV. FEET	LUFFING JIB CAPACITY POUNDS	JIB ANG. DEG.	JIB POINT ELEV. FEET	LUFFING JIB CAPACITY POUNDS	JIB ANG. DEG.	JIB POINT ELEV. FEET	LUFFING JIB CAPACITY POUNDS	JIB ANG. DEG.	JIB POINT ELEV. FEET	LUFFING JIB CAPACITY POUNDS	JIB ANG. DEG.	JIB POINT ELEV. FEET	LUFFING JIB CAPACITY POUNDS	JIB ANG. DEG.	JIB POINT ELEV. FEET	LUFFING JIB CAPACITY POUNDS	JIB ANG. DEG.	JIB POINT ELEV. FEET	LUFFING JIB CAPACITY POUNDS	
45	75.2	263.6	53,500*																			45
50	72.9	262.2	52,500*																			50
55	70.6	260.5	51,200*																			55
60	68.2	258.6	49,300*																			60
65	65.8	256.5	47,500*																			65
70	63.4	254.1	45,700*	68.8	258.1	50,200*																70
75	60.9	251.5	43,900*	66.5	256.0	48,400*																75
80	58.4	248.6	42,200*	64.0	253.7	46,600*	67.3	255.6	48,700													80
85	55.7	245.3	40,700*	61.6	251.1	44,900*	64.9	253.4	45,100													85
90	53.0	241.8	39,100*	59.0	248.3	43,200*	62.4	250.9	41,900													90
95	50.2	237.8	37,700*	56.4	245.1	41,300	59.9	248.2	39,100													95
100	47.3	233.4	36,300*	53.7	241.6	38,600	57.3	245.1	36,600	62.9	248.8	33,200										100
105	44.2	228.5	35,000*	50.9	237.8	36,300	54.7	241.7	34,400	60.4	246.1	31,200										105
110	40.9	223.1	33,700*	48.0	233.5	34,200	51.9	238.0	32,300	57.8	243.1	29,300										110
115	37.4	216.9	32,600*	45.0	228.7	32,300	49.0	233.9	30,500	55.2	239.8	27,600										115
120	33.7	210.0	31,500*	41.8	223.5	30,500	46.1	229.3	28,900	52.5	236.2	26,100										120
125	29.4	201.8	30,500*	38.4	217.5	28,900	42.9	224.2	27,300	49.6	232.1	24,700	55.6	236.7	22,100							125
130	24.6	192.0	29,600*	34.7	210.8	27,400	39.6	218.5	25,900	46.7	227.6	23,400	52.9	233.1	21,000							130
135	18.6	179.4	28,500	30.6	203.0	26,100	36.0	212.1	24,600	43.6	222.7	22,200	50.1	229.2	19,900							135
140	9.5	159.4	25,700*	25.9	193.6	24,800	32.0	204.7	23,400	40.3	217.1	21,100	47.1	224.8	18,900							140
145				20.3	181.9	23,600	27.6	195.9	22,300	36.7	210.8	20,100	44.1	219.9	18,000	50.3	225.0	15,800				145
150				12.5	164.9	22,500	22.4	185.2	21,300	32.9	203.6	19,200	40.8	214.4	17,100	47.4	220.6	15,000				150
155							15.6	170.7	20,300	28.6	195.2	18,300	37.3	208.2	16,300	44.3	215.8	14,300				155
160										23.5	185.0	17,400	33.5	201.2	15,500	41.1	210.3	13,600	47.4	215.2	11,800	160
165										17.2	171.5	16,600	29.3	193.0	14,800	37.6	204.2	13,000	44.3	210.3	11,200	165
170										6.4	147.6	15,800	24.4	183.1	14,100	33.8	197.3	12,400	41.0	204.9	10,700	170
175													18.3	170.3	13,500	29.6	189.2	11,800	37.6	198.8	10,100	175
180													8.9	149.6	12,800	24.8	179.4	11,200	33.8	191.8	9,600	180
185																18.9	167.0	10,700	29.6	183.7	9,200	185
190																10.0	147.5	10,200	24.8	174.0	8,700	190
195																			18.8	161.5	8,300	195
200																			9.9	142.0	7,900	200

S/N: 8885093

MANITOWOC ENGINEERING CO.

Division of the Manitowoc Company, Inc. Manitowoc, Wisconsin 54220



LIFTCRANE LUFFING JIB CAPACITIES

DESIGNED AND TESTED
WITH THE INTENT TO BE
THE SCOPE OF ANSI B30.5

888 SERIES 1

LUFFING JIB NO. 135 ON BOOM NO. 22EL
144,100 LB. COUNTERWEIGHT
28'2" CRAWLERS EXTENDED
360 DEGREE RATING

130 FT. BOOM, 140 FT. JIB

JIB OPER. RAD. FEET	88 DEGREE BOOM ANGLE			83 DEGREE BOOM ANGLE			80 DEGREE BOOM ANGLE			75 DEGREE BOOM ANGLE			70 DEGREE BOOM ANGLE			65 DEGREE BOOM ANGLE			60 DEGREE BOOM ANGLE			JIB OPER. RAD. FEET
	JIB ANG. DEG.	JIB POINT ELEV. FEET	LUFFING JIB CAPACITY POUNDS	JIB ANG. DEG.	JIB POINT ELEV. FEET	LUFFING JIB CAPACITY POUNDS	JIB ANG. DEG.	JIB POINT ELEV. FEET	LUFFING JIB CAPACITY POUNDS	JIB ANG. DEG.	JIB POINT ELEV. FEET	LUFFING JIB CAPACITY POUNDS	JIB ANG. DEG.	JIB POINT ELEV. FEET	LUFFING JIB CAPACITY POUNDS	JIB ANG. DEG.	JIB POINT ELEV. FEET	LUFFING JIB CAPACITY POUNDS	JIB ANG. DEG.	JIB POINT ELEV. FEET	LUFFING JIB CAPACITY POUNDS	
50	74.2	272.6	48,900*																			50
55	72.0	271.1	47,300*																			55
60	69.9	269.3	45,500*																			60
65	67.7	267.4	43,700*																			65
70	65.4	265.2	42,000*	70.4	268.7	46,100*																70
75	63.2	262.8	40,400*	68.2	266.8	44,500*																75
80	60.8	260.2	38,800*	66.0	264.7	42,800*																80
85	58.5	257.2	37,200*	63.7	262.4	41,200*	66.8	264.4	43,200*													85
90	56.0	254.0	35,700*	61.4	259.8	39,600*	64.5	262.1	41,600													90
95	53.5	250.5	34,300*	59.1	256.9	38,100*	62.2	259.6	38,800													95
100	50.9	246.6	33,000*	56.7	253.8	36,600*	59.9	256.8	36,300													100
105	48.3	242.4	31,700*	54.2	250.4	35,200*	57.5	253.8	34,000	62.7	257.5	30,800										105
110	45.4	237.7	30,400*	51.6	246.6	33,800*	55.0	250.4	32,000	60.4	254.8	29,000										110
115	42.5	232.5	29,200*	49.0	242.4	32,000	52.5	246.8	30,200	58.0	251.8	27,300										115
120	39.4	226.7	28,100*	46.2	237.8	30,200	49.9	242.8	28,500	55.6	248.5	25,800										120
125	36.0	220.3	27,100*	43.3	232.8	28,600	47.2	238.3	27,000	53.0	244.9	24,400										125
130	32.4	212.9	26,000*	40.2	227.2	27,200	44.3	233.5	25,600	50.4	241.0	23,100	55.9	245.4	20,600							130
135	28.3	204.4	25,100*	36.9	220.9	25,800	41.3	228.1	24,300	47.7	236.6	21,900	53.4	241.9	19,500							135
140	23.7	194.1	24,300*	33.4	213.8	24,600	38.1	222.0	23,100	44.9	231.9	20,800	50.8	238.0	18,500							140
145	17.9	181.0	23,600*	29.4	205.6	23,400	34.6	215.2	22,000	41.9	226.6	19,800	48.1	233.7	17,600							145
150				25.0	195.9	22,300	30.8	207.5	21,000	38.8	220.7	18,900	45.3	229.0	16,700	51.0	233.8	14,600				150
155	9.2	160.2	23,000*	19.6	183.7	21,300	26.6	198.3	20,000	35.4	214.1	18,000	42.4	223.8	15,900	48.4	229.6	13,900				155
160				12.0	166.0	20,300	21.6	187.1	19,100	31.6	206.5	17,100	39.2	218.0	15,200	45.6	224.9	13,200				160
165							15.0	172.0	18,300	27.5	197.7	16,400	35.9	211.5	14,500	42.6	219.7	12,600				165
170										22.7	187.0	15,600	32.2	204.1	13,800	39.5	214.0	12,000	45.5	219.5	10,300	170
175										16.6	173.0	14,900	28.2	195.5	13,200	36.2	207.6	11,400	42.6	214.3	9,700	175
180										6.2	148.2	14,200	23.5	185.2	12,600	32.5	200.2	10,900	39.5	208.5	9,300	180
185													17.6	171.9	12,000	28.5	191.8	10,400	36.1	202.1	8,800	185
190													8.6	150.4	11,400	23.9	181.6	9,900	32.5	194.8	8,400	190
195																18.2	168.6	9,400	28.5	186.3	7,900	195
200																9.6	148.4	8,900	23.8	176.1	7,500	200
205																			18.1	163.1	7,200	205
210																			9.6	142.8	6,800	210

S/N: 8885093

MANITOWOC ENGINEERING CO.

Division of the Manitowoc Company, Inc. Manitowoc, Wisconsin 54220



LIFTCRANE LUFFING JIB CAPACITIES

DESIGNED AND TESTED
WITH THE INTENT TO BE
THE SCOPE OF ANSI B30.5

888 SERIES 1

LUFFING JIB NO. 135 ON BOOM NO. 22EL
144,100 LB. COUNTERWEIGHT
28'2" CRAWLERS EXTENDED
360 DEGREE RATING

130 FT. BOOM, 150 FT. JIB

JIB OPER. RAD. FEET	88 DEGREE BOOM ANGLE			83 DEGREE BOOM ANGLE			80 DEGREE BOOM ANGLE			75 DEGREE BOOM ANGLE			70 DEGREE BOOM ANGLE			65 DEGREE BOOM ANGLE			60 DEGREE BOOM ANGLE			JIB OPER. RAD. FEET
	JIB ANG. DEG.	JIB POINT ELEV. FEET	LUFFING JIB CAPACITY POUNDS	JIB ANG. DEG.	JIB POINT ELEV. FEET	LUFFING JIB CAPACITY POUNDS	JIB ANG. DEG.	JIB POINT ELEV. FEET	LUFFING JIB CAPACITY POUNDS	JIB ANG. DEG.	JIB POINT ELEV. FEET	LUFFING JIB CAPACITY POUNDS	JIB ANG. DEG.	JIB POINT ELEV. FEET	LUFFING JIB CAPACITY POUNDS	JIB ANG. DEG.	JIB POINT ELEV. FEET	LUFFING JIB CAPACITY POUNDS	JIB ANG. DEG.	JIB POINT ELEV. FEET	LUFFING JIB CAPACITY POUNDS	
50	75.2	283.0	45,500*																			50
55	73.3	281.6	43,800*																			55
60	71.3	280.0	42,100*																			60
65	69.2	278.2	40,500*																			65
70	67.2	276.2	38,900*																			70
75	65.1	273.9	37,300*	69.7	277.6	41,000*																75
80	63.0	271.5	35,800*	67.7	275.6	39,500*																80
85	60.8	268.8	34,300*	65.6	273.4	38,000*																85
90	58.6	265.9	32,900*	63.5	271.1	36,500*	66.3	273.1	38,300*													90
95	56.3	262.7	31,500*	61.3	268.5	35,000*	64.2	270.8	36,900*													95
100	54.0	259.2	30,200*	59.1	265.6	33,600*	62.1	268.3	35,500*													100
105	51.6	255.4	28,900*	56.9	262.5	32,200*	59.9	265.5	33,900													105
110	49.1	251.3	27,700*	54.6	259.1	30,900*	57.7	262.5	31,900	62.5	266.2	28,800										110
115	46.5	246.8	26,500*	52.2	255.4	29,600*	55.4	259.2	30,100	60.4	263.4	27,200										115
120	43.8	241.8	25,400*	49.7	251.3	28,400*	53.0	255.5	28,400	58.1	260.5	25,600										120
125	41.0	236.3	24,400*	47.2	246.9	27,200*	50.6	251.6	26,900	55.9	257.2	24,300										125
130	38.0	230.2	23,400*	44.5	242.0	26,000*	48.1	247.3	25,500	53.5	253.7	23,000										130
135	34.8	223.5	22,400*	41.7	236.7	25,000*	45.5	242.6	24,300	51.1	249.8	21,800	56.2	254.1	19,400							135
140	31.3	215.8	21,500*	38.8	230.8	23,900*	42.7	237.5	23,100	48.6	245.6	20,700	53.9	250.6	18,400							140
145	27.4	206.9	20,700*	35.6	224.2	23,000*	39.8	231.8	22,000	46.0	241.0	19,700	51.5	246.8	17,500							145
150	22.9	196.2	19,900*	32.2	216.8	22,000*	36.7	225.4	20,900	43.3	235.9	18,800	49.0	242.7	16,600							150
155	17.3	182.5	19,300*	28.4	208.2	21,200*	33.4	218.3	20,000	40.4	230.3	17,900	46.4	238.1	15,800	51.7	242.6	13,800				155
160	8.8	161.0	18,700*	24.1	198.1	20,300	29.8	210.2	19,100	37.4	224.1	17,100	43.7	233.1	15,100	49.2	238.5	13,100				160
165				18.9	185.4	19,400	25.7	200.7	18,300	34.1	217.2	16,300	40.9	227.6	14,400	46.6	234.0	12,500				165
170				11.6	167.0	18,600	20.8	189.0	17,500	30.5	209.3	15,600	37.9	221.5	13,700	43.9	229.0	11,900				170
175							14.5	173.3	16,700	26.6	200.1	14,900	34.6	214.7	13,100	41.1	223.6	11,300	46.6	228.5	9,700	175
180										21.9	189.0	14,200	31.1	207.0	12,500	38.1	217.5	10,800	43.9	223.6	9,200	180
185										16.0	174.4	13,600	27.2	198.0	12,000	34.9	210.8	10,300	41.1	218.1	8,700	185
190										6.0	148.7	13,000	22.7	187.2	11,400	31.4	203.1	9,800	38.1	212.1	8,300	190
195													17.0	173.4	10,900	27.5	194.3	9,400	34.9	205.3	7,900	195
200													8.3	151.2	10,400	23.1	183.7	8,900	31.4	197.6	7,500	200
205																17.5	170.2	8,500	27.5	188.8	7,100	205
210																9.3	149.2	8,100	23.0	178.2	6,800	210
215																			17.5	164.7	6,400	215
220																			9.2	143.6	6,000	220

S/N: 8885093

MANITOWOC ENGINEERING CO.

Division of the Manitowoc Company, Inc. Manitowoc, Wisconsin 54220



LIFTCRANE LUFFING JIB CAPACITIES

DESIGNED AND TESTED
WITH THE INTENT TO BE
THE SCOPE OF ANSI B30.5

888 SERIES 1

LUFFING JIB NO. 135 ON BOOM NO. 22EL
144,100 LB. COUNTERWEIGHT
28'2" CRAWLERS EXTENDED
360 DEGREE RATING

130 FT. BOOM, 160 FT. JIB

JIB OPER. RAD. FEET	88 DEGREE BOOM ANGLE			83 DEGREE BOOM ANGLE			80 DEGREE BOOM ANGLE			75 DEGREE BOOM ANGLE			70 DEGREE BOOM ANGLE			65 DEGREE BOOM ANGLE			60 DEGREE BOOM ANGLE			JIB OPER. RAD. FEET			
	JIB ANG. DEG.	JIB POINT ELEV. FEET	LUFFING JIB CAPACITY POUNDS	JIB ANG. DEG.	JIB POINT ELEV. FEET	LUFFING JIB CAPACITY POUNDS	JIB ANG. DEG.	JIB POINT ELEV. FEET	LUFFING JIB CAPACITY POUNDS	JIB ANG. DEG.	JIB POINT ELEV. FEET	LUFFING JIB CAPACITY POUNDS	JIB ANG. DEG.	JIB POINT ELEV. FEET	LUFFING JIB CAPACITY POUNDS	JIB ANG. DEG.	JIB POINT ELEV. FEET	LUFFING JIB CAPACITY POUNDS	JIB ANG. DEG.	JIB POINT ELEV. FEET	LUFFING JIB CAPACITY POUNDS				
55	74.3	292.0	40,300*																			55			
60	72.5	290.5	38,700*																			60			
65	70.6	288.8	37,100*																			65			
70	68.7	286.9	35,600*																			70			
75	66.7	284.9	34,100*																			75			
80	64.8	282.6	32,600*	69.2	286.4	36,100*																80			
85	62.8	280.2	31,200*	67.2	284.4	34,700*																85			
90	60.7	277.5	29,800*	65.3	282.2	33,200*	67.9	283.9	34,900*													90			
95	58.7	274.6	28,500*	63.3	279.7	31,900*	65.9	281.8	33,600*													95			
100	56.5	271.4	27,200*	61.3	277.1	30,500*	64.0	279.5	32,300*													100			
105	54.4	268.0	26,000*	59.2	274.3	29,100*	62.0	276.9	30,900*													105			
110	52.1	264.2	24,800*	57.1	271.2	27,900*	59.9	274.1	29,600*													110			
115	49.8	260.2	23,700*	54.9	267.8	26,600*	57.8	271.1	28,300*	62.4	274.8	26,800										115			
120	47.4	255.8	22,600*	52.7	264.1	25,400*	55.7	267.8	27,100*	60.3	272.1	25,300										120			
125	45.0	251.0	21,500*	50.4	260.2	24,200*	53.5	264.3	25,900*	58.3	269.1	23,900										125			
130	42.4	245.7	20,500*	48.1	255.9	23,100*	51.2	260.4	24,700*	56.1	265.9	22,600										130			
135	39.6	240.0	19,600*	45.6	251.2	22,100*	48.9	256.2	23,600*	53.9	262.4	21,500										135			
140	36.7	233.6	18,700*	43.0	246.0	21,000*	46.5	251.7	22,500*	51.7	258.6	20,400	56.5	262.8	18,000							140			
145	33.6	226.5	17,800*	40.4	240.4	20,100*	43.9	246.7	21,500*	49.4	254.5	19,400	54.3	259.4	17,100							145			
150	30.2	218.5	17,000*	37.5	234.2	19,200*	41.3	241.3	20,500*	47.0	250.0	18,400	52.0	255.6	16,300							150			
155	26.5	209.3	16,300*	34.5	227.4	18,300*	38.5	235.3	19,600*	44.5	245.1	17,600	49.7	251.5	15,500							155			
160	22.1	198.2	15,600*	31.2	219.6	17,400*	35.5	228.7	18,700*	41.9	239.8	16,800	47.3	247.1	14,700	52.2	251.4	12,800				160			
165	16.7	184.0	15,000*	27.5	210.7	16,700*	32.3	221.3	17,800*	39.1	233.9	16,000	44.9	242.3	14,000	49.9	247.4	12,100				165			
170	8.6	161.7	14,500*	23.3	200.2	15,900*	28.8	212.8	17,000*	36.2	227.5	15,300	42.3	237.1	13,400	47.5	243.0	11,500				170			
175				18.3	187.0	15,300*	24.8	202.9	16,300*	33.0	220.2	14,600	39.5	231.3	12,800	45.1	238.2	11,000				175			
180				11.3	168.0	14,700*				20.1	190.8	15,600*	29.6	212.0	14,000	36.6	224.9	12,200	42.5	233.0	10,400	47.5	237.5	8,800	180
185										14.1	174.6	15,000*	25.7	202.4	13,300	33.5	217.8	11,600	39.7	227.2	10,000	45.0	232.8	8,300	185
190													21.2	190.9	12,800	30.1	209.7	11,100	36.9	220.9	9,500	42.5	227.5	7,900	190
195													15.5	175.8	12,200	26.3	200.4	10,600	33.8	213.9	9,000	39.7	221.8	7,500	195
200													5.8	149.2	11,600	21.9	189.2	10,100	30.4	205.9	8,600	36.8	215.5	7,100	200
205																16.5	174.9	9,700	26.6	196.7	8,200	33.7	208.4	6,800	205
210																8.1	151.9	9,200	22.3	185.7	7,800	30.4	200.4	6,400	210
215																			17.0	171.7	7,400	26.6	191.2	6,100	215
220																			9.0	150.0	7,000	22.3	180.2	5,700	220
225																						16.9	166.2	5,400	225
230																						9.0	144.4	5,100	230

S/N: 8885093

MANITOWOC ENGINEERING CO.

Division of the Manitowoc Company, Inc. Manitowoc, Wisconsin 54220



LIFTCRANE LUFFING JIB CAPACITIES

DESIGNED AND TESTED
WITH THE INTENT TO BE
THE SCOPE OF ANSI B30.5

888 SERIES 1

LUFFING JIB NO. 135 ON BOOM NO. 22EL
144,100 LB. COUNTERWEIGHT
28'2" CRAWLERS EXTENDED
360 DEGREE RATING

130 FT. BOOM, 170 FT. JIB

JIB OPER. RAD. FEET	88 DEGREE BOOM ANGLE			83 DEGREE BOOM ANGLE			80 DEGREE BOOM ANGLE			75 DEGREE BOOM ANGLE			70 DEGREE BOOM ANGLE			65 DEGREE BOOM ANGLE			60 DEGREE BOOM ANGLE			JIB OPER. RAD. FEET
	JIB ANG. DEG.	JIB POINT ELEV. FEET	LUFFING JIB CAPACITY POUNDS	JIB ANG. DEG.	JIB POINT ELEV. FEET	LUFFING JIB CAPACITY POUNDS	JIB ANG. DEG.	JIB POINT ELEV. FEET	LUFFING JIB CAPACITY POUNDS	JIB ANG. DEG.	JIB POINT ELEV. FEET	LUFFING JIB CAPACITY POUNDS	JIB ANG. DEG.	JIB POINT ELEV. FEET	LUFFING JIB CAPACITY POUNDS	JIB ANG. DEG.	JIB POINT ELEV. FEET	LUFFING JIB CAPACITY POUNDS	JIB ANG. DEG.	JIB POINT ELEV. FEET	LUFFING JIB CAPACITY POUNDS	
55	75.3	302.3	37,200*																			55
60	73.5	300.9	35,700*																			60
65	71.8	299.4	34,300*																			65
70	70.0	297.6	32,800*																			70
75	68.2	295.7	31,400*																			75
80	66.3	293.6	30,000*	70.4	297.0	33,200*																80
85	64.5	291.3	28,700*	68.6	295.1	31,900*																85
90	62.6	288.9	27,400*	66.8	293.1	30,500*																90
95	60.7	286.2	26,100*	65.0	290.9	29,200*	67.4	292.7	30,800*													95
100	58.7	283.2	24,900*	63.1	288.4	27,900*	65.6	290.5	29,500*													100
105	56.7	280.1	23,700*	61.2	285.8	26,700*	63.7	288.2	28,300*													105
110	54.7	276.7	22,600*	59.2	282.9	25,400*	61.8	285.6	27,100*													110
115	52.6	273.0	21,500*	57.3	279.8	24,200*	59.9	282.8	25,900*													115
120	50.5	269.0	20,400*	55.2	276.5	23,100*	58.0	279.8	24,700*	62.2	283.5	25,000										120
125	48.2	264.7	19,400*	53.2	272.9	22,000*	55.9	276.5	23,500*	60.3	280.8	23,600										125
130	45.9	260.1	18,400*	51.0	269.0	20,900*	53.9	273.0	22,400*	58.4	277.8	22,400										130
135	43.5	255.0	17,500*	48.8	264.8	19,900*	51.8	269.2	21,300*	56.4	274.6	21,200										135
140	41.0	249.5	16,600*	46.5	260.2	18,900*	49.6	265.1	20,300*	54.3	271.1	20,100										140
145	38.4	243.5	15,800*	44.2	255.3	17,900*	47.3	260.7	19,300*	52.2	267.4	19,100										145
150	35.6	236.9	15,000*	41.7	249.9	17,000*	45.0	255.9	18,300*	50.0	263.4	18,200	56.7	271.5	16,800							150
155	32.6	229.5	14,300*	39.1	244.0	16,200*	42.6	250.7	17,400*	47.8	259.0	17,300	54.6	268.1	16,000							155
160	29.3	221.2	13,500*	36.3	237.6	15,400*	40.0	245.0	16,600*	45.5	254.3	16,500	52.5	264.4	15,200							160
165	25.7	211.6	12,900*	33.4	230.4	14,600*	37.3	238.7	15,700*	43.1	249.2	15,700	50.4	260.4	14,500							165
170	21.5	200.1	12,000*	30.2	222.3	13,900*	34.4	231.8	14,900*	40.5	243.6	15,000	48.1	256.1	13,800	52.7	260.2	11,800				170
175	16.2	185.5	11,200*	26.7	213.1	13,200*	31.3	224.1	14,200*	37.9	237.4	14,400	45.8	251.4	13,100	50.5	256.2	11,300				175
180	8.3	162.5	10,500*	22.6	202.2	12,300*	27.9	215.3	13,500*	35.0	230.7	13,700	43.4	246.4	12,500	48.3	251.9	10,700				180
185				17.7	188.6	11,500*	24.1	205.1	12,600*	32.0	223.1	13,100	40.9	240.8	11,900	46.0	247.3	10,200				185
190				10.9	169.0	10,700*	19.5	192.6	11,800*	28.7	214.6	12,600	38.3	234.8	11,400	43.6	242.3	9,700				190
195							13.6	175.8	11,000*	24.9	204.7	12,000	35.5	228.1	10,900	41.1	236.8	9,200	46.0	241.9	7,600	195
200										20.6	192.7	11,500	32.5	220.7	10,400	38.5	230.8	8,800	43.6	236.8	7,200	200
205										15.0	177.2	11,000	29.2	212.3	9,900	35.7	224.2	8,400	41.1	231.3	6,800	205
210										5.6	149.7	10,500	25.5	202.7	9,500	32.7	216.8	7,900	38.5	225.3	6,500	210
215													21.3	191.1	9,000	29.5	208.5	7,600	35.7	218.7	6,100	215
220													16.0	176.3	8,600	25.8	199.0	7,200	32.7	211.4	5,800	220
225													7.8	152.6	8,200	21.6	187.6	6,800	29.4	203.1	5,500	225
230																16.5	173.1	6,500	25.8	193.5	5,200	230
235																8.8	150.8	6,100	21.6	182.1	4,900	235
240																			8.7	145.2	4,300	240

S/N: 8885093

MANITOWOC ENGINEERING CO.

Division of the Manitowoc Company, Inc. Manitowoc, Wisconsin 54220



LIFTCRANE LUFFING JIB CAPACITIES

DESIGNED AND TESTED
WITH THE INTENT TO BE
THE SCOPE OF ANSI B30.5

888 SERIES 1

**LUFFING JIB NO. 135 ON BOOM NO. 22EL
144,100 LB. COUNTERWEIGHT
28'2" CRAWLERS EXTENDED
360 DEGREE RATING**

140 FT. BOOM, 70 FT. JIB

JIB OPER. RAD. FEET	88 DEGREE BOOM ANGLE			83 DEGREE BOOM ANGLE			80 DEGREE BOOM ANGLE			75 DEGREE BOOM ANGLE			70 DEGREE BOOM ANGLE			65 DEGREE BOOM ANGLE			60 DEGREE BOOM ANGLE			JIB OPER. RAD. FEET
	JIB ANG. DEG.	JIB POINT ELEV. FEET	LUFFING JIB CAPACITY POUNDS	JIB ANG. DEG.	JIB POINT ELEV. FEET	LUFFING JIB CAPACITY POUNDS	JIB ANG. DEG.	JIB POINT ELEV. FEET	LUFFING JIB CAPACITY POUNDS	JIB ANG. DEG.	JIB POINT ELEV. FEET	LUFFING JIB CAPACITY POUNDS	JIB ANG. DEG.	JIB POINT ELEV. FEET	LUFFING JIB CAPACITY POUNDS	JIB ANG. DEG.	JIB POINT ELEV. FEET	LUFFING JIB CAPACITY POUNDS	JIB ANG. DEG.	JIB POINT ELEV. FEET	LUFFING JIB CAPACITY POUNDS	
45	62.0	209.7	98,000* ^b																			45
50	57.3	206.8	93,900* ^b																			50
55	52.2	203.2	90,300* ^b																			55
60	46.9	199.0	81,400	59.3	207.0	75,200 ^b																60
65	41.0	193.8	73,500	54.4	203.7	67,900 ^b	61.4	207.0	64,500 ^b													65
70	34.2	187.3	67,000	49.2	199.8	61,800	56.7	204.0	58,700 ^b													70
75	26.1	178.7	61,400	43.6	195.0	56,700	51.6	200.4	53,800 ^b													75
80	14.2	165.1	51,800*	37.3	189.1	52,300	46.2	196.1	49,600	58.5	202.4	45,300 ^b										80
85				29.9	181.6	48,400	40.2	190.7	46,000	53.5	199.0	41,900 ^b										85
90				20.2	170.9	45,000	33.3	184.0	42,800	48.3	195.0	39,000										90
95							24.9	175.1	39,900	42.5	190.0	36,400	55.1	196.3	32,900 ^b							95
100							12.0	160.1	37,300	36.1	183.9	34,100	50.0	192.5	30,800							100
105										28.4	176.0	32,000	44.4	187.8	28,900							105
110										18.0	164.3	30,000	38.2	182.2	27,200	51.3	188.6	24,300 ^b				110
115													31.0	174.9	25,600	45.8	184.2	22,900				115
120													21.8	164.8	24,100	39.8	178.8	21,600				120
125																32.9	172.0	20,400	46.7	179.1	18,000	125
130																24.3	162.8	19,300	40.7	173.9	17,000	130
135																10.6	146.9	18,200	34.0	167.3	16,100	135
140																			25.7	158.6	15,300	140
145																			13.6	144.6	14,400	145

S/N: 8885093

MANITOWOC ENGINEERING CO.

Division of the Manitowoc Company, Inc. Manitowoc, Wisconsin 54220



LIFTCRANE LUFFING JIB CAPACITIES

DESIGNED AND TESTED
WITH THE INTENT TO BE
THE SCOPE OF ANSI B30.5

888 SERIES 1

**LUFFING JIB NO. 135 ON BOOM NO. 22EL
144,100 LB. COUNTERWEIGHT
28'2" CRAWLERS EXTENDED
360 DEGREE RATING**

140 FT. BOOM, 80 FT. JIB

JIB OPER. RAD. FEET	88 DEGREE BOOM ANGLE			83 DEGREE BOOM ANGLE			80 DEGREE BOOM ANGLE			75 DEGREE BOOM ANGLE			70 DEGREE BOOM ANGLE			65 DEGREE BOOM ANGLE			60 DEGREE BOOM ANGLE			JIB OPER. RAD. FEET
	JIB ANG. DEG.	JIB POINT ELEV. FEET	LUFFING JIB CAPACI TY POUNDS	JIB ANG. DEG.	JIB POINT ELEV. FEET	LUFFING JIB CAPACI TY POUNDS	JIB ANG. DEG.	JIB POINT ELEV. FEET	LUFFING JIB CAPACI TY POUNDS	JIB ANG. DEG.	JIB POINT ELEV. FEET	LUFFING JIB CAPACI TY POUNDS	JIB ANG. DEG.	JIB POINT ELEV. FEET	LUFFING JIB CAPACI TY POUNDS	JIB ANG. DEG.	JIB POINT ELEV. FEET	LUFFING JIB CAPACI TY POUNDS	JIB ANG. DEG.	JIB POINT ELEV. FEET	LUFFING JIB CAPACI TY POUNDS	
45	65.7	220.8	87,700* ^b																			45
50	61.8	218.4	84,000* ^b																			50
55	57.6	215.5	80,600* ^b	67.4	220.6	83,700 ^b																55
60	53.3	212.0	77,300* ^b	63.5	218.3	74,800 ^b																60
65	48.6	207.9	73,400	59.4	215.6	67,600 ^b	65.3	218.2	64,100 ^b													65
70	43.7	203.1	66,800	55.2	212.4	61,500	61.3	215.7	58,400 ^b													70
75	38.2	197.4	61,300	50.7	208.6	56,400	57.1	212.7	53,500 ^b													75
80	32.0	190.3	56,500	45.9	204.2	52,000	52.7	209.2	49,300	62.8	213.9	44,900 ^b										80
85	24.4	180.9	52,300	40.6	198.9	48,200	48.1	205.1	45,700	58.7	211.1	41,500 ^b										85
90	13.3	166.3	45,000*	34.8	192.4	44,800	43.0	200.1	42,500	54.4	207.7	38,600										90
95				27.9	184.2	41,800	37.5	194.2	39,700	49.8	203.9	36,000										95
100				18.9	172.6	39,100	31.1	186.9	37,100	45.0	199.3	33,700	55.8	205.0	30,400							100
105							23.3	177.2	34,800	39.7	193.8	31,700	51.3	201.3	28,500							105
110							11.2	161.1	32,700	33.7	187.1	29,800	46.6	196.9	26,800							110
115										26.5	178.4	28,100	41.4	191.8	25,300	52.4	197.4	22,500				115
120										16.8	165.8	26,500	35.7	185.5	23,800	47.7	193.2	21,200				120
125													29.0	177.6	22,500	42.7	188.3	20,000				125
130													20.4	166.7	21,300	37.1	182.3	18,900				130
135																30.7	174.8	17,900	43.5	183.2	15,700	135
140																22.7	164.9	17,000	38.0	177.4	14,900	140
145																10.0	147.8	16,100	31.7	170.2	14,100	145
150																			24.1	160.8	13,400	150
155																			12.7	145.7	12,600	155

S/N: 8885093

MANITOWOC ENGINEERING CO.

Division of the Manitowoc Company, Inc. Manitowoc, Wisconsin 54220



LIFTCRANE LUFFING JIB CAPACITIES

DESIGNED AND TESTED
WITH THE INTENT TO BE
THE SCOPE OF ANSI B30.5

888 SERIES 1

LUFFING JIB NO. 135 ON BOOM NO. 22EL
144,100 LB. COUNTERWEIGHT
28'2" CRAWLERS EXTENDED
360 DEGREE RATING

140 FT. BOOM, 90 FT. JIB

JIB OPER. RAD. FEET	88 DEGREE BOOM ANGLE			83 DEGREE BOOM ANGLE			80 DEGREE BOOM ANGLE			75 DEGREE BOOM ANGLE			70 DEGREE BOOM ANGLE			65 DEGREE BOOM ANGLE			60 DEGREE BOOM ANGLE			JIB OPER. RAD. FEET	
	JIB ANG. DEG.	JIB POINT ELEV. FEET	LUFFING JIB CAPACITY POUNDS	JIB ANG. DEG.	JIB POINT ELEV. FEET	LUFFING JIB CAPACITY POUNDS	JIB ANG. DEG.	JIB POINT ELEV. FEET	LUFFING JIB CAPACITY POUNDS	JIB ANG. DEG.	JIB POINT ELEV. FEET	LUFFING JIB CAPACITY POUNDS	JIB ANG. DEG.	JIB POINT ELEV. FEET	LUFFING JIB CAPACITY POUNDS	JIB ANG. DEG.	JIB POINT ELEV. FEET	LUFFING JIB CAPACITY POUNDS	JIB ANG. DEG.	JIB POINT ELEV. FEET	LUFFING JIB CAPACITY POUNDS		
45	68.6	231.7	79,400*b																			45	
50	65.1	229.6	76,100*b																			50	
55	61.6	227.0	73,100*	70.1	231.4	82,000*b																55	
60	57.9	224.1	70,200*	66.6	229.4	74,600b																60	
65	54.0	220.7	67,500*	63.1	227.0	67,400b																65	
70	50.0	216.8	65,100*	59.5	224.3	61,300	64.7	226.9	58,100b													70	
75	45.7	212.3	61,200	55.7	221.1	56,200	61.1	224.4	53,300													75	
80	41.1	207.0	56,400	51.8	217.4	51,800	57.4	221.4	49,100													80	
85	35.9	200.7	52,300	47.6	213.2	48,000	53.5	217.9	45,500	62.5	222.5	41,300b										85	
90	30.1	193.0	48,600	43.1	208.3	44,700	49.5	214.0	42,300	58.8	219.7	38,400										90	
95	23.0	183.0	45,400	38.2	202.4	41,700	45.1	209.4	39,500	55.0	216.5	35,800										95	
100	12.5	167.4	40,000*	32.7	195.4	39,100	40.5	204.0	37,000	51.0	212.7	33,500										100	
105				26.3	186.6	36,700	35.3	197.5	34,700	46.8	208.3	31,500	56.2	213.7	28,200								105
110				17.8	174.2	34,500	29.3	189.6	32,700	42.3	203.3	29,600	52.3	210.1	26,500								110
115							22.0	179.2	30,800	37.3	197.3	27,900	48.2	205.9	25,000								115
120							10.6	162.1	29,100	31.7	190.0	26,400	43.8	201.1	23,600								120
125										25.0	180.7	25,000	38.9	195.4	22,400	49.2	202.1	19,800					125
130										15.8	167.2	23,600	33.6	188.6	21,200	44.9	197.5	18,700					130
135													27.3	180.1	20,100	40.1	192.0	17,700					135
140													19.2	168.4	19,000	34.9	185.5	16,800	45.5	192.4	14,600		140
145																28.9	177.5	16,000	40.9	187.1	13,900		145
150																21.4	166.8	15,200	35.7	180.8	13,200		150
155																9.4	148.7	14,400	29.9	173.0	12,500		155
160																			22.7	162.9	11,900		160
165																			11.9	146.8	11,200		165

S/N: 8885093

MANITOWOC ENGINEERING CO.

Division of the Manitowoc Company, Inc. Manitowoc, Wisconsin 54220



LIFTCRANE LUFFING JIB CAPACITIES

DESIGNED AND TESTED
WITH THE INTENT TO BE
THE SCOPE OF ANSI B30.5

888 SERIES 1

**LUFFING JIB NO. 135 ON BOOM NO. 22EL
144,100 LB. COUNTERWEIGHT
28'2" CRAWLERS EXTENDED
360 DEGREE RATING**

140 FT. BOOM, 100 FT. JIB

JIB OPER. RAD. FEET	88 DEGREE BOOM ANGLE			83 DEGREE BOOM ANGLE			80 DEGREE BOOM ANGLE			75 DEGREE BOOM ANGLE			70 DEGREE BOOM ANGLE			65 DEGREE BOOM ANGLE			60 DEGREE BOOM ANGLE			JIB OPER. RAD. FEET
	JIB ANG. DEG.	JIB POINT ELEV. FEET	LUFFING JIB CAPACITY POUNDS	JIB ANG. DEG.	JIB POINT ELEV. FEET	LUFFING JIB CAPACITY POUNDS	JIB ANG. DEG.	JIB POINT ELEV. FEET	LUFFING JIB CAPACITY POUNDS	JIB ANG. DEG.	JIB POINT ELEV. FEET	LUFFING JIB CAPACITY POUNDS	JIB ANG. DEG.	JIB POINT ELEV. FEET	LUFFING JIB CAPACITY POUNDS	JIB ANG. DEG.	JIB POINT ELEV. FEET	LUFFING JIB CAPACITY POUNDS	JIB ANG. DEG.	JIB POINT ELEV. FEET	LUFFING JIB CAPACITY POUNDS	
45	70.8	242.4	74,200*b																			45
50	67.7	240.5	71,000*b																			50
55	64.6	238.3	68,000*																			55
60	61.4	235.7	65,200*	69.1	240.2	73,200*b																60
65	58.1	232.8	62,600*	66.0	238.1	67,100b																65
70	54.6	229.5	60,100*	62.8	235.7	61,000	67.4	237.9	57,800b													70
75	51.0	225.7	57,800*	59.5	232.9	55,900	64.2	235.6	52,900													75
80	47.3	221.4	55,700*	56.1	229.8	51,500	61.0	233.0	48,700													80
85	43.2	216.4	52,100	52.6	226.2	47,700	57.7	230.1	45,100													85
90	38.9	210.7	48,400	48.9	222.1	44,400	54.2	226.7	42,000	62.2	231.2	38,000										90
95	34.0	203.9	45,200	45.0	217.5	41,500	50.6	222.8	39,200	58.9	228.4	35,400										95
100	28.5	195.7	42,400	40.8	212.1	38,800	46.8	218.4	36,700	55.5	225.2	33,100										100
105	21.8	185.0	39,800	36.2	205.8	36,500	42.7	213.4	34,500	52.0	221.5	31,100										105
110	11.9	168.5	35,600*	31.0	198.3	34,300	38.3	207.5	32,400	48.2	217.3	29,300	56.6	222.4	26,100							110
115				24.9	188.9	32,400	33.4	200.6	30,600	44.3	212.5	27,600	53.1	218.9	24,600							115
120				16.9	175.7	30,600	27.8	192.2	28,900	40.0	207.0	26,100	49.5	214.8	23,200							120
125							20.8	181.1	27,400	35.3	200.5	24,700	45.6	210.3	22,000							125
130							10.0	163.0	25,900	30.0	192.7	23,400	41.4	205.0	20,800	50.4	211.0	18,300				130
135										23.7	182.9	22,200	36.9	198.9	19,700	46.5	206.6	17,300				135
140										15.0	168.6	21,000	31.8	191.5	18,700	42.4	201.5	16,400				140
145													25.8	182.4	17,800	38.0	195.6	15,600	47.1	201.5	13,500	145
150													18.2	170.1	16,900	33.1	188.6	14,800	43.1	196.5	12,800	150
155																27.4	180.0	14,100	38.7	190.7	12,100	155
160																20.3	168.7	13,400	33.8	183.9	11,500	160
165																8.9	149.5	12,700	28.3	175.6	10,900	165
170																			21.5	164.8	10,400	170
175																			11.3	147.8	9,800	175

S/N: 8885093

MANITOWOC ENGINEERING CO.

Division of the Manitowoc Company, Inc. Manitowoc, Wisconsin 54220



LIFTCRANE LUFFING JIB CAPACITIES

DESIGNED AND TESTED
WITH THE INTENT TO BE
THE SCOPE OF ANSI B30.5

888 SERIES 1

LUFFING JIB NO. 135 ON BOOM NO. 22EL
144,100 LB. COUNTERWEIGHT
28'2" CRAWLERS EXTENDED
360 DEGREE RATING

140 FT. BOOM, 110 FT. JIB

JIB OPER. RAD. FEET	88 DEGREE BOOM ANGLE			83 DEGREE BOOM ANGLE			80 DEGREE BOOM ANGLE			75 DEGREE BOOM ANGLE			70 DEGREE BOOM ANGLE			65 DEGREE BOOM ANGLE			60 DEGREE BOOM ANGLE			JIB OPER. RAD. FEET
	JIB ANG. DEG.	JIB POINT ELEV. FEET	LUFFING JIB CAPACITY POUNDS	JIB ANG. DEG.	JIB POINT ELEV. FEET	LUFFING JIB CAPACITY POUNDS	JIB ANG. DEG.	JIB POINT ELEV. FEET	LUFFING JIB CAPACITY POUNDS	JIB ANG. DEG.	JIB POINT ELEV. FEET	LUFFING JIB CAPACITY POUNDS	JIB ANG. DEG.	JIB POINT ELEV. FEET	LUFFING JIB CAPACITY POUNDS	JIB ANG. DEG.	JIB POINT ELEV. FEET	LUFFING JIB CAPACITY POUNDS	JIB ANG. DEG.	JIB POINT ELEV. FEET	LUFFING JIB CAPACITY POUNDS	
45	72.6	252.9	69,300*																			45
50	69.9	251.2	66,800*																			50
55	67.1	249.2	64,500*																			55
60	64.2	246.9	62,200*																			60
65	61.3	244.4	60,000*	68.3	248.9	66,300*																65
70	58.3	241.5	57,800*	65.4	246.8	60,900																70
75	55.1	238.2	55,700*	62.6	244.4	55,800	66.7	246.6	52,800													75
80	51.9	234.5	53,600*	59.6	241.6	51,500	63.9	244.3	48,700													80
85	48.5	230.3	51,700*	56.5	238.5	47,700	60.9	241.7	45,100													85
90	44.9	225.6	48,400	53.3	235.0	44,400	57.9	238.7	41,900													90
95	41.1	220.2	45,300	50.0	231.0	41,400	54.8	235.4	39,100	62.0	239.9	35,300										95
100	37.0	214.1	42,400	46.5	226.6	38,800	51.5	231.6	36,700	59.0	237.0	33,100										100
105	32.4	206.9	39,900	42.8	221.5	36,500	48.1	227.4	34,400	55.9	233.9	31,100										105
110	27.2	198.1	37,600	38.8	215.7	34,400	44.5	222.6	32,400	52.7	230.3	29,200										110
115	20.7	186.9	35,500	34.5	209.0	32,400	40.6	217.2	30,600	49.4	226.2	27,600	56.9	231.1	24,600							115
120	11.3	169.5	32,700*	29.5	201.0	30,700	36.5	210.9	28,900	45.9	221.7	26,100	53.8	227.6	23,200							120
125				23.7	191.0	29,100	31.8	203.5	27,400	42.1	216.5	24,700	50.5	223.7	21,900							125
130				16.1	177.2	27,600	26.5	194.6	26,000	38.1	210.6	23,400	47.0	219.3	20,800							130
135							19.8	182.9	24,700	33.6	203.6	22,200	43.3	214.4	19,700	51.3	219.8	17,300				135
140							9.6	163.8	23,500	28.6	195.3	21,100	39.4	208.7	18,700	47.9	215.6	16,400				140
145										22.5	184.9	20,100	35.1	202.1	17,800	44.2	210.8	15,600				145
150										14.3	169.9	19,100	30.3	194.3	17,000	40.4	205.3	14,800				150
155													24.6	184.7	16,200	36.2	198.9	14,100	44.8	205.7	12,100	155
160													17.3	171.6	15,400	31.5	191.5	13,400	41.0	200.3	11,500	160
165																26.1	182.4	12,800	36.8	194.1	10,900	165
170																19.3	170.4	12,200	32.2	186.9	10,400	170
175																8.5	150.2	11,500	27.0	178.0	9,900	175
180																			20.5	166.7	9,400	180
185																			10.8	148.8	8,900	185

S/N: 8885093

MANITOWOC ENGINEERING CO.

Division of the Manitowoc Company, Inc. Manitowoc, Wisconsin 54220



LIFTCRANE LUFFING JIB CAPACITIES

DESIGNED AND TESTED
WITH THE INTENT TO BE
THE SCOPE OF ANSI B30.5

888 SERIES 1

LUFFING JIB NO. 135 ON BOOM NO. 22EL
144,100 LB. COUNTERWEIGHT
28'2" CRAWLERS EXTENDED
360 DEGREE RATING

140 FT. BOOM, 120 FT. JIB

JIB OPER. RAD. FEET	88 DEGREE BOOM ANGLE			83 DEGREE BOOM ANGLE			80 DEGREE BOOM ANGLE			75 DEGREE BOOM ANGLE			70 DEGREE BOOM ANGLE			65 DEGREE BOOM ANGLE			60 DEGREE BOOM ANGLE			JIB OPER. RAD. FEET
	JIB ANG. DEG.	JIB POINT ELEV. FEET	LUFFING JIB CAPACITY POUNDS	JIB ANG. DEG.	JIB POINT ELEV. FEET	LUFFING JIB CAPACITY POUNDS	JIB ANG. DEG.	JIB POINT ELEV. FEET	LUFFING JIB CAPACITY POUNDS	JIB ANG. DEG.	JIB POINT ELEV. FEET	LUFFING JIB CAPACITY POUNDS	JIB ANG. DEG.	JIB POINT ELEV. FEET	LUFFING JIB CAPACITY POUNDS	JIB ANG. DEG.	JIB POINT ELEV. FEET	LUFFING JIB CAPACITY POUNDS	JIB ANG. DEG.	JIB POINT ELEV. FEET	LUFFING JIB CAPACITY POUNDS	
45	74.1	263.3	56,400* ^b																			45
50	71.6	261.8	55,300* ^b																			50
55	69.1	260.0	54,300* ^b																			55
60	66.5	257.9	53,200*																			60
65	63.9	255.6	51,200*	70.2	259.6	55,600*																65
70	61.2	253.0	49,300*	67.6	257.7	54,500*																70
75	58.4	250.1	47,400*	65.0	255.5	52,600*																75
80	55.6	246.9	45,600*	62.3	253.0	50,800*	66.2	255.3	48,300													80
85	52.6	243.3	43,900*	59.6	250.3	47,400	63.5	253.0	44,700													85
90	49.5	239.2	42,300*	56.8	247.2	44,100	60.8	250.3	41,600													90
95	46.3	234.7	40,800*	53.9	243.7	41,100	58.1	247.4	38,800													95
100	42.9	229.6	39,300*	50.9	239.9	38,500	55.2	244.1	36,300	61.9	248.5	32,700										100
105	39.3	223.9	38,000*	47.7	235.6	36,200	52.2	240.4	34,100	59.1	245.7	30,700										105
110	35.4	217.3	36,800*	44.4	230.7	34,100	49.2	236.3	32,100	56.3	242.5	28,800										110
115	31.0	209.7	35,300	40.9	225.3	32,200	45.9	231.8	30,300	53.4	239.0	27,200										115
120	26.0	200.5	33,400	37.1	219.1	30,400	42.5	226.6	28,600	50.3	235.1	25,700	57.2	239.7	22,800							120
125	19.9	188.7	31,600	32.9	212.0	28,800	38.8	220.8	27,100	47.2	230.7	24,300	54.3	236.3	21,500							125
130	10.8	170.4	28,900*	28.3	203.6	27,400	34.9	214.1	25,700	43.8	225.8	23,100	51.3	232.5	20,400							130
135				22.7	193.1	26,000	30.4	206.3	24,500	40.2	220.2	21,900	48.2	228.3	19,400							135
140				15.4	178.6	24,700	25.3	196.9	23,300	36.4	213.9	20,800	44.9	223.6	18,400	52.1	228.6	16,000				140
145							19.0	184.6	22,100	32.2	206.6	19,800	41.4	218.2	17,500	49.0	224.5	15,200				145
150							9.1	164.6	21,100	27.3	197.8	18,900	37.7	212.2	16,600	45.7	219.9	14,400				150
155										21.6	186.8	18,000	33.6	205.2	15,800	42.3	214.7	13,700				155
160										13.7	171.1	17,100	29.0	196.9	15,100	38.6	208.9	13,100	46.2	214.8	11,100	160
165													23.6	186.8	14,400	34.6	202.1	12,400	42.8	209.7	10,500	165
170													16.6	173.1	13,700	30.1	194.2	11,800	39.2	204.0	10,000	170
175																25.0	184.6	11,300	35.2	197.4	9,500	175
180																18.5	172.1	10,700	30.8	189.7	9,000	180
185																8.1	151.0	10,200	25.8	180.4	8,600	185
190																			19.6	168.4	8,100	190
195																			10.3	149.7	7,700	195

S/N: 8885093

MANITOWOC ENGINEERING CO.

Division of the Manitowoc Company, Inc. Manitowoc, Wisconsin 54220



LIFTCRANE LUFFING JIB CAPACITIES

DESIGNED AND TESTED
WITH THE INTENT TO BE
THE SCOPE OF ANSI B30.5

888 SERIES 1

LUFFING JIB NO. 135 ON BOOM NO. 22EL
144,100 LB. COUNTERWEIGHT
28'2" CRAWLERS EXTENDED
360 DEGREE RATING

140 FT. BOOM, 130 FT. JIB

JIB OPER. RAD. FEET	88 DEGREE BOOM ANGLE			83 DEGREE BOOM ANGLE			80 DEGREE BOOM ANGLE			75 DEGREE BOOM ANGLE			70 DEGREE BOOM ANGLE			65 DEGREE BOOM ANGLE			60 DEGREE BOOM ANGLE			JIB OPER. RAD. FEET
	JIB ANG. DEG.	JIB POINT ELEV. FEET	LUFFING JIB CAPACITY POUNDS	JIB ANG. DEG.	JIB POINT ELEV. FEET	LUFFING JIB CAPACITY POUNDS	JIB ANG. DEG.	JIB POINT ELEV. FEET	LUFFING JIB CAPACITY POUNDS	JIB ANG. DEG.	JIB POINT ELEV. FEET	LUFFING JIB CAPACITY POUNDS	JIB ANG. DEG.	JIB POINT ELEV. FEET	LUFFING JIB CAPACITY POUNDS	JIB ANG. DEG.	JIB POINT ELEV. FEET	LUFFING JIB CAPACITY POUNDS	JIB ANG. DEG.	JIB POINT ELEV. FEET	LUFFING JIB CAPACITY POUNDS	
45	75.4	273.7	52,800*																			45
50	73.1	272.3	51,800*																			50
55	70.7	270.6	50,900*																			55
60	68.4	268.8	49,200*																			60
65	66.0	266.7	47,400*																			65
70	63.6	264.3	45,600*	69.4	268.5	50,300*																70
75	61.1	261.7	43,900*	67.0	266.5	48,600*																75
80	58.5	258.8	42,300*	64.6	264.2	46,900*																80
85	55.9	255.6	40,700*	62.2	261.7	45,200*	65.7	264.0	44,500													85
90	53.2	252.0	39,200*	59.6	258.9	43,600*	63.3	261.7	41,300													90
95	50.4	248.1	37,800*	57.1	255.8	40,900	60.8	259.0	38,500													95
100	47.5	243.7	36,400*	54.4	252.4	38,300	58.2	256.1	36,100													100
105	44.4	238.9	35,100*	51.6	248.7	36,000	55.6	252.8	33,900	61.7	257.2	30,400										105
110	41.2	233.5	33,800*	48.8	244.5	33,900	52.9	249.2	31,900	59.2	254.4	28,600										110
115	37.7	227.4	32,700*	45.8	239.9	32,000	50.1	245.2	30,100	56.6	251.2	26,900										115
120	33.9	220.5	31,600*	42.6	234.7	30,200	47.1	240.8	28,400	53.9	247.8	25,400										120
125	29.8	212.4	30,600*	39.2	229.0	28,600	44.0	235.9	26,900	51.1	243.9	24,100	57.4	248.4	21,300							125
130	25.0	202.7	29,700*	35.6	222.4	27,200	40.8	230.4	25,500	48.2	239.7	22,800	54.8	245.0	20,100							130
135	19.1	190.4	28,400	31.6	214.9	25,800	37.3	224.2	24,300	45.2	235.0	21,600	52.0	241.3	19,100							135
140	10.4	171.4	26,200*	27.1	206.0	24,600	33.4	217.2	23,100	42.0	229.7	20,600	49.2	237.2	18,100							140
145				21.8	195.0	23,400	29.2	209.0	22,000	38.6	223.8	19,600	46.2	232.7	17,200	52.7	237.4	14,900				145
150				14.8	179.9	22,300	24.3	199.1	20,900	34.9	217.1	18,600	43.0	227.6	16,400	49.9	233.4	14,200				150
155							18.2	186.2	20,000	30.9	209.4	17,800	39.7	221.9	15,600	46.9	229.0	13,400				155
160							8.8	165.4	19,000	26.3	200.2	17,000	36.1	215.5	14,900	43.8	224.0	12,800				160
165										20.7	188.7	16,200	32.2	208.1	14,200	40.5	218.5	12,200	47.4	223.8	10,200	165
170										13.1	172.3	15,400	27.8	199.5	13,500	37.0	212.3	11,600	44.3	219.0	9,700	170
175													22.6	188.8	12,900	33.2	205.2	11,000	41.0	213.5	9,200	175
180													15.9	174.6	12,300	28.9	196.9	10,500	37.6	207.4	8,800	180
185																24.0	186.8	10,000	33.8	200.5	8,300	185
190																17.8	173.7	9,500	29.6	192.4	7,900	190
195																7.8	151.7	9,000	24.8	182.6	7,500	195
200																			18.8	170.1	7,100	200
205																			9.9	150.6	6,700	205

S/N: 8885093

MANITOWOC ENGINEERING CO.

Division of the Manitowoc Company, Inc. Manitowoc, Wisconsin 54220



LIFTCRANE LUFFING JIB CAPACITIES

DESIGNED AND TESTED
WITH THE INTENT TO BE
THE SCOPE OF ANSI B30.5

888 SERIES 1

LUFFING JIB NO. 135 ON BOOM NO. 22EL
144,100 LB. COUNTERWEIGHT
28'2" CRAWLERS EXTENDED
360 DEGREE RATING

140 FT. BOOM, 140 FT. JIB

JIB OPER. RAD. FEET	88 DEGREE BOOM ANGLE			83 DEGREE BOOM ANGLE			80 DEGREE BOOM ANGLE			75 DEGREE BOOM ANGLE			70 DEGREE BOOM ANGLE			65 DEGREE BOOM ANGLE			60 DEGREE BOOM ANGLE			JIB OPER. RAD. FEET
	JIB ANG. DEG.	JIB POINT ELEV. FEET	LUFFING JIB CAPACITY POUNDS	JIB ANG. DEG.	JIB POINT ELEV. FEET	LUFFING JIB CAPACITY POUNDS	JIB ANG. DEG.	JIB POINT ELEV. FEET	LUFFING JIB CAPACITY POUNDS	JIB ANG. DEG.	JIB POINT ELEV. FEET	LUFFING JIB CAPACITY POUNDS	JIB ANG. DEG.	JIB POINT ELEV. FEET	LUFFING JIB CAPACITY POUNDS	JIB ANG. DEG.	JIB POINT ELEV. FEET	LUFFING JIB CAPACITY POUNDS	JIB ANG. DEG.	JIB POINT ELEV. FEET	LUFFING JIB CAPACITY POUNDS	
50	74.3	282.7	48,300*																			50
55	72.2	281.2	47,100*																			55
60	70.0	279.5	45,300*																			60
65	67.8	277.5	43,600*																			65
70	65.6	275.4	42,000*	70.9	279.1	46,200*																70
75	63.3	273.0	40,300*	68.8	277.2	44,600*																75
80	61.0	270.4	38,800*	66.6	275.2	43,000*																80
85	58.6	267.4	37,200*	64.3	272.9	41,500*	67.5	274.9	43,500*													85
90	56.2	264.3	35,800*	62.0	270.4	39,900*	65.3	272.8	41,000													90
95	53.7	260.7	34,400*	59.7	267.6	38,400*	63.0	270.3	38,200													95
100	51.1	256.9	33,000*	57.3	264.5	36,900*	60.7	267.7	35,700													100
105	48.4	252.7	31,700*	54.8	261.1	35,500*	58.3	264.7	33,500													105
110	45.7	248.0	30,500*	52.3	257.5	33,600	55.9	261.5	31,500	61.6	265.9	28,200										110
115	42.7	242.9	29,300*	49.6	253.4	31,700	53.4	257.9	29,700	59.2	263.0	26,600										115
120	39.6	237.2	28,200*	46.9	248.9	29,900	50.8	254.1	28,100	56.8	259.9	25,100										120
125	36.3	230.7	27,200*	44.0	244.0	28,400	48.1	249.8	26,600	54.4	256.5	23,700										125
130	32.7	223.5	26,200*	41.0	238.5	26,900	45.3	245.1	25,200	51.8	252.7	22,400	57.6	257.1	19,700							130
135	28.6	215.0	25,200*	37.7	232.5	25,600	42.3	239.9	24,000	49.1	248.6	21,300	55.1	253.7	18,700							135
140	24.0	204.9	24,400*	34.3	225.6	24,300	39.2	234.1	22,800	46.4	244.1	20,200	52.6	250.1	17,700							140
145	18.4	192.0	23,700*	30.4	217.7	23,200	35.9	227.6	21,700	43.5	239.0	19,200	50.0	246.1	16,800							145
150	10.0	172.3	23,100*	26.1	208.4	22,100	32.2	220.1	20,700	40.4	233.5	18,300	47.3	241.7	16,000							150
155				21.0	196.9	21,100	28.1	211.5	19,700	37.1	227.3	17,500	44.4	236.8	15,200	50.6	242.2	13,000				155
160				14.2	181.2	20,100	23.4	201.2	18,800	33.6	220.2	16,600	41.4	231.5	14,500	47.9	237.9	12,400				160
165							17.6	187.8	18,000	29.7	212.1	15,900	38.2	225.5	13,800	45.1	233.2	11,800				165
170							8.5	166.2	17,100	25.3	202.5	15,200	34.8	218.7	13,200	42.2	228.0	11,200				170
175										20.0	190.5	14,500	31.0	211.0	12,600	39.0	222.1	10,700	45.5	228.1	8,800	175
180										12.7	173.4	13,800	26.8	201.9	12,000	35.6	215.6	10,200	42.6	223.0	8,400	180
185													21.8	190.8	11,400	31.9	208.1	9,700	39.5	217.2	7,900	185
190													15.4	175.9	10,900	27.8	199.4	9,200	36.1	210.8	7,500	190
195																23.1	188.9	8,800	32.5	203.4	7,100	195
200																17.1	175.2	8,300	28.5	195.0	6,800	200
205																7.5	152.3	7,900	23.8	184.8	6,400	205
210																			18.1	171.7	6,100	210
215																			9.6	151.5	5,700	215

S/N: 8885093

MANITOWOC ENGINEERING CO.

Division of the Manitowoc Company, Inc. Manitowoc, Wisconsin 54220



LIFTCRANE LUFFING JIB CAPACITIES

DESIGNED AND TESTED
WITH THE INTENT TO BE
THE SCOPE OF ANSI B30.5

888 SERIES 1

LUFFING JIB NO. 135 ON BOOM NO. 22EL
144,100 LB. COUNTERWEIGHT
28'2" CRAWLERS EXTENDED
360 DEGREE RATING

140 FT. BOOM, 150 FT. JIB

JIB OPER. RAD. FEET	88 DEGREE BOOM ANGLE			83 DEGREE BOOM ANGLE			80 DEGREE BOOM ANGLE			75 DEGREE BOOM ANGLE			70 DEGREE BOOM ANGLE			65 DEGREE BOOM ANGLE			60 DEGREE BOOM ANGLE			JIB OPER. RAD. FEET
	JIB ANG. DEG.	JIB POINT ELEV. FEET	LUFFING JIB CAPACITY POUNDS	JIB ANG. DEG.	JIB POINT ELEV. FEET	LUFFING JIB CAPACITY POUNDS	JIB ANG. DEG.	JIB POINT ELEV. FEET	LUFFING JIB CAPACITY POUNDS	JIB ANG. DEG.	JIB POINT ELEV. FEET	LUFFING JIB CAPACITY POUNDS	JIB ANG. DEG.	JIB POINT ELEV. FEET	LUFFING JIB CAPACITY POUNDS	JIB ANG. DEG.	JIB POINT ELEV. FEET	LUFFING JIB CAPACITY POUNDS	JIB ANG. DEG.	JIB POINT ELEV. FEET	LUFFING JIB CAPACITY POUNDS	
50	75.4	293.0	45,000*																			50
55	73.4	291.7	43,500*																			55
60	71.4	290.1	42,000*																			60
65	69.4	288.3	40,400*																			65
70	67.3	286.3	38,800*																			70
75	65.2	284.1	37,300*	70.2	287.9	41,200*																75
80	63.1	281.7	35,800*	68.2	286.0	39,700*																80
85	60.9	279.0	34,300*	66.1	283.9	38,200*																85
90	58.7	276.1	32,900*	64.0	281.6	36,800*	67.1	283.7	38,600*													90
95	56.5	272.9	31,600*	61.9	279.0	35,300*	65.0	281.5	37,300*													95
100	54.1	269.5	30,300*	59.7	276.2	33,900*	62.8	279.0	35,600													100
105	51.7	265.7	29,000*	57.5	273.2	32,500*	60.7	276.3	33,400													105
110	49.3	261.6	27,800*	55.2	269.9	31,200*	58.5	273.4	31,400													110
115	46.7	257.1	26,600*	52.8	266.2	29,900*	56.2	270.2	29,600	61.5	274.5	26,400										115
120	44.0	252.1	25,500*	50.4	262.3	28,700*	53.9	266.7	28,000	59.3	271.7	25,000										120
125	41.2	246.7	24,500*	47.8	257.9	27,500*	51.5	262.9	26,500	57.0	268.6	23,600										125
130	38.2	240.7	23,500*	45.2	253.2	26,400*	49.0	258.7	25,100	54.7	265.2	22,300										130
135	35.0	234.0	22,500*	42.4	248.0	25,300*	46.4	254.1	23,900	52.4	261.5	21,200	57.8	265.7	18,600							135
140	31.5	226.3	21,600*	39.5	242.2	24,200*	43.7	249.2	22,700	49.9	257.5	20,100	55.5	262.4	17,600							140
145	27.7	217.5	20,800*	36.4	235.8	23,100	40.8	243.7	21,600	47.4	253.1	19,100	53.1	258.9	16,700							145
150	23.2	207.0	20,000*	33.1	228.6	22,000	37.8	237.6	20,600	44.7	248.3	18,200	50.7	254.9	15,900							150
155	17.7	193.6	19,400*	29.4	220.3	21,000	34.6	230.7	19,700	41.9	243.0	17,400	48.2	250.7	15,100							155
160	9.7	173.1	18,800*	25.2	210.7	20,100	31.1	223.0	18,800	39.0	237.1	16,600	45.6	246.0	14,400	51.3	251.1	12,300				160
165				20.3	198.7	19,200	27.1	214.0	17,900	35.8	230.6	15,800	42.8	240.8	13,700	48.8	246.9	11,700				165
170				13.7	182.4	18,400	22.6	203.2	17,200	32.4	223.2	15,100	39.9	235.2	13,100	46.2	242.3	11,100				170
175							17.0	189.3	16,400	28.7	214.7	14,400	36.9	228.9	12,500	43.5	237.3	10,600				175
180							8.2	166.9	15,700	24.4	204.7	13,800	33.6	221.8	11,900	40.7	231.7	10,100	46.6	237.2	8,300	180
185										19.3	192.2	13,200	29.9	213.7	11,400	37.6	225.6	9,600	43.9	232.2	7,900	185
190										12.2	174.5	12,600	25.8	204.2	10,900	34.4	218.7	9,100	41.1	226.8	7,400	190
195													21.0	192.7	10,400	30.8	210.9	8,700	38.1	220.7	7,100	195
200													14.8	177.3	9,900	26.9	201.8	8,300	34.9	214.0	6,700	200
205																22.3	190.9	7,900	31.4	206.3	6,300	205
210																16.5	176.7	7,500	27.5	197.5	6,000	210
215																7.3	153.0	7,100	23.0	186.9	5,700	215
220																			17.5	173.3	5,400	220
225																			9.2	152.3	5,000	225

S/N: 8885093

MANITOWOC ENGINEERING CO.

Division of the Manitowoc Company, Inc. Manitowoc, Wisconsin 54220



LIFTCRANE LUFFING JIB CAPACITIES

DESIGNED AND TESTED
WITH THE INTENT TO BE
THE SCOPE OF ANSI B30.5

888 SERIES 1

LUFFING JIB NO. 135 ON BOOM NO. 22EL
144,100 LB. COUNTERWEIGHT
28'2" CRAWLERS EXTENDED
360 DEGREE RATING

140 FT. BOOM, 160 FT. JIB

JIB OPER. RAD. FEET	88 DEGREE BOOM ANGLE			83 DEGREE BOOM ANGLE			80 DEGREE BOOM ANGLE			75 DEGREE BOOM ANGLE			70 DEGREE BOOM ANGLE			65 DEGREE BOOM ANGLE			60 DEGREE BOOM ANGLE			JIB OPER. RAD. FEET
	JIB ANG. DEG.	JIB POINT ELEV. FEET	LUFFING JIB CAPACITY POUNDS	JIB ANG. DEG.	JIB POINT ELEV. FEET	LUFFING JIB CAPACITY POUNDS	JIB ANG. DEG.	JIB POINT ELEV. FEET	LUFFING JIB CAPACITY POUNDS	JIB ANG. DEG.	JIB POINT ELEV. FEET	LUFFING JIB CAPACITY POUNDS	JIB ANG. DEG.	JIB POINT ELEV. FEET	LUFFING JIB CAPACITY POUNDS	JIB ANG. DEG.	JIB POINT ELEV. FEET	LUFFING JIB CAPACITY POUNDS	JIB ANG. DEG.	JIB POINT ELEV. FEET	LUFFING JIB CAPACITY POUNDS	
55	74.5	302.1	40,100*																			55
60	72.6	300.6	38,500*																			60
65	70.7	298.9	37,000*																			65
70	68.8	297.1	35,500*																			70
75	66.9	295.0	34,100*																			75
80	64.9	292.8	32,600*	69.6	296.7	36,200*																80
85	62.9	290.4	31,200*	67.7	294.8	34,900*																85
90	60.9	287.7	29,900*	65.8	292.6	33,500*																90
95	58.8	284.8	28,600*	63.8	290.3	32,100*	66.6	292.4	33,900*													95
100	56.7	281.6	27,300*	61.8	287.7	30,800*	64.7	290.2	32,600*													100
105	54.5	278.2	26,100*	59.7	284.9	29,400*	62.7	287.7	31,300*													105
110	52.3	274.5	24,900*	57.6	281.9	28,200*	60.6	285.0	30,000*													110
115	50.0	270.5	23,800*	55.5	278.6	26,900*	58.6	282.1	28,800*													115
120	47.6	266.1	22,700*	53.3	275.0	25,700*	56.4	278.9	27,500*	61.4	283.2	24,600										120
125	45.1	261.3	21,600*	51.0	271.1	24,500*	54.3	275.4	26,200	59.3	280.3	23,200										125
130	42.6	256.1	20,600*	48.7	266.9	23,400*	52.0	271.7	24,800	57.2	277.3	22,000										130
135	39.8	250.4	19,700*	46.2	262.3	22,400*	49.7	267.6	23,600	55.1	273.9	20,800										135
140	37.0	244.1	18,800*	43.7	257.3	21,300*	47.3	263.2	22,400	52.9	270.3	19,800	57.9	274.4	17,200							140
145	33.9	237.1	17,900*	41.0	251.8	20,400*	44.8	258.4	21,300	50.6	266.3	18,800	55.8	271.1	16,300							145
150	30.5	229.1	17,100*	38.2	245.7	19,400*	42.2	253.1	20,300	48.2	262.0	17,900	53.6	267.6	15,500							150
155	26.8	219.9	16,400*	35.2	239.0	18,500*	39.5	247.3	19,400	45.8	257.4	17,000	51.3	263.8	14,800							155
160	22.5	209.0	15,700*	32.0	231.5	17,700*	36.6	240.9	18,500	43.2	252.3	16,200	49.0	259.6	14,000							160
165	17.2	195.2	15,100*	28.4	222.9	16,900*	33.5	233.8	17,700	40.5	246.7	15,500	46.6	255.0	13,400	51.9	259.9	11,300				165
170	9.4	174.0	14,500*	24.4	212.9	16,200*	30.1	225.7	16,900	37.7	240.6	14,800	44.0	250.1	12,700	49.6	255.8	10,700				170
175				19.6	200.5	15,500*	26.3	216.4	16,200	34.7	233.7	14,100	41.4	244.7	12,100	47.2	251.3	10,200				175
180				13.3	183.6	14,900*	21.9	205.2	15,500	31.4	226.0	13,500	38.6	238.7	11,600	44.7	246.5	9,700				180
185							16.4	190.8	14,800	27.8	217.2	12,900	35.7	232.1	11,000	42.1	241.2	9,200	47.5	246.2	7,400	185
190							7.9	167.6	14,100	23.6	206.8	12,300	32.5	224.7	10,500	39.3	235.4	8,800	45.0	241.4	7,000	190
195										18.7	193.9	11,800	29.0	216.3	10,100	36.4	228.9	8,300	42.5	236.2	6,700	195
200										11.8	175.6	11,300	25.0	206.5	9,600	33.3	221.7	7,900	39.7	230.5	6,300	200
205													20.4	194.5	9,200	29.8	213.6	7,500	36.8	224.1	6,000	205
210													14.4	178.5	8,700	26.0	204.2	7,200	33.7	217.1	5,600	210
215																21.6	192.8	6,800	30.4	209.1	5,300	215
220																16.0	178.1	6,400	26.6	199.9	5,000	220
225																7.0	153.6	6,100	22.3	188.9	4,700	225
230																			16.9	174.8	4,400	230
235																			9.0	153.1	4,100	235

S/N: 8885093

MANITOWOC ENGINEERING CO.

Division of the Manitowoc Company, Inc. Manitowoc, Wisconsin 54220



LIFTCRANE LUFFING JIB CAPACITIES

DESIGNED AND TESTED
WITH THE INTENT TO BE
THE SCOPE OF ANSI B30.5

888 SERIES 1

LUFFING JIB NO. 135 ON BOOM NO. 22EL
144,100 LB. COUNTERWEIGHT
28'2" CRAWLERS EXTENDED
360 DEGREE RATING

140 FT. BOOM, 170 FT. JIB

JIB OPER. RAD. FEET	88 DEGREE BOOM ANGLE			83 DEGREE BOOM ANGLE			80 DEGREE BOOM ANGLE			75 DEGREE BOOM ANGLE			70 DEGREE BOOM ANGLE			65 DEGREE BOOM ANGLE			60 DEGREE BOOM ANGLE			JIB OPER. RAD. FEET
	JIB ANG. DEG.	JIB POINT ELEV. FEET	LUFFING JIB CAPACITY POUNDS	JIB ANG. DEG.	JIB POINT ELEV. FEET	LUFFING JIB CAPACITY POUNDS	JIB ANG. DEG.	JIB POINT ELEV. FEET	LUFFING JIB CAPACITY POUNDS	JIB ANG. DEG.	JIB POINT ELEV. FEET	LUFFING JIB CAPACITY POUNDS	JIB ANG. DEG.	JIB POINT ELEV. FEET	LUFFING JIB CAPACITY POUNDS	JIB ANG. DEG.	JIB POINT ELEV. FEET	LUFFING JIB CAPACITY POUNDS	JIB ANG. DEG.	JIB POINT ELEV. FEET	LUFFING JIB CAPACITY POUNDS	
55	75.4	312.4	37,000*																			55
60	73.6	311.0	35,600*																			60
65	71.9	309.5	34,200*																			65
70	70.1	307.8	32,800*																			70
75	68.3	305.9	31,400*																			75
80	66.5	303.8	30,000*	70.9	307.4	33,400*																80
85	64.6	301.5	28,700*	69.1	305.5	32,000*																85
90	62.7	299.0	27,400*	67.3	303.5	30,700*																90
95	60.8	296.3	26,100*	65.4	301.4	29,500*																95
100	58.9	293.4	24,900*	63.6	299.0	28,200*	66.2	301.2	29,900*													100
105	56.9	290.3	23,800*	61.7	296.4	26,900*	64.4	298.9	28,700*													105
110	54.9	286.9	22,600*	59.7	293.6	25,700*	62.5	296.4	27,500*													110
115	52.8	283.3	21,500*	57.8	290.5	24,500*	60.6	293.6	26,300*													115
120	50.6	279.3	20,500*	55.7	287.3	23,400*	58.6	290.7	25,100*													120
125	48.4	275.0	19,500*	53.7	283.7	22,300*	56.6	287.5	23,900*	61.3	291.9	22,900										125
130	46.1	270.4	18,500*	51.6	279.9	21,200*	54.6	284.1	22,800*	59.4	289.0	21,700										130
135	43.7	265.4	17,600*	49.4	275.8	20,200*	52.5	280.4	21,700*	57.4	285.9	20,600										135
140	41.2	259.9	16,700*	47.1	271.3	19,200*	50.4	276.4	20,700*	55.4	282.6	19,500										140
145	38.6	254.0	15,900*	44.8	266.5	18,200*	48.1	272.1	19,700*	53.3	279.0	18,500	58.0	283.1	16,100							145
150	35.8	247.4	15,100*	42.3	261.2	17,300*	45.8	267.5	18,700*	51.2	275.1	17,600	56.0	279.8	15,200							150
155	32.8	240.0	14,300*	39.7	255.5	16,400*	43.4	262.4	17,800*	49.0	271.0	16,800	54.0	276.3	14,500							155
160	29.6	231.8	13,600*	37.0	249.1	15,600*	40.9	256.9	16,900*	46.7	266.4	16,000	51.9	272.6	13,800							160
165	25.9	222.3	12,900*	34.1	242.2	14,800*	38.3	250.8	16,100*	44.3	261.5	15,200	49.7	268.5	13,100							165
170	21.8	211.0	12,100*	31.0	234.3	14,100*	35.5	244.2	15,300*	41.9	256.2	14,500	47.4	264.1	12,500	52.4	268.6	10,400				170
175	16.7	196.6	11,300*	27.6	225.4	13,400*	32.4	236.7	14,500*	39.3	250.3	13,900	45.1	259.3	11,900	50.2	264.6	9,900				175
180	9.1	174.8	10,600*	23.7	215.0	12,500*	29.1	228.4	13,800*	36.5	243.9	13,300	42.7	254.1	11,300	48.0	260.3	9,400				180
185				19.0	202.2	11,700*	25.5	218.7	13,000*	33.6	236.8	12,700	40.1	248.4	10,800	45.7	255.6	8,900				185
190				12.9	184.7	10,900*	21.2	207.1	12,100*	30.4	228.8	12,100	37.4	242.2	10,300	43.3	250.5	8,500				190
195							15.9	192.2	11,300*	26.9	219.7	11,600	34.6	235.3	9,800	40.7	245.0	8,100	46.0	250.5	6,400	195
200							7.7	168.3	10,600*	22.9	208.9	11,100	31.5	227.6	9,400	38.1	238.9	7,700	43.6	245.5	6,000	200
205										18.1	195.5	10,600	28.1	218.9	8,900	35.3	232.2	7,300	41.1	240.0	5,700	205
210										11.5	176.6	10,100	24.2	208.7	8,500	32.2	224.7	6,900	38.5	234.0	5,400	210
215													19.7	196.3	8,100	28.9	216.2	6,600	35.7	227.4	5,100	215
220													13.9	179.8	7,700	25.2	206.4	6,200	32.7	220.0	4,800	220
225																20.9	194.7	5,900	29.4	211.7	4,500	225
230																15.5	179.5	5,600	25.8	202.2	4,200	230
235																6.8	154.2	5,200				235

S/N: 8885093

MANITOWOC ENGINEERING CO.

Division of the Manitowoc Company, Inc. Manitowoc, Wisconsin 54220



LIFTCRANE LUFFING JIB CAPACITIES

DESIGNED AND TESTED
WITH THE INTENT TO BE
THE SCOPE OF ANSI B30.5

888 SERIES 1

**LUFFING JIB NO. 135 ON BOOM NO. 22EL
144,100 LB. COUNTERWEIGHT
28'2" CRAWLERS EXTENDED
360 DEGREE RATING**

150 FT. BOOM, 70 FT. JIB

JIB OPER. RAD. FEET	88 DEGREE BOOM ANGLE			83 DEGREE BOOM ANGLE			80 DEGREE BOOM ANGLE			75 DEGREE BOOM ANGLE			70 DEGREE BOOM ANGLE			65 DEGREE BOOM ANGLE			60 DEGREE BOOM ANGLE			JIB OPER. RAD. FEET	
	JIB ANG. DEG.	JIB POINT ELEV. FEET	LUFFING JIB CAPACITY POUNDS	JIB ANG. DEG.	JIB POINT ELEV. FEET	LUFFING JIB CAPACITY POUNDS	JIB ANG. DEG.	JIB POINT ELEV. FEET	LUFFING JIB CAPACITY POUNDS	JIB ANG. DEG.	JIB POINT ELEV. FEET	LUFFING JIB CAPACITY POUNDS	JIB ANG. DEG.	JIB POINT ELEV. FEET	LUFFING JIB CAPACITY POUNDS	JIB ANG. DEG.	JIB POINT ELEV. FEET	LUFFING JIB CAPACITY POUNDS	JIB ANG. DEG.	JIB POINT ELEV. FEET	LUFFING JIB CAPACITY POUNDS		
45	62.3	219.9	94,000* ^b																			45	
50	57.6	217.0	90,100* ^b																			50	
55	52.6	213.5	86,800* ^b																			55	
60	47.2	209.3	81,500	60.5	217.6	74,600b																60	
65	41.4	204.2	73,600	55.7	214.5	67,400b																65	
70	34.7	197.8	67,000	50.5	210.7	61,400b	58.3	215.0	58,000b													70	
75	26.7	189.4	61,400	45.0	206.2	56,300	53.4	211.6	53,200b													75	
80	15.3	176.4	52,500*	38.9	200.6	51,900	48.1	207.5	49,000	60.9	213.6	44,200b										80	
85				31.8	193.6	48,100	42.3	202.6	45,400	56.1	210.5	40,900b										85	
90				22.9	183.9	44,700	35.9	196.4	42,200	51.1	206.8	38,100b										90	
95				6.9	165.1	41,600	28.1	188.4	39,400	45.6	202.4	35,500										95	
100							17.6	176.5	36,800	39.5	196.9	33,200	53.6	204.6	29,600b								100
105										32.6	190.0	31,200	48.3	200.5	27,800								105
110										23.9	180.7	29,300	42.5	195.6	26,100								110
115										9.7	164.1	27,500	36.1	189.5	24,600	50.5	197.0	21,600b					115
120													28.4	181.5	23,200	44.9	192.5	20,400					120
125													18.0	169.9	21,900	38.8	186.9	19,300					125
130																31.7	179.8	18,200	46.7	187.8	15,700		130
135																22.7	170.1	17,200	40.7	182.5	14,900		135
140																6.4	150.8	16,200	34.0	176.0	14,100		140
145																			25.7	167.3	13,300		145
150																			13.6	153.2	12,600		150

S/N: 8885093

MANITOWOC ENGINEERING CO.

Division of the Manitowoc Company, Inc. Manitowoc, Wisconsin 54220



LIFTCRANE LUFFING JIB CAPACITIES

DESIGNED AND TESTED
WITH THE INTENT TO BE
THE SCOPE OF ANSI B30.5

888 SERIES 1

**LUFFING JIB NO. 135 ON BOOM NO. 22EL
144,100 LB. COUNTERWEIGHT
28'2" CRAWLERS EXTENDED
360 DEGREE RATING**

150 FT. BOOM, 80 FT. JIB

JIB OPER. RAD. FEET	88 DEGREE BOOM ANGLE			83 DEGREE BOOM ANGLE			80 DEGREE BOOM ANGLE			75 DEGREE BOOM ANGLE			70 DEGREE BOOM ANGLE			65 DEGREE BOOM ANGLE			60 DEGREE BOOM ANGLE			JIB OPER. RAD. FEET
	JIB ANG. DEG.	JIB POINT ELEV. FEET	LUFFING JIB CAPACITY POUNDS	JIB ANG. DEG.	JIB POINT ELEV. FEET	LUFFING JIB CAPACITY POUNDS	JIB ANG. DEG.	JIB POINT ELEV. FEET	LUFFING JIB CAPACITY POUNDS	JIB ANG. DEG.	JIB POINT ELEV. FEET	LUFFING JIB CAPACITY POUNDS	JIB ANG. DEG.	JIB POINT ELEV. FEET	LUFFING JIB CAPACITY POUNDS	JIB ANG. DEG.	JIB POINT ELEV. FEET	LUFFING JIB CAPACITY POUNDS	JIB ANG. DEG.	JIB POINT ELEV. FEET	LUFFING JIB CAPACITY POUNDS	
45	66.0	231.0	87,300* ^b																			45
50	62.0	228.6	83,700* ^b																			50
55	57.9	225.7	80,400* ^b																			55
60	53.6	222.3	77,300*	64.5	228.9	74,300b																60
65	49.0	218.2	73,500	60.4	226.3	67,100b	66.6	228.8	63,300b													65
70	44.0	213.5	66,900	56.2	223.2	61,100b	62.7	226.5	57,600b													70
75	38.6	207.8	61,300	51.8	219.5	56,000	58.6	223.6	52,800b													75
80	32.4	200.8	56,600	47.1	215.3	51,600	54.3	220.3	48,700													80
85	25.0	191.7	52,400	42.0	210.2	47,800	49.7	216.4	45,100	60.8	222.2	40,500b										85
90	14.3	177.7	46,100*	36.3	204.0	44,500	44.8	211.8	41,900	56.6	219.2	37,700b										90
95				29.7	196.3	41,500	39.5	206.3	39,100	52.2	215.6	35,100										95
100				21.4	185.9	38,900	33.5	199.5	36,600	47.5	211.4	32,900										100
105				6.5	165.7	36,400	26.3	190.8	34,400	42.5	206.4	30,900	54.4	213.3	27,400							105
110							16.4	178.0	32,300	36.9	200.4	29,000	49.9	209.4	25,700							110
115										30.4	192.9	27,400	45.0	204.8	24,300							115
120										22.3	182.8	25,800	39.7	199.3	22,900	51.7	205.9	20,000				120
125										9.1	165.0	24,400	33.7	192.6	21,600	47.0	201.6	18,900				125
130													26.5	184.0	20,500	41.9	196.5	17,800				130
135													16.8	171.4	19,400	36.2	190.3	16,900				135
140																29.6	182.6	16,000	43.5	191.9	13,700	140
145																21.2	172.0	15,200	38.0	186.1	12,900	145
150																6.0	151.4	14,300	31.7	178.9	12,300	150
155																			24.1	169.5	11,600	155
160																			12.7	154.4	10,900	160

S/N: 8885093

MANITOWOC ENGINEERING CO.

Division of the Manitowoc Company, Inc. Manitowoc, Wisconsin 54220



LIFTCRANE LUFFING JIB CAPACITIES

DESIGNED AND TESTED
WITH THE INTENT TO BE
THE SCOPE OF ANSI B30.5

888 SERIES 1

**LUFFING JIB NO. 135 ON BOOM NO. 22EL
144,100 LB. COUNTERWEIGHT
28'2" CRAWLERS EXTENDED
360 DEGREE RATING**

150 FT. BOOM, 90 FT. JIB

JIB OPER. RAD. FEET	88 DEGREE BOOM ANGLE			83 DEGREE BOOM ANGLE			80 DEGREE BOOM ANGLE			75 DEGREE BOOM ANGLE			70 DEGREE BOOM ANGLE			65 DEGREE BOOM ANGLE			60 DEGREE BOOM ANGLE			JIB OPER. RAD. FEET
	JIB ANG. DEG.	JIB POINT ELEV. FEET	LUFFING JIB CAPACITY POUNDS	JIB ANG. DEG.	JIB POINT ELEV. FEET	LUFFING JIB CAPACITY POUNDS	JIB ANG. DEG.	JIB POINT ELEV. FEET	LUFFING JIB CAPACITY POUNDS	JIB ANG. DEG.	JIB POINT ELEV. FEET	LUFFING JIB CAPACITY POUNDS	JIB ANG. DEG.	JIB POINT ELEV. FEET	LUFFING JIB CAPACITY POUNDS	JIB ANG. DEG.	JIB POINT ELEV. FEET	LUFFING JIB CAPACITY POUNDS	JIB ANG. DEG.	JIB POINT ELEV. FEET	LUFFING JIB CAPACITY POUNDS	
45	68.8	241.8	79,000* ^b																			45
50	65.4	239.7	75,800* ^b																			50
55	61.8	237.2	72,800* ^b																			55
60	58.1	234.3	70,000*	67.5	239.8	74,100b																60
65	54.3	231.0	67,400*	64.0	237.6	66,900b																65
70	50.3	227.1	65,100*	60.4	234.9	60,900	65.9	237.6	57,400b													70
75	46.0	222.6	61,200	56.6	231.9	55,800	62.4	235.1	52,600b													75
80	41.4	217.4	56,500	52.7	228.3	51,500	58.7	232.3	48,400													80
85	36.3	211.2	52,300	48.6	224.2	47,700	54.9	229.0	44,900													85
90	30.5	203.6	48,700	44.2	219.5	44,400	50.9	225.3	41,700	60.7	230.9	37,400b										90
95	23.5	193.8	45,500	39.5	213.9	41,400	46.7	220.9	39,000	57.0	227.9	34,900										95
100	13.5	178.9	41,000*	34.1	207.2	38,800	42.1	215.8	36,500	53.1	224.4	32,700										100
105				28.0	198.9	36,400	37.1	209.7	34,300	49.0	220.3	30,700										105
110				20.2	187.7	34,300	31.5	202.4	32,300	44.7	215.6	28,900	55.0	222.0	25,500							110
115				6.1	166.3	32,200	24.7	193.1	30,400	39.9	210.2	27,200	51.0	218.2	24,000							115
120							15.5	179.4	28,700	34.7	203.6	25,700	46.8	213.9	22,700	52.7	214.6	18,600				120
125										28.6	195.5	24,300	42.3	208.8	21,400	48.6	210.5	17,600				125
130										21.0	184.7	23,000	37.3	202.8	20,300	44.2	205.8	16,700				130
135										8.5	165.7	21,800	31.7	195.5	19,200	39.4	200.2	15,800				135
140													25.0	186.3	18,300	34.1	193.5	15,000	45.5	201.1	12,700	140
145													15.8	172.8	17,300	27.9	185.1	14,200	40.9	195.7	12,000	145
150																20.0	173.9	13,500	35.7	189.4	11,400	150
155																5.6	151.9	12,700	29.9	181.7	10,800	155
160																			22.7	171.5	10,200	160
165																			11.9	155.5	9,700	165
170																						170

S/N: 8885093

MANITOWOC ENGINEERING CO.

Division of the Manitowoc Company, Inc. Manitowoc, Wisconsin 54220



LIFTCRANE LUFFING JIB CAPACITIES

DESIGNED AND TESTED
WITH THE INTENT TO BE
THE SCOPE OF ANSI B30.5

888 SERIES 1

LUFFING JIB NO. 135 ON BOOM NO. 22EL
144,100 LB. COUNTERWEIGHT
28'2" CRAWLERS EXTENDED
360 DEGREE RATING

150 FT. BOOM, 100 FT. JIB

JIB OPER. RAD. FEET	88 DEGREE BOOM ANGLE			83 DEGREE BOOM ANGLE			80 DEGREE BOOM ANGLE			75 DEGREE BOOM ANGLE			70 DEGREE BOOM ANGLE			65 DEGREE BOOM ANGLE			60 DEGREE BOOM ANGLE			JIB OPER. RAD. FEET	
	JIB ANG. DEG.	JIB POINT ELEV. FEET	LUFFING JIB CAPACITY POUNDS	JIB ANG. DEG.	JIB POINT ELEV. FEET	LUFFING JIB CAPACITY POUNDS	JIB ANG. DEG.	JIB POINT ELEV. FEET	LUFFING JIB CAPACITY POUNDS	JIB ANG. DEG.	JIB POINT ELEV. FEET	LUFFING JIB CAPACITY POUNDS	JIB ANG. DEG.	JIB POINT ELEV. FEET	LUFFING JIB CAPACITY POUNDS	JIB ANG. DEG.	JIB POINT ELEV. FEET	LUFFING JIB CAPACITY POUNDS	JIB ANG. DEG.	JIB POINT ELEV. FEET	LUFFING JIB CAPACITY POUNDS		
45	71.0	252.5	73,800*b																			45	
50	68.0	250.6	70,700*b																			50	
55	64.8	248.4	67,800*																			55	
60	61.6	245.9	65,100*	69.8	250.5	73,400*b																60	
65	58.3	243.0	62,500*	66.7	248.6	66,500b																65	
70	54.9	239.7	60,100*	63.6	246.2	60,600																70	
75	51.3	235.9	57,800*	60.3	243.6	55,500	65.3	246.3	52,200b													75	
80	47.5	231.7	55,700*	57.0	240.5	51,100	62.1	243.8	48,100													80	
85	43.5	226.8	52,100	53.5	237.1	47,400	58.8	241.0	44,500													85	
90	39.2	221.1	48,500	49.8	233.1	44,100	55.4	237.7	41,400													90	
95	34.4	214.4	45,300	46.0	228.6	41,100	51.9	234.1	38,600	60.7	239.5	34,500										95	
100	28.9	206.3	42,400	41.9	223.4	38,500	48.1	229.9	36,200	57.3	236.5	32,300										100	
105	22.3	195.9	39,900	37.4	217.4	36,200	44.2	225.1	34,000	53.8	233.1	30,300										105	
110	12.8	180.0	36,500*	32.3	210.2	34,100	39.9	219.5	32,000	50.2	229.2	28,500										110	
115				26.5	201.3	32,100	35.2	213.0	30,200	46.4	224.8	26,900	55.5	230.7	23,600								115
120				19.1	189.4	30,400	29.8	205.2	28,500	42.3	219.6	25,400	52.0	227.0	22,300								120
125				5.8	166.8	28,700	23.5	195.2	27,000	37.8	213.7	24,000	48.3	222.9	21,000								125
130							14.7	180.7	25,600	32.9	206.6	22,700	44.3	218.1	19,900								130
135										27.1	198.0	21,600	40.0	212.6	18,900	49.8	219.4	16,200					135
140										19.9	186.5	20,500	35.3	206.1	17,900	45.9	214.9	15,400					140
145										8.1	166.5	19,400	30.0	198.3	17,000	41.8	209.7	14,600					145
150													23.7	188.4	16,200	37.3	203.6	13,900	47.1	210.1	11,600		150
155													15.0	174.2	15,400	32.3	196.4	13,200	43.1	205.1	11,000		155
160																26.4	187.5	12,500	38.7	199.4	10,400		160
165																19.0	175.6	11,900	33.8	192.5	9,900		165
170																5.3	152.3	11,200	28.3	184.2	9,400		170
175																			21.5	173.5	8,900		175
180																			11.3	156.5	8,400		180

S/N: 8885093

MANITOWOC ENGINEERING CO.

Division of the Manitowoc Company, Inc. Manitowoc, Wisconsin 54220



LIFTCRANE LUFFING JIB CAPACITIES

DESIGNED AND TESTED
WITH THE INTENT TO BE
THE SCOPE OF ANSI B30.5

888 SERIES 1

LUFFING JIB NO. 135 ON BOOM NO. 22EL
144,100 LB. COUNTERWEIGHT
28'2" CRAWLERS EXTENDED
360 DEGREE RATING

150 FT. BOOM, 110 FT. JIB

JIB OPER. RAD. FEET	88 DEGREE BOOM ANGLE			83 DEGREE BOOM ANGLE			80 DEGREE BOOM ANGLE			75 DEGREE BOOM ANGLE			70 DEGREE BOOM ANGLE			65 DEGREE BOOM ANGLE			60 DEGREE BOOM ANGLE			JIB OPER. RAD. FEET
	JIB ANG. DEG.	JIB POINT ELEV. FEET	LUFFING JIB CAPACITY POUNDS	JIB ANG. DEG.	JIB POINT ELEV. FEET	LUFFING JIB CAPACITY POUNDS	JIB ANG. DEG.	JIB POINT ELEV. FEET	LUFFING JIB CAPACITY POUNDS	JIB ANG. DEG.	JIB POINT ELEV. FEET	LUFFING JIB CAPACITY POUNDS	JIB ANG. DEG.	JIB POINT ELEV. FEET	LUFFING JIB CAPACITY POUNDS	JIB ANG. DEG.	JIB POINT ELEV. FEET	LUFFING JIB CAPACITY POUNDS	JIB ANG. DEG.	JIB POINT ELEV. FEET	LUFFING JIB CAPACITY POUNDS	
45	72.8	263.0	68,700* ^b																			45
50	70.1	261.3	66,300* ^b																			50
55	67.3	259.4	64,000*																			55
60	64.4	257.1	61,900*																			60
65	61.5	254.6	59,800*	69.0	259.3	66,200* ^b																65
70	58.5	251.7	57,700*	66.1	257.3	60,500																70
75	55.4	248.4	55,600*	63.3	254.9	55,400	67.7	257.2	52,100													75
80	52.1	244.7	53,600*	60.3	252.2	51,100	64.9	255.0	48,000													80
85	48.8	240.6	51,700*	57.3	249.2	47,300	61.9	252.5	44,500													85
90	45.2	235.9	48,500	54.1	245.8	44,000	58.9	249.6	41,300													90
95	41.4	230.6	45,300	50.8	242.0	41,100	55.9	246.4	38,600													95
100	37.3	224.5	42,500	47.4	237.6	38,500	52.6	242.8	36,100	60.6	248.2	32,200										100
105	32.7	217.4	39,900	43.7	232.7	36,200	49.3	238.8	33,900	57.6	245.2	30,200										105
110	27.6	208.8	37,600	39.8	227.1	34,100	45.8	234.2	32,000	54.4	241.8	28,400										110
115	21.3	197.8	35,500	35.6	220.6	32,200	42.0	229.0	30,200	51.1	238.0	26,800										115
120	12.2	181.1	33,600*	30.8	213.0	30,400	38.0	223.1	28,500	47.7	233.8	25,300	56.0	239.4	22,200							120
125				25.3	203.6	28,800	33.5	216.1	27,000	44.1	228.9	24,000	52.7	235.8	21,000							125
130				18.2	191.1	27,400	28.4	207.8	25,600	40.2	223.4	22,700	49.4	231.8	19,900							130
135				5.5	167.3	25,900	22.3	197.2	24,300	36.0	217.0	21,600	45.9	227.2	18,900							135
140							14.0	182.0	23,100	31.3	209.5	20,500	42.1	222.0	17,900	50.8	228.3	15,400				140
145										25.8	200.3	19,500	38.1	216.1	17,000	47.3	223.9	14,600				145
150										19.0	188.2	18,600	33.6	209.2	16,200	43.7	219.0	13,800				150
155										7.7	167.1	17,700	28.6	200.9	15,400	39.8	213.4	13,200				155
160													22.6	190.5	14,700	35.5	206.9	12,500	44.8	214.4	10,400	160
165													14.3	175.5	14,000	30.7	199.3	11,900	41.0	209.0	9,900	165
170																25.2	189.8	11,300	36.8	202.8	9,400	170
175																18.1	177.2	10,800	32.2	195.5	8,900	175
180																5.1	152.8	10,200	27.0	186.7	8,400	180
185																			20.5	175.3	8,000	185
190																			10.8	157.5	7,600	190

S/N: 8885093

MANITOWOC ENGINEERING CO.

Division of the Manitowoc Company, Inc. Manitowoc, Wisconsin 54220



LIFTCRANE LUFFING JIB CAPACITIES

DESIGNED AND TESTED
WITH THE INTENT TO BE
THE SCOPE OF ANSI B30.5

888 SERIES 1

LUFFING JIB NO. 135 ON BOOM NO. 22EL
144,100 LB. COUNTERWEIGHT
28'2" CRAWLERS EXTENDED
360 DEGREE RATING

150 FT. BOOM, 120 FT. JIB

JIB OPER. RAD. FEET	88 DEGREE BOOM ANGLE			83 DEGREE BOOM ANGLE			80 DEGREE BOOM ANGLE			75 DEGREE BOOM ANGLE			70 DEGREE BOOM ANGLE			65 DEGREE BOOM ANGLE			60 DEGREE BOOM ANGLE			JIB OPER. RAD. FEET
	JIB ANG. DEG.	JIB POINT ELEV. FEET	LUFFING JIB CAPACITY POUNDS	JIB ANG. DEG.	JIB POINT ELEV. FEET	LUFFING JIB CAPACITY POUNDS	JIB ANG. DEG.	JIB POINT ELEV. FEET	LUFFING JIB CAPACITY POUNDS	JIB ANG. DEG.	JIB POINT ELEV. FEET	LUFFING JIB CAPACITY POUNDS	JIB ANG. DEG.	JIB POINT ELEV. FEET	LUFFING JIB CAPACITY POUNDS	JIB ANG. DEG.	JIB POINT ELEV. FEET	LUFFING JIB CAPACITY POUNDS	JIB ANG. DEG.	JIB POINT ELEV. FEET	LUFFING JIB CAPACITY POUNDS	
45	74.3	273.4	55,600* ^b																			45
50	71.8	271.9	54,500* ^b																			50
55	69.2	270.1	53,500*																			55
60	66.7	268.1	52,600*																			60
65	64.0	265.8	51,100*	70.8	270.0	54,900* ^b																65
70	61.4	263.2	49,200*	68.2	268.1	54,200*																70
75	58.6	260.3	47,400*	65.6	266.0	52,800*																75
80	55.8	257.1	45,600*	63.0	263.6	50,800	67.1	265.9	47,600													80
85	52.8	253.5	43,900*	60.3	260.9	47,000	64.5	263.7	44,100													85
90	49.8	249.5	42,300*	57.5	257.9	43,700	61.8	261.1	41,000													90
95	46.6	245.0	40,800*	54.6	254.5	40,800	59.0	258.3	38,200													95
100	43.2	240.0	39,400*	51.6	250.8	38,200	56.2	255.1	35,800													100
105	39.6	234.3	38,100*	48.5	246.6	35,900	53.3	251.6	33,600	60.5	256.9	29,800										105
110	35.6	227.8	36,900*	45.2	241.9	33,800	50.2	247.7	31,600	57.8	253.9	28,100										110
115	31.3	220.3	35,300	41.8	236.6	31,900	47.1	243.3	29,800	54.9	250.6	26,400										115
120	26.4	211.2	33,400	38.1	230.7	30,200	43.7	238.3	28,200	51.9	246.8	25,000										120
125	20.3	199.6	31,700	34.0	223.8	28,600	40.1	232.8	26,700	48.8	242.7	23,600	56.3	248.1	20,600							125
130	11.7	182.2	29,600*	29.5	215.7	27,100	36.3	226.4	25,400	45.6	238.1	22,400	53.4	244.6	19,500							130
135				24.2	205.8	25,800	32.0	219.0	24,100	42.1	232.9	21,300	50.3	240.6	18,500							135
140				17.4	192.6	24,500	27.2	210.2	22,900	38.4	227.0	20,200	47.2	236.3	17,500							140
145				5.3	167.8	23,300	21.4	199.2	21,800	34.4	220.2	19,200	43.8	231.3	16,700	51.6	237.1	14,200				145
150							13.4	183.2	20,800	29.9	212.2	18,300	40.3	225.8	15,800	48.5	232.9	13,400				150
155										24.7	202.6	17,400	36.4	219.5	15,100	45.2	228.2	12,800				155
160										18.2	189.8	16,600	32.2	212.1	14,400	41.7	222.9	12,100				160
165										7.4	167.8	15,800	27.4	203.4	13,700	38.0	216.9	11,500	46.2	223.5	9,400	165
170													21.6	192.4	13,000	33.9	210.0	11,000	42.8	218.4	9,000	170
175													13.7	176.7	12,400	29.4	201.9	10,400	39.2	212.6	8,500	175
180																24.1	192.0	9,900	35.2	206.0	8,100	180
185																17.3	178.8	9,400	30.8	198.3	7,600	185
190																4.9	153.2	8,900	25.8	189.0	7,200	190
195																			19.6	177.1	6,800	195
200																			10.3	158.4	6,400	200

S/N: 8885093

MANITOWOC ENGINEERING CO.

Division of the Manitowoc Company, Inc. Manitowoc, Wisconsin 54220



LIFTCRANE LUFFING JIB CAPACITIES

DESIGNED AND TESTED
WITH THE INTENT TO BE
THE SCOPE OF ANSI B30.5

888 SERIES 1

LUFFING JIB NO. 135 ON BOOM NO. 22EL
144,100 LB. COUNTERWEIGHT
28'2" CRAWLERS EXTENDED
360 DEGREE RATING

150 FT. BOOM, 130 FT. JIB

JIB OPER. RAD. FEET	88 DEGREE BOOM ANGLE			83 DEGREE BOOM ANGLE			80 DEGREE BOOM ANGLE			75 DEGREE BOOM ANGLE			70 DEGREE BOOM ANGLE			65 DEGREE BOOM ANGLE			60 DEGREE BOOM ANGLE			JIB OPER. RAD. FEET
	JIB ANG. DEG.	JIB POINT ELEV. FEET	LUFFING JIB CAPACITY POUNDS	JIB ANG. DEG.	JIB POINT ELEV. FEET	LUFFING JIB CAPACITY POUNDS	JIB ANG. DEG.	JIB POINT ELEV. FEET	LUFFING JIB CAPACITY POUNDS	JIB ANG. DEG.	JIB POINT ELEV. FEET	LUFFING JIB CAPACITY POUNDS	JIB ANG. DEG.	JIB POINT ELEV. FEET	LUFFING JIB CAPACITY POUNDS	JIB ANG. DEG.	JIB POINT ELEV. FEET	LUFFING JIB CAPACITY POUNDS	JIB ANG. DEG.	JIB POINT ELEV. FEET	LUFFING JIB CAPACITY POUNDS	
45	75.5	283.8	52,000*																			45
50	73.2	282.4	51,100*																			50
55	70.9	280.8	50,200*																			55
60	68.6	278.9	49,000*																			60
65	66.2	276.8	47,200*																			65
70	63.7	274.5	45,500*	70.0	278.8	50,300*																70
75	61.3	271.9	43,800*	67.6	276.9	48,700*																75
80	58.7	269.0	42,200*	65.2	274.7	47,100*																80
85	56.1	265.8	40,700*	62.8	272.3	45,400*	66.5	274.7	43,800													85
90	53.4	262.3	39,200*	60.3	269.6	43,500	64.1	272.4	40,700													90
95	50.6	258.4	37,800*	57.7	266.5	40,600	61.6	269.8	38,000													95
100	47.7	254.0	36,500*	55.0	263.2	38,000	59.1	267.0	35,500													100
105	44.6	249.2	35,200*	52.3	259.5	35,700	56.5	263.8	33,400	63.0	268.2	29,600										105
110	41.4	243.9	33,900*	49.5	255.5	33,600	53.8	260.3	31,400	60.5	265.5	27,800										110
115	37.9	237.8	32,800*	46.5	251.0	31,700	51.0	256.5	29,600	57.9	262.6	26,200										115
120	34.2	231.0	31,700*	43.4	246.0	30,000	48.1	252.2	28,000	55.3	259.3	24,700										120
125	30.1	223.0	30,700*	40.1	240.4	28,400	45.1	247.5	26,500	52.6	255.6	23,400										125
130	25.3	213.5	29,500*	36.5	234.0	26,900	41.9	242.2	25,100	49.7	251.6	22,100	56.6	256.8	19,200							130
135	19.5	201.4	28,100*	32.6	226.8	25,600	38.5	236.3	23,900	46.8	247.1	21,000	53.9	253.3	18,200							135
140	11.2	183.2	26,900*	28.3	218.3	24,400	34.8	229.6	22,700	43.7	242.2	20,000	51.1	249.5	17,300							140
145				23.2	207.9	23,200	30.7	221.8	21,600	40.4	236.6	19,000	48.2	245.2	16,400							145
150				16.7	194.1	22,100	26.1	212.6	20,600	36.9	230.4	18,100	45.2	240.5	15,600	52.3	245.9	13,100				150
155				5.1	168.2	21,100	20.5	201.0	19,700	33.0	223.2	17,200	42.0	235.3	14,800	49.4	241.8	12,500				155
160							12.9	184.3	18,700	28.7	214.9	16,400	38.6	229.4	14,100	46.5	237.3	11,900				160
165										23.7	204.7	15,700	34.9	222.7	13,500	43.3	232.3	11,300				165
170										17.5	191.4	15,000	30.9	215.0	12,800	40.0	226.6	10,700	47.4	232.5	8,700	170
175										7.1	168.4	14,200	26.3	205.8	12,200	36.5	220.3	10,200	44.3	227.6	8,200	175
180													20.7	194.3	11,700	32.6	213.0	9,700	41.0	222.2	7,800	180
185													13.2	177.9	11,100	28.2	204.5	9,200	37.6	216.1	7,400	185
190																23.1	194.1	8,800	33.8	209.1	7,000	190
195																16.6	180.3	8,300	29.6	201.0	6,600	195
200																4.7	153.7	7,900	24.8	191.3	6,300	200
205																			18.8	178.8	5,900	205
210																			9.9	159.3	5,500	210

S/N: 8885093

MANITOWOC ENGINEERING CO.

Division of the Manitowoc Company, Inc. Manitowoc, Wisconsin 54220



LIFTCRANE LUFFING JIB CAPACITIES

DESIGNED AND TESTED
WITH THE INTENT TO BE
THE SCOPE OF ANSI B30.5

888 SERIES 1

LUFFING JIB NO. 135 ON BOOM NO. 22EL
144,100 LB. COUNTERWEIGHT
28'2" CRAWLERS EXTENDED
360 DEGREE RATING

150 FT. BOOM, 140 FT. JIB

JIB OPER. RAD. FEET	88 DEGREE BOOM ANGLE			83 DEGREE BOOM ANGLE			80 DEGREE BOOM ANGLE			75 DEGREE BOOM ANGLE			70 DEGREE BOOM ANGLE			65 DEGREE BOOM ANGLE			60 DEGREE BOOM ANGLE			JIB OPER. RAD. FEET
	JIB ANG. DEG.	JIB POINT ELEV. FEET	LUFFING JIB CAPACITY POUNDS	JIB ANG. DEG.	JIB POINT ELEV. FEET	LUFFING JIB CAPACITY POUNDS	JIB ANG. DEG.	JIB POINT ELEV. FEET	LUFFING JIB CAPACITY POUNDS	JIB ANG. DEG.	JIB POINT ELEV. FEET	LUFFING JIB CAPACITY POUNDS	JIB ANG. DEG.	JIB POINT ELEV. FEET	LUFFING JIB CAPACITY POUNDS	JIB ANG. DEG.	JIB POINT ELEV. FEET	LUFFING JIB CAPACITY POUNDS	JIB ANG. DEG.	JIB POINT ELEV. FEET	LUFFING JIB CAPACITY POUNDS	
50	74.5	292.8	47,600*																			50
55	72.3	291.3	46,800*																			55
60	70.2	289.6	45,100*																			60
65	68.0	287.7	43,500*																			65
70	65.7	285.5	41,900*																			70
75	63.5	283.2	40,300*	69.3	287.6	44,700*																75
80	61.2	280.5	38,700*	67.1	285.6	43,200*																80
85	58.8	277.7	37,300*	64.9	283.4	41,700*																85
90	56.4	274.5	35,800*	62.6	280.9	40,200*	66.1	283.4	40,400													90
95	53.9	271.0	34,400*	60.2	278.2	38,700*	63.8	281.1	37,600													95
100	51.3	267.2	33,100*	57.9	275.2	37,200*	61.5	278.5	35,200													100
105	48.6	263.0	31,800*	55.4	271.9	35,400	59.2	275.6	33,000													105
110	45.8	258.4	30,600*	52.9	268.3	33,300	56.8	272.5	31,000	62.8	276.9	27,400										110
115	42.9	253.2	29,400*	50.3	264.3	31,400	54.3	269.1	29,300	60.5	274.2	25,800										115
120	39.8	247.6	28,300*	47.6	260.0	29,700	51.7	265.3	27,700	58.1	271.2	24,300										120
125	36.5	241.2	27,300*	44.7	255.2	28,100	49.1	261.2	26,200	55.6	268.0	23,000										125
130	32.9	234.0	26,300*	41.7	249.9	26,700	46.3	256.6	24,800	53.1	264.4	21,800										130
135	28.9	225.6	25,300*	38.6	243.9	25,300	43.4	251.6	23,600	50.5	260.4	20,700	56.8	265.5	17,800							135
140	24.4	215.7	24,500*	35.1	237.3	24,100	40.3	246.0	22,400	47.8	256.1	19,600	54.4	262.0	16,900							140
145	18.8	203.1	23,800*	31.4	229.6	23,000	37.0	239.7	21,300	45.0	251.4	18,600	51.8	258.3	16,000							145
150	10.8	184.2	23,200*	27.2	220.7	21,900	33.5	232.7	20,300	42.0	246.1	17,700	49.1	254.1	15,200							150
155				22.3	209.9	20,900	29.6	224.5	19,400	38.9	240.2	16,900	46.4	249.6	14,500	52.8	254.6	12,100				155
160				16.1	195.6	19,900	25.1	214.9	18,500	35.5	233.6	16,100	43.5	244.6	13,800	50.2	250.7	11,400				160
165				4.9	168.7	19,000	19.8	202.8	17,700	31.8	226.1	15,400	40.4	239.0	13,100	47.5	246.3	10,900				165
170							12.4	185.4	16,900	27.7	217.4	14,700	37.2	232.8	12,500	44.7	241.5	10,300				170
175										22.9	206.8	14,000	33.6	225.8	11,900	41.7	236.2	9,800				175
180										16.8	192.9	13,400	29.7	217.7	11,300	38.5	230.2	9,300	45.5	236.8	7,400	180
185										6.8	169.0	12,700	25.3	208.1	10,800	35.1	223.5	8,900	42.6	231.6	7,000	185
190													20.0	196.1	10,300	31.3	215.9	8,400	39.5	225.9	6,600	190
195													12.7	179.0	9,800	27.2	207.0	8,000	36.1	219.4	6,200	195
200																22.3	196.1	7,600	32.5	212.1	5,900	200
205																16.0	181.7	7,200	28.5	203.6	5,500	205
210																4.5	154.1	6,800	23.8	193.4	5,200	210
215																			18.1	180.4	4,900	215
220																			9.6	160.1	4,600	220

S/N: 8885093

MANITOWOC ENGINEERING CO.

Division of the Manitowoc Company, Inc. Manitowoc, Wisconsin 54220



LIFTCRANE LUFFING JIB CAPACITIES

DESIGNED AND TESTED
WITH THE INTENT TO BE
THE SCOPE OF ANSI B30.5

888 SERIES 1

LUFFING JIB NO. 135 ON BOOM NO. 22EL
144,100 LB. COUNTERWEIGHT
28'2" CRAWLERS EXTENDED
360 DEGREE RATING

150 FT. BOOM, 150 FT. JIB

JIB OPER. RAD. FEET	88 DEGREE BOOM ANGLE			83 DEGREE BOOM ANGLE			80 DEGREE BOOM ANGLE			75 DEGREE BOOM ANGLE			70 DEGREE BOOM ANGLE			65 DEGREE BOOM ANGLE			60 DEGREE BOOM ANGLE			JIB OPER. RAD. FEET
	JIB ANG. DEG.	JIB POINT ELEV. FEET	LUFFING JIB CAPACITY POUNDS	JIB ANG. DEG.	JIB POINT ELEV. FEET	LUFFING JIB CAPACITY POUNDS	JIB ANG. DEG.	JIB POINT ELEV. FEET	LUFFING JIB CAPACITY POUNDS	JIB ANG. DEG.	JIB POINT ELEV. FEET	LUFFING JIB CAPACITY POUNDS	JIB ANG. DEG.	JIB POINT ELEV. FEET	LUFFING JIB CAPACITY POUNDS	JIB ANG. DEG.	JIB POINT ELEV. FEET	LUFFING JIB CAPACITY POUNDS	JIB ANG. DEG.	JIB POINT ELEV. FEET	LUFFING JIB CAPACITY POUNDS	
50	75.5	303.1	44,400*																			50
55	73.5	301.7	43,300*																			55
60	71.5	300.2	41,700*																			60
65	69.5	298.4	40,200*																			65
70	67.5	296.4	38,700*																			70
75	65.4	294.3	37,200*	70.7	298.3	41,200*																75
80	63.2	291.8	35,700*	68.7	296.4	39,800*																80
85	61.1	289.2	34,300*	66.6	294.4	38,400*																85
90	58.9	286.3	32,900*	64.5	292.1	37,000*	67.8	294.3	38,800*													90
95	56.6	283.2	31,600*	62.4	289.6	35,600*	65.7	292.1	37,500*													95
100	54.3	279.7	30,300*	60.2	286.9	34,200*	63.6	289.7	35,100													100
105	51.9	276.0	29,100*	58.0	283.9	32,800*	61.4	287.1	32,900													105
110	49.5	271.9	27,900*	55.7	280.6	31,500*	59.2	284.3	30,900													110
115	46.9	267.4	26,700*	53.4	277.1	30,300*	57.0	281.2	29,200	62.6	285.6	25,700										115
120	44.2	262.5	25,600*	51.0	273.2	29,000*	54.7	277.8	27,600	60.4	282.8	24,200										120
125	41.4	257.1	24,600*	48.5	268.9	27,800*	52.3	274.1	26,100	58.2	279.9	22,900										125
130	38.4	251.1	23,600*	45.8	264.3	26,600	49.8	270.0	24,700	55.9	276.6	21,700										130
135	35.2	244.4	22,600*	43.1	259.2	25,300	47.3	265.6	23,500	53.6	273.1	20,500										135
140	31.8	236.9	21,700*	40.2	253.6	24,000	44.6	260.8	22,300	51.2	269.3	19,500										140
145	27.9	228.2	20,900*	37.2	247.4	22,900	41.8	255.5	21,300	48.7	265.1	18,500	57.1	274.1	16,800							145
150	23.5	217.8	20,100*	33.9	240.4	21,800	38.9	249.6	20,300	46.1	260.5	17,700	52.4	267.1	15,100							150
155	18.2	204.7	19,400*	30.3	232.4	20,800	35.7	243.0	19,300	43.4	255.4	16,800	49.9	263.0	14,400							155
160	10.4	185.1	18,900*	26.3	223.1	19,900	32.3	235.6	18,500	40.5	249.9	16,000	47.4	258.6	13,700							160
165				21.6	211.8	19,000	28.6	227.1	17,600	37.5	243.7	15,300	44.7	253.8	13,000	50.9	259.5	10,800				165
170				15.6	197.0	18,200	24.3	217.1	16,900	34.2	236.8	14,600	41.9	248.5	12,400	48.4	255.3	10,200				170
175				4.7	169.1	17,400	19.1	204.5	16,100	30.7	228.9	14,000	39.0	242.6	11,800	45.8	250.6	9,700				175
180							12.0	186.5	15,400	26.7	219.8	13,300	35.9	236.1	11,300	43.1	245.5	9,200				180
185										22.1	208.7	12,800	32.4	228.7	10,700	40.2	239.9	8,800	46.6	245.8	6,900	185
190										16.3	194.4	12,200	28.7	220.3	10,300	37.1	233.6	8,300	43.9	240.9	6,500	190
195										6.6	169.6	11,600	24.4	210.3	9,800	33.9	226.6	7,900	41.1	235.4	6,100	195
200													19.3	197.8	9,300	30.3	218.6	7,500	38.1	229.4	5,800	200
205													12.3	180.1	8,900	26.2	209.3	7,200	34.9	222.6	5,500	205
210																21.5	198.0	6,800	31.4	215.0	5,200	210
215																15.5	183.1	6,400	27.5	206.1	4,900	215
220																4.3	154.4	6,100	23.0	195.5	4,600	220
225																			17.5	182.0	4,300	225
230																			9.2	160.9	4,000	230

S/N: 8885093

MANITOWOC ENGINEERING CO.

Division of the Manitowoc Company, Inc. Manitowoc, Wisconsin 54220



LIFTCRANE LUFFING JIB CAPACITIES

DESIGNED AND TESTED
WITH THE INTENT TO BE
THE SCOPE OF ANSI B30.5

888 SERIES 1

LUFFING JIB NO. 135 ON BOOM NO. 22EL
144,100 LB. COUNTERWEIGHT
28'2" CRAWLERS EXTENDED
360 DEGREE RATING

150 FT. BOOM, 160 FT. JIB

JIB OPER. RAD. FEET	88 DEGREE BOOM ANGLE			83 DEGREE BOOM ANGLE			80 DEGREE BOOM ANGLE			75 DEGREE BOOM ANGLE			70 DEGREE BOOM ANGLE			65 DEGREE BOOM ANGLE			60 DEGREE BOOM ANGLE			JIB OPER. RAD. FEET
	JIB ANG. DEG.	JIB POINT ELEV. FEET	LUFFING JIB CAPACITY POUNDS	JIB ANG. DEG.	JIB POINT ELEV. FEET	LUFFING JIB CAPACITY POUNDS	JIB ANG. DEG.	JIB POINT ELEV. FEET	LUFFING JIB CAPACITY POUNDS	JIB ANG. DEG.	JIB POINT ELEV. FEET	LUFFING JIB CAPACITY POUNDS	JIB ANG. DEG.	JIB POINT ELEV. FEET	LUFFING JIB CAPACITY POUNDS	JIB ANG. DEG.	JIB POINT ELEV. FEET	LUFFING JIB CAPACITY POUNDS	JIB ANG. DEG.	JIB POINT ELEV. FEET	LUFFING JIB CAPACITY POUNDS	
55	74.6	312.1	39,900*																			55
60	72.7	310.7	38,400*																			60
65	70.8	309.0	36,900*																			65
70	68.9	307.2	35,400*																			70
75	67.0	305.2	34,000*																			75
80	65.0	303.0	32,600*	70.1	307.1	36,400*																80
85	63.0	300.5	31,200*	68.2	305.2	35,000*																85
90	61.0	297.9	29,900*	66.2	303.1	33,700*																90
95	59.0	295.0	28,600*	64.3	300.8	32,400*	67.3	303.0	34,200*													95
100	56.8	291.8	27,300*	62.3	298.3	31,000*	65.3	300.8	32,900*													100
105	54.7	288.4	26,100*	60.2	295.5	29,700*	63.4	298.4	31,700*													105
110	52.4	284.7	25,000*	58.1	292.6	28,500*	61.3	295.8	30,400*													110
115	50.2	280.7	23,800*	56.0	289.3	27,200*	59.3	292.9	28,800													115
120	47.8	276.4	22,800*	53.8	285.8	26,000*	57.2	289.8	27,200	62.4	294.2	23,800										120
125	45.3	271.7	21,700*	51.6	282.0	24,900*	55.0	286.5	25,700	60.4	291.5	22,500										125
130	42.7	266.5	20,700*	49.2	277.8	23,700*	52.8	282.8	24,400	58.3	288.5	21,300										130
135	40.0	260.8	19,800*	46.8	273.4	22,700*	50.5	278.9	23,200	56.2	285.3	20,200										135
140	37.2	254.5	18,900*	44.3	268.4	21,600*	48.2	274.6	22,000	54.0	281.8	19,100										140
145	34.1	247.6	18,000*	41.7	263.1	20,700*	45.7	269.9	20,900	51.8	278.1	18,200										145
150	30.7	239.7	17,200*	38.9	257.2	19,700*	43.1	264.8	20,000	49.5	274.0	17,300	57.2	282.8	15,500							150
155	27.0	230.6	16,500*	36.0	250.7	18,800*	40.5	259.2	19,000	47.1	269.5	16,500	52.9	275.8	14,000							155
160	22.8	219.9	15,800*	32.8	243.4	18,000*	37.6	253.1	18,200	44.6	264.6	15,700	50.6	271.9	13,300							160
165	17.6	206.3	15,100*	29.3	235.1	17,200*	34.6	246.2	17,300	41.9	259.3	15,000	48.2	267.6	12,600							165
170	10.1	186.0	14,600*	25.4	225.4	16,400*	31.3	238.5	16,600	39.2	253.5	14,300	45.8	262.9	12,000	51.5	268.3	9,800				170
175				20.9	213.7	15,700*	27.6	229.6	15,900	36.3	247.0	13,600	43.2	257.8	11,400	49.2	264.2	9,300				175
180				15.1	198.3	15,100*	23.5	219.2	15,200	33.1	239.8	13,000	40.5	252.3	10,900	46.8	259.7	8,800				180
185				4.6	169.5	14,600*	18.5	206.2	14,500	29.7	231.6	12,500	37.7	246.1	10,400	44.3	254.8	8,400				185
190							11.6	187.5	13,900	25.8	222.1	11,900	34.7	239.3	9,900	41.6	249.4	8,000	47.5	254.9	6,100	190
195										21.4	210.7	11,400	31.4	231.6	9,400	38.9	243.5	7,600	45.0	250.1	5,700	195
200										15.7	195.8	10,900	27.8	222.8	9,000	35.9	236.9	7,200	42.5	244.8	5,400	200
205										6.4	170.2	10,300	23.6	212.4	8,600	32.7	229.6	6,800	39.7	239.1	5,100	205
210													18.7	199.5	8,200	29.3	221.3	6,500	36.8	232.8	4,800	210
215													11.9	181.1	7,800	25.4	211.6	6,100	33.7	225.7	4,500	215
220																20.8	199.9	5,800	30.4	217.7	4,200	220
225																15.0	184.4	5,500				225
230																4.2	154.8	5,100				230

S/N: 8885093

MANITOWOC ENGINEERING CO.

Division of the Manitowoc Company, Inc. Manitowoc, Wisconsin 54220



LIFTCRANE LUFFING JIB CAPACITIES

DESIGNED AND TESTED
WITH THE INTENT TO BE
THE SCOPE OF ANSI B30.5

888 SERIES 1

LUFFING JIB NO. 135 ON BOOM NO. 22EL
144,100 LB. COUNTERWEIGHT
28'2" CRAWLERS EXTENDED
360 DEGREE RATING

150 FT. BOOM, 170 FT. JIB

JIB OPER. RAD. FEET	88 DEGREE BOOM ANGLE			83 DEGREE BOOM ANGLE			80 DEGREE BOOM ANGLE			75 DEGREE BOOM ANGLE			70 DEGREE BOOM ANGLE			65 DEGREE BOOM ANGLE			60 DEGREE BOOM ANGLE			JIB OPER. RAD. FEET
	JIB ANG. DEG.	JIB POINT ELEV. FEET	LUFFING JIB CAPACITY POUNDS	JIB ANG. DEG.	JIB POINT ELEV. FEET	LUFFING JIB CAPACITY POUNDS	JIB ANG. DEG.	JIB POINT ELEV. FEET	LUFFING JIB CAPACITY POUNDS	JIB ANG. DEG.	JIB POINT ELEV. FEET	LUFFING JIB CAPACITY POUNDS	JIB ANG. DEG.	JIB POINT ELEV. FEET	LUFFING JIB CAPACITY POUNDS	JIB ANG. DEG.	JIB POINT ELEV. FEET	LUFFING JIB CAPACITY POUNDS	JIB ANG. DEG.	JIB POINT ELEV. FEET	LUFFING JIB CAPACITY POUNDS	
55	75.5	322.5	36,800*																			55
60	73.8	321.1	35,400*																			60
65	72.0	319.6	34,100*																			65
70	70.2	317.9	32,700*																			70
75	68.4	316.0	31,300*																			75
80	66.6	313.9	30,000*																			80
85	64.8	311.7	28,700*	69.5	315.9	32,200*																85
90	62.9	309.2	27,400*	67.7	314.0	30,900*																90
95	61.0	306.5	26,200*	65.9	311.8	29,700*																95
100	59.0	303.6	25,000*	64.0	309.5	28,400*	66.9	311.8	30,200*													100
105	57.0	300.5	23,800*	62.1	306.9	27,200*	65.0	309.5	29,000*													105
110	55.0	297.1	22,700*	60.2	304.2	26,000*	63.2	307.1	27,800*													110
115	52.9	293.5	21,600*	58.2	301.2	24,800*	61.3	304.5	26,600*													115
120	50.8	289.6	20,600*	56.2	298.0	23,700*	59.3	301.6	25,500*													120
125	48.6	285.3	19,600*	54.2	294.5	22,600*	57.3	298.5	24,300*	62.3	302.9	22,200										125
130	46.3	280.7	18,600*	52.1	290.8	21,500*	55.3	295.2	23,200*	60.4	300.2	21,000										130
135	43.9	275.8	17,700*	49.9	286.7	20,400*	53.2	291.6	22,100*	58.4	297.2	19,900										135
140	41.4	270.3	16,800*	47.7	282.3	19,400*	51.1	287.7	21,100*	56.4	294.0	18,900										140
145	38.8	264.4	16,000*	45.3	277.6	18,500*	48.9	283.5	20,100*	54.4	290.6	17,900										145
150	36.0	257.8	15,200*	42.9	272.4	17,600*	46.6	279.0	19,100*	52.3	286.8	17,000	57.4	291.5	14,400							150
155	33.0	250.6	14,400*	40.4	266.8	16,700*	44.3	274.1	18,200*	50.1	282.8	16,200	55.4	288.2	13,700							155
160	29.8	242.4	13,700*	37.7	260.7	15,900*	41.8	268.7	17,300*	47.9	278.5	15,400	53.3	284.6	13,000							160
165	26.2	233.0	13,000*	34.9	253.9	15,100*	39.2	262.8	16,400*	45.6	273.8	14,700	51.2	280.7	12,400							165
170	22.1	221.8	12,200*	31.8	246.3	14,300*	36.5	256.4	15,600*	43.2	268.7	14,000	49.0	276.5	11,700							170
175	17.1	207.8	11,400*	28.4	237.6	13,600*	33.5	249.3	14,800*	40.6	263.1	13,400	46.7	272.0	11,200	52.0	277.1	9,000				175
180	9.8	186.9	10,700*	24.7	227.6	12,800*	30.3	241.2	14,100*	38.0	257.0	12,800	44.3	267.1	10,600	49.9	273.0	8,600				180
185				20.3	215.5	11,900*	26.8	232.1	13,400*	35.1	250.2	12,200	41.9	261.7	10,100	47.6	268.7	8,100				185
190				14.6	199.6	11,200*	22.8	221.2	12,500*	32.1	242.7	11,700	39.3	255.9	9,700	45.3	263.9	7,700				190
195				4.5	169.9	10,500*	17.9	207.8	11,600*	28.8	234.2	11,200	36.5	249.5	9,200	42.9	258.7	7,300				195
200							11.2	188.5	10,900*	25.1	224.4	10,700	33.6	242.4	8,800	40.3	253.1	6,900	46.0	259.2	5,100	200
205										20.7	212.5	10,200	30.4	234.4	8,400	37.7	246.9	6,500	43.6	254.1	4,800	205
210										15.3	197.1	9,700	26.9	225.2	8,000	34.8	240.1	6,200	41.1	248.7	4,500	210
215										6.2	170.8	9,300	22.9	214.4	7,600	31.7	232.5	5,900	38.5	242.7	4,200	215
220													18.1	201.1	7,200	28.4	223.9	5,500				220
225													11.5	182.2	6,800	24.6	213.8	5,200				225
230																20.2	201.7	4,900				230
235																14.5	185.7	4,600				235
240																4.1	155.2	4,300				240

S/N: 8885093

MANITOWOC ENGINEERING CO.

Division of the Manitowoc Company, Inc. Manitowoc, Wisconsin 54220



LIFTCRANE LUFFING JIB CAPACITIES

DESIGNED AND TESTED
WITH THE INTENT TO BE
THE SCOPE OF ANSI B30.5

888 SERIES 1

**LUFFING JIB NO. 135 ON BOOM NO. 22EL
144,100 LB. COUNTERWEIGHT
28'2" CRAWLERS EXTENDED
360 DEGREE RATING**

160 FT. BOOM, 70 FT. JIB

JIB OPER. RAD. FEET	88 DEGREE BOOM ANGLE			83 DEGREE BOOM ANGLE			80 DEGREE BOOM ANGLE			75 DEGREE BOOM ANGLE			70 DEGREE BOOM ANGLE			65 DEGREE BOOM ANGLE			60 DEGREE BOOM ANGLE			JIB OPER. RAD. FEET
	JIB ANG. DEG.	JIB POINT ELEV. FEET	LUFFING JIB CAPACITY POUNDS	JIB ANG. DEG.	JIB POINT ELEV. FEET	LUFFING JIB CAPACITY POUNDS	JIB ANG. DEG.	JIB POINT ELEV. FEET	LUFFING JIB CAPACITY POUNDS	JIB ANG. DEG.	JIB POINT ELEV. FEET	LUFFING JIB CAPACITY POUNDS	JIB ANG. DEG.	JIB POINT ELEV. FEET	LUFFING JIB CAPACITY POUNDS	JIB ANG. DEG.	JIB POINT ELEV. FEET	LUFFING JIB CAPACITY POUNDS	JIB ANG. DEG.	JIB POINT ELEV. FEET	LUFFING JIB CAPACITY POUNDS	
50	57.9	227.2	89,900 ^b																			50
55	53.0	223.8	86,600 ^b																			55
60	47.6	219.6	81,400	61.6	228.2	74,000 ^b																60
65	41.8	214.6	73,600	56.9	225.2	66,800 ^b																65
70	35.2	208.3	67,000	51.8	221.6	60,900 ^b	60.0	225.9	57,100 ^b													70
75	27.4	200.1	61,400	46.4	217.3	55,800	55.1	222.7	52,400 ^b													75
80	16.4	187.6	53,800 [*]	40.5	212.0	51,400	50.0	218.9	48,300 ^b													80
85				33.7	205.4	47,600	44.4	214.2	44,700	58.7	221.8	39,900 ^b										85
90				25.3	196.6	44,300	38.2	208.5	41,600	53.7	218.5	37,100 ^b										90
95				12.8	182.1	41,300	31.0	201.3	38,800	48.5	214.4	34,600										95
100							21.8	191.2	36,300	42.7	209.5	32,400	57.0	216.3	28,400 ^b							100
105										36.3	203.5	30,400	51.9	212.8	26,700 ^b							105
110										28.7	195.6	28,600	46.5	208.4	25,100							110
115										18.4	184.1	26,900	40.6	203.2	23,600							115
120													33.8	196.6	22,300	49.6	205.5	19,200				120
125													25.5	187.8	21,000	44.0	200.8	18,100				125
130													13.2	173.6	19,900	37.8	195.0	17,100				130
135																30.5	187.6	16,200	46.7	196.4	13,600	135
140																21.0	177.2	15,300	40.7	191.2	12,900	140
145																			34.0	184.6	12,200	145
150																			25.7	175.9	11,500	150
155																			13.6	161.9	10,800	155

S/N: 8885093

MANITOWOC ENGINEERING CO.

Division of the Manitowoc Company, Inc. Manitowoc, Wisconsin 54220



LIFTCRANE LUFFING JIB CAPACITIES

DESIGNED AND TESTED
WITH THE INTENT TO BE
THE SCOPE OF ANSI B30.5

888 SERIES 1

LUFFING JIB NO. 135 ON BOOM NO. 22EL
144,100 LB. COUNTERWEIGHT
28'2" CRAWLERS EXTENDED
360 DEGREE RATING

160 FT. BOOM, 80 FT. JIB

JIB OPER. RAD. FEET	88 DEGREE BOOM ANGLE			83 DEGREE BOOM ANGLE			80 DEGREE BOOM ANGLE			75 DEGREE BOOM ANGLE			70 DEGREE BOOM ANGLE			65 DEGREE BOOM ANGLE			60 DEGREE BOOM ANGLE			JIB OPER. RAD. FEET	
	JIB ANG. DEG.	JIB POINT ELEV. FEET	LUFFING JIB CAPACITY POUNDS	JIB ANG. DEG.	JIB POINT ELEV. FEET	LUFFING JIB CAPACITY POUNDS	JIB ANG. DEG.	JIB POINT ELEV. FEET	LUFFING JIB CAPACITY POUNDS	JIB ANG. DEG.	JIB POINT ELEV. FEET	LUFFING JIB CAPACITY POUNDS	JIB ANG. DEG.	JIB POINT ELEV. FEET	LUFFING JIB CAPACITY POUNDS	JIB ANG. DEG.	JIB POINT ELEV. FEET	LUFFING JIB CAPACITY POUNDS	JIB ANG. DEG.	JIB POINT ELEV. FEET	LUFFING JIB CAPACITY POUNDS		
45	66.3	241.1	86,300* ^b																			45	
50	62.3	238.7	83,300* ^b																			50	
55	58.2	235.9	80,100* ^b																			55	
60	53.9	232.5	77,100* ^b	65.4	239.4	73,600 ^b																60	
65	49.3	228.5	73,400	61.4	236.9	66,500 ^b																65	
70	44.4	223.9	66,800	57.3	233.9	60,500 ^b	64.1	237.2	56,800 ^b													70	
75	39.0	218.2	61,300	52.9	230.4	55,500	60.0	234.5	52,000 ^b													75	
80	32.9	211.4	56,500	48.3	226.3	51,200	55.8	231.4	47,900 ^b													80	
85	25.6	202.4	52,300	43.3	221.4	47,400	51.3	227.7	44,400	62.9	233.3	39,400 ^b										85	
90	15.3	189.0	47,200*	37.7	215.6	44,100	46.6	223.3	41,300	58.8	230.5	36,700 ^b										90	
95				31.4	208.3	41,200	41.4	218.2	38,500	54.5	227.2	34,200										95	
100				23.7	198.7	38,500	35.7	211.9	36,100	50.0	223.3	32,000										100	
105				11.9	183.2	36,100	29.0	204.0	33,900	45.2	218.8	30,000	57.3	225.0	26,200 ^b								105
110							20.4	193.1	31,900	39.9	213.3	28,300	53.0	221.5	24,700								110
115										33.9	206.6	26,600	48.4	217.4	23,200								115
120										26.8	198.1	25,100	43.4	212.6	21,900								120
125										17.2	185.7	23,700	37.9	206.7	20,700	51.0	214.3	17,700					125
130													31.6	199.5	19,600	46.2	209.9	16,700					130
135													23.9	190.0	18,600	41.0	204.7	15,800					135
140													12.3	174.7	17,500	35.2	198.3	15,000					140
145																28.4	190.2	14,200	43.5	200.6	11,800	145	
150																19.6	179.0	13,400	38.0	194.7	11,100	150	
155																			31.7	187.6	10,500	155	
160																			24.1	178.1	10,000	160	
165																			12.7	163.1	9,400	165	

S/N: 8885093

MANITOWOC ENGINEERING CO.

Division of the Manitowoc Company, Inc. Manitowoc, Wisconsin 54220



LIFTCRANE LUFFING JIB CAPACITIES

DESIGNED AND TESTED
WITH THE INTENT TO BE
THE SCOPE OF ANSI B30.5

888 SERIES 1

**LUFFING JIB NO. 135 ON BOOM NO. 22EL
144,100 LB. COUNTERWEIGHT
28'2" CRAWLERS EXTENDED
360 DEGREE RATING**

160 FT. BOOM, 90 FT. JIB

JIB OPER. RAD. FEET	88 DEGREE BOOM ANGLE			83 DEGREE BOOM ANGLE			80 DEGREE BOOM ANGLE			75 DEGREE BOOM ANGLE			70 DEGREE BOOM ANGLE			65 DEGREE BOOM ANGLE			60 DEGREE BOOM ANGLE			JIB OPER. RAD. FEET
	JIB ANG. DEG.	JIB POINT ELEV. FEET	LUFFING JIB CAPACITY POUNDS	JIB ANG. DEG.	JIB POINT ELEV. FEET	LUFFING JIB CAPACITY POUNDS	JIB ANG. DEG.	JIB POINT ELEV. FEET	LUFFING JIB CAPACITY POUNDS	JIB ANG. DEG.	JIB POINT ELEV. FEET	LUFFING JIB CAPACITY POUNDS	JIB ANG. DEG.	JIB POINT ELEV. FEET	LUFFING JIB CAPACITY POUNDS	JIB ANG. DEG.	JIB POINT ELEV. FEET	LUFFING JIB CAPACITY POUNDS	JIB ANG. DEG.	JIB POINT ELEV. FEET	LUFFING JIB CAPACITY POUNDS	
45	69.1	251.9	78,400*b																			45
50	65.6	249.9	75,400*b																			50
55	62.1	247.4	72,500*b																			55
60	58.4	244.5	69,800*	68.3	250.2	73,400b																60
65	54.6	241.2	67,200*	64.8	248.1	66,300b																65
70	50.6	237.4	64,900*	61.3	245.5	60,300b	67.1	248.2	56,500b													70
75	46.3	233.0	61,200	57.6	242.6	55,300	63.6	245.9	51,800b													75
80	41.7	227.8	56,400	53.7	239.1	51,000	60.0	243.2	47,700													80
85	36.7	221.7	52,300	49.7	235.2	47,200	56.3	240.1	44,200													85
90	31.0	214.2	48,700	45.3	230.6	43,900	52.3	236.5	41,100	62.6	241.9	36,400b										90
95	24.1	204.6	45,400	40.7	225.2	41,000	48.2	232.3	38,400	59.0	239.1	33,900										95
100	14.4	190.3	42,000*	35.5	218.9	38,400	43.8	227.5	35,900	55.2	235.9	31,800										100
105				29.6	211.0	36,100	38.9	221.8	33,700	51.2	232.2	29,800										105
110				22.3	200.8	34,000	33.6	215.0	31,800	47.0	227.8	28,100	57.6	233.7	24,400							110
115				11.3	184.2	32,000	27.3	206.5	30,000	42.4	222.8	26,400	53.8	230.3	23,000							115
120							19.2	194.8	28,300	37.5	216.8	25,000	49.7	226.3	21,700							120
125										31.9	209.6	23,600	45.4	221.8	20,500							125
130										25.2	200.4	22,400	40.8	216.4	19,400	52.1	223.1	16,500				130
135										16.2	187.2	21,200	35.6	210.1	18,400	47.9	218.9	15,600				135
140													29.7	202.3	17,400	43.4	214.0	14,800				140
145													22.5	192.1	16,600	38.6	208.3	14,000				145
150													11.6	175.7	15,700	33.2	201.4	13,300	45.5	209.7	10,900	150
155																26.8	192.7	12,600	40.9	204.4	10,300	155
160																18.5	180.7	11,900	35.7	198.1	9,700	160
165																			29.9	190.3	9,200	165
170																			22.7	180.2	8,700	170
175																			11.9	164.1	8,200	175

S/N: 8885093

MANITOWOC ENGINEERING CO.

Division of the Manitowoc Company, Inc. Manitowoc, Wisconsin 54220



LIFTCRANE LUFFING JIB CAPACITIES

DESIGNED AND TESTED
WITH THE INTENT TO BE
THE SCOPE OF ANSI B30.5

888 SERIES 1

**LUFFING JIB NO. 135 ON BOOM NO. 22EL
144,100 LB. COUNTERWEIGHT
28'2" CRAWLERS EXTENDED
360 DEGREE RATING**

160 FT. BOOM, 100 FT. JIB

JIB OPER. RAD. FEET	88 DEGREE BOOM ANGLE			83 DEGREE BOOM ANGLE			80 DEGREE BOOM ANGLE			75 DEGREE BOOM ANGLE			70 DEGREE BOOM ANGLE			65 DEGREE BOOM ANGLE			60 DEGREE BOOM ANGLE			JIB OPER. RAD. FEET	
	JIB ANG. DEG.	JIB POINT ELEV. FEET	LUFFING JIB CAPACITY POUNDS	JIB ANG. DEG.	JIB POINT ELEV. FEET	LUFFING JIB CAPACITY POUNDS	JIB ANG. DEG.	JIB POINT ELEV. FEET	LUFFING JIB CAPACITY POUNDS	JIB ANG. DEG.	JIB POINT ELEV. FEET	LUFFING JIB CAPACITY POUNDS	JIB ANG. DEG.	JIB POINT ELEV. FEET	LUFFING JIB CAPACITY POUNDS	JIB ANG. DEG.	JIB POINT ELEV. FEET	LUFFING JIB CAPACITY POUNDS	JIB ANG. DEG.	JIB POINT ELEV. FEET	LUFFING JIB CAPACITY POUNDS		
45	71.2	262.6	72,600* ^b																			45	
50	68.2	260.7	70,300* ^b																			50	
55	65.1	258.6	67,500* ^b																			55	
60	61.9	256.1	64,800*	70.6	260.9	73,000 ^b																60	
65	58.6	253.2	62,300*	67.5	259.0	65,900 ^b																65	
70	55.1	249.9	59,900*	64.4	256.8	60,000																70	
75	51.6	246.2	57,700*	61.1	254.2	55,000	66.4	256.9	51,400 ^b													75	
80	47.8	242.0	55,700*	57.8	251.2	50,700	63.3	254.6	47,300													80	
85	43.8	237.1	52,100	54.4	247.9	46,900	60.0	251.8	43,800													85	
90	39.5	231.5	48,500	50.8	244.0	43,600	56.6	248.8	40,700													90	
95	34.7	224.9	45,300	46.9	239.7	40,700	53.1	245.2	38,000	62.3	250.6	33,500										95	
100	29.3	216.9	42,400	42.9	234.7	38,200	49.5	241.2	35,600	59.1	247.8	31,400										100	
105	22.8	206.7	39,800	38.5	228.8	35,800	45.6	236.7	33,400	55.7	244.6	29,400										105	
110	13.7	191.5	37,400*	33.6	222.0	33,700	41.4	231.4	31,500	52.1	241.0	27,700										110	
115				28.0	213.6	31,800	36.9	225.2	29,700	48.4	236.8	26,100	57.9	242.3	22,500								115
120				21.1	202.7	30,100	31.8	217.9	28,000	44.4	232.0	24,600	54.4	239.0	21,300								120
125				10.7	185.1	28,400	25.8	208.8	26,500	40.2	226.5	23,300	50.8	235.2	20,100								125
130							18.2	196.5	25,100	35.5	220.1	22,100	47.0	230.8	19,000								130
135										30.2	212.4	20,900	43.0	225.8	18,000	52.9	231.9	15,100					135
140										23.9	202.6	19,900	38.6	220.0	17,100	49.2	227.8	14,300					140
145										15.4	188.6	18,900	33.7	213.2	16,200	45.3	223.2	13,600					145
150													28.2	204.8	15,400	41.1	217.9	12,900					150
155													21.3	194.0	14,600	36.5	211.7	12,200	47.1	218.8	9,800		155
160													11.0	176.7	13,900	31.4	204.3	11,600	43.1	213.8	9,300		160
165																25.4	195.0	11,000	38.7	208.0	8,800		165
170																17.6	182.3	10,400	33.8	201.2	8,300		170
175																			28.3	192.9	7,900		175
180																			21.5	182.1	7,500		180
185																			11.3	165.2	7,000		185

S/N: 8885093

MANITOWOC ENGINEERING CO.

Division of the Manitowoc Company, Inc. Manitowoc, Wisconsin 54220



LIFTCRANE LUFFING JIB CAPACITIES

DESIGNED AND TESTED
WITH THE INTENT TO BE
THE SCOPE OF ANSI B30.5

888 SERIES 1

**LUFFING JIB NO. 135 ON BOOM NO. 22EL
144,100 LB. COUNTERWEIGHT
28'2" CRAWLERS EXTENDED
360 DEGREE RATING**

160 FT. BOOM, 110 FT. JIB

JIB OPER. RAD. FEET	88 DEGREE BOOM ANGLE			83 DEGREE BOOM ANGLE			80 DEGREE BOOM ANGLE			75 DEGREE BOOM ANGLE			70 DEGREE BOOM ANGLE			65 DEGREE BOOM ANGLE			60 DEGREE BOOM ANGLE			JIB OPER. RAD. FEET
	JIB ANG. DEG.	JIB POINT ELEV. FEET	LUFFING JIB CAPACITY POUNDS	JIB ANG. DEG.	JIB POINT ELEV. FEET	LUFFING JIB CAPACITY POUNDS	JIB ANG. DEG.	JIB POINT ELEV. FEET	LUFFING JIB CAPACITY POUNDS	JIB ANG. DEG.	JIB POINT ELEV. FEET	LUFFING JIB CAPACITY POUNDS	JIB ANG. DEG.	JIB POINT ELEV. FEET	LUFFING JIB CAPACITY POUNDS	JIB ANG. DEG.	JIB POINT ELEV. FEET	LUFFING JIB CAPACITY POUNDS	JIB ANG. DEG.	JIB POINT ELEV. FEET	LUFFING JIB CAPACITY POUNDS	
45	73.0	273.1	67,200* ^b																			45
50	70.3	271.4	65,700* ^b																			50
55	67.5	269.5	63,500*																			55
60	64.6	267.3	61,500*																			60
65	61.7	264.7	59,400*	69.6	269.7	65,800 ^b																65
70	58.7	261.9	57,500*	66.8	267.7	59,900																70
75	55.6	258.6	55,500*	64.0	265.4	54,900																75
80	52.4	255.0	53,500*	61.0	262.8	50,600	65.9	265.6	47,300													80
85	49.0	250.9	51,700*	58.0	259.9	46,900	63.0	263.2	43,800													85
90	45.5	246.3	48,400	54.9	256.6	43,600	60.0	260.5	40,700													90
95	41.7	241.0	45,300	51.6	252.9	40,700	56.9	257.4	38,000													95
100	37.6	235.0	42,400	48.2	248.7	38,100	53.8	254.0	35,600	62.1	259.3	31,300										100
105	33.1	227.9	39,900	44.6	243.9	35,800	50.5	250.1	33,400	59.1	256.5	29,400										105
110	28.0	219.5	37,600	40.8	238.5	33,700	47.0	245.7	31,400	56.1	253.3	27,600										110
115	21.8	208.7	35,500	36.6	232.2	31,900	43.3	240.7	29,700	52.9	249.7	26,000										115
120	13.0	192.7	33,500	32.0	224.9	30,100	39.4	235.1	28,100	49.5	245.7	24,600										120
125				26.7	216.0	28,500	35.1	228.5	26,600	46.0	241.2	23,300	55.0	247.7	20,000							125
130				20.1	204.5	27,100	30.3	220.7	25,200	42.3	236.0	22,100	51.7	244.0	19,000							130
135				10.2	186.0	25,700	24.6	211.1	23,900	38.2	230.1	21,000	48.3	239.8	18,000							135
140							17.3	198.0	22,800	33.8	223.2	19,900	44.7	235.0	17,100							140
145										28.8	215.0	18,900	40.9	229.7	16,200	50.2	236.7	13,500				145
150										22.8	204.6	18,000	36.7	223.4	15,400	46.8	232.3	12,900				150
155										14.7	189.9	17,200	32.1	216.1	14,700	43.1	227.3	12,200				155
160													26.8	207.3	14,000	39.1	221.5	11,600				160
165													20.3	195.8	13,300	34.8	214.9	11,000				165
170													10.5	177.7	12,600	29.9	207.0	10,500	44.8	223.0	8,800	170
175																24.2	197.2	10,000	41.0	217.6	8,300	175
180																16.7	183.8	9,500	36.8	211.4	7,900	180
185																			32.2	204.2	7,500	185
190																			27.0	195.4	7,100	190
195																			20.5	184.0	6,700	195
																			10.8	166.1	6,300	195

S/N: 8885093

MANITOWOC ENGINEERING CO.

Division of the Manitowoc Company, Inc. Manitowoc, Wisconsin 54220



LIFTCRANE LUFFING JIB CAPACITIES

DESIGNED AND TESTED
WITH THE INTENT TO BE
THE SCOPE OF ANSI B30.5

888 SERIES 1

LUFFING JIB NO. 135 ON BOOM NO. 22EL
144,100 LB. COUNTERWEIGHT
28'2" CRAWLERS EXTENDED
360 DEGREE RATING

160 FT. BOOM, 120 FT. JIB

JIB OPER. RAD. FEET	88 DEGREE BOOM ANGLE			83 DEGREE BOOM ANGLE			80 DEGREE BOOM ANGLE			75 DEGREE BOOM ANGLE			70 DEGREE BOOM ANGLE			65 DEGREE BOOM ANGLE			60 DEGREE BOOM ANGLE			JIB OPER. RAD. FEET
	JIB ANG. DEG.	JIB POINT ELEV. FEET	LUFFING JIB CAPACITY POUNDS	JIB ANG. DEG.	JIB POINT ELEV. FEET	LUFFING JIB CAPACITY POUNDS	JIB ANG. DEG.	JIB POINT ELEV. FEET	LUFFING JIB CAPACITY POUNDS	JIB ANG. DEG.	JIB POINT ELEV. FEET	LUFFING JIB CAPACITY POUNDS	JIB ANG. DEG.	JIB POINT ELEV. FEET	LUFFING JIB CAPACITY POUNDS	JIB ANG. DEG.	JIB POINT ELEV. FEET	LUFFING JIB CAPACITY POUNDS	JIB ANG. DEG.	JIB POINT ELEV. FEET	LUFFING JIB CAPACITY POUNDS	
45	74.5	283.5	54,700*																			45
50	72.0	282.0	53,700*																			50
55	69.4	280.2	52,700*																			55
60	66.9	278.2	51,800*																			60
65	64.2	276.0	50,900*																			65
70	61.5	273.4	49,100*	68.9	278.5	53,500*																70
75	58.8	270.5	47,400*	66.3	276.5	52,800*																75
80	56.0	267.3	45,600*	63.6	274.1	50,300	68.0	276.5	46,900													80
85	53.0	263.8	44,000*	61.0	271.5	46,500	65.4	274.3	43,400													85
90	50.0	259.8	42,400*	58.2	268.6	43,300	62.7	271.9	40,300													90
95	46.8	255.3	40,900*	55.3	265.3	40,400	60.0	269.2	37,600													95
100	43.4	250.4	39,500*	52.4	261.6	37,800	57.2	266.1	35,200													100
105	39.8	244.7	38,200*	49.3	257.6	35,500	54.3	262.7	33,000	62.0	267.9	29,000										105
110	35.9	238.3	36,700*	46.1	253.0	33,500	51.3	258.9	31,100	59.2	265.1	27,200										110
115	31.6	230.8	34,800*	42.6	247.9	31,600	48.2	254.7	29,300	56.4	262.0	25,700										115
120	26.7	221.9	33,000*	39.0	242.1	29,900	44.9	250.0	27,700	53.5	258.5	24,200										120
125	20.8	210.5	31,500*	35.0	235.5	28,300	41.4	244.6	26,300	50.4	254.6	22,900										125
130	12.5	193.8	30,000	30.6	227.7	26,800	37.7	238.6	24,900	47.3	250.2	21,700	55.4	256.4	18,600							130
135				25.5	218.4	25,500	33.6	231.6	23,700	43.9	245.3	20,600	52.4	252.8	17,600							135
140				19.3	206.2	24,300	29.0	223.3	22,500	40.4	239.8	19,600	49.4	248.7	16,700							140
145				9.7	186.9	23,100	23.6	213.2	21,400	36.5	233.5	18,600	46.1	244.2	15,800							145
150							16.6	199.5	20,400	32.3	226.2	17,700	42.7	239.1	15,000	51.1	245.5	12,400				150
155										27.5	217.5	16,900	39.1	233.3	14,300	48.0	241.3	11,800				155
160										21.8	206.6	16,100	35.1	226.7	13,600	44.7	236.5	11,200				160
165										14.0	191.1	15,300	30.7	218.9	13,000	41.2	231.1	10,600				165
170													25.7	209.6	12,400	37.4	225.0	10,100	46.2	232.1	7,900	170
175													19.4	197.6	11,800	33.3	217.9	9,600	42.8	227.0	7,500	175
180													10.0	178.6	11,200	28.6	209.6	9,100	39.2	221.3	7,100	180
185																23.1	199.3	8,700	35.2	214.7	6,700	185
190																16.0	185.2	8,200	30.8	207.0	6,300	190
195																			25.8	197.7	6,000	195
200																			19.6	185.7	5,600	200
205																			10.3	167.0	5,300	205

S/N: 8885093

MANITOWOC ENGINEERING CO.

Division of the Manitowoc Company, Inc. Manitowoc, Wisconsin 54220



LIFTCRANE LUFFING JIB CAPACITIES

DESIGNED AND TESTED
WITH THE INTENT TO BE
THE SCOPE OF ANSI B30.5

888 SERIES 1

LUFFING JIB NO. 135 ON BOOM NO. 22EL
144,100 LB. COUNTERWEIGHT
28'2" CRAWLERS EXTENDED
360 DEGREE RATING

160 FT. BOOM, 130 FT. JIB

JIB OPER. RAD. FEET	88 DEGREE BOOM ANGLE			83 DEGREE BOOM ANGLE			80 DEGREE BOOM ANGLE			75 DEGREE BOOM ANGLE			70 DEGREE BOOM ANGLE			65 DEGREE BOOM ANGLE			60 DEGREE BOOM ANGLE			JIB OPER. RAD. FEET
	JIB ANG. DEG.	JIB POINT ELEV. FEET	LUFFING JIB CAPACITY POUNDS	JIB ANG. DEG.	JIB POINT ELEV. FEET	LUFFING JIB CAPACITY POUNDS	JIB ANG. DEG.	JIB POINT ELEV. FEET	LUFFING JIB CAPACITY POUNDS	JIB ANG. DEG.	JIB POINT ELEV. FEET	LUFFING JIB CAPACITY POUNDS	JIB ANG. DEG.	JIB POINT ELEV. FEET	LUFFING JIB CAPACITY POUNDS	JIB ANG. DEG.	JIB POINT ELEV. FEET	LUFFING JIB CAPACITY POUNDS	JIB ANG. DEG.	JIB POINT ELEV. FEET	LUFFING JIB CAPACITY POUNDS	
45	75.7	293.9	51,200*																			45
50	73.4	292.5	50,300*																			50
55	71.1	290.9	49,500*																			55
60	68.7	289.0	48,600*																			60
65	66.3	287.0	47,000*																			65
70	63.9	284.6	45,400*	70.6	289.2	49,800*																70
75	61.4	282.1	43,800*	68.2	287.3	48,700*																75
80	58.9	279.2	42,200*	65.8	285.2	47,200*																80
85	56.3	276.0	40,700*	63.4	282.8	45,600*	67.4	285.2	43,100													85
90	53.6	272.5	39,200*	60.9	280.2	43,000	65.0	283.0	40,000													90
95	50.8	268.6	37,800*	58.3	277.2	40,100	62.5	280.6	37,300													95
100	47.9	264.3	36,500*	55.7	274.0	37,600	60.0	277.8	34,900													100
105	44.8	259.6	35,200*	53.0	270.4	35,300	57.4	274.8	32,800													105
110	41.6	254.3	34,000*	50.2	266.4	33,200	54.8	271.4	30,900	61.8	276.6	26,900										110
115	38.2	248.3	32,800*	47.2	262.0	31,400	52.0	267.7	29,100	59.3	273.8	25,400										115
120	34.5	241.5	31,800*	44.2	257.2	29,700	49.2	263.6	27,500	56.7	270.7	23,900										120
125	30.4	233.6	30,400*	40.9	251.7	28,100	46.2	259.1	26,000	54.0	267.2	22,600										125
130	25.7	224.2	29,000*	37.4	245.6	26,700	43.0	254.0	24,700	51.2	263.4	21,400										130
135	20.0	212.3	27,700*	33.6	238.6	25,300	39.7	248.3	23,500	48.3	259.2	20,300	55.8	265.1	17,300							135
140	12.0	194.9	26,800*	29.4	230.4	24,100	36.1	241.9	22,300	45.3	254.5	19,300	53.0	261.5	16,400							140
145				24.5	220.6	23,000	32.2	234.5	21,200	42.1	249.2	18,400	50.2	257.6	15,600							145
150				18.5	207.9	21,900	27.8	225.9	20,200	38.7	243.4	17,500	47.3	253.2	14,800							150
155				9.4	187.8	20,900	22.6	215.2	19,300	35.1	236.7	16,700	44.2	248.3	14,100	51.8	254.3	11,500				155
160							15.9	201.0	18,400	31.0	229.0	15,900	41.0	242.9	13,400	49.0	250.2	10,900				160
165										26.4	219.9	15,200	37.5	236.8	12,700	46.0	245.6	10,400				165
170										20.9	208.5	14,500	33.7	229.8	12,100	42.8	240.5	9,800				170
175										13.5	192.4	13,800	29.5	221.6	11,600	39.5	234.8	9,300	47.4	241.1	7,200	175
180													24.6	211.9	11,000	35.9	228.3	8,900	44.3	236.3	6,800	180
185													18.7	199.3	10,500	31.9	220.9	8,400	41.0	230.9	6,400	185
190													9.6	179.4	10,000	27.5	212.1	8,000	37.6	224.8	6,100	190
195																22.2	201.3	7,600	33.8	217.8	5,700	195
200																15.4	186.6	7,200	29.6	209.7	5,400	200
205																			24.8	199.9	5,100	205
210																			18.8	187.4	4,800	210
215																			9.9	167.9	4,400	215

S/N: 8885093

MANITOWOC ENGINEERING CO.

Division of the Manitowoc Company, Inc. Manitowoc, Wisconsin 54220



LIFTCRANE LUFFING JIB CAPACITIES

DESIGNED AND TESTED
WITH THE INTENT TO BE
THE SCOPE OF ANSI B30.5

888 SERIES 1

LUFFING JIB NO. 135 ON BOOM NO. 22EL
144,100 LB. COUNTERWEIGHT
28'2" CRAWLERS EXTENDED
360 DEGREE RATING

160 FT. BOOM, 140 FT. JIB

JIB OPER. RAD. FEET	88 DEGREE BOOM ANGLE			83 DEGREE BOOM ANGLE			80 DEGREE BOOM ANGLE			75 DEGREE BOOM ANGLE			70 DEGREE BOOM ANGLE			65 DEGREE BOOM ANGLE			60 DEGREE BOOM ANGLE			JIB OPER. RAD. FEET
	JIB ANG. DEG.	JIB POINT ELEV. FEET	LUFFING JIB CAPACITY POUNDS	JIB ANG. DEG.	JIB POINT ELEV. FEET	LUFFING JIB CAPACITY POUNDS	JIB ANG. DEG.	JIB POINT ELEV. FEET	LUFFING JIB CAPACITY POUNDS	JIB ANG. DEG.	JIB POINT ELEV. FEET	LUFFING JIB CAPACITY POUNDS	JIB ANG. DEG.	JIB POINT ELEV. FEET	LUFFING JIB CAPACITY POUNDS	JIB ANG. DEG.	JIB POINT ELEV. FEET	LUFFING JIB CAPACITY POUNDS	JIB ANG. DEG.	JIB POINT ELEV. FEET	LUFFING JIB CAPACITY POUNDS	
50	74.6	302.9	46,900*																			50
55	72.5	301.4	46,200*																			55
60	70.3	299.7	44,900*																			60
65	68.1	297.8	43,300*																			65
70	65.9	295.7	41,700*																			70
75	63.6	293.3	40,200*	69.8	298.0	44,700*																75
80	61.3	290.7	38,700*	67.6	296.1	43,300*																80
85	59.0	287.9	37,200*	65.4	293.9	41,800*																85
90	56.6	284.7	35,800*	63.1	291.5	40,400*	66.9	294.0	39,700													90
95	54.1	281.2	34,500*	60.8	288.8	38,900*	64.6	291.7	37,000													95
100	51.5	277.4	33,200*	58.4	285.9	37,300	62.3	289.2	34,600													100
105	48.8	273.3	31,900*	56.0	282.7	35,000	60.0	286.5	32,400													105
110	46.0	268.7	30,700*	53.5	279.1	32,900	57.6	283.5	30,500													110
115	43.1	263.6	29,500*	50.9	275.3	31,000	55.1	280.1	28,800	61.7	285.3	25,000										115
120	40.1	258.0	28,400*	48.2	271.0	29,300	52.6	276.5	27,200	59.3	282.5	23,600										120
125	36.8	251.7	27,400*	45.4	266.3	27,800	50.0	272.5	25,700	56.9	279.3	22,300										125
130	33.2	244.5	26,400*	42.5	261.1	26,400	47.3	268.1	24,400	54.4	275.9	21,100										130
135	29.2	236.3	25,400*	39.3	255.4	25,100	44.4	263.2	23,100	51.9	272.2	20,000										135
140	24.7	226.4	24,600*	36.0	248.9	23,800	41.4	257.8	22,000	49.2	268.1	19,000										140
145	19.3	214.1	23,900*	32.4	241.5	22,700	38.2	251.8	20,900	46.5	263.5	18,000	56.1	273.8	16,000							145
150	11.5	195.9	23,300*	28.3	233.0	21,600	34.8	245.1	19,900	43.6	258.5	17,100	51.0	266.4	14,400							150
155				23.6	222.7	20,700	31.0	237.4	19,000	40.5	253.0	16,300	48.3	262.2	13,700							155
160				17.8	209.5	19,700	26.8	228.3	18,200	37.3	246.8	15,600	45.5	257.5	13,000	52.4	263.1	10,500				160
165				9.0	188.6	18,800	21.8	217.2	17,300	33.7	239.8	14,800	42.5	252.3	12,400	49.8	259.1	9,900				165
170							15.4	202.3	16,600	29.9	231.7	14,200	39.4	246.5	11,800	47.1	254.6	9,400				170
175										25.4	222.2	13,500	36.1	240.1	11,200	44.2	249.8	8,900				175
180										20.2	210.3	12,900	32.4	232.7	10,700	41.2	244.3	8,500				180
185										13.0	193.5	12,300	28.4	224.2	10,200	38.0	238.3	8,000	45.5	245.4	6,000	185
190													23.7	214.0	9,700	34.5	231.5	7,600	42.6	240.3	5,600	190
195													18.0	200.9	9,200	30.7	223.7	7,200	39.5	234.5	5,300	195
200													9.3	180.3	8,700	26.5	214.5	6,900	36.1	228.1	5,000	200
205																21.4	203.2	6,500	32.5	220.8	4,700	205
210																14.8	187.9	6,100	28.5	212.3	4,400	210
215																			23.8	202.1	4,100	215

S/N: 8885093

MANITOWOC ENGINEERING CO.

Division of the Manitowoc Company, Inc. Manitowoc, Wisconsin 54220



LIFTCRANE LUFFING JIB CAPACITIES

DESIGNED AND TESTED
WITH THE INTENT TO BE
THE SCOPE OF ANSI B30.5

888 SERIES 1

LUFFING JIB NO. 135 ON BOOM NO. 22EL
144,100 LB. COUNTERWEIGHT
28'2" CRAWLERS EXTENDED
360 DEGREE RATING

160 FT. BOOM, 150 FT. JIB

JIB OPER. RAD. FEET	88 DEGREE BOOM ANGLE			83 DEGREE BOOM ANGLE			80 DEGREE BOOM ANGLE			75 DEGREE BOOM ANGLE			70 DEGREE BOOM ANGLE			65 DEGREE BOOM ANGLE			60 DEGREE BOOM ANGLE			JIB OPER. RAD. FEET
	JIB ANG. DEG.	JIB POINT ELEV. FEET	LUFFING JIB CAPACITY POUNDS	JIB ANG. DEG.	JIB POINT ELEV. FEET	LUFFING JIB CAPACITY POUNDS	JIB ANG. DEG.	JIB POINT ELEV. FEET	LUFFING JIB CAPACITY POUNDS	JIB ANG. DEG.	JIB POINT ELEV. FEET	LUFFING JIB CAPACITY POUNDS	JIB ANG. DEG.	JIB POINT ELEV. FEET	LUFFING JIB CAPACITY POUNDS	JIB ANG. DEG.	JIB POINT ELEV. FEET	LUFFING JIB CAPACITY POUNDS	JIB ANG. DEG.	JIB POINT ELEV. FEET	LUFFING JIB CAPACITY POUNDS	
50	75.7	313.2	43,800*																			50
55	73.7	311.8	43,000*																			55
60	71.7	310.3	41,500*																			60
65	69.6	308.5	40,000*																			65
70	67.6	306.6	38,600*																			70
75	65.5	304.4	37,100*																			75
80	63.4	302.0	35,700*	69.2	306.8	39,900*																80
85	61.2	299.4	34,300*	67.1	304.8	38,500*																85
90	59.0	296.5	32,900*	65.1	302.6	37,200*																90
95	56.8	293.4	31,600*	62.9	300.2	35,800*	66.4	302.7	36,900													95
100	54.5	290.0	30,400*	60.8	297.5	34,400*	64.3	300.4	34,500													100
105	52.1	286.2	29,100*	58.5	294.6	33,100*	62.2	297.9	32,300													105
110	49.6	282.2	27,900*	56.3	291.4	31,800*	60.0	295.2	30,400													110
115	47.1	277.7	26,800*	54.0	287.9	30,600*	57.8	292.1	28,600													115
120	44.4	272.8	25,700*	51.6	284.1	29,300	55.5	288.8	27,100	61.6	293.9	23,400										120
125	41.6	267.5	24,700*	49.1	279.9	27,700	53.1	285.2	25,600	59.4	291.1	22,100										125
130	38.6	261.6	23,700*	46.5	275.4	26,300	50.7	281.3	24,300	57.1	288.0	21,000										130
135	35.5	254.9	22,700*	43.8	270.4	25,000	48.2	277.1	23,000	54.8	284.6	19,900										135
140	32.0	247.4	21,800*	41.0	264.9	23,800	45.6	272.4	21,900	52.5	281.0	18,900										140
145	28.2	238.8	21,000*	38.0	258.9	22,600	42.8	267.2	20,900	50.0	276.9	17,900	56.3	282.5	15,000							145
150	23.9	228.6	20,200*	34.7	252.1	21,600	39.9	261.6	19,900	47.5	272.6	17,000	54.0	279.0	14,300							150
155	18.6	215.7	19,500*	31.2	244.4	20,600	36.9	255.2	19,000	44.8	267.8	16,200	51.6	275.2	13,600							155
160	11.2	196.9	18,900*	27.3	235.4	19,700	33.6	248.2	18,100	42.0	262.5	15,500	49.1	271.1	12,900							160
165				22.8	224.8	18,800	29.9	240.1	17,300	39.1	256.6	14,800	46.5	266.5	12,300	53.0	271.9	9,800				165
170				17.2	211.0	18,000	25.8	230.6	16,500	36.0	250.1	14,100	43.9	261.6	11,700	50.5	267.9	9,300				170
175				8.7	189.3	17,200				21.0	219.1	15,800	32.6	242.8	13,500	41.0	256.1	11,100	48.0	263.6	8,800	175
180										14.8	203.7	15,100	28.8	234.4	12,900	38.0	250.0	10,600	45.4	258.9	8,400	180
185													24.6	224.4	12,300	34.8	243.3	10,100	42.6	253.7	8,000	185
190													19.5	212.1	11,700	31.3	235.6	9,600	39.7	248.0	7,600	190
195													12.6	194.6	11,200	27.4	226.7	9,200	36.7	241.7	7,200	195
200																22.9	216.1	8,700	33.3	234.5	6,800	200
205																17.4	202.4	8,300	29.7	226.4	6,400	205
210																9.0	181.1	7,900	25.5	216.8	6,100	210
215																			20.7	205.1	5,800	215
220																			14.3	189.2	5,400	220

S/N: 8885093

MANITOWOC ENGINEERING CO.

Division of the Manitowoc Company, Inc. Manitowoc, Wisconsin 54220



LIFTCRANE LUFFING JIB CAPACITIES

DESIGNED AND TESTED
WITH THE INTENT TO BE
THE SCOPE OF ANSI B30.5

888 SERIES 1

LUFFING JIB NO. 135 ON BOOM NO. 22EL
144,100 LB. COUNTERWEIGHT
28'2" CRAWLERS EXTENDED
360 DEGREE RATING

160 FT. BOOM, 160 FT. JIB

JIB OPER. RAD. FEET	88 DEGREE BOOM ANGLE			83 DEGREE BOOM ANGLE			80 DEGREE BOOM ANGLE			75 DEGREE BOOM ANGLE			70 DEGREE BOOM ANGLE			65 DEGREE BOOM ANGLE			JIB OPER. RAD. FEET
	JIB ANG. DEG.	JIB POINT ELEV. FEET	LUFFING JIB CAPACITY POUNDS	JIB ANG. DEG.	JIB POINT ELEV. FEET	LUFFING JIB CAPACITY POUNDS	JIB ANG. DEG.	JIB POINT ELEV. FEET	LUFFING JIB CAPACITY POUNDS	JIB ANG. DEG.	JIB POINT ELEV. FEET	LUFFING JIB CAPACITY POUNDS	JIB ANG. DEG.	JIB POINT ELEV. FEET	LUFFING JIB CAPACITY POUNDS	JIB ANG. DEG.	JIB POINT ELEV. FEET	LUFFING JIB CAPACITY POUNDS	
55	74.7	322.2	39,600*																55
60	72.9	320.8	38,100*																60
65	71.0	319.1	36,700*																65
70	69.1	317.3	35,300*																70
75	67.1	315.3	33,900*																75
80	65.2	313.1	32,600*	70.6	317.5	36,400*													80
85	63.2	310.7	31,200*	68.6	315.6	35,100*													85
90	61.2	308.1	29,900*	66.7	313.6	33,900*													90
95	59.1	305.2	28,600*	64.7	311.3	32,600*	68.0	313.6	34,400*										95
100	57.0	302.1	27,400*	62.7	308.8	31,300*	66.0	311.4	33,200*										100
105	54.8	298.7	26,200*	60.7	306.2	30,000*	64.1	309.1	32,000										105
110	52.6	295.0	25,000*	58.6	303.2	28,700*	62.0	306.6	30,000										110
115	50.3	291.0	23,900*	56.5	300.1	27,500*	60.0	303.8	28,300										115
120	47.9	286.7	22,900*	54.3	296.6	26,300*	57.9	300.8	26,700										120
125	45.5	282.0	21,800*	52.1	292.9	25,200*	55.8	297.5	25,300	61.5	302.6	21,800							125
130	42.9	276.9	20,800*	49.8	288.8	24,000*	53.6	294.0	23,900	59.4	299.8	20,600							130
135	40.2	271.2	19,900*	47.4	284.4	23,000*	51.3	290.1	22,700	57.3	296.7	19,500							135
140	37.4	265.0	19,000*	44.9	279.6	21,900*	49.0	286.0	21,600	55.2	293.3	18,500							140
145	34.3	258.1	18,100*	42.3	274.4	20,900*	46.6	281.4	20,500	52.9	289.7	17,600							145
150	31.0	250.3	17,300*	39.6	268.6	20,000*	44.0	276.5	19,600	50.7	285.8	16,700	56.6	291.2	13,900				150
155	27.3	241.3	16,600*	36.7	262.2	19,100*	41.4	271.1	18,600	48.3	281.5	15,900	54.4	287.7	13,200				155
160	23.1	230.7	15,900*	33.6	255.1	18,200*	38.6	265.1	17,800	45.9	276.9	15,100	52.2	284.0	12,500				160
165	18.0	217.3	15,200*	30.2	247.1	17,400*	35.7	258.5	17,000	43.3	271.8	14,400	49.9	280.0	11,900				165
170	10.8	197.9	14,700*	26.4	237.8	16,700*	32.5	251.1	16,200	40.6	266.2	13,700	47.5	275.6	11,300				170
175				22.1	226.7	15,900*	29.0	242.7	15,500	37.8	260.1	13,100	45.0	270.8	10,700	51.2	276.8	8,400	175
180				16.7	212.5	15,300*	25.0	232.9	14,900	34.8	253.3	12,500	42.4	265.5	10,200	48.8	272.6	8,000	180
185				8.4	190.1	14,800*	20.4	220.9	14,200	31.5	245.6	12,000	39.7	259.8	9,700	46.4	268.0	7,600	185
190							14.4	204.9	13,600	27.9	236.9	11,400	36.8	253.4	9,300	43.9	263.0	7,200	190
195										23.8	226.6	10,900	33.7	246.4	8,800	41.2	257.6	6,800	195
200										18.9	213.7	10,400	30.3	238.3	8,400	38.4	251.6	6,400	200
205										12.2	195.7	9,900	26.5	229.1	8,000	35.4	244.9	6,100	205
210													22.2	218.0	7,600	32.2	237.5	5,700	210
215													16.8	203.9	7,200	28.7	229.0	5,400	215
220													8.7	181.8	6,800	24.7	219.0	5,100	220
225																20.0	206.9	4,800	225
230																13.9	190.5	4,500	230

S/N: 8885093

MANITOWOC ENGINEERING CO.

Division of the Manitowoc Company, Inc. Manitowoc, Wisconsin 54220



LIFTCRANE LUFFING JIB CAPACITIES

DESIGNED AND TESTED
WITH THE INTENT TO BE
THE SCOPE OF ANSI B30.5

888 SERIES 1

LUFFING JIB NO. 135 ON BOOM NO. 22EL
144,100 LB. COUNTERWEIGHT
28'2" CRAWLERS EXTENDED
360 DEGREE RATING

160 FT. BOOM, 170 FT. JIB

JIB OPER. RAD. FEET	88 DEGREE BOOM ANGLE			83 DEGREE BOOM ANGLE			80 DEGREE BOOM ANGLE			75 DEGREE BOOM ANGLE			70 DEGREE BOOM ANGLE			65 DEGREE BOOM ANGLE			JIB OPER. RAD. FEET
	JIB ANG. DEG.	JIB POINT ELEV. FEET	LUFFING JIB CAPACITY POUNDS	JIB ANG. DEG.	JIB POINT ELEV. FEET	LUFFING JIB CAPACITY POUNDS	JIB ANG. DEG.	JIB POINT ELEV. FEET	LUFFING JIB CAPACITY POUNDS	JIB ANG. DEG.	JIB POINT ELEV. FEET	LUFFING JIB CAPACITY POUNDS	JIB ANG. DEG.	JIB POINT ELEV. FEET	LUFFING JIB CAPACITY POUNDS	JIB ANG. DEG.	JIB POINT ELEV. FEET	LUFFING JIB CAPACITY POUNDS	
55	75.6	332.6	36,200*																55
60	73.9	331.2	35,200*																60
65	72.1	329.7	33,900*																65
70	70.3	328.0	32,600*																70
75	68.5	326.1	31,300*																75
80	66.7	324.1	30,000*																80
85	64.9	321.8	28,700*	70.0	326.3	32,300*													85
90	63.0	319.4	27,500*	68.2	324.4	31,100*													90
95	61.1	316.7	26,200*	66.3	322.3	29,900*													95
100	59.2	313.8	25,000*	64.5	320.0	28,700*	67.5	322.3	30,400*										100
105	57.2	310.7	23,900*	62.6	317.5	27,500*	65.7	320.2	29,300*										105
110	55.1	307.4	22,800*	60.7	314.8	26,300*	63.8	317.8	28,100*										110
115	53.1	303.8	21,700*	58.7	311.9	25,100*	61.9	315.2	27,000*										115
120	50.9	299.9	20,700*	56.7	308.7	24,000*	60.0	312.5	25,900*										120
125	48.7	295.6	19,700*	54.7	305.3	22,800*	58.0	309.5	24,700*										125
130	46.4	291.1	18,700*	52.6	301.6	21,800*	56.0	306.2	23,600*	61.4	311.3	20,300							130
135	44.1	286.1	17,800*	50.4	297.7	20,700*	54.0	302.7	22,500	59.4	308.4	19,200							135
140	41.6	280.7	16,900*	48.2	293.4	19,700*	51.9	298.9	21,300	57.5	305.4	18,200							140
145	39.0	274.8	16,100*	45.9	288.7	18,800*	49.7	294.9	20,300	55.4	302.0	17,300							145
150	36.2	268.3	15,300*	43.5	283.7	17,800*	47.4	290.4	19,300	53.4	298.5	16,400							150
155	33.3	261.1	14,500*	41.0	278.2	17,000*	45.1	285.7	18,400	51.2	294.6	15,600	56.8	299.9	12,900				155
160	30.0	253.0	13,800*	38.4	272.1	16,100*	42.7	280.5	17,600	49.1	290.4	14,900	54.7	296.4	12,200				160
165	26.5	243.7	13,100*	35.6	265.5	15,300*	40.1	274.8	16,800	46.8	285.9	14,200	52.6	292.8	11,600				165
170	22.4	232.7	12,300*	32.6	258.1	14,600*	37.4	268.6	15,900*	44.4	281.0	13,500	50.5	288.8	11,000				170
175	17.5	218.9	11,500*	29.3	249.8	13,800*	34.6	261.7	15,100*	42.0	275.7	12,900	48.3	284.5	10,500				175
180	10.5	198.8	10,800*	25.6	240.1	13,100*	31.5	254.0	14,400*	39.4	269.9	12,300	46.0	279.9	10,000	51.7	285.6	7,700	180
185				21.4	228.7	12,200*	28.1	245.2	13,700*	36.6	263.5	11,700	43.6	274.8	9,500	49.5	281.5	7,300	185
190				16.2	214.0	11,400*	24.2	235.1	12,800*	33.7	256.4	11,200	41.1	269.3	9,000	47.3	277.0	6,900	190
195				8.2	190.8	10,700*	19.7	222.7	12,000*	30.5	248.4	10,700	38.4	263.3	8,600	44.9	272.2	6,500	195
200							13.9	206.2	11,200*	27.0	239.3	10,200	35.6	256.7	8,200	42.5	267.0	6,100	200
205										23.1	228.6	9,800	32.6	249.3	7,800	39.9	261.3	5,800	205
210										18.3	215.4	9,300	29.4	241.0	7,400	37.2	255.0	5,500	210
215										11.8	196.8	8,900	25.7	231.4	7,000	34.4	248.1	5,200	215
220													21.5	220.0	6,700	31.2	240.3	4,900	220
225													16.3	205.4	6,300	27.8	231.5	4,600	225
230													8.4	182.6	6,000	24.0	221.2	4,300	230
235																19.4	208.6	4,000	235

S/N: 8885093

MANITOWOC ENGINEERING CO.

Division of the Manitowoc Company, Inc. Manitowoc, Wisconsin 54220



LIFTCRANE LUFFING JIB CAPACITIES

DESIGNED AND TESTED
WITH THE INTENT TO BE
THE SCOPE OF ANSI B30.5

888 SERIES 1

**LUFFING JIB NO. 135 ON BOOM NO. 22EL
144,100 LB. COUNTERWEIGHT
28'2" CRAWLERS EXTENDED
360 DEGREE RATING**

170 FT. BOOM, 80 FT. JIB

JIB OPER. RAD. FEET	88 DEGREE BOOM ANGLE			83 DEGREE BOOM ANGLE			80 DEGREE BOOM ANGLE			75 DEGREE BOOM ANGLE			70 DEGREE BOOM ANGLE			65 DEGREE BOOM ANGLE			60 DEGREE BOOM ANGLE			JIB OPER. RAD. FEET
	JIB ANG. DEG.	JIB POINT ELEV. FEET	LUFFING JIB CAPACITY POUNDS	JIB ANG. DEG.	JIB POINT ELEV. FEET	LUFFING JIB CAPACITY POUNDS	JIB ANG. DEG.	JIB POINT ELEV. FEET	LUFFING JIB CAPACITY POUNDS	JIB ANG. DEG.	JIB POINT ELEV. FEET	LUFFING JIB CAPACITY POUNDS	JIB ANG. DEG.	JIB POINT ELEV. FEET	LUFFING JIB CAPACITY POUNDS	JIB ANG. DEG.	JIB POINT ELEV. FEET	LUFFING JIB CAPACITY POUNDS	JIB ANG. DEG.	JIB POINT ELEV. FEET	LUFFING JIB CAPACITY POUNDS	
50	62.6	248.9	82,800* ^b																			50
55	58.5	246.1	79,700* ^b																			55
60	54.2	242.8	76,800* ^b	66.4	249.8	73,400 ^b																60
65	49.6	238.8	73,300	62.4	247.4	66,200 ^b																65
70	44.7	234.2	66,800	58.3	244.6	60,300 ^b	65.4	247.9	56,400 ^b													70
75	39.4	228.7	61,200	54.0	241.2	55,300	61.4	245.4	51,700 ^b													75
80	33.4	221.9	56,400	49.4	237.3	51,000	57.3	242.4	47,700 ^b													80
85	26.1	213.1	52,300	44.5	232.6	47,200	52.9	238.9	44,100													85
90	16.2	200.2	48,300*	39.1	227.0	43,900	48.3	234.8	41,100	61.0	241.6	36,300 ^b										90
95				33.1	220.2	41,000	43.3	229.9	38,300	56.8	238.6	33,900 ^b										95
100				25.8	211.3	38,400	37.7	224.1	35,900	52.4	235.1	31,700										100
105				15.6	198.1	36,000	31.4	216.8	33,700	47.7	230.9	29,800										105
110							23.7	207.2	31,700	42.7	225.9	28,000	56.0	233.4	24,300							110
115							12.0	191.7	29,800	37.1	219.9	26,400	51.6	229.7	22,900							115
120										30.6	212.5	24,900	46.8	225.4	21,600							120
125										22.7	202.5	23,500	41.7	220.3	20,400							125
130										9.8	185.3	22,200	36.0	214.0	19,300	50.3	222.7	16,400				130
135													29.3	206.2	18,300	45.5	218.2	15,500				135
140													20.9	195.6	17,300	40.2	212.8	14,700				140
145													4.6	173.5	16,300	34.3	206.2	13,900				145
150																27.3	197.8	13,200	43.5	209.2	10,800	150
155																17.9	185.8	12,500	38.0	203.4	10,200	155
160																			31.7	196.2	9,600	160
165																			24.1	186.8	9,100	165
170																			12.7	171.7	8,600	170

S/N: 8885093

MANITOWOC ENGINEERING CO.

Division of the Manitowoc Company, Inc. Manitowoc, Wisconsin 54220



LIFTCRANE LUFFING JIB CAPACITIES

DESIGNED AND TESTED
WITH THE INTENT TO BE
THE SCOPE OF ANSI B30.5

888 SERIES 1

**LUFFING JIB NO. 135 ON BOOM NO. 22EL
144,100 LB. COUNTERWEIGHT
28'2" CRAWLERS EXTENDED
360 DEGREE RATING**

170 FT. BOOM, 90 FT. JIB

JIB OPER. RAD. FEET	88 DEGREE BOOM ANGLE			83 DEGREE BOOM ANGLE			80 DEGREE BOOM ANGLE			75 DEGREE BOOM ANGLE			70 DEGREE BOOM ANGLE			65 DEGREE BOOM ANGLE			60 DEGREE BOOM ANGLE			JIB OPER. RAD. FEET
	JIB ANG. DEG.	JIB POINT ELEV. FEET	LUFFING JIB CAPACITY POUNDS	JIB ANG. DEG.	JIB POINT ELEV. FEET	LUFFING JIB CAPACITY POUNDS	JIB ANG. DEG.	JIB POINT ELEV. FEET	LUFFING JIB CAPACITY POUNDS	JIB ANG. DEG.	JIB POINT ELEV. FEET	LUFFING JIB CAPACITY POUNDS	JIB ANG. DEG.	JIB POINT ELEV. FEET	LUFFING JIB CAPACITY POUNDS	JIB ANG. DEG.	JIB POINT ELEV. FEET	LUFFING JIB CAPACITY POUNDS	JIB ANG. DEG.	JIB POINT ELEV. FEET	LUFFING JIB CAPACITY POUNDS	
45	69.3	262.1	76,700* ^b																			45
50	65.9	260.0	74,800* ^b																			50
55	62.3	257.6	72,100* ^b																			55
60	58.7	254.8	69,400*	69.1	260.6	73,100 ^b																60
65	54.8	251.5	67,000*	65.7	258.5	66,000 ^b																65
70	50.9	247.7	64,700*	62.1	256.1	60,100 ^b																70
75	46.6	243.3	61,100	58.5	253.3	55,100	64.8	256.6	51,500 ^b													75
80	42.1	238.2	56,400	54.7	250.0	50,800	61.3	254.0	47,400 ^b													80
85	37.1	232.1	52,200	50.7	246.1	47,000	57.6	251.1	43,900													85
90	31.4	224.8	48,600	46.4	241.7	43,800	53.7	247.6	40,800													90
95	24.6	215.4	45,400	41.8	236.6	40,900	49.7	243.7	38,100	60.9	250.3	33,600 ^b										95
100	15.3	201.6	42,500	36.8	230.5	38,300	45.3	239.1	35,700	57.1	247.3	31,400										100
105				31.1	223.0	35,900	40.7	233.7	33,500	53.3	243.8	29,500										105
110				24.3	213.5	33,800	35.5	227.4	31,600	49.2	239.8	27,800										110
115				14.7	199.4	31,900	29.6	219.5	29,800	44.8	235.1	26,200	56.4	242.1	22,600							115
120							22.3	209.3	28,100	40.1	229.7	24,700	52.5	238.5	21,300							120
125							11.3	192.7	26,600	34.9	223.2	23,400	48.4	234.4	20,200							125
130										28.9	215.1	22,200	44.0	229.6	19,100							130
135										21.3	204.5	21,000	39.2	223.9	18,100	51.4	231.6	15,200				135
140										9.3	186.2	19,900	33.9	217.2	17,200	47.2	227.3	14,400				140
145													27.6	208.8	16,300	42.7	222.3	13,700				145
150													19.7	197.4	15,500	37.8	216.3	13,000				150
155													4.3	173.9	14,600	32.2	209.2	12,300	45.5	218.4	9,900	155
160																25.7	200.2	11,700	40.9	213.1	9,400	160
165																16.9	187.3	11,100	35.7	206.7	8,900	165
170																			29.9	199.0	8,400	170
175																			22.7	188.8	8,000	175
180																			11.9	172.8	7,500	180

S/N: 8885093

MANITOWOC ENGINEERING CO.

Division of the Manitowoc Company, Inc. Manitowoc, Wisconsin 54220



LIFTCRANE LUFFING JIB CAPACITIES

DESIGNED AND TESTED
WITH THE INTENT TO BE
THE SCOPE OF ANSI B30.5

888 SERIES 1

LUFFING JIB NO. 135 ON BOOM NO. 22EL
144,100 LB. COUNTERWEIGHT
28'2" CRAWLERS EXTENDED
360 DEGREE RATING

170 FT. BOOM, 100 FT. JIB

JIB OPER. RAD. FEET	88 DEGREE BOOM ANGLE			83 DEGREE BOOM ANGLE			80 DEGREE BOOM ANGLE			75 DEGREE BOOM ANGLE			70 DEGREE BOOM ANGLE			65 DEGREE BOOM ANGLE			60 DEGREE BOOM ANGLE			JIB OPER. RAD. FEET
	JIB ANG. DEG.	JIB POINT ELEV. FEET	LUFFING JIB CAPACITY POUNDS	JIB ANG. DEG.	JIB POINT ELEV. FEET	LUFFING JIB CAPACITY POUNDS	JIB ANG. DEG.	JIB POINT ELEV. FEET	LUFFING JIB CAPACITY POUNDS	JIB ANG. DEG.	JIB POINT ELEV. FEET	LUFFING JIB CAPACITY POUNDS	JIB ANG. DEG.	JIB POINT ELEV. FEET	LUFFING JIB CAPACITY POUNDS	JIB ANG. DEG.	JIB POINT ELEV. FEET	LUFFING JIB CAPACITY POUNDS	JIB ANG. DEG.	JIB POINT ELEV. FEET	LUFFING JIB CAPACITY POUNDS	
45	71.4	272.7	70,700*b																			45
50	68.4	270.9	69,800*b																			50
55	65.3	268.7	67,100*b																			55
60	62.1	266.3	64,500*																			60
65	58.8	263.4	62,100*	68.3	269.4	65,700b																65
70	55.4	260.2	59,800*	65.1	267.3	59,700b																70
75	51.8	256.5	57,600*	61.9	264.8	54,700	67.5	267.5	51,100b													75
80	48.1	252.3	55,100*	58.6	261.9	50,400	64.4	265.3	47,000													80
85	44.1	247.5	51,800*	55.2	258.7	46,700	61.1	262.7	43,500													85
90	39.8	241.9	48,400	51.6	254.9	43,400	57.8	259.7	40,500													90
95	35.1	235.4	45,200	47.9	250.7	40,600	54.4	256.4	37,800													95
100	29.8	227.5	42,400	43.9	245.9	38,000	50.8	252.5	35,400	60.8	259.0	31,000										100
105	23.3	217.5	39,800	39.6	240.3	35,700	46.9	248.2	33,200	57.4	256.0	29,100										105
110	14.5	202.9	37,400	34.9	233.7	33,600	42.9	243.2	31,300	54.0	252.6	27,400										110
115				29.5	225.7	31,700	38.5	237.3	29,500	50.3	248.7	25,800										115
120				23.0	215.6	30,000	33.6	230.5	27,900	46.5	244.2	24,400	56.8	250.7	20,900							120
125				14.0	200.6	28,300	28.0	222.1	26,400	42.4	239.1	23,000	53.3	247.2	19,700							125
130							21.1	211.2	25,000	38.0	233.2	21,800	49.7	243.3	18,700							130
135							10.7	193.6	23,700	33.0	226.2	20,700	45.8	238.7	17,700							135
140										27.3	217.6	19,700	41.6	233.5	16,800	52.3	240.3	14,000				140
145										20.2	206.3	18,700	37.1	227.4	15,900	48.6	236.2	13,200				145
150										8.8	187.0	17,700	32.1	220.1	15,100	44.7	231.5	12,500				150
155													26.2	211.2	14,400	40.4	226.0	11,900				155
160													18.7	199.0	13,700	35.8	219.7	11,300	47.1	227.4	9,000	160
165													4.1	174.2	12,900	30.6	212.0	10,700	43.1	222.5	8,500	165
170																24.3	202.4	10,200	38.7	216.7	8,000	170
175																16.0	188.8	9,600	33.8	209.9	7,600	175
180																			28.3	201.6	7,200	180
185																			21.5	190.8	6,700	185
190																			11.3	173.8	6,300	190

S/N: 8885093

MANITOWOC ENGINEERING CO.

Division of the Manitowoc Company, Inc. Manitowoc, Wisconsin 54220



LIFTCRANE LUFFING JIB CAPACITIES

DESIGNED AND TESTED
WITH THE INTENT TO BE
THE SCOPE OF ANSI B30.5

888 SERIES 1

LUFFING JIB NO. 135 ON BOOM NO. 22EL
144,100 LB. COUNTERWEIGHT
28'2" CRAWLERS EXTENDED
360 DEGREE RATING

170 FT. BOOM, 110 FT. JIB

JIB OPER. RAD. FEET	88 DEGREE BOOM ANGLE			83 DEGREE BOOM ANGLE			80 DEGREE BOOM ANGLE			75 DEGREE BOOM ANGLE			70 DEGREE BOOM ANGLE			65 DEGREE BOOM ANGLE			60 DEGREE BOOM ANGLE			JIB OPER. RAD. FEET	
	JIB ANG. DEG.	JIB POINT ELEV. FEET	LUFFING JIB CAPACITY POUNDS	JIB ANG. DEG.	JIB POINT ELEV. FEET	LUFFING JIB CAPACITY POUNDS	JIB ANG. DEG.	JIB POINT ELEV. FEET	LUFFING JIB CAPACITY POUNDS	JIB ANG. DEG.	JIB POINT ELEV. FEET	LUFFING JIB CAPACITY POUNDS	JIB ANG. DEG.	JIB POINT ELEV. FEET	LUFFING JIB CAPACITY POUNDS	JIB ANG. DEG.	JIB POINT ELEV. FEET	LUFFING JIB CAPACITY POUNDS	JIB ANG. DEG.	JIB POINT ELEV. FEET	LUFFING JIB CAPACITY POUNDS		
45	73.2	283.2	57,300* ^b																			45	
50	70.4	281.5	56,200* ^b																			50	
55	67.7	279.6	55,100* ^b																			55	
60	64.8	277.4	54,100*																			60	
65	61.9	274.9	53,200*	70.3	280.1	57,200* ^b																65	
70	58.9	272.1	52,300*	67.5	278.2	56,500*																70	
75	55.8	268.9	51,000*	64.7	276.0	54,700																75	
80	52.6	265.3	49,300*	61.8	273.4	50,400	66.8	276.2	47,000													80	
85	49.2	261.2	47,600*	58.8	270.6	46,700	64.0	273.9	43,500													85	
90	45.7	256.6	46,100*	55.7	267.4	43,400	61.0	271.3	40,400													90	
95	41.9	251.4	43,500*	52.4	263.7	40,500	58.0	268.4	37,700													95	
100	37.9	245.4	41,100*	49.1	259.6	38,000	54.9	265.1	35,300													100	
105	33.4	238.5	38,900*	45.5	255.0	35,700	51.6	261.4	33,200	60.7	267.6	29,000										105	
110	28.3	230.1	36,800*	41.8	249.8	33,600	48.2	257.1	31,200	57.7	264.6	27,300										110	
115	22.2	219.5	35,000*	37.7	243.8	31,700	44.6	252.4	29,500	54.5	261.3	25,800										115	
120	13.8	204.2	33,500	33.2	236.8	30,000	40.8	247.0	27,900	51.3	257.5	24,300										120	
125				28.1	228.3	28,400	36.6	240.7	26,400	47.8	253.2	23,000	57.1	259.4	19,700								125
130				21.9	217.6	27,000	32.0	233.4	25,000	44.2	248.4	21,800	53.9	256.0	18,600								130
135				13.3	201.8	25,600	26.7	224.5	23,800	40.4	242.9	20,700	50.7	252.1	17,700								135
140							20.2	213.0	22,600	36.1	236.6	19,700	47.2	247.8	16,800								140
145							10.2	194.6	21,500	31.5	229.1	18,700	43.5	242.8	15,900								145
150										26.0	220.0	17,800	39.6	237.2	15,100	49.7	245.1	12,500					150
155										19.3	208.0	17,000	35.3	230.7	14,400	46.2	240.6	11,900					155
160										8.4	187.7	16,100	30.5	222.9	13,700	42.5	235.5	11,300					160
165													24.9	213.4	13,100	38.5	229.6	10,700					165
170													17.8	200.6	12,400	34.1	222.8	10,200	44.8	231.7	8,000		170
175													3.9	174.6	11,800	29.1	214.7	9,700	41.0	226.3	7,600		175
180																23.2	204.5	9,200	36.8	220.1	7,200		180
185																15.3	190.2	8,700	32.2	212.8	6,800		185
190																			27.0	204.0	6,400		190
195																			20.5	192.6	6,000		195
200																			10.8	174.8	5,700		200

S/N: 8885093

MANITOWOC ENGINEERING CO.

Division of the Manitowoc Company, Inc. Manitowoc, Wisconsin 54220



LIFTCRANE LUFFING JIB CAPACITIES

DESIGNED AND TESTED
WITH THE INTENT TO BE
THE SCOPE OF ANSI B30.5

888 SERIES 1

LUFFING JIB NO. 135 ON BOOM NO. 22EL
144,100 LB. COUNTERWEIGHT
28'2" CRAWLERS EXTENDED
360 DEGREE RATING

170 FT. BOOM, 120 FT. JIB

JIB OPER. RAD. FEET	88 DEGREE BOOM ANGLE			83 DEGREE BOOM ANGLE			80 DEGREE BOOM ANGLE			75 DEGREE BOOM ANGLE			70 DEGREE BOOM ANGLE			65 DEGREE BOOM ANGLE			60 DEGREE BOOM ANGLE			JIB OPER. RAD. FEET
	JIB ANG. DEG.	JIB POINT ELEV. FEET	LUFFING JIB CAPACITY POUNDS	JIB ANG. DEG.	JIB POINT ELEV. FEET	LUFFING JIB CAPACITY POUNDS	JIB ANG. DEG.	JIB POINT ELEV. FEET	LUFFING JIB CAPACITY POUNDS	JIB ANG. DEG.	JIB POINT ELEV. FEET	LUFFING JIB CAPACITY POUNDS	JIB ANG. DEG.	JIB POINT ELEV. FEET	LUFFING JIB CAPACITY POUNDS	JIB ANG. DEG.	JIB POINT ELEV. FEET	LUFFING JIB CAPACITY POUNDS	JIB ANG. DEG.	JIB POINT ELEV. FEET	LUFFING JIB CAPACITY POUNDS	
45	74.6	293.6	53,800* ^b																			45
50	72.1	292.1	52,800* ^b																			50
55	69.6	290.4	51,900*																			55
60	67.0	288.4	51,000*																			60
65	64.4	286.1	50,200*																			65
70	61.7	283.6	48,900*	69.5	288.9	52,700*																70
75	59.0	280.7	47,300*	66.9	286.9	52,100*																75
80	56.2	277.6	45,600*	64.3	284.7	50,000																80
85	53.2	274.0	44,000*	61.6	282.1	46,300	66.3	285.0	43,100													85
90	50.2	270.1	42,400*	58.9	279.2	43,100	63.6	282.6	40,000													90
95	47.0	265.7	40,900*	56.0	276.0	40,200	61.0	280.0	37,400													95
100	43.7	260.7	39,500*	53.1	272.5	37,700	58.2	277.1	35,000													100
105	40.1	255.1	37,500*	50.1	268.5	35,400	55.3	273.8	32,800													105
110	36.2	248.8	35,500*	46.9	264.1	33,300	52.4	270.1	30,900	60.6	276.3	26,900										110
115	32.0	241.4	33,700*	43.5	259.1	31,400	49.3	266.1	29,100	57.9	273.3	25,400										115
120	27.1	232.6	32,100*	39.9	253.5	29,700	46.1	261.5	27,500	55.0	270.0	23,900										120
125	21.3	221.4	30,600*	36.0	247.1	28,200	42.6	256.4	26,100	52.0	266.3	22,600										125
130	13.2	205.3	29,500*	31.7	239.7	26,700	39.0	250.6	24,700	48.9	262.2	21,400	57.3	268.1	18,200							130
135				26.9	230.8	25,400	35.0	244.0	23,500	45.7	257.6	20,400	54.5	264.7	17,200							135
140				21.0	219.5	24,200	30.6	236.2	22,400	42.2	252.4	19,300	51.5	260.9	16,400							140
145				12.7	203.0	23,000	25.6	226.9	21,300	38.6	246.5	18,400	48.4	256.7	15,500							145
150							19.3	214.7	20,300	34.6	239.8	17,500	45.1	252.0	14,800							150
155							9.8	195.4	19,300	30.1	231.9	16,700	41.6	246.7	14,000	50.6	254.0	11,400				155
160										24.9	222.3	15,900	37.9	240.7	13,400	47.5	249.6	10,900				160
165										18.5	209.7	15,200	33.8	233.8	12,700	44.1	244.8	10,300				165
170										8.0	188.4	14,400	29.2	225.6	12,100	40.6	239.3	9,800				170
175													23.9	215.6	11,500	36.8	233.0	9,300	46.2	240.8	7,100	175
180													17.0	202.2	11,000	32.6	225.8	8,800	42.8	235.7	6,700	180
185													3.8	174.9	10,400	27.8	217.2	8,400	39.2	229.9	6,400	185
190																22.2	206.5	8,000	35.2	223.3	6,000	190
195																14.6	191.5	7,500	30.8	215.7	5,700	195
200																			25.8	206.4	5,300	200
205																			19.6	194.4	5,000	205
210																			10.3	175.7	4,700	210

S/N: 8885093

MANITOWOC ENGINEERING CO.

Division of the Manitowoc Company, Inc. Manitowoc, Wisconsin 54220



LIFTCRANE LUFFING JIB CAPACITIES

DESIGNED AND TESTED
WITH THE INTENT TO BE
THE SCOPE OF ANSI B30.5

888 SERIES 1

LUFFING JIB NO. 135 ON BOOM NO. 22EL
144,100 LB. COUNTERWEIGHT
28'2" CRAWLERS EXTENDED
360 DEGREE RATING

170 FT. BOOM, 130 FT. JIB

JIB OPER. RAD. FEET	88 DEGREE BOOM ANGLE			83 DEGREE BOOM ANGLE			80 DEGREE BOOM ANGLE			75 DEGREE BOOM ANGLE			70 DEGREE BOOM ANGLE			65 DEGREE BOOM ANGLE			60 DEGREE BOOM ANGLE			JIB OPER. RAD. FEET
	JIB ANG. DEG.	JIB POINT ELEV. FEET	LUFFING JIB CAPACITY POUNDS	JIB ANG. DEG.	JIB POINT ELEV. FEET	LUFFING JIB CAPACITY POUNDS	JIB ANG. DEG.	JIB POINT ELEV. FEET	LUFFING JIB CAPACITY POUNDS	JIB ANG. DEG.	JIB POINT ELEV. FEET	LUFFING JIB CAPACITY POUNDS	JIB ANG. DEG.	JIB POINT ELEV. FEET	LUFFING JIB CAPACITY POUNDS	JIB ANG. DEG.	JIB POINT ELEV. FEET	LUFFING JIB CAPACITY POUNDS	JIB ANG. DEG.	JIB POINT ELEV. FEET	LUFFING JIB CAPACITY POUNDS	
45	75.8	303.9	50,400*																			45
50	73.5	302.6	49,500*																			50
55	71.2	301.0	48,700*																			55
60	68.9	299.2	47,900*																			60
65	66.5	297.1	46,800*																			65
70	64.1	294.8	45,200*																			70
75	61.6	292.2	43,600*	68.8	297.7	48,600*																75
80	59.1	289.4	42,100*	66.4	295.7	47,200*																80
85	56.5	286.2	40,600*	64.0	293.3	45,700*																85
90	53.8	282.8	39,200*	61.5	290.8	42,800	65.8	293.7	39,800													90
95	51.0	278.9	37,800*	59.0	287.9	40,000	63.4	291.3	37,100													95
100	48.1	274.6	36,500*	56.3	284.7	37,400	60.9	288.7	34,700													100
105	45.1	269.9	35,300*	53.7	281.2	35,100	58.3	285.7	32,600													105
110	41.9	264.6	34,100*	50.9	277.4	33,100	55.7	282.5	30,600													110
115	38.4	258.7	32,600*	48.0	273.1	31,200	53.0	278.9	28,900	60.6	284.9	25,100										115
120	34.7	252.0	31,000*	44.9	268.3	29,500	50.2	274.9	27,300	58.0	282.0	23,700										120
125	30.7	244.2	29,500*	41.7	263.0	28,000	47.2	270.5	25,900	55.4	278.7	22,400										125
130	26.0	234.9	28,200*	38.3	257.1	26,500	44.2	265.7	24,500	52.7	275.1	21,200										130
135	20.4	223.3	27,000*	34.6	250.3	25,200	40.9	260.2	23,300	49.8	271.1	20,100	57.6	276.8	17,000							135
140	12.7	206.5	26,100*	30.5	242.4	24,000	37.4	254.1	22,100	46.9	266.6	19,100	54.9	273.4	16,100							140
145				25.8	233.1	22,900	33.6	247.1	21,100	43.8	261.7	18,100	52.2	269.7	15,200							145
150				20.1	221.3	21,800	29.4	238.9	20,100	40.5	256.2	17,300	49.3	265.6	14,500							150
155				12.2	204.1	20,800	24.5	229.1	19,200	37.0	249.9	16,500	46.3	261.1	13,800							155
160							18.5	216.4	18,300	33.2	242.8	15,700	43.2	256.1	13,100	51.4	262.8	10,600				160
165							9.4	196.3	17,400	28.9	234.5	15,000	39.9	250.4	12,500	48.5	258.6	10,000				165
170										23.9	224.4	14,300	36.3	244.0	11,900	45.5	253.9	9,500				170
175										17.7	211.3	13,600	32.4	236.7	11,300	42.3	248.7	9,000				175
180										7.7	189.1	13,000	28.0	228.2	10,800	38.9	242.9	8,600	47.4	249.8	6,500	180
185													22.9	217.7	10,300	35.3	236.3	8,200	44.3	245.0	6,100	185
190													16.4	203.6	9,800	31.3	228.7	7,700	41.0	239.5	5,700	190
195													3.6	175.2	9,300	26.7	219.6	7,300	37.6	233.4	5,400	195
200																21.3	208.4	7,000	33.8	226.5	5,100	200
205																14.0	192.7	6,600	29.6	218.4	4,800	205
210																			24.8	208.6	4,500	210
215																			18.8	196.1	4,200	215

S/N: 8885093

MANITOWOC ENGINEERING CO.

Division of the Manitowoc Company, Inc. Manitowoc, Wisconsin 54220



LIFTCRANE LUFFING JIB CAPACITIES

DESIGNED AND TESTED
WITH THE INTENT TO BE
THE SCOPE OF ANSI B30.5

888 SERIES 1

LUFFING JIB NO. 135 ON BOOM NO. 22EL
144,100 LB. COUNTERWEIGHT
28'2" CRAWLERS EXTENDED
360 DEGREE RATING

170 FT. BOOM, 140 FT. JIB

JIB OPER. RAD. FEET	88 DEGREE BOOM ANGLE			83 DEGREE BOOM ANGLE			80 DEGREE BOOM ANGLE			75 DEGREE BOOM ANGLE			70 DEGREE BOOM ANGLE			65 DEGREE BOOM ANGLE			60 DEGREE BOOM ANGLE			JIB OPER. RAD. FEET
	JIB ANG. DEG.	JIB POINT ELEV. FEET	LUFFING JIB CAPACITY POUNDS	JIB ANG. DEG.	JIB POINT ELEV. FEET	LUFFING JIB CAPACITY POUNDS	JIB ANG. DEG.	JIB POINT ELEV. FEET	LUFFING JIB CAPACITY POUNDS	JIB ANG. DEG.	JIB POINT ELEV. FEET	LUFFING JIB CAPACITY POUNDS	JIB ANG. DEG.	JIB POINT ELEV. FEET	LUFFING JIB CAPACITY POUNDS	JIB ANG. DEG.	JIB POINT ELEV. FEET	LUFFING JIB CAPACITY POUNDS	JIB ANG. DEG.	JIB POINT ELEV. FEET	LUFFING JIB CAPACITY POUNDS	
50	74.8	313.0	46,200*																			50
55	72.6	311.5	45,400*																			55
60	70.5	309.8	44,600*																			60
65	68.3	307.9	43,100*																			65
70	66.1	305.8	41,600*																			70
75	63.8	303.5	40,100*	70.4	308.4	44,700*																75
80	61.5	300.9	38,600*	68.2	306.5	43,300*																80
85	59.1	298.1	37,200*	66.0	304.4	41,900*																85
90	56.7	294.9	35,800*	63.7	302.0	40,500*	67.6	304.6	39,400													90
95	54.2	291.5	34,500*	61.4	299.4	39,100*	65.4	302.4	36,700													95
100	51.7	287.7	33,200*	59.0	296.6	37,100	63.1	300.0	34,300													100
105	49.0	283.6	32,000*	56.6	293.4	34,800	60.8	297.3	32,200													105
110	46.2	279.0	30,700*	54.1	290.0	32,800	58.4	294.4	30,300													110
115	43.3	274.0	29,600*	51.6	286.2	30,900	56.0	291.2	28,500	62.9	296.3	24,700										115
120	40.3	268.4	28,500*	48.9	282.0	29,200	53.5	287.6	27,000	60.6	293.6	23,300										120
125	37.0	262.1	27,500*	46.1	277.4	27,700	50.9	283.8	25,500	58.2	290.6	22,000										125
130	33.4	255.0	26,500*	43.2	272.4	26,200	48.2	279.5	24,200	55.7	287.4	20,800										130
135	29.5	246.9	25,600*	40.1	266.8	24,900	45.4	274.8	23,000	53.2	283.8	19,700										135
140	25.1	237.2	24,700*	36.8	260.5	23,700	42.5	269.6	21,800	50.6	279.9	18,700	57.7	285.4	15,600							140
145	19.7	225.0	23,900*	33.3	253.3	22,600	39.3	263.9	20,800	47.9	275.6	17,800	55.3	282.1	14,800							145
150	12.2	207.6	23,200*	29.3	245.1	21,500	36.0	257.4	19,800	45.1	270.9	16,900	52.7	278.5	14,100							150
155				24.8	235.3	20,500	32.4	250.0	18,900	42.1	265.6	16,100	50.1	274.5	13,400							155
160				19.4	223.0	19,600	28.3	241.5	18,000	39.0	259.8	15,300	47.4	270.1	12,700							160
165				11.8	205.1	18,700	23.6	231.2	17,200	35.6	253.2	14,600	44.6	265.3	12,100	52.0	271.6	9,600				165
170							17.8	218.0	16,400	31.9	245.7	14,000	41.6	259.9	11,500	49.4	267.5	9,100				170
175							9.0	197.1	15,700	27.8	237.0	13,300	38.4	254.0	10,900	46.6	263.0	8,600				175
180										23.0	226.5	12,700	35.0	247.3	10,400	43.8	258.0	8,200				180
185										17.1	212.8	12,100	31.2	239.6	9,900	40.7	252.5	7,800				185
190										7.4	189.8	11,500	27.0	230.6	9,500	37.5	246.4	7,300	45.5	254.1	5,300	190
195													22.1	219.6	9,000	34.0	239.4	7,000	42.6	248.9	5,000	195
200													15.8	205.1	8,600	30.1	231.4	6,600	39.5	243.2	4,700	200
205													3.5	175.5	8,100	25.7	222.0	6,200	36.1	236.7	4,400	205
210																20.5	210.3	5,900	32.5	229.4	4,100	210
215																13.5	193.9	5,600				215

S/N: 8885093

MANITOWOC ENGINEERING CO.

Division of the Manitowoc Company, Inc. Manitowoc, Wisconsin 54220



LIFTCRANE LUFFING JIB CAPACITIES

DESIGNED AND TESTED
WITH THE INTENT TO BE
THE SCOPE OF ANSI B30.5

888 SERIES 1

LUFFING JIB NO. 135 ON BOOM NO. 22EL
144,100 LB. COUNTERWEIGHT
28'2" CRAWLERS EXTENDED
360 DEGREE RATING

170 FT. BOOM, 150 FT. JIB

JIB OPER. RAD. FEET	88 DEGREE BOOM ANGLE			83 DEGREE BOOM ANGLE			80 DEGREE BOOM ANGLE			75 DEGREE BOOM ANGLE			70 DEGREE BOOM ANGLE			65 DEGREE BOOM ANGLE			60 DEGREE BOOM ANGLE			JIB OPER. RAD. FEET
	JIB ANG. DEG.	JIB POINT ELEV. FEET	LUFFING JIB CAPACITY POUNDS	JIB ANG. DEG.	JIB POINT ELEV. FEET	LUFFING JIB CAPACITY POUNDS	JIB ANG. DEG.	JIB POINT ELEV. FEET	LUFFING JIB CAPACITY POUNDS	JIB ANG. DEG.	JIB POINT ELEV. FEET	LUFFING JIB CAPACITY POUNDS	JIB ANG. DEG.	JIB POINT ELEV. FEET	LUFFING JIB CAPACITY POUNDS	JIB ANG. DEG.	JIB POINT ELEV. FEET	LUFFING JIB CAPACITY POUNDS	JIB ANG. DEG.	JIB POINT ELEV. FEET	LUFFING JIB CAPACITY POUNDS	
50	75.8	323.3	43,100*																			50
55	73.8	321.9	42,400*																			55
60	71.8	320.4	41,200*																			60
65	69.8	318.7	39,800*																			65
70	67.7	316.7	38,400*																			70
75	65.7	314.6	37,000*																			75
80	63.5	312.2	35,600*	69.7	317.2	39,900*																80
85	61.4	309.6	34,300*	67.6	315.3	38,600*																85
90	59.2	306.7	32,900*	65.6	313.1	37,300*																90
95	56.9	303.6	31,600*	63.4	310.7	36,000*	67.1	313.3	36,600													95
100	54.6	300.2	30,400*	61.3	308.1	34,700*	65.1	311.1	34,200													100
105	52.3	296.5	29,200*	59.1	305.2	33,400*	62.9	308.7	32,100													105
110	49.8	292.5	28,000*	56.8	302.1	32,100*	60.8	306.0	30,200													110
115	47.3	288.0	26,900*	54.5	298.7	30,800	58.5	303.1	28,400													115
120	44.6	283.2	25,800*	52.1	295.0	29,100	56.3	299.9	26,900	62.7	305.0	23,100										120
125	41.8	277.9	24,800*	49.7	290.9	27,600	54.0	296.4	25,400	60.5	302.3	21,900										125
130	38.9	272.0	23,800*	47.1	286.5	26,100	51.6	292.6	24,100	58.3	299.3	20,700										130
135	35.7	265.4	22,800*	44.5	281.6	24,800	49.1	288.4	22,900	56.0	296.1	19,600										135
140	32.3	258.0	21,900*	41.7	276.3	23,600	46.5	283.9	21,700	53.7	292.6	18,600										140
145	28.5	249.5	21,100*	38.7	270.3	22,500	43.8	278.9	20,700	51.3	288.7	17,700	57.9	294.1	14,700							145
150	24.2	239.4	20,300*	35.5	263.7	21,500	41.0	273.4	19,700	48.8	284.5	16,800	55.6	290.8	14,000							150
155	19.0	226.7	19,600*	32.1	256.3	20,500	38.0	267.4	18,800	46.2	280.0	16,000	53.3	287.2	13,300							155
160	11.8	208.6	19,000*	28.3	247.7	19,600	34.7	260.6	18,000	43.5	274.9	15,300	50.8	283.3	12,600							160
165				24.0	237.5	18,700	31.2	252.9	17,200	40.6	269.4	14,500	48.3	279.1	12,000							165
170				18.7	224.7	17,900	27.3	243.9	16,400	37.6	263.2	13,900	45.7	274.4	11,400	52.6	280.3	9,000				170
175				11.4	206.1	17,100	22.8	233.3	15,700	34.4	256.4	13,300	43.0	269.3	10,900	50.2	276.4	8,500				175
180							17.2	219.5	15,000	30.8	248.5	12,700	40.1	263.7	10,300	47.6	272.0	8,100				180
185							8.7	197.9	14,300	26.9	239.4	12,100	37.0	257.4	9,900	45.0	267.2	7,700				185
190										22.3	228.5	11,600	33.7	250.4	9,400	42.2	262.0	7,300				190
195										16.5	214.3	11,000	30.1	242.3	8,900	39.3	256.1	6,900	46.6	263.2	4,900	195
200										7.2	190.4	10,500	26.1	233.0	8,500	36.2	249.7	6,500	43.9	258.2	4,600	200
205													21.3	221.6	8,100	32.8	242.4	6,200	41.1	252.8	4,300	205
210													15.2	206.4	7,700	29.1	234.1	5,800	38.1	246.7	4,000	210
215													3.4	175.8	7,300	24.8	224.2	5,500				215
220																19.8	212.0	5,200				220
225																13.1	195.1	4,900				225

S/N: 8885093



Liftcrane Boom Capacities With Luffing Jib Attached

Meets
ANSI B30.5
Requirements

888 SERIES 2

Boom No. 22EL
Luffing Jib No. 135
179,100 Lb. Crane Counterweight
44,000 Lb. Carbody Counterweight
28 Ft. 2 in. Crawlers Extended
360 Degree Rating

LIFTING CAPACITIES: Lifting capacities for various boom lengths and operating radii are for freely suspended loads and do not exceed 75% of a static tipping load. Capacities based on structural competence are denoted by an asterisk (*).

190 Ft. boom length without intermediate fall in luffing jib requires only the middle two sheaves in the lower boom point; all other sheaves must be removed from lower boom point.

Lower boom point assembly must be completely removed from 190 Ft. boom length with intermediate fall in luffing jib. Additionally, 190 Ft. boom capacity column cannot be used.

Weight of all load blocks, hooks, weight ball, slings, hoist lines, etc., beneath boom point sheaves, is considered part of main boom load. Weight of luffing jib and 2,825 Lbs. suspended beneath luffing jib point sheaves have been included in capacity determination. Boom is not to be lowered beyond radii where combined weights are greater than rated capacity. Where no capacity is shown, operation is not intended or approved.

OPERATING CONDITIONS: Machine to operate in a level position on a firm uniformly supporting surface with crawlers fully extended and gantry up. During operation, luffing jib must be maintained at proper boom to luffing jib angle shown in table. Refer to luffing jib assembly **No. 177063**, **No. 177354** or **No. A07691**, Wire Rope Specification chart **No. 7824-A** and Luffing Jib Raising Procedure chart **No. 7826-A**. Crane operator judgment must be used to allow for dynamic load effects of swinging, hoisting or lowering, travel, wind conditions, as well as adverse operating conditions and

physical machine depreciation. Refer to operators manual for operating guidelines.

MACHINE TRAVEL: Machine to travel on a firm, level and uniformly supporting surface with boom and luffing jib within angle range shown in capacity chart. Refer to Maximum Allowable Travel Specification chart **No. 7827-A**.

OPERATING RADIUS: Operating radius is horizontal distance from axis of rotation to center of vertical hoist line or load block. Boom angle is angle between horizontal and centerline of boom butt and inserts, and is an indication of operating radius. In all cases, operating radius shall govern capacity.

BOOM POINT ELEVATION: Boom point elevation is vertical distance from ground level to centerline of boom point shaft.

MACHINE EQUIPMENT: Machine equipped with 28 Ft. 2 in. extendible crawlers, 48 in. treads, 10 Ft. 3 in. retractable gantry, 30 Ft. live mast, 20 part boom hoist reeving, four 1-3/8 in. boom pendants, 8 part luffing jib hoist reeving, two 1-1/2 in. luffing jib pendants and backstays, 179,100 Lb. crane counterweight and 44,000 Lb. carbody counterweight.

Consult chart **No. 7832-A** for main luffing jib capacities. Consult chart **No. 8518-A** for intermediate fall capacities.

Fixed jib No. 138 must be removed before use of this chart.

Luffing Jib Position During Operation	
Luffing Jib Length - Feet	Boom To Luffing Jib Angle
70	140 Degrees
80 - 90	150 Degrees
100 - 120	160 Degrees
130 - 170	168 Degrees

Intermediate Fall Deduct
Deduct 2,600 Lbs. From Capacities When Luffing Jib Is Equipped With Intermediate Fall.



Liftcrane Boom Capacities With Luffing Jib Attached

Meets
ANSI B30.5
Requirements

888 SERIES 2

Boom No. 22EL
Luffing Jib No. 135
179,100 Lb. Crane Counterweight
44,000 Lb. Carbody Counterweight
28 Ft. 2 in. Crawlers Extended
360 Degree Rating

70 Ft. Luffing Jib Attached At 140 Degree Boom To Luffing Jib Angle

Oper. Rad. Feet	Boom Ang. Deg.	Boom Point Elev. Feet	Boom Capacity Pounds
70 Ft. Boom			
16	82.8	77.2	394,000 *
17	82.0	77.1	370,600 *
18	81.1	76.9	349,600 *
19	80.3	76.7	330,600 *
20	79.5	76.5	313,300 *
22	77.8	76.0	283,100 *
24	76.1	75.5	257,500 *
26	74.4	74.9	235,600 *
28	72.7	74.2	216,700 *
30	70.9	73.5	200,100 *
80 Ft. Boom			
17	83.0	87.2	369,300 *
18	82.3	87.0	349,200 *
19	81.5	86.9	330,200 *
20	80.8	86.7	313,000 *
22	79.3	86.3	282,800 *
24	77.9	85.8	257,300 *
26	76.4	85.3	235,400 *
28	74.9	84.7	216,500 *
30	73.4	84.1	199,900 *
32	71.9	83.4	185,300 *
34	70.4	82.7	171,300 *
90 Ft. Boom			
19	82.5	97.0	329,400 *
20	81.8	96.8	312,900 *
22	80.5	96.5	282,700 *
24	79.2	96.1	257,200 *
26	77.9	95.6	235,300 *
28	76.6	95.1	216,400 *
30	75.3	94.6	199,800 *
32	74.0	93.9	185,200 *
34	72.6	93.3	172,100 *
36	71.3	92.6	156,100 *

Oper. Rad. Feet	Boom Ang. Deg.	Boom Point Elev. Feet	Boom Capacity Pounds
100 Ft. Boom			
20	82.7	107.0	312,900 *
22	81.5	106.6	282,700 *
24	80.3	106.3	257,200 *
26	79.2	105.9	235,400 *
28	78.0	105.4	216,500 *
30	76.8	104.9	200,000 *
32	75.6	104.4	185,400 *
34	74.4	103.8	172,400 *
36	73.2	103.2	156,700 *
38	72.0	102.5	143,000 *
40	70.8	101.8	131,100 *
110 Ft. Boom			
22	82.3	116.8	282,300 *
24	81.2	116.4	256,900 *
26	80.2	116.1	235,000 *
28	79.1	115.7	216,100 *
30	78.0	115.2	199,600 *
32	77.0	114.7	185,000 *
34	75.9	114.2	172,000 *
36	74.8	113.6	157,100 *
38	73.7	113.0	143,300 *
40	72.6	112.4	131,400 *
42	71.5	111.7	120,900 *
44	70.4	110.9	111,700 *
120 Ft. Boom			
22	82.9	126.9	275,700 *
24	82.0	126.6	256,600 *
26	81.0	126.2	234,800 *
28	80.0	125.9	215,900 *
30	79.1	125.4	199,400 *
32	78.1	125.0	184,800 *
34	77.1	124.5	171,800 *
36	76.1	124.0	157,300 *
38	75.1	123.5	143,500 *
40	74.1	122.9	131,600 *
42	73.1	122.2	121,100 *
44	72.1	121.6	111,900 *
46	71.1	120.9	103,700 *
48	70.1	120.1	96,400 *

Oper. Rad. Feet	Boom Ang. Deg.	Boom Point Elev. Feet	Boom Capacity Pounds
130 Ft. Boom			
24	82.6	136.7	241,400 *
26	81.7	136.4	234,600 *
28	80.8	136.0	215,800 *
30	79.9	135.7	199,300 *
32	79.0	135.2	184,700 *
34	78.1	134.8	171,800 *
36	77.2	134.3	157,700 *
38	76.3	133.8	143,900 *
40	75.4	133.3	131,900 *
42	74.4	132.7	121,400 *
44	73.5	132.1	112,200 *
46	72.6	131.4	104,000 *
48	71.7	130.8	96,600 *
50	70.7	130.1	90,000 *
140 Ft. Boom			
26	82.3	146.5	223,200 *
28	81.5	146.2	215,500 *
30	80.6	145.8	199,000 *
32	79.8	145.4	184,400 *
34	79.0	145.1	171,500 *
36	78.1	144.6	157,800 *
38	77.3	144.1	144,000 *
40	76.4	143.6	132,000 *
42	75.6	143.1	121,500 *
44	74.7	142.5	112,300 *
46	73.9	141.9	104,100 *
48	73.0	141.3	96,700 *
50	72.2	140.6	90,100 *
150 Ft. Boom			
26	82.8	156.6	199,100 *
28	82.0	156.3	194,200 *
30	81.3	156.0	189,500 *
32	80.5	155.6	183,800 *
34	79.7	155.2	170,900 *
36	78.9	154.8	157,900 *
38	78.2	154.4	144,100 *
40	77.4	153.9	132,100 *
42	76.6	153.4	121,500 *
44	75.8	152.9	112,300 *
46	75.0	152.4	104,000 *
48	74.2	151.8	96,600 *
50	73.4	151.2	90,000 *
55	71.4	149.5	76,000 *



Liftcrane Boom Capacities With Luffing Jib Attached

Meets
ANSI B30.5
Requirements

888 SERIES 2

Boom No. 22EL
Luffing Jib No. 135
179,100 Lb. Crane Counterweight
44,000 Lb. Carbody Counterweight
28 Ft. 2 in. Crawlers Extended
360 Degree Rating

70 Ft. Luffing Jib Attached At 140 Degree Boom To Luffing Jib Angle

Oper. Rad. Feet	Boom Ang. Deg.	Boom Point Elev. Feet	Boom Capacity Pounds
160 Ft. Boom			
28	82.5	166.4	184,800 *
30	81.8	166.1	180,300 *
32	81.1	165.8	175,900 *
34	80.4	165.4	170,400 *
36	79.6	165.1	157,900
38	78.9	164.6	144,000
40	78.2	164.2	132,000
42	77.4	163.7	121,500
44	76.7	163.2	112,200
46	75.9	162.7	103,900
48	75.2	162.2	96,500
50	74.5	161.6	89,900
55	72.6	160.1	75,800
60	70.7	158.3	64,600
170 Ft. Boom			
28	83.0	176.5	169,000 *
30	82.3	176.2	165,500 *
32	81.6	175.9	162,100 *
34	80.9	175.6	158,700 *
36	80.2	175.2	155,300 *
38	79.6	174.9	144,100
40	78.9	174.4	132,000
42	78.2	174.0	121,500
44	77.5	173.6	112,200
46	76.8	173.1	103,900
48	76.1	172.6	96,500
50	75.4	172.0	89,900
55	73.7	170.6	75,800
60	71.9	168.9	64,600
65	70.1	167.1	55,400

Oper. Rad. Feet	Boom Ang. Deg.	Boom Point Elev. Feet	Boom Capacity Pounds
180 Ft. Boom			
30	82.7	186.3	155,800 *
32	82.1	186.0	152,700 *
34	81.4	185.7	149,500 *
36	80.8	185.4	146,300 *
38	80.2	185.0	143,200 *
40	79.5	184.6	131,900
42	78.8	184.2	121,400
44	78.2	183.8	112,000
46	77.6	183.4	103,800
48	76.9	182.9	96,400
50	76.2	182.4	89,700
55	74.6	181.0	75,600
60	72.9	179.5	64,300
65	71.2	177.8	55,100
190 Ft. Boom			
32	82.5	196.1	118,000 *
34	81.9	195.9	118,000 *
36	81.3	195.5	118,000 *
38	80.7	195.2	118,000 *
40	80.1	194.8	118,000 *
42	79.4	194.4	118,000 *
44	78.8	194.0	112,500
46	78.2	193.6	104,200
48	77.6	193.1	96,800
50	77.0	192.7	90,100
55	75.4	191.4	76,000
60	73.8	189.9	64,700
65	72.3	188.4	55,400
70	70.7	186.6	47,700



Liftcrane Boom Capacities With Luffing Jib Attached

Meets
ANSI B30.5
Requirements

888 SERIES 2

Boom No. 22EL
Luffing Jib No. 135
179,100 Lb. Crane Counterweight
44,000 Lb. Carbody Counterweight
28 Ft. 2 in. Crawlers Extended
360 Degree Rating

80 Ft. Luffing Jib Attached At 150 Degree Boom To Luffing Jib Angle

Oper. Rad. Feet	Boom Ang. Deg.	Boom Point Elev. Feet	Boom Capacity Pounds
70 Ft. Boom			
16	82.8	77.2	394,200 *
17	82.0	77.1	370,700 *
18	81.1	76.9	349,500 *
19	80.3	76.7	330,300 *
20	79.5	76.5	312,900 *
22	77.8	76.0	282,400 *
24	76.1	75.5	256,700 *
26	74.4	74.9	234,700 *
28	72.7	74.2	215,600 *
30	70.9	73.5	198,900 *
32	69.2	72.7	184,100 *
34	67.4	71.8	169,100
36	65.6	70.9	153,200
80 Ft. Boom			
17	83.0	87.2	370,300 *
18	82.3	87.0	349,300 *
19	81.5	86.9	330,100 *
20	80.8	86.7	312,700 *
22	79.3	86.3	282,300 *
24	77.9	85.8	256,600 *
26	76.4	85.3	234,600 *
28	74.9	84.7	215,500 *
30	73.4	84.1	198,800 *
32	71.9	83.4	184,100 *
34	70.4	82.7	170,200
36	68.8	81.8	154,200
38	67.2	81.0	140,500
40	65.7	80.0	128,600
42	64.1	79.0	118,200
90 Ft. Boom			
19	82.5	97.0	330,100 *
20	81.8	96.8	312,700 *
22	80.5	96.5	282,400 *
24	79.2	96.1	256,700 *
26	77.9	95.6	234,700 *
28	76.6	95.1	215,600 *
30	75.3	94.6	198,900 *
32	74.0	93.9	184,200 *
34	72.6	93.3	171,200
36	71.3	92.6	155,100
38	69.9	91.8	141,300
40	68.6	91.0	129,400
42	67.2	90.1	119,000
44	65.8	89.2	109,800
46	64.3	88.2	101,600

Oper. Rad. Feet	Boom Ang. Deg.	Boom Point Elev. Feet	Boom Capacity Pounds
100 Ft. Boom			
20	82.7	107.0	312,900 *
22	81.5	106.6	282,500 *
24	80.3	106.3	256,900 *
26	79.2	105.9	234,900 *
28	78.0	105.4	215,800 *
30	76.8	104.9	199,200 *
32	75.6	104.4	184,500 *
34	74.4	103.8	171,500 *
36	73.2	103.2	155,800
38	72.0	102.5	142,100
40	70.8	101.8	130,100
42	69.6	101.0	119,700
44	68.3	100.2	110,400
46	67.1	99.3	102,200
48	65.8	98.4	94,900
50	64.6	97.4	88,300
110 Ft. Boom			
22	82.3	116.8	282,200 *
24	81.2	116.4	256,600 *
26	80.2	116.1	234,600 *
28	79.1	115.7	215,600 *
30	78.0	115.2	198,900 *
32	77.0	114.7	184,200 *
34	75.9	114.2	171,200 *
36	74.8	113.6	156,300
38	73.7	113.0	142,500
40	72.6	112.4	130,500
42	71.5	111.7	120,000
44	70.4	110.9	110,800
46	69.3	110.2	102,600
48	68.2	109.3	95,200
50	67.0	108.5	88,600
55	64.1	106.1	74,600

Oper. Rad. Feet	Boom Ang. Deg.	Boom Point Elev. Feet	Boom Capacity Pounds
120 Ft. Boom			
22	82.9	126.9	277,300 *
24	82.0	126.6	256,400 *
26	81.0	126.2	234,500 *
28	80.0	125.9	215,400 *
30	79.1	125.4	198,800 *
32	78.1	125.0	184,100 *
34	77.1	124.5	171,100 *
36	76.1	124.0	156,700
38	75.1	123.5	142,900
40	74.1	122.9	130,800
42	73.1	122.2	120,300
44	72.1	121.6	111,100
46	71.1	120.9	102,800
48	70.1	120.1	95,500
50	69.1	119.3	88,800
55	66.4	117.2	74,800
130 Ft. Boom			
24	82.6	136.7	243,700 *
26	81.7	136.4	234,400 *
28	80.8	136.0	215,400 *
30	79.9	135.7	198,800 *
32	79.0	135.2	184,100 *
34	78.1	134.8	171,100 *
36	77.2	134.3	157,100
38	76.3	133.8	143,300
40	75.4	133.3	131,200
42	74.4	132.7	120,700
44	73.5	132.1	111,400
46	72.6	131.4	103,200
48	71.7	130.8	95,800
50	70.7	130.1	89,100
55	68.4	128.1	75,100
60	66.0	125.9	63,900



Liftcrane Boom Capacities With Luffing Jib Attached

Meets
ANSI B30.5
Requirements

888 SERIES 2

Boom No. 22EL
Luffing Jib No. 135
179,100 Lb. Crane Counterweight
44,000 Lb. Carbody Counterweight
28 Ft. 2 in. Crawlers Extended
360 Degree Rating

80 Ft. Luffing Jib Attached At 150 Degree Boom To Luffing Jib Angle

Oper. Rad. Feet	Boom Ang. Deg.	Boom Point Elev. Feet	Boom Capacity Pounds
140 Ft. Boom			
26	82.3	146.5	225,600 *
28	81.5	146.2	215,200 *
30	80.6	145.8	198,600 *
32	79.8	145.4	183,900 *
34	79.0	145.1	170,900 *
36	78.1	144.6	157,400
38	77.3	144.1	143,500
40	76.4	143.6	131,400
42	75.6	143.1	120,900
44	74.7	142.5	111,600
46	73.9	141.9	103,300
48	73.0	141.3	95,900
50	72.2	140.6	89,300
55	70.0	138.9	75,200
60	67.8	136.8	64,000
65	65.5	134.6	54,800
150 Ft. Boom			
26	82.8	156.6	201,500 *
28	82.0	156.3	196,500 *
30	81.3	156.0	191,500 *
32	80.5	155.6	183,400 *
34	79.7	155.2	170,300 *
36	78.9	154.8	157,500
38	78.2	154.4	143,600
40	77.4	153.9	131,500
42	76.6	153.4	120,900
44	75.8	152.9	111,600
46	75.0	152.4	103,300
48	74.2	151.8	95,900
50	73.4	151.2	89,200
55	71.4	149.5	75,100
60	69.3	147.6	63,900
65	67.3	145.6	54,600
70	65.2	143.3	46,900

Oper. Rad. Feet	Boom Ang. Deg.	Boom Point Elev. Feet	Boom Capacity Pounds
160 Ft. Boom			
28	82.5	166.4	187,300 *
30	81.8	166.1	182,700 *
32	81.1	165.8	178,100 *
34	80.4	165.4	169,900 *
36	79.6	165.1	157,600
38	78.9	164.6	143,600
40	78.2	164.2	131,500
42	77.4	163.7	120,900
44	76.7	163.2	111,600
46	75.9	162.7	103,300
48	75.2	162.2	95,900
50	74.5	161.6	89,200
55	72.6	160.1	75,000
60	70.7	158.3	63,700
65	68.8	156.4	54,500
70	66.8	154.3	46,800
75	64.9	152.0	40,300
170 Ft. Boom			
28	83.0	176.5	171,600 *
30	82.3	176.2	167,900 *
32	81.6	175.9	164,300 *
34	80.9	175.6	160,800 *
36	80.2	175.2	157,200 *
38	79.6	174.9	143,700
40	78.9	174.4	131,600
42	78.2	174.0	121,000
44	77.5	173.6	111,600
46	76.8	173.1	103,300
48	76.1	172.6	95,900
50	75.4	172.0	89,200
55	73.7	170.6	75,100
60	71.9	168.9	63,800
65	70.1	167.1	54,500
70	68.3	165.2	46,800
75	66.4	163.0	40,300
80	64.6	160.6	34,700

Oper. Rad. Feet	Boom Ang. Deg.	Boom Point Elev. Feet	Boom Capacity Pounds
180 Ft. Boom			
30	82.7	186.3	158,500 *
32	82.1	186.0	155,200 *
34	81.4	185.7	151,800 *
36	80.8	185.4	148,500 *
38	80.2	185.0	143,700
40	79.5	184.6	131,500
42	78.8	184.2	120,900
44	78.2	183.8	111,500
46	77.6	183.4	103,200
48	76.9	182.9	95,800
50	76.2	182.4	89,100
55	74.6	181.0	74,900
60	72.9	179.5	63,600
65	71.2	177.8	54,300
70	69.5	175.9	46,600
75	67.8	173.9	40,100
80	66.1	171.7	34,400
85	64.3	169.3	29,600
190 Ft. Boom			
32	82.5	196.1	118,000 *
34	81.9	195.9	118,000 *
36	81.3	195.5	118,000 *
38	80.7	195.2	118,000 *
40	80.1	194.8	118,000 *
42	79.4	194.4	118,000 *
44	78.8	194.0	112,100
46	78.2	193.6	103,700
48	77.6	193.1	96,200
50	77.0	192.7	89,500
55	75.4	191.4	75,300
60	73.8	189.9	64,000
65	72.3	188.4	54,700
70	70.7	186.6	46,900
75	69.1	184.7	40,400
80	67.4	182.6	34,800
85	65.8	180.4	29,900
90	64.1	178.0	25,600



Liftcrane Boom Capacities With Luffing Jib Attached

Meets
ANSI B30.5
Requirements

888 SERIES 2

Boom No. 22EL
Luffing Jib No. 135
179,100 Lb. Crane Counterweight
44,000 Lb. Carbody Counterweight
28 Ft. 2 in. Crawlers Extended
360 Degree Rating

90 Ft. Luffing Jib Attached At 150 Degree Boom To Luffing Jib Angle

Oper. Rad. Feet	Boom Ang. Deg.	Boom Point Elev. Feet	Boom Capacity Pounds
70 Ft. Boom			
16	82.8	77.2	389,800 *
17	82.0	77.1	366,400 *
18	81.1	76.9	345,300 *
19	80.3	76.7	326,300 *
20	79.5	76.5	309,000 *
22	77.8	76.0	278,700 *
24	76.1	75.5	253,100 *
26	74.4	74.9	231,200 *
28	72.7	74.2	212,200 *
30	70.9	73.5	195,600 *
32	69.2	72.7	181,000 *
34	67.4	71.8	165,900
36	65.6	70.9	150,100
80 Ft. Boom			
17	83.0	87.2	366,300 *
18	82.3	87.0	345,200 *
19	81.5	86.9	326,200 *
20	80.8	86.7	308,900 *
22	79.3	86.3	278,700 *
24	77.9	85.8	253,100 *
26	76.4	85.3	231,200 *
28	74.9	84.7	212,300 *
30	73.4	84.1	195,700 *
32	71.9	83.4	181,100 *
34	70.4	82.7	167,100
36	68.8	81.8	151,200
38	67.2	81.0	137,700
40	65.7	80.0	125,900
42	64.1	79.0	115,600
90 Ft. Boom			
19	82.5	97.0	326,300 *
20	81.8	96.8	309,000 *
22	80.5	96.5	278,800 *
24	79.2	96.1	253,200 *
26	77.9	95.6	231,400 *
28	76.6	95.1	212,400 *
30	75.3	94.6	195,900 *
32	74.0	93.9	181,300 *
34	72.6	93.3	168,100
36	71.3	92.6	152,200
38	69.9	91.8	138,600
40	68.6	91.0	126,800
42	67.2	90.1	116,400
44	65.8	89.2	107,300
46	64.3	88.2	99,200

Oper. Rad. Feet	Boom Ang. Deg.	Boom Point Elev. Feet	Boom Capacity Pounds
100 Ft. Boom			
20	82.7	107.0	309,200 *
22	81.5	106.6	279,000 *
24	80.3	106.3	253,500 *
26	79.2	105.9	231,700 *
28	78.0	105.4	212,700 *
30	76.8	104.9	196,200 *
32	75.6	104.4	181,600 *
34	74.4	103.8	168,600 *
36	73.2	103.2	153,000
38	72.0	102.5	139,400
40	70.8	101.8	127,600
42	69.6	101.0	117,200
44	68.3	100.2	108,100
46	67.1	99.3	99,900
48	65.8	98.4	92,700
50	64.6	97.4	86,100
110 Ft. Boom			
22	82.3	116.8	278,800 *
24	81.2	116.4	253,300 *
26	80.2	116.1	231,400 *
28	79.1	115.7	212,500 *
30	78.0	115.2	196,000 *
32	77.0	114.7	181,400 *
34	75.9	114.2	168,400 *
36	74.8	113.6	153,600
38	73.7	113.0	139,900
40	72.6	112.4	128,000
42	71.5	111.7	117,600
44	70.4	110.9	108,500
46	69.3	110.2	100,300
48	68.2	109.3	93,000
50	67.0	108.5	86,400
55	64.1	106.1	72,600

Oper. Rad. Feet	Boom Ang. Deg.	Boom Point Elev. Feet	Boom Capacity Pounds
120 Ft. Boom			
22	82.9	126.9	274,400 *
24	82.0	126.6	253,200 *
26	81.0	126.2	231,300 *
28	80.0	125.9	212,400 *
30	79.1	125.4	195,900 *
32	78.1	125.0	181,300 *
34	77.1	124.5	168,400 *
36	76.1	124.0	154,000
38	75.1	123.5	140,300
40	74.1	122.9	128,400
42	73.1	122.2	118,000
44	72.1	121.6	108,800
46	71.1	120.9	100,600
48	70.1	120.1	93,300
50	69.1	119.3	86,700
55	66.4	117.2	72,800
130 Ft. Boom			
24	82.6	136.7	240,300 *
26	81.7	136.4	231,400 *
28	80.8	136.0	212,500 *
30	79.9	135.7	196,000 *
32	79.0	135.2	181,400 *
34	78.1	134.8	168,400 *
36	77.2	134.3	154,500
38	76.3	133.8	140,700
40	75.4	133.3	128,800
42	74.4	132.7	118,400
44	73.5	132.1	109,200
46	72.6	131.4	101,000
48	71.7	130.8	93,700
50	70.7	130.1	87,100
55	68.4	128.1	73,200
60	66.0	125.9	62,100



Liftcrane Boom Capacities With Luffing Jib Attached

Meets
ANSI B30.5
Requirements

888 SERIES 2

Boom No. 22EL
Luffing Jib No. 135
179,100 Lb. Crane Counterweight
44,000 Lb. Carbody Counterweight
28 Ft. 2 in. Crawlers Extended
360 Degree Rating

90 Ft. Luffing Jib Attached At 150 Degree Boom To Luffing Jib Angle

Oper. Rad. Feet	Boom Ang. Deg.	Boom Point Elev. Feet	Boom Capacity Pounds
140 Ft. Boom			
26	82.3	146.5	222,200 *
28	81.5	146.2	212,200 *
30	80.6	145.8	195,700 *
32	79.8	145.4	181,200 *
34	79.0	145.1	168,300 *
36	78.1	144.6	154,800
38	77.3	144.1	141,000
40	76.4	143.6	129,000
42	75.6	143.1	118,600
44	74.7	142.5	109,400
46	73.9	141.9	101,200
48	73.0	141.3	93,900
50	72.2	140.6	87,300
55	70.0	138.9	73,300
60	67.8	136.8	62,200
65	65.5	134.6	53,100
150 Ft. Boom			
26	82.8	156.6	198,300 *
28	82.0	156.3	193,300 *
30	81.3	156.0	188,400 *
32	80.5	155.6	180,700 *
34	79.7	155.2	167,700 *
36	78.9	154.8	155,000
38	78.2	154.4	141,200
40	77.4	153.9	129,200
42	76.6	153.4	118,700
44	75.8	152.9	109,500
46	75.0	152.4	101,200
48	74.2	151.8	93,900
50	73.4	151.2	87,300
55	71.4	149.5	73,300
60	69.3	147.6	62,100
65	67.3	145.6	53,000
70	65.2	143.3	45,300

Oper. Rad. Feet	Boom Ang. Deg.	Boom Point Elev. Feet	Boom Capacity Pounds
160 Ft. Boom			
28	82.5	166.4	184,000 *
30	81.8	166.1	179,400 *
32	81.1	165.8	174,900 *
34	80.4	165.4	167,400 *
36	79.6	165.1	155,000
38	78.9	164.6	141,200
40	78.2	164.2	129,200
42	77.4	163.7	118,700
44	76.7	163.2	109,400
46	75.9	162.7	101,200
48	75.2	162.2	93,900
50	74.5	161.6	87,200
55	72.6	160.1	73,200
60	70.7	158.3	62,000
65	68.8	156.4	52,900
70	66.8	154.3	45,200
75	64.9	152.0	38,800
170 Ft. Boom			
28	83.0	176.5	168,400 *
30	82.3	176.2	164,900 *
32	81.6	175.9	161,300 *
34	80.9	175.6	157,700 *
36	80.2	175.2	154,200 *
38	79.6	174.9	141,300
40	78.9	174.4	129,300
42	78.2	174.0	118,800
44	77.5	173.6	109,500
46	76.8	173.1	101,300
48	76.1	172.6	93,900
50	75.4	172.0	87,300
55	73.7	170.6	73,300
60	71.9	168.9	62,100
65	70.1	167.1	52,900
70	68.3	165.2	45,300
75	66.4	163.0	38,800
80	64.6	160.6	33,200

Oper. Rad. Feet	Boom Ang. Deg.	Boom Point Elev. Feet	Boom Capacity Pounds
180 Ft. Boom			
30	82.7	186.3	155,400 *
32	82.1	186.0	152,100 *
34	81.4	185.7	148,700 *
36	80.8	185.4	145,500 *
38	80.2	185.0	141,300
40	79.5	184.6	129,300
42	78.8	184.2	118,700
44	78.2	183.8	109,500
46	77.6	183.4	101,200
48	76.9	182.9	93,800
50	76.2	182.4	87,200
55	74.6	181.0	73,100
60	72.9	179.5	61,900
65	71.2	177.8	52,700
70	69.5	175.9	45,100
75	67.8	173.9	38,600
80	66.1	171.7	33,000
85	64.3	169.3	28,200
190 Ft. Boom			
32	82.5	196.1	118,000 *
34	81.9	195.9	118,000 *
36	81.3	195.5	118,000 *
38	80.7	195.2	118,000 *
40	80.1	194.8	118,000 *
42	79.4	194.4	118,000 *
44	78.8	194.0	110,000
46	78.2	193.6	101,700
48	77.6	193.1	94,300
50	77.0	192.7	87,700
55	75.4	191.4	73,600
60	73.8	189.9	62,300
65	72.3	188.4	53,100
70	70.7	186.6	45,400
75	69.1	184.7	38,900
80	67.4	182.6	33,400
85	65.8	180.4	28,500
90	64.1	178.0	24,300



Liftcrane Boom Capacities With Luffing Jib Attached

Meets
ANSI B30.5
Requirements

888 SERIES 2

Boom No. 22EL
Luffing Jib No. 135
179,100 Lb. Crane Counterweight
44,000 Lb. Carbody Counterweight
28 Ft. 2 in. Crawlers Extended
360 Degree Rating

100 Ft. Luffing Jib Attached At 160 Degree Boom To Luffing Jib Angle

Oper. Rad. Feet	Boom Ang. Deg.	Boom Point Elev. Feet	Boom Capacity Pounds
70 Ft. Boom			
16	82.8	77.2	393,000 *
17	82.0	77.1	369,200 *
18	81.1	76.9	347,900 *
19	80.3	76.7	328,500 *
20	79.5	76.5	310,900 *
22	77.8	76.0	280,200 *
24	76.1	75.5	254,200 *
26	74.4	74.9	232,000 *
28	72.7	74.2	212,700 *
30	70.9	73.5	195,800 *
32	69.2	72.7	180,900 *
34	67.4	71.8	165,900
36	65.6	70.9	149,900
38	63.7	69.8	136,200
40	61.8	68.7	124,300
42	60.0	67.5	113,900
44	58.0	66.2	104,700
80 Ft. Boom			
17	83.0	87.2	369,300 *
18	82.3	87.0	347,900 *
19	81.5	86.9	328,600 *
20	80.8	86.7	311,100 *
22	79.3	86.3	280,400 *
24	77.9	85.8	254,500 *
26	76.4	85.3	232,200 *
28	74.9	84.7	213,000 *
30	73.4	84.1	196,200 *
32	71.9	83.4	181,300 *
34	70.4	82.7	167,400
36	68.8	81.8	151,400
38	67.2	81.0	137,600
40	65.7	80.0	125,600
42	64.1	79.0	115,200
44	62.4	77.9	106,000
46	60.8	76.8	97,800
48	59.1	75.6	90,400
50	57.4	74.2	83,800

Oper. Rad. Feet	Boom Ang. Deg.	Boom Point Elev. Feet	Boom Capacity Pounds
90 Ft. Boom			
19	82.5	97.0	328,800 *
20	81.8	96.8	311,300 *
22	80.5	96.5	280,700 *
24	79.2	96.1	254,700 *
26	77.9	95.6	232,600 *
28	76.6	95.1	213,300 *
30	75.3	94.6	196,500 *
32	74.0	93.9	181,700 *
34	72.6	93.3	168,500 *
36	71.3	92.6	152,600
38	69.9	91.8	138,800
40	68.6	91.0	126,800
42	67.2	90.1	116,300
44	65.8	89.2	107,000
46	64.3	88.2	98,800
48	62.9	87.2	91,400
50	61.4	86.0	84,800
55	57.7	82.9	70,800
100 Ft. Boom			
20	82.7	107.0	311,600 *
22	81.5	106.6	281,000 *
24	80.3	106.3	255,100 *
26	79.2	105.9	233,000 *
28	78.0	105.4	213,800 *
30	76.8	104.9	197,000 *
32	75.6	104.4	182,200 *
34	74.4	103.8	169,000 *
36	73.2	103.2	153,600
38	72.0	102.5	139,700
40	70.8	101.8	127,700
42	69.6	101.0	117,200
44	68.3	100.2	108,000
46	67.1	99.3	99,700
48	65.8	98.4	92,300
50	64.6	97.4	85,700
55	61.3	94.7	71,700
60	57.9	91.6	60,400

Oper. Rad. Feet	Boom Ang. Deg.	Boom Point Elev. Feet	Boom Capacity Pounds
110 Ft. Boom			
22	82.3	116.8	280,900 *
24	81.2	116.4	255,000 *
26	80.2	116.1	232,900 *
28	79.1	115.7	213,700 *
30	78.0	115.2	196,900 *
32	77.0	114.7	182,100 *
34	75.9	114.2	169,000 *
36	74.8	113.6	154,300
38	73.7	113.0	140,400
40	72.6	112.4	128,400
42	71.5	111.7	117,800
44	70.4	110.9	108,500
46	69.3	110.2	100,200
48	68.2	109.3	92,800
50	67.0	108.5	86,200
55	64.1	106.1	72,100
60	61.2	103.3	60,800
65	58.1	100.3	51,600
120 Ft. Boom			
22	82.9	126.9	278,500 *
24	82.0	126.6	255,000 *
26	81.0	126.2	232,900 *
28	80.0	125.9	213,700 *
30	79.1	125.4	196,900 *
32	78.1	125.0	182,200 *
34	77.1	124.5	169,000 *
36	76.1	124.0	154,800
38	75.1	123.5	140,900
40	74.1	122.9	128,900
42	73.1	122.2	118,300
44	72.1	121.6	109,000
46	71.1	120.9	100,700
48	70.1	120.1	93,300
50	69.1	119.3	86,600
55	66.4	117.2	72,500
60	63.8	114.7	61,200
65	61.1	112.0	52,000
70	58.3	109.0	44,300



Liftcrane Boom Capacities With Luffing Jib Attached

Meets
ANSI B30.5
Requirements

888 SERIES 2

Boom No. 22EL
Luffing Jib No. 135
179,100 Lb. Crane Counterweight
44,000 Lb. Carbody Counterweight
28 Ft. 2 in. Crawlers Extended
360 Degree Rating

100 Ft. Luffing Jib Attached At 160 Degree Boom To Luffing Jib Angle

Oper. Rad. Feet	Boom Ang. Deg.	Boom Point Elev. Feet	Boom Capacity Pounds
130 Ft. Boom			
24	82.6	136.7	245,400 *
26	81.7	136.4	233,000 *
28	80.8	136.0	213,800 *
30	79.9	135.7	197,100 *
32	79.0	135.2	182,300 *
34	78.1	134.8	169,200 *
36	77.2	134.3	155,400
38	76.3	133.8	141,500
40	75.4	133.3	129,400
42	74.4	132.7	118,800
44	73.5	132.1	109,500
46	72.6	131.4	101,200
48	71.7	130.8	93,800
50	70.7	130.1	87,100
55	68.4	128.1	73,000
60	66.0	125.9	61,700
65	63.5	123.4	52,400
70	61.0	120.7	44,700
75	58.4	117.6	38,200
140 Ft. Boom			
26	82.3	146.5	227,500 *
28	81.5	146.2	213,700 *
30	80.6	145.8	196,900 *
32	79.8	145.4	182,200 *
34	79.0	145.1	169,100 *
36	78.1	144.6	155,800
38	77.3	144.1	141,800
40	76.4	143.6	129,700
42	75.6	143.1	119,100
44	74.7	142.5	109,800
46	73.9	141.9	101,500
48	73.0	141.3	94,000
50	72.2	140.6	87,300
55	70.0	138.9	73,200
60	67.8	136.8	61,900
65	65.5	134.6	52,600
70	63.3	132.1	44,900
75	60.9	129.3	38,400
80	58.5	126.3	32,800

Oper. Rad. Feet	Boom Ang. Deg.	Boom Point Elev. Feet	Boom Capacity Pounds
150 Ft. Boom			
26	82.8	156.6	203,500 *
28	82.0	156.3	198,300 *
30	81.3	156.0	193,100 *
32	80.5	155.6	181,700 *
34	79.7	155.2	168,600 *
36	78.9	154.8	156,100
38	78.2	154.4	142,000
40	77.4	153.9	129,900
42	76.6	153.4	119,300
44	75.8	152.9	109,900
46	75.0	152.4	101,600
48	74.2	151.8	94,100
50	73.4	151.2	87,400
55	71.4	149.5	73,200
60	69.3	147.6	61,900
65	67.3	145.6	52,600
70	65.2	143.3	44,900
75	63.0	140.7	38,300
80	60.9	138.0	32,700
85	58.6	135.0	27,800
160 Ft. Boom			
28	82.5	166.4	189,500 *
30	81.8	166.1	184,600 *
32	81.1	165.8	179,800 *
34	80.4	165.4	168,300 *
36	79.6	165.1	156,200
38	78.9	164.6	142,200
40	78.2	164.2	130,000
42	77.4	163.7	119,400
44	76.7	163.2	110,000
46	75.9	162.7	101,600
48	75.2	162.2	94,200
50	74.5	161.6	87,400
55	72.6	160.1	73,200
60	70.7	158.3	61,900
65	68.8	156.4	52,600
70	66.8	154.3	44,800
75	64.9	152.0	38,300
80	62.8	149.4	32,700
85	60.8	146.6	27,800
90	58.7	143.6	23,500

Oper. Rad. Feet	Boom Ang. Deg.	Boom Point Elev. Feet	Boom Capacity Pounds
170 Ft. Boom			
28	83.0	176.5	173,800 *
30	82.3	176.2	170,000 *
32	81.6	175.9	166,200 *
34	80.9	175.6	162,400 *
36	80.2	175.2	156,400
38	79.6	174.9	142,300
40	78.9	174.4	130,200
42	78.2	174.0	119,500
44	77.5	173.6	110,100
46	76.8	173.1	101,800
48	76.1	172.6	94,300
50	75.4	172.0	87,600
55	73.7	170.6	73,300
60	71.9	168.9	62,000
65	70.1	167.1	52,700
70	68.3	165.2	44,900
75	66.4	163.0	38,400
80	64.6	160.6	32,700
85	62.7	158.1	27,800
90	60.8	155.3	23,600
95	58.8	152.3	19,800



Liftcrane Boom Capacities With Luffing Jib Attached

Meets
 ANSI B30.5
 Requirements

888 SERIES 2

Boom No. 22EL
Luffing Jib No. 135
179,100 Lb. Crane Counterweight
44,000 Lb. Carbody Counterweight
28 Ft. 2 in. Crawlers Extended
360 Degree Rating

100 Ft. Luffing Jib Attached At 160 Degree Boom To Luffing Jib Angle

Oper. Rad. Feet	Boom Ang. Deg.	Boom Point Elev. Feet	Boom Capacity Pounds
180 Ft. Boom			
30	82.7	186.3	160,900 *
32	82.1	186.0	157,300 *
34	81.4	185.7	153,800 *
36	80.8	185.4	150,300 *
38	80.2	185.0	142,400
40	79.5	184.6	130,200
42	78.8	184.2	119,500
44	78.2	183.8	110,100
46	77.6	183.4	101,700
48	76.9	182.9	94,200
50	76.2	182.4	87,500
55	74.6	181.0	73,300
60	72.9	179.5	61,900
65	71.2	177.8	52,600
70	69.5	175.9	44,800
75	67.8	173.9	38,200
80	66.1	171.7	32,600
85	64.3	169.3	27,700
90	62.5	166.7	23,400
95	60.7	164.0	19,600
100	58.9	161.0	16,300

Oper. Rad. Feet	Boom Ang. Deg.	Boom Point Elev. Feet	Boom Capacity Pounds
190 Ft. Boom			
32	82.5	196.1	118,000 *
34	81.9	195.9	118,000 *
36	81.3	195.5	118,000 *
38	80.7	195.2	118,000 *
40	80.1	194.8	118,000 *
42	79.4	194.4	118,000 *
44	78.8	194.0	110,700
46	78.2	193.6	102,300
48	77.6	193.1	94,800
50	77.0	192.7	88,000
55	75.4	191.4	73,700
60	73.8	189.9	62,300
65	72.3	188.4	53,000
70	70.7	186.6	45,200
75	69.1	184.7	38,600
80	67.4	182.6	33,000
85	65.8	180.4	28,100
90	64.1	178.0	23,800
95	62.4	175.4	20,000
100	60.7	172.6	16,600
105	58.9	169.6	13,600
110	57.1	166.4	10,900



Liftcrane Boom Capacities With Luffing Jib Attached

Meets
ANSI B30.5
Requirements

888 SERIES 2

Boom No. 22EL
Luffing Jib No. 135
179,100 Lb. Crane Counterweight
44,000 Lb. Carbody Counterweight
28 Ft. 2 in. Crawlers Extended
360 Degree Rating

110 Ft. Luffing Jib Attached At 160 Degree Boom To Luffing Jib Angle

Oper. Rad. Feet	Boom Ang. Deg.	Boom Point Elev. Feet	Boom Capacity Pounds
70 Ft. Boom			
16	82.8	77.2	390,100 *
17	82.0	77.1	366,400 *
18	81.1	76.9	345,100 *
19	80.3	76.7	325,800 *
20	79.5	76.5	308,300 *
22	77.8	76.0	277,700 *
24	76.1	75.5	251,800 *
26	74.4	74.9	229,600 *
28	72.7	74.2	210,400 *
30	70.9	73.5	193,600 *
32	69.2	72.7	178,700 *
34	67.4	71.8	163,500 *
36	65.6	70.9	147,600 *
38	63.7	69.8	134,000 *
40	61.8	68.7	122,200 *
42	60.0	67.5	111,900 *
44	58.0	66.2	102,800 *
80 Ft. Boom			
17	83.0	87.2	366,500 *
18	82.3	87.0	345,200 *
19	81.5	86.9	326,000 *
20	80.8	86.7	308,500 *
22	79.3	86.3	278,000 *
24	77.9	85.8	252,100 *
26	76.4	85.3	230,000 *
28	74.9	84.7	210,800 *
30	73.4	84.1	194,000 *
32	71.9	83.4	179,200 *
34	70.4	82.7	165,200 *
36	68.8	81.8	149,200 *
38	67.2	81.0	135,500 *
40	65.7	80.0	123,700 *
42	64.1	79.0	113,300 *
44	62.4	77.9	104,100 *
46	60.8	76.8	96,000 *
48	59.1	75.6	88,700 *
50	57.4	74.2	82,200 *

Oper. Rad. Feet	Boom Ang. Deg.	Boom Point Elev. Feet	Boom Capacity Pounds
90 Ft. Boom			
19	82.5	97.0	326,300 *
20	81.8	96.8	308,800 *
22	80.5	96.5	278,300 *
24	79.2	96.1	252,500 *
26	77.9	95.6	230,400 *
28	76.6	95.1	211,200 *
30	75.3	94.6	194,500 *
32	74.0	93.9	179,700 *
34	72.6	93.3	166,600 *
36	71.3	92.6	150,600 *
38	69.9	91.8	136,800 *
40	68.6	91.0	124,900 *
42	67.2	90.1	114,500 *
44	65.8	89.2	105,300 *
46	64.3	88.2	97,100 *
48	62.9	87.2	89,800 *
50	61.4	86.0	83,200 *
55	57.7	82.9	69,300 *
100 Ft. Boom			
20	82.7	107.0	309,200 *
22	81.5	106.6	278,700 *
24	80.3	106.3	252,900 *
26	79.2	105.9	230,900 *
28	78.0	105.4	211,800 *
30	76.8	104.9	195,000 *
32	75.6	104.4	180,300 *
34	74.4	103.8	167,200 *
36	73.2	103.2	151,600 *
38	72.0	102.5	137,900 *
40	70.8	101.8	126,000 *
42	69.6	101.0	115,500 *
44	68.3	100.2	106,300 *
46	67.1	99.3	98,100 *
48	65.8	98.4	90,800 *
50	64.6	97.4	84,200 *
55	61.3	94.7	70,300 *
60	57.9	91.6	59,100 *

Oper. Rad. Feet	Boom Ang. Deg.	Boom Point Elev. Feet	Boom Capacity Pounds
110 Ft. Boom			
22	82.3	116.8	278,600 *
24	81.2	116.4	252,900 *
26	80.2	116.1	230,800 *
28	79.1	115.7	211,700 *
30	78.0	115.2	195,000 *
32	77.0	114.7	180,300 *
34	75.9	114.2	167,200 *
36	74.8	113.6	152,400 *
38	73.7	113.0	138,600 *
40	72.6	112.4	126,600 *
42	71.5	111.7	116,200 *
44	70.4	110.9	106,900 *
46	69.3	110.2	98,700 *
48	68.2	109.3	91,400 *
50	67.0	108.5	84,700 *
55	64.1	106.1	70,800 *
60	61.2	103.3	59,600 *
65	58.1	100.3	50,400 *
120 Ft. Boom			
22	82.9	126.9	276,900 *
24	82.0	126.6	252,900 *
26	81.0	126.2	230,900 *
28	80.0	125.9	211,800 *
30	79.1	125.4	195,100 *
32	78.1	125.0	180,400 *
34	77.1	124.5	167,300 *
36	76.1	124.0	153,000 *
38	75.1	123.5	139,200 *
40	74.1	122.9	127,200 *
42	73.1	122.2	116,700 *
44	72.1	121.6	107,400 *
46	71.1	120.9	99,200 *
48	70.1	120.1	91,800 *
50	69.1	119.3	85,200 *
55	66.4	117.2	71,200 *
60	63.8	114.7	60,000 *
65	61.1	112.0	50,800 *
70	58.3	109.0	43,200 *



Liftcrane Boom Capacities With Luffing Jib Attached

Meets
 ANSI B30.5
 Requirements

888 SERIES 2

Boom No. 22EL
Luffing Jib No. 135
179,100 Lb. Crane Counterweight
44,000 Lb. Carbody Counterweight
28 Ft. 2 in. Crawlers Extended
360 Degree Rating

110 Ft. Luffing Jib Attached At 160 Degree Boom To Luffing Jib Angle

Oper. Rad. Feet	Boom Ang. Deg.	Boom Point Elev. Feet	Boom Capacity Pounds
130 Ft. Boom			
24	82.6	136.7	243,700 *
26	81.7	136.4	231,000 *
28	80.8	136.0	211,900 *
30	79.9	135.7	195,300 *
32	79.0	135.2	180,600 *
34	78.1	134.8	167,500 *
36	77.2	134.3	153,600
38	76.3	133.8	139,800
40	75.4	133.3	127,800
42	74.4	132.7	117,300
44	73.5	132.1	108,000
46	72.6	131.4	99,700
48	71.7	130.8	92,400
50	70.7	130.1	85,700
55	68.4	128.1	71,700
60	66.0	125.9	60,500
65	63.5	123.4	51,300
70	61.0	120.7	43,700
75	58.4	117.6	37,200
140 Ft. Boom			
26	82.3	146.5	225,700 *
28	81.5	146.2	211,800 *
30	80.6	145.8	195,200 *
32	79.8	145.4	180,500 *
34	79.0	145.1	167,400 *
36	78.1	144.6	154,000
38	77.3	144.1	140,100
40	76.4	143.6	128,100
42	75.6	143.1	117,600
44	74.7	142.5	108,300
46	73.9	141.9	100,100
48	73.0	141.3	92,700
50	72.2	140.6	86,000
55	70.0	138.9	72,000
60	67.8	136.8	60,800
65	65.5	134.6	51,600
70	63.3	132.1	43,900
75	60.9	129.3	37,400
80	58.5	126.3	31,800

Oper. Rad. Feet	Boom Ang. Deg.	Boom Point Elev. Feet	Boom Capacity Pounds
150 Ft. Boom			
26	82.8	156.6	201,900 *
28	82.0	156.3	196,600 *
30	81.3	156.0	191,400 *
32	80.5	155.6	180,100 *
34	79.7	155.2	167,000 *
36	78.9	154.8	154,400
38	78.2	154.4	140,400
40	77.4	153.9	128,400
42	76.6	153.4	117,800
44	75.8	152.9	108,500
46	75.0	152.4	100,200
48	74.2	151.8	92,800
50	73.4	151.2	86,100
55	71.4	149.5	72,000
60	69.3	147.6	60,800
65	67.3	145.6	51,600
70	65.2	143.3	43,900
75	63.0	140.7	37,400
80	60.9	138.0	31,800
85	58.6	135.0	26,900
160 Ft. Boom			
28	82.5	166.4	187,700 *
30	81.8	166.1	182,900 *
32	81.1	165.8	178,100 *
34	80.4	165.4	166,700 *
36	79.6	165.1	154,500
38	78.9	164.6	140,600
40	78.2	164.2	128,500
42	77.4	163.7	117,900
44	76.7	163.2	108,600
46	75.9	162.7	100,300
48	75.2	162.2	92,900
50	74.5	161.6	86,200
55	72.6	160.1	72,100
60	70.7	158.3	60,800
65	68.8	156.4	51,600
70	66.8	154.3	43,900
75	64.9	152.0	37,300
80	62.8	149.4	31,800
85	60.8	146.6	26,900
90	58.7	143.6	22,700

Oper. Rad. Feet	Boom Ang. Deg.	Boom Point Elev. Feet	Boom Capacity Pounds
170 Ft. Boom			
28	83.0	176.5	172,200 *
30	82.3	176.2	168,400 *
32	81.6	175.9	164,500 *
34	80.9	175.6	160,800 *
36	80.2	175.2	154,700
38	79.6	174.9	140,800
40	78.9	174.4	128,700
42	78.2	174.0	118,100
44	77.5	173.6	108,800
46	76.8	173.1	100,500
48	76.1	172.6	93,000
50	75.4	172.0	86,300
55	73.7	170.6	72,200
60	71.9	168.9	60,900
65	70.1	167.1	51,700
70	68.3	165.2	44,000
75	66.4	163.0	37,400
80	64.6	160.6	31,800
85	62.7	158.1	27,000
90	60.8	155.3	22,800
95	58.8	152.3	19,000



Liftcrane Boom Capacities With Luffing Jib Attached

Meets
ANSI B30.5
Requirements

888 SERIES 2

Boom No. 22EL
Luffing Jib No. 135
179,100 Lb. Crane Counterweight
44,000 Lb. Carbody Counterweight
28 Ft. 2 in. Crawlers Extended
360 Degree Rating

110 Ft. Luffing Jib Attached At 160 Degree Boom To Luffing Jib Angle

Oper. Rad. Feet	Boom Ang. Deg.	Boom Point Elev. Feet	Boom Capacity Pounds
180 Ft. Boom			
30	82.7	186.3	159,200 *
32	82.1	186.0	155,700 *
34	81.4	185.7	152,100 *
36	80.8	185.4	148,600 *
38	80.2	185.0	140,800
40	79.5	184.6	128,700
42	78.8	184.2	118,100
44	78.2	183.8	108,700
46	77.6	183.4	100,400
48	76.9	182.9	93,000
50	76.2	182.4	86,300
55	74.6	181.0	72,200
60	72.9	179.5	60,800
65	71.2	177.8	51,600
70	69.5	175.9	43,900
75	67.8	173.9	37,300
80	66.1	171.7	31,700
85	64.3	169.3	26,900
90	62.5	166.7	22,600
95	60.7	164.0	18,900
100	58.9	161.0	15,500

Oper. Rad. Feet	Boom Ang. Deg.	Boom Point Elev. Feet	Boom Capacity Pounds
190 Ft. Boom			
32	82.5	196.1	118,000 *
34	81.9	195.9	118,000 *
36	81.3	195.5	118,000 *
38	80.7	195.2	118,000 *
40	80.1	194.8	118,000 *
42	79.4	194.4	118,000 *
44	78.8	194.0	109,400
46	78.2	193.6	101,000
48	77.6	193.1	93,600
50	77.0	192.7	86,800
55	75.4	191.4	72,700
60	73.8	189.9	61,300
65	72.3	188.4	52,000
70	70.7	186.6	44,300
75	69.1	184.7	37,700
80	67.4	182.6	32,100
85	65.8	180.4	27,200
90	64.1	178.0	23,000
95	62.4	175.4	19,200
100	60.7	172.6	15,900
105	58.9	169.6	12,900
110	57.1	166.4	10,200



Liftcrane Boom Capacities With Luffing Jib Attached

Meets
 ANSI B30.5
 Requirements

888 SERIES 2

Boom No. 22EL
Luffing Jib No. 135
179,100 Lb. Crane Counterweight
44,000 Lb. Carbody Counterweight
28 Ft. 2 in. Crawlers Extended
360 Degree Rating

120 Ft. Luffing Jib Attached At 160 Degree Boom To Luffing Jib Angle

Oper. Rad. Feet	Boom Ang. Deg.	Boom Point Elev. Feet	Boom Capacity Pounds
70 Ft. Boom			
16	82.8	77.2	385,700 *
17	82.0	77.1	362,100 *
18	81.1	76.9	340,800 *
19	80.3	76.7	321,600 *
20	79.5	76.5	304,200 *
22	77.8	76.0	273,700 *
24	76.1	75.5	247,900 *
26	74.4	74.9	225,800 *
28	72.7	74.2	206,600 *
30	70.9	73.5	189,900 *
32	69.2	72.7	175,100 *
34	67.4	71.8	159,900
36	65.6	70.9	144,100
38	63.7	69.8	130,600
40	61.8	68.7	118,900
42	60.0	67.5	108,600
44	58.0	66.2	99,600
80 Ft. Boom			
17	83.0	87.2	362,300 *
18	82.3	87.0	341,100 *
19	81.5	86.9	321,900 *
20	80.8	86.7	304,500 *
22	79.3	86.3	274,100 *
24	77.9	85.8	248,300 *
26	76.4	85.3	226,300 *
28	74.9	84.7	207,200 *
30	73.4	84.1	190,500 *
32	71.9	83.4	175,800 *
34	70.4	82.7	161,700
36	68.8	81.8	145,900
38	67.2	81.0	132,300
40	65.7	80.0	120,500
42	64.1	79.0	110,200
44	62.4	77.9	101,200
46	60.8	76.8	93,100
48	59.1	75.6	85,900
50	57.4	74.2	79,300

Oper. Rad. Feet	Boom Ang. Deg.	Boom Point Elev. Feet	Boom Capacity Pounds
90 Ft. Boom			
19	82.5	97.0	322,300 *
20	81.8	96.8	304,900 *
22	80.5	96.5	274,500 *
24	79.2	96.1	248,800 *
26	77.9	95.6	226,800 *
28	76.6	95.1	207,800 *
30	75.3	94.6	191,100 *
32	74.0	93.9	176,400 *
34	72.6	93.3	163,200
36	71.3	92.6	147,300
38	69.9	91.8	133,700
40	68.6	91.0	121,900
42	67.2	90.1	111,600
44	65.8	89.2	102,400
46	64.3	88.2	94,300
48	62.9	87.2	87,100
50	61.4	86.0	80,500
55	57.7	82.9	66,800
100 Ft. Boom			
20	82.7	107.0	305,400 *
22	81.5	106.6	275,100 *
24	80.3	106.3	249,400 *
26	79.2	105.9	227,400 *
28	78.0	105.4	208,400 *
30	76.8	104.9	191,700 *
32	75.6	104.4	177,100 *
34	74.4	103.8	164,000 *
36	73.2	103.2	148,500
38	72.0	102.5	134,900
40	70.8	101.8	123,100
42	69.6	101.0	112,700
44	68.3	100.2	103,600
46	67.1	99.3	95,400
48	65.8	98.4	88,200
50	64.6	97.4	81,600
55	61.3	94.7	67,800
60	57.9	91.6	56,800

Oper. Rad. Feet	Boom Ang. Deg.	Boom Point Elev. Feet	Boom Capacity Pounds
110 Ft. Boom			
22	82.3	116.8	275,000 *
24	81.2	116.4	249,400 *
26	80.2	116.1	227,400 *
28	79.1	115.7	208,400 *
30	78.0	115.2	191,800 *
32	77.0	114.7	177,100 *
34	75.9	114.2	164,100 *
36	74.8	113.6	149,400
38	73.7	113.0	135,700
40	72.6	112.4	123,800
42	71.5	111.7	113,400
44	70.4	110.9	104,300
46	69.3	110.2	96,100
48	68.2	109.3	88,800
50	67.0	108.5	82,200
55	64.1	106.1	68,400
60	61.2	103.3	57,300
65	58.1	100.3	48,200
120 Ft. Boom			
22	82.9	126.9	273,900 *
24	82.0	126.6	249,500 *
26	81.0	126.2	227,600 *
28	80.0	125.9	208,600 *
30	79.1	125.4	191,900 *
32	78.1	125.0	177,300 *
34	77.1	124.5	164,300 *
36	76.1	124.0	150,100
38	75.1	123.5	136,400
40	74.1	122.9	124,500
42	73.1	122.2	114,000
44	72.1	121.6	104,900
46	71.1	120.9	96,700
48	70.1	120.1	89,400
50	69.1	119.3	82,800
55	66.4	117.2	68,900
60	63.8	114.7	57,800
65	61.1	112.0	48,700
70	58.3	109.0	41,100



Liftcrane Boom Capacities With Luffing Jib Attached

Meets
ANSI B30.5
Requirements

888 SERIES 2

Boom No. 22EL
Luffing Jib No. 135
179,100 Lb. Crane Counterweight
44,000 Lb. Carbody Counterweight
28 Ft. 2 in. Crawlers Extended
360 Degree Rating

120 Ft. Luffing Jib Attached At 160 Degree Boom To Luffing Jib Angle

Oper. Rad. Feet	Boom Ang. Deg.	Boom Point Elev. Feet	Boom Capacity Pounds
130 Ft. Boom			
24	82.6	136.7	240,200 *
26	81.7	136.4	227,800 *
28	80.8	136.0	208,800 *
30	79.9	135.7	192,200 *
32	79.0	135.2	177,500 *
34	78.1	134.8	164,500 *
36	77.2	134.3	150,800
38	76.3	133.8	137,000
40	75.4	133.3	125,100
42	74.4	132.7	114,700
44	73.5	132.1	105,500
46	72.6	131.4	97,300
48	71.7	130.8	90,000
50	70.7	130.1	83,400
55	68.4	128.1	69,500
60	66.0	125.9	58,300
65	63.5	123.4	49,200
70	61.0	120.7	41,600
75	58.4	117.6	35,200
140 Ft. Boom			
26	82.3	146.5	222,100 *
28	81.5	146.2	208,700 *
30	80.6	145.8	192,100 *
32	79.8	145.4	177,500 *
34	79.0	145.1	164,500 *
36	78.1	144.6	151,200
38	77.3	144.1	137,500
40	76.4	143.6	125,500
42	75.6	143.1	115,100
44	74.7	142.5	105,900
46	73.9	141.9	97,700
48	73.0	141.3	90,300
50	72.2	140.6	83,700
55	70.0	138.9	69,800
60	67.8	136.8	58,600
65	65.5	134.6	49,500
70	63.3	132.1	41,900
75	60.9	129.3	35,500
80	58.5	126.3	30,000

Oper. Rad. Feet	Boom Ang. Deg.	Boom Point Elev. Feet	Boom Capacity Pounds
150 Ft. Boom			
26	82.8	156.6	198,500 *
28	82.0	156.3	193,200 *
30	81.3	156.0	188,000 *
32	80.5	155.6	177,100 *
34	79.7	155.2	164,100 *
36	78.9	154.8	151,600
38	78.2	154.4	137,800
40	77.4	153.9	125,800
42	76.6	153.4	115,300
44	75.8	152.9	106,100
46	75.0	152.4	97,900
48	74.2	151.8	90,500
50	73.4	151.2	83,900
55	71.4	149.5	69,900
60	69.3	147.6	58,700
65	67.3	145.6	49,600
70	65.2	143.3	41,900
75	63.0	140.7	35,500
80	60.9	138.0	29,900
85	58.6	135.0	25,100
160 Ft. Boom			
28	82.5	166.4	184,300 *
30	81.8	166.1	179,400 *
32	81.1	165.8	174,600 *
34	80.4	165.4	163,900 *
36	79.6	165.1	151,800
38	78.9	164.6	138,000
40	78.2	164.2	126,000
42	77.4	163.7	115,500
44	76.7	163.2	106,200
46	75.9	162.7	98,000
48	75.2	162.2	90,600
50	74.5	161.6	84,000
55	72.6	160.1	70,000
60	70.7	158.3	58,800
65	68.8	156.4	49,600
70	66.8	154.3	42,000
75	64.9	152.0	35,500
80	62.8	149.4	30,000
85	60.8	146.6	25,100
90	58.7	143.6	20,900

Oper. Rad. Feet	Boom Ang. Deg.	Boom Point Elev. Feet	Boom Capacity Pounds
170 Ft. Boom			
28	83.0	176.5	168,900 *
30	82.3	176.2	165,100 *
32	81.6	175.9	161,300 *
34	80.9	175.6	157,500 *
36	80.2	175.2	152,100
38	79.6	174.9	138,200
40	78.9	174.4	126,200
42	78.2	174.0	115,700
44	77.5	173.6	106,400
46	76.8	173.1	98,200
48	76.1	172.6	90,800
50	75.4	172.0	84,200
55	73.7	170.6	70,100
60	71.9	168.9	58,900
65	70.1	167.1	49,800
70	68.3	165.2	42,100
75	66.4	163.0	35,600
80	64.6	160.6	30,100
85	62.7	158.1	25,300
90	60.8	155.3	21,100
95	58.8	152.3	17,300



Liftcrane Boom Capacities With Luffing Jib Attached

Meets
ANSI B30.5
Requirements

888 SERIES 2

Boom No. 22EL
Luffing Jib No. 135
179,100 Lb. Crane Counterweight
44,000 Lb. Carbody Counterweight
28 Ft. 2 in. Crawlers Extended
360 Degree Rating

120 Ft. Luffing Jib Attached At 160 Degree Boom To Luffing Jib Angle

Oper. Rad. Feet	Boom Ang. Deg.	Boom Point Elev. Feet	Boom Capacity Pounds
180 Ft. Boom			
30	82.7	186.3	155,900 *
32	82.1	186.0	152,400 *
34	81.4	185.7	148,900 *
36	80.8	185.4	145,400 *
38	80.2	185.0	138,300
40	79.5	184.6	126,300
42	78.8	184.2	115,700
44	78.2	183.8	106,500
46	77.6	183.4	98,200
48	76.9	182.9	90,800
50	76.2	182.4	84,200
55	74.6	181.0	70,100
60	72.9	179.5	58,900
65	71.2	177.8	49,700
70	69.5	175.9	42,000
75	67.8	173.9	35,500
80	66.1	171.7	30,000
85	64.3	169.3	25,200
90	62.5	166.7	21,000
95	60.7	164.0	17,200
100	58.9	161.0	13,900

Oper. Rad. Feet	Boom Ang. Deg.	Boom Point Elev. Feet	Boom Capacity Pounds
190 Ft. Boom			
32	82.5	196.1	118,000 *
34	81.9	195.9	118,000 *
36	81.3	195.5	118,000 *
38	80.7	195.2	118,000 *
40	80.1	194.8	118,000 *
42	79.4	194.4	116,400
44	78.8	194.0	107,100
46	78.2	193.6	98,800
48	77.6	193.1	91,400
50	77.0	192.7	84,700
55	75.4	191.4	70,600
60	73.8	189.9	59,400
65	72.3	188.4	50,200
70	70.7	186.6	42,500
75	69.1	184.7	36,000
80	67.4	182.6	30,400
85	65.8	180.4	25,600
90	64.1	178.0	21,300
95	62.4	175.4	17,600
100	60.7	172.6	14,300
105	58.9	169.6	11,300



Liftcrane Boom Capacities With Luffing Jib Attached

Meets
ANSI B30.5
Requirements

888 SERIES 2

Boom No. 22EL
Luffing Jib No. 135
179,100 Lb. Crane Counterweight
44,000 Lb. Carbody Counterweight
28 Ft. 2 in. Crawlers Extended
360 Degree Rating

130 Ft. Luffing Jib Attached At 168 Degree Boom To Luffing Jib Angle

Oper. Rad. Feet	Boom Ang. Deg.	Boom Point Elev. Feet	Boom Capacity Pounds
70 Ft. Boom			
16	82.8	77.2	391,600 *
17	82.0	77.1	367,500 *
18	81.1	76.9	345,800 *
19	80.3	76.7	326,200 *
20	79.5	76.5	308,400 *
22	77.8	76.0	277,200 *
24	76.1	75.5	250,900 *
26	74.4	74.9	228,300 *
28	72.7	74.2	208,800 *
30	70.9	73.5	191,700 *
32	69.2	72.7	176,600 *
34	67.4	71.8	161,400 *
36	65.6	70.9	145,300 *
38	63.7	69.8	131,500 *
40	61.8	68.7	119,500 *
42	60.0	67.5	109,000 *
44	58.0	66.2	99,800 *
46	56.0	64.8	91,600 *
48	54.0	63.3	84,200 *
50	51.9	61.7	77,600 *
80 Ft. Boom			
17	83.0	87.2	367,900 *
18	82.3	87.0	346,300 *
19	81.5	86.9	326,700 *
20	80.8	86.7	308,900 *
22	79.3	86.3	277,900 *
24	77.9	85.8	251,600 *
26	76.4	85.3	229,100 *
28	74.9	84.7	209,600 *
30	73.4	84.1	192,600 *
32	71.9	83.4	177,500 *
34	70.4	82.7	163,600 *
36	68.8	81.8	147,400 *
38	67.2	81.0	133,500 *
40	65.7	80.0	121,500 *
42	64.1	79.0	111,000 *
44	62.4	77.9	101,700 *
46	60.8	76.8	93,400 *
48	59.1	75.6	86,100 *
50	57.4	74.2	79,400 *
55	52.9	70.6	65,300 *

Oper. Rad. Feet	Boom Ang. Deg.	Boom Point Elev. Feet	Boom Capacity Pounds
90 Ft. Boom			
19	82.5	97.0	327,200 *
20	81.8	96.8	309,500 *
22	80.5	96.5	278,500 *
24	79.2	96.1	252,300 *
26	77.9	95.6	229,800 *
28	76.6	95.1	210,400 *
30	75.3	94.6	193,400 *
32	74.0	93.9	178,300 *
34	72.6	93.3	165,000 *
36	71.3	92.6	149,100 *
38	69.9	91.8	135,200 *
40	68.6	91.0	123,100 *
42	67.2	90.1	112,600 *
44	65.8	89.2	103,300 *
46	64.3	88.2	95,000 *
48	62.9	87.2	87,600 *
50	61.4	86.0	80,900 *
55	57.7	82.9	66,800 *
60	53.8	79.3	55,500 *
100 Ft. Boom			
20	82.7	107.0	310,100 *
22	81.5	106.6	279,100 *
24	80.3	106.3	253,000 *
26	79.2	105.9	230,600 *
28	78.0	105.4	211,200 *
30	76.8	104.9	194,200 *
32	75.6	104.4	179,200 *
34	74.4	103.8	165,900 *
36	73.2	103.2	150,500 *
38	72.0	102.5	136,600 *
40	70.8	101.8	124,500 *
42	69.6	101.0	113,900 *
44	68.3	100.2	104,600 *
46	67.1	99.3	96,300 *
48	65.8	98.4	88,900 *
50	64.6	97.4	82,200 *
55	61.3	94.7	68,100 *
60	57.9	91.6	56,700 *
65	54.4	88.1	47,500 *

Oper. Rad. Feet	Boom Ang. Deg.	Boom Point Elev. Feet	Boom Capacity Pounds
110 Ft. Boom			
22	82.3	116.8	279,200 *
24	81.2	116.4	253,100 *
26	80.2	116.1	230,700 *
28	79.1	115.7	211,300 *
30	78.0	115.2	194,400 *
32	77.0	114.7	179,400 *
34	75.9	114.2	166,100 *
36	74.8	113.6	151,500 *
38	73.7	113.0	137,600 *
40	72.6	112.4	125,400 *
42	71.5	111.7	114,800 *
44	70.4	110.9	105,500 *
46	69.3	110.2	97,100 *
48	68.2	109.3	89,700 *
50	67.0	108.5	83,000 *
55	64.1	106.1	68,800 *
60	61.2	103.3	57,500 *
65	58.1	100.3	48,200 *
70	55.0	96.8	40,400 *
75	51.7	92.9	33,900 *
120 Ft. Boom			
22	82.9	126.9	279,400 *
24	82.0	126.6	253,300 *
26	81.0	126.2	230,900 *
28	80.0	125.9	211,600 *
30	79.1	125.4	194,600 *
32	78.1	125.0	179,700 *
34	77.1	124.5	166,400 *
36	76.1	124.0	152,400 *
38	75.1	123.5	138,300 *
40	74.1	122.9	126,200 *
42	73.1	122.2	115,600 *
44	72.1	121.6	106,200 *
46	71.1	120.9	97,800 *
48	70.1	120.1	90,400 *
50	69.1	119.3	83,700 *
55	66.4	117.2	69,500 *
60	63.8	114.7	58,100 *
65	61.1	112.0	48,800 *
70	58.3	109.0	41,100 *
75	55.4	105.6	34,500 *
80	52.4	101.8	28,800 *



Liftcrane Boom Capacities With Luffing Jib Attached

Meets
ANSI B30.5
Requirements

888 SERIES 2

Boom No. 22EL
Luffing Jib No. 135
179,100 Lb. Crane Counterweight
44,000 Lb. Carbody Counterweight
28 Ft. 2 in. Crawlers Extended
360 Degree Rating

130 Ft. Luffing Jib Attached At 168 Degree Boom To Luffing Jib Angle

Oper. Rad. Feet	Boom Ang. Deg.	Boom Point Elev. Feet	Boom Capacity Pounds
130 Ft. Boom			
24	82.6	136.7	247,100 *
26	81.7	136.4	231,200 *
28	80.8	136.0	211,900 *
30	79.9	135.7	194,900 *
32	79.0	135.2	180,000 *
34	78.1	134.8	166,800 *
36	77.2	134.3	153,200
38	76.3	133.8	139,100
40	75.4	133.3	127,000
42	74.4	132.7	116,300
44	73.5	132.1	106,900
46	72.6	131.4	98,600
48	71.7	130.8	91,100
50	70.7	130.1	84,400
55	68.4	128.1	70,100
60	66.0	125.9	58,800
65	63.5	123.4	49,500
70	61.0	120.7	41,700
75	58.4	117.6	35,100
80	55.8	114.3	29,500
85	53.0	110.6	24,600
140 Ft. Boom			
26	82.3	146.5	229,400 *
28	81.5	146.2	211,900 *
30	80.6	145.8	195,000 *
32	79.8	145.4	180,100 *
34	79.0	145.1	166,800 *
36	78.1	144.6	153,700
38	77.3	144.1	139,600
40	76.4	143.6	127,500
42	75.6	143.1	116,800
44	74.7	142.5	107,400
46	73.9	141.9	99,000
48	73.0	141.3	91,500
50	72.2	140.6	84,800
55	70.0	138.9	70,600
60	67.8	136.8	59,200
65	65.5	134.6	49,900
70	63.3	132.1	42,100
75	60.9	129.3	35,500
80	58.5	126.3	29,900
85	56.1	123.0	25,000
90	53.5	119.3	20,700

Oper. Rad. Feet	Boom Ang. Deg.	Boom Point Elev. Feet	Boom Capacity Pounds
150 Ft. Boom			
26	82.8	156.6	205,600 *
28	82.0	156.3	200,000 *
30	81.3	156.0	194,600 *
32	80.5	155.6	179,800 *
34	79.7	155.2	166,500 *
36	78.9	154.8	154,100
38	78.2	154.4	140,000
40	77.4	153.9	127,800
42	76.6	153.4	117,100
44	75.8	152.9	107,700
46	75.0	152.4	99,300
48	74.2	151.8	91,800
50	73.4	151.2	85,000
55	71.4	149.5	70,800
60	69.3	147.6	59,300
65	67.3	145.6	50,000
70	65.2	143.3	42,200
75	63.0	140.7	35,600
80	60.9	138.0	29,900
85	58.6	135.0	25,000
90	56.3	131.7	20,700
95	54.0	128.1	16,900
100	51.6	124.2	13,600
160 Ft. Boom			
28	82.5	166.4	191,600 *
30	81.8	166.1	186,400 *
32	81.1	165.8	179,600 *
34	80.4	165.4	166,300 *
36	79.6	165.1	154,400
38	78.9	164.6	140,300
40	78.2	164.2	128,100
42	77.4	163.7	117,300
44	76.7	163.2	107,900
46	75.9	162.7	99,500
48	75.2	162.2	92,000
50	74.5	161.6	85,200
55	72.6	160.1	70,900
60	70.7	158.3	59,500
65	68.8	156.4	50,100

Oper. Rad. Feet	Boom Ang. Deg.	Boom Point Elev. Feet	Boom Capacity Pounds
160 Ft. Boom			
70	66.8	154.3	42,300
75	64.9	152.0	35,700
80	62.8	149.4	30,000
85	60.8	146.6	25,100
90	58.7	143.6	20,800
95	56.6	140.4	17,000
100	54.4	136.8	13,600
105	52.1	133.0	10,600
170 Ft. Boom			
28	83.0	176.5	176,100 *
30	82.3	176.2	172,000 *
32	81.6	175.9	167,900 *
34	80.9	175.6	163,900 *
36	80.2	175.2	154,500 *
38	79.6	174.9	140,600
40	78.9	174.4	128,400
42	78.2	174.0	117,600
44	77.5	173.6	108,200
46	76.8	173.1	99,800
48	76.1	172.6	92,200
50	75.4	172.0	85,500
55	73.7	170.6	71,100
60	71.9	168.9	59,700
65	70.1	167.1	50,300
70	68.3	165.2	42,500
75	66.4	163.0	35,900
80	64.6	160.6	30,200
85	62.7	158.1	25,300
90	60.8	155.3	21,000
95	58.8	152.3	17,200
100	56.8	149.1	13,800
105	54.7	145.6	10,800



Liftcrane Boom Capacities With Luffing Jib Attached

Meets
ANSI B30.5
Requirements

888 SERIES 2

Boom No. 22EL
Luffing Jib No. 135
179,100 Lb. Crane Counterweight
44,000 Lb. Carbody Counterweight
28 Ft. 2 in. Crawlers Extended
360 Degree Rating

130 Ft. Luffing Jib Attached At 168 Degree Boom To Luffing Jib Angle

Oper. Rad. Feet	Boom Ang. Deg.	Boom Point Elev. Feet	Boom Capacity Pounds
180 Ft. Boom			
30	82.7	186.3	163,200 *
32	82.1	186.0	159,400 *
34	81.4	185.7	155,600 *
36	80.8	185.4	151,800 *
38	80.2	185.0	140,700
40	79.5	184.6	128,500
42	78.8	184.2	117,700
44	78.2	183.8	108,200
46	77.6	183.4	99,800
48	76.9	182.9	92,300
50	76.2	182.4	85,500
55	74.6	181.0	71,200
60	72.9	179.5	59,700
65	71.2	177.8	50,300
70	69.5	175.9	42,500
75	67.8	173.9	35,900
80	66.1	171.7	30,200
85	64.3	169.3	25,300
90	62.5	166.7	21,000
95	60.7	164.0	17,200
100	58.9	161.0	13,800
105	57.0	157.7	10,700

Oper. Rad. Feet	Boom Ang. Deg.	Boom Point Elev. Feet	Boom Capacity Pounds
190 Ft. Boom			
32	82.5	196.1	118,000 *
34	81.9	195.9	118,000 *
36	81.3	195.5	118,000 *
38	80.7	195.2	118,000 *
40	80.1	194.8	118,000 *
42	79.4	194.4	118,000 *
44	78.8	194.0	108,900
46	78.2	193.6	100,500
48	77.6	193.1	92,900
50	77.0	192.7	86,100
55	75.4	191.4	71,700
60	73.8	189.9	60,300
65	72.3	188.4	50,800
70	70.7	186.6	43,000
75	69.1	184.7	36,400
80	67.4	182.6	30,700
85	65.8	180.4	25,700
90	64.1	178.0	21,400
95	62.4	175.4	17,600
100	60.7	172.6	14,200
105	58.9	169.6	11,200



Liftcrane Boom Capacities With Luffing Jib Attached

Meets
ANSI B30.5
Requirements

888 SERIES 2

Boom No. 22EL
Luffing Jib No. 135
179,100 Lb. Crane Counterweight
44,000 Lb. Carbody Counterweight
28 Ft. 2 in. Crawlers Extended
360 Degree Rating

140 Ft. Luffing Jib Attached At 168 Degree Boom To Luffing Jib Angle

Oper. Rad. Feet	Boom Ang. Deg.	Boom Point Elev. Feet	Boom Capacity Pounds
70 Ft. Boom			
16	82.8	77.2	387,900 *
17	82.0	77.1	363,800 *
18	81.1	76.9	342,200 *
19	80.3	76.7	322,600 *
20	79.5	76.5	304,800 *
22	77.8	76.0	273,700 *
24	76.1	75.5	247,400 *
26	74.4	74.9	224,900 *
28	72.7	74.2	205,300 *
30	70.9	73.5	188,300 *
32	69.2	72.7	173,200 *
34	67.4	71.8	157,900
36	65.6	70.9	141,900
38	63.7	69.8	128,200
40	61.8	68.7	116,300
42	60.0	67.5	105,900
44	58.0	66.2	96,700
46	56.0	64.8	88,500
48	54.0	63.3	81,200
50	51.9	61.7	74,600
80 Ft. Boom			
17	83.0	87.2	364,400 *
18	82.3	87.0	342,800 *
19	81.5	86.9	323,300 *
20	80.8	86.7	305,600 *
22	79.3	86.3	274,500 *
24	77.9	85.8	248,300 *
26	76.4	85.3	225,800 *
28	74.9	84.7	206,400 *
30	73.4	84.1	189,400 *
32	71.9	83.4	174,300 *
34	70.4	82.7	160,400
36	68.8	81.8	144,300
38	67.2	81.0	130,500
40	65.7	80.0	118,500
42	64.1	79.0	108,100
44	62.4	77.9	98,800
46	60.8	76.8	90,600
48	59.1	75.6	83,300
50	57.4	74.2	76,700
55	52.9	70.6	62,700

Oper. Rad. Feet	Boom Ang. Deg.	Boom Point Elev. Feet	Boom Capacity Pounds
90 Ft. Boom			
19	82.5	97.0	323,900 *
20	81.8	96.8	306,200 *
22	80.5	96.5	275,300 *
24	79.2	96.1	249,100 *
26	77.9	95.6	226,700 *
28	76.6	95.1	207,300 *
30	75.3	94.6	190,300 *
32	74.0	93.9	175,300 *
34	72.6	93.3	162,000 *
36	71.3	92.6	146,200
38	69.9	91.8	132,300
40	68.6	91.0	120,300
42	67.2	90.1	109,800
44	65.8	89.2	100,600
46	64.3	88.2	92,300
48	62.9	87.2	84,900
50	61.4	86.0	78,300
55	57.7	82.9	64,300
60	53.8	79.3	53,000
100 Ft. Boom			
20	82.7	107.0	306,900 *
22	81.5	106.6	276,000 *
24	80.3	106.3	249,900 *
26	79.2	105.9	227,600 *
28	78.0	105.4	208,200 *
30	76.8	104.9	191,200 *
32	75.6	104.4	176,300 *
34	74.4	103.8	163,000 *
36	73.2	103.2	147,700
38	72.0	102.5	133,800
40	70.8	101.8	121,800
42	69.6	101.0	111,300
44	68.3	100.2	102,000
46	67.1	99.3	93,800
48	65.8	98.4	86,400
50	64.6	97.4	79,700
55	61.3	94.7	65,700
60	57.9	91.6	54,400
65	54.4	88.1	45,200

Oper. Rad. Feet	Boom Ang. Deg.	Boom Point Elev. Feet	Boom Capacity Pounds
110 Ft. Boom			
22	82.3	116.8	276,200 *
24	81.2	116.4	250,100 *
26	80.2	116.1	227,800 *
28	79.1	115.7	208,400 *
30	78.0	115.2	191,500 *
32	77.0	114.7	176,600 *
34	75.9	114.2	163,300 *
36	74.8	113.6	148,800
38	73.7	113.0	134,900
40	72.6	112.4	122,900
42	71.5	111.7	112,300
44	70.4	110.9	103,000
46	69.3	110.2	94,700
48	68.2	109.3	87,300
50	67.0	108.5	80,600
55	64.1	106.1	66,500
60	61.2	103.3	55,200
65	58.1	100.3	46,000
70	55.0	96.8	38,300
75	51.7	92.9	31,800
120 Ft. Boom			
22	82.9	126.9	276,400 *
24	82.0	126.6	250,400 *
26	81.0	126.2	228,100 *
28	80.0	125.9	208,800 *
30	79.1	125.4	191,900 *
32	78.1	125.0	177,000 *
34	77.1	124.5	163,700 *
36	76.1	124.0	149,800
38	75.1	123.5	135,800
40	74.1	122.9	123,700
42	73.1	122.2	113,100
44	72.1	121.6	103,800
46	71.1	120.9	95,500
48	70.1	120.1	88,100
50	69.1	119.3	81,400
55	66.4	117.2	67,300
60	63.8	114.7	56,000
65	61.1	112.0	46,700
70	58.3	109.0	39,000
75	55.4	105.6	32,500
80	52.4	101.8	26,900



Liftcrane Boom Capacities With Luffing Jib Attached

Meets
ANSI B30.5
Requirements

888 SERIES 2

Boom No. 22EL
Luffing Jib No. 135
179,100 Lb. Crane Counterweight
44,000 Lb. Carbody Counterweight
28 Ft. 2 in. Crawlers Extended
360 Degree Rating

140 Ft. Luffing Jib Attached At 168 Degree Boom To Luffing Jib Angle

Oper. Rad. Feet	Boom Ang. Deg.	Boom Point Elev. Feet	Boom Capacity Pounds
130 Ft. Boom			
24	82.6	136.7	244,100 *
26	81.7	136.4	228,400 *
28	80.8	136.0	209,100 *
30	79.9	135.7	192,300 *
32	79.0	135.2	177,400 *
34	78.1	134.8	164,100 *
36	77.2	134.3	150,600
38	76.3	133.8	136,700
40	75.4	133.3	124,600
42	74.4	132.7	114,000
44	73.5	132.1	104,600
46	72.6	131.4	96,300
48	71.7	130.8	88,900
50	70.7	130.1	82,200
55	68.4	128.1	68,000
60	66.0	125.9	56,700
65	63.5	123.4	47,500
70	61.0	120.7	39,700
75	58.4	117.6	33,200
80	55.8	114.3	27,600
85	53.0	110.6	22,700
140 Ft. Boom			
26	82.3	146.5	226,400 *
28	81.5	146.2	209,200 *
30	80.6	145.8	192,300 *
32	79.8	145.4	177,500 *
34	79.0	145.1	164,300 *
36	78.1	144.6	151,200
38	77.3	144.1	137,300
40	76.4	143.6	125,100
42	75.6	143.1	114,500
44	74.7	142.5	105,200
46	73.9	141.9	96,800
48	73.0	141.3	89,400
50	72.2	140.6	82,700
55	70.0	138.9	68,500
60	67.8	136.8	57,200
65	65.5	134.6	47,900
70	63.3	132.1	40,200
75	60.9	129.3	33,600
80	58.5	126.3	28,000
85	56.1	123.0	23,200
90	53.5	119.3	18,900

Oper. Rad. Feet	Boom Ang. Deg.	Boom Point Elev. Feet	Boom Capacity Pounds
150 Ft. Boom			
26	82.8	156.6	202,800 *
28	82.0	156.3	197,200 *
30	81.3	156.0	191,700 *
32	80.5	155.6	177,200 *
34	79.7	155.2	164,000 *
36	78.9	154.8	151,800
38	78.2	154.4	137,700
40	77.4	153.9	125,600
42	76.6	153.4	114,900
44	75.8	152.9	105,500
46	75.0	152.4	97,200
48	74.2	151.8	89,700
50	73.4	151.2	83,000
55	71.4	149.5	68,800
60	69.3	147.6	57,400
65	67.3	145.6	48,100
70	65.2	143.3	40,400
75	63.0	140.7	33,800
80	60.9	138.0	28,200
85	58.6	135.0	23,300
90	56.3	131.7	19,000
95	54.0	128.1	15,200
100	51.6	124.2	11,900
160 Ft. Boom			
28	82.5	166.4	188,700 *
30	81.8	166.1	183,600 *
32	81.1	165.8	177,100 *
34	80.4	165.4	163,900 *
36	79.6	165.1	152,100 *
38	78.9	164.6	138,000
40	78.2	164.2	125,800
42	77.4	163.7	115,200
44	76.7	163.2	105,800
46	75.9	162.7	97,400
48	75.2	162.2	89,900
50	74.5	161.6	83,200
55	72.6	160.1	69,000
60	70.7	158.3	57,600
65	68.8	156.4	48,300

Oper. Rad. Feet	Boom Ang. Deg.	Boom Point Elev. Feet	Boom Capacity Pounds
160 Ft. Boom			
70	66.8	154.3	40,500
75	64.9	152.0	33,900
80	62.8	149.4	28,300
85	60.8	146.6	23,400
90	58.7	143.6	19,100
95	56.6	140.4	15,300
100	54.4	136.8	12,000
170 Ft. Boom			
28	83.0	176.5	173,400 *
30	82.3	176.2	169,200 *
32	81.6	175.9	165,100 *
34	80.9	175.6	161,100 *
36	80.2	175.2	152,100 *
38	79.6	174.9	138,400
40	78.9	174.4	126,200
42	78.2	174.0	115,500
44	77.5	173.6	106,100
46	76.8	173.1	97,700
48	76.1	172.6	90,200
50	75.4	172.0	83,500
55	73.7	170.6	69,200
60	71.9	168.9	57,900
65	70.1	167.1	48,500
70	68.3	165.2	40,800
75	66.4	163.0	34,200
80	64.6	160.6	28,500
85	62.7	158.1	23,600
90	60.8	155.3	19,400
95	58.8	152.3	15,600
100	56.8	149.1	12,200



Liftcrane Boom Capacities With Luffing Jib Attached

Meets
 ANSI B30.5
 Requirements

888 SERIES 2

Boom No. 22EL
Luffing Jib No. 135
179,100 Lb. Crane Counterweight
44,000 Lb. Carbody Counterweight
28 Ft. 2 in. Crawlers Extended
360 Degree Rating

140 Ft. Luffing Jib Attached At 168 Degree Boom To Luffing Jib Angle

Oper. Rad. Feet	Boom Ang. Deg.	Boom Point Elev. Feet	Boom Capacity Pounds
180 Ft. Boom			
30	82.7	186.3	160,500 *
32	82.1	186.0	156,600 *
34	81.4	185.7	152,800 *
36	80.8	185.4	149,100 *
38	80.2	185.0	138,600
40	79.5	184.6	126,300
42	78.8	184.2	115,600
44	78.2	183.8	106,200
46	77.6	183.4	97,800
48	76.9	182.9	90,300
50	76.2	182.4	83,600
55	74.6	181.0	69,300
60	72.9	179.5	57,900
65	71.2	177.8	48,600
70	69.5	175.9	40,800
75	67.8	173.9	34,200
80	66.1	171.7	28,500
85	64.3	169.3	23,600
90	62.5	166.7	19,300
95	60.7	164.0	15,600
100	58.9	161.0	12,200

Oper. Rad. Feet	Boom Ang. Deg.	Boom Point Elev. Feet	Boom Capacity Pounds
190 Ft. Boom			
32	82.5	196.1	118,000 *
34	81.9	195.9	118,000 *
36	81.3	195.5	118,000 *
38	80.7	195.2	118,000 *
40	80.1	194.8	118,000 *
42	79.4	194.4	116,400
44	78.8	194.0	106,900
46	78.2	193.6	98,500
48	77.6	193.1	91,000
50	77.0	192.7	84,200
55	75.4	191.4	69,900
60	73.8	189.9	58,500
65	72.3	188.4	49,100
70	70.7	186.6	41,300
75	69.1	184.7	34,700
80	67.4	182.6	29,000
85	65.8	180.4	24,100
90	64.1	178.0	19,800
95	62.4	175.4	16,000
100	60.7	172.6	12,700



Liftcrane Boom Capacities With Luffing Jib Attached

Meets
ANSI B30.5
Requirements

888 SERIES 2

Boom No. 22EL
Luffing Jib No. 135
179,100 Lb. Crane Counterweight
44,000 Lb. Carbody Counterweight
28 Ft. 2 in. Crawlers Extended
360 Degree Rating

150 Ft. Luffing Jib Attached At 168 Degree Boom To Luffing Jib Angle

Oper. Rad. Feet	Boom Ang. Deg.	Boom Point Elev. Feet	Boom Capacity Pounds
70 Ft. Boom			
16	82.8	77.2	385,200 *
17	82.0	77.1	361,200 *
18	81.1	76.9	339,600 *
19	80.3	76.7	320,000 *
20	79.5	76.5	302,300 *
22	77.8	76.0	271,200 *
24	76.1	75.5	245,000 *
26	74.4	74.9	222,500 *
28	72.7	74.2	203,000 *
30	70.9	73.5	185,900 *
32	69.2	72.7	170,900 *
34	67.4	71.8	155,400 *
36	65.6	70.9	139,500 *
38	63.7	69.8	125,900 *
40	61.8	68.7	114,000 *
42	60.0	67.5	103,700 *
44	58.0	66.2	94,500 *
46	56.0	64.8	86,400 *
48	54.0	63.3	79,100 *
50	51.9	61.7	72,600 *
80 Ft. Boom			
17	83.0	87.2	361,900 *
18	82.3	87.0	340,300 *
19	81.5	86.9	320,800 *
20	80.8	86.7	303,100 *
22	79.3	86.3	272,200 *
24	77.9	85.8	246,000 *
26	76.4	85.3	223,600 *
28	74.9	84.7	204,200 *
30	73.4	84.1	187,200 *
32	71.9	83.4	172,200 *
34	70.4	82.7	158,000 *
36	68.8	81.8	142,000 *
38	67.2	81.0	128,300 *
40	65.7	80.0	116,400 *
42	64.1	79.0	106,000 *
44	62.4	77.9	96,800 *
46	60.8	76.8	88,700 *
48	59.1	75.6	81,400 *
50	57.4	74.2	74,800 *
55	52.9	70.6	60,900 *

Oper. Rad. Feet	Boom Ang. Deg.	Boom Point Elev. Feet	Boom Capacity Pounds
90 Ft. Boom			
19	82.5	97.0	321,600 *
20	81.8	96.8	303,900 *
22	80.5	96.5	273,000 *
24	79.2	96.1	246,900 *
26	77.9	95.6	224,500 *
28	76.6	95.1	205,200 *
30	75.3	94.6	188,200 *
32	74.0	93.9	173,300 *
34	72.6	93.3	160,000 *
36	71.3	92.6	144,100 *
38	69.9	91.8	130,300 *
40	68.6	91.0	118,400 *
42	67.2	90.1	107,900 *
44	65.8	89.2	98,700 *
46	64.3	88.2	90,500 *
48	62.9	87.2	83,200 *
50	61.4	86.0	76,500 *
55	57.7	82.9	62,600 *
60	53.8	79.3	51,400 *
100 Ft. Boom			
20	82.7	107.0	304,700 *
22	81.5	106.6	273,900 *
24	80.3	106.3	247,800 *
26	79.2	105.9	225,500 *
28	78.0	105.4	206,200 *
30	76.8	104.9	189,300 *
32	75.6	104.4	174,300 *
34	74.4	103.8	161,100 *
36	73.2	103.2	145,700 *
38	72.0	102.5	131,900 *
40	70.8	101.8	120,000 *
42	69.6	101.0	109,500 *
44	68.3	100.2	100,200 *
46	67.1	99.3	92,000 *
48	65.8	98.4	84,700 *
50	64.6	97.4	78,100 *
55	61.3	94.7	64,100 *
60	57.9	91.6	52,900 *
65	54.4	88.1	43,800 *

Oper. Rad. Feet	Boom Ang. Deg.	Boom Point Elev. Feet	Boom Capacity Pounds
110 Ft. Boom			
22	82.3	116.8	274,100 *
24	81.2	116.4	248,100 *
26	80.2	116.1	225,800 *
28	79.1	115.7	206,500 *
30	78.0	115.2	189,600 *
32	77.0	114.7	174,700 *
34	75.9	114.2	161,500 *
36	74.8	113.6	146,900 *
38	73.7	113.0	133,100 *
40	72.6	112.4	121,100 *
42	71.5	111.7	110,600 *
44	70.4	110.9	101,300 *
46	69.3	110.2	93,100 *
48	68.2	109.3	85,700 *
50	67.0	108.5	79,100 *
55	64.1	106.1	65,000 *
60	61.2	103.3	53,800 *
65	58.1	100.3	44,600 *
70	55.0	96.8	37,000 *
75	51.7	92.9	30,500 *
120 Ft. Boom			
22	82.9	126.9	274,400 *
24	82.0	126.6	248,400 *
26	81.0	126.2	226,200 *
28	80.0	125.9	206,900 *
30	79.1	125.4	190,000 *
32	78.1	125.0	175,200 *
34	77.1	124.5	161,900 *
36	76.1	124.0	147,900 *
38	75.1	123.5	134,000 *
40	74.1	122.9	122,000 *
42	73.1	122.2	111,500 *
44	72.1	121.6	102,200 *
46	71.1	120.9	93,900 *
48	70.1	120.1	86,600 *
50	69.1	119.3	79,900 *
55	66.4	117.2	65,900 *
60	63.8	114.7	54,600 *
65	61.1	112.0	45,400 *
70	58.3	109.0	37,700 *
75	55.4	105.6	31,200 *
80	52.4	101.8	25,700 *



Liftcrane Boom Capacities With Luffing Jib Attached

Meets
ANSI B30.5
Requirements

888 SERIES 2

Boom No. 22EL
Luffing Jib No. 135
179,100 Lb. Crane Counterweight
44,000 Lb. Carbody Counterweight
28 Ft. 2 in. Crawlers Extended
360 Degree Rating

150 Ft. Luffing Jib Attached At 168 Degree Boom To Luffing Jib Angle

Oper. Rad. Feet	Boom Ang. Deg.	Boom Point Elev. Feet	Boom Capacity Pounds
130 Ft. Boom			
24	82.6	136.7	242,200 *
26	81.7	136.4	226,600 *
28	80.8	136.0	207,300 *
30	79.9	135.7	190,500 *
32	79.0	135.2	175,600 *
34	78.1	134.8	162,400 *
36	77.2	134.3	148,900
38	76.3	133.8	135,000
40	75.4	133.3	122,900
42	74.4	132.7	112,400
44	73.5	132.1	103,100
46	72.6	131.4	94,800
48	71.7	130.8	87,400
50	70.7	130.1	80,700
55	68.4	128.1	66,700
60	66.0	125.9	55,400
65	63.5	123.4	46,200
70	61.0	120.7	38,500
75	58.4	117.6	32,000
80	55.8	114.3	26,400
85	53.0	110.6	21,600
140 Ft. Boom			
26	82.3	146.5	224,400 *
28	81.5	146.2	207,400 *
30	80.6	145.8	190,600 *
32	79.8	145.4	175,800 *
34	79.0	145.1	162,600 *
36	78.1	144.6	149,500
38	77.3	144.1	135,600
40	76.4	143.6	123,500
42	75.6	143.1	113,000
44	74.7	142.5	103,700
46	73.9	141.9	95,400
48	73.0	141.3	88,000
50	72.2	140.6	81,300
55	70.0	138.9	67,200
60	67.8	136.8	55,900
65	65.5	134.6	46,700
70	63.3	132.1	39,000
75	60.9	129.3	32,500
80	58.5	126.3	26,900
85	56.1	123.0	22,100
90	53.5	119.3	17,800

Oper. Rad. Feet	Boom Ang. Deg.	Boom Point Elev. Feet	Boom Capacity Pounds
150 Ft. Boom			
26	82.8	156.6	201,000 *
28	82.0	156.3	195,400 *
30	81.3	156.0	189,900 *
32	80.5	155.6	175,600 *
34	79.7	155.2	162,400 *
36	78.9	154.8	150,100
38	78.2	154.4	136,100
40	77.4	153.9	124,000
42	76.6	153.4	113,400
44	75.8	152.9	104,100
46	75.0	152.4	95,800
48	74.2	151.8	88,300
50	73.4	151.2	81,600
55	71.4	149.5	67,500
60	69.3	147.6	56,200
65	67.3	145.6	46,900
70	65.2	143.3	39,200
75	63.0	140.7	32,700
80	60.9	138.0	27,100
85	58.6	135.0	22,200
90	56.3	131.7	18,000
95	54.0	128.1	14,200
100	51.6	124.2	10,900
160 Ft. Boom			
28	82.5	166.4	186,900 *
30	81.8	166.1	181,700 *
32	81.1	165.8	175,500 *
34	80.4	165.4	162,300 *
36	79.6	165.1	150,500
38	78.9	164.6	136,500
40	78.2	164.2	124,300
42	77.4	163.7	113,700
44	76.7	163.2	104,400
46	75.9	162.7	96,000
48	75.2	162.2	88,600
50	74.5	161.6	81,900
55	72.6	160.1	67,700
60	70.7	158.3	56,400
65	68.8	156.4	47,100

Oper. Rad. Feet	Boom Ang. Deg.	Boom Point Elev. Feet	Boom Capacity Pounds
160 Ft. Boom			
70	66.8	154.3	39,400
75	64.9	152.0	32,900
80	62.8	149.4	27,300
85	60.8	146.6	22,400
90	58.7	143.6	18,100
95	56.6	140.4	14,400
100	54.4	136.8	11,000
170 Ft. Boom			
28	83.0	176.5	171,600 *
30	82.3	176.2	167,500 *
32	81.6	175.9	163,400 *
34	80.9	175.6	159,300 *
36	80.2	175.2	150,600 *
38	79.6	174.9	136,900
40	78.9	174.4	124,700
42	78.2	174.0	114,100
44	77.5	173.6	104,700
46	76.8	173.1	96,400
48	76.1	172.6	88,900
50	75.4	172.0	82,200
55	73.7	170.6	68,000
60	71.9	168.9	56,700
65	70.1	167.1	47,400
70	68.3	165.2	39,700
75	66.4	163.0	33,100
80	64.6	160.6	27,500
85	62.7	158.1	22,700
90	60.8	155.3	18,400
95	58.8	152.3	14,600
100	56.8	149.1	11,300



Liftcrane Boom Capacities With Luffing Jib Attached

Meets
 ANSI B30.5
 Requirements

888 SERIES 2

Boom No. 22EL
Luffing Jib No. 135
179,100 Lb. Crane Counterweight
44,000 Lb. Carbody Counterweight
28 Ft. 2 in. Crawlers Extended
360 Degree Rating

150 Ft. Luffing Jib Attached At 168 Degree Boom To Luffing Jib Angle

Oper. Rad. Feet	Boom Ang. Deg.	Boom Point Elev. Feet	Boom Capacity Pounds
180 Ft. Boom			
30	82.7	186.3	158,700 *
32	82.1	186.0	154,900 *
34	81.4	185.7	151,000 *
36	80.8	185.4	147,300 *
38	80.2	185.0	137,100
40	79.5	184.6	124,900
42	78.8	184.2	114,300
44	78.2	183.8	104,900
46	77.6	183.4	96,500
48	76.9	182.9	89,100
50	76.2	182.4	82,300
55	74.6	181.0	68,100
60	72.9	179.5	56,800
65	71.2	177.8	47,500
70	69.5	175.9	39,700
75	67.8	173.9	33,200
80	66.1	171.7	27,600
85	64.3	169.3	22,700
90	62.5	166.7	18,400
95	60.7	164.0	14,700
100	58.9	161.0	11,300

Oper. Rad. Feet	Boom Ang. Deg.	Boom Point Elev. Feet	Boom Capacity Pounds
190 Ft. Boom			
32	82.5	196.1	118,000 *
34	81.9	195.9	118,000 *
36	81.3	195.5	118,000 *
38	80.7	195.2	118,000 *
40	80.1	194.8	118,000 *
42	79.4	194.4	115,000
44	78.8	194.0	105,600
46	78.2	193.6	97,300
48	77.6	193.1	89,800
50	77.0	192.7	83,000
55	75.4	191.4	68,800
60	73.8	189.9	57,400
65	72.3	188.4	48,100
70	70.7	186.6	40,300
75	69.1	184.7	33,700
80	67.4	182.6	28,100
85	65.8	180.4	23,200
90	64.1	178.0	18,900
95	62.4	175.4	15,100
100	60.7	172.6	11,800



Liftcrane Boom Capacities With Luffing Jib Attached

Meets
ANSI B30.5
Requirements

888 SERIES 2

Boom No. 22EL
Luffing Jib No. 135
179,100 Lb. Crane Counterweight
44,000 Lb. Carbody Counterweight
28 Ft. 2 in. Crawlers Extended
360 Degree Rating

160 Ft. Luffing Jib Attached At 168 Degree Boom To Luffing Jib Angle

Oper. Rad. Feet	Boom Ang. Deg.	Boom Point Elev. Feet	Boom Capacity Pounds
70 Ft. Boom			
16	82.8	77.2	381,400 *
17	82.0	77.1	357,400 *
18	81.1	76.9	335,800 *
19	80.3	76.7	316,300 *
20	79.5	76.5	298,500 *
22	77.8	76.0	267,500 *
24	76.1	75.5	241,300 *
26	74.4	74.9	218,800 *
28	72.7	74.2	199,400 *
30	70.9	73.5	182,300 *
32	69.2	72.7	167,300 *
34	67.4	71.8	151,800
36	65.6	70.9	136,000
38	63.7	69.8	122,400
40	61.8	68.7	110,700
42	60.0	67.5	100,400
44	58.0	66.2	91,300
46	56.0	64.8	83,200
48	54.0	63.3	76,000
50	51.9	61.7	69,500
80 Ft. Boom			
17	83.0	87.2	358,200 *
18	82.3	87.0	336,700 *
19	81.5	86.9	317,200 *
20	80.8	86.7	299,600 *
22	79.3	86.3	268,700 *
24	77.9	85.8	242,500 *
26	76.4	85.3	220,100 *
28	74.9	84.7	200,700 *
30	73.4	84.1	183,800 *
32	71.9	83.4	168,800 *
34	70.4	82.7	154,700
36	68.8	81.8	138,700
38	67.2	81.0	125,100
40	65.7	80.0	113,300
42	64.1	79.0	102,900
44	62.4	77.9	93,800
46	60.8	76.8	85,700
48	59.1	75.6	78,400
50	57.4	74.2	71,900
55	52.9	70.6	58,100

Oper. Rad. Feet	Boom Ang. Deg.	Boom Point Elev. Feet	Boom Capacity Pounds
90 Ft. Boom			
19	82.5	97.0	318,100 *
20	81.8	96.8	300,500 *
22	80.5	96.5	269,700 *
24	79.2	96.1	243,600 *
26	77.9	95.6	221,300 *
28	76.6	95.1	201,900 *
30	75.3	94.6	185,000 *
32	74.0	93.9	170,100 *
34	72.6	93.3	156,800 *
36	71.3	92.6	141,000
38	69.9	91.8	127,300
40	68.6	91.0	115,400
42	67.2	90.1	105,000
44	65.8	89.2	95,800
46	64.3	88.2	87,700
48	62.9	87.2	80,400
50	61.4	86.0	73,800
55	57.7	82.9	60,000
60	53.8	79.3	48,900
100 Ft. Boom			
20	82.7	107.0	301,400 *
22	81.5	106.6	270,600 *
24	80.3	106.3	244,600 *
26	79.2	105.9	222,300 *
28	78.0	105.4	203,000 *
30	76.8	104.9	186,200 *
32	75.6	104.4	171,300 *
34	74.4	103.8	158,100 *
36	73.2	103.2	142,800
38	72.0	102.5	129,000
40	70.8	101.8	117,100
42	69.6	101.0	106,700
44	68.3	100.2	97,500
46	67.1	99.3	89,400
48	65.8	98.4	82,100
50	64.6	97.4	75,500
55	61.3	94.7	61,600
60	57.9	91.6	50,500
65	54.4	88.1	41,400

Oper. Rad. Feet	Boom Ang. Deg.	Boom Point Elev. Feet	Boom Capacity Pounds
110 Ft. Boom			
22	82.3	116.8	270,900 *
24	81.2	116.4	245,000 *
26	80.2	116.1	222,700 *
28	79.1	115.7	203,500 *
30	78.0	115.2	186,600 *
32	77.0	114.7	171,800 *
34	75.9	114.2	158,600 *
36	74.8	113.6	144,100
38	73.7	113.0	130,300
40	72.6	112.4	118,400
42	71.5	111.7	107,900
44	70.4	110.9	98,700
46	69.3	110.2	90,500
48	68.2	109.3	83,200
50	67.0	108.5	76,600
55	64.1	106.1	62,600
60	61.2	103.3	51,500
65	58.1	100.3	42,400
70	55.0	96.8	34,700
75	51.7	92.9	28,300
120 Ft. Boom			
22	82.9	126.9	271,300 *
24	82.0	126.6	245,400 *
26	81.0	126.2	223,200 *
28	80.0	125.9	204,000 *
30	79.1	125.4	187,100 *
32	78.1	125.0	172,300 *
34	77.1	124.5	159,100 *
36	76.1	124.0	145,200
38	75.1	123.5	131,400
40	74.1	122.9	119,400
42	73.1	122.2	109,000
44	72.1	121.6	99,700
46	71.1	120.9	91,500
48	70.1	120.1	84,200
50	69.1	119.3	77,500
55	66.4	117.2	63,600
60	63.8	114.7	52,400
65	61.1	112.0	43,200
70	58.3	109.0	35,600
75	55.4	105.6	29,100
80	52.4	101.8	23,600



Liftcrane Boom Capacities With Luffing Jib Attached

Meets
ANSI B30.5
Requirements

888 SERIES 2

Boom No. 22EL
Luffing Jib No. 135
179,100 Lb. Crane Counterweight
44,000 Lb. Carbody Counterweight
28 Ft. 2 in. Crawlers Extended
360 Degree Rating

160 Ft. Luffing Jib Attached At 168 Degree Boom To Luffing Jib Angle

Oper. Rad. Feet	Boom Ang. Deg.	Boom Point Elev. Feet	Boom Capacity Pounds
130 Ft. Boom			
24	82.6	136.7	239,100 *
26	81.7	136.4	223,700 *
28	80.8	136.0	204,500 *
30	79.9	135.7	187,700 *
32	79.0	135.2	172,900 *
34	78.1	134.8	159,700 *
36	77.2	134.3	146,200
38	76.3	133.8	132,400
40	75.4	133.3	120,400
42	74.4	132.7	109,900
44	73.5	132.1	100,700
46	72.6	131.4	92,400
48	71.7	130.8	85,100
50	70.7	130.1	78,400
55	68.4	128.1	64,500
60	66.0	125.9	53,300
65	63.5	123.4	44,100
70	61.0	120.7	36,500
75	58.4	117.6	30,000
80	55.8	114.3	24,400
85	53.0	110.6	19,600
140 Ft. Boom			
26	82.3	146.5	221,300 *
28	81.5	146.2	204,600 *
30	80.6	145.8	187,900 *
32	79.8	145.4	173,100 *
34	79.0	145.1	159,900 *
36	78.1	144.6	147,000
38	77.3	144.1	133,100
40	76.4	143.6	121,100
42	75.6	143.1	110,600
44	74.7	142.5	101,300
46	73.9	141.9	93,100
48	73.0	141.3	85,700
50	72.2	140.6	79,100
55	70.0	138.9	65,100
60	67.8	136.8	53,900
65	65.5	134.6	44,700
70	63.3	132.1	37,000
75	60.9	129.3	30,600
80	58.5	126.3	25,000
85	56.1	123.0	20,200
90	53.5	119.3	16,000

Oper. Rad. Feet	Boom Ang. Deg.	Boom Point Elev. Feet	Boom Capacity Pounds
150 Ft. Boom			
26	82.8	156.6	198,000 *
28	82.0	156.3	192,400 *
30	81.3	156.0	186,900 *
32	80.5	155.6	172,900 *
34	79.7	155.2	159,800 *
36	78.9	154.8	147,600
38	78.2	154.4	133,700
40	77.4	153.9	121,600
42	76.6	153.4	111,100
44	75.8	152.9	101,800
46	75.0	152.4	93,500
48	74.2	151.8	86,100
50	73.4	151.2	79,500
55	71.4	149.5	65,400
60	69.3	147.6	54,200
65	67.3	145.6	45,000
70	65.2	143.3	37,300
75	63.0	140.7	30,800
80	60.9	138.0	25,200
85	58.6	135.0	20,400
90	56.3	131.7	16,200
95	54.0	128.1	12,400
160 Ft. Boom			
28	82.5	166.4	183,900 *
30	81.8	166.1	178,700 *
32	81.1	165.8	172,900 *
34	80.4	165.4	159,700 *
36	79.6	165.1	148,000 *
38	78.9	164.6	134,100
40	78.2	164.2	122,000
42	77.4	163.7	111,500
44	76.7	163.2	102,200
46	75.9	162.7	93,900
48	75.2	162.2	86,500
50	74.5	161.6	79,800
55	72.6	160.1	65,700
60	70.7	158.3	54,400
65	68.8	156.4	45,200
70	66.8	154.3	37,500
75	64.9	152.0	31,000
80	62.8	149.4	25,400
85	60.8	146.6	20,600
90	58.7	143.6	16,400
95	56.6	140.4	12,600

Oper. Rad. Feet	Boom Ang. Deg.	Boom Point Elev. Feet	Boom Capacity Pounds
170 Ft. Boom			
28	83.0	176.5	168,800 *
30	82.3	176.2	164,600 *
32	81.6	175.9	160,500 *
34	80.9	175.6	156,500 *
36	80.2	175.2	148,100 *
38	79.6	174.9	134,500
40	78.9	174.4	122,500
42	78.2	174.0	111,900
44	77.5	173.6	102,600
46	76.8	173.1	94,300
48	76.1	172.6	86,800
50	75.4	172.0	80,200
55	73.7	170.6	66,100
60	71.9	168.9	54,800
65	70.1	167.1	45,600
70	68.3	165.2	37,900
75	66.4	163.0	31,300
80	64.6	160.6	25,800
85	62.7	158.1	20,900
90	60.8	155.3	16,700
95	58.8	152.3	12,900



Liftcrane Boom Capacities With Luffing Jib Attached

Meets
 ANSI B30.5
 Requirements

888 SERIES 2

Boom No. 22EL
Luffing Jib No. 135
179,100 Lb. Crane Counterweight
44,000 Lb. Carbody Counterweight
28 Ft. 2 in. Crawlers Extended
360 Degree Rating

160 Ft. Luffing Jib Attached At 168 Degree Boom To Luffing Jib Angle

Oper. Rad. Feet	Boom Ang. Deg.	Boom Point Elev. Feet	Boom Capacity Pounds
180 Ft. Boom			
30	82.7	186.3	155,800 *
32	82.1	186.0	152,000 *
34	81.4	185.7	148,200 *
36	80.8	185.4	144,400 *
38	80.2	185.0	134,800
40	79.5	184.6	122,700
42	78.8	184.2	112,100
44	78.2	183.8	102,800
46	77.6	183.4	94,400
48	76.9	182.9	87,000
50	76.2	182.4	80,300
55	74.6	181.0	66,200
60	72.9	179.5	54,900
65	71.2	177.8	45,700
70	69.5	175.9	37,900
75	67.8	173.9	31,400
80	66.1	171.7	25,800
85	64.3	169.3	21,000
90	62.5	166.7	16,700
95	60.7	164.0	13,000

Oper. Rad. Feet	Boom Ang. Deg.	Boom Point Elev. Feet	Boom Capacity Pounds
190 Ft. Boom			
32	82.5	196.1	118,000 *
34	81.9	195.9	118,000 *
36	81.3	195.5	118,000 *
38	80.7	195.2	118,000 *
40	80.1	194.8	118,000 *
42	79.4	194.4	112,900
44	78.8	194.0	103,500
46	78.2	193.6	95,200
48	77.6	193.1	87,800
50	77.0	192.7	81,000
55	75.4	191.4	66,900
60	73.8	189.9	55,600
65	72.3	188.4	46,300
70	70.7	186.6	38,500
75	69.1	184.7	32,000
80	67.4	182.6	26,400
85	65.8	180.4	21,500
90	64.1	178.0	17,300
95	62.4	175.4	13,500
100	60.7	172.6	10,200



Liftcrane Boom Capacities With Luffing Jib Attached

Meets
ANSI B30.5
Requirements

888 SERIES 2

Boom No. 22EL
Luffing Jib No. 135
179,100 Lb. Crane Counterweight
44,000 Lb. Carbody Counterweight
28 Ft. 2 in. Crawlers Extended
360 Degree Rating

170 Ft. Luffing Jib Attached At 168 Degree Boom To Luffing Jib Angle

Oper. Rad. Feet	Boom Ang. Deg.	Boom Point Elev. Feet	Boom Capacity Pounds
70 Ft. Boom			
16	82.8	77.2	377,800 *
17	82.0	77.1	353,800 *
18	81.1	76.9	332,300 *
19	80.3	76.7	312,800 *
20	79.5	76.5	295,100 *
22	77.8	76.0	264,100 *
24	76.1	75.5	237,900 *
26	74.4	74.9	215,500 *
28	72.7	74.2	196,100 *
30	70.9	73.5	179,100 *
32	69.2	72.7	164,100 *
34	67.4	71.8	148,400
36	65.6	70.9	132,700
38	63.7	69.8	119,200
40	61.8	68.7	107,600
42	60.0	67.5	97,300
44	58.0	66.2	88,300
46	56.0	64.8	80,300
48	54.0	63.3	73,100
50	51.9	61.7	66,600
80 Ft. Boom			
17	83.0	87.2	354,800 *
18	82.3	87.0	333,300 *
19	81.5	86.9	313,900 *
20	80.8	86.7	296,300 *
22	79.3	86.3	265,400 *
24	77.9	85.8	239,300 *
26	76.4	85.3	217,000 *
28	74.9	84.7	197,600 *
30	73.4	84.1	180,700 *
32	71.9	83.4	165,800 *
34	70.4	82.7	151,500
36	68.8	81.8	135,700
38	67.2	81.0	122,100
40	65.7	80.0	110,400
42	64.1	79.0	100,100
44	62.4	77.9	91,000
46	60.8	76.8	83,000
48	59.1	75.6	75,800
50	57.4	74.2	69,300
55	52.9	70.6	55,500

Oper. Rad. Feet	Boom Ang. Deg.	Boom Point Elev. Feet	Boom Capacity Pounds
90 Ft. Boom			
19	82.5	97.0	314,900 *
20	81.8	96.8	297,300 *
22	80.5	96.5	266,600 *
24	79.2	96.1	240,500 *
26	77.9	95.6	218,300 *
28	76.6	95.1	199,000 *
30	75.3	94.6	182,100 *
32	74.0	93.9	167,200 *
34	72.6	93.3	154,000
36	71.3	92.6	138,100
38	69.9	91.8	124,500
40	68.6	91.0	112,700
42	67.2	90.1	102,300
44	65.8	89.2	93,200
46	64.3	88.2	85,100
48	62.9	87.2	77,900
50	61.4	86.0	71,400
55	57.7	82.9	57,600
60	53.8	79.3	46,600
100 Ft. Boom			
20	82.7	107.0	298,300 *
22	81.5	106.6	267,600 *
24	80.3	106.3	241,700 *
26	79.2	105.9	219,500 *
28	78.0	105.4	200,200 *
30	76.8	104.9	183,400 *
32	75.6	104.4	168,500 *
34	74.4	103.8	155,400 *
36	73.2	103.2	140,000
38	72.0	102.5	126,400
40	70.8	101.8	114,600
42	69.6	101.0	104,200
44	68.3	100.2	95,100
46	67.1	99.3	87,000
48	65.8	98.4	79,700
50	64.6	97.4	73,200
55	61.3	94.7	59,400
60	57.9	91.6	48,300
65	54.4	88.1	39,300

Oper. Rad. Feet	Boom Ang. Deg.	Boom Point Elev. Feet	Boom Capacity Pounds
110 Ft. Boom			
22	82.3	116.8	268,000 *
24	81.2	116.4	242,100 *
26	80.2	116.1	220,000 *
28	79.1	115.7	200,800 *
30	78.0	115.2	184,000 *
32	77.0	114.7	169,100 *
34	75.9	114.2	156,000 *
36	74.8	113.6	141,500
38	73.7	113.0	127,800
40	72.6	112.4	115,900
42	71.5	111.7	105,500
44	70.4	110.9	96,400
46	69.3	110.2	88,200
48	68.2	109.3	80,900
50	67.0	108.5	74,400
55	64.1	106.1	60,500
60	61.2	103.3	49,400
65	58.1	100.3	40,300
70	55.0	96.8	32,800
75	51.7	92.9	26,400
120 Ft. Boom			
22	82.9	126.9	268,500 *
24	82.0	126.6	242,600 *
26	81.0	126.2	220,500 *
28	80.0	125.9	201,300 *
30	79.1	125.4	184,500 *
32	78.1	125.0	169,700 *
34	77.1	124.5	156,600 *
36	76.1	124.0	142,700
38	75.1	123.5	128,900
40	74.1	122.9	117,000
42	73.1	122.2	106,600
44	72.1	121.6	97,500
46	71.1	120.9	89,300
48	70.1	120.1	82,000
50	69.1	119.3	75,400
55	66.4	117.2	61,500
60	63.8	114.7	50,400
65	61.1	112.0	41,300
70	58.3	109.0	33,700
75	55.4	105.6	27,300
80	52.4	101.8	21,800



Liftcrane Boom Capacities With Luffing Jib Attached

Meets
ANSI B30.5
Requirements

888 SERIES 2

Boom No. 22EL
Luffing Jib No. 135
179,100 Lb. Crane Counterweight
44,000 Lb. Carbody Counterweight
28 Ft. 2 in. Crawlers Extended
360 Degree Rating

170 Ft. Luffing Jib Attached At 168 Degree Boom To Luffing Jib Angle

Oper. Rad. Feet	Boom Ang. Deg.	Boom Point Elev. Feet	Boom Capacity Pounds
130 Ft. Boom			
24	82.6	136.7	236,300 *
26	81.7	136.4	221,000 *
28	80.8	136.0	201,900 *
30	79.9	135.7	185,100 *
32	79.0	135.2	170,400 *
34	78.1	134.8	157,200 *
36	77.2	134.3	143,800
38	76.3	133.8	130,000
40	75.4	133.3	118,100
42	74.4	132.7	107,700
44	73.5	132.1	98,500
46	72.6	131.4	90,300
48	71.7	130.8	83,000
50	70.7	130.1	76,400
55	68.4	128.1	62,500
60	66.0	125.9	51,400
65	63.5	123.4	42,300
70	61.0	120.7	34,700
75	58.4	117.6	28,200
80	55.8	114.3	22,700
85	53.0	110.6	17,900
140 Ft. Boom			
26	82.3	146.5	218,500 *
28	81.5	146.2	202,100 *
30	80.6	145.8	185,400 *
32	79.8	145.4	170,700 *
34	79.0	145.1	157,600 *
36	78.1	144.6	144,600
38	77.3	144.1	130,800
40	76.4	143.6	118,900
42	75.6	143.1	108,400
44	74.7	142.5	99,200
46	73.9	141.9	91,000
48	73.0	141.3	83,700
50	72.2	140.6	77,100
55	70.0	138.9	63,200
60	67.8	136.8	52,000
65	65.5	134.6	42,900
70	63.3	132.1	35,300
75	60.9	129.3	28,900
80	58.5	126.3	23,300
85	56.1	123.0	18,600
90	53.5	119.3	14,400

Oper. Rad. Feet	Boom Ang. Deg.	Boom Point Elev. Feet	Boom Capacity Pounds
150 Ft. Boom			
26	82.8	156.6	195,400 *
28	82.0	156.3	189,800 *
30	81.3	156.0	184,200 *
32	80.5	155.6	170,600 *
34	79.7	155.2	157,500 *
36	78.9	154.8	145,300
38	78.2	154.4	131,500
40	77.4	153.9	119,500
42	76.6	153.4	109,000
44	75.8	152.9	99,800
46	75.0	152.4	91,500
48	74.2	151.8	84,200
50	73.4	151.2	77,600
55	71.4	149.5	63,600
60	69.3	147.6	52,400
65	67.3	145.6	43,200
70	65.2	143.3	35,600
75	63.0	140.7	29,200
80	60.9	138.0	23,600
85	58.6	135.0	18,800
90	56.3	131.7	14,600
95	54.0	128.1	10,900
160 Ft. Boom			
28	82.5	166.4	181,200 *
30	81.8	166.1	176,000 *
32	81.1	165.8	170,500 *
34	80.4	165.4	157,500 *
36	79.6	165.1	145,800 *
38	78.9	164.6	131,900
40	78.2	164.2	119,900
42	77.4	163.7	109,400
44	76.7	163.2	100,200
46	75.9	162.7	91,900
48	75.2	162.2	84,600
50	74.5	161.6	77,900
55	72.6	160.1	63,900
60	70.7	158.3	52,700
65	68.8	156.4	43,500
70	66.8	154.3	35,900
75	64.9	152.0	29,400
80	62.8	149.4	23,900
85	60.8	146.6	19,100
90	58.7	143.6	14,900
95	56.6	140.4	11,200

Oper. Rad. Feet	Boom Ang. Deg.	Boom Point Elev. Feet	Boom Capacity Pounds
170 Ft. Boom			
28	83.0	176.5	166,300 *
30	82.3	176.2	162,100 *
32	81.6	175.9	158,000 *
34	80.9	175.6	153,900 *
36	80.2	175.2	145,900 *
38	79.6	174.9	132,400
40	78.9	174.4	120,400
42	78.2	174.0	109,900
44	77.5	173.6	100,600
46	76.8	173.1	92,400
48	76.1	172.6	85,000
50	75.4	172.0	78,300
55	73.7	170.6	64,300
60	71.9	168.9	53,100
65	70.1	167.1	43,900
70	68.3	165.2	36,300
75	66.4	163.0	29,800
80	64.6	160.6	24,200
85	62.7	158.1	19,400
90	60.8	155.3	15,200
95	58.8	152.3	11,500



Liftcrane Boom Capacities With Luffing Jib Attached

Meets
ANSI B30.5
Requirements

888 SERIES 2

Boom No. 22EL
Luffing Jib No. 135
179,100 Lb. Crane Counterweight
44,000 Lb. Carbody Counterweight
28 Ft. 2 in. Crawlers Extended
360 Degree Rating

170 Ft. Luffing Jib Attached At 168 Degree Boom To Luffing Jib Angle

Oper. Rad. Feet	Boom Ang. Deg.	Boom Point Elev. Feet	Boom Capacity Pounds
180 Ft. Boom			
30	82.7	186.3	153,300 *
32	82.1	186.0	149,400 *
34	81.4	185.7	145,600 *
36	80.8	185.4	141,800 *
38	80.2	185.0	132,700
40	79.5	184.6	120,700
42	78.8	184.2	110,100
44	78.2	183.8	100,800
46	77.6	183.4	92,600
48	76.9	182.9	85,200
50	76.2	182.4	78,500
55	74.6	181.0	64,500
60	72.9	179.5	53,300
65	71.2	177.8	44,100
70	69.5	175.9	36,400
75	67.8	173.9	29,900
80	66.1	171.7	24,400
85	64.3	169.3	19,500
90	62.5	166.7	15,300
95	60.7	164.0	11,600

Oper. Rad. Feet	Boom Ang. Deg.	Boom Point Elev. Feet	Boom Capacity Pounds
190 Ft. Boom			
32	82.5	196.1	118,000 *
34	81.9	195.9	118,000 *
36	81.3	195.5	118,000 *
38	80.7	195.2	118,000 *
40	80.1	194.8	118,000 *
42	79.4	194.4	111,000
44	78.8	194.0	101,700
46	78.2	193.6	93,400
48	77.6	193.1	86,000
50	77.0	192.7	79,300
55	75.4	191.4	65,200
60	73.8	189.9	53,900
65	72.3	188.4	44,700
70	70.7	186.6	37,000
75	69.1	184.7	30,500
80	67.4	182.6	25,000
85	65.8	180.4	20,100
90	64.1	178.0	15,900
95	62.4	175.4	12,100

S/N: 8885093



Liftcrane Luffing Jib Capacities

Luffing Jib No. 135 On Boom No. 22EL
179,100 Lb. Crane Counterweight
44,000 Lb. Carbody Counterweight
28 Ft. 2 in. Crawlers Extended
360 Degree Rating

Designed And Tested
With The Intent To Be In
The Scope of ANSI B30.5

888 SERIES 2

LIFTING CAPACITIES: Lifting capacities for various boom lengths, boom angles, luffing jib lengths, and luffing jib operating radii are for freely suspended loads and do not exceed 75% of a static tipping load. Capacities based on structural competence are denoted by an asterisk (*). Capacities indicated by (b) require 2,825 Lb. minimum block weight.

190 Ft. boom length without intermediate fall in luffing jib requires only the middle two sheaves in the lower boom point; all other sheaves must be removed from lower boom point.

Lower boom point assembly must be completely removed from:

- 190 Ft. and 200 Ft. boom lengths with intermediate fall in luffing jib and
- 200 Ft. boom length without intermediate fall in luffing jib.

Weight of all load blocks, hooks, weight ball, slings, hoist lines, etc., beneath boom and luffing jib point sheaves, is considered part of luffing jib load. Boom and luffing jib are not to be lowered beyond radii where combined weights are greater than rated capacity. Where no capacity is shown, operation is not intended or approved.

OPERATING CONDITIONS: Machine to operate on a firm uniformly supporting surface with crawlers fully extended, gantry up and bearing turntable level within a tolerance of 1/2 in. in 10 Ft. and properly supported. During operation, boom must be maintained at one of the selected angles shown in chart. Refer to luffing jib assembly **No. 177063**, **No. 177354** or **No. A07691**, Wire Rope Specification chart **No. 7825-A** and Luffing Jib Raising Procedure chart **No. 7826-A**. Crane operator judgment must be used to allow for dynamic load effects of swinging, hoisting or lowering, travel, wind conditions, as well as adverse operating conditions and physical machine depreciation. Refer to operators manual for operating guidelines.

MACHINE TRAVEL: Machine to travel on a firm, level and uniformly supporting surface with boom and luffing jib within angle range shown in capacity chart. Refer to Maximum Allowable Travel Specification chart **No. 7827-A**.

OPERATING RADIUS: Operating radius is horizontal distance from axis of rotation to center of vertical hoist line or load block. Boom angle is angle between horizontal and centerline of boom butt and inserts. Luffing jib angle is angle between horizontal and centerline of luffing jib butt and inserts, and is an indication of operating radius. In all cases, operating radius shall govern capacity.

LUFFING JIB POINT ELEVATION: Luffing jib point elevation is vertical distance from ground level to centerline of luffing jib point shaft.

MACHINE EQUIPMENT: Machine equipped with 28 Ft. 2 in. extendible crawlers, 48 in. treads, 10 Ft. 3 in. retractable gantry, 30 Ft. live mast, 20 part boom hoist reeving, four 1-3/8 in. boom pendants, 8 part luffing jib hoist reeving, two 1-1/2 in. luffing jib pendants and backstays, 179,100 Lb. crane counterweight and 44,000 Lb. carbody counterweight.

Consult chart **No. 7831-A** for lifting off lower boom point with luffing jib attached. Consult chart **No. 8518-A** for intermediate fall capacities. Consult chart **No. 8578-A** for intermediate fall capacities with fixed jib attached. Chart **No. 7831-A** and **No. 8518-A** cannot be used when fixed jib No. 138 is attached to luffing jib No. 135.

Intermediate Fall Deduct
Deduct 1,500 Lbs. From Capacities When Luffing Jib Is Equipped With Intermediate Fall.

Deduct From Luffing Jib Capacities When Fixed Jib Is Attached	
Fixed Jib Length	Fixed Jib No.138
30 Ft.	2,300 Lbs.
40 Ft.	2,700 Lbs.
50 Ft.	3,100 Lbs.
60 Ft.	3,600 Lbs.

S/N: 8885093



Liftcrane Luffing Jib Capacities

888 SERIES 2

Luffing Jib No. 135 On Boom No. 22EL
 179,100 Lb. Crane Counterweight
 44,000 Lb. Carbody Counterweight
 28 Ft. 2 in. Crawlers Extended
 360 Degree Rating

Designed And Tested
 With The Intent To Be In
 The Scope of ANSI B30.5

70 Ft. Boom, 70 Ft. Jib

Jib Oper. Rad. Feet	88 Degree Boom Angle			83 Degree Boom Angle			80 Degree Boom Angle			75 Degree Boom Angle			70 Degree Boom Angle			65 Degree Boom Angle			60 Degree Boom Angle			Jib Oper. Rad. Feet
	Jib Ang. Deg.	Jib Point Elev. Feet	Luffing Jib Capacity Pounds	Jib Ang. Deg.	Jib Point Elev. Feet	Luffing Jib Capacity Pounds	Jib Ang. Deg.	Jib Point Elev. Feet	Luffing Jib Capacity Pounds	Jib Ang. Deg.	Jib Point Elev. Feet	Luffing Jib Capacity Pounds	Jib Ang. Deg.	Jib Point Elev. Feet	Luffing Jib Capacity Pounds	Jib Ang. Deg.	Jib Point Elev. Feet	Luffing Jib Capacity Pounds	Jib Ang. Deg.	Jib Point Elev. Feet	Luffing Jib Capacity Pounds	
40	64.3	141.0	101,800 *b																			40
45	59.7	138.4	96,700 *b	65.3	140.9	105,500 *b																45
50	54.8	135.2	93,800 *b	60.7	138.3	100,400 *b	64.1	139.6	104,300 *b													50
55	49.7	131.3	89,900 *	55.9	135.2	95,900 *b	59.4	136.9	99,500 *b													55
60	44.1	126.6	84,300 *	50.8	131.5	91,900 *	54.5	133.6	95,100 *b	60.3	135.9	93,600 b										60
65	37.8	120.9	75,600 *	45.3	127.0	86,600 *	49.3	129.7	87,100	55.4	132.7	84,600 b										65
70	30.5	113.5	68,300 *	39.2	121.5	77,500 *	43.7	125.0	79,400	50.3	129.0	77,200	56.2	131.2	74,900 b							70
75	21.1	103.1	55,800 *	32.2	114.6	69,900 *	37.4	119.1	72,900	44.8	124.4	70,800	51.1	127.6	68,800							75
80				23.4	105.1	62,500 *	30.0	111.6	67,300	38.6	118.8	65,400	45.6	123.1	63,500	51.7	125.5	61,600				80
85				8.5	87.6	46,800 *	20.4	101.0	60,800 *	31.5	111.6	60,700	39.6	117.7	58,900	46.3	121.2	57,200				85
90										22.4	101.8	56,500	32.6	110.8	54,900	40.3	115.8	53,300	46.7	118.5	51,700	90
95										5.2	81.5	49,300 *	24.0	101.6	51,300	33.5	109.2	49,800	40.7	113.2	48,300	95
100													10.0	85.2	48,000	25.1	100.3	46,700	34.0	106.7	45,300	100
105																12.4	85.5	43,900	25.7	98.0	42,600	105
110																			13.6	84.0	40,100	110



Liftcrane Luffing Jib Capacities

888 SERIES 2

Luffing Jib No. 135 On Boom No. 22EL
 179,100 Lb. Crane Counterweight
 44,000 Lb. Carbody Counterweight
 28 Ft. 2 in. Crawlers Extended
 360 Degree Rating

Designed And Tested
 With The Intent To Be In
 The Scope of ANSI B30.5

70 Ft. Boom, 80 Ft. Jib

Jib Oper. Rad. Feet	88 Degree Boom Angle			83 Degree Boom Angle			80 Degree Boom Angle			75 Degree Boom Angle			70 Degree Boom Angle			65 Degree Boom Angle			60 Degree Boom Angle			Jib Oper. Rad. Feet
	Jib Ang. Deg.	Jib Point Elev. Feet	Luffing Jib Capacity Pounds	Jib Ang. Deg.	Jib Point Elev. Feet	Luffing Jib Capacity Pounds	Jib Ang. Deg.	Jib Point Elev. Feet	Luffing Jib Capacity Pounds	Jib Ang. Deg.	Jib Point Elev. Feet	Luffing Jib Capacity Pounds	Jib Ang. Deg.	Jib Point Elev. Feet	Luffing Jib Capacity Pounds	Jib Ang. Deg.	Jib Point Elev. Feet	Luffing Jib Capacity Pounds	Jib Ang. Deg.	Jib Point Elev. Feet	Luffing Jib Capacity Pounds	
40	67.7	152.0	95,100 *b																			40
45	63.8	149.7	90,200 *b	68.6	151.7	98,600 *b																45
50	59.7	147.1	87,300 *b	64.7	149.6	93,800 *b	67.5	150.5	97,300 *b													50
55	55.5	143.9	83,200 *	60.6	147.0	89,200 *b	63.6	148.2	92,800 *b													55
60	51.0	140.1	79,600 *	56.4	143.9	85,100 *	59.5	145.5	88,400 *b													60
65	46.3	135.7	75,800 *	52.0	140.3	81,400 *	55.2	142.3	84,400 *	60.2	144.6	84,300 b										65
70	41.1	130.5	68,600 *	47.3	136.1	77,700 *	50.7	138.6	79,200	56.0	141.4	76,900										70
75	35.3	124.2	62,400 *	42.2	131.0	70,200 *	45.9	134.1	72,700	51.6	137.8	70,600	56.7	139.9	68,400							75
80	28.5	116.1	57,100 *	36.6	125.0	63,800 *	40.7	128.8	67,100	46.9	133.5	65,200	52.3	136.4	63,200							80
85	19.7	104.9	47,200 *	30.1	117.4	58,300 *	34.9	122.4	62,300 *	41.7	128.3	60,500	47.6	132.2	58,600	52.8	134.3	56,800				85
90				21.9	107.1	52,800 *	28.0	114.2	57,000 *	36.0	122.1	56,300	42.5	127.2	54,600	48.1	130.1	53,000				90
95				7.9	88.3	40,200 *	19.0	102.7	51,600 *	29.4	114.4	52,700	36.9	121.2	51,100	43.1	125.3	49,500				95
100										21.0	103.7	49,400	30.5	113.7	47,900	37.6	119.4	46,500	43.5	122.6	45,000	100
105										4.9	81.9	42,600 *	22.4	103.6	45,100	31.3	112.1	43,700	38.0	116.8	42,400	105
110													9.3	86.0	42,400	23.5	102.4	41,200	31.7	109.6	40,000	110
115																11.6	86.6	38,900	24.1	100.2	37,800	115
120																12.7	85.1	35,700	12.7	85.1	35,700	120



Liftcrane Luffing Jib Capacities

888 SERIES 2

Luffing Jib No. 135 On Boom No. 22EL
 179,100 Lb. Crane Counterweight
 44,000 Lb. Carbody Counterweight
 28 Ft. 2 in. Crawlers Extended
 360 Degree Rating

Designed And Tested
 With The Intent To Be In
 The Scope of ANSI B30.5

70 Ft. Boom, 90 Ft. Jib

Jib Oper. Rad. Feet	88 Degree Boom Angle			83 Degree Boom Angle			80 Degree Boom Angle			75 Degree Boom Angle			70 Degree Boom Angle			65 Degree Boom Angle			60 Degree Boom Angle			Jib Oper. Rad. Feet
	Jib Ang. Deg.	Jib Point Elev. Feet	Luffing Jib Capacity Pounds	Jib Ang. Deg.	Jib Point Elev. Feet	Luffing Jib Capacity Pounds	Jib Ang. Deg.	Jib Point Elev. Feet	Luffing Jib Capacity Pounds	Jib Ang. Deg.	Jib Point Elev. Feet	Luffing Jib Capacity Pounds	Jib Ang. Deg.	Jib Point Elev. Feet	Luffing Jib Capacity Pounds	Jib Ang. Deg.	Jib Point Elev. Feet	Luffing Jib Capacity Pounds	Jib Ang. Deg.	Jib Point Elev. Feet	Luffing Jib Capacity Pounds	
40	70.3	162.7	83,400 *b																			40
45	66.9	160.7	79,200 *b																			45
50	63.4	158.4	76,800 *	67.6	160.5	82,300 *b																50
55	59.8	155.7	73,300 *	64.2	158.3	78,500 *b	66.7	159.3	81,300 *b													55
60	56.0	152.6	70,200 *	60.6	155.7	75,000 *	63.2	156.9	77,700 *													60
65	52.1	148.9	67,300 *	56.8	152.6	71,900 *	59.5	154.2	74,500 *													65
70	47.9	144.8	64,600 *	52.9	149.1	68,900 *	55.8	151.0	71,400 *	60.2	153.2	75,100 *										70
75	43.5	139.9	62,200 *	48.8	145.0	66,100 *	51.8	147.4	68,500 *	56.5	150.1	70,400										75
80	38.6	134.1	57,800 *	44.5	140.3	63,600 *	47.7	143.1	65,800 *	52.6	146.6	65,000	57.1	148.6	63,000							80
85	33.2	127.2	53,200 *	39.7	134.8	59,000 *	43.2	138.2	62,200	48.4	142.4	60,300	53.2	145.1	58,400							85
90	26.8	118.6	49,100 *	34.4	128.2	54,300 *	38.3	132.4	57,700 *	44.0	137.7	56,200	49.1	141.1	54,400							90
95	18.6	106.6	40,800 *	28.3	120.0	50,100 *	32.8	125.4	53,100 *	39.2	132.0	52,500	44.7	136.4	50,900	49.6	139.1	49,300				95
100				20.6	109.0	45,600 *	26.4	116.6	49,100 *	33.9	125.3	49,300	40.0	130.9	47,800	45.2	134.5	46,300				100
105				7.5	89.0	35,200 *	17.9	104.3	44,800 *	27.7	116.9	46,400	34.8	124.4	45,000	40.6	129.1	43,600	45.5	131.8	42,200	105
110										19.7	105.5	43,700	28.7	116.3	42,400	35.4	122.7	41,100	40.9	126.5	39,800	110
115										4.6	82.3	37,500 *	21.1	105.5	40,100	29.4	114.8	38,800	35.7	120.1	37,600	115
120													8.8	86.8	37,900	22.1	104.4	36,800	29.9	112.4	35,600	120
125																10.9	87.6	34,800	22.7	102.2	33,800	125
130																			11.9	86.2	32,100	130



Liftcrane Luffing Jib Capacities

888 SERIES 2

Luffing Jib No. 135 On Boom No. 22EL
 179,100 Lb. Crane Counterweight
 44,000 Lb. Carbody Counterweight
 28 Ft. 2 in. Crawlers Extended
 360 Degree Rating

Designed And Tested
 With The Intent To Be In
 The Scope of ANSI B30.5

70 Ft. Boom, 100 Ft. Jib

Jib Oper. Rad. Feet	88 Degree Boom Angle			83 Degree Boom Angle			80 Degree Boom Angle			75 Degree Boom Angle			70 Degree Boom Angle			65 Degree Boom Angle			60 Degree Boom Angle			Jib Oper. Rad. Feet
	Jib Ang. Deg.	Jib Point Elev. Feet	Luffing Jib Capacity Pounds	Jib Ang. Deg.	Jib Point Elev. Feet	Luffing Jib Capacity Pounds	Jib Ang. Deg.	Jib Point Elev. Feet	Luffing Jib Capacity Pounds	Jib Ang. Deg.	Jib Point Elev. Feet	Luffing Jib Capacity Pounds	Jib Ang. Deg.	Jib Point Elev. Feet	Luffing Jib Capacity Pounds	Jib Ang. Deg.	Jib Point Elev. Feet	Luffing Jib Capacity Pounds	Jib Ang. Deg.	Jib Point Elev. Feet	Luffing Jib Capacity Pounds	
40	72.4	173.2	77,900 *b																			40
45	69.3	171.5	75,300 *b																			45
50	66.2	169.5	71,700 *	70.0	171.2	76,700 *b																50
55	63.1	167.1	68,300 *	66.9	169.3	73,100 *																55
60	59.8	164.4	65,200 *	63.7	167.0	69,800 *	66.0	168.0	72,300 *													60
65	56.4	161.3	62,300 *	60.5	164.3	66,600 *	62.9	165.6	69,000 *													65
70	52.9	157.7	59,600 *	57.2	161.3	63,700 *	59.6	162.9	66,000 *													70
75	49.2	153.7	57,200 *	53.7	157.8	61,000 *	56.2	159.7	63,200 *	60.2	161.9	66,500 *										75
80	45.3	149.1	54,900 *	50.0	153.9	58,500 *	52.7	156.1	60,600 *	56.8	158.8	63,900 *										80
85	41.1	143.7	52,800 *	46.2	149.4	56,200 *	49.0	152.1	58,200 *	53.3	155.3	60,000	57.4	157.3	58,100							85
90	36.6	137.5	49,200 *	42.1	144.3	54,100 *	45.1	147.4	55,900 *	49.7	151.3	55,900	53.9	153.9	54,100							90
95	31.5	130.1	45,600 *	37.6	138.3	50,100 *	40.9	142.0	53,100 *	45.8	146.8	52,300	50.2	150.0	50,600							95
100	25.4	120.9	42,300 *	32.6	131.2	46,500 *	36.3	135.8	49,100 *	41.7	141.6	49,000	46.4	145.5	47,500	50.7	147.9	45,900				100
105	17.6	108.2	35,400 *	26.8	122.4	43,200 *	31.1	128.3	45,600 *	37.1	135.5	46,200	42.3	140.4	44,700	46.9	143.5	43,200				105
110				19.5	110.7	39,500 *	25.0	118.9	42,400 *	32.1	128.2	43,500	37.9	134.5	42,100	42.8	138.5	40,800	47.1	140.8	39,400	110
115				7.1	89.6	30,900 *	17.0	105.9	39,000 *	26.2	119.3	41,200	32.9	127.4	39,800	38.4	132.7	38,500	43.1	135.9	37,300	115
120										18.7	107.2	39,000	27.2	118.8	37,700	33.5	125.8	36,500	38.7	130.1	35,300	120
125										4.4	82.7	33,000 *	20.0	107.3	35,800	27.9	117.4	34,700	33.8	123.3	33,500	125
130													8.3	87.6	34,000	21.0	106.3	32,900	28.3	115.0	31,900	130
135																10.3	88.5	31,300	21.5	104.2	30,300	135
140																			11.3	87.2	28,800	140



Liftcrane Luffing Jib Capacities

888 SERIES 2

Luffing Jib No. 135 On Boom No. 22EL
 179,100 Lb. Crane Counterweight
 44,000 Lb. Carbody Counterweight
 28 Ft. 2 in. Crawlers Extended
 360 Degree Rating

Designed And Tested
 With The Intent To Be In
 The Scope of ANSI B30.5

70 Ft. Boom, 110 Ft. Jib

Jib Oper. Rad. Feet	88 Degree Boom Angle			83 Degree Boom Angle			80 Degree Boom Angle			75 Degree Boom Angle			70 Degree Boom Angle			65 Degree Boom Angle			60 Degree Boom Angle			Jib Oper. Rad. Feet
	Jib Ang. Deg.	Jib Point Elev. Feet	Luffing Jib Capacity Pounds	Jib Ang. Deg.	Jib Point Elev. Feet	Luffing Jib Capacity Pounds	Jib Ang. Deg.	Jib Point Elev. Feet	Luffing Jib Capacity Pounds	Jib Ang. Deg.	Jib Point Elev. Feet	Luffing Jib Capacity Pounds	Jib Ang. Deg.	Jib Point Elev. Feet	Luffing Jib Capacity Pounds	Jib Ang. Deg.	Jib Point Elev. Feet	Luffing Jib Capacity Pounds	Jib Ang. Deg.	Jib Point Elev. Feet	Luffing Jib Capacity Pounds	
40	74.0	183.7	73,700 *b																			40
45	71.3	182.1	71,700 *b																			45
50	68.5	180.3	68,700 *																			50
55	65.7	178.2	65,800 *	69.1	180.0	69,900 *																55
60	62.8	175.8	62,900 *	66.3	178.0	67,000 *																60
65	59.8	173.0	60,200 *	63.4	175.6	64,100 *	65.5	176.7	66,200 *													65
70	56.8	169.9	57,600 *	60.5	173.0	61,400 *	62.6	174.3	63,400 *													70
75	53.6	166.5	55,300 *	57.4	170.0	58,800 *	59.6	171.5	60,800 *													75
80	50.3	162.5	53,100 *	54.3	166.6	56,400 *	56.6	168.4	58,300 *	60.2	170.5	61,100 *										80
85	46.8	158.1	51,100 *	51.0	162.8	54,200 *	53.4	164.9	56,000 *	57.1	167.5	58,800 *										85
90	43.1	153.1	49,300 *	47.6	158.4	52,200 *	50.1	160.9	53,900 *	54.0	164.1	55,800 *	57.6	166.0	54,100							90
95	39.1	147.4	45,700 *	43.9	153.6	50,200 *	46.6	156.5	51,900 *	50.7	160.2	52,200	54.5	162.6	50,600							95
100	34.8	140.8	42,600 *	40.0	148.0	46,600 *	42.9	151.4	49,200 *	47.2	155.8	49,000	51.2	158.8	47,400							100
105	30.0	132.9	39,800 *	35.8	141.6	43,400 *	38.9	145.7	45,700 *	43.6	150.9	46,100	47.8	154.5	44,600	51.6	156.7	43,200				105
110	24.2	123.1	34,900 *	31.1	134.0	40,500 *	34.5	139.0	42,600 *	39.6	145.3	43,500	44.1	149.7	42,100	48.2	152.5	40,700				110
115	16.8	109.7	29,400 *	25.6	124.7	37,900 *	29.6	131.0	39,800 *	35.4	138.8	41,200	40.3	144.2	39,800	44.6	147.7	38,500				115
120				18.6	112.4	32,800 *	23.8	121.0	37,200 *	30.6	131.0	39,000	36.0	137.8	37,800	40.7	142.3	36,500	44.8	145.1	35,300	120
125				6.8	90.2	25,800 *	16.2	107.3	32,500 *	25.0	121.6	37,100	31.3	130.3	35,900	36.5	136.1	34,700	41.0	139.7	33,500	125
130										17.8	108.8	35,200	25.9	121.1	34,100	31.9	128.7	33,000	36.8	133.5	31,900	130
135										4.2	83.1	27,700 *	19.1	109.1	32,500	26.6	119.8	31,400	32.2	126.2	30,400	135
140													7.9	88.3	30,900	20.0	108.2	29,900	27.0	117.4	28,900	140
145																9.9	89.4	28,500	20.5	106.0	27,600	145
150																			10.8	88.2	26,400	150



Liftcrane Luffing Jib Capacities

Luffing Jib No. 135 On Boom No. 22EL
 179,100 Lb. Crane Counterweight
 44,000 Lb. Carbody Counterweight
 28 Ft. 2 in. Crawlers Extended
 360 Degree Rating

Designed And Tested
 With The Intent To Be In
 The Scope of ANSI B30.5

888 SERIES 2

70 Ft. Boom, 120 Ft. Jib

Jib Oper. Rad. Feet	88 Degree Boom Angle			83 Degree Boom Angle			80 Degree Boom Angle			75 Degree Boom Angle			70 Degree Boom Angle			65 Degree Boom Angle			60 Degree Boom Angle			Jib Oper. Rad. Feet
	Jib Ang. Deg.	Jib Point Elev. Feet	Luffing Jib Capacity Pounds	Jib Ang. Deg.	Jib Point Elev. Feet	Luffing Jib Capacity Pounds	Jib Ang. Deg.	Jib Point Elev. Feet	Luffing Jib Capacity Pounds	Jib Ang. Deg.	Jib Point Elev. Feet	Luffing Jib Capacity Pounds	Jib Ang. Deg.	Jib Point Elev. Feet	Luffing Jib Capacity Pounds	Jib Ang. Deg.	Jib Point Elev. Feet	Luffing Jib Capacity Pounds	Jib Ang. Deg.	Jib Point Elev. Feet	Luffing Jib Capacity Pounds	
40	75.4	194.1	68,200 *b																			40
45	72.9	192.6	66,500 *b																			45
50	70.4	191.0	63,600 *																			50
55	67.8	189.1	60,800 *	70.9	190.7	64,500 *																55
60	65.2	186.9	58,300 *	68.4	188.8	61,900 *																60
65	62.6	184.4	55,800 *	65.8	186.7	59,400 *	67.7	187.6	61,100 *													65
70	59.8	181.7	53,500 *	63.1	184.3	56,900 *	65.0	185.4	58,700 *													70
75	57.0	178.6	51,200 *	60.4	181.6	54,600 *	62.4	182.9	56,300 *													75
80	54.1	175.2	49,000 *	57.6	178.6	52,200 *	59.7	180.2	54,000 *	62.9	181.9	56,300 *										80
85	51.1	171.4	47,000 *	54.8	175.3	50,000 *	56.8	177.1	51,700 *	60.2	179.2	54,200 *										85
90	48.0	167.1	45,100 *	51.8	171.6	48,000 *	53.9	173.6	49,600 *	57.4	176.2	52,100 *										90
95	44.7	162.3	43,300 *	48.7	167.4	46,000 *	50.9	169.8	47,600 *	54.5	172.8	50,000 *	57.8	174.6	50,200							95
100	41.2	157.0	41,700 *	45.4	162.7	44,200 *	47.8	165.5	45,700 *	51.5	169.0	48,000 *	54.9	171.3	47,100							100
105	37.4	150.9	39,700 *	42.0	157.5	42,500 *	44.5	160.7	43,900 *	48.4	164.8	45,800	52.0	167.6	44,300							105
110	33.3	143.8	37,200 *	38.3	151.6	40,400 *	41.0	155.3	42,200 *	45.1	160.1	43,300	48.9	163.5	41,800	52.3	165.5	40,400				110
115	28.6	135.5	34,900 *	34.2	144.7	37,800 *	37.2	149.1	39,700 *	41.6	154.8	40,900	45.6	158.8	39,500	49.2	161.4	38,200				115
120	23.2	125.2	30,500 *	29.7	136.7	35,500 *	33.0	142.0	37,200 *	37.9	148.8	38,800	42.2	153.6	37,500	46.0	156.9	36,200				120
125	16.1	111.2	25,800 *	24.5	126.9	33,300 *	28.3	133.6	34,900 *	33.8	141.9	36,800	38.5	147.7	35,600	42.6	151.7	34,400	46.2	154.2	33,200	125
130				17.8	114.0	28,900 *	22.8	123.1	32,800 *	29.2	133.7	35,000	34.5	141.0	33,800	38.9	145.9	32,700	42.8	149.1	31,500	130
135				6.5	90.8	22,800 *	15.5	108.7	28,700 *	23.9	123.7	33,200 *	30.0	133.0	32,200	34.9	139.3	31,100	39.2	143.3	30,000	135
140										17.1	110.3	31,200 *	24.8	123.4	30,700	30.5	131.5	29,700	35.2	136.7	28,600	140
145										4.0	83.4	24,600 *	18.3	110.7	29,300	25.4	122.1	28,300	30.8	129.1	27,300	145
150													7.6	89.0	28,000	19.1	109.9	27,100	25.8	119.8	26,100	150
155																9.4	90.2	25,900	19.6	107.8	25,000	155
160																			10.3	89.1	23,900	160



Liftcrane Luffing Jib Capacities

888 SERIES 2

Luffing Jib No. 135 On Boom No. 22EL
 179,100 Lb. Crane Counterweight
 44,000 Lb. Carbody Counterweight
 28 Ft. 2 in. Crawlers Extended
 360 Degree Rating

Designed And Tested
 With The Intent To Be In
 The Scope of ANSI B30.5

70 Ft. Boom, 130 Ft. Jib

Jib Oper. Rad. Feet	88 Degree Boom Angle			83 Degree Boom Angle			80 Degree Boom Angle			75 Degree Boom Angle			70 Degree Boom Angle			65 Degree Boom Angle			60 Degree Boom Angle			Jib Oper. Rad. Feet
	Jib Ang. Deg.	Jib Point Elev. Feet	Luffing Jib Capacity Pounds	Jib Ang. Deg.	Jib Point Elev. Feet	Luffing Jib Capacity Pounds	Jib Ang. Deg.	Jib Point Elev. Feet	Luffing Jib Capacity Pounds	Jib Ang. Deg.	Jib Point Elev. Feet	Luffing Jib Capacity Pounds	Jib Ang. Deg.	Jib Point Elev. Feet	Luffing Jib Capacity Pounds	Jib Ang. Deg.	Jib Point Elev. Feet	Luffing Jib Capacity Pounds	Jib Ang. Deg.	Jib Point Elev. Feet	Luffing Jib Capacity Pounds	
45	74.2	203.1	56,600 *																			45
50	71.9	201.5	54,200 *																			50
55	69.6	199.8	51,900 *																			55
60	67.2	197.8	49,700 *	70.1	199.5	52,600 *																60
65	64.8	195.6	47,600 *	67.7	197.6	50,400 *																65
70	62.4	193.1	45,600 *	65.3	195.4	48,300 *	67.1	196.4	49,700 *													70
75	59.8	190.4	43,700 *	62.9	193.0	46,400 *	64.7	194.1	47,800 *													75
80	57.3	187.3	42,000 *	60.4	190.3	44,500 *	62.2	191.6	45,900 *													80
85	54.6	183.9	40,300 *	57.8	187.3	42,700 *	59.7	188.8	44,100 *	62.7	190.6	45,900 *										85
90	51.8	180.2	38,700 *	55.2	184.0	41,000 *	57.1	185.8	42,300 *	60.1	187.9	44,200 *										90
95	49.0	176.0	37,200 *	52.4	180.3	39,400 *	54.4	182.4	40,600 *	57.6	184.8	42,500 *										95
100	46.0	171.5	35,700 *	49.6	176.3	37,800 *	51.7	178.6	39,100 *	54.9	181.5	40,900 *	58.0	183.3	42,300 *							100
105	42.8	166.4	34,400 *	46.7	171.8	36,400 *	48.8	174.4	37,600 *	52.2	177.8	39,300 *	55.3	180.0	40,800 *							105
110	39.5	160.6	33,100 *	43.5	166.8	35,000 *	45.8	169.8	36,100 *	49.3	173.7	37,900 *	52.6	176.4	39,400 *							110
115	35.9	154.2	32,000 *	40.2	161.3	33,700 *	42.6	164.7	34,800 *	46.4	169.2	36,500 *	49.8	172.3	38,000 *	52.9	174.3	38,000				115
120	31.9	146.7	30,900 *	36.7	155.0	32,500 *	39.3	158.9	33,500 *	43.2	164.2	35,100 *	46.8	167.9	36,600 *	50.1	170.3	36,000				120
125	27.5	138.0	29,900 *	32.8	147.8	31,400 *	35.7	152.4	32,300 *	39.9	158.5	33,900 *	43.7	162.9	35,400	47.2	165.9	34,100				125
130	22.3	127.2	27,100 *	28.5	139.3	30,400 *	31.7	144.9	31,200 *	36.3	152.1	32,700 *	40.4	157.4	33,600	44.1	161.0	32,400	47.4	163.2	31,300	130
135	15.4	112.6	23,000 *	23.5	129.1	29,500 *	27.2	136.0	30,200 *	32.4	144.8	31,600 *	36.9	151.2	32,000	40.8	155.5	30,900	44.3	158.3	29,800	135
140				17.1	115.6	25,800 *	21.9	125.1	29,300 *	28.1	136.3	30,600 *	33.1	144.0	30,500	37.3	149.4	29,500	41.0	152.9	28,400	140
145				6.2	91.3	20,400 *	14.9	110.0	25,700 *	23.0	125.8	29,600 *	28.8	135.7	29,200	33.5	142.4	28,100	37.6	146.8	27,100	145
150										16.4	111.8	28,000 *	23.8	125.5	27,900	29.3	134.2	26,900	33.8	139.8	25,900	150
155										3.8	83.8	22,100 *	17.6	112.3	26,700	24.4	124.3	25,700	29.6	131.7	24,800	155
160													7.3	89.6	25,500	18.4	111.5	24,600	24.8	122.0	23,800	160
170																			9.9	90.0	21,800	170



Liftcrane Luffing Jib Capacities

888 SERIES 2

Luffing Jib No. 135 On Boom No. 22EL
 179,100 Lb. Crane Counterweight
 44,000 Lb. Carbody Counterweight
 28 Ft. 2 in. Crawlers Extended
 360 Degree Rating

Designed And Tested
 With The Intent To Be In
 The Scope of ANSI B30.5

70 Ft. Boom, 140 Ft. Jib

Jib Oper. Rad. Feet	88 Degree Boom Angle			83 Degree Boom Angle			80 Degree Boom Angle			75 Degree Boom Angle			70 Degree Boom Angle			65 Degree Boom Angle			60 Degree Boom Angle			Jib Oper. Rad. Feet
	Jib Ang. Deg.	Jib Point Elev. Feet	Luffing Jib Capacity Pounds	Jib Ang. Deg.	Jib Point Elev. Feet	Luffing Jib Capacity Pounds	Jib Ang. Deg.	Jib Point Elev. Feet	Luffing Jib Capacity Pounds	Jib Ang. Deg.	Jib Point Elev. Feet	Luffing Jib Capacity Pounds	Jib Ang. Deg.	Jib Point Elev. Feet	Luffing Jib Capacity Pounds	Jib Ang. Deg.	Jib Point Elev. Feet	Luffing Jib Capacity Pounds	Jib Ang. Deg.	Jib Point Elev. Feet	Luffing Jib Capacity Pounds	
45	75.4	213.4	52,300 *																			45
50	73.3	212.0	50,100 *																			50
55	71.1	210.4	48,000 *																			55
60	68.9	208.6	45,900 *																			60
65	66.7	206.6	43,900 *	69.4	208.3	46,500 *																65
70	64.5	204.3	42,000 *	67.2	206.3	44,600 *																70
75	62.2	201.8	40,200 *	65.0	204.1	42,700 *	66.6	205.1	44,000 *													75
80	59.9	199.0	38,500 *	62.7	201.7	40,900 *	64.3	202.8	42,200 *													80
85	57.5	196.0	36,900 *	60.4	199.0	39,200 *	62.0	200.3	40,400 *													85
90	55.0	192.6	35,300 *	58.0	196.0	37,500 *	59.7	197.5	38,800 *	62.5	199.2	40,400 *										90
95	52.5	189.0	33,800 *	55.5	192.7	35,900 *	57.3	194.4	37,100 *	60.1	196.5	38,900 *										95
100	49.8	184.9	32,400 *	53.0	189.1	34,400 *	54.8	191.1	35,600 *	57.7	193.5	37,300 *										100
105	47.1	180.5	31,100 *	50.4	185.1	33,000 *	52.3	187.4	34,100 *	55.3	190.2	35,800 *										105
110	44.2	175.6	29,800 *	47.7	180.8	31,700 *	49.7	183.3	32,700 *	52.8	186.6	34,400 *	55.7	188.7	35,800 *							110
115	41.2	170.2	28,600 *	44.9	176.0	30,400 *	46.9	178.9	31,400 *	50.1	182.6	33,000 *	53.2	185.1	34,400 *							115
120	38.0	164.2	27,500 *	41.9	170.7	29,200 *	44.0	173.9	30,100 *	47.4	178.2	31,700 *	50.6	181.2	33,100 *							120
125	34.6	157.3	26,400 *	38.7	164.8	28,000 *	41.0	168.5	28,900 *	44.6	173.4	30,400 *	47.9	176.9	31,800 *	50.9	179.1	32,900 *				125
130	30.8	149.5	25,500 *	35.3	158.2	26,900 *	37.8	162.4	27,800 *	41.6	168.0	29,200 *	45.0	172.1	30,600 *	48.2	174.9	31,800 *				130
135	26.5	140.4	24,600 *	31.6	150.6	25,900 *	34.3	155.5	26,700 *	38.4	162.1	28,100 *	42.1	166.9	29,400 *	45.4	170.2	30,600 *				135
140	21.4	129.1	23,800 *	27.5	141.8	25,000 *	30.5	147.7	25,700 *	35.0	155.4	27,000 *	38.9	161.0	28,300 *	42.4	165.0	29,100 *	45.5	167.5	28,100	140
145	14.9	113.9	20,300 *	22.6	131.1	24,100 *	26.2	138.4	24,800 *	31.2	147.7	26,000 *	35.5	154.4	27,300 *	39.3	159.2	27,800	42.6	162.3	26,800	145
150				16.5	117.0	22,900 *	21.1	127.0	24,000 *	27.0	138.7	25,100 *	31.8	146.9	26,300 *	35.9	152.7	26,600	39.5	156.6	25,600	150
155				6.0	91.9	18,100 *	14.4	111.3	22,800 *	22.1	127.8	24,300 *	27.7	138.2	25,300 *	32.3	145.3	25,400	36.1	150.1	24,500	155
160										15.8	113.2	23,600 *	22.9	127.6	24,500 *	28.2	136.7	24,400	32.5	142.8	23,400	160
170													7.0	90.2	22,800 *	17.7	113.1	22,400	23.8	124.2	21,500	170
180																			9.6	90.8	19,800	180



Liftcrane Luffing Jib Capacities

888 SERIES 2

Luffing Jib No. 135 On Boom No. 22EL
 179,100 Lb. Crane Counterweight
 44,000 Lb. Carbody Counterweight
 28 Ft. 2 in. Crawlers Extended
 360 Degree Rating

Designed And Tested
 With The Intent To Be In
 The Scope of ANSI B30.5

70 Ft. Boom, 150 Ft. Jib

Jib Oper. Rad. Feet	88 Degree Boom Angle			83 Degree Boom Angle			80 Degree Boom Angle			75 Degree Boom Angle			70 Degree Boom Angle			65 Degree Boom Angle			60 Degree Boom Angle			Jib Oper. Rad. Feet
	Jib Ang. Deg.	Jib Point Elev. Feet	Luffing Jib Capacity Pounds	Jib Ang. Deg.	Jib Point Elev. Feet	Luffing Jib Capacity Pounds	Jib Ang. Deg.	Jib Point Elev. Feet	Luffing Jib Capacity Pounds	Jib Ang. Deg.	Jib Point Elev. Feet	Luffing Jib Capacity Pounds	Jib Ang. Deg.	Jib Point Elev. Feet	Luffing Jib Capacity Pounds	Jib Ang. Deg.	Jib Point Elev. Feet	Luffing Jib Capacity Pounds	Jib Ang. Deg.	Jib Point Elev. Feet	Luffing Jib Capacity Pounds	
50	74.4	222.4	46,500 *																			50
55	72.4	220.9	44,500 *																			55
60	70.4	219.3	42,600 *																			60
65	68.4	217.4	40,700 *	70.8	219.0	43,100 *																65
70	66.3	215.3	38,900 *	68.8	217.1	41,200 *																70
75	64.2	213.0	37,200 *	66.7	215.1	39,500 *																75
80	62.0	210.4	35,500 *	64.6	212.8	37,800 *	66.2	213.8	38,900 *													80
85	59.9	207.7	34,000 *	62.5	210.3	36,100 *	64.1	211.5	37,300 *													85
90	57.6	204.6	32,500 *	60.3	207.6	34,600 *	61.9	208.9	35,700 *													90
95	55.3	201.3	31,000 *	58.1	204.6	33,000 *	59.7	206.2	34,200 *	62.3	207.9	35,700 *										95
100	53.0	197.7	29,700 *	55.8	201.4	31,600 *	57.5	203.1	32,700 *	60.1	205.2	34,300 *										100
105	50.6	193.8	28,400 *	53.5	197.8	30,200 *	55.2	199.8	31,300 *	57.9	202.2	32,900 *										105
110	48.0	189.5	27,100 *	51.1	194.0	28,900 *	52.8	196.1	29,900 *	55.6	198.9	31,500 *										110
115	45.4	184.8	26,000 *	48.6	189.8	27,600 *	50.4	192.2	28,600 *	53.3	195.3	30,200 *	56.0	197.4	31,400 *							115
120	42.7	179.6	24,800 *	46.0	185.1	26,400 *	47.9	187.9	27,400 *	50.8	191.4	28,900 *	53.6	193.9	30,200 *							120
125	39.8	173.9	23,800 *	43.3	180.1	25,300 *	45.2	183.1	26,200 *	48.3	187.2	27,700 *	51.2	190.0	28,900 *							125
130	36.7	167.5	22,800 *	40.4	174.5	24,200 *	42.5	177.9	25,100 *	45.7	182.5	26,500 *	48.7	185.8	27,800 *	51.5	188.0	28,800 *				130
135	33.3	160.4	21,900 *	37.4	168.3	23,200 *	39.6	172.2	24,000 *	43.0	177.4	25,400 *	46.1	181.2	26,600 *	49.0	183.8	27,700 *				135
140	29.7	152.2	21,000 *	34.1	161.3	22,200 *	36.5	165.8	23,000 *	40.1	171.8	24,300 *	43.4	176.2	25,500 *	46.4	179.2	26,600 *				140
145	25.6	142.7	20,100 *	30.5	153.4	21,300 *	33.1	158.6	22,100 *	37.1	165.5	23,300 *	40.6	170.6	24,400 *	43.7	174.3	25,500 *	46.6	176.6	26,400 *	145
150	20.7	131.0	19,400 *	26.5	144.2	20,500 *	29.4	150.3	21,200 *	33.8	158.5	22,300 *	37.5	164.5	23,400 *	40.9	168.8	24,500 *	43.9	171.6	25,400 *	150
155	14.4	115.2	18,200 *	21.8	133.1	19,700 *	25.3	140.7	20,300 *	30.1	150.4	21,400 *	34.3	157.6	22,500 *	37.9	162.7	23,500 *	41.1	166.2	24,400 *	155
160				15.9	118.5	19,100 *	20.4	128.8	19,600 *	26.1	141.1	20,600 *	30.7	149.7	21,600 *	34.7	155.9	22,600 *	38.1	160.1	23,400 *	160
170										15.3	114.6	19,200 *	22.1	129.6	20,000 *	27.2	139.2	20,900 *	31.4	145.7	21,500 *	170
180													6.8	90.8	19,000 *	17.1	114.6	19,500 *	23.0	126.2	19,800 *	180
190																			9.2	91.7	18,300 *	190



Liftcrane Luffing Jib Capacities

888 SERIES 2

Luffing Jib No. 135 On Boom No. 22EL
 179,100 Lb. Crane Counterweight
 44,000 Lb. Carbody Counterweight
 28 Ft. 2 in. Crawlers Extended
 360 Degree Rating

Designed And Tested
 With The Intent To Be In
 The Scope of ANSI B30.5

70 Ft. Boom, 160 Ft. Jib

Jib Oper. Rad. Feet	88 Degree Boom Angle			83 Degree Boom Angle			80 Degree Boom Angle			75 Degree Boom Angle			70 Degree Boom Angle			65 Degree Boom Angle			60 Degree Boom Angle			Jib Oper. Rad. Feet
	Jib Ang. Deg.	Jib Point Elev. Feet	Luffing Jib Capacity Pounds	Jib Ang. Deg.	Jib Point Elev. Feet	Luffing Jib Capacity Pounds	Jib Ang. Deg.	Jib Point Elev. Feet	Luffing Jib Capacity Pounds	Jib Ang. Deg.	Jib Point Elev. Feet	Luffing Jib Capacity Pounds	Jib Ang. Deg.	Jib Point Elev. Feet	Luffing Jib Capacity Pounds	Jib Ang. Deg.	Jib Point Elev. Feet	Luffing Jib Capacity Pounds	Jib Ang. Deg.	Jib Point Elev. Feet	Luffing Jib Capacity Pounds	
50	75.4	232.8	42,800 *																			50
55	73.6	231.4	40,900 *																			55
60	71.7	229.8	39,100 *																			60
65	69.8	228.1	37,300 *																			65
70	67.9	226.1	35,600 *	70.2	227.8	37,800 *																70
75	65.9	224.0	34,000 *	68.3	225.9	36,100 *																75
80	63.9	221.7	32,400 *	66.3	223.8	34,500 *	67.7	224.7	35,500 *													80
85	61.9	219.1	30,900 *	64.4	221.5	32,900 *	65.8	222.5	34,000 *													85
90	59.9	216.3	29,500 *	62.4	219.0	31,400 *	63.8	220.2	32,500 *													90
95	57.8	213.3	28,100 *	60.3	216.3	30,000 *	61.8	217.6	31,000 *													95
100	55.6	210.0	26,700 *	58.2	213.3	28,600 *	59.7	214.8	29,600 *	62.2	216.6	31,000 *										100
105	53.4	206.5	25,500 *	56.1	210.1	27,200 *	57.6	211.8	28,200 *	60.1	213.8	29,700 *										105
110	51.2	202.6	24,300 *	53.9	206.6	25,900 *	55.5	208.5	26,900 *	58.0	210.8	28,400 *										110
115	48.8	198.4	23,100 *	51.7	202.8	24,700 *	53.3	204.9	25,600 *	55.9	207.6	27,100 *										115
120	46.4	193.8	22,000 *	49.3	198.7	23,500 *	51.0	201.0	24,400 *	53.7	204.1	25,900 *	56.2	206.1	27,100 *							120
125	43.9	188.9	21,000 *	46.9	194.2	22,400 *	48.7	196.8	23,300 *	51.5	200.2	24,700 *	54.0	202.6	25,900 *							125
130	41.2	183.4	20,000 *	44.4	189.3	21,400 *	46.3	192.2	22,200 *	49.1	196.1	23,500 *	51.8	198.8	24,700 *							130
135	38.4	177.4	19,000 *	41.8	184.0	20,300 *	43.7	187.2	21,100 *	46.7	191.6	22,400 *	49.5	194.7	23,600 *	52.1	196.7	24,600 *				135
140	35.5	170.8	18,200 *	39.1	178.1	19,400 *	41.1	181.7	20,100 *	44.2	186.6	21,400 *	47.1	190.3	22,600 *	49.8	192.7	23,600 *				140
145	32.3	163.3	17,300 *	36.1	171.6	18,500 *	38.3	175.7	19,200 *	41.6	181.3	20,400 *	44.6	185.4	21,500 *	47.4	188.3	22,600 *				145
150	28.7	154.8	16,500 *	33.0	164.3	17,600 *	35.3	169.0	18,300 *	38.8	175.3	19,400 *	42.0	180.1	20,500 *	44.9	183.5	21,600 *	47.5	185.6	22,400 *	150
155	24.7	144.9	15,800 *	29.5	156.1	16,800 *	32.0	161.5	17,500 *	35.8	168.8	18,500 *	39.2	174.3	19,600 *	42.3	178.2	20,600 *	45.0	180.8	21,400 *	155
160	20.0	132.8	15,100 *	25.6	146.5	16,100 *	28.5	152.9	16,700 *	32.7	161.4	17,700 *	36.3	167.8	18,700 *	39.5	172.4	19,700 *	42.5	175.6	20,500 *	160
170				15.4	119.8	14,800 *	19.7	130.6	15,300 *	25.3	143.4	16,100 *	29.7	152.4	17,000 *	33.5	158.9	18,000 *	36.8	163.5	18,800 *	170
180										14.8	115.9	14,900 *	21.4	131.5	15,600 *	26.3	141.6	16,400 *	30.4	148.4	17,200 *	180
190													6.6	91.4	14,300 *	16.5	116.1	15,100 *	22.3	128.2	15,800 *	190
200																			9.0	92.5	14,500 *	200



Liftcrane Luffing Jib Capacities

888 SERIES 2

Luffing Jib No. 135 On Boom No. 22EL
 179,100 Lb. Crane Counterweight
 44,000 Lb. Carbody Counterweight
 28 Ft. 2 in. Crawlers Extended
 360 Degree Rating

Designed And Tested
 With The Intent To Be In
 The Scope of ANSI B30.5

70 Ft. Boom, 170 Ft. Jib

Jib Oper. Rad. Feet	88 Degree Boom Angle			83 Degree Boom Angle			80 Degree Boom Angle			75 Degree Boom Angle			70 Degree Boom Angle			65 Degree Boom Angle			60 Degree Boom Angle			Jib Oper. Rad. Feet
	Jib Ang. Deg.	Jib Point Elev. Feet	Luffing Jib Capacity Pounds	Jib Ang. Deg.	Jib Point Elev. Feet	Luffing Jib Capacity Pounds	Jib Ang. Deg.	Jib Point Elev. Feet	Luffing Jib Capacity Pounds	Jib Ang. Deg.	Jib Point Elev. Feet	Luffing Jib Capacity Pounds	Jib Ang. Deg.	Jib Point Elev. Feet	Luffing Jib Capacity Pounds	Jib Ang. Deg.	Jib Point Elev. Feet	Luffing Jib Capacity Pounds	Jib Ang. Deg.	Jib Point Elev. Feet	Luffing Jib Capacity Pounds	
55	74.5	241.8	37,900 *																			55
60	72.8	240.3	36,200 *																			60
65	71.0	238.7	34,500 *																			65
70	69.2	236.9	32,900 *																			70
75	67.4	234.9	31,400 *	69.6	236.6	33,300 *																75
80	65.6	232.7	29,800 *	67.8	234.7	31,800 *																80
85	63.7	230.4	28,400 *	66.0	232.5	30,300 *	67.3	233.4	31,300 *													85
90	61.8	227.8	27,000 *	64.1	230.2	28,800 *	65.5	231.2	29,800 *													90
95	59.9	225.0	25,700 *	62.2	227.7	27,500 *	63.6	228.9	28,400 *													95
100	57.9	222.0	24,400 *	60.3	224.9	26,100 *	61.7	226.3	27,100 *													100
105	55.9	218.7	23,200 *	58.3	222.0	24,800 *	59.8	223.5	25,800 *	62.0	225.3	27,100 *										105
110	53.8	215.2	22,000 *	56.3	218.8	23,600 *	57.8	220.4	24,500 *	60.1	222.5	25,900 *										110
115	51.7	211.4	20,900 *	54.3	215.3	22,400 *	55.8	217.2	23,300 *	58.1	219.5	24,700 *										115
120	49.5	207.3	19,900 *	52.2	211.6	21,300 *	53.7	213.6	22,200 *	56.1	216.3	23,500 *										120
125	47.3	202.9	18,900 *	50.0	207.5	20,200 *	51.6	209.8	21,100 *	54.1	212.8	22,400 *	56.5	214.8	23,500 *							125
130	45.0	198.1	17,900 *	47.8	203.2	19,200 *	49.4	205.7	20,000 *	52.0	209.0	21,300 *	54.4	211.3	22,400 *							130
135	42.5	192.8	17,000 *	45.5	198.4	18,200 *	47.1	201.2	19,000 *	49.8	205.0	20,200 *	52.3	207.6	21,300 *							135
140	40.0	187.1	16,100 *	43.0	193.3	17,300 *	44.8	196.4	18,000 *	47.6	200.6	19,200 *	50.1	203.6	20,300 *	52.5	205.5	21,300 *				140
145	37.3	180.9	15,300 *	40.5	187.7	16,400 *	42.4	191.1	17,100 *	45.2	195.8	18,200 *	47.9	199.2	19,300 *	50.4	201.5	20,300 *				145
150	34.4	173.9	14,500 *	37.8	181.6	15,600 *	39.8	185.4	16,200 *	42.8	190.6	17,300 *	45.6	194.5	18,400 *	48.2	197.2	19,300 *				150
155	31.3	166.2	13,800 *	35.0	174.8	14,800 *	37.1	179.1	15,400 *	40.3	185.0	16,400 *	43.2	189.4	17,500 *	45.9	192.6	18,400 *				155
160	27.9	157.4	13,100 *	32.0	167.3	14,000 *	34.2	172.1	14,600 *	37.6	178.8	15,600 *	40.7	183.9	16,600 *	43.5	187.5	17,500 *	46.0	189.9	18,300 *	160
170	19.4	134.5	11,500 *	24.9	148.8	12,500 *	27.6	155.4	13,200 *	31.7	164.3	14,100 *	35.2	171.0	15,000 *	38.3	176.0	15,800 *	41.1	179.4	16,600 *	170
180				15.0	121.2	10,900 *	19.1	132.3	11,500 *	24.5	145.6	12,500 *	28.8	155.0	13,500 *	32.5	161.9	14,300 *	35.7	166.8	15,100 *	180
190										14.3	117.2	10,800 *	20.8	133.4	11,800 *	25.5	143.9	12,700 *	29.4	151.1	13,600 *	190
200													6.4	92.0	10,300 *	16.0	117.5	11,100 *	21.6	130.2	12,000 *	200
210																			8.7	93.2	10,400 *	210



Liftcrane Luffing Jib Capacities

888 SERIES 2

Luffing Jib No. 135 On Boom No. 22EL
 179,100 Lb. Crane Counterweight
 44,000 Lb. Carbody Counterweight
 28 Ft. 2 in. Crawlers Extended
 360 Degree Rating

Designed And Tested
 With The Intent To Be In
 The Scope of ANSI B30.5

80 Ft. Boom, 70 Ft. Jib

Jib Oper. Rad. Feet	88 Degree Boom Angle			83 Degree Boom Angle			80 Degree Boom Angle			75 Degree Boom Angle			70 Degree Boom Angle			65 Degree Boom Angle			60 Degree Boom Angle			Jib Oper. Rad. Feet
	Jib Ang. Deg.	Jib Point Elev. Feet	Luffing Jib Capacity Pounds	Jib Ang. Deg.	Jib Point Elev. Feet	Luffing Jib Capacity Pounds	Jib Ang. Deg.	Jib Point Elev. Feet	Luffing Jib Capacity Pounds	Jib Ang. Deg.	Jib Point Elev. Feet	Luffing Jib Capacity Pounds	Jib Ang. Deg.	Jib Point Elev. Feet	Luffing Jib Capacity Pounds	Jib Ang. Deg.	Jib Point Elev. Feet	Luffing Jib Capacity Pounds	Jib Ang. Deg.	Jib Point Elev. Feet	Luffing Jib Capacity Pounds	
40	64.7	151.2	101,800 *b																			40
45	60.0	148.6	96,800 *b																			45
50	55.2	145.4	93,900 *b	61.9	148.9	101,400 *b																50
55	50.0	141.6	90,000 *	57.1	146.0	96,800 *b	61.0	147.7	101,000 *b													55
60	44.5	137.0	86,000 *	52.1	142.4	92,800 *	56.2	144.7	95,800 b	62.7	147.0	92,500 b										60
65	38.3	131.3	77,000 *	46.7	138.1	88,400	51.2	141.0	86,600	58.0	144.1	83,700 b										65
70	31.1	124.1	69,500 *	40.8	132.9	80,500 *	45.7	136.6	79,000	53.0	140.7	76,300 b										70
75	21.9	114.0	60,300 *	34.0	126.4	72,500 *	39.7	131.1	72,500	47.7	136.5	70,000	54.6	139.6	67,600 b							75
80	2.0	90.3	41,500 *	25.8	117.7	65,600 *	32.7	124.3	66,900	41.9	131.5	64,700	49.4	135.6	62,400							80
85				13.7	103.7	54,600 *	24.1	115.1	62,100	35.3	125.2	60,000	43.8	130.9	57,900	50.9	133.9	55,900				85
90							10.2	98.9	53,300 *	27.4	117.0	55,900	37.5	125.1	54,000	45.4	129.5	52,100				90
95										16.5	104.6	52,200	30.2	117.6	50,500	39.3	124.0	48,700	46.7	127.1	46,900	95
100													20.6	107.1	47,300	32.3	117.1	45,700	40.7	121.9	44,000	100
105																23.6	107.6	42,900	34.0	115.3	41,400	105
110																8.9	90.5	40,400	25.7	106.6	39,100	110
115																			13.6	92.6	36,800	115



Liftcrane Luffing Jib Capacities

888 SERIES 2

Luffing Jib No. 135 On Boom No. 22EL
 179,100 Lb. Crane Counterweight
 44,000 Lb. Carbody Counterweight
 28 Ft. 2 in. Crawlers Extended
 360 Degree Rating

Designed And Tested
 With The Intent To Be In
 The Scope of ANSI B30.5

80 Ft. Boom, 80 Ft. Jib

Jib Oper. Rad. Feet	88 Degree Boom Angle			83 Degree Boom Angle			80 Degree Boom Angle			75 Degree Boom Angle			70 Degree Boom Angle			65 Degree Boom Angle			60 Degree Boom Angle			Jib Oper. Rad. Feet
	Jib Ang. Deg.	Jib Point Elev. Feet	Luffing Jib Capacity Pounds	Jib Ang. Deg.	Jib Point Elev. Feet	Luffing Jib Capacity Pounds	Jib Ang. Deg.	Jib Point Elev. Feet	Luffing Jib Capacity Pounds	Jib Ang. Deg.	Jib Point Elev. Feet	Luffing Jib Capacity Pounds	Jib Ang. Deg.	Jib Point Elev. Feet	Luffing Jib Capacity Pounds	Jib Ang. Deg.	Jib Point Elev. Feet	Luffing Jib Capacity Pounds	Jib Ang. Deg.	Jib Point Elev. Feet	Luffing Jib Capacity Pounds	
40	68.0	162.1	95,100 *b																			40
45	64.1	159.9	90,200 *b																			45
50	60.0	157.2	87,400 *b	65.6	160.1	94,600 *b																50
55	55.8	154.1	83,400 *	61.6	157.6	90,200 *b	64.9	158.9	94,100 *b													55
60	51.4	150.4	79,800 *	57.5	154.6	86,000 *	60.9	156.4	89,800 *b													60
65	46.6	146.1	76,500 *	53.1	151.2	82,200 *	56.7	153.3	85,600 *	62.4	155.6	83,300 b										65
70	41.5	140.9	69,800 *	48.5	147.1	78,800 *	52.3	149.8	78,700	58.2	152.8	76,000										70
75	35.7	134.6	63,500 *	43.5	142.3	72,700 *	47.7	145.6	72,300	53.9	149.4	69,700										75
80	29.0	126.7	58,100 *	38.0	136.5	66,000 *	42.6	140.6	66,700	49.3	145.5	64,400	55.3	148.3	62,100							80
85	20.4	115.9	51,100 *	31.8	129.3	60,300 *	37.0	134.6	61,900	44.4	140.8	59,800	50.8	144.5	57,600							85
90	1.8	90.5	35,900 *	24.1	119.9	55,300 *	30.6	127.1	57,700	39.1	135.2	55,700	46.0	140.1	53,700	52.1	142.7	51,700				90
95				12.8	104.9	46,800 *	22.5	117.1	53,900	33.0	128.3	52,100	40.8	134.8	50,200	47.4	138.5	48,400				95
100							9.5	99.7	45,900 *	25.6	119.4	48,800	35.0	128.4	47,100	42.3	133.5	45,400				100
105										15.4	106.0	45,900	28.2	120.2	44,300	36.7	127.4	42,700	43.5	131.3	41,100	105
110													19.3	108.9	41,700	30.2	119.8	40,300	38.0	125.5	38,800	110
115																22.0	109.6	38,000	31.7	118.3	36,600	115
120																8.4	91.2	35,900	24.1	108.8	34,700	120
125																			12.7	93.8	32,800	125



Liftcrane Luffing Jib Capacities

888 SERIES 2

Luffing Jib No. 135 On Boom No. 22EL
 179,100 Lb. Crane Counterweight
 44,000 Lb. Carbody Counterweight
 28 Ft. 2 in. Crawlers Extended
 360 Degree Rating

Designed And Tested
 With The Intent To Be In
 The Scope of ANSI B30.5

80 Ft. Boom, 90 Ft. Jib

Jib Oper. Rad. Feet	88 Degree Boom Angle			83 Degree Boom Angle			80 Degree Boom Angle			75 Degree Boom Angle			70 Degree Boom Angle			65 Degree Boom Angle			60 Degree Boom Angle			Jib Oper. Rad. Feet
	Jib Ang. Deg.	Jib Point Elev. Feet	Luffing Jib Capacity Pounds	Jib Ang. Deg.	Jib Point Elev. Feet	Luffing Jib Capacity Pounds	Jib Ang. Deg.	Jib Point Elev. Feet	Luffing Jib Capacity Pounds	Jib Ang. Deg.	Jib Point Elev. Feet	Luffing Jib Capacity Pounds	Jib Ang. Deg.	Jib Point Elev. Feet	Luffing Jib Capacity Pounds	Jib Ang. Deg.	Jib Point Elev. Feet	Luffing Jib Capacity Pounds	Jib Ang. Deg.	Jib Point Elev. Feet	Luffing Jib Capacity Pounds	
40	70.6	172.8	83,300 *b																			40
45	67.1	170.9	79,200 *b																			45
50	63.6	168.6	76,800 *b	68.5	170.9	83,000 *b																50
55	60.0	165.9	73,400 *	65.0	168.8	79,200 *b	67.9	169.8	82,300 *b													55
60	56.3	162.8	70,300 *	61.4	166.3	75,700 *	64.4	167.6	78,800 *b													60
65	52.4	159.2	67,400 *	57.8	163.3	72,600 *	60.8	165.0	75,500 *													65
70	48.2	155.1	64,800 *	53.9	159.9	69,600 *	57.1	162.0	72,400 *	62.1	164.3	75,800										70
75	43.8	150.2	62,400 *	49.9	156.0	66,800 *	53.2	158.5	69,500 *	58.4	161.4	69,500										75
80	39.0	144.6	58,800 *	45.6	151.5	64,300 *	49.1	154.5	66,600	54.6	158.1	64,200										80
85	33.6	137.8	54,100 *	40.9	146.1	61,000 *	44.8	149.8	61,800	50.6	154.3	59,600	55.8	157.0	57,400							85
90	27.3	129.3	49,900 *	35.8	139.8	56,000 *	40.1	144.4	57,600	46.4	149.9	55,500	51.9	153.3	53,500							90
95	19.3	117.6	44,200 *	29.9	132.1	51,600 *	34.8	137.8	53,900	41.8	144.7	51,900	47.7	149.1	50,000	53.0	151.5	48,100				95
100	1.7	90.6	31,600 *	22.7	122.0	47,700 *	28.8	129.8	50,500	36.7	138.6	48,700	43.3	144.2	46,900	48.9	147.5	45,200				100
105				12.0	106.0	40,900 *	21.2	119.1	47,200 *	31.0	131.2	45,800	38.4	138.4	44,200	44.5	142.7	42,500				105
110							9.0	100.5	40,300 *	24.2	121.6	43,200	32.9	131.4	41,700	39.8	137.2	40,100	45.5	140.4	38,600	110
115										14.5	107.3	40,800	26.5	122.7	39,400	34.5	130.6	37,900	40.9	135.1	36,500	115
120													18.1	110.5	37,300	28.4	122.5	35,900	35.7	128.8	34,500	120
125																20.8	111.5	34,100	29.9	121.0	32,800	125
130																7.9	92.0	32,300	22.7	110.9	31,100	130
135																			11.9	94.9	29,600	135



Liftcrane Luffing Jib Capacities

888 SERIES 2

Luffing Jib No. 135 On Boom No. 22EL
 179,100 Lb. Crane Counterweight
 44,000 Lb. Carbody Counterweight
 28 Ft. 2 in. Crawlers Extended
 360 Degree Rating

Designed And Tested
 With The Intent To Be In
 The Scope of ANSI B30.5

80 Ft. Boom, 100 Ft. Jib

Jib Oper. Rad. Feet	88 Degree Boom Angle			83 Degree Boom Angle			80 Degree Boom Angle			75 Degree Boom Angle			70 Degree Boom Angle			65 Degree Boom Angle			60 Degree Boom Angle			Jib Oper. Rad. Feet
	Jib Ang. Deg.	Jib Point Elev. Feet	Luffing Jib Capacity Pounds	Jib Ang. Deg.	Jib Point Elev. Feet	Luffing Jib Capacity Pounds	Jib Ang. Deg.	Jib Point Elev. Feet	Luffing Jib Capacity Pounds	Jib Ang. Deg.	Jib Point Elev. Feet	Luffing Jib Capacity Pounds	Jib Ang. Deg.	Jib Point Elev. Feet	Luffing Jib Capacity Pounds	Jib Ang. Deg.	Jib Point Elev. Feet	Luffing Jib Capacity Pounds	Jib Ang. Deg.	Jib Point Elev. Feet	Luffing Jib Capacity Pounds	
40	72.6	183.3	77,900 *b																			40
45	69.5	181.6	75,300 *b																			45
50	66.4	179.6	71,700 *	70.7	181.6	77,400 *b																50
55	63.3	177.3	68,400 *	67.7	179.7	73,800 *b																55
60	60.0	174.6	65,300 *	64.5	177.5	70,400 *	67.1	178.6	73,200 *													60
65	56.7	171.5	62,400 *	61.3	174.9	67,300 *	64.0	176.3	70,000 *													65
70	53.2	168.0	59,700 *	58.0	172.0	64,300 *	60.7	173.7	67,000 *													70
75	49.5	164.0	57,300 *	54.5	168.6	61,600 *	57.4	170.7	64,200 *	61.9	173.0	67,800 *										75
80	45.6	159.4	55,100 *	50.9	164.8	59,100 *	53.9	167.3	61,500 *	58.6	170.1	63,900										80
85	41.4	154.1	53,000 *	47.1	160.5	56,800 *	50.3	163.4	59,100 *	55.2	166.8	59,300										85
90	36.9	148.0	50,000 *	43.1	155.5	54,600 *	46.5	158.9	56,700 *	51.6	163.1	55,200	56.3	165.6	53,100							90
95	31.8	140.7	46,400 *	38.7	149.8	51,700 *	42.4	153.8	53,600	47.8	158.9	51,600	52.8	162.1	49,700							95
100	25.9	131.6	43,100 *	33.9	142.9	47,900 *	37.9	147.9	50,300	43.8	154.0	48,400	49.1	158.0	46,600							100
105	18.3	119.3	38,400 *	28.3	134.7	44,500 *	33.0	140.9	47,300 *	39.5	148.4	45,600	45.2	153.4	43,800	50.1	156.3	42,100				105
110	1.6	90.8	27,800 *	21.5	123.9	41,400 *	27.3	132.3	44,000 *	34.8	141.8	43,000	41.0	148.0	41,400	46.2	151.9	39,800				110
115				11.4	107.0	35,800 *	20.1	120.9	40,900 *	29.4	133.9	40,700	36.4	141.8	39,100	42.1	146.7	37,600	47.1	149.5	36,100	115
120							8.5	101.3	35,400 *	22.9	123.7	38,500	31.2	134.3	37,000	37.7	140.7	35,600	43.1	144.5	34,200	120
125										13.8	108.6	36,500	25.1	125.0	35,200	32.7	133.6	33,800	38.7	138.7	32,400	125
130													17.2	112.1	33,400	26.9	124.9	32,100	33.8	131.9	30,800	130
135																19.7	113.3	30,600	28.3	123.6	29,400	135
140																7.5	92.6	29,000	21.5	112.9	28,000	140
145																			11.3	95.9	26,600	145



Liftcrane Luffing Jib Capacities

888 SERIES 2

Luffing Jib No. 135 On Boom No. 22EL
 179,100 Lb. Crane Counterweight
 44,000 Lb. Carbody Counterweight
 28 Ft. 2 in. Crawlers Extended
 360 Degree Rating

Designed And Tested
 With The Intent To Be In
 The Scope of ANSI B30.5

80 Ft. Boom, 110 Ft. Jib

Jib Oper. Rad. Feet	88 Degree Boom Angle			83 Degree Boom Angle			80 Degree Boom Angle			75 Degree Boom Angle			70 Degree Boom Angle			65 Degree Boom Angle			60 Degree Boom Angle			Jib Oper. Rad. Feet
	Jib Ang. Deg.	Jib Point Elev. Feet	Luffing Jib Capacity Pounds	Jib Ang. Deg.	Jib Point Elev. Feet	Luffing Jib Capacity Pounds	Jib Ang. Deg.	Jib Point Elev. Feet	Luffing Jib Capacity Pounds	Jib Ang. Deg.	Jib Point Elev. Feet	Luffing Jib Capacity Pounds	Jib Ang. Deg.	Jib Point Elev. Feet	Luffing Jib Capacity Pounds	Jib Ang. Deg.	Jib Point Elev. Feet	Luffing Jib Capacity Pounds	Jib Ang. Deg.	Jib Point Elev. Feet	Luffing Jib Capacity Pounds	
40	74.2	193.8	73,400 *b																			40
45	71.5	192.2	71,500 *b																			45
50	68.7	190.4	68,600 *																			50
55	65.9	188.3	65,700 *	69.8	190.4	70,300 *																55
60	63.0	185.9	62,900 *	67.0	188.4	67,500 *																60
65	60.0	183.2	60,200 *	64.1	186.2	64,600 *	66.5	187.3	67,000 *													65
70	57.0	180.2	57,700 *	61.2	183.6	61,900 *	63.6	185.0	64,200 *													70
75	53.8	176.7	55,400 *	58.2	180.7	59,300 *	60.7	182.4	61,600 *													75
80	50.5	172.8	53,200 *	55.0	177.4	57,000 *	57.6	179.4	59,100 *	61.7	181.6	62,200 *										80
85	47.0	168.4	51,200 *	51.8	173.6	54,700 *	54.5	176.0	56,800 *	58.7	178.8	59,200 *										85
90	43.4	163.5	49,400 *	48.4	169.5	52,700 *	51.2	172.2	54,600 *	55.6	175.5	55,200 *										90
95	39.4	157.8	46,500 *	44.8	164.7	50,700 *	47.8	167.9	52,600 *	52.4	171.9	51,600 *	56.6	174.3	49,600 *							95
100	35.1	151.2	43,300 *	41.0	159.4	48,000 *	44.2	163.1	50,300 *	49.0	167.8	48,400 *	53.4	170.8	46,600 *							100
105	30.3	143.5	40,400 *	36.9	153.2	44,600 *	40.3	157.6	47,300 *	45.5	163.2	45,600 *	50.1	166.9	43,800 *							105
110	24.7	133.9	37,800 *	32.3	145.9	41,600 *	36.1	151.3	44,200 *	41.7	157.9	43,000 *	46.6	162.5	41,300 *	51.0	165.2	39,700 *				110
115	17.4	120.9	31,900 *	27.0	137.1	38,900 *	31.4	143.8	41,200 *	37.6	151.9	40,700 *	42.9	157.4	39,100 *	47.6	160.9	37,600 *				115
120	1.6	90.9	23,100 *	20.5	125.8	36,400 *	26.0	134.6	38,500 *	33.1	144.9	38,600 *	39.0	151.7	37,100 *	44.0	156.0	35,600 *				120
125				10.9	108.0	29,900 *	19.2	122.6	36,100 *	28.0	136.4	36,600 *	34.6	145.0	35,200 *	40.1	150.5	33,800 *	44.8	153.7	32,400 *	125
130							8.1	102.0	29,600 *	21.8	125.6	34,800 *	29.7	137.0	33,500 *	35.9	144.1	32,100 *	41.0	148.4	30,800 *	130
135										13.1	109.8	33,100 *	24.0	127.1	31,900 *	31.1	136.5	30,600 *	36.8	142.2	29,400 *	135
140													16.4	113.5	30,400 *	25.7	127.3	29,200 *	32.2	134.9	28,000 *	140
145																18.8	115.0	27,800 *	27.0	126.1	26,700 *	145
150																7.1	93.3	26,600 *	20.5	114.7	25,500 *	150
155																			10.8	96.8	24,400 *	155



Liftcrane Luffing Jib Capacities

888 SERIES 2

Luffing Jib No. 135 On Boom No. 22EL
 179,100 Lb. Crane Counterweight
 44,000 Lb. Carbody Counterweight
 28 Ft. 2 in. Crawlers Extended
 360 Degree Rating

Designed And Tested
 With The Intent To Be In
 The Scope of ANSI B30.5

80 Ft. Boom, 120 Ft. Jib

Jib Oper. Rad. Feet	88 Degree Boom Angle			83 Degree Boom Angle			80 Degree Boom Angle			75 Degree Boom Angle			70 Degree Boom Angle			65 Degree Boom Angle			60 Degree Boom Angle			Jib Oper. Rad. Feet
	Jib Ang. Deg.	Jib Point Elev. Feet	Luffing Jib Capacity Pounds	Jib Ang. Deg.	Jib Point Elev. Feet	Luffing Jib Capacity Pounds	Jib Ang. Deg.	Jib Point Elev. Feet	Luffing Jib Capacity Pounds	Jib Ang. Deg.	Jib Point Elev. Feet	Luffing Jib Capacity Pounds	Jib Ang. Deg.	Jib Point Elev. Feet	Luffing Jib Capacity Pounds	Jib Ang. Deg.	Jib Point Elev. Feet	Luffing Jib Capacity Pounds	Jib Ang. Deg.	Jib Point Elev. Feet	Luffing Jib Capacity Pounds	
40	75.5	204.1	68,000 *b																			40
45	73.1	202.7	66,300 *b																			45
50	70.5	201.1	63,400 *																			50
55	68.0	199.2	60,700 *																			55
60	65.4	197.0	58,200 *	69.0	199.2	62,200 *																60
65	62.7	194.6	55,800 *	66.4	197.2	59,800 *																65
70	60.0	191.9	53,500 *	63.8	194.9	57,300 *	66.0	196.1	59,300 *													70
75	57.2	188.8	51,300 *	61.1	192.2	55,000 *	63.3	193.7	57,000 *													75
80	54.3	185.4	49,100 *	58.3	189.3	52,800 *	60.6	191.0	54,700 *													80
85	51.3	181.6	47,100 *	55.5	186.1	50,500 *	57.8	188.0	52,500 *	61.6	190.3	55,200 *										85
90	48.2	177.4	45,200 *	52.5	182.4	48,400 *	55.0	184.7	50,300 *	58.8	187.4	53,100 *										90
95	44.9	172.7	43,500 *	49.4	178.4	46,500 *	52.0	181.0	48,300 *	56.0	184.2	51,000 *										95
100	41.4	167.4	41,800 *	46.2	173.8	44,700 *	48.9	176.9	46,400 *	53.1	180.7	48,100	56.9	183.0	46,200							100
105	37.7	161.3	40,300 *	42.8	168.8	42,900 *	45.6	172.3	44,600 *	50.0	176.7	45,300	54.0	179.6	43,500							105
110	33.6	154.3	37,800 *	39.2	163.0	41,300 *	42.2	167.1	42,900 *	46.8	172.3	42,700	51.0	175.7	41,000							110
115	29.0	146.1	35,500 *	35.2	156.4	38,900 *	38.5	161.2	41,100 *	43.4	167.3	40,400	47.9	171.4	38,800	51.8	174.0	37,200				115
120	23.6	136.0	33,100 *	30.9	148.7	36,400 *	34.5	154.4	38,500 *	39.9	161.7	38,300	44.5	166.7	36,700	48.7	169.8	35,200				120
125	16.7	122.4	28,100 *	25.8	139.5	34,200 *	30.0	146.5	36,100 *	36.0	155.2	36,300	41.0	161.2	34,900	45.5	165.2	33,500				125
130	1.5	91.1	20,500 *	19.6	127.5	32,100 *	24.8	136.9	33,900 *	31.7	147.8	34,600	37.2	155.1	33,200	42.0	159.9	31,800	46.2	162.8	30,500	130
135				10.4	108.9	26,500 *	18.4	124.3	31,800 *	26.8	138.8	32,900	33.1	148.0	31,600	38.3	154.0	30,300	42.8	157.8	29,000	135
140							7.8	102.7	26,300 *	20.9	127.5	31,400	28.4	139.6	30,100	34.3	147.2	28,900	39.2	152.0	27,700	140
145										12.6	110.9	29,900	22.9	129.2	28,800	29.8	139.2	27,600	35.2	145.4	26,400	145
150													15.7	114.9	27,500	24.6	129.5	26,300	30.8	137.7	25,200	150
155																18.0	116.6	25,200	25.8	128.4	24,100	155
160																6.8	93.9	24,100	19.6	116.5	23,100	160



Liftcrane Luffing Jib Capacities

888 SERIES 2

Luffing Jib No. 135 On Boom No. 22EL
 179,100 Lb. Crane Counterweight
 44,000 Lb. Carbody Counterweight
 28 Ft. 2 in. Crawlers Extended
 360 Degree Rating

Designed And Tested
 With The Intent To Be In
 The Scope of ANSI B30.5

80 Ft. Boom, 130 Ft. Jib

Jib Oper. Rad. Feet	88 Degree Boom Angle			83 Degree Boom Angle			80 Degree Boom Angle			75 Degree Boom Angle			70 Degree Boom Angle			65 Degree Boom Angle			60 Degree Boom Angle			Jib Oper. Rad. Feet
	Jib Ang. Deg.	Jib Point Elev. Feet	Luffing Jib Capacity Pounds	Jib Ang. Deg.	Jib Point Elev. Feet	Luffing Jib Capacity Pounds	Jib Ang. Deg.	Jib Point Elev. Feet	Luffing Jib Capacity Pounds	Jib Ang. Deg.	Jib Point Elev. Feet	Luffing Jib Capacity Pounds	Jib Ang. Deg.	Jib Point Elev. Feet	Luffing Jib Capacity Pounds	Jib Ang. Deg.	Jib Point Elev. Feet	Luffing Jib Capacity Pounds	Jib Ang. Deg.	Jib Point Elev. Feet	Luffing Jib Capacity Pounds	
45	74.4	213.2	56,400 *b																			45
50	72.1	211.6	54,100 *																			50
55	69.8	209.9	51,800 *																			55
60	67.4	208.0	49,700 *	70.7	209.9	52,900 *																60
65	65.0	205.8	47,600 *	68.3	208.0	50,800 *																65
70	62.5	203.3	45,600 *	65.9	205.9	48,700 *	67.9	206.9	50,300 *													70
75	60.0	200.5	43,800 *	63.5	203.5	46,800 *	65.5	204.8	48,300 *													75
80	57.4	197.5	42,000 *	61.0	200.9	44,900 *	63.1	202.4	46,400 *													80
85	54.8	194.2	40,300 *	58.5	198.0	43,100 *	60.6	199.7	44,600 *													85
90	52.0	190.4	38,800 *	55.8	194.8	41,400 *	58.0	196.7	42,900 *	61.5	199.0	45,000 *										90
95	49.2	186.3	37,200 *	53.1	191.2	39,800 *	55.4	193.4	41,200 *	58.9	196.1	43,300 *										95
100	46.2	181.8	35,800 *	50.3	187.2	38,200 *	52.6	189.8	39,600 *	56.3	192.9	41,700 *										100
105	43.1	176.7	34,500 *	47.4	182.9	36,700 *	49.8	185.8	38,100 *	53.6	189.4	40,100 *	57.1	191.7	41,800 *							105
110	39.7	171.1	33,200 *	44.3	178.0	35,300 *	46.9	181.3	36,600 *	50.8	185.5	38,700 *	54.5	188.3	40,400 *							110
115	36.2	164.6	32,100 *	41.1	172.6	34,100 *	43.8	176.4	35,300 *	47.9	181.2	37,200 *	51.7	184.5	38,500 *							115
120	32.2	157.3	31,000 *	37.6	166.5	32,800 *	40.5	170.8	34,000 *	44.9	176.5	35,900 *	48.9	180.4	36,500 *	52.5	182.7	35,000				120
125	27.8	148.6	30,000 *	33.8	159.5	31,700 *	36.9	164.6	32,800 *	41.7	171.2	34,600 *	45.9	175.8	34,700	49.7	178.7	33,200				125
130	22.7	138.0	29,100 *	29.6	151.4	30,700 *	33.1	157.5	31,600 *	38.2	165.2	33,300 *	42.7	170.7	33,000	46.7	174.2	31,600				130
135	16.0	123.8	25,100 *	24.8	141.7	29,700 *	28.8	149.1	30,600 *	34.5	158.4	32,200 *	39.4	164.9	31,400	43.6	169.3	30,100	47.4	171.9	28,800	135
140	1.4	91.2	18,300 *	18.9	129.2	28,800 *	23.9	139.0	29,700 *	30.4	150.6	31,100 *	35.7	158.4	29,900	40.3	163.7	28,700	44.3	167.0	27,400	140
145				10.0	109.8	23,700 *	17.6	125.8	28,500 *	25.7	141.2	29,800	31.8	150.9	28,600	36.8	157.4	27,400	41.0	161.6	26,200	145
150							7.5	103.4	23,600 *	20.1	129.3	28,500	27.3	142.1	27,300	32.9	150.2	26,200	37.6	155.5	25,000	150
155										12.1	112.0	27,300	22.0	131.2	26,100	28.6	141.8	25,000	33.8	148.5	23,900	155
160													15.1	116.3	25,000	23.6	131.6	24,000	29.6	140.4	22,900	160
170																6.6	94.5	22,000	18.8	118.2	21,000	170



Liftcrane Luffing Jib Capacities

888 SERIES 2

Luffing Jib No. 135 On Boom No. 22EL
 179,100 Lb. Crane Counterweight
 44,000 Lb. Carbody Counterweight
 28 Ft. 2 in. Crawlers Extended
 360 Degree Rating

Designed And Tested
 With The Intent To Be In
 The Scope of ANSI B30.5

80 Ft. Boom, 140 Ft. Jib

Jib Oper. Rad. Feet	88 Degree Boom Angle			83 Degree Boom Angle			80 Degree Boom Angle			75 Degree Boom Angle			70 Degree Boom Angle			65 Degree Boom Angle			60 Degree Boom Angle			Jib Oper. Rad. Feet
	Jib Ang. Deg.	Jib Point Elev. Feet	Luffing Jib Capacity Pounds	Jib Ang. Deg.	Jib Point Elev. Feet	Luffing Jib Capacity Pounds	Jib Ang. Deg.	Jib Point Elev. Feet	Luffing Jib Capacity Pounds	Jib Ang. Deg.	Jib Point Elev. Feet	Luffing Jib Capacity Pounds	Jib Ang. Deg.	Jib Point Elev. Feet	Luffing Jib Capacity Pounds	Jib Ang. Deg.	Jib Point Elev. Feet	Luffing Jib Capacity Pounds	Jib Ang. Deg.	Jib Point Elev. Feet	Luffing Jib Capacity Pounds	
45	75.5	223.5	52,200 *																			45
50	73.4	222.1	50,000 *																			50
55	71.3	220.5	47,900 *																			55
60	69.1	218.7	45,900 *																			60
65	66.9	216.7	43,900 *	69.9	218.7	46,800 *																65
70	64.6	214.5	42,100 *	67.7	216.8	44,900 *																70
75	62.4	212.0	40,300 *	65.5	214.6	43,100 *	67.4	215.7	44,400 *													75
80	60.0	209.2	38,600 *	63.2	212.2	41,300 *	65.1	213.5	42,700 *													80
85	57.6	206.2	36,900 *	60.9	209.6	39,500 *	62.8	211.0	40,900 *													85
90	55.2	202.9	35,400 *	58.6	206.6	37,900 *	60.5	208.3	39,300 *													90
95	52.6	199.2	33,900 *	56.1	203.4	36,300 *	58.1	205.4	37,700 *	61.4	207.6	39,600 *										95
100	50.0	195.2	32,500 *	53.6	199.9	34,800 *	55.7	202.1	36,100 *	59.0	204.8	38,100 *										100
105	47.3	190.8	31,200 *	51.0	196.1	33,400 *	53.2	198.5	34,600 *	56.6	201.6	36,600 *										105
110	44.4	186.0	29,900 *	48.4	191.8	32,000 *	50.6	194.6	33,200 *	54.1	198.1	35,100 *	57.4	200.4	36,700 *							110
115	41.4	180.6	28,700 *	45.6	187.2	30,700 *	47.9	190.3	31,900 *	51.5	194.4	33,800 *	54.9	197.0	35,300 *							115
120	38.2	174.6	27,600 *	42.6	182.0	29,500 *	45.1	185.6	30,600 *	48.9	190.2	32,400 *	52.3	193.3	34,000 *							120
125	34.8	167.8	26,500 *	39.5	176.3	28,300 *	42.1	180.3	29,400 *	46.1	185.6	31,100 *	49.7	189.3	32,700 *							125
130	31.0	160.1	25,500 *	36.2	169.8	27,200 *	38.9	174.5	28,200 *	43.2	180.5	29,900 *	47.0	184.8	31,500 *	50.4	187.6	31,200				130
135	26.8	151.1	24,600 *	32.5	162.5	26,200 *	35.6	167.9	27,100 *	40.1	174.9	28,700 *	44.1	179.9	30,300 *	47.7	183.2	29,700				135
140	21.8	140.0	23,800 *	28.5	154.0	25,200 *	31.9	160.4	26,100 *	36.8	168.6	27,600 *	41.1	174.5	29,100 *	44.9	178.5	28,300				140
145	15.4	125.2	22,200 *	23.9	143.9	24,400 *	27.8	151.7	25,200 *	33.2	161.5	26,600 *	37.9	168.4	28,000 *	41.9	173.2	27,000	45.5	176.2	25,800	145
150	1.4	91.3	16,200 *	18.2	130.9	23,600 *	23.0	141.1	24,300 *	29.3	153.2	25,600 *	34.4	161.6	27,000 *	38.8	167.3	25,800	42.6	171.0	24,700	150
155				9.7	110.7	21,100 *	17.0	127.4	23,600 *	24.8	143.4	24,800 *	30.6	153.7	25,900	35.4	160.7	24,700	39.5	165.2	23,600	155
160							7.2	104.0	21,100 *	19.3	131.1	24,000 *	26.3	144.5	24,800	31.7	153.1	23,700	36.1	158.8	22,600	160
170													14.5	117.6	22,700	22.7	133.7	21,700	28.5	143.0	20,700	170
180																6.3	95.0	20,000	18.1	119.8	19,100	180



Liftcrane Luffing Jib Capacities

888 SERIES 2

Luffing Jib No. 135 On Boom No. 22EL
 179,100 Lb. Crane Counterweight
 44,000 Lb. Carbody Counterweight
 28 Ft. 2 in. Crawlers Extended
 360 Degree Rating

Designed And Tested
 With The Intent To Be In
 The Scope of ANSI B30.5

80 Ft. Boom, 150 Ft. Jib

Jib Oper. Rad. Feet	88 Degree Boom Angle			83 Degree Boom Angle			80 Degree Boom Angle			75 Degree Boom Angle			70 Degree Boom Angle			65 Degree Boom Angle			60 Degree Boom Angle			Jib Oper. Rad. Feet
	Jib Ang. Deg.	Jib Point Elev. Feet	Luffing Jib Capacity Pounds	Jib Ang. Deg.	Jib Point Elev. Feet	Luffing Jib Capacity Pounds	Jib Ang. Deg.	Jib Point Elev. Feet	Luffing Jib Capacity Pounds	Jib Ang. Deg.	Jib Point Elev. Feet	Luffing Jib Capacity Pounds	Jib Ang. Deg.	Jib Point Elev. Feet	Luffing Jib Capacity Pounds	Jib Ang. Deg.	Jib Point Elev. Feet	Luffing Jib Capacity Pounds	Jib Ang. Deg.	Jib Point Elev. Feet	Luffing Jib Capacity Pounds	
50	74.6	232.5	46,400 *																			50
55	72.6	231.0	44,400 *																			55
60	70.5	229.4	42,500 *																			60
65	68.5	227.5	40,700 *																			65
70	66.4	225.4	38,900 *	69.3	227.5	41,500 *																70
75	64.3	223.1	37,200 *	67.2	225.5	39,800 *																75
80	62.2	220.6	35,600 *	65.2	223.3	38,100 *	66.9	224.4	39,400 *													80
85	60.0	217.9	34,000 *	63.0	220.9	36,500 *	64.8	222.2	37,800 *													85
90	57.8	214.9	32,500 *	60.9	218.2	34,900 *	62.7	219.7	36,200 *													90
95	55.5	211.6	31,100 *	58.7	215.3	33,400 *	60.5	217.0	34,700 *													95
100	53.1	208.0	29,800 *	56.4	212.1	31,900 *	58.3	214.0	33,200 *	61.3	216.3	35,000 *										100
105	50.7	204.1	28,500 *	54.1	208.7	30,500 *	56.0	210.8	31,800 *	59.1	213.4	33,600 *										105
110	48.2	199.8	27,200 *	51.7	204.9	29,200 *	53.7	207.3	30,400 *	56.8	210.3	32,200 *										110
115	45.6	195.1	26,100 *	49.2	200.7	28,000 *	51.2	203.4	29,100 *	54.5	206.9	30,800 *	57.5	209.0	32,300 *							115
120	42.9	190.0	24,900 *	46.6	196.2	26,700 *	48.8	199.2	27,800 *	52.1	203.1	29,500 *	55.2	205.7	31,000 *							120
125	40.0	184.3	23,900 *	43.9	191.3	25,600 *	46.2	194.7	26,600 *	49.6	199.1	28,300 *	52.9	202.1	29,800 *							125
130	36.9	178.0	22,900 *	41.1	185.8	24,500 *	43.5	189.6	25,500 *	47.1	194.6	27,100 *	50.4	198.1	28,600 *							130
135	33.6	170.9	21,900 *	38.1	179.8	23,500 *	40.6	184.1	24,400 *	44.4	189.8	26,000 *	47.9	193.8	27,400 *	51.1	196.4	28,600 *				135
140	30.0	162.8	21,100 *	34.9	173.0	22,500 *	37.6	177.9	23,400 *	41.6	184.4	24,900 *	45.3	189.1	26,300 *	48.6	192.2	27,500 *				140
145	25.9	153.4	20,200 *	31.4	165.4	21,600 *	34.3	171.0	22,400 *	38.7	178.5	23,800 *	42.5	183.9	25,200 *	46.0	187.6	26,400 *				145
150	21.1	141.9	19,500 *	27.5	156.5	20,700 *	30.8	163.2	21,500 *	35.5	171.9	22,900 *	39.6	178.2	24,200 *	43.3	182.5	25,400 *	46.6	185.2	24,600	150
155	14.9	126.5	18,900 *	23.1	145.9	19,900 *	26.8	154.1	20,700 *	32.1	164.4	21,900 *	36.5	171.8	23,200 *	40.4	176.9	24,400 *	43.9	180.3	23,500	155
160	1.3	91.4	14,500 *	17.6	132.4	19,200 *	22.2	143.1	19,900 *	28.3	155.8	21,100 *	33.2	164.6	22,300 *	37.4	170.7	23,400 *	41.1	174.8	22,500	160
170							7.0	104.7	18,800 *	18.7	132.7	19,500 *	25.4	146.8	20,600 *	30.6	155.9	21,600 *	34.9	162.0	20,700	170
180													14.0	118.8	19,200 *	21.9	135.6	20,000	27.5	145.5	19,100	180
190																6.1	95.6	18,400	17.5	121.4	17,600	190



Liftcrane Luffing Jib Capacities

888 SERIES 2

Luffing Jib No. 135 On Boom No. 22EL
 179,100 Lb. Crane Counterweight
 44,000 Lb. Carbody Counterweight
 28 Ft. 2 in. Crawlers Extended
 360 Degree Rating

Designed And Tested
 With The Intent To Be In
 The Scope of ANSI B30.5

80 Ft. Boom, 160 Ft. Jib

Jib Oper. Rad. Feet	88 Degree Boom Angle			83 Degree Boom Angle			80 Degree Boom Angle			75 Degree Boom Angle			70 Degree Boom Angle			65 Degree Boom Angle			60 Degree Boom Angle			Jib Oper. Rad. Feet
	Jib Ang. Deg.	Jib Point Elev. Feet	Luffing Jib Capacity Pounds	Jib Ang. Deg.	Jib Point Elev. Feet	Luffing Jib Capacity Pounds	Jib Ang. Deg.	Jib Point Elev. Feet	Luffing Jib Capacity Pounds	Jib Ang. Deg.	Jib Point Elev. Feet	Luffing Jib Capacity Pounds	Jib Ang. Deg.	Jib Point Elev. Feet	Luffing Jib Capacity Pounds	Jib Ang. Deg.	Jib Point Elev. Feet	Luffing Jib Capacity Pounds	Jib Ang. Deg.	Jib Point Elev. Feet	Luffing Jib Capacity Pounds	
50	75.5	242.9	42,700 *																			50
55	73.7	241.5	40,900 *																			55
60	71.8	239.9	39,100 *																			60
65	69.9	238.2	37,300 *																			65
70	68.0	236.3	35,700 *	70.6	238.2	38,100 *																70
75	66.0	234.2	34,000 *	68.7	236.3	36,400 *																75
80	64.1	231.8	32,500 *	66.8	234.3	34,800 *																80
85	62.1	229.3	31,000 *	64.8	232.0	33,300 *	66.5	233.2	34,400 *													85
90	60.0	226.5	29,500 *	62.8	229.6	31,700 *	64.5	230.9	32,900 *													90
95	57.9	223.5	28,100 *	60.8	226.9	30,300 *	62.5	228.4	31,500 *													95
100	55.8	220.3	26,800 *	58.7	224.0	28,900 *	60.5	225.7	30,000 *													100
105	53.6	216.7	25,600 *	56.6	220.8	27,500 *	58.4	222.7	28,700 *	61.2	224.9	30,300 *										105
110	51.3	212.9	24,300 *	54.5	217.4	26,200 *	56.2	219.5	27,400 *	59.1	222.1	29,000 *										110
115	49.0	208.7	23,200 *	52.2	213.7	25,000 *	54.1	216.0	26,100 *	57.0	219.0	27,800 *										115
120	46.6	204.2	22,100 *	49.9	209.6	23,800 *	51.8	212.2	24,900 *	54.8	215.6	26,500 *	57.7	217.7	27,900 *							120
125	44.1	199.2	21,100 *	47.5	205.2	22,700 *	49.5	208.1	23,700 *	52.6	211.9	25,300 *	55.5	214.4	26,700 *							125
130	41.4	193.8	20,100 *	45.1	200.5	21,600 *	47.1	203.7	22,600 *	50.3	207.9	24,100 *	53.3	210.8	25,500 *							130
135	38.6	187.9	19,100 *	42.5	195.2	20,600 *	44.6	198.8	21,500 *	48.0	203.6	23,000 *	51.1	207.0	24,400 *							135
140	35.7	181.3	18,200 *	39.7	189.5	19,600 *	42.0	193.5	20,500 *	45.5	198.9	22,000 *	48.7	202.7	23,300 *	51.7	205.2	24,500 *				140
145	32.5	173.9	17,400 *	36.9	183.2	18,700 *	39.3	187.7	19,600 *	42.9	193.8	20,900 *	46.3	198.2	22,300 *	49.4	201.1	23,400 *				145
150	29.0	165.5	16,600 *	33.8	176.1	17,900 *	36.3	181.3	18,600 *	40.2	188.1	20,000 *	43.8	193.2	21,300 *	47.0	196.6	22,400 *				150
155	25.0	155.7	15,900 *	30.4	168.1	17,000 *	33.2	174.1	17,800 *	37.4	181.9	19,000 *	41.1	187.7	20,300 *	44.5	191.7	21,400 *	47.5	194.2	22,400 *	155
160	20.4	143.7	15,200 *	26.6	158.9	16,300 *	29.8	165.9	17,000 *	34.3	175.0	18,200 *	38.3	181.7	19,400 *	41.9	186.4	20,500 *	45.0	189.4	21,500 *	160
170	1.3	91.5	12,900 *	17.0	134.0	14,900 *	21.5	145.0	15,500 *	27.3	158.3	16,600 *	32.1	167.5	17,600 *	36.2	174.1	18,700 *	39.7	178.5	19,700 *	170
180							6.7	105.3	14,300 *	18.1	134.4	15,200 *	24.6	149.0	16,100 *	29.6	158.6	17,100 *	33.7	165.1	18,000 *	180
190													13.6	120.1	14,900 *	21.2	137.5	15,600 *	26.6	147.9	16,500 *	190
200																5.9	96.1	14,400 *	16.9	122.9	15,200 *	200



Liftcrane Luffing Jib Capacities

888 SERIES 2

Luffing Jib No. 135 On Boom No. 22EL
 179,100 Lb. Crane Counterweight
 44,000 Lb. Carbody Counterweight
 28 Ft. 2 in. Crawlers Extended
 360 Degree Rating

Designed And Tested
 With The Intent To Be In
 The Scope of ANSI B30.5

80 Ft. Boom, 170 Ft. Jib

Jib Oper. Rad. Feet	88 Degree Boom Angle			83 Degree Boom Angle			80 Degree Boom Angle			75 Degree Boom Angle			70 Degree Boom Angle			65 Degree Boom Angle			60 Degree Boom Angle			Jib Oper. Rad. Feet
	Jib Ang. Deg.	Jib Point Elev. Feet	Luffing Jib Capacity Pounds	Jib Ang. Deg.	Jib Point Elev. Feet	Luffing Jib Capacity Pounds	Jib Ang. Deg.	Jib Point Elev. Feet	Luffing Jib Capacity Pounds	Jib Ang. Deg.	Jib Point Elev. Feet	Luffing Jib Capacity Pounds	Jib Ang. Deg.	Jib Point Elev. Feet	Luffing Jib Capacity Pounds	Jib Ang. Deg.	Jib Point Elev. Feet	Luffing Jib Capacity Pounds	Jib Ang. Deg.	Jib Point Elev. Feet	Luffing Jib Capacity Pounds	
55	74.7	251.9	37,800 *																			55
60	72.9	250.4	36,200 *																			60
65	71.1	248.8	34,500 *																			65
70	69.3	247.0	32,900 *																			70
75	67.5	245.0	31,400 *	70.0	247.0	33,600 *																75
80	65.7	242.9	29,900 *	68.2	245.1	32,100 *																80
85	63.8	240.5	28,500 *	66.4	243.0	30,600 *	67.9	244.0	31,700 *													85
90	61.9	238.0	27,100 *	64.6	240.7	29,200 *	66.1	241.9	30,300 *													90
95	60.0	235.2	25,800 *	62.7	238.2	27,800 *	64.2	239.6	28,900 *													95
100	58.1	232.2	24,500 *	60.8	235.6	26,400 *	62.3	237.0	27,500 *													100
105	56.0	228.9	23,300 *	58.8	232.6	25,200 *	60.4	234.3	26,200 *	63.0	236.3	27,700 *										105
110	54.0	225.4	22,100 *	56.8	229.5	23,900 *	58.5	231.4	25,000 *	61.1	233.6	26,500 *										110
115	51.9	221.7	21,000 *	54.8	226.1	22,700 *	56.5	228.2	23,700 *	59.2	230.7	25,300 *										115
120	49.7	217.6	20,000 *	52.7	222.4	21,600 *	54.4	224.7	22,600 *	57.2	227.6	24,100 *										120
125	47.5	213.2	18,900 *	50.6	218.5	20,500 *	52.3	221.0	21,500 *	55.2	224.3	22,900 *	57.8	226.4	24,200 *							125
130	45.1	208.4	18,000 *	48.3	214.2	19,500 *	50.2	217.0	20,400 *	53.1	220.7	21,800 *	55.8	223.1	23,100 *							130
135	42.7	203.2	17,100 *	46.0	209.6	18,500 *	47.9	212.7	19,400 *	50.9	216.8	20,800 *	53.7	219.6	22,100 *							135
140	40.1	197.5	16,200 *	43.6	204.5	17,600 *	45.6	208.0	18,400 *	48.7	212.5	19,700 *	51.6	215.8	21,000 *							140
145	37.5	191.3	15,400 *	41.1	199.1	16,700 *	43.2	202.9	17,500 *	46.5	208.0	18,800 *	49.4	211.6	20,000 *	52.2	214.0	21,100 *				145
150	34.6	184.4	14,600 *	38.5	193.1	15,800 *	40.7	197.3	16,600 *	44.1	203.0	17,800 *	47.2	207.2	19,000 *	50.1	210.0	20,100 *				150
155	31.5	176.7	13,800 *	35.7	186.5	15,000 *	38.0	191.2	15,700 *	41.6	197.6	16,900 *	44.8	202.4	18,100 *	47.8	205.6	19,200 *				155
160	28.1	168.0	13,100 *	32.7	179.1	14,200 *	35.2	184.5	14,900 *	39.0	191.7	16,100 *	42.4	197.1	17,200 *	45.5	200.9	18,300 *				160
170	19.8	145.5	11,600 *	25.8	161.3	12,800 *	28.9	168.5	13,400 *	33.3	178.0	14,500 *	37.1	185.1	15,500 *	40.6	190.2	16,600 *	43.6	193.5	17,500 *	170
180	1.3	91.7	10,100 *	16.5	135.4	11,100 *	20.8	146.9	11,800 *	26.5	160.7	13,000 *	31.1	170.4	14,000 *	35.1	177.3	15,000 *	38.5	182.0	15,800 *	180
190							6.5	105.8	10,300 *	17.5	135.9	11,300 *	23.8	151.1	12,400 *	28.7	161.2	13,500 *	32.7	168.1	14,300 *	190
200													13.2	121.2	10,800 *	20.6	139.4	11,800 *	25.8	150.2	12,800 *	200
210																5.7	96.6	10,300 *	16.4	124.3	11,200 *	210



Liftcrane Luffing Jib Capacities

888 SERIES 2

Luffing Jib No. 135 On Boom No. 22EL
 179,100 Lb. Crane Counterweight
 44,000 Lb. Carbody Counterweight
 28 Ft. 2 in. Crawlers Extended
 360 Degree Rating

Designed And Tested
 With The Intent To Be In
 The Scope of ANSI B30.5

90 Ft. Boom, 70 Ft. Jib

Jib Oper. Rad. Feet	88 Degree Boom Angle			83 Degree Boom Angle			80 Degree Boom Angle			75 Degree Boom Angle			70 Degree Boom Angle			65 Degree Boom Angle			60 Degree Boom Angle			Jib Oper. Rad. Feet
	Jib Ang. Deg.	Jib Point Elev. Feet	Luffing Jib Capacity Pounds	Jib Ang. Deg.	Jib Point Elev. Feet	Luffing Jib Capacity Pounds	Jib Ang. Deg.	Jib Point Elev. Feet	Luffing Jib Capacity Pounds	Jib Ang. Deg.	Jib Point Elev. Feet	Luffing Jib Capacity Pounds	Jib Ang. Deg.	Jib Point Elev. Feet	Luffing Jib Capacity Pounds	Jib Ang. Deg.	Jib Point Elev. Feet	Luffing Jib Capacity Pounds	Jib Ang. Deg.	Jib Point Elev. Feet	Luffing Jib Capacity Pounds	
45	60.4	158.8	96,900 *b																			45
50	55.5	155.7	94,000 *b	63.0	159.5	102,500 *b																50
55	50.4	151.9	90,200 *	58.3	156.7	97,800 *b	62.7	158.5	102,500 *b													55
60	44.9	147.3	86,700 *	53.3	153.3	93,700 *b	57.9	155.6	95,100 b													60
65	38.7	141.7	78,100 *	48.0	149.2	88,100	53.0	152.2	86,100 b	60.4	155.3	82,700 b										65
70	31.6	134.6	70,500 *	42.3	144.2	80,300	47.7	148.0	78,500	55.6	152.2	75,400 b										70
75	22.6	124.9	63,800 *	35.8	138.0	73,700	41.8	143.0	72,000	50.5	148.4	69,200	58.0	151.2	66,400 b							75
80	6.0	105.3	46,300 *	28.0	130.0	67,700 *	35.3	136.7	66,500	45.0	143.9	63,900	53.0	147.8	61,300							80
85				17.4	118.1	61,300 *	27.4	128.5	61,700	38.8	138.3	59,300	47.7	143.7	56,900							85
90							16.4	116.1	57,400	31.7	131.2	55,200	41.9	138.6	53,000	50.1	142.4	50,800				90
95										22.8	121.5	51,600	35.3	132.4	49,600	44.5	137.8	47,500				95
100										6.6	102.5	48,300	27.5	124.2	46,500	38.3	132.1	44,600	46.7	135.8	42,700	100
105													16.5	111.8	43,700	31.1	124.9	41,900	40.7	130.6	40,200	105
110																22.0	114.9	39,500	34.0	124.0	37,900	110
115																2.6	91.9	37,200	25.7	115.3	35,800	115
120																			13.6	101.3	33,800	120



Liftcrane Luffing Jib Capacities

888 SERIES 2

Luffing Jib No. 135 On Boom No. 22EL
 179,100 Lb. Crane Counterweight
 44,000 Lb. Carbody Counterweight
 28 Ft. 2 in. Crawlers Extended
 360 Degree Rating

Designed And Tested
 With The Intent To Be In
 The Scope of ANSI B30.5

90 Ft. Boom, 80 Ft. Jib

Jib Oper. Rad. Feet	88 Degree Boom Angle			83 Degree Boom Angle			80 Degree Boom Angle			75 Degree Boom Angle			70 Degree Boom Angle			65 Degree Boom Angle			60 Degree Boom Angle			Jib Oper. Rad. Feet
	Jib Ang. Deg.	Jib Point Elev. Feet	Luffing Jib Capacity Pounds	Jib Ang. Deg.	Jib Point Elev. Feet	Luffing Jib Capacity Pounds	Jib Ang. Deg.	Jib Point Elev. Feet	Luffing Jib Capacity Pounds	Jib Ang. Deg.	Jib Point Elev. Feet	Luffing Jib Capacity Pounds	Jib Ang. Deg.	Jib Point Elev. Feet	Luffing Jib Capacity Pounds	Jib Ang. Deg.	Jib Point Elev. Feet	Luffing Jib Capacity Pounds	Jib Ang. Deg.	Jib Point Elev. Feet	Luffing Jib Capacity Pounds	
40	68.3	172.3	95,000 *b																			40
45	64.4	170.1	90,300 *b																			45
50	60.3	167.4	87,500 *b	66.6	170.5	95,500 *b																50
55	56.1	164.3	83,600 *	62.6	168.2	91,100 *b	66.3	169.6	95,400 *b													55
60	51.7	160.7	80,000 *	58.5	165.3	87,000 *b	62.3	167.2	91,200 *b													60
65	47.0	156.4	76,700 *	54.2	162.0	83,100 *	58.2	164.3	85,800													65
70	41.8	151.3	70,800 *	49.6	158.1	79,600 *	53.9	160.9	78,200	60.4	164.0	75,000 b										70
75	36.1	145.1	64,400 *	44.8	153.5	73,600	49.3	157.0	71,800	56.2	160.9	68,900										75
80	29.5	137.4	58,900 *	39.4	147.9	67,900	44.4	152.3	66,300	51.7	157.2	63,600										80
85	21.2	126.8	54,000 *	33.4	141.1	62,100 *	39.0	146.7	61,500	47.0	153.0	59,000	53.9	156.5	56,500							85
90	5.7	105.8	40,100 *	26.2	132.4	56,800 *	32.9	139.8	57,300	41.9	147.9	55,000	49.4	152.6	52,700							90
95				16.3	119.5	52,100 *	25.6	130.9	53,600	36.2	141.7	51,400	44.5	147.9	49,300	51.4	151.2	47,200				95
100							15.3	117.5	50,200	29.6	134.0	48,200	39.1	142.3	46,200	46.6	146.9	44,200				100
105										21.3	123.5	45,400	33.0	135.4	43,500	41.5	141.7	41,600				105
110										6.2	103.1	42,700	25.7	126.5	41,000	35.8	135.4	39,300	43.5	139.9	37,500	110
115													15.5	113.2	38,700	29.1	127.6	37,100	38.0	134.1	35,500	115
120																20.5	116.7	35,100	31.7	126.9	33,600	120
125																2.5	92.1	33,200	24.1	117.5	31,900	125
130																			12.7	102.4	30,200	130



Liftcrane Luffing Jib Capacities

888 SERIES 2

Luffing Jib No. 135 On Boom No. 22EL
 179,100 Lb. Crane Counterweight
 44,000 Lb. Carbody Counterweight
 28 Ft. 2 in. Crawlers Extended
 360 Degree Rating

Designed And Tested
 With The Intent To Be In
 The Scope of ANSI B30.5

90 Ft. Boom, 90 Ft. Jib

Jib Oper. Rad. Feet	88 Degree Boom Angle			83 Degree Boom Angle			80 Degree Boom Angle			75 Degree Boom Angle			70 Degree Boom Angle			65 Degree Boom Angle			60 Degree Boom Angle			Jib Oper. Rad. Feet
	Jib Ang. Deg.	Jib Point Elev. Feet	Luffing Jib Capacity Pounds	Jib Ang. Deg.	Jib Point Elev. Feet	Luffing Jib Capacity Pounds	Jib Ang. Deg.	Jib Point Elev. Feet	Luffing Jib Capacity Pounds	Jib Ang. Deg.	Jib Point Elev. Feet	Luffing Jib Capacity Pounds	Jib Ang. Deg.	Jib Point Elev. Feet	Luffing Jib Capacity Pounds	Jib Ang. Deg.	Jib Point Elev. Feet	Luffing Jib Capacity Pounds	Jib Ang. Deg.	Jib Point Elev. Feet	Luffing Jib Capacity Pounds	
40	70.8	182.9	83,200 *b																			40
45	67.4	181.0	79,200 *b																			45
50	63.9	178.8	76,900 *b	69.3	181.3	83,600 *b																50
55	60.3	176.1	73,500 *	65.9	179.3	79,900 *b																55
60	56.5	173.0	70,400 *	62.3	176.8	76,400 *	65.6	178.3	79,800 *b													60
65	52.6	169.5	67,500 *	58.7	174.0	73,200 *	62.1	175.8	76,500 *													65
70	48.5	165.4	64,900 *	54.9	170.7	70,300 *	58.4	173.0	73,400 *													70
75	44.1	160.6	62,500 *	50.9	166.9	67,500 *	54.6	169.7	70,500 *	60.3	172.6	68,700										75
80	39.3	155.0	59,600 *	46.6	162.6	64,900 *	50.6	165.8	66,100	56.6	169.6	63,400										80
85	34.0	148.3	54,800 *	42.1	157.4	62,600 *	46.3	161.4	61,400	52.7	166.0	58,800										85
90	27.8	139.9	50,600 *	37.1	151.4	57,600 *	41.7	156.2	57,200	48.6	161.9	54,800	54.6	165.3	52,500							90
95	19.9	128.6	46,700 *	31.4	144.0	53,000 *	36.7	150.1	53,500	44.2	157.2	51,300	50.6	161.4	49,100							95
100	5.3	106.3	35,200 *	24.6	134.7	49,000 *	31.0	142.6	50,200	39.4	151.6	48,100	46.4	157.0	46,000	52.4	160.0	44,000				100
105				15.3	120.9	45,300 *	24.1	133.1	47,200	34.1	144.9	45,300	41.8	151.8	43,300	48.3	155.8	41,400				105
110							14.4	118.8	44,500	27.9	136.5	42,700	36.8	145.7	40,900	43.8	151.0	39,100				110
115										20.1	125.3	40,400	31.1	138.3	38,600	39.0	145.3	36,900	45.5	149.1	35,300	115
120										5.8	103.6	38,100	24.2	128.7	36,600	33.6	138.5	35,000	40.9	143.8	33,400	120
125													14.6	114.5	34,700	27.4	130.1	33,200	35.7	137.5	31,700	125
130																19.3	118.5	31,500	29.9	129.7	30,100	130
135																2.3	92.4	29,900	22.7	119.6	28,700	135
140																			11.9	103.5	27,300	140



Liftcrane Luffing Jib Capacities

888 SERIES 2

Luffing Jib No. 135 On Boom No. 22EL
 179,100 Lb. Crane Counterweight
 44,000 Lb. Carbody Counterweight
 28 Ft. 2 in. Crawlers Extended
 360 Degree Rating

Designed And Tested
 With The Intent To Be In
 The Scope of ANSI B30.5

90 Ft. Boom, 100 Ft. Jib

Jib Oper. Rad. Feet	88 Degree Boom Angle			83 Degree Boom Angle			80 Degree Boom Angle			75 Degree Boom Angle			70 Degree Boom Angle			65 Degree Boom Angle			60 Degree Boom Angle			Jib Oper. Rad. Feet
	Jib Ang. Deg.	Jib Point Elev. Feet	Luffing Jib Capacity Pounds	Jib Ang. Deg.	Jib Point Elev. Feet	Luffing Jib Capacity Pounds	Jib Ang. Deg.	Jib Point Elev. Feet	Luffing Jib Capacity Pounds	Jib Ang. Deg.	Jib Point Elev. Feet	Luffing Jib Capacity Pounds	Jib Ang. Deg.	Jib Point Elev. Feet	Luffing Jib Capacity Pounds	Jib Ang. Deg.	Jib Point Elev. Feet	Luffing Jib Capacity Pounds	Jib Ang. Deg.	Jib Point Elev. Feet	Luffing Jib Capacity Pounds	
40	72.8	193.5	77,800 *b																			40
45	69.8	191.8	75,200 *b																			45
50	66.7	189.8	71,700 *																			50
55	63.5	187.4	68,400 *	68.4	190.1	74,400 *b																55
60	60.3	184.8	65,400 *	65.3	188.0	71,100 *																60
65	56.9	181.7	62,500 *	62.1	185.5	68,000 *	65.1	187.0	70,900 *													65
70	53.4	178.2	59,900 *	58.8	182.7	65,000 *	61.9	184.5	67,900 *													70
75	49.8	174.3	57,500 *	55.4	179.4	62,300 *	58.6	181.6	65,100 *													75
80	45.9	169.7	55,200 *	51.8	175.7	59,800 *	55.1	178.4	62,400 *	60.3	181.3	63,000										80
85	41.7	164.5	53,200 *	48.1	171.5	57,400 *	51.6	174.6	59,900 *	57.0	178.2	58,500										85
90	37.2	158.5	50,700 *	44.1	166.7	55,200 *	47.8	170.4	56,900	53.5	174.8	54,500										90
95	32.2	151.2	47,000 *	39.8	161.2	53,100 *	43.8	165.5	53,200	49.8	170.8	51,000	55.2	174.0	48,700							95
100	26.3	142.3	43,700 *	35.1	154.6	49,200 *	39.5	159.9	49,900	45.9	166.3	47,800	51.6	170.2	45,700							100
105	18.9	130.3	40,600 *	29.8	146.8	45,600 *	34.8	153.3	47,000	41.8	161.1	45,000	47.9	166.0	43,000							105
110	5.1	106.8	30,900 *	23.4	136.8	42,400 *	29.4	145.3	44,300	37.3	155.0	42,400	43.9	161.2	40,600	49.5	164.7	38,700				110
115				14.5	122.2	39,400 *	22.8	135.1	41,900	32.3	147.8	40,100	39.6	155.6	38,300	45.6	160.2	36,600				115
120							13.7	120.0	39,300 *	26.4	139.0	38,000	34.8	149.0	36,300	41.5	154.9	34,700	47.1	158.2	33,000	120
125										19.0	127.0	36,100	29.4	141.0	34,500	36.9	148.8	32,900	43.1	153.2	31,400	125
130										5.5	104.1	34,200	22.9	130.8	32,800	31.9	141.5	31,300	38.7	147.4	29,800	130
135													13.8	115.8	31,100	25.9	132.4	29,800	33.8	140.6	28,400	135
140																18.3	120.1	28,300	28.3	132.3	27,000	140
145																2.2	92.6	26,900	21.5	121.5	25,800	145
150																			11.3	104.5	24,600	150



Liftcrane Luffing Jib Capacities

888 SERIES 2

Luffing Jib No. 135 On Boom No. 22EL
 179,100 Lb. Crane Counterweight
 44,000 Lb. Carbody Counterweight
 28 Ft. 2 in. Crawlers Extended
 360 Degree Rating

Designed And Tested
 With The Intent To Be In
 The Scope of ANSI B30.5

90 Ft. Boom, 110 Ft. Jib

Jib Oper. Rad. Feet	88 Degree Boom Angle			83 Degree Boom Angle			80 Degree Boom Angle			75 Degree Boom Angle			70 Degree Boom Angle			65 Degree Boom Angle			60 Degree Boom Angle			Jib Oper. Rad. Feet
	Jib Ang. Deg.	Jib Point Elev. Feet	Luffing Jib Capacity Pounds	Jib Ang. Deg.	Jib Point Elev. Feet	Luffing Jib Capacity Pounds	Jib Ang. Deg.	Jib Point Elev. Feet	Luffing Jib Capacity Pounds	Jib Ang. Deg.	Jib Point Elev. Feet	Luffing Jib Capacity Pounds	Jib Ang. Deg.	Jib Point Elev. Feet	Luffing Jib Capacity Pounds	Jib Ang. Deg.	Jib Point Elev. Feet	Luffing Jib Capacity Pounds	Jib Ang. Deg.	Jib Point Elev. Feet	Luffing Jib Capacity Pounds	
40	74.4	203.9	73,100 *b																			40
45	71.7	202.3	71,300 *b																			45
50	68.9	200.6	68,400 *																			50
55	66.1	198.5	65,600 *	70.5	200.8	70,600 *b																55
60	63.2	196.1	62,900 *	67.7	198.9	67,900 *																60
65	60.2	193.4	60,300 *	64.8	196.7	65,200 *	67.5	197.9	67,600 *													65
70	57.2	190.4	57,700 *	61.9	194.2	62,500 *	64.6	195.7	65,000 *													70
75	54.0	187.0	55,500 *	58.9	191.3	59,900 *	61.7	193.2	62,400 *													75
80	50.7	183.1	53,300 *	55.8	188.1	57,500 *	58.7	190.3	59,900 *													80
85	47.3	178.8	51,300 *	52.6	184.5	55,300 *	55.6	187.1	57,600 *	60.3	190.0	58,400										85
90	43.6	173.8	49,500 *	49.3	180.5	53,200 *	52.4	183.4	55,400 *	57.2	186.9	54,400										90
95	39.7	168.2	47,100 *	45.7	175.9	51,200 *	49.0	179.3	53,200	54.1	183.5	50,900										95
100	35.4	161.7	43,900 *	42.0	170.7	49,300 *	45.5	174.7	49,900	50.8	179.7	47,800	55.6	182.7	45,600							100
105	30.7	154.1	40,900 *	37.9	164.7	45,800 *	41.7	169.5	47,000	47.3	175.3	45,000	52.4	179.0	43,000							105
110	25.1	144.6	38,300 *	33.4	157.7	42,700 *	37.6	163.4	44,400	43.7	170.4	42,400	49.0	174.9	40,500							110
115	18.0	131.9	33,900 *	28.4	149.4	39,900 *	33.1	156.4	42,000	39.8	164.8	40,100	45.5	170.3	38,300	50.5	173.6	36,600				115
120	4.8	107.2	25,800 *	22.3	138.8	37,300 *	28.0	147.9	39,700 *	35.5	158.3	38,000	41.7	165.1	36,300	47.1	169.2	34,600				120
125				13.9	123.5	33,400 *	21.8	137.1	37,200 *	30.8	150.7	36,100	37.6	159.1	34,500	43.4	164.3	32,900				125
130							13.1	121.2	34,300 *	25.2	141.3	34,300	33.1	152.0	32,800	39.5	158.6	31,300	44.8	162.4	29,800	130
135										18.1	128.7	32,700	28.0	143.6	31,200	35.2	152.0	29,800	41.0	157.0	28,400	135
140										5.3	104.5	31,100	21.8	132.8	29,800	30.3	144.3	28,400	36.8	150.8	27,000	140
145													13.2	116.9	28,400	24.7	134.7	27,100	32.2	143.6	25,800	145
150																17.5	121.7	25,900	27.0	134.7	24,700	150
155																2.1	92.7	24,700	20.5	123.4	23,600	155
160																			10.8	105.5	22,500	160



Liftcrane Luffing Jib Capacities

888 SERIES 2

Luffing Jib No. 135 On Boom No. 22EL
 179,100 Lb. Crane Counterweight
 44,000 Lb. Carbody Counterweight
 28 Ft. 2 in. Crawlers Extended
 360 Degree Rating

Designed And Tested
 With The Intent To Be In
 The Scope of ANSI B30.5

90 Ft. Boom, 120 Ft. Jib

Jib Oper. Rad. Feet	88 Degree Boom Angle			83 Degree Boom Angle			80 Degree Boom Angle			75 Degree Boom Angle			70 Degree Boom Angle			65 Degree Boom Angle			60 Degree Boom Angle			Jib Oper. Rad. Feet
	Jib Ang. Deg.	Jib Point Elev. Feet	Luffing Jib Capacity Pounds	Jib Ang. Deg.	Jib Point Elev. Feet	Luffing Jib Capacity Pounds	Jib Ang. Deg.	Jib Point Elev. Feet	Luffing Jib Capacity Pounds	Jib Ang. Deg.	Jib Point Elev. Feet	Luffing Jib Capacity Pounds	Jib Ang. Deg.	Jib Point Elev. Feet	Luffing Jib Capacity Pounds	Jib Ang. Deg.	Jib Point Elev. Feet	Luffing Jib Capacity Pounds	Jib Ang. Deg.	Jib Point Elev. Feet	Luffing Jib Capacity Pounds	
40	75.7	214.2	67,700 *b																			40
45	73.2	212.8	66,100 *b																			45
50	70.7	211.2	63,300 *																			50
55	68.2	209.3	60,700 *																			55
60	65.6	207.2	58,200 *	69.6	209.6	62,600 *																60
65	62.9	204.8	55,800 *	67.0	207.6	60,100 *																65
70	60.2	202.1	53,500 *	64.4	205.4	57,800 *	66.9	206.7	59,900 *													70
75	57.4	199.1	51,400 *	61.7	202.8	55,500 *	64.2	204.4	57,600 *													75
80	54.5	195.7	49,200 *	59.0	200.0	53,300 *	61.6	201.8	55,400 *													80
85	51.6	191.9	47,200 *	56.2	196.8	51,000 *	58.8	199.0	53,200 *	63.0	201.3	56,000 *										85
90	48.4	187.7	45,400 *	53.3	193.3	48,900 *	56.0	195.8	51,100 *	60.3	198.6	54,100										90
95	45.2	183.0	43,600 *	50.2	189.3	47,000 *	53.0	192.2	49,000 *	57.5	195.6	50,600										95
100	41.7	177.7	41,900 *	47.0	184.9	45,100 *	50.0	188.2	47,100 *	54.6	192.2	47,400										100
105	38.0	171.8	40,400 *	43.7	180.0	43,400 *	46.8	183.8	45,200 *	51.6	188.5	44,600	56.0	191.4	42,600							105
110	33.9	164.9	38,300 *	40.1	174.4	41,800 *	43.4	178.8	43,500 *	48.5	184.3	42,100	53.1	187.8	40,200							110
115	29.3	156.7	35,900 *	36.2	168.0	39,800 *	39.8	173.2	41,700	45.2	179.6	39,800	50.0	183.8	38,000							115
120	24.0	146.8	33,700 *	32.0	160.7	37,300 *	35.9	166.7	39,500	41.7	174.3	37,700	46.8	179.4	36,000	51.4	182.4	34,300				120
125	17.2	133.5	29,900 *	27.1	151.8	35,000 *	31.6	159.3	37,200 *	38.0	168.3	35,800	43.5	174.4	34,200	48.2	178.2	32,500				125
130	4.6	107.6	22,900 *	21.3	140.7	32,900 *	26.8	150.3	34,900 *	34.0	161.5	34,100	39.9	168.8	32,500	45.0	173.5	30,900				130
135				13.3	124.7	29,600 *	20.8	139.0	32,800 *	29.4	153.4	32,500	36.0	162.4	30,900	41.5	168.1	29,400	46.2	171.5	28,000	135
140							12.5	122.3	30,500 *	24.1	143.4	31,000	31.7	154.9	29,500	37.7	162.1	28,100	42.8	166.4	26,700	140
145										17.4	130.2	29,500	26.8	146.0	28,200	33.6	155.1	26,800	39.2	160.7	25,500	145
150										5.1	105.0	28,200	20.9	134.7	26,900	29.0	146.9	25,600	35.2	154.1	24,300	150
155													12.6	118.1	25,700	23.6	136.8	24,500	30.8	146.4	23,300	155
160																16.7	123.2	23,400	25.8	137.1	22,300	160
170																			10.3	106.4	20,400	170



Liftcrane Luffing Jib Capacities

888 SERIES 2

Luffing Jib No. 135 On Boom No. 22EL
 179,100 Lb. Crane Counterweight
 44,000 Lb. Carbody Counterweight
 28 Ft. 2 in. Crawlers Extended
 360 Degree Rating

Designed And Tested
 With The Intent To Be In
 The Scope of ANSI B30.5

90 Ft. Boom, 130 Ft. Jib

Jib Oper. Rad. Feet	88 Degree Boom Angle			83 Degree Boom Angle			80 Degree Boom Angle			75 Degree Boom Angle			70 Degree Boom Angle			65 Degree Boom Angle			60 Degree Boom Angle			Jib Oper. Rad. Feet
	Jib Ang. Deg.	Jib Point Elev. Feet	Luffing Jib Capacity Pounds	Jib Ang. Deg.	Jib Point Elev. Feet	Luffing Jib Capacity Pounds	Jib Ang. Deg.	Jib Point Elev. Feet	Luffing Jib Capacity Pounds	Jib Ang. Deg.	Jib Point Elev. Feet	Luffing Jib Capacity Pounds	Jib Ang. Deg.	Jib Point Elev. Feet	Luffing Jib Capacity Pounds	Jib Ang. Deg.	Jib Point Elev. Feet	Luffing Jib Capacity Pounds	Jib Ang. Deg.	Jib Point Elev. Feet	Luffing Jib Capacity Pounds	
45	74.6	223.2	56,000 *b																			45
50	72.3	221.8	54,000 *																			50
55	69.9	220.0	51,800 *																			55
60	67.6	218.1	49,600 *																			60
65	65.2	215.9	47,600 *	68.9	218.4	51,100 *																65
70	62.7	213.5	45,700 *	66.5	216.4	49,100 *																70
75	60.2	210.7	43,800 *	64.1	214.1	47,200 *	66.3	215.4	48,900 *													75
80	57.6	207.7	42,100 *	61.6	211.5	45,300 *	63.9	213.1	47,000 *													80
85	55.0	204.4	40,400 *	59.1	208.6	43,500 *	61.4	210.5	45,200 *													85
90	52.2	200.7	38,800 *	56.5	205.5	41,800 *	58.9	207.6	43,500 *	62.7	210.0	45,700 *										90
95	49.4	196.6	37,300 *	53.8	202.0	40,200 *	56.3	204.4	41,800 *	60.2	207.3	44,100 *										95
100	46.4	192.1	35,900 *	51.0	198.2	38,600 *	53.6	200.9	40,200 *	57.7	204.3	42,500 *										100
105	43.3	187.1	34,600 *	48.1	193.9	37,100 *	50.8	197.1	38,600 *	55.0	200.9	41,000 *										105
110	40.0	181.5	33,300 *	45.1	189.2	35,700 *	47.9	192.8	37,200 *	52.3	197.3	39,400 *	56.3	200.0	39,900							110
115	36.4	175.1	32,200 *	41.9	183.9	34,400 *	44.9	188.0	35,800 *	49.4	193.2	38,000 *	53.6	196.5	37,700							115
120	32.5	167.8	31,100 *	38.5	178.0	33,200 *	41.6	182.7	34,500 *	46.5	188.7	36,600 *	50.8	192.7	35,700							120
125	28.2	159.3	30,100 *	34.8	171.2	32,000 *	38.2	176.7	33,200 *	43.3	183.7	35,300 *	47.9	188.4	33,900	52.1	191.2	32,300				125
130	23.1	148.9	29,200 *	30.7	163.5	31,000 *	34.5	169.9	32,100 *	40.0	178.0	33,900	44.9	183.6	32,300	49.2	187.1	30,700				130
135	16.6	135.0	26,700 *	26.0	154.2	30,000 *	30.4	162.0	31,000 *	36.5	171.7	32,300	41.7	178.3	30,700	46.2	182.6	29,200				135
140	4.4	108.0	20,500 *	20.5	142.6	29,200 *	25.7	152.7	30,100 *	32.6	164.4	30,800	38.2	172.3	29,300	43.1	177.5	27,800	47.4	180.5	26,400	140
145				12.7	125.8	26,500 *	20.0	140.8	29,200 *	28.2	155.9	29,400	34.5	165.6	28,000	39.8	171.8	26,600	44.3	175.7	25,200	145
150							12.0	123.4	27,400 *	23.1	145.5	28,100	30.4	157.7	26,700	36.2	165.4	25,400	41.0	170.2	24,100	150
155										16.7	131.7	26,900	25.7	148.3	25,600	32.3	158.1	24,300	37.6	164.1	23,000	155
160										4.9	105.4	25,700 *	20.1	136.5	24,500	27.9	149.4	23,300	33.8	157.2	22,100	160
170																16.1	124.7	21,400	24.8	139.3	20,300	170
180																9.9	107.3	18,600	9.9	107.3	18,600	180



Liftcrane Luffing Jib Capacities

888 SERIES 2

Luffing Jib No. 135 On Boom No. 22EL
 179,100 Lb. Crane Counterweight
 44,000 Lb. Carbody Counterweight
 28 Ft. 2 in. Crawlers Extended
 360 Degree Rating

Designed And Tested
 With The Intent To Be In
 The Scope of ANSI B30.5

90 Ft. Boom, 140 Ft. Jib

Jib Oper. Rad. Feet	88 Degree Boom Angle			83 Degree Boom Angle			80 Degree Boom Angle			75 Degree Boom Angle			70 Degree Boom Angle			65 Degree Boom Angle			60 Degree Boom Angle			Jib Oper. Rad. Feet
	Jib Ang. Deg.	Jib Point Elev. Feet	Luffing Jib Capacity Pounds	Jib Ang. Deg.	Jib Point Elev. Feet	Luffing Jib Capacity Pounds	Jib Ang. Deg.	Jib Point Elev. Feet	Luffing Jib Capacity Pounds	Jib Ang. Deg.	Jib Point Elev. Feet	Luffing Jib Capacity Pounds	Jib Ang. Deg.	Jib Point Elev. Feet	Luffing Jib Capacity Pounds	Jib Ang. Deg.	Jib Point Elev. Feet	Luffing Jib Capacity Pounds	Jib Ang. Deg.	Jib Point Elev. Feet	Luffing Jib Capacity Pounds	
45	75.7	233.6	52,000 *																			45
50	73.6	232.2	49,900 *																			50
55	71.4	230.6	47,800 *																			55
60	69.2	228.9	45,800 *																			60
65	67.0	226.8	43,900 *	70.5	229.1	47,100 *																65
70	64.8	224.6	42,100 *	68.3	227.2	45,200 *																70
75	62.5	222.1	40,300 *	66.1	225.1	43,400 *																75
80	60.2	219.4	38,600 *	63.8	222.7	41,600 *	65.9	224.1	43,200 *													80
85	57.8	216.4	37,000 *	61.5	220.2	39,900 *	63.6	221.8	41,500 *													85
90	55.3	213.1	35,500 *	59.1	217.3	38,300 *	61.3	219.2	39,800 *													90
95	52.8	209.5	34,000 *	56.7	214.2	36,700 *	59.0	216.3	38,200 *	62.6	218.7	40,300 *										95
100	50.2	205.5	32,600 *	54.2	210.7	35,200 *	56.6	213.1	36,700 *	60.2	215.9	38,800 *										100
105	47.5	201.1	31,300 *	51.7	207.0	33,700 *	54.1	209.7	35,200 *	57.8	212.9	37,300 *										105
110	44.6	196.3	30,000 *	49.0	202.8	32,400 *	51.5	205.9	33,700 *	55.4	209.6	35,900 *										110
115	41.7	191.0	28,800 *	46.3	198.3	31,100 *	48.8	201.7	32,400 *	52.9	206.0	34,500 *	56.6	208.7	36,200 *							115
120	38.5	185.0	27,700 *	43.4	193.2	29,800 *	46.1	197.1	31,100 *	50.2	202.0	33,100 *	54.1	205.3	34,900 *							120
125	35.1	178.3	26,600 *	40.3	187.6	28,600 *	43.1	192.0	29,900 *	47.5	197.7	31,800 *	51.5	201.5	33,600 *							125
130	31.3	170.7	25,600 *	37.0	181.4	27,500 *	40.1	186.4	28,700 *	44.7	192.9	30,600 *	48.9	197.3	31,900 *	52.7	200.0	30,300 *				130
135	27.1	161.7	24,700 *	33.5	174.3	26,500 *	36.8	180.1	27,500 *	41.7	187.5	29,400 *	46.1	192.7	30,400 *	50.0	196.0	28,800 *				135
140	22.2	150.9	23,900 *	29.5	166.2	25,500 *	33.2	173.0	26,500 *	38.5	181.6	28,300 *	43.2	187.7	29,000 *	47.3	191.6	27,500 *				140
145	15.9	136.4	23,200 *	25.1	156.5	24,600 *	29.2	164.7	25,600 *	35.1	174.9	27,200 *	40.1	182.0	27,600 *	44.5	186.7	26,200 *				145
150	4.3	108.4	18,200 *	19.7	144.3	23,800 *	24.7	154.9	24,700 *	31.4	167.3	26,200 *	36.8	175.7	26,400 *	41.5	181.4	25,100 *	45.5	184.8	23,700 *	150
155				12.3	126.9	23,300 *	19.3	142.5	23,900 *	27.2	158.4	25,300 *	33.2	168.6	25,300 *	38.3	175.4	24,000 *	42.6	179.7	22,700 *	155
160							11.6	124.4	23,300 *	22.3	147.5	24,400 *	29.3	160.4	24,200 *	34.8	168.6	22,900 *	39.5	173.9	21,700 *	160
170										4.7	105.8	23,000 *	19.3	138.2	22,200 *	26.8	151.9	21,100 *	32.5	160.1	19,900 *	170
180																15.5	126.0	19,400 *	23.8	141.5	18,300 *	180
190																9.6	108.2	16,900 *	9.6	108.2	16,900 *	190



Liftcrane Luffing Jib Capacities

888 SERIES 2

Luffing Jib No. 135 On Boom No. 22EL
 179,100 Lb. Crane Counterweight
 44,000 Lb. Carbody Counterweight
 28 Ft. 2 in. Crawlers Extended
 360 Degree Rating

Designed And Tested
 With The Intent To Be In
 The Scope of ANSI B30.5

90 Ft. Boom, 150 Ft. Jib

Jib Oper. Rad. Feet	88 Degree Boom Angle			83 Degree Boom Angle			80 Degree Boom Angle			75 Degree Boom Angle			70 Degree Boom Angle			65 Degree Boom Angle			60 Degree Boom Angle			Jib Oper. Rad. Feet	
	Jib Ang. Deg.	Jib Point Elev. Feet	Luffing Jib Capacity Pounds	Jib Ang. Deg.	Jib Point Elev. Feet	Luffing Jib Capacity Pounds	Jib Ang. Deg.	Jib Point Elev. Feet	Luffing Jib Capacity Pounds	Jib Ang. Deg.	Jib Point Elev. Feet	Luffing Jib Capacity Pounds	Jib Ang. Deg.	Jib Point Elev. Feet	Luffing Jib Capacity Pounds	Jib Ang. Deg.	Jib Point Elev. Feet	Luffing Jib Capacity Pounds	Jib Ang. Deg.	Jib Point Elev. Feet	Luffing Jib Capacity Pounds		
50	74.7	242.6	46,300 *																			50	
55	72.7	241.1	44,300 *																			55	
60	70.7	239.5	42,500 *																			60	
65	68.6	237.6	40,700 *																			65	
70	66.6	235.6	38,900 *	69.8	237.9	41,800 *																70	
75	64.5	233.3	37,300 *	67.7	236.0	40,100 *																75	
80	62.3	230.8	35,700 *	65.7	233.8	38,400 *	67.6	235.0	39,800 *													80	
85	60.2	228.1	34,100 *	63.6	231.4	36,800 *	65.5	232.8	38,200 *													85	
90	57.9	225.1	32,600 *	61.4	228.8	35,300 *	63.4	230.4	36,700 *													90	
95	55.7	221.8	31,200 *	59.2	226.0	33,700 *	61.2	227.8	35,200 *													95	
100	53.3	218.2	29,900 *	57.0	222.9	32,300 *	59.0	224.9	33,700 *	62.4	227.3	35,600 *										100	
105	50.9	214.3	28,600 *	54.6	219.5	30,900 *	56.8	221.8	32,300 *	60.2	224.6	34,200 *										105	
110	48.4	210.1	27,300 *	52.3	215.8	29,600 *	54.5	218.4	30,900 *	58.0	221.6	32,900 *										110	
115	45.8	205.4	26,200 *	49.8	211.7	28,300 *	52.1	214.7	29,600 *	55.7	218.3	31,500 *										115	
120	43.1	200.3	25,000 *	47.3	207.3	27,100 *	49.6	210.6	28,300 *	53.4	214.8	30,200 *	56.8	217.4	31,800 *							120	
125	40.2	194.7	24,000 *	44.6	202.5	25,900 *	47.1	206.1	27,100 *	50.9	210.9	29,000 *	54.5	214.0	30,600 *							125	
130	37.1	188.5	23,000 *	41.8	197.1	24,800 *	44.4	201.3	25,900 *	48.4	206.6	27,800 *	52.1	210.3	29,400 *							130	
135	33.8	181.4	22,000 *	38.9	191.2	23,800 *	41.6	195.9	24,800 *	45.8	202.0	26,600 *	49.7	206.2	28,200 *							135	
140	30.2	173.4	21,200 *	35.7	184.7	22,800 *	38.6	190.0	23,800 *	43.1	196.9	25,500 *	47.1	201.8	27,100 *	50.7	204.8	27,400				140	
145	26.2	164.1	20,300 *	32.3	177.3	21,900 *	35.5	183.4	22,800 *	40.2	191.3	24,400 *	44.4	196.9	26,000 *	48.2	200.6	26,100				145	
150	21.5	152.8	19,600 *	28.5	168.7	21,000 *	32.0	175.9	21,900 *	37.2	185.0	23,400 *	41.6	191.5	24,900 *	45.6	195.9	25,000				150	
155	15.4	137.8	18,900 *	24.2	158.7	20,200 *	28.2	167.3	21,000 *	33.9	178.0	22,400 *	38.7	185.6	23,900 *	42.9	190.7	23,900	46.6	193.9	22,600	155	
160	4.1	108.7	16,400 *	19.0	146.0	19,400 *	23.9	157.0	20,200 *	30.3	170.1	21,500 *	35.5	179.0	23,000 *	40.0	185.1	22,900	43.9	188.9	21,600	160	
170							11.2	125.4	18,900 *	21.5	149.5	20,000 *	28.3	162.9	21,200 *	33.6	171.7	21,000	38.1	177.4	19,800	170	
180										4.5	106.2	18,900 *	18.7	139.9	19,700 *	25.9	154.2	19,400	31.4	163.0	18,300	180	
190																14.9	127.4	17,900	23.0	143.6	16,900	190	
200																	9.2	109.0	15,600			15,600	200



Liftcrane Luffing Jib Capacities

888 SERIES 2

Luffing Jib No. 135 On Boom No. 22EL
 179,100 Lb. Crane Counterweight
 44,000 Lb. Carbody Counterweight
 28 Ft. 2 in. Crawlers Extended
 360 Degree Rating

Designed And Tested
 With The Intent To Be In
 The Scope of ANSI B30.5

90 Ft. Boom, 160 Ft. Jib

Jib Oper. Rad. Feet	88 Degree Boom Angle			83 Degree Boom Angle			80 Degree Boom Angle			75 Degree Boom Angle			70 Degree Boom Angle			65 Degree Boom Angle			60 Degree Boom Angle			Jib Oper. Rad. Feet
	Jib Ang. Deg.	Jib Point Elev. Feet	Luffing Jib Capacity Pounds	Jib Ang. Deg.	Jib Point Elev. Feet	Luffing Jib Capacity Pounds	Jib Ang. Deg.	Jib Point Elev. Feet	Luffing Jib Capacity Pounds	Jib Ang. Deg.	Jib Point Elev. Feet	Luffing Jib Capacity Pounds	Jib Ang. Deg.	Jib Point Elev. Feet	Luffing Jib Capacity Pounds	Jib Ang. Deg.	Jib Point Elev. Feet	Luffing Jib Capacity Pounds	Jib Ang. Deg.	Jib Point Elev. Feet	Luffing Jib Capacity Pounds	
50	75.7	253.0	42,600 *																			50
55	73.8	251.6	40,800 *																			55
60	71.9	250.1	39,000 *																			60
65	70.0	248.3	37,300 *																			65
70	68.1	246.4	35,700 *																			70
75	66.2	244.3	34,100 *	69.2	246.7	36,700 *																75
80	64.2	242.0	32,500 *	67.3	244.7	35,100 *																80
85	62.2	239.5	31,000 *	65.3	242.5	33,600 *	67.1	243.7	34,900 *													85
90	60.2	236.7	29,600 *	63.3	240.1	32,100 *	65.2	241.5	33,400 *													90
95	58.1	233.7	28,200 *	61.3	237.5	30,600 *	63.2	239.1	31,900 *													95
100	55.9	230.5	26,900 *	59.3	234.6	29,200 *	61.2	236.5	30,500 *													100
105	53.7	227.0	25,600 *	57.1	231.5	27,900 *	59.1	233.6	29,200 *	62.2	236.0	31,000 *										105
110	51.5	223.1	24,400 *	55.0	228.2	26,600 *	57.0	230.5	27,800 *	60.2	233.3	29,700 *										110
115	49.2	219.0	23,300 *	52.8	224.5	25,300 *	54.8	227.1	26,500 *	58.1	230.3	28,400 *										115
120	46.8	214.5	22,200 *	50.5	220.6	24,100 *	52.6	223.4	25,300 *	56.0	227.0	27,200 *										120
125	44.2	209.6	21,200 *	48.1	216.3	23,000 *	50.3	219.5	24,100 *	53.8	223.5	25,900 *	57.0	226.1	27,500 *							125
130	41.6	204.2	20,200 *	45.7	211.6	21,900 *	48.0	215.1	23,000 *	51.5	219.7	24,800 *	54.9	222.7	26,300 *							130
135	38.8	198.3	19,200 *	43.1	206.5	20,900 *	45.5	210.4	21,900 *	49.2	215.6	23,600 *	52.6	219.0	25,200 *							135
140	35.9	191.8	18,300 *	40.4	200.9	19,900 *	42.9	205.3	20,900 *	46.8	211.1	22,500 *	50.3	215.1	24,100 *							140
145	32.7	184.4	17,500 *	37.6	194.7	19,000 *	40.2	199.6	19,900 *	44.3	206.1	21,500 *	48.0	210.7	23,000 *	51.4	213.6	24,300 *				145
150	29.2	176.1	16,700 *	34.5	187.8	18,100 *	37.4	193.4	19,000 *	41.7	200.8	20,500 *	45.5	206.0	22,000 *	49.0	209.5	23,300 *				150
155	25.3	166.4	16,000 *	31.2	180.1	17,300 *	34.3	186.5	18,100 *	38.9	194.9	19,600 *	43.0	200.9	21,000 *	46.6	204.9	22,300 *				155
160	20.8	154.7	15,300 *	27.6	171.2	16,500 *	31.0	178.7	17,300 *	35.9	188.3	18,700 *	40.3	195.3	20,000 *	44.1	200.0	21,300 *	47.5	202.9	21,300	160
170	4.0	109.1	14,200 *	18.4	147.7	15,100 *	23.1	159.1	15,800 *	29.3	172.7	17,000 *	34.3	182.1	18,300 *	38.7	188.7	19,500 *	42.5	192.9	19,500	170
180							10.8	126.3	14,600 *	20.8	151.3	15,600 *	27.4	165.4	16,700 *	32.5	174.7	17,800 *	36.8	180.8	17,900	180
190										4.4	106.6	14,300 *	18.1	141.5	15,300 *	25.1	156.5	16,300 *	30.4	165.8	16,500	190
200																14.5	128.7	15,000 *	22.3	145.6	15,300	200
210																			9.0	109.8	14,100	210



Liftcrane Luffing Jib Capacities

888 SERIES 2

Luffing Jib No. 135 On Boom No. 22EL
 179,100 Lb. Crane Counterweight
 44,000 Lb. Carbody Counterweight
 28 Ft. 2 in. Crawlers Extended
 360 Degree Rating

Designed And Tested
 With The Intent To Be In
 The Scope of ANSI B30.5

90 Ft. Boom, 170 Ft. Jib

Jib Oper. Rad. Feet	88 Degree Boom Angle			83 Degree Boom Angle			80 Degree Boom Angle			75 Degree Boom Angle			70 Degree Boom Angle			65 Degree Boom Angle			60 Degree Boom Angle			Jib Oper. Rad. Feet
	Jib Ang. Deg.	Jib Point Elev. Feet	Luffing Jib Capacity Pounds	Jib Ang. Deg.	Jib Point Elev. Feet	Luffing Jib Capacity Pounds	Jib Ang. Deg.	Jib Point Elev. Feet	Luffing Jib Capacity Pounds	Jib Ang. Deg.	Jib Point Elev. Feet	Luffing Jib Capacity Pounds	Jib Ang. Deg.	Jib Point Elev. Feet	Luffing Jib Capacity Pounds	Jib Ang. Deg.	Jib Point Elev. Feet	Luffing Jib Capacity Pounds	Jib Ang. Deg.	Jib Point Elev. Feet	Luffing Jib Capacity Pounds	
55	74.8	262.0	37,800 *																			55
60	73.0	260.5	36,100 *																			60
65	71.3	258.9	34,500 *																			65
70	69.5	257.1	32,900 *																			70
75	67.7	255.2	31,400 *	70.5	257.4	33,800 *																75
80	65.8	253.0	29,900 *	68.7	255.5	32,300 *																80
85	64.0	250.7	28,500 *	66.9	253.5	30,900 *																85
90	62.1	248.1	27,200 *	65.0	251.2	29,500 *	66.7	252.5	30,700 *													90
95	60.2	245.4	25,800 *	63.1	248.8	28,100 *	64.9	250.2	29,300 *													95
100	58.2	242.4	24,600 *	61.2	246.2	26,800 *	63.0	247.8	28,000 *													100
105	56.2	239.2	23,400 *	59.3	243.3	25,500 *	61.1	245.1	26,700 *													105
110	54.1	235.7	22,200 *	57.3	240.2	24,200 *	59.2	242.3	25,400 *	62.1	244.7	27,100 *										110
115	52.0	231.9	21,100 *	55.3	236.9	23,000 *	57.2	239.2	24,200 *	60.2	241.9	25,900 *										115
120	49.9	227.9	20,000 *	53.2	233.3	21,900 *	55.1	235.8	23,000 *	58.2	238.9	24,700 *										120
125	47.6	223.5	19,000 *	51.1	229.4	20,800 *	53.1	232.2	21,900 *	56.2	235.7	23,600 *										125
130	45.3	218.7	18,100 *	48.9	225.2	19,800 *	50.9	228.3	20,800 *	54.2	232.2	22,400 *	57.2	234.8	23,900 *							130
135	42.9	213.6	17,200 *	46.6	220.6	18,800 *	48.7	224.1	19,700 *	52.1	228.5	21,300 *	55.2	231.4	22,800 *							135
140	40.3	207.9	16,300 *	44.2	215.7	17,800 *	46.4	219.5	18,800 *	49.9	224.4	20,300 *	53.1	227.8	21,700 *							140
145	37.6	201.8	15,500 *	41.8	210.4	16,900 *	44.1	214.5	17,800 *	47.6	220.0	19,300 *	50.9	223.9	20,700 *							145
150	34.8	194.9	14,700 *	39.2	204.5	16,100 *	41.6	209.1	16,900 *	45.3	215.3	18,300 *	48.7	219.7	19,700 *	51.9	222.4	20,900 *				150
155	31.7	187.3	13,900 *	36.4	198.1	15,200 *	39.0	203.2	16,000 *	42.9	210.1	17,400 *	46.5	215.1	18,800 *	49.7	218.4	20,000 *				155
160	28.4	178.7	13,200 *	33.5	190.9	14,500 *	36.2	196.8	15,200 *	40.4	204.5	16,600 *	44.1	210.2	17,900 *	47.5	214.0	19,100 *				160
170	20.1	156.5	11,700 *	26.8	173.7	13,000 *	30.0	181.4	13,700 *	34.8	191.5	14,900 *	39.0	198.9	16,100 *	42.7	204.0	17,300 *	46.0	207.2	18,300 *	170
180	3.9	109.4	10,200 *	17.9	149.3	11,300 *	22.4	161.1	12,100 *	28.4	175.3	13,500 *	33.3	185.2	14,600 *	37.5	192.1	15,700 *	41.1	196.7	16,700 *	180
190							10.5	127.3	10,500 *	20.2	153.2	11,700 *	26.5	167.8	13,000 *	31.5	177.5	14,200 *	35.7	184.1	15,100 *	190
200										4.2	107.0	10,300 *	17.5	143.1	11,400 *	24.3	158.7	12,500 *	29.4	168.4	13,700 *	200
210																14.0	129.9	11,000 *	21.6	147.5	12,000 *	210
220																			8.7	110.6	10,500 *	220



Liftcrane Luffing Jib Capacities

888 SERIES 2

Luffing Jib No. 135 On Boom No. 22EL
 179,100 Lb. Crane Counterweight
 44,000 Lb. Carbody Counterweight
 28 Ft. 2 in. Crawlers Extended
 360 Degree Rating

Designed And Tested
 With The Intent To Be In
 The Scope of ANSI B30.5

100 Ft. Boom, 70 Ft. Jib

Jib Oper. Rad. Feet	88 Degree Boom Angle			83 Degree Boom Angle			80 Degree Boom Angle			75 Degree Boom Angle			70 Degree Boom Angle			65 Degree Boom Angle			60 Degree Boom Angle			Jib Oper. Rad. Feet
	Jib Ang. Deg.	Jib Point Elev. Feet	Luffing Jib Capacity Pounds	Jib Ang. Deg.	Jib Point Elev. Feet	Luffing Jib Capacity Pounds	Jib Ang. Deg.	Jib Point Elev. Feet	Luffing Jib Capacity Pounds	Jib Ang. Deg.	Jib Point Elev. Feet	Luffing Jib Capacity Pounds	Jib Ang. Deg.	Jib Point Elev. Feet	Luffing Jib Capacity Pounds	Jib Ang. Deg.	Jib Point Elev. Feet	Luffing Jib Capacity Pounds	Jib Ang. Deg.	Jib Point Elev. Feet	Luffing Jib Capacity Pounds	
45	60.7	169.0	96,900 *b																			45
50	55.9	165.9	94,100 *b	64.1	170.0	103,400 *b																50
55	50.8	162.2	90,300 *	59.5	167.3	98,700 *b	64.2	169.2	103,900 *b													55
60	45.3	157.7	86,900 *	54.6	164.1	94,600 *b	59.6	166.5	94,400 b													60
65	39.2	152.2	78,800 *	49.4	160.2	87,700	54.7	163.3	85,400 b	62.8	166.4	81,600 b										65
70	32.2	145.2	71,600 *	43.7	155.4	80,000	49.5	159.4	77,900	58.1	163.5	74,400 b										70
75	23.4	135.7	63,300 *	37.4	149.6	73,400	43.9	154.7	71,500	53.2	160.1	68,300 b										75
80	8.3	118.1	47,600 *	30.1	142.1	67,800	37.7	148.9	66,000	47.9	156.0	63,100	56.5	159.6	60,200 b							80
85				20.5	131.5	62,800	30.3	141.5	61,200	42.1	151.0	58,500	51.4	156.0	55,800							85
90							20.8	131.1	57,000	35.6	144.8	54,500	45.9	151.6	52,000							90
95										27.8	136.7	51,000	39.9	146.2	48,700	49.2	150.8	46,400				95
100										17.0	124.5	47,800	33.0	139.4	45,600	43.6	146.0	43,500				100
105													24.5	130.3	42,900	37.3	140.1	40,900	46.7	144.4	38,900	105
110													11.1	114.8	40,400	29.9	132.6	38,600	40.7	139.2	36,700	110
115																20.2	121.9	36,400	34.0	132.7	34,700	115
120																			25.7	124.0	32,900	120
125																			13.6	109.9	31,100	125



Liftcrane Luffing Jib Capacities

888 SERIES 2

Luffing Jib No. 135 On Boom No. 22EL
 179,100 Lb. Crane Counterweight
 44,000 Lb. Carbody Counterweight
 28 Ft. 2 in. Crawlers Extended
 360 Degree Rating

Designed And Tested
 With The Intent To Be In
 The Scope of ANSI B30.5

100 Ft. Boom, 80 Ft. Jib

Jib Oper. Rad. Feet	88 Degree Boom Angle			83 Degree Boom Angle			80 Degree Boom Angle			75 Degree Boom Angle			70 Degree Boom Angle			65 Degree Boom Angle			60 Degree Boom Angle			Jib Oper. Rad. Feet
	Jib Ang. Deg.	Jib Point Elev. Feet	Luffing Jib Capacity Pounds	Jib Ang. Deg.	Jib Point Elev. Feet	Luffing Jib Capacity Pounds	Jib Ang. Deg.	Jib Point Elev. Feet	Luffing Jib Capacity Pounds	Jib Ang. Deg.	Jib Point Elev. Feet	Luffing Jib Capacity Pounds	Jib Ang. Deg.	Jib Point Elev. Feet	Luffing Jib Capacity Pounds	Jib Ang. Deg.	Jib Point Elev. Feet	Luffing Jib Capacity Pounds	Jib Ang. Deg.	Jib Point Elev. Feet	Luffing Jib Capacity Pounds	
40	68.5	182.4	94,900 *b																			40
45	64.6	180.2	90,200 *b																			45
50	60.6	177.6	87,400 *b	67.5	181.0	96,200 *b																50
55	56.4	174.6	83,700 *	63.6	178.7	91,900 *b	67.7	180.2	96,500 *b													55
60	52.0	171.0	80,100 *	59.5	176.0	87,900 *b	63.7	177.9	92,300 *b													60
65	47.3	166.7	76,900 *	55.3	172.8	84,000 *	59.7	175.2	85,100 b													65
70	42.2	161.7	71,700 *	50.8	169.0	79,700	55.4	172.0	77,600	62.5	175.0	74,100 b										70
75	36.6	155.6	65,500 *	46.0	164.6	73,200	50.9	168.3	71,200	58.4	172.2	68,000										75
80	30.0	148.0	60,200 *	40.8	159.3	67,600	46.2	163.9	65,800	54.1	168.9	62,800										80
85	21.8	137.7	55,100 *	34.9	152.9	62,700	41.0	158.6	61,000	49.5	164.9	58,200	56.9	168.3	55,500							85
90	7.8	118.8	42,100 *	28.1	144.7	58,400	35.1	152.2	56,900	44.6	160.3	54,300	52.5	164.8	51,700							90
95				19.1	133.3	54,500 *	28.3	144.1	53,200	39.3	154.7	50,700	47.9	160.6	48,300							95
100							19.5	132.8	49,800	33.2	147.9	47,600	42.8	155.6	45,300	50.7	159.6	43,100				100
105										25.9	139.1	44,800	37.2	149.7	42,700	45.9	155.2	40,600				105
110										15.9	126.0	42,200	30.8	142.3	40,200	40.6	149.9	38,300				110
115													22.9	132.4	38,000	34.8	143.4	36,200	43.5	148.6	34,400	115
120													10.4	115.7	35,900	27.9	135.2	34,200	38.0	142.8	32,500	120
125																18.9	123.6	32,500	31.7	135.6	30,900	125
130																			24.1	126.2	29,300	130
135																			12.7	111.1	27,800	135



Liftcrane Luffing Jib Capacities

888 SERIES 2

Luffing Jib No. 135 On Boom No. 22EL
 179,100 Lb. Crane Counterweight
 44,000 Lb. Carbody Counterweight
 28 Ft. 2 in. Crawlers Extended
 360 Degree Rating

Designed And Tested
 With The Intent To Be In
 The Scope of ANSI B30.5

100 Ft. Boom, 90 Ft. Jib

Jib Oper. Rad. Feet	88 Degree Boom Angle			83 Degree Boom Angle			80 Degree Boom Angle			75 Degree Boom Angle			70 Degree Boom Angle			65 Degree Boom Angle			60 Degree Boom Angle			Jib Oper. Rad. Feet
	Jib Ang. Deg.	Jib Point Elev. Feet	Luffing Jib Capacity Pounds	Jib Ang. Deg.	Jib Point Elev. Feet	Luffing Jib Capacity Pounds	Jib Ang. Deg.	Jib Point Elev. Feet	Luffing Jib Capacity Pounds	Jib Ang. Deg.	Jib Point Elev. Feet	Luffing Jib Capacity Pounds	Jib Ang. Deg.	Jib Point Elev. Feet	Luffing Jib Capacity Pounds	Jib Ang. Deg.	Jib Point Elev. Feet	Luffing Jib Capacity Pounds	Jib Ang. Deg.	Jib Point Elev. Feet	Luffing Jib Capacity Pounds	
40	71.0	193.0	83,000 *b																			40
45	67.6	191.2	79,000 *b																			45
50	64.1	188.9	76,800 *b	70.1	191.7	84,100 *b																50
55	60.5	186.3	73,500 *	66.7	189.7	80,500 *b																55
60	56.8	183.3	70,400 *	63.2	187.4	77,000 *b	66.8	188.9	80,600 *b													60
65	52.9	179.7	67,600 *	59.6	184.7	73,800 *	63.3	186.6	77,400 *b													65
70	48.8	175.7	65,000 *	55.8	181.5	70,900 *	59.7	183.9	74,300 *													70
75	44.4	170.9	62,600 *	51.9	177.8	68,100 *	55.9	180.7	71,000	62.2	183.7	67,700										75
80	39.7	165.4	60,400 *	47.7	173.6	65,500 *	52.0	177.1	65,600	58.6	180.9	62,500										80
85	34.4	158.8	56,000 *	43.2	168.7	62,600	47.8	172.9	60,900	54.7	177.6	58,000										85
90	28.3	150.6	51,900 *	38.4	162.9	58,300	43.4	168.0	56,700	50.7	173.8	54,100	57.3	177.0	51,400							90
95	20.6	139.6	48,000 *	32.9	155.9	54,500	38.5	162.2	53,100	46.5	169.4	50,600	53.4	173.5	48,100							95
100	7.3	119.4	37,100 *	26.4	147.1	50,900 *	33.1	155.3	49,800	41.9	164.2	47,400	49.3	169.5	45,100							100
105				18.0	134.9	47,300 *	26.7	146.6	46,800	36.9	158.2	44,700	45.0	164.9	42,500	51.8	168.4	40,300				105
110							18.4	134.5	44,200	31.2	150.8	42,100	40.3	159.4	40,100	47.6	164.2	38,100				110
115										24.4	141.3	39,800	35.0	152.9	37,900	43.1	159.3	36,000				115
120										15.0	127.3	37,700	29.0	145.0	35,900	38.2	153.4	34,100	45.5	157.8	32,300	120
125													21.6	134.4	34,000	32.7	146.4	32,300	40.9	152.4	30,700	125
130													9.8	116.6	32,300	26.3	137.6	30,700	35.7	146.1	29,100	130
135																17.8	125.2	29,200	29.9	138.4	27,700	135
140																			22.7	128.2	26,400	140
145																			11.9	112.2	25,100	145



Liftcrane Luffing Jib Capacities

888 SERIES 2

Luffing Jib No. 135 On Boom No. 22EL
 179,100 Lb. Crane Counterweight
 44,000 Lb. Carbody Counterweight
 28 Ft. 2 in. Crawlers Extended
 360 Degree Rating

Designed And Tested
 With The Intent To Be In
 The Scope of ANSI B30.5

100 Ft. Boom, 100 Ft. Jib

Jib Oper. Rad. Feet	88 Degree Boom Angle			83 Degree Boom Angle			80 Degree Boom Angle			75 Degree Boom Angle			70 Degree Boom Angle			65 Degree Boom Angle			60 Degree Boom Angle			Jib Oper. Rad. Feet
	Jib Ang. Deg.	Jib Point Elev. Feet	Luffing Jib Capacity Pounds	Jib Ang. Deg.	Jib Point Elev. Feet	Luffing Jib Capacity Pounds	Jib Ang. Deg.	Jib Point Elev. Feet	Luffing Jib Capacity Pounds	Jib Ang. Deg.	Jib Point Elev. Feet	Luffing Jib Capacity Pounds	Jib Ang. Deg.	Jib Point Elev. Feet	Luffing Jib Capacity Pounds	Jib Ang. Deg.	Jib Point Elev. Feet	Luffing Jib Capacity Pounds	Jib Ang. Deg.	Jib Point Elev. Feet	Luffing Jib Capacity Pounds	
40	73.0	203.6	77,600 *b																			40
45	70.0	201.9	75,100 *b																			45
50	66.9	199.9	71,600 *																			50
55	63.7	197.6	68,400 *	69.2	200.5	74,900 *b																55
60	60.5	195.0	65,400 *	66.1	198.4	71,600 *																60
65	57.1	191.9	62,500 *	62.9	196.1	68,500 *	66.2	197.6	71,700 *													65
70	53.7	188.5	59,900 *	59.6	193.3	65,600 *	63.0	195.2	68,800 *													70
75	50.0	184.5	57,500 *	56.2	190.2	62,900 *	59.7	192.5	66,000 *													75
80	46.2	180.1	55,300 *	52.7	186.6	60,300 *	56.3	189.4	63,300 *	62.0	192.4	62,200										80
85	42.0	174.9	53,300 *	49.0	182.5	57,900 *	52.8	185.8	60,600	58.7	189.5	57,700										85
90	37.6	168.9	51,400 *	45.1	177.9	55,700 *	49.1	181.8	56,400	55.3	186.3	53,700										90
95	32.6	161.8	48,100 *	40.9	172.5	53,600 *	45.2	177.2	52,800	51.7	182.6	50,200	57.5	185.6	47,700							95
100	26.8	153.0	44,900 *	36.3	166.3	50,700 *	41.0	171.8	49,500	48.0	178.4	47,100	54.1	182.2	44,800							100
105	19.5	141.3	41,900 *	31.2	158.8	47,200 *	36.5	165.6	46,600	44.0	173.5	44,300	50.4	178.4	42,100							105
110	7.0	120.1	33,000 *	25.1	149.4	44,100 *	31.3	158.2	44,000	39.7	168.0	41,800	46.6	174.0	39,700	52.6	177.2	37,700				110
115				17.1	136.5	41,200 *	25.3	148.9	41,600	35.0	161.4	39,600	42.5	168.9	37,600	48.9	173.1	35,600				115
120							17.4	136.1	39,400	29.6	153.5	37,500	38.1	163.0	35,600	45.0	168.5	33,700				120
125										23.2	143.4	35,600	33.2	156.0	33,800	40.8	163.1	32,000	47.1	166.8	30,300	125
130										14.2	128.6	33,800	27.5	147.5	32,100	36.2	156.8	30,400	43.1	161.8	28,800	130
135													20.5	136.2	30,500	31.0	149.3	28,900	38.7	156.1	27,400	135
140													9.3	117.4	29,000	24.9	139.9	27,600	33.8	149.2	26,100	140
145																16.9	126.8	26,300	28.3	140.9	24,900	145
150																			21.5	130.2	23,700	150
155																			11.3	113.2	22,700	155



Liftcrane Luffing Jib Capacities

888 SERIES 2

Luffing Jib No. 135 On Boom No. 22EL
 179,100 Lb. Crane Counterweight
 44,000 Lb. Carbody Counterweight
 28 Ft. 2 in. Crawlers Extended
 360 Degree Rating

Designed And Tested
 With The Intent To Be In
 The Scope of ANSI B30.5

100 Ft. Boom, 110 Ft. Jib

Jib Oper. Rad. Feet	88 Degree Boom Angle			83 Degree Boom Angle			80 Degree Boom Angle			75 Degree Boom Angle			70 Degree Boom Angle			65 Degree Boom Angle			60 Degree Boom Angle			Jib Oper. Rad. Feet
	Jib Ang. Deg.	Jib Point Elev. Feet	Luffing Jib Capacity Pounds	Jib Ang. Deg.	Jib Point Elev. Feet	Luffing Jib Capacity Pounds	Jib Ang. Deg.	Jib Point Elev. Feet	Luffing Jib Capacity Pounds	Jib Ang. Deg.	Jib Point Elev. Feet	Luffing Jib Capacity Pounds	Jib Ang. Deg.	Jib Point Elev. Feet	Luffing Jib Capacity Pounds	Jib Ang. Deg.	Jib Point Elev. Feet	Luffing Jib Capacity Pounds	Jib Ang. Deg.	Jib Point Elev. Feet	Luffing Jib Capacity Pounds	
40	74.6	214.0	72,700 *b																			40
45	71.9	212.5	71,000 *b																			45
50	69.1	210.7	68,200 *																			50
55	66.3	208.6	65,500 *																			55
60	63.4	206.3	62,900 *	68.4	209.3	68,200 *																60
65	60.4	203.6	60,300 *	65.5	207.2	65,600 *																65
70	57.4	200.6	57,800 *	62.6	204.7	63,000 *	65.6	206.3	65,700 *													70
75	54.3	197.2	55,500 *	59.7	202.0	60,400 *	62.7	203.9	63,100 *													75
80	51.0	193.4	53,400 *	56.6	198.9	58,000 *	59.7	201.2	60,700 *													80
85	47.5	189.1	51,400 *	53.4	195.4	55,800 *	56.7	198.1	58,300 *	61.8	201.0	57,600										85
90	43.9	184.2	49,600 *	50.1	191.4	53,700 *	53.5	194.6	56,100 *	58.8	198.2	53,700										90
95	40.0	178.6	47,900 *	46.6	187.0	51,700 *	50.2	190.7	52,700	55.7	195.0	50,200										95
100	35.8	172.2	45,200 *	42.9	181.9	49,900 *	46.7	186.2	49,500	52.5	191.4	47,100	57.8	194.3	44,700							100
105	31.0	164.6	42,200 *	38.9	176.2	47,700 *	43.0	181.2	46,600	49.2	187.3	44,300	54.6	191.0	42,100							105
110	25.5	155.3	39,400 *	34.6	169.5	44,500 *	39.1	175.5	44,000	45.6	182.7	41,800	51.4	187.2	39,700							110
115	18.6	143.0	35,600 *	29.7	161.5	41,500 *	34.7	168.8	41,600	41.8	177.5	39,600	47.9	182.9	37,500							115
120	6.6	120.7	27,400 *	23.9	151.6	38,900 *	29.8	160.9	39,400	37.8	171.5	37,500	44.3	178.1	35,600	50.0	182.0	33,700				120
125				16.3	137.9	36,400 *	24.1	151.1	37,400	33.3	164.5	35,600	40.5	172.7	33,800	46.5	177.6	32,000				125
130							16.6	137.6	35,600	28.2	156.1	33,900	36.3	166.3	32,100	42.8	172.5	30,400				130
135										22.1	145.4	32,200	31.6	158.9	30,600	38.8	166.7	29,000	44.8	171.1	27,400	135
140										13.5	129.8	30,700	26.2	149.9	29,200	34.5	160.0	27,600	41.0	165.7	26,100	140
145													19.5	138.0	27,800	29.5	152.0	26,400	36.8	159.5	24,900	145
150													8.9	118.2	26,600	23.7	142.0	25,200	32.2	152.2	23,800	150
155																16.1	128.2	24,100	27.0	143.4	22,700	155
160																			20.5	132.0	21,800	160



Liftcrane Luffing Jib Capacities

888 SERIES 2

Luffing Jib No. 135 On Boom No. 22EL
 179,100 Lb. Crane Counterweight
 44,000 Lb. Carbody Counterweight
 28 Ft. 2 in. Crawlers Extended
 360 Degree Rating

Designed And Tested
 With The Intent To Be In
 The Scope of ANSI B30.5

100 Ft. Boom, 120 Ft. Jib

Jib Oper. Rad. Feet	88 Degree Boom Angle			83 Degree Boom Angle			80 Degree Boom Angle			75 Degree Boom Angle			70 Degree Boom Angle			65 Degree Boom Angle			60 Degree Boom Angle			Jib Oper. Rad. Feet
	Jib Ang. Deg.	Jib Point Elev. Feet	Luffing Jib Capacity Pounds	Jib Ang. Deg.	Jib Point Elev. Feet	Luffing Jib Capacity Pounds	Jib Ang. Deg.	Jib Point Elev. Feet	Luffing Jib Capacity Pounds	Jib Ang. Deg.	Jib Point Elev. Feet	Luffing Jib Capacity Pounds	Jib Ang. Deg.	Jib Point Elev. Feet	Luffing Jib Capacity Pounds	Jib Ang. Deg.	Jib Point Elev. Feet	Luffing Jib Capacity Pounds	Jib Ang. Deg.	Jib Point Elev. Feet	Luffing Jib Capacity Pounds	
40	75.9	224.3	68,600 *b																			40
45	73.4	222.9	65,800 *b																			45
50	70.9	221.3	63,100 *																			50
55	68.4	219.5	60,500 *																			55
60	65.8	217.4	58,100 *	70.2	220.0	62,800 *																60
65	63.1	215.0	55,800 *	67.7	218.1	60,400 *																65
70	60.4	212.3	53,500 *	65.1	215.9	58,100 *	67.8	217.2	60,300 *													70
75	57.6	209.3	51,400 *	62.4	213.4	55,900 *	65.2	215.1	58,200 *													75
80	54.7	205.9	49,300 *	59.7	210.6	53,700 *	62.5	212.6	56,000 *													80
85	51.8	202.2	47,300 *	56.9	207.5	51,500 *	59.8	209.8	53,900 *													85
90	48.7	198.0	45,400 *	54.0	204.1	49,400 *	57.0	206.8	51,800 *	61.7	209.7	53,300										90
95	45.4	193.4	43,700 *	51.0	200.3	47,500 *	54.1	203.3	49,700 *	58.9	206.9	49,800										95
100	41.9	188.1	42,100 *	47.8	196.0	45,600 *	51.1	199.5	47,800 *	56.1	203.7	46,800										100
105	38.2	182.2	40,500 *	44.5	191.2	43,900 *	47.9	195.2	45,900 *	53.2	200.1	44,000	57.9	203.0	41,700							105
110	34.2	175.4	39,100 *	41.0	185.8	42,200 *	44.6	190.4	43,700	50.1	196.2	41,500	55.1	199.7	39,300							110
115	29.7	167.3	37,000 *	37.2	179.6	40,700 *	41.1	185.1	41,300	46.9	191.7	39,200	52.1	196.0	37,200							115
120	24.4	157.5	34,700 *	33.1	172.5	38,900 *	37.3	178.9	39,200	43.6	186.8	37,200	49.0	191.9	35,200							120
125	17.8	144.6	31,400 *	28.4	164.1	36,500 *	33.2	171.9	37,200	40.0	181.2	35,300	45.8	187.3	33,400	50.9	190.9	31,600				125
130	6.4	121.2	24,400 *	22.9	153.7	34,300 *	28.5	163.5	35,400	36.1	174.8	33,600	42.4	182.1	31,800	47.7	186.6	30,000				130
135				15.6	139.3	32,200 *	23.1	153.1	33,700	31.8	167.4	32,000	38.7	176.3	30,300	44.4	181.7	28,600				135
140							15.9	139.0	32,100	27.0	158.5	30,500	34.7	169.5	28,900	40.9	176.3	27,300	46.2	180.2	25,700	140
145										21.1	147.3	29,100	30.2	161.7	27,600	37.1	170.1	26,000	42.8	175.1	24,500	145
150										13.0	131.0	27,800	25.1	152.1	26,300	32.9	163.0	24,900	39.2	169.3	23,400	150
155													18.7	139.7	25,200	28.3	154.6	23,800	35.2	162.7	22,400	155
160													8.5	119.0	24,100	22.7	144.1	22,800	30.8	155.0	21,400	160
170																			19.6	133.8	19,700	170



Liftcrane Luffing Jib Capacities

888 SERIES 2

Luffing Jib No. 135 On Boom No. 22EL
 179,100 Lb. Crane Counterweight
 44,000 Lb. Carbody Counterweight
 28 Ft. 2 in. Crawlers Extended
 360 Degree Rating

Designed And Tested
 With The Intent To Be In
 The Scope of ANSI B30.5

100 Ft. Boom, 130 Ft. Jib

Jib Oper. Rad. Feet	88 Degree Boom Angle			83 Degree Boom Angle			80 Degree Boom Angle			75 Degree Boom Angle			70 Degree Boom Angle			65 Degree Boom Angle			60 Degree Boom Angle			Jib Oper. Rad. Feet
	Jib Ang. Deg.	Jib Point Elev. Feet	Luffing Jib Capacity Pounds	Jib Ang. Deg.	Jib Point Elev. Feet	Luffing Jib Capacity Pounds	Jib Ang. Deg.	Jib Point Elev. Feet	Luffing Jib Capacity Pounds	Jib Ang. Deg.	Jib Point Elev. Feet	Luffing Jib Capacity Pounds	Jib Ang. Deg.	Jib Point Elev. Feet	Luffing Jib Capacity Pounds	Jib Ang. Deg.	Jib Point Elev. Feet	Luffing Jib Capacity Pounds	Jib Ang. Deg.	Jib Point Elev. Feet	Luffing Jib Capacity Pounds	
45	74.7	233.3	55,400 *b																			45
50	72.4	231.9	53,800 *																			50
55	70.1	230.2	51,700 *																			55
60	67.7	228.2	49,600 *																			60
65	65.3	226.1	47,600 *	69.5	228.8	51,400 *																65
70	62.9	223.6	45,700 *	67.1	226.8	49,400 *																70
75	60.4	220.9	43,900 *	64.7	224.6	47,500 *	67.2	226.0	49,300 *													75
80	57.8	217.9	42,100 *	62.2	222.1	45,600 *	64.8	223.8	47,500 *													80
85	55.2	214.6	40,500 *	59.7	219.3	43,900 *	62.3	221.3	45,700 *													85
90	52.4	211.0	38,900 *	57.1	216.2	42,200 *	59.8	218.5	44,000 *													90
95	49.6	206.9	37,400 *	54.5	212.8	40,500 *	57.2	215.4	42,300 *	61.5	218.4	44,800 *										95
100	46.6	202.4	36,000 *	51.7	209.1	39,000 *	54.5	212.0	40,700 *	59.0	215.5	43,300 *										100
105	43.5	197.5	34,700 *	48.8	204.9	37,500 *	51.8	208.3	39,100 *	56.4	212.4	41,700 *										105
110	40.2	191.9	33,400 *	45.8	200.3	36,100 *	48.9	204.2	37,700 *	53.7	208.9	40,200 *										110
115	36.7	185.6	32,300 *	42.7	195.2	34,700 *	45.9	199.6	36,300 *	50.9	205.0	38,800 *	55.5	208.4	36,900							115
120	32.8	178.4	31,200 *	39.3	189.4	33,500 *	42.8	194.4	35,000 *	48.0	200.7	37,000	52.8	204.8	35,000							120
125	28.5	169.9	30,200 *	35.7	182.9	32,300 *	39.4	188.7	33,700 *	45.0	196.0	35,100	49.9	200.8	33,200							125
130	23.5	159.7	29,300 *	31.7	175.4	31,300 *	35.8	182.2	32,500 *	41.8	190.7	33,400	47.0	196.3	31,500	51.6	199.7	29,800				130
135	17.1	146.1	28,100 *	27.2	166.6	30,300 *	31.9	174.8	31,500 *	38.4	184.7	31,800	43.9	191.4	30,000	48.8	195.5	28,300				135
140	6.1	121.8	21,900 *	21.9	155.6	29,400 *	27.4	166.0	30,500 *	34.6	178.0	30,300	40.6	185.9	28,600	45.8	190.9	27,000				140
145				15.0	140.7	28,700 *	22.1	155.1	29,600 *	30.6	170.2	28,900	37.1	179.7	27,300	42.6	185.7	25,800	47.4	189.2	24,300	145
150							15.3	140.4	28,800 *	25.9	160.9	27,700	33.3	172.6	26,100	39.2	180.0	24,600	44.3	184.3	23,200	150
155										20.3	149.1	26,500	29.0	164.3	25,000	35.6	173.4	23,600	41.0	178.9	22,200	155
160										12.4	132.1	25,300	24.1	154.3	23,900	31.6	165.9	22,600	37.6	172.8	21,200	160
170													8.2	119.7	22,000	21.8	146.0	20,700	29.6	157.7	19,500	170
180																			18.8	135.5	17,900	180



Liftcrane Luffing Jib Capacities

888 SERIES 2

Luffing Jib No. 135 On Boom No. 22EL
 179,100 Lb. Crane Counterweight
 44,000 Lb. Carbody Counterweight
 28 Ft. 2 in. Crawlers Extended
 360 Degree Rating

Designed And Tested
 With The Intent To Be In
 The Scope of ANSI B30.5

100 Ft. Boom, 140 Ft. Jib

Jib Oper. Rad. Feet	88 Degree Boom Angle			83 Degree Boom Angle			80 Degree Boom Angle			75 Degree Boom Angle			70 Degree Boom Angle			65 Degree Boom Angle			60 Degree Boom Angle			Jib Oper. Rad. Feet
	Jib Ang. Deg.	Jib Point Elev. Feet	Luffing Jib Capacity Pounds	Jib Ang. Deg.	Jib Point Elev. Feet	Luffing Jib Capacity Pounds	Jib Ang. Deg.	Jib Point Elev. Feet	Luffing Jib Capacity Pounds	Jib Ang. Deg.	Jib Point Elev. Feet	Luffing Jib Capacity Pounds	Jib Ang. Deg.	Jib Point Elev. Feet	Luffing Jib Capacity Pounds	Jib Ang. Deg.	Jib Point Elev. Feet	Luffing Jib Capacity Pounds	Jib Ang. Deg.	Jib Point Elev. Feet	Luffing Jib Capacity Pounds	
45	75.8	243.7	51,600 *b																			45
50	73.7	242.3	49,800 *																			50
55	71.6	240.7	47,700 *																			55
60	69.4	239.0	45,800 *																			60
65	67.2	237.0	43,900 *	71.0	239.4	47,400 *																65
70	65.0	234.8	42,100 *	68.8	237.6	45,500 *																70
75	62.7	232.3	40,300 *	66.6	235.5	43,700 *																75
80	60.3	229.6	38,700 *	64.4	233.3	42,000 *	66.7	234.7	43,600 *													80
85	58.0	226.6	37,100 *	62.1	230.7	40,300 *	64.4	232.5	42,000 *													85
90	55.5	223.3	35,500 *	59.7	228.0	38,600 *	62.1	229.9	40,300 *													90
95	53.0	219.7	34,100 *	57.3	224.9	37,100 *	59.8	227.2	38,700 *													95
100	50.4	215.8	32,700 *	54.9	221.5	35,500 *	57.4	224.1	37,200 *	61.4	227.0	39,500 *										100
105	47.7	211.4	31,400 *	52.3	217.8	34,100 *	54.9	220.8	35,700 *	59.1	224.2	38,000 *										105
110	44.8	206.7	30,100 *	49.7	213.8	32,700 *	52.4	217.1	34,200 *	56.7	221.0	36,600 *										110
115	41.9	201.4	28,900 *	46.9	209.3	31,400 *	49.8	213.0	32,900 *	54.2	217.6	35,200 *										115
120	38.7	195.5	27,800 *	44.1	204.4	30,100 *	47.0	208.6	31,600 *	51.6	213.8	33,800 *	55.8	217.1	34,600							120
125	35.3	188.8	26,700 *	41.0	199.0	29,000 *	44.2	203.7	30,300 *	48.9	209.7	32,500 *	53.3	213.5	32,800							125
130	31.6	181.3	25,700 *	37.8	192.9	27,800 *	41.1	198.3	29,100 *	46.2	205.1	31,300 *	50.7	209.6	31,200							130
135	27.4	172.4	24,800 *	34.4	186.1	26,700 *	37.9	192.2	28,000 *	43.3	200.0	30,100 *	48.0	205.3	29,700	52.3	208.5	28,000				135
140	22.6	161.7	24,000 *	30.5	178.2	25,800 *	34.5	185.4	26,900 *	40.2	194.4	28,900 *	45.2	200.6	28,300	49.6	204.4	26,600				140
145	16.5	147.6	23,300 *	26.2	168.9	24,900 *	30.7	177.6	25,900 *	36.9	188.2	27,800 *	42.2	195.3	27,000	46.9	199.9	25,400				145
150	5.9	122.3	19,500 *	21.1	157.5	24,100 *	26.4	168.4	25,000 *	33.4	181.0	26,800 *	39.1	189.5	25,800	44.0	195.0	24,300				150
155				14.4	142.0	23,400 *	21.3	157.1	24,200 *	29.4	172.9	25,800 *	35.7	183.0	24,700	41.0	189.6	23,200	45.5	193.5	21,800	155
160							14.7	141.7	23,500 *	24.9	163.1	24,900 *	32.0	175.5	23,600	37.7	183.5	22,200	42.6	188.3	20,800	160
170										12.0	133.2	23,000	23.2	156.4	21,700	30.4	168.7	20,400	36.1	176.1	19,100	170
180													7.9	120.4	20,000	21.0	147.9	18,800	28.5	160.3	17,600	180
190																			18.1	137.1	16,200	190



Liftcrane Luffing Jib Capacities

888 SERIES 2

Luffing Jib No. 135 On Boom No. 22EL
 179,100 Lb. Crane Counterweight
 44,000 Lb. Carbody Counterweight
 28 Ft. 2 in. Crawlers Extended
 360 Degree Rating

Designed And Tested
 With The Intent To Be In
 The Scope of ANSI B30.5

100 Ft. Boom, 150 Ft. Jib

Jib Oper. Rad. Feet	88 Degree Boom Angle			83 Degree Boom Angle			80 Degree Boom Angle			75 Degree Boom Angle			70 Degree Boom Angle			65 Degree Boom Angle			60 Degree Boom Angle			Jib Oper. Rad. Feet
	Jib Ang. Deg.	Jib Point Elev. Feet	Luffing Jib Capacity Pounds	Jib Ang. Deg.	Jib Point Elev. Feet	Luffing Jib Capacity Pounds	Jib Ang. Deg.	Jib Point Elev. Feet	Luffing Jib Capacity Pounds	Jib Ang. Deg.	Jib Point Elev. Feet	Luffing Jib Capacity Pounds	Jib Ang. Deg.	Jib Point Elev. Feet	Luffing Jib Capacity Pounds	Jib Ang. Deg.	Jib Point Elev. Feet	Luffing Jib Capacity Pounds	Jib Ang. Deg.	Jib Point Elev. Feet	Luffing Jib Capacity Pounds	
50	74.8	252.7	46,100 *																			50
55	72.8	251.3	44,200 *																			55
60	70.8	249.6	42,400 *																			60
65	68.8	247.8	40,700 *																			65
70	66.7	245.7	38,900 *	70.3	248.3	42,100 *																70
75	64.6	243.5	37,300 *	68.3	246.4	40,400 *																75
80	62.5	241.0	35,700 *	66.2	244.3	38,700 *																80
85	60.3	238.3	34,200 *	64.1	242.0	37,100 *	66.2	243.5	38,700 *													85
90	58.1	235.3	32,700 *	61.9	239.4	35,600 *	64.1	241.1	37,100 *													90
95	55.8	232.0	31,300 *	59.7	236.6	34,100 *	62.0	238.6	35,600 *													95
100	53.5	228.5	29,900 *	57.5	233.6	32,600 *	59.8	235.8	34,200 *													100
105	51.1	224.6	28,600 *	55.2	230.2	31,200 *	57.6	232.8	32,700 *	61.3	235.7	34,900 *										105
110	48.6	220.4	27,400 *	52.9	226.6	29,900 *	55.3	229.5	31,400 *	59.1	232.8	33,500 *										110
115	46.0	215.8	26,200 *	50.4	222.7	28,600 *	52.9	225.8	30,000 *	56.9	229.7	32,200 *										115
120	43.2	210.7	25,100 *	47.9	218.3	27,400 *	50.5	221.9	28,700 *	54.6	226.3	30,900 *										120
125	40.4	205.1	24,100 *	45.3	213.6	26,200 *	48.0	217.6	27,500 *	52.2	222.6	29,600 *	56.1	225.8	31,400 *							125
130	37.3	198.9	23,100 *	42.5	208.4	25,100 *	45.3	212.9	26,400 *	49.7	218.5	28,400 *	53.8	222.2	30,200 *							130
135	34.1	191.9	22,100 *	39.6	202.7	24,100 *	42.6	207.7	25,200 *	47.2	214.1	27,200 *	51.4	218.4	29,000 *							135
140	30.5	184.0	21,200 *	36.5	196.3	23,100 *	39.7	202.0	24,200 *	44.5	209.3	26,100 *	48.9	214.2	27,900 *	52.8	217.2	26,500				140
145	26.5	174.8	20,400 *	33.2	189.1	22,100 *	36.6	195.6	23,200 *	41.7	203.9	25,000 *	46.3	209.7	26,800 *	50.4	213.3	25,300				145
150	21.8	163.7	19,700 *	29.5	180.9	21,200 *	33.3	188.4	22,200 *	38.8	198.0	24,000 *	43.6	204.7	25,700	47.8	208.9	24,200				150
155	15.9	149.0	19,000 *	25.3	171.2	20,400 *	29.6	180.3	21,300 *	35.6	191.4	23,000 *	40.7	199.1	24,600	45.2	204.2	23,100				155
160	5.7	122.8	17,500 *	20.4	159.4	19,700 *	25.5	170.7	20,500 *	32.2	184.0	22,100 *	37.7	193.0	23,600	42.4	199.0	22,100	46.6	202.5	20,700	160
170							14.2	142.9	19,100 *	24.1	165.3	20,400 *	30.9	178.3	21,700	36.4	186.8	20,300	41.1	192.1	19,000	170
180										11.6	134.2	19,100 *	22.4	158.4	20,000	29.4	171.4	18,700	34.9	179.3	17,500	180
190													7.6	121.1	18,400	20.3	149.7	17,300	27.5	162.8	16,200	190
200																17.5	138.7	14,900				200



Liftcrane Luffing Jib Capacities

888 SERIES 2

Luffing Jib No. 135 On Boom No. 22EL
 179,100 Lb. Crane Counterweight
 44,000 Lb. Carbody Counterweight
 28 Ft. 2 in. Crawlers Extended
 360 Degree Rating

Designed And Tested
 With The Intent To Be In
 The Scope of ANSI B30.5

100 Ft. Boom, 160 Ft. Jib

Jib Oper. Rad. Feet	88 Degree Boom Angle			83 Degree Boom Angle			80 Degree Boom Angle			75 Degree Boom Angle			70 Degree Boom Angle			65 Degree Boom Angle			60 Degree Boom Angle			Jib Oper. Rad. Feet
	Jib Ang. Deg.	Jib Point Elev. Feet	Luffing Jib Capacity Pounds	Jib Ang. Deg.	Jib Point Elev. Feet	Luffing Jib Capacity Pounds	Jib Ang. Deg.	Jib Point Elev. Feet	Luffing Jib Capacity Pounds	Jib Ang. Deg.	Jib Point Elev. Feet	Luffing Jib Capacity Pounds	Jib Ang. Deg.	Jib Point Elev. Feet	Luffing Jib Capacity Pounds	Jib Ang. Deg.	Jib Point Elev. Feet	Luffing Jib Capacity Pounds	Jib Ang. Deg.	Jib Point Elev. Feet	Luffing Jib Capacity Pounds	
50	75.8	263.0	42,500 *																			50
55	73.9	261.7	40,700 *																			55
60	72.1	260.2	39,000 *																			60
65	70.2	258.4	37,300 *																			65
70	68.3	256.6	35,700 *																			70
75	66.3	254.5	34,100 *	69.7	257.1	37,000 *																75
80	64.3	252.2	32,600 *	67.8	255.1	35,400 *																80
85	62.3	249.7	31,100 *	65.8	253.0	33,900 *	67.8	254.3	35,300 *													85
90	60.3	246.9	29,700 *	63.8	250.6	32,400 *	65.9	252.2	33,800 *													90
95	58.2	243.9	28,300 *	61.8	248.1	30,900 *	63.9	249.8	32,400 *													95
100	56.1	240.7	27,000 *	59.8	245.3	29,500 *	61.9	247.3	31,000 *													100
105	53.9	237.2	25,700 *	57.7	242.2	28,200 *	59.8	244.5	29,600 *													105
110	51.7	233.4	24,500 *	55.5	238.9	26,900 *	57.7	241.4	28,300 *	61.3	244.4	30,300 *										110
115	49.3	229.3	23,400 *	53.3	235.4	25,600 *	55.6	238.2	27,000 *	59.2	241.5	29,000 *										115
120	46.9	224.8	22,300 *	51.1	231.5	24,400 *	53.4	234.6	25,800 *	57.1	238.4	27,800 *										120
125	44.4	219.9	21,200 *	48.7	227.3	23,300 *	51.1	230.7	24,600 *	54.9	235.0	26,600 *										125
130	41.8	214.6	20,200 *	46.3	222.7	22,200 *	48.8	226.5	23,400 *	52.7	231.4	25,400 *	56.3	234.4	27,100 *							130
135	39.0	208.7	19,300 *	43.7	217.7	21,200 *	46.4	222.0	22,300 *	50.4	227.4	24,200 *	54.2	231.0	25,900 *							135
140	36.1	202.2	18,400 *	41.1	212.2	20,200 *	43.8	217.0	21,300 *	48.1	223.1	23,100 *	51.9	227.2	24,800 *							140
145	33.0	195.0	17,600 *	38.3	206.2	19,200 *	41.2	211.5	20,300 *	45.6	218.4	22,100 *	49.6	223.1	23,700 *							145
150	29.5	186.7	16,800 *	35.3	199.5	18,400 *	38.4	205.5	19,400 *	43.0	213.3	21,100 *	47.2	218.7	22,700 *	51.0	222.1	23,800				150
155	25.6	177.1	16,000 *	32.1	192.0	17,500 *	35.4	198.8	18,500 *	40.3	207.7	20,100 *	44.7	213.9	21,700 *	48.7	217.9	22,800				155
160	21.1	165.6	15,300 *	28.5	183.5	16,700 *	32.2	191.4	17,600 *	37.5	201.5	19,200 *	42.1	208.6	20,700 *	46.2	213.3	21,800				160
170	5.5	123.3	14,300 *	19.8	161.1	15,300 *	24.7	172.9	16,100 *	31.1	186.8	17,500 *	36.5	196.4	18,900 *	41.0	202.8	20,000	45.0	206.8	18,700	170
180							13.7	144.2	14,800 *	23.3	167.4	15,900 *	29.9	181.1	17,200 *	35.2	190.0	18,400	39.7	195.8	17,200	180
190										11.2	135.2	14,800 *	21.7	160.4	15,800 *	28.4	173.9	16,900 *	33.7	182.4	15,800	190
200													7.4	121.8	14,500 *	19.6	151.5	15,600 *	26.6	165.2	14,600	200
210																			16.9	140.2	13,500	210



Liftcrane Luffing Jib Capacities

888 SERIES 2

Luffing Jib No. 135 On Boom No. 22EL
 179,100 Lb. Crane Counterweight
 44,000 Lb. Carbody Counterweight
 28 Ft. 2 in. Crawlers Extended
 360 Degree Rating

Designed And Tested
 With The Intent To Be In
 The Scope of ANSI B30.5

100 Ft. Boom, 170 Ft. Jib

Jib Oper. Rad. Feet	88 Degree Boom Angle			83 Degree Boom Angle			80 Degree Boom Angle			75 Degree Boom Angle			70 Degree Boom Angle			65 Degree Boom Angle			60 Degree Boom Angle			Jib Oper. Rad. Feet
	Jib Ang. Deg.	Jib Point Elev. Feet	Luffing Jib Capacity Pounds	Jib Ang. Deg.	Jib Point Elev. Feet	Luffing Jib Capacity Pounds	Jib Ang. Deg.	Jib Point Elev. Feet	Luffing Jib Capacity Pounds	Jib Ang. Deg.	Jib Point Elev. Feet	Luffing Jib Capacity Pounds	Jib Ang. Deg.	Jib Point Elev. Feet	Luffing Jib Capacity Pounds	Jib Ang. Deg.	Jib Point Elev. Feet	Luffing Jib Capacity Pounds	Jib Ang. Deg.	Jib Point Elev. Feet	Luffing Jib Capacity Pounds	
55	74.9	272.1	37,600 *																			55
60	73.2	270.6	36,100 *																			60
65	71.4	269.0	34,500 *																			65
70	69.6	267.3	32,900 *																			70
75	67.8	265.3	31,400 *	70.9	267.7	34,000 *																75
80	66.0	263.2	30,000 *	69.1	265.9	32,600 *																80
85	64.1	260.9	28,600 *	67.3	263.9	31,200 *																85
90	62.2	258.3	27,200 *	65.5	261.7	29,800 *	67.4	263.1	31,100 *													90
95	60.3	255.6	25,900 *	63.6	259.3	28,400 *	65.5	260.9	29,700 *													95
100	58.3	252.6	24,700 *	61.7	256.7	27,000 *	63.7	258.5	28,400 *													100
105	56.3	249.4	23,400 *	59.8	253.9	25,800 *	61.8	255.9	27,100 *													105
110	54.3	245.9	22,300 *	57.8	250.9	24,500 *	59.8	253.1	25,800 *													110
115	52.2	242.2	21,200 *	55.8	247.6	23,300 *	57.9	250.1	24,600 *	61.2	253.0	26,500 *										115
120	50.0	238.2	20,100 *	53.7	244.1	22,200 *	55.9	246.9	23,400 *	59.2	250.2	25,300 *										120
125	47.8	233.8	19,100 *	51.6	240.3	21,100 *	53.8	243.3	22,300 *	57.3	247.1	24,200 *										125
130	45.4	229.1	18,200 *	49.4	236.2	20,000 *	51.7	239.5	21,200 *	55.2	243.7	23,000 *										130
135	43.0	223.9	17,200 *	47.2	231.7	19,000 *	49.5	235.4	20,100 *	53.2	240.1	21,900 *	56.6	243.1	23,500 *							135
140	40.5	218.3	16,400 *	44.8	226.9	18,100 *	47.2	231.0	19,100 *	51.0	236.2	20,900 *	54.5	239.7	22,500 *							140
145	37.8	212.2	15,500 *	42.4	221.6	17,200 *	44.9	226.2	18,200 *	48.8	232.0	19,800 *	52.4	236.0	21,400 *							145
150	35.0	205.4	14,700 *	39.8	215.9	16,300 *	42.5	220.9	17,200 *	46.5	227.5	18,900 *	50.3	232.0	20,400 *							150
155	31.9	197.9	14,000 *	37.1	209.6	15,500 *	39.9	215.2	16,400 *	44.2	222.5	17,900 *	48.0	227.7	19,500 *	51.6	230.9	20,800 *				155
160	28.6	189.3	13,300 *	34.2	202.6	14,700 *	37.2	208.9	15,500 *	41.7	217.2	17,000 *	45.7	223.0	18,500 *	49.4	226.8	19,900 *				160
170	20.5	167.4	11,700 *	27.7	186.0	13,200 *	31.2	194.2	14,000 *	36.3	204.8	15,400 *	40.8	212.4	16,800 *	44.8	217.5	18,100 *				170
180	5.3	123.8	10,200 *	19.2	162.9	11,600 *	23.9	175.0	12,400 *	30.2	189.6	13,900 *	35.3	199.6	15,100 *	39.8	206.5	16,400 *	43.6	210.8	16,900	180
190							13.3	145.4	10,800 *	22.6	169.4	12,200 *	29.0	183.7	13,600 *	34.1	193.2	14,800 *	38.5	199.4	15,600	190
200										10.9	136.2	10,600 *	21.0	162.3	11,900 *	27.6	176.4	13,300 *	32.7	185.4	14,400	200
210													7.1	122.4	10,400 *	19.0	153.2	11,600 *	25.8	167.5	12,900 *	210
220																			16.4	141.7	11,300 *	220



Liftcrane Luffing Jib Capacities

888 SERIES 2

Luffing Jib No. 135 On Boom No. 22EL
 179,100 Lb. Crane Counterweight
 44,000 Lb. Carbody Counterweight
 28 Ft. 2 in. Crawlers Extended
 360 Degree Rating

Designed And Tested
 With The Intent To Be In
 The Scope of ANSI B30.5

110 Ft. Boom, 70 Ft. Jib

Jib Oper. Rad. Feet	88 Degree Boom Angle			83 Degree Boom Angle			80 Degree Boom Angle			75 Degree Boom Angle			70 Degree Boom Angle			65 Degree Boom Angle			60 Degree Boom Angle			Jib Oper. Rad. Feet
	Jib Ang. Deg.	Jib Point Elev. Feet	Luffing Jib Capacity Pounds	Jib Ang. Deg.	Jib Point Elev. Feet	Luffing Jib Capacity Pounds	Jib Ang. Deg.	Jib Point Elev. Feet	Luffing Jib Capacity Pounds	Jib Ang. Deg.	Jib Point Elev. Feet	Luffing Jib Capacity Pounds	Jib Ang. Deg.	Jib Point Elev. Feet	Luffing Jib Capacity Pounds	Jib Ang. Deg.	Jib Point Elev. Feet	Luffing Jib Capacity Pounds	Jib Ang. Deg.	Jib Point Elev. Feet	Luffing Jib Capacity Pounds	
45	61.0	179.2	97,700 *b																			45
50	56.2	176.1	94,100 *b																			50
55	51.1	172.4	90,300 *b	60.6	178.0	99,600 *b																55
60	45.7	168.0	87,100 *	55.8	174.9	95,400 *b	61.2	177.4	93,700 b													60
65	39.6	162.6	79,300 *	50.7	171.1	87,300 b	56.5	174.3	84,700 b													65
70	32.7	155.7	72,100 *	45.2	166.6	79,600	51.4	170.7	77,300 b	60.6	174.7	73,400 b										70
75	24.1	146.5	65,000 *	39.1	161.1	73,100	45.9	166.3	70,900	55.8	171.6	67,400 b										75
80	10.1	130.2	49,700 *	32.0	154.1	67,500	39.9	160.9	65,500	50.7	167.9	62,200										80
85				23.2	144.5	62,600	33.0	154.2	60,800	45.2	163.4	57,700	54.9	167.9	54,700 b							85
90				7.7	126.4	51,100 *	24.5	145.1	56,600	39.1	157.8	53,800	49.7	164.1	50,900							90
95							11.1	129.5	52,800	32.0	150.8	50,300	44.1	159.4	47,600							95
100										23.2	141.3	47,100	37.9	153.6	44,700	48.4	159.2	42,300				100
105										7.8	123.2	44,200	30.6	146.3	42,000	42.7	154.3	39,800				105
110													21.2	136.0	39,600	36.2	148.2	37,500	46.7	153.1	35,400	110
115																28.6	140.3	35,400	40.7	147.9	33,400	115
120																18.3	128.8	33,500	34.0	141.3	31,700	120
125																			25.7	132.6	30,000	125
130																			13.6	118.6	28,400	130



Liftcrane Luffing Jib Capacities

888 SERIES 2

Luffing Jib No. 135 On Boom No. 22EL
 179,100 Lb. Crane Counterweight
 44,000 Lb. Carbody Counterweight
 28 Ft. 2 in. Crawlers Extended
 360 Degree Rating

Designed And Tested
 With The Intent To Be In
 The Scope of ANSI B30.5

110 Ft. Boom, 80 Ft. Jib

Jib Oper. Rad. Feet	88 Degree Boom Angle			83 Degree Boom Angle			80 Degree Boom Angle			75 Degree Boom Angle			70 Degree Boom Angle			65 Degree Boom Angle			60 Degree Boom Angle			Jib Oper. Rad. Feet
	Jib Ang. Deg.	Jib Point Elev. Feet	Luffing Jib Capacity Pounds	Jib Ang. Deg.	Jib Point Elev. Feet	Luffing Jib Capacity Pounds	Jib Ang. Deg.	Jib Point Elev. Feet	Luffing Jib Capacity Pounds	Jib Ang. Deg.	Jib Point Elev. Feet	Luffing Jib Capacity Pounds	Jib Ang. Deg.	Jib Point Elev. Feet	Luffing Jib Capacity Pounds	Jib Ang. Deg.	Jib Point Elev. Feet	Luffing Jib Capacity Pounds	Jib Ang. Deg.	Jib Point Elev. Feet	Luffing Jib Capacity Pounds	
45	64.9	190.4	87,600 *b																			45
50	60.9	187.8	84,100 *b																			50
55	56.7	184.8	80,400 *	64.6	189.2	89,100 *b																55
60	52.3	181.2	77,100 *	60.5	186.6	85,100 *b	65.1	188.6	89,900 *b													60
65	47.6	177.0	74,000 *	56.3	183.5	81,400 *	61.1	186.0	84,400 b													65
70	42.6	172.0	71,300 *	51.9	179.9	78,000 *	56.9	183.0	77,000													70
75	37.0	166.0	66,500 *	47.2	175.7	72,900	52.5	179.5	70,700	60.5	183.4	67,000 b										75
80	30.5	158.6	61,000 *	42.1	170.6	67,300	47.9	175.3	65,200	56.3	180.3	61,900										80
85	22.5	148.5	55,700 *	36.4	164.5	62,400	42.8	170.4	60,500	51.9	176.7	57,400										85
90	9.5	131.1	43,300 *	29.9	156.8	58,200	37.2	164.4	56,400	47.2	172.4	53,500	55.5	176.6	50,600							90
95				21.6	146.5	54,400	30.8	157.0	52,700	42.1	167.4	50,000	51.1	172.9	47,300							95
100				7.2	127.1	44,700 *	22.9	147.2	49,500	36.4	161.3	46,900	46.3	168.5	44,400							100
105							10.4	130.5	46,500	29.9	153.6	44,100	41.1	163.3	41,700	50.0	168.1	39,400				105
110										21.6	143.3	41,600	35.3	156.9	39,400	45.1	163.5	37,100				110
115										7.3	123.9	39,200	28.6	148.9	37,200	39.8	158.0	35,100				115
120													19.8	137.8	35,200	33.8	151.3	33,200	43.5	157.3	31,300	120
125																26.7	142.8	31,500	38.0	151.4	29,700	125
130																17.1	130.3	29,900	31.7	144.3	28,200	130
135																			24.1	134.8	26,800	135
140																			12.7	119.8	25,500	140



Liftcrane Luffing Jib Capacities

888 SERIES 2

Luffing Jib No. 135 On Boom No. 22EL
 179,100 Lb. Crane Counterweight
 44,000 Lb. Carbody Counterweight
 28 Ft. 2 in. Crawlers Extended
 360 Degree Rating

Designed And Tested
 With The Intent To Be In
 The Scope of ANSI B30.5

110 Ft. Boom, 90 Ft. Jib

Jib Oper. Rad. Feet	88 Degree Boom Angle			83 Degree Boom Angle			80 Degree Boom Angle			75 Degree Boom Angle			70 Degree Boom Angle			65 Degree Boom Angle			60 Degree Boom Angle			Jib Oper. Rad. Feet
	Jib Ang. Deg.	Jib Point Elev. Feet	Luffing Jib Capacity Pounds	Jib Ang. Deg.	Jib Point Elev. Feet	Luffing Jib Capacity Pounds	Jib Ang. Deg.	Jib Point Elev. Feet	Luffing Jib Capacity Pounds	Jib Ang. Deg.	Jib Point Elev. Feet	Luffing Jib Capacity Pounds	Jib Ang. Deg.	Jib Point Elev. Feet	Luffing Jib Capacity Pounds	Jib Ang. Deg.	Jib Point Elev. Feet	Luffing Jib Capacity Pounds	Jib Ang. Deg.	Jib Point Elev. Feet	Luffing Jib Capacity Pounds	
45	67.9	201.3	80,300 *b																			45
50	64.4	199.1	76,700 *b																			50
55	60.8	196.5	73,400 *	67.6	200.2	81,000 *b																55
60	57.1	193.5	70,400 *	64.1	197.9	77,600 *b	68.0	199.5	81,500 *b													60
65	53.2	190.0	67,600 *	60.5	195.3	74,400 *	64.5	197.3	78,300 *b													65
70	49.1	186.0	65,100 *	56.7	192.2	71,500 *	61.0	194.7	75,200 *													70
75	44.8	181.3	62,700 *	52.8	188.7	68,700 *	57.3	191.7	70,500													75
80	40.0	175.8	60,600 *	48.7	184.6	66,100 *	53.4	188.2	65,100	60.5	192.0	61,600										80
85	34.8	169.3	56,300 *	44.3	179.9	62,300	49.3	184.2	60,400	56.7	189.0	57,200										85
90	28.7	161.2	52,200 *	39.6	174.3	58,100	45.0	179.6	56,300	52.8	185.5	53,300										90
95	21.2	150.5	48,600 *	34.3	167.7	54,300	40.3	174.2	52,600	48.7	181.4	49,800	56.0	185.3	47,000							95
100	8.9	131.9	38,600 *	28.1	159.4	51,000	35.0	167.7	49,400	44.4	176.7	46,700	52.1	181.7	44,100							100
105				20.4	148.3	47,900	29.0	159.7	46,500	39.6	171.1	44,000	48.0	177.5	41,500							105
110				6.8	127.7	40,000 *	21.6	149.1	43,800	34.3	164.4	41,500	43.5	172.6	39,200	51.1	176.9	36,900				110
115							9.8	131.3	41,400	28.1	156.2	39,200	38.7	166.9	37,000	46.9	172.5	34,900				115
120										20.4	145.1	37,100	33.3	160.0	35,100	42.4	167.5	33,000				120
125										6.9	124.5	35,200	26.9	151.4	33,300	37.4	161.5	31,400	45.5	166.4	29,500	125
130													18.7	139.5	31,600	31.8	154.3	29,800	40.9	161.1	28,000	130
135																25.1	145.1	28,300	35.7	154.8	26,600	135
140																16.1	131.8	27,000	29.9	147.0	25,400	140
145																			22.7	136.9	24,200	145
150																			11.9	120.8	23,000	150



Liftcrane Luffing Jib Capacities

888 SERIES 2

Luffing Jib No. 135 On Boom No. 22EL
 179,100 Lb. Crane Counterweight
 44,000 Lb. Carbody Counterweight
 28 Ft. 2 in. Crawlers Extended
 360 Degree Rating

Designed And Tested
 With The Intent To Be In
 The Scope of ANSI B30.5

110 Ft. Boom, 100 Ft. Jib

Jib Oper. Rad. Feet	88 Degree Boom Angle			83 Degree Boom Angle			80 Degree Boom Angle			75 Degree Boom Angle			70 Degree Boom Angle			65 Degree Boom Angle			60 Degree Boom Angle			Jib Oper. Rad. Feet
	Jib Ang. Deg.	Jib Point Elev. Feet	Luffing Jib Capacity Pounds	Jib Ang. Deg.	Jib Point Elev. Feet	Luffing Jib Capacity Pounds	Jib Ang. Deg.	Jib Point Elev. Feet	Luffing Jib Capacity Pounds	Jib Ang. Deg.	Jib Point Elev. Feet	Luffing Jib Capacity Pounds	Jib Ang. Deg.	Jib Point Elev. Feet	Luffing Jib Capacity Pounds	Jib Ang. Deg.	Jib Point Elev. Feet	Luffing Jib Capacity Pounds	Jib Ang. Deg.	Jib Point Elev. Feet	Luffing Jib Capacity Pounds	
45	70.2	212.0	75,000 *b																			45
50	67.1	210.0	71,600 *b																			50
55	64.0	207.8	68,400 *	69.9	210.9	75,400 *b																55
60	60.7	205.1	65,400 *	66.8	208.9	72,200 *b																60
65	57.4	202.1	62,600 *	63.7	206.6	69,100 *	67.2	208.2	72,500 *b													65
70	53.9	198.7	60,000 *	60.4	203.9	66,200 *	64.1	206.0	69,600 *													70
75	50.3	194.8	57,600 *	57.1	200.9	63,500 *	60.9	203.4	66,800 *													75
80	46.4	190.4	55,400 *	53.6	197.5	60,900 *	57.5	200.4	64,200 *													80
85	42.3	185.3	53,400 *	49.9	193.5	58,500 *	54.1	197.0	60,100	60.4	200.7	56,800										85
90	37.9	179.3	51,500 *	46.1	189.0	56,300 *	50.4	193.1	56,000	57.1	197.7	52,900										90
95	33.0	172.3	48,300 *	42.0	183.8	54,100	46.6	188.7	52,300	53.6	194.2	49,500										95
100	27.2	163.7	45,100 *	37.5	177.8	50,700	42.5	183.6	49,100	49.9	190.3	46,400	56.5	194.0	43,700							100
105	20.1	152.3	42,200 *	32.5	170.7	47,700	38.1	177.7	46,200	46.1	185.8	43,700	52.9	190.5	41,200							105
110	8.5	132.6	34,500 *	26.7	161.9	44,900 *	33.2	170.8	43,600	42.0	180.6	41,200	49.3	186.4	38,800							110
115				19.3	150.1	42,000 *	27.5	162.2	41,200	37.5	174.6	38,900	45.4	181.8	36,700	52.1	185.7	34,500				115
120				6.5	128.3	35,900 *	20.5	151.0	39,000	32.5	167.4	36,900	41.2	176.5	34,800	48.3	181.5	32,700				120
125							9.3	132.2	37,000	26.7	158.6	35,000	36.6	170.3	33,000	44.4	176.8	31,000				125
130										19.3	146.9	33,300	31.5	162.9	31,400	40.1	171.2	29,400	47.1	175.5	27,600	130
135										6.5	125.1	31,600	25.5	153.7	29,800	35.4	164.8	28,000	43.1	170.5	26,300	135
140													17.7	141.1	28,400	30.1	157.0	26,700	38.7	164.7	25,000	140
145																23.8	147.2	25,500	33.8	157.9	23,900	145
150																15.3	133.1	24,300	28.3	149.6	22,800	150
155																			21.5	138.8	21,700	155
160																			11.3	121.9	20,800	160



Liftcrane Luffing Jib Capacities

888 SERIES 2

Luffing Jib No. 135 On Boom No. 22EL
 179,100 Lb. Crane Counterweight
 44,000 Lb. Carbody Counterweight
 28 Ft. 2 in. Crawlers Extended
 360 Degree Rating

Designed And Tested
 With The Intent To Be In
 The Scope of ANSI B30.5

110 Ft. Boom, 110 Ft. Jib

Jib Oper. Rad. Feet	88 Degree Boom Angle			83 Degree Boom Angle			80 Degree Boom Angle			75 Degree Boom Angle			70 Degree Boom Angle			65 Degree Boom Angle			60 Degree Boom Angle			Jib Oper. Rad. Feet
	Jib Ang. Deg.	Jib Point Elev. Feet	Luffing Jib Capacity Pounds	Jib Ang. Deg.	Jib Point Elev. Feet	Luffing Jib Capacity Pounds	Jib Ang. Deg.	Jib Point Elev. Feet	Luffing Jib Capacity Pounds	Jib Ang. Deg.	Jib Point Elev. Feet	Luffing Jib Capacity Pounds	Jib Ang. Deg.	Jib Point Elev. Feet	Luffing Jib Capacity Pounds	Jib Ang. Deg.	Jib Point Elev. Feet	Luffing Jib Capacity Pounds	Jib Ang. Deg.	Jib Point Elev. Feet	Luffing Jib Capacity Pounds	
45	72.0	222.6	70,700 *b																			45
50	69.3	220.8	67,900 *b																			50
55	66.5	218.8	65,300 *																			55
60	63.6	216.5	62,800 *	69.0	219.7	68,400 *b																60
65	60.7	213.8	60,300 *	66.2	217.6	65,900 *																65
70	57.6	210.8	57,900 *	63.3	215.3	63,400 *	66.6	217.0	66,200 *													70
75	54.5	207.5	55,600 *	60.4	212.6	60,900 *	63.7	214.6	63,800 *													75
80	51.2	203.7	53,500 *	57.3	209.6	58,500 *	60.8	212.0	61,400 *													80
85	47.8	199.4	51,500 *	54.2	206.2	56,300 *	57.8	209.0	59,100 *													85
90	44.2	194.6	49,700 *	50.9	202.4	54,200 *	54.6	205.7	55,900	60.4	209.4	52,800										90
95	40.3	189.0	48,000 *	47.5	198.0	52,200 *	51.4	201.9	52,300	57.3	206.3	49,400										95
100	36.1	182.7	45,600 *	43.8	193.1	50,300 *	47.9	197.7	49,100	54.2	202.9	46,400										100
105	31.4	175.2	42,500 *	39.9	187.6	47,700	44.3	192.9	46,200	50.9	199.1	43,600	56.8	202.7	41,100							105
110	25.9	166.1	39,800 *	35.7	181.1	45,100	40.5	187.4	43,600	47.5	194.8	41,200	53.6	199.2	38,800							110
115	19.2	154.0	37,200 *	30.9	173.5	42,400 *	36.3	181.1	41,200	43.8	189.9	38,900	50.3	195.3	36,700							115
120	8.1	133.4	29,200 *	25.4	164.2	39,700 *	31.6	173.7	39,100	39.9	184.3	36,900	46.8	190.9	34,700	52.8	194.5	32,600				120
125				18.4	151.7	37,100 *	26.2	164.6	37,100	35.7	177.9	35,000	43.1	185.9	33,000	49.5	190.4	31,000				125
130				6.2	128.8	30,600 *	19.5	152.7	35,300	30.9	170.3	33,300	39.2	180.2	31,400	46.0	185.9	29,400				130
135							8.9	133.0	33,600	25.4	160.9	31,700	34.9	173.5	29,900	42.2	180.7	28,000				135
140										18.4	148.5	30,300	30.0	165.7	28,500	38.2	174.8	26,700	44.8	179.7	25,000	140
145										6.2	125.6	28,800	24.3	155.9	27,200	33.7	167.9	25,500	41.0	174.3	23,900	145
150													16.9	142.6	26,000	28.7	159.7	24,400	36.8	168.1	22,800	150
155																22.7	149.3	23,300	32.2	160.9	21,800	155
160																14.5	134.4	22,300	27.0	152.1	20,800	160
170																10.8	122.8	19,100	10.8	122.8	19,100	170



Liftcrane Luffing Jib Capacities

888 SERIES 2

Luffing Jib No. 135 On Boom No. 22EL
 179,100 Lb. Crane Counterweight
 44,000 Lb. Carbody Counterweight
 28 Ft. 2 in. Crawlers Extended
 360 Degree Rating

Designed And Tested
 With The Intent To Be In
 The Scope of ANSI B30.5

110 Ft. Boom, 120 Ft. Jib

Jib Oper. Rad. Feet	88 Degree Boom Angle			83 Degree Boom Angle			80 Degree Boom Angle			75 Degree Boom Angle			70 Degree Boom Angle			65 Degree Boom Angle			60 Degree Boom Angle			Jib Oper. Rad. Feet
	Jib Ang. Deg.	Jib Point Elev. Feet	Luffing Jib Capacity Pounds	Jib Ang. Deg.	Jib Point Elev. Feet	Luffing Jib Capacity Pounds	Jib Ang. Deg.	Jib Point Elev. Feet	Luffing Jib Capacity Pounds	Jib Ang. Deg.	Jib Point Elev. Feet	Luffing Jib Capacity Pounds	Jib Ang. Deg.	Jib Point Elev. Feet	Luffing Jib Capacity Pounds	Jib Ang. Deg.	Jib Point Elev. Feet	Luffing Jib Capacity Pounds	Jib Ang. Deg.	Jib Point Elev. Feet	Luffing Jib Capacity Pounds	
45	73.6	233.0	58,600 *b																			45
50	71.1	231.4	57,400 *																			50
55	68.5	229.6	55,700 *																			55
60	65.9	227.5	53,500 *	70.9	230.3	58,100 *																60
65	63.3	225.1	51,300 *	68.3	228.5	55,900 *																65
70	60.6	222.5	49,200 *	65.7	226.4	53,800 *																70
75	57.8	219.5	47,300 *	63.1	224.0	51,600 *	66.1	225.7	54,000 *													75
80	55.0	216.2	45,400 *	60.4	221.3	49,600 *	63.4	223.3	51,900 *													80
85	52.0	212.5	43,600 *	57.6	218.3	47,600 *	60.7	220.7	49,900 *													85
90	48.9	208.3	42,000 *	54.7	214.9	45,800 *	57.9	217.7	48,000 *													90
95	45.6	203.7	40,400 *	51.7	211.2	44,000 *	55.1	214.4	46,100 *	60.4	218.0	49,100										95
100	42.2	198.5	39,000 *	48.6	207.0	42,400 *	52.1	210.7	44,400 *	57.6	215.0	46,000										100
105	38.5	192.6	37,700 *	45.3	202.3	40,800 *	49.0	206.6	42,800 *	54.7	211.7	43,300										105
110	34.5	185.9	36,400 *	41.9	197.1	39,400 *	45.8	202.0	41,200 *	51.7	207.9	40,800	57.1	211.4	38,400							110
115	30.0	177.9	35,300 *	38.2	191.1	38,000 *	42.4	196.8	39,800 *	48.6	203.8	38,600	54.2	207.9	36,300							115
120	24.8	168.3	34,300 *	34.1	184.3	36,800 *	38.7	191.0	38,400 *	45.3	199.1	36,600	51.2	204.1	34,400							120
125	18.3	155.7	33,200 *	29.6	176.2	35,700 *	34.7	184.3	36,900	41.9	193.8	34,700	48.0	199.9	32,600							125
130	7.7	134.0	26,100 *	24.3	166.4	34,700 *	30.2	176.4	35,100	38.2	187.9	33,000	44.7	195.1	31,000	50.4	199.3	29,000				130
135				17.6	153.3	33,100 *	25.1	166.9	33,400	34.1	181.0	31,500	41.2	189.7	29,500	47.2	194.9	27,600				135
140				5.9	129.3	27,400 *	18.7	154.4	31,800	29.6	173.0	30,000	37.5	183.6	28,200	43.9	190.0	26,300				140
145							8.5	133.7	30,400	24.3	163.1	28,600	33.3	176.6	26,900	40.3	184.5	25,100	46.2	188.8	23,500	145
150										17.6	150.1	27,400	28.7	168.3	25,700	36.5	178.2	24,000	42.8	183.7	22,400	150
155										5.9	126.1	26,100	23.2	158.0	24,600	32.3	170.9	23,000	39.2	178.0	21,400	155
160													16.2	144.0	23,500	27.5	162.2	22,000	35.2	171.4	20,500	160
170																13.9	135.7	20,200	25.8	154.4	18,800	170
180																			10.3	123.7	17,200	180



Liftcrane Luffing Jib Capacities

888 SERIES 2

Luffing Jib No. 135 On Boom No. 22EL
 179,100 Lb. Crane Counterweight
 44,000 Lb. Carbody Counterweight
 28 Ft. 2 in. Crawlers Extended
 360 Degree Rating

Designed And Tested
 With The Intent To Be In
 The Scope of ANSI B30.5

110 Ft. Boom, 130 Ft. Jib

Jib Oper. Rad. Feet	88 Degree Boom Angle			83 Degree Boom Angle			80 Degree Boom Angle			75 Degree Boom Angle			70 Degree Boom Angle			65 Degree Boom Angle			60 Degree Boom Angle			Jib Oper. Rad. Feet
	Jib Ang. Deg.	Jib Point Elev. Feet	Luffing Jib Capacity Pounds	Jib Ang. Deg.	Jib Point Elev. Feet	Luffing Jib Capacity Pounds	Jib Ang. Deg.	Jib Point Elev. Feet	Luffing Jib Capacity Pounds	Jib Ang. Deg.	Jib Point Elev. Feet	Luffing Jib Capacity Pounds	Jib Ang. Deg.	Jib Point Elev. Feet	Luffing Jib Capacity Pounds	Jib Ang. Deg.	Jib Point Elev. Feet	Luffing Jib Capacity Pounds	Jib Ang. Deg.	Jib Point Elev. Feet	Luffing Jib Capacity Pounds	
45	74.9	243.4	54,800 *b																			45
50	72.6	242.0	53,700 *																			50
55	70.3	240.3	51,600 *																			55
60	67.9	238.4	49,500 *																			60
65	65.5	236.2	47,600 *	70.0	239.2	51,600 *																65
70	63.1	233.8	45,700 *	67.7	237.2	49,700 *																70
75	60.6	231.1	43,900 *	65.3	235.1	47,800 *	68.0	236.5	49,800 *													75
80	58.0	228.2	42,200 *	62.8	232.6	46,000 *	65.6	234.4	48,000 *													80
85	55.4	224.9	40,600 *	60.3	229.9	44,200 *	63.2	232.0	46,200 *													85
90	52.6	221.2	39,000 *	57.8	226.9	42,600 *	60.7	229.3	44,500 *													90
95	49.8	217.2	37,500 *	55.1	223.6	40,900 *	58.1	226.4	42,900 *	62.8	229.4	45,500 *										95
100	46.8	212.8	36,100 *	52.4	219.9	39,400 *	55.5	223.1	41,200 *	60.3	226.7	44,000 *										100
105	43.7	207.8	34,800 *	49.5	215.9	37,900 *	52.8	219.5	39,700 *	57.8	223.7	42,500 *										105
110	40.5	202.3	33,500 *	46.6	211.4	36,500 *	49.9	215.5	38,200 *	55.1	220.4	40,600										110
115	36.9	196.0	32,400 *	43.5	206.4	35,100 *	47.0	211.1	36,800 *	52.4	216.7	38,400	57.3	220.0	36,000							115
120	33.1	188.9	31,300 *	40.2	200.8	33,900 *	43.9	206.1	35,500 *	49.5	212.7	36,300	54.6	216.7	34,100							120
125	28.8	180.6	30,300 *	36.6	194.5	32,700 *	40.6	200.6	34,200 *	46.6	208.2	34,500	51.9	212.9	32,400							125
130	23.8	170.5	29,400 *	32.7	187.3	31,600 *	37.1	194.4	33,000 *	43.5	203.2	32,800	49.0	208.8	30,800							130
135	17.6	157.2	28,600 *	28.4	178.8	30,600 *	33.3	187.3	31,900 *	40.2	197.6	31,200	46.0	204.2	29,300	51.2	208.1	27,400				135
140	7.4	134.7	23,300 *	23.3	168.5	29,700 *	29.0	179.1	30,900 *	36.6	191.3	29,800	42.9	199.1	27,900	48.3	203.9	26,100				140
145				16.9	154.8	28,900 *	24.1	169.1	29,900 *	32.7	184.0	28,500	39.5	193.4	26,700	45.3	199.2	24,900				145
150				5.7	129.8	24,600 *	17.9	156.0	28,900	28.4	175.6	27,200	35.9	187.0	25,500	42.1	193.9	23,800	47.4	197.8	22,100	150
155							8.2	134.5	27,300 *	23.3	165.3	26,000	32.0	179.5	24,400	38.7	188.1	22,700	44.3	193.0	21,200	155
160										16.9	151.6	24,900	27.5	170.8	23,300	35.0	181.4	21,800	41.0	187.6	20,200	160
170													15.5	145.4	21,400	26.4	164.6	20,000	33.8	174.5	18,600	170
180																13.4	136.9	18,400	24.8	156.6	17,100	180
190																			9.9	124.6	15,700	190



Liftcrane Luffing Jib Capacities

888 SERIES 2

Luffing Jib No. 135 On Boom No. 22EL
 179,100 Lb. Crane Counterweight
 44,000 Lb. Carbody Counterweight
 28 Ft. 2 in. Crawlers Extended
 360 Degree Rating

Designed And Tested
 With The Intent To Be In
 The Scope of ANSI B30.5

110 Ft. Boom, 140 Ft. Jib

Jib Oper. Rad. Feet	88 Degree Boom Angle			83 Degree Boom Angle			80 Degree Boom Angle			75 Degree Boom Angle			70 Degree Boom Angle			65 Degree Boom Angle			60 Degree Boom Angle			Jib Oper. Rad. Feet
	Jib Ang. Deg.	Jib Point Elev. Feet	Luffing Jib Capacity Pounds	Jib Ang. Deg.	Jib Point Elev. Feet	Luffing Jib Capacity Pounds	Jib Ang. Deg.	Jib Point Elev. Feet	Luffing Jib Capacity Pounds	Jib Ang. Deg.	Jib Point Elev. Feet	Luffing Jib Capacity Pounds	Jib Ang. Deg.	Jib Point Elev. Feet	Luffing Jib Capacity Pounds	Jib Ang. Deg.	Jib Point Elev. Feet	Luffing Jib Capacity Pounds	Jib Ang. Deg.	Jib Point Elev. Feet	Luffing Jib Capacity Pounds	
45	76.0	253.8	51,100 *b																			45
50	73.9	252.4	49,600 *																			50
55	71.7	250.9	47,600 *																			55
60	69.6	249.1	45,700 *																			60
65	67.4	247.1	43,900 *																			65
70	65.1	244.9	42,100 *	69.4	248.0	45,800 *																70
75	62.8	242.5	40,400 *	67.2	246.0	44,000 *																75
80	60.5	239.8	38,700 *	64.9	243.8	42,300 *	67.5	245.3	44,100 *													80
85	58.1	236.8	37,100 *	62.6	241.3	40,600 *	65.2	243.1	42,400 *													85
90	55.7	233.6	35,600 *	60.3	238.6	39,000 *	62.9	240.7	40,800 *													90
95	53.2	230.0	34,200 *	57.9	235.6	37,400 *	60.6	238.0	39,200 *													95
100	50.6	226.1	32,800 *	55.5	232.3	35,900 *	58.2	235.0	37,700 *	62.6	238.1	40,100 *										100
105	47.9	221.8	31,500 *	52.9	228.7	34,500 *	55.8	231.8	36,200 *	60.3	235.4	38,700 *										105
110	45.0	217.0	30,200 *	50.3	224.7	33,100 *	53.3	228.2	34,800 *	57.9	232.4	37,300 *										110
115	42.1	211.7	29,000 *	47.6	220.4	31,700 *	50.7	224.3	33,400 *	55.5	229.1	35,900 *										115
120	38.9	205.9	27,900 *	44.8	215.6	30,500 *	48.0	220.0	32,100 *	52.9	225.5	34,600 *	57.5	228.7	33,700							120
125	35.5	199.3	26,800 *	41.8	210.3	29,300 *	45.2	215.3	30,800 *	50.3	221.5	33,200 *	55.0	225.4	32,000							125
130	31.9	191.8	25,800 *	38.6	204.4	28,200 *	42.2	210.1	29,600 *	47.6	217.2	32,000 *	52.5	221.7	30,400							130
135	27.7	183.1	24,900 *	35.2	197.7	27,100 *	39.1	204.3	28,400 *	44.8	212.4	30,700 *	49.9	217.7	28,900							135
140	23.0	172.5	24,100 *	31.5	190.1	26,100 *	35.7	197.7	27,400 *	41.8	207.1	29,500	47.1	213.3	27,600	51.9	216.9	25,700				140
145	17.0	158.8	23,400 *	27.3	181.3	25,100 *	32.0	190.3	26,300 *	38.6	201.2	28,100	44.3	208.4	26,300	49.2	212.8	24,500				145
150	7.1	135.3	20,800 *	22.5	170.5	24,300 *	27.9	181.6	25,400 *	35.2	194.5	26,900	41.2	203.0	25,100	46.4	208.3	23,400				150
155				16.3	156.3	23,600 *	23.2	171.1	24,500 *	31.5	186.9	25,700	38.0	196.9	24,000	43.5	203.3	22,400				155
160				5.5	130.3	22,000 *	17.3	157.6	23,800 *	27.3	178.0	24,600	34.6	190.1	23,000	40.5	197.7	21,400	45.5	202.1	19,900	160
170										16.3	153.1	22,600	26.5	173.2	21,100	33.7	184.5	19,700	39.5	191.2	18,200	170
180													14.9	146.8	19,400	25.4	166.9	18,100	32.5	177.5	16,700	180
190																12.9	138.0	16,600	23.8	158.8	15,400	190
200																9.6	125.5	14,200	9.6	125.5	14,200	200



Liftcrane Luffing Jib Capacities

888 SERIES 2

Luffing Jib No. 135 On Boom No. 22EL
 179,100 Lb. Crane Counterweight
 44,000 Lb. Carbody Counterweight
 28 Ft. 2 in. Crawlers Extended
 360 Degree Rating

Designed And Tested
 With The Intent To Be In
 The Scope of ANSI B30.5

110 Ft. Boom, 150 Ft. Jib

Jib Oper. Rad. Feet	88 Degree Boom Angle			83 Degree Boom Angle			80 Degree Boom Angle			75 Degree Boom Angle			70 Degree Boom Angle			65 Degree Boom Angle			60 Degree Boom Angle			Jib Oper. Rad. Feet
	Jib Ang. Deg.	Jib Point Elev. Feet	Luffing Jib Capacity Pounds	Jib Ang. Deg.	Jib Point Elev. Feet	Luffing Jib Capacity Pounds	Jib Ang. Deg.	Jib Point Elev. Feet	Luffing Jib Capacity Pounds	Jib Ang. Deg.	Jib Point Elev. Feet	Luffing Jib Capacity Pounds	Jib Ang. Deg.	Jib Point Elev. Feet	Luffing Jib Capacity Pounds	Jib Ang. Deg.	Jib Point Elev. Feet	Luffing Jib Capacity Pounds	Jib Ang. Deg.	Jib Point Elev. Feet	Luffing Jib Capacity Pounds	
50	75.0	262.8	45,900 *																			50
55	73.0	261.4	44,100 *																			55
60	71.0	259.7	42,300 *																			60
65	68.9	257.9	40,600 *																			65
70	66.9	255.9	38,900 *	70.8	258.6	42,300 *																70
75	64.8	253.6	37,300 *	68.8	256.8	40,600 *																75
80	62.7	251.2	35,700 *	66.7	254.7	39,000 *																80
85	60.5	248.4	34,200 *	64.6	252.5	37,500 *	67.0	254.1	39,100 *													85
90	58.3	245.5	32,800 *	62.5	250.0	35,900 *	64.9	251.8	37,600 *													90
95	56.0	242.3	31,400 *	60.3	247.2	34,400 *	62.7	249.4	36,100 *													95
100	53.6	238.7	30,000 *	58.1	244.3	33,000 *	60.6	246.7	34,600 *													100
105	51.2	234.9	28,700 *	55.8	241.0	31,600 *	58.4	243.7	33,200 *	62.5	246.7	35,500 *										105
110	48.7	230.7	27,500 *	53.4	237.5	30,200 *	56.1	240.5	31,800 *	60.3	244.0	34,200 *										110
115	46.2	226.1	26,300 *	51.0	233.6	28,900 *	53.8	237.0	30,500 *	58.1	241.0	32,900 *										115
120	43.4	221.1	25,200 *	48.5	229.3	27,700 *	51.4	233.2	29,200 *	55.8	237.8	31,500 *										120
125	40.6	215.5	24,200 *	45.9	224.7	26,500 *	48.9	229.0	28,000 *	53.4	234.2	30,300 *	57.6	237.4	31,900							125
130	37.6	209.4	23,200 *	43.2	219.6	25,400 *	46.3	224.4	26,800 *	51.0	230.3	29,100 *	55.4	234.1	30,300							130
135	34.3	202.5	22,200 *	40.3	214.0	24,400 *	43.6	219.4	25,700 *	48.5	226.1	27,900 *	53.0	230.5	28,800							135
140	30.7	194.6	21,300 *	37.3	207.8	23,300 *	40.7	213.9	24,600 *	45.9	221.5	26,700 *	50.6	226.5	27,500							140
145	26.8	185.5	20,500 *	34.0	200.8	22,400 *	37.7	207.7	23,600 *	43.2	216.4	25,600 *	48.1	222.2	26,200	52.4	225.7	24,400				145
150	22.2	174.5	19,700 *	30.4	192.9	21,500 *	34.5	200.9	22,600 *	40.3	210.8	24,600 *	45.4	217.5	25,000	50.0	221.7	23,300				150
155	16.4	160.2	19,100 *	26.4	183.7	20,700 *	30.9	193.1	21,700 *	37.3	204.6	23,600 *	42.7	212.4	24,000	47.4	217.3	22,300				155
160	6.9	136.0	18,600 *	21.7	172.5	19,900 *	27.0	184.0	20,900 *	34.0	197.6	22,600 *	39.8	206.7	22,900	44.8	212.5	21,300				160
170				5.3	130.8	18,800 *	16.7	159.1	19,400 *	26.4	180.4	20,900 *	33.4	193.2	21,100	39.1	201.3	19,600	43.9	206.2	18,100	170
180										15.8	154.5	19,400 *	25.6	175.5	19,400	32.5	187.5	18,000	38.1	194.7	16,700	180
190													14.4	148.1	17,900	24.5	169.1	16,600	31.4	180.3	15,400	190
200																12.4	139.1	15,300	23.0	160.9	14,200	200
210																			9.2	126.3	13,000	210



Liftcrane Luffing Jib Capacities

888 SERIES 2

Luffing Jib No. 135 On Boom No. 22EL
 179,100 Lb. Crane Counterweight
 44,000 Lb. Carbody Counterweight
 28 Ft. 2 in. Crawlers Extended
 360 Degree Rating

Designed And Tested
 With The Intent To Be In
 The Scope of ANSI B30.5

110 Ft. Boom, 160 Ft. Jib

Jib Oper. Rad. Feet	88 Degree Boom Angle			83 Degree Boom Angle			80 Degree Boom Angle			75 Degree Boom Angle			70 Degree Boom Angle			65 Degree Boom Angle			60 Degree Boom Angle			Jib Oper. Rad. Feet
	Jib Ang. Deg.	Jib Point Elev. Feet	Luffing Jib Capacity Pounds	Jib Ang. Deg.	Jib Point Elev. Feet	Luffing Jib Capacity Pounds	Jib Ang. Deg.	Jib Point Elev. Feet	Luffing Jib Capacity Pounds	Jib Ang. Deg.	Jib Point Elev. Feet	Luffing Jib Capacity Pounds	Jib Ang. Deg.	Jib Point Elev. Feet	Luffing Jib Capacity Pounds	Jib Ang. Deg.	Jib Point Elev. Feet	Luffing Jib Capacity Pounds	Jib Ang. Deg.	Jib Point Elev. Feet	Luffing Jib Capacity Pounds	
50	75.9	273.1	42,300 *																			50
55	74.1	271.8	40,600 *																			55
60	72.2	270.3	38,900 *																			60
65	70.3	268.6	37,300 *																			65
70	68.4	266.7	35,700 *																			70
75	66.5	264.6	34,100 *	70.1	267.5	37,200 *																75
80	64.5	262.3	32,600 *	68.2	265.6	35,700 *																80
85	62.5	259.8	31,100 *	66.3	263.5	34,200 *																85
90	60.4	257.1	29,700 *	64.3	261.2	32,700 *	66.5	262.8	34,200 *													90
95	58.4	254.2	28,400 *	62.3	258.6	31,300 *	64.6	260.5	32,800 *													95
100	56.2	250.9	27,100 *	60.3	255.9	29,900 *	62.6	258.0	31,400 *													100
105	54.1	247.5	25,800 *	58.2	252.9	28,500 *	60.5	255.3	30,100 *													105
110	51.8	243.7	24,600 *	56.0	249.7	27,200 *	58.5	252.4	28,700 *	62.3	255.4	30,900 *										110
115	49.5	239.6	23,500 *	53.9	246.2	26,000 *	56.3	249.2	27,500 *	60.3	252.7	29,600 *										115
120	47.1	235.1	22,400 *	51.6	242.4	24,800 *	54.2	245.7	26,200 *	58.2	249.7	28,400 *										120
125	44.6	230.3	21,300 *	49.3	238.3	23,600 *	51.9	242.0	25,000 *	56.0	246.5	27,200 *										125
130	42.0	225.0	20,300 *	46.9	233.8	22,500 *	49.6	237.9	23,900 *	53.9	243.0	26,000 *	57.8	246.1	27,800 *							130
135	39.2	219.1	19,400 *	44.4	228.9	21,500 *	47.2	233.4	22,700 *	51.6	239.2	24,900 *	55.7	242.8	26,700 *							135
140	36.3	212.7	18,500 *	41.8	223.5	20,500 *	44.7	228.6	21,700 *	49.3	235.0	23,700 *	53.5	239.2	25,600 *							140
145	33.2	205.5	17,700 *	39.0	217.6	19,500 *	42.1	223.3	20,700 *	46.9	230.5	22,700 *	51.2	235.4	24,500 *							145
150	29.7	197.3	16,900 *	36.0	211.1	18,600 *	39.4	217.5	19,700 *	44.4	225.6	21,600 *	48.9	231.2	23,500 *	52.9	234.5	22,900				150
155	25.9	187.8	16,100 *	32.9	203.8	17,800 *	36.5	211.1	18,800 *	41.8	220.3	20,600 *	46.4	226.6	22,400 *	50.6	230.5	21,900				155
160	21.5	176.4	15,400 *	29.4	195.6	17,000 *	33.3	203.9	18,000 *	39.0	214.4	19,700 *	43.9	221.6	21,400 *	48.3	226.2	21,000				160
170	6.7	136.5	14,400 *	21.0	174.3	15,500 *	26.1	186.4	16,400 *	32.9	200.6	17,900 *	38.5	210.2	19,600 *	43.3	216.5	19,200	47.5	220.2	17,700	170
180				5.1	131.3	14,400 *	16.2	160.5	15,000 *	25.5	182.7	16,400 *	32.3	196.1	17,800 *	37.8	204.8	17,700	42.5	210.2	16,300	180
190										15.3	155.9	15,100 *	24.8	177.7	16,300 *	31.5	190.3	16,300	36.8	198.1	15,000	190
200													14.0	149.3	15,000 *	23.7	171.2	15,100	30.4	183.1	13,800	200
210																12.1	140.2	13,900	22.3	162.9	12,800	210
220																			9.0	127.1	11,800	220



Liftcrane Luffing Jib Capacities

888 SERIES 2

Luffing Jib No. 135 On Boom No. 22EL
 179,100 Lb. Crane Counterweight
 44,000 Lb. Carbody Counterweight
 28 Ft. 2 in. Crawlers Extended
 360 Degree Rating

Designed And Tested
 With The Intent To Be In
 The Scope of ANSI B30.5

110 Ft. Boom, 170 Ft. Jib

Jib Oper. Rad. Feet	88 Degree Boom Angle			83 Degree Boom Angle			80 Degree Boom Angle			75 Degree Boom Angle			70 Degree Boom Angle			65 Degree Boom Angle			60 Degree Boom Angle			Jib Oper. Rad. Feet
	Jib Ang. Deg.	Jib Point Elev. Feet	Luffing Jib Capacity Pounds	Jib Ang. Deg.	Jib Point Elev. Feet	Luffing Jib Capacity Pounds	Jib Ang. Deg.	Jib Point Elev. Feet	Luffing Jib Capacity Pounds	Jib Ang. Deg.	Jib Point Elev. Feet	Luffing Jib Capacity Pounds	Jib Ang. Deg.	Jib Point Elev. Feet	Luffing Jib Capacity Pounds	Jib Ang. Deg.	Jib Point Elev. Feet	Luffing Jib Capacity Pounds	Jib Ang. Deg.	Jib Point Elev. Feet	Luffing Jib Capacity Pounds	
55	75.0	282.2	37,500 *																			55
60	73.3	280.7	36,000 *																			60
65	71.5	279.1	34,400 *																			65
70	69.7	277.4	32,900 *																			70
75	67.9	275.5	31,400 *																			75
80	66.1	273.3	30,000 *	69.6	276.3	32,800 *																80
85	64.2	271.0	28,600 *	67.8	274.3	31,400 *																85
90	62.3	268.5	27,300 *	65.9	272.2	30,000 *	68.0	273.6	31,400 *													90
95	60.4	265.8	26,000 *	64.1	269.8	28,700 *	66.2	271.5	30,100 *													95
100	58.5	262.8	24,700 *	62.2	267.3	27,400 *	64.3	269.2	28,800 *													100
105	56.5	259.6	23,500 *	60.2	264.6	26,100 *	62.4	266.7	27,500 *													105
110	54.4	256.2	22,400 *	58.3	261.6	24,800 *	60.5	264.0	26,200 *													110
115	52.3	252.5	21,300 *	56.3	258.4	23,600 *	58.6	261.0	25,000 *	62.2	264.1	27,000 *										115
120	50.2	248.5	20,200 *	54.2	254.9	22,500 *	56.6	257.9	23,800 *	60.3	261.3	25,900 *										120
125	47.9	244.1	19,200 *	52.1	251.2	21,400 *	54.5	254.4	22,700 *	58.3	258.4	24,700 *										125
130	45.6	239.4	18,200 *	50.0	247.1	20,300 *	52.4	250.7	21,600 *	56.3	255.1	23,600 *										130
135	43.2	234.3	17,300 *	47.7	242.8	19,300 *	50.3	246.7	20,500 *	54.2	251.7	22,500 *	57.9	254.7	24,200 *							135
140	40.7	228.7	16,500 *	45.4	238.0	18,300 *	48.0	242.4	19,500 *	52.1	247.9	21,400 *	55.9	251.5	23,200 *							140
145	38.0	222.6	15,600 *	43.0	232.9	17,400 *	45.7	237.7	18,500 *	50.0	243.9	20,400 *	53.9	248.0	22,100 *							145
150	35.2	215.9	14,800 *	40.5	227.3	16,500 *	43.3	232.6	17,600 *	47.7	239.5	19,400 *	51.7	244.2	21,100 *							150
155	32.2	208.4	14,100 *	37.8	221.1	15,700 *	40.8	227.1	16,700 *	45.4	234.8	18,500 *	49.6	240.1	20,200 *							155
160	28.8	199.9	13,400 *	34.9	214.3	14,900 *	38.2	221.0	15,900 *	43.0	229.7	17,500 *	47.3	235.6	19,200 *	51.2	239.3	20,600 *				160
170	20.8	178.3	11,800 *	28.5	198.2	13,400 *	32.3	206.9	14,300 *	37.8	217.9	15,800 *	42.5	225.6	17,400 *	46.8	230.6	18,900 *				170
180	6.5	137.1	10,300 *	20.4	176.2	11,800 *	25.3	188.7	12,800 *	31.9	203.5	14,300 *	37.3	213.6	15,700 *	41.9	220.4	17,100 *	46.0	224.5	16,000	180
190				5.0	131.7	10,300 *	15.7	161.9	11,100 *	24.8	185.0	12,700 *	31.3	199.0	14,200 *	36.6	208.2	15,500 *	41.1	214.0	14,700	190
200										14.8	157.2	11,100 *	24.0	179.9	12,600 *	30.5	193.1	14,000 *	35.7	201.4	13,600	200
210													13.6	150.5	11,000 *	23.0	173.3	12,400 *	29.4	185.8	12,500	210
220																11.7	141.3	10,800 *	21.6	164.8	11,600	220
230																			8.7	127.9	10,600	230

S/N: 8885093



Liftcrane Luffing Jib Capacities

888 SERIES 2

Luffing Jib No. 135 On Boom No. 22EL
 179,100 Lb. Crane Counterweight
 44,000 Lb. Carbody Counterweight
 28 Ft. 2 in. Crawlers Extended
 360 Degree Rating

Designed And Tested
 With The Intent To Be In
 The Scope of ANSI B30.5

120 Ft. Boom, 70 Ft. Jib

Jib Oper. Rad. Feet	88 Degree Boom Angle			83 Degree Boom Angle			80 Degree Boom Angle			75 Degree Boom Angle			70 Degree Boom Angle			65 Degree Boom Angle			60 Degree Boom Angle			Jib Oper. Rad. Feet
	Jib Ang. Deg.	Jib Point Elev. Feet	Luffing Jib Capacity Pounds	Jib Ang. Deg.	Jib Point Elev. Feet	Luffing Jib Capacity Pounds	Jib Ang. Deg.	Jib Point Elev. Feet	Luffing Jib Capacity Pounds	Jib Ang. Deg.	Jib Point Elev. Feet	Luffing Jib Capacity Pounds	Jib Ang. Deg.	Jib Point Elev. Feet	Luffing Jib Capacity Pounds	Jib Ang. Deg.	Jib Point Elev. Feet	Luffing Jib Capacity Pounds	Jib Ang. Deg.	Jib Point Elev. Feet	Luffing Jib Capacity Pounds	
45	61.3	189.3	97,700 *b																			45
50	56.6	186.3	94,100 *b																			50
55	51.5	182.7	90,400 *b	61.7	188.6	100,500 *b																55
60	46.1	178.3	87,100 *	57.0	185.6	96,000 b	62.8	188.1	92,900 b													60
65	40.1	173.0	79,900 *	52.0	182.0	86,800 b	58.1	185.3	84,000 b													65
70	33.2	166.3	72,500 *	46.5	177.7	79,200	53.2	181.9	76,600 b	63.0	185.8	72,300 b										70
75	24.8	157.2	66,400 *	40.6	172.5	72,700	47.9	177.8	70,300	58.3	183.0	66,300 b										75
80	11.6	142.0	51,400 *	33.8	165.9	67,100	42.1	172.8	64,900	53.4	179.6	61,300 b										80
85				25.6	157.1	62,200	35.6	166.6	60,200	48.1	175.5	56,800										85
90				13.2	142.9	56,600 *	27.8	158.5	56,100	42.3	170.5	53,000	53.3	176.2	49,800 b							90
95							17.0	146.3	52,400	35.8	164.4	49,500	48.0	172.1	46,600							95
100										28.1	156.3	46,400	42.2	167.1	43,700	52.9	171.7	41,000				100
105										17.5	144.4	43,600	35.7	160.9	41,100	47.5	167.5	38,600				105
110													27.9	152.9	38,800	41.7	162.5	36,400				110
115													17.3	140.8	36,600	35.1	156.2	34,400	46.7	161.8	32,200	115
120																27.2	147.9	32,500	40.7	156.5	30,500	120
125																16.1	135.3	30,800	34.0	150.0	28,900	125
130																			25.7	141.3	27,400	130
135																			13.6	127.3	26,000	135



Liftcrane Luffing Jib Capacities

888 SERIES 2

Luffing Jib No. 135 On Boom No. 22EL
 179,100 Lb. Crane Counterweight
 44,000 Lb. Carbody Counterweight
 28 Ft. 2 in. Crawlers Extended
 360 Degree Rating

Designed And Tested
 With The Intent To Be In
 The Scope of ANSI B30.5

120 Ft. Boom, 80 Ft. Jib

Jib Oper. Rad. Feet	88 Degree Boom Angle			83 Degree Boom Angle			80 Degree Boom Angle			75 Degree Boom Angle			70 Degree Boom Angle			65 Degree Boom Angle			60 Degree Boom Angle			Jib Oper. Rad. Feet
	Jib Ang. Deg.	Jib Point Elev. Feet	Luffing Jib Capacity Pounds	Jib Ang. Deg.	Jib Point Elev. Feet	Luffing Jib Capacity Pounds	Jib Ang. Deg.	Jib Point Elev. Feet	Luffing Jib Capacity Pounds	Jib Ang. Deg.	Jib Point Elev. Feet	Luffing Jib Capacity Pounds	Jib Ang. Deg.	Jib Point Elev. Feet	Luffing Jib Capacity Pounds	Jib Ang. Deg.	Jib Point Elev. Feet	Luffing Jib Capacity Pounds	Jib Ang. Deg.	Jib Point Elev. Feet	Luffing Jib Capacity Pounds	
45	65.2	200.5	88,200 *b																			45
50	61.2	198.0	84,300 *b																			50
55	57.0	195.0	80,500 *b	65.5	199.7	89,800 *b																55
60	52.6	191.5	77,200 *	61.5	197.2	85,900 *b	66.5	199.2	91,000 *b													60
65	48.0	187.3	74,200 *	57.4	194.3	82,100 *b	62.5	196.8	83,700 b													65
70	42.9	182.4	71,500 *	53.0	190.8	78,800 *	58.4	194.0	76,300 b													70
75	37.4	176.5	66,900 *	48.4	186.7	72,500	54.1	190.6	70,000	62.6	194.4	66,000 b										75
80	31.0	169.1	61,400 *	43.4	181.9	66,900	49.5	186.7	64,600	58.5	191.6	60,900 b										80
85	23.1	159.4	56,600 *	37.9	176.0	62,100	44.6	182.0	60,000	54.2	188.3	56,500										85
90	10.9	143.0	44,800 *	31.6	168.8	57,800	39.3	176.5	55,900	49.7	184.4	52,600										90
95				23.9	159.3	54,100	33.2	169.7	52,300	44.8	179.8	49,200	54.2	184.9	46,200							95
100				12.4	144.0	49,200 *	25.9	160.8	49,000	39.5	174.2	46,200	49.6	181.0	43,400							100
105							15.9	147.7	46,100	33.4	167.5	43,400	44.7	176.4	40,800							105
110										26.2	158.7	41,000	39.4	170.8	38,500	49.2	176.5	36,000				110
115										16.3	145.9	38,700	33.3	164.0	36,400	44.3	171.8	34,000				115
120													26.1	155.3	34,400	38.9	166.1	32,200				120
125													16.1	142.3	32,600	32.8	159.2	30,600	43.5	165.9	28,500	125
130																25.4	150.2	29,000	38.0	160.1	27,100	130
135																15.1	136.7	27,600	31.7	152.9	25,800	135
140																			24.1	143.5	24,500	140
145																			12.7	128.4	23,300	145



Liftcrane Luffing Jib Capacities

888 SERIES 2

Luffing Jib No. 135 On Boom No. 22EL
 179,100 Lb. Crane Counterweight
 44,000 Lb. Carbody Counterweight
 28 Ft. 2 in. Crawlers Extended
 360 Degree Rating

Designed And Tested
 With The Intent To Be In
 The Scope of ANSI B30.5

120 Ft. Boom, 90 Ft. Jib

Jib Oper. Rad. Feet	88 Degree Boom Angle			83 Degree Boom Angle			80 Degree Boom Angle			75 Degree Boom Angle			70 Degree Boom Angle			65 Degree Boom Angle			60 Degree Boom Angle			Jib Oper. Rad. Feet
	Jib Ang. Deg.	Jib Point Elev. Feet	Luffing Jib Capacity Pounds	Jib Ang. Deg.	Jib Point Elev. Feet	Luffing Jib Capacity Pounds	Jib Ang. Deg.	Jib Point Elev. Feet	Luffing Jib Capacity Pounds	Jib Ang. Deg.	Jib Point Elev. Feet	Luffing Jib Capacity Pounds	Jib Ang. Deg.	Jib Point Elev. Feet	Luffing Jib Capacity Pounds	Jib Ang. Deg.	Jib Point Elev. Feet	Luffing Jib Capacity Pounds	Jib Ang. Deg.	Jib Point Elev. Feet	Luffing Jib Capacity Pounds	
45	68.1	211.4	80,000 *b																			45
50	64.6	209.2	76,600 *b																			50
55	61.1	206.7	73,400 *	68.4	210.6	81,400 *b																55
60	57.3	203.7	70,300 *	64.9	208.4	78,000 *b																60
65	53.5	200.2	67,600 *	61.4	205.9	75,000 *	65.8	207.9	79,000 *b													65
70	49.4	196.3	65,100 *	57.7	202.9	72,000 *	62.2	205.5	76,000 b													70
75	45.1	191.6	62,800 *	53.8	199.5	69,300 *	58.6	202.6	69,800													75
80	40.4	186.2	60,600 *	49.8	195.6	66,700	54.7	199.4	64,400	62.3	203.1	60,600										80
85	35.2	179.8	56,600 *	45.4	191.0	61,900	50.7	195.5	59,800	58.7	200.3	56,300										85
90	29.2	171.8	52,400 *	40.8	185.7	57,700	46.5	191.1	55,700	54.9	197.0	52,400										90
95	21.8	161.3	48,800 *	35.6	179.3	54,000	41.9	186.0	52,100	50.9	193.2	49,000										95
100	10.3	143.9	39,900 *	29.7	171.6	50,700	36.9	179.9	48,900	46.7	188.9	46,000	54.8	193.6	43,100							100
105				22.5	161.4	47,700	31.2	172.5	46,000	42.1	183.7	43,300	50.8	189.8	40,600							105
110				11.7	145.1	44,000 *	24.4	163.1	43,400	37.1	177.7	40,800	46.6	185.4	38,300							110
115							15.0	149.1	41,000	31.5	170.4	38,600	42.0	180.3	36,200	50.5	185.3	33,800				115
120										24.7	161.0	36,600	37.0	174.3	34,300	46.2	180.9	32,000				120
125										15.4	147.3	34,700	31.4	166.9	32,500	41.7	175.7	30,400				125
130													24.6	157.5	30,900	36.6	169.5	28,800	45.5	175.1	26,800	130
135													15.2	143.7	29,400	30.9	162.1	27,500	40.9	169.8	25,500	135
140																24.0	152.4	26,100	35.7	163.4	24,300	140
145																14.2	138.0	24,900	29.9	155.7	23,200	145
150																			22.7	145.5	22,100	150
155																			11.9	129.5	21,100	155



Liftcrane Luffing Jib Capacities

888 SERIES 2

Luffing Jib No. 135 On Boom No. 22EL
 179,100 Lb. Crane Counterweight
 44,000 Lb. Carbody Counterweight
 28 Ft. 2 in. Crawlers Extended
 360 Degree Rating

Designed And Tested
 With The Intent To Be In
 The Scope of ANSI B30.5

120 Ft. Boom, 100 Ft. Jib

Jib Oper. Rad. Feet	88 Degree Boom Angle			83 Degree Boom Angle			80 Degree Boom Angle			75 Degree Boom Angle			70 Degree Boom Angle			65 Degree Boom Angle			60 Degree Boom Angle			Jib Oper. Rad. Feet
	Jib Ang. Deg.	Jib Point Elev. Feet	Luffing Jib Capacity Pounds	Jib Ang. Deg.	Jib Point Elev. Feet	Luffing Jib Capacity Pounds	Jib Ang. Deg.	Jib Point Elev. Feet	Luffing Jib Capacity Pounds	Jib Ang. Deg.	Jib Point Elev. Feet	Luffing Jib Capacity Pounds	Jib Ang. Deg.	Jib Point Elev. Feet	Luffing Jib Capacity Pounds	Jib Ang. Deg.	Jib Point Elev. Feet	Luffing Jib Capacity Pounds	Jib Ang. Deg.	Jib Point Elev. Feet	Luffing Jib Capacity Pounds	
45	70.4	222.1	74,800 *b																			45
50	67.3	220.2	71,400 *b																			50
55	64.2	217.9	68,300 *	70.6	221.2	75,800 *b																55
60	60.9	215.3	65,400 *	67.6	219.3	72,600 *b																60
65	57.6	212.4	62,700 *	64.4	217.1	69,600 *																65
70	54.2	209.0	60,100 *	61.2	214.5	66,700 *	65.2	216.6	70,400 *													70
75	50.5	205.1	57,700 *	57.9	211.6	64,000 *	62.0	214.2	67,600 *													75
80	46.7	200.7	55,500 *	54.4	208.3	61,500 *	58.7	211.3	64,100													80
85	42.6	195.7	53,500 *	50.8	204.4	59,100 *	55.3	208.1	59,500	62.1	211.8	55,900										85
90	38.2	189.8	51,600 *	47.0	200.1	56,800 *	51.7	204.4	55,400	58.8	209.0	52,000										90
95	33.3	182.8	48,500 *	43.0	195.1	53,700	48.0	200.1	51,800	55.4	205.7	48,700										95
100	27.7	174.4	45,300 *	38.6	189.3	50,400	44.0	195.3	48,600	51.9	202.0	45,600										100
105	20.7	163.2	42,400 *	33.8	182.5	47,500	39.7	189.7	45,800	48.1	197.8	42,900	55.4	202.3	40,200							105
110	9.7	144.8	35,700 *	28.2	174.1	44,800	35.0	183.2	43,200	44.1	193.0	40,500	51.8	198.6	37,900							110
115				21.3	163.3	42,300	29.6	175.3	40,800	39.9	187.5	38,300	48.1	194.4	35,800							115
120				11.1	146.1	39,400 *	23.2	165.2	38,700	35.1	181.0	36,300	44.1	189.6	33,900	51.5	194.1	31,600				120
125							14.2	150.4	36,700	29.8	173.1	34,400	39.8	184.1	32,200	47.7	189.9	30,000				125
130										23.4	163.1	32,700	35.1	177.5	30,600	43.7	185.0	28,500				130
135										14.6	148.6	31,100	29.7	169.6	29,100	39.4	179.4	27,100	47.1	184.1	25,100	135
140													23.3	159.6	27,700	34.7	172.8	25,800	43.1	179.2	23,900	140
145													14.4	145.0	26,400	29.3	164.7	24,600	38.7	173.4	22,800	145
150																22.7	154.5	23,500	33.8	166.6	21,800	150
155																13.5	139.2	22,400	28.3	158.3	20,800	155
160																21.5	147.5	19,900	21.5	147.5	19,900	160



Liftcrane Luffing Jib Capacities

888 SERIES 2

Luffing Jib No. 135 On Boom No. 22EL
 179,100 Lb. Crane Counterweight
 44,000 Lb. Carbody Counterweight
 28 Ft. 2 in. Crawlers Extended
 360 Degree Rating

Designed And Tested
 With The Intent To Be In
 The Scope of ANSI B30.5

120 Ft. Boom, 110 Ft. Jib

Jib Oper. Rad. Feet	88 Degree Boom Angle			83 Degree Boom Angle			80 Degree Boom Angle			75 Degree Boom Angle			70 Degree Boom Angle			65 Degree Boom Angle			60 Degree Boom Angle			Jib Oper. Rad. Feet
	Jib Ang. Deg.	Jib Point Elev. Feet	Luffing Jib Capacity Pounds	Jib Ang. Deg.	Jib Point Elev. Feet	Luffing Jib Capacity Pounds	Jib Ang. Deg.	Jib Point Elev. Feet	Luffing Jib Capacity Pounds	Jib Ang. Deg.	Jib Point Elev. Feet	Luffing Jib Capacity Pounds	Jib Ang. Deg.	Jib Point Elev. Feet	Luffing Jib Capacity Pounds	Jib Ang. Deg.	Jib Point Elev. Feet	Luffing Jib Capacity Pounds	Jib Ang. Deg.	Jib Point Elev. Feet	Luffing Jib Capacity Pounds	
45	72.2	232.7	70,300 *b																			45
50	69.5	230.9	67,600 *b																			50
55	66.7	228.9	65,100 *																			55
60	63.8	226.6	62,600 *	69.7	230.1	68,500 *b																60
65	60.9	224.0	60,300 *	66.9	228.1	66,200 *																65
70	57.8	221.0	57,900 *	64.0	225.8	63,800 *	67.6	227.5	66,500 *													70
75	54.7	217.7	55,600 *	61.1	223.2	61,300 *	64.7	225.3	64,400 *													75
80	51.4	213.9	53,500 *	58.1	220.3	59,000 *	61.8	222.8	62,100 *													80
85	48.0	209.7	51,600 *	55.0	217.0	56,800 *	58.8	220.0	59,400 *													85
90	44.4	204.9	49,800 *	51.7	213.3	54,600 *	55.7	216.8	55,400 *	61.9	220.5	52,000 *										90
95	40.6	199.5	48,100 *	48.3	209.1	52,700 *	52.5	213.1	51,800 *	58.9	217.6	48,600 *										95
100	36.4	193.2	45,900 *	44.7	204.3	50,400 *	49.2	209.1	48,600 *	55.8	214.4	45,600 *										100
105	31.7	185.8	42,900 *	40.9	198.9	47,500 *	45.6	204.5	45,700 *	52.6	210.8	42,900 *										105
110	26.4	176.8	40,100 *	36.7	192.7	44,800 *	41.8	199.2	43,200 *	49.3	206.8	40,500 *	55.8	211.0	37,800 *							110
115	19.7	165.0	37,500 *	32.1	185.4	42,400 *	37.8	193.2	40,800 *	45.7	202.2	38,300 *	52.6	207.4	35,800 *							115
120	9.3	145.6	30,800 *	26.8	176.6	40,200 *	33.3	186.2	38,700 *	42.0	197.0	36,300 *	49.2	203.4	33,900 *							120
125				20.3	165.1	37,800 *	28.2	177.8	36,800 *	37.9	191.0	34,400 *	45.7	198.8	32,200 *	52.3	202.9	29,900 *				125
130				10.5	147.0	34,300 *	22.1	167.2	35,000 *	33.5	184.0	32,800 *	41.9	193.6	30,600 *	48.9	198.8	28,400 *				130
135							13.5	151.6	33,300 *	28.4	175.7	31,200 *	37.9	187.6	29,100 *	45.4	194.2	27,100 *				135
140										22.3	165.1	29,700 *	33.4	180.6	27,800 *	41.6	188.9	25,800 *				140
145										13.9	149.9	28,400 *	28.3	172.2	26,500 *	37.5	182.9	24,600 *	44.8	188.4	22,800 *	145
150													22.2	161.6	25,300 *	33.0	175.8	23,500 *	41.0	183.0	21,800 *	150
155													13.8	146.2	24,200 *	27.9	167.3	22,500 *	36.8	176.8	20,800 *	155
160																21.6	156.4	21,500 *	32.2	169.5	19,900 *	160
170																			20.5	149.3	18,300 *	170



Liftcrane Luffing Jib Capacities

888 SERIES 2

Luffing Jib No. 135 On Boom No. 22EL
 179,100 Lb. Crane Counterweight
 44,000 Lb. Carbody Counterweight
 28 Ft. 2 in. Crawlers Extended
 360 Degree Rating

Designed And Tested
 With The Intent To Be In
 The Scope of ANSI B30.5

120 Ft. Boom, 120 Ft. Jib

Jib Oper. Rad. Feet	88 Degree Boom Angle			83 Degree Boom Angle			80 Degree Boom Angle			75 Degree Boom Angle			70 Degree Boom Angle			65 Degree Boom Angle			60 Degree Boom Angle			Jib Oper. Rad. Feet
	Jib Ang. Deg.	Jib Point Elev. Feet	Luffing Jib Capacity Pounds	Jib Ang. Deg.	Jib Point Elev. Feet	Luffing Jib Capacity Pounds	Jib Ang. Deg.	Jib Point Elev. Feet	Luffing Jib Capacity Pounds	Jib Ang. Deg.	Jib Point Elev. Feet	Luffing Jib Capacity Pounds	Jib Ang. Deg.	Jib Point Elev. Feet	Luffing Jib Capacity Pounds	Jib Ang. Deg.	Jib Point Elev. Feet	Luffing Jib Capacity Pounds	Jib Ang. Deg.	Jib Point Elev. Feet	Luffing Jib Capacity Pounds	
45	73.8	243.1	57,900 *b																			45
50	71.3	241.6	56,700 *b																			50
55	68.7	239.7	55,500 *																			55
60	66.1	237.7	53,400 *																			60
65	63.5	235.3	51,300 *	68.9	238.9	56,200 *																65
70	60.8	232.7	49,300 *	66.3	236.8	54,100 *																70
75	58.0	229.7	47,300 *	63.7	234.5	52,000 *	67.0	236.3	54,400 *													75
80	55.2	226.4	45,500 *	61.0	231.9	50,000 *	64.3	234.0	52,500 *													80
85	52.2	222.7	43,700 *	58.3	228.9	48,000 *	61.7	231.5	50,500 *													85
90	49.1	218.6	42,100 *	55.4	225.7	46,200 *	58.9	228.6	48,600 *													90
95	45.9	214.0	40,500 *	52.4	222.0	44,400 *	56.1	225.4	46,800 *	61.8	229.1	48,200										95
100	42.4	208.9	39,100 *	49.4	218.0	42,800 *	53.2	221.9	45,000 *	59.0	226.3	45,200										100
105	38.8	203.1	37,800 *	46.1	213.4	41,200 *	50.1	217.9	43,400 *	56.2	223.1	42,500										105
110	34.8	196.4	36,500 *	42.7	208.3	39,800 *	46.9	213.5	41,800 *	53.3	219.6	40,100										110
115	30.3	188.5	35,400 *	39.1	202.6	38,400 *	43.6	208.6	40,300 *	50.2	215.6	37,900	56.1	219.7	35,400							115
120	25.2	179.0	34,400 *	35.1	196.0	37,100 *	40.0	203.0	38,400	47.0	211.2	35,900	53.2	216.2	33,500							120
125	18.9	166.7	33,400 *	30.7	188.2	36,000 *	36.1	196.6	36,500	43.7	206.3	34,100	50.2	212.2	31,800							125
130	8.9	146.4	27,600 *	25.7	178.9	35,000 *	31.8	189.2	34,700	40.1	200.7	32,400	47.0	207.8	30,200	53.0	211.7	28,000				130
135				19.5	166.9	33,700 *	27.0	180.3	33,100	36.3	194.4	30,900	43.6	202.9	28,800	49.9	207.7	26,700				135
140				10.1	147.9	30,800 *	21.1	169.1	31,500	32.0	187.0	29,500	40.1	197.3	27,400	46.7	203.3	25,400				140
145							13.0	152.8	30,100	27.2	178.2	28,100	36.2	190.9	26,200	43.4	198.3	24,300				145
150										21.3	167.1	26,900	31.9	183.5	25,000	39.8	192.6	23,200	46.2	197.5	21,400	150
155										13.3	151.1	25,700	27.1	174.7	23,900	35.9	186.2	22,200	42.8	192.4	20,400	155
160													21.2	163.5	22,900	31.6	178.7	21,200	39.2	186.6	19,600	160
170																20.7	158.3	19,400	30.8	172.4	17,900	170
180																19.6	151.1	16,500	19.6	151.1	16,500	180



Liftcrane Luffing Jib Capacities

888 SERIES 2

Luffing Jib No. 135 On Boom No. 22EL
 179,100 Lb. Crane Counterweight
 44,000 Lb. Carbody Counterweight
 28 Ft. 2 in. Crawlers Extended
 360 Degree Rating

Designed And Tested
 With The Intent To Be In
 The Scope of ANSI B30.5

120 Ft. Boom, 130 Ft. Jib

Jib Oper. Rad. Feet	88 Degree Boom Angle			83 Degree Boom Angle			80 Degree Boom Angle			75 Degree Boom Angle			70 Degree Boom Angle			65 Degree Boom Angle			60 Degree Boom Angle			Jib Oper. Rad. Feet
	Jib Ang. Deg.	Jib Point Elev. Feet	Luffing Jib Capacity Pounds	Jib Ang. Deg.	Jib Point Elev. Feet	Luffing Jib Capacity Pounds	Jib Ang. Deg.	Jib Point Elev. Feet	Luffing Jib Capacity Pounds	Jib Ang. Deg.	Jib Point Elev. Feet	Luffing Jib Capacity Pounds	Jib Ang. Deg.	Jib Point Elev. Feet	Luffing Jib Capacity Pounds	Jib Ang. Deg.	Jib Point Elev. Feet	Luffing Jib Capacity Pounds	Jib Ang. Deg.	Jib Point Elev. Feet	Luffing Jib Capacity Pounds	
45	75.0	253.5	54,200 *b																			45
50	72.7	252.1	53,100 *																			50
55	70.4	250.4	51,400 *																			55
60	68.1	248.5	49,400 *																			60
65	65.7	246.4	47,500 *	70.6	249.5	51,800 *																65
70	63.2	244.0	45,700 *	68.3	247.7	50,000 *																70
75	60.7	241.3	43,900 *	65.9	245.5	48,100 *																75
80	58.2	238.4	42,200 *	63.4	243.2	46,300 *	66.4	245.0	48,400 *													80
85	55.5	235.1	40,600 *	60.9	240.5	44,600 *	64.0	242.7	46,700 *													85
90	52.8	231.5	39,100 *	58.4	237.6	42,900 *	61.5	240.1	45,000 *													90
95	50.0	227.5	37,600 *	55.8	234.4	41,300 *	59.0	237.3	43,400 *													95
100	47.1	223.1	36,200 *	53.1	230.8	39,700 *	56.4	234.1	41,800 *	61.6	237.8	44,600 *										100
105	44.0	218.2	34,900 *	50.2	226.8	38,200 *	53.7	230.6	40,200 *	59.1	234.9	42,300										105
110	40.7	212.7	33,600 *	47.3	222.5	36,800 *	50.9	226.8	38,700 *	56.5	231.8	39,900										110
115	37.2	206.5	32,500 *	44.2	217.6	35,500 *	48.0	222.5	37,300 *	53.8	228.3	37,700										115
120	33.4	199.4	31,400 *	41.0	212.2	34,200 *	45.0	217.8	36,000 *	51.0	224.5	35,700	56.5	228.4	33,200							120
125	29.1	191.2	30,400 *	37.5	206.0	33,000 *	41.8	212.5	34,700 *	48.1	220.2	33,900	53.8	224.9	31,500							125
130	24.2	181.2	29,500 *	33.7	199.0	31,900 *	38.4	206.5	33,500 *	45.1	215.5	32,200	51.0	221.1	30,000							130
135	18.1	168.3	28,700 *	29.5	190.9	30,900 *	34.6	199.8	32,300 *	41.9	210.2	30,700	48.1	216.8	28,500							135
140	8.5	147.2	24,600 *	24.7	181.1	29,900 *	30.6	191.9	31,300 *	38.5	204.3	29,300	45.1	212.1	27,200	50.8	216.6	25,200				140
145				18.7	168.6	29,100 *	25.9	182.6	29,900	34.8	197.6	27,900	41.8	206.8	25,900	47.8	212.2	24,000				145
150				9.7	148.8	27,600 *	20.3	170.9	28,600	30.7	189.8	26,700	38.4	200.9	24,800	44.8	207.5	22,900				150
155							12.4	153.9	27,400	26.1	180.5	25,500	34.7	194.1	23,700	41.6	202.1	21,900	47.4	206.5	20,200	155
160										20.5	168.9	24,500	30.6	186.3	22,700	38.1	196.2	21,000	44.3	201.6	19,300	160
170													20.4	165.4	20,800	30.3	181.5	19,200	37.6	190.1	17,700	170
180																19.9	160.1	17,700	29.6	175.0	16,300	180
190																18.8	152.8	14,900	18.8	152.8	14,900	190



Liftcrane Luffing Jib Capacities

888 SERIES 2

Luffing Jib No. 135 On Boom No. 22EL
 179,100 Lb. Crane Counterweight
 44,000 Lb. Carbody Counterweight
 28 Ft. 2 in. Crawlers Extended
 360 Degree Rating

Designed And Tested
 With The Intent To Be In
 The Scope of ANSI B30.5

120 Ft. Boom, 140 Ft. Jib

Jib Oper. Rad. Feet	88 Degree Boom Angle			83 Degree Boom Angle			80 Degree Boom Angle			75 Degree Boom Angle			70 Degree Boom Angle			65 Degree Boom Angle			60 Degree Boom Angle			Jib Oper. Rad. Feet
	Jib Ang. Deg.	Jib Point Elev. Feet	Luffing Jib Capacity Pounds	Jib Ang. Deg.	Jib Point Elev. Feet	Luffing Jib Capacity Pounds	Jib Ang. Deg.	Jib Point Elev. Feet	Luffing Jib Capacity Pounds	Jib Ang. Deg.	Jib Point Elev. Feet	Luffing Jib Capacity Pounds	Jib Ang. Deg.	Jib Point Elev. Feet	Luffing Jib Capacity Pounds	Jib Ang. Deg.	Jib Point Elev. Feet	Luffing Jib Capacity Pounds	Jib Ang. Deg.	Jib Point Elev. Feet	Luffing Jib Capacity Pounds	
50	74.0	262.5	49,300 *																			50
55	71.9	261.0	47,500 *																			55
60	69.7	259.2	45,600 *																			60
65	67.5	257.3	43,800 *																			65
70	65.3	255.1	42,100 *	69.9	258.4	46,000 *																70
75	63.0	252.7	40,400 *	67.7	256.4	44,200 *																75
80	60.7	250.0	38,700 *	65.5	254.3	42,600 *																80
85	58.3	247.0	37,200 *	63.2	251.9	40,900 *	66.0	253.8	42,800 *													85
90	55.9	243.8	35,700 *	60.9	249.2	39,300 *	63.7	251.4	41,300 *													90
95	53.4	240.2	34,300 *	58.5	246.3	37,700 *	61.4	248.8	39,700 *													95
100	50.8	236.3	32,900 *	56.1	243.1	36,300 *	59.1	246.0	38,200 *													100
105	48.1	232.1	31,600 *	53.6	239.5	34,800 *	56.7	242.8	36,700 *	61.5	246.5	39,300 *										105
110	45.2	227.3	30,300 *	51.0	235.7	33,400 *	54.2	239.4	35,300 *	59.2	243.6	38,000 *										110
115	42.3	222.1	29,100 *	48.3	231.4	32,100 *	51.6	235.6	33,900 *	56.7	240.5	36,600 *										115
120	39.2	216.3	28,000 *	45.5	226.7	30,800 *	48.9	231.4	32,500 *	54.3	237.0	35,200 *										120
125	35.8	209.8	27,000 *	42.5	221.6	29,600 *	46.2	226.9	31,200 *	51.7	233.3	33,500	56.7	237.1	31,100							125
130	32.1	202.4	25,900 *	39.4	215.8	28,500 *	43.3	221.8	30,000 *	49.0	229.1	31,900	54.2	233.6	29,600							130
135	28.0	193.7	25,000 *	36.1	209.4	27,400 *	40.2	216.2	28,900 *	46.3	224.6	30,300	51.7	229.9	28,100							135
140	23.3	183.3	24,200 *	32.4	202.0	26,400 *	36.9	209.9	27,800 *	43.4	219.5	28,900	49.0	225.7	26,800							140
145	17.4	169.9	23,500 *	28.4	193.5	25,400 *	33.3	202.8	26,800 *	40.3	214.0	27,600	46.2	221.2	25,600	51.5	225.4	23,600				145
150	8.2	147.9	22,000 *	23.8	183.3	24,600 *	29.4	194.6	25,800 *	37.0	207.7	26,400	43.3	216.1	24,400	48.8	221.2	22,500				150
155				18.0	170.2	23,800 *	24.9	184.9	24,900 *	33.5	200.6	25,200	40.3	210.5	23,400	46.0	216.6	21,500				155
160				9.3	149.6	23,300 *	19.5	172.7	24,100 *	29.6	192.5	24,200	37.0	204.3	22,400	43.1	211.5	20,600				160
170										29.6	192.5	24,200	37.0	204.3	22,400	43.1	211.5	20,600				170
180										19.7	170.7	22,200	29.5	189.0	20,500	36.7	199.5	18,900	42.6	205.6	17,300	170
180										19.7	167.2	18,900	29.2	184.1	17,400	29.2	184.1	17,400	36.1	193.4	15,900	180
190																19.2	161.8	16,000	28.5	177.6	14,600	190
200																18.1	154.4	13,500	18.1	154.4	13,500	200



Liftcrane Luffing Jib Capacities

888 SERIES 2

Luffing Jib No. 135 On Boom No. 22EL
 179,100 Lb. Crane Counterweight
 44,000 Lb. Carbody Counterweight
 28 Ft. 2 in. Crawlers Extended
 360 Degree Rating

Designed And Tested
 With The Intent To Be In
 The Scope of ANSI B30.5

120 Ft. Boom, 150 Ft. Jib

Jib Oper. Rad. Feet	88 Degree Boom Angle			83 Degree Boom Angle			80 Degree Boom Angle			75 Degree Boom Angle			70 Degree Boom Angle			65 Degree Boom Angle			60 Degree Boom Angle			Jib Oper. Rad. Feet
	Jib Ang. Deg.	Jib Point Elev. Feet	Luffing Jib Capacity Pounds	Jib Ang. Deg.	Jib Point Elev. Feet	Luffing Jib Capacity Pounds	Jib Ang. Deg.	Jib Point Elev. Feet	Luffing Jib Capacity Pounds	Jib Ang. Deg.	Jib Point Elev. Feet	Luffing Jib Capacity Pounds	Jib Ang. Deg.	Jib Point Elev. Feet	Luffing Jib Capacity Pounds	Jib Ang. Deg.	Jib Point Elev. Feet	Luffing Jib Capacity Pounds	Jib Ang. Deg.	Jib Point Elev. Feet	Luffing Jib Capacity Pounds	
50	75.1	272.9	45,700 *																			50
55	73.1	271.5	44,000 *																			55
60	71.1	269.8	42,200 *																			60
65	69.1	268.0	40,600 *																			65
70	67.0	266.0	38,900 *																			70
75	64.9	263.8	37,300 *	69.3	267.2	40,900 *																75
80	62.8	261.3	35,800 *	67.2	265.2	39,300 *																80
85	60.6	258.6	34,300 *	65.1	263.0	37,700 *	67.7	264.6	39,400 *													85
90	58.4	255.7	32,800 *	63.0	260.5	36,200 *	65.6	262.5	38,000 *													90
95	56.1	252.5	31,400 *	60.8	257.9	34,700 *	63.5	260.1	36,500 *													95
100	53.8	249.0	30,100 *	58.6	254.9	33,300 *	61.3	257.5	35,100 *													100
105	51.4	245.2	28,800 *	56.3	251.7	31,900 *	59.1	254.6	33,700 *													105
110	48.9	241.0	27,600 *	54.0	248.3	30,600 *	56.9	251.5	32,300 *	61.4	255.1	34,800 *										110
115	46.3	236.4	26,400 *	51.6	244.5	29,300 *	54.6	248.1	31,000 *	59.2	252.3	33,500 *										115
120	43.6	231.4	25,300 *	49.1	240.3	28,000 *	52.2	244.4	29,700 *	57.0	249.2	32,200 *										120
125	40.8	225.9	24,300 *	46.6	235.8	26,900 *	49.7	240.3	28,400 *	54.7	245.8	30,900 *										125
130	37.8	219.8	23,300 *	43.9	230.8	25,700 *	47.2	235.9	27,300 *	52.3	242.1	29,700 *	56.9	245.8	29,500							130
135	34.5	213.0	22,300 *	41.0	225.4	24,700 *	44.5	231.0	26,100 *	49.8	238.0	28,500 *	54.6	242.4	28,000							135
140	31.0	205.2	21,400 *	38.0	219.3	23,600 *	41.7	225.7	25,000 *	47.3	233.6	27,400 *	52.2	238.7	26,700							140
145	27.1	196.2	20,600 *	34.8	212.6	22,700 *	38.8	219.8	24,000 *	44.6	228.8	26,200 *	49.8	234.6	25,500							145
150	22.5	185.4	19,800 *	31.3	204.9	21,800 *	35.6	213.2	23,000 *	41.8	223.4	25,200 *	47.2	230.2	24,300	52.0	234.2	22,400				150
155	16.8	171.4	19,200 *	27.4	196.0	20,900 *	32.2	205.8	22,100 *	38.9	217.6	24,200 *	44.6	225.3	23,300	49.6	230.1	21,400				155
160	7.9	148.6	18,700 *	22.9	185.4	20,100 *	28.4	197.2	21,200 *	35.7	211.0	23,200 *	41.8	220.0	22,300	47.0	225.6	20,500				160
170				9.0	150.4	18,900 *	18.9	174.3	19,700 *	28.5	195.1	21,400 *	35.7	207.6	20,500	41.6	215.4	18,800	46.6	219.9	17,200	170
180										19.1	172.4	19,800 *	28.5	191.6	18,900	35.4	202.8	17,300	41.1	209.5	15,800	180
190													19.0	168.9	17,400	28.2	186.7	16,000	34.9	196.6	14,500	190
200																18.5	163.5	14,700	27.5	180.1	13,400	200
210																			17.5	156.0	12,400	210



Liftcrane Luffing Jib Capacities

888 SERIES 2

Luffing Jib No. 135 On Boom No. 22EL
 179,100 Lb. Crane Counterweight
 44,000 Lb. Carbody Counterweight
 28 Ft. 2 in. Crawlers Extended
 360 Degree Rating

Designed And Tested
 With The Intent To Be In
 The Scope of ANSI B30.5

120 Ft. Boom, 160 Ft. Jib

Jib Oper. Rad. Feet	88 Degree Boom Angle			83 Degree Boom Angle			80 Degree Boom Angle			75 Degree Boom Angle			70 Degree Boom Angle			65 Degree Boom Angle			60 Degree Boom Angle			Jib Oper. Rad. Feet
	Jib Ang. Deg.	Jib Point Elev. Feet	Luffing Jib Capacity Pounds	Jib Ang. Deg.	Jib Point Elev. Feet	Luffing Jib Capacity Pounds	Jib Ang. Deg.	Jib Point Elev. Feet	Luffing Jib Capacity Pounds	Jib Ang. Deg.	Jib Point Elev. Feet	Luffing Jib Capacity Pounds	Jib Ang. Deg.	Jib Point Elev. Feet	Luffing Jib Capacity Pounds	Jib Ang. Deg.	Jib Point Elev. Feet	Luffing Jib Capacity Pounds	Jib Ang. Deg.	Jib Point Elev. Feet	Luffing Jib Capacity Pounds	
55	74.2	281.9	40,400 *																			55
60	72.3	280.4	38,800 *																			60
65	70.4	278.7	37,200 *																			65
70	68.5	276.8	35,600 *																			70
75	66.6	274.7	34,100 *	70.6	277.8	37,400 *																75
80	64.6	272.5	32,600 *	68.7	276.0	35,900 *																80
85	62.6	270.0	31,200 *	66.8	273.9	34,400 *																85
90	60.6	267.3	29,800 *	64.8	271.7	33,000 *	67.2	273.4	34,600 *													90
95	58.5	264.4	28,400 *	62.8	269.2	31,600 *	65.3	271.2	33,200 *													95
100	56.4	261.2	27,100 *	60.8	266.5	30,200 *	63.3	268.8	31,800 *													100
105	54.2	257.7	25,900 *	58.7	263.6	28,800 *	61.3	266.1	30,500 *													105
110	52.0	254.0	24,700 *	56.6	260.4	27,500 *	59.2	263.3	29,200 *													110
115	49.7	249.9	23,600 *	54.4	257.0	26,300 *	57.1	260.2	27,900 *	61.3	263.8	30,200 *										115
120	47.3	245.5	22,500 *	52.2	253.3	25,100 *	54.9	256.8	26,600 *	59.3	260.9	29,000 *										120
125	44.8	240.6	21,400 *	49.9	249.2	23,900 *	52.7	253.1	25,400 *	57.2	257.8	27,800 *										125
130	42.2	235.4	20,400 *	47.5	244.8	22,800 *	50.4	249.2	24,300 *	55.0	254.5	26,600 *										130
135	39.4	229.6	19,500 *	45.0	240.0	21,800 *	48.1	244.9	23,200 *	52.8	250.8	25,500 *	57.1	254.4	27,400 *							135
140	36.5	223.2	18,600 *	42.4	234.8	20,700 *	45.6	240.2	22,100 *	50.5	246.9	24,300 *	55.0	251.1	26,300							140
145	33.4	216.0	17,700 *	39.7	229.1	19,800 *	43.0	235.1	21,100 *	48.1	242.6	23,300 *	52.8	247.4	25,100							145
150	30.0	207.9	16,900 *	36.8	222.7	18,900 *	40.3	229.4	20,100 *	45.7	237.9	22,200 *	50.5	243.5	24,000							150
155	26.2	198.6	16,200 *	33.7	215.6	18,000 *	37.5	223.2	19,200 *	43.1	232.8	21,200 *	48.1	239.2	22,900	52.6	242.9	21,100				155
160	21.8	187.3	15,500 *	30.3	207.6	17,200 *	34.4	216.4	18,300 *	40.4	227.2	20,200 *	45.7	234.5	21,900	50.3	238.9	20,100				160
170	7.7	149.3	14,400 *	22.2	187.3	15,700 *	27.5	199.7	16,700 *	34.6	214.2	18,400 *	40.4	223.8	20,100	45.4	229.9	18,400				170
180				8.7	151.2	14,600 *	18.3	176.0	15,300 *	27.6	197.6	16,800 *	34.5	210.7	18,500 *	40.2	219.1	17,000	45.0	224.1	15,400	180
190										18.5	174.1	15,400 *	27.6	194.1	16,900 *	34.3	205.9	15,600	39.7	213.1	14,200	190
200													18.4	170.5	15,500 *	27.2	189.1	14,400	33.7	199.7	13,100	200
210																17.9	165.1	13,300	26.6	182.5	12,000	210
220																			16.9	157.5	11,100	220



Liftcrane Luffing Jib Capacities

888 SERIES 2

Luffing Jib No. 135 On Boom No. 22EL
 179,100 Lb. Crane Counterweight
 44,000 Lb. Carbody Counterweight
 28 Ft. 2 in. Crawlers Extended
 360 Degree Rating

Designed And Tested
 With The Intent To Be In
 The Scope of ANSI B30.5

120 Ft. Boom, 170 Ft. Jib

Jib Oper. Rad. Feet	88 Degree Boom Angle			83 Degree Boom Angle			80 Degree Boom Angle			75 Degree Boom Angle			70 Degree Boom Angle			65 Degree Boom Angle			60 Degree Boom Angle			Jib Oper. Rad. Feet
	Jib Ang. Deg.	Jib Point Elev. Feet	Luffing Jib Capacity Pounds	Jib Ang. Deg.	Jib Point Elev. Feet	Luffing Jib Capacity Pounds	Jib Ang. Deg.	Jib Point Elev. Feet	Luffing Jib Capacity Pounds	Jib Ang. Deg.	Jib Point Elev. Feet	Luffing Jib Capacity Pounds	Jib Ang. Deg.	Jib Point Elev. Feet	Luffing Jib Capacity Pounds	Jib Ang. Deg.	Jib Point Elev. Feet	Luffing Jib Capacity Pounds	Jib Ang. Deg.	Jib Point Elev. Feet	Luffing Jib Capacity Pounds	
55	75.2	292.2	37,400 *																			55
60	73.4	290.8	35,800 *																			60
65	71.6	289.3	34,400 *																			65
70	69.8	287.5	32,900 *																			70
75	68.0	285.6	31,400 *																			75
80	66.2	283.5	30,000 *	70.0	286.6	33,000 *																80
85	64.4	281.2	28,700 *	68.2	284.7	31,700 *																85
90	62.5	278.7	27,300 *	66.4	282.6	30,300 *																90
95	60.6	276.0	26,000 *	64.5	280.4	29,000 *	66.8	282.1	30,400 *													95
100	58.6	273.0	24,800 *	62.6	277.9	27,600 *	65.0	279.9	29,200 *													100
105	56.6	269.9	23,600 *	60.7	275.2	26,400 *	63.1	277.4	27,900 *													105
110	54.6	266.4	22,500 *	58.8	272.3	25,100 *	61.2	274.8	26,700 *													110
115	52.5	262.7	21,400 *	56.8	269.1	23,900 *	59.2	271.9	25,400 *													115
120	50.3	258.7	20,300 *	54.7	265.7	22,800 *	57.3	268.8	24,300 *	61.2	272.4	26,400 *										120
125	48.1	254.4	19,300 *	52.6	262.0	21,700 *	55.2	265.5	23,100 *	59.3	269.6	25,300 *										125
130	45.8	249.7	18,300 *	50.5	258.1	20,600 *	53.2	261.9	22,000 *	57.3	266.5	24,200 *										130
135	43.4	244.7	17,400 *	48.3	253.8	19,600 *	51.0	258.0	20,900 *	55.3	263.2	23,100 *										135
140	40.9	239.1	16,500 *	46.0	249.1	18,600 *	48.8	253.8	19,900 *	53.2	259.6	22,000 *	57.3	263.1	23,800 *							140
145	38.2	233.1	15,700 *	43.6	244.1	17,700 *	46.5	249.2	18,900 *	51.1	255.7	21,000 *	55.3	259.8	22,800 *							145
150	35.4	226.4	14,900 *	41.1	238.6	16,800 *	44.2	244.3	18,000 *	48.9	251.5	20,000 *	53.2	256.2	21,800 *							150
155	32.4	219.0	14,200 *	38.4	232.6	15,900 *	41.7	238.9	17,100 *	46.6	247.0	19,000 *	51.1	252.3	20,800 *							155
160	29.1	210.6	13,500 *	35.6	226.0	15,100 *	39.1	233.0	16,200 *	44.3	242.0	18,100 *	48.9	248.1	19,900 *	53.0	251.7	19,800				160
170	21.1	189.2	11,900 *	29.4	210.3	13,600 *	33.4	219.4	14,600 *	39.2	230.8	16,300 *	44.2	238.6	18,000 *	48.7	243.5	18,200				170
180	7.5	150.0	10,400 *	21.5	189.3	12,000 *	26.6	202.1	13,100 *	33.5	217.2	14,700 *	39.1	227.4	16,300 *	44.0	234.0	16,700				180
190				8.5	152.0	10,500 *	17.7	177.6	11,400 *	26.8	200.0	13,200 *	33.4	213.8	14,700 *	38.9	222.7	15,400	43.6	228.2	13,900	190
200										17.9	175.7	11,500 *	26.7	196.5	13,200 *	33.2	209.0	14,200	38.5	216.7	12,800	200
210													17.8	172.1	11,500 *	26.4	191.5	13,100	32.7	202.7	11,800	210
220																17.4	166.6	11,500 *	25.8	184.9	10,900	220
230																16.4	159.0	10,000	16.4	159.0	10,000	230



Liftcrane Luffing Jib Capacities

888 SERIES 2

Luffing Jib No. 135 On Boom No. 22EL
 179,100 Lb. Crane Counterweight
 44,000 Lb. Carbody Counterweight
 28 Ft. 2 in. Crawlers Extended
 360 Degree Rating

Designed And Tested
 With The Intent To Be In
 The Scope of ANSI B30.5

130 Ft. Boom, 70 Ft. Jib

Jib Oper. Rad. Feet	88 Degree Boom Angle			83 Degree Boom Angle			80 Degree Boom Angle			75 Degree Boom Angle			70 Degree Boom Angle			65 Degree Boom Angle			60 Degree Boom Angle			Jib Oper. Rad. Feet
	Jib Ang. Deg.	Jib Point Elev. Feet	Luffing Jib Capacity Pounds	Jib Ang. Deg.	Jib Point Elev. Feet	Luffing Jib Capacity Pounds	Jib Ang. Deg.	Jib Point Elev. Feet	Luffing Jib Capacity Pounds	Jib Ang. Deg.	Jib Point Elev. Feet	Luffing Jib Capacity Pounds	Jib Ang. Deg.	Jib Point Elev. Feet	Luffing Jib Capacity Pounds	Jib Ang. Deg.	Jib Point Elev. Feet	Luffing Jib Capacity Pounds	Jib Ang. Deg.	Jib Point Elev. Feet	Luffing Jib Capacity Pounds	
45	61.7	199.5	98,200 *b																			45
50	56.9	196.6	94,000 *b																			50
55	51.9	193.0	90,300 *b	62.9	199.1	101,200 *b																55
60	46.5	188.7	87,100 *	58.2	196.3	95,500 b																60
65	40.5	183.4	80,400 *	53.2	192.9	86,400 b	59.8	196.2	83,200 b													65
70	33.7	176.8	73,000 *	47.9	188.8	78,800	54.9	193.0	75,900 b													70
75	25.4	168.0	66,800 *	42.1	183.8	72,300	49.8	189.1	69,700	60.8	194.1	65,400 b										75
80	13.0	153.6	53,100 *	35.6	177.6	66,800	44.2	184.5	64,400	56.0	191.1	60,400 b										80
85				27.8	169.5	61,900	37.9	178.7	59,700	50.9	187.4	56,000 b										85
90				17.0	157.3	57,600	30.7	171.4	55,600	45.4	182.9	52,200	56.7	188.0	48,700 b							90
95							21.3	161.2	52,000	39.3	177.4	48,800	51.7	184.4	45,600 b							95
100										32.3	170.4	45,800	46.2	180.0	42,800							100
105										23.5	161.0	43,000	40.3	174.7	40,200	52.1	180.2	37,500 b				105
110										8.8	143.7	40,500	33.4	168.0	37,900	46.7	175.9	35,300				110
115													25.0	159.1	35,800	40.8	170.6	33,400				115
120													12.2	144.2	33,900	34.0	164.1	31,600	46.7	170.4	29,300	120
125																25.8	155.4	30,000	40.7	165.2	27,800	125
130																13.7	141.5	28,400	34.0	158.6	26,400	130
135																			25.7	149.9	25,100	135
140																			13.6	135.9	23,800	140



Liftcrane Luffing Jib Capacities

888 SERIES 2

Luffing Jib No. 135 On Boom No. 22EL
 179,100 Lb. Crane Counterweight
 44,000 Lb. Carbody Counterweight
 28 Ft. 2 in. Crawlers Extended
 360 Degree Rating

Designed And Tested
 With The Intent To Be In
 The Scope of ANSI B30.5

130 Ft. Boom, 80 Ft. Jib

Jib Oper. Rad. Feet	88 Degree Boom Angle			83 Degree Boom Angle			80 Degree Boom Angle			75 Degree Boom Angle			70 Degree Boom Angle			65 Degree Boom Angle			60 Degree Boom Angle			Jib Oper. Rad. Feet
	Jib Ang. Deg.	Jib Point Elev. Feet	Luffing Jib Capacity Pounds	Jib Ang. Deg.	Jib Point Elev. Feet	Luffing Jib Capacity Pounds	Jib Ang. Deg.	Jib Point Elev. Feet	Luffing Jib Capacity Pounds	Jib Ang. Deg.	Jib Point Elev. Feet	Luffing Jib Capacity Pounds	Jib Ang. Deg.	Jib Point Elev. Feet	Luffing Jib Capacity Pounds	Jib Ang. Deg.	Jib Point Elev. Feet	Luffing Jib Capacity Pounds	Jib Ang. Deg.	Jib Point Elev. Feet	Luffing Jib Capacity Pounds	
45	65.5	210.7	88,000 *b																			45
50	61.5	208.2	84,200 *b																			50
55	57.3	205.2	80,500 *b	66.5	210.2	90,400 *b																55
60	52.9	201.8	77,300 *	62.5	207.8	86,600 *b																60
65	48.3	197.6	74,300 *	58.4	205.0	82,900 *b	63.9	207.5	82,900 b													65
70	43.3	192.8	71,600 *	54.1	201.6	78,500	59.8	204.9	75,600 b													70
75	37.8	186.9	67,300 *	49.5	197.7	72,100	55.6	201.7	69,400													75
80	31.5	179.7	61,700 *	44.6	193.0	66,500	51.1	198.0	64,100	60.7	202.8	60,000 b										80
85	23.8	170.2	56,900 *	39.3	187.5	61,700	46.4	193.6	59,400	56.5	199.8	55,600										85
90	12.1	154.7	46,100 *	33.2	180.7	57,500	41.2	188.4	55,400	52.1	196.2	51,800										90
95				26.0	171.9	53,800	35.4	182.0	51,800	47.4	191.9	48,500	57.1	196.6	45,200							95
100				15.9	158.8	50,400	28.6	174.1	48,600	42.3	186.9	45,500	52.8	193.1	42,400							100
105							19.9	163.0	45,700	36.7	180.8	42,800	48.1	189.0	39,900							105
110										30.1	173.2	40,300	43.1	184.1	37,600							110
115										22.0	163.0	38,100	37.6	178.2	35,500	48.5	184.8	33,000				115
120										8.2	144.5	36,000	31.2	170.9	33,700	43.5	180.0	31,200				120
125													23.4	161.2	31,900	38.0	174.2	29,600				125
130													11.4	145.3	30,300	31.8	167.0	28,100	43.5	174.6	26,000	130
135																24.1	157.6	26,800	38.0	168.8	24,700	135
140																12.8	142.6	25,400	31.7	161.6	23,500	140
145																			24.1	152.1	22,400	145
150																			12.7	137.1	21,300	150



Liftcrane Luffing Jib Capacities

888 SERIES 2

Luffing Jib No. 135 On Boom No. 22EL
 179,100 Lb. Crane Counterweight
 44,000 Lb. Carbody Counterweight
 28 Ft. 2 in. Crawlers Extended
 360 Degree Rating

Designed And Tested
 With The Intent To Be In
 The Scope of ANSI B30.5

130 Ft. Boom, 90 Ft. Jib

Jib Oper. Rad. Feet	88 Degree Boom Angle			83 Degree Boom Angle			80 Degree Boom Angle			75 Degree Boom Angle			70 Degree Boom Angle			65 Degree Boom Angle			60 Degree Boom Angle			Jib Oper. Rad. Feet
	Jib Ang. Deg.	Jib Point Elev. Feet	Luffing Jib Capacity Pounds	Jib Ang. Deg.	Jib Point Elev. Feet	Luffing Jib Capacity Pounds	Jib Ang. Deg.	Jib Point Elev. Feet	Luffing Jib Capacity Pounds	Jib Ang. Deg.	Jib Point Elev. Feet	Luffing Jib Capacity Pounds	Jib Ang. Deg.	Jib Point Elev. Feet	Luffing Jib Capacity Pounds	Jib Ang. Deg.	Jib Point Elev. Feet	Luffing Jib Capacity Pounds	Jib Ang. Deg.	Jib Point Elev. Feet	Luffing Jib Capacity Pounds	
45	68.3	221.6	79,800 *b																			45
50	64.9	219.4	76,400 *b																			50
55	61.3	216.9	73,300 *	69.2	221.0	81,800 *b																55
60	57.6	213.9	70,400 *	65.8	218.9	78,500 *b																60
65	53.8	210.5	67,600 *	62.2	216.5	75,400 *b	67.0	218.5	79,600 *b													65
70	49.7	206.5	65,200 *	58.6	213.6	72,600 *	63.5	216.2	75,300 b													70
75	45.4	202.0	62,900 *	54.8	210.3	69,800 *	59.8	213.5	69,200													75
80	40.7	196.6	60,800 *	50.8	206.5	66,400	56.1	210.4	63,900													80
85	35.6	190.3	56,900 *	46.5	202.1	61,600	52.2	206.8	59,200	60.6	211.5	55,400										85
90	29.7	182.4	52,700 *	42.0	197.0	57,400	48.0	202.6	55,200	56.9	208.4	51,600										90
95	22.4	172.2	49,100 *	37.0	190.9	53,700	43.6	197.7	51,600	53.0	204.9	48,200										95
100	11.4	155.7	41,200 *	31.3	183.5	50,400	38.7	192.0	48,500	48.9	200.9	45,300	57.5	205.3	42,100							100
105				24.5	174.1	47,400	33.3	185.1	45,600	44.5	196.2	42,600	53.6	201.9	39,600							105
110				15.0	160.2	44,700	27.0	176.5	43,000	39.8	190.6	40,200	49.5	197.9	37,400							110
115							18.8	164.7	40,600	34.5	184.0	38,000	45.2	193.3	35,300							115
120										28.4	175.8	36,000	40.5	187.9	33,500	49.9	193.7	31,000				120
125										20.7	164.9	34,100	35.3	181.5	31,800	45.6	189.2	29,400				125
130										7.7	145.2	32,400	29.4	173.6	30,200	40.9	183.9	27,900				130
135													22.0	163.2	28,700	35.8	177.6	26,600	45.5	183.7	24,500	135
140													10.7	146.2	27,300	29.9	169.8	25,300	40.9	178.4	23,300	140
145																22.7	159.7	24,100	35.7	172.1	22,200	145
150																12.0	143.7	23,000	29.9	164.3	21,200	150
155																			22.7	154.2	20,300	155
160																			11.9	138.2	19,300	160



Liftcrane Luffing Jib Capacities

888 SERIES 2

Luffing Jib No. 135 On Boom No. 22EL
 179,100 Lb. Crane Counterweight
 44,000 Lb. Carbody Counterweight
 28 Ft. 2 in. Crawlers Extended
 360 Degree Rating

Designed And Tested
 With The Intent To Be In
 The Scope of ANSI B30.5

130 Ft. Boom, 100 Ft. Jib

Jib Oper. Rad. Feet	88 Degree Boom Angle			83 Degree Boom Angle			80 Degree Boom Angle			75 Degree Boom Angle			70 Degree Boom Angle			65 Degree Boom Angle			60 Degree Boom Angle			Jib Oper. Rad. Feet
	Jib Ang. Deg.	Jib Point Elev. Feet	Luffing Jib Capacity Pounds	Jib Ang. Deg.	Jib Point Elev. Feet	Luffing Jib Capacity Pounds	Jib Ang. Deg.	Jib Point Elev. Feet	Luffing Jib Capacity Pounds	Jib Ang. Deg.	Jib Point Elev. Feet	Luffing Jib Capacity Pounds	Jib Ang. Deg.	Jib Point Elev. Feet	Luffing Jib Capacity Pounds	Jib Ang. Deg.	Jib Point Elev. Feet	Luffing Jib Capacity Pounds	Jib Ang. Deg.	Jib Point Elev. Feet	Luffing Jib Capacity Pounds	
45	70.6	232.2	74,500 *b																			45
50	67.5	230.3	71,300 *b																			50
55	64.4	228.1	68,200 *																			55
60	61.2	225.5	65,300 *	68.3	229.8	73,000 *b																60
65	57.8	222.6	62,700 *	65.2	227.6	70,000 *																65
70	54.4	219.2	60,100 *	62.0	225.1	67,200 *	66.3	227.3	71,000 *b													70
75	50.8	215.4	57,800 *	58.7	222.3	64,500 *	63.1	224.9	68,300 *													75
80	47.0	211.0	55,600 *	55.3	219.0	62,000 *	59.9	222.2	63,500													80
85	42.9	206.0	53,600 *	51.7	215.3	59,600 *	56.5	219.1	58,900													85
90	38.5	200.2	51,800 *	48.0	211.1	57,100	53.0	215.5	54,900	60.5	220.1	51,200										90
95	33.7	193.4	48,800 *	44.0	206.3	53,400	49.3	211.5	51,300	57.2	217.1	47,900										95
100	28.1	185.0	45,500 *	39.7	200.7	50,100	45.4	206.9	48,200	53.7	213.7	44,900										100
105	21.2	174.1	42,600 *	35.0	194.2	47,200	41.2	201.6	45,300	50.1	209.7	42,200	57.7	214.0	39,200							105
110	10.8	156.7	36,800 *	29.6	186.3	44,500	36.7	195.4	42,800	46.2	205.3	39,800	54.3	210.6	37,000							110
115				23.2	176.2	42,100	31.6	188.0	40,400	42.1	200.1	37,700	50.6	206.8	34,900							115
120				14.2	161.4	39,800	25.6	178.9	38,300	37.6	194.1	35,700	46.8	202.4	33,100							120
125							17.8	166.3	36,300	32.7	187.0	33,900	42.8	197.3	31,400	50.9	202.6	29,000				125
130										26.9	178.3	32,200	38.4	191.5	29,800	47.1	198.2	27,500				130
135										19.6	166.7	30,600	33.5	184.6	28,400	43.1	193.3	26,200				135
140										7.3	145.8	29,100	27.8	176.2	27,100	38.7	187.5	25,000	47.1	192.8	22,900	140
145													20.9	165.1	25,800	33.9	180.7	23,800	43.1	187.8	21,800	145
150													10.2	147.1	24,600	28.3	172.4	22,700	38.7	182.0	20,800	150
155																21.5	161.6	21,700	33.8	175.2	19,900	155
160																11.4	144.7	20,700	28.3	166.9	19,000	160
170																			11.3	139.2	17,400	170



Liftcrane Luffing Jib Capacities

888 SERIES 2

Luffing Jib No. 135 On Boom No. 22EL
 179,100 Lb. Crane Counterweight
 44,000 Lb. Carbody Counterweight
 28 Ft. 2 in. Crawlers Extended
 360 Degree Rating

Designed And Tested
 With The Intent To Be In
 The Scope of ANSI B30.5

130 Ft. Boom, 110 Ft. Jib

Jib Oper. Rad. Feet	88 Degree Boom Angle			83 Degree Boom Angle			80 Degree Boom Angle			75 Degree Boom Angle			70 Degree Boom Angle			65 Degree Boom Angle			60 Degree Boom Angle			Jib Oper. Rad. Feet
	Jib Ang. Deg.	Jib Point Elev. Feet	Luffing Jib Capacity Pounds	Jib Ang. Deg.	Jib Point Elev. Feet	Luffing Jib Capacity Pounds	Jib Ang. Deg.	Jib Point Elev. Feet	Luffing Jib Capacity Pounds	Jib Ang. Deg.	Jib Point Elev. Feet	Luffing Jib Capacity Pounds	Jib Ang. Deg.	Jib Point Elev. Feet	Luffing Jib Capacity Pounds	Jib Ang. Deg.	Jib Point Elev. Feet	Luffing Jib Capacity Pounds	Jib Ang. Deg.	Jib Point Elev. Feet	Luffing Jib Capacity Pounds	
45	72.4	242.8	69,800 *b																			45
50	69.7	241.1	67,300 *b																			50
55	66.9	239.1	64,800 *																			55
60	64.0	236.8	62,500 *	70.4	240.4	68,500 *b																60
65	61.1	234.2	60,200 *	67.6	238.5	66,300 *																65
70	58.0	231.2	57,900 *	64.7	236.3	64,000 *																70
75	54.9	227.9	55,700 *	61.8	233.8	61,700 *	65.7	236.0	64,700 *													75
80	51.7	224.2	53,600 *	58.8	231.0	59,400 *	62.8	233.6	62,700 *													80
85	48.3	220.0	51,700 *	55.7	227.7	57,200 *	59.9	230.8	58,900													85
90	44.7	215.3	49,900 *	52.5	224.1	55,100 *	56.8	227.8	54,800													90
95	40.8	209.9	48,200 *	49.2	220.1	53,100 *	53.6	224.3	51,300	60.5	228.8	47,800										95
100	36.7	203.6	46,200 *	45.6	215.5	50,100	50.3	220.4	48,100	57.5	225.8	44,900										100
105	32.1	196.3	43,100 *	41.9	210.2	47,200	46.9	216.0	45,300	54.3	222.4	42,200										105
110	26.8	187.4	40,300 *	37.8	204.2	44,500	43.2	211.0	42,700	51.0	218.6	39,800	57.9	222.7	36,900							110
115	20.2	175.9	37,700 *	33.3	197.2	42,100	39.2	205.3	40,400	47.6	214.3	37,600	54.8	219.3	34,900							115
120	10.3	157.7	32,200 *	28.2	188.8	39,900	34.9	198.6	38,300	44.0	209.4	35,700	51.5	215.6	33,100							120
125				22.1	178.2	37,900	30.1	190.8	36,400	40.1	203.9	33,900	48.1	211.4	31,400							125
130				13.6	162.7	36,000 *	24.4	181.1	34,600	35.8	197.5	32,200	44.5	206.6	29,800	51.8	211.4	27,500				130
135							17.0	167.8	32,900	31.1	189.9	30,700	40.7	201.2	28,400	48.4	207.2	26,200				135
140										25.6	180.6	29,300	36.5	194.9	27,100	44.8	202.5	24,900				140
145										18.7	168.4	27,900	31.9	187.5	25,800	41.0	197.1	23,800				145
150										7.0	146.5	26,600	26.5	178.6	24,700	36.9	190.9	22,700	44.8	197.0	20,800	150
155													19.9	166.9	23,600	32.3	183.7	21,700	41.0	191.7	19,900	155
160													9.7	148.0	22,600	27.0	174.9	20,800	36.8	185.5	19,000	160
170																10.9	145.7	19,000	27.0	169.4	17,500	170
180																			10.8	140.1	16,000	180



Liftcrane Luffing Jib Capacities

888 SERIES 2

Luffing Jib No. 135 On Boom No. 22EL
 179,100 Lb. Crane Counterweight
 44,000 Lb. Carbody Counterweight
 28 Ft. 2 in. Crawlers Extended
 360 Degree Rating

Designed And Tested
 With The Intent To Be In
 The Scope of ANSI B30.5

130 Ft. Boom, 120 Ft. Jib

Jib Oper. Rad. Feet	88 Degree Boom Angle			83 Degree Boom Angle			80 Degree Boom Angle			75 Degree Boom Angle			70 Degree Boom Angle			65 Degree Boom Angle			60 Degree Boom Angle			Jib Oper. Rad. Feet
	Jib Ang. Deg.	Jib Point Elev. Feet	Luffing Jib Capacity Pounds	Jib Ang. Deg.	Jib Point Elev. Feet	Luffing Jib Capacity Pounds	Jib Ang. Deg.	Jib Point Elev. Feet	Luffing Jib Capacity Pounds	Jib Ang. Deg.	Jib Point Elev. Feet	Luffing Jib Capacity Pounds	Jib Ang. Deg.	Jib Point Elev. Feet	Luffing Jib Capacity Pounds	Jib Ang. Deg.	Jib Point Elev. Feet	Luffing Jib Capacity Pounds	Jib Ang. Deg.	Jib Point Elev. Feet	Luffing Jib Capacity Pounds	
45	73.9	253.2	57,200 *b																			45
50	71.4	251.7	56,000 *b																			50
55	68.9	249.9	55,000 *																			55
60	66.3	247.8	53,300 *																			60
65	63.7	245.5	51,300 *	69.6	249.3	56,200 *																65
70	61.0	242.8	49,300 *	67.0	247.3	54,400 *																70
75	58.2	239.9	47,400 *	64.4	245.0	52,400 *	67.9	246.9	54,800 *													75
80	55.4	236.6	45,500 *	61.7	242.5	50,400 *	65.3	244.7	53,000 *													80
85	52.4	233.0	43,800 *	58.9	239.6	48,400 *	62.6	242.2	51,000 *													85
90	49.3	228.9	42,200 *	56.1	236.4	46,600 *	59.9	239.5	49,200 *													90
95	46.1	224.4	40,600 *	53.2	232.9	44,800 *	57.1	236.4	47,400 *													95
100	42.7	219.3	39,200 *	50.1	228.9	43,200 *	54.2	233.0	45,600 *	60.5	237.4	44,500										100
105	39.0	213.5	37,900 *	46.9	224.5	41,600 *	51.2	229.2	44,000 *	57.7	234.5	41,800										105
110	35.1	206.9	36,700 *	43.6	219.6	40,200 *	48.1	225.0	42,400 *	54.8	231.1	39,500										110
115	30.7	199.1	35,500 *	40.0	214.0	38,800 *	44.8	220.2	40,100	51.8	227.4	37,300										115
120	25.6	189.8	34,500 *	36.1	207.6	37,500 *	41.3	214.8	38,000	48.7	223.2	35,300	55.2	228.0	32,700							120
125	19.4	177.7	33,200 *	31.9	200.2	36,300 *	37.5	208.7	36,100	45.5	218.6	33,500	52.3	224.4	31,000							125
130	9.9	158.5	28,800 *	27.0	191.3	35,300 *	33.4	201.7	34,400	42.0	213.3	31,900	49.2	220.3	29,500							130
135				21.1	180.1	34,100	28.7	193.4	32,700	38.3	207.4	30,400	46.0	215.7	28,000	52.5	220.2	25,800				135
140				13.0	163.8	32,100 *	23.3	183.2	31,200	34.3	200.6	29,000	42.5	210.6	26,700	49.4	216.1	24,500				140
145							16.2	169.3	29,800	29.8	192.6	27,600	38.9	204.8	25,500	46.2	211.6	23,400				145
150										24.5	182.9	26,400	34.9	198.1	24,400	42.8	206.5	22,400				150
155										17.9	170.0	25,300	30.5	190.3	23,300	39.2	200.7	21,400	46.2	206.1	19,500	155
160										6.7	147.1	24,100	25.4	180.9	22,300	35.2	194.2	20,500	42.8	201.1	18,600	160
170													9.3	148.8	20,400	25.8	177.2	18,800	35.2	188.7	17,100	170
180																10.4	146.6	17,200	25.8	171.7	15,700	180
190																			10.3	141.1	14,400	190



Liftcrane Luffing Jib Capacities

888 SERIES 2

Luffing Jib No. 135 On Boom No. 22EL
 179,100 Lb. Crane Counterweight
 44,000 Lb. Carbody Counterweight
 28 Ft. 2 in. Crawlers Extended
 360 Degree Rating

Designed And Tested
 With The Intent To Be In
 The Scope of ANSI B30.5

130 Ft. Boom, 130 Ft. Jib

Jib Oper. Rad. Feet	88 Degree Boom Angle			83 Degree Boom Angle			80 Degree Boom Angle			75 Degree Boom Angle			70 Degree Boom Angle			65 Degree Boom Angle			60 Degree Boom Angle			Jib Oper. Rad. Feet
	Jib Ang. Deg.	Jib Point Elev. Feet	Luffing Jib Capacity Pounds	Jib Ang. Deg.	Jib Point Elev. Feet	Luffing Jib Capacity Pounds	Jib Ang. Deg.	Jib Point Elev. Feet	Luffing Jib Capacity Pounds	Jib Ang. Deg.	Jib Point Elev. Feet	Luffing Jib Capacity Pounds	Jib Ang. Deg.	Jib Point Elev. Feet	Luffing Jib Capacity Pounds	Jib Ang. Deg.	Jib Point Elev. Feet	Luffing Jib Capacity Pounds	Jib Ang. Deg.	Jib Point Elev. Feet	Luffing Jib Capacity Pounds	
45	75.2	263.6	53,500 *b																			45
50	72.9	262.2	52,500 *																			50
55	70.6	260.5	51,200 *																			55
60	68.2	258.6	49,300 *																			60
65	65.8	256.5	47,500 *																			65
70	63.4	254.1	45,700 *	68.8	258.1	50,200 *																70
75	60.9	251.5	43,900 *	66.5	256.0	48,400 *																75
80	58.4	248.6	42,200 *	64.0	253.7	46,600 *	67.3	255.6	48,800 *													80
85	55.7	245.3	40,700 *	61.6	251.1	44,900 *	64.9	253.4	47,100 *													85
90	53.0	241.8	39,100 *	59.0	248.3	43,200 *	62.4	250.9	45,500 *													90
95	50.2	237.8	37,700 *	56.4	245.1	41,700 *	59.9	248.2	43,900 *													95
100	47.3	233.4	36,300 *	53.7	241.6	40,100 *	57.3	245.1	42,300 *	62.9	248.8	44,200										100
105	44.2	228.5	35,000 *	50.9	237.8	38,600 *	54.7	241.7	40,800 *	60.4	246.1	41,600										105
110	40.9	223.1	33,700 *	48.0	233.5	37,200 *	51.9	238.0	39,300 *	57.8	243.1	39,200										110
115	37.4	216.9	32,600 *	45.0	228.7	35,800 *	49.0	233.9	37,900 *	55.2	239.8	37,000										115
120	33.7	210.0	31,500 *	41.8	223.5	34,600 *	46.1	229.3	36,500 *	52.5	236.2	35,100										120
125	29.4	201.8	30,500 *	38.4	217.5	33,400 *	42.9	224.2	35,200 *	49.6	232.1	33,300	55.6	236.7	30,700							125
130	24.6	192.0	29,600 *	34.7	210.8	32,200 *	39.6	218.5	33,900 *	46.7	227.6	31,600	52.9	233.1	29,200							130
135	18.6	179.4	28,800 *	30.6	203.0	31,200 *	36.0	212.1	32,500	43.6	222.7	30,100	50.1	229.2	27,800							135
140	9.5	159.4	25,700 *	25.9	193.6	30,200 *	32.0	204.7	31,000	40.3	217.1	28,700	47.1	224.8	26,500							140
145				20.3	181.9	29,400 *	27.6	195.9	29,600	36.7	210.8	27,400	44.1	219.9	25,300	50.3	225.0	23,100				145
150				12.5	164.9	28,600 *	22.4	185.2	28,300	32.9	203.6	26,200	40.8	214.4	24,100	47.4	220.6	22,100				150
155							15.6	170.7	27,100	28.6	195.2	25,100	37.3	208.2	23,100	44.3	215.8	21,100				155
160										23.5	185.0	24,000	33.5	201.2	22,100	41.1	210.3	20,200	47.4	215.2	18,400	160
170										6.4	147.6	22,000	24.4	183.1	20,300	33.8	197.3	18,500	41.0	204.9	16,800	170
180													8.9	149.6	18,600	24.8	179.4	17,000	33.8	191.8	15,500	180
190																10.0	147.5	15,700	24.8	174.0	14,200	190
200																			9.9	142.0	13,000	200



Liftcrane Luffing Jib Capacities

888 SERIES 2

Luffing Jib No. 135 On Boom No. 22EL
 179,100 Lb. Crane Counterweight
 44,000 Lb. Carbody Counterweight
 28 Ft. 2 in. Crawlers Extended
 360 Degree Rating

Designed And Tested
 With The Intent To Be In
 The Scope of ANSI B30.5

130 Ft. Boom, 140 Ft. Jib

Jib Oper. Rad. Feet	88 Degree Boom Angle			83 Degree Boom Angle			80 Degree Boom Angle			75 Degree Boom Angle			70 Degree Boom Angle			65 Degree Boom Angle			60 Degree Boom Angle			Jib Oper. Rad. Feet
	Jib Ang. Deg.	Jib Point Elev. Feet	Luffing Jib Capacity Pounds	Jib Ang. Deg.	Jib Point Elev. Feet	Luffing Jib Capacity Pounds	Jib Ang. Deg.	Jib Point Elev. Feet	Luffing Jib Capacity Pounds	Jib Ang. Deg.	Jib Point Elev. Feet	Luffing Jib Capacity Pounds	Jib Ang. Deg.	Jib Point Elev. Feet	Luffing Jib Capacity Pounds	Jib Ang. Deg.	Jib Point Elev. Feet	Luffing Jib Capacity Pounds	Jib Ang. Deg.	Jib Point Elev. Feet	Luffing Jib Capacity Pounds	
50	74.2	272.6	48,900 *																			50
55	72.0	271.1	47,300 *																			55
60	69.9	269.3	45,500 *																			60
65	67.7	267.4	43,700 *																			65
70	65.4	265.2	42,000 *	70.4	268.7	46,100 *																70
75	63.2	262.8	40,400 *	68.2	266.8	44,500 *																75
80	60.8	260.2	38,800 *	66.0	264.7	42,800 *																80
85	58.5	257.2	37,200 *	63.7	262.4	41,200 *	66.8	264.4	43,200 *													85
90	56.0	254.0	35,700 *	61.4	259.8	39,600 *	64.5	262.1	41,700 *													90
95	53.5	250.5	34,300 *	59.1	256.9	38,100 *	62.2	259.6	40,200 *													95
100	50.9	246.6	33,000 *	56.7	253.8	36,600 *	59.9	256.8	38,700 *													100
105	48.3	242.4	31,700 *	54.2	250.4	35,200 *	57.5	253.8	37,200 *	62.7	257.5	39,900 *										105
110	45.4	237.7	30,400 *	51.6	246.6	33,800 *	55.0	250.4	35,800 *	60.4	254.8	38,600 *										110
115	42.5	232.5	29,200 *	49.0	242.4	32,400 *	52.5	246.8	34,300 *	58.0	251.8	36,700 *										115
120	39.4	226.7	28,100 *	46.2	237.8	31,200 *	49.9	242.8	33,000 *	55.6	248.5	34,700 *										120
125	36.0	220.3	27,100 *	43.3	232.8	30,000 *	47.2	238.3	31,700 *	53.0	244.9	32,900 *										125
130	32.4	212.9	26,000 *	40.2	227.2	28,800 *	44.3	233.5	30,500 *	50.4	241.0	31,300 *	55.9	245.4	28,800 *							130
135	28.3	204.4	25,100 *	36.9	220.9	27,700 *	41.3	228.1	29,400 *	47.7	236.6	29,800 *	53.4	241.9	27,400 *							135
140	23.7	194.1	24,300 *	33.4	213.8	26,700 *	38.1	222.0	28,200 *	44.9	231.9	28,400 *	50.8	238.0	26,100 *							140
145	17.9	181.0	23,600 *	29.4	205.6	25,700 *	34.6	215.2	27,200 *	41.9	226.6	27,100 *	48.1	233.7	24,900 *							145
150	9.2	160.2	23,000 *	25.0	195.9	24,800 *	30.8	207.5	26,200 *	38.8	220.7	25,900 *	45.3	229.0	23,800 *	51.0	233.8	21,700 *				150
155				19.6	183.7	24,100 *	26.6	198.3	25,300 *	35.4	214.1	24,800 *	42.4	223.8	22,700 *	48.4	229.6	20,700 *				155
160				12.0	166.0	23,400 *	21.6	187.1	24,500 *	31.6	206.5	23,700 *	39.2	218.0	21,700 *	45.6	224.9	19,800 *				160
170										22.7	187.0	21,800 *	32.2	204.1	20,000 *	39.5	214.0	18,200 *	45.5	219.5	16,400 *	170
180										6.2	148.2	20,000 *	23.5	185.2	18,400 *	32.5	200.2	16,700 *	39.5	208.5	15,100 *	180
190													8.6	150.4	16,900 *	23.9	181.6	15,400 *	32.5	194.8	13,800 *	190
200																9.6	148.4	14,100 *	23.8	176.1	12,700 *	200
210																			9.6	142.8	11,700 *	210



Liftcrane Luffing Jib Capacities

888 SERIES 2

Luffing Jib No. 135 On Boom No. 22EL
 179,100 Lb. Crane Counterweight
 44,000 Lb. Carbody Counterweight
 28 Ft. 2 in. Crawlers Extended
 360 Degree Rating

Designed And Tested
 With The Intent To Be In
 The Scope of ANSI B30.5

130 Ft. Boom, 150 Ft. Jib

Jib Oper. Rad. Feet	88 Degree Boom Angle			83 Degree Boom Angle			80 Degree Boom Angle			75 Degree Boom Angle			70 Degree Boom Angle			65 Degree Boom Angle			60 Degree Boom Angle			Jib Oper. Rad. Feet
	Jib Ang. Deg.	Jib Point Elev. Feet	Luffing Jib Capacity Pounds	Jib Ang. Deg.	Jib Point Elev. Feet	Luffing Jib Capacity Pounds	Jib Ang. Deg.	Jib Point Elev. Feet	Luffing Jib Capacity Pounds	Jib Ang. Deg.	Jib Point Elev. Feet	Luffing Jib Capacity Pounds	Jib Ang. Deg.	Jib Point Elev. Feet	Luffing Jib Capacity Pounds	Jib Ang. Deg.	Jib Point Elev. Feet	Luffing Jib Capacity Pounds	Jib Ang. Deg.	Jib Point Elev. Feet	Luffing Jib Capacity Pounds	
50	75.2	283.0	45,500 *																			50
55	73.3	281.6	43,800 *																			55
60	71.3	280.0	42,100 *																			60
65	69.2	278.2	40,500 *																			65
70	67.2	276.2	38,900 *																			70
75	65.1	273.9	37,300 *	69.7	277.6	41,000 *																75
80	63.0	271.5	35,800 *	67.7	275.6	39,500 *																80
85	60.8	268.8	34,300 *	65.6	273.4	38,000 *																85
90	58.6	265.9	32,900 *	63.5	271.1	36,500 *	66.3	273.1	38,300 *													90
95	56.3	262.7	31,500 *	61.3	268.5	35,000 *	64.2	270.8	36,900 *													95
100	54.0	259.2	30,200 *	59.1	265.6	33,600 *	62.1	268.3	35,500 *													100
105	51.6	255.4	28,900 *	56.9	262.5	32,200 *	59.9	265.5	34,100 *													105
110	49.1	251.3	27,700 *	54.6	259.1	30,900 *	57.7	262.5	32,800 *	62.5	266.2	35,300 *										110
115	46.5	246.8	26,500 *	52.2	255.4	29,600 *	55.4	259.2	31,400 *	60.4	263.4	34,100 *										115
120	43.8	241.8	25,400 *	49.7	251.3	28,400 *	53.0	255.5	30,200 *	58.1	260.5	32,800 *										120
125	41.0	236.3	24,400 *	47.2	246.9	27,200 *	50.6	251.6	28,900 *	55.9	257.2	31,600 *										125
130	38.0	230.2	23,400 *	44.5	242.0	26,000 *	48.1	247.3	27,700 *	53.5	253.7	30,400 *										130
135	34.8	223.5	22,400 *	41.7	236.7	25,000 *	45.5	242.6	26,600 *	51.1	249.8	29,200 *	56.2	254.1	27,300							135
140	31.3	215.8	21,500 *	38.8	230.8	23,900 *	42.7	237.5	25,500 *	48.6	245.6	28,000 *	53.9	250.6	26,000							140
145	27.4	206.9	20,700 *	35.6	224.2	23,000 *	39.8	231.8	24,400 *	46.0	241.0	26,900 *	51.5	246.8	24,800							145
150	22.9	196.2	19,900 *	32.2	216.8	22,000 *	36.7	225.4	23,400 *	43.3	235.9	25,800	49.0	242.7	23,700							150
155	17.3	182.5	19,300 *	28.4	208.2	21,200 *	33.4	218.3	22,400 *	40.4	230.3	24,700	46.4	238.1	22,600	51.7	242.6	20,600				155
160	8.8	161.0	18,700 *	24.1	198.1	20,400 *	29.8	210.2	21,600 *	37.4	224.1	23,700	43.7	233.1	21,700	49.2	238.5	19,700				160
170				11.6	167.0	19,000 *	20.8	189.0	20,000 *	30.5	209.3	21,700	37.9	221.5	19,900	43.9	229.0	18,100				170
180										21.9	189.0	20,000	31.1	207.0	18,300	38.1	217.5	16,600	43.9	223.6	15,000	180
190										6.0	148.7	18,500	22.7	187.2	16,900	31.4	203.1	15,300	38.1	212.1	13,800	190
200													8.3	151.2	15,600	23.1	183.7	14,100	31.4	197.6	12,700	200
210																9.3	149.2	13,000	23.0	178.2	11,700	210
220																			9.2	143.6	10,700	220



Liftcrane Luffing Jib Capacities

888 SERIES 2

Luffing Jib No. 135 On Boom No. 22EL
 179,100 Lb. Crane Counterweight
 44,000 Lb. Carbody Counterweight
 28 Ft. 2 in. Crawlers Extended
 360 Degree Rating

Designed And Tested
 With The Intent To Be In
 The Scope of ANSI B30.5

130 Ft. Boom, 160 Ft. Jib

Jib Oper. Rad. Feet	88 Degree Boom Angle			83 Degree Boom Angle			80 Degree Boom Angle			75 Degree Boom Angle			70 Degree Boom Angle			65 Degree Boom Angle			60 Degree Boom Angle			Jib Oper. Rad. Feet
	Jib Ang. Deg.	Jib Point Elev. Feet	Luffing Jib Capacity Pounds	Jib Ang. Deg.	Jib Point Elev. Feet	Luffing Jib Capacity Pounds	Jib Ang. Deg.	Jib Point Elev. Feet	Luffing Jib Capacity Pounds	Jib Ang. Deg.	Jib Point Elev. Feet	Luffing Jib Capacity Pounds	Jib Ang. Deg.	Jib Point Elev. Feet	Luffing Jib Capacity Pounds	Jib Ang. Deg.	Jib Point Elev. Feet	Luffing Jib Capacity Pounds	Jib Ang. Deg.	Jib Point Elev. Feet	Luffing Jib Capacity Pounds	
55	74.3	292.0	40,300 *																			55
60	72.5	290.5	38,700 *																			60
65	70.6	288.8	37,100 *																			65
70	68.7	286.9	35,600 *																			70
75	66.7	284.9	34,100 *																			75
80	64.8	282.6	32,600 *	69.2	286.4	36,100 *																80
85	62.8	280.2	31,200 *	67.2	284.4	34,700 *																85
90	60.7	277.5	29,800 *	65.3	282.2	33,200 *	67.9	283.9	34,900 *													90
95	58.7	274.6	28,500 *	63.3	279.7	31,900 *	65.9	281.8	33,600 *													95
100	56.5	271.4	27,200 *	61.3	277.1	30,500 *	64.0	279.5	32,300 *													100
105	54.4	268.0	26,000 *	59.2	274.3	29,100 *	62.0	276.9	30,900 *													105
110	52.1	264.2	24,800 *	57.1	271.2	27,900 *	59.9	274.1	29,600 *													110
115	49.8	260.2	23,700 *	54.9	267.8	26,600 *	57.8	271.1	28,300 *	62.4	274.8	30,800 *										115
120	47.4	255.8	22,600 *	52.7	264.1	25,400 *	55.7	267.8	27,100 *	60.3	272.1	29,600 *										120
125	45.0	251.0	21,500 *	50.4	260.2	24,200 *	53.5	264.3	25,900 *	58.3	269.1	28,400 *										125
130	42.4	245.7	20,500 *	48.1	255.9	23,100 *	51.2	260.4	24,700 *	56.1	265.9	27,300 *										130
135	39.6	240.0	19,600 *	45.6	251.2	22,100 *	48.9	256.2	23,600 *	53.9	262.4	26,100 *										135
140	36.7	233.6	18,700 *	43.0	246.0	21,000 *	46.5	251.7	22,500 *	51.7	258.6	25,000 *	56.5	262.8	25,600							140
145	33.6	226.5	17,800 *	40.4	240.4	20,100 *	43.9	246.7	21,500 *	49.4	254.5	23,900 *	54.3	259.4	24,400							145
150	30.2	218.5	17,000 *	37.5	234.2	19,200 *	41.3	241.3	20,500 *	47.0	250.0	22,800 *	52.0	255.6	23,300							150
155	26.5	209.3	16,300 *	34.5	227.4	18,300 *	38.5	235.3	19,600 *	44.5	245.1	21,800 *	49.7	251.5	22,300							155
160	22.1	198.2	15,600 *	31.2	219.6	17,400 *	35.5	228.7	18,700 *	41.9	239.8	20,800 *	47.3	247.1	21,300	52.2	251.4	19,300				160
170	8.6	161.7	14,500 *	23.3	200.2	15,900 *	28.8	212.8	17,000 *	36.2	227.5	18,900 *	42.3	237.1	19,500	47.5	243.0	17,700				170
180				11.3	168.0	14,700 *	20.1	190.8	15,600 *	29.6	212.0	17,300 *	36.6	224.9	18,000	42.5	233.0	16,200	47.5	237.5	14,600	180
190										21.2	190.9	15,800 *	30.1	209.7	16,600	36.9	220.9	15,000	42.5	227.5	13,400	190
200										5.8	149.2	14,700 *	21.9	189.2	15,300	30.4	205.9	13,800	36.8	215.5	12,300	200
210													8.1	151.9	14,100	22.3	185.7	12,700	30.4	200.4	11,300	210
220																9.0	150.0	11,700	22.3	180.2	10,400	220
230																			9.0	144.4	9,600	230



Liftcrane Luffing Jib Capacities

888 SERIES 2

Luffing Jib No. 135 On Boom No. 22EL
 179,100 Lb. Crane Counterweight
 44,000 Lb. Carbody Counterweight
 28 Ft. 2 in. Crawlers Extended
 360 Degree Rating

Designed And Tested
 With The Intent To Be In
 The Scope of ANSI B30.5

130 Ft. Boom, 170 Ft. Jib

Jib Oper. Rad. Feet	88 Degree Boom Angle			83 Degree Boom Angle			80 Degree Boom Angle			75 Degree Boom Angle			70 Degree Boom Angle			65 Degree Boom Angle			60 Degree Boom Angle			Jib Oper. Rad. Feet
	Jib Ang. Deg.	Jib Point Elev. Feet	Luffing Jib Capacity Pounds	Jib Ang. Deg.	Jib Point Elev. Feet	Luffing Jib Capacity Pounds	Jib Ang. Deg.	Jib Point Elev. Feet	Luffing Jib Capacity Pounds	Jib Ang. Deg.	Jib Point Elev. Feet	Luffing Jib Capacity Pounds	Jib Ang. Deg.	Jib Point Elev. Feet	Luffing Jib Capacity Pounds	Jib Ang. Deg.	Jib Point Elev. Feet	Luffing Jib Capacity Pounds	Jib Ang. Deg.	Jib Point Elev. Feet	Luffing Jib Capacity Pounds	
55	75.3	302.3	37,200 *																			55
60	73.5	300.9	35,700 *																			60
65	71.8	299.4	34,300 *																			65
70	70.0	297.6	32,800 *																			70
75	68.2	295.7	31,400 *																			75
80	66.3	293.6	30,000 *	70.4	297.0	33,200 *																80
85	64.5	291.3	28,700 *	68.6	295.1	31,900 *																85
90	62.6	288.9	27,400 *	66.8	293.1	30,500 *																90
95	60.7	286.2	26,100 *	65.0	290.9	29,200 *	67.4	292.7	30,800 *													95
100	58.7	283.2	24,900 *	63.1	288.4	27,900 *	65.6	290.5	29,500 *													100
105	56.7	280.1	23,700 *	61.2	285.8	26,700 *	63.7	288.2	28,300 *													105
110	54.7	276.7	22,600 *	59.2	282.9	25,400 *	61.8	285.6	27,100 *													110
115	52.6	273.0	21,500 *	57.3	279.8	24,200 *	59.9	282.8	25,900 *													115
120	50.5	269.0	20,400 *	55.2	276.5	23,100 *	58.0	279.8	24,700 *	62.2	283.5	27,000 *										120
125	48.2	264.7	19,400 *	53.2	272.9	22,000 *	55.9	276.5	23,500 *	60.3	280.8	25,900 *										125
130	45.9	260.1	18,400 *	51.0	269.0	20,900 *	53.9	273.0	22,400 *	58.4	277.8	24,800 *										130
135	43.5	255.0	17,500 *	48.8	264.8	19,900 *	51.8	269.2	21,300 *	56.4	274.6	23,700 *										135
140	41.0	249.5	16,600 *	46.5	260.2	18,900 *	49.6	265.1	20,300 *	54.3	271.1	22,600 *										140
145	38.4	243.5	15,800 *	44.2	255.3	17,900 *	47.3	260.7	19,300 *	52.2	267.4	21,500 *	56.7	271.5	23,500 *							145
150	35.6	236.9	15,000 *	41.7	249.9	17,000 *	45.0	255.9	18,300 *	50.0	263.4	20,500 *	54.6	268.1	22,500 *							150
155	32.6	229.5	14,300 *	39.1	244.0	16,200 *	42.6	250.7	17,400 *	47.8	259.0	19,500 *	52.5	264.4	21,500 *							155
160	29.3	221.2	13,500 *	36.3	237.6	15,400 *	40.0	245.0	16,600 *	45.5	254.3	18,600 *	50.4	260.4	20,600 *							160
170	21.5	200.1	12,000 *	30.2	222.3	13,900 *	34.4	231.8	14,900 *	40.5	243.6	16,800 *	45.8	251.4	18,700 *	50.5	256.2	17,400				170
180	8.3	162.5	10,500 *	22.6	202.2	12,300 *	27.9	215.3	13,500 *	35.0	230.7	15,200 *	40.9	240.8	17,000 *	46.0	247.3	16,000				180
190				10.9	169.0	10,700 *	19.5	192.6	11,800 *	28.7	214.6	13,700 *	35.5	228.1	15,300 *	41.1	236.8	14,700	46.0	241.9	13,100	190
200										20.6	192.7	12,000 *	29.2	212.3	13,900 *	35.7	224.2	13,500	41.1	231.3	12,000	200
210										5.6	149.7	10,500 *	21.3	191.1	12,100 *	29.5	208.5	12,500	35.7	218.7	11,100	210
220													7.8	152.6	10,600 *	21.6	187.6	11,500	29.4	203.1	10,200	220
230																8.8	150.8	10,600	21.6	182.1	9,400	230
240																			8.7	145.2	8,600	240



Liftcrane Luffing Jib Capacities

888 SERIES 2

Luffing Jib No. 135 On Boom No. 22EL
 179,100 Lb. Crane Counterweight
 44,000 Lb. Carbody Counterweight
 28 Ft. 2 in. Crawlers Extended
 360 Degree Rating

Designed And Tested
 With The Intent To Be In
 The Scope of ANSI B30.5

140 Ft. Boom, 70 Ft. Jib

Jib Oper. Rad. Feet	88 Degree Boom Angle			83 Degree Boom Angle			80 Degree Boom Angle			75 Degree Boom Angle			70 Degree Boom Angle			65 Degree Boom Angle			60 Degree Boom Angle			Jib Oper. Rad. Feet
	Jib Ang. Deg.	Jib Point Elev. Feet	Luffing Jib Capacity Pounds	Jib Ang. Deg.	Jib Point Elev. Feet	Luffing Jib Capacity Pounds	Jib Ang. Deg.	Jib Point Elev. Feet	Luffing Jib Capacity Pounds	Jib Ang. Deg.	Jib Point Elev. Feet	Luffing Jib Capacity Pounds	Jib Ang. Deg.	Jib Point Elev. Feet	Luffing Jib Capacity Pounds	Jib Ang. Deg.	Jib Point Elev. Feet	Luffing Jib Capacity Pounds	Jib Ang. Deg.	Jib Point Elev. Feet	Luffing Jib Capacity Pounds	
45	62.0	209.7	98,000 *b																			45
50	57.3	206.8	93,900 *b																			50
55	52.2	203.2	90,300 *b																			55
60	46.9	199.0	87,100 *	59.3	207.0	94,900 b																60
65	41.0	193.8	81,000 *	54.4	203.7	85,800 b	61.4	207.0	82,400 b													65
70	34.2	187.3	73,500 *	49.2	199.8	78,300	56.7	204.0	75,200 b													70
75	26.1	178.7	66,000 *	43.6	195.0	71,900	51.6	200.4	69,000 b													75
80	14.2	165.1	51,800 *	37.3	189.1	66,300	46.2	196.1	63,700	58.5	202.4	59,400 b										80
85				29.9	181.6	61,500	40.2	190.7	59,100	53.5	199.0	55,100 b										85
90				20.2	170.9	57,300	33.3	184.0	55,100	48.3	195.0	51,300										90
95							24.9	175.1	51,500	42.5	190.0	48,000	55.1	196.3	44,500 b							95
100							12.0	160.1	48,200	36.1	183.9	45,000	50.0	192.5	41,700							100
105										28.4	176.0	42,300	44.4	187.8	39,300							105
110										18.0	164.3	39,900	38.2	182.2	37,000	51.3	188.6	34,100 b				110
115													31.0	174.9	35,000	45.8	184.2	32,300				115
120													21.8	164.8	33,100	39.8	178.8	30,600				120
125																32.9	172.0	29,000	46.7	179.1	26,600	125
130																24.3	162.8	27,500	40.7	173.9	25,300	130
135																10.6	146.9	26,100	34.0	167.3	24,000	135
140																			25.7	158.6	22,800	140
145																			13.6	144.6	21,700	145



Liftcrane Luffing Jib Capacities

888 SERIES 2

Luffing Jib No. 135 On Boom No. 22EL
 179,100 Lb. Crane Counterweight
 44,000 Lb. Carbody Counterweight
 28 Ft. 2 in. Crawlers Extended
 360 Degree Rating

Designed And Tested
 With The Intent To Be In
 The Scope of ANSI B30.5

140 Ft. Boom, 80 Ft. Jib

Jib Oper. Rad. Feet	88 Degree Boom Angle			83 Degree Boom Angle			80 Degree Boom Angle			75 Degree Boom Angle			70 Degree Boom Angle			65 Degree Boom Angle			60 Degree Boom Angle			Jib Oper. Rad. Feet
	Jib Ang. Deg.	Jib Point Elev. Feet	Luffing Jib Capacity Pounds	Jib Ang. Deg.	Jib Point Elev. Feet	Luffing Jib Capacity Pounds	Jib Ang. Deg.	Jib Point Elev. Feet	Luffing Jib Capacity Pounds	Jib Ang. Deg.	Jib Point Elev. Feet	Luffing Jib Capacity Pounds	Jib Ang. Deg.	Jib Point Elev. Feet	Luffing Jib Capacity Pounds	Jib Ang. Deg.	Jib Point Elev. Feet	Luffing Jib Capacity Pounds	Jib Ang. Deg.	Jib Point Elev. Feet	Luffing Jib Capacity Pounds	
45	65.7	220.8	87,700 *b																			45
50	61.8	218.4	84,000 *b																			50
55	57.6	215.5	80,600 *b	67.4	220.6	90,800 *b																55
60	53.3	212.0	77,300 *	63.5	218.3	87,200 *b																60
65	48.6	207.9	74,300 *	59.4	215.6	83,600 *b	65.3	218.2	82,100 b													65
70	43.7	203.1	71,700 *	55.2	212.4	78,000	61.3	215.7	74,800 b													70
75	38.2	197.4	67,700 *	50.7	208.6	71,600	57.1	212.7	68,700 b													75
80	32.0	190.3	62,100 *	45.9	204.2	66,100	52.7	209.2	63,400	62.8	213.9	58,900 b										80
85	24.4	180.9	56,400 *	40.6	198.9	61,300	48.1	205.1	58,800	58.7	211.1	54,700 b										85
90	13.3	166.3	45,000 *	34.8	192.4	57,200	43.0	200.1	54,800	54.4	207.7	50,900										90
95				27.9	184.2	53,400	37.5	194.2	51,300	49.8	203.9	47,600										95
100				18.9	172.6	50,100	31.1	186.9	48,100	45.0	199.3	44,700	55.8	205.0	41,300							100
105							23.3	177.2	45,200	39.7	193.8	42,000	51.3	201.3	38,900							105
110							11.2	161.1	42,600	33.7	187.1	39,700	46.6	196.9	36,700							110
115										26.5	178.4	37,500	41.4	191.8	34,600	52.4	197.4	31,800				115
120										16.8	165.8	35,500	35.7	185.5	32,800	47.7	193.2	30,200				120
125													29.0	177.6	31,100	42.7	188.3	28,600				125
130													20.4	166.7	29,500	37.1	182.3	27,200				130
135																30.7	174.8	25,800	43.5	183.2	23,600	135
140																22.7	164.9	24,600	38.0	177.4	22,500	140
145																10.0	147.8	23,400	31.7	170.2	21,400	145
150																			24.1	160.8	20,400	150
155																			12.7	145.7	19,400	155



Liftcrane Luffing Jib Capacities

888 SERIES 2

Luffing Jib No. 135 On Boom No. 22EL
 179,100 Lb. Crane Counterweight
 44,000 Lb. Carbody Counterweight
 28 Ft. 2 in. Crawlers Extended
 360 Degree Rating

Designed And Tested
 With The Intent To Be In
 The Scope of ANSI B30.5

140 Ft. Boom, 90 Ft. Jib

Jib Oper. Rad. Feet	88 Degree Boom Angle			83 Degree Boom Angle			80 Degree Boom Angle			75 Degree Boom Angle			70 Degree Boom Angle			65 Degree Boom Angle			60 Degree Boom Angle			Jib Oper. Rad. Feet
	Jib Ang. Deg.	Jib Point Elev. Feet	Luffing Jib Capacity Pounds	Jib Ang. Deg.	Jib Point Elev. Feet	Luffing Jib Capacity Pounds	Jib Ang. Deg.	Jib Point Elev. Feet	Luffing Jib Capacity Pounds	Jib Ang. Deg.	Jib Point Elev. Feet	Luffing Jib Capacity Pounds	Jib Ang. Deg.	Jib Point Elev. Feet	Luffing Jib Capacity Pounds	Jib Ang. Deg.	Jib Point Elev. Feet	Luffing Jib Capacity Pounds	Jib Ang. Deg.	Jib Point Elev. Feet	Luffing Jib Capacity Pounds	
45	68.6	231.7	79,400 *b																			45
50	65.1	229.6	76,100 *b																			50
55	61.6	227.0	73,100 *	70.1	231.4	82,000 *b																55
60	57.9	224.1	70,200 *	66.6	229.4	78,800 *b																60
65	54.0	220.7	67,500 *	63.1	227.0	75,800 *b																65
70	50.0	216.8	65,100 *	59.5	224.3	73,000 *	64.7	226.9	74,600 b													70
75	45.7	212.3	62,900 *	55.7	221.1	70,300 *	61.1	224.4	68,500													75
80	41.1	207.0	60,800 *	51.8	217.4	65,900	57.4	221.4	63,200													80
85	35.9	200.7	57,200 *	47.6	213.2	61,200	53.5	217.9	58,600	62.5	222.5	54,400 b										85
90	30.1	193.0	53,000 *	43.1	208.3	57,000	49.5	214.0	54,600	58.8	219.7	50,700										90
95	23.0	183.0	49,300 *	38.2	202.4	53,300	45.1	209.4	51,100	55.0	216.5	47,400										95
100	12.5	167.4	40,000 *	32.7	195.4	50,000	40.5	204.0	48,000	51.0	212.7	44,500										100
105				26.3	186.6	47,100	35.3	197.5	45,100	46.8	208.3	41,800	56.2	213.7	38,600							105
110				17.8	174.2	44,400	29.3	189.6	42,600	42.3	203.3	39,500	52.3	210.1	36,400							110
115							22.0	179.2	40,200	37.3	197.3	37,300	48.2	205.9	34,400							115
120							10.6	162.1	38,100	31.7	190.0	35,400	43.8	201.1	32,600							120
125										25.0	180.7	33,500	38.9	195.4	30,900	49.2	202.1	28,400				125
130										15.8	167.2	31,800	33.6	188.6	29,400	44.9	197.5	26,900				130
135													27.3	180.1	28,000	40.1	192.0	25,600				135
140													19.2	168.4	26,600	34.9	185.5	24,400	45.5	192.4	22,200	140
145																28.9	177.5	23,300	40.9	187.1	21,200	145
150																21.4	166.8	22,200	35.7	180.8	20,200	150
155																9.4	148.7	21,200	29.9	173.0	19,300	155
160																			22.7	162.9	18,400	160



Liftcrane Luffing Jib Capacities

888 SERIES 2

Luffing Jib No. 135 On Boom No. 22EL
 179,100 Lb. Crane Counterweight
 44,000 Lb. Carbody Counterweight
 28 Ft. 2 in. Crawlers Extended
 360 Degree Rating

Designed And Tested
 With The Intent To Be In
 The Scope of ANSI B30.5

140 Ft. Boom, 100 Ft. Jib

Jib Oper. Rad. Feet	88 Degree Boom Angle			83 Degree Boom Angle			80 Degree Boom Angle			75 Degree Boom Angle			70 Degree Boom Angle			65 Degree Boom Angle			60 Degree Boom Angle			Jib Oper. Rad. Feet
	Jib Ang. Deg.	Jib Point Elev. Feet	Luffing Jib Capacity Pounds	Jib Ang. Deg.	Jib Point Elev. Feet	Luffing Jib Capacity Pounds	Jib Ang. Deg.	Jib Point Elev. Feet	Luffing Jib Capacity Pounds	Jib Ang. Deg.	Jib Point Elev. Feet	Luffing Jib Capacity Pounds	Jib Ang. Deg.	Jib Point Elev. Feet	Luffing Jib Capacity Pounds	Jib Ang. Deg.	Jib Point Elev. Feet	Luffing Jib Capacity Pounds	Jib Ang. Deg.	Jib Point Elev. Feet	Luffing Jib Capacity Pounds	
45	70.8	242.4	74,200 *b																			45
50	67.7	240.5	71,000 *b																			50
55	64.6	238.3	68,000 *																			55
60	61.4	235.7	65,200 *	69.1	240.2	73,200 *b																60
65	58.1	232.8	62,600 *	66.0	238.1	70,400 *b																65
70	54.6	229.5	60,100 *	62.8	235.7	67,600 *	67.4	237.9	71,500 *b													70
75	51.0	225.7	57,800 *	59.5	232.9	65,000 *	64.2	235.6	68,100													75
80	47.3	221.4	55,700 *	56.1	229.8	62,500 *	61.0	233.0	62,800													80
85	43.2	216.4	53,700 *	52.6	226.2	60,100 *	57.7	230.1	58,300													85
90	38.9	210.7	51,900 *	48.9	222.1	56,700	54.2	226.7	54,300	62.2	231.2	50,300										90
95	34.0	203.9	49,000 *	45.0	217.5	53,100	50.6	222.8	50,800	58.9	228.4	47,000										95
100	28.5	195.7	45,700 *	40.8	212.1	49,800	46.8	218.4	47,600	55.5	225.2	44,100										100
105	21.8	185.0	42,800 *	36.2	205.8	46,900	42.7	213.4	44,800	52.0	221.5	41,500										105
110	11.9	168.5	35,600 *	31.0	198.3	44,200	38.3	207.5	42,300	48.2	217.3	39,100	56.6	222.4	36,000							110
115				24.9	188.9	41,800	33.4	200.6	40,000	44.3	212.5	37,000	53.1	218.9	34,000							115
120				16.9	175.7	39,600	27.8	192.2	37,900	40.0	207.0	35,000	49.5	214.8	32,200							120
125							20.8	181.1	35,900	35.3	200.5	33,200	45.6	210.3	30,600							125
130							10.0	163.0	34,100	30.0	192.7	31,600	41.4	205.0	29,000	50.4	211.0	26,500				130
135										23.7	182.9	30,100	36.9	198.9	27,600	46.5	206.6	25,200				135
140										15.0	168.6	28,600	31.8	191.5	26,300	42.4	201.5	24,000				140
145													25.8	182.4	25,100	38.0	195.6	22,900	47.1	201.5	20,800	145
150													18.2	170.1	24,000	33.1	188.6	21,900	43.1	196.5	19,800	150
155																27.4	180.0	20,900	38.7	190.7	18,900	155
160																33.8	183.9	20,000	33.8	183.9	18,100	160
170																20.3	168.7	20,000	21.5	164.8	16,500	170



Liftcrane Luffing Jib Capacities

888 SERIES 2

Luffing Jib No. 135 On Boom No. 22EL
 179,100 Lb. Crane Counterweight
 44,000 Lb. Carbody Counterweight
 28 Ft. 2 in. Crawlers Extended
 360 Degree Rating

Designed And Tested
 With The Intent To Be In
 The Scope of ANSI B30.5

140 Ft. Boom, 110 Ft. Jib

Jib Oper. Rad. Feet	88 Degree Boom Angle			83 Degree Boom Angle			80 Degree Boom Angle			75 Degree Boom Angle			70 Degree Boom Angle			65 Degree Boom Angle			60 Degree Boom Angle			Jib Oper. Rad. Feet
	Jib Ang. Deg.	Jib Point Elev. Feet	Luffing Jib Capacity Pounds	Jib Ang. Deg.	Jib Point Elev. Feet	Luffing Jib Capacity Pounds	Jib Ang. Deg.	Jib Point Elev. Feet	Luffing Jib Capacity Pounds	Jib Ang. Deg.	Jib Point Elev. Feet	Luffing Jib Capacity Pounds	Jib Ang. Deg.	Jib Point Elev. Feet	Luffing Jib Capacity Pounds	Jib Ang. Deg.	Jib Point Elev. Feet	Luffing Jib Capacity Pounds	Jib Ang. Deg.	Jib Point Elev. Feet	Luffing Jib Capacity Pounds	
45	72.6	252.9	69,300 *b																			45
50	69.9	251.2	66,800 *b																			50
55	67.1	249.2	64,500 *																			55
60	64.2	246.9	62,200 *																			60
65	61.3	244.4	60,000 *	68.3	248.9	66,300 *																65
70	58.3	241.5	57,800 *	65.4	246.8	64,200 *																70
75	55.1	238.2	55,700 *	62.6	244.4	62,000 *	66.7	246.6	64,900 *													75
80	51.9	234.5	53,600 *	59.6	241.6	59,800 *	63.9	244.3	62,800													80
85	48.5	230.3	51,700 *	56.5	238.5	57,600 *	60.9	241.7	58,200													85
90	44.9	225.6	50,000 *	53.3	235.0	55,600 *	57.9	238.7	54,300													90
95	41.1	220.2	48,300 *	50.0	231.0	53,000	54.8	235.4	50,700	62.0	239.9	47,000										95
100	37.0	214.1	45,600 *	46.5	226.6	49,800	51.5	231.6	47,600	59.0	237.0	44,000										100
105	32.4	206.9	42,700 *	42.8	221.5	46,900	48.1	227.4	44,800	55.9	233.9	41,400										105
110	27.2	198.1	40,100 *	38.8	215.7	44,200	44.5	222.6	42,300	52.7	230.3	39,100										110
115	20.7	186.9	37,800 *	34.5	209.0	41,800	40.6	217.2	40,000	49.4	226.2	37,000	56.9	231.1	34,000							115
120	11.3	169.5	32,700 *	29.5	201.0	39,600	36.5	210.9	37,900	45.9	221.7	35,000	53.8	227.6	32,200							120
125				23.7	191.0	37,600	31.8	203.5	36,000	42.1	216.5	33,200	50.5	223.7	30,500							125
130				16.1	177.2	35,800	26.5	194.6	34,200	38.1	210.6	31,600	47.0	219.3	29,000							130
135							19.8	182.9	32,600	33.6	203.6	30,100	43.3	214.4	27,600	51.3	219.8	25,200				135
140							9.6	163.8	31,000	28.6	195.3	28,700	39.4	208.7	26,300	47.9	215.6	24,000				140
145										22.5	184.9	27,400	35.1	202.1	25,100	44.2	210.8	22,900				145
150										14.3	169.9	26,200	30.3	194.3	24,000	40.4	205.3	21,900				150
155													24.6	184.7	23,000	36.2	198.9	20,900	44.8	205.7	18,900	155
160													17.3	171.6	22,000	31.5	191.5	20,000	41.0	200.3	18,100	160
170																19.3	170.4	18,300	32.2	186.9	16,600	170
180																			20.5	166.7	15,200	180



Liftcrane Luffing Jib Capacities

888 SERIES 2

Luffing Jib No. 135 On Boom No. 22EL
 179,100 Lb. Crane Counterweight
 44,000 Lb. Carbody Counterweight
 28 Ft. 2 in. Crawlers Extended
 360 Degree Rating

Designed And Tested
 With The Intent To Be In
 The Scope of ANSI B30.5

140 Ft. Boom, 120 Ft. Jib

Jib Oper. Rad. Feet	88 Degree Boom Angle			83 Degree Boom Angle			80 Degree Boom Angle			75 Degree Boom Angle			70 Degree Boom Angle			65 Degree Boom Angle			60 Degree Boom Angle			Jib Oper. Rad. Feet
	Jib Ang. Deg.	Jib Point Elev. Feet	Luffing Jib Capacity Pounds	Jib Ang. Deg.	Jib Point Elev. Feet	Luffing Jib Capacity Pounds	Jib Ang. Deg.	Jib Point Elev. Feet	Luffing Jib Capacity Pounds	Jib Ang. Deg.	Jib Point Elev. Feet	Luffing Jib Capacity Pounds	Jib Ang. Deg.	Jib Point Elev. Feet	Luffing Jib Capacity Pounds	Jib Ang. Deg.	Jib Point Elev. Feet	Luffing Jib Capacity Pounds	Jib Ang. Deg.	Jib Point Elev. Feet	Luffing Jib Capacity Pounds	
45	74.1	263.3	56,400 *b																			45
50	71.6	261.8	55,300 *b																			50
55	69.1	260.0	54,300 *																			55
60	66.5	257.9	53,200 *																			60
65	63.9	255.6	51,200 *	70.2	259.6	55,600 *																65
70	61.2	253.0	49,300 *	67.6	257.7	54,500 *																70
75	58.4	250.1	47,400 *	65.0	255.5	52,600 *																75
80	55.6	246.9	45,600 *	62.3	253.0	50,800 *	66.2	255.3	53,300 *													80
85	52.6	243.3	43,900 *	59.6	250.3	48,800 *	63.5	253.0	51,500 *													85
90	49.5	239.2	42,300 *	56.8	247.2	47,000 *	60.8	250.3	49,700 *													90
95	46.3	234.7	40,800 *	53.9	243.7	45,200 *	58.1	247.4	47,900 *													95
100	42.9	229.6	39,300 *	50.9	239.9	43,600 *	55.2	244.1	46,200 *	61.9	248.5	43,700										100
105	39.3	223.9	38,000 *	47.7	235.6	42,000 *	52.2	240.4	44,500	59.1	245.7	41,100										105
110	35.4	217.3	36,800 *	44.4	230.7	40,600 *	49.2	236.3	42,000	56.3	242.5	38,700										110
115	31.0	209.7	35,700 *	40.9	225.3	39,200 *	45.9	231.8	39,700	53.4	239.0	36,600										115
120	26.0	200.5	34,400 *	37.1	219.1	37,900 *	42.5	226.6	37,600	50.3	235.1	34,700	57.2	239.7	31,800							120
125	19.9	188.7	32,700 *	32.9	212.0	36,700 *	38.8	220.8	35,700	47.2	230.7	32,900	54.3	236.3	30,100							125
130	10.8	170.4	28,900 *	28.3	203.6	35,600	34.9	214.1	34,000	43.8	225.8	31,300	51.3	232.5	28,600							130
135				22.7	193.1	33,900	30.4	206.3	32,300	40.2	220.2	29,800	48.2	228.3	27,200							135
140				15.4	178.6	32,300	25.3	196.9	30,800	36.4	213.9	28,400	44.9	223.6	26,000	52.1	228.6	23,600				140
145							19.0	184.6	29,400	32.2	206.6	27,100	41.4	218.2	24,800	49.0	224.5	22,500				145
150							9.1	164.6	28,100	27.3	197.8	25,900	37.7	212.2	23,700	45.7	219.9	21,500				150
155										21.6	186.8	24,800	33.6	205.2	22,600	42.3	214.7	20,500				155
160										13.7	171.1	23,700	29.0	196.9	21,700	38.6	208.9	19,600	46.2	214.8	17,700	160
170													16.6	173.1	19,900	30.1	194.2	18,000	39.2	204.0	16,200	170
180																18.5	172.1	16,500	30.8	189.7	14,800	180
190																			19.6	168.4	13,600	190



Liftcrane Luffing Jib Capacities

888 SERIES 2

Luffing Jib No. 135 On Boom No. 22EL
 179,100 Lb. Crane Counterweight
 44,000 Lb. Carbody Counterweight
 28 Ft. 2 in. Crawlers Extended
 360 Degree Rating

Designed And Tested
 With The Intent To Be In
 The Scope of ANSI B30.5

140 Ft. Boom, 130 Ft. Jib

Jib Oper. Rad. Feet	88 Degree Boom Angle			83 Degree Boom Angle			80 Degree Boom Angle			75 Degree Boom Angle			70 Degree Boom Angle			65 Degree Boom Angle			60 Degree Boom Angle			Jib Oper. Rad. Feet
	Jib Ang. Deg.	Jib Point Elev. Feet	Luffing Jib Capacity Pounds	Jib Ang. Deg.	Jib Point Elev. Feet	Luffing Jib Capacity Pounds	Jib Ang. Deg.	Jib Point Elev. Feet	Luffing Jib Capacity Pounds	Jib Ang. Deg.	Jib Point Elev. Feet	Luffing Jib Capacity Pounds	Jib Ang. Deg.	Jib Point Elev. Feet	Luffing Jib Capacity Pounds	Jib Ang. Deg.	Jib Point Elev. Feet	Luffing Jib Capacity Pounds	Jib Ang. Deg.	Jib Point Elev. Feet	Luffing Jib Capacity Pounds	
45	75.4	273.7	52,800 *b																			45
50	73.1	272.3	51,800 *																			50
55	70.7	270.6	50,900 *																			55
60	68.4	268.8	49,200 *																			60
65	66.0	266.7	47,400 *																			65
70	63.6	264.3	45,600 *	69.4	268.5	50,300 *																70
75	61.1	261.7	43,900 *	67.0	266.5	48,600 *																75
80	58.5	258.8	42,300 *	64.6	264.2	46,900 *																80
85	55.9	255.6	40,700 *	62.2	261.7	45,200 *	65.7	264.0	47,500 *													85
90	53.2	252.0	39,200 *	59.6	258.9	43,600 *	63.3	261.7	45,900 *													90
95	50.4	248.1	37,800 *	57.1	255.8	42,000 *	60.8	259.0	44,300 *													95
100	47.5	243.7	36,400 *	54.4	252.4	40,500 *	58.2	256.1	42,800 *													100
105	44.4	238.9	35,100 *	51.6	248.7	38,900 *	55.6	252.8	41,300 *	61.7	257.2	40,800										105
110	41.2	233.5	33,800 *	48.8	244.5	37,500 *	52.9	249.2	39,800 *	59.2	254.4	38,400										110
115	37.7	227.4	32,700 *	45.8	239.9	36,200 *	50.1	245.2	38,400 *	56.6	251.2	36,300										115
120	33.9	220.5	31,600 *	42.6	234.7	34,900 *	47.1	240.8	37,000 *	53.9	247.8	34,400										120
125	29.8	212.4	30,600 *	39.2	229.0	33,700 *	44.0	235.9	35,500	51.1	243.9	32,600	57.4	248.4	29,800							125
130	25.0	202.7	29,700 *	35.6	222.4	32,600 *	40.8	230.4	33,800	48.2	239.7	31,000	54.8	245.0	28,400							130
135	19.1	190.4	28,700 *	31.6	214.9	31,500 *	37.3	224.2	32,100	45.2	235.0	29,500	52.0	241.3	27,000							135
140	10.4	171.4	26,200 *	27.1	206.0	30,500 *	33.4	217.2	30,700	42.0	229.7	28,200	49.2	237.2	25,700							140
145				21.8	195.0	29,700 *	29.2	209.0	29,300	38.6	223.8	26,900	46.2	232.7	24,500	52.7	237.4	22,200				145
150				14.8	179.9	29,000 *	24.3	199.1	28,000	34.9	217.1	25,700	43.0	227.6	23,400	49.9	233.4	21,200				150
155							18.2	186.2	26,800	30.9	209.4	24,600	39.7	221.9	22,400	46.9	229.0	20,300				155
160							8.8	165.4	25,600	26.3	200.2	23,500	36.1	215.5	21,400	43.8	224.0	19,400				160
170										13.1	172.3	21,600	27.8	199.5	19,700	37.0	212.3	17,800	44.3	219.0	15,900	170
180													15.9	174.6	18,100	28.9	196.9	16,300	37.6	207.4	14,600	180
190																17.8	173.7	15,000	29.6	192.4	13,400	190
200																			18.8	170.1	12,300	200



Liftcrane Luffing Jib Capacities

888 SERIES 2

Luffing Jib No. 135 On Boom No. 22EL
 179,100 Lb. Crane Counterweight
 44,000 Lb. Carbody Counterweight
 28 Ft. 2 in. Crawlers Extended
 360 Degree Rating

Designed And Tested
 With The Intent To Be In
 The Scope of ANSI B30.5

140 Ft. Boom, 140 Ft. Jib

Jib Oper. Rad. Feet	88 Degree Boom Angle			83 Degree Boom Angle			80 Degree Boom Angle			75 Degree Boom Angle			70 Degree Boom Angle			65 Degree Boom Angle			60 Degree Boom Angle			Jib Oper. Rad. Feet
	Jib Ang. Deg.	Jib Point Elev. Feet	Luffing Jib Capacity Pounds	Jib Ang. Deg.	Jib Point Elev. Feet	Luffing Jib Capacity Pounds	Jib Ang. Deg.	Jib Point Elev. Feet	Luffing Jib Capacity Pounds	Jib Ang. Deg.	Jib Point Elev. Feet	Luffing Jib Capacity Pounds	Jib Ang. Deg.	Jib Point Elev. Feet	Luffing Jib Capacity Pounds	Jib Ang. Deg.	Jib Point Elev. Feet	Luffing Jib Capacity Pounds	Jib Ang. Deg.	Jib Point Elev. Feet	Luffing Jib Capacity Pounds	
50	74.3	282.7	48,300 *																			50
55	72.2	281.2	47,100 *																			55
60	70.0	279.5	45,300 *																			60
65	67.8	277.5	43,600 *																			65
70	65.6	275.4	42,000 *	70.9	279.1	46,200 *																70
75	63.3	273.0	40,300 *	68.8	277.2	44,600 *																75
80	61.0	270.4	38,800 *	66.6	275.2	43,000 *																80
85	58.6	267.4	37,200 *	64.3	272.9	41,500 *	67.5	274.9	43,500 *													85
90	56.2	264.3	35,800 *	62.0	270.4	39,900 *	65.3	272.8	42,000 *													90
95	53.7	260.7	34,400 *	59.7	267.6	38,400 *	63.0	270.3	40,600 *													95
100	51.1	256.9	33,000 *	57.3	264.5	36,900 *	60.7	267.7	39,100 *													100
105	48.4	252.7	31,700 *	54.8	261.1	35,500 *	58.3	264.7	37,700 *													105
110	45.7	248.0	30,500 *	52.3	257.5	34,100 *	55.9	261.5	36,200 *	61.6	265.9	38,100										110
115	42.7	242.9	29,300 *	49.6	253.4	32,800 *	53.4	257.9	34,800 *	59.2	263.0	35,900										115
120	39.6	237.2	28,200 *	46.9	248.9	31,500 *	50.8	254.1	33,500 *	56.8	259.9	34,000										120
125	36.3	230.7	27,200 *	44.0	244.0	30,300 *	48.1	249.8	32,200 *	54.4	256.5	32,300										125
130	32.7	223.5	26,200 *	41.0	238.5	29,100 *	45.3	245.1	31,000 *	51.8	252.7	30,700	57.6	257.1	27,900							130
135	28.6	215.0	25,200 *	37.7	232.5	28,000 *	42.3	239.9	29,800 *	49.1	248.6	29,200	55.1	253.7	26,600							135
140	24.0	204.9	24,400 *	34.3	225.6	27,000 *	39.2	234.1	28,700 *	46.4	244.1	27,800	52.6	250.1	25,300							140
145	18.4	192.0	23,700 *	30.4	217.7	26,000 *	35.9	227.6	27,600 *	43.5	239.0	26,500	50.0	246.1	24,100							145
150	10.0	172.3	23,100 *	26.1	208.4	25,100 *	32.2	220.1	26,600 *	40.4	233.5	25,400	47.3	241.7	23,000							150
155				21.0	196.9	24,300 *	28.1	211.5	25,700 *	37.1	227.3	24,300	44.4	236.8	22,000	50.6	242.2	19,800				155
160				14.2	181.2	23,600 *	23.4	201.2	24,800 *	33.6	220.2	23,200	41.4	231.5	21,100	47.9	237.9	19,000				160
170							8.5	166.2	23,300	25.3	202.5	21,300	34.8	218.7	19,300	42.2	228.0	17,400				170
180										12.7	173.4	19,600	26.8	201.9	17,800	35.6	215.6	16,000	42.6	223.0	14,200	180
190													15.4	175.9	16,400	27.8	199.4	14,700	36.1	210.8	13,000	190
200																17.1	175.2	13,500	28.5	195.0	12,000	200
210																			18.1	171.7	11,000	210



Liftcrane Luffing Jib Capacities

888 SERIES 2

Luffing Jib No. 135 On Boom No. 22EL
 179,100 Lb. Crane Counterweight
 44,000 Lb. Carbody Counterweight
 28 Ft. 2 in. Crawlers Extended
 360 Degree Rating

Designed And Tested
 With The Intent To Be In
 The Scope of ANSI B30.5

140 Ft. Boom, 150 Ft. Jib

Jib Oper. Rad. Feet	88 Degree Boom Angle			83 Degree Boom Angle			80 Degree Boom Angle			75 Degree Boom Angle			70 Degree Boom Angle			65 Degree Boom Angle			60 Degree Boom Angle			Jib Oper. Rad. Feet
	Jib Ang. Deg.	Jib Point Elev. Feet	Luffing Jib Capacity Pounds	Jib Ang. Deg.	Jib Point Elev. Feet	Luffing Jib Capacity Pounds	Jib Ang. Deg.	Jib Point Elev. Feet	Luffing Jib Capacity Pounds	Jib Ang. Deg.	Jib Point Elev. Feet	Luffing Jib Capacity Pounds	Jib Ang. Deg.	Jib Point Elev. Feet	Luffing Jib Capacity Pounds	Jib Ang. Deg.	Jib Point Elev. Feet	Luffing Jib Capacity Pounds	Jib Ang. Deg.	Jib Point Elev. Feet	Luffing Jib Capacity Pounds	
50	75.4	293.0	45,000 *																			50
55	73.4	291.7	43,500 *																			55
60	71.4	290.1	42,000 *																			60
65	69.4	288.3	40,400 *																			65
70	67.3	286.3	38,800 *																			70
75	65.2	284.1	37,300 *	70.2	287.9	41,200 *																75
80	63.1	281.7	35,800 *	68.2	286.0	39,700 *																80
85	60.9	279.0	34,300 *	66.1	283.9	38,200 *																85
90	58.7	276.1	32,900 *	64.0	281.6	36,800 *	67.1	283.7	38,600 *													90
95	56.5	272.9	31,600 *	61.9	279.0	35,300 *	65.0	281.5	37,300 *													95
100	54.1	269.5	30,300 *	59.7	276.2	33,900 *	62.8	279.0	35,900 *													100
105	51.7	265.7	29,000 *	57.5	273.2	32,500 *	60.7	276.3	34,500 *													105
110	49.3	261.6	27,800 *	55.2	269.9	31,200 *	58.5	273.4	33,200 *													110
115	46.7	257.1	26,600 *	52.8	266.2	29,900 *	56.2	270.2	31,900 *	61.5	274.5	34,600 *										115
120	44.0	252.1	25,500 *	50.4	262.3	28,700 *	53.9	266.7	30,600 *	59.3	271.7	33,400 *										120
125	41.2	246.7	24,500 *	47.8	257.9	27,500 *	51.5	262.9	29,400 *	57.0	268.6	32,200										125
130	38.2	240.7	23,500 *	45.2	253.2	26,400 *	49.0	258.7	28,200 *	54.7	265.2	30,600										130
135	35.0	234.0	22,500 *	42.4	248.0	25,300 *	46.4	254.1	27,000 *	52.4	261.5	29,100	57.8	265.7	26,500							135
140	31.5	226.3	21,600 *	39.5	242.2	24,200 *	43.7	249.2	25,900 *	49.9	257.5	27,700	55.5	262.4	25,200							140
145	27.7	217.5	20,800 *	36.4	235.8	23,300 *	40.8	243.7	24,800 *	47.4	253.1	26,500	53.1	258.9	24,000							145
150	23.2	207.0	20,000 *	33.1	228.6	22,300 *	37.8	237.6	23,800 *	44.7	248.3	25,300	50.7	254.9	22,900							150
155	17.7	193.6	19,400 *	29.4	220.3	21,400 *	34.6	230.7	22,900 *	41.9	243.0	24,200	48.2	250.7	21,900							155
160	9.7	173.1	18,800 *	25.2	210.7	20,600 *	31.1	223.0	21,900 *	39.0	237.1	23,100	45.6	246.0	21,000	51.3	251.1	18,900				160
170				13.7	182.4	19,300 *	22.6	203.2	20,300 *	32.4	223.2	21,300	39.9	235.2	19,300	46.2	242.3	17,300				170
180							8.2	166.9	19,100 *	24.4	204.7	19,600	33.6	221.8	17,700	40.7	231.7	15,900	46.6	237.2	14,100	180
190										12.2	174.5	18,100	25.8	204.2	16,300	34.4	218.7	14,600	41.1	226.8	12,900	190
200													14.8	177.3	15,100	26.9	201.8	13,500	34.9	214.0	11,900	200
210																16.5	176.7	12,400	27.5	197.5	10,900	210
220																			17.5	173.3	10,100	220



Liftcrane Luffing Jib Capacities

888 SERIES 2

Luffing Jib No. 135 On Boom No. 22EL
 179,100 Lb. Crane Counterweight
 44,000 Lb. Carbody Counterweight
 28 Ft. 2 in. Crawlers Extended
 360 Degree Rating

Designed And Tested
 With The Intent To Be In
 The Scope of ANSI B30.5

140 Ft. Boom, 160 Ft. Jib

Jib Oper. Rad. Feet	88 Degree Boom Angle			83 Degree Boom Angle			80 Degree Boom Angle			75 Degree Boom Angle			70 Degree Boom Angle			65 Degree Boom Angle			60 Degree Boom Angle			Jib Oper. Rad. Feet
	Jib Ang. Deg.	Jib Point Elev. Feet	Luffing Jib Capacity Pounds	Jib Ang. Deg.	Jib Point Elev. Feet	Luffing Jib Capacity Pounds	Jib Ang. Deg.	Jib Point Elev. Feet	Luffing Jib Capacity Pounds	Jib Ang. Deg.	Jib Point Elev. Feet	Luffing Jib Capacity Pounds	Jib Ang. Deg.	Jib Point Elev. Feet	Luffing Jib Capacity Pounds	Jib Ang. Deg.	Jib Point Elev. Feet	Luffing Jib Capacity Pounds	Jib Ang. Deg.	Jib Point Elev. Feet	Luffing Jib Capacity Pounds	
55	74.5	302.1	40,100 *																			55
60	72.6	300.6	38,500 *																			60
65	70.7	298.9	37,000 *																			65
70	68.8	297.1	35,500 *																			70
75	66.9	295.0	34,100 *																			75
80	64.9	292.8	32,600 *	69.6	296.7	36,200 *																80
85	62.9	290.4	31,200 *	67.7	294.8	34,900 *																85
90	60.9	287.7	29,900 *	65.8	292.6	33,500 *																90
95	58.8	284.8	28,600 *	63.8	290.3	32,100 *	66.6	292.4	33,900 *													95
100	56.7	281.6	27,300 *	61.8	287.7	30,800 *	64.7	290.2	32,600 *													100
105	54.5	278.2	26,100 *	59.7	284.9	29,400 *	62.7	287.7	31,300 *													105
110	52.3	274.5	24,900 *	57.6	281.9	28,200 *	60.6	285.0	30,000 *													110
115	50.0	270.5	23,800 *	55.5	278.6	26,900 *	58.6	282.1	28,800 *													115
120	47.6	266.1	22,700 *	53.3	275.0	25,700 *	56.4	278.9	27,500 *	61.4	283.2	30,100 *										120
125	45.1	261.3	21,600 *	51.0	271.1	24,500 *	54.3	275.4	26,300 *	59.3	280.3	29,000 *										125
130	42.6	256.1	20,600 *	48.7	266.9	23,400 *	52.0	271.7	25,200 *	57.2	277.3	27,800 *										130
135	39.8	250.4	19,700 *	46.2	262.3	22,400 *	49.7	267.6	24,000 *	55.1	273.9	26,700 *										135
140	37.0	244.1	18,800 *	43.7	257.3	21,300 *	47.3	263.2	22,900 *	52.9	270.3	25,600 *	57.9	274.4	24,800							140
145	33.9	237.1	17,900 *	41.0	251.8	20,400 *	44.8	258.4	21,900 *	50.6	266.3	24,500 *	55.8	271.1	23,600							145
150	30.5	229.1	17,100 *	38.2	245.7	19,400 *	42.2	253.1	20,900 *	48.2	262.0	23,400 *	53.6	267.6	22,600							150
155	26.8	219.9	16,400 *	35.2	239.0	18,500 *	39.5	247.3	19,900 *	45.8	257.4	22,400 *	51.3	263.8	21,600							155
160	22.5	209.0	15,700 *	32.0	231.5	17,700 *	36.6	240.9	19,000 *	43.2	252.3	21,400 *	49.0	259.6	20,600							160
170	9.4	174.0	14,500 *	24.4	212.9	16,200 *	30.1	225.7	17,400 *	37.7	240.6	19,500 *	44.0	250.1	18,900	49.6	255.8	16,900				170
180				13.3	183.6	14,900 *	21.9	205.2	15,900 *	31.4	226.0	17,800 *	38.6	238.7	17,400	44.7	246.5	15,500				180
190							7.9	167.6	14,700 *	23.6	206.8	16,300 *	32.5	224.7	16,000	39.3	235.4	14,200	45.0	241.4	12,500	190
200										11.8	175.6	15,000 *	25.0	206.5	14,800	33.3	221.7	13,100	39.7	230.5	11,500	200
210													14.4	178.5	13,700	26.0	204.2	12,100	33.7	217.1	10,600	210
220																16.0	178.1	11,100	26.6	199.9	9,700	220
230																			16.9	174.8	8,900	230



Liftcrane Luffing Jib Capacities

888 SERIES 2

Luffing Jib No. 135 On Boom No. 22EL
 179,100 Lb. Crane Counterweight
 44,000 Lb. Carbody Counterweight
 28 Ft. 2 in. Crawlers Extended
 360 Degree Rating

Designed And Tested
 With The Intent To Be In
 The Scope of ANSI B30.5

140 Ft. Boom, 170 Ft. Jib

Jib Oper. Rad. Feet	88 Degree Boom Angle			83 Degree Boom Angle			80 Degree Boom Angle			75 Degree Boom Angle			70 Degree Boom Angle			65 Degree Boom Angle			60 Degree Boom Angle			Jib Oper. Rad. Feet
	Jib Ang. Deg.	Jib Point Elev. Feet	Luffing Jib Capacity Pounds	Jib Ang. Deg.	Jib Point Elev. Feet	Luffing Jib Capacity Pounds	Jib Ang. Deg.	Jib Point Elev. Feet	Luffing Jib Capacity Pounds	Jib Ang. Deg.	Jib Point Elev. Feet	Luffing Jib Capacity Pounds	Jib Ang. Deg.	Jib Point Elev. Feet	Luffing Jib Capacity Pounds	Jib Ang. Deg.	Jib Point Elev. Feet	Luffing Jib Capacity Pounds	Jib Ang. Deg.	Jib Point Elev. Feet	Luffing Jib Capacity Pounds	
55	75.4	312.4	37,000 *																			55
60	73.6	311.0	35,600 *																			60
65	71.9	309.5	34,200 *																			65
70	70.1	307.8	32,800 *																			70
75	68.3	305.9	31,400 *																			75
80	66.5	303.8	30,000 *	70.9	307.4	33,400 *																80
85	64.6	301.5	28,700 *	69.1	305.5	32,000 *																85
90	62.7	299.0	27,400 *	67.3	303.5	30,700 *																90
95	60.8	296.3	26,100 *	65.4	301.4	29,500 *																95
100	58.9	293.4	24,900 *	63.6	299.0	28,200 *	66.2	301.2	29,900 *													100
105	56.9	290.3	23,800 *	61.7	296.4	26,900 *	64.4	298.9	28,700 *													105
110	54.9	286.9	22,600 *	59.7	293.6	25,700 *	62.5	296.4	27,500 *													110
115	52.8	283.3	21,500 *	57.8	290.5	24,500 *	60.6	293.6	26,300 *													115
120	50.6	279.3	20,500 *	55.7	287.3	23,400 *	58.6	290.7	25,100 *													120
125	48.4	275.0	19,500 *	53.7	283.7	22,300 *	56.6	287.5	23,900 *	61.3	291.9	26,400 *										125
130	46.1	270.4	18,500 *	51.6	279.9	21,200 *	54.6	284.1	22,800 *	59.4	289.0	25,300 *										130
135	43.7	265.4	17,600 *	49.4	275.8	20,200 *	52.5	280.4	21,700 *	57.4	285.9	24,200 *										135
140	41.2	259.9	16,700 *	47.1	271.3	19,200 *	50.4	276.4	20,700 *	55.4	282.6	23,200 *										140
145	38.6	254.0	15,900 *	44.8	266.5	18,200 *	48.1	272.1	19,700 *	53.3	279.0	22,100 *	58.0	283.1	23,400							145
150	35.8	247.4	15,100 *	42.3	261.2	17,300 *	45.8	267.5	18,700 *	51.2	275.1	21,100 *	56.0	279.8	22,300							150
155	32.8	240.0	14,300 *	39.7	255.5	16,400 *	43.4	262.4	17,800 *	49.0	271.0	20,100 *	54.0	276.3	21,300							155
160	29.6	231.8	13,600 *	37.0	249.1	15,600 *	40.9	256.9	16,900 *	46.7	266.4	19,100 *	51.9	272.6	20,300							160
170	21.8	211.0	12,100 *	31.0	234.3	14,100 *	35.5	244.2	15,300 *	41.9	256.2	17,300 *	47.4	264.1	18,600	52.4	268.6	16,600				170
180	9.1	174.8	10,600 *	23.7	215.0	12,500 *	29.1	228.4	13,800 *	36.5	243.9	15,700 *	42.7	254.1	17,100	48.0	260.3	15,200				180
190				12.9	184.7	10,900 *	21.2	207.1	12,100 *	30.4	228.8	14,100 *	37.4	242.2	15,800	43.3	250.5	14,000				190
200							7.7	168.3	10,600 *	22.9	208.9	12,500 *	31.5	227.6	14,400 *	38.1	238.9	12,900	43.6	245.5	11,200	200
210										11.5	176.6	10,900 *	24.2	208.7	12,800 *	32.2	224.7	11,900	38.5	234.0	10,300	210
220													13.9	179.8	11,200 *	25.2	206.4	10,900	32.7	220.0	9,500	220
230																15.5	179.5	10,100	25.8	202.2	8,700	230
240																			16.4	176.3	8,000	240



Liftcrane Luffing Jib Capacities

888 SERIES 2

Luffing Jib No. 135 On Boom No. 22EL
 179,100 Lb. Crane Counterweight
 44,000 Lb. Carbody Counterweight
 28 Ft. 2 in. Crawlers Extended
 360 Degree Rating

Designed And Tested
 With The Intent To Be In
 The Scope of ANSI B30.5

150 Ft. Boom, 70 Ft. Jib

Jib Oper. Rad. Feet	88 Degree Boom Angle			83 Degree Boom Angle			80 Degree Boom Angle			75 Degree Boom Angle			70 Degree Boom Angle			65 Degree Boom Angle			60 Degree Boom Angle			Jib Oper. Rad. Feet
	Jib Ang. Deg.	Jib Point Elev. Feet	Luffing Jib Capacity Pounds	Jib Ang. Deg.	Jib Point Elev. Feet	Luffing Jib Capacity Pounds	Jib Ang. Deg.	Jib Point Elev. Feet	Luffing Jib Capacity Pounds	Jib Ang. Deg.	Jib Point Elev. Feet	Luffing Jib Capacity Pounds	Jib Ang. Deg.	Jib Point Elev. Feet	Luffing Jib Capacity Pounds	Jib Ang. Deg.	Jib Point Elev. Feet	Luffing Jib Capacity Pounds	Jib Ang. Deg.	Jib Point Elev. Feet	Luffing Jib Capacity Pounds	
45	62.3	219.9	94,000 *b																			45
50	57.6	217.0	90,100 *b																			50
55	52.6	213.5	86,800 *b																			55
60	47.2	209.3	83,800 *	60.5	217.6	94,400 b																60
65	41.4	204.2	81,100 *	55.7	214.5	85,400 b																65
70	34.7	197.8	74,000 *	50.5	210.7	77,800 b	58.3	215.0	74,400 b													70
75	26.7	189.4	66,300 *	45.0	206.2	71,500	53.4	211.6	68,300 b													75
80	15.3	176.4	52,500 *	38.9	200.6	66,000	48.1	207.5	63,100	60.9	213.6	58,300 b										80
85				31.8	193.6	61,200	42.3	202.6	58,500	56.1	210.5	54,100 b										85
90				22.9	183.9	57,000	35.9	196.4	54,500	51.1	206.8	50,400 b										90
95				6.9	165.1	48,600 *	28.1	188.4	51,000	45.6	202.4	47,100										95
100							17.6	176.5	47,800	39.5	196.9	44,200	53.6	204.6	40,600 b							100
105										32.6	190.0	41,600	48.3	200.5	38,200							105
110										23.9	180.7	39,200	42.5	195.6	36,000							110
115										9.7	164.1	36,900	36.1	189.5	34,000	50.5	197.0	31,000 b				115
120													28.4	181.5	32,200	44.9	192.5	29,400				120
125													18.0	169.9	30,500	38.8	186.9	27,800				125
130																31.7	179.8	26,400	46.7	187.8	23,900	130
135																22.7	170.1	25,100	40.7	182.5	22,800	135
140																6.4	150.8	23,800	34.0	176.0	21,700	140
145																			25.7	167.3	20,600	145
150																			13.6	153.2	19,600	150



Liftcrane Luffing Jib Capacities

888 SERIES 2

Luffing Jib No. 135 On Boom No. 22EL
 179,100 Lb. Crane Counterweight
 44,000 Lb. Carbody Counterweight
 28 Ft. 2 in. Crawlers Extended
 360 Degree Rating

Designed And Tested
 With The Intent To Be In
 The Scope of ANSI B30.5

150 Ft. Boom, 80 Ft. Jib

Jib Oper. Rad. Feet	88 Degree Boom Angle			83 Degree Boom Angle			80 Degree Boom Angle			75 Degree Boom Angle			70 Degree Boom Angle			65 Degree Boom Angle			60 Degree Boom Angle			Jib Oper. Rad. Feet
	Jib Ang. Deg.	Jib Point Elev. Feet	Luffing Jib Capacity Pounds	Jib Ang. Deg.	Jib Point Elev. Feet	Luffing Jib Capacity Pounds	Jib Ang. Deg.	Jib Point Elev. Feet	Luffing Jib Capacity Pounds	Jib Ang. Deg.	Jib Point Elev. Feet	Luffing Jib Capacity Pounds	Jib Ang. Deg.	Jib Point Elev. Feet	Luffing Jib Capacity Pounds	Jib Ang. Deg.	Jib Point Elev. Feet	Luffing Jib Capacity Pounds	Jib Ang. Deg.	Jib Point Elev. Feet	Luffing Jib Capacity Pounds	
45	66.0	231.0	87,300 *b																			45
50	62.0	228.6	83,700 *b																			50
55	57.9	225.7	80,400 *b																			55
60	53.6	222.3	77,300 *	64.5	228.9	87,500 *b																60
65	49.0	218.2	74,400 *	60.4	226.3	84,200 *b	66.6	228.8	81,200 b													65
70	44.0	213.5	71,700 *	56.2	223.2	77,500 b	62.7	226.5	74,100 b													70
75	38.6	207.8	68,100 *	51.8	219.5	71,200	58.6	223.6	68,000 b													75
80	32.4	200.8	62,500 *	47.1	215.3	65,700	54.3	220.3	62,800													80
85	25.0	191.7	57,500 *	42.0	210.2	61,000	49.7	216.4	58,200	60.8	222.2	53,700 b										85
90	14.3	177.7	46,100 *	36.3	204.0	56,800	44.8	211.8	54,300	56.6	219.2	50,000 b										90
95				29.7	196.3	53,100	39.5	206.3	50,700	52.2	215.6	46,700										95
100				21.4	185.9	49,800	33.5	199.5	47,600	47.5	211.4	43,900										100
105				6.5	165.7	43,100 *	26.3	190.8	44,800	42.5	206.4	41,300	54.4	213.3	37,800							105
110							16.4	178.0	42,200	36.9	200.4	38,900	49.9	209.4	35,600							110
115										30.4	192.9	36,800	45.0	204.8	33,600							115
120										22.3	182.8	34,800	39.7	199.3	31,900	51.7	205.9	28,900				120
125										9.1	165.0	32,900	33.7	192.6	30,200	47.0	201.6	27,400				125
130													26.5	184.0	28,700	41.9	196.5	26,100				130
135													16.8	171.4	27,300	36.2	190.3	24,800				135
140																29.6	182.6	23,600	43.5	191.9	21,200	140
145																21.2	172.0	22,500	38.0	186.1	20,200	145
150																6.0	151.4	21,300	31.7	178.9	19,300	150
155																			24.1	169.5	18,400	155
160																			12.7	154.4	17,500	160



Liftcrane Luffing Jib Capacities

888 SERIES 2

Luffing Jib No. 135 On Boom No. 22EL
 179,100 Lb. Crane Counterweight
 44,000 Lb. Carbody Counterweight
 28 Ft. 2 in. Crawlers Extended
 360 Degree Rating

Designed And Tested
 With The Intent To Be In
 The Scope of ANSI B30.5

150 Ft. Boom, 90 Ft. Jib

Jib Oper. Rad. Feet	88 Degree Boom Angle			83 Degree Boom Angle			80 Degree Boom Angle			75 Degree Boom Angle			70 Degree Boom Angle			65 Degree Boom Angle			60 Degree Boom Angle			Jib Oper. Rad. Feet
	Jib Ang. Deg.	Jib Point Elev. Feet	Luffing Jib Capacity Pounds	Jib Ang. Deg.	Jib Point Elev. Feet	Luffing Jib Capacity Pounds	Jib Ang. Deg.	Jib Point Elev. Feet	Luffing Jib Capacity Pounds	Jib Ang. Deg.	Jib Point Elev. Feet	Luffing Jib Capacity Pounds	Jib Ang. Deg.	Jib Point Elev. Feet	Luffing Jib Capacity Pounds	Jib Ang. Deg.	Jib Point Elev. Feet	Luffing Jib Capacity Pounds	Jib Ang. Deg.	Jib Point Elev. Feet	Luffing Jib Capacity Pounds	
45	68.8	241.8	79,000 *b																			45
50	65.4	239.7	75,800 *b																			50
55	61.8	237.2	72,800 *b																			55
60	58.1	234.3	70,000 *	67.5	239.8	79,000 *b																60
65	54.3	231.0	67,400 *	64.0	237.6	76,100 *b																65
70	50.3	227.1	65,100 *	60.4	234.9	73,300 *	65.9	237.6	73,800 b													70
75	46.0	222.6	62,900 *	56.6	231.9	70,600 *	62.4	235.1	67,700 b													75
80	41.4	217.4	60,900 *	52.7	228.3	65,500	58.7	232.3	62,500													80
85	36.3	211.2	57,500 *	48.6	224.2	60,800	54.9	229.0	58,000													85
90	30.5	203.6	53,300 *	44.2	219.5	56,700	50.9	225.3	54,100	60.7	230.9	49,700 b										90
95	23.5	193.8	49,500 *	39.5	213.9	53,000	46.7	220.9	50,600	57.0	227.9	46,500										95
100	13.5	178.9	41,000 *	34.1	207.2	49,800	42.1	215.8	47,500	53.1	224.4	43,600										100
105				28.0	198.9	46,800	37.1	209.7	44,700	49.0	220.3	41,000										105
110				20.2	187.7	44,100	31.5	202.4	42,100	44.7	215.6	38,700	55.0	222.0	35,300							110
115				6.1	166.3	38,600 *	24.7	193.1	39,800	39.9	210.2	36,600	51.0	218.2	33,400							115
120							15.5	179.4	37,700	34.7	203.6	34,700	46.8	213.9	31,600							120
125										28.6	195.5	32,900	42.3	208.8	30,000	52.7	214.6	27,200				125
130										21.0	184.7	31,300	37.3	202.8	28,500	48.6	210.5	25,800				130
135										8.5	165.7	29,700	31.7	195.5	27,100	44.2	205.8	24,600				135
140													25.0	186.3	25,800	39.4	200.2	23,400				140
145													15.8	172.8	24,600	34.1	193.5	22,300	45.5	201.1	20,000	145
150																27.9	185.1	21,300	40.9	195.7	19,100	150
155																20.0	173.9	20,300	35.7	189.4	18,200	155
160																29.9	181.7	19,300	29.9	181.7	17,400	160
170																5.6	151.9	19,300	11.9	155.5	15,800	170



Liftcrane Luffing Jib Capacities

888 SERIES 2

Luffing Jib No. 135 On Boom No. 22EL
 179,100 Lb. Crane Counterweight
 44,000 Lb. Carbody Counterweight
 28 Ft. 2 in. Crawlers Extended
 360 Degree Rating

Designed And Tested
 With The Intent To Be In
 The Scope of ANSI B30.5

150 Ft. Boom, 100 Ft. Jib

Jib Oper. Rad. Feet	88 Degree Boom Angle			83 Degree Boom Angle			80 Degree Boom Angle			75 Degree Boom Angle			70 Degree Boom Angle			65 Degree Boom Angle			60 Degree Boom Angle			Jib Oper. Rad. Feet
	Jib Ang. Deg.	Jib Point Elev. Feet	Luffing Jib Capacity Pounds	Jib Ang. Deg.	Jib Point Elev. Feet	Luffing Jib Capacity Pounds	Jib Ang. Deg.	Jib Point Elev. Feet	Luffing Jib Capacity Pounds	Jib Ang. Deg.	Jib Point Elev. Feet	Luffing Jib Capacity Pounds	Jib Ang. Deg.	Jib Point Elev. Feet	Luffing Jib Capacity Pounds	Jib Ang. Deg.	Jib Point Elev. Feet	Luffing Jib Capacity Pounds	Jib Ang. Deg.	Jib Point Elev. Feet	Luffing Jib Capacity Pounds	
45	71.0	252.5	73,800 *b																			45
50	68.0	250.6	70,700 *b																			50
55	64.8	248.4	67,800 *																			55
60	61.6	245.9	65,100 *	69.8	250.5	73,400 *b																60
65	58.3	243.0	62,500 *	66.7	248.6	70,600 *b																65
70	54.9	239.7	60,100 *	63.6	246.2	67,900 *																70
75	51.3	235.9	57,800 *	60.3	243.6	65,400 *	65.3	246.3	67,400 b													75
80	47.5	231.7	55,700 *	57.0	240.5	62,900 *	62.1	243.8	62,200													80
85	43.5	226.8	53,700 *	53.5	237.1	60,500	58.8	241.0	57,700													85
90	39.2	221.1	51,900 *	49.8	233.1	56,400	55.4	237.7	53,700													90
95	34.4	214.4	48,600 *	46.0	228.6	52,700	51.9	234.1	50,200	60.7	239.5	46,100										95
100	28.9	206.3	45,400 *	41.9	223.4	49,500	48.1	229.9	47,100	57.3	236.5	43,200										100
105	22.3	195.9	42,700 *	37.4	217.4	46,600	44.2	225.1	44,300	53.8	233.1	40,700										105
110	12.8	180.0	36,500 *	32.3	210.2	43,900	39.9	219.5	41,800	50.2	229.2	38,300										110
115				26.5	201.3	41,500	35.2	213.0	39,600	46.4	224.8	36,200	55.5	230.7	33,000							115
120				19.1	189.4	39,300	29.8	205.2	37,500	42.3	219.6	34,300	52.0	227.0	31,200							120
125				5.8	166.8	34,600 *	23.5	195.2	35,600	37.8	213.7	32,600	48.3	222.9	29,600							125
130							14.7	180.7	33,800	32.9	206.6	31,000	44.3	218.1	28,100							130
135										27.1	198.0	29,500	40.0	212.6	26,800	49.8	219.4	24,100				135
140										19.9	186.5	28,100	35.3	206.1	25,500	45.9	214.9	23,000				140
145										8.1	166.5	26,700	30.0	198.3	24,300	41.8	209.7	21,900				145
150													23.7	188.4	23,200	37.3	203.6	20,900	47.1	210.1	18,600	150
155													15.0	174.2	22,200	32.3	196.4	20,000	43.1	205.1	17,800	155
160																26.4	187.5	19,100	38.7	199.4	17,000	160
170																5.3	152.3	17,400	28.3	184.2	15,500	170
180																			11.3	156.5	14,200	180



Liftcrane Luffing Jib Capacities

888 SERIES 2

Luffing Jib No. 135 On Boom No. 22EL
 179,100 Lb. Crane Counterweight
 44,000 Lb. Carbody Counterweight
 28 Ft. 2 in. Crawlers Extended
 360 Degree Rating

Designed And Tested
 With The Intent To Be In
 The Scope of ANSI B30.5

150 Ft. Boom, 110 Ft. Jib

Jib Oper. Rad. Feet	88 Degree Boom Angle			83 Degree Boom Angle			80 Degree Boom Angle			75 Degree Boom Angle			70 Degree Boom Angle			65 Degree Boom Angle			60 Degree Boom Angle			Jib Oper. Rad. Feet
	Jib Ang. Deg.	Jib Point Elev. Feet	Luffing Jib Capacity Pounds	Jib Ang. Deg.	Jib Point Elev. Feet	Luffing Jib Capacity Pounds	Jib Ang. Deg.	Jib Point Elev. Feet	Luffing Jib Capacity Pounds	Jib Ang. Deg.	Jib Point Elev. Feet	Luffing Jib Capacity Pounds	Jib Ang. Deg.	Jib Point Elev. Feet	Luffing Jib Capacity Pounds	Jib Ang. Deg.	Jib Point Elev. Feet	Luffing Jib Capacity Pounds	Jib Ang. Deg.	Jib Point Elev. Feet	Luffing Jib Capacity Pounds	
45	72.8	263.0	68,700 *b																			45
50	70.1	261.3	66,300 *b																			50
55	67.3	259.4	64,000 *																			55
60	64.4	257.1	61,900 *																			60
65	61.5	254.6	59,800 *	69.0	259.3	66,200 *b																65
70	58.5	251.7	57,700 *	66.1	257.3	64,200 *																70
75	55.4	248.4	55,600 *	63.3	254.9	62,100 *	67.7	257.2	64,900 *													75
80	52.1	244.7	53,600 *	60.3	252.2	60,100 *	64.9	255.0	62,100													80
85	48.8	240.6	51,700 *	57.3	249.2	58,000 *	61.9	252.5	57,600													85
90	45.2	235.9	50,000 *	54.1	245.8	56,000 *	58.9	249.6	53,700													90
95	41.4	230.6	47,200 *	50.8	242.0	52,700	55.9	246.4	50,200													95
100	37.3	224.5	44,300 *	47.4	237.6	49,500	52.6	242.8	47,100	60.6	248.2	43,200										100
105	32.7	217.4	41,600 *	43.7	232.7	46,600	49.3	238.8	44,300	57.6	245.2	40,600										105
110	27.6	208.8	39,200 *	39.8	227.1	43,900	45.8	234.2	41,800	54.4	241.8	38,300										110
115	21.3	197.8	37,100 *	35.6	220.6	41,600	42.0	229.0	39,600	51.1	238.0	36,200										115
120	12.2	181.1	33,600 *	30.8	213.0	39,400	38.0	223.1	37,500	47.7	233.8	34,300	56.0	239.4	31,200							120
125				25.3	203.6	37,400	33.5	216.1	35,600	44.1	228.9	32,600	52.7	235.8	29,600							125
130				18.2	191.1	35,600	28.4	207.8	33,900	40.2	223.4	31,000	49.4	231.8	28,100							130
135				5.5	167.3	31,900 *	22.3	197.2	32,200	36.0	217.0	29,500	45.9	227.2	26,800							135
140							14.0	182.0	30,700	31.3	209.5	28,100	42.1	222.0	25,500	50.8	228.3	22,900				140
145										25.8	200.3	26,800	38.1	216.1	24,300	47.3	223.9	21,900				145
150										19.0	188.2	25,600	33.6	209.2	23,300	43.7	219.0	20,900				150
155										7.7	167.1	24,500	28.6	200.9	22,200	39.8	213.4	20,000				155
160													22.6	190.5	21,300	35.5	206.9	19,100	44.8	214.4	17,000	160
170																25.2	189.8	17,500	36.8	202.8	15,500	170
180																5.1	152.8	16,000	27.0	186.7	14,200	180
190																			10.8	157.5	13,000	190



Liftcrane Luffing Jib Capacities

888 SERIES 2

Luffing Jib No. 135 On Boom No. 22EL
 179,100 Lb. Crane Counterweight
 44,000 Lb. Carbody Counterweight
 28 Ft. 2 in. Crawlers Extended
 360 Degree Rating

Designed And Tested
 With The Intent To Be In
 The Scope of ANSI B30.5

150 Ft. Boom, 120 Ft. Jib

Jib Oper. Rad. Feet	88 Degree Boom Angle			83 Degree Boom Angle			80 Degree Boom Angle			75 Degree Boom Angle			70 Degree Boom Angle			65 Degree Boom Angle			60 Degree Boom Angle			Jib Oper. Rad. Feet
	Jib Ang. Deg.	Jib Point Elev. Feet	Luffing Jib Capacity Pounds	Jib Ang. Deg.	Jib Point Elev. Feet	Luffing Jib Capacity Pounds	Jib Ang. Deg.	Jib Point Elev. Feet	Luffing Jib Capacity Pounds	Jib Ang. Deg.	Jib Point Elev. Feet	Luffing Jib Capacity Pounds	Jib Ang. Deg.	Jib Point Elev. Feet	Luffing Jib Capacity Pounds	Jib Ang. Deg.	Jib Point Elev. Feet	Luffing Jib Capacity Pounds	Jib Ang. Deg.	Jib Point Elev. Feet	Luffing Jib Capacity Pounds	
45	74.3	273.4	55,600 *b																			45
50	71.8	271.9	54,500 *b																			50
55	69.2	270.1	53,500 *																			55
60	66.7	268.1	52,600 *																			60
65	64.0	265.8	51,100 *	70.8	270.0	54,900 *b																65
70	61.4	263.2	49,200 *	68.2	268.1	54,200 *																70
75	58.6	260.3	47,400 *	65.6	266.0	52,800 *																75
80	55.8	257.1	45,600 *	63.0	263.6	51,000 *	67.1	265.9	53,500 *													80
85	52.8	253.5	43,900 *	60.3	260.9	49,200 *	64.5	263.7	51,900 *													85
90	49.8	249.5	42,300 *	57.5	257.9	47,400 *	61.8	261.1	50,200 *													90
95	46.6	245.0	40,800 *	54.6	254.5	45,600 *	59.0	258.3	48,500 *													95
100	43.2	240.0	39,400 *	51.6	250.8	44,000 *	56.2	255.1	46,800													100
105	39.6	234.3	38,100 *	48.5	246.6	42,400 *	53.3	251.6	44,000	60.5	256.9	40,200										105
110	35.6	227.8	36,900 *	45.2	241.9	41,000 *	50.2	247.7	41,500	57.8	253.9	37,900										110
115	31.3	220.3	35,500 *	41.8	236.6	39,600 *	47.1	243.3	39,200	54.9	250.6	35,800										115
120	26.4	211.2	33,600 *	38.1	230.7	38,300 *	43.7	238.3	37,200	51.9	246.8	33,900										120
125	20.3	199.6	32,000 *	34.0	223.8	37,000 *	40.1	232.8	35,300	48.8	242.7	32,200	56.3	248.1	29,200							125
130	11.7	182.2	29,600 *	29.5	215.7	35,400	36.3	226.4	33,600	45.6	238.1	30,600	53.4	244.6	27,700							130
135				24.2	205.8	33,700	32.0	219.0	32,000	42.1	232.9	29,100	50.3	240.6	26,400							135
140				17.4	192.6	32,100	27.2	210.2	30,500	38.4	227.0	27,800	47.2	236.3	25,100							140
145				5.3	167.8	28,300 *	21.4	199.2	29,100	34.4	220.2	26,500	43.8	231.3	24,000	51.6	237.1	21,500				145
150							13.4	183.2	27,800	29.9	212.2	25,300	40.3	225.8	22,900	48.5	232.9	20,500				150
155										24.7	202.6	24,200	36.4	219.5	21,900	45.2	228.2	19,600				155
160										18.2	189.8	23,200	32.2	212.1	20,900	41.7	222.9	18,700				160
170													21.6	192.4	19,200	33.9	210.0	17,100	42.8	218.4	15,100	170
180																24.1	192.0	15,700	35.2	206.0	13,900	180
190																4.9	153.2	14,400	25.8	189.0	12,700	190
200																			10.3	158.4	11,600	200



Liftcrane Luffing Jib Capacities

888 SERIES 2

Luffing Jib No. 135 On Boom No. 22EL
 179,100 Lb. Crane Counterweight
 44,000 Lb. Carbody Counterweight
 28 Ft. 2 in. Crawlers Extended
 360 Degree Rating

Designed And Tested
 With The Intent To Be In
 The Scope of ANSI B30.5

150 Ft. Boom, 130 Ft. Jib

Jib Oper. Rad. Feet	88 Degree Boom Angle			83 Degree Boom Angle			80 Degree Boom Angle			75 Degree Boom Angle			70 Degree Boom Angle			65 Degree Boom Angle			60 Degree Boom Angle			Jib Oper. Rad. Feet
	Jib Ang. Deg.	Jib Point Elev. Feet	Luffing Jib Capacity Pounds	Jib Ang. Deg.	Jib Point Elev. Feet	Luffing Jib Capacity Pounds	Jib Ang. Deg.	Jib Point Elev. Feet	Luffing Jib Capacity Pounds	Jib Ang. Deg.	Jib Point Elev. Feet	Luffing Jib Capacity Pounds	Jib Ang. Deg.	Jib Point Elev. Feet	Luffing Jib Capacity Pounds	Jib Ang. Deg.	Jib Point Elev. Feet	Luffing Jib Capacity Pounds	Jib Ang. Deg.	Jib Point Elev. Feet	Luffing Jib Capacity Pounds	
45	75.5	283.8	52,000 *b																			45
50	73.2	282.4	51,100 *b																			50
55	70.9	280.8	50,200 *																			55
60	68.6	278.9	49,000 *																			60
65	66.2	276.8	47,200 *																			65
70	63.7	274.5	45,500 *	70.0	278.8	50,300 *																70
75	61.3	271.9	43,800 *	67.6	276.9	48,700 *																75
80	58.7	269.0	42,200 *	65.2	274.7	47,100 *																80
85	56.1	265.8	40,700 *	62.8	272.3	45,400 *	66.5	274.7	47,700 *													85
90	53.4	262.3	39,200 *	60.3	269.6	43,800 *	64.1	272.4	46,200 *													90
95	50.6	258.4	37,800 *	57.7	266.5	42,300 *	61.6	269.8	44,700 *													95
100	47.7	254.0	36,500 *	55.0	263.2	40,800 *	59.1	267.0	43,200 *													100
105	44.6	249.2	35,200 *	52.3	259.5	39,300 *	56.5	263.8	41,700 *	63.0	268.2	39,900										105
110	41.4	243.9	33,900 *	49.5	255.5	37,900 *	53.8	260.3	40,300 *	60.5	265.5	37,600										110
115	37.9	237.8	32,800 *	46.5	251.0	36,500 *	51.0	256.5	38,800 *	57.9	262.6	35,600										115
120	34.2	231.0	31,700 *	43.4	246.0	35,300 *	48.1	252.2	37,000	55.3	259.3	33,700										120
125	30.1	223.0	30,700 *	40.1	240.4	34,100 *	45.1	247.5	35,100	52.6	255.6	32,000										125
130	25.3	213.5	29,500 *	36.5	234.0	32,900 *	41.9	242.2	33,400	49.7	251.6	30,400	56.6	256.8	27,400							130
135	19.5	201.4	28,100 *	32.6	226.8	31,800 *	38.5	236.3	31,800	46.8	247.1	28,900	53.9	253.3	26,100							135
140	11.2	183.2	26,900 *	28.3	218.3	30,800 *	34.8	229.6	30,300	43.7	242.2	27,600	51.1	249.5	24,800							140
145				23.2	207.9	30,000 *	30.7	221.8	28,900	40.4	236.6	26,300	48.2	245.2	23,700							145
150				16.7	194.1	29,200	26.1	212.6	27,700	36.9	230.4	25,100	45.2	240.5	22,600	52.3	245.9	20,200				150
155				5.1	168.2	25,800 *	20.5	201.0	26,500	33.0	223.2	24,000	42.0	235.3	21,600	49.4	241.8	19,300				155
160							12.9	184.3	25,300	28.7	214.9	23,000	38.6	229.4	20,700	46.5	237.3	18,400				160
170										17.5	191.4	21,100	30.9	215.0	19,000	40.0	226.6	16,900	47.4	232.5	14,800	170
180													20.7	194.3	17,500	32.6	213.0	15,500	41.0	222.2	13,600	180
190																23.1	194.1	14,300	33.8	209.1	12,500	190
200																4.7	153.7	13,100	24.8	191.3	11,400	200
210																			9.9	159.3	10,500	210



Liftcrane Luffing Jib Capacities

888 SERIES 2

Luffing Jib No. 135 On Boom No. 22EL
 179,100 Lb. Crane Counterweight
 44,000 Lb. Carbody Counterweight
 28 Ft. 2 in. Crawlers Extended
 360 Degree Rating

Designed And Tested
 With The Intent To Be In
 The Scope of ANSI B30.5

150 Ft. Boom, 140 Ft. Jib

Jib Oper. Rad. Feet	88 Degree Boom Angle			83 Degree Boom Angle			80 Degree Boom Angle			75 Degree Boom Angle			70 Degree Boom Angle			65 Degree Boom Angle			60 Degree Boom Angle			Jib Oper. Rad. Feet
	Jib Ang. Deg.	Jib Point Elev. Feet	Luffing Jib Capacity Pounds	Jib Ang. Deg.	Jib Point Elev. Feet	Luffing Jib Capacity Pounds	Jib Ang. Deg.	Jib Point Elev. Feet	Luffing Jib Capacity Pounds	Jib Ang. Deg.	Jib Point Elev. Feet	Luffing Jib Capacity Pounds	Jib Ang. Deg.	Jib Point Elev. Feet	Luffing Jib Capacity Pounds	Jib Ang. Deg.	Jib Point Elev. Feet	Luffing Jib Capacity Pounds	Jib Ang. Deg.	Jib Point Elev. Feet	Luffing Jib Capacity Pounds	
50	74.5	292.8	47,600 *																			50
55	72.3	291.3	46,800 *																			55
60	70.2	289.6	45,100 *																			60
65	68.0	287.7	43,500 *																			65
70	65.7	285.5	41,900 *																			70
75	63.5	283.2	40,300 *	69.3	287.6	44,700 *																75
80	61.2	280.5	38,700 *	67.1	285.6	43,200 *																80
85	58.8	277.7	37,300 *	64.9	283.4	41,700 *																85
90	56.4	274.5	35,800 *	62.6	280.9	40,200 *	66.1	283.4	42,300 *													90
95	53.9	271.0	34,400 *	60.2	278.2	38,700 *	63.8	281.1	40,900 *													95
100	51.3	267.2	33,100 *	57.9	275.2	37,200 *	61.5	278.5	39,500 *													100
105	48.6	263.0	31,800 *	55.4	271.9	35,800 *	59.2	275.6	38,100 *													105
110	45.8	258.4	30,600 *	52.9	268.3	34,500 *	56.8	272.5	36,700 *	62.8	276.9	37,200										110
115	42.9	253.2	29,400 *	50.3	264.3	33,100 *	54.3	269.1	35,300 *	60.5	274.2	35,200										115
120	39.8	247.6	28,300 *	47.6	260.0	31,900 *	51.7	265.3	34,000 *	58.1	271.2	33,300										120
125	36.5	241.2	27,300 *	44.7	255.2	30,600 *	49.1	261.2	32,700 *	55.6	268.0	31,600										125
130	32.9	234.0	26,300 *	41.7	249.9	29,400 *	46.3	256.6	31,500 *	53.1	264.4	30,000										130
135	28.9	225.6	25,300 *	38.6	243.9	28,300 *	43.4	251.6	30,300 *	50.5	260.4	28,500	56.8	265.5	25,700							135
140	24.4	215.7	24,500 *	35.1	237.3	27,300 *	40.3	246.0	29,200 *	47.8	256.1	27,200	54.4	262.0	24,400							140
145	18.8	203.1	23,800 *	31.4	229.6	26,300 *	37.0	239.7	28,100 *	45.0	251.4	25,900	51.8	258.3	23,300							145
150	10.8	184.2	23,200 *	27.2	220.7	25,400 *	33.5	232.7	27,000 *	42.0	246.1	24,800	49.1	254.1	22,200							150
155				22.3	209.9	24,600 *	29.6	224.5	26,100 *	38.9	240.2	23,700	46.4	249.6	21,300	52.8	254.6	18,900				155
160				16.1	195.6	23,900 *	25.1	214.9	25,100	35.5	233.6	22,700	43.5	244.6	20,300	50.2	250.7	18,000				160
170							12.4	185.4	23,000	27.7	217.4	20,800	37.2	232.8	18,600	44.7	241.5	16,500				170
180										16.8	192.9	19,200	29.7	217.7	17,100	38.5	230.2	15,100	45.5	236.8	13,200	180
190													20.0	196.1	15,800	31.3	215.9	13,900	39.5	225.9	12,100	190
200																22.3	196.1	12,800	32.5	212.1	11,100	200
210																4.5	154.1	11,700	23.8	193.4	10,200	210
220																			9.6	160.1	9,300	220



Liftcrane Luffing Jib Capacities

888 SERIES 2

Luffing Jib No. 135 On Boom No. 22EL
 179,100 Lb. Crane Counterweight
 44,000 Lb. Carbody Counterweight
 28 Ft. 2 in. Crawlers Extended
 360 Degree Rating

Designed And Tested
 With The Intent To Be In
 The Scope of ANSI B30.5

150 Ft. Boom, 150 Ft. Jib

Jib Oper. Rad. Feet	88 Degree Boom Angle			83 Degree Boom Angle			80 Degree Boom Angle			75 Degree Boom Angle			70 Degree Boom Angle			65 Degree Boom Angle			60 Degree Boom Angle			Jib Oper. Rad. Feet
	Jib Ang. Deg.	Jib Point Elev. Feet	Luffing Jib Capacity Pounds	Jib Ang. Deg.	Jib Point Elev. Feet	Luffing Jib Capacity Pounds	Jib Ang. Deg.	Jib Point Elev. Feet	Luffing Jib Capacity Pounds	Jib Ang. Deg.	Jib Point Elev. Feet	Luffing Jib Capacity Pounds	Jib Ang. Deg.	Jib Point Elev. Feet	Luffing Jib Capacity Pounds	Jib Ang. Deg.	Jib Point Elev. Feet	Luffing Jib Capacity Pounds	Jib Ang. Deg.	Jib Point Elev. Feet	Luffing Jib Capacity Pounds	
50	75.5	303.1	44,400 *																			50
55	73.5	301.7	43,300 *																			55
60	71.5	300.2	41,700 *																			60
65	69.5	298.4	40,200 *																			65
70	67.5	296.4	38,700 *																			70
75	65.4	294.3	37,200 *	70.7	298.3	41,200 *																75
80	63.2	291.8	35,700 *	68.7	296.4	39,800 *																80
85	61.1	289.2	34,300 *	66.6	294.4	38,400 *																85
90	58.9	286.3	32,900 *	64.5	292.1	37,000 *	67.8	294.3	38,800 *													90
95	56.6	283.2	31,600 *	62.4	289.6	35,600 *	65.7	292.1	37,600 *													95
100	54.3	279.7	30,300 *	60.2	286.9	34,200 *	63.6	289.7	36,200 *													100
105	51.9	276.0	29,100 *	58.0	283.9	32,800 *	61.4	287.1	34,900 *													105
110	49.5	271.9	27,900 *	55.7	280.6	31,500 *	59.2	284.3	33,600 *													110
115	46.9	267.4	26,700 *	53.4	277.1	30,300 *	57.0	281.2	32,300 *	62.6	285.6	35,100										115
120	44.2	262.5	25,600 *	51.0	273.2	29,000 *	54.7	277.8	31,100 *	60.4	282.8	33,200										120
125	41.4	257.1	24,600 *	48.5	268.9	27,800 *	52.3	274.1	29,800 *	58.2	279.9	31,500										125
130	38.4	251.1	23,600 *	45.8	264.3	26,700 *	49.8	270.0	28,600 *	55.9	276.6	29,900										130
135	35.2	244.4	22,600 *	43.1	259.2	25,600 *	47.3	265.6	27,400 *	53.6	273.1	28,400										135
140	31.8	236.9	21,700 *	40.2	253.6	24,600 *	44.6	260.8	26,300 *	51.2	269.3	27,100	57.1	274.1	24,300							140
145	27.9	228.2	20,900 *	37.2	247.4	23,600 *	41.8	255.5	25,300 *	48.7	265.1	25,900	54.7	270.7	23,200							145
150	23.5	217.8	20,100 *	33.9	240.4	22,600 *	38.9	249.6	24,200 *	46.1	260.5	24,700	52.4	267.1	22,100							150
155	18.2	204.7	19,400 *	30.3	232.4	21,700 *	35.7	243.0	23,300 *	43.4	255.4	23,600	49.9	263.0	21,200							155
160	10.4	185.1	18,900 *	26.3	223.1	20,900 *	32.3	235.6	22,300 *	40.5	249.9	22,600	47.4	258.6	20,200							160
170				15.6	197.0	19,500 *	24.3	217.1	20,700 *	34.2	236.8	20,800	41.9	248.5	18,600	48.4	255.3	16,400				170
180							12.0	186.5	19,300 *	26.7	219.8	19,100	35.9	236.1	17,100	43.1	245.5	15,000				180
190										16.3	194.4	17,700	28.7	220.3	15,700	37.1	233.6	13,800	43.9	240.9	12,000	190
200													19.3	197.8	14,500	30.3	218.6	12,700	38.1	229.4	11,000	200
210																21.5	198.0	11,700	31.4	215.0	10,100	210
220																4.3	154.4	10,800	23.0	195.5	9,300	220
230																			9.2	160.9	8,500	230



Liftcrane Luffing Jib Capacities

888 SERIES 2

Luffing Jib No. 135 On Boom No. 22EL
 179,100 Lb. Crane Counterweight
 44,000 Lb. Carbody Counterweight
 28 Ft. 2 in. Crawlers Extended
 360 Degree Rating

Designed And Tested
 With The Intent To Be In
 The Scope of ANSI B30.5

150 Ft. Boom, 160 Ft. Jib

Jib Oper. Rad. Feet	88 Degree Boom Angle			83 Degree Boom Angle			80 Degree Boom Angle			75 Degree Boom Angle			70 Degree Boom Angle			65 Degree Boom Angle			60 Degree Boom Angle			Jib Oper. Rad. Feet
	Jib Ang. Deg.	Jib Point Elev. Feet	Luffing Jib Capacity Pounds	Jib Ang. Deg.	Jib Point Elev. Feet	Luffing Jib Capacity Pounds	Jib Ang. Deg.	Jib Point Elev. Feet	Luffing Jib Capacity Pounds	Jib Ang. Deg.	Jib Point Elev. Feet	Luffing Jib Capacity Pounds	Jib Ang. Deg.	Jib Point Elev. Feet	Luffing Jib Capacity Pounds	Jib Ang. Deg.	Jib Point Elev. Feet	Luffing Jib Capacity Pounds	Jib Ang. Deg.	Jib Point Elev. Feet	Luffing Jib Capacity Pounds	
55	74.6	312.1	39,900 *																			55
60	72.7	310.7	38,400 *																			60
65	70.8	309.0	36,900 *																			65
70	68.9	307.2	35,400 *																			70
75	67.0	305.2	34,000 *																			75
80	65.0	303.0	32,600 *	70.1	307.1	36,400 *																80
85	63.0	300.5	31,200 *	68.2	305.2	35,000 *																85
90	61.0	297.9	29,900 *	66.2	303.1	33,700 *																90
95	59.0	295.0	28,600 *	64.3	300.8	32,400 *	67.3	303.0	34,200 *													95
100	56.8	291.8	27,300 *	62.3	298.3	31,000 *	65.3	300.8	32,900 *													100
105	54.7	288.4	26,100 *	60.2	295.5	29,700 *	63.4	298.4	31,700 *													105
110	52.4	284.7	25,000 *	58.1	292.6	28,500 *	61.3	295.8	30,400 *													110
115	50.2	280.7	23,800 *	56.0	289.3	27,200 *	59.3	292.9	29,200 *													115
120	47.8	276.4	22,800 *	53.8	285.8	26,000 *	57.2	289.8	28,000 *	62.4	294.2	30,600 *										120
125	45.3	271.7	21,700 *	51.6	282.0	24,900 *	55.0	286.5	26,800 *	60.4	291.5	29,500 *										125
130	42.7	266.5	20,700 *	49.2	277.8	23,700 *	52.8	282.8	25,600 *	58.3	288.5	28,400 *										130
135	40.0	260.8	19,800 *	46.8	273.4	22,700 *	50.5	278.9	24,500 *	56.2	285.3	27,300 *										135
140	37.2	254.5	18,900 *	44.3	268.4	21,600 *	48.2	274.6	23,400 *	54.0	281.8	26,200 *										140
145	34.1	247.6	18,000 *	41.7	263.1	20,700 *	45.7	269.9	22,300 *	51.8	278.1	25,100 *	57.2	282.8	22,800							145
150	30.7	239.7	17,200 *	38.9	257.2	19,700 *	43.1	264.8	21,300 *	49.5	274.0	24,000 *	55.1	279.5	21,800							150
155	27.0	230.6	16,500 *	36.0	250.7	18,800 *	40.5	259.2	20,300 *	47.1	269.5	23,000 *	52.9	275.8	20,800							155
160	22.8	219.9	15,800 *	32.8	243.4	18,000 *	37.6	253.1	19,400 *	44.6	264.6	22,000 *	50.6	271.9	19,900							160
170	10.1	186.0	14,600 *	25.4	225.4	16,400 *	31.3	238.5	17,700 *	39.2	253.5	20,000 *	45.8	262.9	18,200	51.5	268.3	16,000				170
180				15.1	198.3	15,100 *	23.5	219.2	16,200 *	33.1	239.8	18,300 *	40.5	252.3	16,700	46.8	259.7	14,600				180
190							11.6	187.5	14,900 *	25.8	222.1	16,700 *	34.7	239.3	15,400	41.6	249.4	13,400	47.5	254.9	11,600	190
200										15.7	195.8	15,400 *	27.8	222.8	14,200	35.9	236.9	12,400	42.5	244.8	10,600	200
210													18.7	199.5	13,100	29.3	221.3	11,400	36.8	232.8	9,700	210
220																20.8	199.9	10,500	30.4	217.7	8,900	220
230																4.2	154.8	9,600	22.3	197.5	8,200	230
240																			9.0	161.7	7,400	240



Liftcrane Luffing Jib Capacities

888 SERIES 2

Luffing Jib No. 135 On Boom No. 22EL
 179,100 Lb. Crane Counterweight
 44,000 Lb. Carbody Counterweight
 28 Ft. 2 in. Crawlers Extended
 360 Degree Rating

Designed And Tested
 With The Intent To Be In
 The Scope of ANSI B30.5

150 Ft. Boom, 170 Ft. Jib

Jib Oper. Rad. Feet	88 Degree Boom Angle			83 Degree Boom Angle			80 Degree Boom Angle			75 Degree Boom Angle			70 Degree Boom Angle			65 Degree Boom Angle			60 Degree Boom Angle			Jib Oper. Rad. Feet
	Jib Ang. Deg.	Jib Point Elev. Feet	Luffing Jib Capacity Pounds	Jib Ang. Deg.	Jib Point Elev. Feet	Luffing Jib Capacity Pounds	Jib Ang. Deg.	Jib Point Elev. Feet	Luffing Jib Capacity Pounds	Jib Ang. Deg.	Jib Point Elev. Feet	Luffing Jib Capacity Pounds	Jib Ang. Deg.	Jib Point Elev. Feet	Luffing Jib Capacity Pounds	Jib Ang. Deg.	Jib Point Elev. Feet	Luffing Jib Capacity Pounds	Jib Ang. Deg.	Jib Point Elev. Feet	Luffing Jib Capacity Pounds	
55	75.5	322.5	36,800 *																			55
60	73.8	321.1	35,400 *																			60
65	72.0	319.6	34,100 *																			65
70	70.2	317.9	32,700 *																			70
75	68.4	316.0	31,300 *																			75
80	66.6	313.9	30,000 *																			80
85	64.8	311.7	28,700 *	69.5	315.9	32,200 *																85
90	62.9	309.2	27,400 *	67.7	314.0	30,900 *																90
95	61.0	306.5	26,200 *	65.9	311.8	29,700 *																95
100	59.0	303.6	25,000 *	64.0	309.5	28,400 *	66.9	311.8	30,200 *													100
105	57.0	300.5	23,800 *	62.1	306.9	27,200 *	65.0	309.5	29,000 *													105
110	55.0	297.1	22,700 *	60.2	304.2	26,000 *	63.2	307.1	27,800 *													110
115	52.9	293.5	21,600 *	58.2	301.2	24,800 *	61.3	304.5	26,600 *													115
120	50.8	289.6	20,600 *	56.2	298.0	23,700 *	59.3	301.6	25,500 *													120
125	48.6	285.3	19,600 *	54.2	294.5	22,600 *	57.3	298.5	24,300 *	62.3	302.9	26,900 *										125
130	46.3	280.7	18,600 *	52.1	290.8	21,500 *	55.3	295.2	23,200 *	60.4	300.2	25,800 *										130
135	43.9	275.8	17,700 *	49.9	286.7	20,400 *	53.2	291.6	22,100 *	58.4	297.2	24,800 *										135
140	41.4	270.3	16,800 *	47.7	282.3	19,400 *	51.1	287.7	21,100 *	56.4	294.0	23,700 *										140
145	38.8	264.4	16,000 *	45.3	277.6	18,500 *	48.9	283.5	20,100 *	54.4	290.6	22,700 *										145
150	36.0	257.8	15,200 *	42.9	272.4	17,600 *	46.6	279.0	19,100 *	52.3	286.8	21,600 *	57.4	291.5	21,500							150
155	33.0	250.6	14,400 *	40.4	266.8	16,700 *	44.3	274.1	18,200 *	50.1	282.8	20,700 *	55.4	288.2	20,500							155
160	29.8	242.4	13,700 *	37.7	260.7	15,900 *	41.8	268.7	17,300 *	47.9	278.5	19,700 *	53.3	284.6	19,600							160
170	22.1	221.8	12,200 *	31.8	246.3	14,300 *	36.5	256.4	15,600 *	43.2	268.7	17,800 *	49.0	276.5	17,900							170
180	9.8	186.9	10,700 *	24.7	227.6	12,800 *	30.3	241.2	14,100 *	38.0	257.0	16,100 *	44.3	267.1	16,400	49.9	273.0	14,400				180
190				14.6	199.6	11,200 *	22.8	221.2	12,500 *	32.1	242.7	14,600 *	39.3	255.9	15,100	45.3	263.9	13,200				190
200							11.2	188.5	10,900 *	25.1	224.4	13,000 *	33.6	242.4	14,000	40.3	253.1	12,100	46.0	259.2	10,300	200
210										15.3	197.1	11,300 *	26.9	225.2	12,900	34.8	240.1	11,100	41.1	248.7	9,400	210
220													18.1	201.1	11,800 *	28.4	223.9	10,200	35.7	236.1	8,600	220
230																20.2	201.7	9,400	29.4	220.4	7,900	230
240																4.1	155.2	8,600	21.6	199.5	7,200	240
250																			8.7	162.5	6,600	250



Liftcrane Luffing Jib Capacities

Luffing Jib No. 135 On Boom No. 22EL
 179,100 Lb. Crane Counterweight
 44,000 Lb. Carbody Counterweight
 28 Ft. 2 in. Crawlers Extended
 360 Degree Rating

Designed And Tested
 With The Intent To Be In
 The Scope of ANSI B30.5

888 SERIES 2

160 Ft. Boom, 70 Ft. Jib

Jib Oper. Rad. Feet	88 Degree Boom Angle			83 Degree Boom Angle			80 Degree Boom Angle			75 Degree Boom Angle			70 Degree Boom Angle			65 Degree Boom Angle			60 Degree Boom Angle			Jib Oper. Rad. Feet
	Jib Ang. Deg.	Jib Point Elev. Feet	Luffing Jib Capacity Pounds	Jib Ang. Deg.	Jib Point Elev. Feet	Luffing Jib Capacity Pounds	Jib Ang. Deg.	Jib Point Elev. Feet	Luffing Jib Capacity Pounds	Jib Ang. Deg.	Jib Point Elev. Feet	Luffing Jib Capacity Pounds	Jib Ang. Deg.	Jib Point Elev. Feet	Luffing Jib Capacity Pounds	Jib Ang. Deg.	Jib Point Elev. Feet	Luffing Jib Capacity Pounds	Jib Ang. Deg.	Jib Point Elev. Feet	Luffing Jib Capacity Pounds	
50	57.9	227.2	89,900 *b																			50
55	53.0	223.8	86,600 *b																			55
60	47.6	219.6	83,600 *	61.6	228.2	93,700 b																60
65	41.8	214.6	79,000 *	56.9	225.2	84,800 b																65
70	35.2	208.3	72,400 *	51.8	221.6	77,300 b	60.0	225.9	73,600 b													70
75	27.4	200.1	66,700 *	46.4	217.3	71,000	55.1	222.7	67,600 b													75
80	16.4	187.6	53,800 *	40.5	212.0	65,500	50.0	218.9	62,400 b													80
85				33.7	205.4	60,800	44.4	214.2	57,900	58.7	221.8	53,000 b										85
90				25.3	196.6	56,600	38.2	208.5	53,900	53.7	218.5	49,400 b										90
95				12.8	182.1	52,900	31.0	201.3	50,400	48.5	214.4	46,200										95
100							21.8	191.2	47,300	42.7	209.5	43,300	57.0	216.3	39,400 b							100
105										36.3	203.5	40,800	51.9	212.8	37,100 b							105
110										28.7	195.6	38,400	46.5	208.4	34,900							110
115										18.4	184.1	36,300	40.6	203.2	33,000							115
120													33.8	196.6	31,300	49.6	205.5	28,200				120
125													25.5	187.8	29,600	44.0	200.8	26,700				125
130													13.2	173.6	28,100	37.8	195.0	25,400				130
135																30.5	187.6	24,100	46.7	196.4	21,500	135
140																21.0	177.2	22,900	40.7	191.2	20,500	140
145																			34.0	184.6	19,500	145
150																						150
155																			25.7	175.9	18,600	155
																			13.6	161.9	17,600	155



Liftcrane Luffing Jib Capacities

888 SERIES 2

Luffing Jib No. 135 On Boom No. 22EL
 179,100 Lb. Crane Counterweight
 44,000 Lb. Carbody Counterweight
 28 Ft. 2 in. Crawlers Extended
 360 Degree Rating

Designed And Tested
 With The Intent To Be In
 The Scope of ANSI B30.5

160 Ft. Boom, 80 Ft. Jib

Jib Oper. Rad. Feet	88 Degree Boom Angle			83 Degree Boom Angle			80 Degree Boom Angle			75 Degree Boom Angle			70 Degree Boom Angle			65 Degree Boom Angle			60 Degree Boom Angle			Jib Oper. Rad. Feet
	Jib Ang. Deg.	Jib Point Elev. Feet	Luffing Jib Capacity Pounds	Jib Ang. Deg.	Jib Point Elev. Feet	Luffing Jib Capacity Pounds	Jib Ang. Deg.	Jib Point Elev. Feet	Luffing Jib Capacity Pounds	Jib Ang. Deg.	Jib Point Elev. Feet	Luffing Jib Capacity Pounds	Jib Ang. Deg.	Jib Point Elev. Feet	Luffing Jib Capacity Pounds	Jib Ang. Deg.	Jib Point Elev. Feet	Luffing Jib Capacity Pounds	Jib Ang. Deg.	Jib Point Elev. Feet	Luffing Jib Capacity Pounds	
45	66.3	241.1	86,300 *b																			45
50	62.3	238.7	83,300 *b																			50
55	58.2	235.9	80,100 *b																			55
60	53.9	232.5	77,100 *	65.4	239.4	87,700 *b																60
65	49.3	228.5	74,300 *	61.4	236.9	84,400 b																65
70	44.4	223.9	71,700 *	57.3	233.9	77,000 b	64.1	237.2	73,200 b													70
75	39.0	218.2	66,300 *	52.9	230.4	70,700	60.0	234.5	67,200 b													75
80	32.9	211.4	61,400 *	48.3	226.3	65,300	55.8	231.4	62,000 b													80
85	25.6	202.4	57,100 *	43.3	221.4	60,500	51.3	227.7	57,600	62.9	233.3	52,600 b										85
90	15.3	189.0	47,200 *	37.7	215.6	56,400	46.6	223.3	53,600	58.8	230.5	49,000 b										90
95				31.4	208.3	52,800	41.4	218.2	50,200	54.5	227.2	45,800										95
100				23.7	198.7	49,500	35.7	211.9	47,100	50.0	223.3	43,000										100
105				11.9	183.2	46,500	29.0	204.0	44,300	45.2	218.8	40,400	57.3	225.0	36,600 b							105
110							20.4	193.1	41,700	39.9	213.3	38,100	53.0	221.5	34,500							110
115										33.9	206.6	36,000	48.4	217.4	32,600							115
120										26.8	198.1	34,100	43.4	212.6	30,900							120
125										17.2	185.7	32,300	37.9	206.7	29,300	51.0	214.3	26,300				125
130													31.6	199.5	27,800	46.2	209.9	24,900				130
135													23.9	190.0	26,500	41.0	204.7	23,700				135
140													12.3	174.7	25,100	35.2	198.3	22,600				140
145																28.4	190.2	21,500	43.5	200.6	19,100	145
150																19.6	179.0	20,500	38.0	194.7	18,200	150
155																			31.7	187.6	17,300	155
160																			24.1	178.1	16,500	160



Liftcrane Luffing Jib Capacities

888 SERIES 2

Luffing Jib No. 135 On Boom No. 22EL
 179,100 Lb. Crane Counterweight
 44,000 Lb. Carbody Counterweight
 28 Ft. 2 in. Crawlers Extended
 360 Degree Rating

Designed And Tested
 With The Intent To Be In
 The Scope of ANSI B30.5

160 Ft. Boom, 90 Ft. Jib

Jib Oper. Rad. Feet	88 Degree Boom Angle			83 Degree Boom Angle			80 Degree Boom Angle			75 Degree Boom Angle			70 Degree Boom Angle			65 Degree Boom Angle			60 Degree Boom Angle			Jib Oper. Rad. Feet
	Jib Ang. Deg.	Jib Point Elev. Feet	Luffing Jib Capacity Pounds	Jib Ang. Deg.	Jib Point Elev. Feet	Luffing Jib Capacity Pounds	Jib Ang. Deg.	Jib Point Elev. Feet	Luffing Jib Capacity Pounds	Jib Ang. Deg.	Jib Point Elev. Feet	Luffing Jib Capacity Pounds	Jib Ang. Deg.	Jib Point Elev. Feet	Luffing Jib Capacity Pounds	Jib Ang. Deg.	Jib Point Elev. Feet	Luffing Jib Capacity Pounds	Jib Ang. Deg.	Jib Point Elev. Feet	Luffing Jib Capacity Pounds	
45	69.1	251.9	78,400 *b																			45
50	65.6	249.9	75,400 *b																			50
55	62.1	247.4	72,500 *b																			55
60	58.4	244.5	69,800 *	68.3	250.2	78,900 *b																60
65	54.6	241.2	67,200 *	64.8	248.1	76,100 *b																65
70	50.6	237.4	64,900 *	61.3	245.5	73,500 *b	67.1	248.2	72,900 b													70
75	46.3	233.0	62,800 *	57.6	242.6	70,500	63.6	245.9	66,900 b													75
80	41.7	227.8	60,100 *	53.7	239.1	65,100	60.0	243.2	61,800													80
85	36.7	221.7	56,100 *	49.7	235.2	60,400	56.3	240.1	57,300													85
90	31.0	214.2	52,400 *	45.3	230.6	56,300	52.3	236.5	53,400	62.6	241.9	48,700 b										90
95	24.1	204.6	49,100 *	40.7	225.2	52,600	48.2	232.3	50,000	59.0	239.1	45,500										95
100	14.4	190.3	42,000 *	35.5	218.9	49,400	43.8	227.5	46,900	55.2	235.9	42,700										100
105				29.6	211.0	46,500	38.9	221.8	44,100	51.2	232.2	40,200										105
110				22.3	200.8	43,800	33.6	215.0	41,600	47.0	227.8	37,900	57.6	233.7	34,200							110
115				11.3	184.2	41,400	27.3	206.5	39,300	42.4	222.8	35,800	53.8	230.3	32,400							115
120							19.2	194.8	37,300	37.5	216.8	34,000	49.7	226.3	30,600							120
125										31.9	209.6	32,200	45.4	221.8	29,100							125
130										25.2	200.4	30,600	40.8	216.4	27,600	52.1	223.1	24,700				130
135										16.2	187.2	29,100	35.6	210.1	26,300	47.9	218.9	23,500				135
140													29.7	202.3	25,000	43.4	214.0	22,300				140
145													22.5	192.1	23,900	38.6	208.3	21,300				145
150													11.6	175.7	22,700	33.2	201.4	20,300	45.5	209.7	17,900	150
155																26.8	192.7	19,400	40.9	204.4	17,100	155
160																18.5	180.7	18,500	35.7	198.1	16,300	160
170																22.7	180.2	14,900	22.7	180.2	14,900	170



Liftcrane Luffing Jib Capacities

888 SERIES 2

Luffing Jib No. 135 On Boom No. 22EL
 179,100 Lb. Crane Counterweight
 44,000 Lb. Carbody Counterweight
 28 Ft. 2 in. Crawlers Extended
 360 Degree Rating

Designed And Tested
 With The Intent To Be In
 The Scope of ANSI B30.5

160 Ft. Boom, 100 Ft. Jib

Jib Oper. Rad. Feet	88 Degree Boom Angle			83 Degree Boom Angle			80 Degree Boom Angle			75 Degree Boom Angle			70 Degree Boom Angle			65 Degree Boom Angle			60 Degree Boom Angle			Jib Oper. Rad. Feet
	Jib Ang. Deg.	Jib Point Elev. Feet	Luffing Jib Capacity Pounds	Jib Ang. Deg.	Jib Point Elev. Feet	Luffing Jib Capacity Pounds	Jib Ang. Deg.	Jib Point Elev. Feet	Luffing Jib Capacity Pounds	Jib Ang. Deg.	Jib Point Elev. Feet	Luffing Jib Capacity Pounds	Jib Ang. Deg.	Jib Point Elev. Feet	Luffing Jib Capacity Pounds	Jib Ang. Deg.	Jib Point Elev. Feet	Luffing Jib Capacity Pounds	Jib Ang. Deg.	Jib Point Elev. Feet	Luffing Jib Capacity Pounds	
45	71.2	262.6	72,600 *b																			45
50	68.2	260.7	70,300 *b																			50
55	65.1	258.6	67,500 *b																			55
60	61.9	256.1	64,800 *	70.6	260.9	73,300 *b																60
65	58.6	253.2	62,300 *	67.5	259.0	70,700 *b																65
70	55.1	249.9	59,900 *	64.4	256.8	68,100 *																70
75	51.6	246.2	57,700 *	61.1	254.2	65,600 *	66.4	256.9	66,600 b													75
80	47.8	242.0	55,700 *	57.8	251.2	63,200 *	63.3	254.6	61,400													80
85	43.8	237.1	53,800 *	54.4	247.9	60,100	60.0	251.8	57,000													85
90	39.5	231.5	50,500 *	50.8	244.0	56,000	56.6	248.8	53,100													90
95	34.7	224.9	47,400 *	46.9	239.7	52,300	53.1	245.2	49,600	62.3	250.6	45,100										95
100	29.3	216.9	44,500 *	42.9	234.7	49,100	49.5	241.2	46,600	59.1	247.8	42,300										100
105	22.8	206.7	41,800 *	38.5	228.8	46,200	45.6	236.7	43,800	55.7	244.6	39,800										105
110	13.7	191.5	37,400 *	33.6	222.0	43,600	41.4	231.4	41,300	52.1	241.0	37,500										110
115				28.0	213.6	41,200	36.9	225.2	39,100	48.4	236.8	35,500	57.9	242.3	31,900							115
120				21.1	202.7	39,000	31.8	217.9	37,000	44.4	232.0	33,600	54.4	239.0	30,200							120
125				10.7	185.1	37,000	25.8	208.8	35,100	40.2	226.5	31,900	50.8	235.2	28,700							125
130							18.2	196.5	33,400	35.5	220.1	30,300	47.0	230.8	27,200							130
135										30.2	212.4	28,800	43.0	225.8	25,900	52.9	231.9	23,000				135
140										23.9	202.6	27,500	38.6	220.0	24,700	49.2	227.8	21,900				140
145										15.4	188.6	26,200	33.7	213.2	23,500	45.3	223.2	20,900				145
150													28.2	204.8	22,500	41.1	217.9	19,900				150
155													21.3	194.0	21,400	36.5	211.7	19,000	47.1	218.8	16,700	155
160													11.0	176.7	20,500	31.4	204.3	18,200	43.1	213.8	15,900	160
170																17.6	182.3	16,600	33.8	201.2	14,500	170
180																21.5	182.1	13,300	21.5	182.1	13,300	180



Liftcrane Luffing Jib Capacities

888 SERIES 2

Luffing Jib No. 135 On Boom No. 22EL
 179,100 Lb. Crane Counterweight
 44,000 Lb. Carbody Counterweight
 28 Ft. 2 in. Crawlers Extended
 360 Degree Rating

Designed And Tested
 With The Intent To Be In
 The Scope of ANSI B30.5

160 Ft. Boom, 110 Ft. Jib

Jib Oper. Rad. Feet	88 Degree Boom Angle			83 Degree Boom Angle			80 Degree Boom Angle			75 Degree Boom Angle			70 Degree Boom Angle			65 Degree Boom Angle			60 Degree Boom Angle			Jib Oper. Rad. Feet
	Jib Ang. Deg.	Jib Point Elev. Feet	Luffing Jib Capacity Pounds	Jib Ang. Deg.	Jib Point Elev. Feet	Luffing Jib Capacity Pounds	Jib Ang. Deg.	Jib Point Elev. Feet	Luffing Jib Capacity Pounds	Jib Ang. Deg.	Jib Point Elev. Feet	Luffing Jib Capacity Pounds	Jib Ang. Deg.	Jib Point Elev. Feet	Luffing Jib Capacity Pounds	Jib Ang. Deg.	Jib Point Elev. Feet	Luffing Jib Capacity Pounds	Jib Ang. Deg.	Jib Point Elev. Feet	Luffing Jib Capacity Pounds	
45	73.0	273.1	67,200 *b																			45
50	70.3	271.4	65,700 *b																			50
55	67.5	269.5	63,500 *																			55
60	64.6	267.3	61,500 *																			60
65	61.7	264.7	59,400 *	69.6	269.7	65,900 *b																65
70	58.7	261.9	57,500 *	66.8	267.7	64,000 *																70
75	55.6	258.6	55,500 *	64.0	265.4	62,100 *																75
80	52.4	255.0	53,500 *	61.0	262.8	60,200 *	65.9	265.6	61,400													80
85	49.0	250.9	51,700 *	58.0	259.9	58,300 *	63.0	263.2	56,900													85
90	45.5	246.3	48,800 *	54.9	256.6	55,900	60.0	260.5	53,000													90
95	41.7	241.0	45,900 *	51.6	252.9	52,300	56.9	257.4	49,600													95
100	37.6	235.0	43,200 *	48.2	248.7	49,100	53.8	254.0	46,500	62.1	259.3	42,300										100
105	33.1	227.9	40,700 *	44.6	243.9	46,200	50.5	250.1	43,800	59.1	256.5	39,700										105
110	28.0	219.5	38,400 *	40.8	238.5	43,600	47.0	245.7	41,300	56.1	253.3	37,500										110
115	21.8	208.7	36,500 *	36.6	232.2	41,200	43.3	240.7	39,100	52.9	249.7	35,400										115
120	13.0	192.7	34,300 *	32.0	224.9	39,100	39.4	235.1	37,000	49.5	245.7	33,600										120
125				26.7	216.0	37,100	35.1	228.5	35,200	46.0	241.2	31,900	55.0	247.7	28,600							125
130				20.1	204.5	35,300	30.3	220.7	33,400	42.3	236.0	30,300	51.7	244.0	27,200							130
135				10.2	186.0	33,600	24.6	211.1	31,800	38.2	230.1	28,800	48.3	239.8	25,900							135
140							17.3	198.0	30,300	33.8	223.2	27,500	44.7	235.0	24,700							140
145										28.8	215.0	26,200	40.9	229.7	23,500	50.2	236.7	20,900				145
150										22.8	204.6	25,100	36.7	223.4	22,500	46.8	232.3	19,900				150
155										14.7	189.9	24,000	32.1	216.1	21,500	43.1	227.3	19,000				155
160													26.8	207.3	20,500	39.1	221.5	18,200				160
170													10.5	177.7	18,800	29.9	207.0	16,700	41.0	217.6	14,500	170
180																16.7	183.8	15,300	32.2	204.2	13,300	180
190																			20.5	184.0	12,200	190



Liftcrane Luffing Jib Capacities

888 SERIES 2

Luffing Jib No. 135 On Boom No. 22EL
 179,100 Lb. Crane Counterweight
 44,000 Lb. Carbody Counterweight
 28 Ft. 2 in. Crawlers Extended
 360 Degree Rating

Designed And Tested
 With The Intent To Be In
 The Scope of ANSI B30.5

160 Ft. Boom, 120 Ft. Jib

Jib Oper. Rad. Feet	88 Degree Boom Angle			83 Degree Boom Angle			80 Degree Boom Angle			75 Degree Boom Angle			70 Degree Boom Angle			65 Degree Boom Angle			60 Degree Boom Angle			Jib Oper. Rad. Feet
	Jib Ang. Deg.	Jib Point Elev. Feet	Luffing Jib Capacity Pounds	Jib Ang. Deg.	Jib Point Elev. Feet	Luffing Jib Capacity Pounds	Jib Ang. Deg.	Jib Point Elev. Feet	Luffing Jib Capacity Pounds	Jib Ang. Deg.	Jib Point Elev. Feet	Luffing Jib Capacity Pounds	Jib Ang. Deg.	Jib Point Elev. Feet	Luffing Jib Capacity Pounds	Jib Ang. Deg.	Jib Point Elev. Feet	Luffing Jib Capacity Pounds	Jib Ang. Deg.	Jib Point Elev. Feet	Luffing Jib Capacity Pounds	
45	74.5	283.5	54,700 *b																			45
50	72.0	282.0	53,700 *b																			50
55	69.4	280.2	52,700 *																			55
60	66.9	278.2	51,800 *																			60
65	64.2	276.0	50,900 *																			65
70	61.5	273.4	49,100 *	68.9	278.5	53,500 *																70
75	58.8	270.5	47,400 *	66.3	276.5	52,800 *																75
80	56.0	267.3	45,600 *	63.6	274.1	51,200 *	68.0	276.5	52,800 *													80
85	53.0	263.8	44,000 *	61.0	271.5	49,500 *	65.4	274.3	52,100 *													85
90	50.0	259.8	42,400 *	58.2	268.6	47,700 *	62.7	271.9	50,500 *													90
95	46.8	255.3	40,900 *	55.3	265.3	46,000 *	60.0	269.2	48,900 *													95
100	43.4	250.4	39,500 *	52.4	261.6	44,400 *	57.2	266.1	46,200													100
105	39.8	244.7	38,200 *	49.3	257.6	42,800 *	54.3	262.7	43,400	62.0	267.9	39,300										105
110	35.9	238.3	36,700 *	46.1	253.0	41,300 *	51.3	258.9	41,000	59.2	265.1	37,100										110
115	31.6	230.8	34,800 *	42.6	247.9	39,900 *	48.2	254.7	38,700	56.4	262.0	35,000										115
120	26.7	221.9	33,000 *	39.0	242.1	38,600 *	44.9	250.0	36,700	53.5	258.5	33,200										120
125	20.8	210.5	31,500 *	35.0	235.5	36,900	41.4	244.6	34,800	50.4	254.6	31,500										125
130	12.5	193.8	30,300 *	30.6	227.7	35,100	37.7	238.6	33,100	47.3	250.2	29,900	55.4	256.4	26,800							130
135				25.5	218.4	33,400	33.6	231.6	31,600	43.9	245.3	28,500	52.4	252.8	25,500							135
140				19.3	206.2	31,800	29.0	223.3	30,100	40.4	239.8	27,200	49.4	248.7	24,300							140
145				9.7	186.9	30,400	23.6	213.2	28,700	36.5	233.5	25,900	46.1	244.2	23,100							145
150							16.6	199.5	27,400	32.3	226.2	24,800	42.7	239.1	22,100	51.1	245.5	19,500				150
155										27.5	217.5	23,700	39.1	233.3	21,100	48.0	241.3	18,600				155
160										21.8	206.6	22,700	35.1	226.7	20,200	44.7	236.5	17,800				160
170													25.7	209.6	18,500	37.4	225.0	16,300	46.2	232.1	14,100	170
180													10.0	178.6	17,000	28.6	209.6	14,900	39.2	221.3	12,900	180
190																16.0	185.2	13,700	30.8	207.0	11,800	190
200																			19.6	185.7	10,800	200



Liftcrane Luffing Jib Capacities

888 SERIES 2

Luffing Jib No. 135 On Boom No. 22EL
 179,100 Lb. Crane Counterweight
 44,000 Lb. Carbody Counterweight
 28 Ft. 2 in. Crawlers Extended
 360 Degree Rating

Designed And Tested
 With The Intent To Be In
 The Scope of ANSI B30.5

160 Ft. Boom, 130 Ft. Jib

Jib Oper. Rad. Feet	88 Degree Boom Angle			83 Degree Boom Angle			80 Degree Boom Angle			75 Degree Boom Angle			70 Degree Boom Angle			65 Degree Boom Angle			60 Degree Boom Angle			Jib Oper. Rad. Feet
	Jib Ang. Deg.	Jib Point Elev. Feet	Luffing Jib Capacity Pounds	Jib Ang. Deg.	Jib Point Elev. Feet	Luffing Jib Capacity Pounds	Jib Ang. Deg.	Jib Point Elev. Feet	Luffing Jib Capacity Pounds	Jib Ang. Deg.	Jib Point Elev. Feet	Luffing Jib Capacity Pounds	Jib Ang. Deg.	Jib Point Elev. Feet	Luffing Jib Capacity Pounds	Jib Ang. Deg.	Jib Point Elev. Feet	Luffing Jib Capacity Pounds	Jib Ang. Deg.	Jib Point Elev. Feet	Luffing Jib Capacity Pounds	
45	75.7	293.9	51,200 *b																			45
50	73.4	292.5	50,300 *b																			50
55	71.1	290.9	49,500 *																			55
60	68.7	289.0	48,600 *																			60
65	66.3	287.0	47,000 *																			65
70	63.9	284.6	45,400 *	70.6	289.2	49,800 *																70
75	61.4	282.1	43,800 *	68.2	287.3	48,700 *																75
80	58.9	279.2	42,200 *	65.8	285.2	47,200 *																80
85	56.3	276.0	40,700 *	63.4	282.8	45,600 *	67.4	285.2	47,800 *													85
90	53.6	272.5	39,200 *	60.9	280.2	44,100 *	65.0	283.0	46,400 *													90
95	50.8	268.6	37,800 *	58.3	277.2	42,500 *	62.5	280.6	45,000 *													95
100	47.9	264.3	36,500 *	55.7	274.0	41,100 *	60.0	277.8	43,600 *													100
105	44.8	259.6	35,200 *	53.0	270.4	39,600 *	57.4	274.8	42,100 *													105
110	41.6	254.3	34,000 *	50.2	266.4	38,200 *	54.8	271.4	40,700	61.8	276.6	36,800										110
115	38.2	248.3	32,800 *	47.2	262.0	36,900 *	52.0	267.7	38,500	59.3	273.8	34,800										115
120	34.5	241.5	31,800 *	44.2	257.2	35,600 *	49.2	263.6	36,500	56.7	270.7	32,900										120
125	30.4	233.6	30,400 *	40.9	251.7	34,400 *	46.2	259.1	34,600	54.0	267.2	31,200										125
130	25.7	224.2	29,000 *	37.4	245.6	33,200 *	43.0	254.0	32,900	51.2	263.4	29,700										130
135	20.0	212.3	27,700 *	33.6	238.6	32,200 *	39.7	248.3	31,300	48.3	259.2	28,200	55.8	265.1	25,200							135
140	12.0	194.9	26,800 *	29.4	230.4	31,100 *	36.1	241.9	29,900	45.3	254.5	26,900	53.0	261.5	24,000							140
145				24.5	220.6	30,200 *	32.2	234.5	28,500	42.1	249.2	25,700	50.2	257.6	22,900							145
150				18.5	207.9	28,900	27.8	225.9	27,300	38.7	243.4	24,500	47.3	253.2	21,800							150
155				9.4	187.8	27,700	22.6	215.2	26,100	35.1	236.7	23,500	44.2	248.3	20,900	51.8	254.3	18,300				155
160							15.9	201.0	25,000	31.0	229.0	22,500	41.0	242.9	20,000	49.0	250.2	17,500				160
170										20.9	208.5	20,600	33.7	229.8	18,300	42.8	240.5	16,000				170
180													24.6	211.9	16,800	35.9	228.3	14,700	44.3	236.3	12,600	180
190													9.6	179.4	15,400	27.5	212.1	13,500	37.6	224.8	11,500	190
200																15.4	186.6	12,400	29.6	209.7	10,600	200
210																			18.8	187.4	9,700	210



Liftcrane Luffing Jib Capacities

888 SERIES 2

Luffing Jib No. 135 On Boom No. 22EL
 179,100 Lb. Crane Counterweight
 44,000 Lb. Carbody Counterweight
 28 Ft. 2 in. Crawlers Extended
 360 Degree Rating

Designed And Tested
 With The Intent To Be In
 The Scope of ANSI B30.5

160 Ft. Boom, 140 Ft. Jib

Jib Oper. Rad. Feet	88 Degree Boom Angle			83 Degree Boom Angle			80 Degree Boom Angle			75 Degree Boom Angle			70 Degree Boom Angle			65 Degree Boom Angle			60 Degree Boom Angle			Jib Oper. Rad. Feet
	Jib Ang. Deg.	Jib Point Elev. Feet	Luffing Jib Capacity Pounds	Jib Ang. Deg.	Jib Point Elev. Feet	Luffing Jib Capacity Pounds	Jib Ang. Deg.	Jib Point Elev. Feet	Luffing Jib Capacity Pounds	Jib Ang. Deg.	Jib Point Elev. Feet	Luffing Jib Capacity Pounds	Jib Ang. Deg.	Jib Point Elev. Feet	Luffing Jib Capacity Pounds	Jib Ang. Deg.	Jib Point Elev. Feet	Luffing Jib Capacity Pounds	Jib Ang. Deg.	Jib Point Elev. Feet	Luffing Jib Capacity Pounds	
50	74.6	302.9	46,900 *b																			50
55	72.5	301.4	46,200 *																			55
60	70.3	299.7	44,900 *																			60
65	68.1	297.8	43,300 *																			65
70	65.9	295.7	41,700 *																			70
75	63.6	293.3	40,200 *	69.8	298.0	44,700 *																75
80	61.3	290.7	38,700 *	67.6	296.1	43,300 *																80
85	59.0	287.9	37,200 *	65.4	293.9	41,800 *																85
90	56.6	284.7	35,800 *	63.1	291.5	40,400 *	66.9	294.0	42,500 *													90
95	54.1	281.2	34,500 *	60.8	288.8	38,900 *	64.6	291.7	41,100 *													95
100	51.5	277.4	33,200 *	58.4	285.9	37,500 *	62.3	289.2	39,800 *													100
105	48.8	273.3	31,900 *	56.0	282.7	36,100 *	60.0	286.5	38,400 *													105
110	46.0	268.7	30,700 *	53.5	279.1	34,800 *	57.6	283.5	37,100 *													110
115	43.1	263.6	29,500 *	50.9	275.3	33,400 *	55.1	280.1	35,700 *	61.7	285.3	34,400										115
120	40.1	258.0	28,400 *	48.2	271.0	32,200 *	52.6	276.5	34,400 *	59.3	282.5	32,500										120
125	36.8	251.7	27,400 *	45.4	266.3	30,900 *	50.0	272.5	33,200 *	56.9	279.3	30,800										125
130	33.2	244.5	26,400 *	42.5	261.1	29,800 *	47.3	268.1	31,900 *	54.4	275.9	29,300										130
135	29.2	236.3	25,400 *	39.3	255.4	28,700 *	44.4	263.2	30,700 *	51.9	272.2	27,900										135
140	24.7	226.4	24,600 *	36.0	248.9	27,600 *	41.4	257.8	29,600	49.2	268.1	26,500	56.1	273.8	23,600							140
145	19.3	214.1	23,900 *	32.4	241.5	26,600 *	38.2	251.8	28,200	46.5	263.5	25,300	53.6	270.3	22,500							145
150	11.5	195.9	23,300 *	28.3	233.0	25,700 *	34.8	245.1	27,000	43.6	258.5	24,200	51.0	266.4	21,400							150
155				23.6	222.7	24,800 *	31.0	237.4	25,800	40.5	253.0	23,100	48.3	262.2	20,500							155
160				17.8	209.5	24,100 *	26.8	228.3	24,700	37.3	246.8	22,100	45.5	257.5	19,600	52.4	263.1	17,100				160
170							15.4	202.3	22,700	29.9	231.7	20,300	39.4	246.5	17,900	47.1	254.6	15,600				170
180										20.2	210.3	18,700	32.4	232.7	16,500	41.2	244.3	14,300				180
190													23.7	214.0	15,200	34.5	231.5	13,100	42.6	240.3	11,100	190
200													9.3	180.3	13,900	26.5	214.5	12,100	36.1	228.1	10,200	200
210																14.8	187.9	11,100	28.5	212.3	9,300	210
220																			18.1	189.1	8,500	220



Liftcrane Luffing Jib Capacities

888 SERIES 2

Luffing Jib No. 135 On Boom No. 22EL
 179,100 Lb. Crane Counterweight
 44,000 Lb. Carbody Counterweight
 28 Ft. 2 in. Crawlers Extended
 360 Degree Rating

Designed And Tested
 With The Intent To Be In
 The Scope of ANSI B30.5

160 Ft. Boom, 150 Ft. Jib

Jib Oper. Rad. Feet	88 Degree Boom Angle			83 Degree Boom Angle			80 Degree Boom Angle			75 Degree Boom Angle			70 Degree Boom Angle			65 Degree Boom Angle			60 Degree Boom Angle			Jib Oper. Rad. Feet
	Jib Ang. Deg.	Jib Point Elev. Feet	Luffing Jib Capacity Pounds	Jib Ang. Deg.	Jib Point Elev. Feet	Luffing Jib Capacity Pounds	Jib Ang. Deg.	Jib Point Elev. Feet	Luffing Jib Capacity Pounds	Jib Ang. Deg.	Jib Point Elev. Feet	Luffing Jib Capacity Pounds	Jib Ang. Deg.	Jib Point Elev. Feet	Luffing Jib Capacity Pounds	Jib Ang. Deg.	Jib Point Elev. Feet	Luffing Jib Capacity Pounds	Jib Ang. Deg.	Jib Point Elev. Feet	Luffing Jib Capacity Pounds	
50	75.7	313.2	43,800 *																			50
55	73.7	311.8	43,000 *																			55
60	71.7	310.3	41,500 *																			60
65	69.6	308.5	40,000 *																			65
70	67.6	306.6	38,600 *																			70
75	65.5	304.4	37,100 *																			75
80	63.4	302.0	35,700 *	69.2	306.8	39,900 *																80
85	61.2	299.4	34,300 *	67.1	304.8	38,500 *																85
90	59.0	296.5	32,900 *	65.1	302.6	37,200 *																90
95	56.8	293.4	31,600 *	62.9	300.2	35,800 *	66.4	302.7	37,800 *													95
100	54.5	290.0	30,400 *	60.8	297.5	34,400 *	64.3	300.4	36,500 *													100
105	52.1	286.2	29,100 *	58.5	294.6	33,100 *	62.2	297.9	35,300 *													105
110	49.6	282.2	27,900 *	56.3	291.4	31,800 *	60.0	295.2	34,000 *													110
115	47.1	277.7	26,800 *	54.0	287.9	30,600 *	57.8	292.1	32,700 *													115
120	44.4	272.8	25,700 *	51.6	284.1	29,300 *	55.5	288.8	31,500 *	61.6	293.9	32,400										120
125	41.6	267.5	24,700 *	49.1	279.9	28,100 *	53.1	285.2	30,200 *	59.4	291.1	30,700										125
130	38.6	261.6	23,700 *	46.5	275.4	27,000 *	50.7	281.3	29,000 *	57.1	288.0	29,200										130
135	35.5	254.9	22,700 *	43.8	270.4	25,900 *	48.2	277.1	27,900 *	54.8	284.6	27,800										135
140	32.0	247.4	21,800 *	41.0	264.9	24,900 *	45.6	272.4	26,800 *	52.5	281.0	26,400										140
145	28.2	238.8	21,000 *	38.0	258.9	23,900 *	42.8	267.2	25,700 *	50.0	276.9	25,200	56.3	282.5	22,300							145
150	23.9	228.6	20,200 *	34.7	252.1	22,900 *	39.9	261.6	24,700 *	47.5	272.6	24,100	54.0	279.0	21,300							150
155	18.6	215.7	19,500 *	31.2	244.4	22,000 *	36.9	255.2	23,700 *	44.8	267.8	23,000	51.6	275.2	20,400							155
160	11.2	196.9	18,900 *	27.3	235.4	21,200 *	33.6	248.2	22,700 *	42.0	262.5	22,000	49.1	271.1	19,500							160
170				17.2	211.0	19,700 *	25.8	230.6	21,000 *	36.0	250.1	20,300	43.9	261.6	17,800	50.5	267.9	15,500				170
180							14.8	203.7	19,600 *	28.8	234.4	18,700	38.0	250.0	16,400	45.4	258.9	14,200				180
190										19.5	212.1	17,200	31.3	235.6	15,100	39.7	248.0	13,000	46.6	254.5	11,000	190
200													22.9	216.1	13,900	33.3	234.5	12,000	41.1	244.1	10,100	200
210													9.0	181.1	12,800	25.5	216.8	11,000	34.9	231.3	9,200	210
220																14.3	189.2	10,100	27.5	214.8	8,500	220
230																			17.5	190.6	7,700	230



Liftcrane Luffing Jib Capacities

888 SERIES 2

Luffing Jib No. 135 On Boom No. 22EL
 179,100 Lb. Crane Counterweight
 44,000 Lb. Carbody Counterweight
 28 Ft. 2 in. Crawlers Extended
 360 Degree Rating

Designed And Tested
 With The Intent To Be In
 The Scope of ANSI B30.5

160 Ft. Boom, 160 Ft. Jib

Jib Oper. Rad. Feet	88 Degree Boom Angle			83 Degree Boom Angle			80 Degree Boom Angle			75 Degree Boom Angle			70 Degree Boom Angle			65 Degree Boom Angle			60 Degree Boom Angle			Jib Oper. Rad. Feet
	Jib Ang. Deg.	Jib Point Elev. Feet	Luffing Jib Capacity Pounds	Jib Ang. Deg.	Jib Point Elev. Feet	Luffing Jib Capacity Pounds	Jib Ang. Deg.	Jib Point Elev. Feet	Luffing Jib Capacity Pounds	Jib Ang. Deg.	Jib Point Elev. Feet	Luffing Jib Capacity Pounds	Jib Ang. Deg.	Jib Point Elev. Feet	Luffing Jib Capacity Pounds	Jib Ang. Deg.	Jib Point Elev. Feet	Luffing Jib Capacity Pounds	Jib Ang. Deg.	Jib Point Elev. Feet	Luffing Jib Capacity Pounds	
55	74.7	322.2	39,600 *																			55
60	72.9	320.8	38,100 *																			60
65	71.0	319.1	36,700 *																			65
70	69.1	317.3	35,300 *																			70
75	67.1	315.3	33,900 *																			75
80	65.2	313.1	32,600 *	70.6	317.5	36,400 *																80
85	63.2	310.7	31,200 *	68.6	315.6	35,100 *																85
90	61.2	308.1	29,900 *	66.7	313.6	33,900 *																90
95	59.1	305.2	28,600 *	64.7	311.3	32,600 *	68.0	313.6	34,400 *													95
100	57.0	302.1	27,400 *	62.7	308.8	31,300 *	66.0	311.4	33,200 *													100
105	54.8	298.7	26,200 *	60.7	306.2	30,000 *	64.1	309.1	32,000 *													105
110	52.6	295.0	25,000 *	58.6	303.2	28,700 *	62.0	306.6	30,800 *													110
115	50.3	291.0	23,900 *	56.5	300.1	27,500 *	60.0	303.8	29,600 *													115
120	47.9	286.7	22,900 *	54.3	296.6	26,300 *	57.9	300.8	28,400 *													120
125	45.5	282.0	21,800 *	52.1	292.9	25,200 *	55.8	297.5	27,200 *	61.5	302.6	30,000 *										125
130	42.9	276.9	20,800 *	49.8	288.8	24,000 *	53.6	294.0	26,000 *	59.4	299.8	28,800										130
135	40.2	271.2	19,900 *	47.4	284.4	23,000 *	51.3	290.1	24,900 *	57.3	296.7	27,400										135
140	37.4	265.0	19,000 *	44.9	279.6	21,900 *	49.0	286.0	23,800 *	55.2	293.3	26,100										140
145	34.3	258.1	18,100 *	42.3	274.4	20,900 *	46.6	281.4	22,700 *	52.9	289.7	24,900										145
150	31.0	250.3	17,300 *	39.6	268.6	20,000 *	44.0	276.5	21,700 *	50.7	285.8	23,700	56.6	291.2	20,900							150
155	27.3	241.3	16,600 *	36.7	262.2	19,100 *	41.4	271.1	20,700 *	48.3	281.5	22,700	54.4	287.7	20,000							155
160	23.1	230.7	15,900 *	33.6	255.1	18,200 *	38.6	265.1	19,800 *	45.9	276.9	21,700	52.2	284.0	19,100							160
170	10.8	197.9	14,700 *	26.4	237.8	16,700 *	32.5	251.1	18,100 *	40.6	266.2	19,900	47.5	275.6	17,500							170
180				16.7	212.5	15,300 *	25.0	232.9	16,500 *	34.8	253.3	18,300	42.4	265.5	16,000	48.8	272.6	13,800				180
190							14.4	204.9	15,200 *	27.9	236.9	16,900	36.8	253.4	14,800	43.9	263.0	12,600				190
200										18.9	213.7	15,600	30.3	238.3	13,600	38.4	251.6	11,600	45.0	258.7	9,700	200
210													22.2	218.0	12,500	32.2	237.5	10,700	39.7	247.8	8,800	210
220													8.7	181.8	11,500	24.7	219.0	9,800	33.7	234.4	8,100	220
230																13.9	190.5	9,000	26.6	217.2	7,400	230
240																16.9	192.1	6,700	16.9	192.1	6,700	240



Liftcrane Luffing Jib Capacities

888 SERIES 2

Luffing Jib No. 135 On Boom No. 22EL
 179,100 Lb. Crane Counterweight
 44,000 Lb. Carbody Counterweight
 28 Ft. 2 in. Crawlers Extended
 360 Degree Rating

Designed And Tested
 With The Intent To Be In
 The Scope of ANSI B30.5

160 Ft. Boom, 170 Ft. Jib

Jib Oper. Rad. Feet	88 Degree Boom Angle			83 Degree Boom Angle			80 Degree Boom Angle			75 Degree Boom Angle			70 Degree Boom Angle			65 Degree Boom Angle			60 Degree Boom Angle			Jib Oper. Rad. Feet
	Jib Ang. Deg.	Jib Point Elev. Feet	Luffing Jib Capacity Pounds	Jib Ang. Deg.	Jib Point Elev. Feet	Luffing Jib Capacity Pounds	Jib Ang. Deg.	Jib Point Elev. Feet	Luffing Jib Capacity Pounds	Jib Ang. Deg.	Jib Point Elev. Feet	Luffing Jib Capacity Pounds	Jib Ang. Deg.	Jib Point Elev. Feet	Luffing Jib Capacity Pounds	Jib Ang. Deg.	Jib Point Elev. Feet	Luffing Jib Capacity Pounds	Jib Ang. Deg.	Jib Point Elev. Feet	Luffing Jib Capacity Pounds	
55	75.6	332.6	36,200 *																			55
60	73.9	331.2	35,200 *																			60
65	72.1	329.7	33,900 *																			65
70	70.3	328.0	32,600 *																			70
75	68.5	326.1	31,300 *																			75
80	66.7	324.1	30,000 *																			80
85	64.9	321.8	28,700 *	70.0	326.3	32,300 *																85
90	63.0	319.4	27,500 *	68.2	324.4	31,100 *																90
95	61.1	316.7	26,200 *	66.3	322.3	29,900 *																95
100	59.2	313.8	25,000 *	64.5	320.0	28,700 *	67.5	322.3	30,400 *													100
105	57.2	310.7	23,900 *	62.6	317.5	27,500 *	65.7	320.2	29,300 *													105
110	55.1	307.4	22,800 *	60.7	314.8	26,300 *	63.8	317.8	28,100 *													110
115	53.1	303.8	21,700 *	58.7	311.9	25,100 *	61.9	315.2	27,000 *													115
120	50.9	299.9	20,700 *	56.7	308.7	24,000 *	60.0	312.5	25,900 *													120
125	48.7	295.6	19,700 *	54.7	305.3	22,800 *	58.0	309.5	24,700 *													125
130	46.4	291.1	18,700 *	52.6	301.6	21,800 *	56.0	306.2	23,600 *	61.4	311.3	26,300 *										130
135	44.1	286.1	17,800 *	50.4	297.7	20,700 *	54.0	302.7	22,500 *	59.4	308.4	25,300 *										135
140	41.6	280.7	16,900 *	48.2	293.4	19,700 *	51.9	298.9	21,500 *	57.5	305.4	24,200 *										140
145	39.0	274.8	16,100 *	45.9	288.7	18,800 *	49.7	294.9	20,500 *	55.4	302.0	23,200 *										145
150	36.2	268.3	15,300 *	43.5	283.7	17,800 *	47.4	290.4	19,500 *	53.4	298.5	22,200 *										150
155	33.3	261.1	14,500 *	41.0	278.2	17,000 *	45.1	285.7	18,500 *	51.2	294.6	21,200 *	56.8	299.9	19,700							155
160	30.0	253.0	13,800 *	38.4	272.1	16,100 *	42.7	280.5	17,600 *	49.1	290.4	20,200 *	54.7	296.4	18,800							160
170	22.4	232.7	12,300 *	32.6	258.1	14,600 *	37.4	268.6	15,900 *	44.4	281.0	18,400 *	50.5	288.8	17,200							170
180	10.5	198.8	10,800 *	25.6	240.1	13,100 *	31.5	254.0	14,400 *	39.4	269.9	16,600 *	46.0	279.9	15,800	51.7	285.6	13,500				180
190				16.2	214.0	11,400 *	24.2	235.1	12,800 *	33.7	256.4	15,000 *	41.1	269.3	14,500	47.3	277.0	12,400				190
200							13.9	206.2	11,200 *	27.0	239.3	13,600 *	35.6	256.7	13,300	42.5	267.0	11,300				200
210										18.3	215.4	11,800 *	29.4	241.0	12,300	37.2	255.0	10,400	43.6	262.8	8,600	210
220													21.5	220.0	11,400	31.2	240.3	9,600	38.5	251.3	7,800	220
230													8.4	182.6	10,400	24.0	221.2	8,800	32.7	237.4	7,100	230
240																13.4	191.7	8,000	25.8	219.5	6,500	240
250																			16.4	193.6	5,900	250



Liftcrane Luffing Jib Capacities

888 SERIES 2

Luffing Jib No. 135 On Boom No. 22EL
 179,100 Lb. Crane Counterweight
 44,000 Lb. Carbody Counterweight
 28 Ft. 2 in. Crawlers Extended
 360 Degree Rating

Designed And Tested
 With The Intent To Be In
 The Scope of ANSI B30.5

170 Ft. Boom, 70 Ft. Jib

Jib Oper. Rad. Feet	88 Degree Boom Angle			83 Degree Boom Angle			80 Degree Boom Angle			75 Degree Boom Angle			70 Degree Boom Angle			65 Degree Boom Angle			60 Degree Boom Angle			Jib Oper. Rad. Feet	
	Jib Ang. Deg.	Jib Point Elev. Feet	Luffing Jib Capacity Pounds	Jib Ang. Deg.	Jib Point Elev. Feet	Luffing Jib Capacity Pounds	Jib Ang. Deg.	Jib Point Elev. Feet	Luffing Jib Capacity Pounds	Jib Ang. Deg.	Jib Point Elev. Feet	Luffing Jib Capacity Pounds	Jib Ang. Deg.	Jib Point Elev. Feet	Luffing Jib Capacity Pounds	Jib Ang. Deg.	Jib Point Elev. Feet	Luffing Jib Capacity Pounds	Jib Ang. Deg.	Jib Point Elev. Feet	Luffing Jib Capacity Pounds		
50	58.3	237.4	89,400 *b																			50	
55	53.3	234.0	86,200 *b																				55
60	48.0	229.9	83,300 *b																				60
65	42.2	224.9	77,600 *	58.0	235.9	84,200 b																	65
70	35.7	218.8	71,100 *	53.1	232.5	76,800 b	61.6	236.7	72,800 b														70
75	28.0	210.7	65,500 *	47.8	228.4	70,500	56.9	233.7	66,800 b														75
80	17.3	198.8	55,100 *	42.0	223.3	65,100	51.8	230.1	61,700 b														80
85				35.4	217.1	60,400	46.4	225.8	57,200	61.1	233.0	52,000 b											85
90				27.6	208.9	56,200	40.5	220.5	53,300	56.3	229.9	48,500 b											90
95				16.7	196.6	52,500	33.7	213.9	49,900	51.2	226.3	45,300 b											95
100							25.3	205.1	46,800	45.8	221.9	42,500											100
105							12.8	190.6	43,900	39.7	216.4	40,000	55.4	224.7	36,000 b								105
110										32.8	209.6	37,700	50.3	220.9	33,900 b								110
115										24.2	200.4	35,600	44.7	216.3	32,100								115
120										10.5	184.5	33,600	38.6	210.7	30,400								120
125													31.4	203.5	28,800	48.8	213.9	25,600					125
130													22.3	193.7	27,300	43.1	209.0	24,300					130
135													4.9	173.0	25,800	36.7	203.0	23,100					135
140																29.2	195.3	22,000	46.7	205.1	19,300		140
145																19.2	184.2	20,900	40.7	199.8	18,400		145
150																			34.0	193.3	17,500		150
155																			25.7	184.6	16,700		155
160																			13.6	170.6	15,900		160



Liftcrane Luffing Jib Capacities

888 SERIES 2

Luffing Jib No. 135 On Boom No. 22EL
 179,100 Lb. Crane Counterweight
 44,000 Lb. Carbody Counterweight
 28 Ft. 2 in. Crawlers Extended
 360 Degree Rating

Designed And Tested
 With The Intent To Be In
 The Scope of ANSI B30.5

170 Ft. Boom, 80 Ft. Jib

Jib Oper. Rad. Feet	88 Degree Boom Angle			83 Degree Boom Angle			80 Degree Boom Angle			75 Degree Boom Angle			70 Degree Boom Angle			65 Degree Boom Angle			60 Degree Boom Angle			Jib Oper. Rad. Feet
	Jib Ang. Deg.	Jib Point Elev. Feet	Luffing Jib Capacity Pounds	Jib Ang. Deg.	Jib Point Elev. Feet	Luffing Jib Capacity Pounds	Jib Ang. Deg.	Jib Point Elev. Feet	Luffing Jib Capacity Pounds	Jib Ang. Deg.	Jib Point Elev. Feet	Luffing Jib Capacity Pounds	Jib Ang. Deg.	Jib Point Elev. Feet	Luffing Jib Capacity Pounds	Jib Ang. Deg.	Jib Point Elev. Feet	Luffing Jib Capacity Pounds	Jib Ang. Deg.	Jib Point Elev. Feet	Luffing Jib Capacity Pounds	
50	62.6	248.9	82,800 *b																			50
55	58.5	246.1	79,700 *b																			55
60	54.2	242.8	76,800 *	66.4	249.8	86,200 *b																60
65	49.6	238.8	73,900 *	62.4	247.4	83,800 b																65
70	44.7	234.2	68,900 *	58.3	244.6	76,400 b	65.4	247.9	72,400 b													70
75	39.4	228.7	64,200 *	54.0	241.2	70,200	61.4	245.4	66,400 b													75
80	33.4	221.9	59,900 *	49.4	237.3	64,800	57.3	242.4	61,300 b													80
85	26.1	213.1	56,000 *	44.5	232.6	60,100	52.9	238.9	56,900													85
90	16.2	200.2	48,300 *	39.1	227.0	56,000	48.3	234.8	53,000	61.0	241.6	48,000 b										90
95				33.1	220.2	52,400	43.3	229.9	49,600	56.8	238.6	44,900 b										95
100				25.8	211.3	49,100	37.7	224.1	46,500	52.4	235.1	42,100										100
105				15.6	198.1	46,200	31.4	216.8	43,800	47.7	230.9	39,600										105
110							23.7	207.2	41,200	42.7	225.9	37,400	56.0	233.4	33,500							110
115							12.0	191.7	38,900	37.1	219.9	35,300	51.6	229.7	31,600							115
120										30.6	212.5	33,400	46.8	225.4	30,000							120
125										22.7	202.5	31,700	41.7	220.3	28,400							125
130										9.8	185.3	30,000	36.0	214.0	27,000	50.3	222.7	23,900				130
135													29.3	206.2	25,700	45.5	218.2	22,700				135
140													20.9	195.6	24,400	40.2	212.8	21,600				140
145													4.6	173.5	23,200	34.3	206.2	20,600				145
150																27.3	197.8	19,600	43.5	209.2	17,100	150
155																17.9	185.8	18,700	38.0	203.4	16,300	155
160																			31.7	196.2	15,500	160
170																			12.7	171.7	14,100	170



Liftcrane Luffing Jib Capacities

888 SERIES 2

Luffing Jib No. 135 On Boom No. 22EL
 179,100 Lb. Crane Counterweight
 44,000 Lb. Carbody Counterweight
 28 Ft. 2 in. Crawlers Extended
 360 Degree Rating

Designed And Tested
 With The Intent To Be In
 The Scope of ANSI B30.5

170 Ft. Boom, 90 Ft. Jib

Jib Oper. Rad. Feet	88 Degree Boom Angle			83 Degree Boom Angle			80 Degree Boom Angle			75 Degree Boom Angle			70 Degree Boom Angle			65 Degree Boom Angle			60 Degree Boom Angle			Jib Oper. Rad. Feet
	Jib Ang. Deg.	Jib Point Elev. Feet	Luffing Jib Capacity Pounds	Jib Ang. Deg.	Jib Point Elev. Feet	Luffing Jib Capacity Pounds	Jib Ang. Deg.	Jib Point Elev. Feet	Luffing Jib Capacity Pounds	Jib Ang. Deg.	Jib Point Elev. Feet	Luffing Jib Capacity Pounds	Jib Ang. Deg.	Jib Point Elev. Feet	Luffing Jib Capacity Pounds	Jib Ang. Deg.	Jib Point Elev. Feet	Luffing Jib Capacity Pounds	Jib Ang. Deg.	Jib Point Elev. Feet	Luffing Jib Capacity Pounds	
45	69.3	262.1	76,700 *b																			45
50	65.9	260.0	74,800 *b																			50
55	62.3	257.6	72,100 *b																			55
60	58.7	254.8	69,400 *	69.1	260.6	78,200 *b																60
65	54.8	251.5	67,000 *	65.7	258.5	76,100 *b																65
70	50.9	247.7	64,700 *	62.1	256.1	73,600 *b																70
75	46.6	243.3	61,500 *	58.5	253.3	70,000	64.8	256.6	66,200 b													75
80	42.1	238.2	57,600 *	54.7	250.0	64,600	61.3	254.0	61,100 b													80
85	37.1	232.1	53,900 *	50.7	246.1	59,900	57.6	251.1	56,700													85
90	31.4	224.8	50,500 *	46.4	241.7	55,900	53.7	247.6	52,800													90
95	24.6	215.4	47,600 *	41.8	236.6	52,200	49.7	243.7	49,400	60.9	250.3	44,600 b										95
100	15.3	201.6	42,900 *	36.8	230.5	49,000	45.3	239.1	46,300	57.1	247.3	41,900										100
105				31.1	223.0	46,100	40.7	233.7	43,600	53.3	243.8	39,400										105
110				24.3	213.5	43,500	35.5	227.4	41,100	49.2	239.8	37,100										110
115				14.7	199.4	41,100	29.6	219.5	38,900	44.8	235.1	35,100	56.4	242.1	31,400							115
120							22.3	209.3	36,800	40.1	229.7	33,300	52.5	238.5	29,700							120
125							11.3	192.7	34,900	34.9	223.2	31,600	48.4	234.4	28,200							125
130										28.9	215.1	30,000	44.0	229.6	26,800							130
135										21.3	204.5	28,500	39.2	223.9	25,500	51.4	231.6	22,400				135
140										9.3	186.2	27,100	33.9	217.2	24,200	47.2	227.3	21,400				140
145													27.6	208.8	23,100	42.7	222.3	20,300				145
150													19.7	197.4	22,000	37.8	216.3	19,400				150
155													4.3	173.9	21,000	32.2	209.2	18,500	45.5	218.4	16,000	155
160																25.7	200.2	17,700	40.9	213.1	15,300	160
170																			29.9	199.0	14,000	170
180																			11.9	172.8	12,700	180



Liftcrane Luffing Jib Capacities

888 SERIES 2

Luffing Jib No. 135 On Boom No. 22EL
 179,100 Lb. Crane Counterweight
 44,000 Lb. Carbody Counterweight
 28 Ft. 2 in. Crawlers Extended
 360 Degree Rating

Designed And Tested
 With The Intent To Be In
 The Scope of ANSI B30.5

170 Ft. Boom, 100 Ft. Jib

Jib Oper. Rad. Feet	88 Degree Boom Angle			83 Degree Boom Angle			80 Degree Boom Angle			75 Degree Boom Angle			70 Degree Boom Angle			65 Degree Boom Angle			60 Degree Boom Angle			Jib Oper. Rad. Feet
	Jib Ang. Deg.	Jib Point Elev. Feet	Luffing Jib Capacity Pounds	Jib Ang. Deg.	Jib Point Elev. Feet	Luffing Jib Capacity Pounds	Jib Ang. Deg.	Jib Point Elev. Feet	Luffing Jib Capacity Pounds	Jib Ang. Deg.	Jib Point Elev. Feet	Luffing Jib Capacity Pounds	Jib Ang. Deg.	Jib Point Elev. Feet	Luffing Jib Capacity Pounds	Jib Ang. Deg.	Jib Point Elev. Feet	Luffing Jib Capacity Pounds	Jib Ang. Deg.	Jib Point Elev. Feet	Luffing Jib Capacity Pounds	
45	71.4	272.7	70,700 *b																			45
50	68.4	270.9	69,800 *b																			50
55	65.3	268.7	67,100 *b																			55
60	62.1	266.3	64,500 *																			60
65	58.8	263.4	62,100 *	68.3	269.4	70,700 *b																65
70	55.4	260.2	59,800 *	65.1	267.3	68,200 *b																70
75	51.8	256.5	57,600 *	61.9	264.8	65,800 *	67.5	267.5	65,800 b													75
80	48.1	252.3	55,100 *	58.6	261.9	63,500 *	64.4	265.3	60,700													80
85	44.1	247.5	51,800 *	55.2	258.7	59,600	61.1	262.7	56,300													85
90	39.8	241.9	48,600 *	51.6	254.9	55,500	57.8	259.7	52,400													90
95	35.1	235.4	45,700 *	47.9	250.7	51,900	54.4	256.4	49,000													95
100	29.8	227.5	43,000 *	43.9	245.9	48,700	50.8	252.5	46,000	60.8	259.0	41,400										100
105	23.3	217.5	40,500 *	39.6	240.3	45,900	46.9	248.2	43,300	57.4	256.0	39,000										105
110	14.5	202.9	38,200 *	34.9	233.7	43,300	42.9	243.2	40,800	54.0	252.6	36,700										110
115				29.5	225.7	40,900	38.5	237.3	38,600	50.3	248.7	34,700										115
120				23.0	215.6	38,800	33.6	230.5	36,600	46.5	244.2	32,900	56.8	250.7	29,300							120
125				14.0	200.6	36,700	28.0	222.1	34,700	42.4	239.1	31,200	53.3	247.2	27,700							125
130							21.1	211.2	33,000	38.0	233.2	29,700	49.7	243.3	26,300							130
135							10.7	193.6	31,300	33.0	226.2	28,200	45.8	238.7	25,100							135
140										27.3	217.6	26,900	41.6	233.5	23,900	52.3	240.3	20,900				140
145										20.2	206.3	25,600	37.1	227.4	22,800	48.6	236.2	19,900				145
150										8.8	187.0	24,400	32.1	220.1	21,700	44.7	231.5	19,000				150
155													26.2	211.2	20,700	40.4	226.0	18,100				155
160													18.7	199.0	19,800	35.8	219.7	17,300	47.1	227.4	14,900	160
170																24.3	202.4	15,800	38.7	216.7	13,600	170
180																			28.3	201.6	12,400	180
190																			11.3	173.8	11,200	190



Liftcrane Luffing Jib Capacities

888 SERIES 2

Luffing Jib No. 135 On Boom No. 22EL
 179,100 Lb. Crane Counterweight
 44,000 Lb. Carbody Counterweight
 28 Ft. 2 in. Crawlers Extended
 360 Degree Rating

Designed And Tested
 With The Intent To Be In
 The Scope of ANSI B30.5

170 Ft. Boom, 110 Ft. Jib

Jib Oper. Rad. Feet	88 Degree Boom Angle			83 Degree Boom Angle			80 Degree Boom Angle			75 Degree Boom Angle			70 Degree Boom Angle			65 Degree Boom Angle			60 Degree Boom Angle			Jib Oper. Rad. Feet
	Jib Ang. Deg.	Jib Point Elev. Feet	Luffing Jib Capacity Pounds	Jib Ang. Deg.	Jib Point Elev. Feet	Luffing Jib Capacity Pounds	Jib Ang. Deg.	Jib Point Elev. Feet	Luffing Jib Capacity Pounds	Jib Ang. Deg.	Jib Point Elev. Feet	Luffing Jib Capacity Pounds	Jib Ang. Deg.	Jib Point Elev. Feet	Luffing Jib Capacity Pounds	Jib Ang. Deg.	Jib Point Elev. Feet	Luffing Jib Capacity Pounds	Jib Ang. Deg.	Jib Point Elev. Feet	Luffing Jib Capacity Pounds	
45	73.2	283.2	57,300 *b																			45
50	70.4	281.5	56,200 *b																			50
55	67.7	279.6	55,100 *b																			55
60	64.8	277.4	54,100 *																			60
65	61.9	274.9	53,200 *	70.3	280.1	57,200 *b																65
70	58.9	272.1	52,300 *	67.5	278.2	56,500 *																70
75	55.8	268.9	51,000 *	64.7	276.0	55,700 *																75
80	52.6	265.3	49,300 *	61.8	273.4	55,000 *	66.8	276.2	55,900 *													80
85	49.2	261.2	47,600 *	58.8	270.6	53,600 *	64.0	273.9	55,400 *													85
90	45.7	256.6	46,100 *	55.7	267.4	51,900 *	61.0	271.3	52,400													90
95	41.9	251.4	43,500 *	52.4	263.7	50,200 *	58.0	268.4	49,000													95
100	37.9	245.4	41,100 *	49.1	259.6	48,500 *	54.9	265.1	45,900													100
105	33.4	238.5	38,900 *	45.5	255.0	45,900	51.6	261.4	43,200	60.7	267.6	38,900										105
110	28.3	230.1	36,800 *	41.8	249.8	43,300	48.2	257.1	40,800	57.7	264.6	36,700										110
115	22.2	219.5	35,000 *	37.7	243.8	40,900	44.6	252.4	38,600	54.5	261.3	34,700										115
120	13.8	204.2	33,700 *	33.2	236.8	38,800	40.8	247.0	36,600	51.3	257.5	32,900										120
125				28.1	228.3	36,800	36.6	240.7	34,700	47.8	253.2	31,200	57.1	259.4	27,700							125
130				21.9	217.6	35,000	32.0	233.4	33,000	44.2	248.4	29,600	53.9	256.0	26,300							130
135				13.3	201.8	33,300	26.7	224.5	31,400	40.4	242.9	28,200	50.7	252.1	25,000							135
140							20.2	213.0	30,000	36.1	236.6	26,900	47.2	247.8	23,800							140
145							10.2	194.6	28,600	31.5	229.1	25,700	43.5	242.8	22,700							145
150										26.0	220.0	24,500	39.6	237.2	21,700	49.7	245.1	19,000				150
155										19.3	208.0	23,400	35.3	230.7	20,800	46.2	240.6	18,100				155
160										8.4	187.7	22,400	30.5	222.9	19,900	42.5	235.5	17,300				160
170													17.8	200.6	18,200	34.1	222.8	15,800	44.8	231.7	13,500	170
180																23.2	204.5	14,500	36.8	220.1	12,400	180
190																			27.0	204.0	11,300	190
200																			10.8	174.8	10,300	200



Liftcrane Luffing Jib Capacities

888 SERIES 2

Luffing Jib No. 135 On Boom No. 22EL
 179,100 Lb. Crane Counterweight
 44,000 Lb. Carbody Counterweight
 28 Ft. 2 in. Crawlers Extended
 360 Degree Rating

Designed And Tested
 With The Intent To Be In
 The Scope of ANSI B30.5

170 Ft. Boom, 120 Ft. Jib

Jib Oper. Rad. Feet	88 Degree Boom Angle			83 Degree Boom Angle			80 Degree Boom Angle			75 Degree Boom Angle			70 Degree Boom Angle			65 Degree Boom Angle			60 Degree Boom Angle			Jib Oper. Rad. Feet
	Jib Ang. Deg.	Jib Point Elev. Feet	Luffing Jib Capacity Pounds	Jib Ang. Deg.	Jib Point Elev. Feet	Luffing Jib Capacity Pounds	Jib Ang. Deg.	Jib Point Elev. Feet	Luffing Jib Capacity Pounds	Jib Ang. Deg.	Jib Point Elev. Feet	Luffing Jib Capacity Pounds	Jib Ang. Deg.	Jib Point Elev. Feet	Luffing Jib Capacity Pounds	Jib Ang. Deg.	Jib Point Elev. Feet	Luffing Jib Capacity Pounds	Jib Ang. Deg.	Jib Point Elev. Feet	Luffing Jib Capacity Pounds	
45	74.6	293.6	53,800 *b																			45
50	72.1	292.1	52,800 *b																			50
55	69.6	290.4	51,900 *																			55
60	67.0	288.4	51,000 *																			60
65	64.4	286.1	50,200 *																			65
70	61.7	283.6	48,900 *	69.5	288.9	52,700 *																70
75	59.0	280.7	47,300 *	66.9	286.9	52,100 *																75
80	56.2	277.6	45,600 *	64.3	284.7	51,300 *																80
85	53.2	274.0	44,000 *	61.6	282.1	49,600 *	66.3	285.0	51,600 *													85
90	50.2	270.1	42,400 *	58.9	279.2	48,000 *	63.6	282.6	50,800 *													90
95	47.0	265.7	40,900 *	56.0	276.0	46,300 *	61.0	280.0	48,600													95
100	43.7	260.7	39,500 *	53.1	272.5	44,700 *	58.2	277.1	45,600													100
105	40.1	255.1	37,500 *	50.1	268.5	43,100 *	55.3	273.8	42,900													105
110	36.2	248.8	35,500 *	46.9	264.1	41,700 *	52.4	270.1	40,500	60.6	276.3	36,300										110
115	32.0	241.4	33,700 *	43.5	259.1	40,300 *	49.3	266.1	38,200	57.9	273.3	34,300										115
120	27.1	232.6	32,100 *	39.9	253.5	38,500	46.1	261.5	36,200	55.0	270.0	32,500										120
125	21.3	221.4	30,600 *	36.0	247.1	36,600	42.6	256.4	34,400	52.0	266.3	30,800										125
130	13.2	205.3	29,500 *	31.7	239.7	34,800	39.0	250.6	32,700	48.9	262.2	29,300	57.3	268.1	25,900							130
135				26.9	230.8	33,100	35.0	244.0	31,200	45.7	257.6	27,900	54.5	264.7	24,600							135
140				21.0	219.5	31,600	30.6	236.2	29,700	42.2	252.4	26,500	51.5	260.9	23,400							140
145				12.7	203.0	30,100	25.6	226.9	28,400	38.6	246.5	25,300	48.4	256.7	22,300							145
150							19.3	214.7	27,100	34.6	239.8	24,200	45.1	252.0	21,300							150
155							9.8	195.4	25,900	30.1	231.9	23,100	41.6	246.7	20,400	50.6	254.0	17,700				155
160										24.9	222.3	22,100	37.9	240.7	19,500	47.5	249.6	16,900				160
170										8.0	188.4	20,300	29.2	225.6	17,900	40.6	239.3	15,400				170
180													17.0	202.2	16,400	32.6	225.8	14,200	42.8	235.7	12,000	180
190																22.2	206.5	13,000	35.2	223.3	10,900	190
200																			25.8	206.4	10,000	200
210																			10.3	175.7	9,100	210



Liftcrane Luffing Jib Capacities

888 SERIES 2

Luffing Jib No. 135 On Boom No. 22EL
 179,100 Lb. Crane Counterweight
 44,000 Lb. Carbody Counterweight
 28 Ft. 2 in. Crawlers Extended
 360 Degree Rating

Designed And Tested
 With The Intent To Be In
 The Scope of ANSI B30.5

170 Ft. Boom, 130 Ft. Jib

Jib Oper. Rad. Feet	88 Degree Boom Angle			83 Degree Boom Angle			80 Degree Boom Angle			75 Degree Boom Angle			70 Degree Boom Angle			65 Degree Boom Angle			60 Degree Boom Angle			Jib Oper. Rad. Feet
	Jib Ang. Deg.	Jib Point Elev. Feet	Luffing Jib Capacity Pounds	Jib Ang. Deg.	Jib Point Elev. Feet	Luffing Jib Capacity Pounds	Jib Ang. Deg.	Jib Point Elev. Feet	Luffing Jib Capacity Pounds	Jib Ang. Deg.	Jib Point Elev. Feet	Luffing Jib Capacity Pounds	Jib Ang. Deg.	Jib Point Elev. Feet	Luffing Jib Capacity Pounds	Jib Ang. Deg.	Jib Point Elev. Feet	Luffing Jib Capacity Pounds	Jib Ang. Deg.	Jib Point Elev. Feet	Luffing Jib Capacity Pounds	
45	75.8	303.9	50,400 *b																			45
50	73.5	302.6	49,500 *b																			50
55	71.2	301.0	48,700 *																			55
60	68.9	299.2	47,900 *																			60
65	66.5	297.1	46,800 *																			65
70	64.1	294.8	45,200 *																			70
75	61.6	292.2	43,600 *	68.8	297.7	48,600 *																75
80	59.1	289.4	42,100 *	66.4	295.7	47,200 *																80
85	56.5	286.2	40,600 *	64.0	293.3	45,700 *																85
90	53.8	282.8	39,200 *	61.5	290.8	44,200 *	65.8	293.7	46,600 *													90
95	51.0	278.9	37,800 *	59.0	287.9	42,800 *	63.4	291.3	45,200 *													95
100	48.1	274.6	36,500 *	56.3	284.7	41,300 *	60.9	288.7	43,900 *													100
105	45.1	269.9	35,300 *	53.7	281.2	39,900 *	58.3	285.7	42,500 *													105
110	41.9	264.6	34,100 *	50.9	277.4	38,500 *	55.7	282.5	40,200													110
115	38.4	258.7	32,600 *	48.0	273.1	37,200 *	53.0	278.9	38,000	60.6	284.9	34,000										115
120	34.7	252.0	31,000 *	44.9	268.3	35,900 *	50.2	274.9	36,000	58.0	282.0	32,200										120
125	30.7	244.2	29,500 *	41.7	263.0	34,700 *	47.2	270.5	34,200	55.4	278.7	30,500										125
130	26.0	234.9	28,200 *	38.3	257.1	33,600 *	44.2	265.7	32,500	52.7	275.1	29,000										130
135	20.4	223.3	27,000 *	34.6	250.3	32,500 *	40.9	260.2	30,900	49.8	271.1	27,600	57.6	276.8	24,300							135
140	12.7	206.5	26,100 *	30.5	242.4	31,400	37.4	254.1	29,500	46.9	266.6	26,300	54.9	273.4	23,100							140
145				25.8	233.1	30,000	33.6	247.1	28,200	43.8	261.7	25,100	52.2	269.7	22,100							145
150				20.1	221.3	28,700	29.4	238.9	26,900	40.5	256.2	24,000	49.3	265.6	21,100							150
155				12.2	204.1	27,400	24.5	229.1	25,800	37.0	249.9	22,900	46.3	261.1	20,100							155
160							18.5	216.4	24,700	33.2	242.8	21,900	43.2	256.1	19,200	51.4	262.8	16,600				160
170										23.9	224.4	20,100	36.3	244.0	17,600	45.5	253.9	15,200				170
180										7.7	189.1	18,500	28.0	228.2	16,200	38.9	242.9	13,900	47.4	249.8	11,700	180
190													16.4	203.6	14,900	31.3	228.7	12,800	41.0	239.5	10,700	190
200																21.3	208.4	11,700	33.8	226.5	9,700	200
210																			24.8	208.6	8,900	210
220																			9.9	176.6	8,100	220



Liftcrane Luffing Jib Capacities

888 SERIES 2

Luffing Jib No. 135 On Boom No. 22EL
 179,100 Lb. Crane Counterweight
 44,000 Lb. Carbody Counterweight
 28 Ft. 2 in. Crawlers Extended
 360 Degree Rating

Designed And Tested
 With The Intent To Be In
 The Scope of ANSI B30.5

170 Ft. Boom, 140 Ft. Jib

Jib Oper. Rad. Feet	88 Degree Boom Angle			83 Degree Boom Angle			80 Degree Boom Angle			75 Degree Boom Angle			70 Degree Boom Angle			65 Degree Boom Angle			60 Degree Boom Angle			Jib Oper. Rad. Feet
	Jib Ang. Deg.	Jib Point Elev. Feet	Luffing Jib Capacity Pounds	Jib Ang. Deg.	Jib Point Elev. Feet	Luffing Jib Capacity Pounds	Jib Ang. Deg.	Jib Point Elev. Feet	Luffing Jib Capacity Pounds	Jib Ang. Deg.	Jib Point Elev. Feet	Luffing Jib Capacity Pounds	Jib Ang. Deg.	Jib Point Elev. Feet	Luffing Jib Capacity Pounds	Jib Ang. Deg.	Jib Point Elev. Feet	Luffing Jib Capacity Pounds	Jib Ang. Deg.	Jib Point Elev. Feet	Luffing Jib Capacity Pounds	
50	74.8	313.0	46,200 *b																			50
55	72.6	311.5	45,400 *																			55
60	70.5	309.8	44,600 *																			60
65	68.3	307.9	43,100 *																			65
70	66.1	305.8	41,600 *																			70
75	63.8	303.5	40,100 *	70.4	308.4	44,700 *																75
80	61.5	300.9	38,600 *	68.2	306.5	43,300 *																80
85	59.1	298.1	37,200 *	66.0	304.4	41,900 *																85
90	56.7	294.9	35,800 *	63.7	302.0	40,500 *	67.6	304.6	42,500 *													90
95	54.2	291.5	34,500 *	61.4	299.4	39,100 *	65.4	302.4	41,300 *													95
100	51.7	287.7	33,200 *	59.0	296.6	37,700 *	63.1	300.0	40,100 *													100
105	49.0	283.6	32,000 *	56.6	293.4	36,400 *	60.8	297.3	38,700 *													105
110	46.2	279.0	30,700 *	54.1	290.0	35,000 *	58.4	294.4	37,400 *													110
115	43.3	274.0	29,600 *	51.6	286.2	33,800 *	56.0	291.2	36,200 *	62.9	296.3	33,600										115
120	40.3	268.4	28,500 *	48.9	282.0	32,500 *	53.5	287.6	34,900 *	60.6	293.6	31,800										120
125	37.0	262.1	27,500 *	46.1	277.4	31,300 *	50.9	283.8	33,600 *	58.2	290.6	30,100										125
130	33.4	255.0	26,500 *	43.2	272.4	30,100 *	48.2	279.5	32,200	55.7	287.4	28,600										130
135	29.5	246.9	25,600 *	40.1	266.8	29,000 *	45.4	274.8	30,600	53.2	283.8	27,200										135
140	25.1	237.2	24,700 *	36.8	260.5	27,900 *	42.5	269.6	29,200	50.6	279.9	25,900	57.7	285.4	22,700							140
145	19.7	225.0	23,900 *	33.3	253.3	26,900 *	39.3	263.9	27,900	47.9	275.6	24,700	55.3	282.1	21,600							145
150	12.2	207.6	23,200 *	29.3	245.1	26,000 *	36.0	257.4	26,600	45.1	270.9	23,600	52.7	278.5	20,600							150
155				24.8	235.3	25,100 *	32.4	250.0	25,500	42.1	265.6	22,600	50.1	274.5	19,700							155
160				19.4	223.0	24,300 *	28.3	241.5	24,400	39.0	259.8	21,600	47.4	270.1	18,800							160
170							17.8	218.0	22,400	31.9	245.7	19,800	41.6	259.9	17,200	49.4	267.5	14,700				170
180										23.0	226.5	18,200	35.0	247.3	15,800	43.8	258.0	13,500				180
190										7.4	189.8	16,800	27.0	230.6	14,600	37.5	246.4	12,400	45.5	254.1	10,200	190
200													15.8	205.1	13,400	30.1	231.4	11,300	39.5	243.2	9,300	200
210																20.5	210.3	10,400	32.5	229.4	8,500	210
220																			23.8	210.8	7,800	220
230																			9.6	177.4	7,000	230



Liftcrane Luffing Jib Capacities

888 SERIES 2

Luffing Jib No. 135 On Boom No. 22EL
 179,100 Lb. Crane Counterweight
 44,000 Lb. Carbody Counterweight
 28 Ft. 2 in. Crawlers Extended
 360 Degree Rating

Designed And Tested
 With The Intent To Be In
 The Scope of ANSI B30.5

170 Ft. Boom, 150 Ft. Jib

Jib Oper. Rad. Feet	88 Degree Boom Angle			83 Degree Boom Angle			80 Degree Boom Angle			75 Degree Boom Angle			70 Degree Boom Angle			65 Degree Boom Angle			60 Degree Boom Angle			Jib Oper. Rad. Feet
	Jib Ang. Deg.	Jib Point Elev. Feet	Luffing Jib Capacity Pounds	Jib Ang. Deg.	Jib Point Elev. Feet	Luffing Jib Capacity Pounds	Jib Ang. Deg.	Jib Point Elev. Feet	Luffing Jib Capacity Pounds	Jib Ang. Deg.	Jib Point Elev. Feet	Luffing Jib Capacity Pounds	Jib Ang. Deg.	Jib Point Elev. Feet	Luffing Jib Capacity Pounds	Jib Ang. Deg.	Jib Point Elev. Feet	Luffing Jib Capacity Pounds	Jib Ang. Deg.	Jib Point Elev. Feet	Luffing Jib Capacity Pounds	
50	75.8	323.3	43,100 *																			50
55	73.8	321.9	42,400 *																			55
60	71.8	320.4	41,200 *																			60
65	69.8	318.7	39,800 *																			65
70	67.7	316.7	38,400 *																			70
75	65.7	314.6	37,000 *																			75
80	63.5	312.2	35,600 *	69.7	317.2	39,900 *																80
85	61.4	309.6	34,300 *	67.6	315.3	38,600 *																85
90	59.2	306.7	32,900 *	65.6	313.1	37,300 *																90
95	56.9	303.6	31,600 *	63.4	310.7	36,000 *	67.1	313.3	37,900 *													95
100	54.6	300.2	30,400 *	61.3	308.1	34,700 *	65.1	311.1	36,700 *													100
105	52.3	296.5	29,200 *	59.1	305.2	33,400 *	62.9	308.7	35,500 *													105
110	49.8	292.5	28,000 *	56.8	302.1	32,100 *	60.8	306.0	34,300 *													110
115	47.3	288.0	26,900 *	54.5	298.7	30,900 *	58.5	303.1	33,100 *													115
120	44.6	283.2	25,800 *	52.1	295.0	29,600 *	56.3	299.9	31,900 *	62.7	305.0	31,700										120
125	41.8	277.9	24,800 *	49.7	290.9	28,500 *	54.0	296.4	30,700 *	60.5	302.3	30,000										125
130	38.9	272.0	23,800 *	47.1	286.5	27,300 *	51.6	292.6	29,500 *	58.3	299.3	28,500										130
135	35.7	265.4	22,800 *	44.5	281.6	26,200 *	49.1	288.4	28,300 *	56.0	296.1	27,100										135
140	32.3	258.0	21,900 *	41.7	276.3	25,200 *	46.5	283.9	27,200 *	53.7	292.6	25,800										140
145	28.5	249.5	21,100 *	38.7	270.3	24,200 *	43.8	278.9	26,100 *	51.3	288.7	24,600	57.9	294.1	21,500							145
150	24.2	239.4	20,300 *	35.5	263.7	23,200 *	41.0	273.4	25,100 *	48.8	284.5	23,500	55.6	290.8	20,500							150
155	19.0	226.7	19,600 *	32.1	256.3	22,300 *	38.0	267.4	24,100 *	46.2	280.0	22,500	53.3	287.2	19,600							155
160	11.8	208.6	19,000 *	28.3	247.7	21,400 *	34.7	260.6	23,100 *	43.5	274.9	21,500	50.8	283.3	18,700							160
170				18.7	224.7	19,900 *	27.3	243.9	21,400 *	37.6	263.2	19,700	45.7	274.4	17,200	52.6	280.3	14,600				170
180							17.2	219.5	19,900 *	30.8	248.5	18,200	40.1	263.7	15,800	47.6	272.0	13,400				180
190										22.3	228.5	16,800	33.7	250.4	14,500	42.2	262.0	12,300				190
200										7.2	190.4	15,500	26.1	233.0	13,400	36.2	249.7	11,300	43.9	258.2	9,200	200
210													15.2	206.4	12,300	29.1	234.1	10,400	38.1	246.7	8,400	210
220																19.8	212.0	9,500	31.4	232.3	7,700	220
230																			23.0	212.8	7,000	230
240																			9.2	178.3	6,400	240



Liftcrane Luffing Jib Capacities

888 SERIES 2

Luffing Jib No. 135 On Boom No. 22EL
 179,100 Lb. Crane Counterweight
 44,000 Lb. Carbody Counterweight
 28 Ft. 2 in. Crawlers Extended
 360 Degree Rating

Designed And Tested
 With The Intent To Be In
 The Scope of ANSI B30.5

170 Ft. Boom, 160 Ft. Jib

Jib Oper. Rad. Feet	88 Degree Boom Angle			83 Degree Boom Angle			80 Degree Boom Angle			75 Degree Boom Angle			70 Degree Boom Angle			65 Degree Boom Angle			60 Degree Boom Angle			Jib Oper. Rad. Feet
	Jib Ang. Deg.	Jib Point Elev. Feet	Luffing Jib Capacity Pounds	Jib Ang. Deg.	Jib Point Elev. Feet	Luffing Jib Capacity Pounds	Jib Ang. Deg.	Jib Point Elev. Feet	Luffing Jib Capacity Pounds	Jib Ang. Deg.	Jib Point Elev. Feet	Luffing Jib Capacity Pounds	Jib Ang. Deg.	Jib Point Elev. Feet	Luffing Jib Capacity Pounds	Jib Ang. Deg.	Jib Point Elev. Feet	Luffing Jib Capacity Pounds	Jib Ang. Deg.	Jib Point Elev. Feet	Luffing Jib Capacity Pounds	
55	74.8	332.3	39,300 *																			55
60	73.0	330.9	37,900 *																			60
65	71.1	329.3	36,500 *																			65
70	69.2	327.5	35,200 *																			70
75	67.3	325.5	33,800 *																			75
80	65.3	323.3	32,500 *	71.0	327.8	36,500 *																80
85	63.3	320.9	31,200 *	69.1	326.0	35,200 *																85
90	61.3	318.2	29,900 *	67.2	324.0	34,000 *																90
95	59.2	315.4	28,700 *	65.2	321.8	32,700 *																95
100	57.1	312.3	27,400 *	63.2	319.4	31,500 *	66.7	322.1	33,400 *													100
105	55.0	308.9	26,300 *	61.2	316.8	30,200 *	64.7	319.8	32,200 *													105
110	52.8	305.3	25,100 *	59.1	313.9	29,000 *	62.7	317.3	31,100 *													110
115	50.5	301.3	24,000 *	57.0	310.8	27,800 *	60.7	314.6	29,900 *													115
120	48.1	297.0	22,900 *	54.9	307.4	26,600 *	58.6	311.7	28,700 *													120
125	45.7	292.3	21,900 *	52.7	303.7	25,500 *	56.5	308.5	27,600 *	62.5	313.6	29,600										125
130	43.1	287.2	20,900 *	50.4	299.8	24,400 *	54.3	305.1	26,400 *	60.5	310.9	28,100										130
135	40.4	281.6	20,000 *	48.0	295.4	23,300 *	52.1	301.4	25,300 *	58.4	308.0	26,700										135
140	37.6	275.4	19,100 *	45.5	290.7	22,200 *	49.8	297.3	24,200 *	56.3	304.8	25,400										140
145	34.5	268.6	18,200 *	43.0	285.6	21,200 *	47.4	292.9	23,200 *	54.1	301.3	24,200										145
150	31.2	260.8	17,400 *	40.3	280.0	20,300 *	44.9	288.1	22,100 *	51.9	297.5	23,100	58.0	302.8	20,100							150
155	27.6	252.0	16,700 *	37.4	273.8	19,400 *	42.3	282.9	21,100 *	49.5	293.4	22,100	55.9	299.5	19,200							155
160	23.4	241.5	16,000 *	34.4	266.9	18,500 *	39.6	277.1	20,200 *	47.1	289.0	21,200	53.7	296.0	18,300							160
170	11.4	209.6	14,800 *	27.4	250.2	16,900 *	33.6	263.6	18,400 *	42.0	278.8	19,400	49.1	288.0	16,800							170
180				18.1	226.3	15,500 *	26.4	246.3	16,800 *	36.4	266.6	17,800	44.2	278.6	15,400	50.8	285.2	13,000				180
190							16.7	221.0	15,500 *	29.8	251.2	16,500	38.8	267.2	14,100	46.0	276.3	11,900				190
200										21.5	230.4	15,200	32.6	253.3	13,000	40.8	265.7	10,900	47.5	272.2	8,800	200
210										6.9	191.0	14,000	25.2	235.2	12,000	35.0	252.9	10,000	42.5	262.2	8,000	210
220													14.7	207.7	11,000	28.1	236.6	9,200	36.8	250.1	7,300	220
230																19.2	213.8	8,400	30.4	235.0	6,600	230
240																			22.3	214.8	6,000	240
250																			9.0	179.1	5,400	250



Liftcrane Luffing Jib Capacities

888 SERIES 2

Luffing Jib No. 135 On Boom No. 22EL
 179,100 Lb. Crane Counterweight
 44,000 Lb. Carbody Counterweight
 28 Ft. 2 in. Crawlers Extended
 360 Degree Rating

Designed And Tested
 With The Intent To Be In
 The Scope of ANSI B30.5

170 Ft. Boom, 170 Ft. Jib

Jib Oper. Rad. Feet	88 Degree Boom Angle			83 Degree Boom Angle			80 Degree Boom Angle			75 Degree Boom Angle			70 Degree Boom Angle			65 Degree Boom Angle			60 Degree Boom Angle			Jib Oper. Rad. Feet
	Jib Ang. Deg.	Jib Point Elev. Feet	Luffing Jib Capacity Pounds	Jib Ang. Deg.	Jib Point Elev. Feet	Luffing Jib Capacity Pounds	Jib Ang. Deg.	Jib Point Elev. Feet	Luffing Jib Capacity Pounds	Jib Ang. Deg.	Jib Point Elev. Feet	Luffing Jib Capacity Pounds	Jib Ang. Deg.	Jib Point Elev. Feet	Luffing Jib Capacity Pounds	Jib Ang. Deg.	Jib Point Elev. Feet	Luffing Jib Capacity Pounds	Jib Ang. Deg.	Jib Point Elev. Feet	Luffing Jib Capacity Pounds	
55	75.8	342.7	35,600 *																			55
60	74.0	341.3	35,000 *																			60
65	72.3	339.8	33,700 *																			65
70	70.5	338.1	32,400 *																			70
75	68.7	336.2	31,200 *																			75
80	66.9	334.2	29,900 *																			80
85	65.0	332.0	28,700 *	70.4	336.7	32,400 *																85
90	63.1	329.5	27,400 *	68.6	334.8	31,200 *																90
95	61.2	326.9	26,300 *	66.8	332.7	30,000 *																95
100	59.3	324.0	25,100 *	64.9	330.5	28,800 *																100
105	57.3	321.0	23,900 *	63.0	328.1	27,700 *	66.3	330.8	29,500 *													105
110	55.3	317.6	22,800 *	61.1	325.4	26,500 *	64.5	328.5	28,400 *													110
115	53.2	314.0	21,800 *	59.2	322.5	25,400 *	62.6	326.0	27,300 *													115
120	51.1	310.1	20,700 *	57.2	319.5	24,200 *	60.7	323.3	26,200 *													120
125	48.9	305.9	19,800 *	55.2	316.1	23,100 *	58.7	320.4	25,100 *													125
130	46.6	301.4	18,800 *	53.1	312.5	22,100 *	56.7	317.2	24,000 *	62.4	322.3	26,700 *										130
135	44.2	296.5	17,900 *	51.0	308.6	21,000 *	54.7	313.8	22,900 *	60.5	319.6	25,700 *										135
140	41.8	291.1	17,000 *	48.8	304.4	20,000 *	52.6	310.1	21,900 *	58.5	316.6	24,700 *										140
145	39.2	285.2	16,200 *	46.5	299.8	19,100 *	50.4	306.2	20,900 *	56.5	313.5	23,800 *										145
150	36.4	278.8	15,400 *	44.1	294.9	18,100 *	48.2	301.9	19,900 *	54.5	310.0	22,800 *										150
155	33.5	271.6	14,600 *	41.6	289.5	17,200 *	45.9	297.2	18,900 *	52.4	306.3	21,800 *										155
160	30.3	263.6	13,900 *	39.0	283.6	16,400 *	43.5	292.2	18,000 *	50.2	302.3	20,800 *	56.1	308.2	18,000							160
170	22.7	243.5	12,400 *	33.3	269.9	14,800 *	38.4	280.6	16,300 *	45.7	293.3	18,900 *	52.0	300.9	16,500							170
180	11.1	210.6	10,900 *	26.6	252.6	13,400 *	32.6	266.6	14,700 *	40.7	282.6	17,200 *	47.5	292.5	15,100							180
190				17.6	227.9	11,700 *	25.6	248.6	13,200 *	35.3	269.8	15,500 *	42.8	282.5	13,900	49.2	289.9	11,600				190
200							16.2	222.5	11,500 *	28.9	253.9	14,000 *	37.6	270.7	12,800	44.6	280.5	10,600				200
210										20.9	232.3	12,300 *	31.6	256.2	11,800	39.5	269.4	9,700	46.0	276.5	7,700	210
220										6.7	191.6	10,800 *	24.5	237.4	10,800	33.9	256.0	8,900	41.1	266.0	7,000	220
230													14.3	209.0	10,000	27.3	239.1	8,200	35.7	253.4	6,400	230
240																18.6	215.4	7,500	29.4	237.7	5,800	240
250																			21.6	216.8	5,200	250
260																			8.7	179.8	4,600	260



Liftcrane Luffing Jib Capacities

888 SERIES 2

Luffing Jib No. 135 On Boom No. 22EL
 179,100 Lb. Crane Counterweight
 44,000 Lb. Carbody Counterweight
 28 Ft. 2 in. Crawlers Extended
 360 Degree Rating

Designed And Tested
 With The Intent To Be In
 The Scope of ANSI B30.5

180 Ft. Boom, 70 Ft. Jib

Jib Oper. Rad. Feet	88 Degree Boom Angle			83 Degree Boom Angle			80 Degree Boom Angle			75 Degree Boom Angle			70 Degree Boom Angle			65 Degree Boom Angle			60 Degree Boom Angle			Jib Oper. Rad. Feet
	Jib Ang. Deg.	Jib Point Elev. Feet	Luffing Jib Capacity Pounds	Jib Ang. Deg.	Jib Point Elev. Feet	Luffing Jib Capacity Pounds	Jib Ang. Deg.	Jib Point Elev. Feet	Luffing Jib Capacity Pounds	Jib Ang. Deg.	Jib Point Elev. Feet	Luffing Jib Capacity Pounds	Jib Ang. Deg.	Jib Point Elev. Feet	Luffing Jib Capacity Pounds	Jib Ang. Deg.	Jib Point Elev. Feet	Luffing Jib Capacity Pounds	Jib Ang. Deg.	Jib Point Elev. Feet	Luffing Jib Capacity Pounds	
50	58.6	247.6	87,600 *b																			50
55	53.7	244.3	85,100 *b																			55
60	48.4	240.2	79,500 *b																			60
65	42.7	235.3	74,100 *	59.2	246.6	83,500 b																65
70	36.2	229.2	68,500 *	54.3	243.3	76,200 b																70
75	28.6	221.4	63,100 *	49.1	239.4	69,900 b	58.5	244.7	66,000 b													75
80	18.3	209.8	56,300 *	43.4	234.6	64,600	53.6	241.3	60,900 b													80
85				37.1	228.7	59,900	48.3	237.2	56,500 b													85
90				29.7	221.1	55,800	42.6	232.3	52,700	58.8	241.2	47,400 b										90
95				19.9	210.3	52,100	36.1	226.2	49,200	53.9	237.9	44,300 b										95
100							28.5	218.3	46,200	48.7	233.9	41,600 b										100
105							18.1	206.7	43,400	42.9	229.0	39,100										105
110										36.5	223.0	36,900	53.8	232.9	32,800 b							110
115										29.0	215.3	34,800	48.6	228.9	31,000							115
120										18.9	204.0	32,900	42.8	224.0	29,300							120
125													36.4	218.0	27,800							125
130													28.8	210.2	26,400	47.9	222.2	23,100				130
135													18.7	198.8	25,100	42.2	217.2	22,000				135
140																35.6	211.0	20,900				140
145																27.9	203.0	19,900	46.7	213.7	17,200	145
150																17.1	190.9	19,000	40.7	208.5	16,300	150
155																			34.0	201.9	15,600	155
160																			25.7	193.2	14,800	160



Liftcrane Luffing Jib Capacities

888 SERIES 2

Luffing Jib No. 135 On Boom No. 22EL
 179,100 Lb. Crane Counterweight
 44,000 Lb. Carbody Counterweight
 28 Ft. 2 in. Crawlers Extended
 360 Degree Rating

Designed And Tested
 With The Intent To Be In
 The Scope of ANSI B30.5

180 Ft. Boom, 80 Ft. Jib

Jib Oper. Rad. Feet	88 Degree Boom Angle			83 Degree Boom Angle			80 Degree Boom Angle			75 Degree Boom Angle			70 Degree Boom Angle			65 Degree Boom Angle			60 Degree Boom Angle			Jib Oper. Rad. Feet
	Jib Ang. Deg.	Jib Point Elev. Feet	Luffing Jib Capacity Pounds	Jib Ang. Deg.	Jib Point Elev. Feet	Luffing Jib Capacity Pounds	Jib Ang. Deg.	Jib Point Elev. Feet	Luffing Jib Capacity Pounds	Jib Ang. Deg.	Jib Point Elev. Feet	Luffing Jib Capacity Pounds	Jib Ang. Deg.	Jib Point Elev. Feet	Luffing Jib Capacity Pounds	Jib Ang. Deg.	Jib Point Elev. Feet	Luffing Jib Capacity Pounds	Jib Ang. Deg.	Jib Point Elev. Feet	Luffing Jib Capacity Pounds	
50	62.9	259.1	81,000 *b																			50
55	58.8	256.3	79,100 *b																			55
60	54.5	253.0	75,100 *																			60
65	50.0	249.1	70,400 *	63.4	258.0	83,200 b																65
70	45.1	244.5	65,900 *	59.3	255.2	75,800 b																70
75	39.8	239.1	61,700 *	55.0	252.0	69,600 b	62.8	256.1	65,600 b													75
80	33.8	232.4	57,700 *	50.6	248.2	64,300	58.7	253.3	60,500 b													80
85	26.7	223.8	54,000 *	45.7	243.8	59,600	54.4	250.0	56,200													85
90	17.1	211.4	49,300 *	40.5	238.4	55,600	49.9	246.1	52,300													90
95				34.6	231.9	52,000	45.0	241.6	48,900	59.0	249.9	43,900 b										95
100				27.7	223.6	48,700	39.7	236.1	45,900	54.7	246.6	41,200										100
105				18.6	211.9	45,800	33.7	229.4	43,200	50.2	242.8	38,700										105
110							26.6	220.8	40,700	45.3	238.2	36,500										110
115							16.9	208.3	38,500	40.0	232.8	34,500	54.6	241.7	30,500							115
120										34.1	226.2	32,700	50.1	237.8	28,900							120
125										27.1	217.8	31,000	45.2	233.3	27,400							125
130										17.6	205.6	29,400	40.0	227.8	26,000							130
135													34.0	221.2	24,800	49.6	231.1	21,600				135
140													26.9	212.7	23,600	44.7	226.5	20,500				140
145													17.4	200.4	22,400	39.3	220.9	19,500				145
150																33.3	214.1	18,600				150
155																26.0	205.4	17,800	43.5	217.9	15,100	155
160																16.0	192.3	16,900	38.0	212.1	14,400	160
170																			24.1	195.4	13,100	170



Liftcrane Luffing Jib Capacities

888 SERIES 2

Luffing Jib No. 135 On Boom No. 22EL
 179,100 Lb. Crane Counterweight
 44,000 Lb. Carbody Counterweight
 28 Ft. 2 in. Crawlers Extended
 360 Degree Rating

Designed And Tested
 With The Intent To Be In
 The Scope of ANSI B30.5

180 Ft. Boom, 90 Ft. Jib

Jib Oper. Rad. Feet	88 Degree Boom Angle			83 Degree Boom Angle			80 Degree Boom Angle			75 Degree Boom Angle			70 Degree Boom Angle			65 Degree Boom Angle			60 Degree Boom Angle			Jib Oper. Rad. Feet
	Jib Ang. Deg.	Jib Point Elev. Feet	Luffing Jib Capacity Pounds	Jib Ang. Deg.	Jib Point Elev. Feet	Luffing Jib Capacity Pounds	Jib Ang. Deg.	Jib Point Elev. Feet	Luffing Jib Capacity Pounds	Jib Ang. Deg.	Jib Point Elev. Feet	Luffing Jib Capacity Pounds	Jib Ang. Deg.	Jib Point Elev. Feet	Luffing Jib Capacity Pounds	Jib Ang. Deg.	Jib Point Elev. Feet	Luffing Jib Capacity Pounds	Jib Ang. Deg.	Jib Point Elev. Feet	Luffing Jib Capacity Pounds	
50	66.1	270.2	74,100 *b																			50
55	62.6	267.8	71,500 *b																			55
60	58.9	265.0	69,000 *																			60
65	55.1	261.7	66,600 *	66.5	269.0	75,800 *b																65
70	51.1	258.0	62,800 *	63.0	266.7	73,400 *b																70
75	46.9	253.6	59,000 *	59.4	263.9	69,400	66.1	267.2	65,300 b													75
80	42.4	248.6	55,400 *	55.6	260.7	64,100	62.5	264.8	60,300 b													80
85	37.4	242.6	52,000 *	51.7	257.0	59,500	58.9	262.0	55,900													85
90	31.8	235.3	48,900 *	47.5	252.8	55,400	55.1	258.7	52,100													90
95	25.1	226.1	46,000 *	43.0	247.8	51,800	51.1	255.0	48,700	62.7	261.3	43,600 b										95
100	16.1	212.8	43,800 *	38.1	242.0	48,600	46.9	250.6	45,700	59.1	258.6	40,900										100
105				32.6	234.9	45,800	42.3	245.6	43,000	55.3	255.3	38,500										105
110				26.1	226.0	43,200	37.4	239.6	40,600	51.3	251.6	36,300										110
115				17.5	213.5	40,800	31.8	232.3	38,400	47.1	247.3	34,300										115
120							25.1	223.1	36,300	42.6	242.3	32,500	55.2	250.4	28,600							120
125							16.0	209.7	34,500	37.7	236.4	30,800	51.3	246.6	27,200							125
130										32.1	229.2	29,300	47.1	242.3	25,800							130
135										25.5	220.1	27,900	42.5	237.3	24,500							135
140										16.6	207.1	26,500	37.6	231.3	23,400	50.8	240.0	20,200				140
145													32.0	224.1	22,300	46.6	235.6	19,300				145
150													25.4	215.0	21,300	42.0	230.5	18,400				150
155													16.4	201.9	20,300	37.0	224.4	17,500				155
160																31.3	217.0	16,800	45.5	227.1	14,200	160
170																15.1	193.7	15,300	35.7	215.4	12,900	170
180																22.7	197.5	11,800	22.7	197.5	11,800	180



Liftcrane Luffing Jib Capacities

888 SERIES 2

Luffing Jib No. 135 On Boom No. 22EL
 179,100 Lb. Crane Counterweight
 44,000 Lb. Carbody Counterweight
 28 Ft. 2 in. Crawlers Extended
 360 Degree Rating

Designed And Tested
 With The Intent To Be In
 The Scope of ANSI B30.5

180 Ft. Boom, 100 Ft. Jib

Jib Oper. Rad. Feet	88 Degree Boom Angle			83 Degree Boom Angle			80 Degree Boom Angle			75 Degree Boom Angle			70 Degree Boom Angle			65 Degree Boom Angle			60 Degree Boom Angle			Jib Oper. Rad. Feet
	Jib Ang. Deg.	Jib Point Elev. Feet	Luffing Jib Capacity Pounds	Jib Ang. Deg.	Jib Point Elev. Feet	Luffing Jib Capacity Pounds	Jib Ang. Deg.	Jib Point Elev. Feet	Luffing Jib Capacity Pounds	Jib Ang. Deg.	Jib Point Elev. Feet	Luffing Jib Capacity Pounds	Jib Ang. Deg.	Jib Point Elev. Feet	Luffing Jib Capacity Pounds	Jib Ang. Deg.	Jib Point Elev. Feet	Luffing Jib Capacity Pounds	Jib Ang. Deg.	Jib Point Elev. Feet	Luffing Jib Capacity Pounds	
45	71.7	282.8	68,800 *b																			45
50	68.6	281.0	68,500 *b																			50
55	65.5	278.9	66,600 *b																			55
60	62.3	276.4	64,100 *																			60
65	59.0	273.6	61,800 *	69.0	279.8	69,600 *b																65
70	55.6	270.4	59,500 *	65.9	277.7	68,100 *b																70
75	52.1	266.8	56,200 *	62.7	275.3	65,800 *																75
80	48.3	262.6	53,000 *	59.4	272.6	63,500 *	65.5	275.9	59,900 b													80
85	44.4	257.8	49,900 *	56.1	269.4	59,100	62.3	273.5	55,500													85
90	40.1	252.3	47,000 *	52.5	265.8	55,100	59.0	270.6	51,700													90
95	35.4	245.9	44,300 *	48.8	261.7	51,500	55.6	267.4	48,400													95
100	30.2	238.1	41,800 *	44.9	257.0	48,300	52.0	263.8	45,400	62.5	270.0	40,500										100
105	23.8	228.3	39,500 *	40.7	251.6	45,500	48.3	259.6	42,700	59.2	267.2	38,100										105
110	15.3	214.2	37,800 *	36.1	245.3	42,900	44.3	254.8	40,300	55.8	264.0	35,900										110
115				30.9	237.8	40,600	40.1	249.3	38,100	52.2	260.4	33,900										115
120				24.7	228.3	38,400	35.4	242.9	36,100	48.5	256.3	32,100										120
125				16.6	215.0	36,500	30.1	235.1	34,200	44.6	251.5	30,400	55.7	259.1	26,700							125
130							23.8	225.2	32,500	40.3	246.1	28,900	52.2	255.4	25,400							130
135							15.1	211.1	30,900	35.7	239.7	27,500	48.5	251.3	24,100							135
140										30.4	232.0	26,200	44.5	246.5	23,000							140
145										24.2	222.3	25,000	40.3	241.1	21,900	51.8	248.8	18,800				145
150										15.8	208.5	23,900	35.6	234.6	20,900	48.0	244.6	17,900				150
155													30.3	226.9	20,000	44.0	239.8	17,100				155
160													24.0	217.2	19,100	39.7	234.2	16,300				160
170																29.7	219.8	14,900	43.1	231.1	12,500	170
180																14.3	195.0	13,600	33.8	218.5	11,400	180
190																21.5	199.5	10,300	21.5	199.5	10,300	190



Liftcrane Luffing Jib Capacities

888 SERIES 2

Luffing Jib No. 135 On Boom No. 22EL
 179,100 Lb. Crane Counterweight
 44,000 Lb. Carbody Counterweight
 28 Ft. 2 in. Crawlers Extended
 360 Degree Rating

Designed And Tested
 With The Intent To Be In
 The Scope of ANSI B30.5

180 Ft. Boom, 110 Ft. Jib

Jib Oper. Rad. Feet	88 Degree Boom Angle			83 Degree Boom Angle			80 Degree Boom Angle			75 Degree Boom Angle			70 Degree Boom Angle			65 Degree Boom Angle			60 Degree Boom Angle			Jib Oper. Rad. Feet
	Jib Ang. Deg.	Jib Point Elev. Feet	Luffing Jib Capacity Pounds	Jib Ang. Deg.	Jib Point Elev. Feet	Luffing Jib Capacity Pounds	Jib Ang. Deg.	Jib Point Elev. Feet	Luffing Jib Capacity Pounds	Jib Ang. Deg.	Jib Point Elev. Feet	Luffing Jib Capacity Pounds	Jib Ang. Deg.	Jib Point Elev. Feet	Luffing Jib Capacity Pounds	Jib Ang. Deg.	Jib Point Elev. Feet	Luffing Jib Capacity Pounds	Jib Ang. Deg.	Jib Point Elev. Feet	Luffing Jib Capacity Pounds	
45	73.4	293.3	56,300 *b																			45
50	70.6	291.7	55,200 *b																			50
55	67.9	289.8	54,200 *b																			55
60	65.0	287.6	53,200 *																			60
65	62.1	285.1	52,300 *	71.0	290.5	56,200 *b																65
70	59.1	282.3	51,500 *	68.2	288.6	55,500 *b																70
75	56.0	279.1	50,600 *	65.4	286.5	54,900 *																75
80	52.8	275.5	49,200 *	62.5	284.0	54,200 *	67.8	286.8	54,900 *b													80
85	49.5	271.5	47,000 *	59.5	281.2	53,500 *	65.0	284.6	54,500 *													85
90	46.0	267.0	44,500 *	56.4	278.1	52,100 *	62.1	282.1	51,700													90
95	42.2	261.8	42,100 *	53.2	274.6	50,400 *	59.1	279.3	48,300													95
100	38.2	255.9	39,900 *	49.9	270.6	48,300	56.0	276.1	45,300													100
105	33.7	249.0	37,800 *	46.4	266.1	45,500	52.8	272.5	42,600	62.2	278.7	38,000										105
110	28.7	240.7	35,900 *	42.7	261.1	42,900	49.4	268.5	40,200	59.3	275.9	35,800										110
115	22.7	230.4	34,200 *	38.7	255.3	40,600	45.9	264.0	38,100	56.2	272.7	33,900										115
120	14.6	215.5	33,000 *	34.3	248.5	38,500	42.2	258.8	36,100	53.0	269.2	32,100										120
125				29.4	240.5	36,500	38.1	252.9	34,200	49.6	265.2	30,400										125
130				23.6	230.4	34,700	33.7	246.0	32,600	46.1	260.6	28,900	56.1	267.8	25,300							130
135				15.8	216.5	33,100	28.7	237.7	31,000	42.4	255.5	27,500	52.9	264.2	24,100							135
140							22.6	227.3	29,600	38.4	249.6	26,200	49.6	260.2	22,900							140
145							14.4	212.4	28,200	34.0	242.8	25,000	46.1	255.7	21,900							145
150										29.0	234.6	23,900	42.3	250.5	20,900	52.5	257.6	17,900				150
155										23.0	224.4	22,900	38.3	244.6	20,000	49.2	253.5	17,100				155
160										15.0	209.9	21,900	33.9	237.8	19,100	45.7	248.9	16,300				160
170													22.9	219.3	17,500	37.8	237.7	14,900				170
180																28.3	222.3	13,700	41.0	235.0	11,400	180
190																13.7	196.2	12,500	32.2	221.5	10,400	190
200																			20.5	201.3	9,500	200



Liftcrane Luffing Jib Capacities

888 SERIES 2

Luffing Jib No. 135 On Boom No. 22EL
 179,100 Lb. Crane Counterweight
 44,000 Lb. Carbody Counterweight
 28 Ft. 2 in. Crawlers Extended
 360 Degree Rating

Designed And Tested
 With The Intent To Be In
 The Scope of ANSI B30.5

180 Ft. Boom, 120 Ft. Jib

Jib Oper. Rad. Feet	88 Degree Boom Angle			83 Degree Boom Angle			80 Degree Boom Angle			75 Degree Boom Angle			70 Degree Boom Angle			65 Degree Boom Angle			60 Degree Boom Angle			Jib Oper. Rad. Feet
	Jib Ang. Deg.	Jib Point Elev. Feet	Luffing Jib Capacity Pounds	Jib Ang. Deg.	Jib Point Elev. Feet	Luffing Jib Capacity Pounds	Jib Ang. Deg.	Jib Point Elev. Feet	Luffing Jib Capacity Pounds	Jib Ang. Deg.	Jib Point Elev. Feet	Luffing Jib Capacity Pounds	Jib Ang. Deg.	Jib Point Elev. Feet	Luffing Jib Capacity Pounds	Jib Ang. Deg.	Jib Point Elev. Feet	Luffing Jib Capacity Pounds	Jib Ang. Deg.	Jib Point Elev. Feet	Luffing Jib Capacity Pounds	
45	74.8	303.7	52,800 *b																			45
50	72.3	302.2	51,900 *b																			50
55	69.8	300.5	51,000 *																			55
60	67.2	298.5	50,200 *																			60
65	64.6	296.3	49,400 *																			65
70	61.9	293.8	48,600 *	70.1	299.3	51,900 *																70
75	59.2	290.9	47,100 *	67.5	297.4	51,300 *																75
80	56.4	287.8	45,500 *	64.9	295.2	50,700 *																80
85	53.4	284.3	43,900 *	62.3	292.7	49,700 *	67.2	295.6	50,700 *													85
90	50.4	280.4	42,400 *	59.5	289.9	48,200 *	64.6	293.3	50,300 *													90
95	47.2	276.0	40,300 *	56.7	286.8	46,600 *	61.9	290.8	47,900													95
100	43.9	271.1	38,300 *	53.8	283.3	45,000 *	59.2	288.0	45,000													100
105	40.3	265.6	36,400 *	50.8	279.5	43,400 *	56.3	284.8	42,300													105
110	36.5	259.3	34,600 *	47.7	275.1	42,000 *	53.4	281.3	39,900	62.1	287.4	35,400										110
115	32.3	251.9	32,900 *	44.3	270.3	40,300	50.4	277.4	37,700	59.3	284.6	33,400										115
120	27.5	243.2	31,300 *	40.8	264.9	38,200	47.2	273.0	35,700	56.5	281.4	31,700										120
125	21.7	232.3	29,900 *	37.0	258.7	36,300	43.9	268.1	33,900	53.6	277.9	30,000										125
130	13.9	216.8	28,900 *	32.8	251.5	34,500	40.3	262.5	32,200	50.6	274.0	28,500										130
135				28.1	243.0	32,800	36.4	256.2	30,700	47.4	269.7	27,100	56.4	276.5	23,700							135
140				22.5	232.5	31,300	32.2	248.9	29,300	44.1	264.8	25,900	53.5	272.9	22,500							140
145				15.1	217.8	29,900	27.4	240.2	28,000	40.5	259.3	24,700	50.5	269.0	21,500							145
150							21.7	229.2	26,700	36.7	253.0	23,600	47.3	264.7	20,500							150
155							13.8	213.6	25,500	32.5	245.8	22,500	44.0	259.8	19,600							155
160										27.7	237.1	21,600	40.4	254.3	18,700	50.2	262.4	15,900				160
170										14.4	211.2	19,800	32.4	240.7	17,100	43.6	253.0	14,500				170
180													21.9	221.2	15,700	36.2	241.1	13,300	46.2	249.4	10,900	180
190																27.0	224.8	12,200	39.2	238.6	10,000	190
200																13.1	197.4	11,100	30.8	224.3	9,100	200
210																19.6	203.1	8,300	19.6	203.1	8,300	210



Liftcrane Luffing Jib Capacities

888 SERIES 2

Luffing Jib No. 135 On Boom No. 22EL
 179,100 Lb. Crane Counterweight
 44,000 Lb. Carbody Counterweight
 28 Ft. 2 in. Crawlers Extended
 360 Degree Rating

Designed And Tested
 With The Intent To Be In
 The Scope of ANSI B30.5

180 Ft. Boom, 130 Ft. Jib

Jib Oper. Rad. Feet	88 Degree Boom Angle			83 Degree Boom Angle			80 Degree Boom Angle			75 Degree Boom Angle			70 Degree Boom Angle			65 Degree Boom Angle			60 Degree Boom Angle			Jib Oper. Rad. Feet
	Jib Ang. Deg.	Jib Point Elev. Feet	Luffing Jib Capacity Pounds	Jib Ang. Deg.	Jib Point Elev. Feet	Luffing Jib Capacity Pounds	Jib Ang. Deg.	Jib Point Elev. Feet	Luffing Jib Capacity Pounds	Jib Ang. Deg.	Jib Point Elev. Feet	Luffing Jib Capacity Pounds	Jib Ang. Deg.	Jib Point Elev. Feet	Luffing Jib Capacity Pounds	Jib Ang. Deg.	Jib Point Elev. Feet	Luffing Jib Capacity Pounds	Jib Ang. Deg.	Jib Point Elev. Feet	Luffing Jib Capacity Pounds	
45	76.0	314.0	49,500 *b																			45
50	73.7	312.7	48,700 *b																			50
55	71.4	311.1	47,900 *																			55
60	69.1	309.3	47,100 *																			60
65	66.7	307.3	46,400 *																			65
70	64.3	305.0	44,900 *																			70
75	61.8	302.4	43,400 *	69.4	308.1	47,800 *																75
80	59.2	299.6	42,000 *	67.0	306.1	47,100 *																80
85	56.6	296.5	40,600 *	64.6	303.9	45,700 *																85
90	54.0	293.0	39,200 *	62.1	301.3	44,300 *	66.6	304.3	46,500 *													90
95	51.2	289.2	37,800 *	59.6	298.6	42,900 *	64.2	302.0	45,300 *													95
100	48.3	285.0	36,500 *	57.0	295.5	41,500 *	61.8	299.5	44,000 *													100
105	45.3	280.3	34,900 *	54.3	292.0	40,100 *	59.2	296.6	42,000													105
110	42.1	275.0	33,300 *	51.6	288.3	38,800 *	56.6	293.5	39,600													110
115	38.7	269.1	31,700 *	48.7	284.1	37,500 *	53.9	290.0	37,500	61.9	296.0	33,200										115
120	35.0	262.5	30,200 *	45.7	279.5	36,200 *	51.2	286.2	35,500	59.4	293.2	31,400										120
125	31.0	254.8	28,800 *	42.5	274.3	35,000 *	48.3	282.0	33,700	56.8	290.1	29,800										125
130	26.4	245.6	27,600 *	39.1	268.5	33,900 *	45.2	277.3	32,000	54.1	286.7	28,300										130
135	20.9	234.2	26,400 *	35.5	262.0	32,700	42.1	272.0	30,500	51.3	282.8	26,900										135
140	13.4	218.0	25,600 *	31.5	254.4	31,200	38.6	266.1	29,100	48.4	278.6	25,600	56.7	285.1	22,200							140
145				27.0	245.5	29,700	35.0	259.5	27,800	45.4	274.0	24,400	54.0	281.7	21,200							145
150				21.6	234.4	28,400	30.9	251.7	26,500	42.2	268.7	23,300	51.3	277.9	20,200							150
155				14.6	219.1	27,200	26.3	242.6	25,400	38.9	262.9	22,300	48.4	273.6	19,300							155
160							20.8	231.1	24,300	35.2	256.3	21,400	45.4	269.0	18,400							160
170										26.6	239.6	19,600	38.8	257.9	16,900	48.1	267.0	14,200				170
180										13.8	212.4	18,000	31.1	243.6	15,500	41.8	256.9	13,000				180
190													21.1	223.1	14,300	34.7	244.2	11,900	44.3	253.6	9,700	190
200																26.0	227.1	10,900	37.6	242.1	8,800	200
210																12.6	198.5	10,000	29.6	227.0	8,000	210
220																			18.8	204.8	7,300	220



Liftcrane Luffing Jib Capacities

888 SERIES 2

Luffing Jib No. 135 On Boom No. 22EL
 179,100 Lb. Crane Counterweight
 44,000 Lb. Carbody Counterweight
 28 Ft. 2 in. Crawlers Extended
 360 Degree Rating

Designed And Tested
 With The Intent To Be In
 The Scope of ANSI B30.5

180 Ft. Boom, 140 Ft. Jib

Jib Oper. Rad. Feet	88 Degree Boom Angle			83 Degree Boom Angle			80 Degree Boom Angle			75 Degree Boom Angle			70 Degree Boom Angle			65 Degree Boom Angle			60 Degree Boom Angle			Jib Oper. Rad. Feet
	Jib Ang. Deg.	Jib Point Elev. Feet	Luffing Jib Capacity Pounds	Jib Ang. Deg.	Jib Point Elev. Feet	Luffing Jib Capacity Pounds	Jib Ang. Deg.	Jib Point Elev. Feet	Luffing Jib Capacity Pounds	Jib Ang. Deg.	Jib Point Elev. Feet	Luffing Jib Capacity Pounds	Jib Ang. Deg.	Jib Point Elev. Feet	Luffing Jib Capacity Pounds	Jib Ang. Deg.	Jib Point Elev. Feet	Luffing Jib Capacity Pounds	Jib Ang. Deg.	Jib Point Elev. Feet	Luffing Jib Capacity Pounds	
50	74.9	323.0	45,400 *b																			50
55	72.8	321.6	44,700 *																			55
60	70.6	319.9	44,000 *																			60
65	68.4	318.1	42,800 *																			65
70	66.2	316.0	41,300 *																			70
75	64.0	313.7	39,900 *	70.9	318.7	44,300 *																75
80	61.7	311.1	38,500 *	68.7	316.9	43,200 *																80
85	59.3	308.3	37,100 *	66.5	314.8	41,900 *																85
90	56.9	305.2	35,800 *	64.2	312.5	40,600 *																90
95	54.4	301.7	34,500 *	62.0	310.0	39,200 *	66.2	313.0	41,400 *													95
100	51.9	298.0	33,200 *	59.6	307.2	37,900 *	63.9	310.7	40,200 *													100
105	49.2	293.9	32,000 *	57.2	304.1	36,600 *	61.6	308.1	39,000 *													105
110	46.4	289.3	30,800 *	54.7	300.8	35,300 *	59.3	305.3	37,800 *													110
115	43.5	284.3	29,700 *	52.2	297.1	34,000 *	56.9	302.2	36,500 *													115
120	40.5	278.8	28,600 *	49.5	293.0	32,800 *	54.4	298.8	35,100	61.8	304.7	31,000										120
125	37.2	272.6	27,500 *	46.8	288.5	31,600 *	51.8	295.0	33,300	59.4	301.9	29,300										125
130	33.7	265.6	26,600 *	43.9	283.6	30,400 *	49.2	290.9	31,700	57.0	298.8	27,900										130
135	29.8	257.5	25,500 *	40.9	278.1	29,300 *	46.4	286.3	30,100	54.5	295.4	26,500										135
140	25.4	247.9	24,400 *	37.7	272.0	28,200 *	43.5	281.3	28,700	52.0	291.6	25,200										140
145	20.1	236.0	23,500 *	34.2	265.1	27,200 *	40.5	275.8	27,400	49.3	287.5	24,100	57.0	293.8	20,700							145
150	12.9	219.1	22,800 *	30.3	257.2	26,300 *	37.2	269.6	26,200	46.6	283.0	23,000	54.5	290.4	19,800							150
155				26.0	247.8	25,400 *	33.7	262.5	25,100	43.7	278.1	21,900	51.9	286.7	18,900							155
160				20.9	236.3	24,600 *	29.8	254.4	24,000	40.6	272.5	21,000	49.3	282.6	18,000							160
170							20.0	232.9	22,100	33.9	259.4	19,300	43.6	273.1	16,500	51.6	280.0	13,800				170
180										25.6	241.9	17,700	37.3	261.3	15,100	46.2	271.3	12,600				180
190										13.3	213.6	16,300	29.9	246.3	13,900	40.2	260.7	11,500				190
200													20.3	225.0	12,800	33.4	247.3	10,600	42.6	257.6	8,400	200
210																25.0	229.4	9,700	36.1	245.4	7,600	210
220																12.1	199.6	8,800	28.5	229.6	6,900	220
230																			18.1	206.4	6,300	230



Liftcrane Luffing Jib Capacities

888 SERIES 2

Luffing Jib No. 135 On Boom No. 22EL
 179,100 Lb. Crane Counterweight
 44,000 Lb. Carbody Counterweight
 28 Ft. 2 in. Crawlers Extended
 360 Degree Rating

Designed And Tested
 With The Intent To Be In
 The Scope of ANSI B30.5

180 Ft. Boom, 150 Ft. Jib

Jib Oper. Rad. Feet	88 Degree Boom Angle			83 Degree Boom Angle			80 Degree Boom Angle			75 Degree Boom Angle			70 Degree Boom Angle			65 Degree Boom Angle			60 Degree Boom Angle			Jib Oper. Rad. Feet
	Jib Ang. Deg.	Jib Point Elev. Feet	Luffing Jib Capacity Pounds	Jib Ang. Deg.	Jib Point Elev. Feet	Luffing Jib Capacity Pounds	Jib Ang. Deg.	Jib Point Elev. Feet	Luffing Jib Capacity Pounds	Jib Ang. Deg.	Jib Point Elev. Feet	Luffing Jib Capacity Pounds	Jib Ang. Deg.	Jib Point Elev. Feet	Luffing Jib Capacity Pounds	Jib Ang. Deg.	Jib Point Elev. Feet	Luffing Jib Capacity Pounds	Jib Ang. Deg.	Jib Point Elev. Feet	Luffing Jib Capacity Pounds	
50	75.9	333.4	42,400 *b																			50
55	74.0	332.0	41,800 *																			55
60	72.0	330.5	40,900 *																			60
65	69.9	328.8	39,600 *																			65
70	67.9	326.8	38,200 *																			70
75	65.8	324.7	36,800 *																			75
80	63.7	322.3	35,500 *	70.2	327.6	39,800 *																80
85	61.5	319.8	34,200 *	68.1	325.7	38,600 *																85
90	59.3	316.9	32,900 *	66.1	323.6	37,400 *																90
95	57.1	313.8	31,600 *	64.0	321.2	36,100 *	67.9	323.9	38,000 *													95
100	54.8	310.4	30,400 *	61.8	318.7	34,800 *	65.8	321.7	36,900 *													100
105	52.4	306.8	29,200 *	59.6	315.9	33,600 *	63.7	319.4	35,700 *													105
110	50.0	302.7	28,100 *	57.4	312.8	32,300 *	61.5	316.8	34,600 *													110
115	47.4	298.4	27,000 *	55.1	309.5	31,100 *	59.3	314.0	33,400 *													115
120	44.8	293.5	25,900 *	52.7	305.8	29,900 *	57.1	310.9	32,200 *													120
125	42.0	288.3	24,900 *	50.3	301.9	28,700 *	54.8	307.5	31,000 *	61.6	313.4	29,200										125
130	39.1	282.4	23,900 *	47.8	297.5	27,600 *	52.4	303.8	29,900 *	59.5	310.5	27,700										130
135	35.9	275.9	22,900 *	45.1	292.8	26,500 *	49.9	299.8	28,700 *	57.2	307.4	26,400										135
140	32.5	268.5	22,000 *	42.4	287.5	25,500 *	47.4	295.4	27,600 *	54.9	304.1	25,100										140
145	28.8	260.1	21,200 *	39.4	281.8	24,500 *	44.8	290.5	26,500 *	52.5	300.4	24,000										145
150	24.5	250.1	20,400 *	36.3	275.3	23,500 *	42.0	285.3	25,500 *	50.1	296.4	22,900	57.2	302.5	19,700							150
155	19.4	237.7	19,700 *	33.0	268.1	22,500 *	39.0	279.4	24,500 *	47.6	292.0	21,900	54.9	299.1	18,800							155
160	12.5	220.2	19,100 *	29.3	259.8	21,700 *	35.9	272.9	23,500 *	44.9	287.2	20,900	52.5	295.4	17,900							160
170				20.1	238.1	20,100 *	28.7	257.1	21,800 *	39.2	276.2	19,200	47.5	287.1	16,400							170
180							19.3	234.6	20,200 *	32.7	262.4	17,700	42.1	277.0	15,000	49.8	284.8	12,500				180
190										24.7	244.1	16,300	36.0	264.7	13,800	44.6	275.5	11,400				190
200										12.9	214.7	15,000	28.9	248.9	12,700	38.8	264.3	10,500	46.6	271.8	8,300	200
210													19.6	226.7	11,700	32.2	250.2	9,600	41.1	261.4	7,500	210
220																24.1	231.6	8,800	34.9	248.6	6,900	220
230																11.7	200.6	8,000	27.5	232.1	6,200	230
240																			17.5	208.0	5,600	240



Liftcrane Luffing Jib Capacities

888 SERIES 2

Luffing Jib No. 135 On Boom No. 22EL
 179,100 Lb. Crane Counterweight
 44,000 Lb. Carbody Counterweight
 28 Ft. 2 in. Crawlers Extended
 360 Degree Rating

Designed And Tested
 With The Intent To Be In
 The Scope of ANSI B30.5

180 Ft. Boom, 160 Ft. Jib

Jib Oper. Rad. Feet	88 Degree Boom Angle			83 Degree Boom Angle			80 Degree Boom Angle			75 Degree Boom Angle			70 Degree Boom Angle			65 Degree Boom Angle			60 Degree Boom Angle			Jib Oper. Rad. Feet	
	Jib Ang. Deg.	Jib Point Elev. Feet	Luffing Jib Capacity Pounds	Jib Ang. Deg.	Jib Point Elev. Feet	Luffing Jib Capacity Pounds	Jib Ang. Deg.	Jib Point Elev. Feet	Luffing Jib Capacity Pounds	Jib Ang. Deg.	Jib Point Elev. Feet	Luffing Jib Capacity Pounds	Jib Ang. Deg.	Jib Point Elev. Feet	Luffing Jib Capacity Pounds	Jib Ang. Deg.	Jib Point Elev. Feet	Luffing Jib Capacity Pounds	Jib Ang. Deg.	Jib Point Elev. Feet	Luffing Jib Capacity Pounds		
55	75.0	342.4	38,800 *																			55	
60	73.1	341.0	37,700 *																			60	
65	71.2	339.4	36,300 *																			65	
70	69.3	337.6	35,000 *																			70	
75	67.4	335.6	33,700 *																			75	
80	65.5	333.4	32,400 *																			80	
85	63.5	331.0	31,100 *	69.6	336.4	35,200 *																85	
90	61.4	328.4	29,900 *	67.7	334.4	34,000 *																90	
95	59.4	325.6	28,700 *	65.7	332.3	32,800 *																95	
100	57.3	322.5	27,500 *	63.7	329.9	31,600 *	67.4	332.6	33,500 *													100	
105	55.1	319.2	26,300 *	61.7	327.3	30,400 *	65.4	330.5	32,400 *													105	
110	52.9	315.5	25,200 *	59.7	324.5	29,200 *	63.4	328.1	31,300 *													110	
115	50.6	311.6	24,100 *	57.6	321.5	28,100 *	61.4	325.5	30,200 *													115	
120	48.3	307.3	23,000 *	55.4	318.2	26,900 *	59.4	322.6	29,100 *													120	
125	45.8	302.7	22,000 *	53.2	314.6	25,800 *	57.3	319.5	27,900 *													125	
130	43.3	297.6	21,000 *	50.9	310.7	24,600 *	55.1	316.2	26,800 *	61.5	322.0	27,300										130	
135	40.6	292.0	20,100 *	48.6	306.5	23,600 *	52.9	312.5	25,700 *	59.5	319.2	26,000										135	
140	37.8	285.9	19,200 *	46.2	301.9	22,500 *	50.6	308.6	24,600 *	57.4	316.1	24,700										140	
145	34.7	279.1	18,300 *	43.6	296.8	21,500 *	48.3	304.3	23,500 *	55.2	312.8	23,600										145	
150	31.5	271.4	17,500 *	41.0	291.3	20,600 *	45.8	299.7	22,500 *	53.0	309.2	22,500										150	
155	27.8	262.6	16,800 *	38.1	285.3	19,700 *	43.3	294.6	21,500 *	50.7	305.3	21,500	57.3	311.2	18,400							155	
160	23.7	252.3	16,100 *	35.1	278.6	18,800 *	40.6	289.0	20,600 *	48.4	301.0	20,500	55.2	307.8	17,500							160	
170	12.1	221.3	14,800 *	28.3	262.4	17,200 *	34.7	276.1	18,800 *	43.4	291.3	18,800	50.7	300.3	16,000							170	
180				19.5	239.8	15,700 *	27.8	259.6	17,200 *	37.9	279.7	17,300	45.9	291.4	14,700	52.7	297.6	12,100				180	
190							18.7	236.3	15,700 *	31.6	265.3	16,000	40.7	280.8	13,500	48.1	289.3	11,000				190	
200										23.9	246.3	14,700	34.8	267.8	12,400	43.1	279.5	10,100				200	
210										12.4	215.8	13,600		28.0	251.5	11,400	37.5	267.7	9,200	45.0	276.1	7,100	210
220														19.0	228.4	10,500	31.2	253.1	8,400	39.7	265.1	6,400	220
230																	23.4	233.7	7,700	33.7	251.7	5,800	230
240																	11.3	201.6	7,000	26.6	234.5	5,200	240
250																				16.9	209.5	4,700	250



Liftcrane Luffing Jib Capacities

888 SERIES 2

Luffing Jib No. 135 On Boom No. 22EL
 179,100 Lb. Crane Counterweight
 44,000 Lb. Carbody Counterweight
 28 Ft. 2 in. Crawlers Extended
 360 Degree Rating

Designed And Tested
 With The Intent To Be In
 The Scope of ANSI B30.5

180 Ft. Boom, 170 Ft. Jib

Jib Oper. Rad. Feet	88 Degree Boom Angle			83 Degree Boom Angle			80 Degree Boom Angle			75 Degree Boom Angle			70 Degree Boom Angle			65 Degree Boom Angle			60 Degree Boom Angle			Jib Oper. Rad. Feet
	Jib Ang. Deg.	Jib Point Elev. Feet	Luffing Jib Capacity Pounds	Jib Ang. Deg.	Jib Point Elev. Feet	Luffing Jib Capacity Pounds	Jib Ang. Deg.	Jib Point Elev. Feet	Luffing Jib Capacity Pounds	Jib Ang. Deg.	Jib Point Elev. Feet	Luffing Jib Capacity Pounds	Jib Ang. Deg.	Jib Point Elev. Feet	Luffing Jib Capacity Pounds	Jib Ang. Deg.	Jib Point Elev. Feet	Luffing Jib Capacity Pounds	Jib Ang. Deg.	Jib Point Elev. Feet	Luffing Jib Capacity Pounds	
55	75.9	352.7	34,900 *																			55
60	74.1	351.4	34,500 *																			60
65	72.4	349.9	33,500 *																			65
70	70.6	348.2	32,300 *																			70
75	68.8	346.4	31,100 *																			75
80	67.0	344.3	29,800 *																			80
85	65.1	342.1	28,600 *	70.8	347.0	31,900 *																85
90	63.3	339.7	27,400 *	69.0	345.2	31,300 *																90
95	61.4	337.1	26,300 *	67.2	343.2	30,200 *																95
100	59.4	334.2	25,100 *	65.4	341.0	29,000 *																100
105	57.4	331.2	24,000 *	63.5	338.6	27,800 *	67.0	341.4	29,700 *													105
110	55.4	327.9	22,900 *	61.6	336.0	26,700 *	65.1	339.2	28,700 *													110
115	53.4	324.3	21,800 *	59.7	333.2	25,600 *	63.2	336.7	27,600 *													115
120	51.2	320.4	20,800 *	57.7	330.2	24,500 *	61.3	334.1	26,500 *													120
125	49.0	316.2	19,800 *	55.7	326.9	23,400 *	59.4	331.3	25,400 *													125
130	46.8	311.7	18,900 *	53.6	323.3	22,300 *	57.4	328.2	24,400 *													130
135	44.4	306.8	18,000 *	51.5	319.5	21,300 *	55.4	324.9	23,300 *	61.5	330.7	25,700										135
140	41.9	301.5	17,100 *	49.3	315.4	20,300 *	53.3	321.3	22,300 *	59.5	327.9	24,500										140
145	39.3	295.7	16,300 *	47.1	310.9	19,300 *	51.2	317.4	21,300 *	57.5	324.8	23,300										145
150	36.6	289.3	15,500 *	44.7	306.0	18,400 *	49.0	313.2	20,300 *	55.5	321.5	22,200										150
155	33.7	282.1	14,700 *	42.3	300.8	17,500 *	46.7	308.7	19,300 *	53.4	317.9	21,200										155
160	30.5	274.2	14,000 *	39.7	295.0	16,700 *	44.4	303.8	18,400 *	51.3	314.1	20,300	57.5	319.8	17,200							160
170	23.0	254.3	12,500 *	34.1	281.7	15,100 *	39.3	292.6	16,700 *	46.9	305.4	18,600	53.4	313.0	15,700							170
180	11.7	222.3	11,000 *	27.5	264.9	13,600 *	33.6	279.1	15,100 *	42.0	295.2	17,100	49.1	304.9	14,400							180
190				18.9	241.5	11,900 *	27.0	262.0	13,600 *	36.7	283.0	15,700	44.5	295.5	13,200	51.0	302.4	10,700				190
200							18.2	237.9	11,900 *	30.7	268.0	14,500	39.4	284.4	12,100	46.6	293.7	9,800				200
210										23.2	248.4	12,900 *	33.8	270.9	11,100	41.7	283.4	8,900				210
220										12.1	216.9	11,200 *	27.1	253.9	10,300	36.4	271.1	8,200	43.6	280.1	6,100	220
230													18.4	230.1	9,400	30.2	255.8	7,500	38.5	268.6	5,500	230
240																22.6	235.7	6,800	32.7	254.7	5,000	240
250																11.0	202.6	6,200	25.8	236.8	4,400	250



Liftcrane Luffing Jib Capacities

888 SERIES 2

Luffing Jib No. 135 On Boom No. 22EL
 179,100 Lb. Crane Counterweight
 44,000 Lb. Carbody Counterweight
 28 Ft. 2 in. Crawlers Extended
 360 Degree Rating

Designed And Tested
 With The Intent To Be In
 The Scope of ANSI B30.5

190 Ft. Boom, 70 Ft. Jib

Jib Oper. Rad. Feet	88 Degree Boom Angle			83 Degree Boom Angle			80 Degree Boom Angle			75 Degree Boom Angle			70 Degree Boom Angle			65 Degree Boom Angle			60 Degree Boom Angle			Jib Oper. Rad. Feet
	Jib Ang. Deg.	Jib Point Elev. Feet	Luffing Jib Capacity Pounds	Jib Ang. Deg.	Jib Point Elev. Feet	Luffing Jib Capacity Pounds	Jib Ang. Deg.	Jib Point Elev. Feet	Luffing Jib Capacity Pounds	Jib Ang. Deg.	Jib Point Elev. Feet	Luffing Jib Capacity Pounds	Jib Ang. Deg.	Jib Point Elev. Feet	Luffing Jib Capacity Pounds	Jib Ang. Deg.	Jib Point Elev. Feet	Luffing Jib Capacity Pounds	Jib Ang. Deg.	Jib Point Elev. Feet	Luffing Jib Capacity Pounds	
50	58.9	257.8	84,500 *b																			50
55	54.0	254.5	80,200 *b																			55
60	48.8	250.5	75,100 *b																			60
65	43.1	245.7	70,300 *	60.4	257.2	83,200 b																65
70	36.7	239.7	65,800 *	55.5	254.1	75,800 b																70
75	29.2	232.0	62,000 *	50.4	250.3	69,600 b	60.2	255.5	65,400 b													75
80	19.2	220.9	57,500 *	44.9	245.8	64,300	55.4	252.4	60,400 b													80
85				38.7	240.2	59,600	50.2	248.6	56,100 b													85
90				31.6	233.1	55,600	44.7	244.0	52,200	61.3	252.4	46,700 b										90
95				22.6	223.3	51,900	38.5	238.4	48,800	56.5	249.4	43,600 b										95
100				6.0	203.7	48,600	31.3	231.2	45,800	51.4	245.7	40,900 b										100
105							22.2	221.3	43,100	46.0	241.3	38,500										105
110							4.4	200.2	40,500	40.0	236.0	36,300	57.2	244.7	32,000 b							110
115										33.1	229.2	34,300	52.2	241.2	30,200 b							115
120										24.6	220.1	32,500	46.8	236.9	28,600							120
125										11.3	204.7	30,700	40.9	231.7	27,100							125
130													34.2	225.2	25,700	52.4	234.8	22,300 b				130
135													26.0	216.6	24,500	47.1	230.6	21,200				135
140													14.1	202.9	23,200	41.2	225.4	20,100				140
145																34.5	219.0	19,200				145
150																26.5	210.5	18,300	46.7	222.4	15,400	150
155																14.8	197.3	17,400	40.7	217.2	14,700	155
160																			34.0	210.6	14,000	160
170																			13.6	187.9	12,700	170



Liftcrane Luffing Jib Capacities

888 SERIES 2

Luffing Jib No. 135 On Boom No. 22EL
 179,100 Lb. Crane Counterweight
 44,000 Lb. Carbody Counterweight
 28 Ft. 2 in. Crawlers Extended
 360 Degree Rating

Designed And Tested
 With The Intent To Be In
 The Scope of ANSI B30.5

190 Ft. Boom, 80 Ft. Jib

Jib Oper. Rad. Feet	88 Degree Boom Angle			83 Degree Boom Angle			80 Degree Boom Angle			75 Degree Boom Angle			70 Degree Boom Angle			65 Degree Boom Angle			60 Degree Boom Angle			Jib Oper. Rad. Feet
	Jib Ang. Deg.	Jib Point Elev. Feet	Luffing Jib Capacity Pounds	Jib Ang. Deg.	Jib Point Elev. Feet	Luffing Jib Capacity Pounds	Jib Ang. Deg.	Jib Point Elev. Feet	Luffing Jib Capacity Pounds	Jib Ang. Deg.	Jib Point Elev. Feet	Luffing Jib Capacity Pounds	Jib Ang. Deg.	Jib Point Elev. Feet	Luffing Jib Capacity Pounds	Jib Ang. Deg.	Jib Point Elev. Feet	Luffing Jib Capacity Pounds	Jib Ang. Deg.	Jib Point Elev. Feet	Luffing Jib Capacity Pounds	
50	63.2	269.3	78,200 *b																			50
55	59.1	266.5	75,400 *b																			55
60	54.8	263.2	71,000 *b																			60
65	50.3	259.4	66,700 *	64.4	268.5	80,600 *b																65
70	45.5	254.9	62,700 *	60.3	265.9	75,500 b																70
75	40.2	249.5	58,800 *	56.1	262.8	69,300 b	64.2	266.8	65,000 b													75
80	34.3	242.9	55,200 *	51.7	259.1	64,000	60.2	264.2	60,000 b													80
85	27.3	234.5	52,200 *	46.9	254.8	59,400	56.0	261.1	55,700 b													85
90	17.9	222.5	49,500 *	41.8	249.7	55,300	51.5	257.4	51,900													90
95				36.1	243.6	51,700	46.8	253.1	48,500	61.1	261.1	43,200 b										95
100				29.5	235.8	48,500	41.6	247.9	45,500	56.9	258.1	40,500 b										100
105				21.1	225.2	45,600	35.9	241.7	42,800	52.5	254.5	38,100										105
110				5.6	204.3	42,900	29.3	233.9	40,400	47.9	250.4	35,900										110
115							20.8	223.2	38,100	42.8	245.4	34,000	57.6	253.4	29,700 b							115
120							4.1	200.6	36,000	37.3	239.5	32,100	53.2	249.9	28,200							120
125										30.9	232.1	30,500	48.6	245.9	26,700							125
130										23.0	222.2	28,900	43.6	241.0	25,400							130
135										10.5	205.6	27,500	38.2	235.3	24,100							135
140													31.9	228.1	22,900	48.8	239.5	19,700				140
145													24.3	218.8	21,900	43.9	234.8	18,800				145
150													13.2	204.0	20,800			17,900				150
155																38.4	229.0	17,000				155
160																32.2	222.0	17,000				160
170																24.7	212.8	16,300	43.5	226.5	13,600	160
170																			31.7	213.5	12,400	170
180																			12.7	189.0	11,200	180



Liftcrane Luffing Jib Capacities

888 SERIES 2

Luffing Jib No. 135 On Boom No. 22EL
 179,100 Lb. Crane Counterweight
 44,000 Lb. Carbody Counterweight
 28 Ft. 2 in. Crawlers Extended
 360 Degree Rating

Designed And Tested
 With The Intent To Be In
 The Scope of ANSI B30.5

190 Ft. Boom, 90 Ft. Jib

Jib Oper. Rad. Feet	88 Degree Boom Angle			83 Degree Boom Angle			80 Degree Boom Angle			75 Degree Boom Angle			70 Degree Boom Angle			65 Degree Boom Angle			60 Degree Boom Angle			Jib Oper. Rad. Feet
	Jib Ang. Deg.	Jib Point Elev. Feet	Luffing Jib Capacity Pounds	Jib Ang. Deg.	Jib Point Elev. Feet	Luffing Jib Capacity Pounds	Jib Ang. Deg.	Jib Point Elev. Feet	Luffing Jib Capacity Pounds	Jib Ang. Deg.	Jib Point Elev. Feet	Luffing Jib Capacity Pounds	Jib Ang. Deg.	Jib Point Elev. Feet	Luffing Jib Capacity Pounds	Jib Ang. Deg.	Jib Point Elev. Feet	Luffing Jib Capacity Pounds	Jib Ang. Deg.	Jib Point Elev. Feet	Luffing Jib Capacity Pounds	
50	66.3	280.3	72,000 *b																			50
55	62.8	277.9	70,600 *b																			55
60	59.2	275.2	67,000 *																			60
65	55.4	271.9	63,300 *	67.4	279.5	73,400 *b																65
70	51.4	268.2	59,700 *	63.9	277.2	73,100 *b																70
75	47.2	263.9	56,200 *	60.3	274.5	69,100 b	67.3	277.8	64,800 b													75
80	42.7	258.9	52,900 *	56.5	271.5	63,800	63.8	275.5	59,800 b													80
85	37.8	253.0	49,800 *	52.6	267.9	59,200	60.2	272.9	55,400 b													85
90	32.2	245.9	46,900 *	48.5	263.8	55,100	56.4	269.8	51,700													90
95	25.7	236.9	44,500 *	44.1	259.0	51,600	52.5	266.2	48,300													95
100	16.9	224.0	42,300 *	39.3	253.4	48,400	48.4	262.1	45,300	61.0	269.7	40,200 b										100
105				34.0	246.7	45,500	44.0	257.3	42,600	57.3	266.7	37,800										105
110				27.8	238.4	43,000	39.2	251.6	40,200	53.4	263.3	35,700										110
115				19.9	227.1	40,600	33.8	244.9	38,000	49.3	259.3	33,700										115
120				5.3	204.7	38,400	27.6	236.4	36,000	45.0	254.6	31,900	57.8	262.0	27,900							120
125							19.6	225.0	34,200	40.3	249.2	30,300	54.0	258.7	26,400							125
130							3.9	200.9	32,400	35.1	242.7	28,800	50.0	254.7	25,100							130
135										29.1	234.8	27,400	45.7	250.2	23,900							135
140										21.6	224.2	26,100	41.0	244.9	22,700							140
145										9.9	206.5	24,800	35.9	238.6	21,700	50.2	248.4	18,500				145
150													30.1	230.9	20,700	45.9	243.9	17,600				150
155													22.9	220.9	19,700	41.3	238.7	16,800				155
160													12.4	205.2	18,800	36.2	232.4	16,100				160
170																23.3	214.9	14,600				170
180																			40.9	230.4	12,100	180
190																			29.9	216.3	11,000	190
																			11.9	190.1	10,000	190



Liftcrane Luffing Jib Capacities

888 SERIES 2

Luffing Jib No. 135 On Boom No. 22EL
 179,100 Lb. Crane Counterweight
 44,000 Lb. Carbody Counterweight
 28 Ft. 2 in. Crawlers Extended
 360 Degree Rating

Designed And Tested
 With The Intent To Be In
 The Scope of ANSI B30.5

190 Ft. Boom, 100 Ft. Jib

Jib Oper. Rad. Feet	88 Degree Boom Angle			83 Degree Boom Angle			80 Degree Boom Angle			75 Degree Boom Angle			70 Degree Boom Angle			65 Degree Boom Angle			60 Degree Boom Angle			Jib Oper. Rad. Feet
	Jib Ang. Deg.	Jib Point Elev. Feet	Luffing Jib Capacity Pounds	Jib Ang. Deg.	Jib Point Elev. Feet	Luffing Jib Capacity Pounds	Jib Ang. Deg.	Jib Point Elev. Feet	Luffing Jib Capacity Pounds	Jib Ang. Deg.	Jib Point Elev. Feet	Luffing Jib Capacity Pounds	Jib Ang. Deg.	Jib Point Elev. Feet	Luffing Jib Capacity Pounds	Jib Ang. Deg.	Jib Point Elev. Feet	Luffing Jib Capacity Pounds	Jib Ang. Deg.	Jib Point Elev. Feet	Luffing Jib Capacity Pounds	
50	68.8	291.1	66,600 *b																			50
55	65.7	289.0	65,700 *b																			55
60	62.5	286.6	62,700 *																			60
65	59.3	283.8	59,600 *	69.8	290.2	67,400 *b																65
70	55.9	280.6	56,600 *	66.7	288.2	67,400 *b																70
75	52.3	277.0	53,500 *	63.5	285.9	65,700 *																75
80	48.6	272.9	50,500 *	60.3	283.2	63,400	66.6	286.5	59,400 b													80
85	44.7	268.2	47,700 *	56.9	280.1	58,800	63.4	284.2	55,000													85
90	40.4	262.7	45,100 *	53.4	276.7	54,800	60.1	281.5	51,300													90
95	35.8	256.4	42,600 *	49.8	272.7	51,300	56.8	278.4	47,900													95
100	30.5	248.7	40,200 *	45.9	268.2	48,100	53.3	274.9	45,000													100
105	24.3	239.1	38,100 *	41.7	263.0	45,300	49.6	271.0	42,300	60.9	278.4	37,400										105
110	16.0	225.5	36,500 *	37.2	256.9	42,700	45.7	266.4	39,900	57.6	275.4	35,200										110
115				32.2	249.7	40,400	41.6	261.2	37,700	54.1	272.0	33,300										115
120				26.3	240.8	38,200	37.1	255.1	35,700	50.5	268.1	31,500										120
125				18.9	228.8	36,300	32.0	247.8	33,900	46.6	263.7	29,900										125
130				5.1	205.2	34,400	26.1	238.8	32,200	42.6	258.7	28,400	54.6	267.4	24,600							130
135							18.6	226.6	30,700	38.1	252.8	27,000	51.0	263.6	23,400							135
140							3.7	201.3	29,100	33.2	245.8	25,800	47.2	259.3	22,300							140
145										27.6	237.3	24,600	43.2	254.3	21,300							145
150										20.5	226.1	23,400	38.8	248.5	20,300	51.2	257.2	17,200				150
155										9.4	207.4	22,300	34.0	241.8	19,400	47.4	252.9	16,400				155
160													28.5	233.5	18,500	43.4	248.0	15,600				160
170													11.8	206.2	16,900	34.2	235.6	14,300	47.1	244.8	11,600	170
180																22.1	216.9	13,000	38.7	234.0	10,600	180
190																			28.3	218.9	9,600	190
200																			11.3	191.1	8,700	200



Liftcrane Luffing Jib Capacities

888 SERIES 2

Luffing Jib No. 135 On Boom No. 22EL
 179,100 Lb. Crane Counterweight
 44,000 Lb. Carbody Counterweight
 28 Ft. 2 in. Crawlers Extended
 360 Degree Rating

Designed And Tested
 With The Intent To Be In
 The Scope of ANSI B30.5

190 Ft. Boom, 110 Ft. Jib

Jib Oper. Rad. Feet	88 Degree Boom Angle			83 Degree Boom Angle			80 Degree Boom Angle			75 Degree Boom Angle			70 Degree Boom Angle			65 Degree Boom Angle			60 Degree Boom Angle			Jib Oper. Rad. Feet
	Jib Ang. Deg.	Jib Point Elev. Feet	Luffing Jib Capacity Pounds	Jib Ang. Deg.	Jib Point Elev. Feet	Luffing Jib Capacity Pounds	Jib Ang. Deg.	Jib Point Elev. Feet	Luffing Jib Capacity Pounds	Jib Ang. Deg.	Jib Point Elev. Feet	Luffing Jib Capacity Pounds	Jib Ang. Deg.	Jib Point Elev. Feet	Luffing Jib Capacity Pounds	Jib Ang. Deg.	Jib Point Elev. Feet	Luffing Jib Capacity Pounds	Jib Ang. Deg.	Jib Point Elev. Feet	Luffing Jib Capacity Pounds	
50	70.8	301.8	54,100 *b																			50
55	68.0	299.9	53,200 *b																			55
60	65.2	297.7	52,300 *																			60
65	62.3	295.3	51,400 *																			65
70	59.3	292.5	50,600 *	68.9	299.0	54,500 *b																70
75	56.2	289.3	49,700 *	66.1	296.9	53,900 *																75
80	53.1	285.8	47,300 *	63.2	294.6	53,300 *																80
85	49.7	281.8	45,000 *	60.2	291.9	52,600 *	66.0	295.3	53,500 *													85
90	46.2	277.3	42,700 *	57.2	288.8	52,000 *	63.1	292.9	51,200													90
95	42.5	272.2	40,500 *	54.0	285.4	50,600 *	60.1	290.2	47,900													95
100	38.5	266.3	38,400 *	50.7	281.6	48,100	57.1	287.1	44,900													100
105	34.1	259.5	36,500 *	47.3	277.2	45,200	53.9	283.7	42,300													105
110	29.1	251.4	34,700 *	43.6	272.3	42,700	50.6	279.8	39,900	60.8	287.0	35,200										110
115	23.2	241.2	33,100 *	39.7	266.7	40,400	47.2	275.5	37,700	57.8	284.1	33,300										115
120	15.3	226.8	31,900 *	35.4	260.2	38,300	43.5	270.5	35,700	54.6	280.7	31,500										120
125				30.7	252.5	36,300	39.6	264.9	33,900	51.4	277.0	29,900										125
130				25.1	243.0	34,600	35.3	258.3	32,300	48.0	272.7	28,400										130
135				18.0	230.4	32,900	30.5	250.6	30,700	44.4	267.9	27,000	55.1	276.1	23,400							135
140				4.8	205.6	31,300	24.9	241.1	29,300	40.5	262.4	25,800	51.9	272.4	22,300							140
145							17.7	228.2	27,900	36.3	256.1	24,600	48.5	268.2	21,200							145
150							3.5	201.6	26,600	31.6	248.7	23,500	44.9	263.5	20,300							150
155										26.3	239.7	22,500	41.1	258.1	19,400	52.0	266.0	16,300				155
160										19.6	227.8	21,500	37.0	252.0	18,500	48.7	261.9	15,600				160
170													27.1	236.0	17,000	41.3	251.9	14,300				170
180													11.2	207.2	15,500	32.6	238.6	13,000	44.8	249.0	10,600	180
190																21.0	218.8	11,900	36.8	237.4	9,700	190
200																			27.0	221.3	8,800	200
210																			10.8	192.1	8,000	210



Liftcrane Luffing Jib Capacities

888 SERIES 2

Luffing Jib No. 135 On Boom No. 22EL
 179,100 Lb. Crane Counterweight
 44,000 Lb. Carbody Counterweight
 28 Ft. 2 in. Crawlers Extended
 360 Degree Rating

Designed And Tested
 With The Intent To Be In
 The Scope of ANSI B30.5

190 Ft. Boom, 120 Ft. Jib

Jib Oper. Rad. Feet	88 Degree Boom Angle			83 Degree Boom Angle			80 Degree Boom Angle			75 Degree Boom Angle			70 Degree Boom Angle			65 Degree Boom Angle			60 Degree Boom Angle			Jib Oper. Rad. Feet
	Jib Ang. Deg.	Jib Point Elev. Feet	Luffing Jib Capacity Pounds	Jib Ang. Deg.	Jib Point Elev. Feet	Luffing Jib Capacity Pounds	Jib Ang. Deg.	Jib Point Elev. Feet	Luffing Jib Capacity Pounds	Jib Ang. Deg.	Jib Point Elev. Feet	Luffing Jib Capacity Pounds	Jib Ang. Deg.	Jib Point Elev. Feet	Luffing Jib Capacity Pounds	Jib Ang. Deg.	Jib Point Elev. Feet	Luffing Jib Capacity Pounds	Jib Ang. Deg.	Jib Point Elev. Feet	Luffing Jib Capacity Pounds	
50	72.5	312.3	50,900 *b																			50
55	70.0	310.6	50,100 *b																			55
60	67.4	308.7	49,300 *																			60
65	64.8	306.4	48,500 *																			65
70	62.1	303.9	47,800 *	70.7	309.7	50,900 *b																70
75	59.4	301.1	46,700 *	68.2	307.8	50,400 *																75
80	56.6	298.0	44,700 *	65.6	305.6	49,800 *																80
85	53.7	294.5	42,700 *	62.9	303.2	49,300 *																85
90	50.6	290.6	40,700 *	60.2	300.5	48,200 *	65.5	304.0	49,400 *													90
95	47.5	286.3	38,700 *	57.4	297.5	46,700 *	62.8	301.6	47,500													95
100	44.1	281.4	36,800 *	54.5	294.1	45,200 *	60.1	298.8	44,500													100
105	40.6	276.0	35,000 *	51.6	290.4	43,700 *	57.3	295.8	41,900													105
110	36.8	269.7	33,300 *	48.4	286.2	42,200 *	54.4	292.4	39,500													110
115	32.6	262.5	31,800 *	45.2	281.5	40,100	51.4	288.6	37,300	60.7	295.7	32,800										115
120	27.8	253.9	30,300 *	41.7	276.2	38,000	48.3	284.4	35,400	58.0	292.7	31,100										120
125	22.2	243.2	29,000 *	38.0	270.2	36,100	45.0	279.7	33,600	55.1	289.4	29,500										125
130	14.6	228.1	28,000 *	33.9	263.3	34,300	41.6	274.4	31,900	52.1	285.8	28,000										130
135				29.3	255.2	32,700	37.8	268.4	30,400	49.0	281.6	26,600										135
140				24.0	245.2	31,200	33.7	261.4	29,000	45.8	277.1	25,400	55.5	284.8	21,800							140
145				17.2	231.9	29,700	29.2	253.3	27,700	42.4	271.9	24,200	52.6	281.2	20,800							145
150				4.6	206.0	28,400	23.8	243.2	26,400	38.7	266.0	23,100	49.5	277.1	19,900							150
155							16.9	229.8	25,300	34.7	259.3	22,100	46.3	272.6	19,000							155
160							3.4	201.9	24,100	30.3	251.5	21,200	42.9	267.5	18,100	52.7	274.8	15,100				160
170										18.7	229.5	19,400	35.3	255.2	16,600	46.5	266.3	13,800				170
180													25.9	238.4	15,200	39.4	255.6	12,600				180
190													10.7	208.2	13,900	31.2	241.4	11,600	42.8	253.0	9,200	190
200																20.1	220.6	10,600	35.2	240.7	8,400	200
210																			25.8	223.7	7,600	210
220																			10.3	193.0	6,900	220



Liftcrane Luffing Jib Capacities

888 SERIES 2

Luffing Jib No. 135 On Boom No. 22EL
 179,100 Lb. Crane Counterweight
 44,000 Lb. Carbody Counterweight
 28 Ft. 2 in. Crawlers Extended
 360 Degree Rating

Designed And Tested
 With The Intent To Be In
 The Scope of ANSI B30.5

190 Ft. Boom, 130 Ft. Jib

Jib Oper. Rad. Feet	88 Degree Boom Angle			83 Degree Boom Angle			80 Degree Boom Angle			75 Degree Boom Angle			70 Degree Boom Angle			65 Degree Boom Angle			60 Degree Boom Angle			Jib Oper. Rad. Feet
	Jib Ang. Deg.	Jib Point Elev. Feet	Luffing Jib Capacity Pounds	Jib Ang. Deg.	Jib Point Elev. Feet	Luffing Jib Capacity Pounds	Jib Ang. Deg.	Jib Point Elev. Feet	Luffing Jib Capacity Pounds	Jib Ang. Deg.	Jib Point Elev. Feet	Luffing Jib Capacity Pounds	Jib Ang. Deg.	Jib Point Elev. Feet	Luffing Jib Capacity Pounds	Jib Ang. Deg.	Jib Point Elev. Feet	Luffing Jib Capacity Pounds	Jib Ang. Deg.	Jib Point Elev. Feet	Luffing Jib Capacity Pounds	
50	73.9	322.8	47,800 *b																			50
55	71.6	321.2	47,000 *																			55
60	69.2	319.4	46,300 *																			60
65	66.8	317.4	45,600 *																			65
70	64.4	315.1	44,600 *																			70
75	62.0	312.6	43,200 *	69.9	318.5	46,900 *																75
80	59.4	309.8	41,800 *	67.6	316.5	46,500 *																80
85	56.8	306.7	40,300 *	65.2	314.4	45,600 *																85
90	54.2	303.3	38,600 *	62.7	311.9	44,300 *	67.5	314.9	45,800 *													90
95	51.4	299.5	36,900 *	60.2	309.2	43,000 *	65.1	312.7	45,300 *													95
100	48.5	295.3	35,300 *	57.6	306.2	41,600 *	62.6	310.2	44,200 *													100
105	45.5	290.6	33,700 *	55.0	302.8	40,300 *	60.1	307.5	41,600													105
110	42.3	285.4	32,100 *	52.2	299.2	39,000 *	57.5	304.5	39,200													110
115	38.9	279.6	30,600 *	49.4	295.1	37,700 *	54.9	301.1	37,100													115
120	35.3	273.0	29,200 *	46.4	290.6	36,500 *	52.1	297.4	35,100	60.7	304.4	30,800										120
125	31.3	265.3	27,900 *	43.3	285.5	35,300 *	49.3	293.3	33,300	58.1	301.4	29,200										125
130	26.7	256.3	26,700 *	40.0	279.9	34,100	46.3	288.8	31,700	55.5	298.1	27,700										130
135	21.3	245.1	25,600 *	36.4	273.6	32,500	43.2	283.8	30,200	52.8	294.5	26,400										135
140	14.0	229.4	24,900 *	32.5	266.3	31,000	39.9	278.1	28,800	49.9	290.5	25,100										140
145				28.2	257.7	29,600	36.3	271.7	27,500	47.0	286.1	24,000	55.9	293.5	20,500							145
150				23.1	247.3	28,300	32.4	264.4	26,300	43.9	281.2	22,900	53.2	289.9	19,600							150
155				16.6	233.4	27,100	28.0	255.8	25,100	40.6	275.7	21,900	50.4	286.0	18,700							155
160				4.4	206.4	25,800	22.9	245.3	24,100	37.1	269.5	20,900	47.5	281.6	17,800							160
170							3.2	202.2	22,000	29.0	254.1	19,200	41.1	271.4	16,300	50.5	279.7	13,500				170
180										18.0	231.1	17,700	33.9	258.3	15,000	44.5	270.5	12,400				180
190													24.9	240.6	13,800	37.8	259.1	11,300	47.4	267.1	8,900	190
200													10.3	209.1	12,600	29.9	244.2	10,400	41.0	256.8	8,100	200
210																19.3	222.4	9,500	33.8	243.8	7,400	210
220																			24.8	225.9	6,700	220
230																			9.9	193.9	6,000	230



Liftcrane Luffing Jib Capacities

888 SERIES 2

Luffing Jib No. 135 On Boom No. 22EL
 179,100 Lb. Crane Counterweight
 44,000 Lb. Carbody Counterweight
 28 Ft. 2 in. Crawlers Extended
 360 Degree Rating

Designed And Tested
 With The Intent To Be In
 The Scope of ANSI B30.5

190 Ft. Boom, 140 Ft. Jib

Jib Oper. Rad. Feet	88 Degree Boom Angle			83 Degree Boom Angle			80 Degree Boom Angle			75 Degree Boom Angle			70 Degree Boom Angle			65 Degree Boom Angle			60 Degree Boom Angle			Jib Oper. Rad. Feet
	Jib Ang. Deg.	Jib Point Elev. Feet	Luffing Jib Capacity Pounds	Jib Ang. Deg.	Jib Point Elev. Feet	Luffing Jib Capacity Pounds	Jib Ang. Deg.	Jib Point Elev. Feet	Luffing Jib Capacity Pounds	Jib Ang. Deg.	Jib Point Elev. Feet	Luffing Jib Capacity Pounds	Jib Ang. Deg.	Jib Point Elev. Feet	Luffing Jib Capacity Pounds	Jib Ang. Deg.	Jib Point Elev. Feet	Luffing Jib Capacity Pounds	Jib Ang. Deg.	Jib Point Elev. Feet	Luffing Jib Capacity Pounds	
50	75.0	333.1	44,600 *b																			50
55	72.9	331.7	43,900 *																			55
60	70.8	330.1	43,300 *																			60
65	68.6	328.2	42,400 *																			65
70	66.4	326.1	41,100 *																			70
75	64.1	323.8	39,700 *																			75
80	61.8	321.3	38,300 *	69.2	327.3	43,000 *																80
85	59.5	318.5	37,000 *	67.0	325.3	41,900 *																85
90	57.1	315.4	35,700 *	64.8	323.1	40,600 *																90
95	54.6	312.0	34,400 *	62.5	320.6	39,300 *	67.0	323.6	41,300 *													95
100	52.0	308.3	33,200 *	60.2	317.8	38,000 *	64.7	321.4	40,200 *													100
105	49.4	304.2	32,000 *	57.8	314.8	36,800 *	62.4	318.9	39,100 *													105
110	46.6	299.7	30,700 *	55.3	311.5	35,500 *	60.1	316.2	38,000 *													110
115	43.8	294.7	29,400 *	52.8	307.9	34,300 *	57.7	313.1	36,700													115
120	40.7	289.2	28,100 *	50.2	303.9	33,000 *	55.3	309.8	34,800	63.0	315.7	30,400										120
125	37.5	283.0	26,900 *	47.5	299.6	31,800 *	52.7	306.2	33,000	60.6	313.0	28,800										125
130	34.0	276.1	25,800 *	44.6	294.8	30,700 *	50.1	302.2	31,300	58.3	310.1	27,300										130
135	30.1	268.1	24,700 *	41.6	289.4	29,600 *	47.4	297.8	29,800	55.8	306.8	26,000										135
140	25.7	258.7	23,700 *	38.5	283.5	28,500 *	44.5	293.0	28,400	53.3	303.3	24,700										140
145	20.5	246.9	22,800 *	35.0	276.8	27,500 *	41.5	287.6	27,100	50.7	299.4	23,600										145
150	13.5	230.6	22,200 *	31.3	269.1	26,600 *	38.4	281.7	25,900	48.0	295.1	22,500	56.2	302.2	19,100							150
155				27.1	260.2	25,700 *	34.9	274.9	24,800	45.2	290.4	21,500	53.7	298.7	18,200							155
160				22.2	249.3	24,900 *	31.2	267.2	23,800	42.2	285.1	20,600	51.1	294.8	17,400							160
170				4.3	206.8	23,500 *	22.0	247.3	21,800	35.7	272.8	18,900	45.6	285.9	15,900							170
180							3.1	202.4	20,000	28.0	256.7	17,300	39.6	275.0	14,600	48.6	284.3	11,900				180
190										17.3	232.7	16,000	32.6	261.3	13,400	42.8	274.5	10,900				190
200													24.0	242.8	12,300	36.4	262.4	10,000	45.5	271.4	7,700	200
210													9.9	210.0	11,300	28.8	246.8	9,100	39.5	260.5	6,900	210
220																18.6	224.0	8,300	32.5	246.7	6,300	220
230																			23.8	228.1	5,700	230
240																			9.6	194.8	5,000	240



Liftcrane Luffing Jib Capacities

888 SERIES 2

Luffing Jib No. 135 On Boom No. 22EL
 179,100 Lb. Crane Counterweight
 44,000 Lb. Carbody Counterweight
 28 Ft. 2 in. Crawlers Extended
 360 Degree Rating

Designed And Tested
 With The Intent To Be In
 The Scope of ANSI B30.5

190 Ft. Boom, 150 Ft. Jib

Jib Oper. Rad. Foot	88 Degree Boom Angle			83 Degree Boom Angle			80 Degree Boom Angle			75 Degree Boom Angle			70 Degree Boom Angle			65 Degree Boom Angle			60 Degree Boom Angle			Jib Oper. Rad. Foot
	Jib Ang. Deg.	Jib Point Elev. Feet	Luffing Jib Capacity Pounds	Jib Ang. Deg.	Jib Point Elev. Feet	Luffing Jib Capacity Pounds	Jib Ang. Deg.	Jib Point Elev. Feet	Luffing Jib Capacity Pounds	Jib Ang. Deg.	Jib Point Elev. Feet	Luffing Jib Capacity Pounds	Jib Ang. Deg.	Jib Point Elev. Feet	Luffing Jib Capacity Pounds	Jib Ang. Deg.	Jib Point Elev. Feet	Luffing Jib Capacity Pounds	Jib Ang. Deg.	Jib Point Elev. Feet	Luffing Jib Capacity Pounds	
55	74.1	342.1	41,100 *																			55
60	72.1	340.6	40,400 *																			60
65	70.1	338.9	39,200 *																			65
70	68.0	337.0	38,000 *																			70
75	66.0	334.9	36,700 *																			75
80	63.8	332.5	35,400 *	70.7	337.9	39,600 *																80
85	61.7	329.9	34,100 *	68.6	336.1	38,500 *																85
90	59.5	327.1	32,800 *	66.6	334.0	37,300 *																90
95	57.3	324.0	31,600 *	64.5	331.7	36,200 *																95
100	55.0	320.7	30,400 *	62.3	329.2	35,000 *	66.5	332.4	36,900 *													100
105	52.6	317.0	29,200 *	60.2	326.5	33,700 *	64.4	330.1	35,900 *													105
110	50.1	313.0	28,100 *	57.9	323.5	32,500 *	62.3	327.6	34,800 *													110
115	47.6	308.7	27,000 *	55.7	320.2	31,300 *	60.1	324.8	33,600 *													115
120	45.0	303.9	25,900 *	53.3	316.7	30,200 *	57.9	321.8	32,500 *													120
125	42.2	298.6	24,900 *	50.9	312.8	29,000 *	55.6	318.5	31,400 *	62.8	324.4	28,700										125
130	39.3	292.8	23,900 *	48.4	308.5	27,900 *	53.2	314.9	30,300 *	60.6	321.7	27,200										130
135	36.2	286.4	23,000 *	45.8	303.9	26,800 *	50.8	311.0	29,100 *	58.4	318.7	25,900										135
140	32.8	279.1	22,100 *	43.1	298.8	25,800 *	48.3	306.8	28,000 *	56.1	315.5	24,600										140
145	29.1	270.7	21,300 *	40.2	293.1	24,700 *	45.7	302.1	27,000 *	53.8	312.0	23,500										145
150	24.8	260.9	20,500 *	37.1	286.9	23,800 *	43.0	297.0	25,900	51.4	308.2	22,400										150
155	19.8	248.7	19,800 *	33.8	279.9	22,800 *	40.1	291.3	24,700	48.9	304.0	21,400	56.4	310.9	18,100							155
160	13.1	231.8	19,200 *	30.2	271.9	22,000 *	37.0	285.1	23,700	46.3	299.4	20,500	54.1	307.4	17,300							160
170				21.4	251.2	20,400 *	30.1	270.0	21,800	40.7	288.9	18,800	49.3	299.5	15,800							170
180				4.1	207.2	19,200 *	21.3	249.2	20,100	34.5	275.9	17,300	44.0	290.0	14,500	51.8	297.3	11,800				180
190							3.0	202.7	18,500	27.0	259.1	15,900	38.2	278.6	13,300	46.8	288.7	10,800				190
200										16.7	234.2	14,700	31.5	264.2	12,300	41.3	278.3	9,900				200
210													23.2	244.9	11,300	35.1	265.7	9,000	43.9	275.5	6,800	210
220													9.6	210.8	10,400	27.8	249.3	8,300	38.1	264.0	6,200	220
230																18.0	225.7	7,500	31.4	249.6	5,600	230
240																			23.0	230.2	5,000	240
250																			9.2	195.6	4,500	250



Liftcrane Luffing Jib Capacities

Luffing Jib No. 135 On Boom No. 22EL
 179,100 Lb. Crane Counterweight
 44,000 Lb. Carbody Counterweight
 28 Ft. 2 in. Crawlers Extended
 360 Degree Rating

Designed And Tested
 With The Intent To Be In
 The Scope of ANSI B30.5

888 SERIES 2

190 Ft. Boom, 160 Ft. Jib

Jib Oper. Rad. Feet	88 Degree Boom Angle			83 Degree Boom Angle			80 Degree Boom Angle			75 Degree Boom Angle			70 Degree Boom Angle			65 Degree Boom Angle			60 Degree Boom Angle			Jib Oper. Rad. Feet
	Jib Ang. Deg.	Jib Point Elev. Feet	Luffing Jib Capacity Pounds	Jib Ang. Deg.	Jib Point Elev. Feet	Luffing Jib Capacity Pounds	Jib Ang. Deg.	Jib Point Elev. Feet	Luffing Jib Capacity Pounds	Jib Ang. Deg.	Jib Point Elev. Feet	Luffing Jib Capacity Pounds	Jib Ang. Deg.	Jib Point Elev. Feet	Luffing Jib Capacity Pounds	Jib Ang. Deg.	Jib Point Elev. Feet	Luffing Jib Capacity Pounds	Jib Ang. Deg.	Jib Point Elev. Feet	Luffing Jib Capacity Pounds	
55	75.1	352.5	37,500 *																			55
60	73.2	351.1	36,800 *																			60
65	71.4	349.5	36,000 *																			65
70	69.5	347.7	34,800 *																			70
75	67.5	345.7	33,500 *																			75
80	65.6	343.6	32,300 *																			80
85	63.6	341.2	31,100 *	70.0	346.8	35,200 *																85
90	61.6	338.6	29,800 *	68.1	344.9	34,100 *																90
95	59.5	335.8	28,600 *	66.2	342.8	32,900 *																95
100	57.4	332.7	27,500 *	64.2	340.4	31,700 *																100
105	55.3	329.4	26,300 *	62.2	337.9	30,600 *	66.1	341.1	32,600 *													105
110	53.1	325.8	25,200 *	60.2	335.2	29,400 *	64.1	338.8	31,500 *													110
115	50.8	321.9	24,100 *	58.1	332.2	28,300 *	62.1	336.2	30,400 *													115
120	48.5	317.6	23,100 *	55.9	328.9	27,100 *	60.1	333.5	29,400 *													120
125	46.0	313.0	22,100 *	53.7	325.4	26,000 *	58.0	330.5	28,300 *													125
130	43.5	307.9	21,100 *	51.5	321.6	24,900 *	55.9	327.2	27,200 *	62.6	333.1	26,800										130
135	40.8	302.4	20,200 *	49.2	317.4	23,900 *	53.7	323.7	26,100 *	60.6	330.3	25,500										135
140	38.0	296.3	19,300 *	46.8	312.9	22,800 *	51.4	319.9	25,000 *	58.5	327.4	24,200										140
145	35.0	289.6	18,400 *	44.2	308.0	21,800 *	49.1	315.7	24,000 *	56.4	324.2	23,100										145
150	31.7	282.0	17,600 *	41.6	302.6	20,900 *	46.7	311.2	22,900 *	54.2	320.7	22,000										150
155	28.1	273.3	16,900 *	38.8	296.7	19,900 *	44.2	306.3	21,900 *	51.9	317.0	21,000										155
160	24.0	263.1	16,100 *	35.9	290.2	19,100 *	41.5	300.9	21,000 *	49.6	312.9	20,100	56.7	319.5	16,900							160
170	12.6	232.9	14,900 *	29.2	274.5	17,400 *	35.8	288.4	19,200 *	44.7	303.6	18,400	52.3	312.4	15,400							170
180				20.8	253.1	16,000 *	29.1	272.6	17,500 *	39.4	292.6	16,900	47.6	304.0	14,100							180
190				4.0	207.5	14,800 *	20.6	251.0	16,100 *	33.4	279.0	15,600	42.5	294.0	12,900	50.1	302.0	10,400				190
200							2.9	203.0	14,900 *	26.1	261.5	14,400	36.9	282.0	11,900	45.2	292.9	9,500				200
210										16.2	235.6	13,300	30.5	267.0	10,900	39.9	282.0	8,600	47.5	289.5	6,400	210
220													22.4	246.9	10,100	34.0	268.8	7,900	42.5	279.5	5,800	220
230													9.3	211.7	9,200	26.9	251.8	7,200	36.8	267.4	5,200	230
240																17.4	227.2	6,500	30.4	252.4	4,600	240
250																			22.3	232.2	4,100	250



Liftcrane Luffing Jib Capacities

888 SERIES 2

Luffing Jib No. 135 On Boom No. 22EL
 179,100 Lb. Crane Counterweight
 44,000 Lb. Carbody Counterweight
 28 Ft. 2 in. Crawlers Extended
 360 Degree Rating

Designed And Tested
 With The Intent To Be In
 The Scope of ANSI B30.5

190 Ft. Boom, 170 Ft. Jib

Jib Oper. Rad. Feet	88 Degree Boom Angle			83 Degree Boom Angle			80 Degree Boom Angle			75 Degree Boom Angle			70 Degree Boom Angle			65 Degree Boom Angle			60 Degree Boom Angle			Jib Oper. Rad. Feet
	Jib Ang. Deg.	Jib Point Elev. Feet	Luffing Jib Capacity Pounds	Jib Ang. Deg.	Jib Point Elev. Feet	Luffing Jib Capacity Pounds	Jib Ang. Deg.	Jib Point Elev. Feet	Luffing Jib Capacity Pounds	Jib Ang. Deg.	Jib Point Elev. Feet	Luffing Jib Capacity Pounds	Jib Ang. Deg.	Jib Point Elev. Feet	Luffing Jib Capacity Pounds	Jib Ang. Deg.	Jib Point Elev. Feet	Luffing Jib Capacity Pounds	Jib Ang. Deg.	Jib Point Elev. Feet	Luffing Jib Capacity Pounds	
55	76.0	362.8	34,000 *																			55
60	74.3	361.5	33,400 *																			60
65	72.5	360.0	32,800 *																			65
70	70.7	358.3	32,100 *																			70
75	68.9	356.5	30,900 *																			75
80	67.1	354.5	29,700 *																			80
85	65.3	352.3	28,500 *																			85
90	63.4	349.9	27,400 *	69.5	355.6	30,900 *																90
95	61.5	347.3	26,200 *	67.7	353.6	30,200 *																95
100	59.6	344.4	25,100 *	65.8	351.5	29,100 *																100
105	57.6	341.4	24,000 *	64.0	349.1	28,000 *	67.6	352.0	29,100 *													105
110	55.6	338.1	22,900 *	62.1	346.6	26,900 *	65.8	349.8	28,800 *													110
115	53.5	334.5	21,900 *	60.2	343.8	25,800 *	63.9	347.5	27,800 *													115
120	51.4	330.7	20,900 *	58.2	340.8	24,700 *	62.0	344.9	26,800 *													120
125	49.2	326.5	19,900 *	56.2	337.6	23,700 *	60.1	342.1	25,700 *													125
130	46.9	322.0	19,000 *	54.1	334.1	22,600 *	58.1	339.1	24,700 *													130
135	44.6	317.2	18,100 *	52.0	330.4	21,600 *	56.1	335.9	23,700 *	62.4	341.7	25,200										135
140	42.1	311.9	17,200 *	49.9	326.3	20,600 *	54.1	332.4	22,700 *	60.5	339.0	23,900										140
145	39.5	306.1	16,400 *	47.6	321.9	19,600 *	51.9	328.7	21,700 *	58.6	336.1	22,800										145
150	36.8	299.7	15,600 *	45.3	317.2	18,700 *	49.8	324.6	20,700 *	56.6	332.9	21,700										150
155	33.9	292.7	14,800 *	42.9	312.0	17,800 *	47.5	320.2	19,700 *	54.5	329.5	20,700										155
160	30.7	284.8	14,100 *	40.3	306.4	16,900 *	45.2	315.4	18,800 *	52.4	325.8	19,800										160
170	23.3	265.2	12,700 *	34.8	293.4	15,300 *	40.2	304.6	17,000 *	48.0	317.4	18,200	54.8	324.8	15,100							170
180	12.3	234.0	11,100 *	28.3	277.1	13,800 *	34.7	291.5	15,400 *	43.3	307.7	16,700	50.6	317.2	13,800							180
190				20.1	254.9	12,200 *	28.2	275.2	13,900 *	38.2	296.1	15,300	46.1	308.3	12,700	52.9	314.8	10,100				190
200				3.9	207.9	10,700 *	20.0	252.8	12,200 *	32.3	281.9	14,200	41.2	297.8	11,600	48.5	306.6	9,200				200
210							2.8	203.2	10,700 *	25.3	263.8	13,100	35.8	285.3	10,700	43.8	297.0	8,400				210
220										15.7	237.0	11,700 *	29.5	269.7	9,800	38.7	285.6	7,600	46.0	293.8	5,500	220
230													21.7	248.8	9,000	32.9	271.8	6,900	41.1	283.3	4,900	230
240													9.0	212.5	8,300	26.1	254.1	6,300	35.7	270.7	4,400	240
250																16.9	228.7	5,700				250



Liftcrane Luffing Jib Capacities

888 SERIES 2

Luffing Jib No. 135 On Boom No. 22EL
 179,100 Lb. Crane Counterweight
 44,000 Lb. Carbody Counterweight
 28 Ft. 2 in. Crawlers Extended
 360 Degree Rating

Designed And Tested
 With The Intent To Be In
 The Scope of ANSI B30.5

200 Ft. Boom, 100 Ft. Jib

Jib Oper. Rad. Feet	88 Degree Boom Angle			83 Degree Boom Angle			80 Degree Boom Angle			75 Degree Boom Angle			70 Degree Boom Angle			65 Degree Boom Angle			60 Degree Boom Angle			Jib Oper. Rad. Feet
	Jib Ang. Deg.	Jib Point Elev. Feet	Luffing Jib Capacity Pounds	Jib Ang. Deg.	Jib Point Elev. Feet	Luffing Jib Capacity Pounds	Jib Ang. Deg.	Jib Point Elev. Feet	Luffing Jib Capacity Pounds	Jib Ang. Deg.	Jib Point Elev. Feet	Luffing Jib Capacity Pounds	Jib Ang. Deg.	Jib Point Elev. Feet	Luffing Jib Capacity Pounds	Jib Ang. Deg.	Jib Point Elev. Feet	Luffing Jib Capacity Pounds	Jib Ang. Deg.	Jib Point Elev. Feet	Luffing Jib Capacity Pounds	
50	69.0	301.3	55,900 *b																			50
55	65.9	299.2	54,800 *b																			55
60	62.8	296.8	53,800 *																			60
65	59.5	294.0	52,800 *	70.5	300.6	57,400 *b																65
70	56.1	290.9	51,900 *	67.4	298.6	56,600 *b																70
75	52.6	287.3	50,100 *	64.3	296.4	55,900 *b																75
80	48.9	283.2	47,500 *	61.1	293.8	55,100 *	67.6	297.1	56,200 *b													80
85	45.0	278.5	45,000 *	57.7	290.9	54,400 *	64.5	294.9	54,500 b													85
90	40.7	273.1	42,700 *	54.3	287.5	53,800 *	61.3	292.3	50,800													90
95	36.1	266.8	40,500 *	50.7	283.6	50,900	58.0	289.4	47,400													95
100	30.9	259.3	38,400 *	46.8	279.3	47,800	54.5	286.1	44,500													100
105	24.8	249.8	36,600 *	42.8	274.2	45,000	50.9	282.3	41,900	62.6	289.4	36,700										105
110	16.7	236.6	35,200 *	38.4	268.4	42,400	47.1	277.9	39,500	59.3	286.7	34,600										110
115				33.5	261.5	40,100	43.1	272.9	37,300	55.9	283.5	32,700										115
120				27.9	253.1	38,000	38.7	267.1	35,400	52.4	279.9	31,000										120
125				20.9	242.1	36,100	33.8	260.3	33,600	48.7	275.7	29,400										125
130				10.3	224.2	34,200	28.3	252.0	31,900	44.7	271.0	27,900	57.0	279.1	23,900							130
135							21.5	241.3	30,400	40.5	265.6	26,500	53.5	275.6	22,800							135
140							11.3	224.3	28,900	35.8	259.2	25,300	49.8	271.7	21,700							140
145										30.6	251.6	24,100	46.0	267.2	20,600							145
150										24.4	242.0	23,000	41.9	262.0	19,700							150
155										16.1	228.5	22,000	37.4	255.9	18,800	50.6	265.7	15,600				155
160													32.3	248.7	18,000	46.8	261.3	14,900				160
170													19.1	228.0	16,400	38.3	250.4	13,600				170
180																27.8	235.1	12,400	43.1	248.4	9,900	180
190																10.1	206.0	11,300	33.8	235.8	9,000	190
200																			21.5	216.8	8,100	200



Liftcrane Luffing Jib Capacities

888 SERIES 2

Luffing Jib No. 135 On Boom No. 22EL
 179,100 Lb. Crane Counterweight
 44,000 Lb. Carbody Counterweight
 28 Ft. 2 in. Crawlers Extended
 360 Degree Rating

Designed And Tested
 With The Intent To Be In
 The Scope of ANSI B30.5

200 Ft. Boom, 110 Ft. Jib

Jib Oper. Rad. Feet	88 Degree Boom Angle			83 Degree Boom Angle			80 Degree Boom Angle			75 Degree Boom Angle			70 Degree Boom Angle			65 Degree Boom Angle			60 Degree Boom Angle			Jib Oper. Rad. Feet
	Jib Ang. Deg.	Jib Point Elev. Feet	Luffing Jib Capacity Pounds	Jib Ang. Deg.	Jib Point Elev. Feet	Luffing Jib Capacity Pounds	Jib Ang. Deg.	Jib Point Elev. Feet	Luffing Jib Capacity Pounds	Jib Ang. Deg.	Jib Point Elev. Feet	Luffing Jib Capacity Pounds	Jib Ang. Deg.	Jib Point Elev. Feet	Luffing Jib Capacity Pounds	Jib Ang. Deg.	Jib Point Elev. Feet	Luffing Jib Capacity Pounds	Jib Ang. Deg.	Jib Point Elev. Feet	Luffing Jib Capacity Pounds	
50	71.0	311.9	53,000 *b																			50
55	68.2	310.0	52,100 *b																			55
60	65.4	307.9	51,200 *																			60
65	62.5	305.5	50,400 *																			65
70	59.5	302.7	49,600 *	69.6	309.4	53,400 *b																70
75	56.5	299.6	47,500 *	66.8	307.4	52,800 *b																75
80	53.3	296.0	45,300 *	63.9	305.1	52,200 *																80
85	50.0	292.1	43,100 *	61.0	302.5	51,600 *	67.0	305.9	52,300 *b													85
90	46.5	287.6	41,000 *	57.9	299.5	51,000 *	64.1	303.6	50,700													90
95	42.8	282.5	39,000 *	54.8	296.2	50,500 *	61.2	301.0	47,400													95
100	38.8	276.7	37,000 *	51.6	292.5	47,800	58.1	298.1	44,500													100
105	34.4	270.0	35,300 *	48.1	288.2	44,900	55.0	294.8	41,800													105
110	29.5	262.0	33,600 *	44.5	283.5	42,400	51.8	291.1	39,500	62.3	298.1	34,600										110
115	23.6	252.0	32,100 *	40.7	278.0	40,100	48.4	286.9	37,300	59.4	295.3	32,700										115
120	15.9	238.1	31,000 *	36.5	271.8	38,000	44.8	282.1	35,400	56.3	292.2	30,900										120
125				31.9	264.4	36,100	41.0	276.8	33,600	53.1	288.6	29,300										125
130				26.6	255.5	34,300	36.8	270.6	31,900	49.8	284.6	27,900										130
135				20.0	243.9	32,700	32.2	263.3	30,400	46.3	280.1	26,500	57.3	287.8	22,700							135
140				9.8	225.0	31,100	26.9	254.5	29,000	42.5	275.0	25,300	54.1	284.4	21,600							140
145							20.5	243.1	27,700	38.5	269.2	24,100	50.8	280.5	20,600							145
150							10.8	225.2	26,400	34.1	262.4	23,000	47.4	276.2	19,700							150
155										29.2	254.3	22,000	43.7	271.3	18,800							155
160										23.3	244.1	21,100	39.8	265.7	18,000	51.5	274.5	14,900				160
170													30.8	251.6	16,500	44.5	265.5	13,600				170
180													18.2	229.6	15,100	36.5	253.8	12,400				180
190																26.5	237.5	11,400	41.0	252.3	9,000	190
200																9.7	206.9	10,400	32.2	238.8	8,200	200
210																			20.5	218.6	7,400	210



Liftcrane Luffing Jib Capacities

888 SERIES 2

Luffing Jib No. 135 On Boom No. 22EL
 179,100 Lb. Crane Counterweight
 44,000 Lb. Carbody Counterweight
 28 Ft. 2 in. Crawlers Extended
 360 Degree Rating

Designed And Tested
 With The Intent To Be In
 The Scope of ANSI B30.5

200 Ft. Boom, 120 Ft. Jib

Jib Oper. Rad. Feet	88 Degree Boom Angle			83 Degree Boom Angle			80 Degree Boom Angle			75 Degree Boom Angle			70 Degree Boom Angle			65 Degree Boom Angle			60 Degree Boom Angle			Jib Oper. Rad. Feet
	Jib Ang. Deg.	Jib Point Elev. Feet	Luffing Jib Capacity Pounds	Jib Ang. Deg.	Jib Point Elev. Feet	Luffing Jib Capacity Pounds	Jib Ang. Deg.	Jib Point Elev. Feet	Luffing Jib Capacity Pounds	Jib Ang. Deg.	Jib Point Elev. Feet	Luffing Jib Capacity Pounds	Jib Ang. Deg.	Jib Point Elev. Feet	Luffing Jib Capacity Pounds	Jib Ang. Deg.	Jib Point Elev. Feet	Luffing Jib Capacity Pounds	Jib Ang. Deg.	Jib Point Elev. Feet	Luffing Jib Capacity Pounds	
50	72.7	322.4	49,900 *b																			50
55	70.1	320.7	49,100 *b																			55
60	67.6	318.8	48,300 *																			60
65	65.0	316.6	47,600 *																			65
70	62.3	314.1	46,600 *																			70
75	59.6	311.3	44,700 *	68.8	318.2	49,300 *																75
80	56.8	308.2	42,800 *	66.2	316.1	48,800 *																80
85	53.9	304.8	40,900 *	63.6	313.8	48,300 *																85
90	50.8	300.9	39,100 *	60.9	311.1	47,900 *	66.4	314.6	48,300 *													90
95	47.7	296.6	37,300 *	58.1	308.2	46,700 *	63.8	312.3	47,000													95
100	44.4	291.8	35,500 *	55.3	304.9	45,300 *	61.1	309.7	44,100													100
105	40.8	286.4	33,800 *	52.3	301.2	43,900 *	58.3	306.7	41,500													105
110	37.1	280.2	32,300 *	49.2	297.2	42,100	55.5	303.5	39,100													110
115	32.9	273.0	30,800 *	46.0	292.6	39,800	52.5	299.8	36,900	62.1	306.8	32,200										115
120	28.2	264.5	29,400 *	42.6	287.5	37,700	49.4	295.8	35,000	59.4	304.0	30,500										120
125	22.6	254.0	28,200 *	38.9	281.7	35,800	46.2	291.3	33,200	56.6	300.9	28,900										125
130	15.3	239.4	27,300 *	34.9	275.0	34,100	42.8	286.2	31,600	53.7	297.4	27,500										130
135				30.5	267.2	32,500	39.2	280.4	30,100	50.7	293.5	26,100										135
140				25.4	257.8	30,900	35.2	273.8	28,700	47.5	289.2	24,900	57.5	296.4	21,200							140
145				19.1	245.6	29,500	30.8	266.1	27,400	44.2	284.3	23,800	54.6	293.1	20,200							145
150				9.4	225.9	28,200	25.8	256.8	26,200	40.6	278.8	22,700	51.6	289.3	19,200							150
155							19.6	244.9	25,000	36.8	272.6	21,700	48.5	285.1	18,400							155
160							10.3	226.2	23,900	32.6	265.4	20,700	45.3	280.5	17,600							160
170										22.3	246.1	19,000	38.1	269.2	16,100	49.2	279.2	13,200				170
180													29.5	254.3	14,700	42.5	269.5	12,000				180
190													17.4	231.2	13,500	34.9	257.0	11,000	46.2	266.8	8,500	190
200																25.4	239.8	10,100	39.2	255.9	7,700	200
210																9.3	207.7	9,200	30.8	241.6	7,000	210
220																19.6	220.4	6,300	19.6	220.4	6,300	220



Liftcrane Luffing Jib Capacities

888 SERIES 2

Luffing Jib No. 135 On Boom No. 22EL
 179,100 Lb. Crane Counterweight
 44,000 Lb. Carbody Counterweight
 28 Ft. 2 in. Crawlers Extended
 360 Degree Rating

Designed And Tested
 With The Intent To Be In
 The Scope of ANSI B30.5

200 Ft. Boom, 130 Ft. Jib

Jib Oper. Rad. Feet	88 Degree Boom Angle			83 Degree Boom Angle			80 Degree Boom Angle			75 Degree Boom Angle			70 Degree Boom Angle			65 Degree Boom Angle			60 Degree Boom Angle			Jib Oper. Rad. Feet
	Jib Ang. Deg.	Jib Point Elev. Feet	Luffing Jib Capacity Pounds	Jib Ang. Deg.	Jib Point Elev. Feet	Luffing Jib Capacity Pounds	Jib Ang. Deg.	Jib Point Elev. Feet	Luffing Jib Capacity Pounds	Jib Ang. Deg.	Jib Point Elev. Feet	Luffing Jib Capacity Pounds	Jib Ang. Deg.	Jib Point Elev. Feet	Luffing Jib Capacity Pounds	Jib Ang. Deg.	Jib Point Elev. Feet	Luffing Jib Capacity Pounds	Jib Ang. Deg.	Jib Point Elev. Feet	Luffing Jib Capacity Pounds	
50	74.0	332.9	46,800 *b																			50
55	71.7	331.3	46,100 *																			55
60	69.4	329.5	45,400 *																			60
65	67.0	327.5	44,700 *																			65
70	64.6	325.3	43,400 *																			70
75	62.1	322.8	41,900 *	70.5	328.8	46,000 *																75
80	59.6	320.0	40,300 *	68.1	327.0	45,600 *																80
85	57.0	316.9	38,700 *	65.8	324.8	45,100 *																85
90	54.3	313.5	37,100 *	63.3	322.5	44,200 *																90
95	51.6	309.7	35,500 *	60.8	319.8	42,900 *	65.9	323.3	44,600 *													95
100	48.7	305.6	34,000 *	58.3	316.9	41,700 *	63.5	321.0	43,800													100
105	45.7	300.9	32,500 *	55.6	313.6	40,400 *	61.0	318.3	41,200													105
110	42.5	295.8	31,000 *	52.9	310.0	39,100 *	58.4	315.4	38,800													110
115	39.2	290.0	29,600 *	50.1	306.0	37,900 *	55.8	312.2	36,700													115
120	35.5	283.4	28,300 *	47.2	301.6	36,700 *	53.1	308.6	34,700	62.0	315.4	30,200										120
125	31.6	275.9	27,100 *	44.1	296.7	35,500 *	50.3	304.6	33,000	59.5	312.6	28,600										125
130	27.1	267.0	26,000 *	40.8	291.3	33,900	47.4	300.3	31,300	56.9	309.5	27,200										130
135	21.7	256.0	25,000 *	37.3	285.1	32,300	44.3	295.4	29,800	54.2	306.1	25,900										135
140	14.7	240.8	24,200 *	33.5	278.1	30,800	41.0	290.0	28,500	51.4	302.3	24,600										140
145				29.3	269.9	29,400	37.6	283.9	27,200	48.5	298.1	23,500	57.7	305.1	19,900							145
150				24.4	260.0	28,100	33.8	276.9	26,000	45.5	293.4	22,400	55.0	301.8	18,900							150
155				18.3	247.2	26,900	29.6	268.8	24,800	42.4	288.3	21,400	52.3	298.1	18,100							155
160				9.0	226.7	25,700	24.8	259.1	23,800	39.0	282.4	20,500	49.5	294.0	17,300							160
170							9.9	227.0	21,800	31.3	268.2	18,800	43.4	284.5	15,800	52.9	292.1	12,900				170
180										21.4	248.0	17,300	36.5	272.6	14,500	47.1	283.7	11,700				180
190													28.3	256.8	13,300	40.8	273.3	10,700				190
200													16.8	232.7	12,200	33.5	260.1	9,800	44.3	270.9	7,400	200
210																24.3	242.0	9,000	37.6	259.4	6,700	210
220																8.9	208.5	8,100	29.6	244.3	6,100	220
230																			18.8	222.1	5,500	230



Liftcrane Luffing Jib Capacities

Luffing Jib No. 135 On Boom No. 22EL
 179,100 Lb. Crane Counterweight
 44,000 Lb. Carbody Counterweight
 28 Ft. 2 in. Crawlers Extended
 360 Degree Rating

Designed And Tested
 With The Intent To Be In
 The Scope of ANSI B30.5

888 SERIES 2

200 Ft. Boom, 140 Ft. Jib

Jib Oper. Rad. Feet	88 Degree Boom Angle			83 Degree Boom Angle			80 Degree Boom Angle			75 Degree Boom Angle			70 Degree Boom Angle			65 Degree Boom Angle			60 Degree Boom Angle			Jib Oper. Rad. Feet
	Jib Ang. Deg.	Jib Point Elev. Feet	Luffing Jib Capacity Pounds	Jib Ang. Deg.	Jib Point Elev. Feet	Luffing Jib Capacity Pounds	Jib Ang. Deg.	Jib Point Elev. Feet	Luffing Jib Capacity Pounds	Jib Ang. Deg.	Jib Point Elev. Feet	Luffing Jib Capacity Pounds	Jib Ang. Deg.	Jib Point Elev. Feet	Luffing Jib Capacity Pounds	Jib Ang. Deg.	Jib Point Elev. Feet	Luffing Jib Capacity Pounds	Jib Ang. Deg.	Jib Point Elev. Feet	Luffing Jib Capacity Pounds	
50	75.2	343.2	43,800 *b																			50
55	73.1	341.8	43,100 *																			55
60	70.9	340.2	42,500 *																			60
65	68.7	338.3	41,300 *																			65
70	66.5	336.3	40,100 *																			70
75	64.3	334.0	38,900 *																			75
80	62.0	331.5	37,600 *	69.8	337.7	42,300 *																80
85	59.6	328.7	36,300 *	67.6	335.7	41,600 *																85
90	57.2	325.6	34,900 *	65.3	333.5	40,500 *																90
95	54.8	322.2	33,600 *	63.1	331.1	39,300 *	67.7	334.2	41,100 *													95
100	52.2	318.5	32,300 *	60.8	328.5	38,100 *	65.5	332.0	40,200 *													100
105	49.6	314.5	31,000 *	58.4	325.5	36,800 *	63.2	329.6	39,100 *													105
110	46.8	310.0	29,700 *	55.9	322.3	35,600 *	60.9	327.0	38,100 *													110
115	44.0	305.1	28,500 *	53.4	318.8	34,400 *	58.5	324.1	36,300													115
120	40.9	299.6	27,300 *	50.8	314.9	33,200 *	56.1	320.9	34,400													120
125	37.7	293.5	26,100 *	48.2	310.6	32,100 *	53.6	317.3	32,600	61.8	324.1	28,200										125
130	34.2	286.6	25,000 *	45.3	305.9	30,900 *	51.0	313.5	31,000	59.5	321.3	26,800										130
135	30.4	278.7	24,000 *	42.4	300.7	29,800 *	48.3	309.2	29,500	57.1	318.2	25,400										135
140	26.1	269.4	23,100 *	39.3	294.9	28,800 *	45.5	304.6	28,100	54.6	314.8	24,200										140
145	20.9	257.9	22,200 *	35.9	288.4	27,800 *	42.6	299.4	26,800	52.1	311.1	23,100										145
150	14.1	242.0	21,600 *	32.3	281.0	26,800 *	39.5	293.7	25,600	49.4	307.0	22,000	57.9	313.8	18,500							150
155				28.2	272.4	25,900 *	36.1	287.2	24,500	46.7	302.5	21,100	55.4	310.5	17,600							155
160				23.5	262.1	25,100 *	32.5	279.9	23,500	43.8	297.6	20,100	52.9	306.9	16,800							160
170				8.7	227.5	23,400	23.8	261.2	21,600	37.5	285.9	18,500	47.6	298.5	15,400							170
180							9.6	227.9	19,800	30.1	271.0	17,000	41.7	288.4	14,100	50.8	296.9	11,300				180
190										20.6	249.9	15,600	35.1	275.8	12,900	45.3	287.9	10,300				190
200													27.2	259.3	11,900	39.2	276.9	9,400				200
210													16.1	234.2	10,900	32.2	263.0	8,600	42.6	274.9	6,300	210
220																23.4	244.1	7,800	36.1	262.7	5,700	220
230																8.6	209.2	7,100	28.5	246.9	5,100	230
240																			18.1	223.7	4,500	240



Liftcrane Luffing Jib Capacities

888 SERIES 2

Luffing Jib No. 135 On Boom No. 22EL
 179,100 Lb. Crane Counterweight
 44,000 Lb. Carbody Counterweight
 28 Ft. 2 in. Crawlers Extended
 360 Degree Rating

Designed And Tested
 With The Intent To Be In
 The Scope of ANSI B30.5

200 Ft. Boom, 150 Ft. Jib

Jib Oper. Rad. Foot	88 Degree Boom Angle			83 Degree Boom Angle			80 Degree Boom Angle			75 Degree Boom Angle			70 Degree Boom Angle			65 Degree Boom Angle			60 Degree Boom Angle			Jib Oper. Rad. Foot
	Jib Ang. Deg.	Jib Point Elev. Feet	Luffing Jib Capacity Pounds	Jib Ang. Deg.	Jib Point Elev. Feet	Luffing Jib Capacity Pounds	Jib Ang. Deg.	Jib Point Elev. Feet	Luffing Jib Capacity Pounds	Jib Ang. Deg.	Jib Point Elev. Feet	Luffing Jib Capacity Pounds	Jib Ang. Deg.	Jib Point Elev. Feet	Luffing Jib Capacity Pounds	Jib Ang. Deg.	Jib Point Elev. Feet	Luffing Jib Capacity Pounds	Jib Ang. Deg.	Jib Point Elev. Feet	Luffing Jib Capacity Pounds	
55	74.2	352.2	39,800 *																			55
60	72.2	350.7	38,900 *																			60
65	70.2	349.0	38,000 *																			65
70	68.2	347.1	37,000 *																			70
75	66.1	345.0	36,000 *																			75
80	64.0	342.7	35,000 *																			80
85	61.8	340.1	33,900 *	69.1	346.5	38,300 *																85
90	59.7	337.3	32,700 *	67.1	344.5	37,200 *																90
95	57.4	334.3	31,500 *	65.0	342.3	36,100 *																95
100	55.1	330.9	30,400 *	62.9	339.8	35,000 *	67.2	343.0	36,800 *													100
105	52.8	327.3	29,200 *	60.7	337.1	33,800 *	65.1	340.7	35,900 *													105
110	50.3	323.3	28,100 *	58.5	334.2	32,700 *	63.0	338.3	34,900 *													110
115	47.8	319.0	27,000 *	56.2	331.0	31,500 *	60.9	335.6	33,800 *													115
120	45.2	314.2	26,000 *	53.9	327.5	30,400 *	58.6	332.7	32,800 *													120
125	42.4	309.0	25,000 *	51.5	323.7	29,200 *	56.4	329.5	31,700 *													125
130	39.5	303.2	24,000 *	49.0	319.5	28,100 *	54.1	326.1	30,600 *	61.7	332.8	26,700										130
135	36.4	296.8	23,100 *	46.4	315.0	27,100 *	51.7	322.3	29,400	59.5	330.0	25,300										135
140	33.0	289.6	22,200 *	43.7	310.0	26,000 *	49.2	318.2	28,000	57.3	326.9	24,100										140
145	29.3	281.3	21,400 *	40.9	304.5	25,000 *	46.6	313.6	26,700	55.0	323.5	23,000										145
150	25.2	271.6	20,600 *	37.9	298.4	24,000 *	43.9	308.7	25,600	52.6	319.9	21,900										150
155	20.2	259.7	19,900 *	34.7	291.6	23,100 *	41.1	303.2	24,400	50.2	315.9	21,000	58.0	322.4	17,500							155
160	13.6	243.2	19,300 *	31.1	283.9	22,200 *	38.1	297.2	23,400	47.6	311.5	20,000	55.7	319.2	16,700							160
170				22.7	264.2	20,600 *	31.4	282.8	21,500	42.2	301.5	18,400	51.0	311.7	15,300							170
180				8.4	228.2	19,300 *	23.0	263.3	19,800	36.2	289.2	16,900	45.8	302.9	14,000							180
190							9.2	228.7	18,300	29.1	273.6	15,600	40.3	292.2	12,800	49.0	301.6	10,200				190
200										19.9	251.7	14,400	33.9	278.9	11,800	43.7	292.0	9,300				200
210													26.3	261.7	10,900	37.9	280.4	8,500	46.6	289.1	6,200	210
220													15.6	235.6	10,000	31.1	265.9	7,800	41.1	278.7	5,600	220
230																22.6	246.1	7,100	34.9	265.9	5,000	230
240																8.3	210.0	6,400	27.5	249.4	4,500	240
250																			17.5	225.3	4,000	250

S/N: 8885093



Liftcrane Luffing Jib Capacities

Luffing Jib No. 135 On Boom No. 22EL
 179,100 Lb. Crane Counterweight
 44,000 Lb. Carbody Counterweight
 28 Ft. 2 in. Crawlers Extended
 360 Degree Rating

Designed And Tested
 With The Intent To Be In
 The Scope of ANSI B30.5

888 SERIES 2

200 Ft. Boom, 160 Ft. Jib

Jib Oper. Rad. Feet	88 Degree Boom Angle			83 Degree Boom Angle			80 Degree Boom Angle			75 Degree Boom Angle			70 Degree Boom Angle			65 Degree Boom Angle			60 Degree Boom Angle			Jib Oper. Rad. Feet
	Jib Ang. Deg.	Jib Point Elev. Feet	Luffing Jib Capacity Pounds	Jib Ang. Deg.	Jib Point Elev. Feet	Luffing Jib Capacity Pounds	Jib Ang. Deg.	Jib Point Elev. Feet	Luffing Jib Capacity Pounds	Jib Ang. Deg.	Jib Point Elev. Feet	Luffing Jib Capacity Pounds	Jib Ang. Deg.	Jib Point Elev. Feet	Luffing Jib Capacity Pounds	Jib Ang. Deg.	Jib Point Elev. Feet	Luffing Jib Capacity Pounds	Jib Ang. Deg.	Jib Point Elev. Feet	Luffing Jib Capacity Pounds	
55	75.2	362.6	36,100 *																			55
60	73.4	361.2	35,400 *																			60
65	71.5	359.6	34,700 *																			65
70	69.6	357.8	33,900 *																			70
75	67.7	355.9	33,100 *																			75
80	65.7	353.7	32,100 *																			80
85	63.7	351.4	30,900 *	70.5	357.1	34,400 *																85
90	61.7	348.8	29,800 *	68.6	355.3	34,000 *																90
95	59.7	346.0	28,600 *	66.7	353.2	32,900 *																95
100	57.6	342.9	27,500 *	64.7	351.0	31,800 *																100
105	55.4	339.6	26,300 *	62.7	348.5	30,700 *	66.8	351.7	32,200 *													105
110	53.2	336.0	25,200 *	60.7	345.8	29,600 *	64.8	349.4	31,600 *													110
115	51.0	332.1	24,200 *	58.6	342.9	28,500 *	62.8	347.0	30,600 *													115
120	48.6	327.9	23,200 *	56.5	339.7	27,300 *	60.8	344.3	29,600 *													120
125	46.2	323.3	22,200 *	54.3	336.2	26,200 *	58.7	341.4	28,600 *													125
130	43.6	318.3	21,200 *	52.1	332.5	25,200 *	56.6	338.2	27,500 *													130
135	41.0	312.8	20,300 *	49.7	328.4	24,100 *	54.4	334.8	26,400 *	61.6	341.4	24,900										135
140	38.2	306.8	19,400 *	47.4	324.0	23,100 *	52.2	331.1	25,400 *	59.6	338.6	23,700										140
145	35.2	300.1	18,500 *	44.9	319.2	22,100 *	49.9	327.0	24,300 *	57.5	335.6	22,600										145
150	31.9	292.5	17,700 *	42.3	313.9	21,100 *	47.5	322.6	23,300 *	55.3	332.2	21,500										150
155	28.4	283.9	17,000 *	39.5	308.2	20,200 *	45.0	317.9	22,300 *	53.1	328.6	20,600										155
160	24.3	273.8	16,200 *	36.6	301.8	19,300 *	42.5	312.6	21,400 *	50.8	324.7	19,700										160
170	13.2	244.4	15,000 *	30.1	286.6	17,700 *	36.8	300.6	19,600 *	46.0	315.8	18,000	53.8	324.4	14,900							170
180				22.0	266.1	16,200 *	30.4	285.5	17,900 *	40.8	305.3	16,500	49.2	316.4	13,600							180
190				8.1	228.9	15,000 *	22.3	265.3	16,400 *	35.0	292.4	15,200	44.3	307.0	12,500	52.0	314.5	9,700				190
200							8.9	229.5	15,100 *	28.2	276.2	14,000	38.9	295.8	11,400	47.3	306.0	8,900				200
210										19.2	253.4	13,000	32.8	281.9	10,500	42.2	296.0	8,100				210
220													25.4	264.0	9,600	36.6	283.8	7,400	45.0	293.4	5,100	220
230													15.1	236.9	8,800	30.1	268.6	6,700	39.7	282.4	4,600	230
240																21.9	248.1	6,100	33.7	269.0	4,100	240
250																8.0	210.7	5,500				250



Liftcrane Luffing Jib Capacities

888 SERIES 2

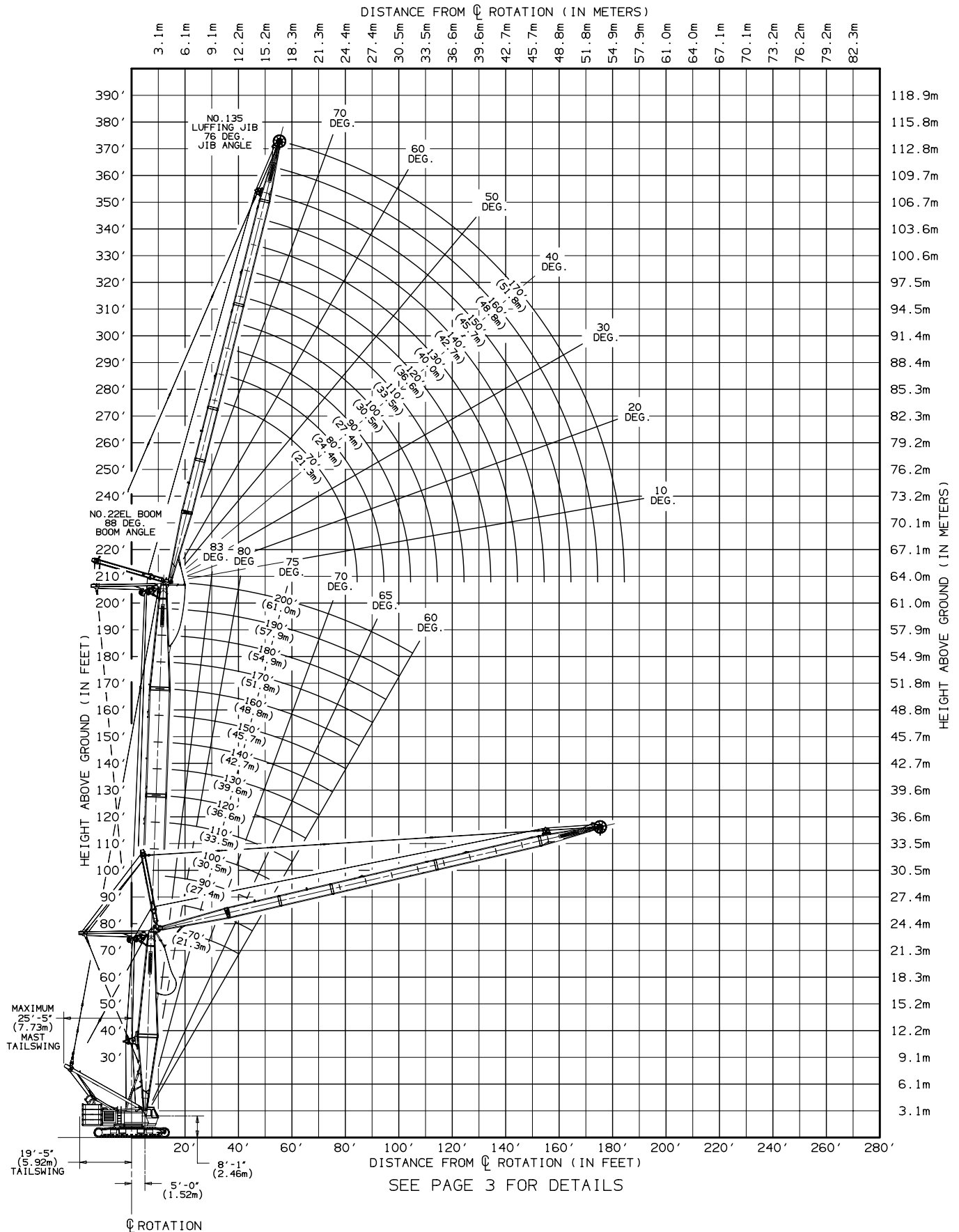
Luffing Jib No. 135 On Boom No. 22EL
 179,100 Lb. Crane Counterweight
 44,000 Lb. Carbody Counterweight
 28 Ft. 2 in. Crawlers Extended
 360 Degree Rating

Designed And Tested
 With The Intent To Be In
 The Scope of ANSI B30.5

200 Ft. Boom, 170 Ft. Jib

Jib Oper. Rad. Feet	88 Degree Boom Angle			83 Degree Boom Angle			80 Degree Boom Angle			75 Degree Boom Angle			70 Degree Boom Angle			65 Degree Boom Angle			Jib Oper. Rad. Feet
	Jib Ang. Deg.	Jib Point Elev. Feet	Luffing Jib Capacity Pounds	Jib Ang. Deg.	Jib Point Elev. Feet	Luffing Jib Capacity Pounds	Jib Ang. Deg.	Jib Point Elev. Feet	Luffing Jib Capacity Pounds	Jib Ang. Deg.	Jib Point Elev. Feet	Luffing Jib Capacity Pounds	Jib Ang. Deg.	Jib Point Elev. Feet	Luffing Jib Capacity Pounds	Jib Ang. Deg.	Jib Point Elev. Feet	Luffing Jib Capacity Pounds	
60	74.4	371.6	32,300 *																60
65	72.6	370.1	31,700 *																65
70	70.8	368.5	31,000 *																70
75	69.1	366.6	30,400 *																75
80	67.2	364.6	29,600 *																80
85	65.4	362.4	28,400 *																85
90	63.5	360.0	27,300 *	69.9	366.0	30,200 *													90
95	61.6	357.5	26,200 *	68.1	364.0	29,900 *													95
100	59.7	354.6	25,100 *	66.3	361.9	29,200 *													100
105	57.7	351.6	24,000 *	64.4	359.6	28,100 *													105
110	55.7	348.3	23,000 *	62.5	357.2	27,000 *	66.4	360.4	28,300 *										110
115	53.6	344.8	22,000 *	60.6	354.4	26,000 *	64.5	358.1	28,000 *										115
120	51.5	341.0	21,000 *	58.7	351.5	24,900 *	62.7	355.7	27,000 *										120
125	49.3	336.8	20,000 *	56.7	348.4	23,900 *	60.8	353.0	26,000 *										125
130	47.1	332.4	19,000 *	54.6	344.9	22,800 *	58.8	350.1	25,000 *										130
135	44.7	327.5	18,100 *	52.5	341.2	21,800 *	56.8	346.9	24,000 *										135
140	42.3	322.2	17,300 *	50.4	337.3	20,800 *	54.8	343.5	23,000 *	61.5	350.1	23,400							140
145	39.7	316.5	16,400 *	48.2	333.0	19,900 *	52.7	339.8	22,000 *	59.6	347.3	22,300							145
150	37.0	310.2	15,700 *	45.9	328.3	18,900 *	50.5	335.9	21,000 *	57.6	344.2	21,300							150
155	34.1	303.2	14,900 *	43.5	323.2	18,000 *	48.3	331.6	20,100 *	55.6	340.9	20,300							155
160	31.0	295.3	14,200 *	41.0	317.7	17,200 *	46.0	327.0	19,200 *	53.5	337.4	19,400							160
170	23.6	276.0	12,800 *	35.5	305.0	15,600 *	41.1	316.5	17,400 *	49.2	329.4	17,700	56.2	336.6	14,600				170
180	12.8	245.5	11,200 *	29.2	289.2	14,100 *	35.7	303.8	15,800 *	44.6	320.0	16,300	52.1	329.3	13,300				180
190				21.3	268.0	12,500 *	29.4	288.2	14,300 *	39.6	308.9	15,000	47.7	320.9	12,200				190
200				7.9	229.6	10,900 *	21.6	267.2	12,600 *	33.9	295.5	13,800	42.9	311.0	11,200	50.4	319.3	8,600	200
210							8.7	230.3	11,000 *	27.3	278.6	12,700	37.7	299.2	10,200	45.8	310.3	7,800	210
220										18.7	255.1	11,800	31.8	284.8	9,400	40.9	299.8	7,100	220
230													24.7	266.2	8,600	35.5	287.0	6,400	230
240													14.6	238.2	7,900	29.2	271.2	5,800	240
250																21.3	250.0	5,200	250
260																7.8	211.4	4,700	260

MANITOWOC CRANES, INC.

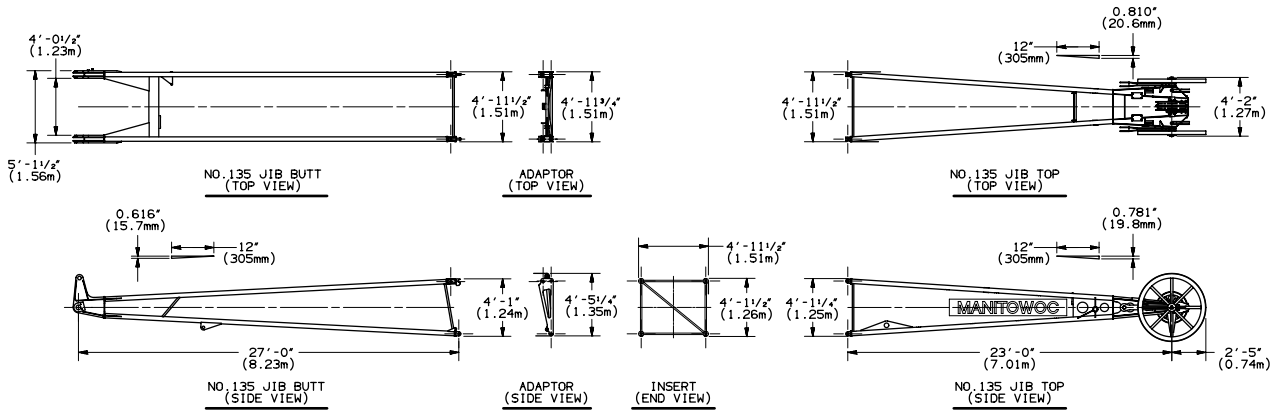


RANGE DIAGRAM - 888 SERIES 1 & 888 SERIES 2 (#22EL BOOM & #135 LUFFING JIB)

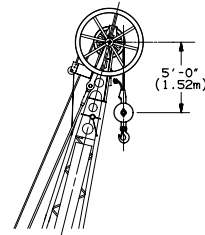
S/N: 8885093

177711-1
03-18-99

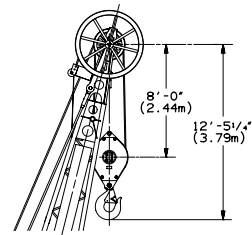
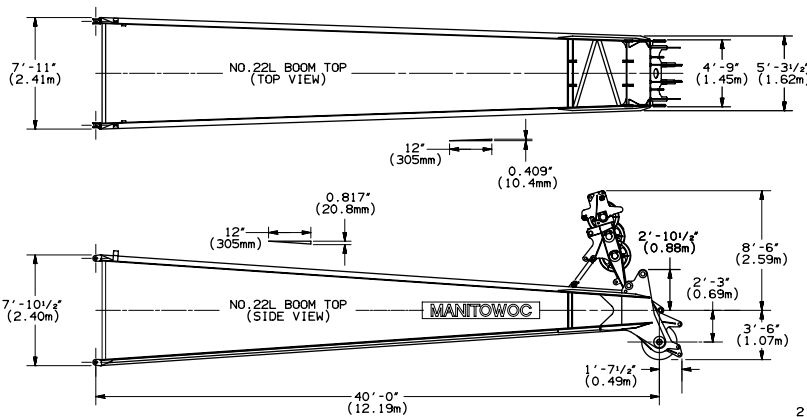
MANITOWOC CRANES, INC.



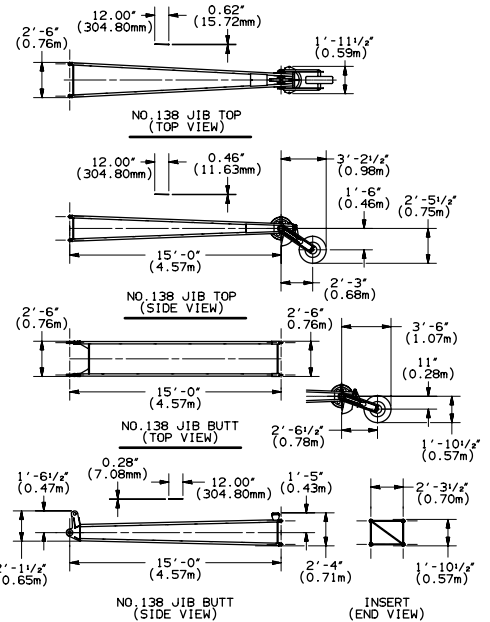
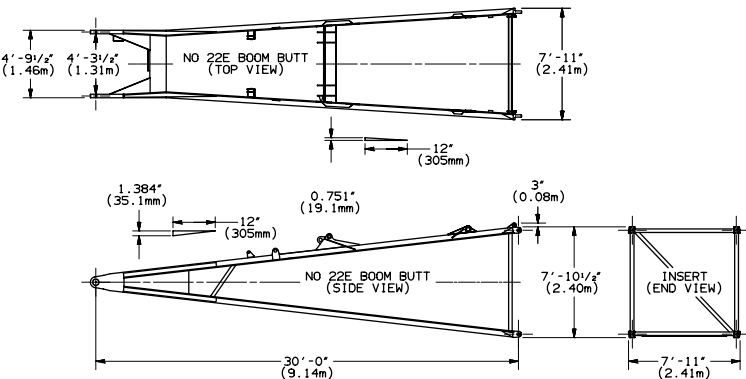
- NOTE 1: THIS DRAWING IS INTENDED ONLY AS A GUIDE TO ASSIST IN JOB PLANNING.
- NOTE 2: FOR PLANNING A LIFT, THIS DRAWING IS TO BE USED IN CONJUNCTION WITH APPROPRIATE CAPACITY CHARTS, RANGE CHART, WIRE ROPE SPECIFICATIONS, RIGGING DRAWING, AND OUTLINE DIMENSIONS.
- NOTE 3: FOR PLANNING LIFTS WHERE CLEARANCES ARE LIMITED AND ACCURACY IS DESIRED, A DETAILED LAYOUT SHOULD BE PREPARED.
- NOTE 4: WHEN EQUIPPED WITH BLOCK-UP LIMIT CONTROL, LOAD BLOCK TO BOOM POINT/JIB POINT MINIMUM DISTANCE MAY BE MORE THAN INDICATED. SEE OPERATOR'S MANUAL FOR "BLOCK-UP LIMIT CONTROL".
- NOTE 5: MAXIMUM BOOM ANGLE 88 DEGREES FOR NO.22EL BOOM WITH NO.135 LUFFING JIB. MAXIMUM JIB ANGLE 76 DEGREES FOR NO.135 LUFFING JIB WITH 170 FT. BOOM AT 88 DEGREE BOOM ANGLE. SEE CAPACITY CHARTS FOR MAXIMUM LUFFING JIB ANGLES FOR SHORTER BOOM CONFIGURATIONS.
- NOTE 6: MAXIMUM BOOM AND BOOM AND JIB LENGTHS SHOWN ON SHEET 1 ARE FOR MACHINE EQUIPPED WITH SERIES 2 COUNTERWEIGHT. IN ALL CASES, REFER TO CRANE BOOM RIGGING OR CAPACITY CHART FOR MAXIMUM LENGTHS.



15 US TON (14 METRIC TON)
SWIVEL HOOK & WEIGHT BALL
TO JIB POINT MINIMUM DISTANCE
NO.135 JIB - SINGLE PART LINE



60 US TON (54.54 METRIC TON)
BLOCK TO JIB POINT
MINIMUM DISTANCE
NO.135 JIB - 4 PARTS OF LINE
MINIMUM DISTANCE MEASUREMENTS FROM MANITOWOC
LOAD BLOCK TO JIB POINT SHOWN ABOVE BASED ON
76 DEGREE JIB ANGLE AND PHYSICAL LIMITATIONS.



S/N: 8885093

S/N: 8885093